

PM6017

TURBOPRO 3.0
FLAIL MOWER

PARTS MANUAL
ISSUE 1

IMPORTANT

NOTE HERE THE SERIAL NUMBER OF YOUR MACHINE AND ALWAYS QUOTE IT IN ANY COMMUNICATION WITH US OR YOUR DEALER. THIS IS PARTICULARLY IMPORTANT WHEN ORDERING SPARES. REMEMBER TO INCLUDE ALL NUMBERS AND LETTERS.

MACHINE SERIAL NUMBERS _____

THE INFORMATION GIVEN THROUGHOUT THIS MANUAL IS CORRECT AT THE TIME OF PUBLICATION. HOWEVER, IN THE COURSE OF CONSTANT DEVELOPMENT OF BOMFORD TURNER MACHINES, CHANGES IN SPECIFICATION ARE INEVITABLE. SHOULD YOU FIND THE INFORMATION GIVEN IN THIS BOOK TO BE AT VARIANCE WITH THE MACHINE IN YOUR POSSESSION, YOU ARE ADVISED TO CONTACT THE BOMFORD TURNER SERVICE DEPARTMENT WHERE UP-TO-DATE INFORMATION WILL BE PROVIDED.

THE MANUAL CAN CONTAIN STANDARD AND OPTIONAL FEATURES AND IS NOT TO BE USED AS A MACHINE SPECIFICATION.

THE MACHINE HAS BEEN TESTED AND IS CONSIDERED SAFE IF CAREFULLY USED. ENSURE YOUR OPERATOR IS PROPERLY TRAINED IN ITS USE AND MAINTENANCE.

IMPORTANT

NOTEZ ICI LES NUMEROS DE SERIE DE VOTRE MACHINE ET MENTIONNEZ LES DANS TOUTE COMMUNICATION AVEC NOS SERVICES OU VOTRE REVENDEUR. CECI EST IMPORTANT POUR LA COMMANDE DE PIECES DETACHEES. PENSEZ A NOTER TOUS LES NUMEROS ET TOUTES LES LETTERS.

NUMEROS DE SERIE DE LA MACHINE _____

LES INFORMATIONS DONNEES DANS CE MANUEL SONT CORRECTES CEPENDANT, DU FAIT DE DEVELOPPEMENT CONSTANT DES MACHINES BOMFORD TURNER.

CHANGEMENTS DANS LES CARACTERISTIQUES SONT INEVITABLES.

SI VOUS TROUVEZ QUE LES INFORMATIONS DONNEES NE CORRESPONDENT PAS A VOTRE MACHINE VEUILLEZ CONTACTER LE SERVICE DES REPARATIONS OU DES INFORMATIONS PLUS RECENTES VOUS SERONT DONNEES.

CE MANUEL PEUT MONTRER DES CARACTERISTIQUES OPTIONNELLES ET NE PEUT PAS ETRE CONSIDERE COMME SPECIFICATION DE LA MACHINE.

CETTE MACHINE A ETE TESTEE, ET ELLE EST CONSIDEREE COMME FIABLE A CONDITION D'UNE BONNE UTILISATION. ASSUREZ-VOUS QUE VOTRE OPERATEUR EST QUALIFIE EN CE QUI CONCERNE L'UTILISATION DE LA MACHINE AINSI QUE SON ENTRETIEN.

WICHTIG

TRAGEN SIE HIER DIE SERIENNUMMERN IHRER MASCHINE EIN UND GEBEN SIE DIESE IMMER AN, WENN SIE SICH AN UNS ODER IHREN HÄNDLER WENDEN. DAS IST BESONDERS BEI ERSATZTEILBESTELLUNGEN WICHTIG. VERGESSEN SIE NICHT, ALLE ZAHLEN UND BUCHSTABEN ZU NOTIEREN.

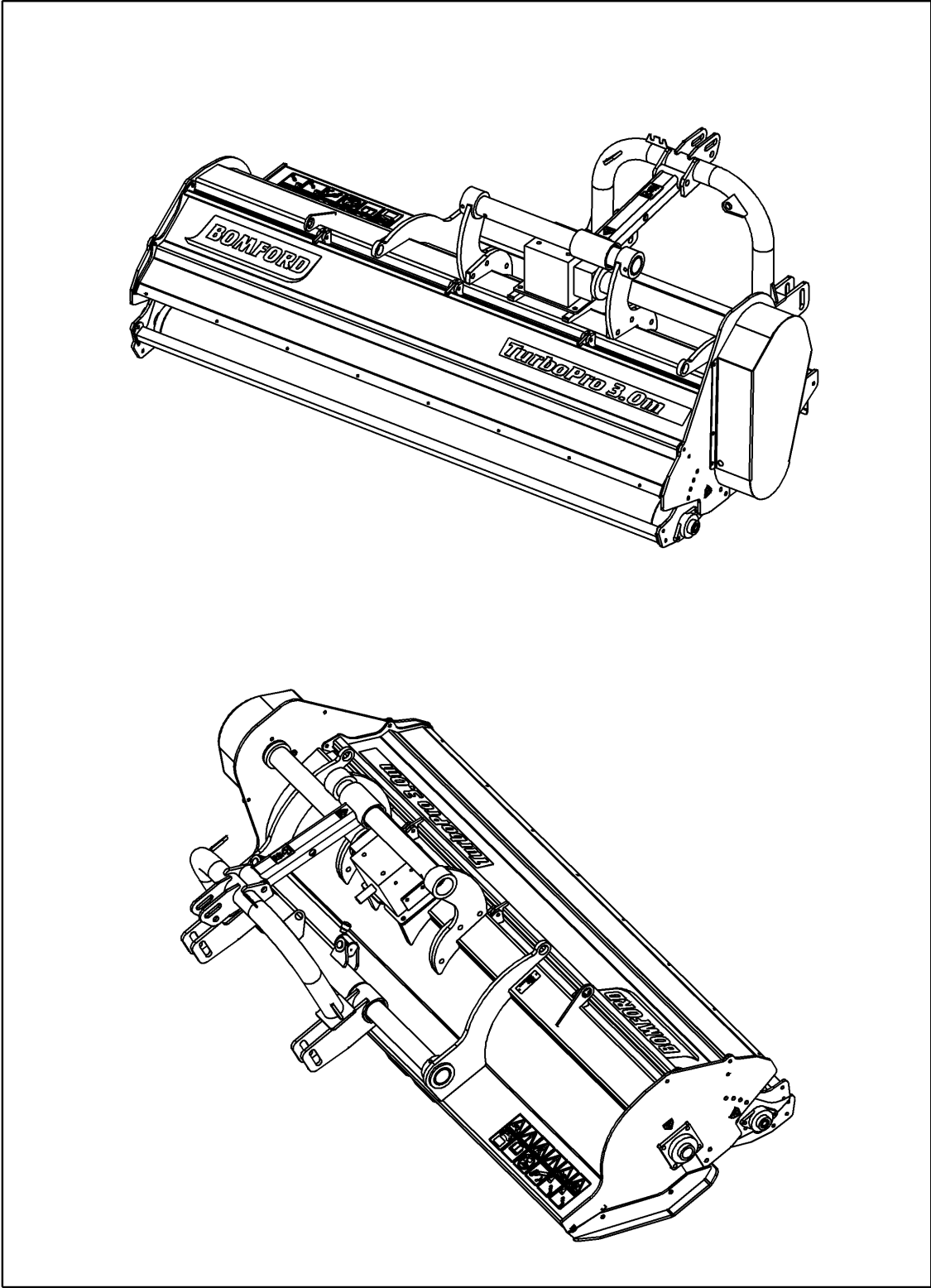
SERIENNUMMERN DER MASCHINE _____

DIE ANGABEN INDIESEM HANDBUCH SIND BEI VERÖFFENTLICHUNG KORREKT. AUFGRUND DER KONSTANTEN WEITERENTWICKLUNG VON BOMFORD TURNER MASCHINEN SIND JEDOCHÄNDERUGDEN IN DER SPEZIFIKATION UNVERMEIDLICH. WENN DIE INFORMATION IN DIESEM HANDBUCH NICHT MIT IHRER MASCHINE ÜBEREINSTIMMEN, NEHMEN SIE BITTE KONTAKT MIT DER BOMFORD TURNER KUNDENDIENSTABTEILUNG AUF, DIE IHNEN GERNE DIE AKTUELLEN INFORMATION ZUKOMMEN LÄSST.

DAS HANDBUCH KANN SOWOHL BESCHREIBUNGEN FÜR DIE STANDARD AUSFÜHRUNG ALS AUCH FÜR ZUBEHÖR ENTHALTEN UND IST NICHT ALS MASCHINENSPEZIFIKATION ZU VERWENDET.

DIE MASCHINE IST GETESTET UND BEI SACHGEMÄSSEM BETRIEB ALS SICHER BEFUNDEN WORDEN. SORGEN SIE DAFÜR, DASS IHR BEDIENPERSONAL IN ANWENDUNG UND WARTUNG RICHTIG GESCHULT WIRD.

TURBOPRO 3000
91.013.30



TURBOPRO 3.0 PARTS MANUAL

PAGE ILLUSTRATION NUMBERS SHOWN ARE USED ONLY FOR REFERENCE PURPOSES AND SHOULD NOT BE USED FOR ORDERING SPARE PARTS. PLEASE ENSURE THE CORRECT PART NUMBER AND DESCRIPTION IS GIVEN WHEN ORDERING SPARE PARTS.

For Machines with Serial Numbers commencing from

SECTION NO	DESCRIPTION
2	COWL ASSY
3	RAM ASSY
4	ROLLER ASSY
5	ROTOR SHAFT ASSY
6	GEARBOX / PULLEY / PTO DRIVE ASSY
7	A-FRAME ASSY
8	DECALS

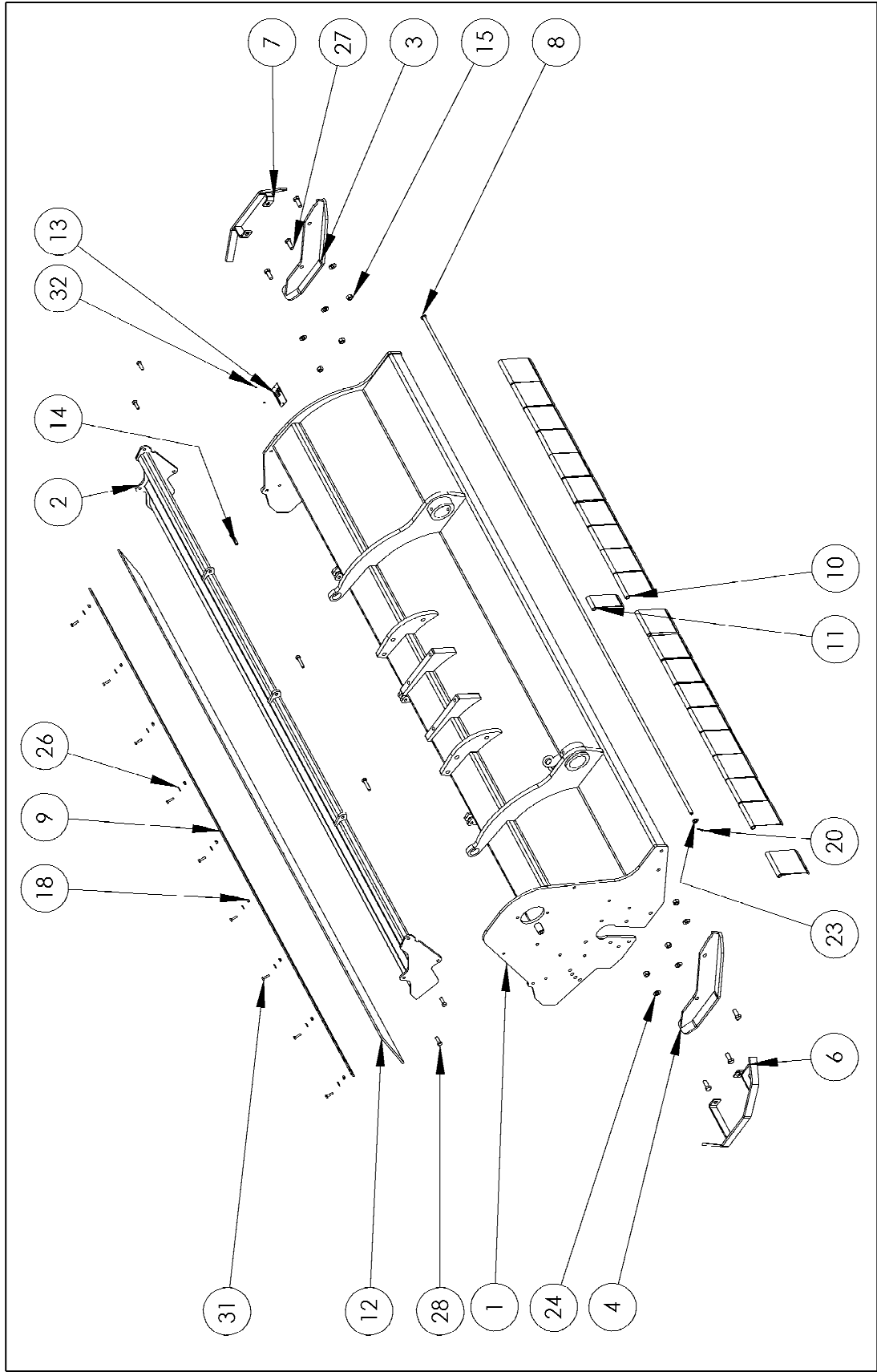
IMPORTANT

THIS MACHINE IS FOR VEGETATION CONTROL AND MUST NOT BE USED FOR ANY OTHER PURPOSE.

IT IS POTENTIALLY HAZARDOUS TO FIT OR USE ANY PARTS OTHER THAN GENUINE BOMFORD TURNER PARTS.

THE COMPANY DISCLAIMS ALL LIABILITY FOR THE CONSEQUENCES OF SUCH USE WHICH, IN ADDITION, VOIDS THE MACHINE WARRANTY.

COWL ASSY
77.323.01 REV: A



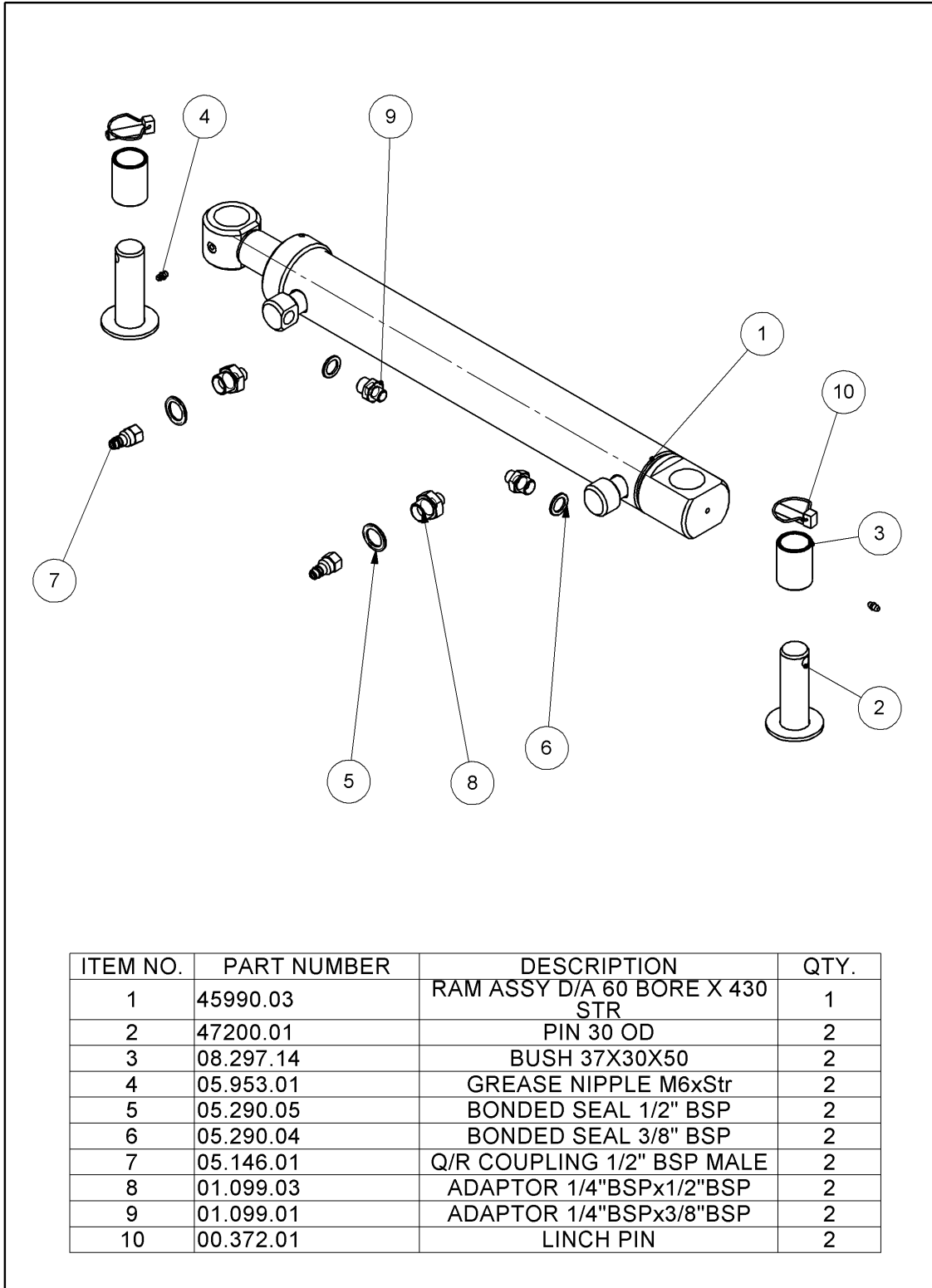
COWL ASSY

77.323.01 REV : A

ITEM NO.	PART NUMBER	Descr.	QTY
1	46993.01	COWL	1
2	46996.01	FLAP - REAR	1
3	47030.01	SKID LH	1
4	47030.02	SKID RH	1
5	47042.01	PLATE	6
6	47043.01	SKID	1
7	47051.01	SKID	1
8	47052.01	PIN	1
9	47053.01	FLAT	1
10	47093.01	PLATE	20
11	47093.02	PLATE	1
12	1061292	REAR GUARD	1
13	05.774.07	SERIAL PLATE	1
14	05.291.26	METRIC BOLT - 30 TO 75 LONG	3
15	05.287.04	METRIC SELF-LOCKING NUT	6
16	05.287.03	METRIC SELF-LOCKING NUT	5
17	05.287.02	METRIC SELF-LOCKING NUT	9
18	05.287.01	METRIC SELF-LOCKING NUT	9
19	05.286.03	METRIC NUT	4
20	05.284.01	SPLIT COTTER INDEX	1
21	05.282.03	SPRING WASHER	4
22	05.282.02	SPRING WASHER	9
23	05.281.14	FLAT WASHER	1
24	05.281.04	FLAT WASHER	6
25	05.281.03	FLAT WASHER	5
26	05.281.01	FLAT WASHER	9
27	05.264.35	METRIC SETSCREW	6
28	05.264.24	METRIC SETSCREW	4
29	05.264.12	METRIC SETSCREW	9
30	05.264.11	METRIC SETSCREW	9
31	05.264.03	METRIC SETSCREW	9
32	05.227.01	HAMMER DRIVE SCREW	2

RAM ASSY

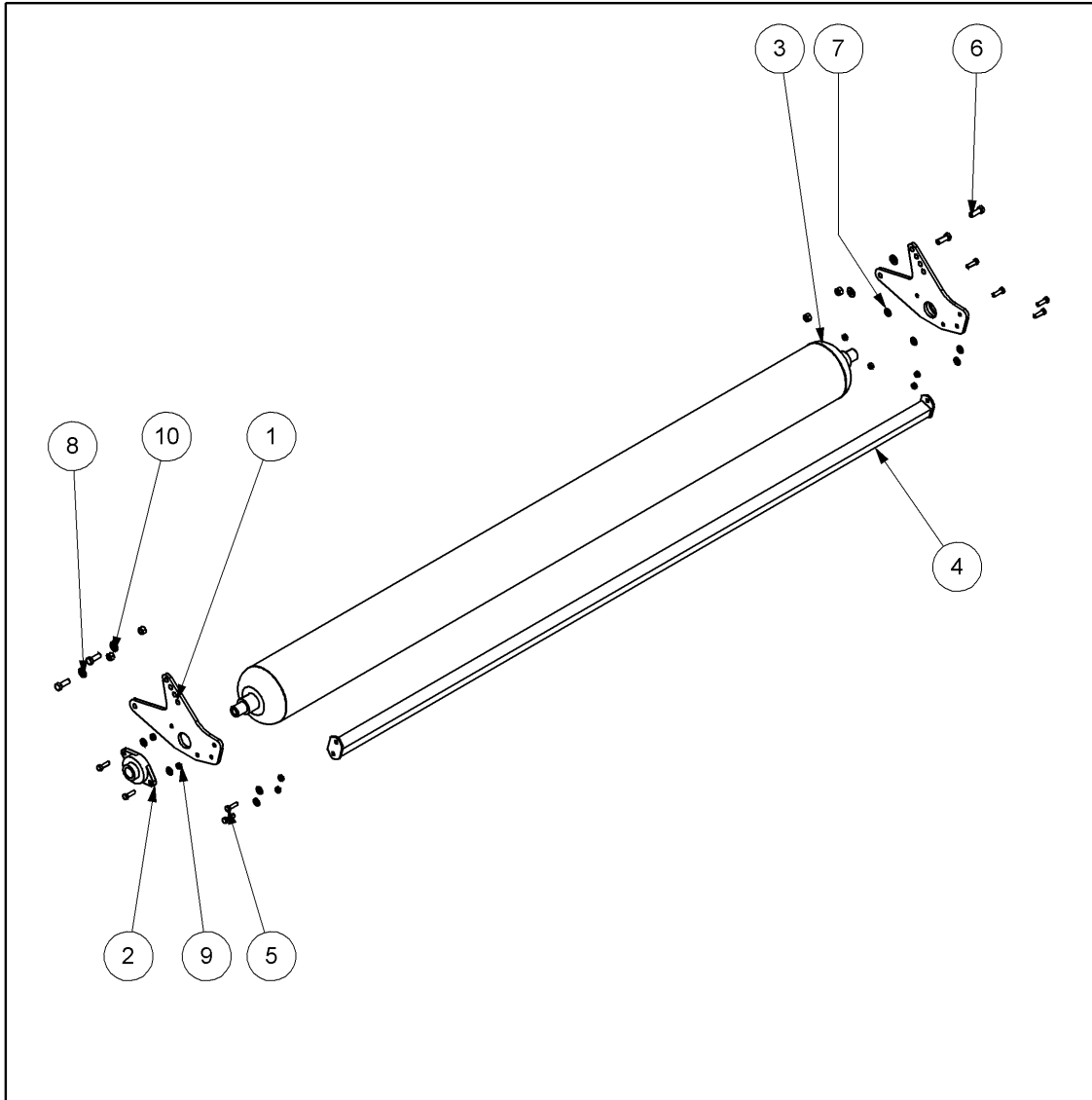
77.338.01 REV : A



ITEM NO.	PART NUMBER	DESCRIPTION	QTY.
1	45990.03	RAM ASSY D/A 60 BORE X 430 STR	1
2	47200.01	PIN 30 OD	2
3	08.297.14	BUSH 37X30X50	2
4	05.953.01	GREASE NIPPLE M6xStr	2
5	05.290.05	BONDED SEAL 1/2" BSP	2
6	05.290.04	BONDED SEAL 3/8" BSP	2
7	05.146.01	Q/R COUPLING 1/2" BSP MALE	2
8	01.099.03	ADAPTOR 1/4"BSPx1/2"BSP	2
9	01.099.01	ADAPTOR 1/4"BSPx3/8"BSP	2
10	00.372.01	LINCH PIN	2

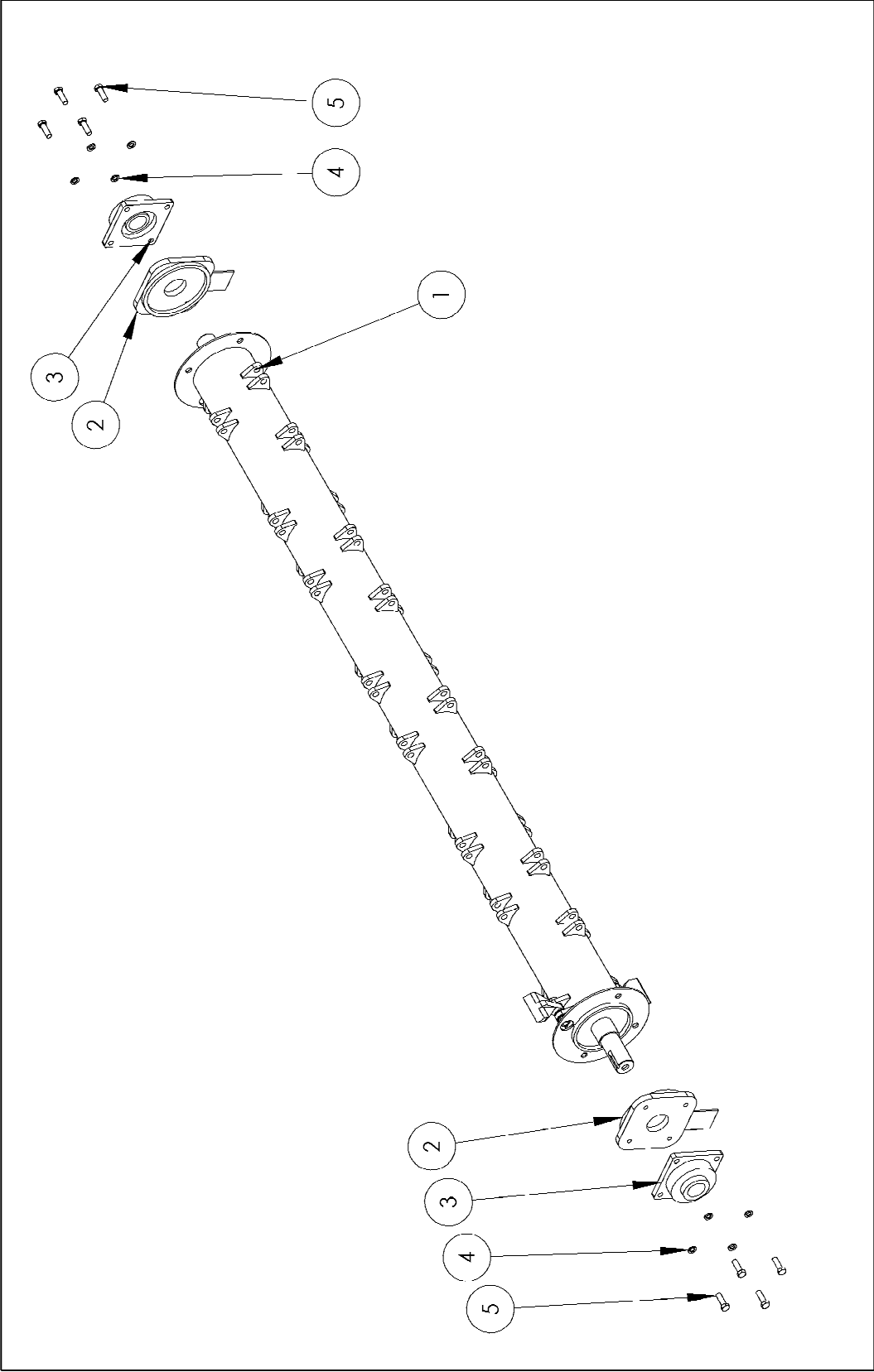
ROLLER ASSY 3000

77.327.01 REV : A



ITEM NO.	PART NUMBER	DESCRIPTION	QTY.
1	47033.01	BRACKET ROLLER	2
2	1061283	BEARING	2
3	47026.01	ROLLER	1
4	47036.01	SCRAPER	1
5	05.264.25	SETSCREW M12x40	8
6	05.264.36	SETSCREW M16x45	4
7	05.281.03	FLAT WASHER M12	8
8	05.281.04	FLAT WASHER M16	4
9	05.287.03	SELF-LOCKING NUT M12	8
10	05.287.04	SELF-LOCKING NUT M16	4

ROTOR SHAFT ASSY 3000
77.326.01 REV: A

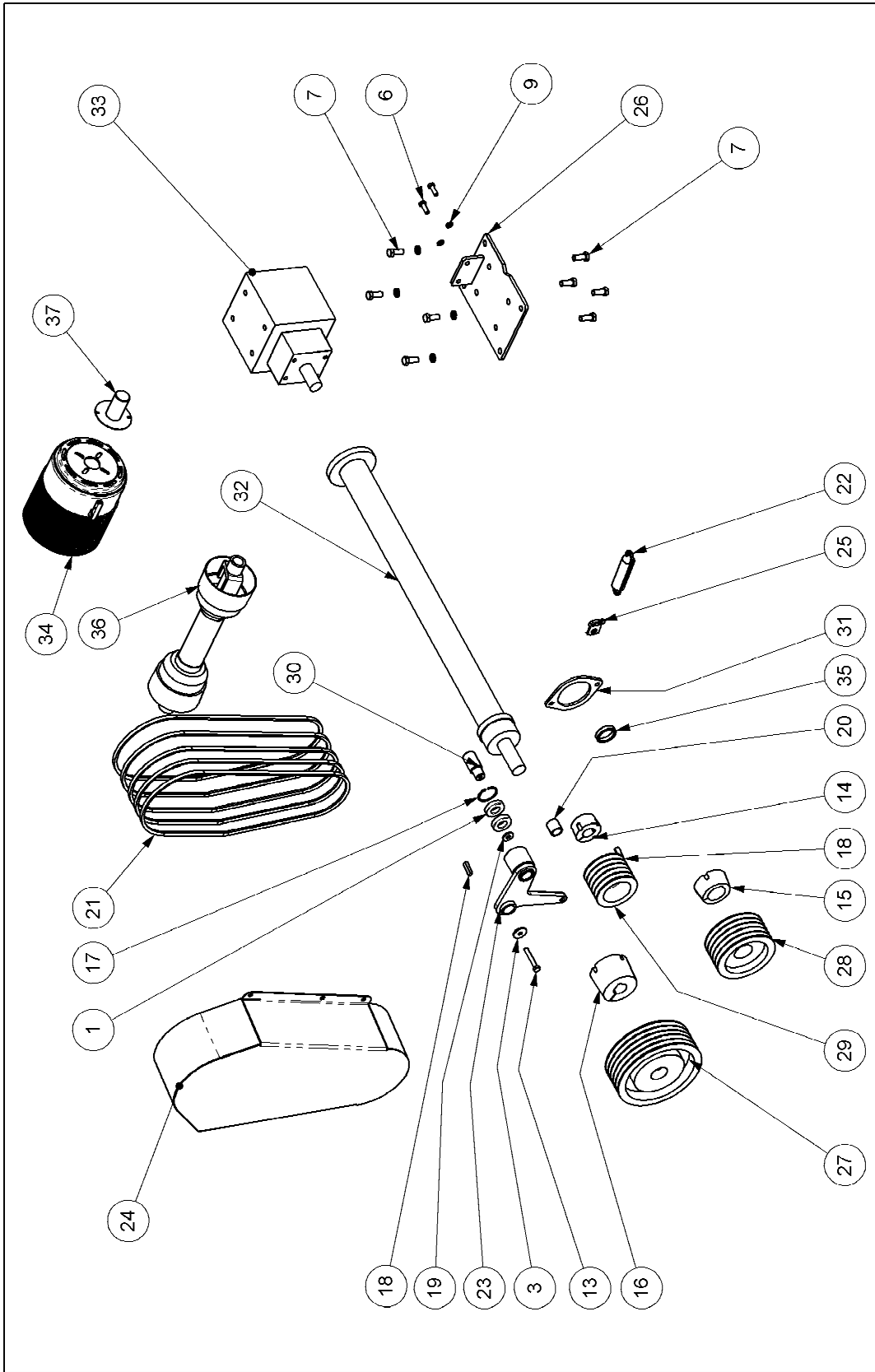


ROTOR SHAFT ASSY 3000

77.326.01 REV : A

ITEM NO.	PART NUMBER	Descr.	QTY
1	47016.04	ROTOR SHAFT ASSY	1
2	47040.01	BRACKET	2
3	47142.02	BEARING 60	2
4	05.282.04	SPRING WASHER	8
5	05.775.14	M16 X 50 FINE	8

GBOX/PULLEY/PTO TBPRO 3000
77.325.01 REV: A



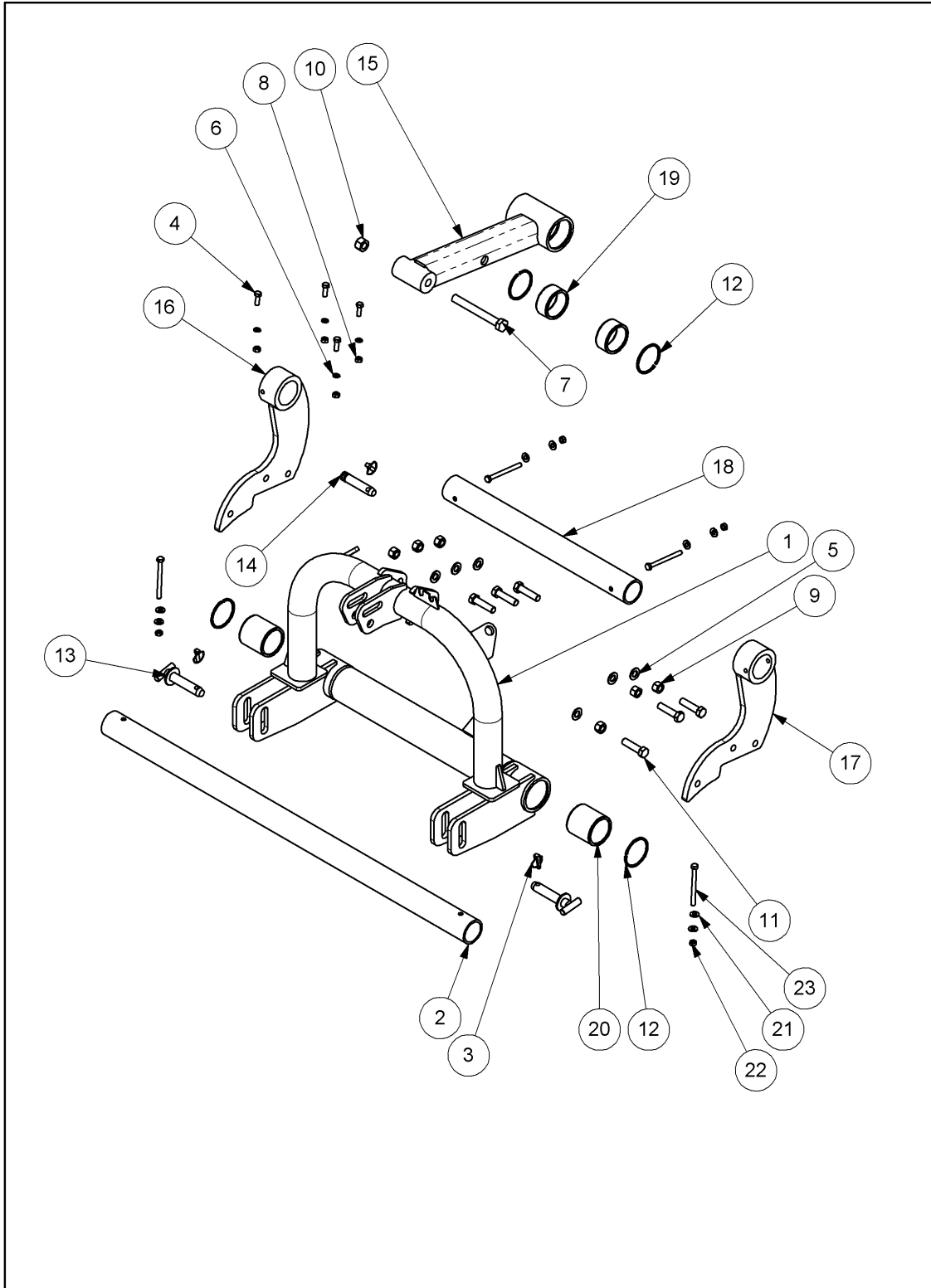
GBOX/PULLEY/PTO TBPRO 3000

77.325.01 REV : A

ITEM NO.	PART NUMBER	DESCRIPTION	QTY.
1	03.007.02	BEARING 30 BORE	2
2	03.816.01	PLUG RUBBER 25mm DIA.	1
3	05.234.01	WASHER 44.5x13x5 PLATED	1
4	05.264.01	SETSCREW M8x20	4
5	05.264.23	SETSCREW M12x30	7
6	05.264.24	SETSCREW M12x35	4
7	05.264.35	SETSCREW M16x40	8
8	05.282.01	SPRING WASHER M8	4
9	05.282.03	SPRING WASHER M12	9
10	05.282.04	SPRING WASHER M16	8
11	05.286.03	NUT M12	6
12	05.287.03	SELF-LOCKING NUT M12	3
13	05.292.21	BOLT M12x80	1
14	05.424.18	TAPERLOCK 40 DIA (2517)	1
15	05.424.39	TAPERLOCK 3020 X 60 BORE	1
16	05.424.36	TAPERLOCK 3525 X 45	1
17	05.959.05	CIRCLIP - 62 DIA INT	1
18	05.960.13	KEY - S/REP 14X9X45	2
19	06.058.15	WASHER 35 X 13 X 4	1
20	08.297.10	BUSH 37x30x40	1
21	05.299.18	BELT XPB1800	5
22	1061340	SPRING	1
23	47039.01	BRACKET BELT TENSIONER	1
24	47044.03	GUARD PULLY	1
25	47066.01	HOOK	1
26	47139.01	BRACKET	1
27	47147.01	PULLEY	1
28	47148.01	PULLEY	1
29	47149.01	PULLEY	1
30	47150.01	BRT RND	1
31	47152.01	PLATE	1
32	47201.02	DRIVE TUBE 1400mm	1
33	47201.01	COMER GEARBOX 290.726	1
34	21839.01	PTO GUARD COVER	1
35	47203.01	CDS	1
36	41624.01	PTO (560CC) T50 SERIES	1
37	42668.02	GUARD - GEARBOX SHAFT	1

A FRAME

77.324.01 REV :

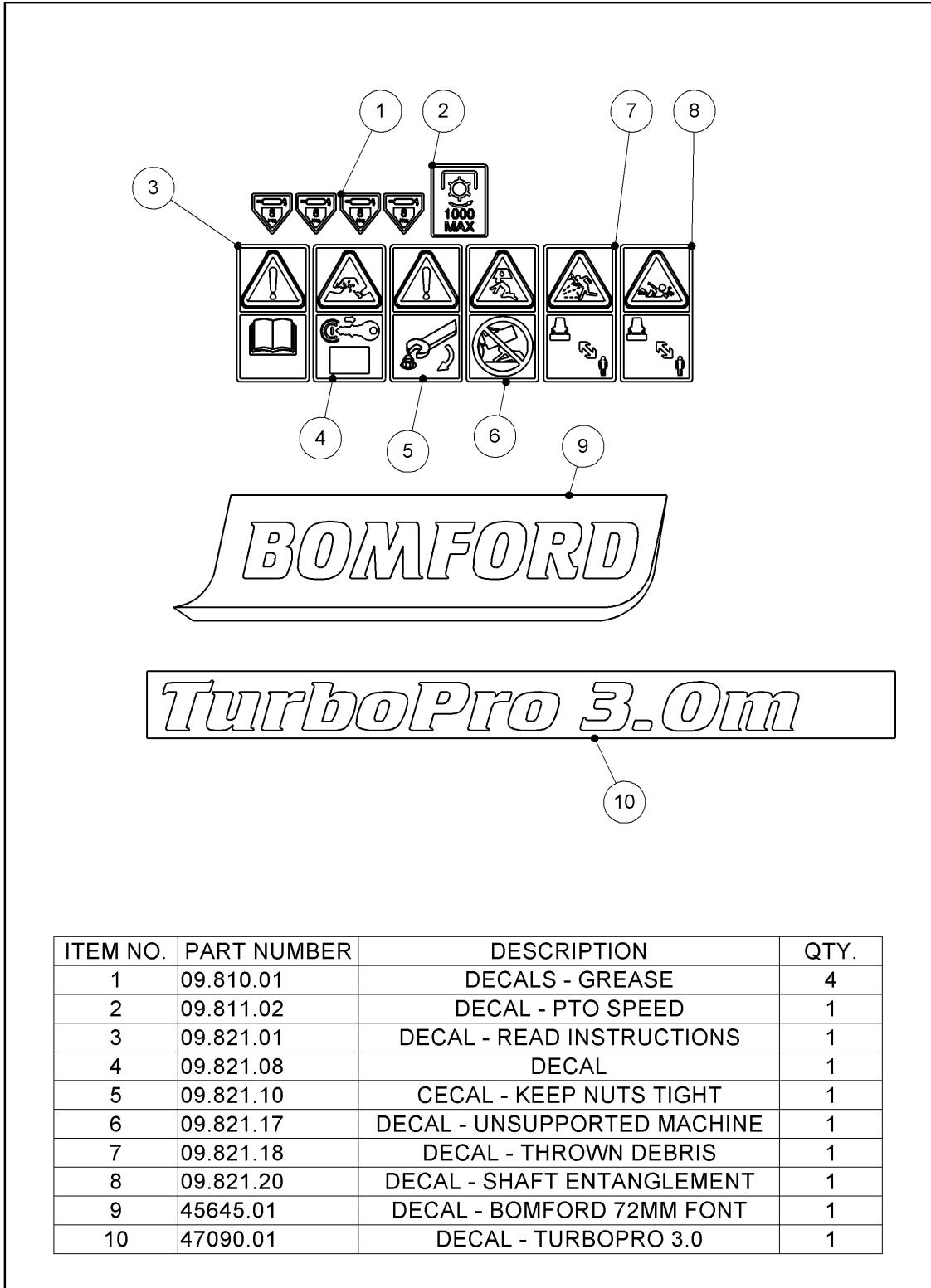


A FRAME

77.324.01 REV :

ITEM NO.	PART NUMBER	DESCRIPTION	QTY.
1	47008.01	FRAME	1
2	47048.01	TUBE - GUIDE LOWER	1
3	00.372.01	LINCH PIN	3
4	05.264.24	SETSCREW M12x35	4
5	05.281.05	FLAT WASHER M20	6
6	05.282.03	SPRING WASHER M12	4
7	05.285.08	M24 BOLT INDEX	1
8	05.286.03	NUT M12	4
9	05.287.05	SELF-LOCKING NUT M20	6
10	05.287.06	SELF-LOCKING NUT M24	1
11	05.292.41	BOLT M20x80	6
12	05.959.29	CIRCLIP - 100 DIA INT	4
13	06.318.01	PIN 1.1/8" DIA x 128	2
14	46125.01	PIN CAT 2 TOP LINK	1
15	47012.01	LINK CONNECTING	1
16	47014.01	PLATE SUPPORT LH	1
17	47014.02	PLATE SUPPORT RH	1
18	47047.01	TUBE- UPPER GUIDE	1
19	47095.01	PLASTIC BUSH	2
20	47096.01	PLASTIC BUSH	2
21	05.281.03	FLAT WASHER M12	8
22	05.287.03	SELF-LOCKING NUT M12	4
23	05.292.27	BOLT M12x140	4

DECALS - TURBOPRO 3000
77.328.02 REV : A



ITEM NO.	PART NUMBER	DESCRIPTION	QTY.
1	09.810.01	DECALS - GREASE	4
2	09.811.02	DECAL - PTO SPEED	1
3	09.821.01	DECAL - READ INSTRUCTIONS	1
4	09.821.08	DECAL	1
5	09.821.10	CECAL - KEEP NUTS TIGHT	1
6	09.821.17	DECAL - UNSUPPORTED MACHINE	1
7	09.821.18	DECAL - THROWN DEBRIS	1
8	09.821.20	DECAL - SHAFT ENTANGLEMENT	1
9	45645.01	DECAL - BOMFORD 72MM FONT	1
10	47090.01	DECAL - TURBOPRO 3.0	1