

IM 1893

TURBO PRO 2.4
TURBO PRO 2.7
TURBO PRO 3.0

FLAIL MOWER

(INCLUDING REPLACEMENT PARTS INFORMATION)

ISSUE 3

IMPORTANT

NOTE HERE THE SERIAL NUMBER OF YOUR MACHINE AND ALWAYS QUOTE IT IN ANY COMMUNICATION WITH US OR YOUR DEALER. THIS IS PARTICULARLY IMPORTANT WHEN ORDERING SPARES. REMEMBER TO INCLUDE ALL NUMBERS AND LETTERS.

MACHINE SERIAL NUMBERS _____

THE INFORMATION GIVEN THROUGHOUT THIS MANUAL IS CORRECT AT THE TIME OF PUBLICATION. HOWEVER, IN THE COURSE OF CONSTANT DEVELOPMENT OF BOMFORD TURNER MACHINES, CHANGES IN SPECIFICATION ARE INEVITABLE. SHOULD YOU FIND THE INFORMATION GIVEN IN THIS BOOK TO BE AT VARIANCE WITH THE MACHINE IN YOUR POSSESSION, YOU ARE ADVISED TO CONTACT THE BOMFORD TURNER SERVICE DEPARTMENT WHERE UP-TO-DATE INFORMATION WILL BE PROVIDED.

THE MANUAL CAN CONTAIN STANDARD AND OPTIONAL FEATURES AND IS NOT TO BE USED AS A MACHINE SPECIFICATION.

THE MACHINE HAS BEEN TESTED AND IS CONSIDERED SAFE IF CAREFULLY USED. ENSURE YOUR OPERATOR IS PROPERLY TRAINED IN ITS USE AND MAINTENANCE.

IMPORTANT

NOTEZ ICI LES NUMEROS DE SERIE DE VOTRE MACHINE ET MENTIONNEZ LES DANS TOUTE COMMUNICATION AVEC NOS SERVICES OU VOTRE REVENDEUR. CECI EST IMPORTANT POUR LA COMMANDE DE PIECES DETACHEES. PENSEZ A NOTER TOUS LES NUMEROS ET TOUTES LES LETTERS.

NUMEROS DE SERIE DE LA MACHINE _____

LES INFORMATIONS DONNEES DANS CE MANUEL SONT CORRECTES CEPENDANT, DU FAIT DE DEVELOPPEMENT CONSTANT DES MACHINES BOMFORD TURNER.

CHANGEMENTS DANS LES CARACTERISTIQUES SONT INEVITABLES.

SI VOUS TROUVEZ QUE LES INFORMATIONS DONNEES NE CORRESPONDENT PAS A VOTRE MACHINE VEUILLEZ CONTACTER LE SERVICE DES REPARATIONS OU DES INFORMATIONS PLUS RECENTES VOUS SERONT DONNEES.

CE MANUEL PEUT MONTRER DES CARACTERISTIQUES OPTIONNELLES ET NE PEUT PAS ETRE CONSIDERE COMME SPECIFICATION DE LA MACHINE.

CETTE MACHINE A ETE TESTEE, ET ELLE EST CONSIDEREE COMME FIABLE A CONDITION D'UNE BONNE UTILISATION. ASSUREZ-VOUS QUE VOTRE OPERATEUR EST QUALIFIE EN CE QUI CONCERNE L'UTILISATION DE LA MACHINE AINSI QUE SON ENTRETIEN.

WICHTIG

TRAGEN SIE HIER DIE SERIENNUMMERN IHRER MASCHINE EIN UND GEBEN SIE DIESE IMMER AN, WENN SIE SICH AN UNS ODER IHREN HÄNDLER WENDEN. DAS IST BESONDERS BEI ERSATZTEILBESTELLUNGEN WICHTIG. VERGESSEN SIE NICHT, ALLE ZAHLEN UND BUCHSTABEN ZU NOTIEREN.

SERIENNUMMERN DER MASCHINE _____

DIE ANGABEN INDIESEM HANDBUCH SIND BEI VERÖFFENTLICHUNG KORREKT. AUFGRUND DER KONSTANTEN WEITERENTWICKLUNG VON BOMFORD TURNER MASCHINEN SIND JEDOCHÄNDERUGDEN IN DER SPEZIFIKATION UNVERMEIDLICH. WENN DIE INFORMATION IN DIESEM HANDBUCH NICHT MIT IHRER MASCHINE ÜBEREINSTIMMEN, NEHMEN SIE BITTE KONTAKT MIT DER BOMFORD TURNER KUNDENDIENSTABTEILUNG AUF, DIE IHNEN GERNE DIE AKTUELLEN INFORMATION ZUKOMMEN LÄSST.

DAS HANDBUCH KANN SOWOHL BESCHREIBUNGEN FÜR DIE STANDARD AUSFÜHRUNG ALS AUCH FÜR ZUBEHÖR ENTHALTEN UND IST NICHT ALS MASCHINENSPEZIFIKATION ZU VERWENDET.

DIE MASCHINE IST GETESTET UND BEI SACHGEMÄSSEM BETRIEB ALS SICHER BEFUNDEN WORDEN. SORGEN SIE DAFÜR, DASS IHR BEDIENPERSONAL IN ANWENDUNG UND WARTUNG RICHTIG GESCHULT WIRD.

This manual covers the **BOMFORD TURBO PRO 2.4, 2.7 & 3.0**
Tractor mounted flail mowers

Section	Page No
1 General Information	3
2 Technical Information	4
3 Safety	7
4 Installation	10
5 Setting Up	13
6 Operation	14
7 Maintenance	17
8 Disposal	20
Replacement Parts Section	21

IMPORTANT

This machine is designed for vegetation control
and must not be used for any other purpose

It is potentially hazardous to fit or use
Any parts other than genuine **Bomford Turner** parts

The company disclaims all liability for the
consequences of such use, which in addition
voids the machine warranty

We reserve right to modify the technical data and characteristics of the machines at any time without prior notice.

EC DECLARATION OF CONFORMITY
conforming to EEC Directive 89/392/EEC

We,

of BOMFORD TURNER LIMITED, Station Road, Salford Priors, Evesham,
Worcestershire, WR11 5SW

declare that under our sole responsibility that the product (type)

TURBOPRO TRACTOR MOUNTED FLAIL MOWERS

Product Code: **MA27, MA30**

Serial No. & Date:

Manufactured by the above Company/*

.....

(*insert business name and full address if not stated above)

complies with the required provisions of the Directive 89/392/EC and AMD 91/368/EEC, AMD 93/68/EEC and conforms with European Norm. BS EN 292

Part 1: 1991 Safety of Machinery - Terminology, Methodology

Part 2: 1991 Safety of Machinery - Technical Specifications

and other national standards associated with its design and construction as listed in the Technical File.



Signed
on behalf of BOMFORD TURNER LIMITED Responsible Person

Status Chief Design Engineer

Date 11th June 2003

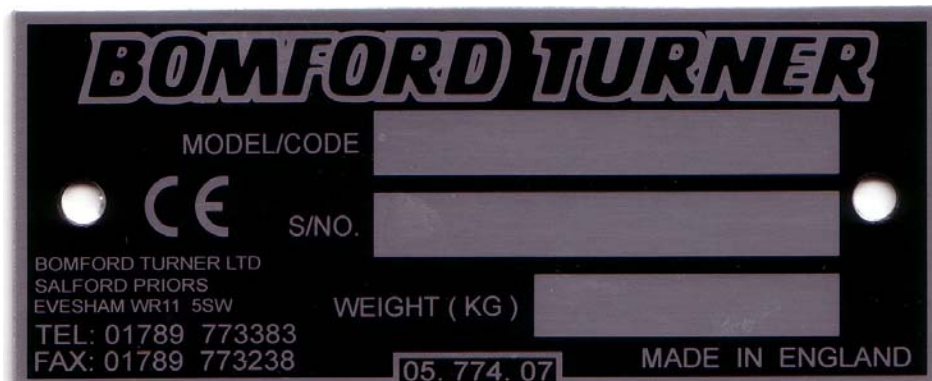
1. GENERAL INFORMATION

1.1 Before Use

This operation and maintenance manual is intended for operators and maintenance personnel and should be read and fully understood before operating or working in the machine. It is mandatory to follow these instructions in order to prevent events which could endanger the operator's and other people's safety, apart from the correct functioning of the machine. In case of doubt, do not experiment, call BOMFORD Service Department instead, or your local BOMFORD dealer.

1.2 Identifying the machine

Each machine is fitted with an identification plate. Both the data necessary to identify the model and the serial number to order spare parts or after-sales service are stamped on the plate.



1.3 Replacement Parts

It is strongly recommended to use genuine replacement parts to avoid altering the technical features of the machine. BOMFORD TURNER are not responsible for any damage or injuries to people due to unauthorised modifications or the use of non-genuine spare parts

2. Technical Features

2.1. Designed Use

This TURBO PRO has been designed for agricultural purposes, to shred materials that are growing or laying on the ground, e.g.: grass, bushes, sticks and shrubs up to 3cm (13") diameter (proper use).

Any other use is considered improper and the manufacturer disclaims all responsibility for any consequential injuries to people, or for damage to the machine.

Proper use also refers to compliance with the safety and maintenance rules provided for by the manufacturer.

2.2 General Arrangement (see diagram below)

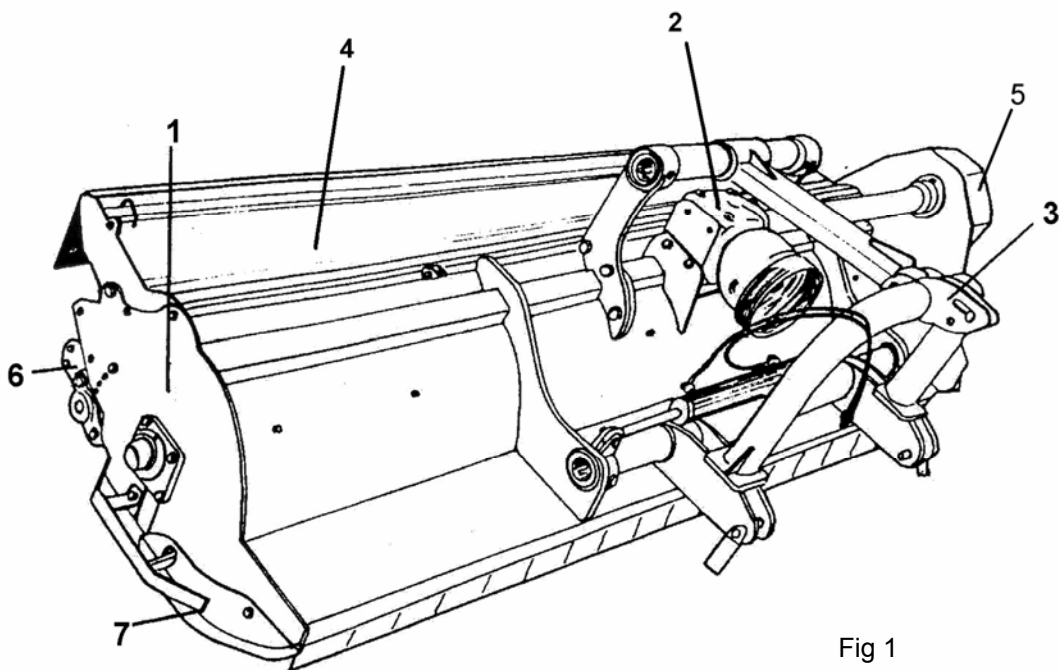


Fig 1

- | | |
|---|------------------------|
| 1 | Frame |
| 2 | Gearbox |
| 3 | Connecting Bow |
| 4 | Rear Cover |
| 5 | Side Transmission |
| 6 | Rear Adjustable Roller |
| 7 | Adjustable Skids |
| 8 | Flails or Hammers |

2.3 Technical Specifications

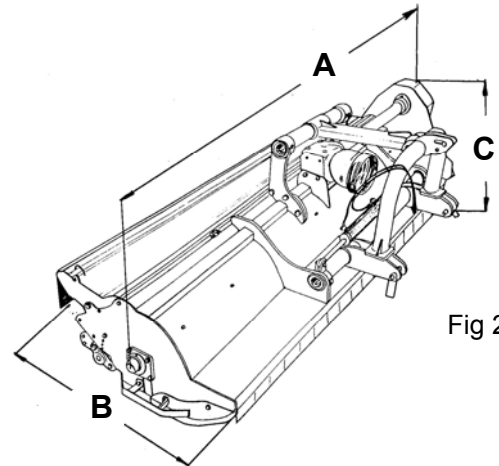


Fig 2

Specification		2.4	2.7	3.0
Width of Cut	<i>cm</i>	245	270	300
Min. Tractor Power Req'd.	<i>kW</i>	55	65	75
P.T.O. Speed	<i>rpm</i>	1000	1000	1000
Weight	<i>kg</i>	880	950	1020
Tractor Attachment	<i>Cat.</i>	II	II	II
Rotor Speed	<i>rpm</i>	2250	2250	2250
Flails	<i>Qty.</i>	72	84	96
Hammer Blades	<i>Qty.</i>	24	28	32
Flat Blades	<i>Qty.</i>	48	56	64
Width (A)	<i>Cm</i>	275	300	330
Length (B)	<i>Cm</i>	150	150	150
Height (C)	<i>Cm</i>	115	115	115
Offsetting	<i>Cm</i>	40	40	40

Standard & Optional Equipment

- see illustrations on following page for variant details

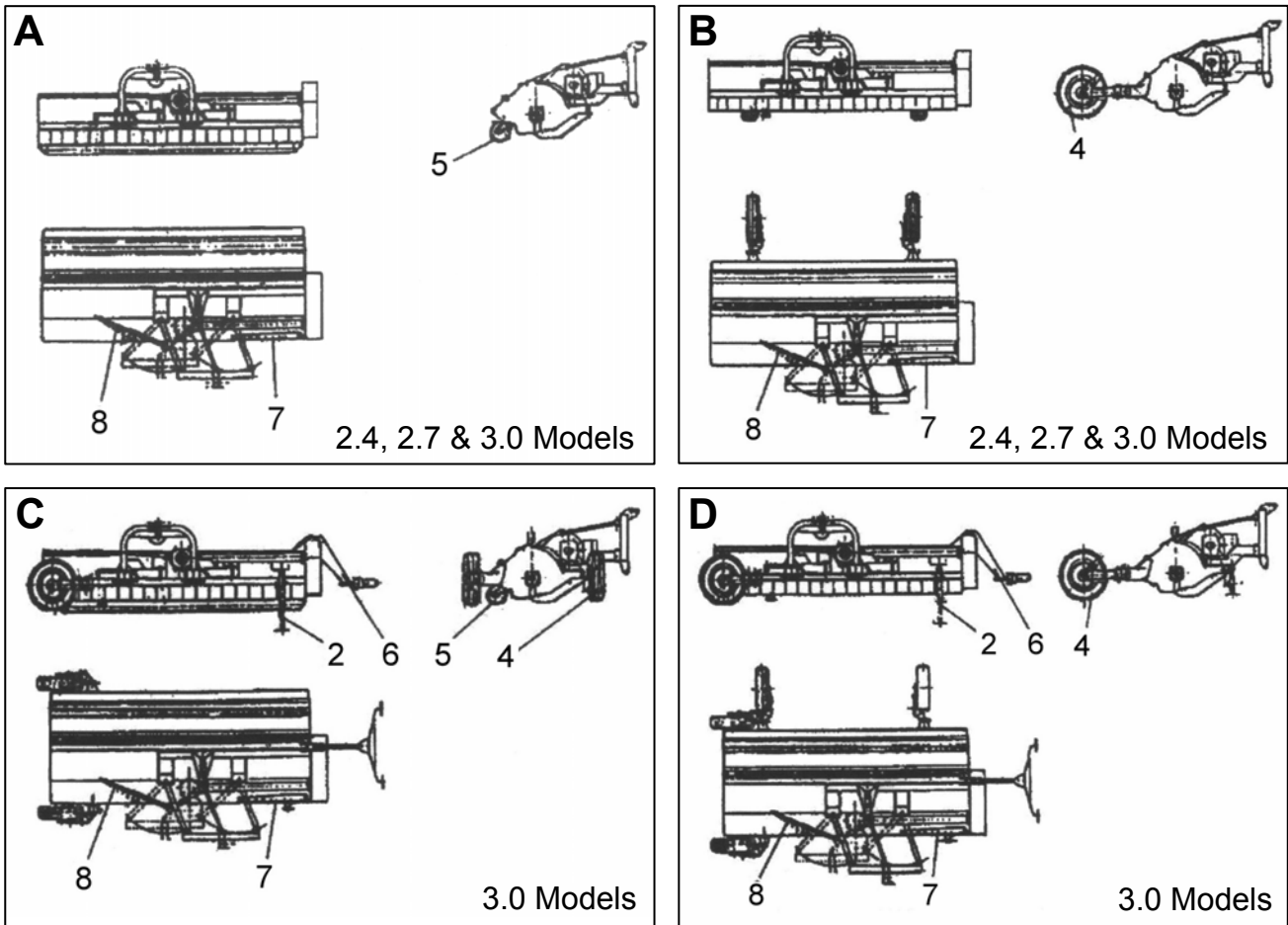
Equipment	Variant				2.4	2.7	3.0
	A	B	C	D			
Hammer	A	B	C	D	◆	◆	◆
Y-Blades	A	B	C	D	◇	◇	◇
Jack - for lifting machine (2)	-	-	C	D	-	-	◇
Wheels – with mounting part (4)	A	B	C	D	◇	◇	◇
Rear Roller (5)	A	B	C	D	◆	◆	◆
Draw Bar(6)	-	-	C	D	-	-	◇
Hydraulic Side Movement (8)	A	B	C	D	◆	◆	◆
Combination Mounting	A	B	C	D	◇	◇	◇

◆ Standard Equipment

◇ Optional Equipment

2.4 Machine Variants

Fig.3



References – Refer to *Equipment Specification table* on previous page.

- 2. Jack (for lifting machine)
- 4. Wheels (with mounting bracket)
- 5. Rear Roller
- 6. Draw Bar
- 8 Hydraulic Side Movement

3. SAFETY INFORMATION

3.1 General Safety Rules:

- It is mandatory to read and follow the instructions for the use and maintenance before carrying out any operation with the mower
- Improper or incorrect use may seriously damage the machine or injure people.
- Both the operator and the maintenance fitter must be aware of the dangers resulting from improper use or incorrect repairs.
- Before starting, checks on tractor and mower must be carried out with regard to Functionality, road safety, and accident prevention rules.
- Even when using the mower correctly, stones or other objects may be thrown a long distance. Therefore nobody must stand within the danger area. Special attention must be paid when working near roads or buildings.
- Use tractors with safety cabs.
- The condition of flails and of all guards must be checked before beginning work. They must be replaced if damaged or missing.
- During checks or repairs, make sure nobody could start the tractor or mower by mistake,
- Never wear loose clothes.
- Never carry passengers on the tractor or mower.
- Never connect the power take off with the engine running
- Never approach the mower until the rotor shaft has completely stopped.
- Do not enter the working zone of the PTO shaft. It is dangerous to approach the rotating parts of the machine.
- Keep the PTO shaft guard in good order.
- Before starting check the surrounding area for the likely presence of children and/or animals.
- Do not stand in the range of the operation of the machine.
- The PTO shaft must be fitted and removed with the engine stopped and the starting key removed.
- Before connecting the power takeoff, check that the speed and the rotational direction correspond to those of the mower.
- Before leaving the tractor with the mower attached, proceed as follows:
 1. Disconnect the power takeoff,
 2. Lower the machine to the ground (with the tractor hydraulics)
 3. Apply the hand brake and, if on a steep slope, chock the tractor.
 4. Remove the ignition key.
- Immediately replace any safety sign, or any missing or damaged decal.

3.2 Safety Rules concerning Road Traffic

- In transport, reduce speed, especially on bumpy roads. The weight of the mower may make driving difficult and damage the mower itself.
- Check that the levers that operate the hydraulics are locked, to avoid the lowering of the machine during transport.
- When driving on public roads, respect all road rules.
- Never transport the mower with the rotor moving.

3.3 Safety Rules during use

- Pay special attention when working to avoid fixed objects, such as road drain covers, walls, shafts, kerbs, guard rails, tracks etc. These could cause the breakage of the flails, debris from which would be thrown at very high speed.
- If wires, ropes or chains should get entangled in the rotor, stop immediately, to prevent damage or dangerous situations; stop the rotor and the tractor, take out the starting key. Put working gloves on; clear the rotor with the aid of pliers or shears. Do not try to disentangle by reversing the rotor to clear itself.
- Do not use the machine when there is vibration in the flail head, as this could cause breakage or serious damage. Stop the machine and investigate the cause of the vibration.

3.4 List of Guards fitted to the Mower (see diagram below)

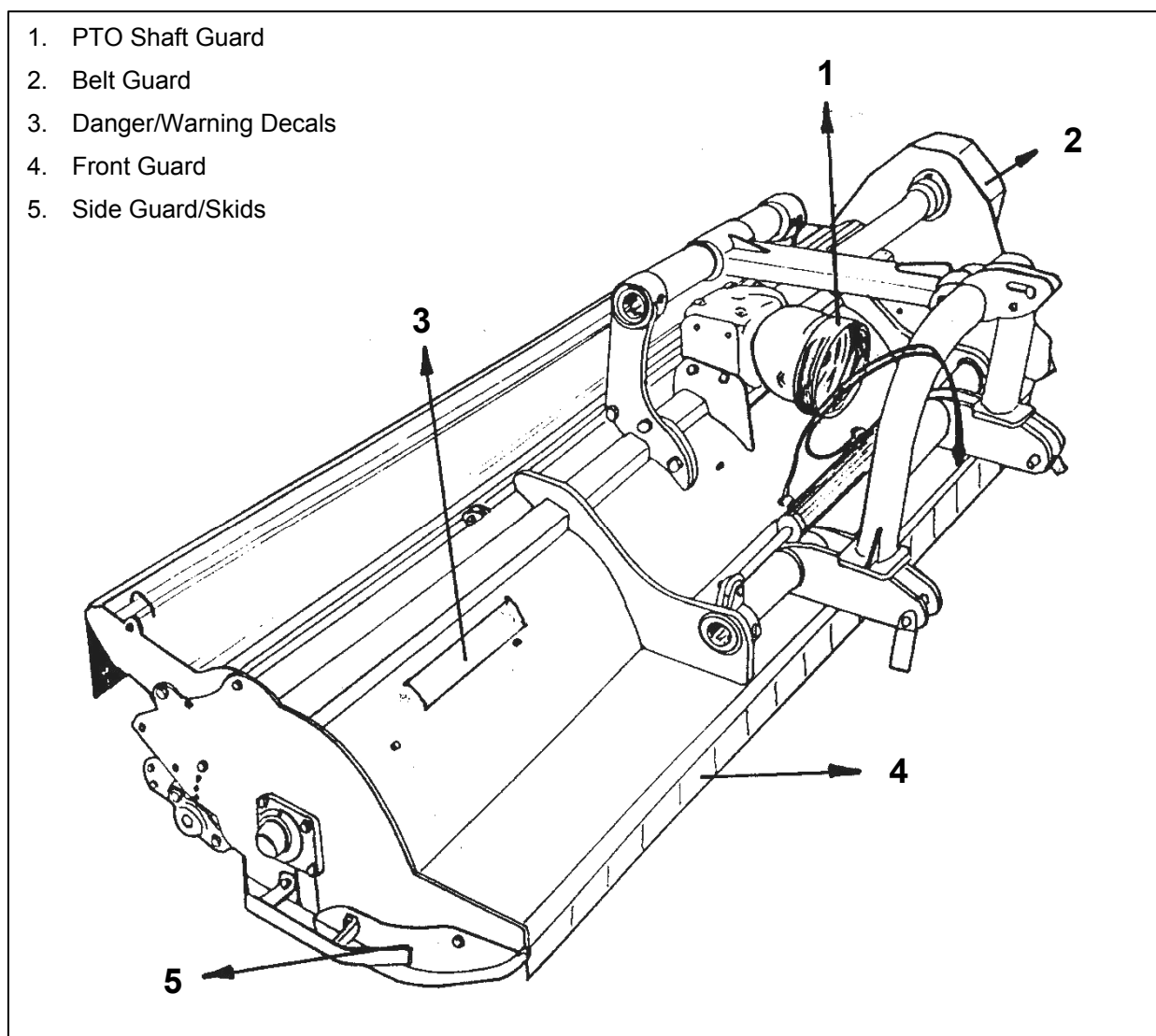


Fig.4

3.5 Description and Location of Safety Decals

Carefully follow the instructions given on the decals (*see illustrations below*).

- 1 Always remove the ignition key and read the instructions carefully before starting servicing and/or maintenance operations.
- 2 Keep bystanders at a safe distance from the machine to avoid the risk of flying of objects.
- 3 Never remove the guards while the parts of machine are moving. It is dangerous and may cause injury.
- 4 Keep at a safe distance from the machine to avoid the risk of injuring feet.
- 5 It is forbidden to ride or travel on the machine because of the risk of falling or injury

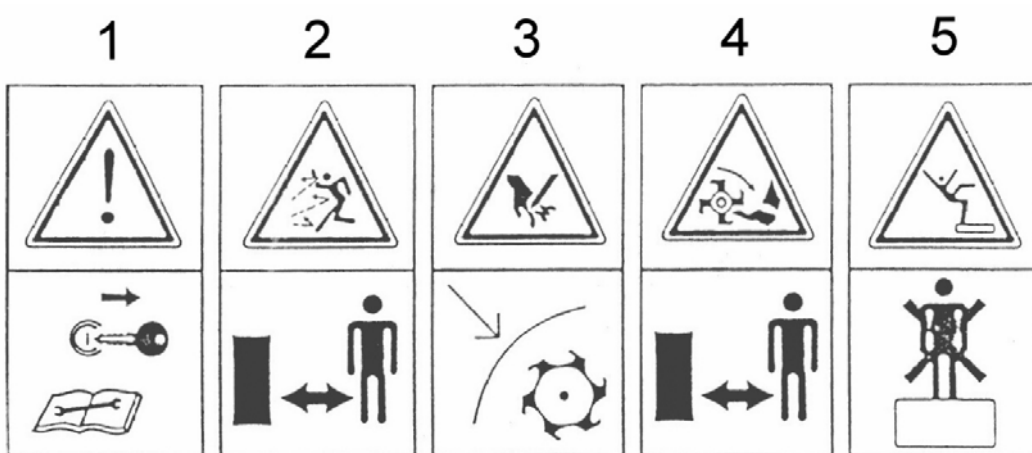


Fig. 5

4. INSTALLATION AND HANDLING

4.1 Lifting and Moving

To move the mower use a fork lift truck with a lifting capability suitable for the weight of the machine (see *technical specifications on page 5*). Proper approved chains and lifting hooks must be used and should be attached at the points indicated in the diagram below.

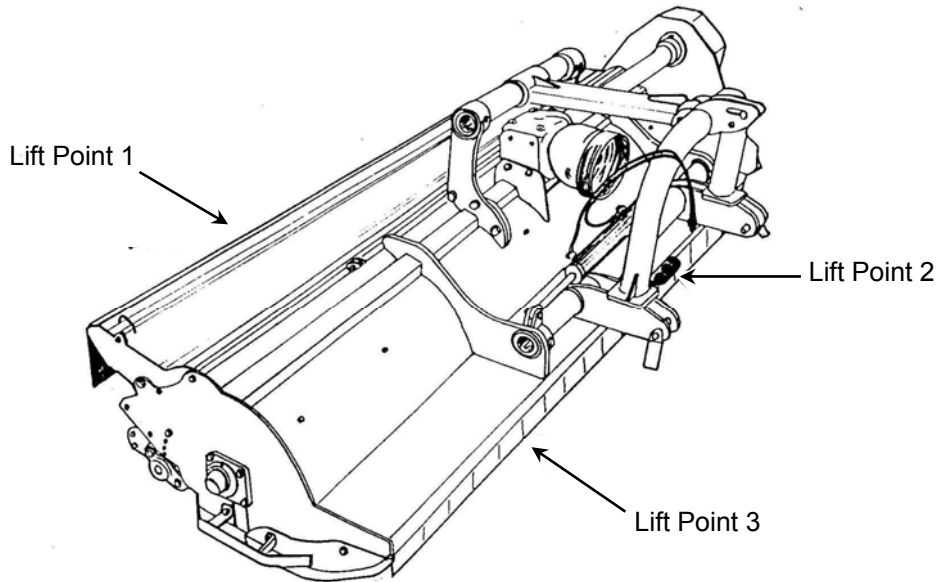


Fig.6

4.2 Unpacking

To make transport easier, the machine can be supplied with the A frame removed. In this case use the bolts, locknuts and washers supplied to fix the frame and the brackets on the machine.

4.3 Attachment To and Removal from Tractor

Before carrying out this operation and whenever the mower is used, it is mandatory to:

Visually check the machine in general for damage

Check that all guards are fitted and in good condition.

Check that all flails are in place and in good condition.

Grease the bearings and any other part as indicated by the decal.

Check that the number of revolutions and the rotational direction of the power takeoff correspond to those required by the machine (see *Fig7 below*).

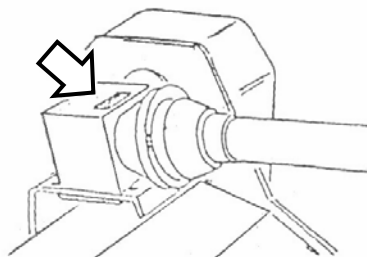


Fig 7

To attach the machine to the tractor: (see Fig 8 below)

Position the tractor lower links (1) near the machine, in line with the pins.

Insert the pins (2) and secure them with the spring clips (3).

Fit the top link (4), and raise the machine to a position parallel with the ground.

Adjust the two-tractor lower linkage stabilisers (5) thus fixing the machine to the tractor in a central position.

Proceed in reverse order to detach the mower from the tractor.

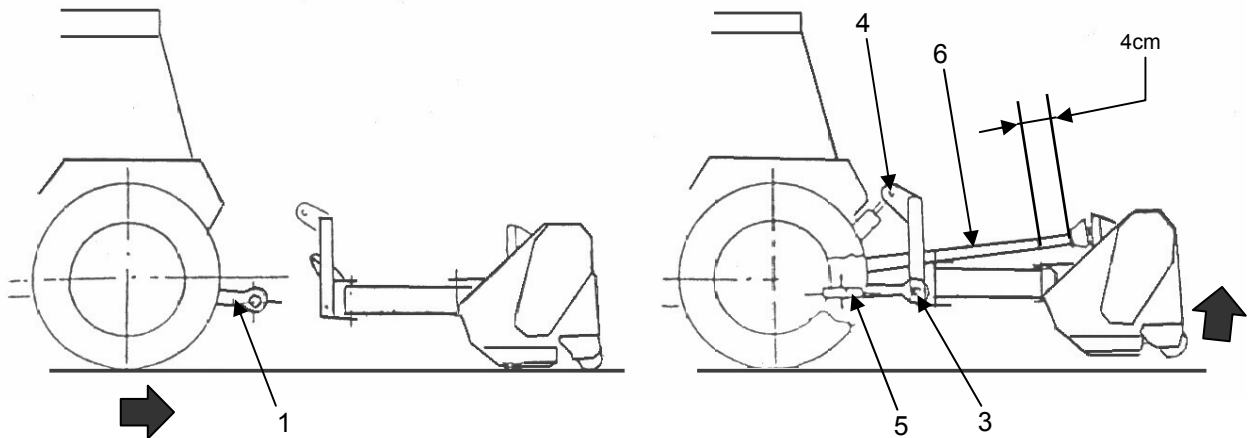


Fig 8

4.4 Fitting the PTO shaft

Follow the Instructions in 4.3 then assemble the PTO shaft (6) and check that the overlap is not less than $\frac{2}{3}$ of L. Be sure to keep a 4 cm backlash (see illustration above) if it needs shortening, proceed as shown below (see Fig 9).

The guards of the PTO shaft must be fixed to the machine and to the tractor with chains, to prevent rotation. The minimum overlap of the guard and the PTO shaft must not be less than 5 cm. (see Fig 10 below).

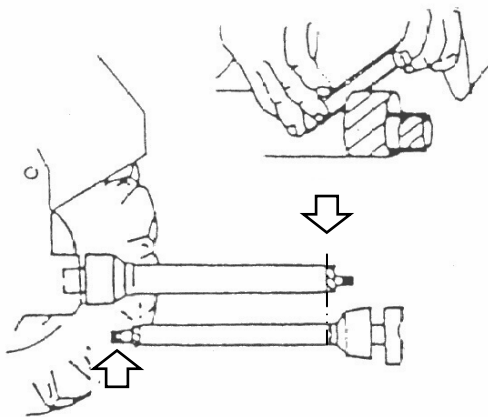
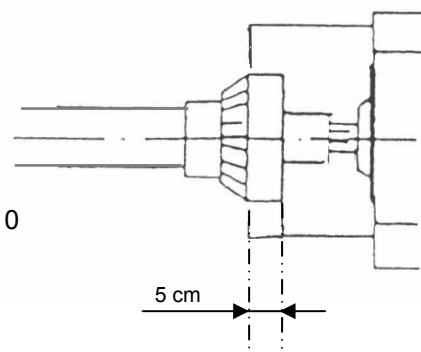


Fig 9

Fig 10



4.5 Tractor Stability

Due to the design of the mowers and the work they do, it is essential to ensure tractor stability, in order to eliminate any risk of overturning.

Lift the machine and check that the tractor is stable. Ballast the rear wheel of the tractor opposite to the offset of the mower (if necessary) and at the front of the tractor (see Fig 11 below).

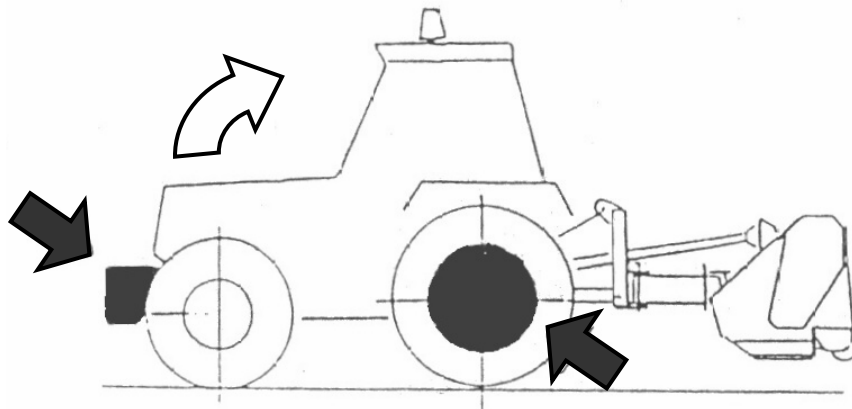


Fig 11

4.6 Parking

Park the machine in a safe place on flat and firm ground in order to prevent the risk of rolling over. Lower the mower to the ground with the aid of the tractor hydraulics.

If the machine is to be left unattached to the tractor it should be 'blocked' and supported with suitable blocks and stands. (see illustration below).

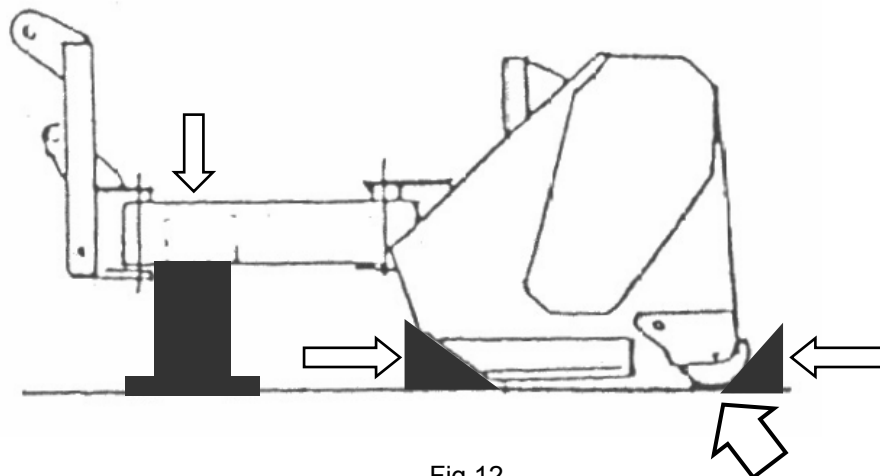


Fig.12

5. ADJUSTMENT AND SETTING UP

5.1 Adjustment

Adjustment of the height of cut is obtained by moving the rear roller in order to suit the material to be cut (see *Fig 13 below*). Do not adjust the height with the top link.

IMPORTANT: Flails must never touch the ground.

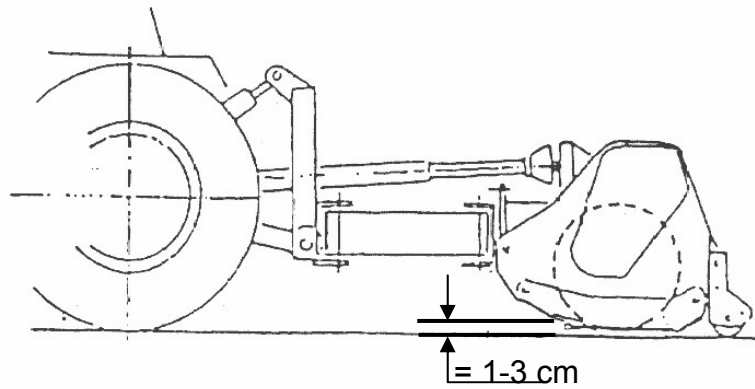


Fig 13

6. USE AND OPERATING INSTRUCTIONS

6.1 Starting

Before using the mower check the tightness of all bolts and the condition and security of all guards. The gearbox mounting bolts must be checked for tightness every day. Check that the number of revolutions and the rotational direction of the power takeoff of the tractor correspond to those required by the machine. Refer to decal on the gearbox (see page 10). Engage the PTO at low engine RPM to avoid damaging the transmission gearbox and belts. **Check gearbox oil level before starting**

6.2 Working Mode

Adjust the machine to suit the type of work to be done and the material to be cut: adjust the height of cut, as shown (see Fig 13)).

Working speed is chosen to suit the material to be cut and the degree of shredding required. The optimum speed ranges from 3 to 8 km per hour.

6.3 Side Shift

IMPORTANT: When side moving the machine ensure that the machine is lifted clear of the ground to avoid damage to the frame (see Fig 14)

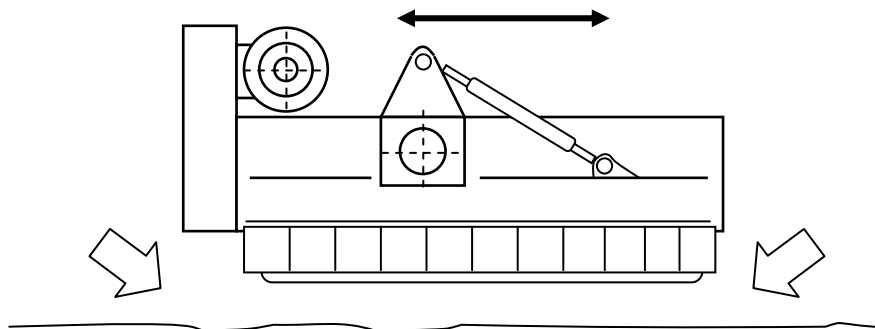


Fig.14

IMPORTANT: When reversing lift the machine off the ground to avoid damage. (See Fig 15 below)

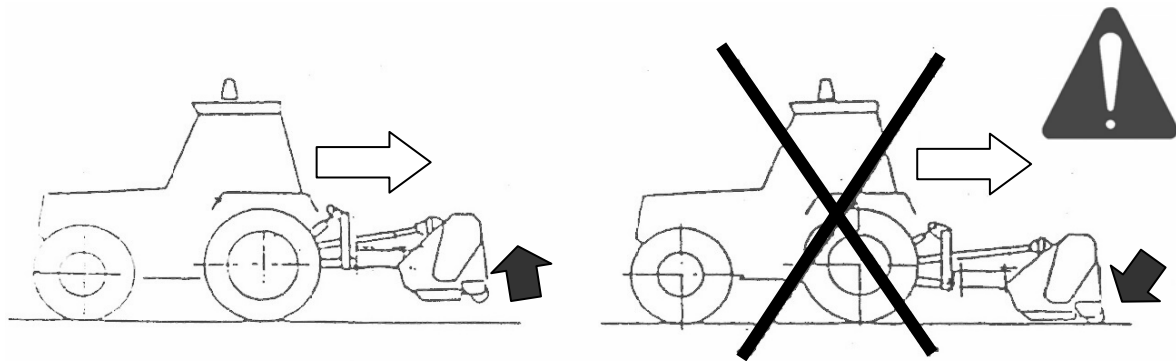


Fig 15

6.4 Stopping

Lower the machine to the ground.

Stop the tractor, take out the starting key and apply the hand brake.

Disconnect the power takeoff.

If the ground is sloping, block the tractor wheels.

6.5 Transport Position

For transport it is mandatory to:

Observe all road transport requirements and note the necessary warning signs.

Reduce speed especially on bumpy roads, The weight of the machine may render driving difficult and damage the machine itself.

The power take off must be disconnected.

IMPORTANT:

During transport on bumpy roads it is mandatory to move the machine into the central position.

6.6 Transporting – Machines with Draw Bar & Wheels (Optional Equipment)

For transport, it is mandatory to:

Move draw bar from work to transport position.

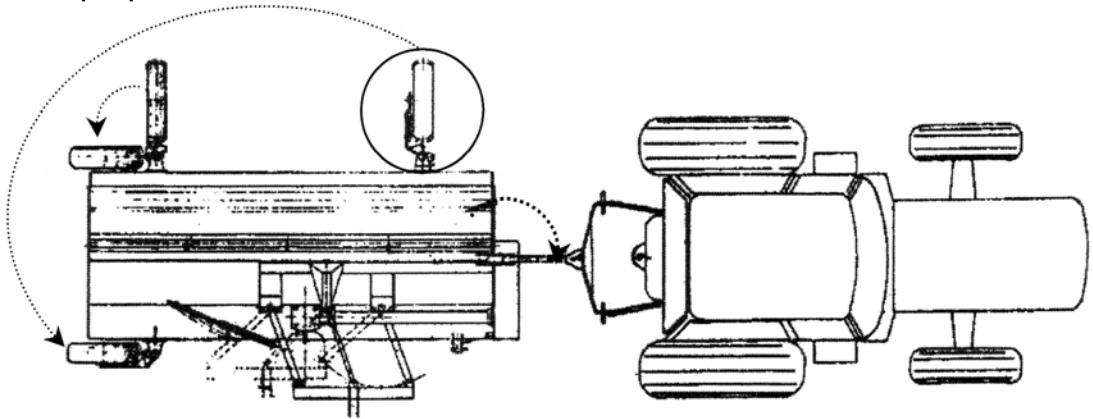
Move wheels from work to transport position – see diagrams on following page.

Adjust the height of the wheels.

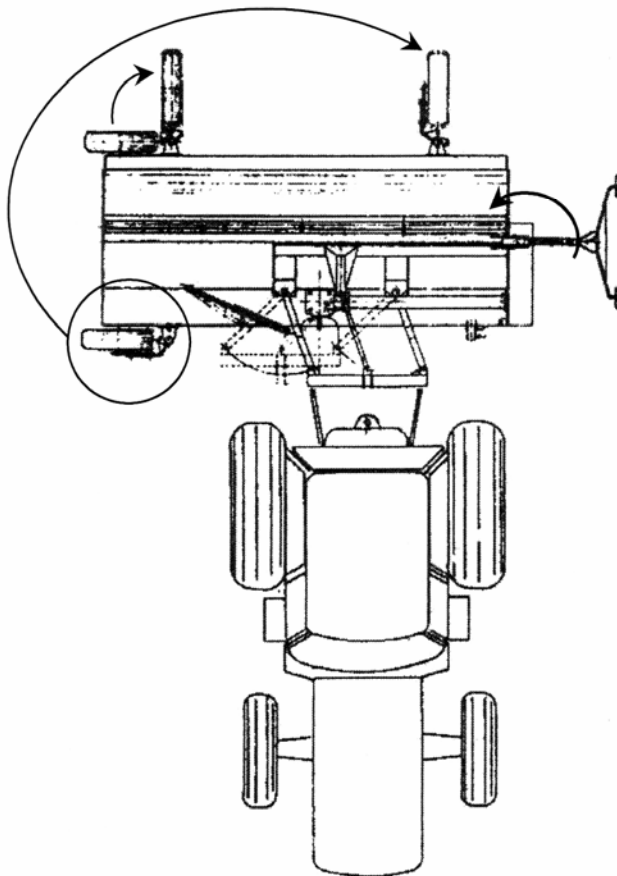
Display all necessary warning signs.

6.7 Wheels & Draw Bar positions – Transportation & Work

Work to Transport position



Transport to Work position



Work position

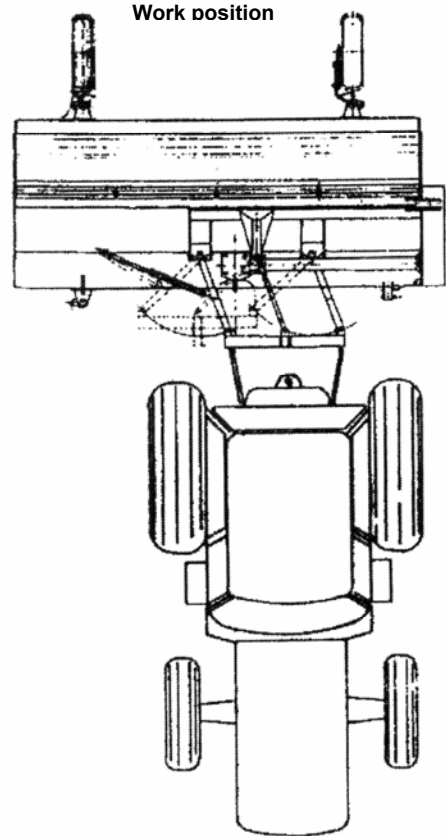


Fig. 16

7. MACHINE MAINTENANCE

7.1 General

All maintenance, cleaning and repair operations must be carried out with the mower firmly lowered to the ground and detached from the tractor, or with the PTO, disconnected and the tractor engine switched off and starting key removed.

After the first two hours operation from new (or after fitting new belts) check belt tension.

Regularly and after every 8 hours of machine operation:

Check and tighten gearbox mounting bolts. Tighten all other bolts and nuts.

Check wear and condition of flails.

Check the safety guards.

Check belt condition.

Visually check the frame to detect possible damage caused by earlier work.

Check gearbox and oil levels.

Grease the parts indicated on the appropriate decal. (See Fig 17 below)

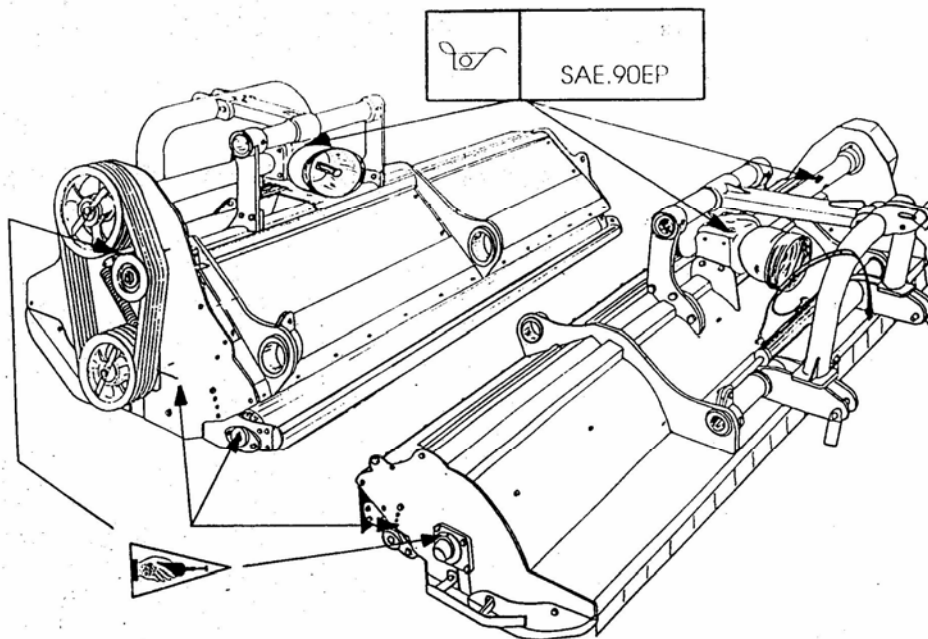


Fig 17

Every 100 hour's operation grease the moving parts of the PTO shaft, extracting the two parts of the shaft.

At the end of each working day or when storing the machine remove mud or other material from the cowl and rotating parts (bearings, pins etc.) in order to avoid rust and possible seizure. Fully grease the machine as described above.

After long periods of inactivity, repeat the operations above before using the machine.

Use grease classification DIN 51825 (KR 2 K)

For gearbox use compatible oils - classification ISO VG 220

7.2 Trouble Shooting Chart

PROBLEM	CAUSES	REMEDIES
Irregular cut	- worn, bent or broken flails - machine is not in level with the ground - clogged material due to excessive working speed	- replace - level it - reduce working speed
Machine noise	- loose bolts - cracks or initiation of flail head	- Tighten bolts - Have it repaired in specialized workshops
Gearbox noise	- lack of oil - worn gears - worn bearings	- fill to level - replace - replace
vibration	- broken or worn flails - unbalanced rotor - worn rotor bearings	- replace - replace in authorized workshops
Premature flail wear	- flails touching the ground	- adjust the height of cut
Excessive backlash in joints	- worn pins	- replace
Breakage of roller bearings	- Violent impact on the ground when the machine is lowered - Dirty or little greased bearings	- Lower it gently - Clean and grease
Belts overheating	- Flails touching to the ground - Working speed unsuitable to the amount of the material to be cut	- Adjust the height of cut - Reduce speed

7.3. Replacing Parts

Before carrying out any work, it is mandatory to:

- Lower the machine to the ground
- Disconnect the power takeoff, stop the tractor and take out the starting key.
- Wear working gloves

7.3.1 Flail replacement

When the flails are worn, they must all be replaced. In case of a partially broken flail it is advisable to replace the broken one and the one diametrically opposite, in order to maintain the balance (see Fig 18).

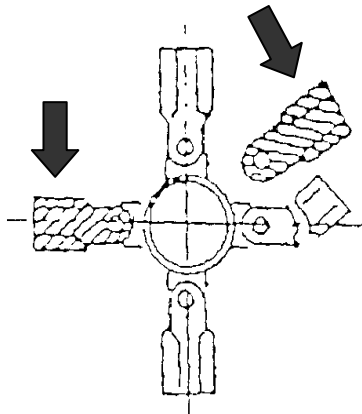


Fig.18

.7.3.2 Belt Replacement

This operation must be carried out with the machine resting on the ground, the power take-off disconnected and the starting key out.

Remove the belt guard; slacken the screws (1) (see Fig 19 below),

Unscrew the adjuster (2), remove the belts and replace them with identical ones (dimension and type).

IMPORTANT: more complex operations must be carried out in authorised workshops.

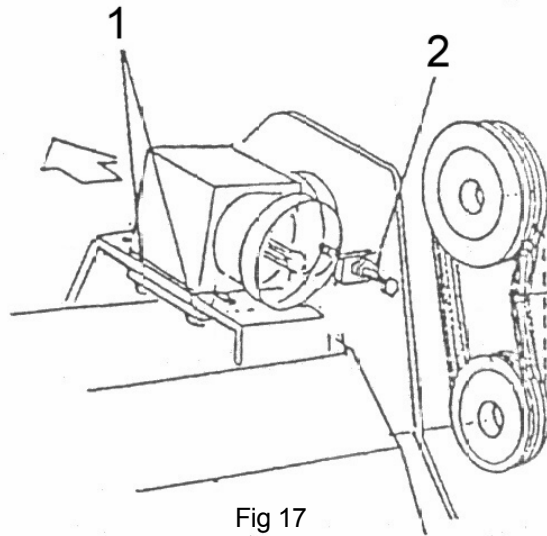


Fig 17

Fig.19

8. DISPOSAL

8.1 Safe Disposal of Machine

When the machine is at the end of its useful life and beyond economical repair it should be disposed of in a safe and proper manner. The materials forming the machine that have to be separated and disposed of are:

Steel

Mineral oil

Rubber

Plastic

Disposal of the above materials must be in accordance with current local legislation

We reserve right to modify the technical data and characteristics of the machines at any time without prior notice.

Replacement Parts Section

For best performance...

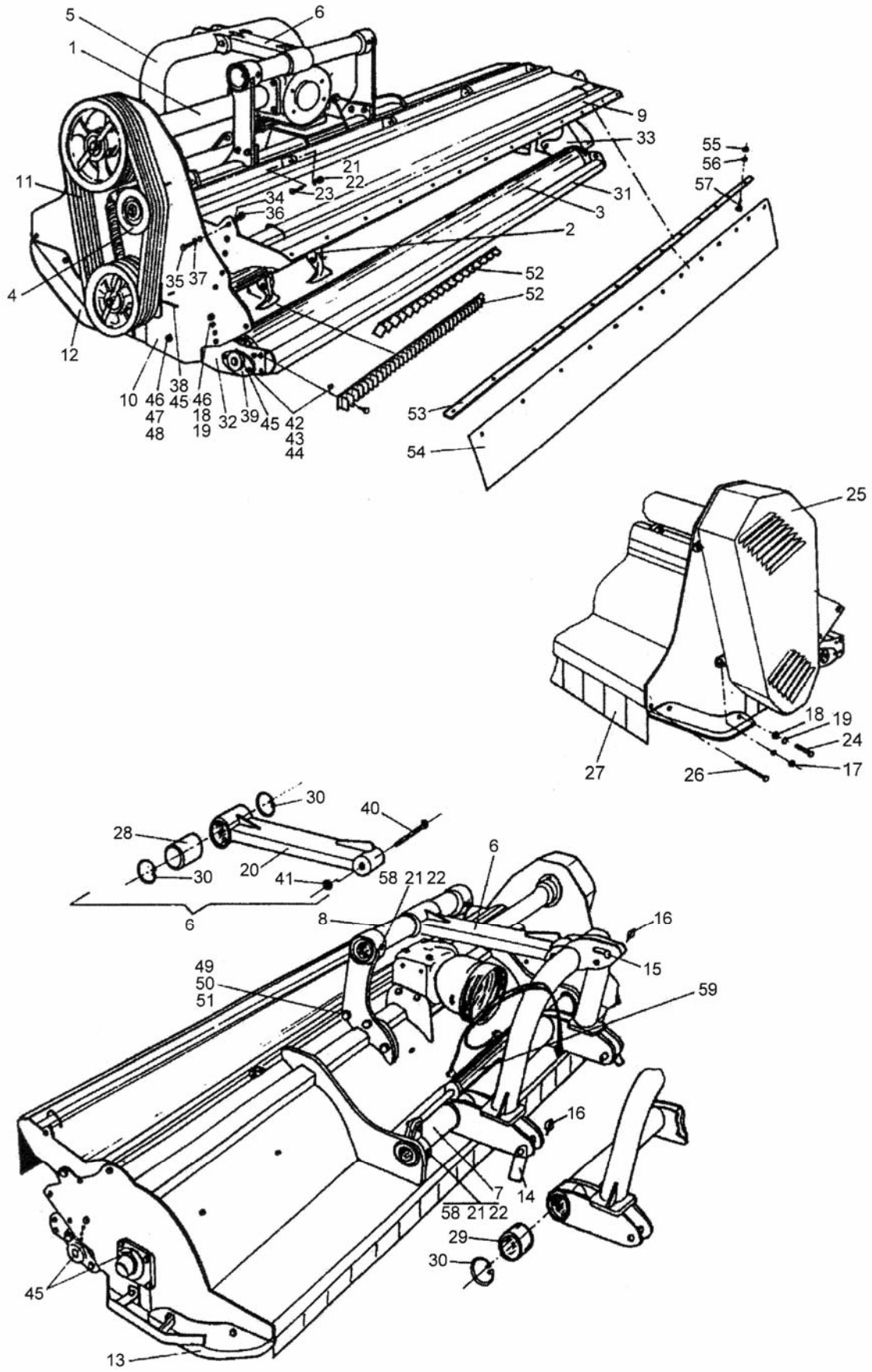
USE ONLY GENUINE BOMFORD TURNER SERVICE PARTS

To be assured of the latest design improvements purchase your 'Genuine Replacements' from the Original Equipment Manufacturer through your local Dealer or Stockist.

Always quote:

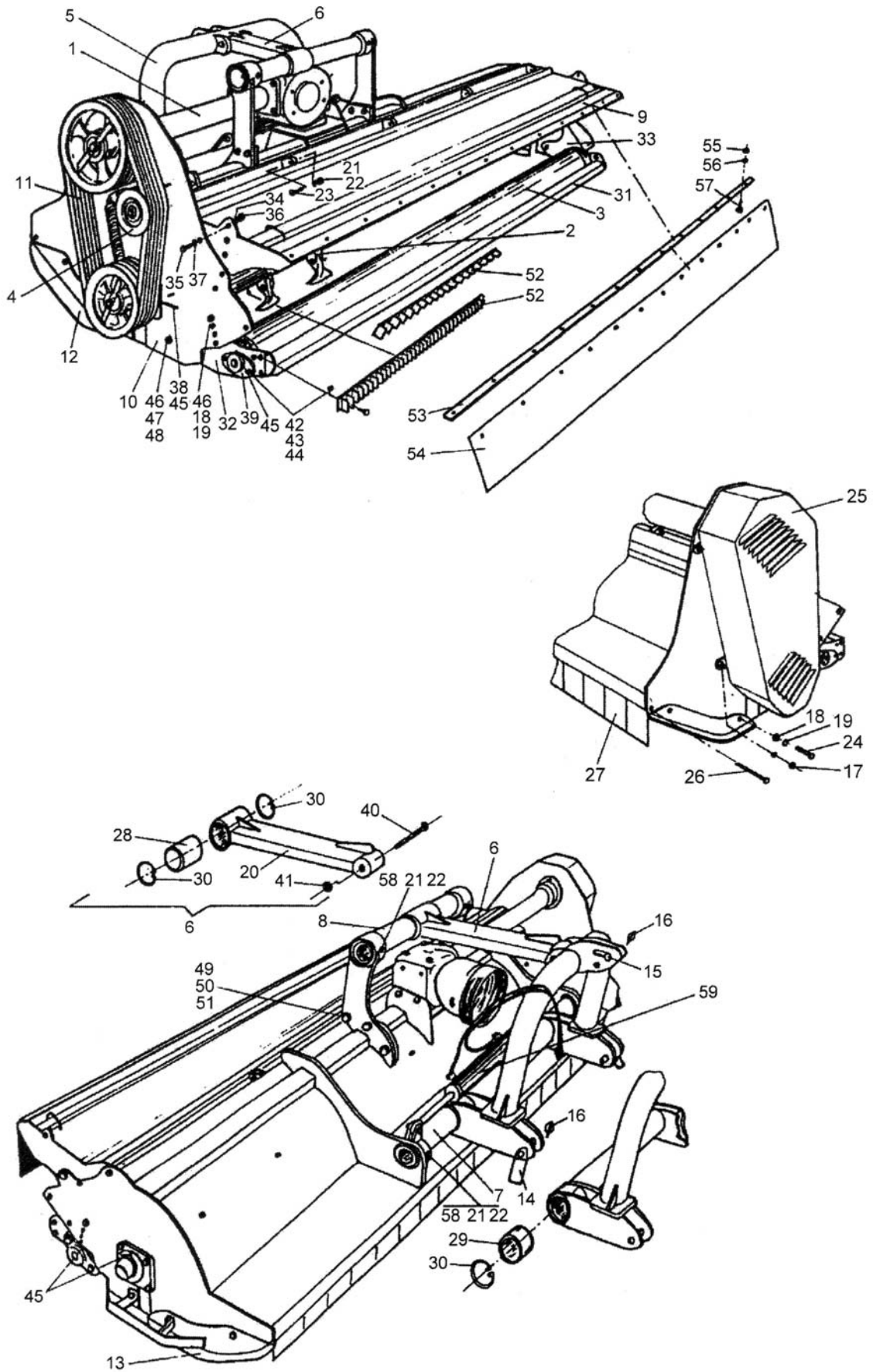
- ***Machine Type***
- ***Serial Number***
- ***Part Number***

Design Improvements may have altered some of the parts listed in this manual – The latest part will always be supplied when it is interchangeable with an earlier one.

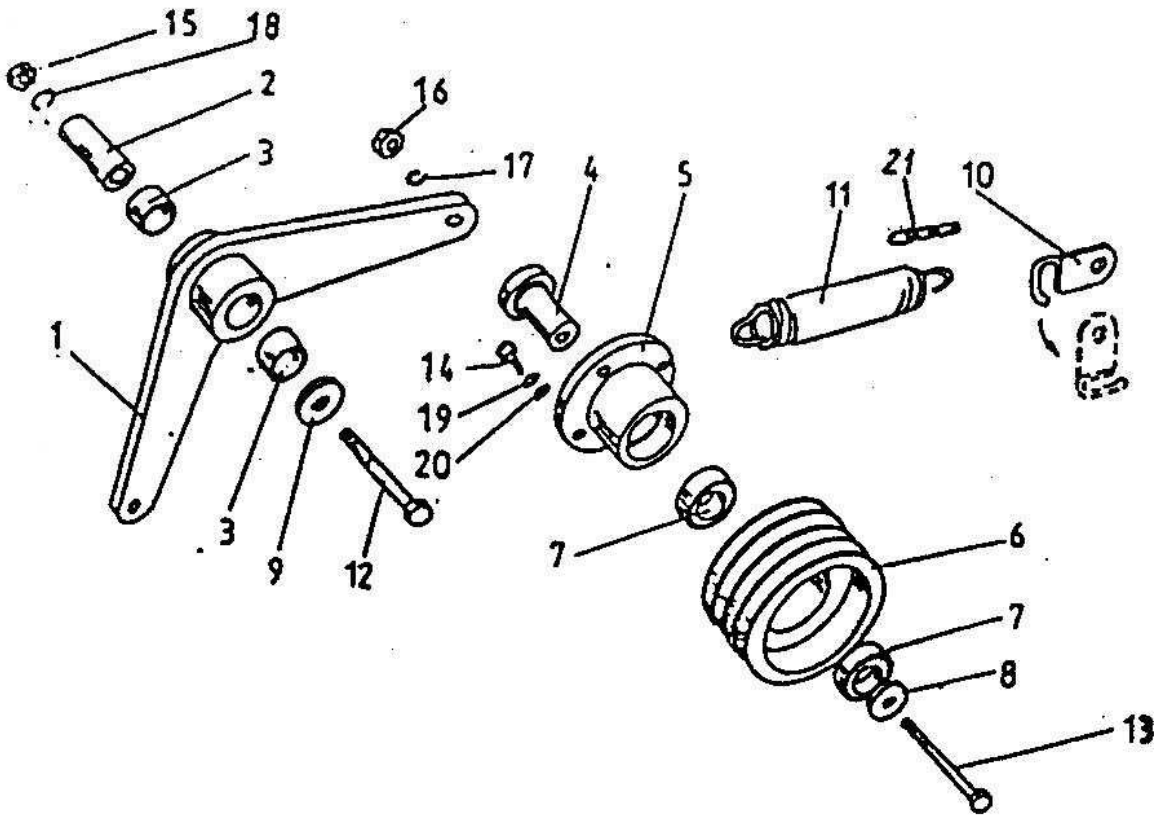


MAIN ASSEMBLY

REF	DESCRIPTION	PART NO	QUANTITY		
			2.4	2.7	3.0
1	Gearbox 990 c/w ext tube 540 rpm	1061250 ▲	n/a	1	n/a
1	Gearbox 1400 c/w ext tube 540 rpm	1061251 ▲	n/a	n/a	1
2	Rotor 245		1	n/a	n/a
2	Rotor 270	1061252	n/a	1	n/a
2	Rotor 300	1061253	n/a	n/a	1
3	Roller rear 245		1	n/a	n/a
3	Roller rear 270	1061254	n/a	1	n/a
3	Roller rear 300	1061255	n/a	n/a	1
4	Strain pulley cpl	1061256	1	1	1
5	Connecting bow	1061257	1	1	1
6	Connecting bar cpl	1061258	1	1	1
7	Guidance 1600	1061259	1	1	1
8	Guidance 800	1061260	1	1	1
9	Flap rear 245		1	n/a	n/a
9	Flap rear 270	1061261	n/a	1	n/a
9	Flap rear 300	1061262	n/a	n/a	1
10	Frame 245/02		1	n/a	n/a
10	Frame 270/02	1061263	n/a	1	n/a
10	Frame 300/02	1061264	n/a	n/a	1
11	Belt SPB 1800	1061265	4	5	5
12	Skid left	1061266	1	1	1
13	Skid right	1061267	1	1	1
14	Pivot pin 28	1061268	2	2	2
15	Pivot pin 19/25	1061168	1	1	1
16	Safety pin 10	1061269	3	3	3
17	Locknut M10	9143005	4	4	4
18	Nut M16	9113007	6	6	6
19	Spring washer 16	9100207	6	6	6
20	Connecting bar	1061270	1	1	1
21	Locknut M12	9143006	9	9	9
22	Washer 12	9100106	9	9	9
23	Bolt M12x55	9213116	5	5	5
24	Bolt M16x40	9313087	4	4	4
25	Belt shield for RH machines	1061271	1	1	1
25	Belt shield for LH Machines	1061352	1	1	1
26	Flap rod 245		1	n/a	n/a
26	Flap rod 270	1061272	n/a	1	n/a
26	Flap rod 300	1061273	n/a	n/a	1
27	Flap 140	1061274	n/a	18	n/a
27	Flap 55	1061275	n/a	1	n/a
28	Bushing 45	1061276	1	1	1
29	Bushing 100	1061277	1	1	1
30	Slide piece 100	1061175	4	4	4
31	Scraper 245		1	n/a	n/a
31	Scraper 270	1061278	n/a	1	n/a
31	Scraper 300	1061279	n/a	n/a	1
32	Roller bracket left	1061280	1	1	1
33	Roller bracket right	1061281	1	1	1
34	Spring washer 14	05.282.08	2	2	2
35	Bolt M14x35	9300163	2	2	2
36	Nut M14	1061121	2	2	2
37	Washer 14	05.281.14	2	2	2



REF	DESCRIPTION	PART NO	QUANTITY		
			2.4	2.7	3.0
38	Grease tube	1061282	1	1	1
39	Roller bearing 16208	1061283	2	2	2
40	Bolt M24x190	9213389	1	1	1
41	Locknut M24	9143009	1	1	1
42	Bolt M12x40	9213086	8	8	8
43	Nut M12	9113006	8	8	8
44	Spring washer 12	9100206	8	8	8
45	Grease nipple	0901161	4	4	4
46	Bolt M16x45	9313097	4	4	4
47	Locknut M16	9143007	2	2	2
48	Washer 16	9100107	2	2	2
49	Bolt M20x75	9213158	6	6	6
50	Locknut M20	9143008	6	6	6
51	Washer 20	9100108	6	6	6
52	Counter blade upper 245	1061284	2	n/a	n/a
52	Counter blade upper 270	1061285	n/a	2	n/a
52	Counter blade upper 300	1061286	n/a	n/a	2
53	Bar 245	1061287	1	n/a	n/a
53	Bar 270	1061288	n/a	1	n/a
53	Bar 300	1061289	n/a	n/a	1
54	Rubber flap 245	1061290	1	n/a	n/a
54	Rubber flap 270	1061291	n/a	1	n/a
54	Rubber flap 300	1061292	n/a	n/a	1
55	Locknut M8	9143004	9	9	9
56	Washer 8	9100104	9	9	9
57	Bolt M8x40	9213084	9	9	9
58	Bolt M12x1402	1061293	2	2	2
59	Hydraulic Ram	1061294	1	1	1



DRIVE & STRAIN PULLEY

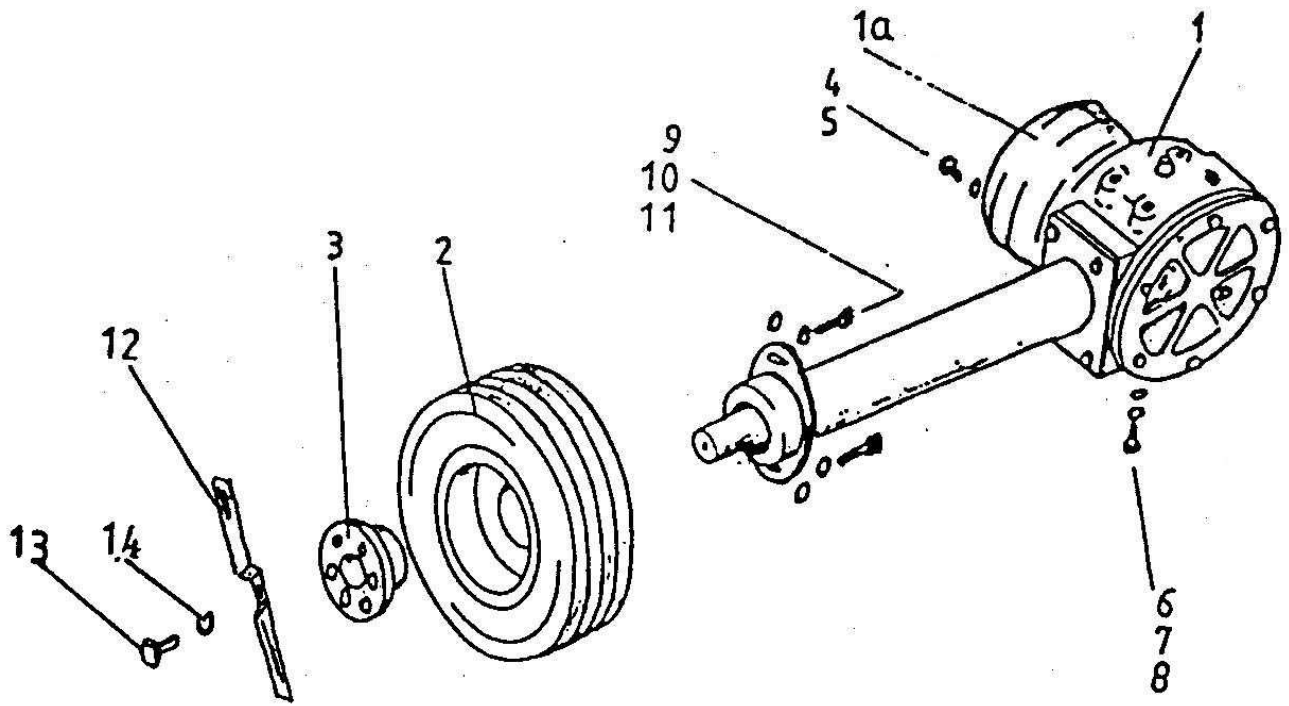
REF	DESCRIPTION	PART NO	QUANTITY		
			2.4	2.7	3.0
1	Lever	1061330	1	1	1
2	Bushing	1061331	1	1	1
3	Bearing sleeve	1061332	1	2	2
4	Axle	1061333	1	1	1
5	Bearing casing	1061334	1	1	1
6	Pulley 4 SPB 130/5 SPB 130/1	1061335	1	1	1
7	Bearing 6006 2RS	1061336	1	2	2
8	Washer	1061337	1	1	1
9	Washer	1061338	1	1	1
10	Hook	1061339	1	1	1
11	Spring	1061340	1	1	1
12	Bolt M16x80	9313167	1	1	1
13	Bolt M12x110	9213226	1	1	1
14	Bolt M8x20	9313044	1	1	1
15	Nut M16	9113007	1	1	1
16	Nut M12	9113006	1	1	1
17	Spring washer M12	9100206	1	1	1
18	Spring washer M16	9100207	1	1	1
19	Spring washer M8	9100204	1	1	1
20	Washer M8	9100104	1	1	1
21	Chain	1061341	1	1	1

Miscellaneous Parts

05.774.07	Serial Number Plate	1
05.227.01	Hammer drive Screw	2
42695.06▶	PTO Shaft	1
42695.01▲	PTO Shaft	1
45645.01	Decal "Bomford"	1
7135295	Decal "Tighten Check Chains"	1

▶ Up to October 2004

▲ After October 2004

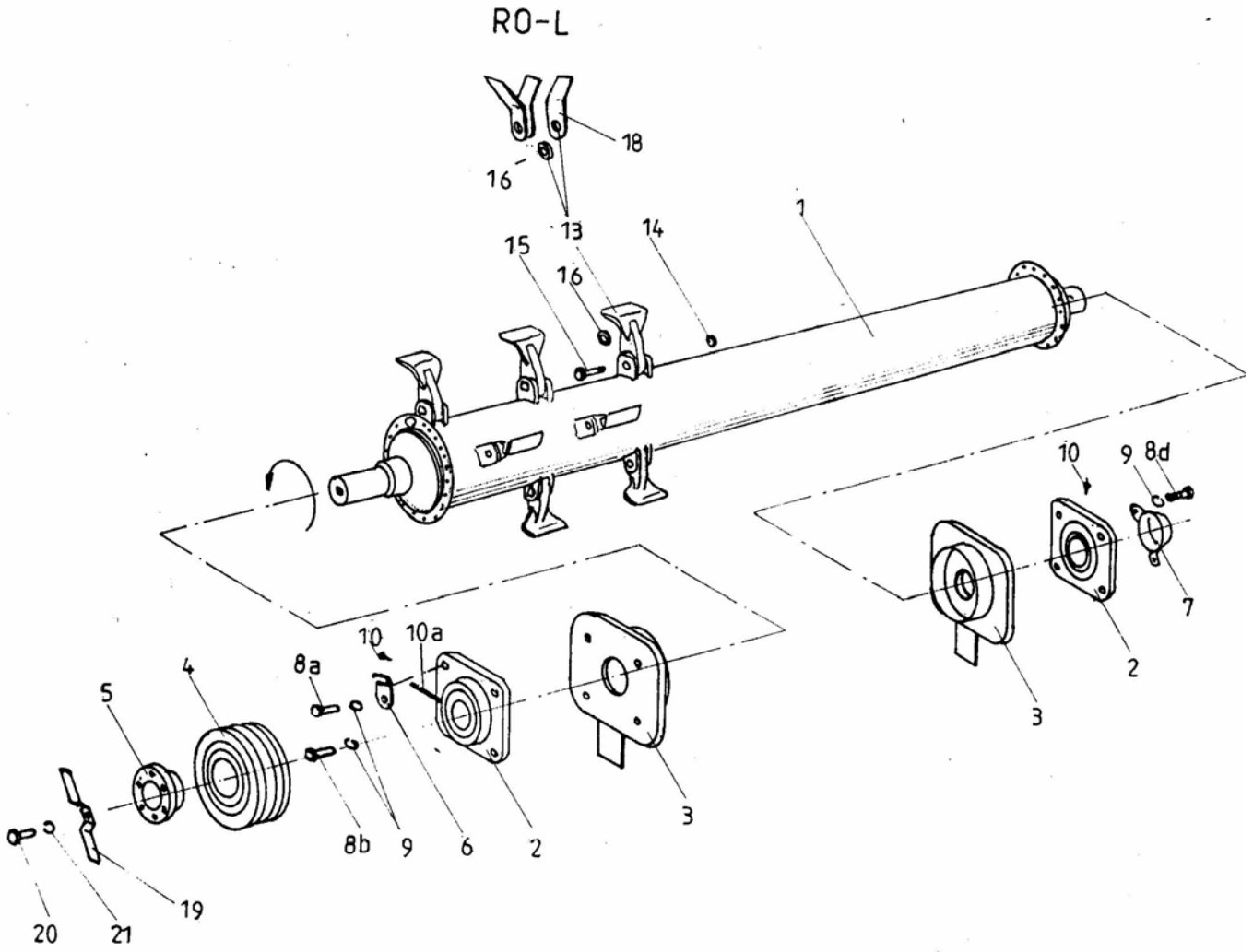


<u>Nr</u>	<u>DRIVE CPL.-part</u>	<u>PART NO.</u>	<u>2.4</u>	<u>2.7</u>	<u>3.0</u>
1	Gearbox 540 RPM ►	1061345	1	1	1
1	Gearbox 1000 RPM ▲	47201.01	1	1	1
1a	PVC shield	595401	1	1	1
2	Pulley 300-4	595402	1	n/a	n/a
2	Pulley 300-5		n/a	1	1
3	Elve clutch	595403	1	1	1
4	Bolt M8x15	10248	4	4	4
5	Washer M8	10218	4	4	4
6	Bolt M16x40	10282	4	4	4
7	Washer M16	10222	4	4	4
8	Spring washer M16	10235	4	4	4
9	Bolt M14x40	10993	2	2	2
10	Washer M14	10221	2	2	2
11	Spring washer M16	10234	2	2	2
12	Propeller blade	595350	1	1	1
13	Bolt M 12x20	10267	1	1	1
14	Spring washer M12	10233	1	1	1

► Up to October 2004

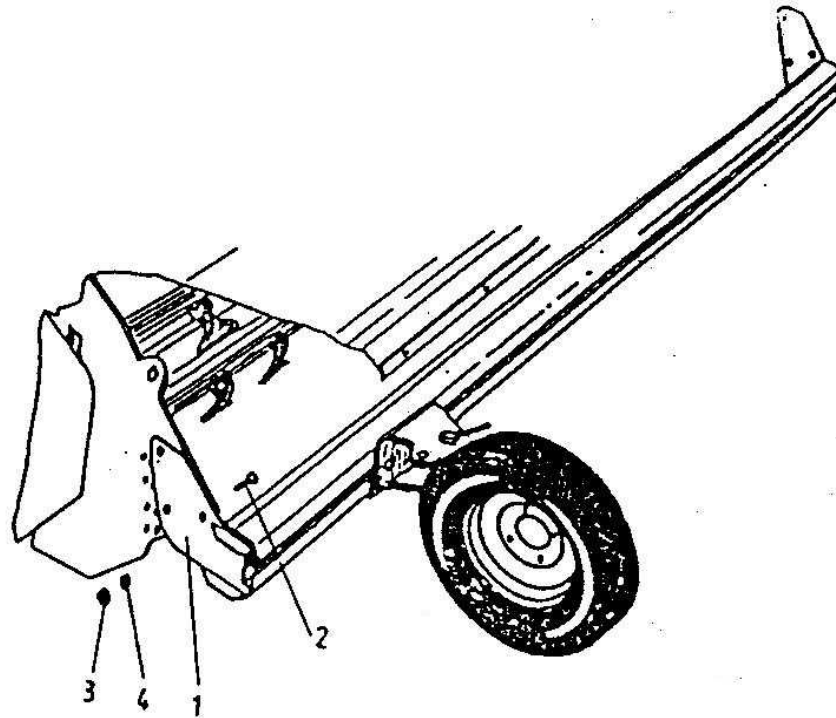
▲ After October 2004

NOTE FOR DETAILS OF GEARBOXES SEE PAGES 35 TO 38



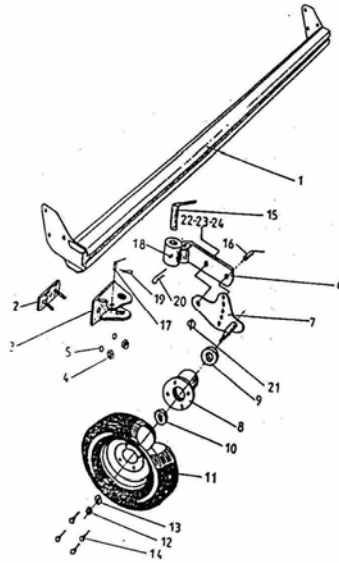
<u>Nr.</u>	<u>ROTOR CPL.-part</u>	<u>PART NO.</u>	<u>2.4</u>	<u>2.7</u>	<u>3.0</u>
1	rotor	1061314		1	
2	Bearing SKF FY 55W	1061315	2	2	2
3	Bearing plate	1061316	2	2	2
4	Pulley 4 SPB 180/5 SPB 180/	1061317	1	1	1
5	Elve clutch	1061318	1	1	1
6	hook	1061319	1	1	1
7	Bearing lid	1061320	1	1	1
8	Bolt M16x50	9213107	8	8	8
9	Spring washer M16	9100207	8	8	8
10	Grease nipple	1061321	2	2	2
11	Grease nipple extension	1061322	1	1	1
12	Bushing	1061323	24	28	32
13	hammer	1061324	24	28	32
14	Locknut M20	10204	24	28	32
15	Bolt M20x85	9213178	24	28	32
16	Hammer distant sleeve	1061036	72	84	96
17	Y-washer	9100108	24	28	32
18	y- blades	1061325	72	84	96
18a	Flat blades	1061326	48	56	64
18b	Ventilation pallet blades	1061327	24	28	32
18c	Counter blades for cereals	1061328	1	1	1
19	Propeller blade	1061329	1	1	1
20	Bolt M 12x20	9313046	1	1	1
21	Spring washer 12	9100206	1	1	1

ROTOR CPL.

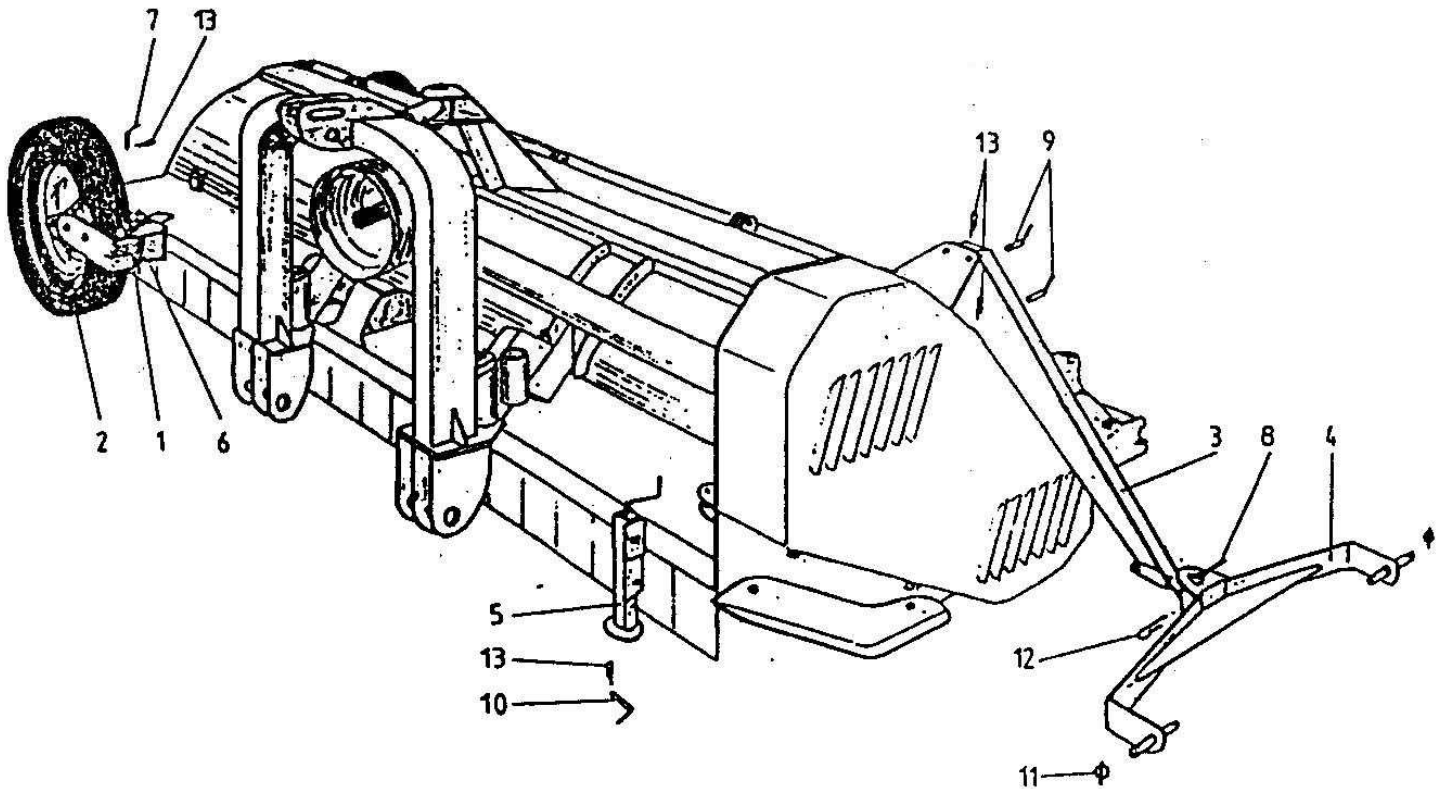


<u>Nr.</u>	<u>WHEEL SUPPORT CPL.-part</u>	<u>PART NO.</u>	<u>2.4</u>	<u>2.7</u>	<u>3.0</u>
1	Wheel support	595600	1	1	1
2	Bolt M 16x50	11934	6	6	6
3	Locknut	10205	6	6	6
4	Spring washer fi 16	10234	8	6	6

WHEEL SUPPORT CPL.

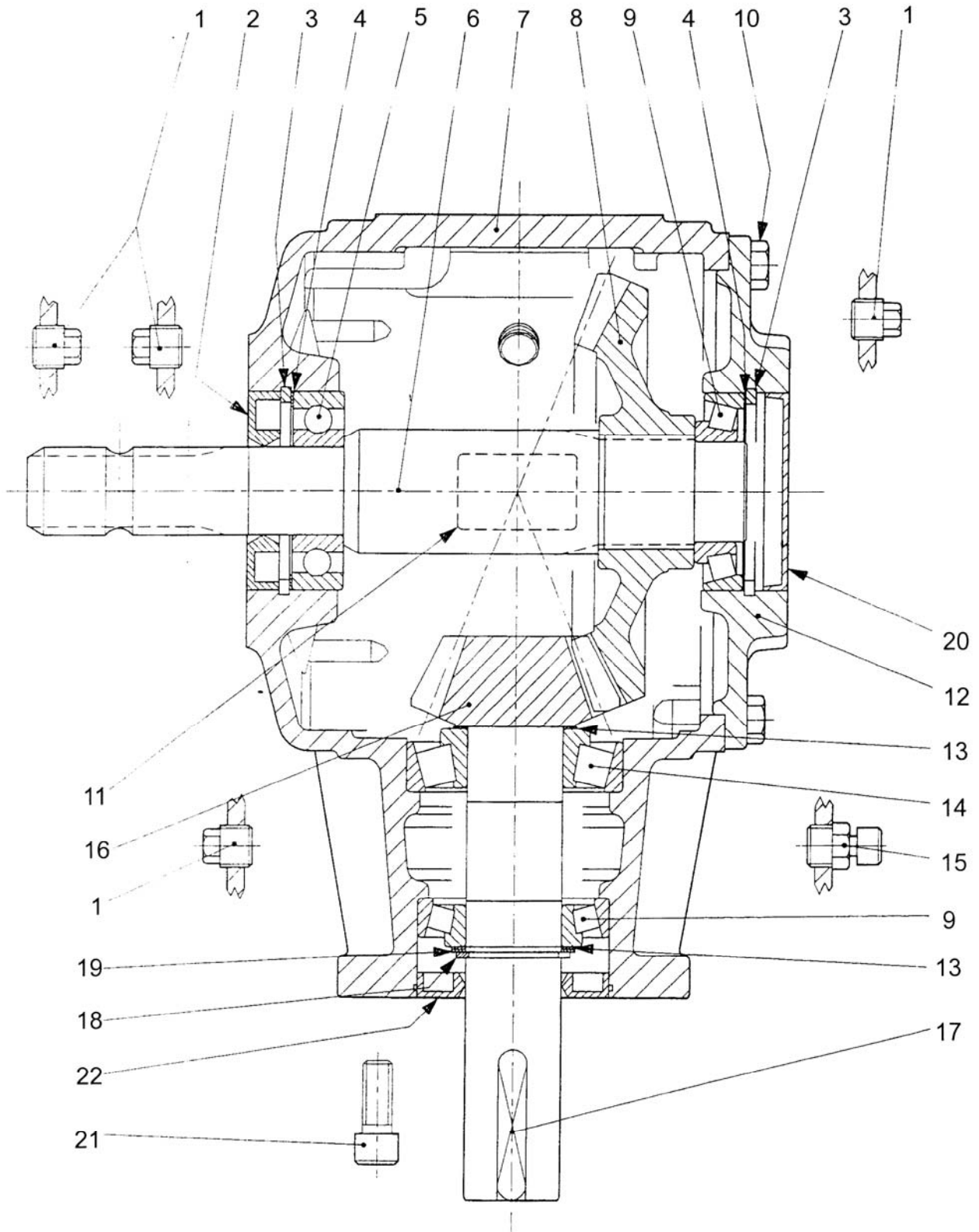
**WHEEL**

<u>REF</u>	<u>DESCRIPTION</u>	<u>PART NO</u>	<u>QUANTITY</u>		
			<u>2.4</u>	<u>2.7</u>	<u>3.0</u>
1	Support bar	1061295	1	1	1
2	Fixing plate	1061296	2	2	2
3	Rear fork - left and right	1061297	1+1	1+1	1+1
4	Locknut M 20	9143008	4	4	4
5	Washer fi 20	9100108	4	4	4
6	Bracket right	1061298	1	1	1
6	Bracket left	1061299	1	1	1
7	Wheel bracket - left and right	1061300	1+1	1+1	1+1
8	Wheel sleeve	1061301	2	2	2
9	Bearing 6207 2RS	1061302	2	2	2
10	Bearing 6205 2RS	1061303	2	2	2
11	Wheel	1061304	2	2	2
12	Locknut M 16	9143007	2	2	2
13	Ring fi 16/fi 52	1061305	2	2	2
14	Bolt M 12x1,25	1061306	8	8	8
15	Pivot pin fi 36	1061307	2	2	2
16	Pivot pin fi 25	1061308	2	2	2
17	Pivot pin fi 16	1061309	2	2	2
18	Grease nipple M 8x1	1061310	2	2	2
19	Safety pin R3	1061076	2	2	2
20	Safety pin R5	1061311	2	2	2
21	Safety pin fi 7	1061312	2	2	2
22	Bolt M 12x20	9313046	2	2	2
23	Ring fi 20/fi 30	1061313	2	2	2
24	Spring washer M 12	9100206	2	2	2



<u>Nr.</u>	<u>PULL SHAFT</u>	<u>PART NO.</u>	<u>2.4</u>	<u>2.7</u>	<u>3.0</u>
1	Wheel bracket	595604	2	2	2
2	Wheel 145-13	595602	2	2	2
3	Pull shaft	595607			1
4	Mounting bar	595607-8			1
5	Jack (for lifting)	595606			1
6	Pivot pin fi 36	595610	2	2	2
7	Pivot pin fi 16	595613	2	2	2
8	Pivot pin fi 28	595607-12			1
9	Pivot pin fi 20	595600			2
10	Pivot pin fi 14	595614			1
11	Safety pin fi 7	10990			2
12	Safety pin R5	11896			1
13	Safety pin R3	10327	2	2	2

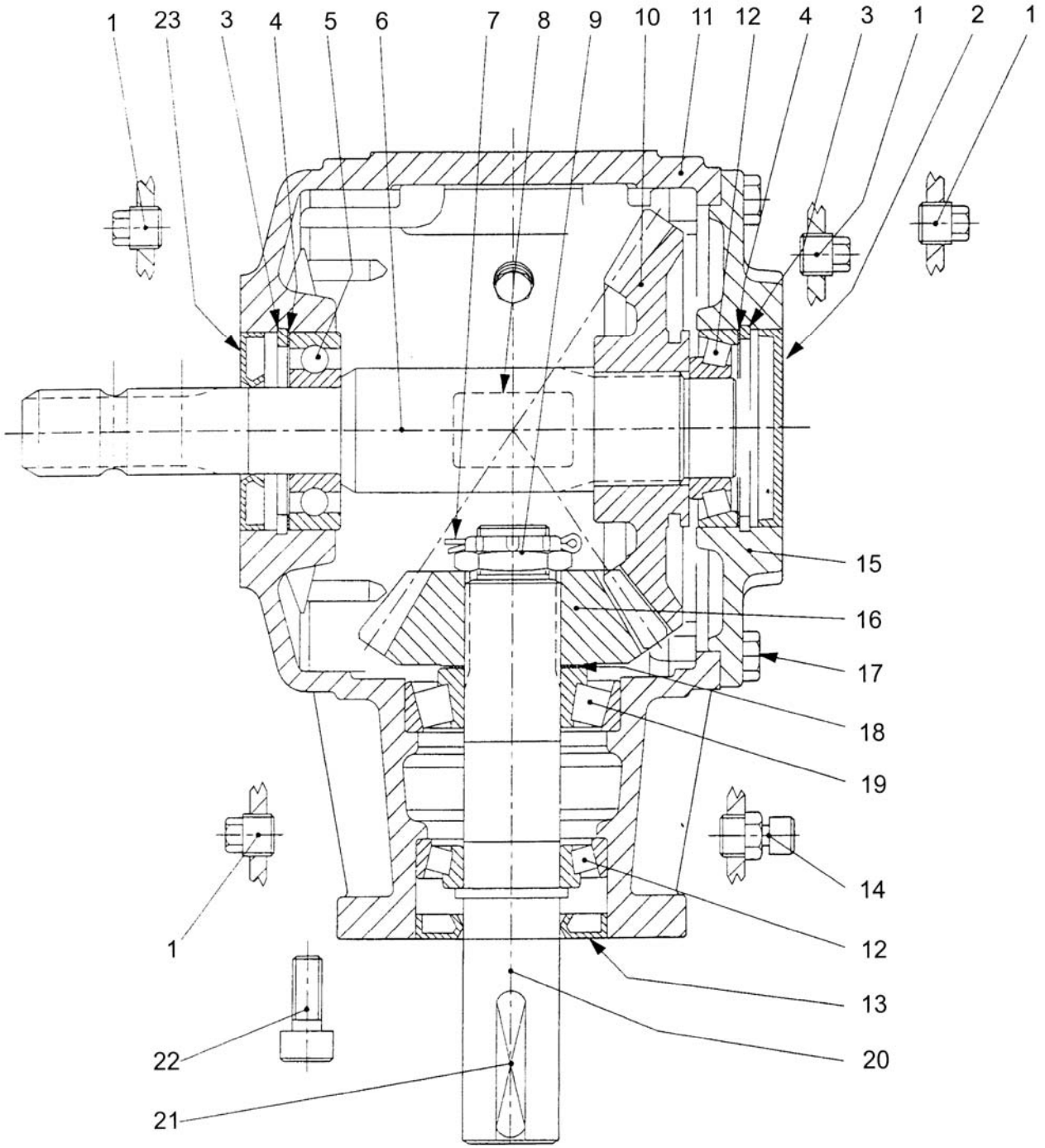
GEARBOX 106 1345 – 540RPM



GEARBOX 106 1345 – 540RPM

ITEM NO	PART NO	DESCRIPTION	QTY
1	-	PLUG	4
2	47201.31	OIL SEAL	1
3	47201.32	SNAP RING	2
4	-	SHIM	2
5	47201.33	BALL BEARING	1
6	47201.30	SHAFT	1
7	47201.34	CASING	1
8	47201.35	CROWN WHEEL	1
9	47201.36	BEARING	2
10	-	BOLT	8
11	-	PLATE	1
12	-	COVER	1
13	47201.37	SHIM KIT	1
14	47201.38	BEARING	1
15	-	OIL FILLER PLUG	1
16	47201.39	PINION	1
17	-	KEY	1
18	47201.40	SNAP RING	1
19	-	SHIM	1
20	47201.41	CAP	1
21	-	BOLT	4
22	47201.42	OIL SEAL	1

GEARBOX 42701.01 – 1000RPM



GEARBOX 42701.01 – 1000RPM

ITEM NO	PART NO	DESCRIPTION	QTY
1	-	PLUG	4
2	43701.41	CAP	1
3	42701.32	SNAP RING	2
4	-	SHIM	2
5	42701.33	BALL BEARING	1
6	42701.30	SHAFT	1
7	-	COTTER PIN	1
8	-	PLATE	1
9	-	NUT	1
10	-	CROWN WHEEL	1
11	42701.34	CASING	1
12	42701.36	BEARING	2
13	42701.42	OILSEAL	1
14	-	OIL FILLER	1
15	-	COVER	1
16	-	PINNION	1
17	-	BOLT	8
18	42701.37	SHIM KIT	1
19	42701.38	BEARING	1
20	-	SHAFT	1
21	-	KEY	1
22	-	BOLT	4
23	42701.31	OIL SEAL	1

EXTENSION TUBE

TURBOPRO 2.4	-
TURBOPRO 2.7	47201.03
TURBOPRO 3.0	47201.02