

PM1799

TRIMMING
1200 & 1500
CUTTING HEADS

PARTS MANUAL

ISSUE 5

TRIM-KING 1200 AND 1500 PARTS MANUAL

PAGE AND ILLUSTRATION NUMBERS SHOWN ARE USED ONLY FOR REFERENCE PURPOSES AND SHOULD NOT BE USED FOR ORDERING SPARE PARTS.

PLEASE ENSURE THE CORRECT PART NUMBER AND DESCRIPTION IS GIVEN WHEN ORDERING SPARE PARTS.

**For Trim-King Heads with serial nos. commencing from3606JA/99.....
For Trim-King Heads with serial numbers prior to above,
refer to Parts Manual 1737, issue 11**

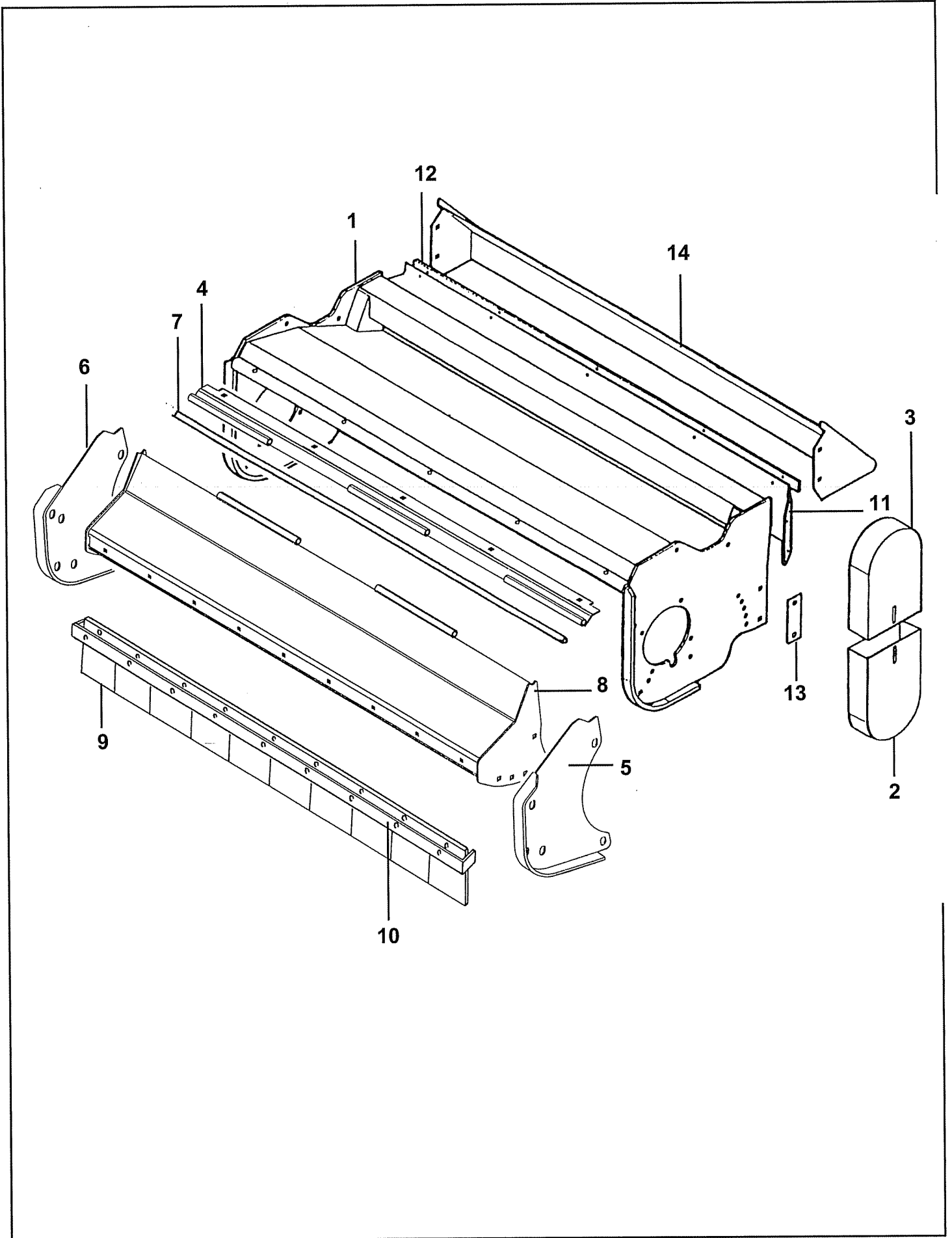
Page No.	Section
2 - 1 TO 2 - 2	COWL ASSEMBLY 1200
2 - 3 TO 2 - 4	COWL ASSEMBLY 1500
3 - 1 TO 3 - 2	BEARING ASSEMBLY 1200 - 1500 COWL WEAR BRACKET KIT
4 - 1 TO 4 - 2	ROLLER ASSEMBLY 1200 AND 1500
5 - 1 TO 5 - 2	MOTOR ASSEMBLY 84 LITRE
5 - 3 TO 5 - 4	MOTOR ASSEMBLY 100 LITRE
5 - 5 TO 5 - 6	MOTOR ASSEMBLY 125 LITRE
5 - 7 TO 5 - 8	MOTOR ASSEMBLY PISTON
6 - 1 TO 6 - 2	ROTOR SHAFT ASSEMBLIES 1200
6 - 3 TO 6 - 6	
7 - 1 TO 7 - 2	ROTOR SHAFT ASSEMBLIES 1500
7 - 3 TO 7 - 6	
8 - 1 TO 8 - 2	DECALS

IMPORTANT

THIS MACHINE IS DESIGNED FOR VEGETATION CONTROL
AND MUST NOT BE USED FOR ANY OTHER PURPOSE

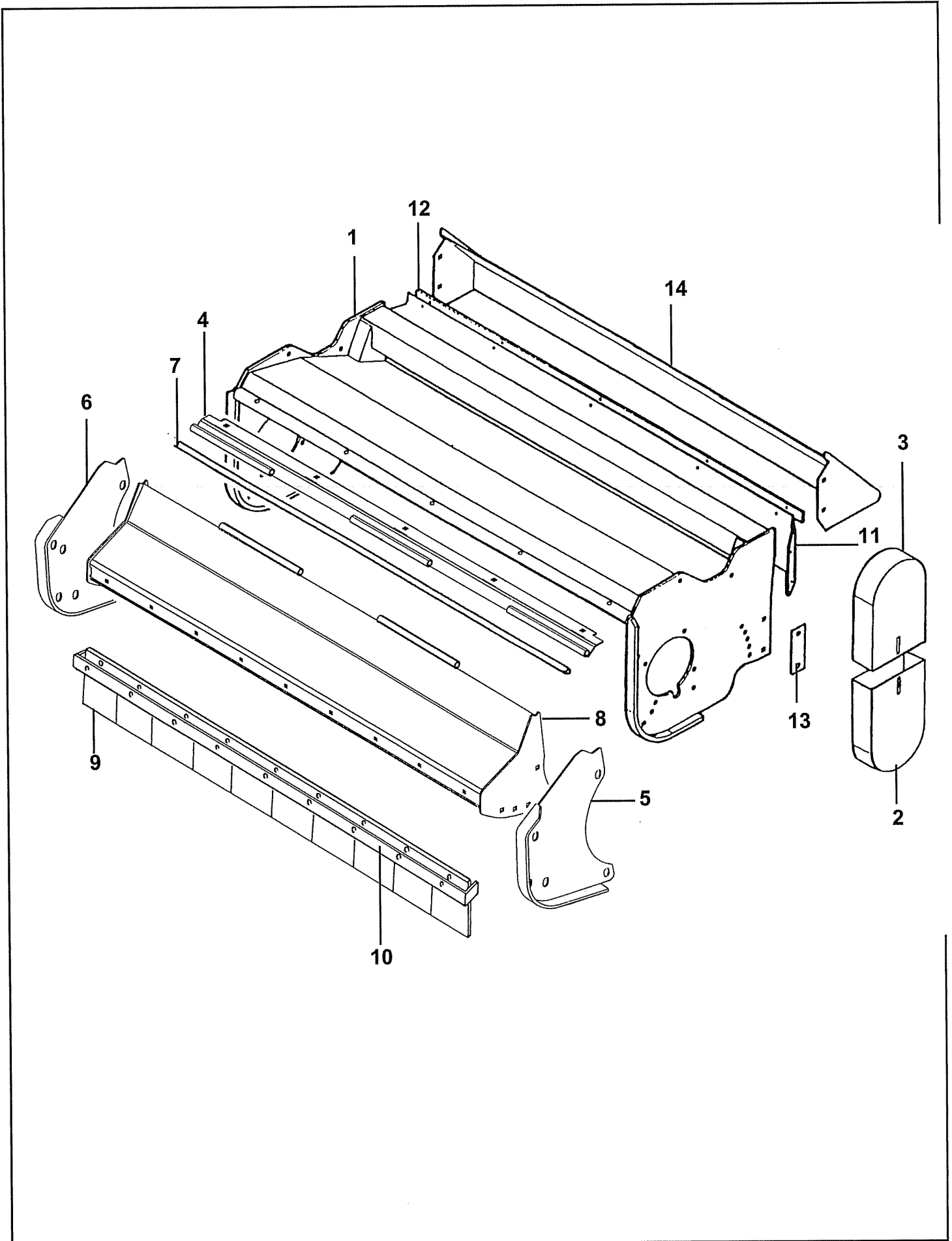
IT IS POTENTIALLY HAZARDOUS TO FIT OR USE
ANY PARTS OTHER THAN GENUINE BOMFORD TURNER PARTS

THE COMPANY DISCLAIMS ALL LIABILITY FOR THE
CONSEQUENCES OF SUCH USE, WHICH IN ADDITION
VOIDS THE MACHINE WARRANTY



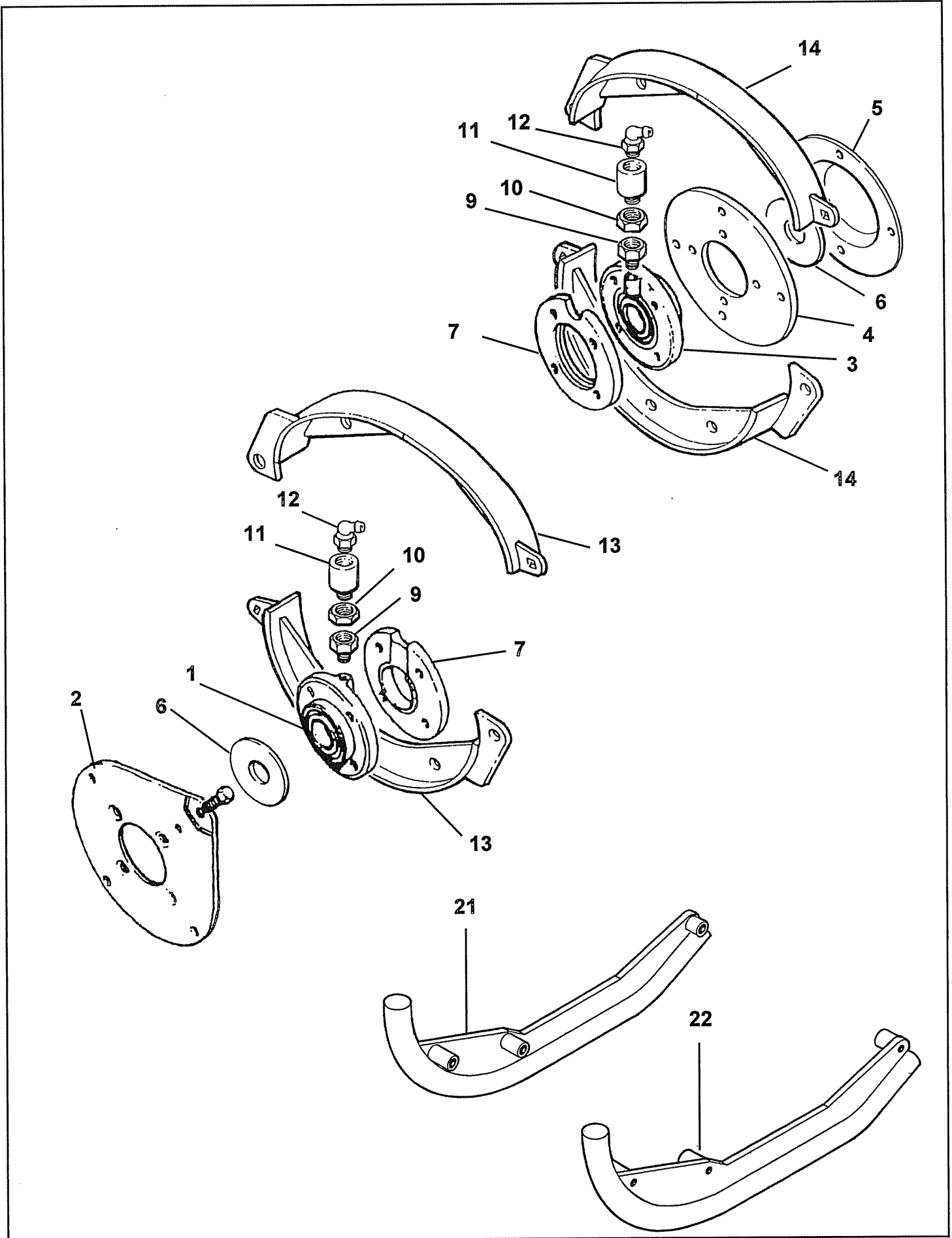
REF	PART NO.	DESCRIPTION	QTY
76.286.03/05/19/22 COWL 1200 ASSEMBLY			
01	05.227.01	HAMMER DRIVE SCREW NO.6 X 3/8"	2
01	05.282.03	SPRING WASHER 12MM PLATED	6
01	05.286.03	NUT M12 PLATED	6
01	05.774.06	SERIAL NO.PLATE BOMFORD TURNER	1
01	05.839.26	BOLT CUP SQ M12 X 30 (PLATED)	6
*01	41885.02	COWL - 1200	1
02	05.264.21	SETSCREW M12 X 20MM PLATED	1
02	05.281.03	FLAT WASHER 12MM PLATED	1
02	05.282.03	SPRING WASHER 12MM PLATED	1
*02	06.205.02	GUARD - DRIVE BOTTOM	1
03	05.264.21	SETSCREW M12 X 20MM PLATED	2
03	05.282.03	SPRING WASHER 12MM PLATED	2
03	41937.01	GUARD-TOP DRIVE (PISTON)	1
*03	06.222.01	GUARD-TOP DRIVE (GEAR)	1
04	05.287.02	SELF-LOCKING NUT M10 PLATED	5
04	05.839.24	BOLT CUP SQ M10 X 50 (PLATED)	5
*04	42982.01	FRONT GUARD	1
05	05.281.03	FLAT WASHER 12MM PLATED	1
05	05.282.03	SPRING WASHER 12MM PLATED	3
05	05.286.03	NUT M12 PLATED	3
05	05.839.26	BOLT CUP SQ M12 X 30 (PLATED)	3
*05	42981.03	GUARD - SIDEPLATE LH	1
06	05.281.03	FLAT WASHER 12MM PLATED	1
06	05.282.03	SPRING WASHER 12MM PLATED	3
06	05.286.03	NUT M12 PLATED	3
06	05.839.26	BOLT CUP SQ M12 X 30 (PLATED)	1
06	05.839.27	BOLT CUP SQ M12 X 25 (PLATED)	2
*06	42981.04	GUARD - SIDEPLATE RH	1
07	42986.01	PIN PIVOT	1
08	42979.02	GUARD - FRONT 1200	1
09	42297.01	GUARD - FLEXIBLE FRONT 1200	1
10	05.287.01	SELF-LOCKING NUT M8 PLATED	9
*10	42984.02	STRIP - BACKING 1200	1
10	9293054	BOLT CUP SQUARE M8 X 25 (PLATE)	9
11	41884.01	GUARD - FLEXIBLE REAR 1200	1
12	05.287.01	SELF-LOCKING NUT M8 PLATED	9
*12	09.594.03	STRIP - BACKING 1200	1
12	9293054	BOLT CUP SQUARE M8 X 25 (PLATE)	9
13	05.282.03	SPRING WASHER 12MM PLATED	4
13	05.286.03	NUT M12 PLATED	4
13	05.839.26	BOLT CUP SQ M12 X 30 (PLATED)	4
*13	41883.01	CLAMP - GUARD	2
14	05.281.01	FLAT WASHER 8MM PLATED	5
14	05.282.03	SPRING WASHER 12MM PLATED	4
14	05.286.03	NUT M12 PLATED	4
14	05.287.01	SELF-LOCKING NUT M8 PLATED	9
14	05.839.26	BOLT CUP SQ M12 X 30 (PLATED)	4
*14	41906.01	GUARD - REAR 1200	1
14	9293054	BOLT CUP SQUARE M8 X 25 (PLATE)	9

*MAIN PART IN GROUP, RELATED PARTS HAVE SAME REFERENCE NUMBER



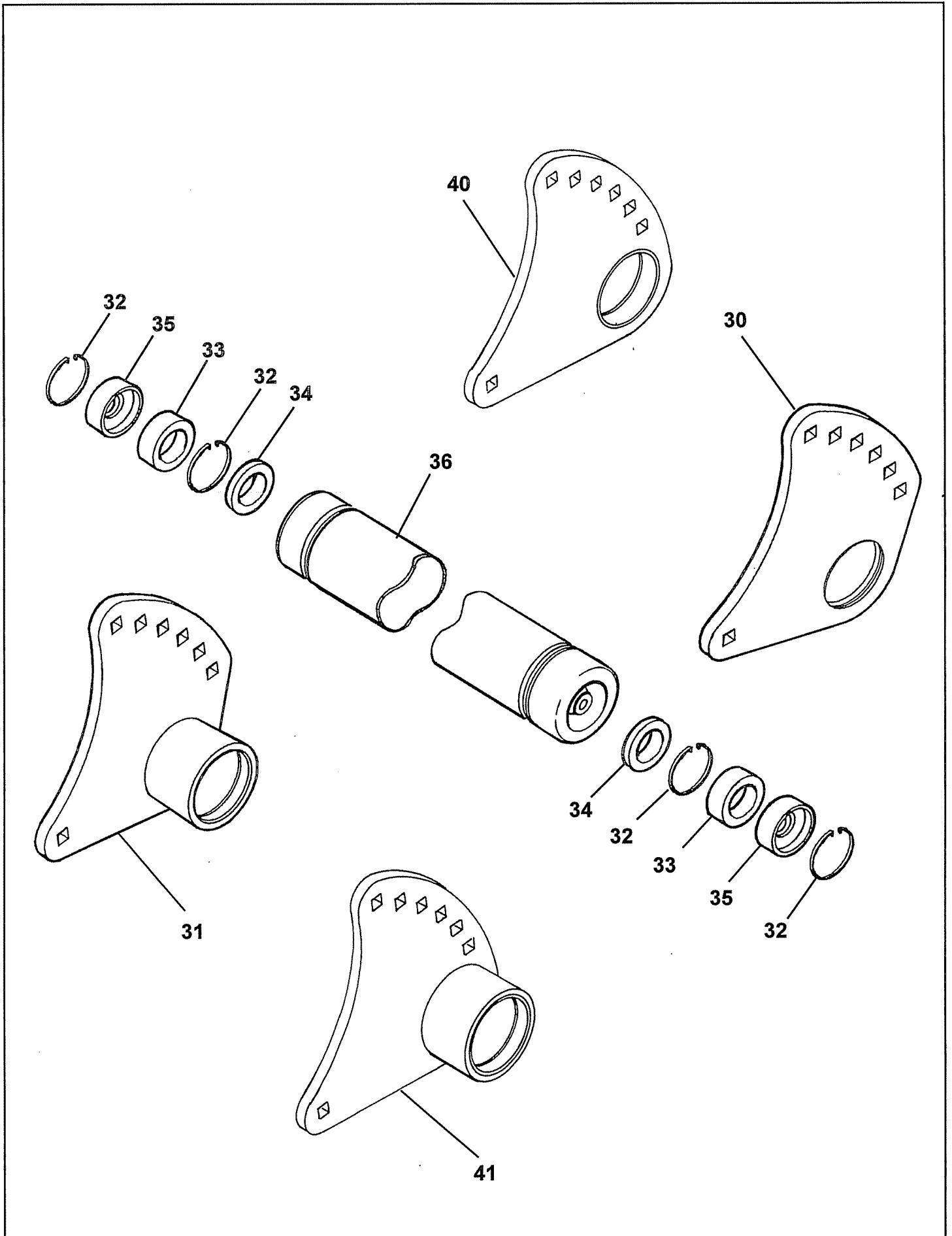
REF	PART NO.	DESCRIPTION	QTY
76.286.07/ 20, 76.477.01 COWL 1500 ASSEMBLY			
01	05.227.01	HAMMER DRIVE SCREW NO.6 X 3/8"	2
01	05.282.03	SPRING WASHER 12MM PLATED	6
01	05.286.03	NUT M12 PLATED	6
01	05.774.06	SERIAL NO.PLATE BOMFORD TURNER	1
01	05.839.26	BOLT CUP SQ M12 X 30 (PLATED)	6
*01	41938.02	COWL - 1500	1
02	05.264.21	SETSCREW M12 X 20MM PLATED	1
02	05.281.03	FLAT WASHER 12MM PLATED	1
02	05.282.03	SPRING WASHER 12MM PLATED	1
*02	06.205.02	GUARD - DRIVE BOTTOM	1
03	05.264.21	SETSCREW M12 X 20MM PLATED	2
03	05.282.03	SPRING WASHER 12MM PLATED	2
03	41937.01	GUARD-TOP DRIVE (PISTON)	1
*03	06.222.01	GUARD-TOP DRIVE (GEAR)	1
04	05.287.02	SELF-LOCKING NUT M10 PLATED	6
04	05.839.24	BOLT CUP SQ M10 X 50 (PLATED)	6
*04	42983.01	FRONT GUARD	1
05	05.281.03	FLAT WASHER 12MM PLATED	1
05	05.282.03	SPRING WASHER 12MM PLATED	3
05	05.286.03	NUT M12 PLATED	3
05	05.839.27	BOLT CUP SQ M12 X 25 (PLATED)	3
*05	42981.03	GUARD - SIDEPLATE LH	1
06	05.281.03	FLAT WASHER 12MM PLATED	1
06	05.282.03	SPRING WASHER 12MM PLATED	3
06	05.286.03	NUT M12 PLATED	3
06	05.839.26	BOLT CUP SQ M12 X 30 (PLATED)	1
06	05.839.27	BOLT CUP SQ M12 X 25 (PLATED)	2
*06	42981.04	GUARD - SIDEPLATE RH	1
07	42987.01	PIN PIVOT	1
08	42980.02	GUARD - FRONT 1500	1
09	42297.02	GUARD - FLEXIBLE FRONT 1500	1
10	05.287.01	SELF-LOCKING NUT M8 PLATED	11
*10	42985.02	STRIP - BACKING 1500	1
10	9293054	BOLT CUP SQUARE M8X25 (PLATE)	11
11	41884.02	GUARD - FLEXIBLE REAR 1500	1
12	05.287.01	SELF-LOCKING NUT M8 PLATED	11
*12	09.594.04	STRIP - BACKING 1500	1
12	9293054	BOLT CUP SQUARE M8X25 (PLATE)	11
13	05.282.03	SPRING WASHER 12MM PLATED	4
13	05.286.03	NUT M12 PLATED	4
13	05.839.26	BOLT CUP SQ M12 X 30 (PLATED)	4
*13	41883.01	CLAMP - GUARD	2
14	05.281.01	FLAT WASHER 8MM PLATED	6
14	05.282.03	SPRING WASHER 12MM PLATED	4
14	05.286.03	NUT M12 PLATED	4
14	05.287.01	SELF-LOCKING NUT M8 PLATED	11
14	05.839.26	BOLT CUP SQ M12 X 30 (PLATED)	4
14	41906.02	GUARD - REAR 1500	1
14	9293054	BOLT CUP SQUARE M8 X 25 (PLATE)	11

*MAIN PART IN GROUP, RELATED PARTS HAVE SAME REFERENCE NUMBER



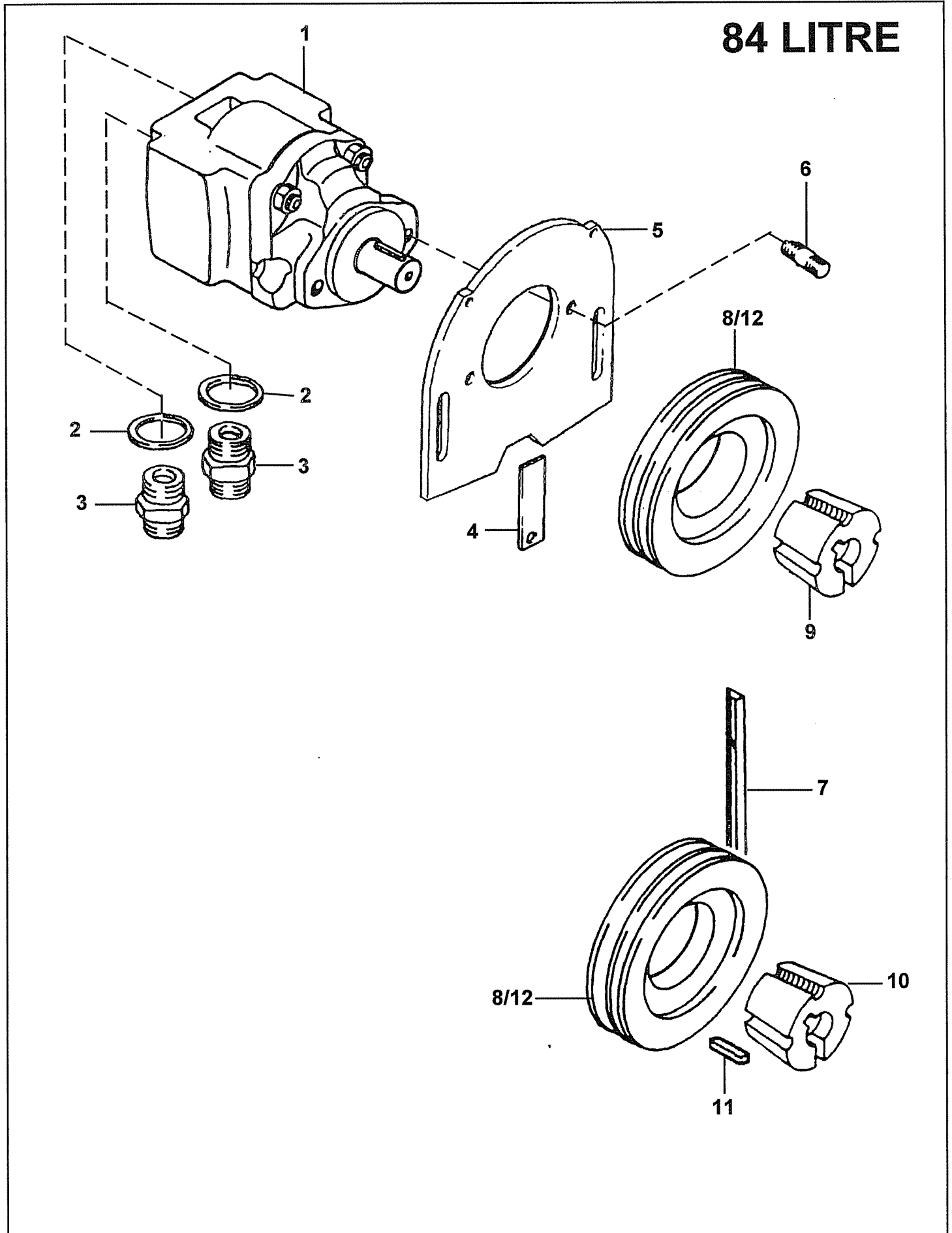
REF	PART NO.	DESCRIPTION	QTY
71.025.04 ROTOR BEARING ASSEMBLY			
01	05.345.10	SOCKET CSK SCREW M12 X 1.75 X 35	4
01	06.221.01	BEARING ASSEMBLY 40 - BORE	1
02	05.282.03	SPRING WASHER 12MM PLATED	4
02	05.286.03	NUT M12 PLATED	4
02	05.625.10	SKT CAPSCRW M12 X 30DOME HD PLT	4
02	06.193.02	PLATE - BEARING DRIVE	1
03	05.264.25	SETSCREW M12 X 40MM PLATED	4
03	05.282.03	SPRING WASHER 12MM PLATED	4
03	06.221.01	BEARING ASSEMBLY 40 - BORE	1
04	05.264.24	SETSCREW M12 X 35MM PLATED	4
04	05.282.03	SPRING WASHER 12MM PLATED	4
04	05.286.03	NUT M12 PLATED	4
04	06.197.01	PLATE-BEARING NON DRIVE	1
05	06.195.01	GUARD-NON DRIVE	1
06	02.824.01	WASHER 50 O/D X 13 I/D X 6MM	2
06	05.264.23	SETSCREW M12 X 30MM PLATED	2
06	05.283.03	SHAKEPROOF WASHER 12MM PLATED	2
07	06.219.01	DISC-SHIELD	2
09	43033.01	ADAPTER 1/8" BSP GREASE	2
10	05.948.40	NUT 1/8" BSP	2
11	43031.01	ADAPTER - GREASE M10	2
12	05.953.04	GREASE NIPPLE M10 90 DEG	2
13	05.282.03	SPRING WASHER 12MM PLATED	2
13	05.286.03	NUT M12 PLATED	2
13	05.839.34	BOLT CUP SQ M12 X 35 (PLATED)	2
13	43030.03	BRACKET - DISC 45 LH	2
14	05.282.03	SPRING WASHER 12MM PLATED	2
14	05.286.03	NUT M12 PLATED	2
14	05.839.34	BOLT CUP SQ M12 X 35 (PLATED)	2
14	43030.04	BRACKET - DISC 45 RH	2
76.370.08/73.370.07 COWL WEAR BRACKET KIT			
21	05.287.03	SELF-LOCKING NUT M12 PLATED	3
21	05.839.30	BOLT CUP SQ M12 X 70 (PLATED)	1
21	05.839.31	BOLT CUP SQ M12 X 80 (SQUARE)	2
*21	41960.04	BRACKET - WEAR RH	1
22	05.287.03	SELF-LOCKING NUT M12 PLATED	3
22	05.839.30	BOLT CUP SQ M12 X 70 (PLATED)	1
22	05.839.31	BOLT CUP SQ M12 X 80 (SQUARE)	2
*22	41960.03	BRACKET - WEAR LH	1

*MAIN PART IN GROUP, RELATED PARTS HAVE SAME REFERENCE NUMBER



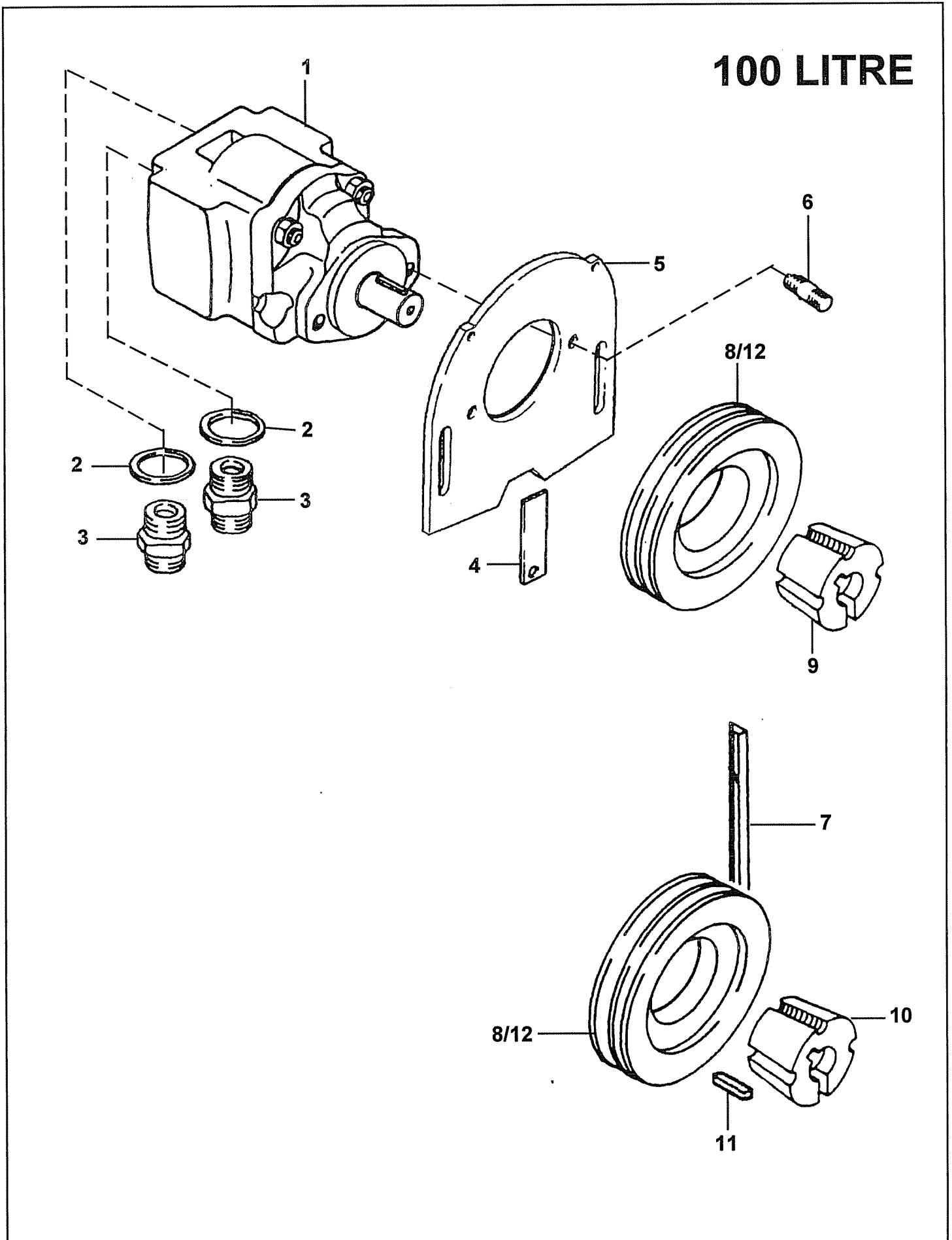
REF	PART NO.	DESCRIPTION	QTY
76.284.02/10 ROLLER ASSEMBLY 150 DIA			
30	41897.07	BRACKET - ROLLER 150 LH	1
31	41897.08	BRACKET - ROLLER 150 RH	1
32	05.959.05	CIRCLIP - INT 62MM DIA	4
33	42954.01	BEARING - D/ROW BALL 30MM BORE	2
34	04.164.04	SEAL-LIP 40DIA X 10MM	2
35	05.953.01	GREASE NIPPLE M6	4
*35	41851.01	CAP - BEARING RETAINER	2
36	05.234.01	WASHER 44.5 X 13 X 5MM PLATED	2
36	05.282.03	SPRING WASHER 12MM PLATED	2
36	05.625.10	SKT CAPSCRW M12 X 30DOME HD PLT	2
*36	42955.04	ROLLER 150 DIA - 1200	1
36	42955.05	ROLLER 150 DIA - 1500	1
76.284.04/11 ROLLER ASSY 115 DIA			
40	41975.05	BRACKET - ROLLER 115 LH	1
41	41975.06	BRACKET - ROLLER 115 RH	1
32	05.959.05	CIRCLIP - INT 62MM DIA	4
33	42954.01	BEARING - D/ROW BALL 30MM BORE	2
34	04.164.04	SEAL-LIP 40DIA X 10MM	2
35	05.953.01	GREASE NIPPLE M6	4
*35	41851.01	CAP - BEARING RETAINER	2
36	05.234.01	WASHER 44.5 X 13 X 5MM PLATED	2
36	05.282.03	SPRING WASHER 12MM PLATED	2
36	05.625.10	SKT CAPSCRW M12 X 30DOME HD PLT	2
*36	42056.01	ROLLER 115 DIA - 1200	1
36	42056.02	ROLLER 115 DIA - 1500	1

*MAIN PART IN GROUP, RELATED PARTS HAVE SAME REFERENCE NUMBER



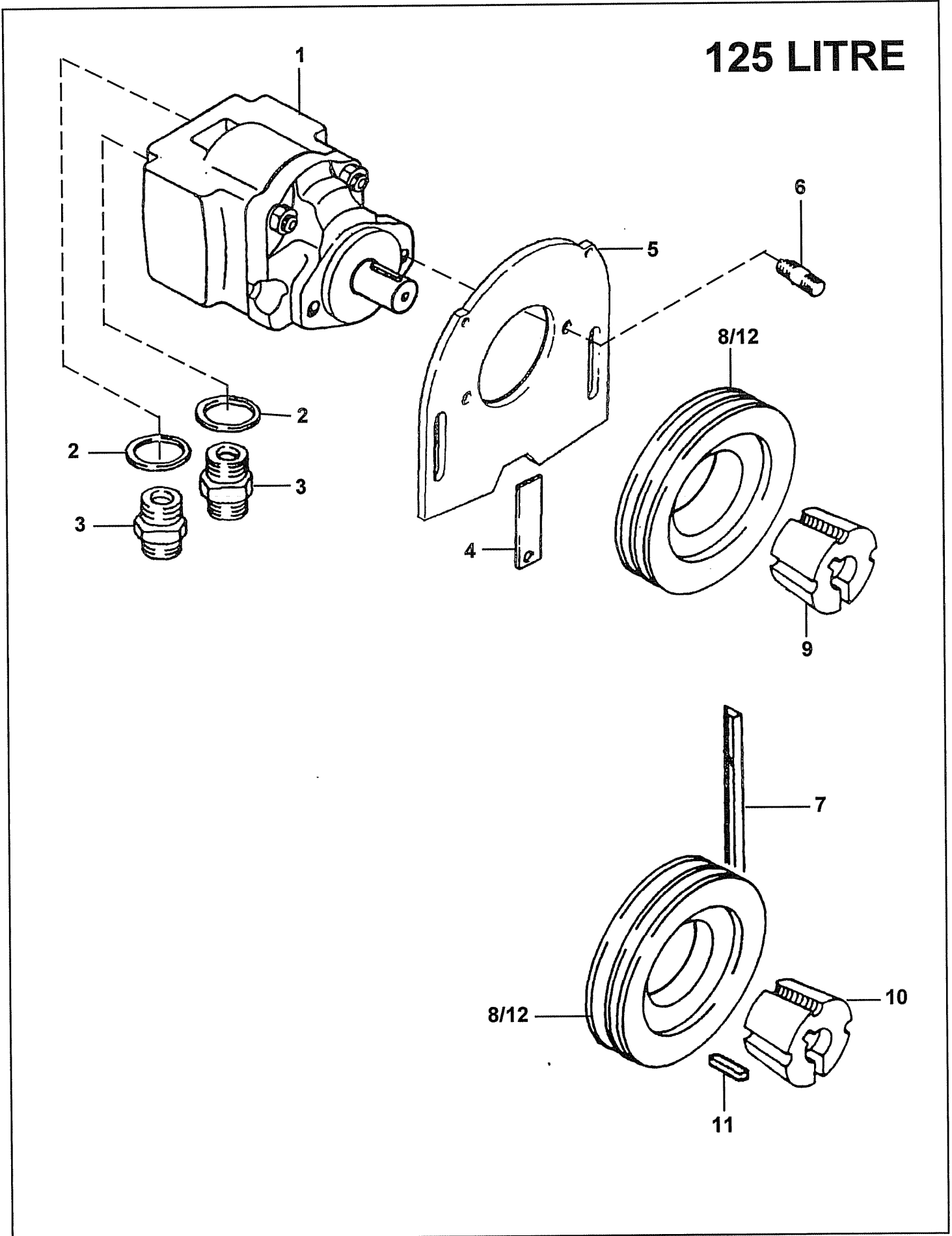
REF	PART NO.	DESCRIPTION	QTY
STANDARD 1200 AND 1500			
76.285.03 & 07 MOTOR 84L PULLEY & BELT			
01	01.071.13	KEY-SEP 1/4"X1/4"X1"	-
*01	09.773.05	MOTOR ASSEMBLY	1
01	09.773.02	SEAL KIT FOR 09.773 MOTOR	-
02	05.290.06	BONDED SEAL 3/4" BSP	2
03	05.373.01	ADAPTOR 3/4"BSP X 1"BSP	2
04	07.833.01	PLATE - COVER	1
05	05.281.03	FLAT WASHER 12MM PLATED	2
05	05.282.03	SPRING WASHER 12MM PLATED	2
05	05.286.03	NUT M12 PLATED	2
05	05.625.12	SOCKET DOMED SCREW M12 X 35 PLT	2
*05	41893.01	PLATE - MOTOR MOUNTING GEAR	1
*06	04.282.56	STUD M10 X 37MM	2
06	05.282.02	SPRING WASHER 10MM PLATED	2
06	05.286.02	NUT M10 PLATED	2
07	05.299.36	V-BELT XPA 1060 QUAD POWER	3
08	03.795.01	PULLEY-VEE 160MM PCD X 3SPA	1
09	05.424.01	TAPER-LOCK 7/8"BORE (2517)	1
10	05.424.18	TAPER LOCK 40MM (2517)	1
11	05.960.16	KEY-S/REP 12MM X 8MM X 40MM	1
12	03.795.03	PULLEY-VEE 140MM PCD X 3SPA	1

*MAIN PART IN GROUP, RELATED PARTS HAVE REFERENCE NUMBER



REF	PART NO.	DESCRIPTION	QTY
STANDARD 1200 AND 1500			
76.285.02 & 06 MOTOR 100L PULLEY & BELT			
01	01.071.13	KEY-SEP 1/4" X 1/4" X 1"	-
01	09.773.02	SEAL KIT FOR 09.773 MOTOR	-
*01	09.773.03	MOTOR ULTRA 2TR041	1
01	41905.01	DECAL - 100	1
02	05.290.06	BONDED SEAL 3/4"BSP	2
03	05.373.01	ADAPTOR 3/4"BSP X 1"BSP	2
04	07.833.01	PLATE - COVER	1
05	05.281.03	FLAT WASHER 12MM PLATED	2
05	05.282.03	SPRING WASHER 12MM PLATED	2
05	05.286.03	NUT M12 PLATED	2
05	05.625.12	SOCKET DOMED SCREW M12 X 35 PLT	2
*05	41893.01	PLATE - MOTOR MOUNTING GEAR	1
*06	04.282.56	STUD M10 X 37MM	2
06	05.282.02	SPRING WASHER 10MM PLATED	2
06	05.286.02	NUT M10 PLATED	2
07	05.299.36	V-BELT XPA 1060 QUAD POWER	3
08	03.795.01	PULLEY-VEE 160MM PCD X 3SPA	1
09	05.424.07	TAPER-LOCK 1"BORE (2517)	1
10	05.424.18	TAPER LOCK 40MM (2517)	1
11	05.960.16	KEY-S/REP 12MM X 8MM X 40MM	1
12	03.795.03	PULLEY-VEE 140MM PCD X 3SPA	1

*MAIN PART IN GROUP, RELATED PARTS HAVE REFERENCE NUMBER

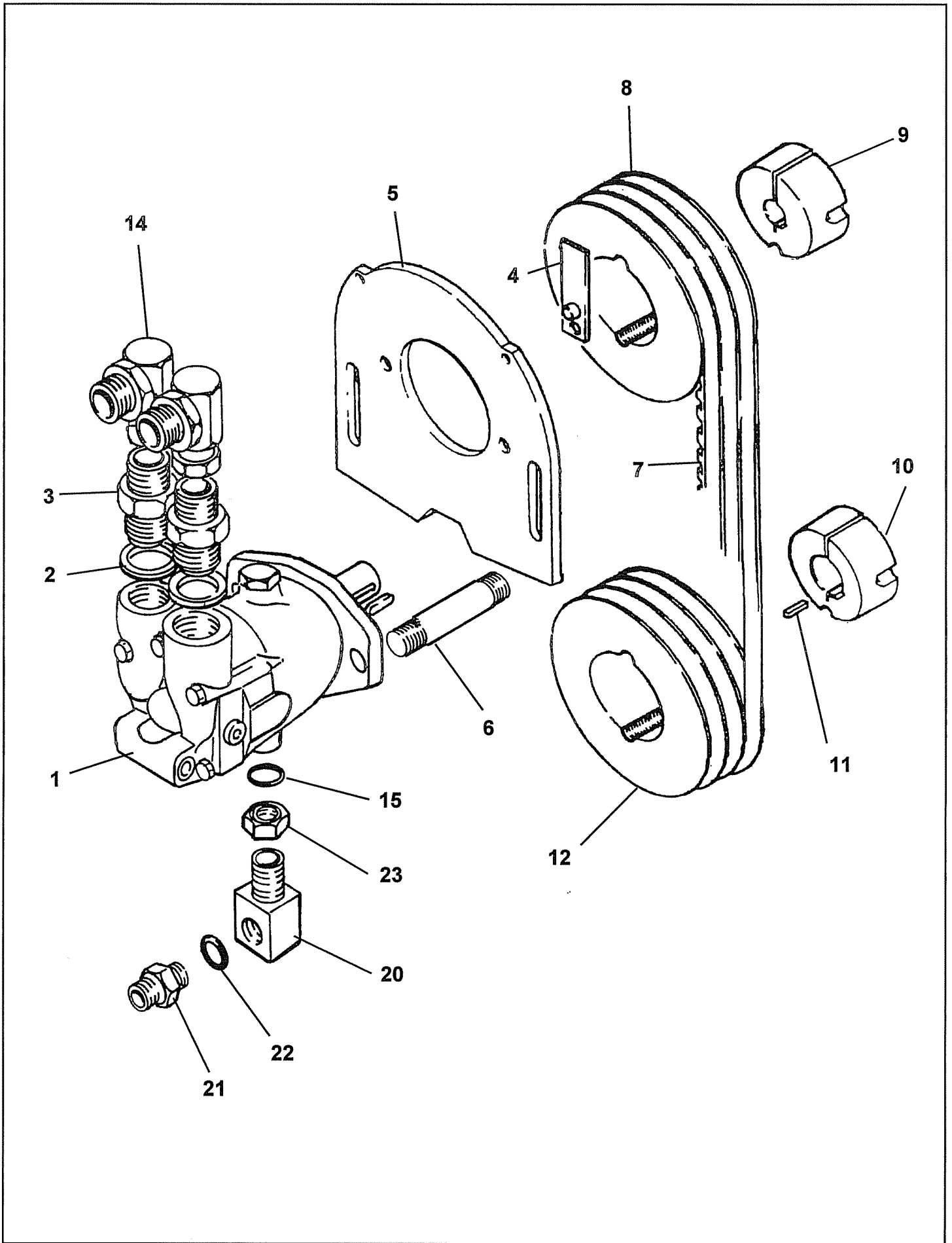


REF	PART NO.	DESCRIPTION	QTY
STANDARD PARTS 1200 AND 1500			
76.285.01/ 5/11/14 MOTOR 125L PULLEY & BELT			
01	01.071.13	KEY-SEP 1/4" X 1/4" X 1"	-
01	41903.01	SEAL KIT FOR 41903 MOTOR	-
01	09.773.02	SEAL KIT FOR 09773 MOTORS	-
*01	41903.02 ■	GEAR MOTOR 125L	1
01	09.773.04 ▲	MOTOR 2TR044	1
01	09.773.07 ●	MOTOR 2TR050 (1500 HEADS)	1
01	41905.02	DECAL - 125	1
02	05.290.06	BONDED SEAL 3/4"BSP	2
03	05.373.01	ADAPTOR 3/4"BSP X 1"BSP	2
04	07.833.01	PLATE - COVER	1
05	05.281.03	FLAT WASHER 12MM PLATED	2
05	05.282.03	SPRING WASHER 12MM PLATED	2
05	05.286.03	NUT M12 PLATED	2
05	05.625.12	SOCKET DOMED SCREW M12 X 35 PLT	2
*06	04.282.56	STUD M10 X 37MM	2
06	05.282.02	SPRING WASHER 10MM PLATED	2
06	05.286.02	NUT M10 PLATED	2
07	05.299.36	V-BELT XPA 1060 QUAD POWER	3
09	05.424.07	TAPER-LOCK 1"BORE (2517)	1
10	05.424.18	TAPER LOCK 40MM (2517)	1
11	05.960.16	KEY-S/REP 12MM X 8MM X 40MM	1
1200 HEADS			
*05	41893.01	PLATE-MOTOR MOUNTING	1
08	03.795.01	PULLEY 160MM PCD	1
12	03.795.03	PULLEY 140MM PCD	1
1500 HEADS			
*05	07.832.01	PLATE-MOTOR MOUNTING	1
05	41.893.01 ●	PLATE-MOTOR MOUNTING	1
08	03.795.03	PULLEY 140MM PCD	1
08	03.795.01 ●	PULLEY 160MM PCD	1
12	03.795.03	PULLEY 140MM PCD	1

NB: On 1500 Heads prior to serial no. 1635 KA/99 two 140mm PCD Pulleys are fitted

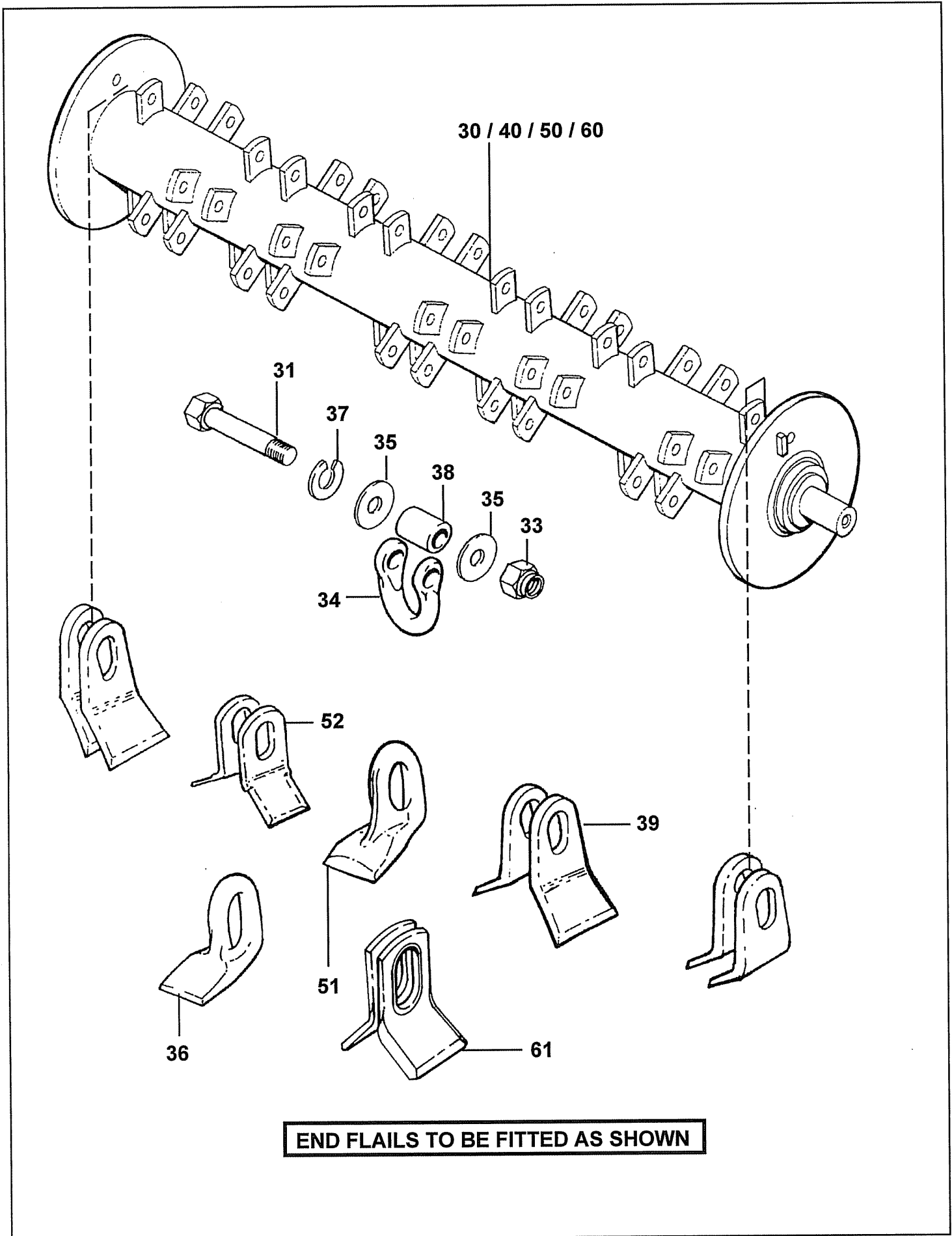
- For Heads prior to Serial No. 1175KA/99
- ▲ For Heads from Serial No. 1176KA/99
- For 1500 Heads from Serial No. 1636KA/99

*MAIN PART IN GROUP, RELATED PARTS HAVE SAME REFERENCE NUMBER



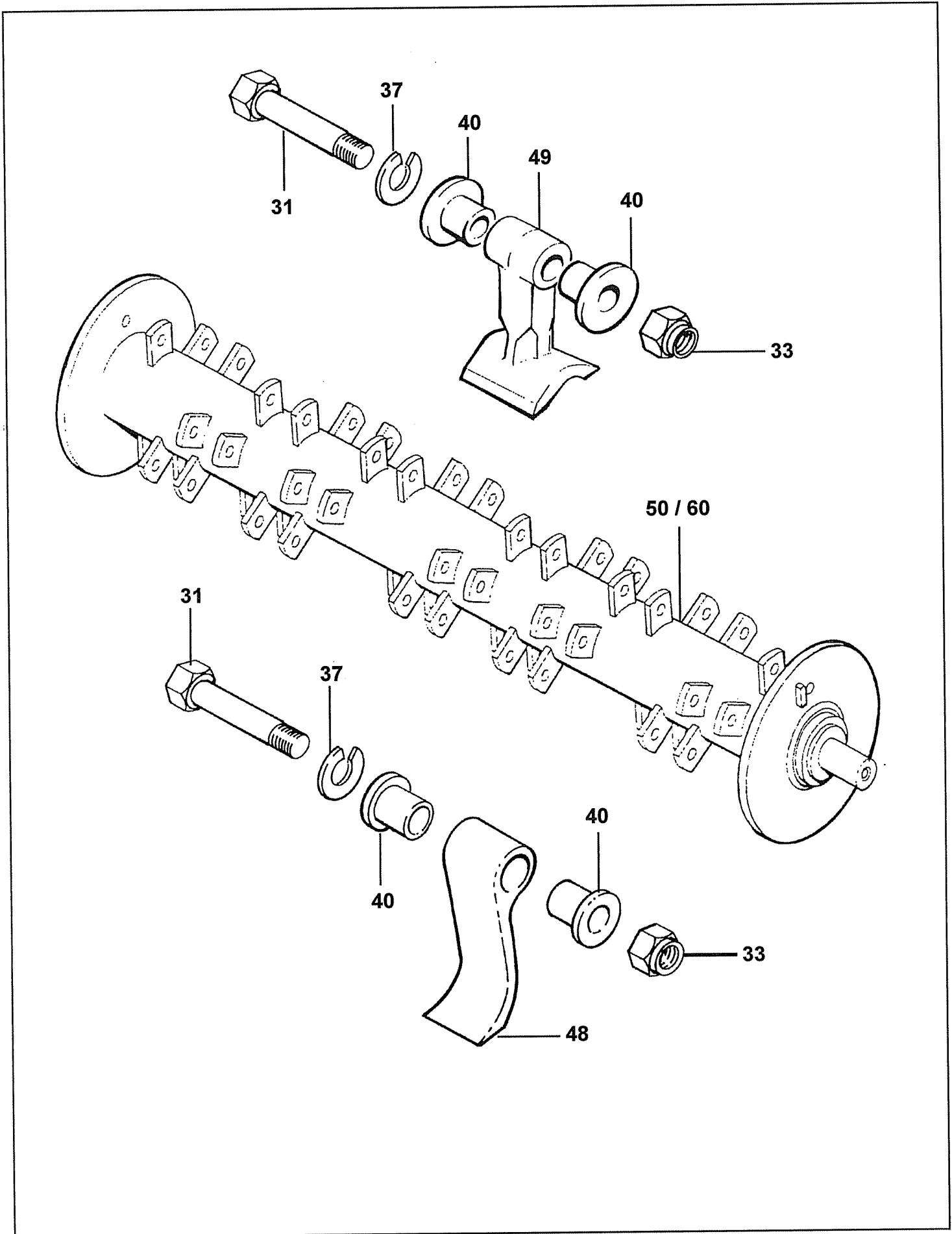
REF	PART NO.	DESCRIPTION	QTY
STANDARD 1200 AND 1500			
76.285.04 & 08 MOTOR PISTON PULLEY & BELT			
01	8301295	PISTON MOTOR-SIDE PORT	1
01	8699238	SEAL KIT FOR 8301295	-
02	8600916	O RING GASKET 1.5/16"UNF	2
03	08.955.25	ADAPTOR 1"BSP X 1.5/16"-12 JIC	2
04	42186.01	PLATE - COVER	1
05	05.281.03	FLAT WASHER 12MM PLATED	2
05	05.282.03	SPRING WASHER 12MM PLATED	2
05	05.286.03	NUT M12 PLATED	2
05	05.625.12	SOCKET DOMED SCREW M12 X 35 PLT	2
05	41894.01	PLATE - MOTOR MOUNTING PISTON	1
06	04.282.17	STUD M12 X 41MM	2
06	05.282.03	SPRING WASHER 12MM PLATED	2
06	05.286.03	NUT M12 PLATED	2
07	05.299.56	BELT XPA1140 QUAD POWER GATES	3
08	03.795.01	PULLEY-VEE 160MM PCD X 3SPA	1
09	05.424.02	TAPER-LOCK 1.1/8"BORE (2517)	1
10	05.424.18	TAPER LOCK 40MM (2517)	1
11	05.960.16	KEY-S/REP 12MM X 8MM X 40MM	1
12	03.795.03	PULLEY-VEE 140MM PCD X 3SPA	1
14	05.835.02	ADAPTOR-SWIVEL 90 1"BSP M/F	2
15	8600908	O RING GASKET 3/4"UNF	1
20	42739.01	ADAPTOR	1
21	03.195.01	NUT	1
22	05.290.04	BONDED WASHER	1
23	01.310.07	NUT-THIN	1

*MAIN PART IN GROUP, RELATED PARTS HAVE SAME REFERENCE NUMBER



REF	PART NO.	DESCRIPTION	QTY
76.287.03 ROTOR SHAFT 1200			
30	41901.13	ROTOR SHAFT ASSEMBLY	1
31	05.775.10	BOLT - SPECIAL M14 X 94MM	32
33	05.968.06	S.LOCKING NUT M14 (FINE) PLATE	32
34	05.895.01	SHACKLE-FORGED	32
35	05.281.01	FLAT WASHER 8MM PLATED	64
37	05.282.04	SPRING WASHER 16MM PLATED	32
38	02.807.01	SPACER 1"O/D X 16MM I/D X 27MM	32
39	41654.01	FLAIL - FLARED 51 X 8	64
76.287.01 & 04 ROTOR SHAFT 1200			
40	41901.01	ROTOR SHAFT ASSEMBLY CLOCKWISE	1
40	41901.12	ROTOR SHAFT ASSEMBLY ANTICLOCKWISE	1
31	05.775.10	BOLT - SPECIAL M14 X 94MM	32
33	05.968.06	S.LOCKING NUT M14 (FINE) PLATE	32
34	05.895.01	SHACKLE-FORGED	32
35	05.281.04	FLAT WASHER 16MM PLATED	64
36	02.959.01	FLAIL - FORGED	32
37	05.282.04	SPRING WASHER 16MM PLATED	2
38	02.807.01	SPACER 1"O/D X 16MM I/D X 27MM	32
76.287.47/50 ROTOR SHAFT ASSY 1200			
50	41901.07	ROTOR SHAFT ASSEMBLY CLOCKWISE	1
50	41901.08	ROTOR SHAFT ASSEMBLY ANTICLOCKWISE	1
31	05.775.10	BOLT - SPECIAL M14 X 94MM	32
33	05.968.06	S.LOCKING NUT M14 (FINE) PLATE	32
34	05.895.01	SHACKLE-FORGED	32
35	05.281.04	FLAT WASHER 16MM PLATED	64
37	05.282.04	SPRING WASHER 16MM PLATED	2
38	02.807.01	SPACER 1"O/D X 16MM I/D X 27MM	32
51	42750.01	FLAIL - FORGED MP44	32
76.287.59 ROTOR SHAFT ASSY			
60	41901.15	ROTOR SHAFT ASSY	1
31	05.775.10	BOLT-SPECIAL M14 X 94MM	32
33	05.968.06	S.LOCKING NUT M14 (FINE) PLATE	32
34	05.895.01	SHACKLE FORGED	32
35	05.281.01	FLAT WASHER 8MM PLATED*	64
37	05.282.04	SPRING WASHER 16MM PLATED*	32
38	02.807.01	SPACER 1" O.D X 16MM X 27MM	32
61	43092.01	FLAIL 36 X 8	32
52	Alternative Part 7190166	FLAIL-FORMED	32

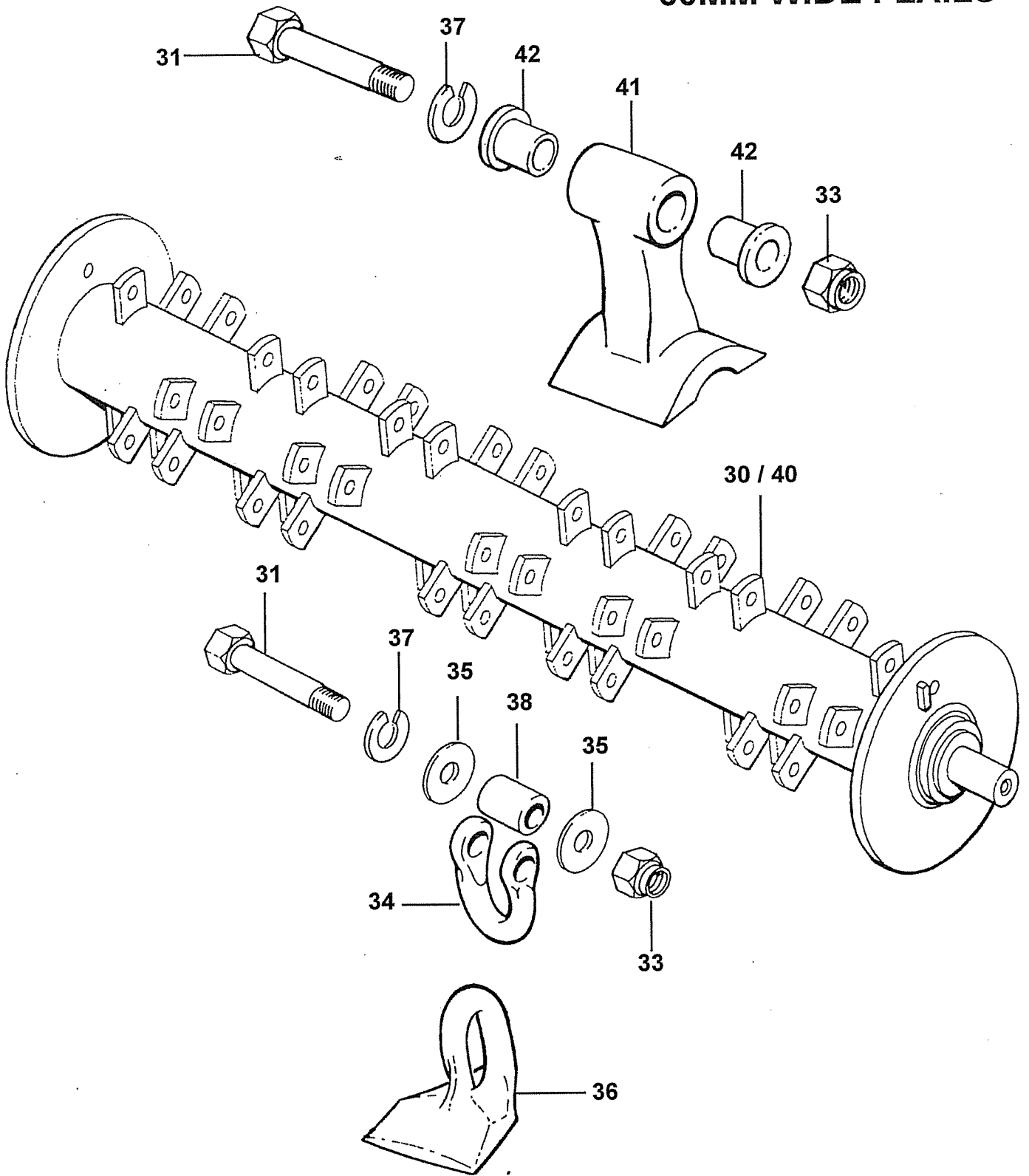
*MAIN PART IN GROUP, RELATED PARTS HAVE SAME REFERENCE NUMBER



REF	PART NO.	DESCRIPTION	QTY
76.287.26 & 27 ROTOR SHAFT 1200			
50	41901.04	ROTOR SHAFT ASSEMBLY CLOCKWISE	1
50	41901.05	ROTOR SHAFT ASSEMBLY ANTICLOCKWISE	1
31	05.775.10	BOLT - SPECIAL M14 X 94MM	32
33	05.968.06	S.LOCKING NUT M14 (FINE) PLATE	32
37	05.282.04	SPRING WASHER 16MM PLATED	32
40	09.894.01	COLLAR-PIVOT	64
48	42155.01	FLAIL-SINGLE EDGE (PRO-FLAIL)	32
76.287.36 ROTOR SHAFT 1200			
60	41901.09	ROTOR SHAFT ASSEMBLY	1
31	05.775.10	BOLT - SPECIAL M14 X 94MM	32
33	05.968.06	S.LOCKING NUT M14 (FINE) PLATE	32
37	05.282.04	SPRING WASHER 16MM PLATED	32
40	09.894.01	COLLAR - PIVOT	64
49	42716.01	FLAIL - FORGED 44MM	32

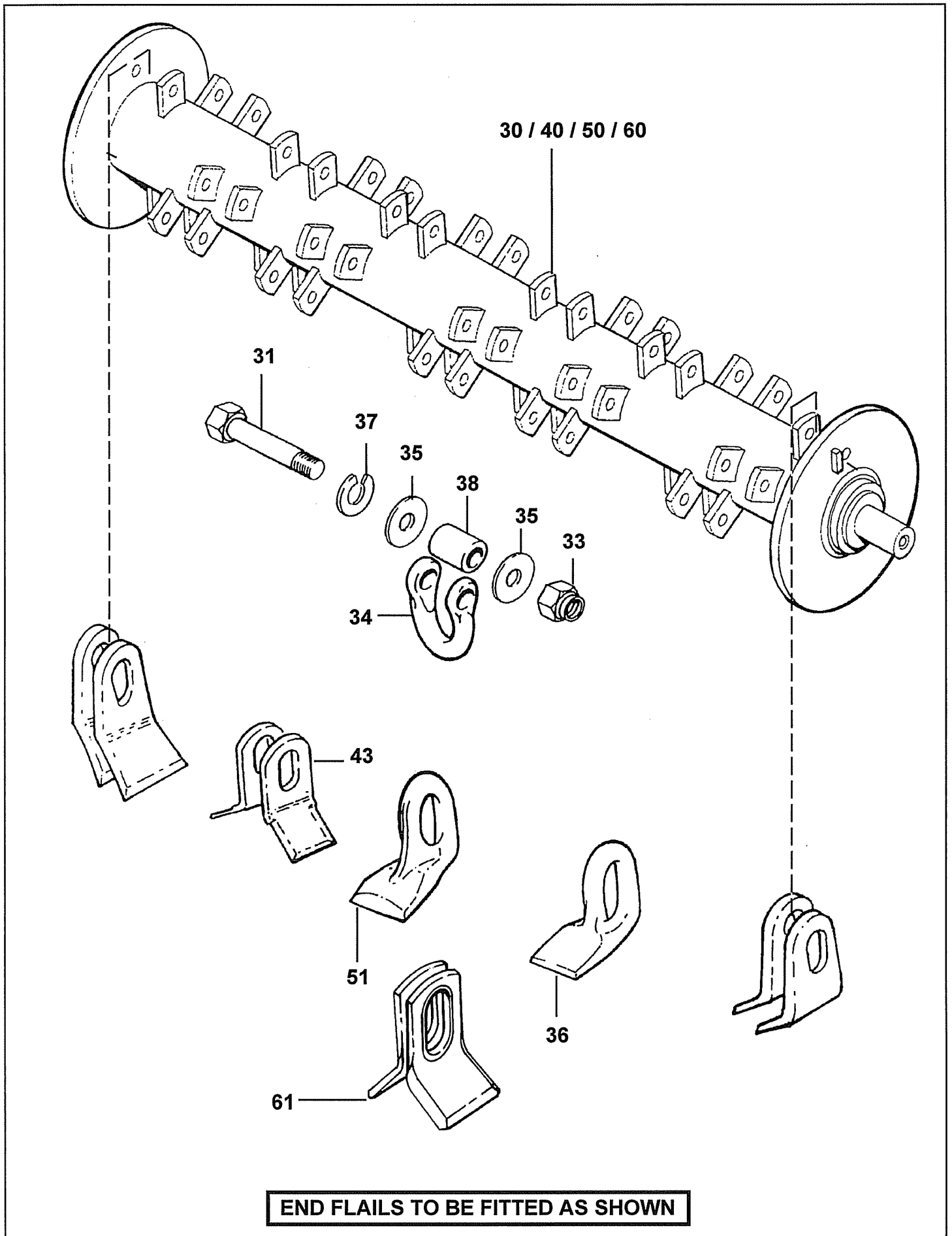
*MAIN PART IN GROUP, RELATED PARTS HAVE SAME REFERENCE NUMBER

60MM WIDE FLAILS



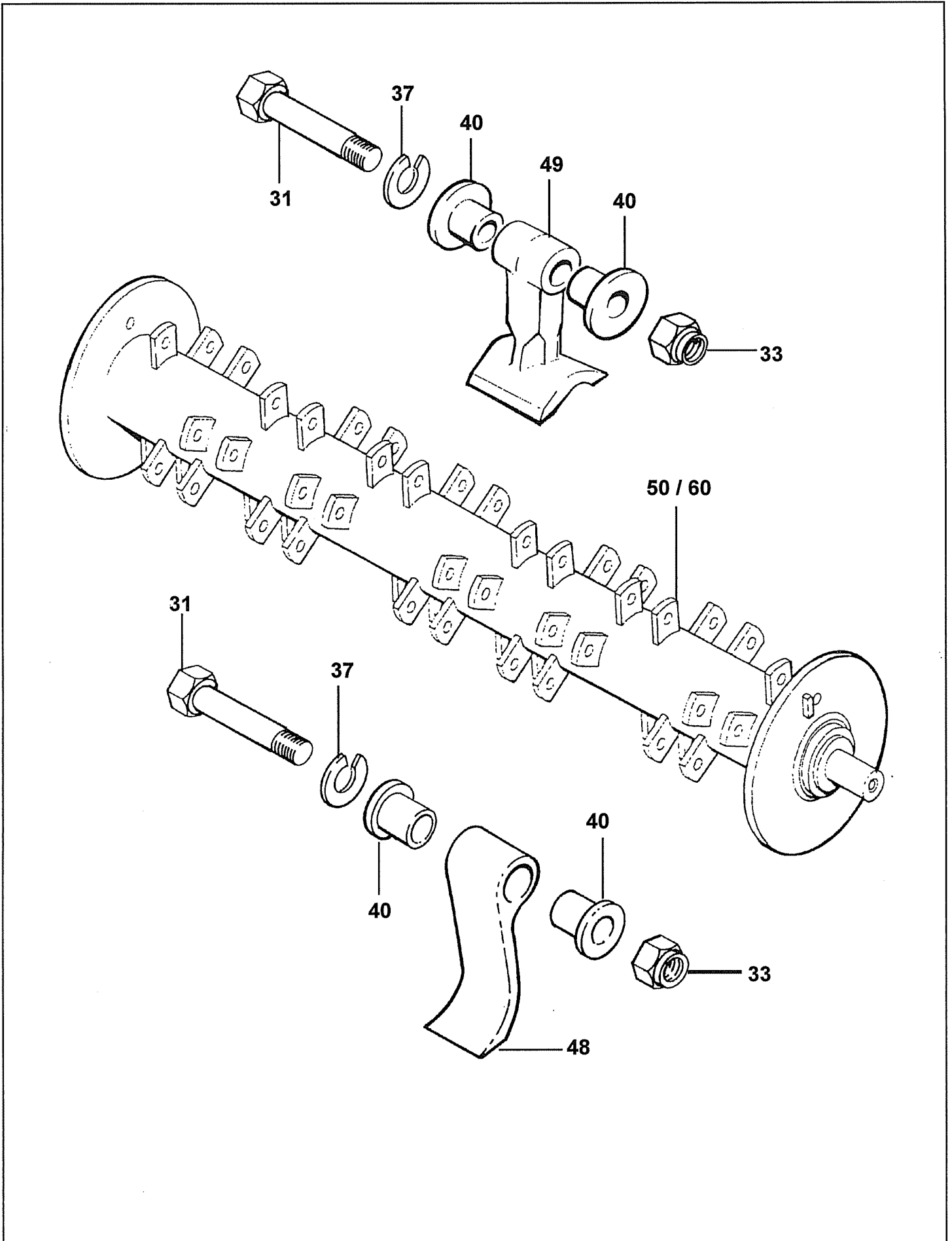
REF	PART NO.	DESCRIPTION	QTY
76.287.05 ROTOR SHAFT 1200 TUB ASSY			
30	42034.06	ROTOR SHAFT ASSEMBLY	1
31	05.775.10	BOLT - SPECIAL M14 X 94MM	24
33	05.968.06	S.LOCKING NUT M14 (FINE) PLATE	24
37	05.282.04	SPRING WASHER M16	24
40	09.894.01	COLLAR - PIVOT	48
41	09.905.01	FLAIL - FORGED 62MM	24
43	02.807.01	SPACER	24
76.287.06 & 07 ROTOR SHAFT 1200 TUB ASSY			
*40	42034.07	ROTOR SHAFT ASSEMBLY CLOCKWISE	1
40	42034.08	ROTOR SHAFT ASSEMBLY ANTICLOCKWISE	1
31	05.775.10	BOLT - SPECIAL M14 X 94MM	24
33	05.968.06	S.LOCKING NUT M14 (FINE) PLATE	24
34	05.895.01	SHACKLE-FORGED	24
35	05.281.04	FLAT WASHER 16MM PLATED	48
36	09.902.01	FLAIL - FORGED 58MM	24
37	05.282.04	SPRING WASHER M16	24

*MAIN PART IN GROUP, RELATED PARTS HAVE SAME REFERENCE NUMBER



REF	PART NO.	DESCRIPTION	QTY
76.287.57 ROTOR SHAFT 1500			
30	41957.26	ROTOR SHAFT ASSEMBLY	1
31	05.775.10	BOLT - SPECIAL M14 X 94MM	40
33	05.968.06	S.LOCKING NUT M14 (FINE) PLATE	40
34	05.895.01	SHACKLE-FORGED	40
35	05.281.04	FLAT WASHER 16MM PLATED	80
37	05.282.04	SPRING WASHER 16MM PLATED	40
38	02.807.01	SPACER 1"O/D X 16MM I/D X 27MM	40
43	7190166	FLAIL - FLARED 40 X 6	80
76.287.02 & 08 ROTOR SHAFT 1500			
40	41957.18	ROTOR SHAFT ASSEMBLY CLOCKWISE	1
40	41957.19	ROTOR SHAFT ASSEMBLY ANTICLOCKWISE	1
31	05.775.10	BOLT - SPECIAL M14 X 94MM	40
33	05.968.06	S.LOCKING NUT M14 (FINE) PLATE	40
34	05.895.01	SHACKLE-FORGED	40
35	05.281.04	FLAT WASHER 16MM PLATED	80
36	02.959.01	FLAIL - FORGED	40
37	05.282.04	SPRING WASHER 16MM PLATED	40
38	02.807.01	SPACER 1"O/D X 16MM I/D X 27MM	40
76.287.48/49 ROTOR SHAFT 1500			
50	41957.24	ROTOR SHAFT ASSEMBLY CLOCKWISE	1
50	41957.25	ROTOR SHAFT ASSEMBLY ANTICLOCKWISE	1
31	05.775.10	BOLT - SPECIAL M14 X 94MM	40
33	05.968.06	S.LOCKING NUT M14 (FINE) PLATE	40
34	05.895.01	SHACKLE-FORGED	40
35	05.281.04	FLAT WASHER 16MM PLATED	80
37	05.282.04	SPRING WASHER 16MM PLATED	40
38	02.807.01	SPACER 1"O/D X 16MM I/D X 27MM	40
51	42750.01	FLAIL - FORGED MP44	40
76.287.61 ROTOR SHAFT ASSY			
60	41957.27	ROTOR SHAFT ASSY	1
31	05.775.10	BOLT - SPECIAL M14 X 94MM	40
33	05.968.06	S.LOCKING NUT M14 (FINE) PLATE	40
34	05.895.01	SHACKLE-FORGED	40
35	05.281.04	FLAT WASHER 16MM PLATED*	80
37	05.282.04	SPRING WASHER 16MM PLATED*	40
38	02.807.01	SPACER 1" O/D X 16MM I/D X 27MM	40
61	43092.01	FLAIL 36 X 8	80

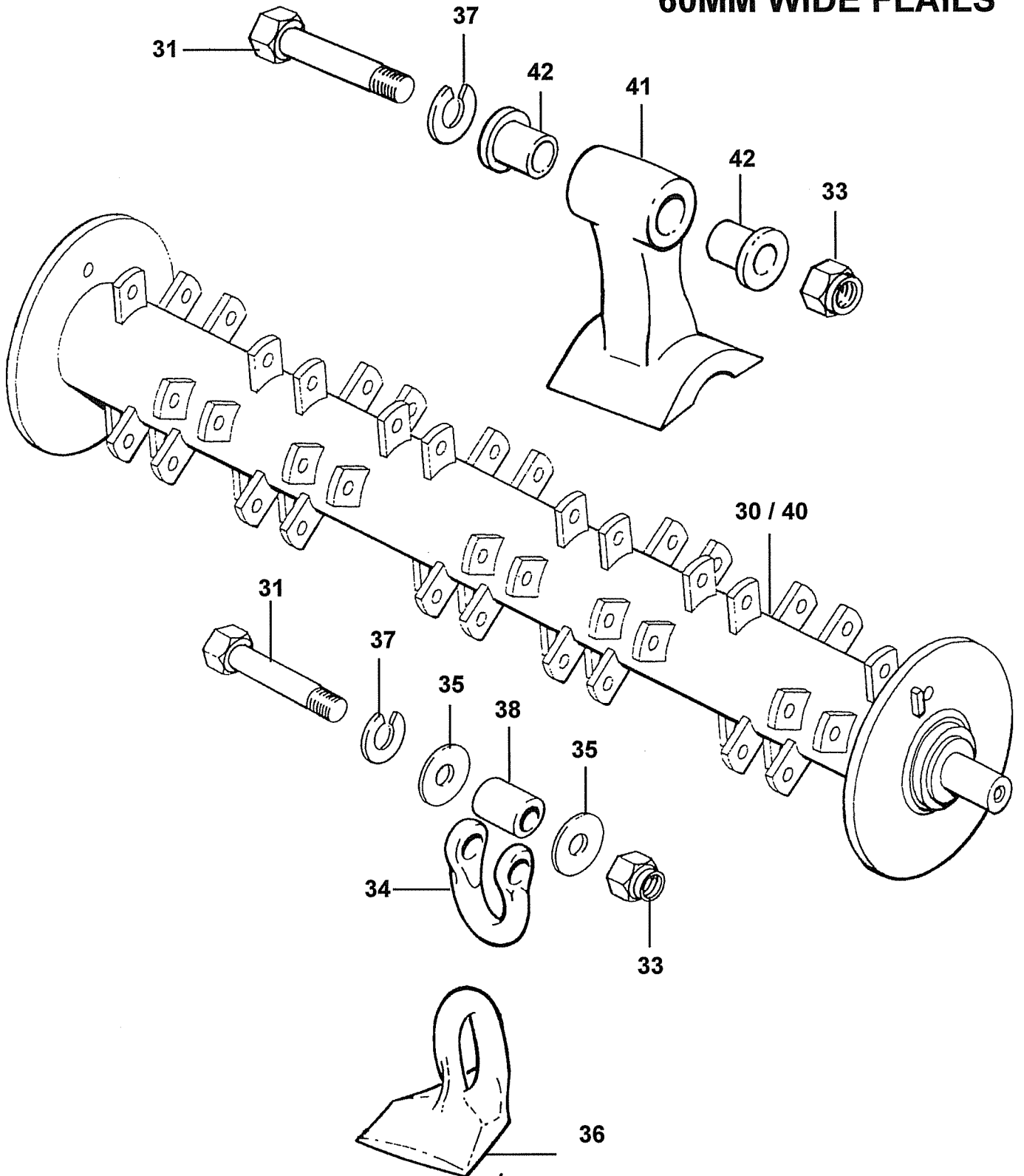
*MAIN PART IN GROUP, RELATED PARTS HAVE SAME REFERENCE NUMBER



REF	PART NO.	DESCRIPTION	QTY
76.287.28 & 29 ROTOR SHAFT 1500			
50	41957.21	ROTOR SHAFT ASSEMBLY CLOCKWISE	1
50	41957.22	ROTOR SHAFT ASSEMBLY ANTICLOCKWISE	1
31	05.775.10	BOLT - SPECIAL M14 X 94MM	40
33	05.968.06	S.LOCKING NUT M14 (FINE) PLATE	40
37	05.282.04	SPRING WASHER 16MM PLATED	40
40	09.894.01	COLLAR-PIVOT	80
48	42155.01	FLAIL-SINGLE EDGE (PRO-FLAIL)	40
76.287.37 ROTOR SHAFT 1500			
60	41957.23	ROTOR SH.ASSY 4194401/4271601	1
31	05.775.10	BOLT - SPECIAL M14 X 94MM	40
33	05.968.06	S.LOCKING NUT M14 (FINE) PLATE	40
37	05.282.04	SPRING WASHER 16MM PLATED	40
40	09.894.01	COLLAR - PIVOT	80
49	42716.01	FLAIL - FORGED 44MM	40

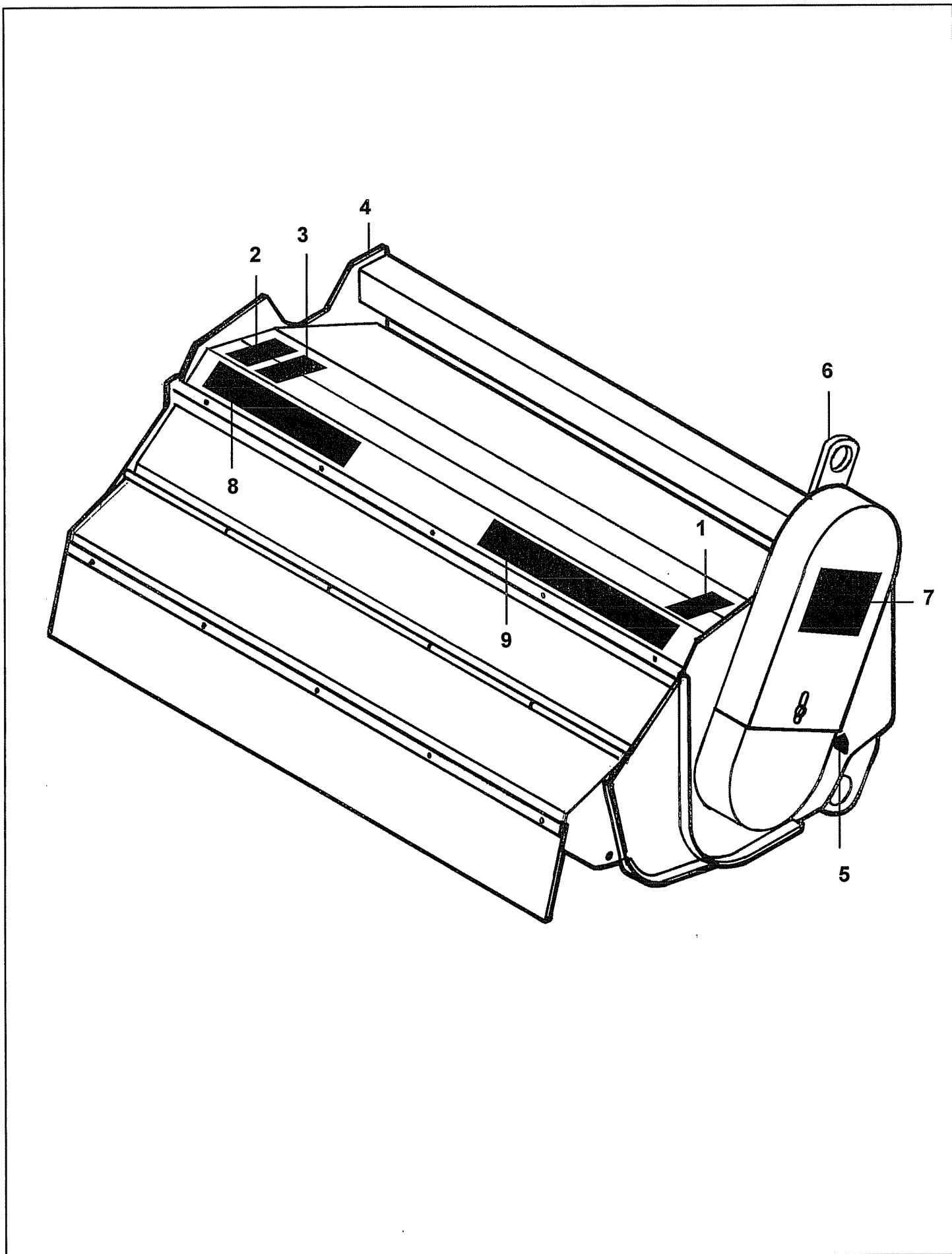
*MAIN PART IN GROUP, RELATED PARTS HAVE SAME REFERENCE NUMBER

60MM WIDE FLAILS



REF	PART NO.	DESCRIPTION	QTY
76.287.10, 76.287.11 ROTOR SHAFT 1500 TUB ASSY			
*30	41957.15	ROTOR SHAFT ASSEMBLY CLOCKWISE	1
30	41957.16	ROTOR SHAFT ASSEMBLY ANTICLOCKWISE	1
31	05.775.10	BOLT - SPECIAL M14 X 94MM	30
33	05.968.06	S.LOCKING NUT M14 (FINE) PLATE	30
34	05.895.01	SHACKLE-FORGED	30
35	05.281.04	FLAT WASHER 16MM PLATED	60
36	09.902.01	FLAIL - FORGED 58MM	30
37	05.282.04	SPRING WASHER	30
38	02.807.01	SPACER	30
76.287.12 ROTOR SHAFT 1500 TUB ASSY			
40	41957.17	ROTOR SHAFT ASSEMBLY	1
31	05.775.10	BOLT - SPECIAL M14 X 94MM	30
33	05.968.06	S.LOCKING NUT M14 (FINE) PLATE	30
37	05.282.04	SPRING WASHER	30
40	09.894.01	COLLAR - PIVOT	60
41	09.905.01	FLAIL - FORGED 62MM	30

*MAIN PART IN GROUP, RELATED PARTS HAVE SAME REFERENCE NUMBER



REF	PART NO.	DESCRIPTION	QTY
72.855.03 DECALS - HEAD			
01	09.821.04	DECAL - DANGER THROWN DEBRIS	1
02	09.821.05	DECAL - CUTTING HEAD DANGER	1
03	09.821.08	DECAL - SAFEWORKING ON HEAD	1
04	09.821.10	DECAL - KEEP NUTS TIGHT	1
05	09.810.02	DECAL-GREASE (40 HOURS)	4
06	09.843.02	DECAL - LIFT POINT 350 KG	2
07	41.054.01	DECAL - HEAD GUARDING	1
08	09.837.01	DECAL - BOMFORD	1
09	41582.03	DECAL - TRIM-KING	1