

PM1740

TRIM MASTER

CUTTING HEADS

PARTS MANUAL

ISSUE 6

IMPORTANT

NOTE HERE THE SERIAL NUMBER OF YOUR MACHINE AND ALWAYS QUOTE IT IN ANY COMMUNICATION WITH US OR YOUR DEALER. THIS IS PARTICULARLY IMPORTANT WHEN ORDERING SPARES. REMEMBER TO INCLUDE ALL NUMBERS AND LETTERS.

MACHINE SERIAL NUMBERS _____

THE INFORMATION GIVEN THROUGHOUT THIS MANUAL IS CORRECT AT THE TIME OF PUBLICATION. HOWEVER, IN THE COURSE OF CONSTANT DEVELOPMENT OF BOMFORD TURNER MACHINES, CHANGES IN SPECIFICATION ARE INEVITABLE. SHOULD YOU FIND THE INFORMATION GIVEN IN THIS BOOK TO BE AT VARIANCE WITH THE MACHINE IN YOUR POSSESSION, YOU ARE ADVISED TO CONTACT THE BOMFORD TURNER SERVICE DEPARTMENT WHERE UP-TO-DATE INFORMATION WILL BE PROVIDED.

THE MANUAL CAN CONTAIN STANDARD AND OPTIONAL FEATURES AND IS NOT TO BE USED AS A MACHINE SPECIFICATION.

THE MACHINE HAS BEEN TESTED AND IS CONSIDERED SAFE IF CAREFULLY USED. ENSURE YOUR OPERATOR IS PROPERLY TRAINED IN ITS USE AND MAINTENANCE.

IMPORTANT

NOTEZ ICI LES NUMEROS DE SERIE DE VOTRE MACHINE ET MENTIONNEZ LES DANS TOUTE COMMUNICATION AVEC NOS SERVICES OU VOTRE REVENDEUR. CECI EST IMPORTANT POUR LA COMMANDE DE PIECES DETACHEES. PENSEZ A NOTER TOUS LES NUMEROS ET TOUTES LES LETTERS.

NUMEROS DE SERIE DE LA MACHINE _____

LES INFORMATIONS DONNEES DANS CE MANUEL SONT CORRECTES CEPENDANT, DU FAIT DE DEVELOPPEMENT CONSTANT DES MACHINES BOMFORD TURNER.

CHANGEMENTS DANS LES CARACTERISTIQUES SONT INEVITABLES.

SI VOUS TROUVEZ QUE LES INFORMATIONS DONNEES NE CORRESPONDENT PAS A VOTRE MACHINE VEUILLEZ CONTACTER LE SERVICE DES REPARATIONS OU DES INFORMATIONS PLUS RECENTES VOUS SERONT DONNEES. CE MANUEL PEUT MONTRER DES CARACTERISTIQUES OPTIONNELLES ET NE PEUT PAS ETRE CONSIDERE COMME SPECIFICATION DE LA MACHINE.

CETTE MACHINE A ETE TESTEE, ET ELLE EST CONSIDEREE COMME FIABLE A CONDITION D'UNE BONNE UTILISATION. ASSUREZ-VOUS QUE VOTRE OPERATEUR EST QUALIFIE EN CE QUI CONCERNE L'UTILISATION DE LA MACHINE AINSI QUE SON ENTRETIEN.

WICHTIG

TRAGEN SIE HIER DIE SERIENNUMMERN IHRER MASCHINE EIN UND GEBEN SIE DIESE IMMER AN, WENN SIE SICH AN UNS ODER IHREN HÄNDLER WENDEN. DAS IST BESONDERS BEI ERSATZTEILBESTELLUNGEN WICHTIG. VERGESSEN SIE NICHT, ALLE ZAHLEN UND BUCHSTABEN ZU NOTIEREN.

SERIENNUMMERN DER MASCHINE _____

DIE ANGABEN IN DIESEM HANDBUCH SIND BEI VERÖFFENTLICHUNG KORREKT. AUFGRUND DER KONSTANTEN WEITERENTWICKLUNG VON BOMFORD TURNER MASCHINEN SIND JEDOCH ÄNDERUNGEN IN DER SPEZIFIKATION UNVERMEIDLICH. WENN DIE INFORMATION IN DIESEM HANDBUCH NICHT MIT IHRER MASCHINE ÜBEREINSTIMMEN, NEHMEN SIE BITTE KONTAKT MIT DER BOMFORD TURNER KUNDENDIENSTABTEILUNG AUF, DIE IHNEN GERNE DIE AKTUELLEN INFORMATION ZUKOMMEN LÄSST.

DAS HANDBUCH KANN SOWOHL BESCHREIBUNGEN FÜR DIE STANDARD AUSFÜHRUNG ALS AUCH FÜR ZUBEHÖR ENTHALTEN UND IST NICHT ALS MASCHINENSPEZIFIKATION ZU VERWENDET.

DIE MASCHINE IST GETESTET UND BEI SACHGEMÄSSEM BETRIEB ALS SICHER BEFUNDEN WORDEN. SORGEN SIE DAFÜR, DASS IHR BEDIENPERSONAL IN ANWENDUNG UND WARTUNG RICHTIG GESCHULT WIRD.

TRIM MASTER HEADS

PAGE AND ILLUSTRATION NUMBERS SHOWN ARE USED ONLY FOR REFERENCE PURPOSES AND SHOULD NOT BE USED FOR ORDERING SPARE PARTS.

PLEASE ENSURE THE CORRECT PART NUMBER AND DESCRIPTION IS GIVEN WHEN ORDERING SPARE PARTS.

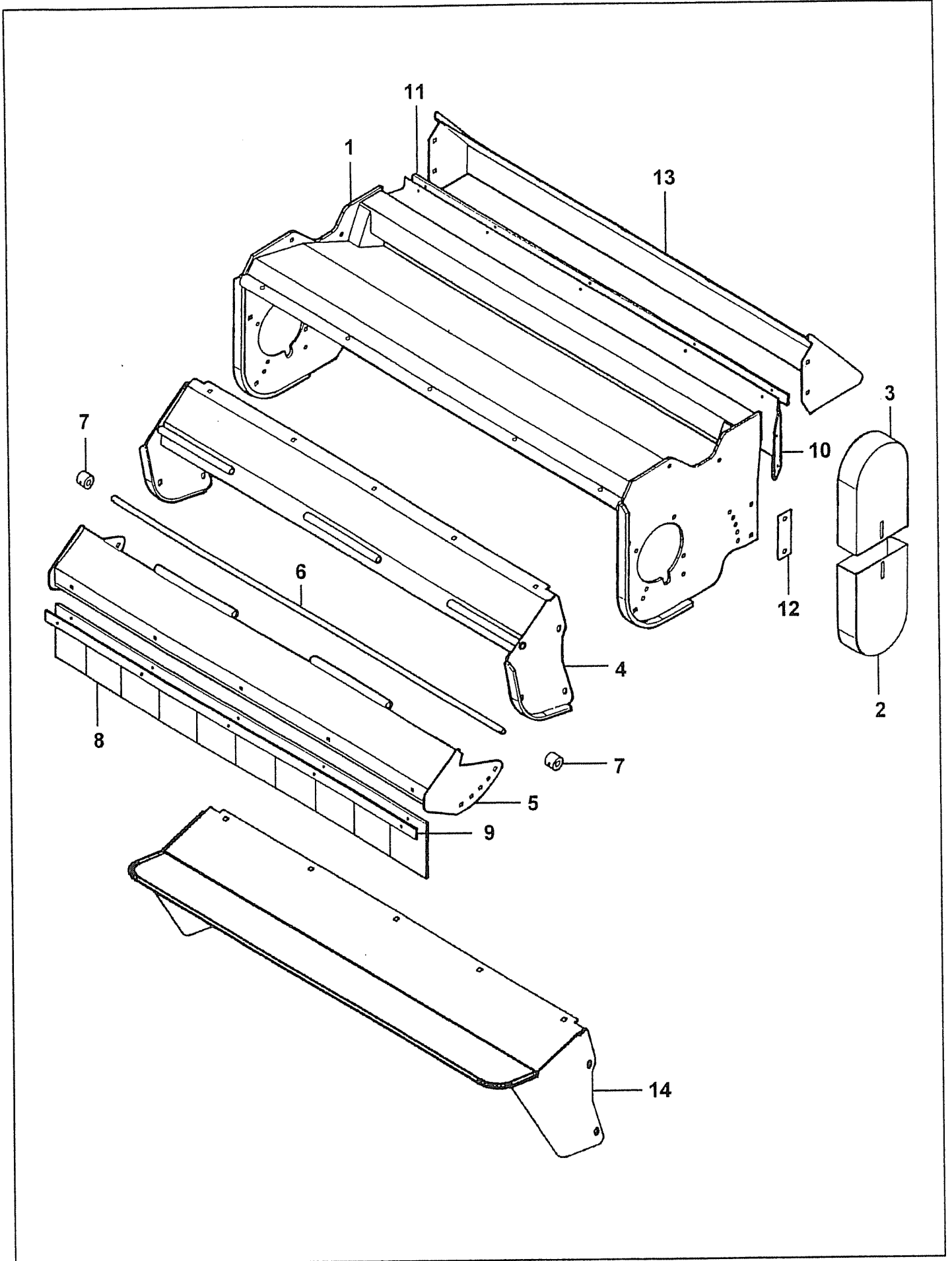
Page No.	Section
2 - 1 TO 2 - 4	COWL ASSEMBLY 1200 BEARING ASSEMBLY & COWL WEAR BRACKET KIT
3 - 1 TO 3 - 2	ROLLER ASSEMBLIES
4 - 1 TO 4 - 2	MOTOR ASSEMBLY
5 - 1 TO 5 - 2	ROTOR SHAFT ASSEMBLIES
6 - 1 TO 6 - 2	ROTOR SHAFT ASSEMBLIES
7 - 1 TO 7 - 2	ROTOR SHAFT ASSEMBLY - BUSHMASTER
8 - 1 TO 8 - 2	DECALS

IMPORTANT

**THIS MACHINE IS FOR VEGETATION CONTROL AND
MUST NOT BE USED FOR ANY OTHER PURPOSE**

**IT IS POTENTIALLY HAZARDOUS TO FIT OR USE
ANY PARTS OTHER THAN GENUINE BOMFORD TURNER PARTS**

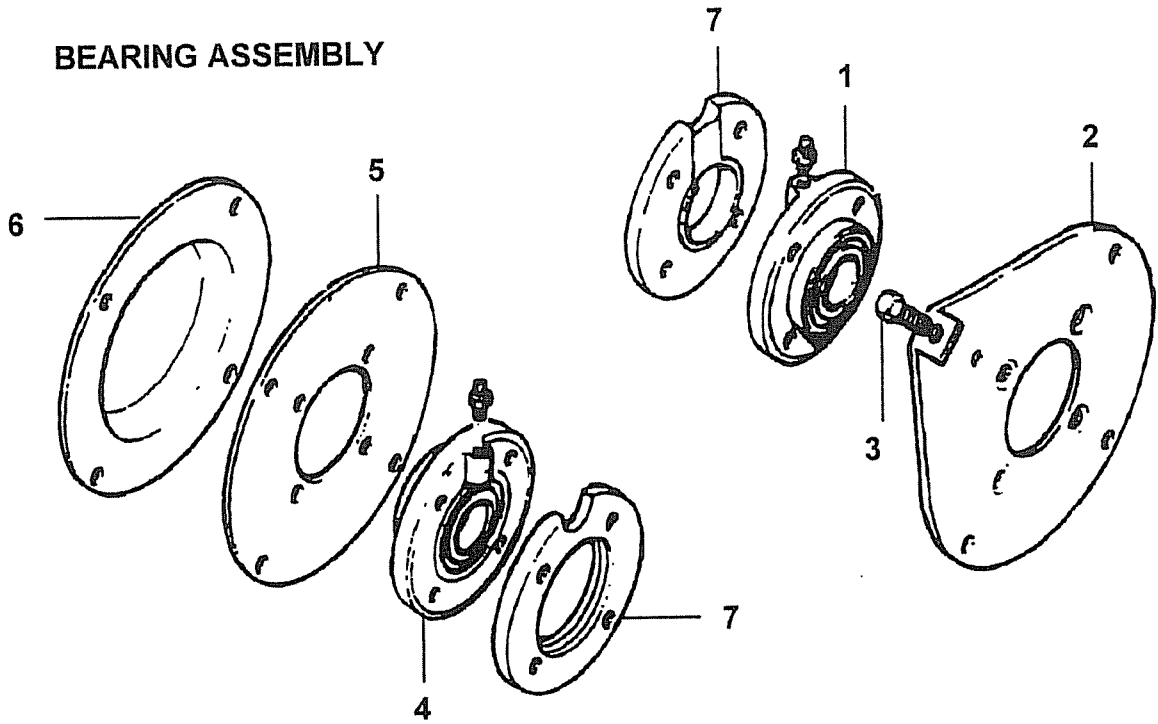
**THE COMPANY DISCLAIMS ALL LIABILITY FOR THE
CONSEQUENCES OF SUCH USE, WHICH IN ADDITION
VOIDS THE MACHINE WARRANTY**



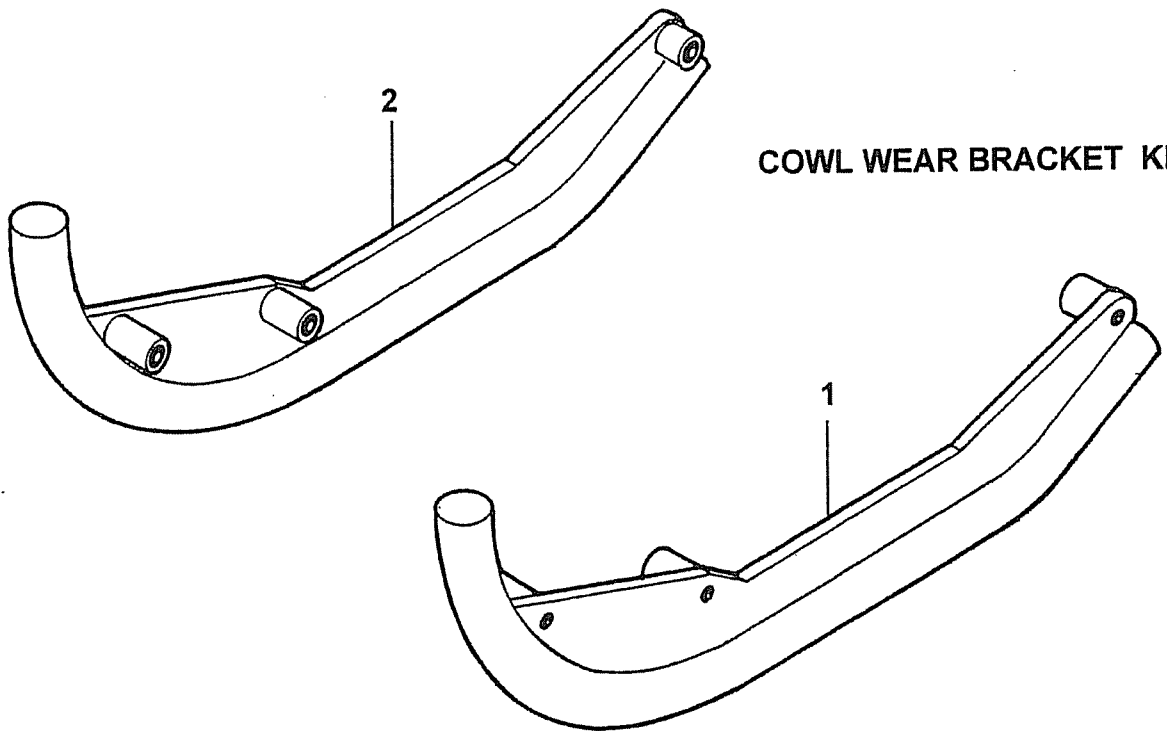
REF	PART NO	DESCRIPTION	QTY
76.286.13/14, 76.476.01 COWL ASSY - 1200			
01	05.227.01	HAMMER DRIVE SCREW NO.6 X 3/8"	2
01	05.282.03	SPRING WASHER 12MM PLATED	6
01	05.286.03	NUT M12 PLATED	6
01	05.774.06	SERIAL NO.Plate BOMFORD TURNER	1
01	05.839.26	BOLT CUP SQ M12 X 30 (PLATED)	6
*01	42098.01	COWL - 1200	1
02	05.264.21	SETSCREW M12 X 20MM PLATED	1
02	05.281.03	FLAT WASHER 12MM PLATED	1
02	05.282.03	SPRING WASHER 12MM PLATED	2
02	05.286.03	NUT M12 PLATED	1
*02	06.205.01	GUARD-BOTTOM DRIVE	1
03	05.264.21	SETSCREW M12 X 20MM PLATED	2
03	05.282.03	SPRING WASHER 12MM PLATED	2
*03	06.222.01	GUARD-TOP DRIVE	1
04	05.281.03	FLAT WASHER 12MM PLATED	4
04	05.282.03	SPRING WASHER 12MM PLATED	6
04	05.286.03	NUT M12 PLATED	6
04	05.287.02	SELF-LOCKING NUT M10 PLATED	5
04	05.839.27	BOLT CUP SQ M12 X 25 (PLATED)	6
04	05.839.33	BOLT CUP SQ. M10 X 45 (PLATED)	5
*04	42298.01	GUARD - FRONT FIXED 1200	1
05	42301.01	GUARD - FRONT ADJUSTMENT 1200	1
06	05.201.17	TENSION PIN 3MM X 25MM PLATED	2
*06	41435.01	PIN PIVOT FRT GUARD	1
07	41436.01	SPACER-PIVOT FRONT GUARD	2
08	42297.01	GUARD - FLEXIBLE FRONT 1200	1
09	05.287.01	SELF-LOCKING NUT M8 PLATED	5
*09	09.594.01	BACKING STRIP 1200	1
09	9293054	BOLT CUP SQUARE M8 X 25 (PLATE)	5
10	41884.01	GUARD - FLEXIBLE REAR 1200	1
11	05.287.01	SELF-LOCKING NUT M8 PLATED	5
*11	09.594.01	BACKING STRIP 1200	1
11	9293054	BOLT CUP SQUARE M8 X 25 (PLATE)	5
12	05.282.03	SPRING WASHER 12MM PLATED	4
12	05.286.03	NUT M12 PLATED	4
12	05.839.26	BOLT CUP SQ M12 X 30 (PLATED)	4
*12	41883.01	CLAMP - GUARD	2
13	05.281.01	FLAT WASHER 8MM PLATED	5
13	05.282.01	SPRING WASHER 8MM PLATED	5
13	05.282.03	SPRING WASHER 12MM PLATED	4
13	05.287.01	SELF-LOCKING NUT M8 PLATED	5
13	05.286.03	NUT M12 PLATED	4
13	05.839.26	BOLT CUP SQ M12 X 30 (PLATED)	4
*13	41906.01	GUARD - REAR 1200	1
13	9293054	BOLT CUP SQUARE M8 X 25 (PLATE)	5
14	05.281.03	FLAT WASHER 12MM PLATED	4
14	05.282.03	SPRING WASHER 12MM PLATED	4
14	05.286.03	NUT M12 PLATED	4
14	05.287.02	SELF-LOCKING NUT M10 PLATED	5
14	05.839.24	BOLT CUP SQ M10 X 50 (PLATED)	5
14	05.839.26	BOLT CUP SQ M12 X 30 (PLATED)	4
*14	42619.01	FRONT GUARD - 1200TM HEDGE	1

*MAIN PART IN GROUP, RELATED PARTS HAVE SAME REFERENCE NUMBER

BEARING ASSEMBLY



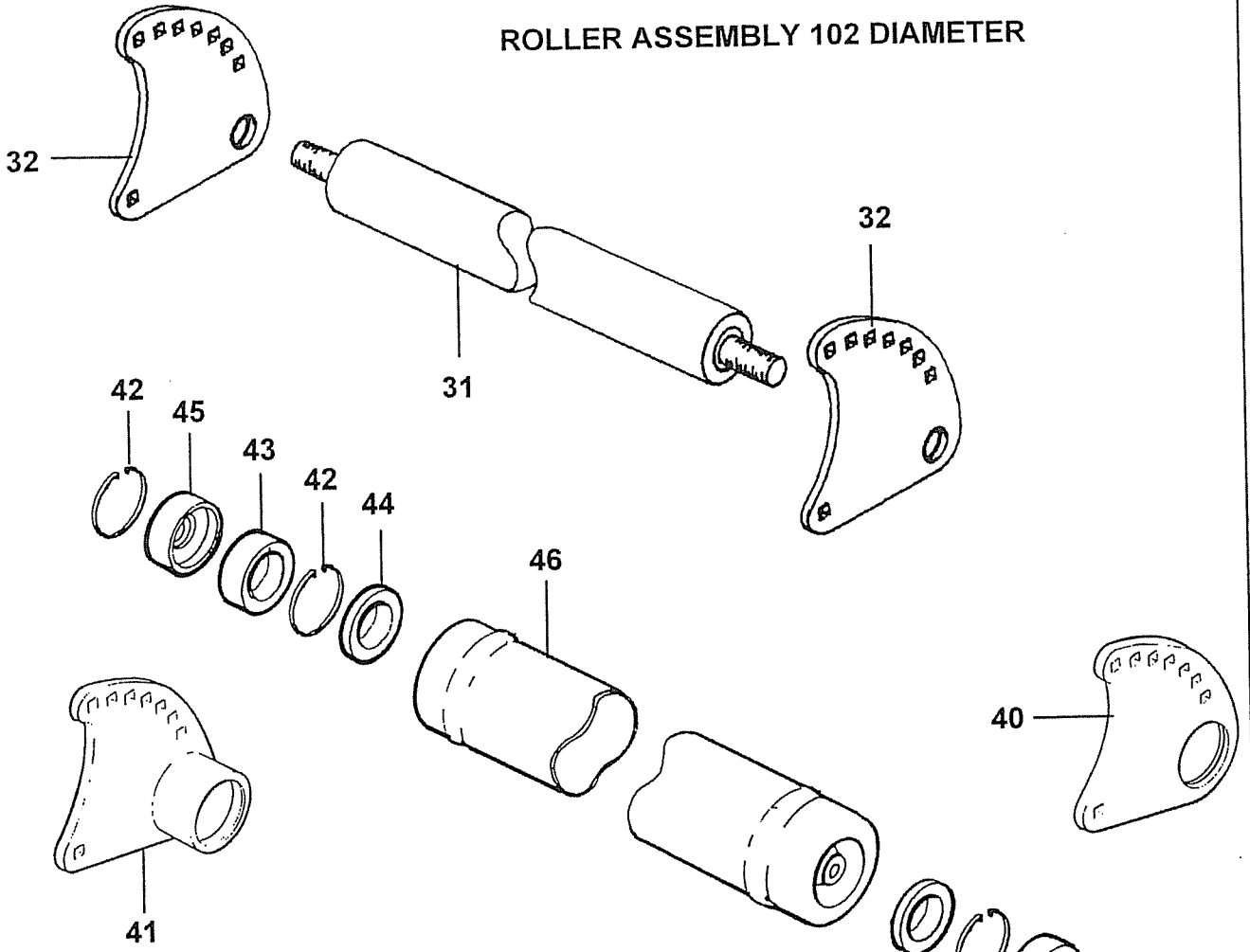
COWL WEAR BRACKET KIT



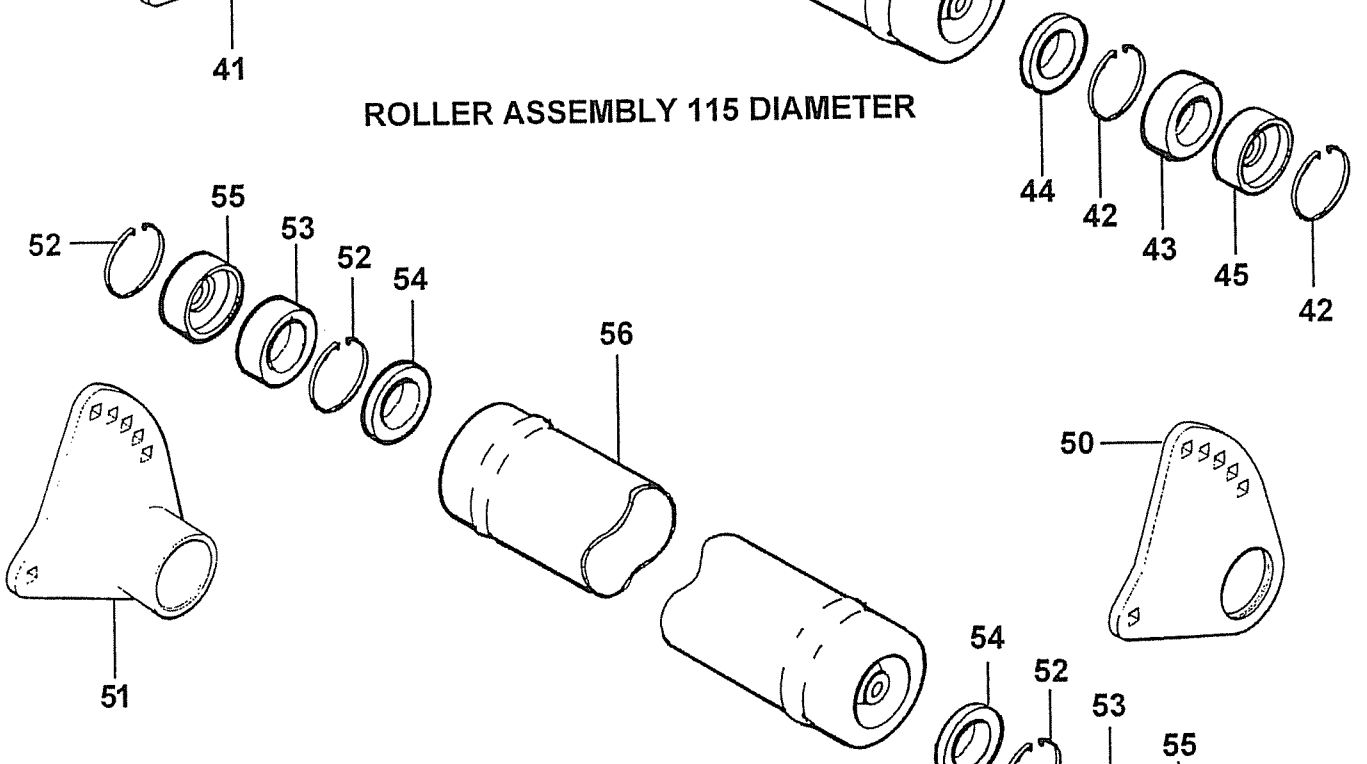
REF	PART NO	DESCRIPTION	QTY
71.025.02 BEARING ASSEMBLY			
01	05.345.05	SOCKET CSK SCREW M12X1.75X40	4
*01	06.221.01	BEARING ASSEMBLY 40 - BORE	1
02	05.282.03	SPRING WASHER 12MM PLATED	4
02	05.286.03	NUT M12 PLATED	4
02	05.625.10	SKT CAPSCRW M12 X 30DOME HD PLT	4
*02	06.193.01	PLATE-BEARING DRIVE END	1
03	05.286.03	NUT M12 PLATED	2
*03	06.220.01	SETSCREW M12 X 100 PLATED	1
04	05.264.25	SETSCREW M12 X 40MM PLATED	4
04	05.282.03	SPRING WASHER 12MM PLATED	4
*04	06.221.01	BEARING ASSEMBLY 40 - BORE	1
05	05.282.03	SPRING WASHER 12MM PLATED	4
05	05.286.03	NUT M12 PLATED	4
05	05.625.10	SKT CAPSCRW M12 X 30 DOME HD PLT	4
*05	06.197.01	PLATE-BEARING NON DRIVE	1
06	06.195.01	GUARD-NON DRIVE	1
07	02.824.01	WASHER 50 O/D X13 I/D X 6MM	2
07	05.264.23	SETSCREW M12 X 30MM PLATED	2
07	05.283.03	SHAKEPROOF WASHER 12MM PLATED	2
*07	06.219.01	DISC-SHIELD	2
76.370.03 / 04 WEAR KIT LH / RH			
01	05.287.03	SELF - LOCKING NUT M12 PLATED	3
01	05.839.30	BOLT CUP SQ M12 X 70 (PLATED)	1
01	05.839.31	BOLT CUP SQ M12 X 80 (SQUARE)	2
*01	42.473.01	BRACKET - WEAR LH	1
02	05.287.03	SELF - LOCKING NUT M12 PLATED	3
02	05.839.30	BOLT CUP SQ M12 X 70 (PLATED)	1
02	05.839.31	BOLT CUP SQ M12 X 80 (SQUARE)	2
*02	42.473.02	BRACKET - WEAR RH	1

*MAIN PART IN GROUP, RELATED PARTS HAVE SAME REFERENCE NUMBER

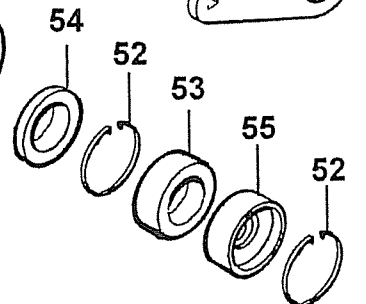
ROLLER ASSEMBLY 102 DIAMETER



ROLLER ASSEMBLY 115 DIAMETER

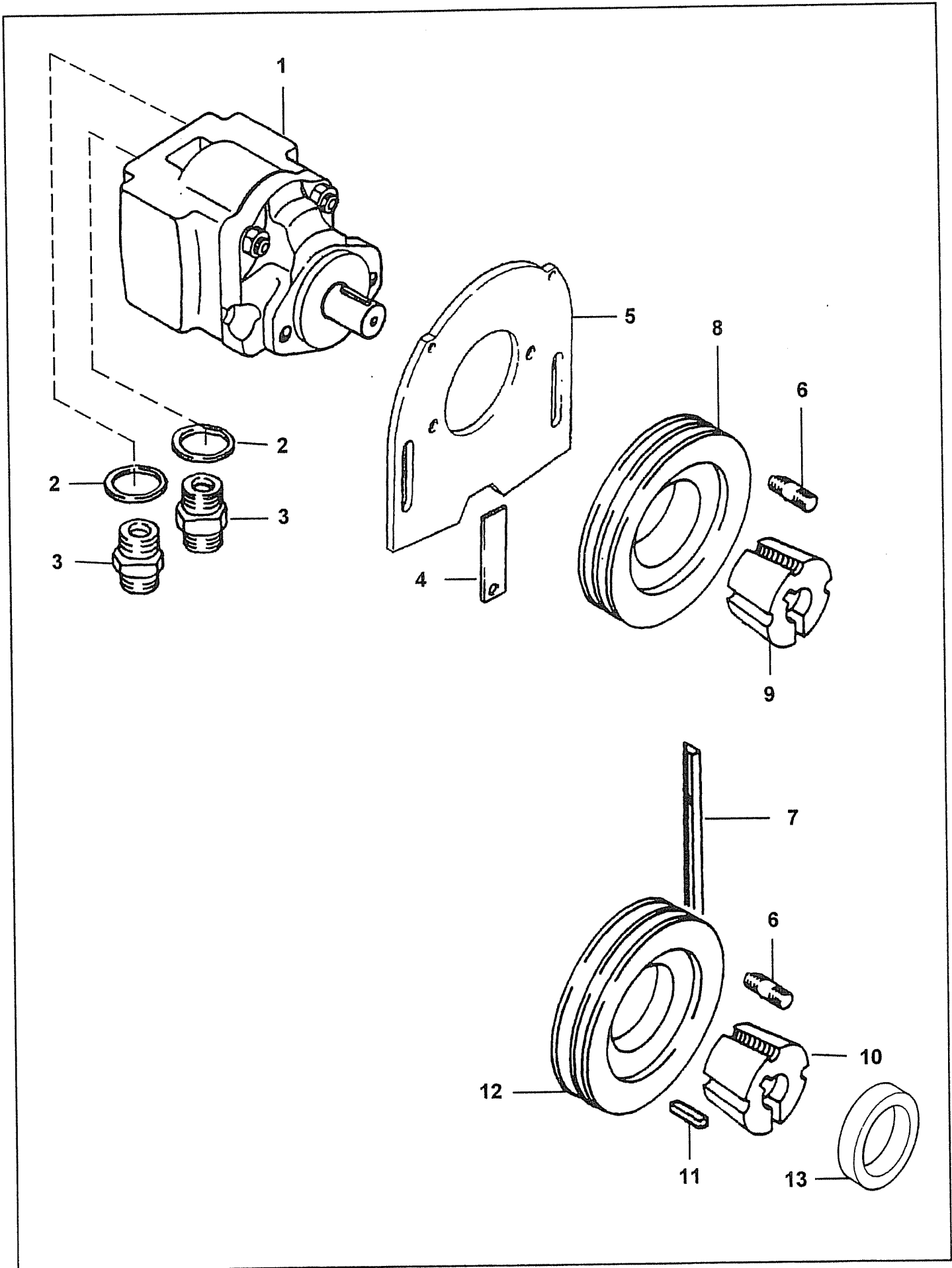


ROLLER ASSEMBLY 150 DIAMETER



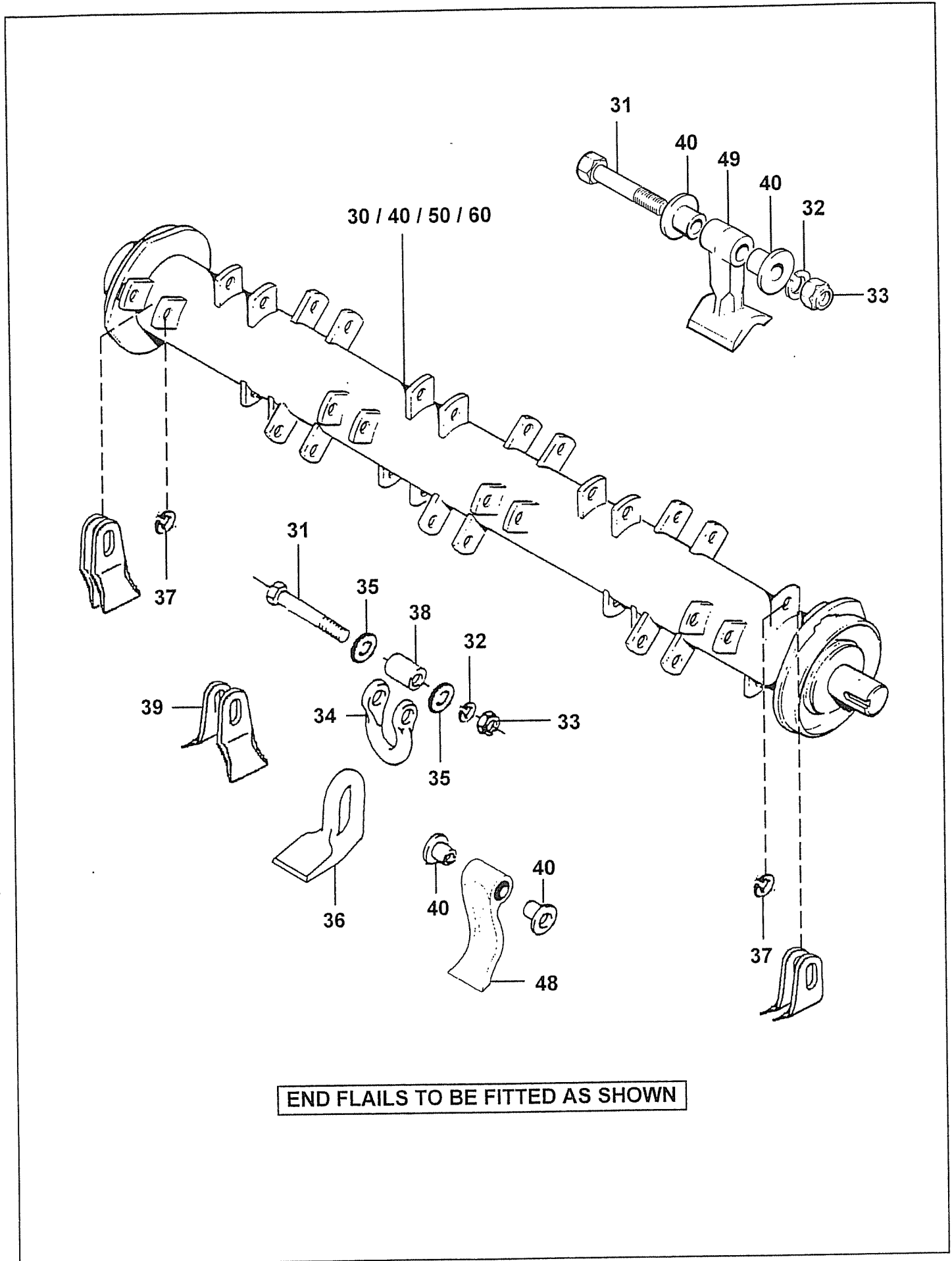
REF	PART NO	DESCRIPTION	QTY
76.284.05 ROLLER ASSEMBLY			
31	05.281.18	FLAT WASHER 30MM -PLATED	2
31	05.282.12	SPRING WASHER 30MM PLATED	2
31	05.286.07	NUT M30	4
*31	41822.04	ROLLER ASSY 102 DIA X 1239	1
32	42100.01	PLATE-ROLLER MOUNTING	2
76.284.07 ROLLER ASSEMBLY 115 DIA			
40	42502.01	BRACKET - ROLLER 115 LH	1
41	42502.02	BRACKET - ROLLER 115 RH	1
42	05.959.05	CIRCLIP - INT 62MM DIA	4
43	03.007.02	BEARING - BALL 30MM BORE	2
44	04.164.04	SEAL - LIP 40DIA X 10MM	2
45	05.953.01	GREASE NIPPLE M6	4
*45	41851.01	CAP - BEARING RETAINER	2
46	05.234.01	WASHER 44.5 X 13 X 5MM PLATED	2
46	05.282.03	SPRING WASHER 12MM PLATED	2
46	05.625.10	SKT CAPSCRW M12X30DOME HD PLT	2
*46	42056.01	ROLLER 115 DIA - 1200	1
76.284.06 ROLLER ASSEMBLY 150 DIA			
50	42398.01	BRACKET - ROLLER 150 DIA LH	1
51	42398.02	BRACKET - ROLLER 150 DIA RH	1
52	05.959.05	CIRCLIP - INT 62MM DIA	4
53	03.007.02	BEARING - BALL 30MM BORE	2
54	04.164.04	SEAL - LIP 40DIA X 10MM	2
55	05.953.01	GREASE NIPPLE M6	4
*55	41851.01	CAP - BEARING RETAINER	2
56	05.234.01	WASHER 44.5 X 13 X 5MM PLATED	2
56	05.282.03	SPRING WASHER 12MM PLATED	2
56	05.625.10	SKT CAPSCRW M12X30DOME HD PLT	2
*56	09.878.01	ROLLER 150 DIA - 1200	1

*MAIN PART IN GROUP RELATED PARTS HAVE SAME REFERENCE NUMBER



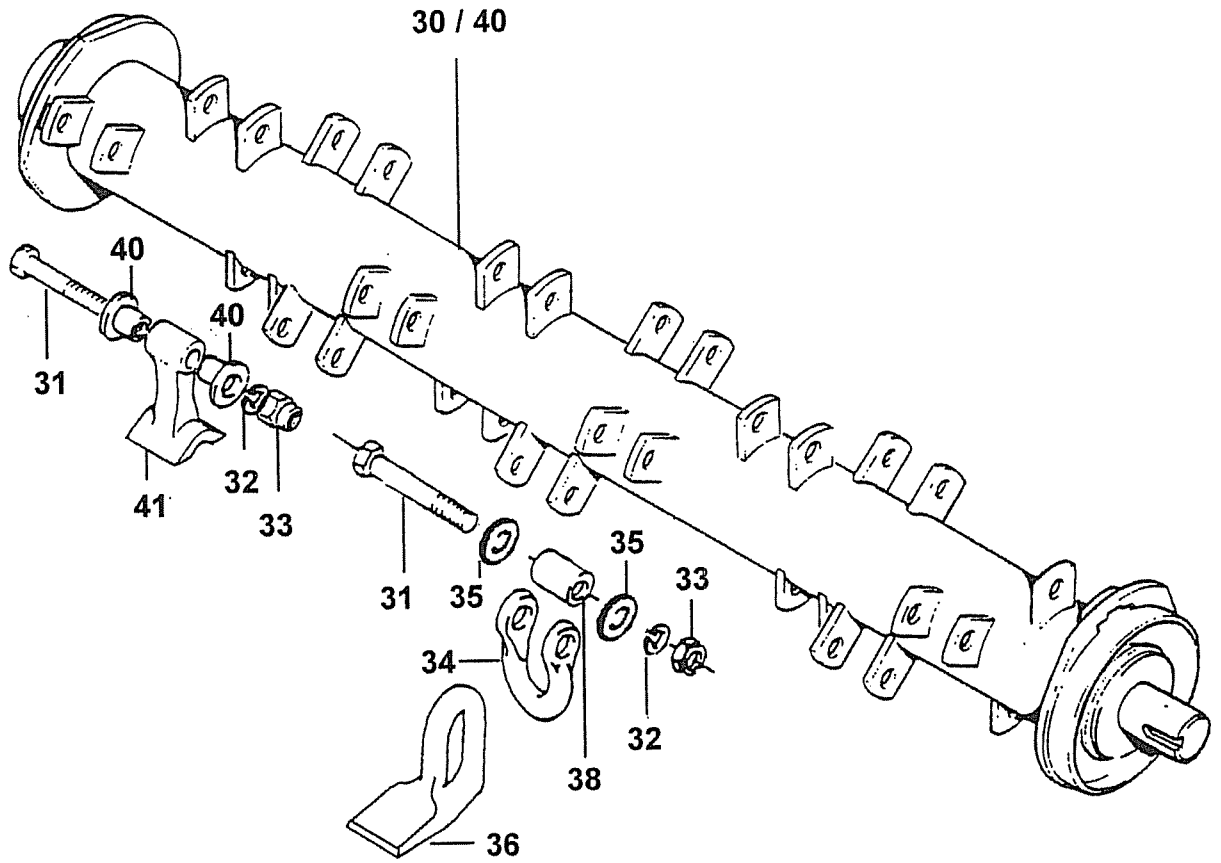
REF	PART NO	DESCRIPTION	QTY
76.285.09 MOTOR 84L PULLEY & BELTS			
01	01.071.13	KEY-SEP 1/4" X 1/4" X 1"	-
01	09.773.02	SEAL KIT FOR 09.773 MOTOR	-
*01	09.773.05	MOTOR	1
01	41905.03	DECAL - 84	1
02	05.290.06	BONDED SEAL 3/4"BSP	2
03	05.373.01	ADAPTOR 3/4"BSP X 1"BSP	2
04	07.833.01	PLATE - COVER	1
05	05.281.03	FLAT WASHER 12MM PLATED	2
05	05.282.03	SPRING WASHER 12MM PLATED	2
05	05.286.03	NUT M12 PLATED	2
05	05.625.12	SOCKET DOMED SCREW M12 X 35 PLT	2
*05	41893.01	PLATE - MOTOR MOUNTING GEAR	1
*06	04.282.56	STUD M10 X 37MM	2
06	05.282.02	SPRING WASHER 10MM PLATED	2
06	05.286.02	NUT M10 PLATED	2
07	05.299.36	V-BELT XPA 1060	2
08	03.795.12	PULLY - 2SPA X 160 PCD	1
09	05.424.08	TAPER-LOCK 1"BORE	1
10	05.424.22	TAPER LOCK 40MM BORE	1
11	05.960.19	KEY - S/REP 12MM X 8MM X 28MM	1
12	03.795.06	PULLEY-VEE 140MM	1
13	42109.01	SPACER	1

*MAIN PART IN GROUP, RELATED PARTS HAVE SAME REFERENCE NUMBER



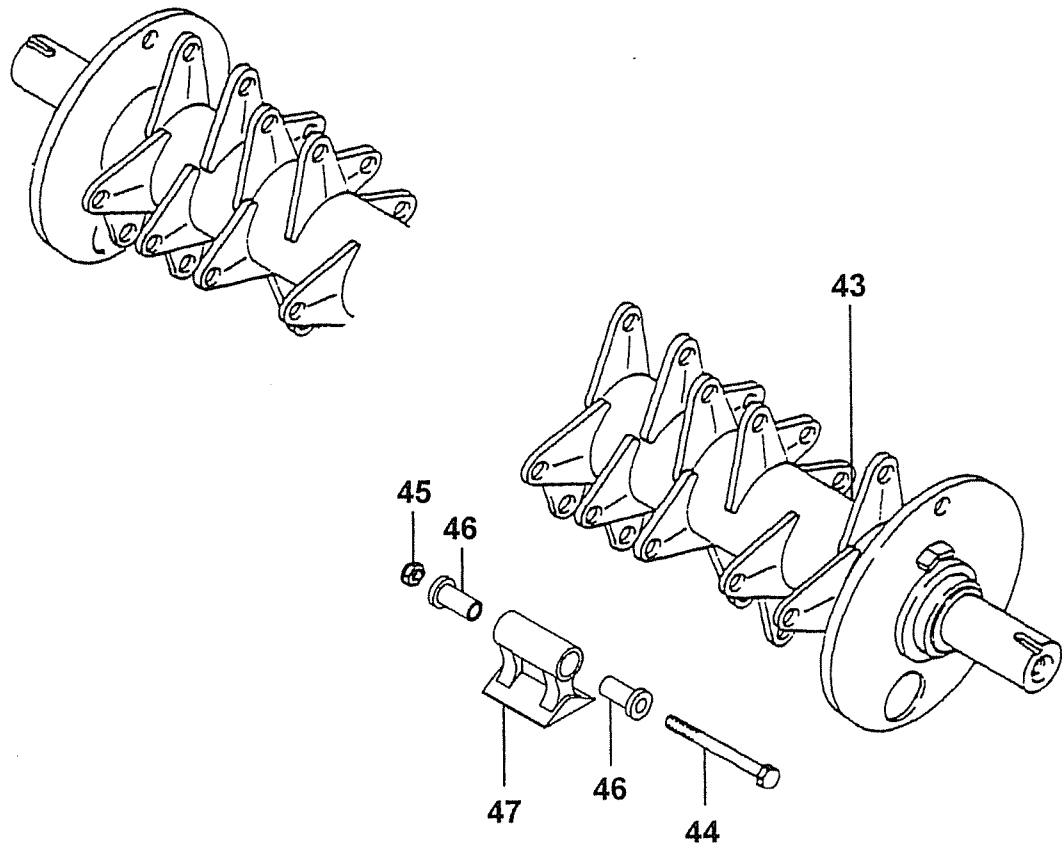
REF	PART NO	DESCRIPTION	QTY
76.287.19, 76.287.22 ROTOR SHAFT 1200			
30	42108.01	ROTOR SHAFT ASSY CLOCKWISE	1
30	42108.02	ROTOR SHAFT ASSY ANTICLOCKWISE	1
31	05.775.10	BOLT - SPECIAL M14 X 94MM	32
32	05.282.08	SPRING WASHER 14MM PLATED	29
33	05.968.06	S.LOCKING NUT M14 (FINE) PLATE	32
34	05.895.01	SHACKLE-FORGED	32
35	05.281.04	FLAT WASHER 16MM PLATED	64
36	02.959.01	FLAIL - FORGED	32
37	05.282.04	SPRING WASHER 16MM PLATED	3
38	02.807.01	SPACER 1"O/D X 16MM I/D X 27MM	32
76.287.21 ROTOR SHAFT 1200			
40	42108.05	ROTOR SH.ASSY	1
31	05.775.10	BOLT - SPECIAL M14 X 94MM	32
32	05.282.08	SPRING WASHER 14MM PLATED	29
33	05.968.06	S.LOCKING NUT M14 (FINE) PLATE	32
34	05.895.01	SHACKLE-FORGED	32
35	05.281.04	FLAT WASHER 16MM PLATED	64
37	05.282.04	SPRING WASHER 16MM PLATED	3
38	02.807.01	SPACER 1"O/D X 16MM I/D X 27MM	32
39	41654.01	FLAIL - FLARED 51 X 8	64
76.287.32, 76.287.33 ROTOR SHAFT 1200			
31	05.775.10	BOLT - SPECIAL M14 X 94MM	32
32	05.282.08	SPRING WASHER 14MM PLATED	29
33	05.968.06	S.LOCKING NUT M14 (FINE) PLATE	32
37	05.282.04	SPRING WASHER 16MM PLATED	3
40	09.894.01	COLLAR-PIVOT	64
48	42155.01	FLAIL-SINGLE EDGE (PRO-FLAIL)	32
50	42108.08	ROTOR SHAFT ASSY CLOCKWISE	1
50	42108.09	ROTOR SHAFT ASSY ANTICLOCKWISE	1
76.287.39 ROTOR SHAFT 1200			
60	42108.10	ROTOR SHAFT ASSEMBLY	1
31	05.775.10	BOLT - SPECIAL M14 X 94MM	32
32	05.282.08	SPRING WASHER 14MM PLATED	29
33	05.968.06	S.LOCKING NUT M14 (FINE) PLATE	32
37	05.282.04	SPRING WASHER 16MM PLATED	3
40	09.894.01	COLLAR - PIVOT	64
49	42716.01	FLAIL - FORGED 44MM	32

*MAIN PART IN GROUP, RELATED PARTS HAVE SAME REFERENCE NUMBER



REF	PART NO	DESCRIPTION	QTY
76.287.20 ROTOR SHAFT 1200			
30	42108.06	ROTOR SH.ASSY	1
31	05.775.10	BOLT - SPECIAL M14 X 94MM	24
32	05.282.08	SPRING WASHER 14MM PLATED	24
33	05.968.06	S.LOCKING NUT M14 (FINE) PLATE	24
40	09.894.01	COLLAR PIVOT	48
41	09.905.01	FLAIL-FORGED 62MM	24
76.287.23, 76.287.24 ROTOR SHAFT 1200			
31	05.775.10	BOLT-SPECIAL M14 X 94MM	24
32	05.282.08	SPRING WASHER 14MM PLATED	24
33	05.968.06	S.LOCKING NUT M14 (FINE) PLATE	24
34	05.895.01	SHACKLE-FORGED	24
35	05.281.04	FLAT WASHER 16MM PLATED	48
36	09.902.01	FLAIL - FORGED 58MM	24
38	02.807.01	SPACER 1"O/D X 16MM I/D X 27MM	24
40	42108.03	ROTOR SH. ASSY CLOCKWISE	1
40	42108.04	ROTOR SH. ASSY ANTICLOCKWISE	1

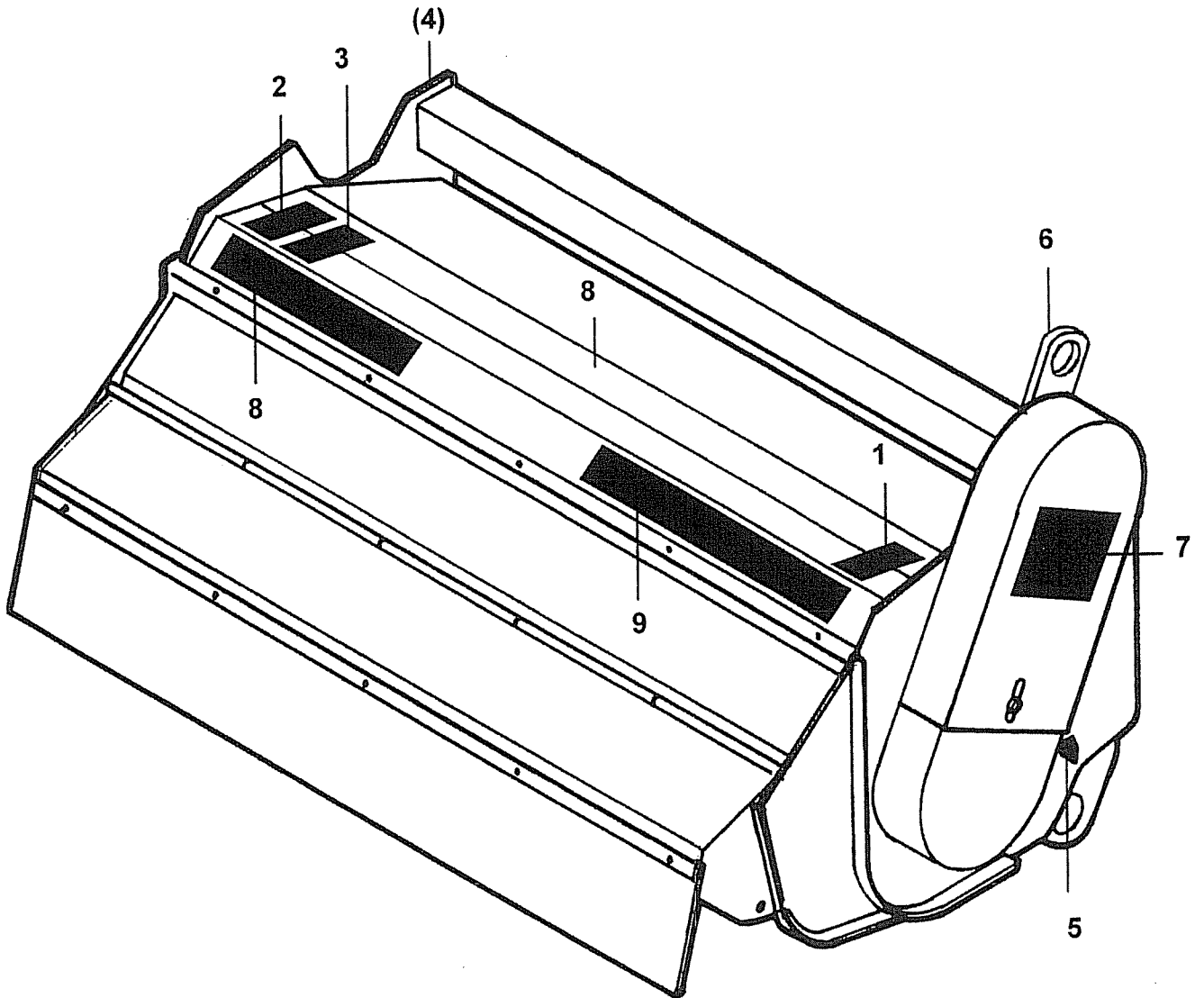
*MAIN PART IN GROUP, RELATED PARTS HAVE SAME REFERENCE NUMBER



REF	PART NO	DESCRIPTION	QTY
76.287.25 SHAFT ASSY-1200 BUSHMASTER FWD			
43	42108.07	ROTOR SH.ASSY	1
44	05.411.01	BOLT-1/2"UNF X 4.7/8"	24
45	05.295.04	S.LOCKING NUT 1/2"UNF PLATED	24
46	03.437.01	COLLAR 30 O/D X 45	48
47	42594.02	FLAIL - FORGED	24

*MAIN PART IN GROUP, RELATED PARTS HAVE SAME REFERENCE NUMBER

ITEM 4 POSITIONED ON
SIDE OF COWL AS
INDICATED



REF	PART NO	DESCRIPTION	QTY
72.855.02 DECALS - HEAD			
01	09.821.04	DECAL - DANGER THROWN DEBRIS	1
02	09.821.05	DECAL - CUTTING HEAD DANGER	1
03	09.821.08	DECAL - SAFEWORKING ON HEAD	1
04	09.821.10	DECAL - KEEP NUTS TIGHT	1
05	09.810.02	DECAL-GREASE (40 HOURS)	4
06	09.843.02	DECAL - LIFT POINT 350 KG	2
07	41.054.01	DECAL - HEAD GUARDING	1
08	09.837.01	DECAL - BOMFORD	1
09	41582.02	DECAL - TRIM-MASTER	1