

PM1737

# **TRIM KING**

## **CUTTING HEADS**

PARTS MANUAL

ISSUE 11

## IMPORTANT

NOTE HERE THE SERIAL NUMBER OF YOUR MACHINE AND ALWAYS QUOTE IT IN ANY COMMUNICATION WITH US OR YOUR DEALER. THIS IS PARTICULARLY IMPORTANT WHEN ORDERING SPARES. REMEMBER TO INCLUDE ALL NUMBERS AND LETTERS.

MACHINE SERIAL NUMBERS \_\_\_\_\_

THE INFORMATION GIVEN THROUGHOUT THIS MANUAL IS CORRECT AT THE TIME OF PUBLICATION. HOWEVER, IN THE COURSE OF CONSTANT DEVELOPMENT OF BOMFORD TURNER MACHINES, CHANGES IN SPECIFICATION ARE INEVITABLE. SHOULD YOU FIND THE INFORMATION GIVEN IN THIS BOOK TO BE AT VARIANCE WITH THE MACHINE IN YOUR POSSESSION, YOU ARE ADVISED TO CONTACT THE BOMFORD TURNER SERVICE DEPARTMENT WHERE UP-TO-DATE INFORMATION WILL BE PROVIDED.

THE MANUAL CAN CONTAIN STANDARD AND OPTIONAL FEATURES AND IS NOT TO BE USED AS A MACHINE SPECIFICATION.

THE MACHINE HAS BEEN TESTED AND IS CONSIDERED SAFE IF CAREFULLY USED. ENSURE YOUR OPERATOR IS PROPERLY TRAINED IN ITS USE AND MAINTENANCE.

---

## IMPORTANT

NOTEZ ICI LES NUMEROS DE SERIE DE VOTRE MACHINE ET MENTIONNEZ LES DANS TOUTE COMMUNICATION AVEC NOS SERVICES OU VOTRE REVENDEUR. CECI EST IMPORTANT POUR LA COMMANDE DE PIECES DETACHEES. PENSEZ A NOTER TOUS LES NUMEROS ET TOUTES LES LETTERS.

NUMEROS DE SERIE DE LA MACHINE \_\_\_\_\_

LES INFORMATIONS DONNEES DANS CE MANUEL SONT CORRECTES CEPENDANT, DU FAIT DE DEVELOPPEMENT CONSTANT DES MACHINES BOMFORD TURNER.

CHANGEMENTS DANS LES CARACTERISTIQUES SONT INEVITABLES.

SI VOUS TROUVEZ QUE LES INFORMATIONS DONNEES NE CORRESPONDENT PAS A VOTRE MACHINE VEUILLEZ CONTACTER LE SERVICE DES REPARATIONS OU DES INFORMATIONS PLUS RECENTES VOUS SERONT DONNEES. CE MANUEL PEUT MONTRER DES CARACTERISTIQUES OPTIONNELLES ET NE PEUT PAS ETRE CONSIDERE COMME SPECIFICATION DE LA MACHINE.

CETTE MACHINE A ETE TESTEE, ET ELLE EST CONSIDEREE COMME FIABLE A CONDITION D'UNE BONNE UTILISATION. ASSUREZ-VOUS QUE VOTRE OPERATEUR EST QUALIFIE EN CE QUI CONCERNE L'UTILISATION DE LA MACHINE AINSI QUE SON ENTRETIEN.

---

## WICHTIG

TRAGEN SIE HIER DIE SERIENNUMMERN IHRER MASCHINE EIN UND GEBEN SIE DIESE IMMER AN, WENN SIE SICH AN UNS ODER IHREN HÄNDLER WENDEN. DAS IST BESONDERS BEI ERSATZTEILBESTELLUNGEN WICHTIG. VERGESSEN SIE NICHT, ALLE ZAHLEN UND BUCHSTABEN ZU NOTIEREN.

SERIENNUMMERN DER MASCHINE \_\_\_\_\_

DIE ANGABEN IN DIESEM HANDBUCH SIND BEI VERÖFFENTLICHUNG KORREKT. AUFGRUND DER KONSTANTEN WEITERENTWICKLUNG VON BOMFORD TURNER MASCHINEN SIND JEDOCHÄNDERUGDEN IN DER SPEZIFIKATION UNVERMEIDLICH. WENN DIE INFORMATION IN DIESEM HANDBUCH NICHT MIT IHRER MASCHINE ÜBEREINSTIMMEN, NEHMEN SIE BITTE KONTAKT MIT DER BOMFORD TURNER KUNDENDIENSTABTEILUNG AUF, DIE IHNEN GERNE DIE AKTUELLEN INFORMATION ZUKOMMEN LÄSST.

DAS HANDBUCH KANN SOWOHL BESCHREIBUNGEN FÜR DIE STANDARD AUSFÜHRUNG ALS AUCH FÜR ZUBEHÖR ENTHALTEN UND IST NICHT ALS MASCHINENSPEZIFIKATION ZU VERWENDET.

DIE MASCHINE IST GETESTET UND BEI SACHGEMÄSSEM BETRIEB ALS SICHER BEFUNDEN WORDEN. SORGEN SIE DAFÜR, DASS IHR BEDIENPERSONAL IN ANWENDUNG UND WARTUNG RICHTIG GESCHULT WIRD.

## TRIM KING 1200, 1500 AND ISMP 1200

*PAGE AND ILLUSTRATION NUMBERS SHOWN ARE USED ONLY FOR REFERENCE PURPOSES AND SHOULD NOT BE USED FOR ORDERING SPARE PARTS.*

*PLEASE ENSURE THE CORRECT PART NUMBER AND DESCRIPTION IS GIVEN WHEN ORDERING SPARE PARTS.*

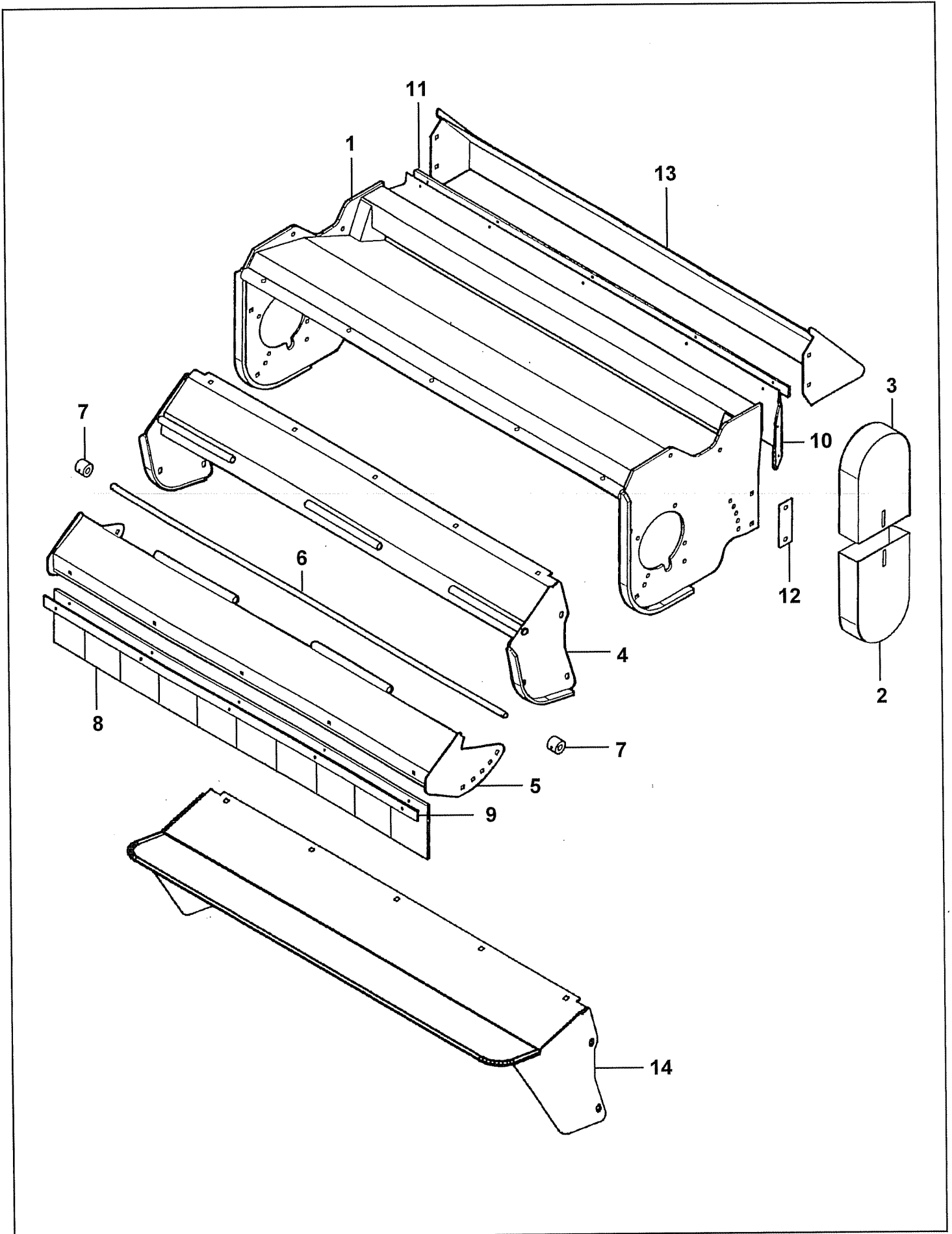
Page No.	Section
2 - 1 TO 2 - 2	COWL ASSEMBLY 1200
2 - 3 TO 2 - 4	COWL ASSEMBLY 1500
2 - 5 TO 2 - 6	COWL ASSEMBLY ISMP
3 - 1 TO 3 - 2	BEARING ASSEMBLY 1200 - 1500
	COWL WEAR BRACKET KIT
3 - 3 TO 3 - 4	BEARING ASSEMBLY ISMP
4 - 1 TO 4 - 2	ROLLER ASSEMBLY 1200, 1500 AND ISMP
5 - 1 TO 5 - 2	MOTOR ASSEMBLY 84 LITRE
5 - 3 TO 5 - 4	MOTOR ASSEMBLY 100 LITRE
5 - 5 TO 5 - 6	MOTOR ASSEMBLY 125 LITRE
5 - 7 TO 5 - 8	MOTOR ASSEMBLY PISTON
6 - 1 TO 6 - 2	ROTOR SHAFT ASSEMBLIES 1200
6 - 3 TO 6 - 4	
7 - 1 TO 7 - 2	ROTOR SHAFT ASSEMBLIES 1500
7 - 3 TO 7 - 4	
8 - 1 TO 8 - 2	ROTOR SHAFTS ISMP
8 - 3 TO 8 - 4	
9 - 1 TO 9 - 2	DECALS

# IMPORTANT

**THIS MACHINE IS FOR VEGETATION CONTROL AND  
MUST NOT BE USED FOR ANY OTHER PURPOSE**

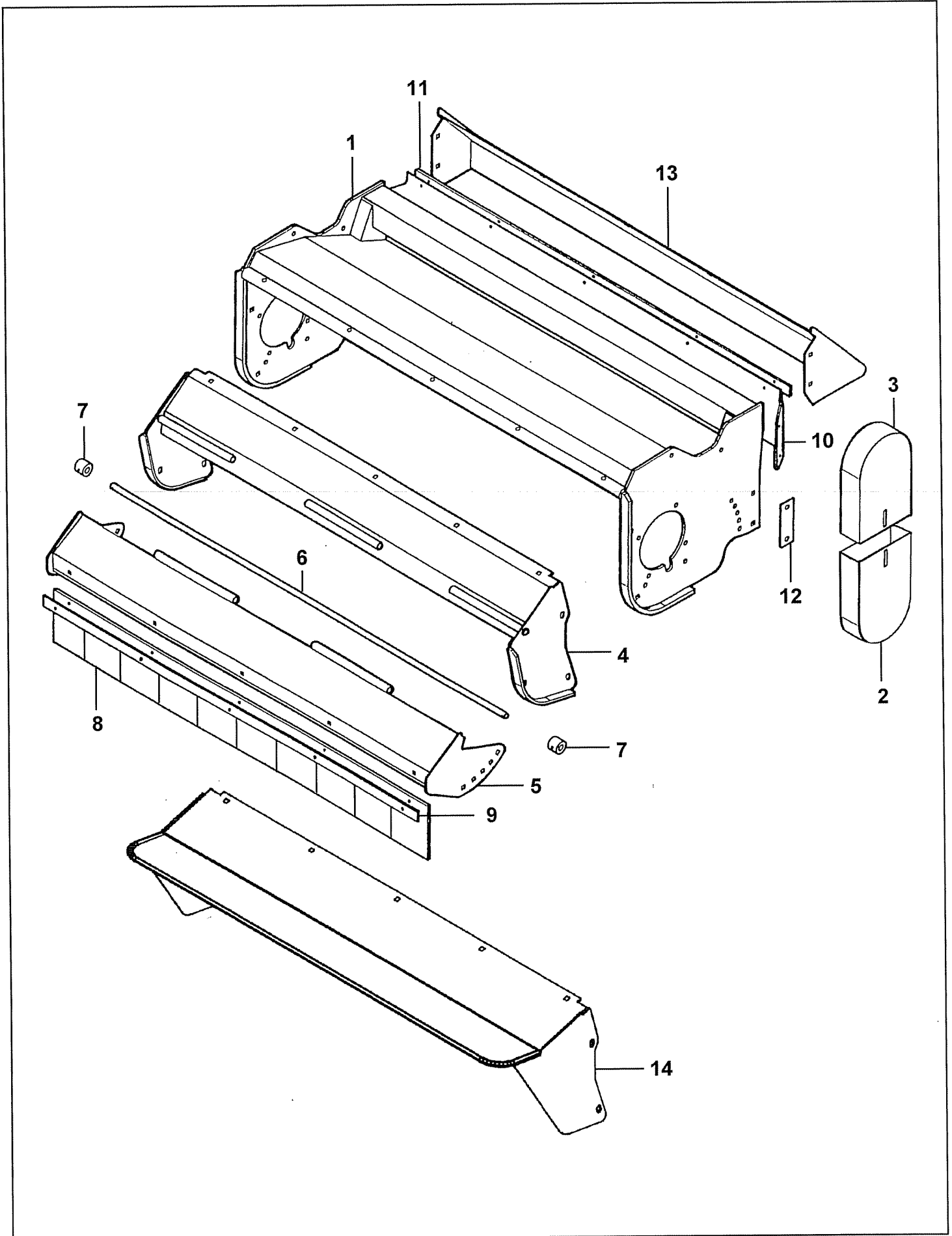
**IT IS POTENTIALLY HAZARDOUS TO FIT OR USE  
ANY PARTS OTHER THAN GENUINE BOMFORD TURNER PARTS**

**THE COMPANY DISCLAIMS ALL LIABILITY FOR THE  
CONSEQUENCES OF SUCH USE, WHICH IN ADDITION  
VOIDS THE MACHINE WARRANTY**



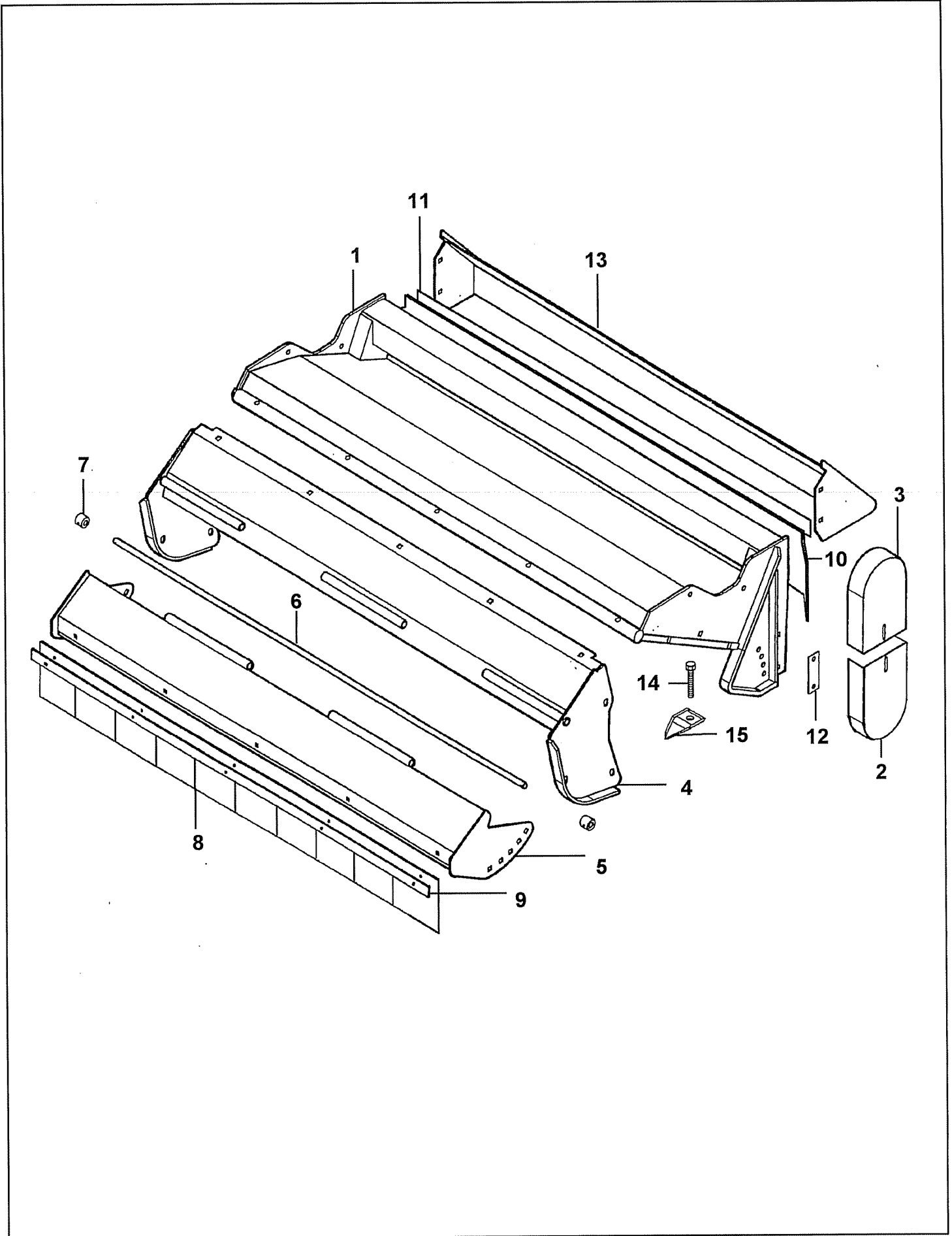
REF	PART NO.	DESCRIPTION	QTY
<b>76.286.01/03, 76.475.01 COWL 1200 ASSEMBLY</b>			
01	05.227.01	HAMMER DRIVE SCREW NO.6 X 3/8"	2
01	05.282.03	SPRING WASHER 12MM PLATED	6
01	05.286.03	NUT M12 PLATED	6
01	05.774.06	SERIAL NO.PLATE BOMFORD TURNER	1
01	05.839.26	BOLT CUP SQ M12 X 30 (PLATED)	6
*01	41885.01	COWL - 1200	1
02	05.264.21	SETSCREW M12 X 20MM PLATED	1
02	05.281.03	FLAT WASHER 12MM PLATED	1
02	05.282.03	SPRING WASHER 12MM PLATED	2
02	05.286.03	NUT M12 PLATED	1
*02	06.205.01	GUARD-BOTTOM DRIVE	1
03	05.264.21	SETSCREW M12 X 20MM PLATED	2
03	05.282.03	SPRING WASHER 12MM PLATED	2
*03	06.222.01	GUARD-TOP DRIVE ( <b>GEAR</b> )	1
*03	41937.01	GUARD-TOP DRIVE ( <b>PISTON</b> )	1
04	05.281.03	FLAT WASHER 12MM PLATED	4
04	05.282.03	SPRING WASHER 12MM PLATED	6
04	05.286.03	NUT M12 PLATED	6
04	05.287.02	SELF-LOCKING NUT M10 PLATED	5
04	05.839.24	BOLT CUP SQ M10 X 50 (PLATED)	5
04	05.839.26	BOLT CUP SQ M12 X 30 (PLATED)	6
*04	42299.01	GUARD - FRONT FIXED 1200	1
05	42301.01	GUARD - FRONT ADJUSTMENT 1200	1
06	05.201.17	TENSION PIN 3MM X 25MM PLATED	2
*06	41435.01	PIN PIVOT FRONT GUARD	1
07	41436.01	SPACER-PIVOT FRONT GUARD	2
08	42297.01	GUARD - FLEXIBLE FRONT 1200	1
09	05.287.01	SELF-LOCKING NUT M8 PLATED	5
09	09.594.01	BACKING STRIP 1200	1
*09	9293054	BOLT CUP SQUARE M8X25 (PLATE)	5
10	41884.01	GUARD - FLEXIBLE REAR 1200	1
11	05.282.01	SPRING WASHER 8MM PLATED	5
11	05.287.01	SELF-LOCKING NUT M8 PLATED	5
*11	09.594.01	BACKING STRIP 1200	1
11	9293054	BOLT CUP SQUARE M8X25 (PLATE)	5
12	05.282.03	SPRING WASHER 12MM PLATED	4
12	05.286.03	NUT M12 PLATED	4
12	05.839.26	BOLT CUP SQ M12 X 30 (PLATED)	4
*12	41883.01	CLAMP - GUARD	2
13	05.281.01	FLAT WASHER 8MM PLATED	5
13	05.287.01	SELF-LOCKING NUT M8 (PLATED)	5
13	05.282.03	SPRING WASHER 12MM PLATED	4
13	05.286.03	NUT M12 PLATED	4
13	05.839.26	BOLT CUP SQ M12 X 30 (PLATED)	4
*13	41906.01	GUARD - REAR 1200	1
13	9293054	BOLT CUP SQUARE M8 X 25 (PLATE)	5
14	05.281.03	FLAT WASHER 12MM PLATED	4
14	05.282.03	SPRING WASHER 12MM PLATED	4
14	05.286.03	NUT M12 PLATED	4
14	05.287.02	SELF-LOCKING NUT M10 PLATED	5
14	05.839.24	BOLT CUP SQ M10 X 50 (PLATED)	5
14	05.839.26	BOLT CUP SQ M12 X 30 (PLATED)	4
*14	42616.01	FRONT GUARD - 1200TK HEDGE	1

\*MAIN PART IN GROUP, RELATED PARTS HAVE SAME REFERENCE NUMBER



REF	PART NO.	DESCRIPTION	QTY
<b>76.286.02/ 07, 76.477.01 COWL 1500 ASSEMBLY</b>			
01	05.227.01	HAMMER DRIVE SCREW NO.6 X 3/8"	2
01	05.282.03	SPRING WASHER 12MM PLATED	6
01	05.286.03	NUT M12 PLATED	6
01	05.774.06	SERIAL NO.PLATE BOMFORD TURNER	1
01	05.839.26	BOLT CUP SQ M12 X 30 (PLATED)	6
*01	41938.01	COWL - 1500	1
02	05.264.21	SETSCREW M12 X 20MM PLATED	1
02	05.281.03	FLAT WASHER 12MM PLATED	1
02	05.282.03	SPRING WASHER 12MM PLATED	2
02	05.286.03	NUT M12 PLATED	1
*02	06.205.01	GUARD-BOTTOM DRIVE	1
03	05.264.21	SETSCREW M12 X 20MM PLATED	2
03	05.282.03	SPRING WASHER 12MM PLATED	2
*03	06.222.01	GUARD-TOP DRIVE ( <b>GEAR</b> )	1
*03	41937.01	GUARD-TOP DRIVE ( <b>PISTON</b> )	1
04	05.281.03	FLAT WASHER 12MM PLATED	4
04	05.282.03	SPRING WASHER 12MM PLATED	6
04	05.286.03	NUT M12 PLATED	6
04	05.287.02	SELF-LOCKING NUT M10 PLATED	6
04	05.839.24	BOLT CUP SQ M10 X 50 (PLATED)	6
04	05.839.26	BOLT CUP SQ M12 X 30 (PLATED)	6
*04	42300.01	GUARD - FRONT FIXED 1500	1
05	42302.01	GUARD - FRONT ADJUSTABLE 1500	1
06	05.201.17	TENSION PIN 3MM X 25MM PLATED	2
*06	41438.01	PIN PIVOT FRT GUARD	1
07	41436.01	SPACER-PIVOT FRONT GUARD	2
08	42297.02	GUARD - FLEXIBLE FRONT 1500	1
09	05.287.01	SELF-LOCKING NUT M8 PLATED	6
*09	09.594.02	BACKING STRIP 1500	1
09	9293054	BOLT CUP SQUARE M8X25 (PLATED)	6
10	41884.02	GUARD - FLEXIBLE REAR 1500	1
11	05.287.01	SELF-LOCKING NUT M8 PLATED	6
*11	09.594.02	BACKING STRIP 1500	1
11	9293054	BOLT CUP SQUARE M8X25 (PLATED)	6
12	05.282.03	SPRING WASHER 12MM PLATED	4
12	05.286.03	NUT M12 PLATED	4
12	05.839.26	BOLT CUP SQ M12 X 30 (PLATED)	4
*12	41883.01	CLAMP - GUARD	2
13	05.281.01	FLAT WASHER 8MM PLATED	5
13	05.282.03	SPRING WASHER 12MM PLATED	4
13	05.287.01	SELF-LOCKING NUT M8 PLATED	5
13	05.286.03	NUT M12 PLATED	4
13	05.839.26	BOLT CUP SQ M12 X 30 (PLATED)	4
*13	41906.02	GUARD - REAR 1500	1
13	9293054	BOLT CUP SQUARE M8 X 25 (PLATE)	5
14	05.281.03	FLAT WASHER 12MM PLATED	4
14	05.282.03	SPRING WASHER 12MM PLATED	4
14	05.286.03	NUT M12 PLATED	4
14	05.287.02	SELF-LOCKING NUT M10 PLATED	6
14	05.839.24	BOLT CUP SQ M10 X 50 (PLATED)	6
14	05.839.26	BOLT CUP SQ M12 X 30 (PLATED)	4
*14	42620.01	FRONT GUARD - 1500TK HEDGE	1

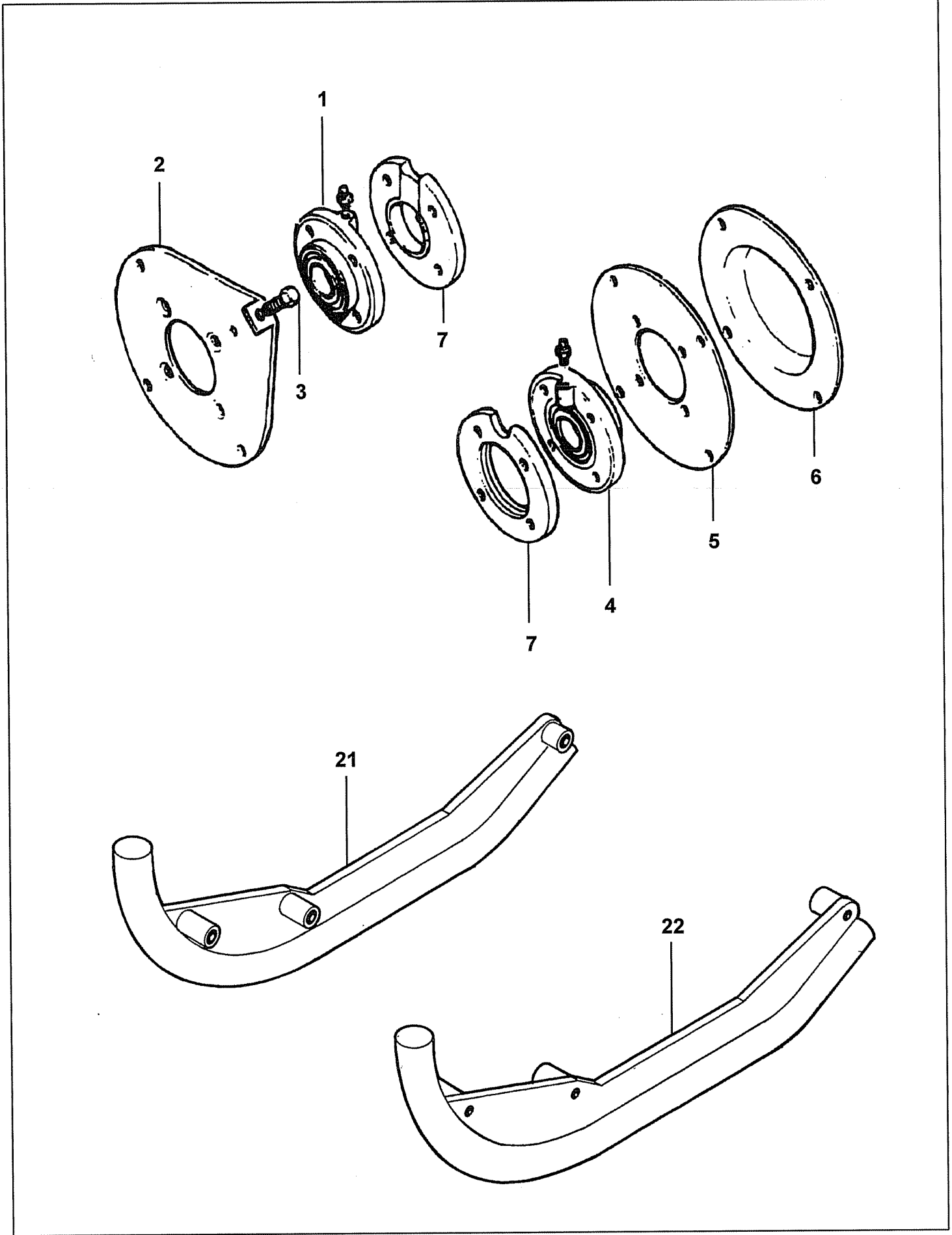
\*MAIN PART IN GROUP, RELATED PARTS HAVE SAME REFERENCE NUMBER





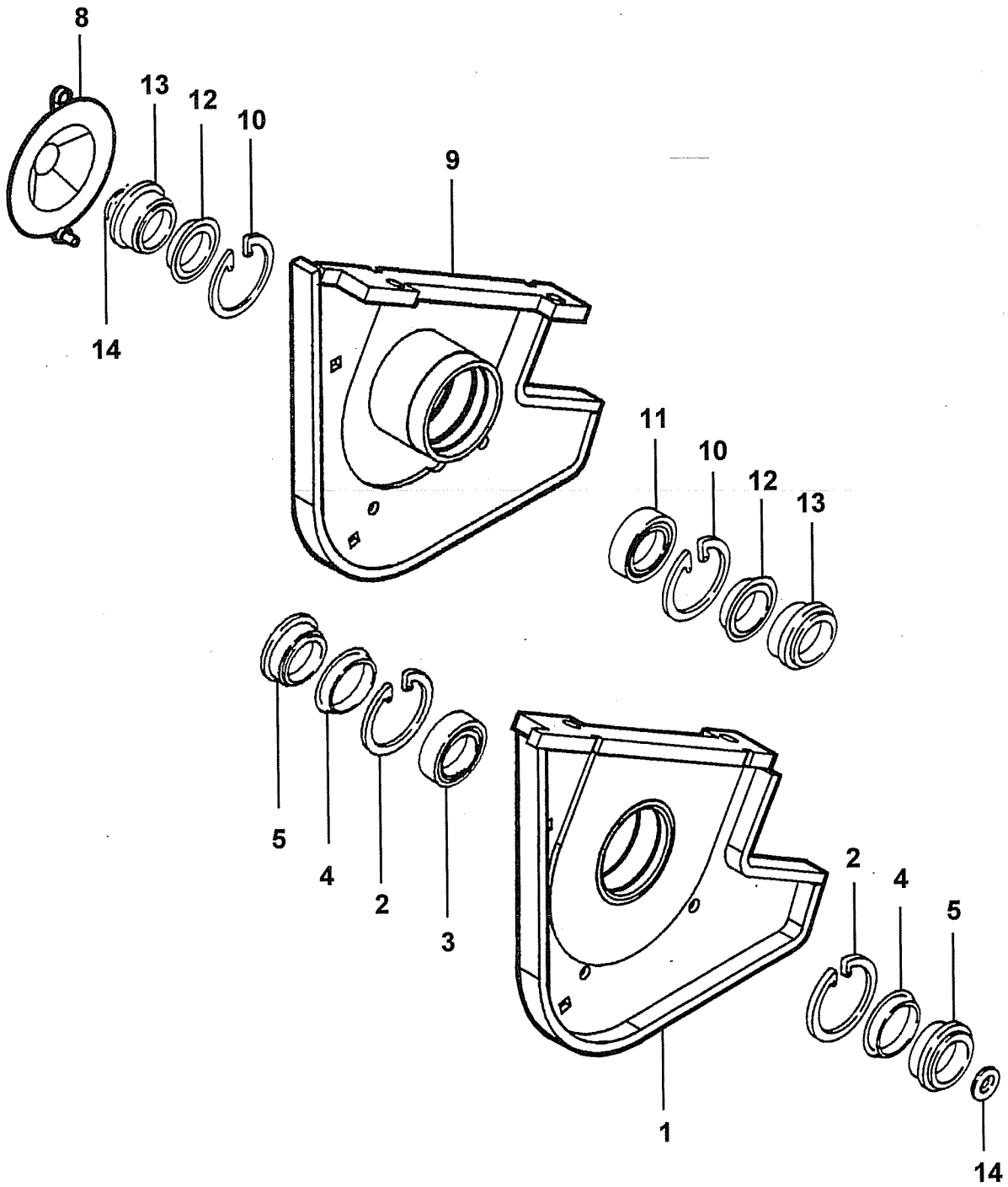
REF	PART NO.	DESCRIPTION	QTY
<b>76.286.09 &amp; 10 COWL ISMP ASSY</b>			
01	05.227.01	HAMMER DRIVE SCREW NO.6 X 3/8"	2
01	05.282.03	SPRING WASHER 12MM PLATED	6
01	05.286.03	NUT M12 PLATED	6
01	05.774.06	SERIAL NO.PLATE BOMFORD TURNER	1
01	05.839.26	BOLT CUP SQ M12 X 30 (PLATED)	6
*01	41945.01	COWL - ISMP 1200	1
02	05.264.21	SETSCREW M12 X 20MM PLATED	1
02	05.281.03	FLAT WASHER 12MM PLATED	1
02	05.282.03	SPRING WASHER 12MM PLATED	2
02	05.286.03	NUT M12 PLATED	1
*02	06.205.01	GUARD-BOTTOM DRIVE	1
03	05.264.21	SETSCREW M12 X 20MM PLATED	2
03	05.282.03	SPRING WASHER 12MM PLATED	2
*03	06.222.01	GUARD-TOP DRIVE ( <b>GEAR</b> )	1
*03	41937.01	GUARD-TOP DRIVE ( <b>PISTON</b> )	1
04	05.281.03	FLAT WASHER 12MM PLATED	4
04	05.282.03	SPRING WASHER 12MM PLATED	6
04	05.286.03	NUT M12 PLATED	6
04	05.287.02	SELF-LOCKING NUT M10 PLATED	5
04	05.839.24	BOLT CUP SQ M10 X 50 (PLATED)	5
04	05.839.26	BOLT CUP SQ M12 X 30 (PLATED)	6
*04	42299.02	GUARD - FRONT FIXED 1200	1
05	42301.02	GUARD - FRONT ADJUSTMENT 1200	1
06	05.201.17	TENSION PIN 3MM X 25MM PLATED	2
*06	41435.01	PIN PIVOT FRT GUARD	1
07	41436.01	SPACER-PIVOT FRONT GUARD	2
08	42297.01	GUARD - FLEXIBLE FRONT 1200	1
09	05.282.01	SPRING WASHER M8 PLATED	5
09	05.286.01	NUT M8 (PLATED)	1
*09	09.594.01	BACKING STRIP 1200	1
09	9293054	BOLT CUP SQUARE M8 X 25 (PLATED)	5
10	41884.01	GUARD - FLEXIBLE REAR 1200	1
11	05.282.01	SPRING WASHER M8 PLATED	5
11	05.286.01	NUT M8 PLATED	5
*11	09.594.01	BACKING STRIP 1200	1
11	9293054	BOLT CUP SQUARE M8 X 25 (PLATED)	5
12	05.282.03	SPRING WASHER 12MM PLATED	4
12	05.286.03	NUT M12 PLATED	4
12	05.839.26	BOLT CUP SQ M12 X 30 (PLATED)	4
*12	41883.01	CLAMP - GUARD	2
13	05.281.01	FLAT WASHER 8MM PLATED	5
13	05.282.03	SPRING WASHER 12MM PLATED	4
13	05.287.01	SELF-LOCKING NUT M8 PLATED	5
13	05.286.03	NUT M12 PLATED	4
13	05.839.26	BOLT CUP SQ M12 X 30 (PLATED)	4
*13	41906.03	GUARD - REAR 1200	1
13	9293054	BOLT CUP SQUARE M8 X 25 (PLATE)	5
14	05.286.03	NUT M12 PLATED	2
*14	06.220.01	SETSCREW M12 X 100 PLATED	1
15	05.282.03	SPRING WASHER 12MM PLATED	1
15	05.286.03	NUT M12 PLATED	1
15	05.839.26	BOLT CUP SQ M12 X 30 (PLATED)	1
*15	41.946.01	BRACKET BOLT ADJUSTMENT	1

\*MAIN PART IN GROUP, RELATED PARTS HAVE SAME REFERENCE NUMBER



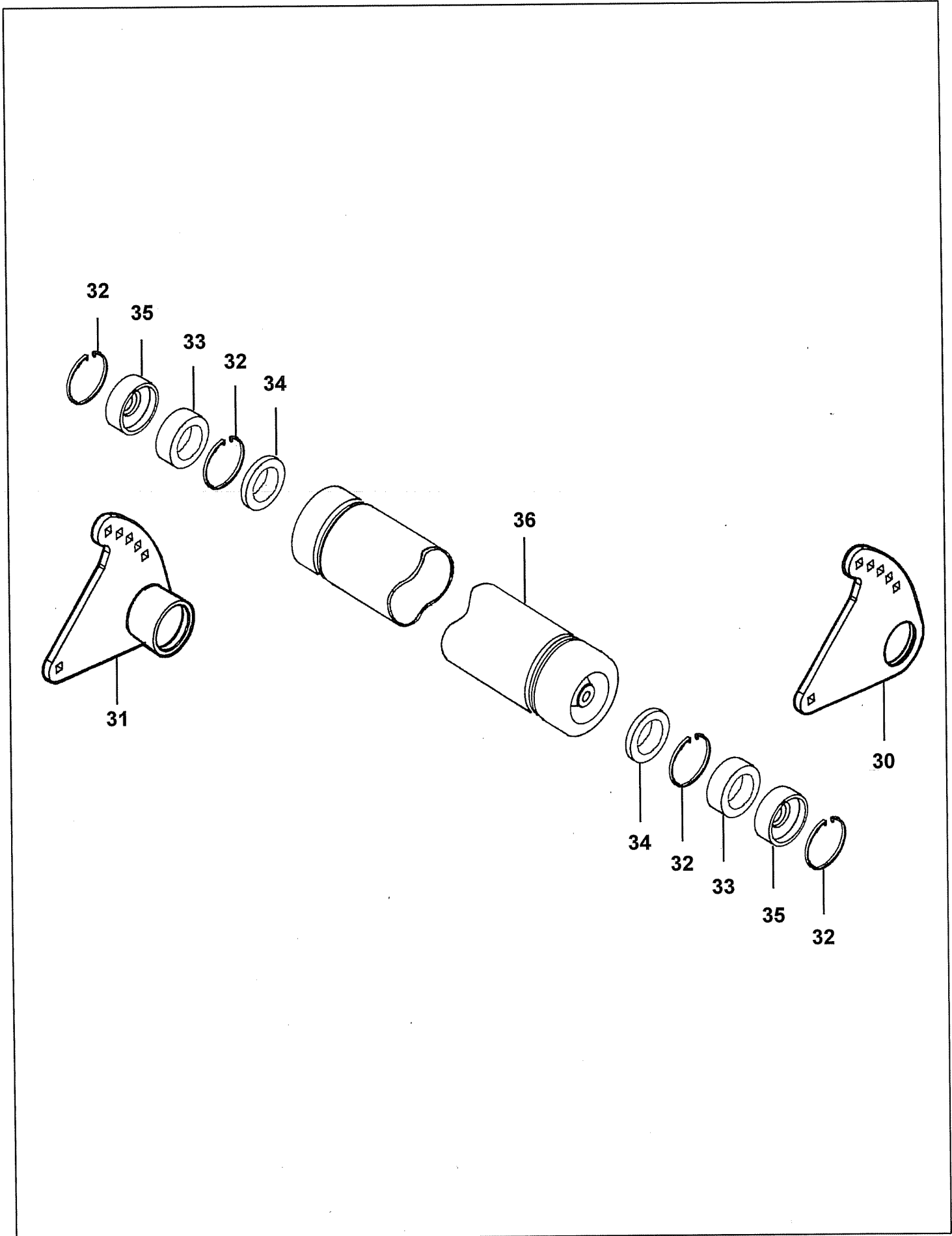
REF	PART NO.	DESCRIPTION	QTY
<b>71.025.02 BEARING ASSEMBLY</b>			
01	05.345.05	SOCKET CSK SCREW M12 X 1.75 X 40	4
*01	06.221.01	BEARING ASSEMBLY 40 - BORE	1
02	05.282.03	SPRING WASHER 12MM PLATED	4
02	05.286.03	NUT M12 PLATED	4
02	05.625.10	SKT CAPSCRW M12X30 DOME HD PLT	4
*02	06.193.01	PLATE-BEARING DRIVE END	1
03	05.286.03	NUT M12 PLATED	2
03	06.220.01	SETSCREW M12 X 100 PLATED	1
04	05.264.25	SETSCREW M12 X 40MM PLATED	4
04	05.282.03	SPRING WASHER 12MM PLATED	4
*04	06.221.01	BEARING ASSEMBLY 40 - BORE	1
05	05.282.03	SPRING WASHER 12MM PLATED	4
05	05.286.03	NUT M12 PLATED	4
05	05.625.10	SKT CAPSCRW M12 X 30 DOME HD PLT	4
*05	06.197.01	PLATE-BEARING NON DRIVE	1
06	06.195.01	GUARD-NON DRIVE	1
07	02.824.01	WASHER 50 O/D X 13 I/D X 6MM	2
07	05.264.23	SETSCREW M12 X 30MM PLATED	2
07	05.283.03	SHAKEPROOF WASHER 12MM PLATED	2
*07	06.219.01	DISC-SHIELD	2
<b>COWL WEAR BRACKET KIT</b>			
21	05.287.03	SELF LOCKING NUT M12 PLATED	3
21	05.839.30	BOLT CUP SQ M12 X 70 (PLATED)	1
21	05.839.31	BOLT CUP SQ M12 X 80 (SQUARE)	2
*21	41960.02	BRACKET - WEAR RH	1
22	05.287.03	SELF LOCKING NUT M12 PLATED	3
22	05.839.30	BOLT CUP SQ M12 X 70 (PLATED)	1
22	05.839.31	BOLT CUP SQ M12 X 80 (SQUARE)	2
*22	41960.01	BRACKET - WEAR LH	1

\*MAIN PART IN GROUP, RELATED PARTS HAVE SAME REFERENCE NUMBER



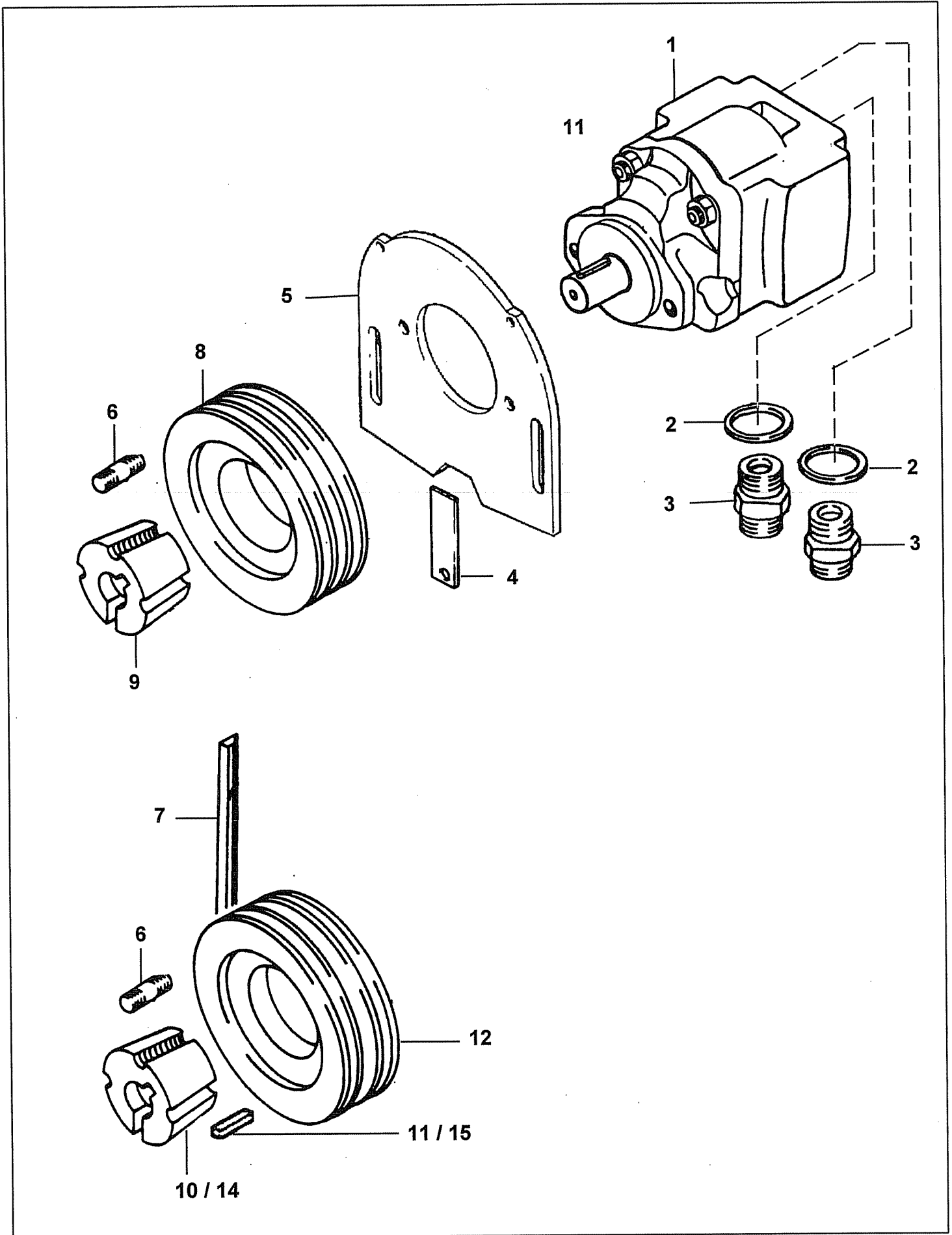
REF	PART NO.	DESCRIPTION	QTY
<b>76.118.02 BEARING ASSEMBLY</b>			
01	05.775.01	BOLT M16 X 50MM (10.9) PLATED	2
01	05.953.03	GREASE NIPPLE M10	1
01	05.968.04	S.LOCKING NUT M16 (FINE) PLATE	2
*01	41947.01	BEARING HOUSING LH	1
02	05.959.07	CIRCLIP - INT 85MM DIA	2
03	04.163.04	BEARING-SPH.ROLLER 45MM BORE	1
04	06.909.01	SPACER-SEAL	2
05	06.910.01	COLLAR-SEAL	2
08	05.282.03	SPRING WASHER 12MM PLATED	2
08	05.286.03	NUT M12 PLATED	2
08	05.839.27	BOLT CUP SQ M12 X 30 (PLATED)	1
*08	41961.01	GUARD - NON DRIVE ISMP	1
09	05.775.01	BOLT M16 X 50MM (10.9) PLATED	2
09	05.953.03	GREASE NIPPLE M10	1
09	05.968.04	S.LOCKING NUT M16 (FINE) PLATE	2
09	41947.02	BEARING HOUSING RH	1
10	05.959.07	CIRCLIP - INT 85MM DIA	2
11	04.163.04	BEARING-SPH.ROLLER 45MM BORE	1
12	06.909.01	SPACER-SEAL	2
13	06.910.01	COLLAR-SEAL	2
14	04.252.01	WASHER 65 O/DX17 I/DX8MM	2
*14	05.264.35	SETSCREW M16 X 40MM PLATED	2
14	05.283.04	SHAKEPROOF WASHER 16MM PLATED	2

\*MAIN PART IN GROUP, RELATED PARTS HAVE SAME REFERENCE NUMBER



REF	PART NO.	DESCRIPTION	QTY
<b>76.284.01 &amp; 02 ROLLER ASSY 150 DIA</b>			
30	41897.01	BRACKET - ROLLER 150 LH	1
31	41897.02	BRACKET - ROLLER 150 RH	1
32	05.959.05	CIRCLIP - INT 62MM DIA	4
33	03.007.02	BEARING - BALL 30MM BORE	2
34	04.164.04	SEAL-LIP 40DIA X 10MM	2
35	05.953.01	GREASE NIPPLE M6	4
*35	41851.01	CAP - BEARING RETAINER	2
36	05.234.01	WASHER 44.5 X 13 X 5MM PLATED	2
36	05.282.03	SPRING WASHER 12MM PLATED	2
36	05.625.10	SKT CAPSCRW M12 X 30 DOME HD PLT	2
*36	09.878.04	ROLLER 150 DIA - 1200	1
*36	09.878.05	ROLLER 150 DIA - 1500	1
<b>76.284.04 &amp; 03 ROLLER ASSY 115 DIA</b>			
30	41975.01	BRACKET - ROLLER 115 LH	1
31	41975.02	BRACKET - ROLLER 115 RH	1
32	05.959.05	CIRCLIP - INT 62MM DIA	4
33	03.007.02	BEARING - BALL 30MM BORE	2
34	04.164.04	SEAL-LIP 40DIA X 10MM	2
35	05.953.01	GREASE NIPPLE M6	4
*35	41851.01	CAP - BEARING RETAINER	2
36	05.234.01	WASHER 44.5 X 13 X 5MM PLATED	2
36	05.282.03	SPRING WASHER 12MM PLATED	2
36	05.625.10	SKT CAPSCRW M12 X 30 DOME HD PLT	2
*36	42056.01	ROLLER 115 DIA - 1200	1
*36	42056.02	ROLLER 115 DIA - 1500	1

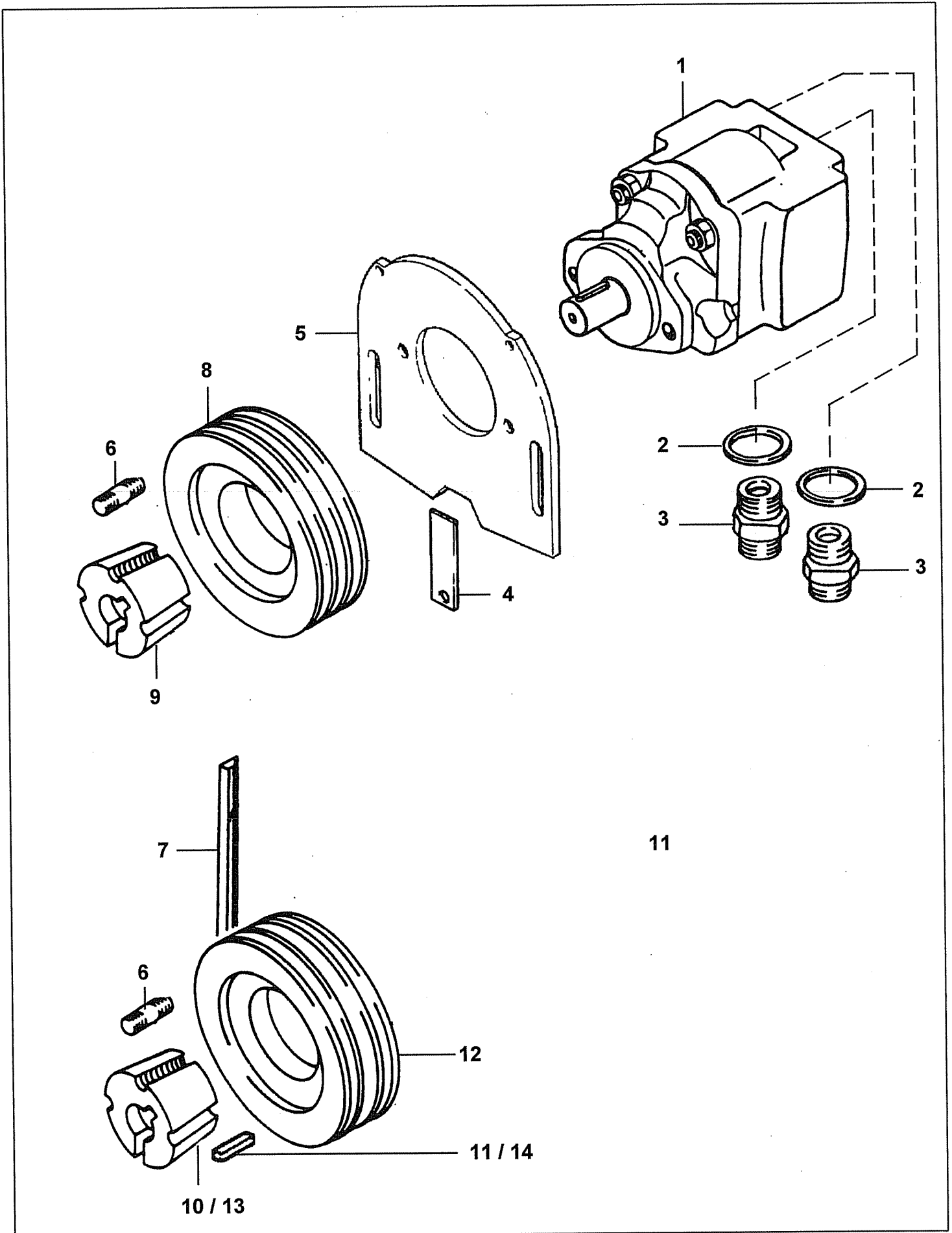
\*MAIN PART IN GROUP, RELATED PARTS HAVE SAME REFERENCE NUMBER





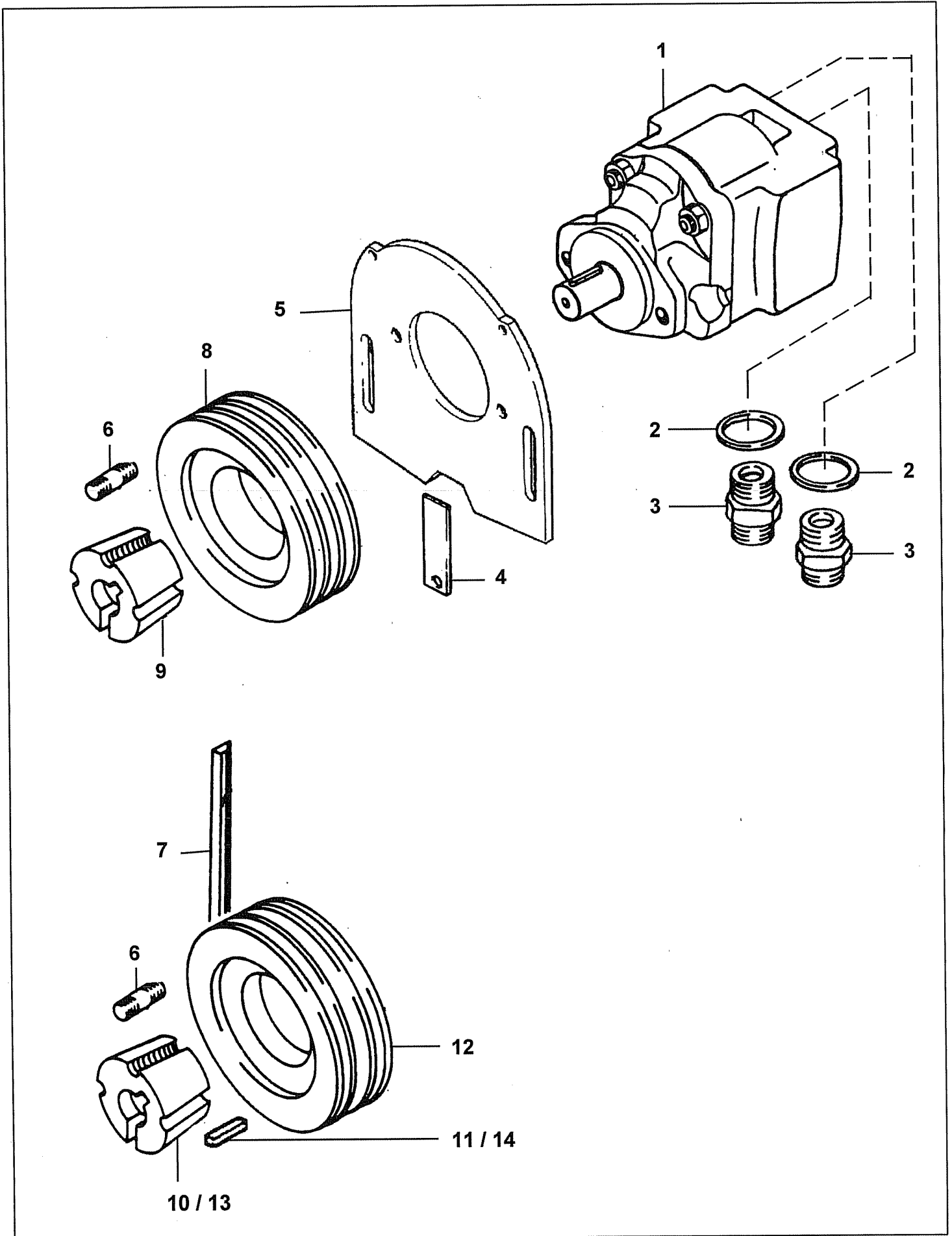
REF	PART NO.	DESCRIPTION	QTY
<b>STANDARD 1200, 1500, ISMP 76.285.03 &amp; 07 MOTOR 84L PULLEY &amp; BELT</b>			
01	01.071.13	KEY-SEP 1/4"X1/4"X1"	-
*01	09.773.05	MOTOR ASSEMBLY	1
01	09.773.02	SEAL KIT FOR 09.773 MOTOR	-
02	05.290.06	BONDED SEAL 3/4" BSP	2
03	05.373.01	ADAPTOR 3/4"BSP X 1"BSP	2
04	07.833.01	PLATE - COVER	1
05	05.281.03	FLAT WASHER 12MM PLATED	2
05	05.282.03	SPRING WASHER 12MM PLATED	2
05	05.286.03	NUT M12 PLATED	2
05	05.625.12	SOCKET DOMED SCREW M12 X 35 PLT	2
*05	41893.01	PLATE - MOTOR MOUNTING GEAR	1
*06	04.282.56	STUD M10 X 37MM	2
06	05.282.02	SPRING WASHER 10MM PLATED	2
06	05.286.02	NUT M10 PLATED	2
07	05.299.36	V-BELT XPA 1060 QUAD POWER	3
08	03.795.01	PULLEY-VEE 160MM PCD X 3SPA	1
09	05.424.01	TAPER-LOCK 7/8"BORE (2517)	1
12	03.795.03	PULLEY-VEE 140MM PCD X 3SPA	1
<b>1200 &amp; 1500</b>			
10	05.424.18	TAPER LOCK 40MM (2517)	1
11	05.960.16	KEY-S/REP 12MM X 8MM X 40MM	1
<b>ISMP ONLY</b>			
14	05.424.17	TAPER LOCK 45MM BORE	1
15	05.960.13	KEY 14MM X 9MM X 45MM	1

\*MAIN PART IN GROUP, RELATED PARTS HAVE REFERENCE NUMBER



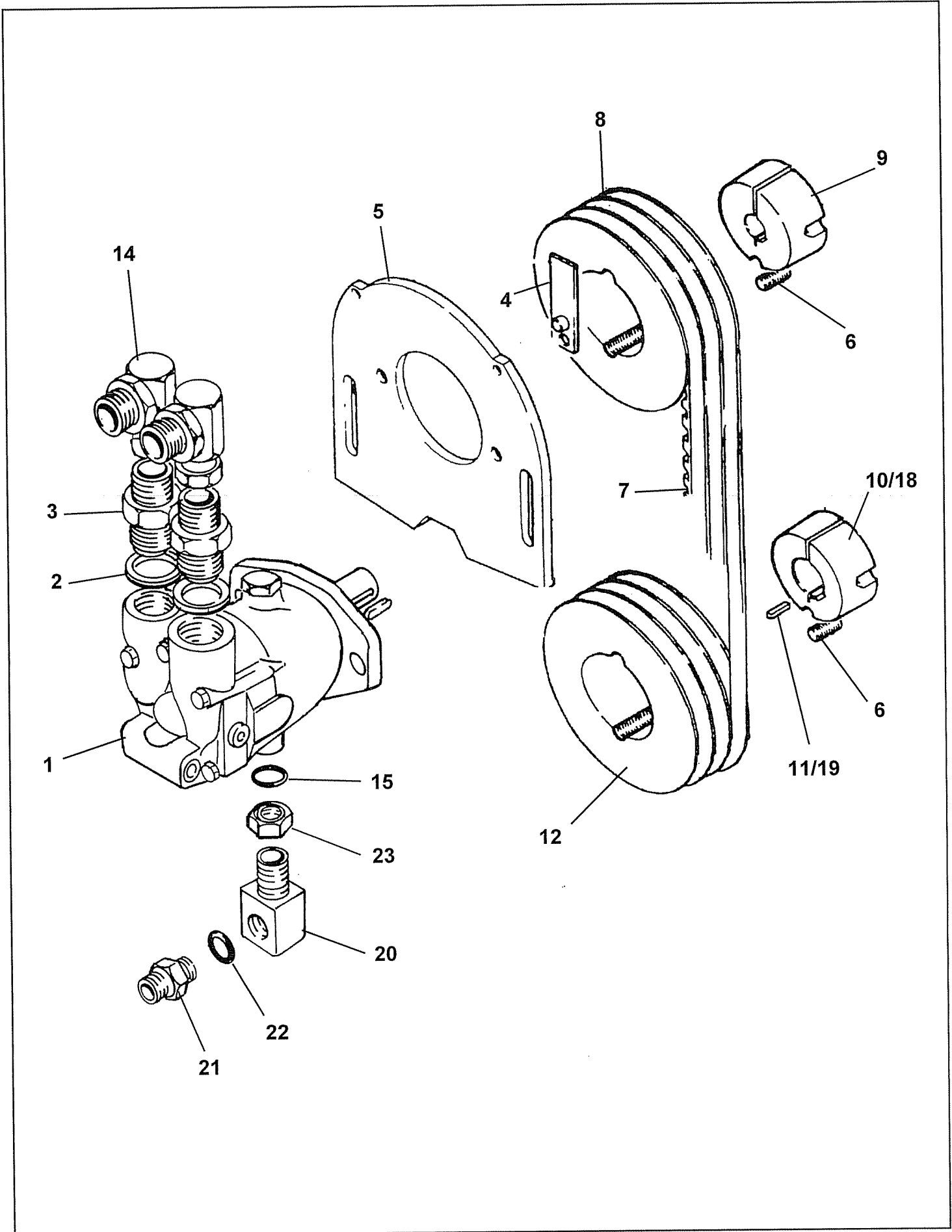
REF	PART NO.	DESCRIPTION	QTY
<b>STANDARD 1200, 1500, ISMP</b>			
<b>76.285.02 &amp; 06 MOTOR 100L PULLEY &amp; BELT</b>			
01	01.071.13	KEY-SEP 1/4" X 1/4" X 1"	-
01	09.773.02	SEAL KIT FOR 09.773 MOTOR	-
*01	09.773.03	MOTOR ULTRA 2TR041	1
01	41905.01	DECAL - 100	1
02	05.290.06	BONDED SEAL 3/4"BSP	2
03	05.373.01	ADAPTOR 3/4"BSP X 1"BSP	2
04	07.833.01	PLATE - COVER	1
05	05.281.03	FLAT WASHER 12MM PLATED	2
05	05.282.03	SPRING WASHER 12MM PLATED	2
05	05.286.03	NUT M12 PLATED	2
05	05.625.12	SOCKET DOMED SCREW M12 X 35 PLT	2
*05	41893.01	PLATE - MOTOR MOUNTING GEAR	1
*06	04.282.56	STUD M10 X 37MM	2
06	05.282.02	SPRING WASHER 10MM PLATED	2
06	05.286.02	NUT M10 PLATED	2
07	05.299.36	V-BELT XPA 1060 QUAD POWER	3
08	03.795.01	PULLEY-VEE 160MM PCD X 3SPA	1
09	05.424.07	TAPER-LOCK 1"BORE (2517)	1
12	03.795.03	PULLEY-VEE 140MM PCD X 3SPA	1
<b>1200 &amp; 1500</b>			
10	05.424.18	TAPER LOCK 40MM (2517)	1
11	05.960.16	KEY-S/REP 12MM X 8MM X 40MM	1
<b>ISMP ONLY</b>			
13	05.424.17	TAPER LOCK 45MM BORE	1
14	05.960.13	KEY 14MM X 9MM X 45MM	1

\*MAIN PART IN GROUP, RELATED PARTS HAVE REFERENCE NUMBER



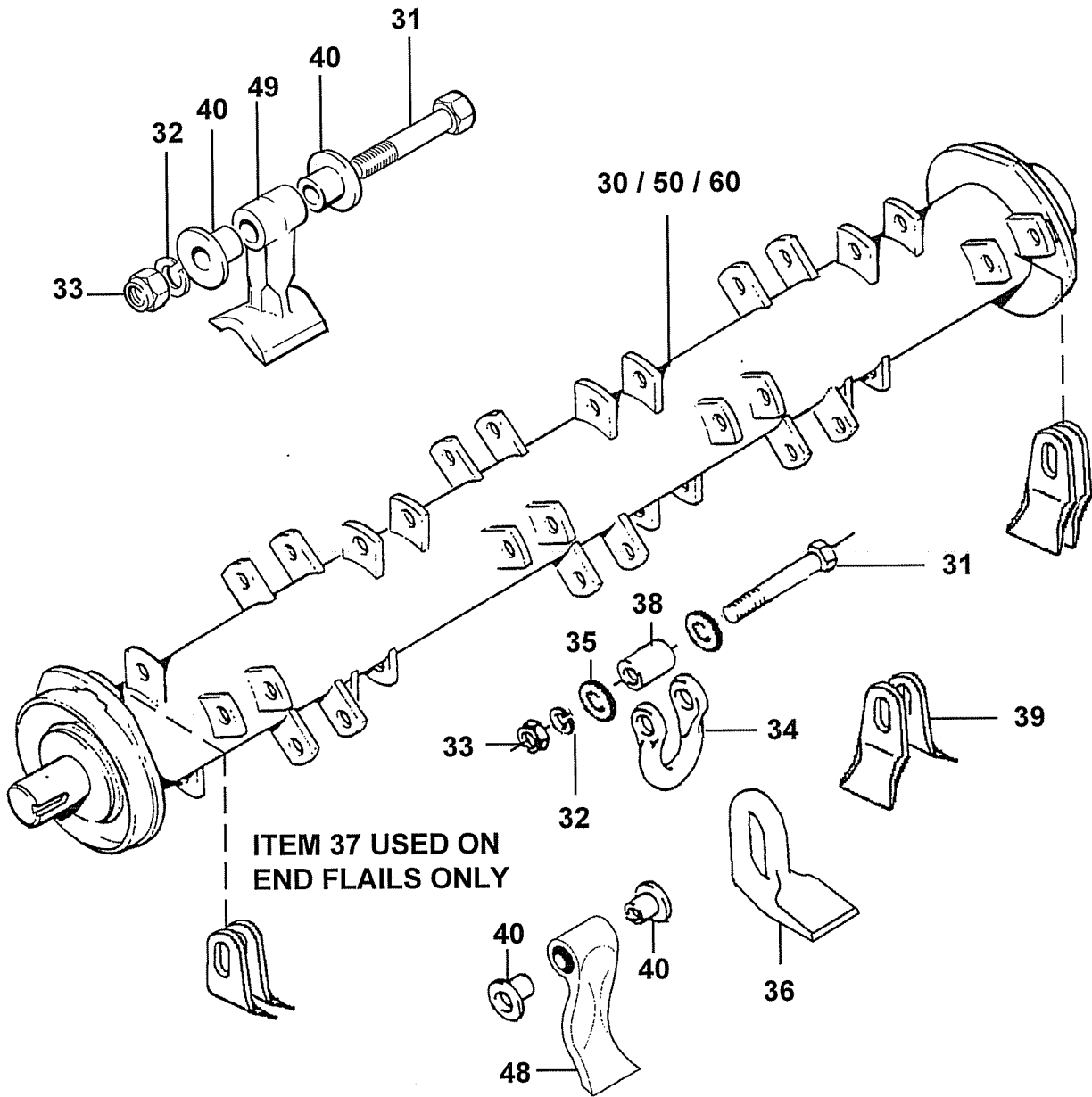
REF	PART NO.	DESCRIPTION	QTY
<b>STANDARD 1200, 1500, ISMP 76.285.01 &amp; 5 MOTOR 125L PULLEY &amp; BELT</b>			
01	01.071.13	KEY-SEP 1/4" X 1/4" X 1"	-
01	41903.01	SEAL KIT FOR 41903 MOTOR	-
*01	41903.02	GEAR MOTOR 125L	1
01	41905.02	DECAL - 125	1
02	05.290.06	BONDED SEAL 3/4"BSP	2
03	05.373.01	ADAPTOR 3/4"BSP X 1"BSP	2
04	07.833.01	PLATE - COVER	1
05	05.281.03	FLAT WASHER 12MM PLATED	2
05	05.282.03	SPRING WASHER 12MM PLATED	2
05	05.286.03	NUT M12 PLATED	2
05	05.625.12	SOCKET DOMED SCREW M12 X 35 PLT	2
*05	41893.01	PLATE - MOTOR MOUNTING GEAR	1
*06	04.282.56	STUD M10 X 37MM	2
06	05.282.02	SPRING WASHER 10MM PLATED	2
06	05.286.02	NUT M10 PLATED	2
07	05.299.36	V-BELT XPA 1060 QUAD POWER	3
08	03.795.01	PULLEY-VEE 160MM PCD X 3SPA	1
09	05.424.07	TAPER-LOCK 1"BORE (2517)	1
12	03.795.03	PULLEY-VEE 140MM PCD X 3SPA	1
<b>1200 &amp; 1500</b>			
10	05.424.18	TAPER LOCK 40MM (2517)	1
11	05.960.16	KEY-S/REP 12MM X 8MM X 40MM	1
<b>ISMP ONLY</b>			
13	05.424.17	TAPER-LOCK 45MM BORE (2517)	1
14	05.960.13	KEY-S/REP 14MM X 9MM X 45MM	1

\*MAIN PART IN GROUP, RELATED PARTS HAVE SAME REFERENCE NUMBER



REF	PART NO.	DESCRIPTION	QTY
<b>STANDARD 1200, 1500, ISMP</b>			
<b>76.285.04 &amp; 08 MOTOR PISTON PULLEY &amp; BELT</b>			
01	8301295	PISTON MOTOR-SIDE PORT	1
01	8699238	SEAL KIT FOR 8301295	-
02	8600916	O RING GASKET 1.5/16"UNF	2
03	08.955.25	ADAPTOR 1"BSP X 1.5/16"-12 JIC	2
04	42186.01	PLATE - COVER	1
05	05.281.03	FLAT WASHER 12MM PLATED	2
05	05.282.03	SPRING WASHER 12MM PLATED	2
05	05.286.03	NUT M12 PLATED	2
05	05.625.12	SOCKET DOMED SCREW M12 X 35 PLT	2
05	41894.01	PLATE - MOTOR MOUNTING PISTON	1
06	04.282.17	STUD M12 X 41MM	2
06	05.282.03	SPRING WASHER 12MM PLATED	2
06	05.286.03	NUT M12 PLATED	2
07	05.299.56	BELT XPA1140 QUAD POWER GATES	3
08	03.795.01	PULLEY-VEE 160MM PCD X 3SPA	1
09	05.424.02	TAPER-LOCK 1.1/8"BORE (2517)	1
12	03.795.03	PULLEY-VEE 140MM PCD X 3SPA	1
14	05.835.02	ADAPTOR-SWIVEL 90 1"BSP M/F	2
15	8600908	O RING GASKET 3/4"UNF	1
20	42739.01	ADAPTOR	1
21	03.195.01	ADAPTOR	1
22	05.290.04	BONDED WASHER	1
23	01.510.07	NUT	1
<b>1200 &amp; 1500</b>			
10	05.424.18	TAPER LOCK 40MM (2517)	1
11	05.960.16	KEY-S/REP 12MM X 8MM X 40MM	1
<b>ISMP ONLY</b>			
18	05.424.17	TAPER-LOCK 45MM BORE (2517)	1
19	05.960.13	KEY-S/REP 14MM X 9MM X 45MM	1

\*MAIN PART IN GROUP, RELATED PARTS HAVE SAME REFERENCE NUMBER

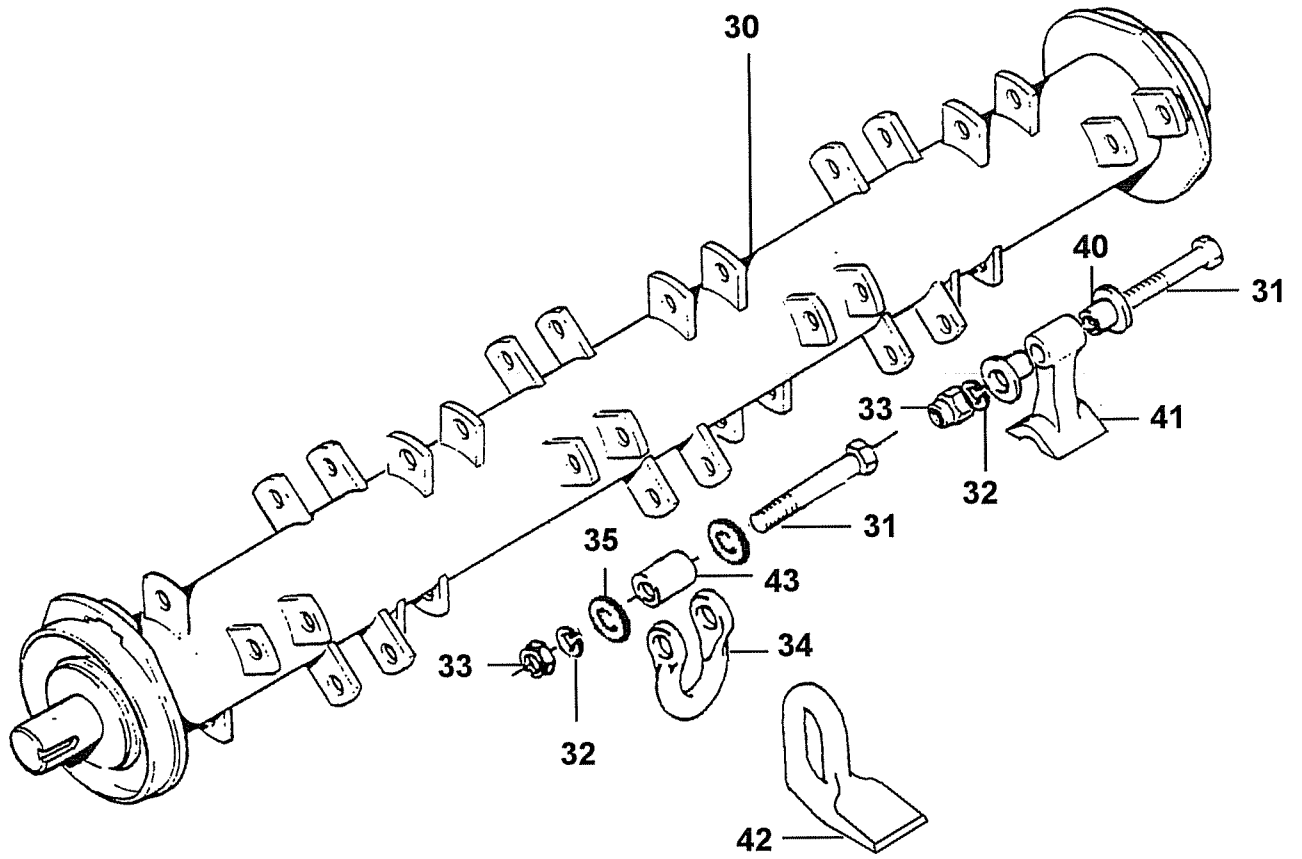


**END FLAILS TO BE FITTED AS SHOWN**



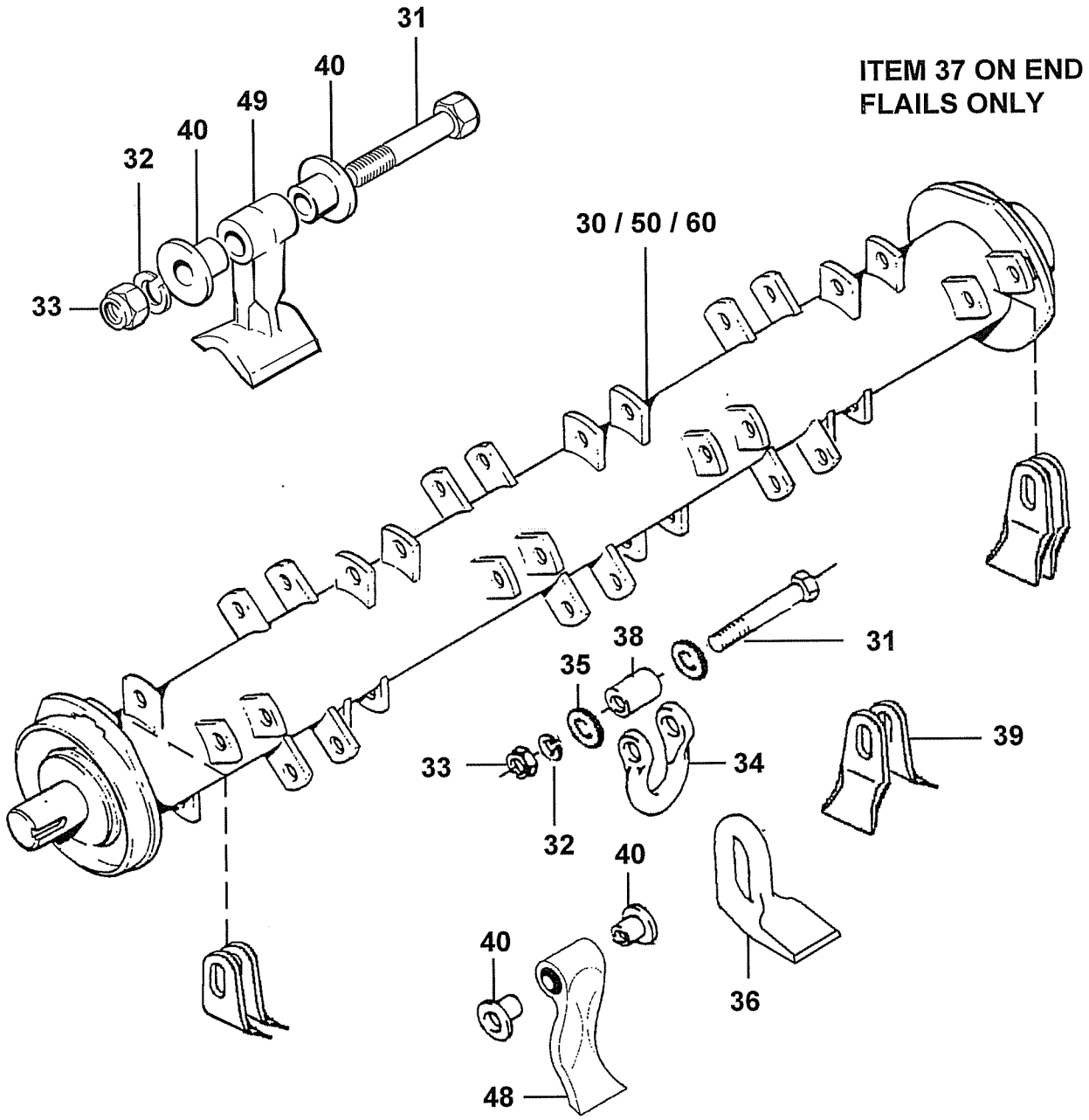
REF	PART NO.	DESCRIPTION	QTY
<b>76.287.03 ROTOR SHAFT 1200</b>			
30	41901.02	ROTOR SHAFT ASSEMBLY	1
31	05.775.10	BOLT - SPECIAL M14 X 94MM	32
32	05.282.08	SPRING WASHER 14MM PLATED	30
33	05.968.06	S.LOCKING NUT M14 (FINE) PLATE	32
34	05.895.01	SHACKLE-FORGED	32
35	05.281.01	FLAT WASHER 8MM PLATED	64
37	05.282.04	SPRING WASHER 16MM PLATED	2
38	02.807.01	SPACER 1"O/D X 16MM I/D X 27MM	32
39	41654.01	FLAIL - FLARED 51 X 8	64
<b>76.287.01 &amp; 04 ROTOR SHAFT 1200</b>			
30	41901.01	ROTOR SHAFT ASSEMBLY CLOCKWISE	1
30	41901.03	ROTOR SHAFT ASSEMBLY ANTICLOCKWISE	1
31	05.775.10	BOLT - SPECIAL M14 X 94MM	32
32	05.282.08	SPRING WASHER 14MM PLATED	30
33	05.968.06	S.LOCKING NUT M14 (FINE) PLATE	32
34	05.895.01	SHACKLE-FORGED	32
35	05.281.04	FLAT WASHER 16MM PLATED	64
36	02.959.01	FLAIL - FORGED	32
37	05.282.04	SPRING WASHER 16MM PLATED	2
38	02.807.01	SPACER 1"O/D X 16MM I/D X 27MM	32
<b>76.287.26 &amp; 27 ROTOR SHAFT 1200</b>			
31	05.775.10	BOLT - SPECIAL M14 X 94MM	32
32	05.282.08	SPRING WASHER 14MM PLATED	32
33	05.968.06	S.LOCKING NUT M14 (FINE) PLATE	32
37	05.282.04	SPRING WASHER 16MM PLATED	2
40	09.894.01	COLLAR-PIVOT	64
48	42155.01	FLAIL-SINGLE EDGE (PRO-FLAIL)	32
50	41901.04	ROTOR SHAFT ASSEMBLY CLOCKWISE	1
50	41901.05	ROTOR SHAFT ASSEMBLY ANTICLOCKWISE	1
<b>76.287.36 ROTOR SHAFT 1200</b>			
60	41901.06	ROTOR SH.ASSY 4190001/4271601	1
31	05.775.10	BOLT - SPECIAL M14 X 94MM	32
32	05.282.08	SPRING WASHER 14MM PLATED	30
33	05.968.06	S.LOCKING NUT M14 (FINE) PLATE	32
37	05.282.04	SPRING WASHER 16MM PLATED	2
40	09.894.01	COLLAR - PIVOT	64
49	42716.01	FLAIL - FORGED 44MM	32

\*MAIN PART IN GROUP, RELATED PARTS HAVE SAME REFERENCE NUMBER



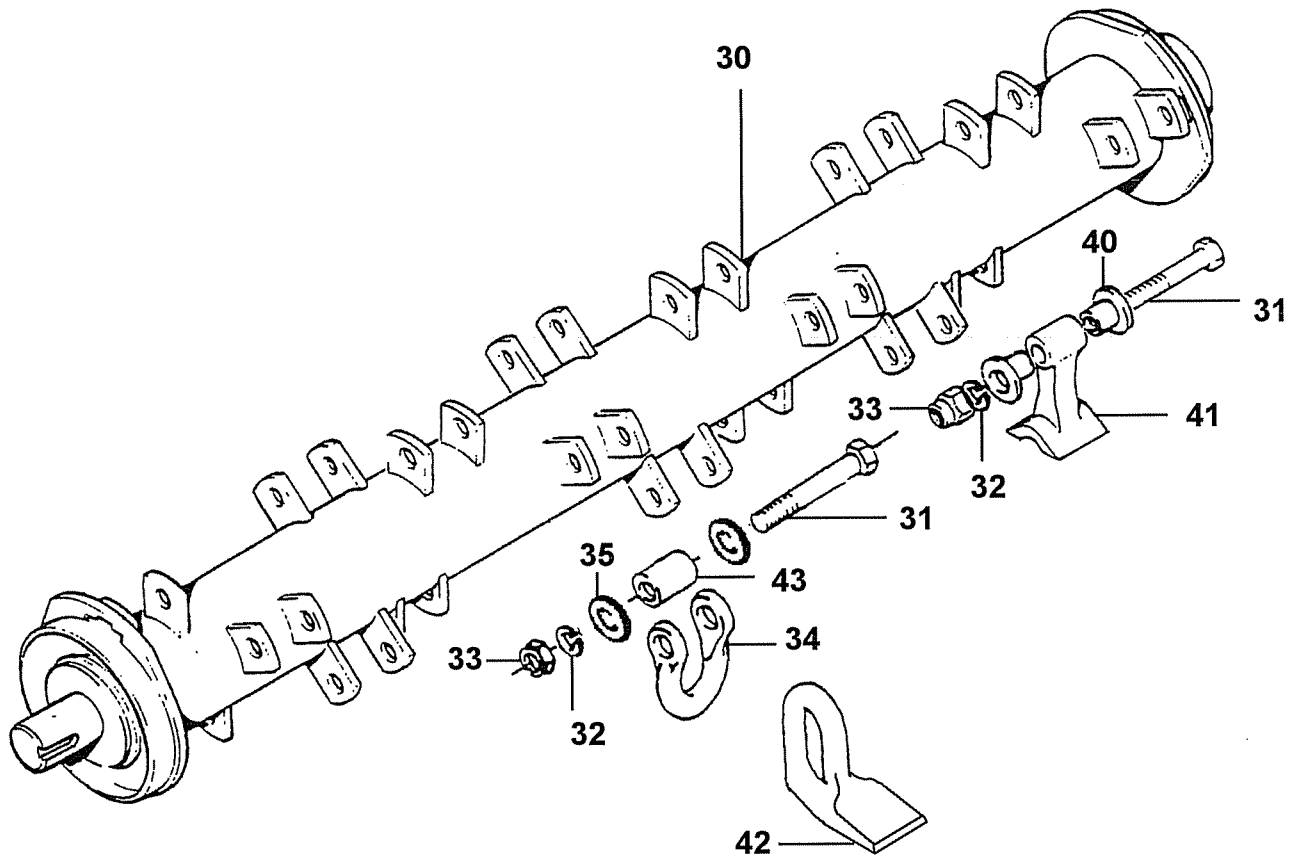
REF	PART NO.	DESCRIPTION	QTY
<b>76.287.05 ROTOR SHAFT 1200 TUB ASSY</b>			
30	42034.01	ROTOR SHAFT ASSEMBLY	1
31	05.775.10	BOLT - SPECIAL M14 X 94MM	24
32	05.282.08	SPRING WASHER 14MM PLATED	24
33	05.968.06	S.LOCKING NUT M14 (FINE) PLATE	24
40	09.894.01	COLLAR - PIVOT	48
41	09.905.01	FLAIL - FORGED 62MM	24
43	02.807.01	SPACER	24
<b>76.287.06 &amp; 07 ROTOR SHAFT 1200 TUB ASSY</b>			
*30	42034.02	ROTOR SHAFT ASSEMBLY CLOCKWISE	1
30	42034.03	ROTOR SHAFT ASSEMBLY ANTICLOCKWISE	1
31	05.775.10	BOLT - SPECIAL M14 X 94MM	24
32	05.282.08	SPRING WASHER 14MM PLATED	24
33	05.968.06	S.LOCKING NUT M14 (FINE) PLATE	24
34	05.895.01	SHACKLE-FORGED	24
35	05.281.04	FLAT WASHER 16MM PLATED	48
42	09.902.01	FLAIL - FORGED 58MM	24

\*MAIN PART IN GROUP, RELATED PARTS HAVE SAME REFERENCE NUMBER



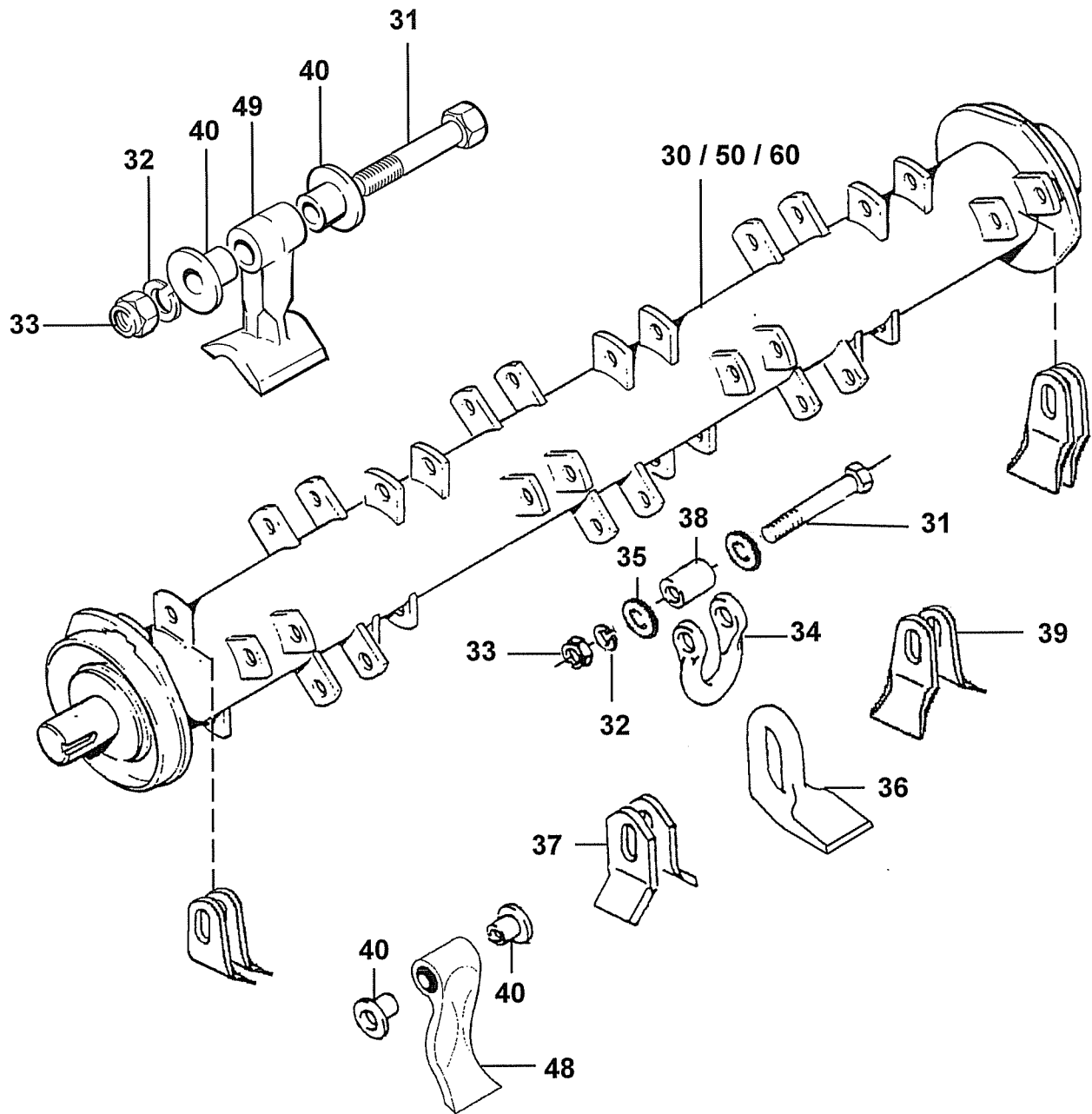
REF	PART NO.	DESCRIPTION	QTY
<b>76.287.09 ROTOR SHAFT 1500</b>			
30	41957.03	ROTOR SHAFT ASSEMBLY	1
31	05.775.10	BOLT - SPECIAL M14 X 94MM	40
32	05.282.08	SPRING WASHER 14MM PLATED	38
33	05.968.06	S.LOCKING NUT M14 (FINE) PLATE	40
34	05.895.01	SHACKLE-FORGED	40
35	05.281.04	FLAT WASHER 16MM PLATED	80
37	05.282.04	SPRING WASHER 16MM PLATED	2
38	02.807.01	SPACER 1"O/D X 16MM I/D X 27MM	40
39	41654.01	FLAIL - FLARED 51 X 8	80
<b>76.287.02 &amp; 08 ROTOR SHAFT 1500</b>			
30	41957.01	ROTOR SHAFT ASSEMBLY CLOCKWISE	1
30	41957.02	ROTOR SHAFT ASSEMBLY ANTICLOCKWISE	1
31	05.775.10	BOLT - SPECIAL M14 X 94MM	40
32	05.282.08	SPRING WASHER 14MM PLATED	38
33	05.968.06	S.LOCKING NUT M14 (FINE) PLATE	40
34	05.895.01	SHACKLE-FORGED	40
35	05.281.04	FLAT WASHER 16MM PLATED	80
36	02.959.01	FLAIL - FORGED	40
37	05.282.04	SPRING WASHER 16MM PLATED	2
38	02.807.01	SPACER 1"O/D X 16MM I/D X 27MM	40
<b>76.287.28 &amp; 29 ROTOR SHAFT 1500</b>			
31	05.775.10	BOLT - SPECIAL M14 X 94MM	40
32	05.282.08	SPRING WASHER 14MM PLATED	38
33	05.968.06	S.LOCKING NUT M14 (FINE) PLATE	40
37	05.282.04	SPRING WASHER 16MM PLATED	2
40	09.894.01	COLLAR-PIVOT	80
48	42155.01	FLAIL-SINGLE EDGE (PRO-FLAIL)	40
50	41957.07	ROTOR SHAFT ASSEMBLY CLOCKWISE	1
50	41957.08	ROTOR SHAFT ASSEMBLY ANTICLOCKWISE	1
<b>76.287.37 ROTOR SHAFT 1500</b>			
60	41957.09	ROTOR SH.ASSY 4194401/4271601	1
31	05.775.10	BOLT - SPECIAL M14 X 94MM	40
32	05.282.08	SPRING WASHER 14MM PLATED	38
33	05.968.06	S.LOCKING NUT M14 (FINE) PLATE	40
37	05.282.04	SPRING WASHER 16MM PLATED	2
40	09.894.01	COLLAR - PIVOT	80
49	42716.01	FLAIL - FORGED 44MM	40

\*MAIN PART IN GROUP, RELATED PARTS HAVE SAME REFERENCE NUMBER



REF	PART NO.	DESCRIPTION	QTY
<b>76.287.10, 76.287.11 ROTOR SHAFT 1500 TUB ASSY</b>			
*30	41957.04	ROTOR SHAFT ASSEMBLY CLOCKWISE	1
30	41957.05	ROTOR SHAFT ASSEMBLY ANTICLOCKWISE	1
31	05.775.10	BOLT - SPECIAL M14 X 94MM	30
32	05.282.08	SPRING WASHER 14MM PLATED	30
33	05.968.06	S.LOCKING NUT M14 (FINE) PLATE	30
34	05.895.01	SHACKLE-FORGED	30
35	05.281.04	FLAT WASHER 16MM PLATED	60
42	09.902.01	FLAIL - FORGED 58MM	30
43	02.807.01	SPACER	30
<b>76.287.12 ROTOR SHAFT 1500 TUB ASSY</b>			
30	41957.06	ROTOR SHAFT ASSEMBLY	1
31	05.775.10	BOLT - SPECIAL M14 X 94MM	30
32	05.282.08	SPRING WASHER 14MM PLATED	30
33	05.968.06	S.LOCKING NUT M14 (FINE) PLATE	30
40	09.894.01	COLLAR - PIVOT	60
41	09.905.01	FLAIL - FORGED 62MM	30

\*MAIN PART IN GROUP, RELATED PARTS HAVE SAME REFERENCE NUMBER



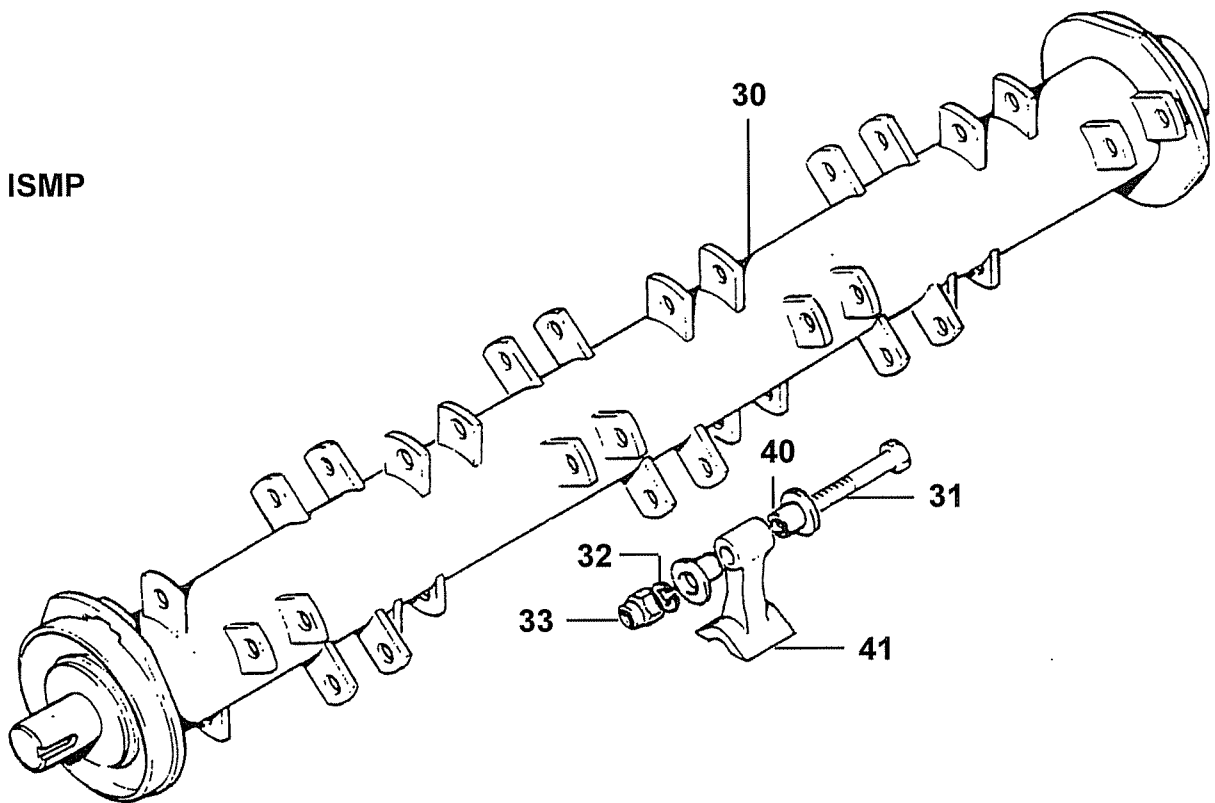
END FLAILS TO BE FITTED AS SHOWN



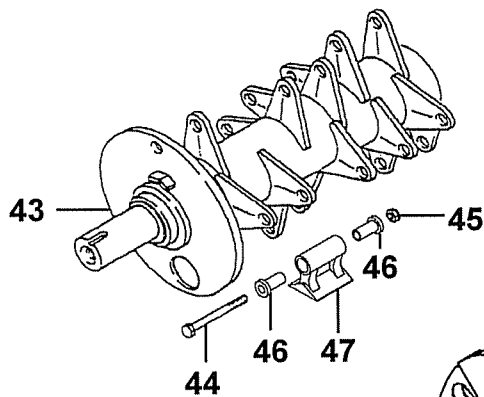
REF	PART NO.	DESCRIPTION	QTY
<b>76.287.15 ROTOR SHAFT 1200 ISMP</b>			
30	41958.03	ROTOR SHAFT ASSEMBLY	1
31	05.775.10	BOLT - SPECIAL M14 X 94MM	32
32	05.282.08	SPRING WASHER 14MM PLATED	32
33	05.968.06	S.LOCKING NUT M14 (FINE) PLATE	32
34	05.895.01	SHACKLE-FORGED	32
35	05.281.04	FLAT WASHER 16MM PLATED	64
38	02.807.01	SPACER 1"O/D X 16MM I/D X 27MM	32
39	41654.01	FLAIL - FLARED 51 X 8	64
<b>76.287.16 ROTOR SHAFT 1200 ISMP</b>			
30	41958.04	ROTOR SHAFT ASSEMBLY	1
31	05.775.10	BOLT - SPECIAL M14 X 94MM	32
32	05.282.08	SPRING WASHER 14MM PLATED	32
33	05.968.06	S.LOCKING NUT M14 (FINE) PLATE	32
34	05.895.01	SHACKLE-FORGED	32
35	05.281.04	FLAT WASHER 16MM PLATED	32
37	7190166	FLAIL 40 X 6	64
38	02.807.01	SPACER 1"O/D X 16MM I/D X 27MM	32
<b>76.287.13 &amp; 14 ROTOR SHAFT 1200 ISMP</b>			
30	41958.01	ROTOR SHAFT ASSEMBLY CLOCKWISE	1
30	41958.02	ROTOR SHAFT ASSEMBLY ANTICLOCKWISE	1
31	05.775.10	BOLT - SPECIAL M14 X 94MM	32
32	05.282.08	SPRING WASHER 14MM PLATED	32
33	05.968.06	S.LOCKING NUT M14 (FINE) PLATE	32
34	05.895.01	SHACKLE-FORGED	32
35	05.281.04	FLAT WASHER 16MM PLATED	64
36	02.959.01	FLAIL - FORGED	32
38	02.807.01	SPACER 1"O/D X 16MM I/D X 27MM	32
<b>76.287.30 &amp; 31 ROTOR SHAFT 1200 ISMP</b>			
31	05.775.10	BOLT - SPECIAL M14 X 94MM	32
32	05.282.08	SPRING WASHER 14MM PLATED	32
33	05.968.06	S.LOCKING NUT M14 (FINE) PLATE	32
40	09.894.01	COLLAR-PIVOT	64
48	42155.01	FLAIL-SINGLE EDGE (PRO-FLAIL)	32
50	41958.05	ROTOR SHAFT ASSEMBLY CLOCKWISE	1
50	41958.06	ROTOR SHAFT ASSEMBLY ANTICLOCKWISE	1
<b>76.287.38 ROTOR SHAFT ISMP</b>			
60	41958.07	ROTOR SH.ASSY 4195601/4271601	1
31	05.775.10	BOLT - SPECIAL M14 X 94MM	32
32	05.282.08	SPRING WASHER 14MM PLATED	32
33	05.968.06	S.LOCKING NUT M14 (FINE) PLATE	32
40	09.894.01	COLLAR - PIVOT	64
49	42716.01	FLAIL - FORGED 44MM	32

\*MAIN PART IN GROUP, RELATED PARTS HAVE SAME REFERENCE NUMBER

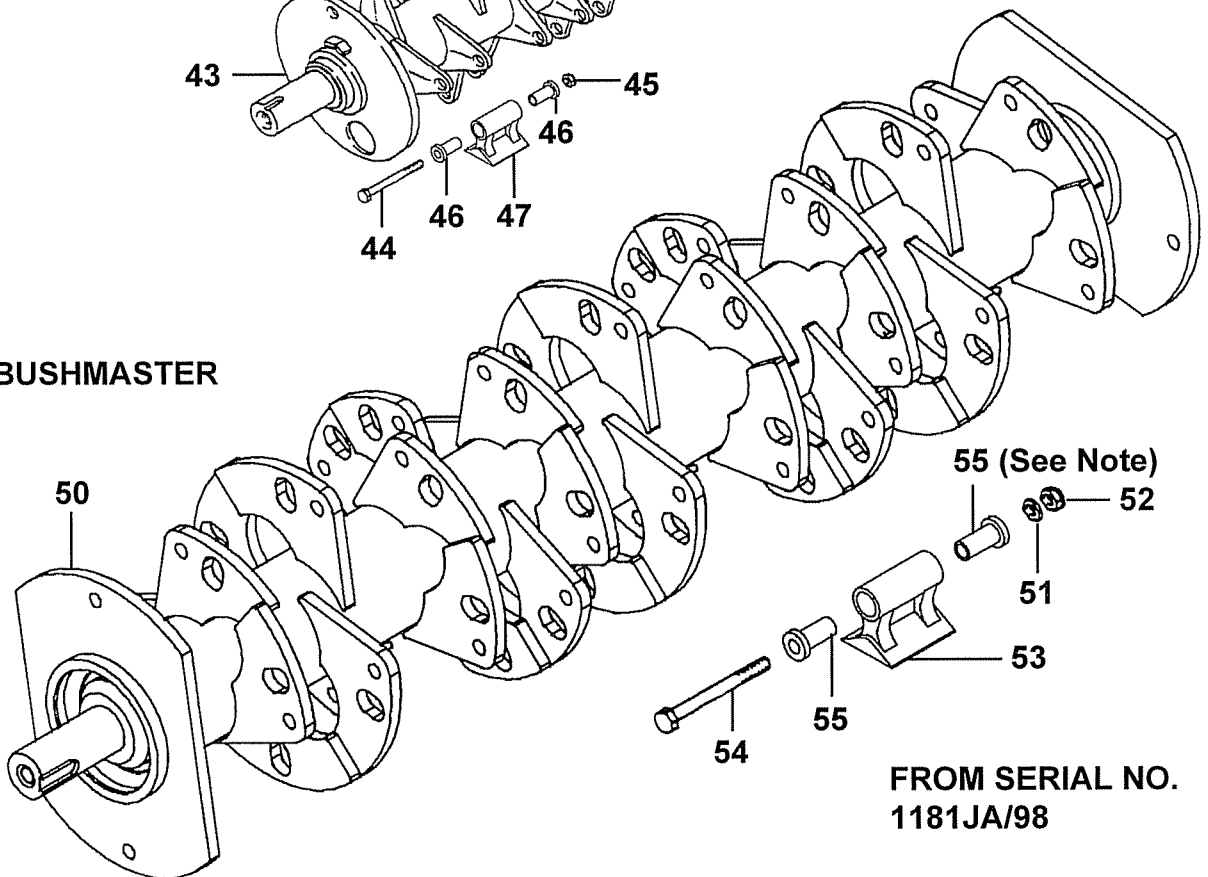
ISMP



UP TO SERIAL NO.  
3723HA/97



BUSHMASTER



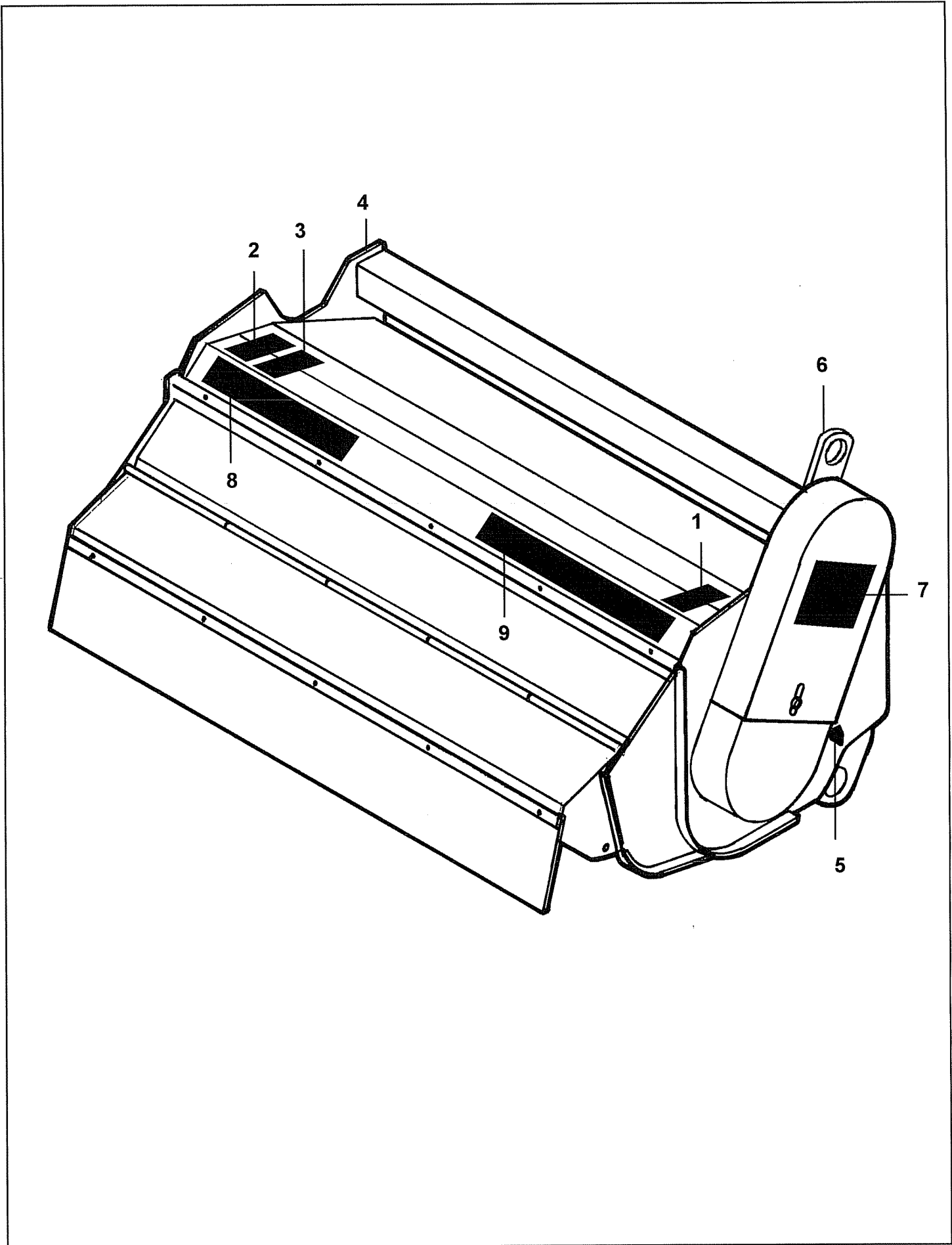
FROM SERIAL NO.  
1181JA/98

REF	PART NO.	DESCRIPTION	QTY
<b>76.287.18 ROTOR SHAFT 1200 ISMP ASSY</b>			
30	42034.04	ROTOR SHAFT ASSEMBLY	1
31	05.775.10	BOLT - SPECIAL M14 X 94MM	24
32	05.282.08	SPRING WASHER 14MM PLATED	24
33	05.968.06	S.LOCKING NUT M14 (FINE) PLATE	24
40	09.894.01	COLLAR - PIVOT	48
41	09.905.01	FLAIL - FORGED 62MM	24
<b>76.287.17 ROTOR SHAFT 1200 ISMP BUSH (UP TO SERIAL NO. 3723HA/97)</b>			
43	41984.01	ROTOR SHAFT ASSEMBLY	1
44	05.411.01	BOLT-1/2"UNF X 4.7/8"	24
45	05.295.04	S.LOCKING NUT 1/2"UNF PLATED	24
46	03.437.01	COLLAR 30 O/D X 45	48
47	42594.02	FLAIL - FORGED	24
<b>76.287.34 ROTOR SHAFT 1200 ISMP BUSH (FROM SERIAL NO. 1181JA/98)</b>			
50	41530.01	ROTOR SHAFT ASSEMBLY	1
51	05.282.08	SPRING WASHER 14MM PLATED	24
52	05.968.06	S.LOCKING NUT M14 (FINE) PLATE	24
53	42594.01	FLAIL - FORGED	24
54	05.775.13	BOLT - SPECIAL M14 X 140MM	24
55	42598.01	COLLAR - PIVOT	48

**NOTE**

***For heads, Serial Nos. 3724HA/97 to 1180JA/98 fitted with flails 03.958.01 and 42594.02, pivot collar 42531.01 is required.***

\*MAIN PART IN GROUP, RELATED PARTS HAVE SAME REFERENCE NUMBER



---

REF	PART NO.	DESCRIPTION	QTY
<b>72.855.03 DECALS - HEAD</b>			
01	09.821.04	DECAL - DANGER THROWN DEBRIS	1
02	09.821.05	DECAL - CUTTING HEAD DANGER	1
03	09.821.08	DECAL - SAFEWORKING ON HEAD	1
04	09.821.10	DECAL - KEEP NUTS TIGHT	1
05	09.810.02	DECAL-GREASE (40 HOURS)	4
06	09.843.02	DECAL - LIFT POINT 350 KG	2
07	41.054.01	DECAL - HEAD GUARDING	1
08	09.837.01	DECAL - BOMFORD	1
09	41582.03	DECAL - TRIM-KING	1