

PM1953

# **TRI-WING**

## **6000**

FLEX WING MOWERS

PARTS MANUAL

ISSUE 1

**IMPORTANT**

NOTE HERE THE SERIAL NUMBER OF YOUR MACHINE AND ALWAYS QUOTE IT IN ANY COMMUNICATION WITH US OR YOUR DEALER. THIS IS PARTICULARLY IMPORTANT WHEN ORDERING SPARES. REMEMBER TO INCLUDE ALL NUMBERS AND LETTERS.

MACHINE SERIAL NUMBERS \_\_\_\_\_

THE INFORMATION GIVEN THROUGHOUT THIS MANUAL IS CORRECT AT THE TIME OF PUBLICATION. HOWEVER, IN THE COURSE OF CONSTANT DEVELOPMENT OF BOMFORD TURNER MACHINES, CHANGES IN SPECIFICATION ARE INEVITABLE. SHOULD YOU FIND THE INFORMATION GIVEN IN THIS BOOK TO BE AT VARIANCE WITH THE MACHINE IN YOUR POSSESSION, YOU ARE ADVISED TO CONTACT THE BOMFORD TURNER SERVICE DEPARTMENT WHERE UP-TO-DATE INFORMATION WILL BE PROVIDED.

THE MANUAL CAN CONTAIN STANDARD AND OPTIONAL FEATURES AND IS NOT TO BE USED AS A MACHINE SPECIFICATION. THE MACHINE HAS BEEN TESTED AND IS CONSIDERED SAFE IF CAREFULLY USED. ENSURE YOUR OPERATOR IS PROPERLY TRAINED IN ITS USE AND MAINTENANCE.

---

**IMPORTANT**

NOTEZ ICI LES NUMEROS DE SERIE DE VOTRE MACHINE ET MENTIONNEZ LES DANS TOUTE COMMUNICATION AVEC NOS SERVICES OU VOTRE REVENDEUR. CECI EST IMPORTANT POUR LA COMMANDE DE PIECES DETACHEES. PENSEZ A NOTER TOUS LES NUMEROS ET TOUTES LES LETTERS.

NUMEROS DE SERIE DE LA MACHINE \_\_\_\_\_

LES INFORMATIONS DONNEES DANS CE MANUEL SONT CORRECTES CEPENDANT, DU FAIT DE DEVELOPPEMENT CONSTANT DES MACHINES BOMFORD TURNER.

CHANGEMENTS DANS LES CARACTERISTIQUES SONT INEVITABLES.

SI VOUS TROUVEZ QUE LES INFORMATIONS DONNEES NE CORRESPONDENT PAS A VOTRE MACHINE VEUILLEZ CONTACTER LE SERVICE DES REPARATIONS OU DES INFORMATIONS PLUS RECENTES VOUS SERONT DONNEES.

CE MANUEL PEUT MONTRER DES CARACTERISTIQUES OPTIONNELLES ET NE PEUT PAS ETRE CONSIDERE COMME SPECIFICATION DE LA MACHINE.

CETTE MACHINE A ETE TESTEE, ET ELLE EST CONSIDEREE COMME FIABLE A CONDITION D'UNE BONNE UTILISATION. ASSUREZ-VOUS QUE VOTRE OPERATEUR EST QUALIFIE EN CE QUI CONCERNE L'UTILISATION DE LA MACHINE AINSI QUE SON ENTRETIEN.

---

**WICHTIG**

TRAGEN SIE HIER DIE SERIENNUMMERN IHRER MASCHINE EIN UND GEBEN SIE DIESE IMMER AN, WENN SIE SICH AN UNS ODER IHREN HÄNDLER WENDEN. DAS IST BESONDERS BEI ERSATZTEILBESTELLUNGEN WICHTIG. VERGESSEN SIE NICHT, ALLE ZAHLEN UND BUCHSTABEN ZU NOTIEREN.

SERIENNUMMERN DER MASCHINE \_\_\_\_\_

DIE ANGABEN INDIESEM HANDBUCH SIND BEI VERÖFFENTLICHUNG KORREKT. AUFGRUND DER KONSTANTEN WEITERENTWICKLUNG VON BOMFORD TURNER MASCHINEN SIND JEDOCHÄNDERUGDEN IN DER SPEZIFIKATION UNVERMEIDLICH. WENN DIE INFORMATION IN DIESEM HANDBUCH NICHT MIT IHRER MASCHINE ÜBEREINSTIMMEN, NEHMEN SIE BITTE KONTAKT MIT DER BOMFORD TURNER KUNDENDIENSTABTEILUNG AUF, DIE IHNEN GERNE DIE AKTUELLEN INFORMATION ZUKOMMEN LÄSST.

DAS HANDBUCH KANN SOWOHL BESCHREIBUNGEN FÜR DIE STANDARD AUSFÜHRUNG ALS AUCH FÜR ZUBEHÖR ENTHALTEN UND IST NICHT ALS MASCHINENSPEZIFIKATION ZU VERWENDET.

DIE MASCHINE IST GETESTET UND BEI SACHGEMÄSSEM BETRIEB ALS SICHER BEFUNDEN WORDEN. SORGEN SIE DAFÜR, DASS IHR BEDIENPERSONAL IN ANWENDUNG UND WARTUNG RICHTIG GESCHULT WIRD.

---

## List of Contents

Page No.

### Main Frame Components

|   |    |
|---|----|
| Standard Hitch Assembly                       | 4  |
| High Hitch Assembly                           | 6  |
| Centre Deck & Wings Assembly                  | 8  |
| Chain Guards Assembly                         | 10 |
| Axles, Wheels & Hubs Assembly                 | 12 |
| 8 Wheel Conversion Kit                        | 14 |
| Levelling Assembly – <i>High Hitch Models</i> | 16 |
| Blades & Pan Assembly                         | 18 |

### Gearbox & Driveline Components

|  |    |
|--|----|
| Gearboxes & Driveshafts – <i>Layout &amp; Rotation</i> | 20 |
| Driveline Guards Assembly                              | 22 |
| Divider Gearbox Assembly                               | 24 |
| Centre Gearbox Assembly                                | 26 |
| Left Hand Wing Gearbox Assembly                        | 28 |
| Right Hand Wing Gearbox Assembly                       | 30 |
| Driveshaft Assembly - <i>Centre Gearbox</i>            | 32 |
| Driveshaft Assembly - <i>Wing Gearboxes</i>            | 33 |
| Slip Clutch Assembly                                   | 34 |

### Hydraulic System Components

|                        |    |
|------------------------|----|
| Hydraulic Installation | 35 |
| Axle Ram Assembly      | 36 |
| Wing Ram Assembly      | 38 |

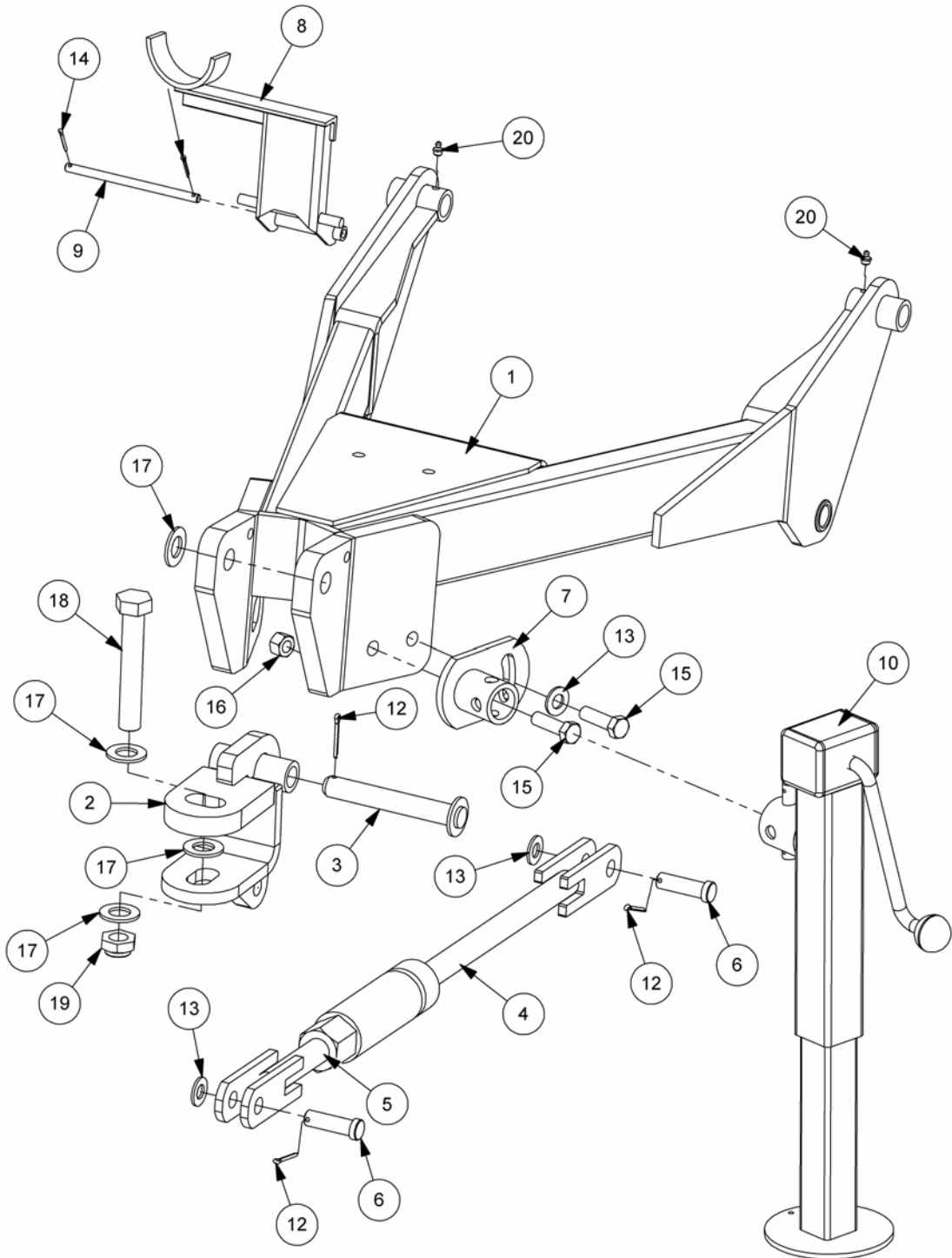
### Lighting & Decals

|                   |    |
|-------------------|----|
| Lightbar Assembly | 40 |
| Machine Decals    | 42 |

Tri-Wing 6000

## STANDARD HITCH ASSEMBLY

Module:  
1058712





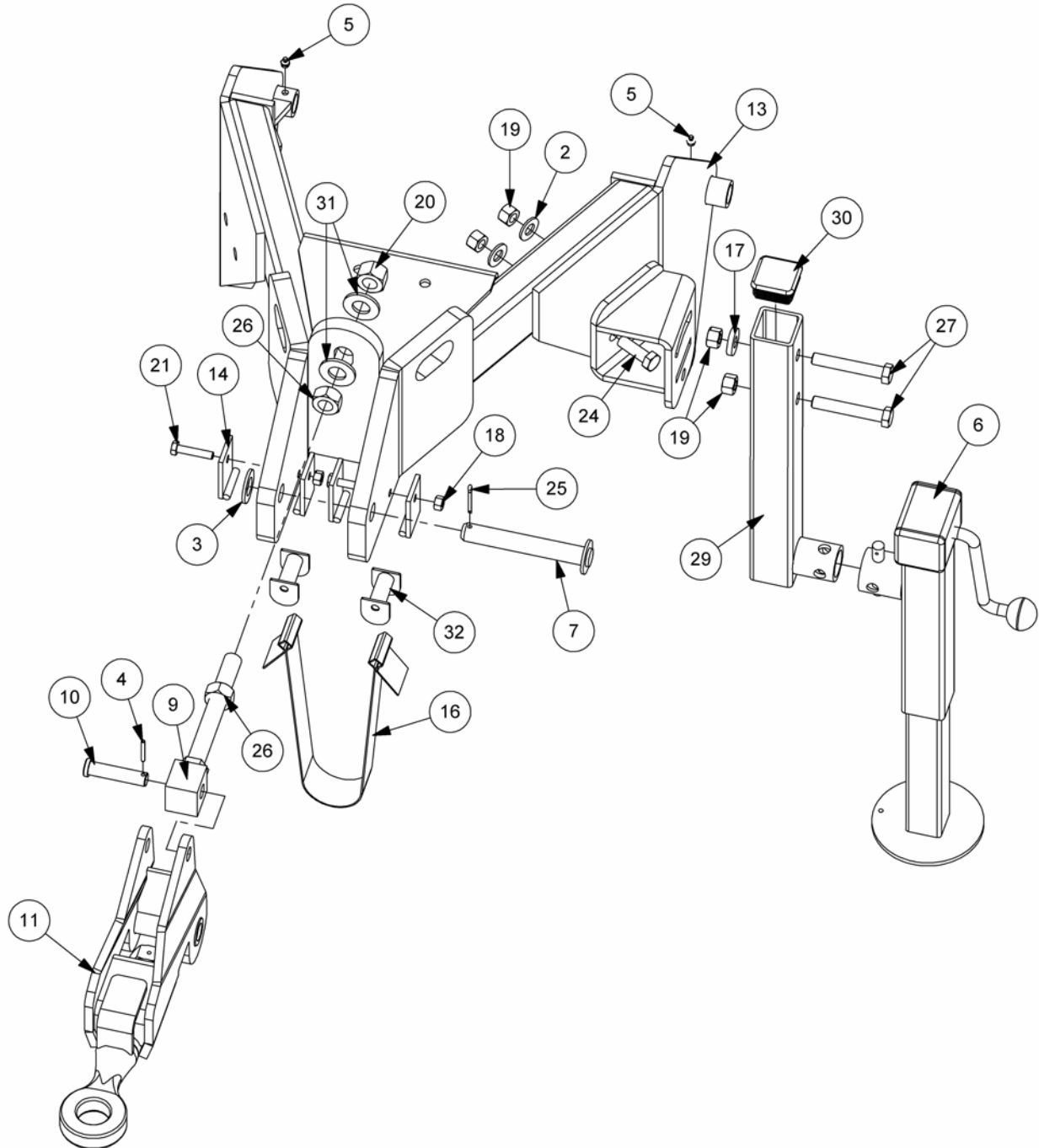
Tri-Wing 6000

## STANDARD HITCH ASSEMBLY

| REF. | QTY. | PART No.       | DESCRIPTION                           |
|------|------|----------------|---------------------------------------|
|      |      | <b>1058712</b> | <b>STANDARD HITCH ASSEMBLY</b>        |
| 1    | 1    | 21878.01       | STANDARD HITCH TONGUE                 |
| 2    | 1    | 45945.01       | CLEVIS                                |
| 3    | 1    | 21846.01       | HITCH PIN                             |
| 4    | 1    | 45232.11       | LONG CONTROL ROD                      |
| 5    | 1    | 45232.12       | CONTROL ROD                           |
| 6    | 2    | 45213.02       | PIN - PINTLE ROD REAR                 |
| 7    | 1    | 45186.01       | JACK TUBE MOUNT                       |
| 8    | 1    | 21182.20       | PTO SUPPORT                           |
| 9    | 1    | 21182.40       | PIVOT BAR                             |
| 10   | 1    | 1048060        | JACK                                  |
| 11   | 1    | 00764515       | SAFETY CHAIN <i>(not illustrated)</i> |
| 12   | 3    | 05.284.14      | SPLIT PIN                             |
| 13   | 3    | 0100106        | FLAT WASHER                           |
| 14   | 2    | 9501255        | SPLIT PIN                             |
| 15   | 2    | 05.291.36      | BOLT                                  |
| 16   | 2    | 05.287.04      | SELF-LOCKING NUT                      |
| 17   | 4    | 0100109        | FLAT WASHER - PLATED                  |
| 18   | 1    | 0211489        | BOLT                                  |
| 19   | 1    | 0141009        | CLEVELOC NUT                          |
| 20   | 2    | 01.070.04      | GREASE NIPPLE                         |

## Tri-Wing 6000 HIGH HITCH ASSEMBLY

Module:  
1058711



Tri-Wing 6000

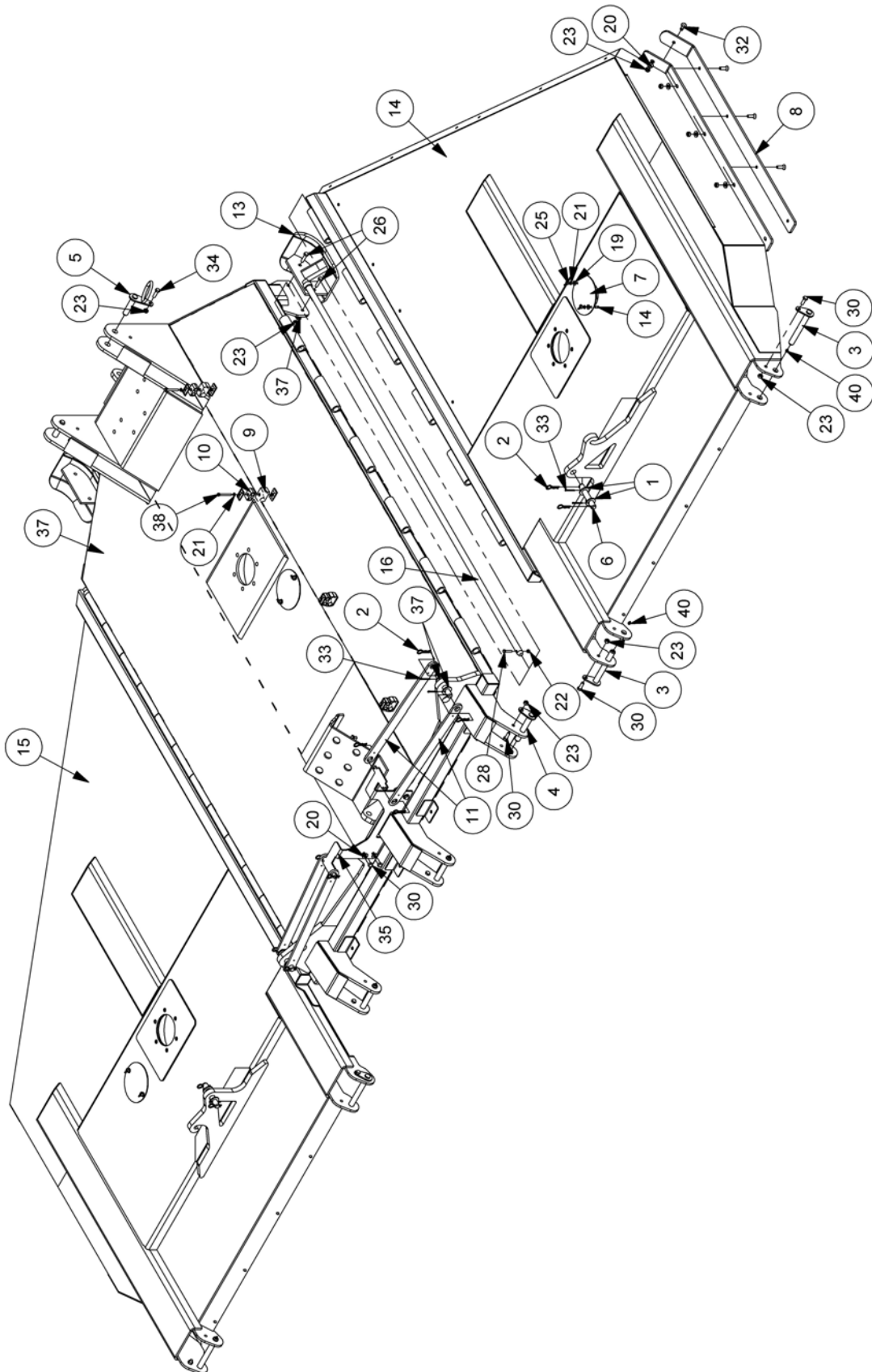
**HIGH HITCH ASSEMBLY**

| REF. | QTY. | PART No.       | DESCRIPTION                           |
|------|------|----------------|---------------------------------------|
|      |      | <b>1058711</b> | <b>HIGH HITCH ASSEMBLY</b>            |
| 1    | 1    | 00764515       | SAFETY CHAIN <i>(not illustrated)</i> |
| 2    | 2    | 0100106        | FLAT WASHER                           |
| 3    | 1    | 0100109        | FLAT WASHER                           |
| 4    | 1    | 0425540        | SPRING DOWEL                          |
| 5    | 2    | 01.070.04      | GREASE NIPPLE                         |
| 6    | 1    | 1048060        | JACK                                  |
| 7    | 1    | 21846.01       | HITCH PIN                             |
| 9    | 1    | 45203.03       | ADJUSTER ROD                          |
| 10   | 1    | 45213.01       | PIN - LEVEL ROD                       |
| 11   | 1    | 45235.03       | SMALL PINTLE EYE HITCH                |
| 13   | 1    | 45830.02       | HIGH HITCH TONGUE                     |
| 14   | 4    | 45830.21       | CLEAT                                 |
| 16   | 1    | 45830.46       | STRAP                                 |
| 17   | 1    | 7390005        | SPACER                                |
| 18   | 2    | 05.287.02      | SELF-LOCKING NUT                      |
| 19   | 4    | 9143007        | SELF-LOCKING NUT                      |
| 20   | 1    | 05.287.06      | SELF-LOCKING NUT                      |
| 21   | 2    | 05.291.15      | BOLT                                  |
| 24   | 2    | 05.291.14      | SETSCREW                              |
| 25   | 1    | 05.284.14      | SPLIT PIN                             |
| 26   | 2    | 05.286.06      | NUT                                   |
| 27   | 2    | 05.292.33      | BOLT                                  |
| 28   | 1    | 21868.01       | JACK ARM MOUNTING BRACKET             |
| 29   | 1    | 21869.01       | JACK MOUNTING ARM                     |
| 30   | 1    | 7191108        | PLASTIC PLUG                          |
| 31   | 2    | 9100109        | FLAT WASHER                           |
| 32   | 2    | 21870.01       | STRAP CLAMP                           |

Tri-Wing 6000

## CENTRE DECK & WINGS

Module:  
1058704





Tri-Wing 6000

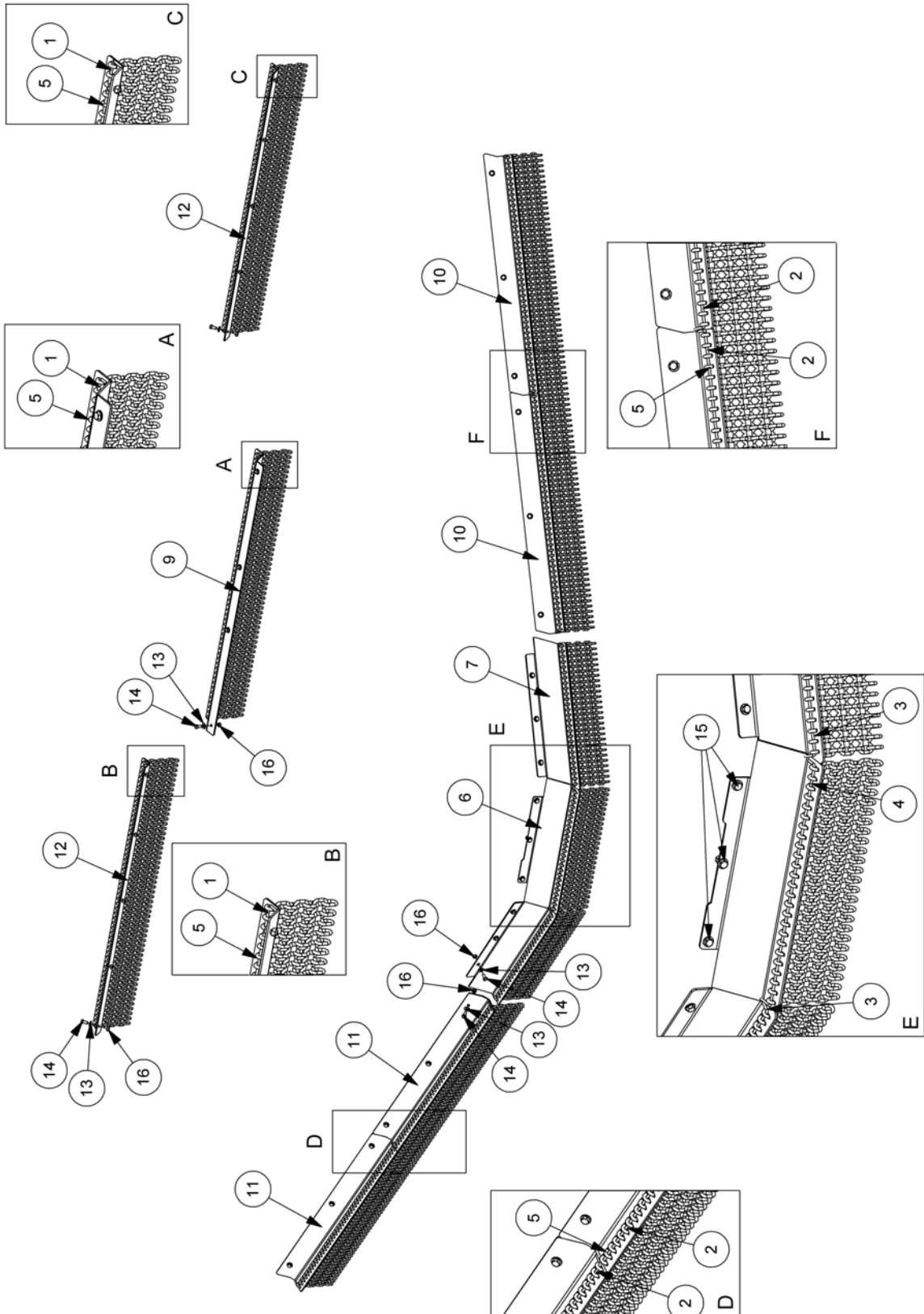
## CENTRE DECK & WINGS

| REF. | QTY. | PART No.       | DESCRIPTION                             |
|------|------|----------------|---|
|      |      | <b>1058704</b> | <b>CENTRE DECK &amp; WINGS ASSEMBLY</b> |
| 1    | 8    | 0100109        | FLAT WASHER                             |
| 2    | 12   | 0431105        | SPRING COTTER                           |
| 3    | 4    | 21820.01       | PIN - AXLE PIVOT                        |
| 4    | 3    | 21820.02       | PIN - AXLE PIVOT                        |
| 5    | 1    | 21822.01       | PIN - HITCH                             |
| 6    | 4    | 21830.01       | PIN - RAM                               |
| 7    | 3    | 21833.01       | COVER                                   |
| 8    | 2    | 21834.01       | WINGTIP SKID                            |
| 9    | 4    | 3020969        | PIPE CLAMP                              |
| 10   | 4    | 42024.09       | TWIN CLAMP                              |
| 11   | 4    | 45201.01       | TRANSPORT BAR                           |
| 12   | 1    | 45239.01       | SKID SHOE - L/H                         |
| 13   | 1    | 45239.02       | SKID SHOE - R/H                         |
| 14   | 1    | 47069.02       | WING - R/H                              |
| 15   | 1    | 47069.03       | WING - L/H                              |
| 16   | 2    | 47069.14       | HINGE PIN                               |
| 18   | 4    | 7193066        | CLAMP PLATE                             |
| 19   | 6    | 05.281.01      | FLAT WASHER                             |
| 20   | 18   | 05.281.03      | FLAT WASHER                             |
| 21   | 10   | 05.282.01      | SPRING WASHER                           |
| 22   | 2    | 05.287.01      | SELF-LOCKING NUT                        |
| 23   | 27   | 05.287.03      | SELF-LOCKING NUT                        |
| 25   | 6    | 05.948.07      | WING NUT                                |
| 26   | 4    | 05.291.24      | BOLT                                    |
| 28   | 2    | 05.291.23      | SETSCREW                                |
| 30   | 11   | 05.264.24      | SETSCREW                                |
| 32   | 10   | 9353086        | CAPSCREW                                |
| 33   | 8    | 05.284.14      | SPLIT PIN                               |
| 34   | 2    | 05.291.03      | SETSCREW                                |
| 35   | 1    | 21877.01       | PACKING STRAP MOUNTING BRACKET          |
| 37   | 1    | 21838.01       | CENTRE DECK                             |
| 38   | 4    | 9213144        | BOLT                                    |
| 39   | 1    | 21822.02       | PIN - HITCH                             |
| 40   | 7    | 01.070.04      | GREASE NIPPLE                           |

Tri-Wing 6000

## CHAIN GUARDS ASSEMBLY

Module:  
1058705



Tri-Wing 6000

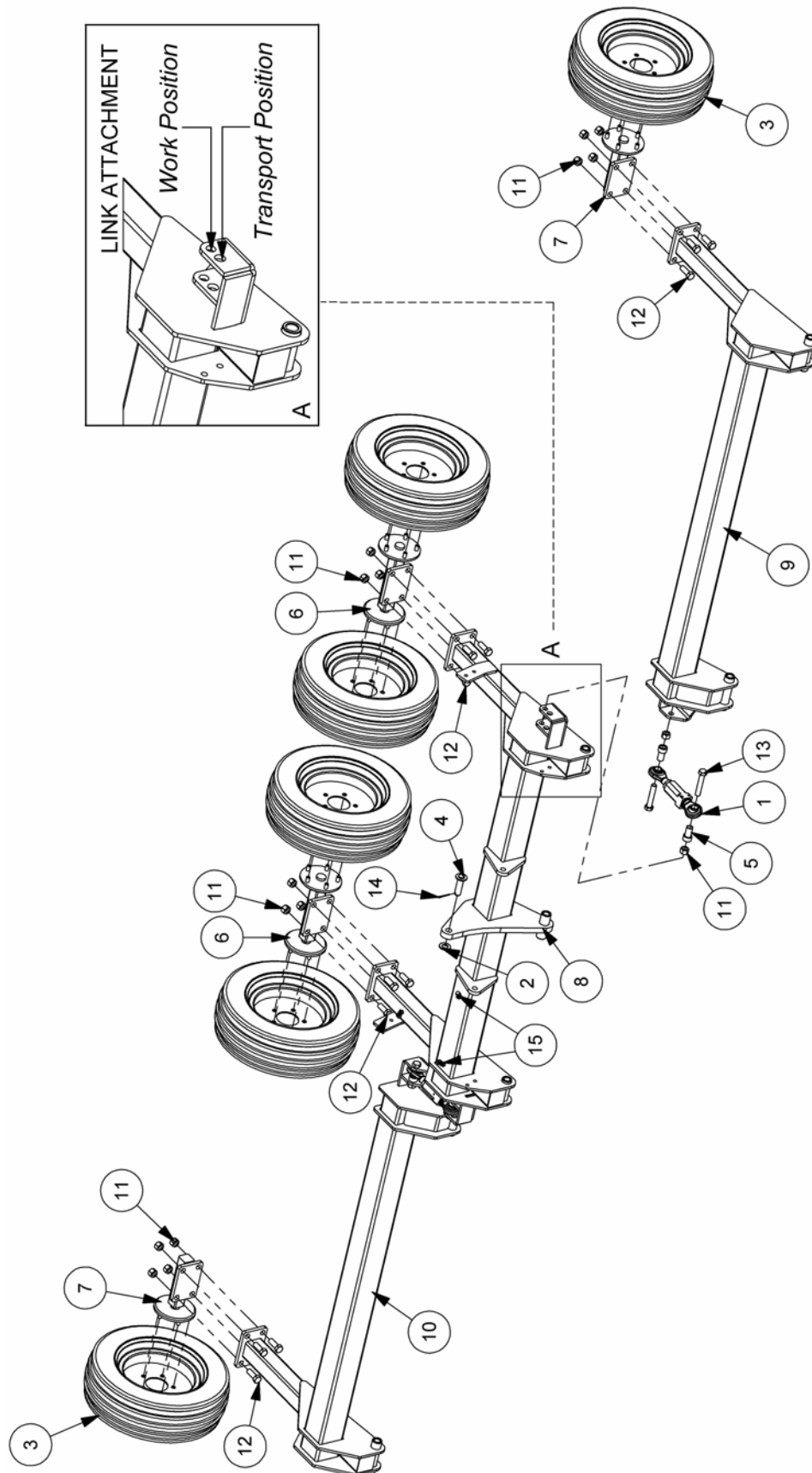
## CHAIN GUARDS ASSEMBLY

| REF. | QTY. | PART No.       | DESCRIPTION                    |
|------|------|----------------|--------------------------------|
|      |      | <b>1058705</b> | <b>CHAIN GUARDS ASSEMBLY</b>   |
| 1    | 3    | 21835.01       | CHAIN GUARD BAR - REAR GUARDS  |
| 2    | 4    | 21835.02       | CHAIN GUARD BAR - FRONT WINGS  |
| 3    | 2    | 21835.03       | CHAIN GUARD BAR - FRONT CENTRE |
| 4    | 1    | 21835.04       | CHAIN GUARD BAR - FRONT CENTRE |
| 5    | 424  | 46943.21       | CHAIN ASSEMBLY (7 LINKS)       |
| 6    | 1    | 47105.58       | FRONT GUARD - CENTRE DECK      |
| 7    | 1    | 47105.59       | FRONT GUARD - CENTRE DECK L/H  |
| 8    | 1    | 47105.60       | FRONT GUARD - CENTRE DECK R/H  |
| 9    | 1    | 47105.61       | REAR GUARD - CENTRE DECK       |
| 10   | 2    | 47105.65       | FRONT GUARD - L/H WING         |
| 11   | 2    | 47105.66       | FRONT GUARD - R/H WING         |
| 12   | 2    | 47105.67       | REAR GUARD - WINGS             |
| 13   | 35   | 05.281.03      | FLAT WASHER                    |
| 14   | 32   | 05.264.23      | SETSCREW                       |
| 15   | 3    | 05.264.24      | SETSCREW                       |
| 16   | 35   | 05.287.03      | SELF-LOCKING NUT               |

Tri-Wing 6000

## AXLES, WHEELS & HUBS

Module:  
1058707

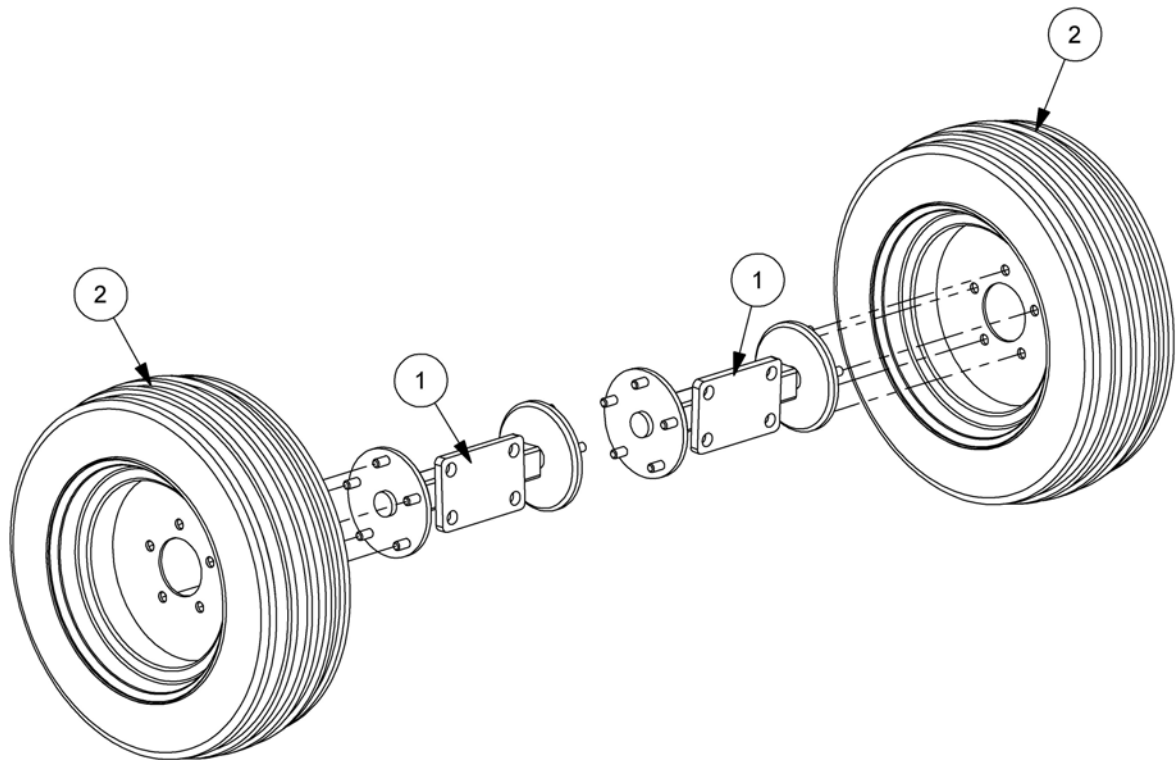


Tri-Wing 6000

**AXLES, WHEELS & HUBS**

| REF. | QTY. | PART No.       | DESCRIPTION                              |
|------|------|----------------|--|
|      |      | <b>1058707</b> | <b>AXLES, WHEELS &amp; HUBS ASSEMBLY</b> |
| 1    | 2    | 00763449       | CONTROL ROD SWIVEL                       |
| 2    | 1    | 0100109        | FLAT WASHER                              |
| 3    | 6    | 1048038AP      | WHEEL & TYRE ASSEMBLY                    |
| 4    | 1    | 21826.01       | PIN - RAM TO AXLE                        |
| 5    | 4    | 21867.01       | STEPPED SLEEVE - AXLE LINK               |
| 6    | 2    | 46992.22       | TWIN HUB <i>(includes Wheel Nuts)</i>    |
| 7    | 2    | 46992.23       | SINGLE HUB <i>(includes Wheel Nuts)</i>  |
| 8    | 1    | 21825.01       | CENTRE AXLE                              |
| 9    | 1    | 21865.01       | WING AXLE - L/H                          |
| 10   | 1    | 21865.02       | WING AXLE - R/H                          |
| 11   | 20   | 9143008        | SELF-LOCKING NUT                         |
| 12   | 16   | 05.291.46      | SETSCREW                                 |
| 13   | 4    | 05.292.44      | BOLT                                     |
| 14   | 1    | 05.284.14      | SPLIT PIN                                |
| 15   | 4    | 21151.01       | D CLIP                                   |
| 16   | 4    | 05.281.10      | FLAT WASHER                              |
| 17   | 4    | 05.282.07      | SPRING WASHER                            |
| 18   | 4    | 9313023        | SETSCREW                                 |

Tri-Wing 6000

**8 WHEEL CONVERSION KIT**Module:  
1058522

| REF. | QTY. | PART No.       | DESCRIPTION                             |
|------|------|----------------|---|
|      |      | <b>1058522</b> | <b>8 WHEEL CONVERSION KIT</b>           |
| 1    | 2    | 46992.22       | TWIN HUB ( <i>includes Wheel Nuts</i> ) |
| 2    | 2    | 1048038AP      | WHEEL ASSEMBLY                          |

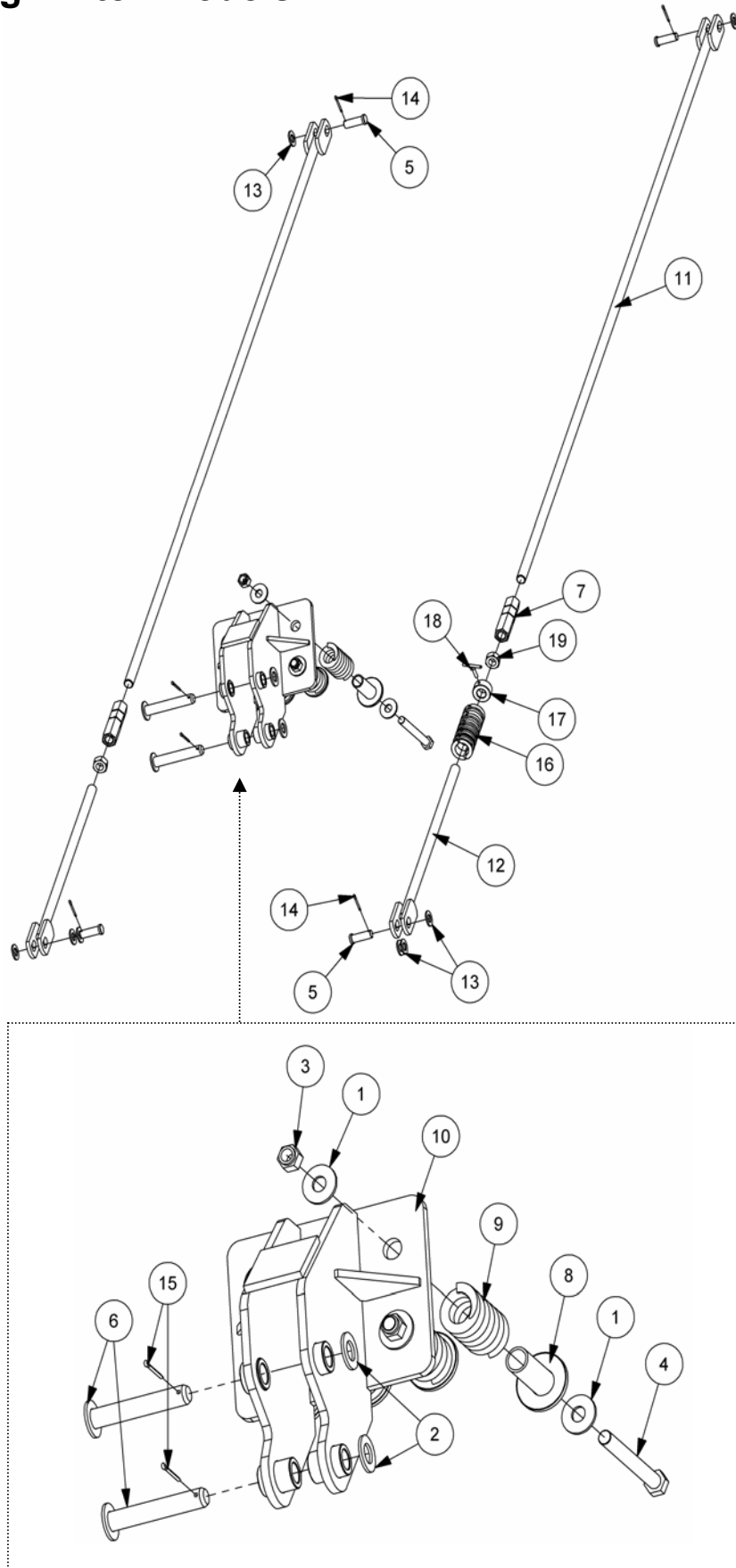


*This page is intentionally blank*

Tri-Wing 6000

## LEVELLING – High Hitch Models

Module:  
1058701





Tri-Wing 6000

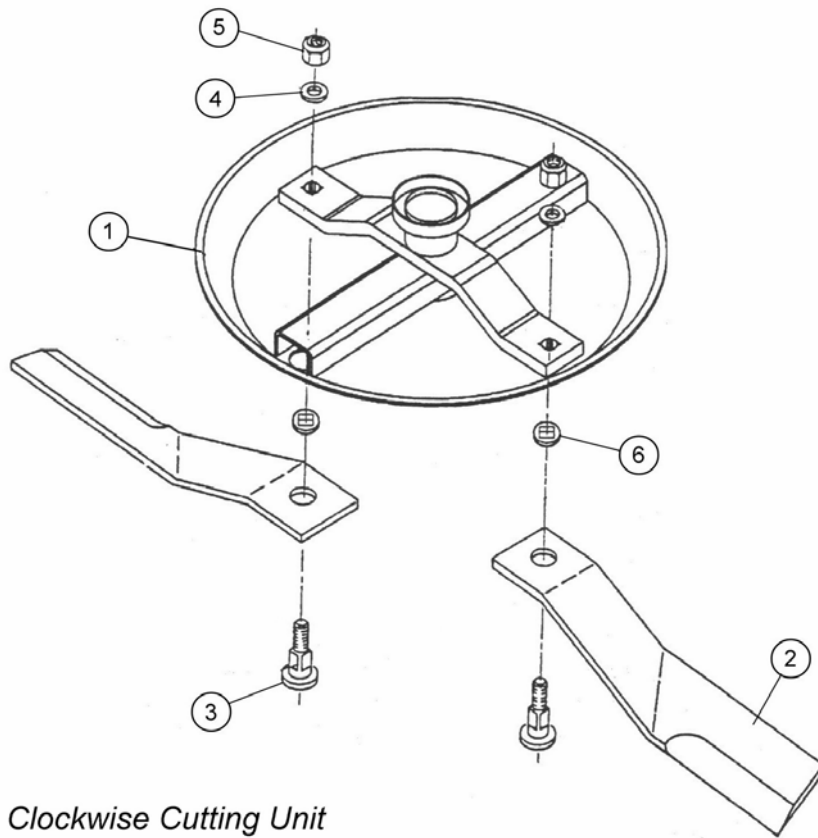
## LEVELLING – High Hitch Models

| REF. | QTY. | PART No.       | DESCRIPTION                                   |
|------|------|----------------|---|
|      |      | <b>1058701</b> | <b>LEVELLING ASSEMBLY - High Hitch Models</b> |
| 1    | 12   | 00002701       | FLAT WASHER                                   |
| 2    | 2    | 0100109        | FLAT WASHER                                   |
| 3    | 6    | 05.296.07      | CLEVELOC NUT                                  |
| 4    | 6    | 0212527        | BOLT  |
| 5    | 4    | 21818.01       | PIN - LEVELLING ROD                           |
| 6    | 2    | 21826.02       | PIN - SUSPENSION PIVOT                        |
| 7    | 2    | 45227.01       | ADJUSTMENT NUT                                |
| 8    | 6    | 45246.01       | SPRING GUIDE                                  |
| 9    | 6    | 45247.01       | COMPRESSION SPRING                            |
| 10   | 1    | 47069.17       | SUSPENSION BRACKET                            |
| 11   | 2    | 21897.01       | LEVELLING BAR - LONG                          |
| 12   | 2    | 21897.02       | LEVELLING BAR - SHORT                         |
| 13   | 8    | 05.281.05      | FLAT WASHER                                   |
| 14   | 4    | 05.284.14      | SPLIT PIN                                     |
| 15   | 2    | 9501406        | SPLIT PIN                                     |
| 16   | 1    | 00755234       | CONTROL SPACER KIT                            |
| 17   | 1    | 21860.01       | LOCKING BOSS                                  |
| 18   | 1    | 21861.01       | LOCKING HANDLE                                |
| 19   | 2    | 05.286.06      | NUT   |

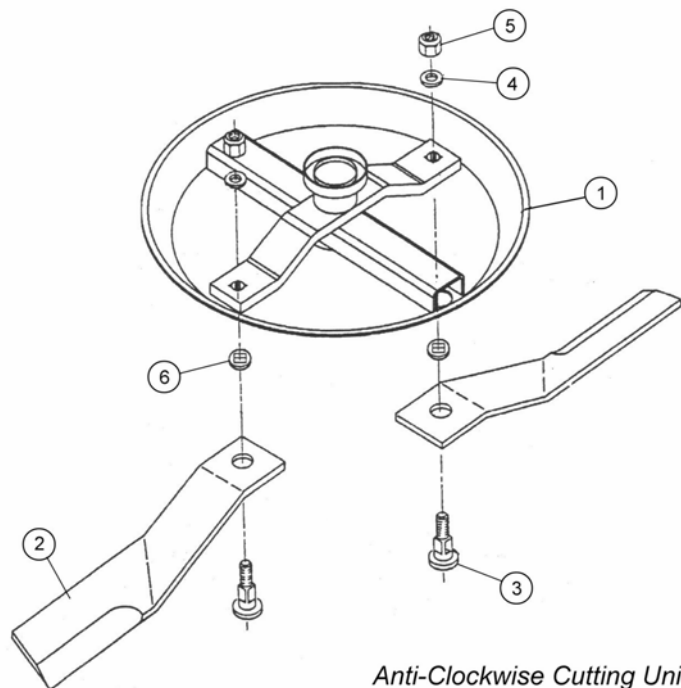
Tri-Wing 6000

## BLADES & PAN ASSEMBLY

Module:  
1058708



*Clockwise Cutting Unit*



*Anti-Clockwise Cutting Unit*

Tri-Wing 6000

## BLADES & PAN ASSEMBLY

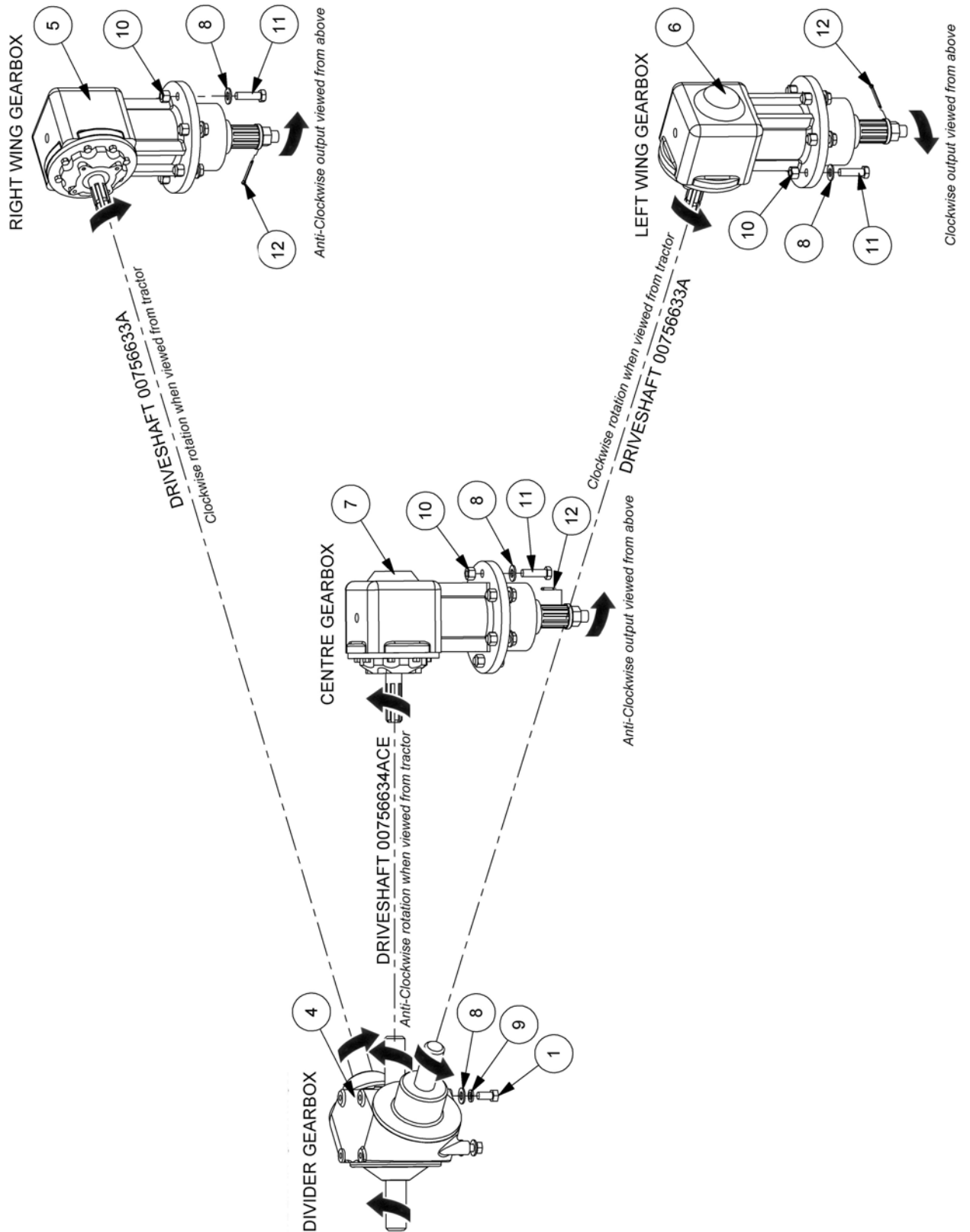
| REF. | QTY. | PART No.       | DESCRIPTION                                |
|------|------|----------------|--|
|      |      | <b>1058708</b> | <b>BLADES &amp; PAN ASSEMBLY</b>           |
| 1    | 3    | 00767541       | BLADE PAN (2-3/8" HUB)                     |
| 2    | 4    | 00764679P      | ANTI-CLOCKWISE BLADE (CENTRE & RIGHT WING) |
|      | 2    | 00764678P      | CLOCKWISE BLADE (LEFT WING)                |
| 3    | 6    | 8227           | BLADE BOLT                                 |
| 4    | 6    | 9216           | WASHER                                     |
| 5    | 6    | 5JRC16140      | LOCKNUT                                    |
| 6    | 6    | 00758579       | WASHER - SPECIAL SQUARE HOLE               |

*NOTE: Quantities above are for all 3 cutting units -  
Left Wing unit cuts Clockwise - Centre & Right Wing units cut Anti-Clockwise*

## Tri-Wing 6000

## GEARBOXES & DRIVESHAFTS

Module:  
1058700



Tri-Wing 6000

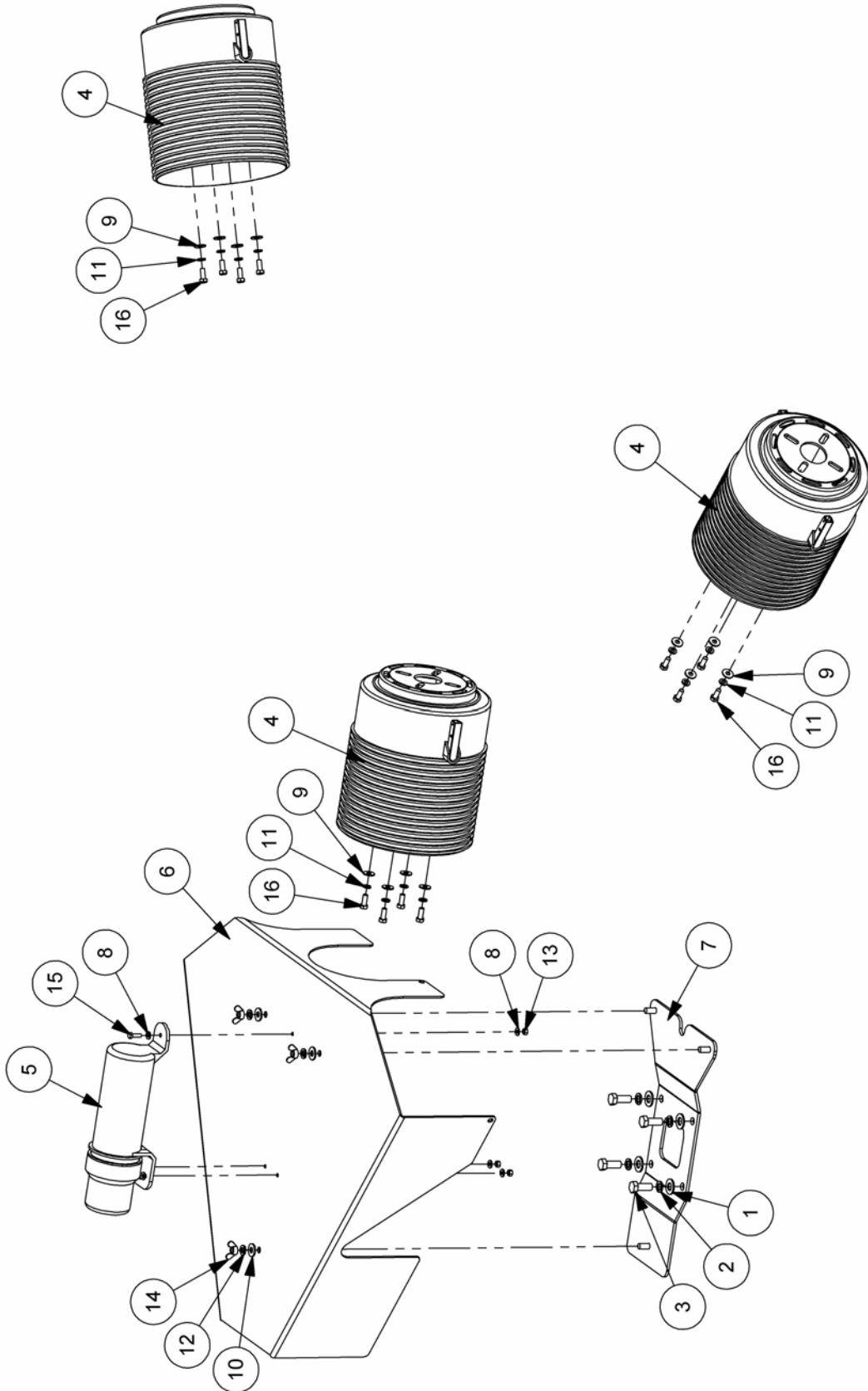
## GEARBOXES & DRIVESHAFTS

| REF. | QTY. | PART No.       | DESCRIPTION                                 |
|------|------|----------------|---|
|      |      | <b>1058700</b> | <b>GEARBOXES &amp; DRIVESHAFTS ASSEMBLY</b> |
| 1    | 6    | 00752658       | HEX SCREW                                   |
| 2    | 2    | 00756633A      | DRIVE SHAFT                                 |
| 3    | 1    | 00756634ACE    | DRIVE SHAFT                                 |
| 4    | 1    | 00769116P      | DIVIDER GEARBOX                             |
| 5    | 1    | 00769924P      | WING GEARBOX - R/H                          |
| 6    | 1    | 00769927P      | WING GEARBOX - L/H                          |
| 7    | 1    | 00769930       | CENTRE GEARBOX                              |
| 8    | 24   | 0100106        | FLAT WASHER                                 |
| 9    | 6    | 0100206        | SPRING WASHER                               |
| 10   | 18   | 9143007        | SELF-LOCKING NUT                            |
| 11   | 18   | 9313117        | SETSCREW                                    |
| 12   | 3    | 05.284.18      | COTTER PIN                                  |

Tri-Wing 6000

## DRIVELINE GUARDS ASSEMBLY

Module:  
1058706





Tri-Wing 6000

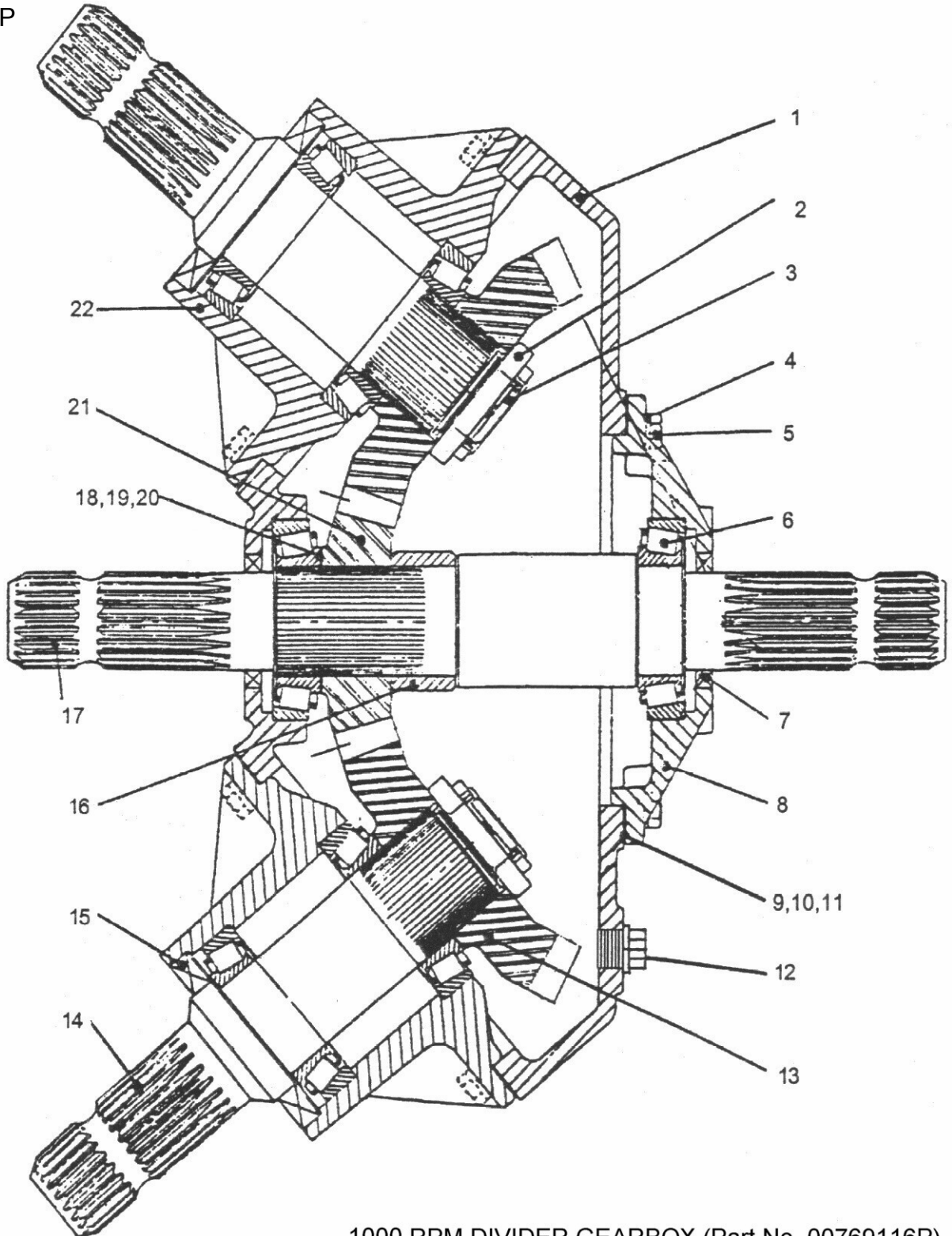
**DRIVELINE GUARDS ASSEMBLY**

| REF. | QTY. | PART No.       | DESCRIPTION                      |
|------|------|----------------|----------------------------------|
|      |      | <b>1058706</b> | <b>DRIVELINE GUARDS ASSEMBLY</b> |
| 1    | 4    | 0100105        | FLAT WASHER                      |
| 2    | 4    | 05.293.05      | SPRING WASHER                    |
| 3    | 4    | 02030700       | HEX SCREW                        |
| 4    | 3    | 21839.01       | PTO GUARD                        |
| 5    | 1    | 46505.01       | LITERATURE HOLDER                |
| 6    | 1    | 47069.73       | GUARD - DIVIDER GEARBOX          |
| 7    | 1    | 47105.03       | COVER MOUNTING - DIVIDER GEARBOX |
| 8    | 6    | 05.281.10      | FLAT WASHER                      |
| 9    | 12   | 05.281.01      | FLAT WASHER                      |
| 10   | 3    | 05.281.02      | FLAT WASHER                      |
| 11   | 12   | 05.282.01      | SPRING WASHER                    |
| 12   | 3    | 05.282.02      | SPRING WASHER                    |
| 13   | 3    | 30.070.64      | SELF-LOCKING NUT                 |
| 14   | 3    | 9193005        | WING NUT                         |
| 15   | 3    | 9313043        | SETSCREW                         |
| 16   | 12   | 9313044        | SETSCREW                         |

Tri-Wing 6000

## DIVIDER GEARBOX (1000 rpm)

Module:  
00769116P



1000 RPM DIVIDER GEARBOX (Part No. 00769116P)



Tri-Wing 6000

**DIVIDER GEARBOX (1000 rpm)**

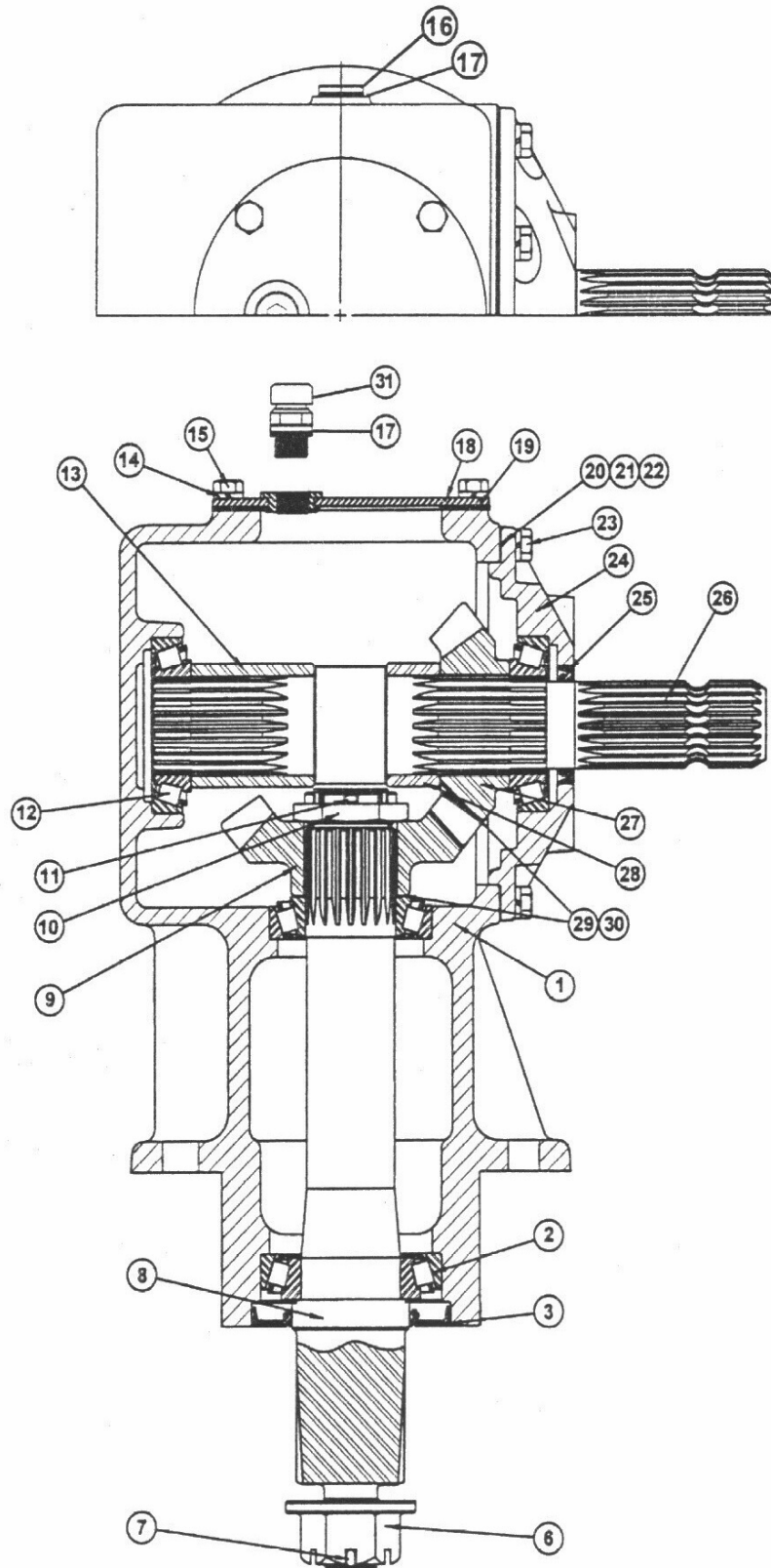
| REF. | QTY.            | PART No.        | DESCRIPTION                                   |
|------|-----------------|-----------------|---|
|      |                 | <b>00769116</b> | <b>DIVIDER GEARBOX ASSEMBLY (1000 RPM)</b>    |
| 1    | 1               | 00769162        | DIVIDER GEARBOX HOUSING                       |
| 2    | 2               | 00762121        | SLOTTED NUT                                   |
| 3    | 2               | 00026200        | COTTER PIN                                    |
| 4    | 24              | 00755954        | LOCKWASHER                                    |
| 5    | 24              | 00758659        | BOLT  |
| 6    | 6               | 00755628        | BEARING                                       |
| 7    | 2               | 00758653        | SEAL  |
| 8    | 1               | 00762128        | INPUT CAP                                     |
| 9    | <i>as req'd</i> | 00758646        | SHIM (ADJUSTMENT 0.1)                         |
| 10   | <i>as req'd</i> | 00758647        | SHIM (ADJUSTMENT 0.25)                        |
| 11   | <i>as req'd</i> | 00758648        | SHIM (ADJUSTMENT 0.5)                         |
| 12   | 1               | 00762123        | LEVEL PLUG                                    |
| 13   | 2               | 00769159        | GEAR (26 TOOTH)                               |
| 14   | 2               | 00762522        | SIDE INPUT SHAFT                              |
| 15   | 2               | 00762521        | SEAL  |
| 16   | 1               | 00758657        | SPACER - INPUT SHAFT                          |
| 17   | 1               | 00769163        | MAIN INPUT SHAFT                              |
| 18   | <i>as req'd</i> | 00758667        | SHIM (ADJUSTMENT 0.3)                         |
| 19   | <i>as req'd</i> | 00758666        | SHIM (ADJUSTMENT 0.4)                         |
| 20   | <i>as req'd</i> | 00758668        | SHIM (ADJUSTMENT 0.4)                         |
| 21   | 1               | 00769158        | GEAR (20 TOOTH)                               |
| 22   | 2               | 00762520        | HORZ. HUB CAP                                 |
| 23   | 1               | 00762114        | PIPE PLUG - VENTED ( <i>not illustrated</i> ) |

Tri-Wing 6000

## CENTRE GEARBOX (1000 rpm)

Module:

00769930



1000 RPM CENTRE GEARBOX (Part No. 00769930)

Tri-Wing 6000

**CENTRE GEARBOX (1000 rpm)**

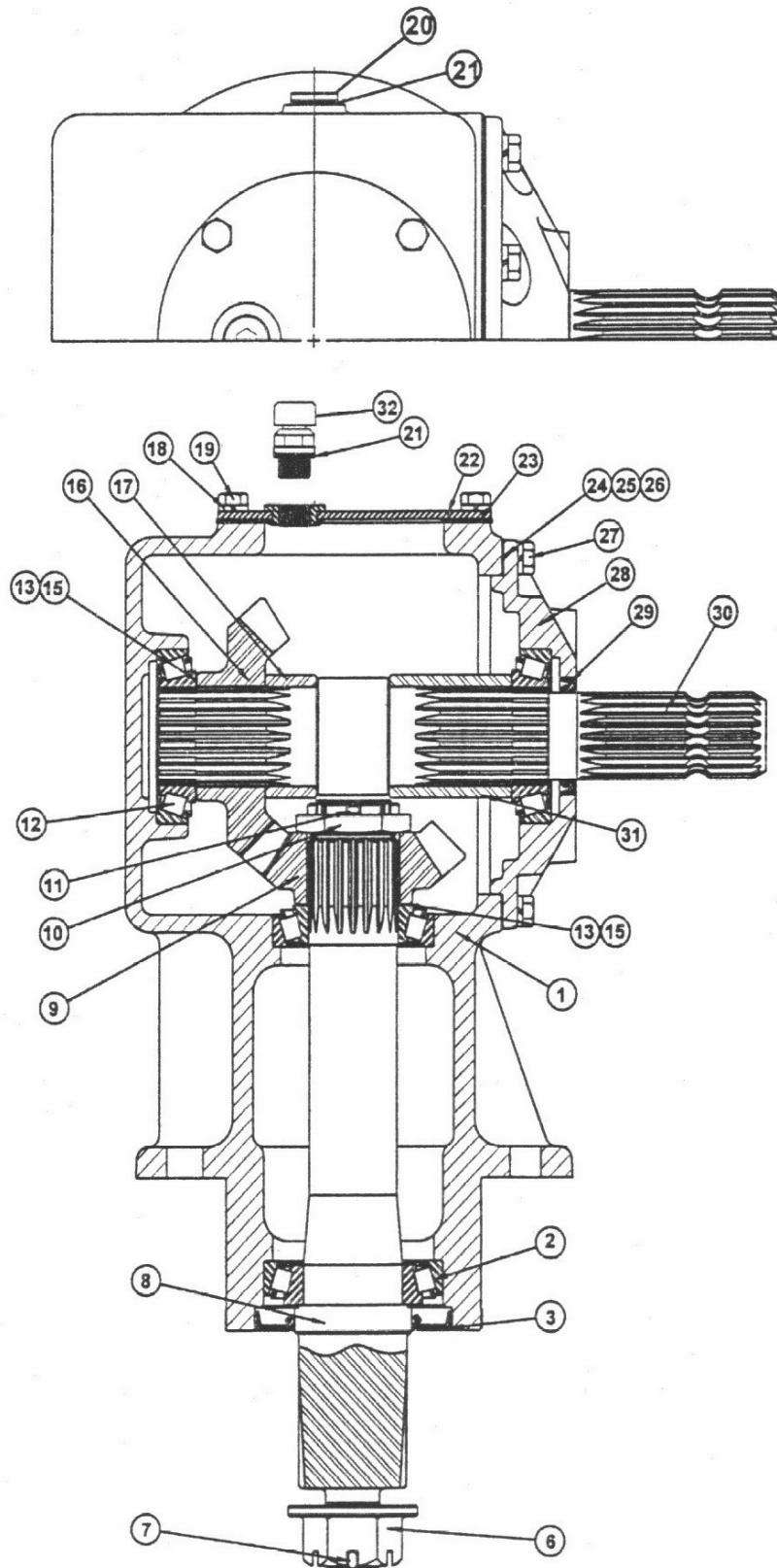
| REF. | QTY.            | PART No.        | DESCRIPTION                               |
|------|-----------------|-----------------|---|
|      |                 | <b>00769930</b> | <b>CENTRE GEARBOX ASSEMBLY (1000 RPM)</b> |
| 1    | 1               | 00770724        | HOUSING                                   |
| 2    | 1               | 00770725        | BEARING ASSEMBLY                          |
| 3    | 1               | 00770726        | OIL SEAL                                  |
| 6    | 1               | 00771226        | FLANGE NUT SLOT                           |
| 7    | 1               | 01422502        | COTTER PIN                                |
| 8    | 1               | 00770725        | VERTICAL OUTPUT SHAFT                     |
| 9    | 1               | 00770729        | GEAR (19 TOOTH)                           |
| 10   | 1               | 00762121        | NUT                                       |
| 11   | 1               | 00606000        | COTTER PIN                                |
| 12   | 3               | 00755628        | BEARING ASSEMBLY                          |
| 13   | 1               | 00770731        | INPUT SHAFT SPACER (SHORT)                |
| 14   | 12              | 00766083        | LOCKWASHER                                |
| 15   | 4               | 00754338        | BOLT                                      |
| 16   | 1               | 00762517        | PLUG                                      |
| 17   | 2               | 00769321        | SEALING WASHER                            |
| 18   | 1               | 00770732        | INSPECTION COVER                          |
| 19   | 1               | 00770733        | INSPECTION COVER GASKET                   |
| 20   | <i>as req'd</i> | 00758646        | SHIM (ADJUSTMENT 0.10)                    |
| 21   | <i>as req'd</i> | 00758647        | SHIM (ADJUSTMENT 0.25)                    |
| 22   | <i>as req'd</i> | 00758648        | SHIM (ADJUSTMENT 0.50)                    |
| 23   | 8               | 00765905        | BOLT                                      |
| 24   | 1               | 00770734        | INPUT CAP                                 |
| 25   | 1               | 00758653        | SEAL                                      |
| 26   | 1               | 00770735        | INPUT SHAFT                               |
| 27   | 1               | 00770736        | 13 TOOTH PINION                           |
| 28   | 1               | 00758657        | INPUT SHAFT SPACER (LONG)                 |
| 29   | <i>as req'd</i> | 00758667        | SHIM (ADJUSTMENT 0.30)                    |
| 30   | <i>as req'd</i> | 00758668        | SHIM (ADJUSTMENT 0.50)                    |
| 31   | 1               | 00762114        | PLUG VENT                                 |

Tri-Wing 6000

## L/H WING GEARBOX (1000 rpm)

Module:

00769927P



1000 RPM L/H WING GEARBOX (Part No. 00769927P)

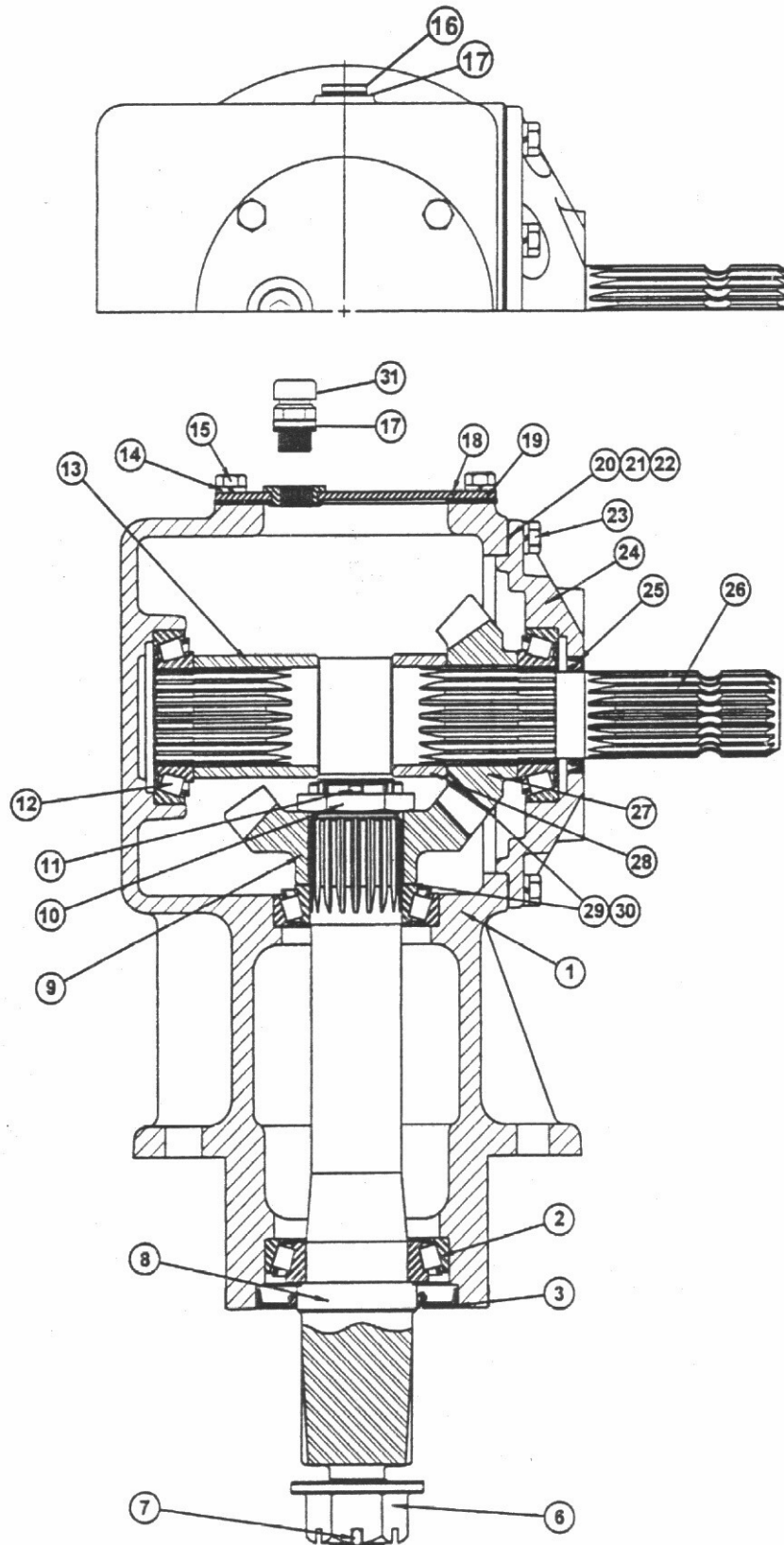
Tri-Wing 6000

**L/H WING GEARBOX (1000 rpm)**

| REF. | QTY.            | PART No.         | DESCRIPTION                                 |
|------|-----------------|------------------|---|
|      |                 | <b>00769927P</b> | <b>L/H WING GEARBOX ASSEMBLY (1000 RPM)</b> |
| 1    | 1               | 00770724         | HOUSING                                     |
| 2    | 1               | 00770725         | BEARING ASSEMBLY                            |
| 3    | 1               | 00770726         | OIL SEAL                                    |
| 6    | 1               | 00771226         | FLANGE NUT SLOT                             |
| 7    | 1               | 01422502         | COTTER PIN                                  |
| 8    | 1               | 00770728         | VERTICAL OUTPUT SHAFT                       |
| 9    | 1               | 00770739         | GEAR (17 TOOTH)                             |
| 10   | 1               | 00762121         | NUT   |
| 11   | 1               | 00606000         | COTTER PIN                                  |
| 12   | 3               | 00755628         | BEARING ASSEMBLY                            |
| 13   | <i>as req'd</i> | 00758667         | SHIM (ADJUSTMENT 0.30)                      |
| 15   | <i>as req'd</i> | 00758668         | SHIM (ADJUSTMENT 0.50)                      |
| 16   | 1               | 00770738         | GEAR (14 TOOTH)                             |
| 17   | 1               | 00758657         | INPUT SHAFT SPACER (LONG)                   |
| 18   | 12              | 00766083         | LOCKWASHER                                  |
| 19   | 4               | 00754338         | BOLT  |
| 20   | 1               | 00762517         | PLUG SOCKET HEAD                            |
| 21   | 2               | 00769321         | SEALING WASHER                              |
| 22   | 1               | 00770732         | INSPECTION COVER                            |
| 23   | 1               | 00770733         | INSPECTION COVER GASKET                     |
| 24   | <i>as req'd</i> | 00758646         | SHIM (ADJUSTMENT 0.10)                      |
| 25   | <i>as req'd</i> | 00758647         | SHIM (ADJUSTMENT 0.25)                      |
| 26   | <i>as req'd</i> | 00758648         | SHIM (ADJUSTMENT 0.50)                      |
| 27   | 8               | 00765905         | BOLT  |
| 28   | 1               | 00770734         | INPUT CAP                                   |
| 29   | 1               | 00758653         | OIL SEAL                                    |
| 30   | 1               | 00770735         | INPUT SHAFT                                 |
| 31   | 1               | 00770731         | INPUT SHAFT SPACER (SHORT)                  |
| 32   | 1               | 00762114         | PLUG VENT                                   |

## Tri-Wing 6000 R/H WING GEARBOX (1000 rpm)

Module:  
00769924P



1000 RPM R/H WING GEARBOX (Part No. 00769924P)

Tri=Wing 6000

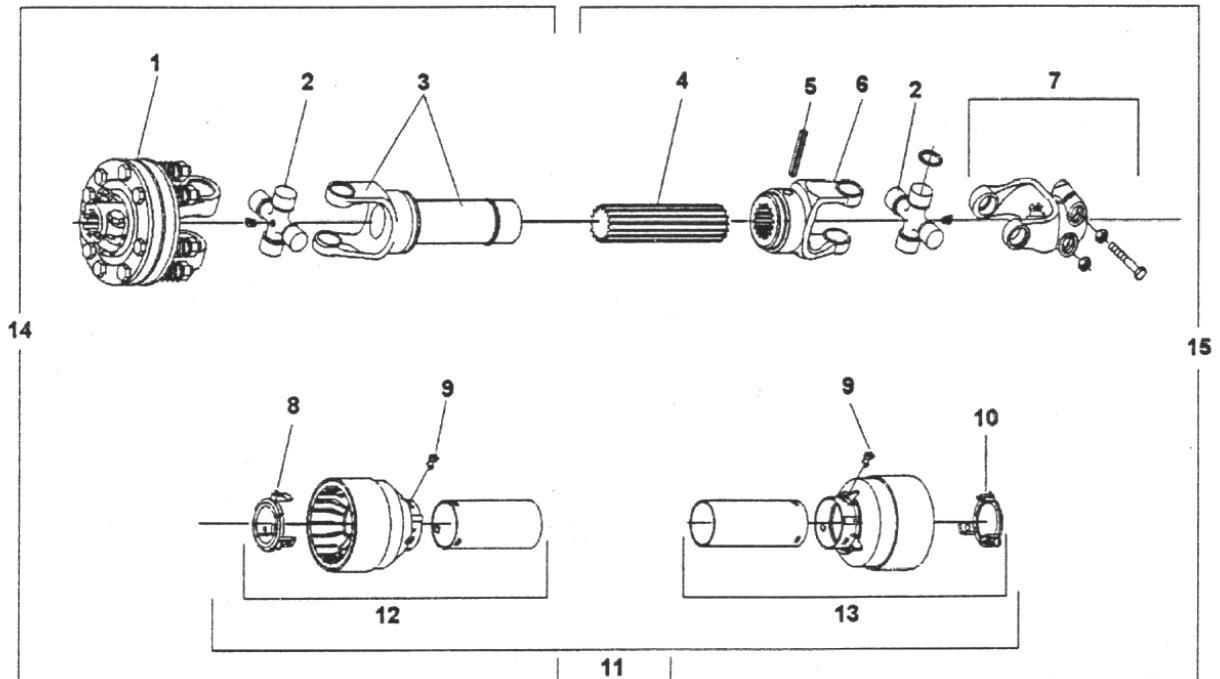
**R/H WING GEARBOX (1000 rpm)**

| REF. | QTY.            | PART No.         | DESCRIPTION                                 |
|------|-----------------|------------------|---|
|      |                 | <b>00769924P</b> | <b>R/H WING GEARBOX ASSEMBLY (1000 RPM)</b> |
| 1    | 1               | 00770724         | HOUSING                                     |
| 2    | 1               | 00770725         | BEARING ASSEMBLY                            |
| 3    | 1               | 00770726         | OIL SEAL                                    |
| 6    | 1               | 00771226         | FLANGE NUT SLOT                             |
| 7    | 1               | 01422502         | COTTER PIN                                  |
| 8    | 1               | 00770728         | VERTICAL OUTPUT SHAFT                       |
| 9    | 1               | 00770739         | GEAR (17 TOOTH)                             |
| 10   | 1               | 00762121         | NUT   |
| 11   | 1               | 00606000         | COTTER PIN                                  |
| 12   | 3               | 00755628         | BEARING ASSEMBLY                            |
| 13   | 1               | 00770731         | INPUT SHAFT SPACER (SHORT)                  |
| 14   | 12              | 00766083         | LOCKWASHER                                  |
| 15   | 4               | 00754338         | BOLT  |
| 16   | 1               | 00762517         | PLUG SOCKET HEAD                            |
| 17   | 2               | 00769321         | SEALING WASHER                              |
| 18   | 1               | 00770732         | INSPECTION COVER                            |
| 19   | 1               | 00770733         | INSPECTION COVER GASKET                     |
| 20   | <i>as req'd</i> | 00758646         | SHIM (ADJUSTMENT 0.10)                      |
| 21   | <i>as req'd</i> | 00758647         | SHIM (ADJUSTMENT 0.25)                      |
| 22   | <i>as req'd</i> | 00758648         | SHIM (ADJUSTMENT 0.50)                      |
| 23   | 8               | 00765905         | BOLT  |
| 24   | 1               | 00770734         | INPUT CAP                                   |
| 25   | 1               | 00758653         | SEAL  |
| 26   | 1               | 00770735         | INPUT SHAFT                                 |
| 27   | 1               | 00770738         | 14 TOOTH PINION                             |
| 28   | 1               | 00758657         | INPUT SHAFT SPACER (LONG)                   |
| 29   | <i>as req'd</i> | 00758667         | SHIM (ADJUSTMENT 0.30)                      |
| 31   | <i>as req'd</i> | 00758668         | SHIM (ADJUSTMENT 0.50)                      |
| 32   | 1               | 00762114         | PLUG VENT                                   |

Tri-Wing 6000

## DRIVESHAFT - CENTRE GEARBOX

Module:  
00756634ACE



| REF. | QTY. | PART No.           | DESCRIPTION                              |
|------|------|--------------------|--|
|      |      | <b>00756634ACE</b> | <b>DRIVESHAFT (CENTRE GEARBOX)</b>       |
| 1    | 1    | 00756173           | SLIP CLUTCH                              |
| 2    | 2    | 00753068           | CROSS JOURNAL SET                        |
| 3    | 1    | 00772269           | YOKE WITH SLEEVE ASSEMBLY                |
| 4    | 1    | 00756651           | SPLINED SHAFT                            |
| 5    | 1    | 00758159           | ROLL PIN                                 |
| 6    | 1    | 00766585           | INNER YOKE                               |
| 7    | 1    | 00772743           | COMPLETE INTERFERING CLAMP BOLT YOKE 165 |
| 8    | 1    | 00765420           | GUARD RETAINING COLLAR FOR INNER TUBE    |
| 9    | 6    | 00754330           | BOLT                                     |
| 10   | 1    | 00765417           | RETAINING COLLAR FOR INNER TUBE          |
| 11   | 1    | 00765463           | COMPLETE GUARD c/w INSTRUCTION MANUAL    |
| 12   | 1    | 00765461           | HALF FEMALE GUARD                        |
| 13   | 1    | 00765462           | HALF MALE GUARD                          |
| 14   | 1    | 00765459           | HALF FEMALE SHAFT c/w GUARDING           |
| 15   | 1    | 00765460           | HALF MALE SHAFT c/w GUARDING             |

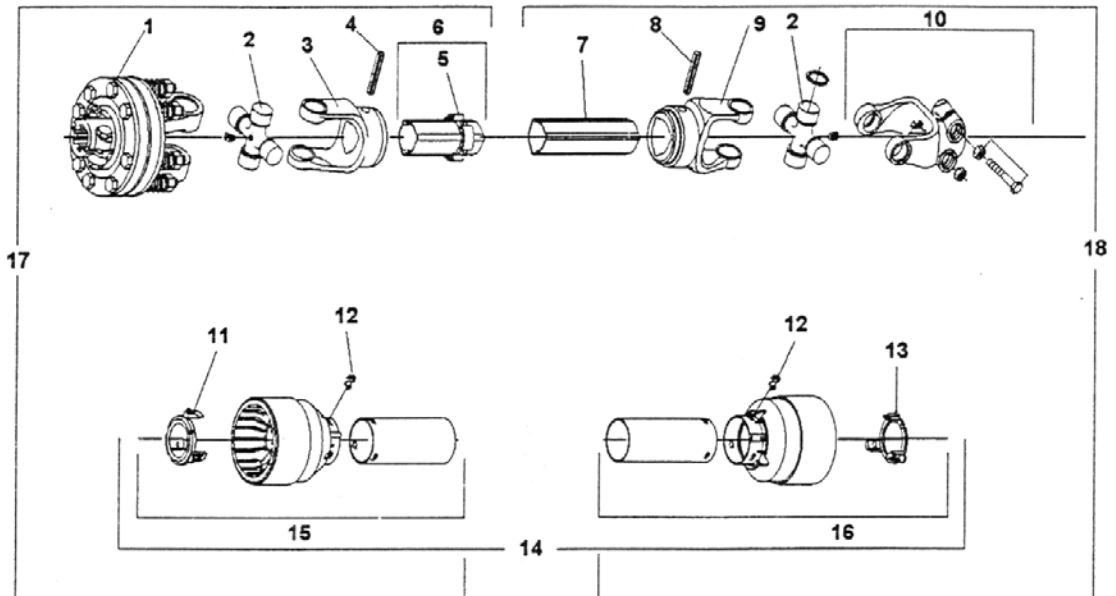


Tri-Wing 6000

## DRIVESHAFT - WING GEARBOXES

Module:

00756633A

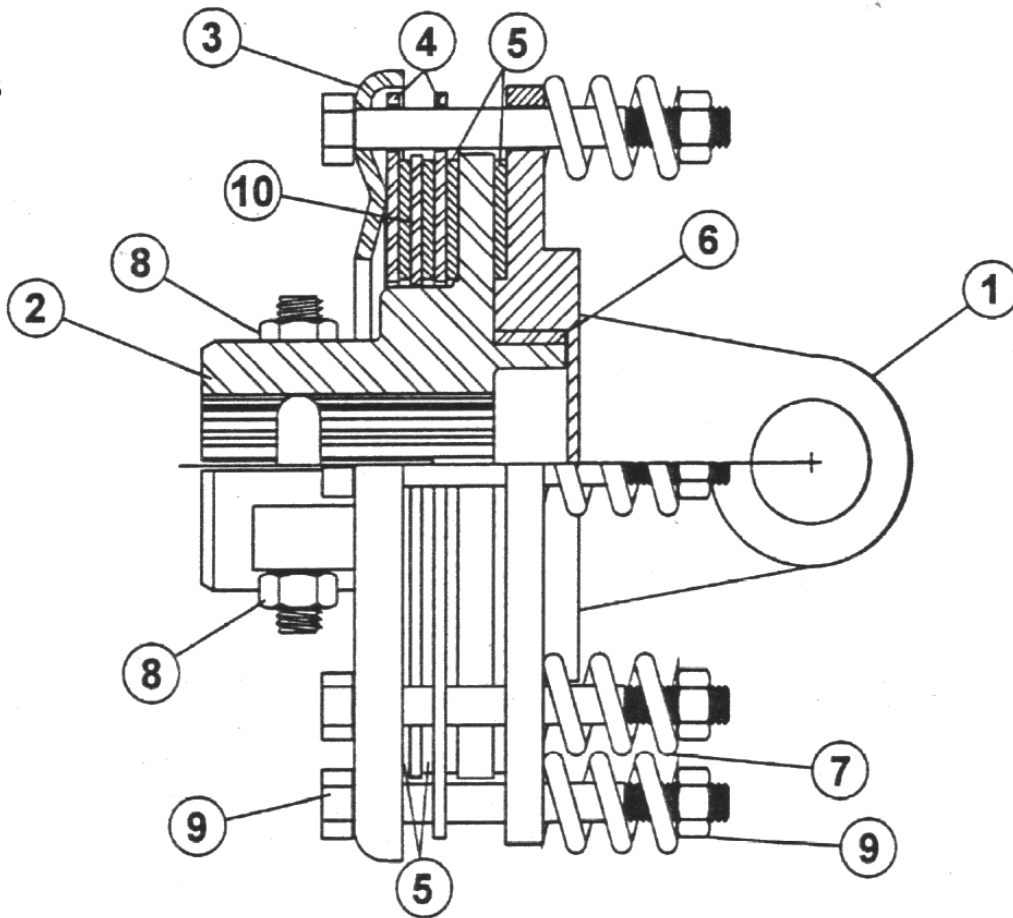


| REF. | QTY. | PART No.         | DESCRIPTION                              |
|------|------|------------------|--|
|      |      | <b>00756633A</b> | <b>DRIVESHAFT (WING GEARBOXES)</b>       |
| 1    | 1    | 00756173         | SLIP CLUTCH c/w SPRING                   |
| 2    | 2    | 00753068         | CROSS JOURNAL SET                        |
| 3    | 1    | 00765471         | OUTER YOKE                               |
| 4    | 1    | 00766934         | ROLL PIN FOR OUTER TUBE                  |
| 5    | 1    | 00772932         | BUSH c/w GREASE NIPPLE                   |
| 6    | 1    | 00765466         | COMPLETE OUTER TUBE                      |
| 7    | 1    | 00765465         | INNER TUBE                               |
| 8    | 1    | 00756934         | ROLL PIN FOR INNER TUBE                  |
| 9    | 1    | 00765472         | INNER YOKE                               |
| 10   | 1    | 00757040         | COMPLETE INTERFERING CLAMP BOLT YOKE 165 |
| 11   | 1    | 00765420         | GUARD RETAINING COLLAR FOR OUTER TUBE    |
| 12   | 6    | 00754330         | BOLT                                     |
| 13   | 1    | 00765417         | GUARD RETAINING COLLAR FOR INNER TUBE    |
| 14   | 1    | 00765448         | COMPLETE GUARD c/w INSTRUCTION MANUAL    |
| 15   | 1    | 00765438         | HALF FEMALE GUARD                        |
| 16   | 1    | 00765439         | HALF MALE GUARD                          |
| 17   | 1    | 00765447         | HALF FEMALE SHAFT c/w GUARDING           |
| 18   | 1    | 00765446         | HALF MALE SHAFT c/w GUARDING             |

Tri-Wing 6000

### SLIP CLUTCH ASSEMBLY

Module:  
00756173



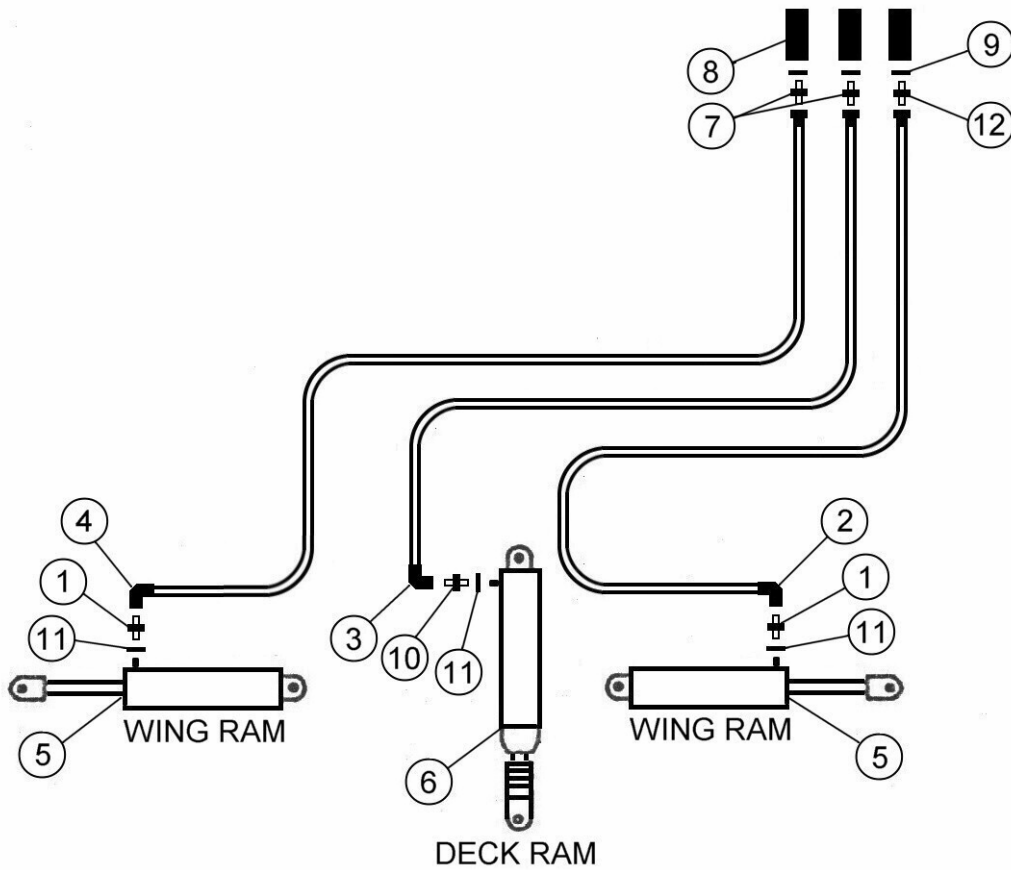
For Cat. 5 Drivelines

| REF. | QTY. | PART No.        | DESCRIPTION                 |
|------|------|-----------------|-----------------------------|
|      |      | <b>00756173</b> | <b>SLIP CLUTCH ASSEMBLY</b> |
| 1    | 1    | 00754083        | YOKE - CLUTCH SERIES 8      |
| 2    | 1    | 00755599        | CLUTCH SUPPORT              |
| 3    | 1    | 00768810        | PRESSURE PLATE              |
| 4    | 2    | 00754314        | PLATE WITH HOLES            |
| 5    | 4    | 00754202        | CLUTCH LINING RING          |
| 6    | 1    | 00754301        | BUSHING                     |
| 7    | 8    | 00754303        | SPRING CLUTCH               |
| 8    | 2    | 00755600        | NUT & BOLT                  |
| 9    | 8    | 00754199        | NUT & BOLT                  |
|      | 8    |                 | NUT & BOLT                  |
| 10   | 1    | 00754201        | INTERMEDIATE PLATE          |

Tri-Wing 6000

**HYDRAULIC INSTALLATION**

Module:  
1058709

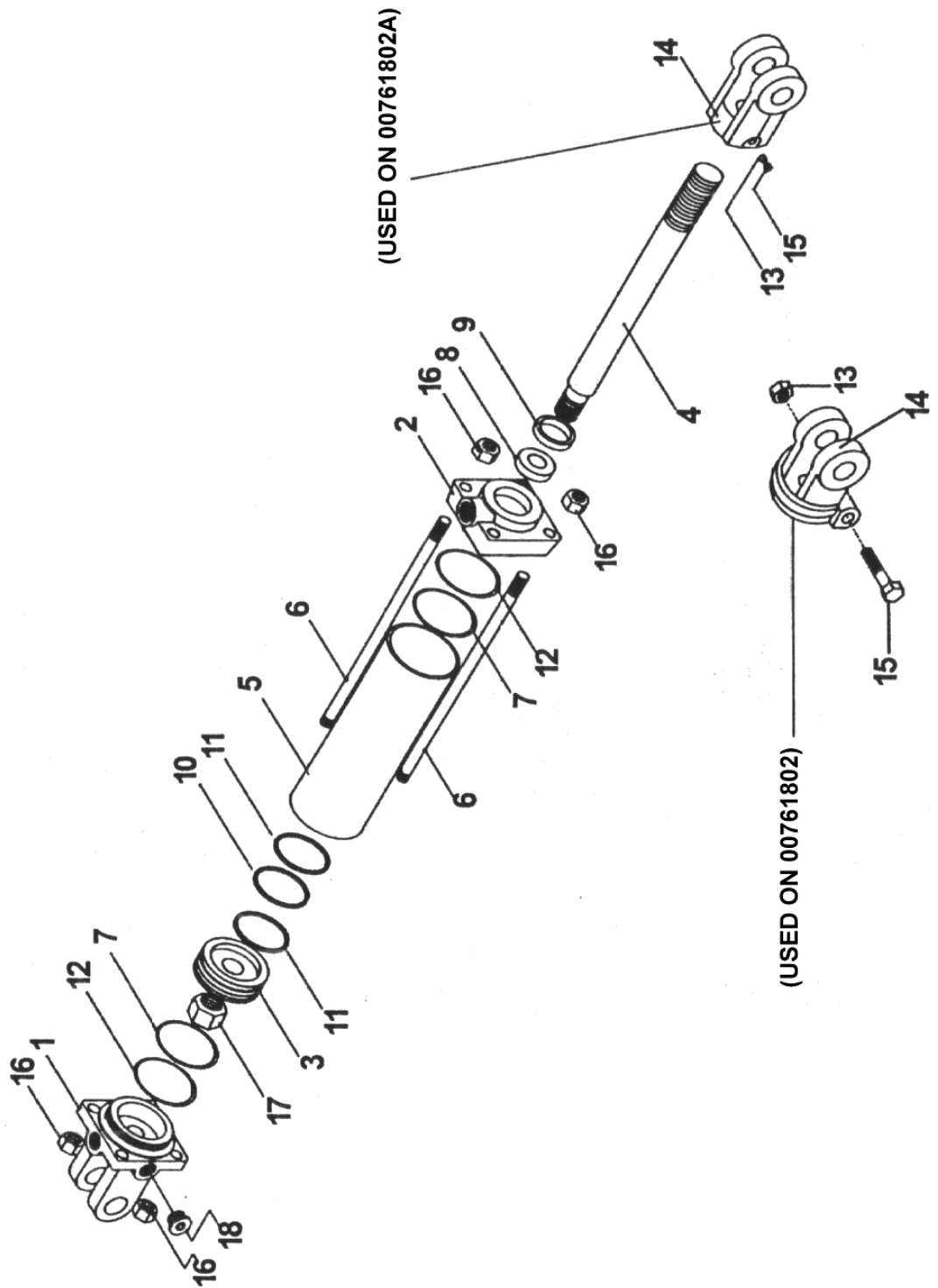


| REF. | QTY. | PART No.       | DESCRIPTION                   |
|------|------|----------------|-------------------------------|
|      |      | <b>1058709</b> | <b>HYDRAULIC INSTALLATION</b> |
| 1    | 2    | 8581170        | ADAPTOR                       |
| 2    | 1    | 10.004.75      | HYDRAULIC HOSE                |
| 3    | 1    | 10.006.60      | HYDRAULIC HOSE                |
| 4    | 1    | 10.004.83      | HYDRAULIC HOSE                |
| 5    | 1    | 00761802       | HYDRAULIC RAM (WING)          |
| 6    | 2    | 00759947       | HYDRAULIC RAM (DECK)          |
| 7    | 2    | 46518.33       | RESTRICTOR UNION              |
| 8    | 3    | 05.146.01      | QUICK RELEASE COUPLING        |
| 9    | 3    | 8650104        | BONDED SEAL                   |
| 10   | 1    | 08.955.12      | ADAPTOR                       |
| 11   | 3    | 8600908        | O RING                        |
| 12   | 1    | T1826          | MALE UNION                    |
| 13   | 8    | 7135084        | HOSE TIE                      |
| 14   | 1    | 00900913       | HOSE SLEEVE (1200mm)          |

Tri-Wing 6000

## HYDRAULIC SYSTEM - AXLE RAM

Module:  
00761802



Tri-Wing 6000

## HYDRAULIC SYSTEM - AXLE RAM

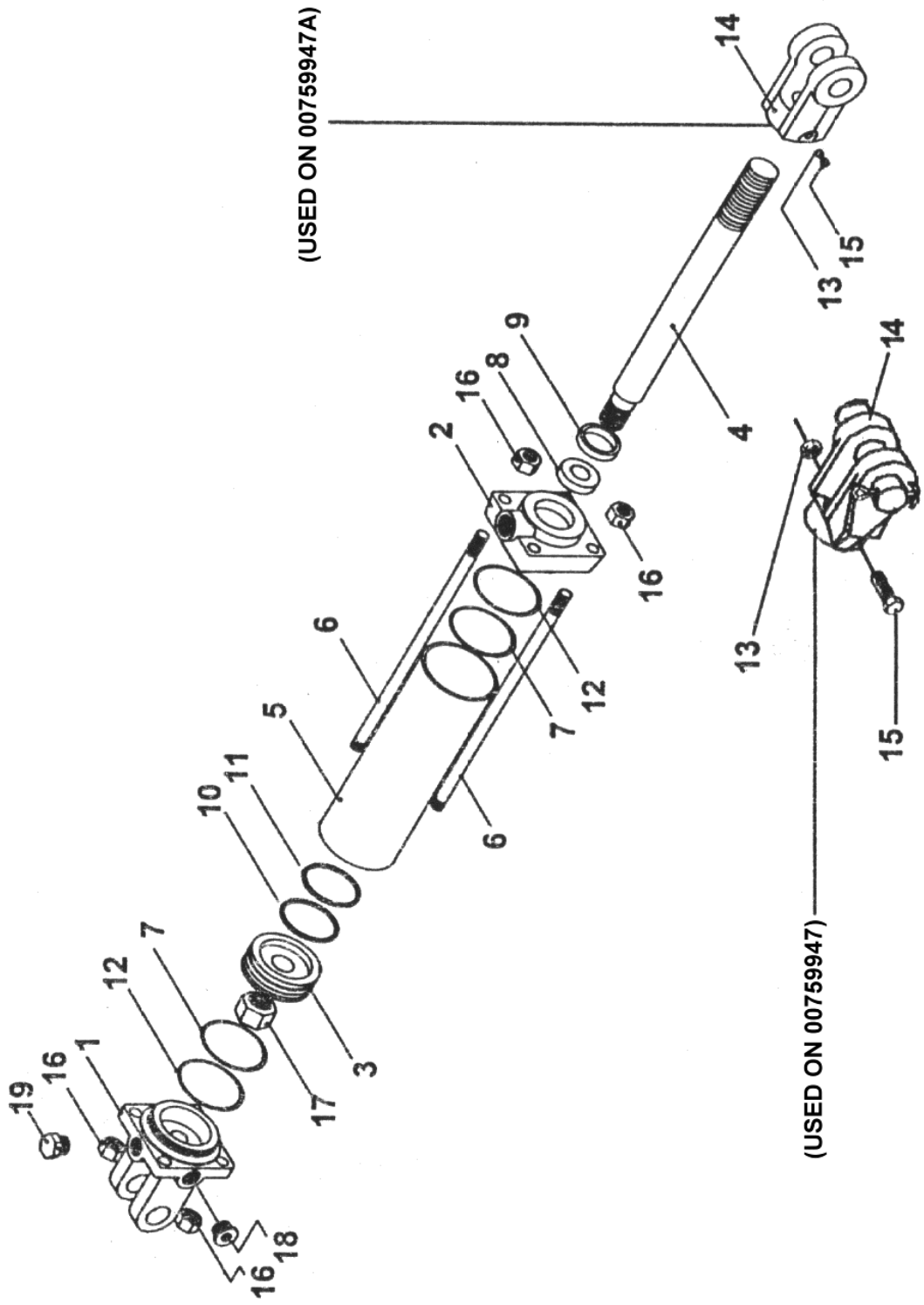
| REF. | QTY.     | PART No.         | DESCRIPTION                       |
|------|----------|------------------|-----------------------------------|
|      | 1        | <b>00761802</b>  | <b>CYLINDER ASSEMBLY</b>          |
| 1    | 1        | 8772             | CAP                               |
| 2    | 1        | 00761896         | HEAD                              |
| 3    | 1        | 00761892         | PISTON                            |
| 4    | 1        | 00761894         | PISTON ROD                        |
| 5    | 1        | 00761893         | TUBE                              |
| 6    | 4        | 8773             | TIE ROD                           |
| 13   | 1        | 00015800         | NUT                               |
| 14   | 1        | 00761895         | CLEVIS                            |
| 15   | 1        | 00023100         | BOLT                              |
| 16   | 8        | 4689             | TIE ROD NUT                       |
| 17   | 1        | 4705             | PISTON NUT                        |
| 19   | 1        | 00761891         | SEAL KIT                          |
| 20   | 1        | 6511324          | BREATHER <i>(not illustrated)</i> |
|      | <b>1</b> | <b>00761802A</b> | <b>CYLINDER ASSEMBLY</b>          |
| 1    | 1        | 00774728         | CLEVIS CAP                        |
| 2    | 1        | 00774735         | ROD CAP                           |
| 3    | 1        | 00774733         | PISTON                            |
| 4    | 1        | 00774739         | ROD                               |
| 5    | 1        | 00774750         | TUBE                              |
| 6    | 4        | 00774745         | TIE ROD                           |
| 7*   | 2        | -                | 'O' RING                          |
| 8*   | 1        | -                | ROD WIPER SEAL                    |
| 9*   | 1        | -                | ROD DUST SEAL                     |
| 10*  | 1        | -                | PISTON SEAL                       |
| 11*  | 2        | -                | PISTON WEAR RING                  |
| 12*  | 2        | -                | BACKUP WASHERS                    |
| 13   | 1        | 3047117          | NYLON THREAD PROTECTOR            |
| 14   | 1        | 1917140          | ROD CLEVIS                        |
| 15   | 1        | 00774740         | SETSCREW                          |
| 16   | 8        | 33017H5C         | TIE ROD NUT                       |
| 17   | 1        | 5JRC16140        | PISTON NUT                        |
| 18   | 1        | 1917132          | PORT PLUG                         |

\* Consists of Seal Kit 00774759

Tri-Wing 6000

## HYDRAULIC SYSTEM - WING RAM

Module:  
00759947



Tri-Wing 6000

**HYDRAULIC SYSTEM - WING RAM**

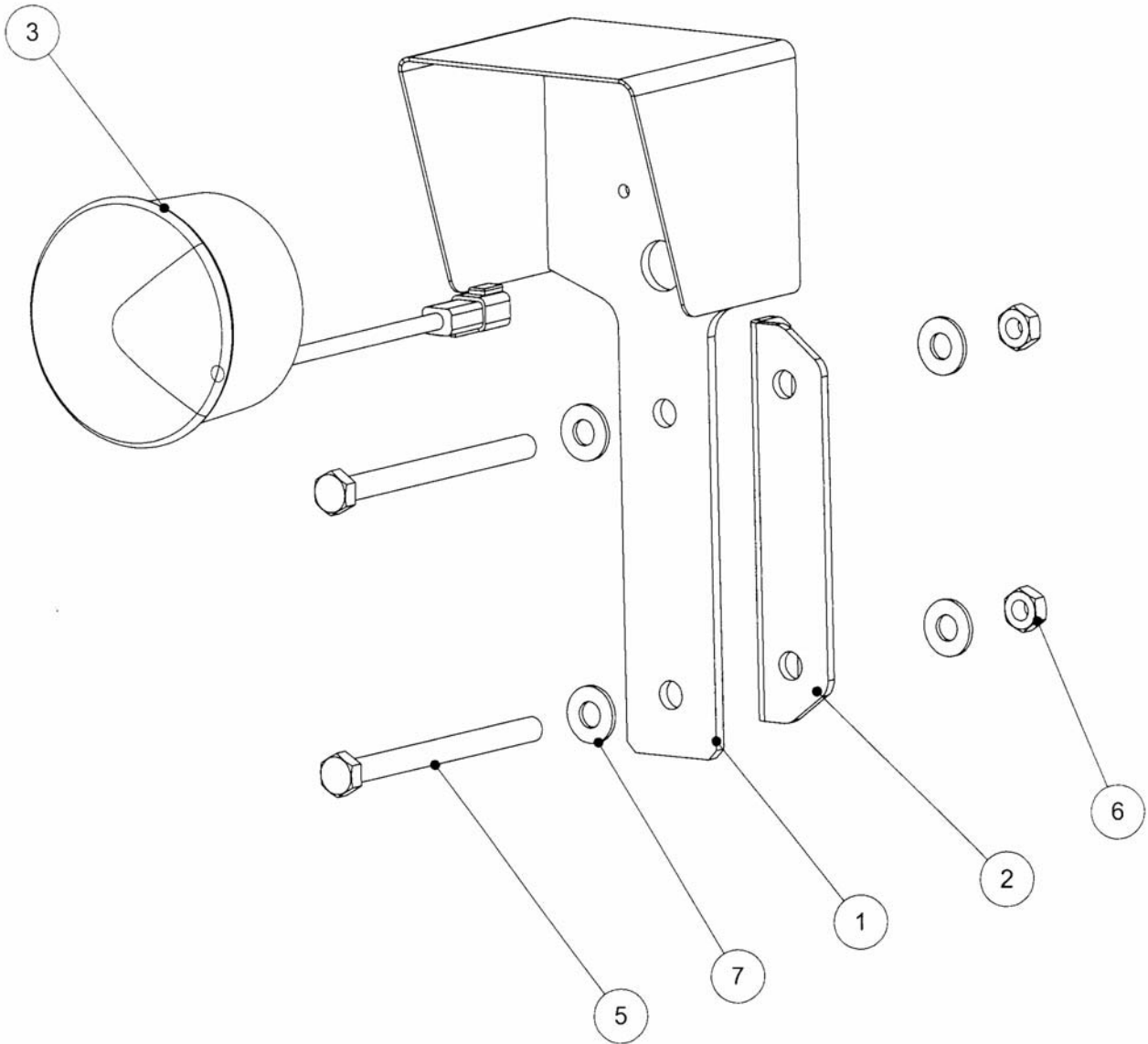
| REF. | QTY.     | PART No.         | DESCRIPTION              |
|------|----------|------------------|--------------------------|
|      | 1        | <b>00759947</b>  | <b>CYLINDER ASSEMBLY</b> |
| 1    | 1        | 00760197         | CAP                      |
| 2    | 1        | 00760197         | HEAD                     |
| 3    | 1        | 00760198         | PISTON                   |
| 4    | 1        | 00760201         | PISTON ROD               |
| 5    | 1        | 00760195         | TUBE                     |
| 6    | 4        | 00760203         | TIE ROD                  |
| 13   | 1        | 4378             | HEX NUT                  |
| 14   | 1        | 8754             | OUTER CLEVIS             |
| 15   | 1        | 4427             | BOLT                     |
| 16   | 8        | 4690             | TIE ROD NUT              |
| 17   | 1        | 4675             | PISTON NUT               |
| 19   | 1        | 6511324          | BREATHER PLUG            |
| 20   | 1        | 00760199         | SEAL KIT                 |
|      | <b>1</b> | <b>00759947A</b> | <b>CYLINDER ASSEMBLY</b> |
| 1    | 1        | 2417158          | CLEVIS CAP               |
| 2    | 1        | 2417157          | ROD CAP                  |
| 3    | 1        | 00774732         | PISTON                   |
| 4    | 1        | 00774738         | ROD                      |
| 5    | 1        | 00774749         | TUBE                     |
| 6    | 4        | 00774743         | TIE ROD                  |
| 7*   | 2        | -                | 'O' RING                 |
| 8*   | 1        | -                | ROD WIPER SEAL           |
| 9*   | 1        | -                | ROD DUST SEAL            |
| 10*  | 1        | -                | PISTON SEAL              |
| 11*  | 2        | -                | PISTON WEAR RING         |
| 12*  | 2        | -                | BACKUP WASHERS           |
| 13   | 1        | 3047117          | NYLON THREAD PROTECTOR   |
| 14   | 1        | 1917140          | ROD CLEVIS               |
| 15   | 1        | 00774740         | SETSCREW                 |
| 16   | 8        | 33005H5C         | TIE ROD NUT              |
| 17   | 1        | 5JRC16140        | PISTON NUT               |
| 18   | 1        | 1917132          | PORT PLUG                |
| 19   | 1        | 2417154          | BREATHER                 |

\* Consists of Seal Kit 00774761

Tri-Wing 6000

## LIGHT KIT

Module:  
77.600.21





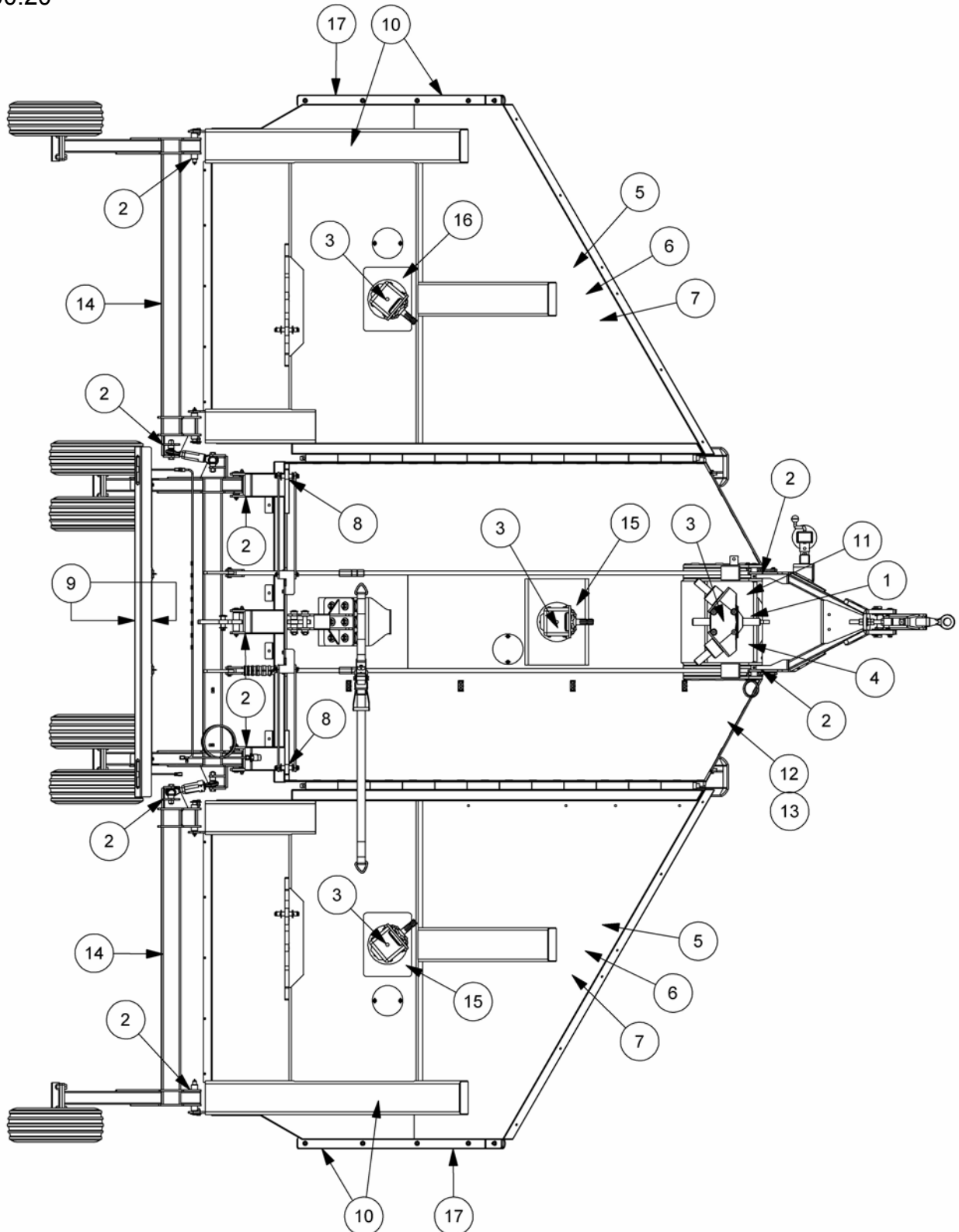
Tri-Wing 6000  
**LIGHT KIT**

| REF. | QTY. | PART No.         | DESCRIPTION      |
|------|------|------------------|------------------|
|      |      | <b>77.600.21</b> | <b>LIGHTKIT</b>  |
| 1    | 2    | 47454.03         | LIGHT BBRACKET   |
| 2    | 2    | 47454.04         | CLAMP PLATE      |
| 3    | 2    | 45326.01         | LIGHT UNIT       |
| 4    | 1    | 45656.05         | LIGHTING LOOM    |
| 5    | 4    | 05.292.28        | BOLT M12         |
| 6    | 4    | 05.287.03        | SELF LOCKING NUT |
| 7    | 8    | 05.281.03        | FLAT WASHER 12MM |
| 8    | 12   | 43357.01         | CABLE CLIP       |

## Tri-Wing 6000

### MACHINE DECALS

Module:  
77.600.20



Tri-Wing 6000

**MACHINE DECALS**

| REF. | QTY. | PART No.         | DESCRIPTION                    |
|------|------|------------------|--------------------------------|
|      |      | <b>77.600.20</b> | <b>DECAL KIT</b>               |
| 1    | 1    | 00763613         | DECAL - SLIP CLUTCH ADJUSTMENT |
| 2    | 15   | 09.810.01        | DECAL - GREASE (8 Hours)       |
| 3    | 4    | 09.810.05        | DECAL - OIL LEVEL              |
| 4    | 1    | 09.811.05        | DECAL - PTO SPEED (1000 rpm)   |
| 5    | 2    | 09.821.29        | DECAL - COMBINED EURODECAL     |
| 6    | 2    | 09.821.30        | DECAL - COMBINED EURODECAL     |
| 7    | 2    | 09.821.34        | DECAL - COMBINED EURODECAL     |
| 8    | 2    | 09.843.07        | DECAL - LIFT POINT             |
| 9    | 2    | 45645.01         | DECAL - BOMFORD 72MM           |
| 10   |      | 45645.02         | DECAL - BOMFORD 50MM           |
| 12   | 4    | 05.227.01        | HAMMER DRIVE SCREW             |
| 13   | 1    | 05.774.07        | SERIAL No. PLATE               |
| 14   | 4    | 7560093          | DECAL - ADHESIVE REFLECTOR     |
| 15   | 2    | D137             | DECAL - BLADE ROTATION (CCW)   |
| 16   | 1    | D138             | DECAL - BLADE ROTATION (CW)    |
| 17   | 2    | 47153.02         | DECAL - TRI-WING 6000          |