

PARTS MANUAL
PM 1833

SHEARTRIM CUTTER BAR

Whole Goods Codes

90.015.05

90.015.06

Issue 2

SHEARTRIM CUTTER BAR - W.G.C. 90.015.05/06

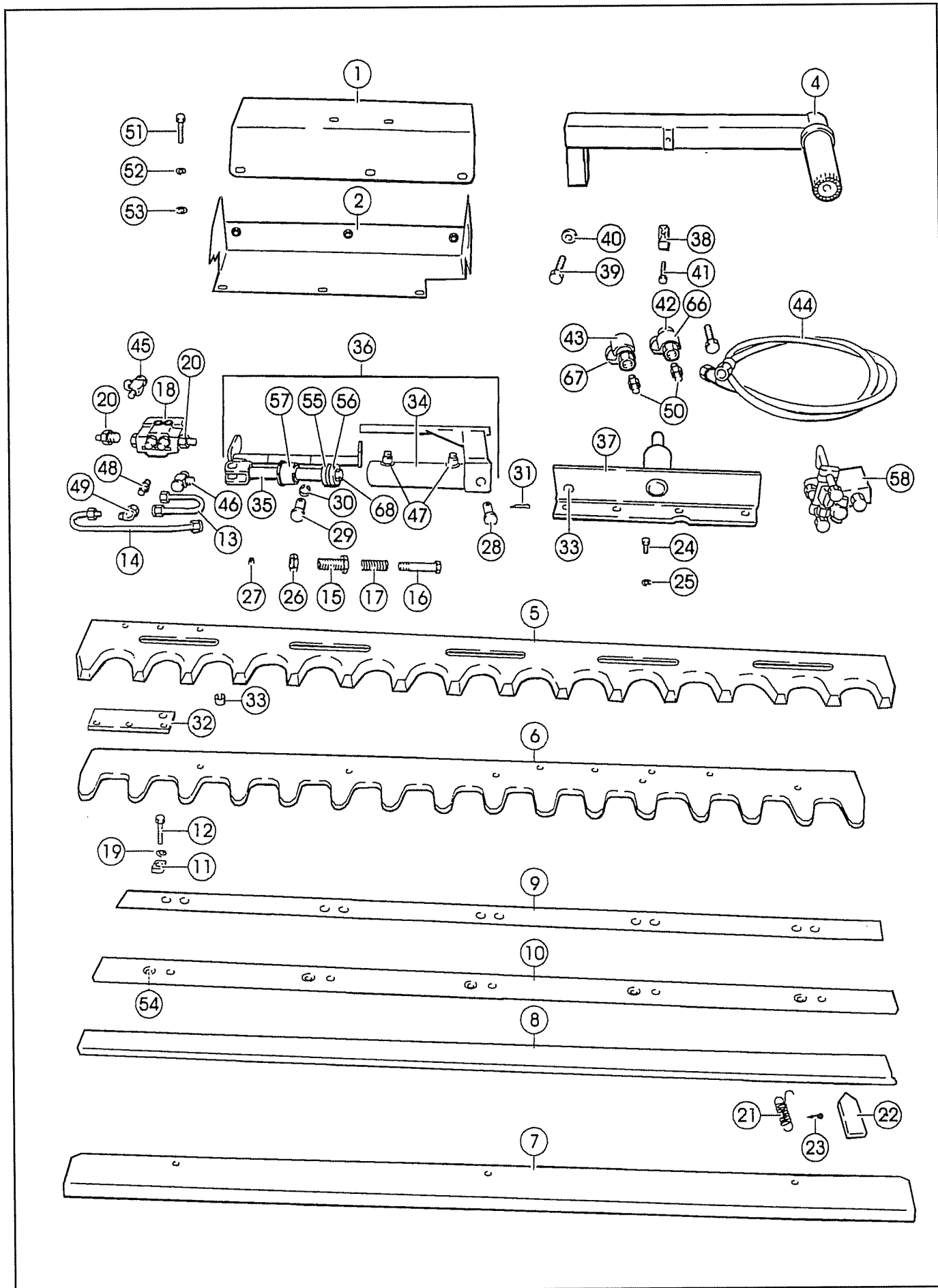
*PAGE AND ILLUSTRATION NUMBERS ARE USED ONLY FOR REFERENCE PURPOSES
AND SHOULD NOT BE USED FOR ORDERING SPARE PARTS.
PLEASE ENSURE THE CORRECT PART NUMBER AND DESCRIPTION
IS GIVEN WHEN ORDERING SPARES.*

IMPORTANT

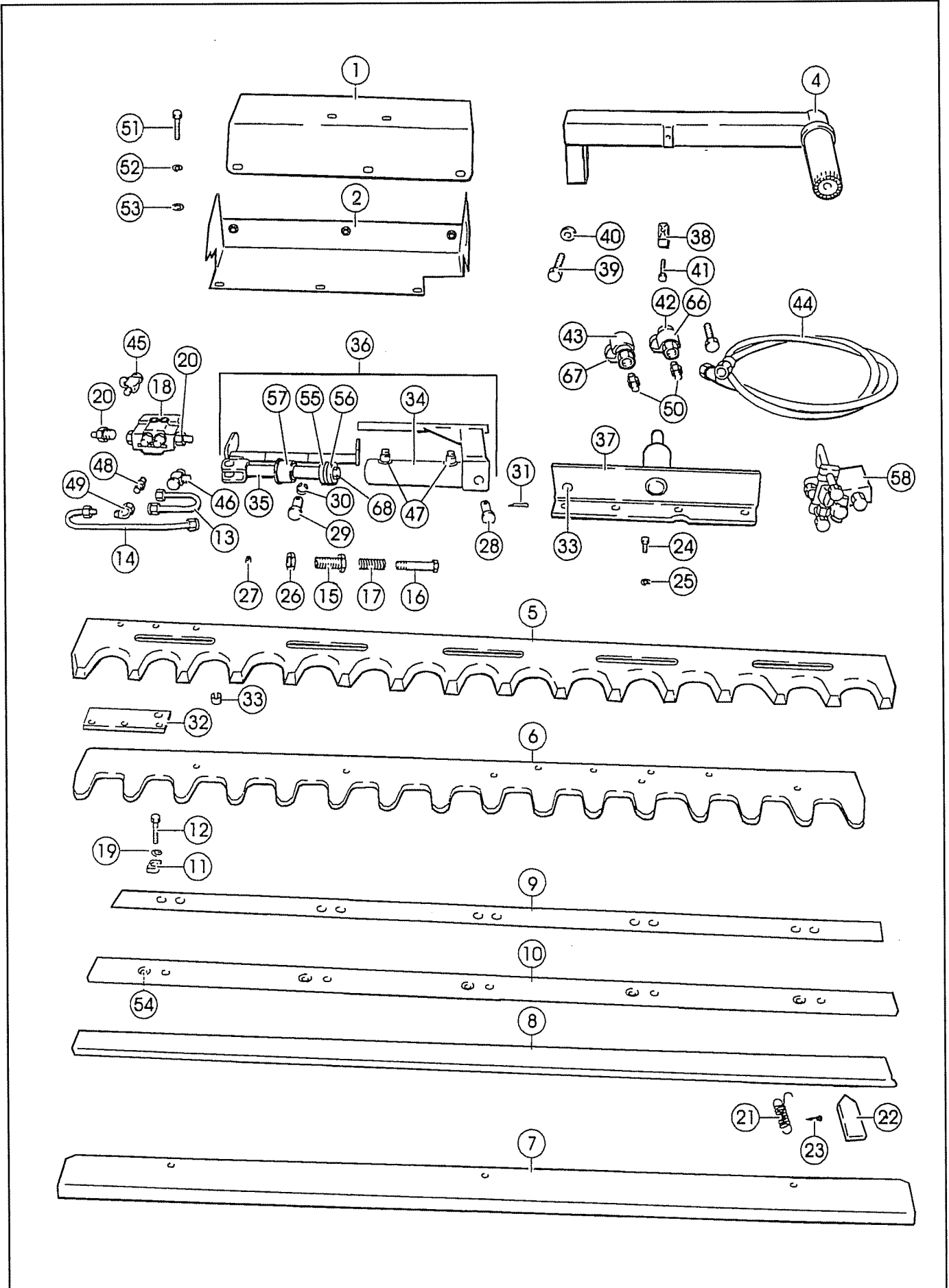
THIS EQUIPMENT IS FOR VEGETATION CONTROL AND MUST NOT BE USED FOR ANY OTHER PURPOSE.

**IT IS POTENTIALLY HAZARDOUS TO FIT OR USE ANY PARTS OTHER THAN
GENUINE BOMFORD TURNER PARTS**

**THE COMPANY DISCLAIMS ALL LIABILITY FOR THE CONSEQUENCES OF SUCH USE WHICH,
IN ADDITION, VOIDS THE MACHINE WARRANTY**



REF	PART NO	DESCRIPTION	QTY
76.680.01 CUTTER BAR ASSY			
	90.015.06 /05		
	2.2 1.35		
1	1326DK 1326DK	GUARD - TOP	1
2	1325DK 1325DK	GUARD - BOTTOM	1
4		BRACKET	1
5	1304DK	KNIFE - TOP	1
6	1303DK	KNIFE - BOTTOM	1
7	1328DK	KNIFE PROTECTION	1
8	1309DK	DEFLECTOR	1
9	1307DK 1307.1DK	SLIDE BAR	1
10	1308DK	STRIP	1
11	1305DK 1305DK	GUIDE	3/5
12	1310DK 1310DK	BOLT M16	3/5
13		PIPE	1
14		PIPE	1
15	1323DK 1323DK	BOLT - ADJUSTER	2
16		BOLT- M10	2
17		SPRING - REVERSING MECHANISM	2
18	1314DK 1314DK	REVERSING VALVE	1
19		LOCK WASHER	2
20	1315DK 1315DK	NUT WITH SEAL	2
21	1327DK 1327DK	SPRING (BLADE COVER)	2/3
22		BLADE COVER	2
23		SCREW 4, 8 x 16	8
24		HEXAGONAL BOLT GALVANISED M16	7
25		LOCK WASHER GALVANISED	7
26		NUT M20	2
27		NUT M10	2
28		BOLT	1
29		BOLT	1
30		STEEL BUSH	4
31		SPLIT PIN	2
32	1306DK 1306DK	FASTENING PLATE	1
33		STEEL BUSH	2
34	1311DK 1311DK	CYLINDER BARREL WITH BRACKET	1
35	1312DK 1312DK	PISTON ROD	1
36	1313DK 1313DK	RAM ASSEMBLY COMPLETE	1
37	1302DK 1302DK	BRACKET	1
38		HOSE CLAMP	1
39		BOLT, GALVANIZED M20	1
40		WASHER GALVANIZED	1
41		BOLT, GALVANIZED M8	1
42		QUICK RELEASE COUPLING 340451	1
42		ADAPTOR QUICK RELEASE COUPLING 340450	1
43		QUICK RELEASE COUPLING 340472	1
43		ADAPTOR QUICK REALEASE COUPLING 340471	1
44	1321/22 1321/22	HOSE	2
44		HOSE	2



REF	PART NO	DESCRIPTION	QTY
	90.015.06 /05		
	2.2 1.35		
45	1320 1320	ADAPTOR 18 X 1,5	2
46		ADAPTOR 18 X 1,5	1
47		ADAPTOR 16 X 1,5	2
48		ADAPTOR 18 X 1,5	1
49		ELBOW	1
50		ADAPTOR	2
51		HEXAGONAL BOLT GALVANIZED	9
52		LOCK WASHER GALVANIZED	9
53		WASHER GALVANIZED	9
54	05.953.01 05.953.01	GREASE NIPPLE	5
55	1313/F 1313/F	PISTON	1
56	1313/A 1313/A	SEAL	1
57	1313/B 1313/B	GLAND NUT	1
58		OIL DIVIDER COMPLETE	1
58		OIL DIVIDER WITHOUT ADAPTOR	1
58		ADAPTOR 15 LR 1/2"	3
58		ADAPTOR 15L 15 L	1
58		ADAPTOR	1
58		ADAPTOR	1
58		ADAPTOR	1
58		ADAPTOR	1
58		CLAMP WITH RETAINING PLATE, SCREW AND WASHER	2
58		HD-PIPE HEAD (PRESSURE) P TO OIL DIVIDER	1
58		HD-PIPE RETURN, OIL DIVIDER - EVT	1
58		HD-PIPE, CONNECTION OIL DIVIDER - VENTIL P	1
66		CAP FOR 340451 QUICK RELEASE COUPLING	1
66		CAP FOR 340450 QUICK RELEASE COUPLING	1
67		CAP FOR 340472 QUICK RELEASE COUPLING	1
67		CAP FOR 340471 QUICK RELEASE COUPLING	1
68		NUT M20 (PISTON ROD)	1