

PM 1718

***ROTARY
SLASHER***

RS15, RS18, RS21

PARTS MANUAL

RS RANGE OF ROTARY SLASHERS

NOTE: PAGE ILLUSTRATION NUMBERS SHOWN ARE USED ONLY FOR REFERENCE PURPOSES AND SHOULD NOT BE USED FOR ORDERING SPARE PARTS.

PLEASE ENSURE THE CORRECT PART NUMBER AND DESCRIPTION IS GIVEN WHEN ORDERING SPARE PARTS.

FOR MACHINES WITH SERIAL NUMBERS COMMENCING FROM:

Page No.	Title
2-1 TO 2-4	RS 12 ROTARY SLASHER
3-1	RS 12 GEARBOX
4-1 TO 4-2	RS 15 ROTARY SLASHER
5-1 TO 5-2	RS 18 ROTARY SLASHER
6-1 TO 6-2	RS 15-18 GEARBOX
7-1	RS 15-18 PTO AND SLIP CLUTCH
8-1 TO 8-4	RS 21 ROTARY SLASHER
9-1	RS 21 GEARBOX
10-1	RS 21 PTO AND SLIP CLUTCH
11-1	DECALS

IMPORTANT

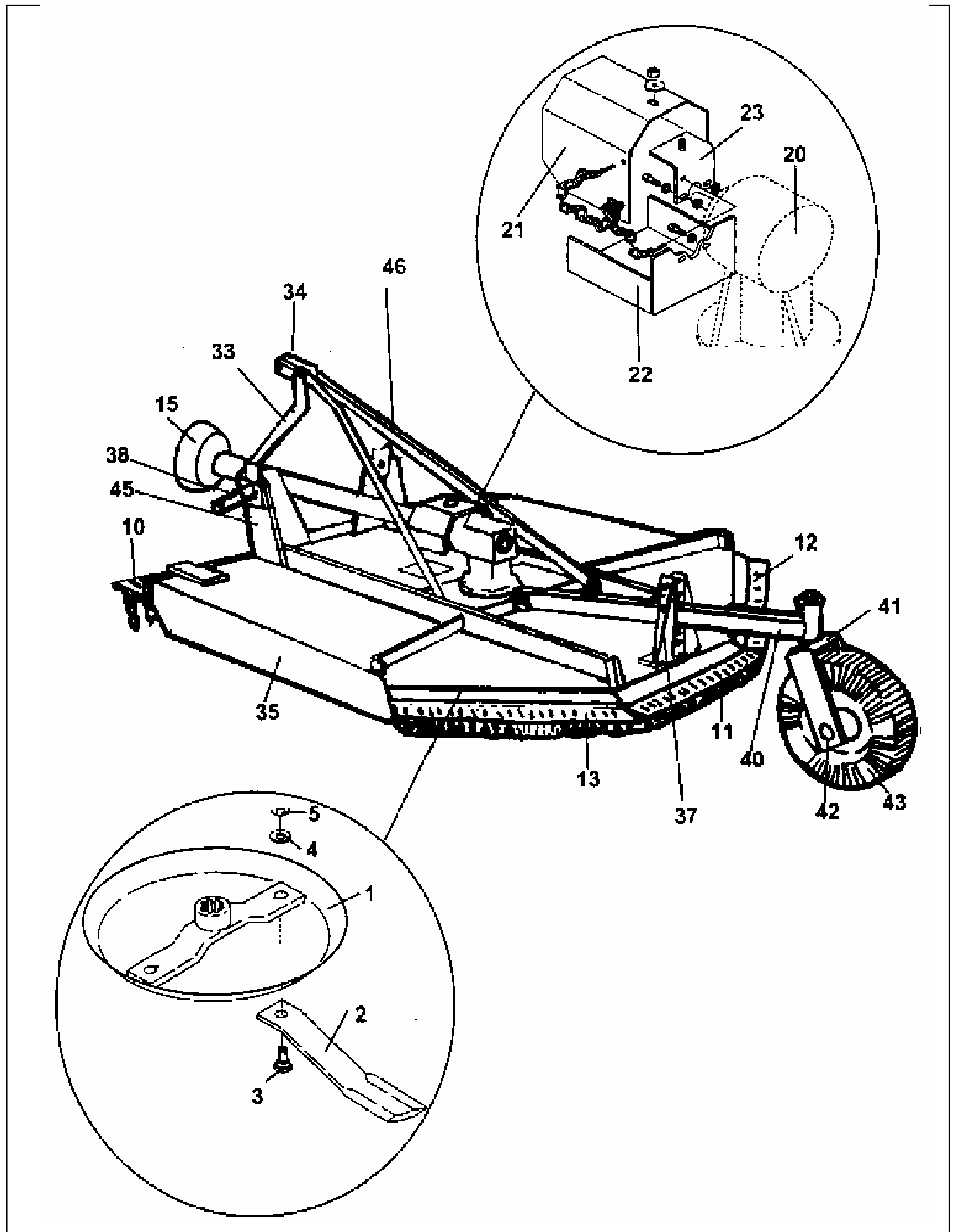
THIS MACHINE IS FOR VEGETATION CONTROL AND
MUST NOT BE USED FOR ANY OTHER PURPOSE

IT IS POTENTIALLY HAZARDOUS TO FIT OR USE
ANY PARTS OTHER THAN **GENUINE BOMFORD TURNER PARTS**

THE COMPANY DISCLAIMS ALL LIABILITY FOR THE
CONSEQUENCES OF SUCH USE WHICH, IN ADDITION,
VOIDS THE MACHINE WARRANTY

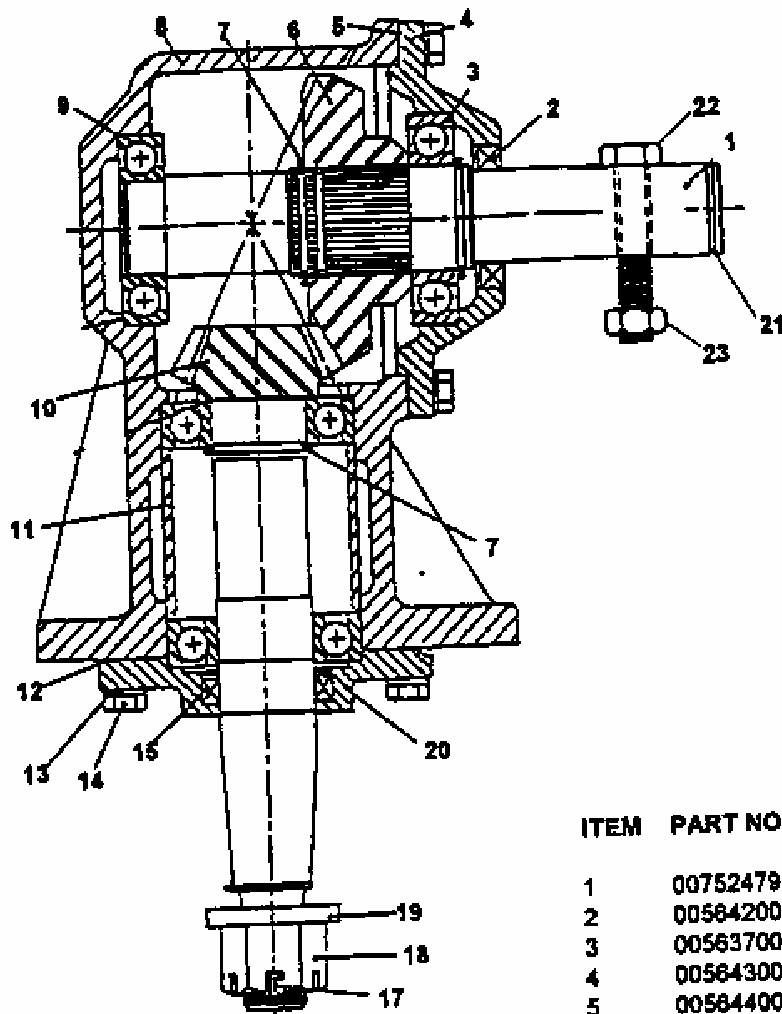
REF	PART NO.	DESCRIPTION	QTY
	76.243.01	RS 12 SLASHER-01) (Prior to Serial No 1721M	
00	05.281.02	FLAT WASHER 10MM PLATED FORM C	4
*01	00766165	DISHPAN	1
*02	00764666	BLADE ANTICLOCKWISE	2
*03	00761402	BOLT	2
*04	00761535	WASHER	2
*05	0141008	NUT 7/8" UNF AERO STANDARD	2
*10	0911100100M	GUARD FRONT	1
*11	00761589M	GUARD REAR CNTR	1
*12	00761591M	GUARD REAR RH	1
*13	00761590M	GUARD REAR OUTER LH MOD'D	1
14	0212325	BOLT 1/2" UNC x 4" LONG	4
*14	0901100102	MOUNTING FLAT	2
*15	00759161A	PTO SHAFT	1
20	00758654	BREATHER GEARBOX 1/2" BSP	1
*20	00761655	GEARBOX INC SLOTTED NUT	1
*21	00764254	SHIELD PLATE	1
*22	00762985	BOTTOM BRACKET	1
23	7540	BRACKET HOOD	1
26	41748.01	DECAL RS-12	2
27	41346.01	STRAP - TRANSPORT	1
28	41.145.02	DECAL - BOMFORD 40MM	2
29	41.145.01	DECAL - BOMFORD 65MM	2
*30	00764839	BAR A-FRAME	2
*33	00765325	BRACE STRIP	2
*34	00757949	BAR TOP LINK	1
35	00.372.01	LINCH PIN	2
*35	00766164	MAINFRAME WELDMENT	1
35	05.227.01	HAMMER DRIVE SCREW NO.6 X 3/8"	2
35	05.774.05	SERIAL No.PLATE BOMFORD TURNER	1
36	00766542	BUSH	1
*38	00603500	HITCH PIN	2
38	00.372.01	LINCH PIN	2
*39	1028006	PLATE COVER	1
39	1028007	STRIP-TAPPED	1
*40	0911020100	BEAM ASSEMBLY	1
*41	0911030100	CASTER FORK	1
*42	0911030300	PIN	1
*43	00130010	TAILWHEEL -	1
43	00013701	BEARING	2
43	00765337	SPACER	1
43	00013600	SEAL	2

***MAIN PART IN GROUP, RELATED PARTS HAVE SAME REFERENCE NUMBER**

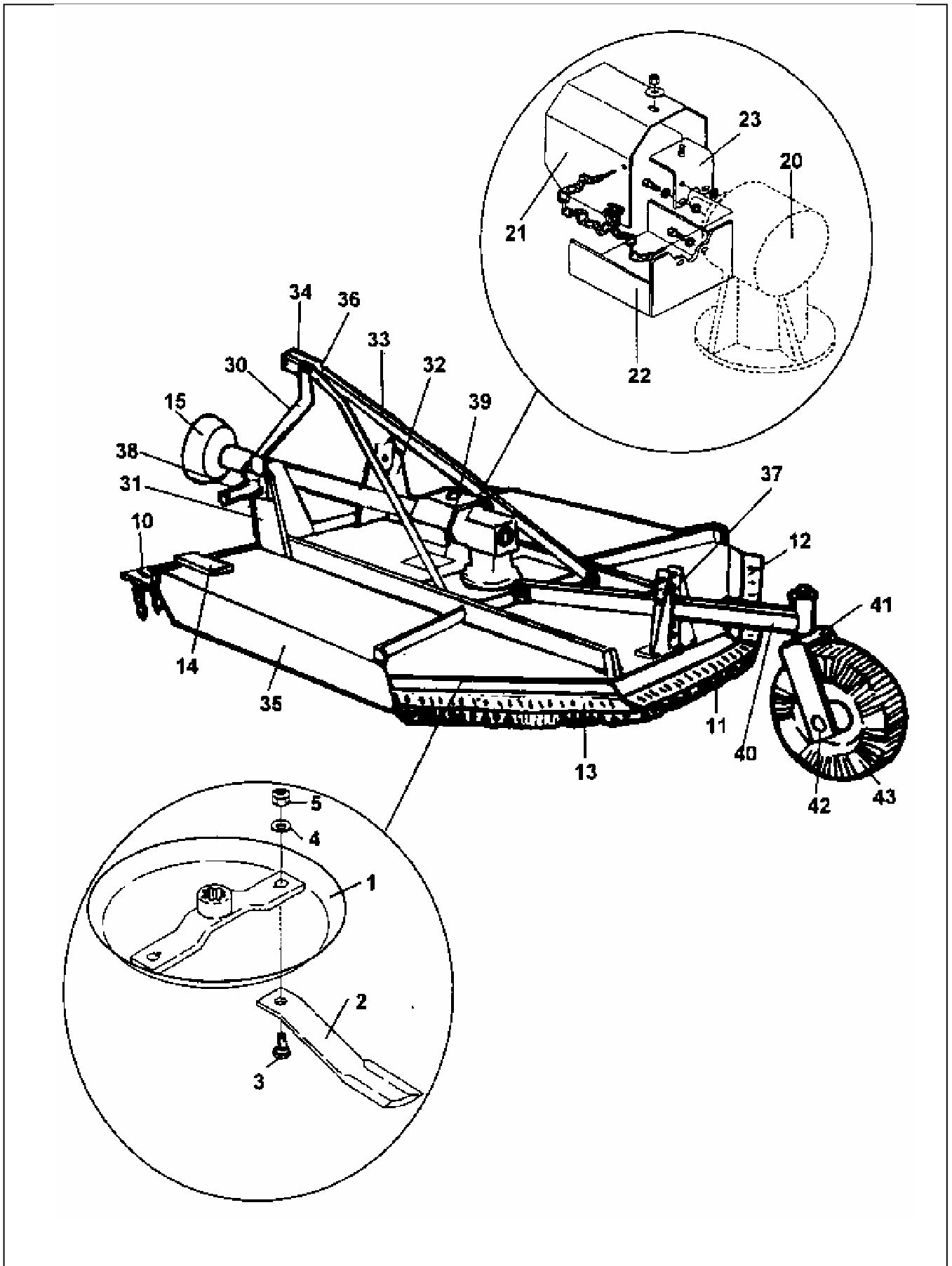


REF	PART NO.	DESCRIPTION	QTY
	76.243.02	RS 12 SLASHER (From Serial No. 1722M-01)	
01	00766590R	DISHPAN	1
02	1046008	BLADE ANTICLOCKWISE	2
03	00761402	BOLT	2
04	15B1400	WASHER	2
05	0141008	NUT 7/8" UNF AERO STANDARD	2
10	45610.04	GUARD FRONT	1
11	45610.01	GUARD REAR CNTR	1
12	45610.02	GUARD REAR RH	1
13	45610.03	GUARD REAR LH	1
15	00759161A	PTO SHAFT	1
20	00758654	BREATHER GEARBOX 1/2" BSP	1
*20	00761655	GEARBOX INC SLOTTED NUT	1
20	7192	CIRCLIP	1
*21	45641.01	GUARD	1
*22	00762985A	BOTTOM BRACKET	1
23	45641.02	BRACKET GUARD	1
26	41748.01	DECAL RS-12	2
27	41346.01	STRAP - TRANSPORT	1
28	41.145.02	DECAL - BOMFORD 40MM	2
29	41.145.01	DECAL - BOMFORD 65MM	2
33	00766505	BAR "A" FRAME	2
*34	00757949R	TOP LINK	1
34	00766542	BUSHING "A" FRAME	1
34	37107B12	TOP LINK PIN	1
*35	00773755R	MAINFRAME	1
35	05.227.01	HAMMER DRIVE SCREW NO.6 X 3/8"	2
35	05.774.05	SERIAL No.PLATE BOMFORD TURNER	1
37	00766611	GAUGE WHEEL MOUNT	1
*38	00603500	WRIST PIN	2
38	00.372.01	LINCH PIN	2
38	00012200	LOCKNUT WASHER	2
38	00603600	NUT	2
40	45619.01	BEAM - TAIL WHEEL	1
41	00773565R	FORK - TAIL WHEEL	1
42	0911030300	SPINDLE - TAIL WHEEL FORK	1
*43	00773567	TAILWHEEL & TYRE -	1
43	00013701	BEARING CONE	2
43	00765337	SPACER	1
43	00013600	SEAL	2
45	00774269R	LUG - HITCH	2
*46	00766610	MOUNTING FLAT	1
46	00773564R	BRACE - REAR	2

*MAIN PART IN GROUP, RELATED PARTS HAVE SAME REFERENCE NUMBER

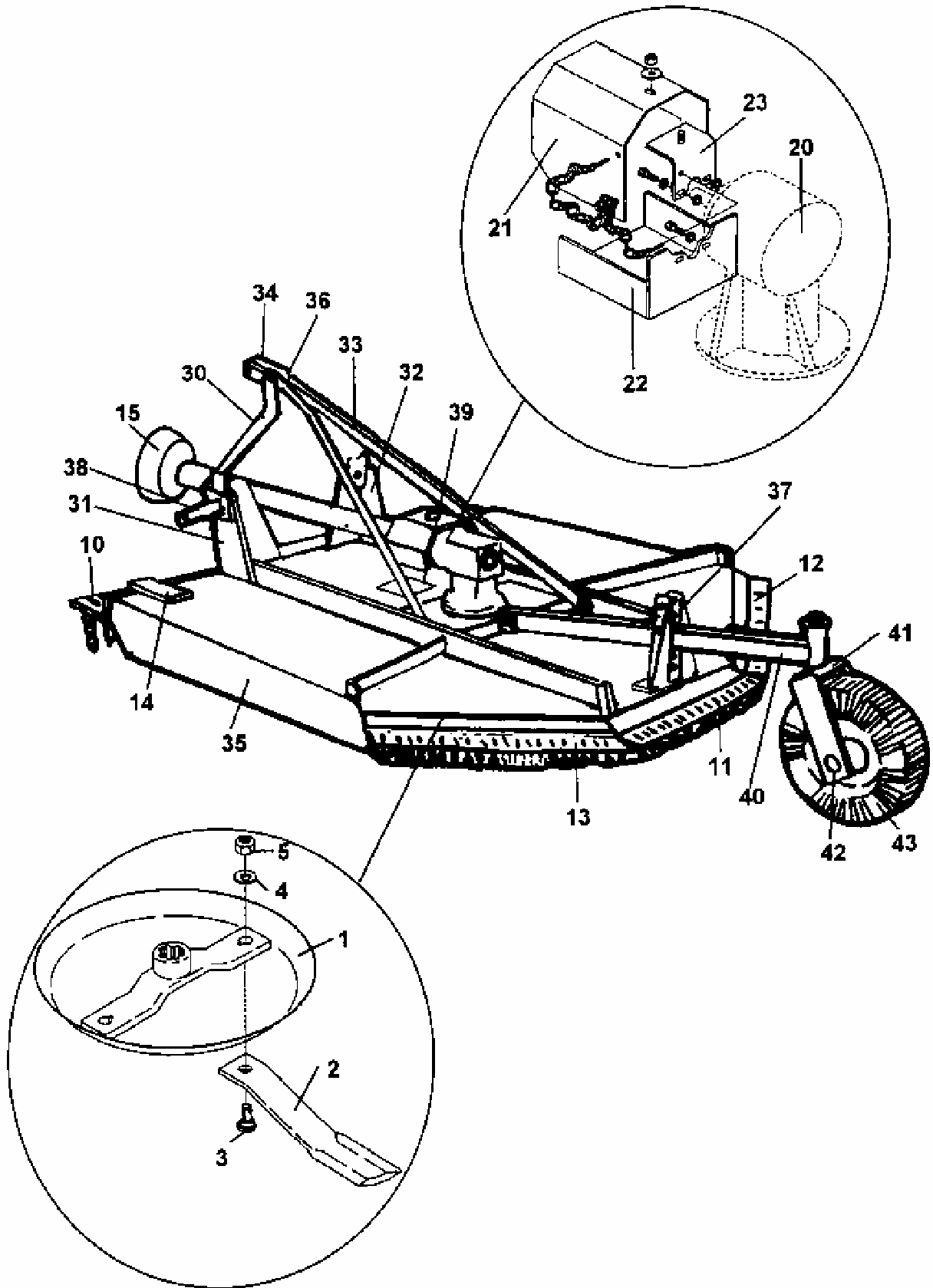


ITEM	PART NO.	QTY	DESCRIPTION
1	00752479	1	Input Shaft
2	00584200	1	Seal
3	00583700	3	Ball Bearing
4	00584300	1	Input Cap
5	00584400	AR	Gasket
6	00752481	1	Input Gear
7	00584100	3	Retaining Ring
8	00583900	1	Housing
9	00584800	1	Bearing
10	00752480	1	Output Pinion & Shaft
11	00757662	1	Bearing Spacer
12	00760928	AR	Gasket .25
	00760929	AR	Gasket .10
13	02181100	10	Lockwasher
14	00011400	10	Bolt
15	00583500	1	Seal
17	05-03-165	1	Cotter Pin
18	7202	1	Slotted Nut
19	01-00-109	1	Washer
20	00757683	1	Output Cap
21	7192	1	Circlip
22	7A81324	1	Shear Bolt
23	00001800	1	Locknut

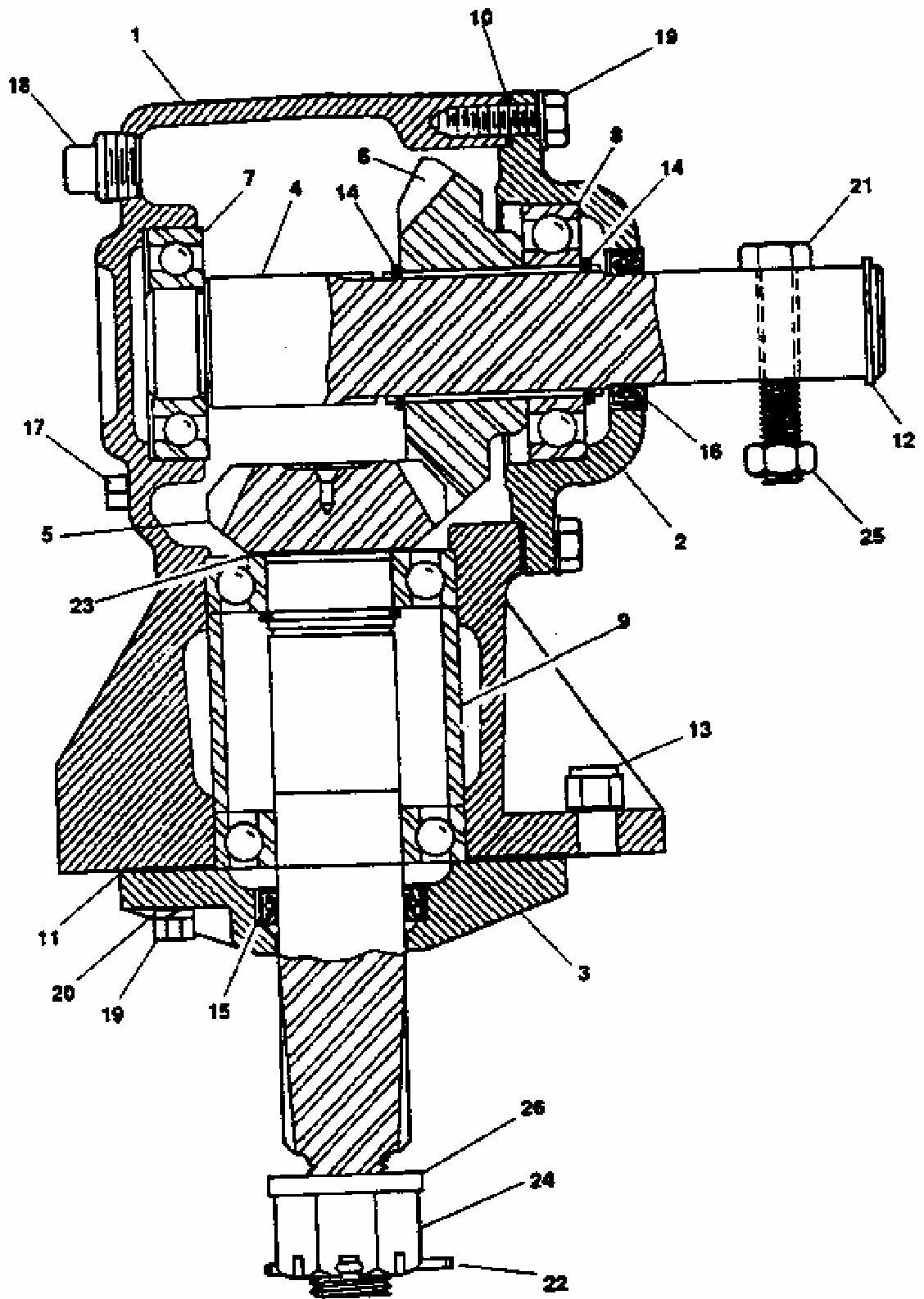


REF	PART NO.	DESCRIPTION	QTY
76.234.01 RS-15 ROTARY SLASHER 5163			
*01	00766590	BLADE PAN	1
01	05.964.01	SPRING COTTER 3.6MM DIA	1
02	00764665	BLADE SE-5 ANTICLOCKWISE	2
03	00761402	BOLT	2
04	00761535	WASHER	2
05	0141008	NUT 7/8" UNF CLEVELOCK	2
10	00766575	CHAINGUARD FRONT	1
11	00766560	CHAINGUARD REAR CENTRE	1
12	00766564	CHAINGUARD REAR RH	1
13	00766567	CHAINGUARD REAR LH	1
14	00766610	MOUNTING FLAT	1
*15	00759318	PTO SHAFT SE-5	1
15	43204.01	SLIPCLUTCH ASSY RS15/18	0
20	00758654	BREATHER GEARBOX 1/2" BSP	1
*20	0711050100	GEARBOX INC SLOTTED NUT	1
21	00766581	PLATE 2 - 606 X 305	1
22	00766526	PLATE BRKT BOTTOM	1
23	00766559	HOOD BRACKET	1
30	00766505	BAR "A" FRAME	2
*31	00766586	PLATE HITCH EAR LH	1
31	05.264.24	SETSCREW M12 X 35MM PLATED	4
31	05.264.25	SETSCREW M12 X 40MM PLATED	2
31	05.281.03	FLAT WASHER 12MM PLATED	1
31	05.287.03	SELF-LOCKING NUT M12 PLATED	3
32	00766587	PLATE HITCH EAR RH	1
33	00766506	BAR LIFT STRAP	2
34	00766540	LINK TOP	1
35	00766609	WELDMENT DECK	1
36	00766542	BUSHING "A" FRAME	1
*37	00766611	GAUGE WHEEL MOUNT	1
37	05.281.14	FLAT WASHER 14MM	4
37	05.968.06	S.LOCKING NUT M14 (FINE) PLATE	4
37	9200016	M14 X 1.5 SETSCREW 40 LG	4
*38	00.372.01	LINCH PIN	2
38	00603500	WRIST PIN	2
39	05.264.12	SETSCREW M10 X 25MM PLATED	2
*39	1028006	PLATE COVER	1
39	1028007	STRIP TAPPED	1
40	00766517	TAILWHEEL BEAM	1
41	00766523	CASTOR FORK	1
42	0891030300	PIN	1
42	5JRC16140	LOCKNUT	1
43	00013600	SEAL	0
*43	00130010	WHEEL TYRE / INNER RACES	1
43	00750621	BEARING) order	0
43	00013701	BEARING CONE) both	0
43	00765337	SPACER	2
43	05.953.01	GREASE NIPPLE M6	1
43	41346.01	STRAP - TRANSPORT	1
43	9213266	M12 X 130MM HEX.HD.BOLT HT	4
45	42255.01	SPACER - FRONT GUARD	2

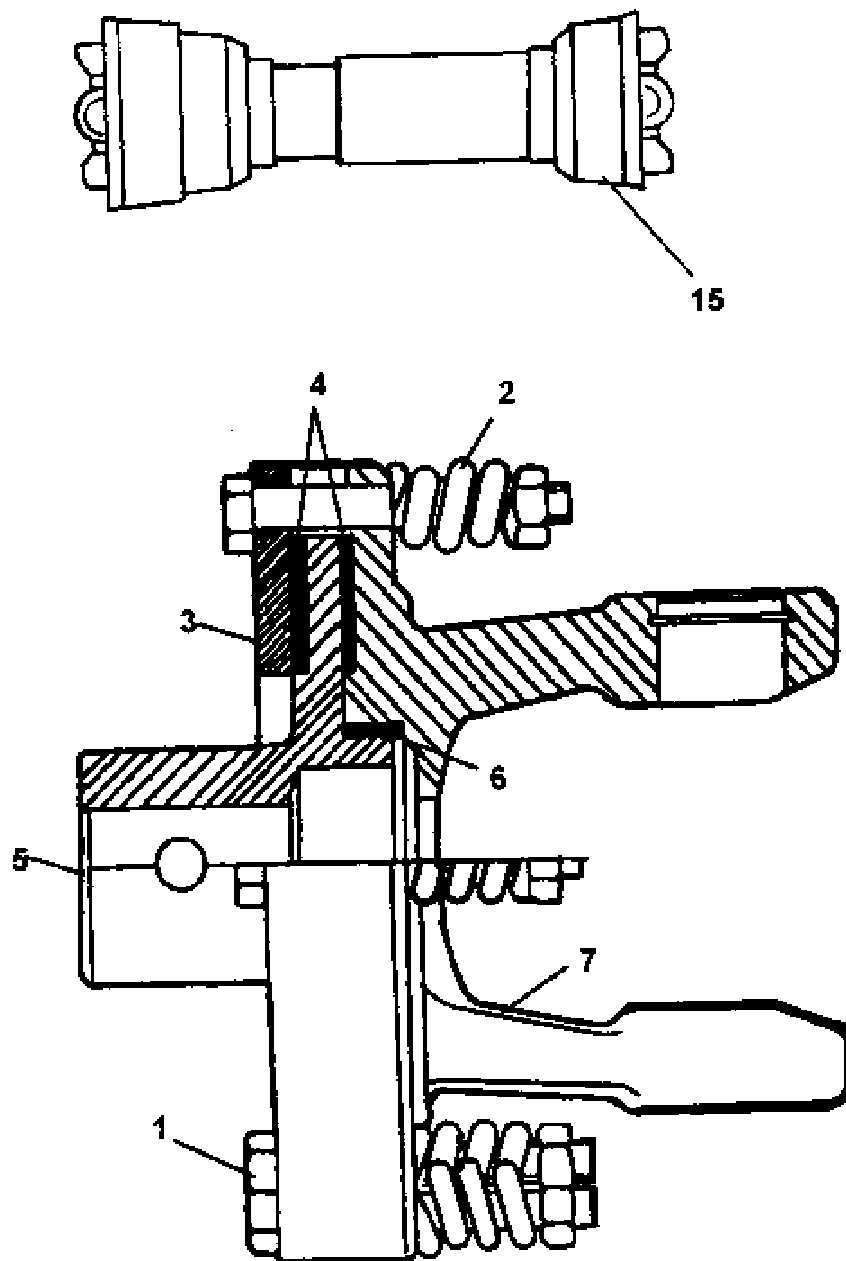
***MAIN PART IN GROUP, RELATED PARTS HAVE SAME REFERENCE NUMBER**



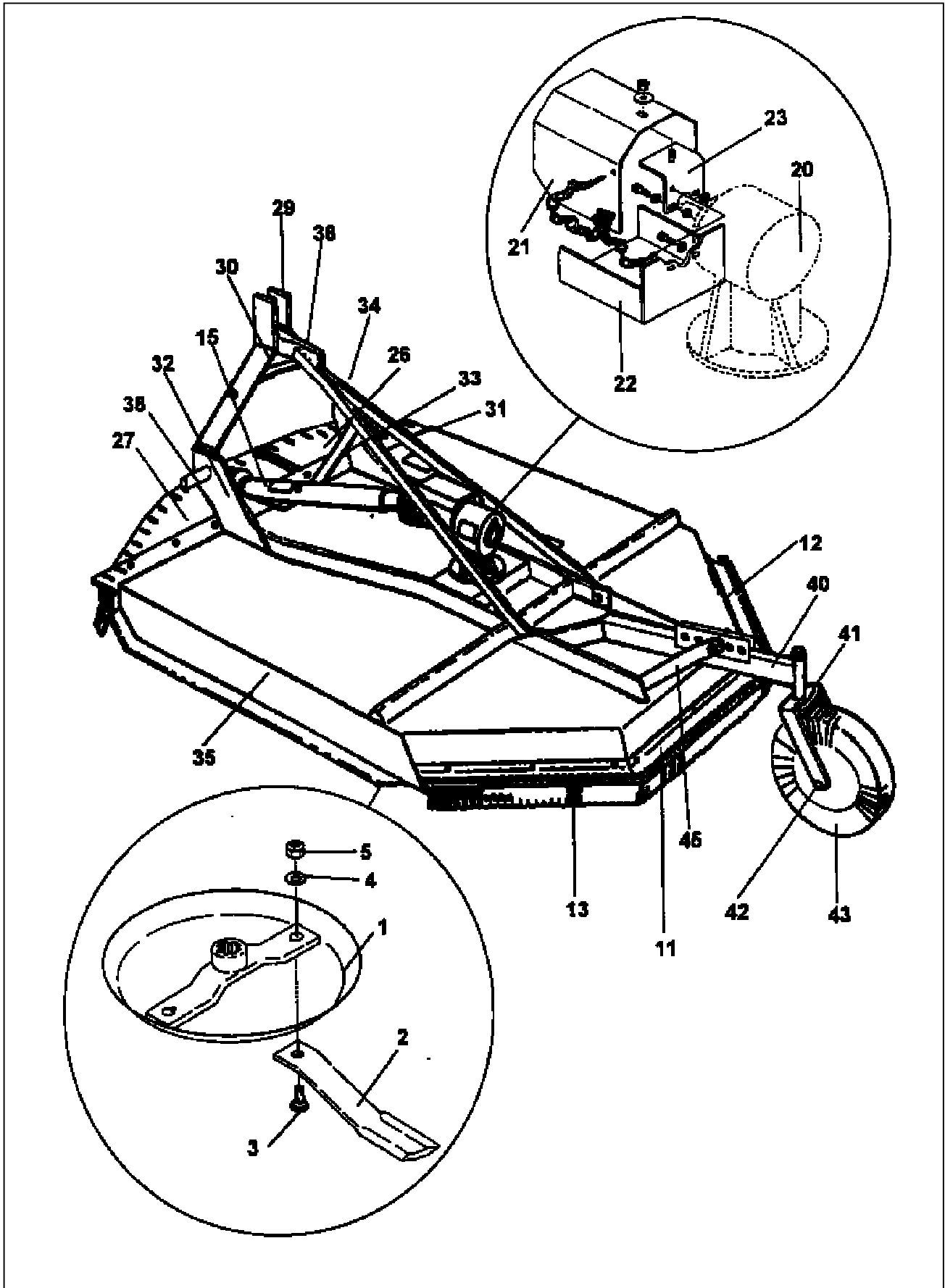
REF	PART NO.	DESCRIPTION	QTY
	76.236.01	RS 18 ROTARY SLASHER	
01	00766638 ▲	BLADE PAN	1
01	00770064	BLADE PAN	1
02	00764667 ▲	BLADE	2
02	1046006	BLADE	2
03	00761402	BOLT	2
04	00761535	WASHER	2
05	0141008	NUT 7/8" UNF AERO STANDARD	2
10	00766539	CHAINGUARD FRONT	1
11	00766529	CHAINGUARD REAR CENTRE	1
12	00766522	CHAINGUARD REAR RH	1
13	00766527	CHAINGUARD REAR LH	1
14	00766536	MOUNTING FLAT	2
15	00759318	PTO SHAFT	1
20	00758654	BREATHER GEARBOX 1/2" BSP	1
*20	0711050100	GEARBOX INC SLOTTED NUT	1
21	00766581	PLATE SHIELD	1
22	00766526	PLATE BRKT BOTTOM	1
23	00766559	HOOD BRACKET	1
30	00766595	BAR "A" FRAME	2
*31	00766586	PLATE HITCH EAR LH	1
31	05.264.24	SETSCREW M12 X 35MM PLATED	4
31	05.264.25	SETSCREW M12 X 40MM PLATED	2
31	05.281.03	FLAT WASHER 12MM PLATED	1
31	05.287.03	SELF-LOCKING NUT M12 PLATED	3
32	00766587	PLATE HITCH EAR RH	1
33	00766591 ▲	BAR LIFT STRAP	2
33	00766540	BAR LIFT STRAP	2
34	00766540	LINK TOP	1
35	00766632 ▲	WELDMENT DECK	1
35	00766632R	WELDMENT DECK	1
36	00766542	BUSHING "A" FRAME	1
*37	00766611	GAUGE WHEEL MOUNT	1
37	00766610	MOUNTING FLAT	1
37	05.281.14	FLAT WASHER 14MM	4
37	05.292.21	BOLT M12 X 80MM PLATED	2
37	05.968.06	S.LOCKING NUT M14 (FINE) PLATE	4
37	9200016	M14 X 1.5 SETSCREW 40 LG	4
38	00.372.01	LINCH PIN	2
*38	00603500	WRIST PIN	2
39	05.264.12	SETSCREW M10 X 25MM PLATED	2
39	05.294.03	SHAKEPROOF WASHER 3/8" PLATED	2
*39	1028006	PLATE COVER	1
39	1028007	STRIP TAPPED	1
40	00766588 ▲	TAILWHEEL BEAM	1
40	00771599	TAILWHEEL BEAM	1
41	00766523	CASTOR FORK	1
42	00766603	SPINDLE C/W LOCK NUT	1
*43	00130010	WHEEL TYRE / INNER RACES	1
43	00013701	BEARING CONE) order	20
43	00750621	BEARING) both	0
43	00765337	SPACER	1
43	00013600	SEAL	2
43	05.953.01	GREASE NIPPLE M6	1
43	0891030300	PIN	1
45	42255.01	SPACER - FRONT GUARD	2
46	41346.01	STRAP - TRANSPORT	1



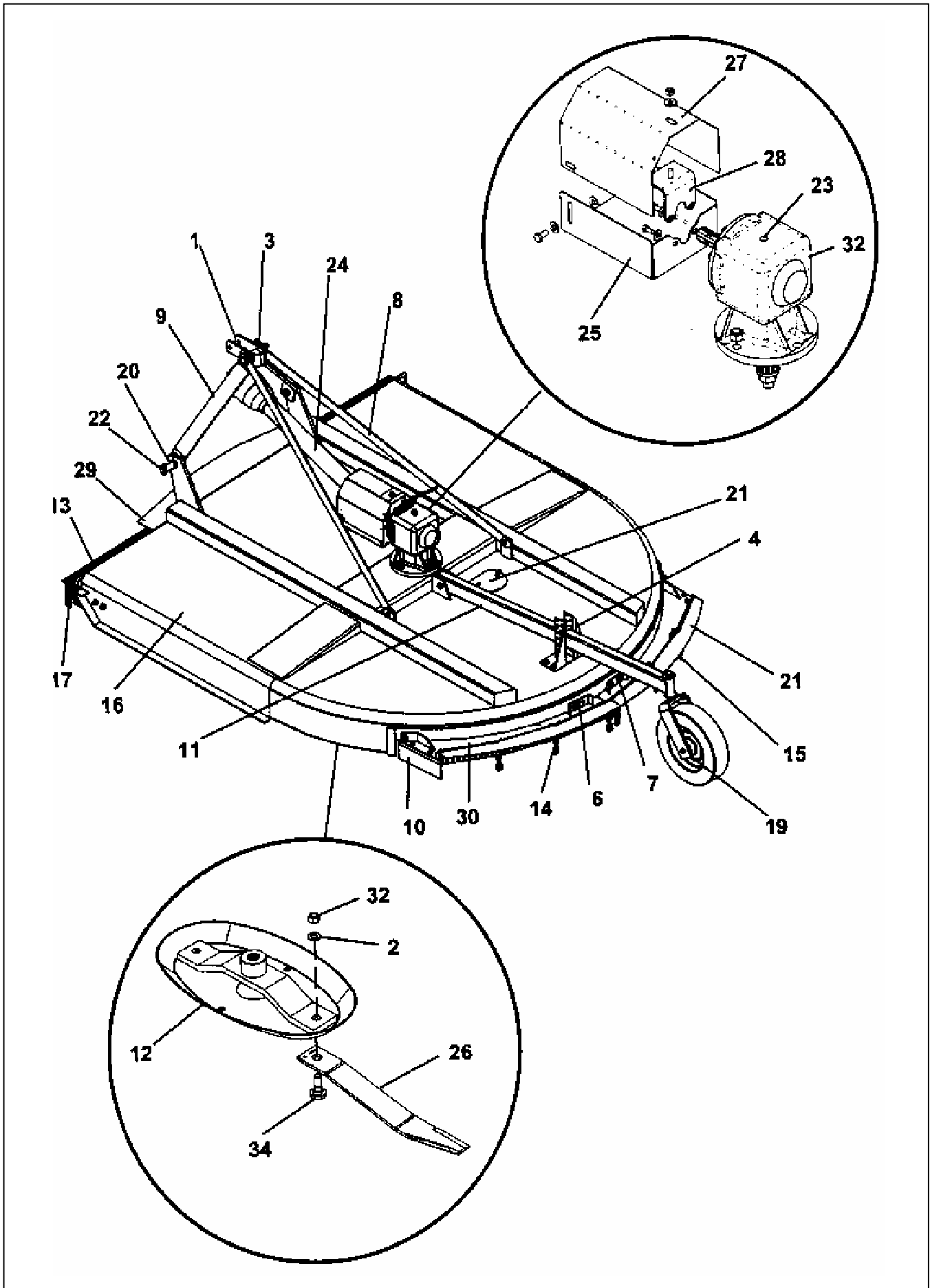
ITEM	PART NO.	QTY.	DESCRIPTION
1	00563900	1	MAIN HOUSING
2	00564300	1	FRONT HOUSING
3	00757683	1	BEARING RETAINER CAP
4	00564700	1	SHAFT, INPUT
5	00564000	1	SHAFT & PINION GEAR
6	00564600	1	INPUT GEAR
7	00564800	1	BALL BEARING
8	00563700	3	BALL BEARING
9	00757682	1	BEARING SPACER
10	00564400	AR	SHIMS
11	00760929	AR	GASKET .25
-	00760928	AR	GASKET .1
12*	7192	1	RETAINING RING
13	02956948	4	LOCKNUT
14	00564100	3	RETAINING RING
15	00563500	1	OIL SEAL
16	00564200	1	OIL SEAL
17	00565000	1	PIPE PLUG
18	00749508	1	PIPE PLUG
19	00011400	6	BOLT
20	02161100	10	LOCKWASHER, EXT. TOOTH
21*	02-12-245	1	BOLT
22	05-03-245	1	COTTER PIN
23	00758671	AR	SHIM - GEAR
24	7202	1	HEX SLOTTED NUT
25*	00001800	1	LOCKNUT
26	6192	1	FLAT WASHER SPECIAL



ITEM	PART NO.	QTY.	DESCRIPTION
1	-	8	NUT & BOLT
2	-	8	SPRING
3	-	1	OUTER FLANGE
4	00752902	2	FRICTION LINING
5	-	1	BODY
6	-	1	SPACER
7	-	1	YOKE
8	-	1	DIRT SHIELD
15	00759318	1	SHAFT ASSEMBLY



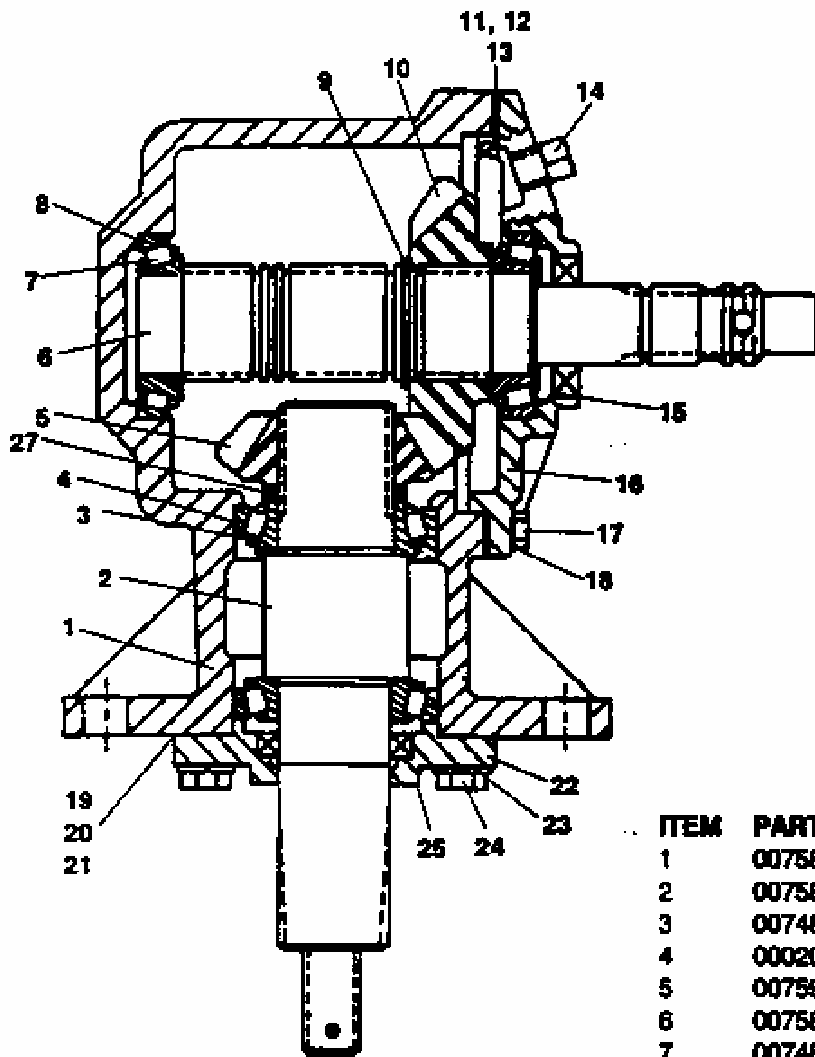
	76.244.01	RS 21 SLASHER	
01	00766159	DISHPAN W/ASSY	1
02	00764669	BLADE ANTICLOCKWISE	2
03	8251	BOLT	2
04	9216	WASHER	2
05	5JRC16140	LOCKNUT	2
11	7521M	GUARD REAR CNTR SE7 MOD'D	1
12	7528M	GUARD REAR R H SE7 MOD'D	1
13	7529M	GUARD REAR L H SE7 MOD'D	1
15	00761329	PTO SHAFT SE-7	1
20	00758654	BREATHER GEARBOX 1/2" BSP	1
*20	741031	GEARBOX SE-7	1
21	00764254	SHIELD PLATE	1
22	00762985	BOTTOM BRACKET	1
23	7540	BRACKET HOOD	1
26	00763040	GUARD FRONT R H SE7 MOD'D	1
27	00763041	GUARD FRONT L H SE7 MOD'D	1
29	8105	FRONT HITCH RH	1
30	8121	FRONT HITCH LH	1
31	8660	HITCH EAR RH	1
32	8661	HITCH EAR LH	1
33	8103	HITCH BRACE	2
34	7518	REAR BRACE	2
*35	00766158	MAINSHIELD W/ASSY	1
35	05.227.01	HAMMER DRIVE SCREW NO.6 X 3/8"	2
35	05.774.05	SERIAL No.PLATE BOMFORD TURNER	1
36	8659	TOP LINK	1
40	1028262	BEAM TAIL WHEEL	1
41	00762747	WHEEL MOUNT	1
42	0891030300	SPINDLE	1
43	0891030200	WHEEL	1
45	8665	ADJUSTING FLAT	2



76.397.68

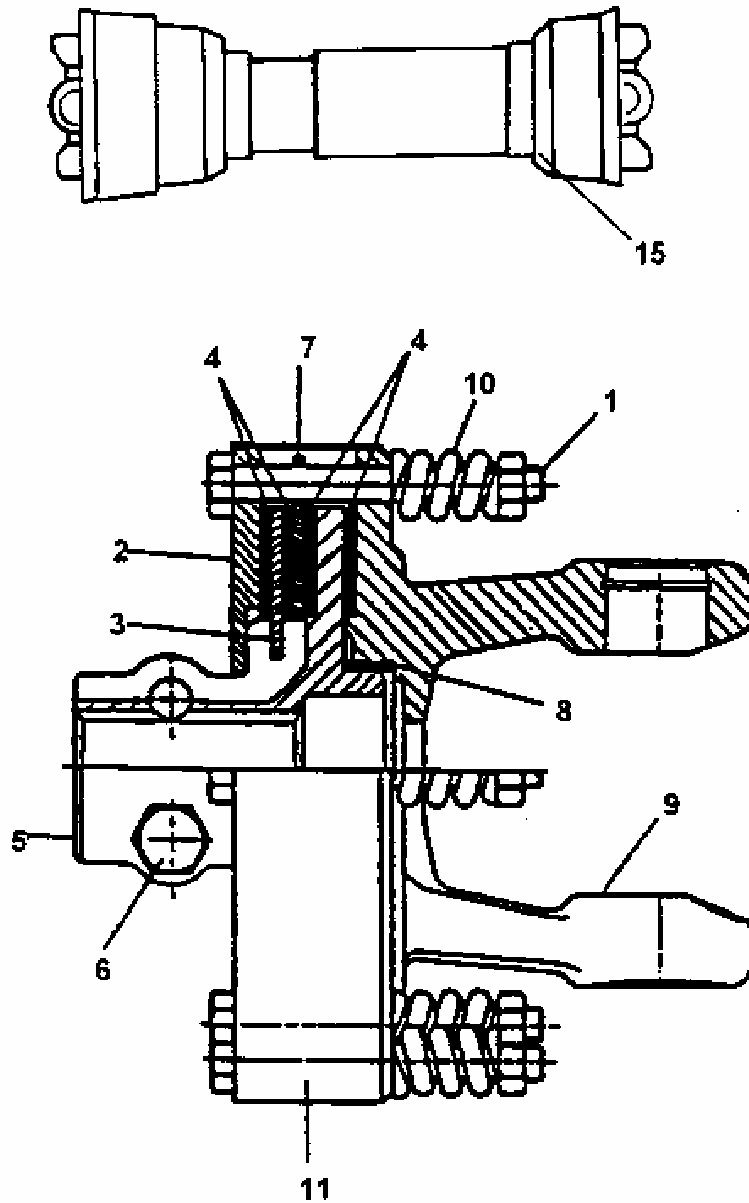
RS21 ROUND DECK ROTARY SLASHER

01	00757949	BAR TOP LINK	1
02	00758579	WASHER	2
03	00766542	BUSHING "A" FRAME	1
04	00766611	GAUGE WHEEL MOUNT	1
06	00773997	REAR CHAIN GUARD MOUNT PLATE	1
07	00773998	REAR CHAIN GUARD MOUNT PLATE	1
08	00776050	BAR LIFT STRAP	2
09	00776052	BAR A FRAME	2
10	00776055	CHAIN GUARD PLATE REAR	2
11	00776059	TAILWHEEL BEAM	1
12	00776060	BLADE PAN	1
13	00776065	CHAIN GUARD ASS'Y	2
14	00776066	CHAIN GUARD LH	1
15	00776067	CHAIN GUARD RH	1
16	00776070	DECK	1
17	00776078	CHAIN GUARD FRONT HALF	2
19	00776210	CASTER FORK & WHEEL	1
20	441027	PIN CAT II	2
21	5710121	COVER PLATE	1
22	00.372.01	LINCH PIN	2
23	00758654	BREATHER GEARBOX 1/2" BSP	1
24	00761329	PTO SHAFT	1
25	00762985A	GUARD	1
26	00764669	BLADE ANTICLOCKWISE	2
27	45641.01	GUARD	1
28	45641.12	BRACKET - PTO GUARD	1
29	45799.01	FRONT GUARD ASS'Y	1
30	45799.31	SKIRT PLATE	1
31	45799.32	SKIRT PLATE	1
32	5JRC16140	LOCKNUT	2
33	741031M	GEARBOX	1
34	8251	SPECIAL BLADE BOLT	



ITEM	PART NO.	QTY	DESCRIPTION
1	00758989	1	Housing
2	00758990	1	Output Shaft
3	00748522	2	Bearing Cone
4	00020600	2	Bearing Cup
5	00759055	1	Output Gear - 14 Teeth
6	00758991	1	Input Shaft
7	00748527	2	Bearing Cone
8	00748525	2	Bearing Cup
9	00748526	1	Retaining Ring
10	00759054	1	Input Gear - 17 Teeth
11	7010420	AR	Gasket 0.3
12	7010420	AR	Gasket 0.15
13	7010420	AR	Gasket 0.1
14	00753630	2	Pipe Plug
15	00753644	1	Seal
16	741035	1	Input Cap
17	00753642	8	Cap screw
18	00753633	8	Lockwasher
19	00748520	AR	Gasket 0.3
20	00748520	AR	Gasket 0.15
21	00748520	AR	Gasket 0.1
22	00752155	1	Output Cap
23	00753743	4	Lockwasher
24	00748823	4	Cap screw
25	00753634	1	Seal
26	00753631	1	Pipe Plug (Not Shown)
27	00758053	1	Spacer

AR - As Required



ITEM	PART NO.	QTY.	DESCRIPTION
1	00754199	8	NUT & BOLT
2	00754203	1	PRESSURE PLATE
3	00754201	1	INNER PLATE
4	00754202	4	CLUTCH LINING
5	00754300	1	CLUTCH BODY
6	00752903	2	BOLT & NUT SET
7	00754314	1	PLATE WITH HOLES
8	00754301	1	SPACER
9	00754302	1	YOKE
10	00754303	8	CLUTCH SPRING
15	00761329	1	SHAFT ASSEMBLY

REF	PART NO.	DESCRIPTION	QTY
	76.244.01	RS 21 SLASHER	
01	00766159	DISHPAN W/ASSY	1
02	00764669	BLADE ANTICLOCKWISE	2
03	8251	BOLT	2
04	9216	WASHER	2
05	5JRC16140	LOCKNUT	2
11	7521M	GUARD REAR CNTR SE7 MOD'D	1
12	7528M	GUARD REAR R H SE7 MOD'D	1
13	7529M	GUARD REAR L H SE7 MOD'D	1
15	00761329	PTO SHAFT SE-7	1
20	00758654	BREATHER GEARBOX 1/2" BSP	1
*20	741031	GEARBOX SE-7	1
21	00764254	SHIELD PLATE	1
22	00762985	BOTTOM BRACKET	1
23	7540	BRACKET HOOD	1
26	00763040	GUARD FRONT R H SE7 MOD'D	1
27	00763041	GUARD FRONT L H SE7 MOD'D	1
29	8105	FRONT HITCH RH	1
30	8121	FRONT HITCH LH	1
31	8660	HITCH EAR RH	1
32	8661	HITCH EAR LH	1
33	8103	HITCH BRACE	2
34	7518	REAR BRACE	2
*35	00766158	MAINSHIELD W/ASSY	1
35	05.227.01	HAMMER DRIVE SCREW NO.6 X 3/8"	2
35	05.774.05	SERIAL No.PLATE BOMFORD TURNER	1
36	8659	TOP LINK	1
40	1028262	BEAM TAIL WHEEL	1
41	00762747	WHEEL MOUNT	1
42	0891030300	SPINDLE	1
43	0891030200	WHEEL	1
45	8665	ADJUSTING FLAT	2

***MAIN PART IN GROUP, RELATED PARTS HAVE SAME REFERENCE NUMBER**

REF	PART NO.	DESCRIPTION	QTY
	76.235.01	DECALS	
01	09.811.04	DECAL - MAX PTO SPEED 540 ACW	1
02	09.821.01	DECAL - READ INSTRUCTION BOOK	1
03	09.821.10	DECAL - KEEP NUTS TIGHT	1
04	09.821.16	DECAL - KEEP OUT ZONE	1
05	09.821.17	DECAL - UNSUPPORTED MACHINE	1
06	09.821.18	DECAL - THROWN DEBRIS	1
08	09.821.19	DECAL - ROTARY HEAD DANGER	1
09	09.821.20	DECAL - SHAFT ENTANGLEMENT	1
10	00763612	TAG SLIP CLUTCH	1
10	09.821.22	DECAL - UNBLOCK HEAD(ROTARY)	1
11	09.837.02	DECAL - BOMFORD	2
13	05.227.01	HAMMER DRIVE SCREW NO.6 X 3/8"	2
12	09.837.01	DECAL - BOMFORD	2
13	00756004	DECAL - DRIVELINE MISSING	1
13	05.774.06	SERIAL NO.PLATE BOMFORD TURNER	1
14	41748.01	DECAL RS - 12	2
15	41748.02	DECAL RS - 15	2
16	41748.03	DECAL RS - 18	2
17	41748.03	DECAL RS - 21	2