

PM6012

RS RANGE
ROTARY SLASHERS

PARTS MANUAL
ISSUE 3

IMPORTANT

NOTE HERE THE SERIAL NUMBER OF YOUR MACHINE AND ALWAYS QUOTE IT IN ANY COMMUNICATION WITH US OR YOUR DEALER. THIS IS PARTICULARLY IMPORTANT WHEN ORDERING SPARES. REMEMBER TO INCLUDE ALL NUMBERS AND LETTERS.

MACHINE SERIAL NUMBERS _____

THE INFORMATION GIVEN THROUGHOUT THIS MANUAL IS CORRECT AT THE TIME OF PUBLICATION. HOWEVER, IN THE COURSE OF CONSTANT DEVELOPMENT OF BOMFORD TURNER MACHINES, CHANGES IN SPECIFICATION ARE INEVITABLE. SHOULD YOU FIND THE INFORMATION GIVEN IN THIS BOOK TO BE AT VARIANCE WITH THE MACHINE IN YOUR POSSESSION, YOU ARE ADVISED TO CONTACT THE BOMFORD TURNER SERVICE DEPARTMENT WHERE UP-TO-DATE INFORMATION WILL BE PROVIDED.

THE MANUAL CAN CONTAIN STANDARD AND OPTIONAL FEATURES AND IS NOT TO BE USED AS A MACHINE SPECIFICATION.

THE MACHINE HAS BEEN TESTED AND IS CONSIDERED SAFE IF CAREFULLY USED. ENSURE YOUR OPERATOR IS PROPERLY TRAINED IN ITS USE AND MAINTENANCE.

IMPORTANT

NOTEZ ICI LES NUMEROS DE SERIE DE VOTRE MACHINE ET MENTIONNEZ LES DANS TOUTE COMMUNICATION AVEC NOS SERVICES OU VOTRE REVENDEUR. CECI EST IMPORTANT POUR LA COMMANDE DE PIECES DETACHEES. PENSEZ A NOTER TOUS LES NUMEROS ET TOUTES LES LETTERS.

NUMEROS DE SERIE DE LA MACHINE _____

LES INFORMATIONS DONNEES DANS CE MANUEL SONT CORRECTES CEPENDANT, DU FAIT DE DEVELOPPEMENT CONSTANT DES MACHINES BOMFORD TURNER.

CHANGEMENTS DANS LES CARACTERISTIQUES SONT INEVITABLES.

SI VOUS TROUVEZ QUE LES INFORMATIONS DONNEES NE CORRESPONDENT PAS A VOTRE MACHINE VEUILLEZ CONTACTER LE SERVICE DES REPARATIONS OU DES INFORMATIONS PLUS RECENTES VOUS SERONT DONNEES.

CE MANUEL PEUT MONTRER DES CARACTERISTIQUES OPTIONNELLES ET NE PEUT PAS ETRE CONSIDERE COMME SPECIFICATION DE LA MACHINE.

CETTE MACHINE A ETE TESTEE, ET ELLE EST CONSIDEREE COMME FIABLE A CONDITION D'UNE BONNE UTILISATION. ASSUREZ-VOUS QUE VOTRE OPERATEUR EST QUALIFIE EN CE QUI CONCERNE L'UTILISATION DE LA MACHINE AINSI QUE SON ENTRETIEN.

WICHTIG

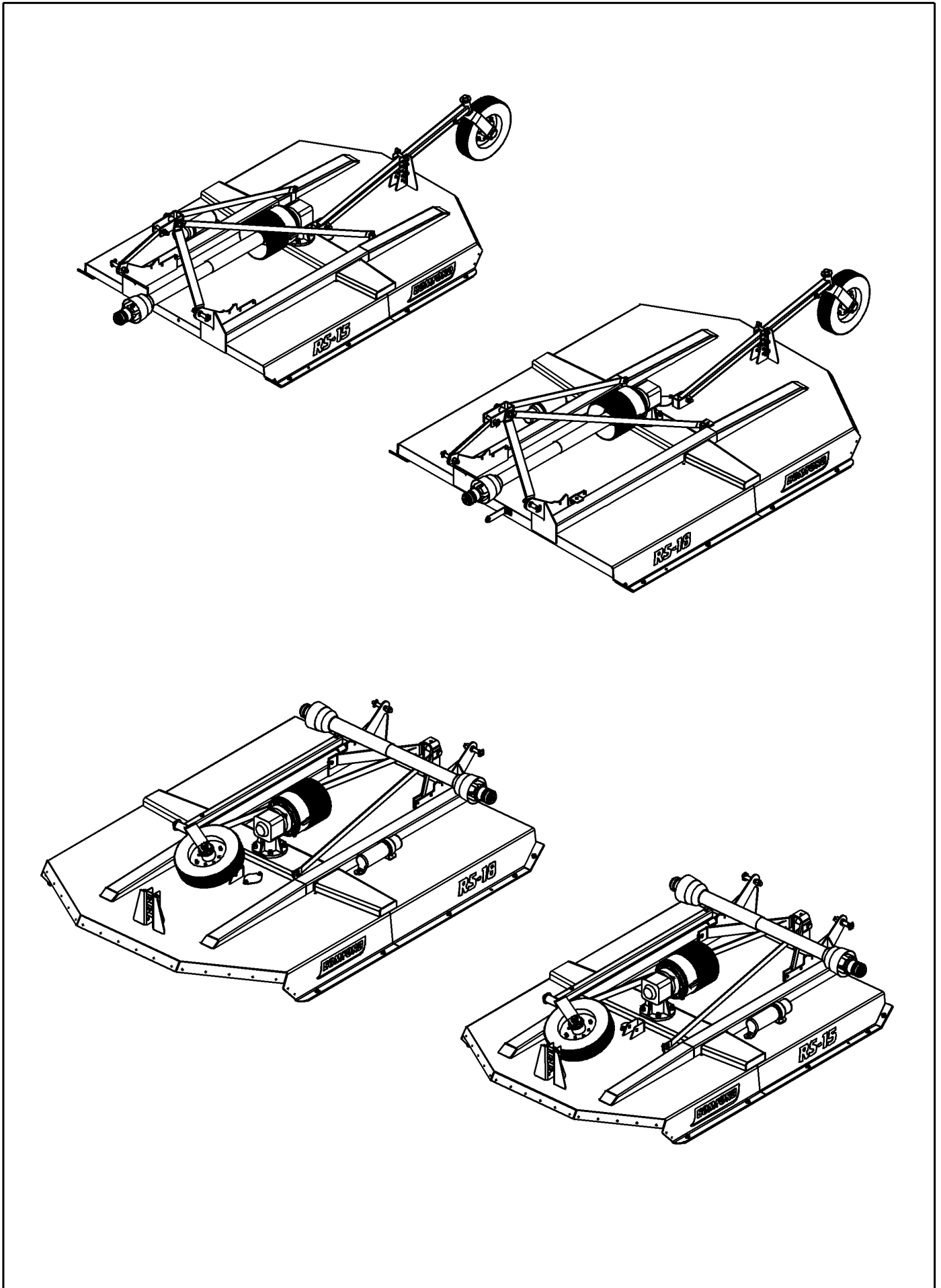
TRAGEN SIE HIER DIE SERIENNUMMERN IHRER MASCHINE EIN UND GEBEN SIE DIESE IMMER AN, WENN SIE SICH AN UNS ODER IHREN HÄNDLER WENDEN. DAS IST BESONDERS BEI ERSATZTEILBESTELLUNGEN WICHTIG. VERGESSEN SIE NICHT, ALLE ZAHLEN UND BUCHSTABEN ZU NOTIEREN.

SERIENNUMMERN DER MASCHINE _____

DIE ANGABEN INDIESEM HANDBUCH SIND BEI VERÖFFENTLICHUNG KORREKT. AUFGRUND DER KONSTANTEN WEITERENTWICKLUNG VON BOMFORD TURNER MASCHINEN SIND JEDOCHÄNDERUGDEN IN DER SPEZIFIKATION UNVERMEIDLICH. WENN DIE INFORMATION IN DIESEM HANDBUCH NICHT MIT IHRER MASCHINE ÜBEREINSTIMMEN, NEHMEN SIE BITTE KONTAKT MIT DER BOMFORD TURNER KUNDENDIENSTABTEILUNG AUF, DIE IHNEN GERNE DIE AKTUELLEN INFORMATION ZUKOMMEN LÄSST.

DAS HANDBUCH KANN SOWOHL BESCHREIBUNGEN FÜR DIE STANDARD AUSFÜHRUNG ALS AUCH FÜR ZUBEHÖR ENTHALTEN UND IST NICHT ALS MASCHINENSPEZIFIKATION ZU VERWENDET.

DIE MASCHINE IST GETESTET UND BEI SACHGEMÄSSEM BETRIEB ALS SICHER BEFUNDEN WORDEN. SORGEN SIE DAFÜR, DASS IHR BEDIENPERSONAL IN ANWENDUNG UND WARTUNG RICHTIG GESCHULT WIRD.



RS18 & RS15 ROTARY SLASHER

PAGE ILLUSTRATION NUMBERS SHOWN ARE USED ONLY FOR REFERENCE PURPOSES
AND SHOULD NOT BE USED FOR ORDERING SPARE PARTS.
PLEASE ENSURE THE CORRECT PART NUMBER AND DESCRIPTION IS GIVEN WHEN
ORDERING SPARE PARTS.

For Machines with Serial Numbers commencing from

SECTION NO	DESCRIPTION
2	DECK
3	A FRAME
4	TAILBEAM ASSY
5	DRIVETRAIN & BLADEPAN
6	SKID KIT
7	DECALS
8	TRANSPORT KIT
9	GUARD KITS

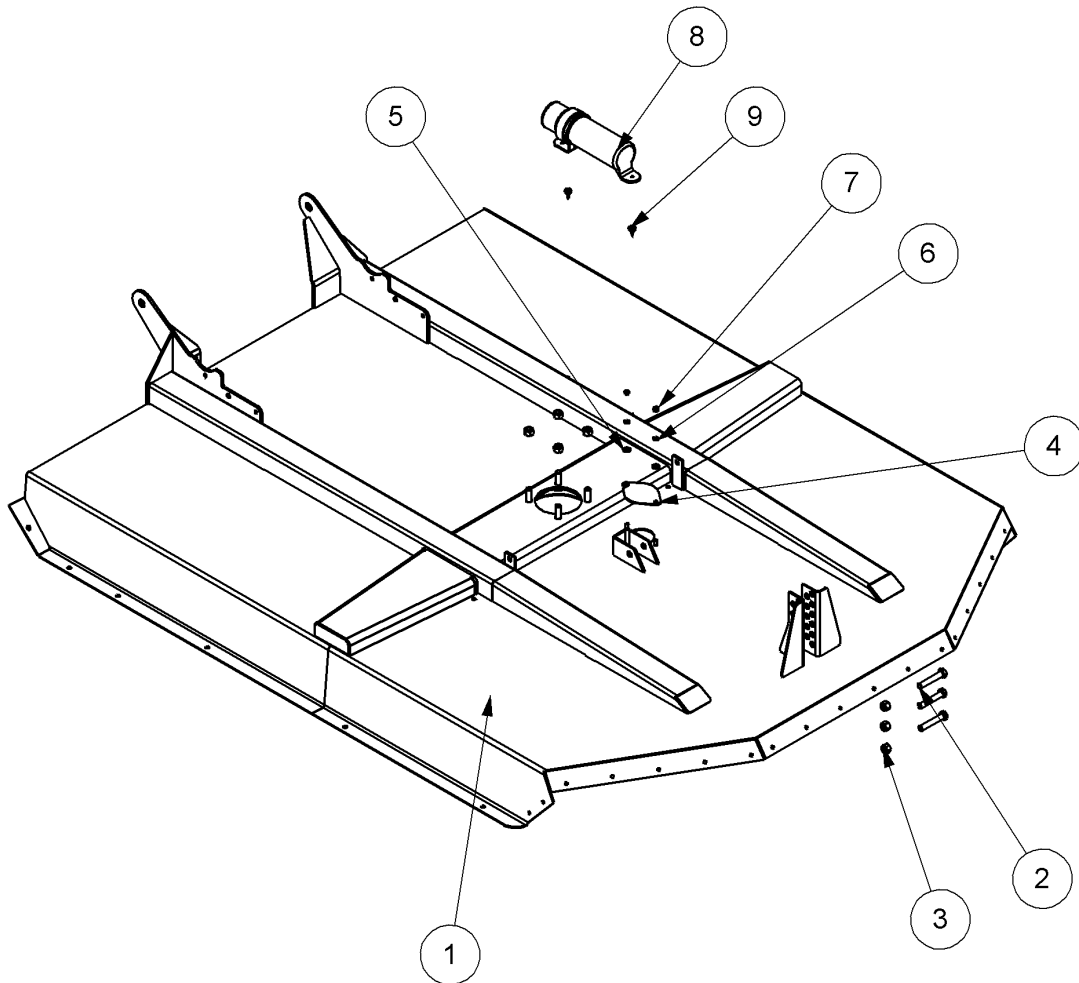
IMPORTANT

THIS MACHINE IS FOR VEGETATION CONTROL AND MUST NOT BE USED FOR ANY OTHER
PURPOSE.

IT IS POTENTIALLY HAZARDOUS TO FIT OR USE ANY PARTS OTHER THAN GENUINE
BOMFORD TURNER PARTS.

THE COMPANY DISCLAIMS ALL LIABILITY FOR THE CONSEQUENCES OF SUCH USE
WHICH, IN ADDITION, VOIDS THE MACHINE WARRANTY.

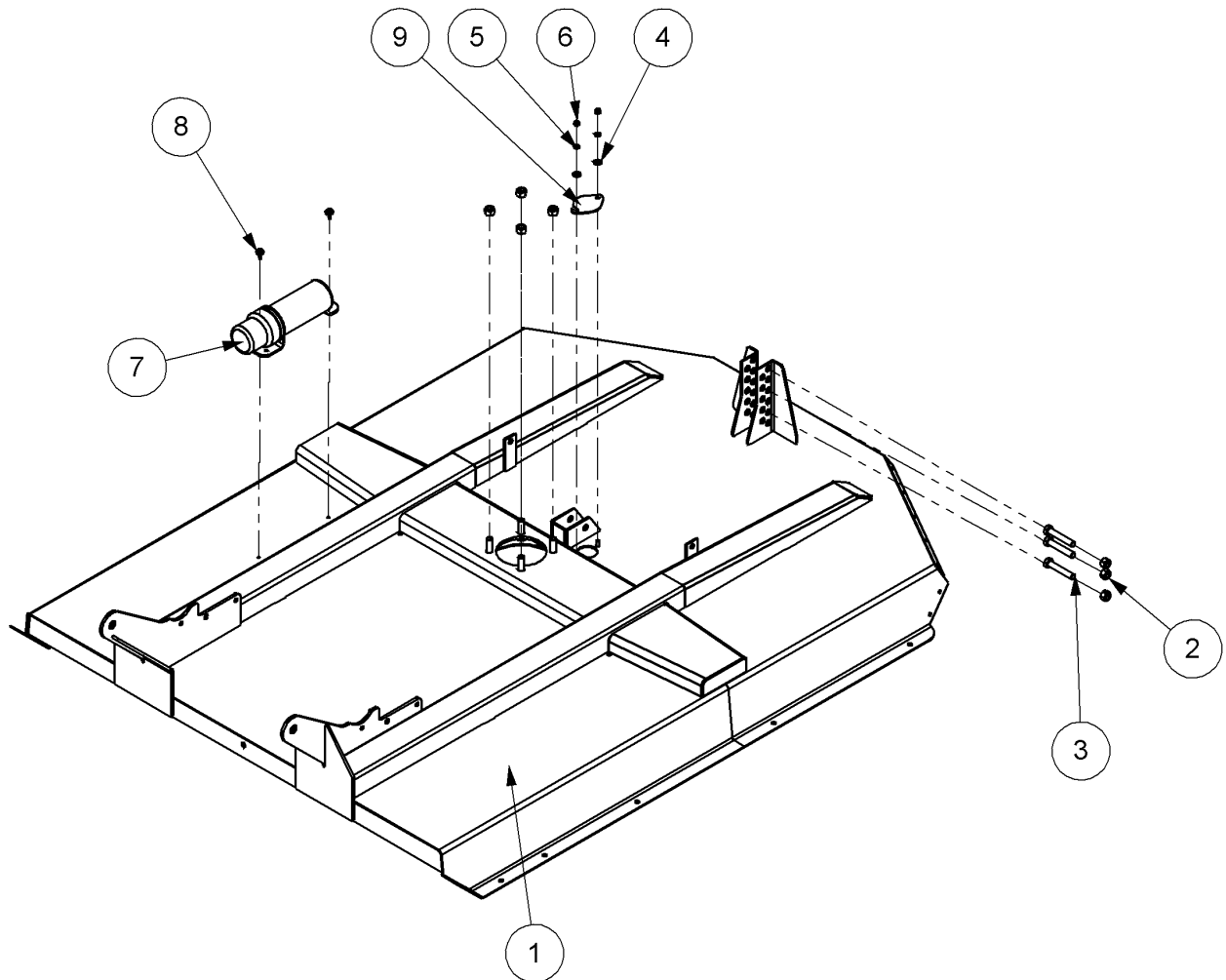
RS-18 DECK ASSY
77.531.07 REV : B



ITEM NO.	PART NUMBER	DESCRIPTION	QTY.
1	48103.06	TOP DECK RS18	1
2	05.292.32	BOLT M16x90	3
3	05.287.04	SELF-LOCKING NUT M16	7
4	48103.02	ACCESS PLATE	1
5	05.281.01	FLAT WASHER M8	2
6	05.282.01	SPRING WASHER M8	2
7	05.286.01	NUT M8	2
8	46505.01	LITERATURE HOLDER	1
9	05.969.02	SELF-TAP.SCREW No14 3/4"HEX HD	2

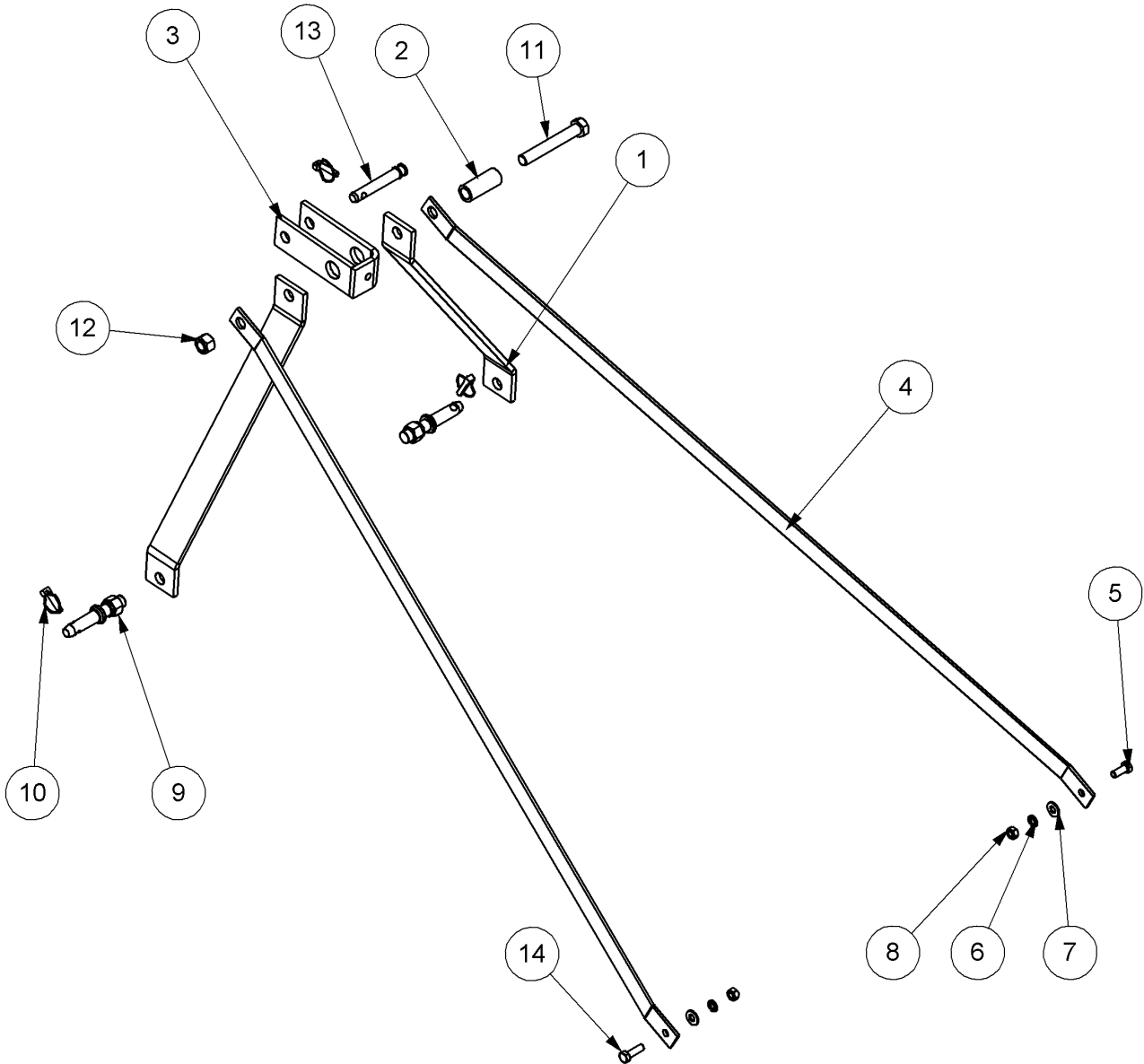
RS-15 DECK ASSEMBLY

77.539.01 REV : B



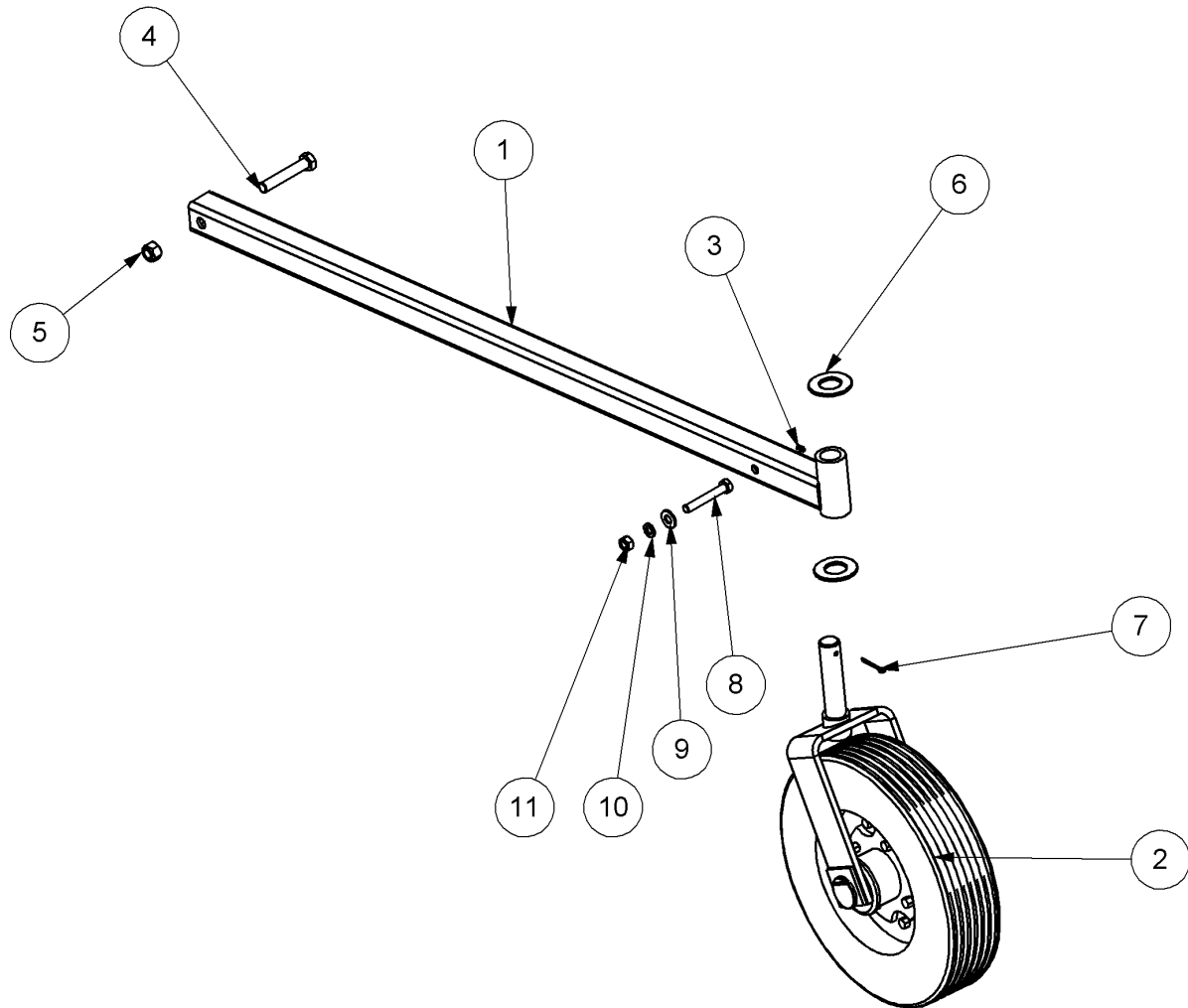
ITEM NO.	PART NUMBER	DESCRIPTION	QTY.
1	48105.02	TOP DECK RS15	1
2	05.287.04	SELF-LOCKING NUT M16	7
3	05.292.32	BOLT M16x90	3
4	05.281.01	FLAT WASHER M8	2
5	05.282.01	SPRING WASHER M8	2
6	05.286.01	NUT M8	2
7	46505.01	LITERATURE HOLDER	1
8	05.969.02	SELF-TAP.SCREW No14 3/4"HEX HD	2
9	48105.03	ACCESS PLATE	1

A - FRAME
77.531.09 REV : B



ITEM NO.	PART NUMBER	DESCRIPTION	QTY.
1	48102.04	FLAT	2
2	00766542	BUSHING "A" FRAME	1
3	48103.05	TOP LINK	1
4	48102.21	PLATE 6	2
5	05.264.23	SETSCREW M12x30	1
6	05.282.03	SPRING WASHER M12	2
7	05.281.03	FLAT WASHER M12	2
8	05.286.03	NUT M12	2
9	00603500	WRIST PIN	2
10	00.372.01	LINCH PIN	3
11	05.292.47	BOLT M20x140	1
12	05.287.05	SELF-LOCKING NUT M20	1
13	T1657	T1657	1
14	05.264.25	SETSCREW M12x40	1

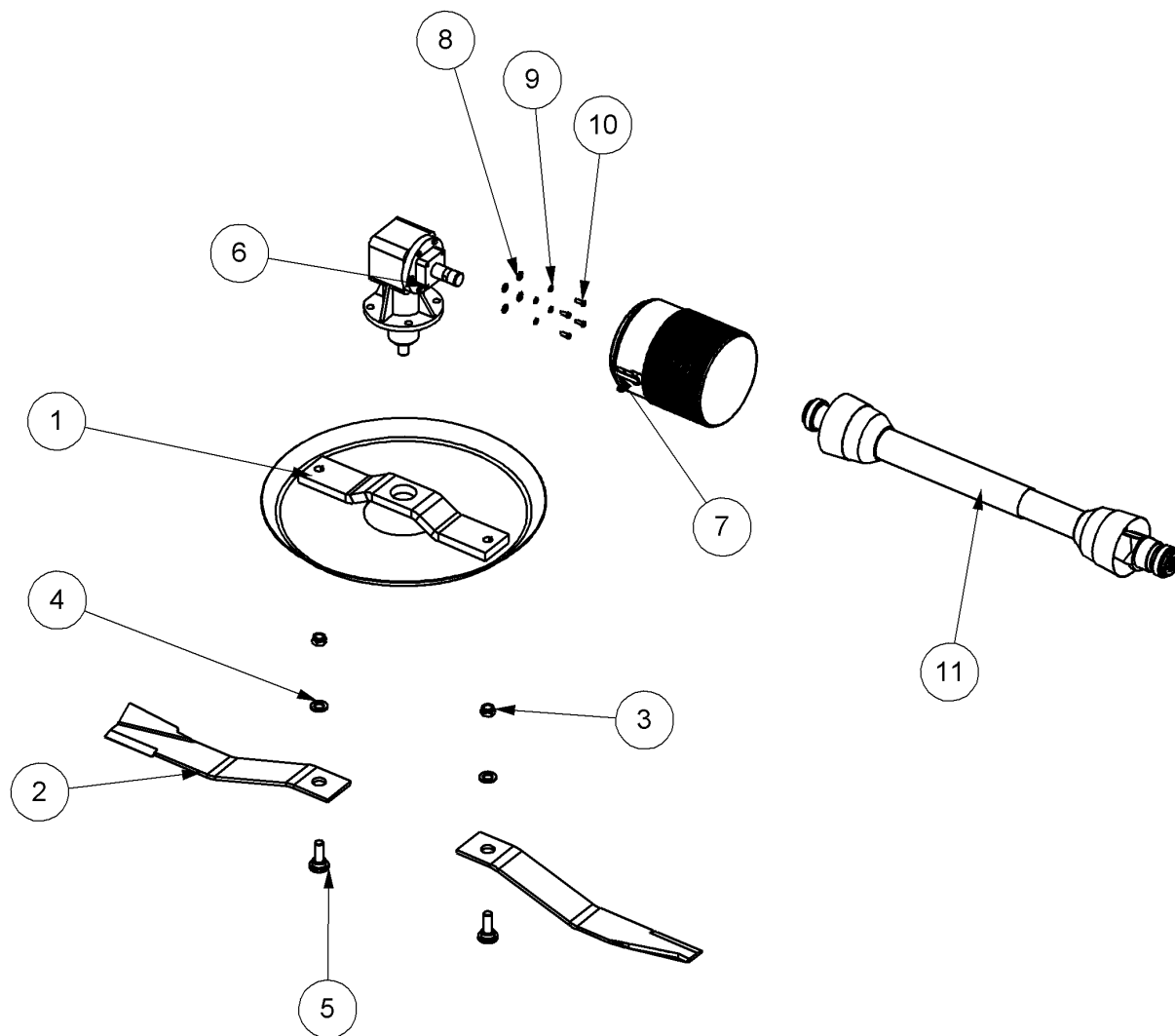
TAILBEAM ASSY
77.531.03 REV : B



ITEM NO.	PART NUMBER	DESCRIPTION	QTY.
1	48102.02	TAIL BEAM	1
2	1047262	WHEEL & FORK ASSY	1
3	05.953.01	GREASE NIPPLE M6xStr	1
4	05.292.32	BOLT M16x90	1
5	05.287.04	SELF-LOCKING NUT M16	1
6	48103.04	THRUST WASHER	2
7	05.284.03	SPLIT COTTER INDEX	1
8	05.292.21	BOLT M12x80	1
9	05.281.03	FLAT WASHER M12	1
10	05.282.03	SPRING WASHER M12	1
11	05.286.03	NUT M12	1

GEARBOX & BLADEPAN

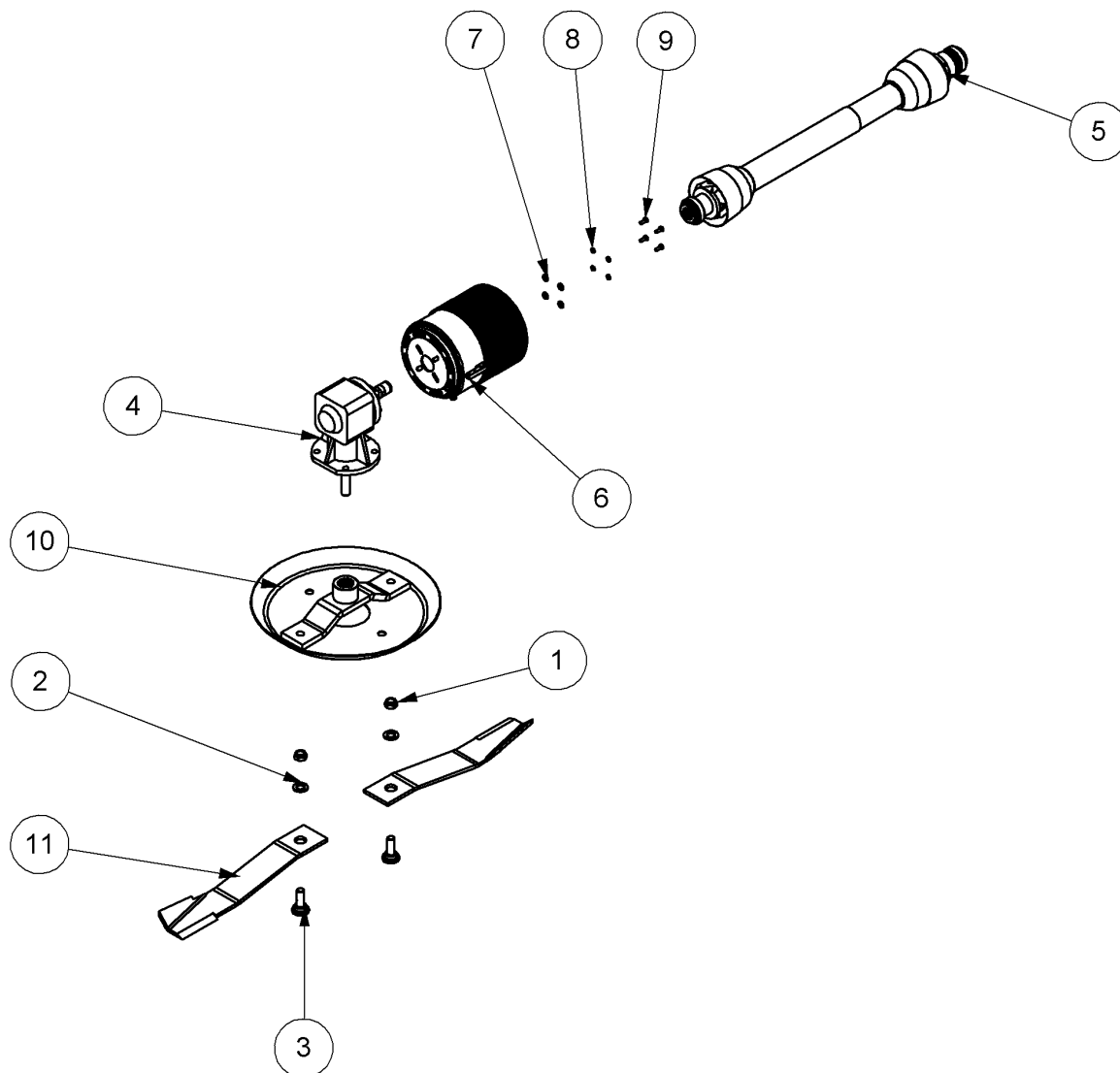
77.531.08 REV : A



ITEM NO.	PART NUMBER	DESCRIPTION	QTY.
1	48102.12	BLADEPAN	1
2	1046006	SUCTION BLADE - SE6 (ACW)	2
3	01.410.08	NUT 7/8" UNF CLEVELOCK	2
4	00761535	WASHER	2
5	00761402	BOLT	2
6	0711050100	GEARBOX INC SLOTTED NUT	1
7	21839.01	PTO GUARD COVER	1
8	05.281.01	FLAT WASHER M8	4
9	05.282.01	SPRING WASHER M8	4
10	05.264.01	SETSCREW M8x20	4
11	41623.04	PTO SHAFT	1

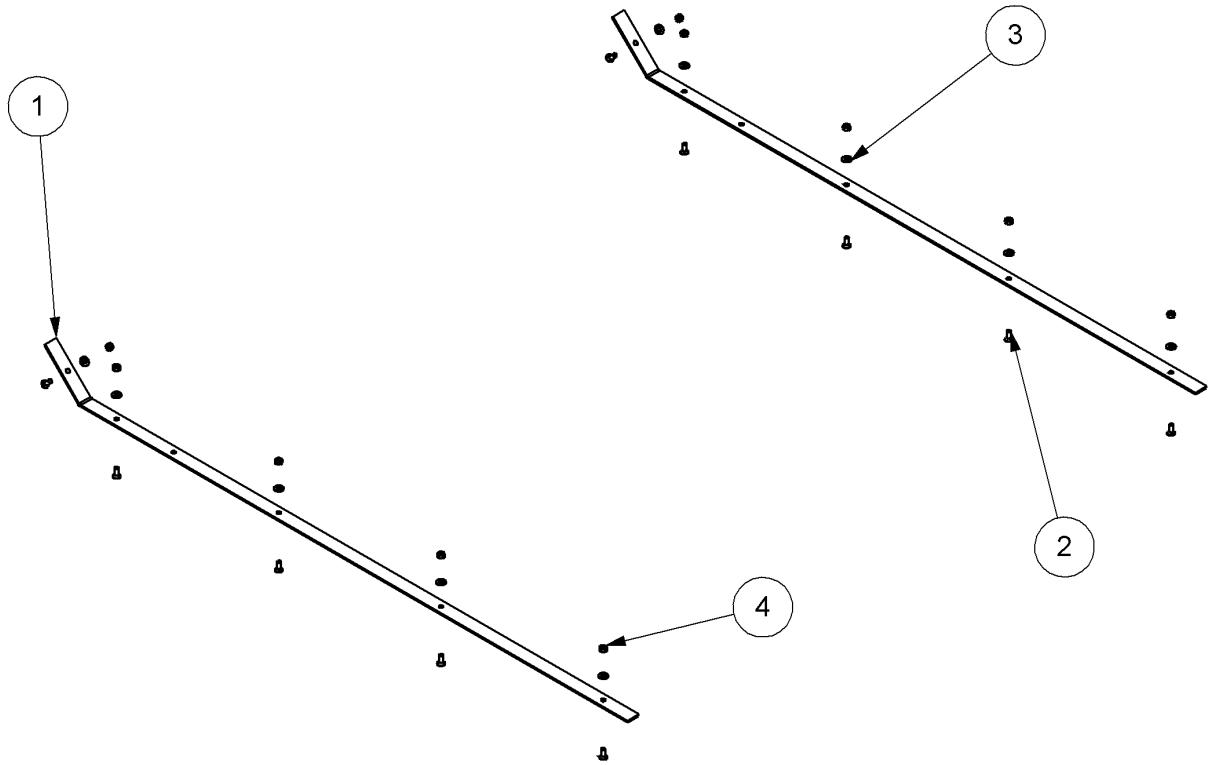
DRIVETRAIN & BLADEPAN

77.541.01 REV : A



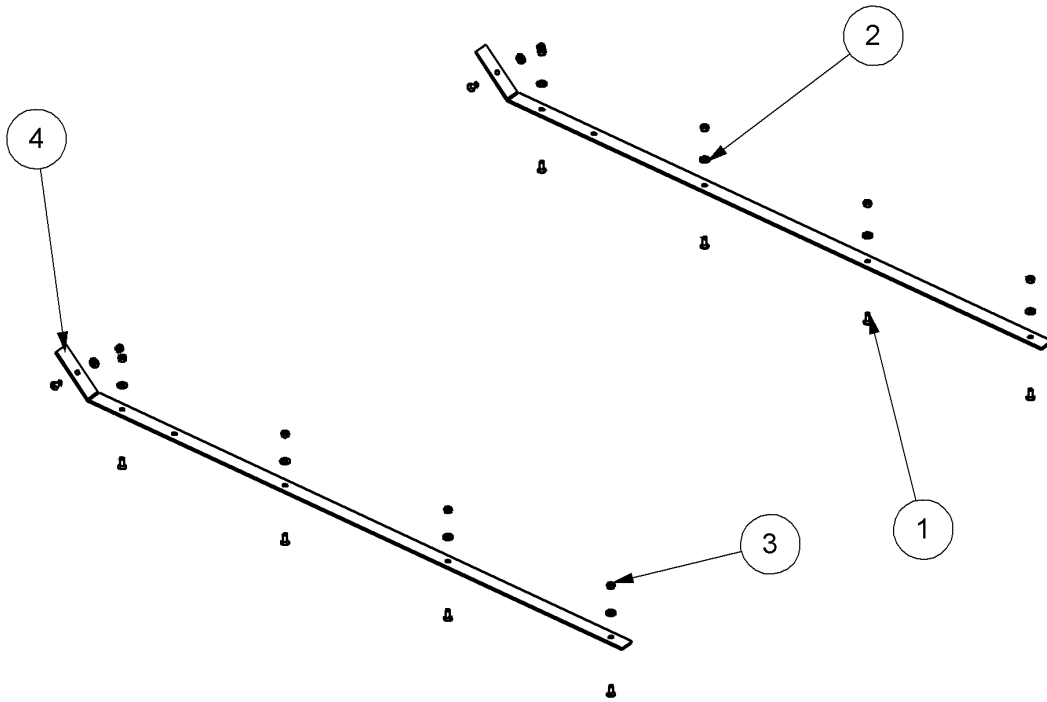
ITEM NO.	PART NUMBER	DESCRIPTION	QTY.
1	01.410.08	NUT 7/8" UNF CLEVELOCK	2
2	00761535	WASHER	2
3	00761402	BOLT	2
4	0711050100	GEARBOX INC SLOTTED NUT	1
5	41623.04	PTO SHAFT	1
6	21839.01	PTO GUARD COVER	1
7	05.281.01	FLAT WASHER M8	4
8	05.282.01	SPRING WASHER M8	4
9	05.264.01	SETSCREW M8x20	4
10	00766590	WELDMENT - BLADE PAN	1
11	00764665	BLADE SE-5 ANTICLOCKWISE	2

SKID KIT
77.531.06 REV : B



ITEM NO.	PART NUMBER	DESCRIPTION	QTY.
1	48103.03	SKID	2
2	9333045	M10 x 20 SKT CSK CAPSCREW	10
3	05.281.02	FLAT WASHER M10	10
4	05.287.02	SELF-LOCKING NUT M10	10

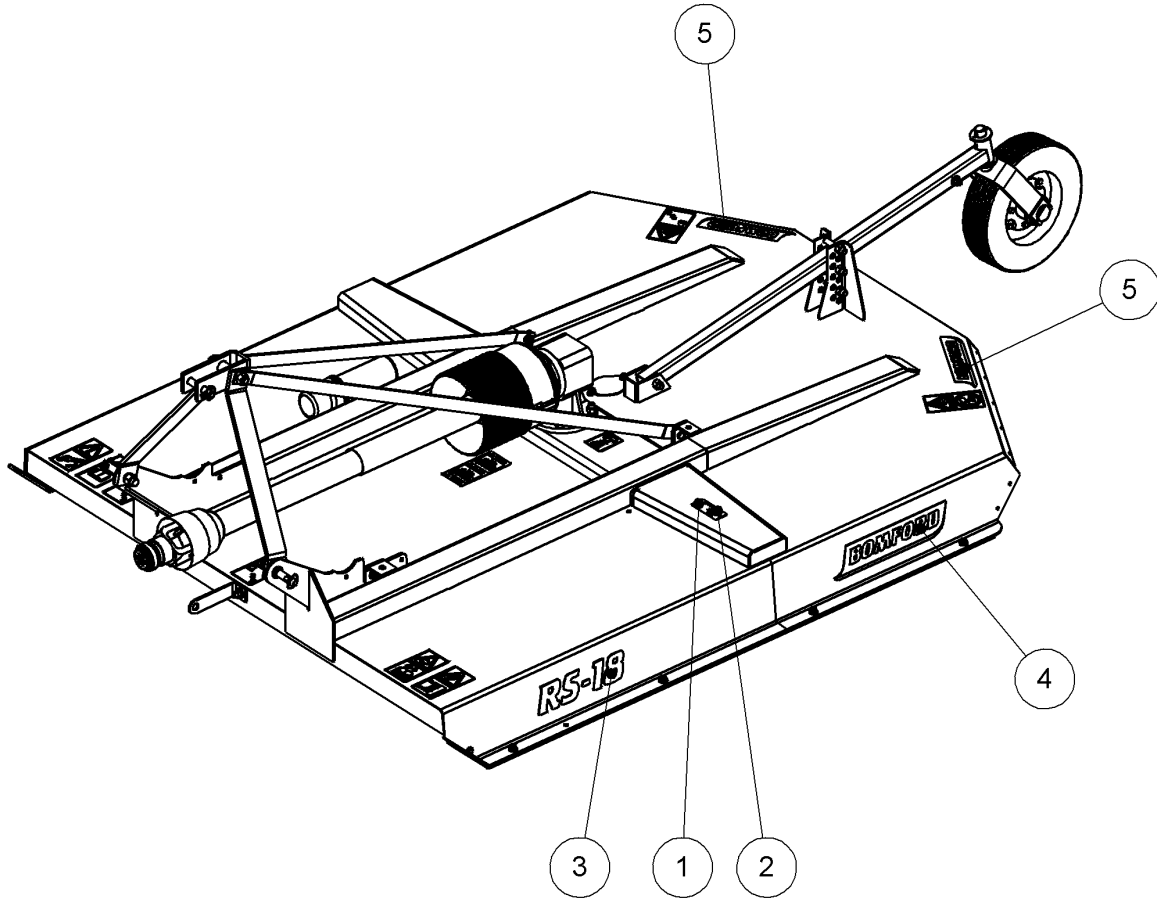
SKID KIT
77.540.01 REV : B



ITEM NO.	PART NUMBER	DESCRIPTION	QTY.
1	9333045	M10 x 20 SKT CSK CAPSCREW	10
2	05.281.02	FLAT WASHER M10	10
3	05.287.02	SELF-LOCKING NUT M10	10
4	48103.08	SKID	2

DECALS - MARKETING RS18

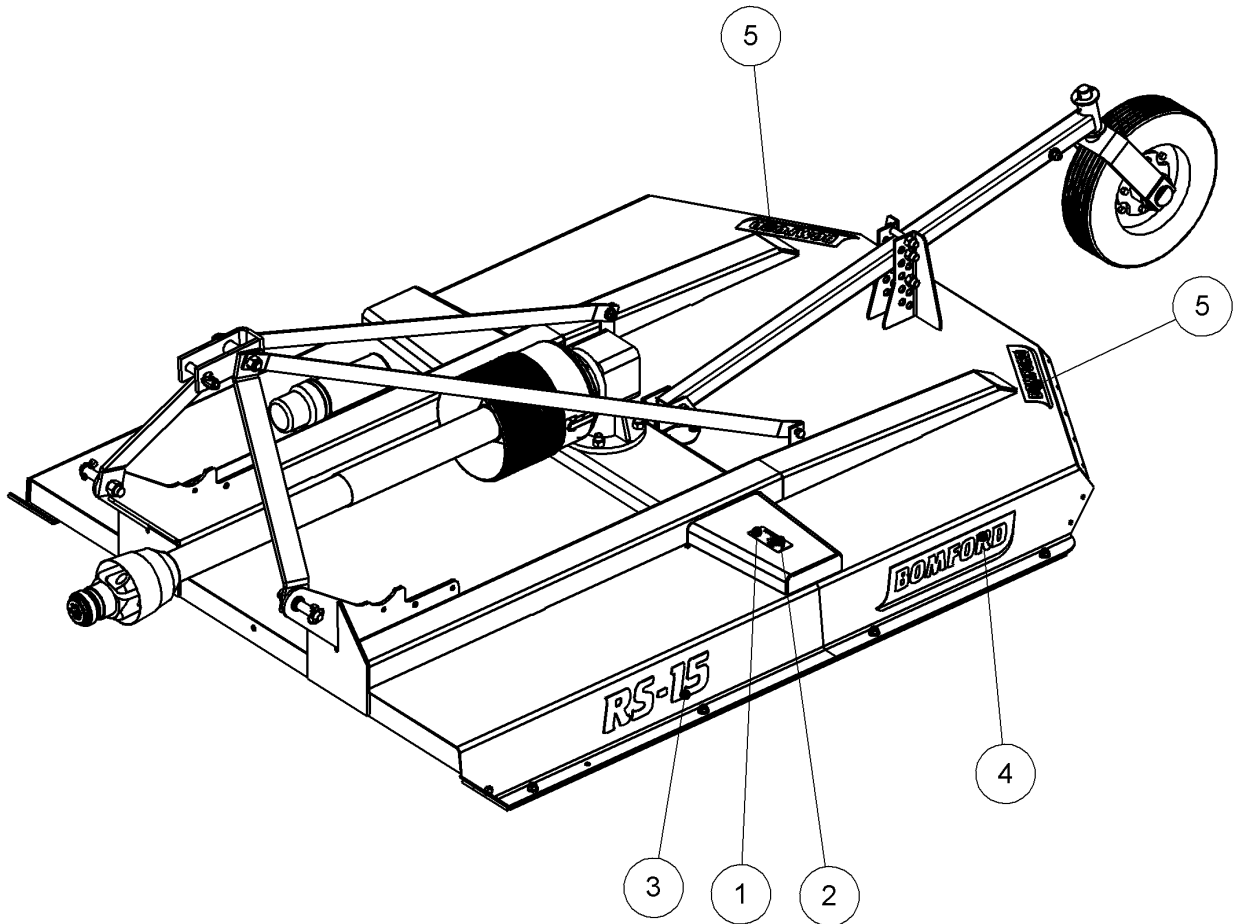
77.547.01 REV : A



ITEM NO.	PART NUMBER	DESCRIPTION	QTY.
1	05.227.01	HAMMER DRIVE SCREW	2
2	05.774.07	SERIAL PLATE	1
3	41748.03	DECAL RS18	2
4	45645.02	DECAL BOMFORD 50MM FONT	2
5	45645.04	DECAL - BOMFORD 35mm LETTER	2

DECALS - MARKETING RS15

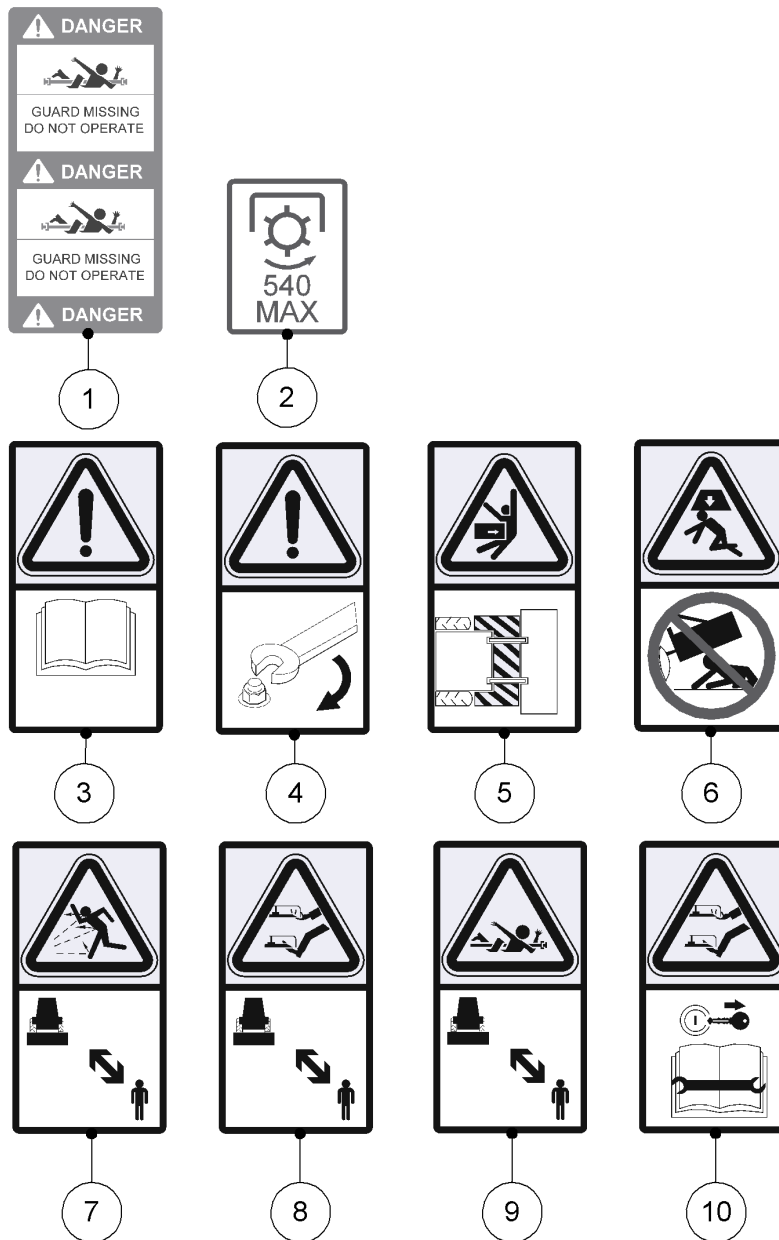
77.548.01 REV : A



ITEM NO.	PART NUMBER	DESCRIPTION	QTY.
1	05.227.01	HAMMER DRIVE SCREW	2
2	05.774.07	SERIAL PLATE	1
3	41748.02	DECAL - RS15	2
4	45645.02	DECAL BOMFORD 50MM FONT	2
5	45645.04	DECAL - BOMFORD 35mm LETTER	2

DECALS -ENGINEERING

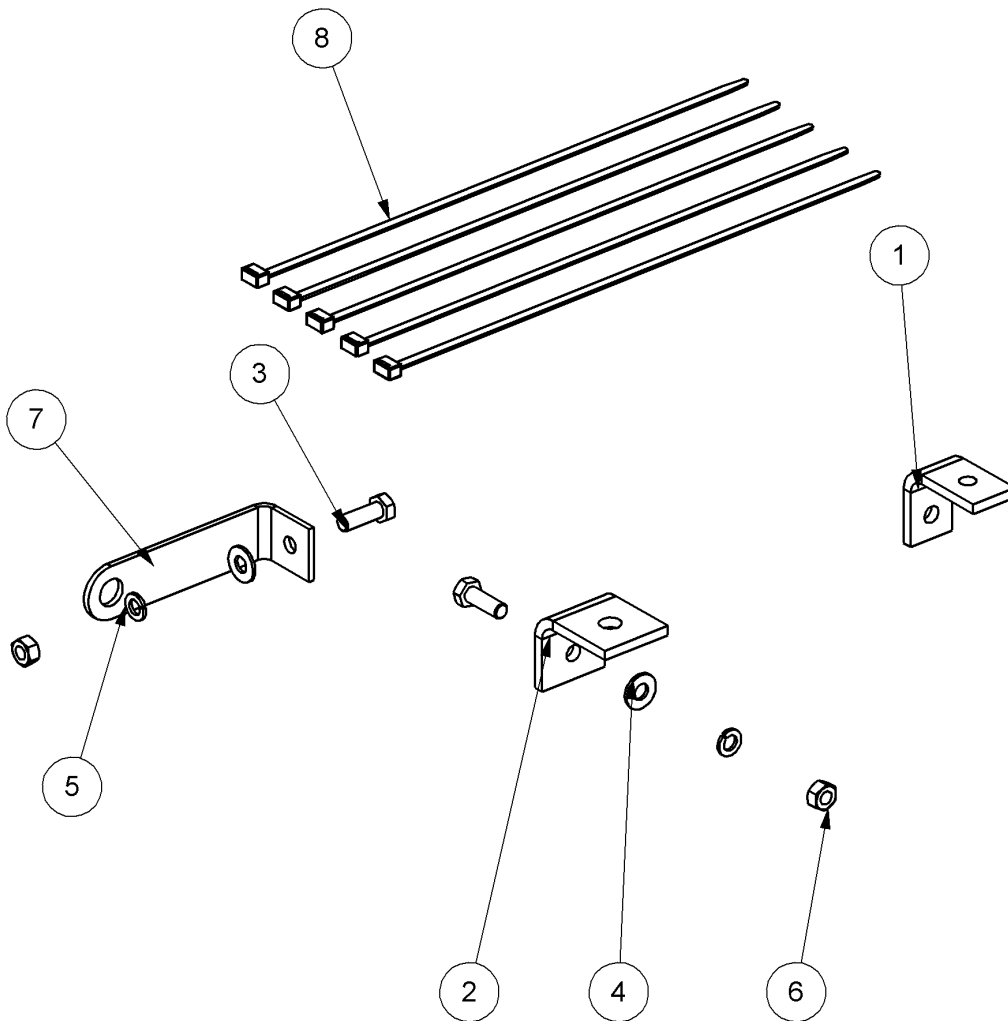
77.546.01 REV : A



ITEM NO.	PART NUMBER	DESCRIPTION	QTY.
1	00756004	DECAL - DRIVELINE MISSING	1
2	09.811.04	DECAL - 540 MAX ACW	1
3	09.821.01	DECAL - READ INSTRUCTIONS	1
4	09.821.10	DECAL - KEEP NUTS TIGHT	1
5	09.821.16	DECAL - KEEP OUT ZONE	1
6	09.821.17	DECAL - UNSUPPORTED MACHINE	1
7	09.821.18	DECAL - THROWN DEBRIS	1
8	09.821.19	DECAL - ROTARY HEAD DANGER	1
9	09.821.20	DECAL - SHAFT ENTANGLEMENT	1
10	09.821.22	DECAL - UNBLOCK HEAD (ROTARY)	1

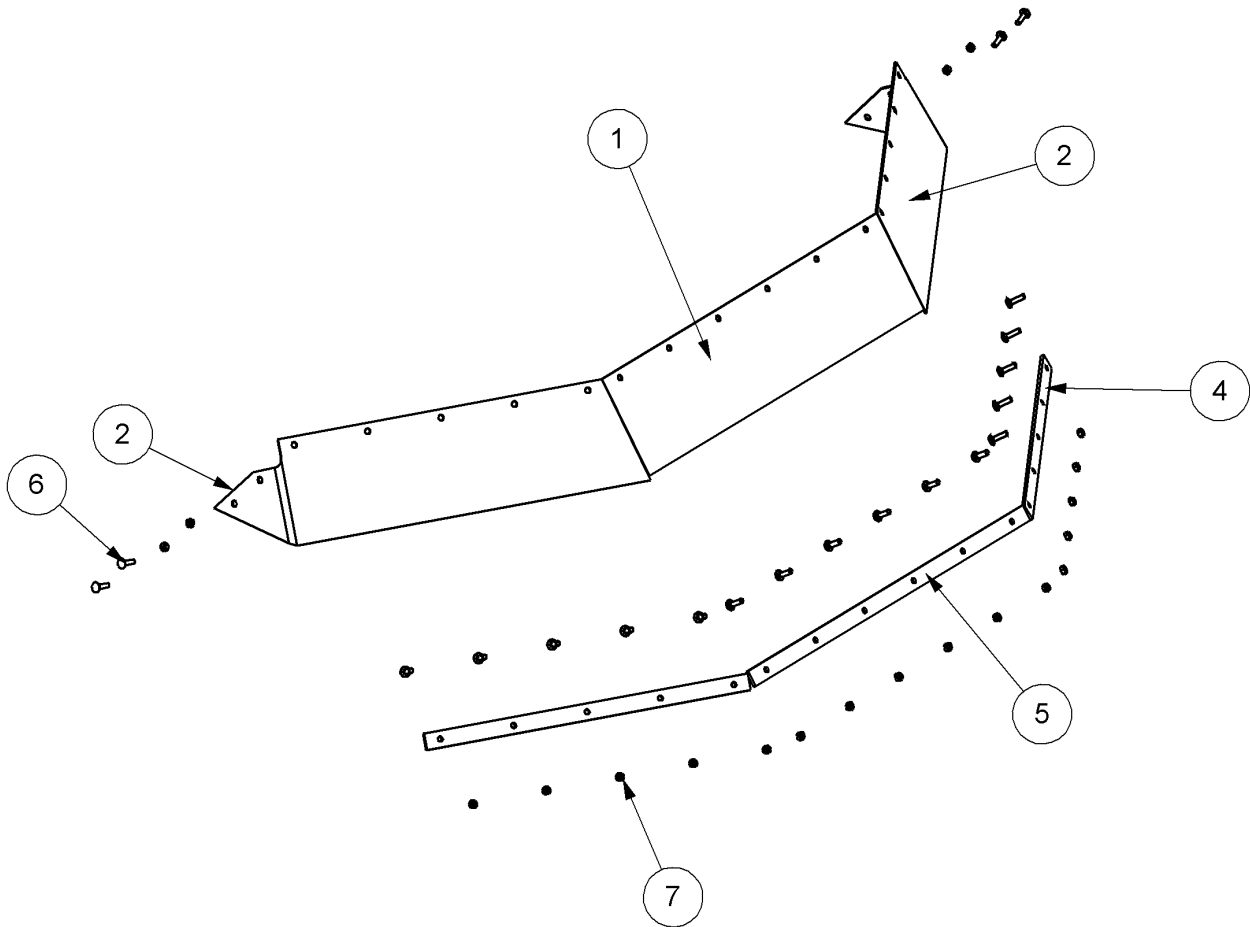
TRANSPORT PACK

77.531.10 REV : A



ITEM NO.	PART NUMBER	DESCRIPTION	QTY.
1	48103.09	TRANSPORT BRACKET	1
2	48103.10	TRANSPORT BRACKET	1
3	05.264.24	SETSCREW M12x35	2
4	05.281.03	FLAT WASHER M12	2
5	05.282.03	SPRING WASHER M12	2
6	05.286.03	NUT M12	2
7	48103.11	PLATE 5	1
8	06.023.01	CABLE TIE 465MM LONG 8MM WIDE	5

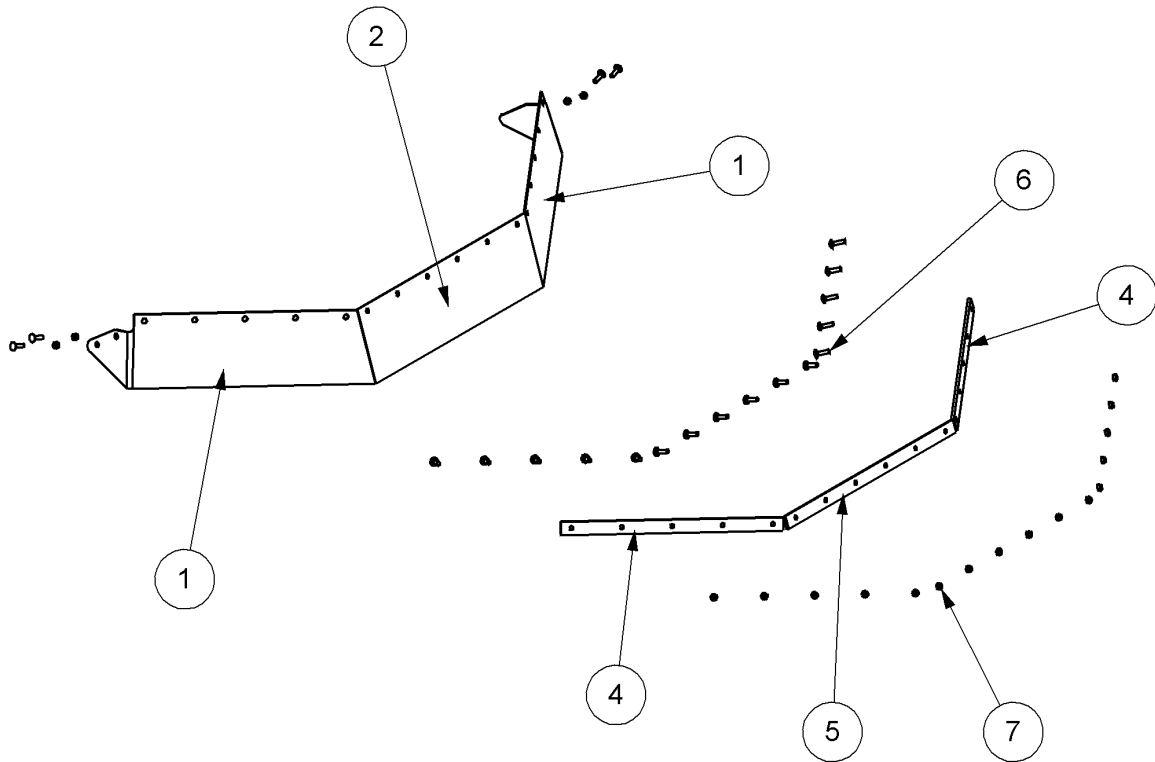
REAR GUARD KIT
77.531.11 REV : A



ITEM NO.	PART NUMBER	DESCRIPTION	QTY.
1	48101.42	RUBBER GUARD - REAR CENTRE	1
2	48101.41	GUARD - FLEXIBLE REAR	2
4	48101.04	BACKING STRIP	2
5	48101.05	BACKING STRIP	1
6	9293064	BOLT CUP SQR M8X30	20
7	05.287.01	SELF-LOCKING NUT M8	20

REAR GUARD KIT RS15

77.531.12 REV : A



ITEM NO.	PART NUMBER	DESCRIPTION	QTY.
1	48105.04	GUARD - FLEXIBLE	2
2	48105.05	GUARD - FLEXIBLE	1
4	48101.10	BACKING STRIP	2
5	48101.11	BACKING STRIP	1
6	9293064	BOLT CUP SQR M8X30	20
7	05.287.01	SELF-LOCKING NUT M8	20