

PM1718

**RS 12/15/18 & 21**  
**ROTARY SLASHER**

PARTS MANUAL

ISSUE 6

## IMPORTANT

NOTE HERE THE SERIAL NUMBER OF YOUR MACHINE AND ALWAYS QUOTE IT IN ANY COMMUNICATION WITH US OR YOUR DEALER. THIS IS PARTICULARLY IMPORTANT WHEN ORDERING SPARES. REMEMBER TO INCLUDE ALL NUMBERS AND LETTERS.

MACHINE SERIAL NUMBERS \_\_\_\_\_

THE INFORMATION GIVEN THROUGHOUT THIS MANUAL IS CORRECT AT THE TIME OF PUBLICATION. HOWEVER, IN THE COURSE OF CONSTANT DEVELOPMENT OF BOMFORD TURNER MACHINES, CHANGES IN SPECIFICATION ARE INEVITABLE. SHOULD YOU FIND THE INFORMATION GIVEN IN THIS BOOK TO BE AT VARIANCE WITH THE MACHINE IN YOUR POSSESSION, YOU ARE ADVISED TO CONTACT THE BOMFORD TURNER SERVICE DEPARTMENT WHERE UP-TO-DATE INFORMATION WILL BE PROVIDED.

THE MANUAL CAN CONTAIN STANDARD AND OPTIONAL FEATURES AND IS NOT TO BE USED AS A MACHINE SPECIFICATION.

THE MACHINE HAS BEEN TESTED AND IS CONSIDERED SAFE IF CAREFULLY USED. ENSURE YOUR OPERATOR IS PROPERLY TRAINED IN ITS USE AND MAINTENANCE.

---

## IMPORTANT

NOTEZ ICI LES NUMEROS DE SERIE DE VOTRE MACHINE ET MENTIONNEZ LES DANS TOUTE COMMUNICATION AVEC NOS SERVICES OU VOTRE REVENDEUR. CECI EST IMPORTANT POUR LA COMMANDE DE PIECES DETACHEES. PENSEZ A NOTER TOUS LES NUMEROS ET TOUTES LES LETTERS.

NUMEROS DE SERIE DE LA MACHINE \_\_\_\_\_

LES INFORMATIONS DONNEES DANS CE MANUEL SONT CORRECTES CEPENDANT, DU FAIT DE DEVELOPPEMENT CONSTANT DES MACHINES BOMFORD TURNER.

CHANGEMENTS DANS LES CARACTERISTIQUES SONT INEVITABLES.

SI VOUS TROUVEZ QUE LES INFORMATIONS DONNEES NE CORRESPONDENT PAS A VOTRE MACHINE VEUILLEZ CONTACTER LE SERVICE DES REPARATIONS OU DES INFORMATIONS PLUS RECENTES VOUS SERONT DONNEES. CE MANUEL PEUT MONTRER DES CARACTERISTIQUES OPTIONNELLES ET NE PEUT PAS ETRE CONSIDERE COMME SPECIFICATION DE LA MACHINE.

CETTE MACHINE A ETE TESTEE, ET ELLE EST CONSIDEREE COMME FIABLE A CONDITION D'UNE BONNE UTILISATION. ASSUREZ-VOUS QUE VOTRE OPERATEUR EST QUALIFIE EN CE QUI CONCERNE L'UTILISATION DE LA MACHINE AINSI QUE SON ENTRETIEN.

---

## WICHTIG

TRAGEN SIE HIER DIE SERIENNUMMERN IHRER MASCHINE EIN UND GEBEN SIE DIESE IMMER AN, WENN SIE SICH AN UNS ODER IHREN HÄNDLER WENDEN. DAS IST BESONDERS BEI ERSATZTEILBESTELLUNGEN WICHTIG. VERGESSEN SIE NICHT, ALLE ZAHLEN UND BUCHSTABEN ZU NOTIEREN.

SERIENNUMMERN DER MASCHINE \_\_\_\_\_

DIE ANGABEN INDIESEM HANDBUCH SIND BEI VERÖFFENTLICHUNG KORREKT. AUFGRUND DER KONSTANTEN WEITERENTWICKLUNG VON BOMFORD TURNER MASCHINEN SIND JEDOCHÄNDERUGDEN IN DER SPEZIFIKATION UNVERMEIDLICH. WENN DIE INFORMATION IN DIESEM HANDBUCH NICHT MIT IHRER MASCHINE ÜBEREINSTIMMEN, NEHMEN SIE BITTE KONTAKT MIT DER BOMFORD TURNER KUNDENDIENSTABTEILUNG AUF, DIE IHNEN GERNE DIE AKTUELLEN INFORMATION ZUKOMMEN LÄSST.

DAS HANDBUCH KANN SOWOHL BESCHREIBUNGEN FÜR DIE STANDARD AUSFÜHRUNG ALS AUCH FÜR ZUBEHÖR ENTHALTEN UND IST NICHT ALS MASCHINENSPEZIFIKATION ZU VERWENDET.

DIE MASCHINE IST GETESTET UND BEI SACHGEMÄSSEM BETRIEB ALS SICHER BEFUNDEN WORDEN. SORGEN SIE DAFÜR, DASS IHR BEDIENPERSONAL IN ANWENDUNG UND WARTUNG RICHTIG GESCHULT WIRD.

*RS RANGE OF ROTARY SLASHERS*

NOTE: PAGE ILLUSTRATION NUMBERS SHOWN ARE USED ONLY FOR REFERENCE PURPOSES AND SHOULD NOT BE USED FOR ORDERING SPARE PARTS.

PLEASE ENSURE THE CORRECT PART NUMBER AND DESCRIPTION IS GIVEN WHEN ORDERING SPARE PARTS.

FOR MACHINES WITH SERIAL NUMBERS COMMENCING FROM: .....

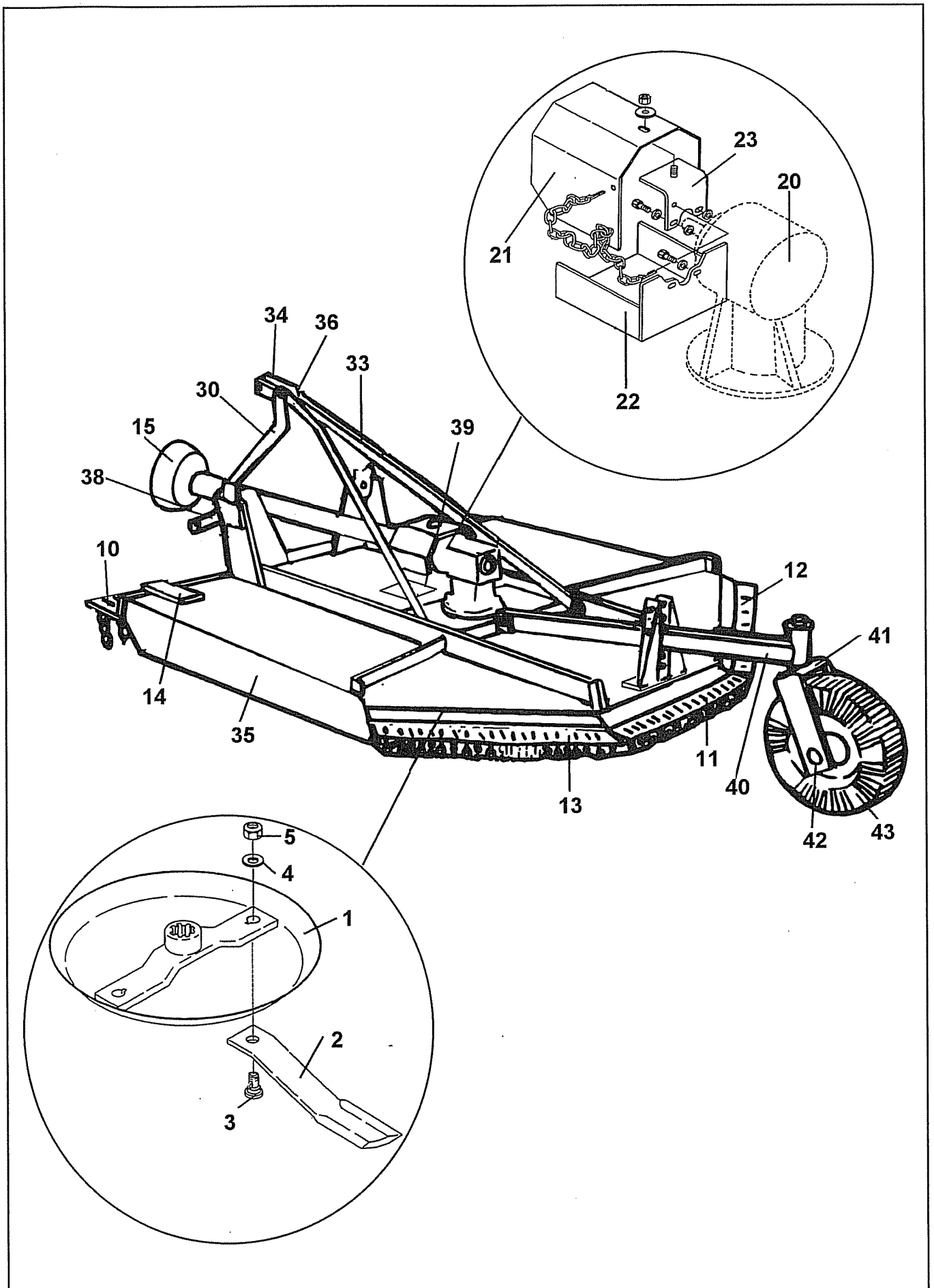
Page No.	Title
2-1 TO 2-4	RS 12 ROTARY SLASHER
3-1	RS 12 GEARBOX
4-1 TO 4-2	RS 15 ROTARY SLASHER
5-1 TO 5-2	RS 18 ROTARY SLASHER
6-1 TO 6-2	RS 15-18 GEARBOX
7-1	RS 15-18 PTO AND SLIP CLUTCH
8-1 TO 8-4	RS 21 ROTARY SLASHER
9-1	RS 21 GEARBOX
10-1	RS 21 PTO AND SLIP CLUTCH
11-1	DECALS

### IMPORTANT

THIS MACHINE IS FOR VEGETATION CONTROL AND  
**MUST NOT** BE USED FOR ANY OTHER PURPOSE

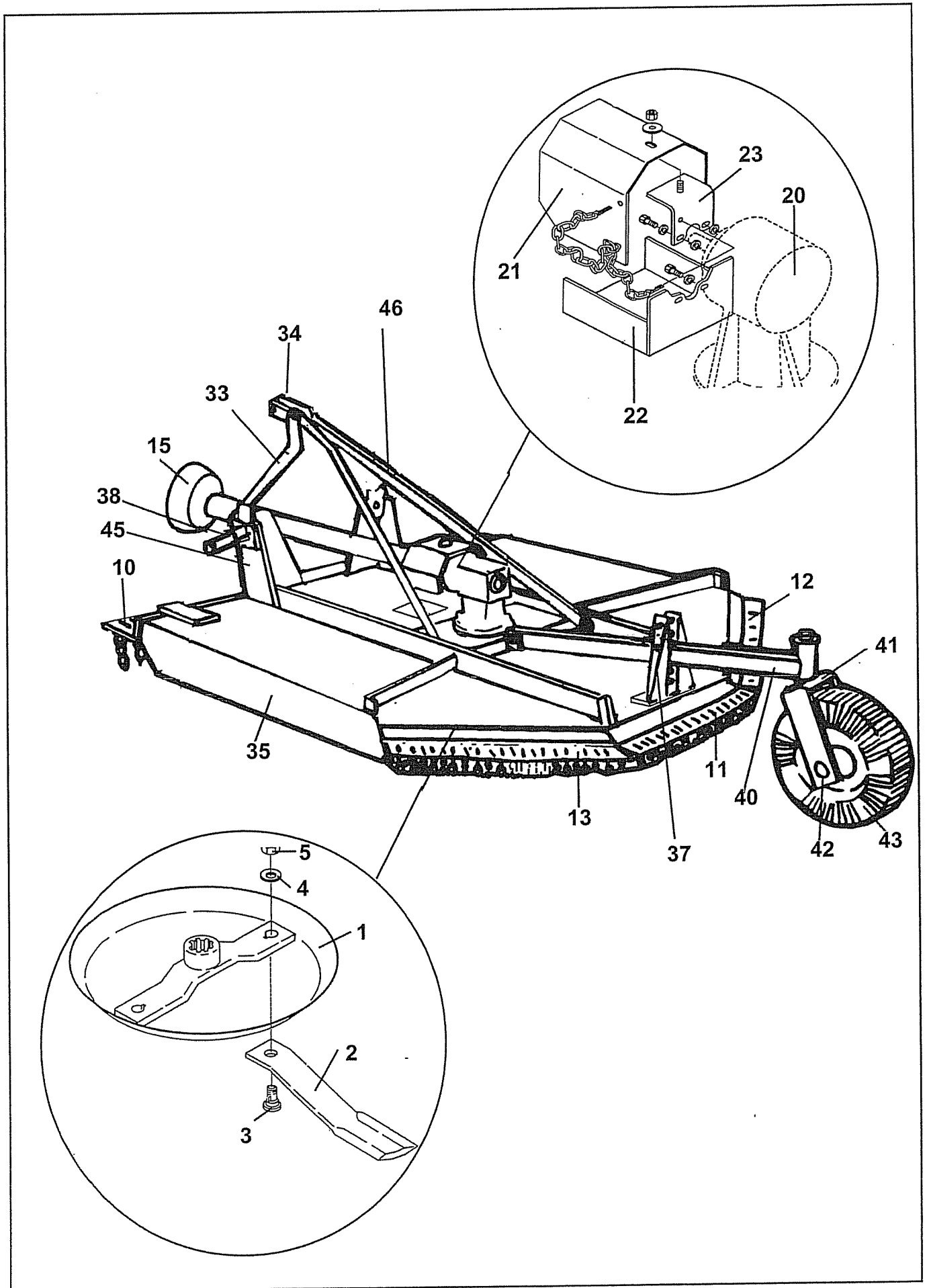
IT IS POTENTIALLY HAZARDOUS TO FIT OR USE  
ANY PARTS OTHER THAN **GENUINE BOMFORD TURNER PARTS**

THE COMPANY DISCLAIMS ALL LIABILITY FOR THE  
CONSEQUENCES OF SUCH USE WHICH, IN ADDITION,  
VOIDS THE MACHINE WARRANTY



REF	PART NO.	DESCRIPTION	QTY
	<b>76.243.01</b>	<b>RS 12 SLASHER-01) (Prior to Serial No 1721M</b>	
00	05.281.02	FLAT WASHER 10MM PLATED FORM C	4
*01	00766165	DISHPAN	1
*02	00764666	BLADE ANTICLOCKWISE	2
*03	00761402	BOLT	2
*04	00761535	WASHER	2
*05	0141008	NUT 7/8" UNF AERO STANDARD	2
*10	0911100100M	GUARD FRONT	1
*11	00761589M	GUARD REAR CNTR	1
*12	00761591M	GUARD REAR RH	1
*13	00761590M	GUARD REAR OUTER LH MOD'D	1
14	0212325	BOLT 1/2" UNC x 4" LONG	4
*14	0901100102	MOUNTING FLAT	2
*15	00759161A	PTO SHAFT	1
20	00758654	BREATHER GEARBOX 1/2" BSP	1
*20	00761655	GEARBOX INC SLOTTED NUT	1
*21	00764254	SHIELD PLATE	1
*22	00762985	BOTTOM BRACKET	1
23	7540	BRACKET HOOD	1
26	41748.01	DECAL RS-12	2
27	41346.01	STRAP - TRANSPORT	1
28	41.145.02	DECAL - BOMFORD 40MM	2
29	41.145.01	DECAL - BOMFORD 65MM	2
*30	00764839	BAR A-FRAME	2
*33	00765325	BRACE STRIP	2
*34	00757949	BAR TOP LINK	1
35	00.372.01	LINCH PIN	2
*35	00766164	MAINFRAME WELDMENT	1
35	05.227.01	HAMMER DRIVE SCREW NO.6 X 3/8"	2
35	05.774.05	SERIAL No.PLATE BOMFORD TURNER	1
36	00766542	BUSH	1
*38	00603500	HITCH PIN	2
38	00.372.01	LINCH PIN	2
*39	1028006	PLATE COVER	1
39	1028007	STRIP-TAPPED	1
*40	0911020100	BEAM ASSEMBLY	1
*41	0911030100	CASTER FORK	1
*42	0911030300	PIN	1
*43	00130010	TAILWHEEL -	1
43	00013701	BEARING	2
43	00765337	SPACER	1
43	00013600	SEAL	2

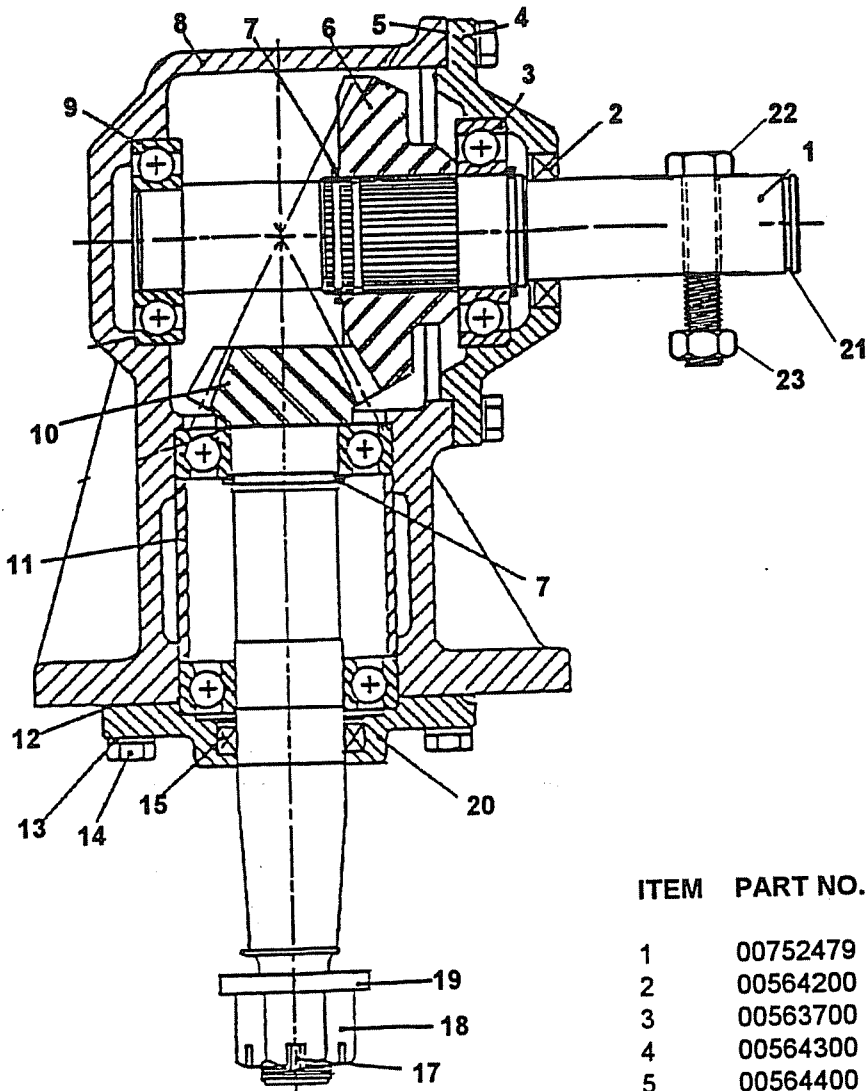
\*MAIN PART IN GROUP, RELATED PARTS HAVE SAME REFERENCE NUMBER



REF	PART NO.	DESCRIPTION	QTY
	76.243.02	RS 12 SLASHER (From Serial No. 1722M-01)	
01	00766590R	DISHPAN	1
02	1046008	BLADE ANTICLOCKWISE	2
03	00761402	BOLT	2
04	15B1400	WASHER	2
05	0141008	NUT 7/8" UNF AERO STANDARD	2
10	45610.04	GUARD FRONT	1
11	45610.01	GUARD REAR CNTR	1
12	45610.02	GUARD REAR RH	1
13	45610.03	GUARD REAR LH	1
15	00759161A	PTO SHAFT	1
20	00758654	BREATHER GEARBOX 1/2" BSP	1
*20	00761655	GEARBOX INC SLOTTED NUT	1
20	7192	CIRCLIP	1
*21	45641.01	GUARD	1
*22	00762985A	BOTTOM BRACKET	1
23	45641.02	BRACKET GUARD	1
26	41748.01	DECAL RS-12	2
27	41346.01	STRAP - TRANSPORT	1
28	41.145.02	DECAL - BOMFORD 40MM	2
29	41.145.01	DECAL - BOMFORD 65MM	2
33	00766505	BAR "A" FRAME	2
*34	00757949R	TOP LINK	1
34	00766542	BUSHING "A" FRAME	1
34	37107B12	TOP LINK PIN	1
*35	00773755R	MAINFRAME	1
35	05.227.01	HAMMER DRIVE SCREW NO.6 X 3/8"	2
35	05.774.05	SERIAL No.PLATE BOMFORD TURNER	1
37	00766611	GAUGE WHEEL MOUNT	1
*38	00603500	WRIST PIN	2
38	00.372.01	LINCH PIN	2
38	00012200	LOCKNUT WASHER	2
38	00603600	NUT	2
40	45619.01	BEAM - TAIL WHEEL	1
41	00773565R	FORK - TAIL WHEEL	1
42	0911030300	SPINDLE - TAIL WHEEL FORK	1
*43	00773567	TAILWHEEL & TYRE -	1
43	00013701	BEARING CONE	2
43	00765337	SPACER	1
43	00013600	SEAL	2
45	00774269R	LUG - HITCH	2
*46	00766610	MOUNTING FLAT	1
46	00773564R	BRACE - REAR	2

\*MAIN PART IN GROUP, RELATED PARTS HAVE SAME REFERENCE NUMBER

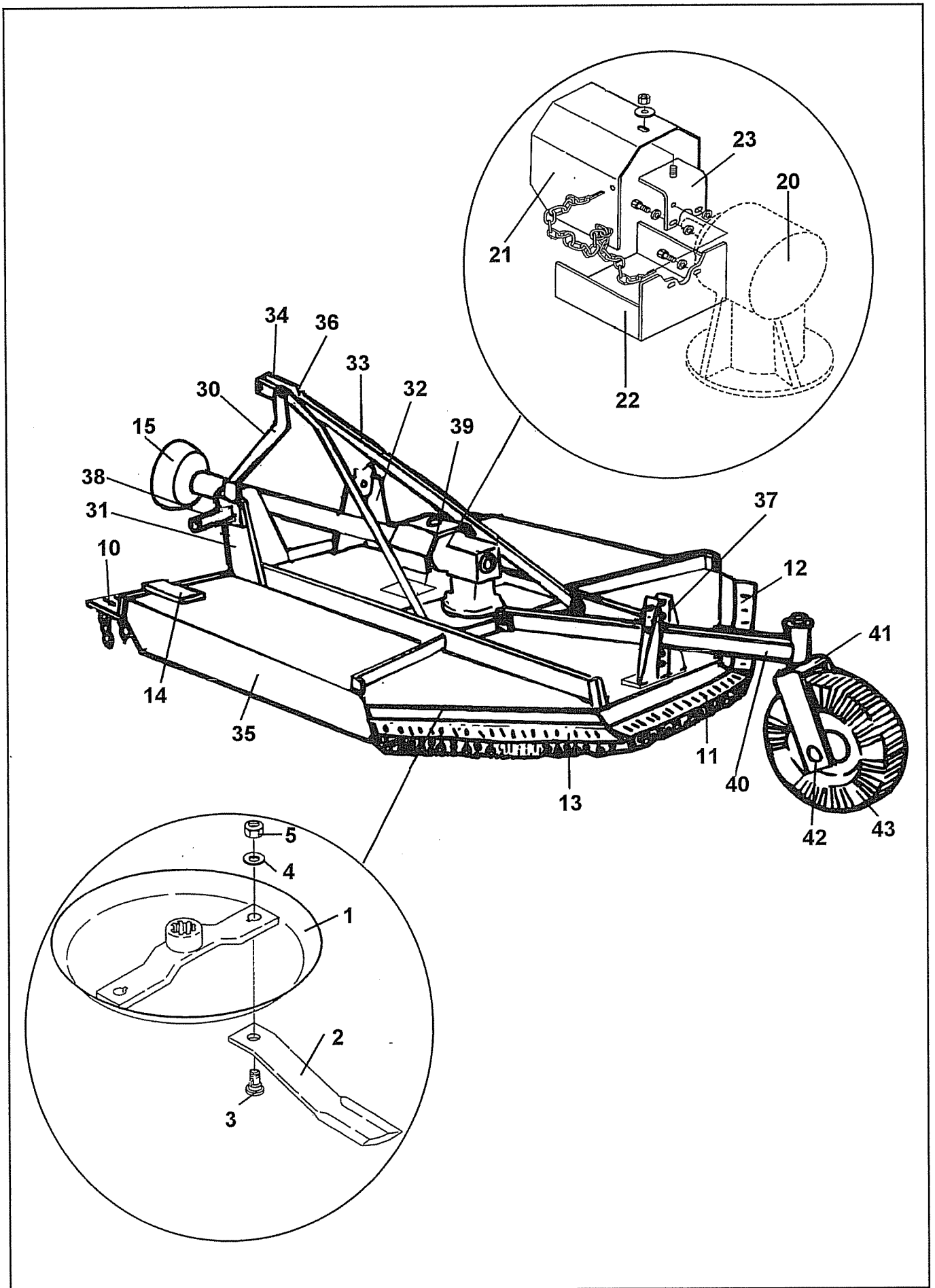
## GEARBOX ASSEMBLY



ITEM	PART NO.	QTY	DESCRIPTION
1	00752479	1	Input Shaft
2	00564200	1	Seal
3	00563700	3	Ball Bearing
4	00564300	1	Input Cap
5	00564400	AR	Gasket
6	00752481	1	Input Gear
7	00564100	3	Retaining Ring
8	00563900	1	Housing
9	00564800	1	Bearing
10	00752480	1	Output Pinion & Shaft
11	00757682	1	Bearing Spacer
12	00760928	AR	Gasket .25
	00760929	AR	Gasket .10
13	02161100	10	Lockwasher
14	00011400	10	Bolt
15	00563500	1	Seal
17	05-03-165	1	Cotter Pin
18	7202	1	Slotted Nut
19	01-00-109	1	Washer
20	00757683	1	Output Cap
21	7192	1	Circlip
22	7A81324	1	Shear Bolt
23	00001800	1	Locknut

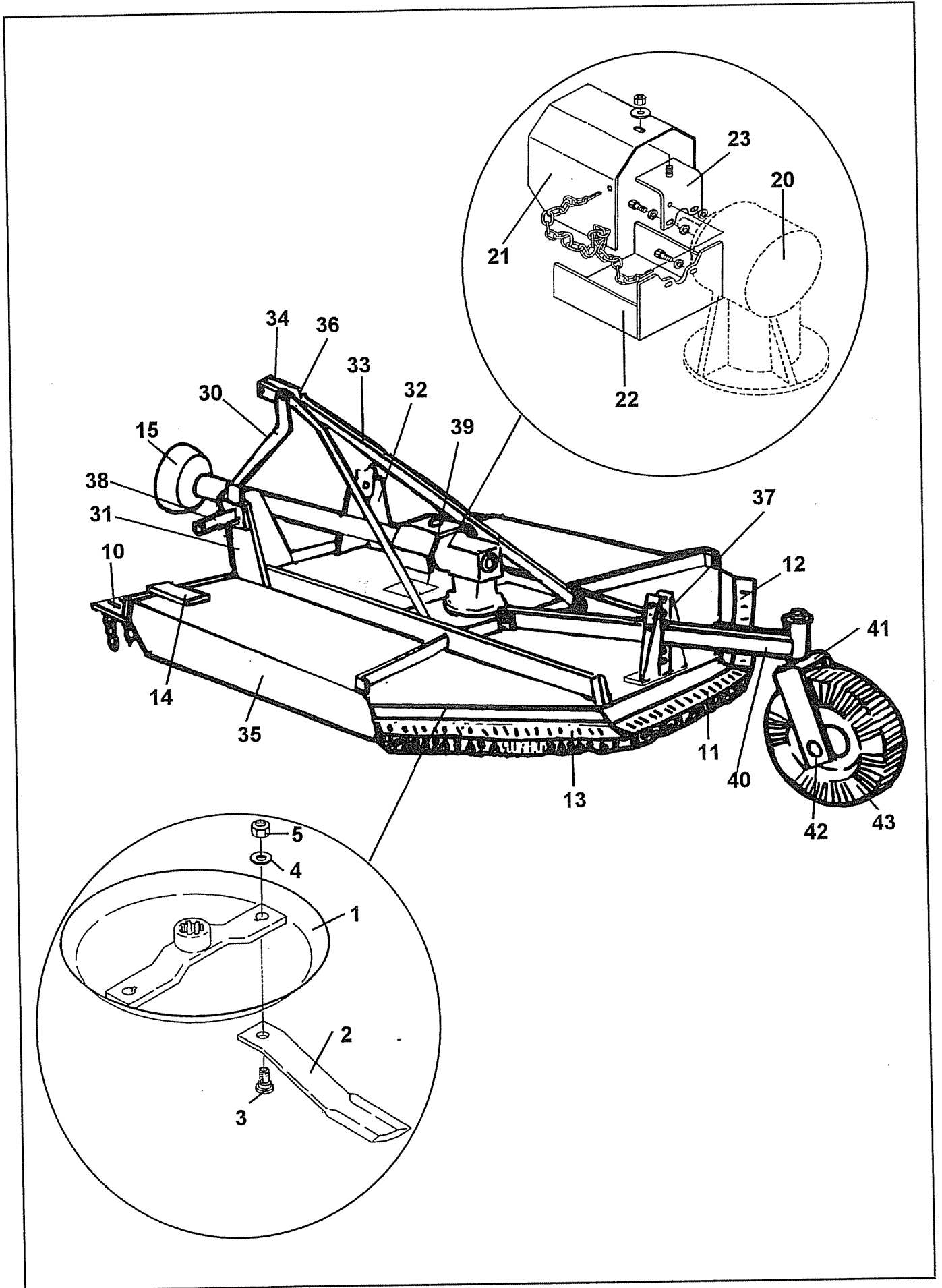


**This page is intentionally left blank.**



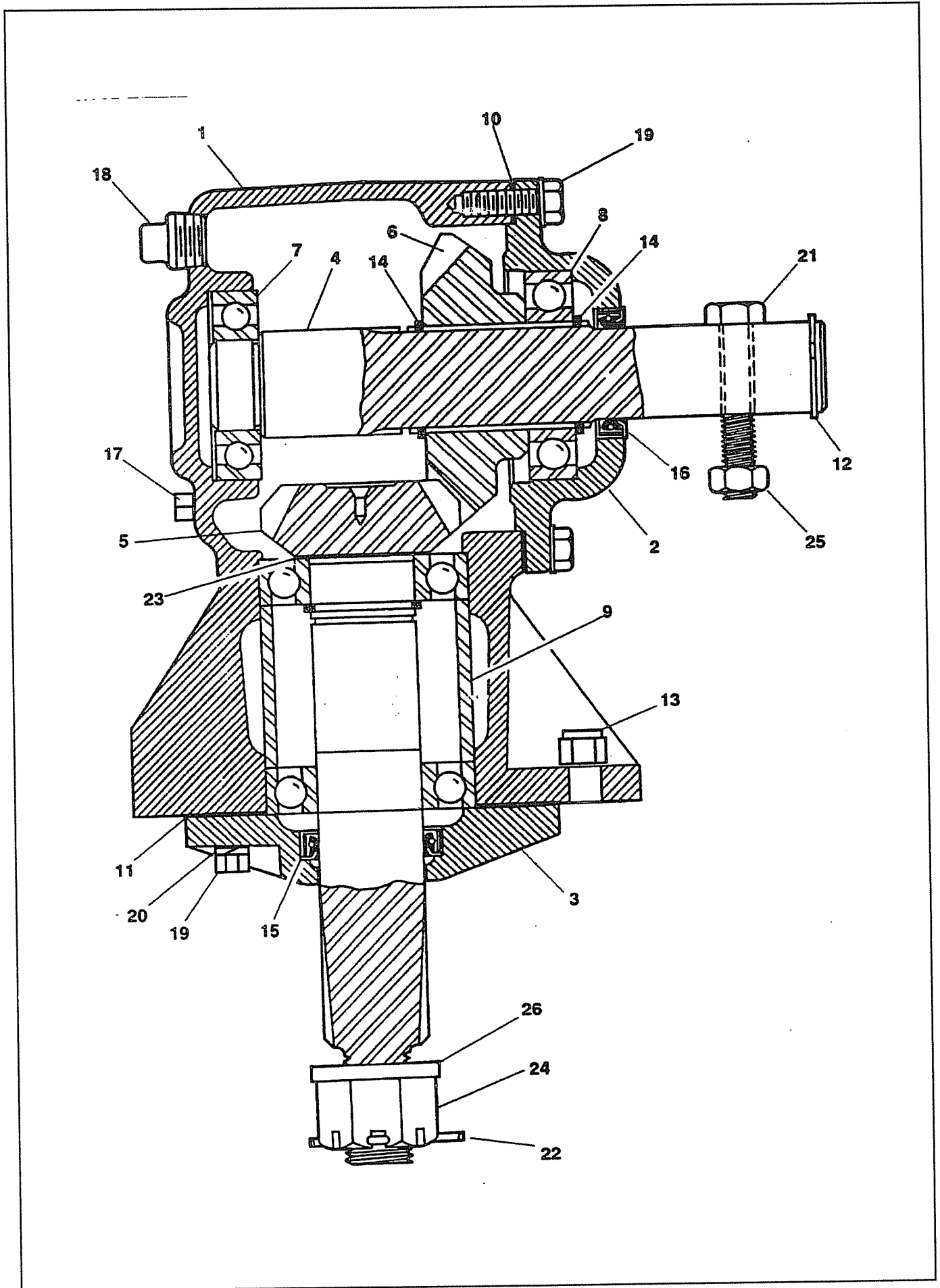
REF	PART NO.	DESCRIPTION	QTY
		<b>76.234.01 RS-15 ROTARY SLASHER 5163</b>	
*01	00766590	BLADE PAN	1
01	05.964.01	SPRING COTTER 3.6MM DIA	1
02	00764665	BLADE SE-5 ANTICLOCKWISE	2
03	00761402	BOLT	2
04	00761535	WASHER	2
05	0141008	NUT 7/8" UNF CLEVELOCK	2
10	00766575	CHAINGUARD FRONT	1
11	00766560	CHAINGUARD REAR CENTRE	1
12	00766564	CHAINGUARD REAR RH	1
13	00766567	CHAINGUARD REAR LH	1
14	00766610	MOUNTING FLAT	1
*15	00759318	PTO SHAFT SE-5	1
15	43204.01	SLIPCLUTCH ASSY RS15/18	0
20	00758654	BREATHER GEARBOX 1/2" BSP	1
*20	0711050100	GEARBOX INC SLOTTED NUT	1
21	00766581	PLATE 2 - 606 X 305	1
22	00766526	PLATE BRKT BOTTOM	1
23	00766559	HOOD BRACKET	1
30	00766505	BAR "A" FRAME	2
*31	00766586	PLATE HITCH EAR LH	1
31	05.264.24	SETSCREW M12 X 35MM PLATED*	4
31	05.264.25	SETSCREW M12 X 40MM PLATED*	2
31	05.281.03	FLAT WASHER 12MM PLATED*	1
31	05.287.03	SELF-LOCKING NUT M12 PLATED*	3
32	00766587	PLATE HITCH EAR RH	1
33	00766506	BAR LIFT STRAP	2
34	00766540	LINK TOP	1
35	00766609	WELDMENT DECK	1
36	00766542	BUSHING "A" FRAME	1
*37	00766611	GAUGE WHEEL MOUNT	1
37	05.281.14	FLAT WASHER 14MM	4
37	05.968.06	S.LOCKING NUT M14 (FINE) PLATE	4
37	9200016	M14 X 1.5 SETSCREW 40 LG	4
*38	00.372.01	LINCH PIN	2
38	00603500	WRIST PIN	2
39	05.264.12	SETSCREW M10 X 25MM PLATED*	2
*39	1028006	PLATE COVER	1
39	1028007	STRIP TAPPED	1
40	00766517	TAILWHEEL BEAM	1
41	00766523	CASTOR FORK	1
42	0891030300	PIN	1
42	5JRC16140	LOCKNUT	1
43	00013600	SEAL	0
*43	00130010	WHEEL TYRE / INNER RACES	1
43	00750621	BEARING ) order	0
43	00013701	BEARING CONE ) both	0
43	00765337	SPACER	2
43	05.953.01	GREASE NIPPLE M6*	1
43	41346.01	STRAP - TRANSPORT	1
43	9213266	M12 X 130MM HEX.HD.BOLT HT	4
45	42255.01	SPACER - FRONT GUARD	2

\*MAIN PART IN GROUP, RELATED PARTS HAVE SAME REFERENCE NUMBER



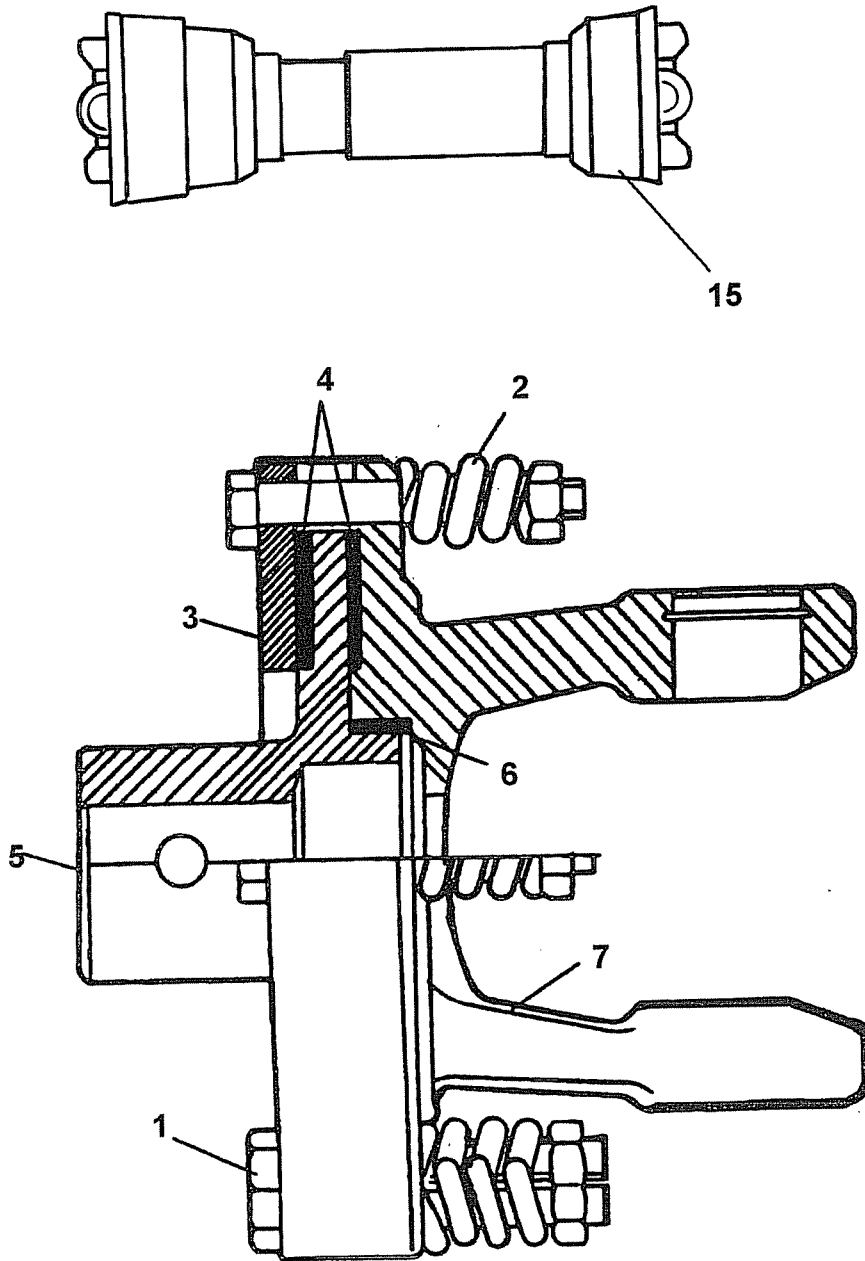
REF	PART NO.	DESCRIPTION	QTY
	<b>76.236.01</b>	<b>RS 18 ROTARY SLASHER</b>	
01	00766638 ▲	BLADE PAN	1
01	00770064	BLADE PAN	1
02	00764667 ▲	BLADE	2
02	1046006	BLADE	2
03	00761402	BOLT	2
04	00761535	WASHER	2
05	0141008	NUT 7/8" UNF AERO STANDARD	2
10	00766539	CHAINGUARD FRONT	1
11	00766529	CHAINGUARD REAR CENTRE	1
12	00766522	CHAINGUARD REAR RH	1
13	00766527	CHAINGUARD REAR LH	1
14	00766536	MOUNTING FLAT	2
15	00759318	PTO SHAFT	1
20	00758654	BREATHER GEARBOX 1/2" BSP	1
*20	0711050100	GEARBOX INC SLOTTED NUT	1
21	00766581	PLATE SHIELD	1
22	00766526	PLATE BRKT BOTTOM	1
23	00766559	HOOD BRACKET	1
30	00766595	BAR "A" FRAME	2
*31	00766586	PLATE HITCH EAR LH	1
31	05.264.24	SETSCREW M12 X 35MM PLATED	4
31	05.264.25	SETSCREW M12 X 40MM PLATED	2
31	05.281.03	FLAT WASHER 12MM PLATED	1
31	05.287.03	SELF-LOCKING NUT M12 PLATED	3
32	00766587	PLATE HITCH EAR RH	1
33	00766591 ▲	BAR LIFT STRAP	2
33	00766540	BAR LIFT STRAP	2
34	00766540	LINK TOP	1
35	00766632 ▲	WELDMENT DECK	1
35	00766632R	WELDMENT DECK	1
36	00766542	BUSHING "A" FRAME	1
*37	00766611	GAUGE WHEEL MOUNT	1
37	00766610	MOUNTING FLAT	1
37	05.281.14	FLAT WASHER 14MM	4
37	05.292.21	BOLT M12 X 80MM PLATED	2
37	05.968.06	S.LOCKING NUT M14 (FINE) PLATE	4
37	9200016	M14 X 1.5 SETSCREW 40 LG	4
38	00.372.01	LINCH PIN	2
*38	00603500	WRIST PIN	2
39	05.264.12	SETSCREW M10 X 25MM PLATED	2
39	05.294.03	SHAKEPROOF WASHER 3/8" PLATED	2
*39	1028006	PLATE COVER	1
39	1028007	STRIP TAPPED	1
40	00766588 ▲	TAILWHEEL BEAM	1
40	00771599	TAILWHEEL BEAM	1
41	00766523	CASTOR FORK	1
42	00766603	SPINDLE C/W LOCK NUT	1
*43	00130010	WHEEL TYRE / INNER RACES	1
43	00013701	BEARING CONE ) order	0
43	00750621	BEARING ) both	0
43	00765337	SPACER	1
43	00013600	SEAL	2
43	05.953.01	GREASE NIPPLE M6	1
43	0891030300	PIN	1
45	42255.01	SPACER - FRONT GUARD	2
46	41346.01	STRAP - TRANSPORT	1

▲ For machines up to and including 3424J/98



ITEM	PART NO.	QTY.	DESCRIPTION
1	00563900	1	MAIN HOUSING
2	00564300	1	FRONT HOUSING
3	00757683	1	BEARING RETAINER CAP
4	00564700	1	SHAFT, INPUT
5	00564000	1	SHAFT & PINION GEAR
6	00564600	1	INPUT GEAR
7	00564800	1	BALL BEARING
8	00563700	3	BALL BEARING
9	00757682	1	BEARING SPACER
10	00564400	AR	SHIMS
11	00760929	AR	GASKET .25
-	00760928	AR	GASKET .1
12*	7192	1	RETAINING RING
13	02956948	4	LOCKNUT
14	00564100	3	RETAINING RING
15	00563500	1	OIL SEAL
16	00564200	1	OIL SEAL
17	00565000	1	PIPE PLUG
18	00749508	1	PIPE PLUG
19	00011400	6	BOLT
20	02161100	10	LOCKWASHER, EXT. TOOTH
21*	02-12-245	1	BOLT
22	05-03-245	1	COTTER PIN
23	00758671	AR	SHIM - GEAR
24	7202	1	HEXSLOTTED NUT
25*	00001800	1	LOCKNUT
26	6192	1	FLAT WASHER SPECIAL

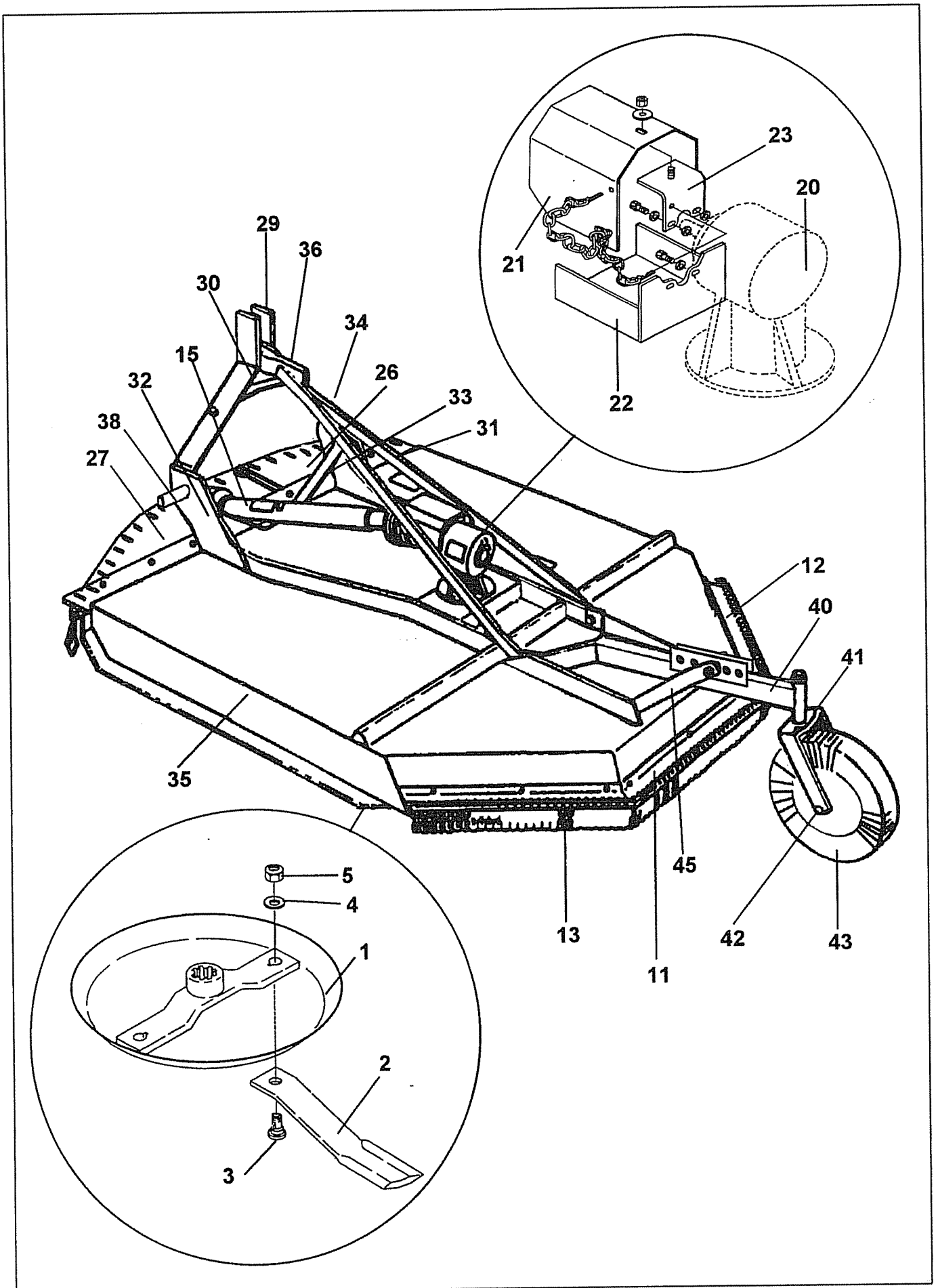
\* NOT INCLUDED w/GEARBOX ASSEMBLY

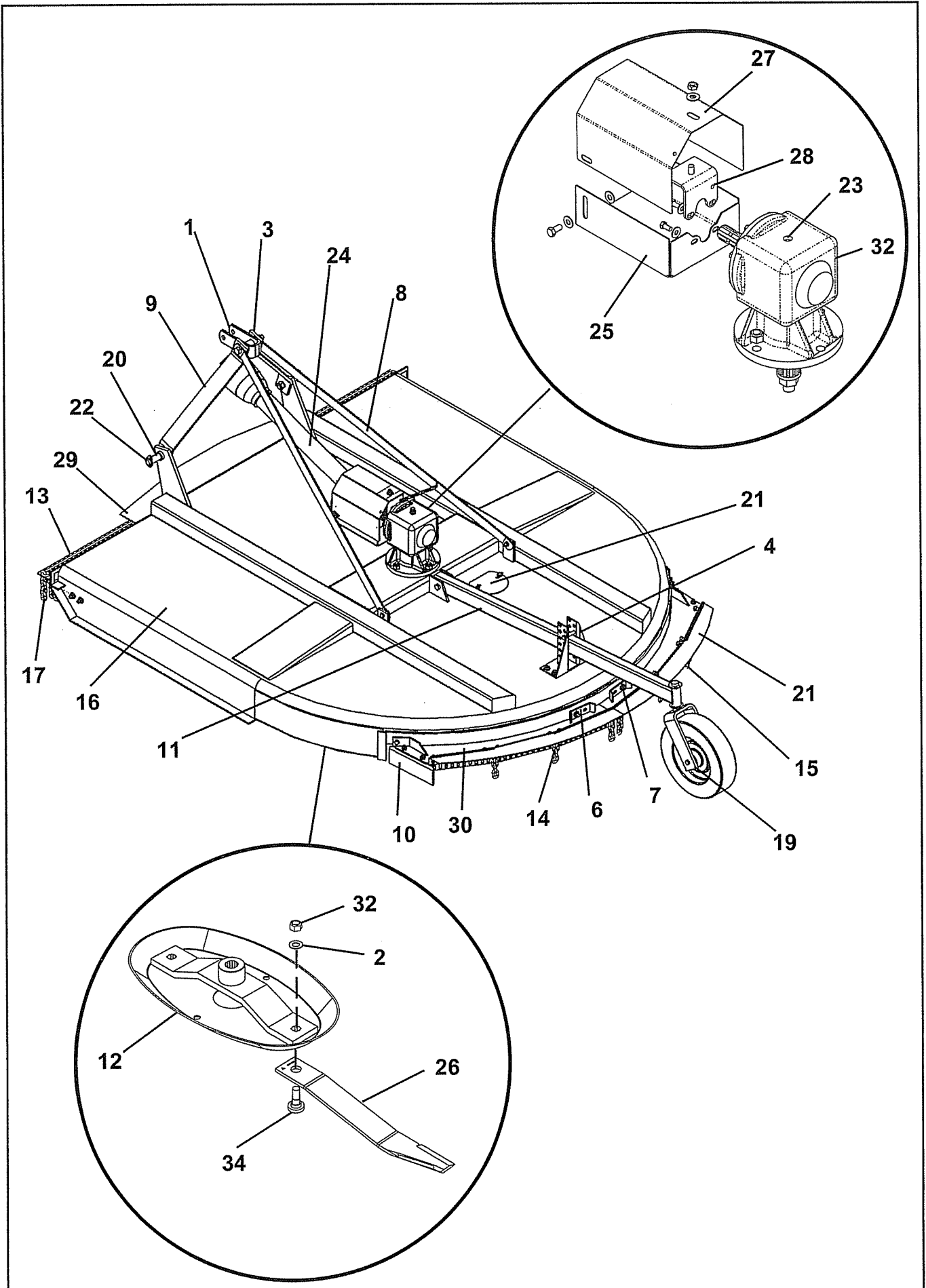


ITEM	PART NO.	QTY.	DESCRIPTION
1	-	8	NUT & BOLT
2	-	8	SPRING
3	-	1	OUTER FLANGE
4	00752902	2	FRICTION LINING
5	-	1	BODY
6	-	1	SPACER
7	-	1	YOKE
8	-	1	DIRT SHIELD
15	00759318	1	SHAFT ASSEMBLY



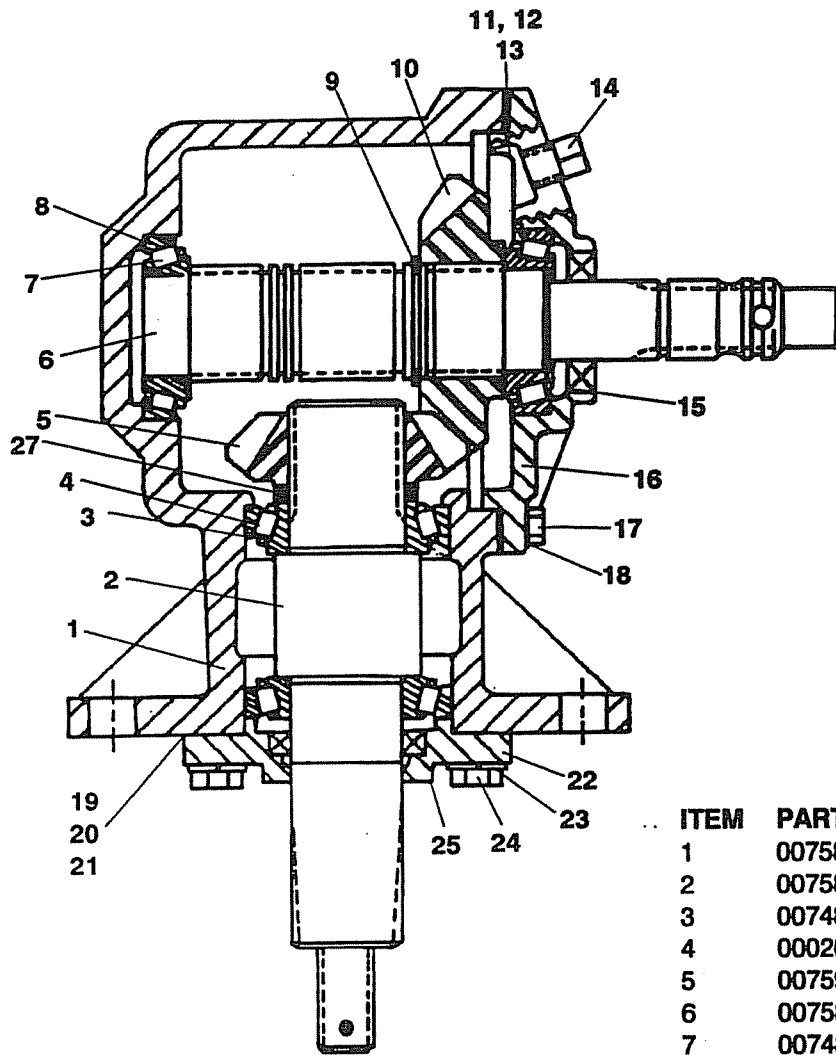
**This page is intentionally left blank.**



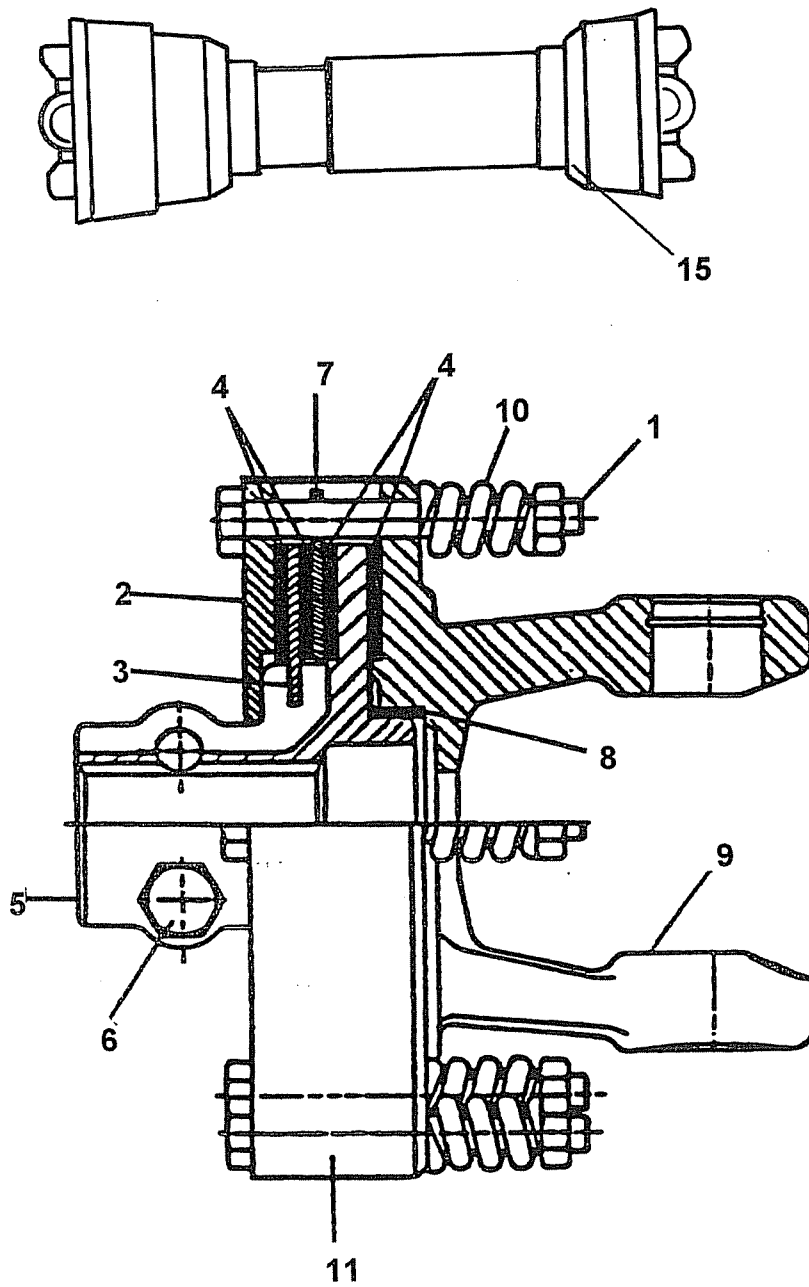


REF	PART NO.	DESCRIPTION	QTY
76.397.68		RS21 ROUND DECK ROTARY SLASHER	
01	00757949	BAR TOP LINK	1
02	00758579	WASHER	2
03	00766542	BUSHING "A" FRAME	1
04	00766611	GAUGE WHEEL MOUNT	1
06	00773997	REAR CHAIN GUARD MOUNT PLATE	1
07	00773998	REAR CHAIN GUARD MOUNT PLATE	1
08	00776050	BAR LIFT STRAP	2
09	00776052	BAR A FRAME	2
10	00776055	CHAIN GUARD PLATE REAR	2
11	00776059	TAILWHEEL BEAM	1
12	00776060	BLADE PAN	1
13	00776065	CHAIN GUARD ASS'Y	2
14	00776066	CHAIN GUARD LH	1
15	00776067	CHAIN GUARD RH	1
16	00776070	DECK	1
17	00776078	CHAIN GUARD FRONT HALF	2
19	00776210	CASTER FORK & WHEEL	1
20	441027	PIN CAT II	2
21	5710121	COVER PLATE	1
22	00.372.01	LINCH PIN	2
23	00758654	BREATHER GEARBOX 1/2" BSP	1
24	00761329	PTO SHAFT	1
25	00762985A	GUARD	1
26	00764669	BLADE ANTICLOCKWISE	2
27	45641.01	GUARD	1
28	45641.12	BRACKET - PTO GUARD	1
29	45799.01	FRONT GUARD ASS'Y	1
30	45799.31	SKIRT PLATE	1
31	45799.32	SKIRT PLATE	1
32	5JRC16140	LOCKNUT	2
33	741031M	GEARBOX	1
34	8251	SPECIAL BLADE BOLT	

RS 21 GEARBOX ASSEMBLY



ITEM	PART NO.	QTY	DESCRIPTION
1	00758989	1	Housing
2	00758990	1	Output Shaft
3	00748522	2	Bearing Cone
4	00020600	2	Bearing Cup
5	00759055	1	Output Gear - 14 Teeth
6	00758991	1	Input Shaft
7	00748527	2	Bearing Cone
8	00748525	2	Bearing Cup
9	00748526	1	Retaining Ring
10	00759054	1	Input Gear - 17 Teeth
11	7010420	AR	Gasket 0.3
12	7010420	AR	Gasket 0.15
13	7010420	AR	Gasket 0.1
14	00753630	2	Pipe Plug
15	00753644	1	Seal
16	741035	1	Input Cap
17	00753642	8	Capscrew
18	00753633	8	Lockwasher
19	00748520	AR	Gasket 0.3
20	00748520	AR	Gasket 0.15
21	00748520	AR	Gasket 0.1
22	00752155	1	Output Cap
23	00753743	4	Lockwasher
24	00748823	4	Capscrew
25	00753634	1	Seal
26	00753631	1	Pipe Plug (Not Shown)
27	00759053	1	Spacer
			AR - As Required



ITEM	PART NO.	QTY.	DESCRIPTION
1	00754199	8	NUT & BOLT
2	00754203	1	PRESSURE PLATE
3	00754201	1	INNER PLATE
4	00754202	4	CLUTCHLINING
5	00754300	1	CLUTCHBODY
6	00752903	2	BOLT & NUT SET
7	00754314	1	PLATE WITH HOLES
8	00754301	1	SPACER
9	00754302	1	YOKE
10	00754303	8	CLUTCH SPRING
15	00761329	1	SHAFT ASSEMBLY

REF	PART NO.	DESCRIPTION	QTY
	76.235.01	DECALS	
01	09.811.04	DECAL - MAX PTO SPEED 540 ACW	1
02	09.821.01	DECAL - READ INSTRUCTION BOOK	1
03	09.821.10	DECAL - KEEP NUTS TIGHT	1
04	09.821.16	DECAL - KEEP OUT ZONE	1
05	09.821.17	DECAL - UNSUPPORTED MACHINE	1
06	09.821.18	DECAL - THROWN DEBRIS	1
08	09.821.19	DECAL - ROTARY HEAD DANGER	1
09	09.821.20	DECAL - SHAFT ENTANGLEMENT	1
10	00763612	TAG SLIP CLUTCH	1
10	09.821.22	DECAL - UNBLOCK HEAD(ROTARY)	1
11	09.837.02	DECAL - BOMFORD	2
13	05.227.01	HAMMER DRIVE SCREW NO.6 X 3/8"	2
12	09.837.01	DECAL - BOMFORD	2
13	00756004	DECAL - DRIVELINE MISSING	1
13	05.774.06	SERIAL NO.PLATE BOMFORD TURNER	1
14	41748.01	DECAL RS - 12	2
15	41748.02	DECAL RS - 15	2
16	41748.03	DECAL RS - 18	2
17	41748.03	DECAL RS - 21	2

**RS RANGE OF ROTARY SLASHERS**

NOTE: PAGE ILLUSTRATION NUMBERS SHOWN ARE USED ONLY FOR REFERENCE PURPOSES AND SHOULD NOT BE USED FOR ORDERING SPARE PARTS.

PLEASE ENSURE THE CORRECT PART NUMBER AND DESCRIPTION IS GIVEN WHEN ORDERING SPARE PARTS.

FOR MACHINES WITH SERIAL NUMBERS COMMENCING FROM: .....

<b>Page No.</b>	<b>Title</b>
2-1 TO 2-4	RS 12 ROTARY SLASHER
3-1	RS 12 GEARBOX
4-1 TO 4-2	RS 15 ROTARY SLASHER
5-1 TO 5-2	RS 18 ROTARY SLASHER
6-1 TO 6-2	RS 15-18 GEARBOX
7-1	RS 15-18 PTO AND SLIP CLUTCH
8-1 TO 8-4	RS 21 ROTARY SLASHER
9-1	RS 21 GEARBOX
10-1	RS 21 PTO AND SLIP CLUTCH
11-1	DECALS

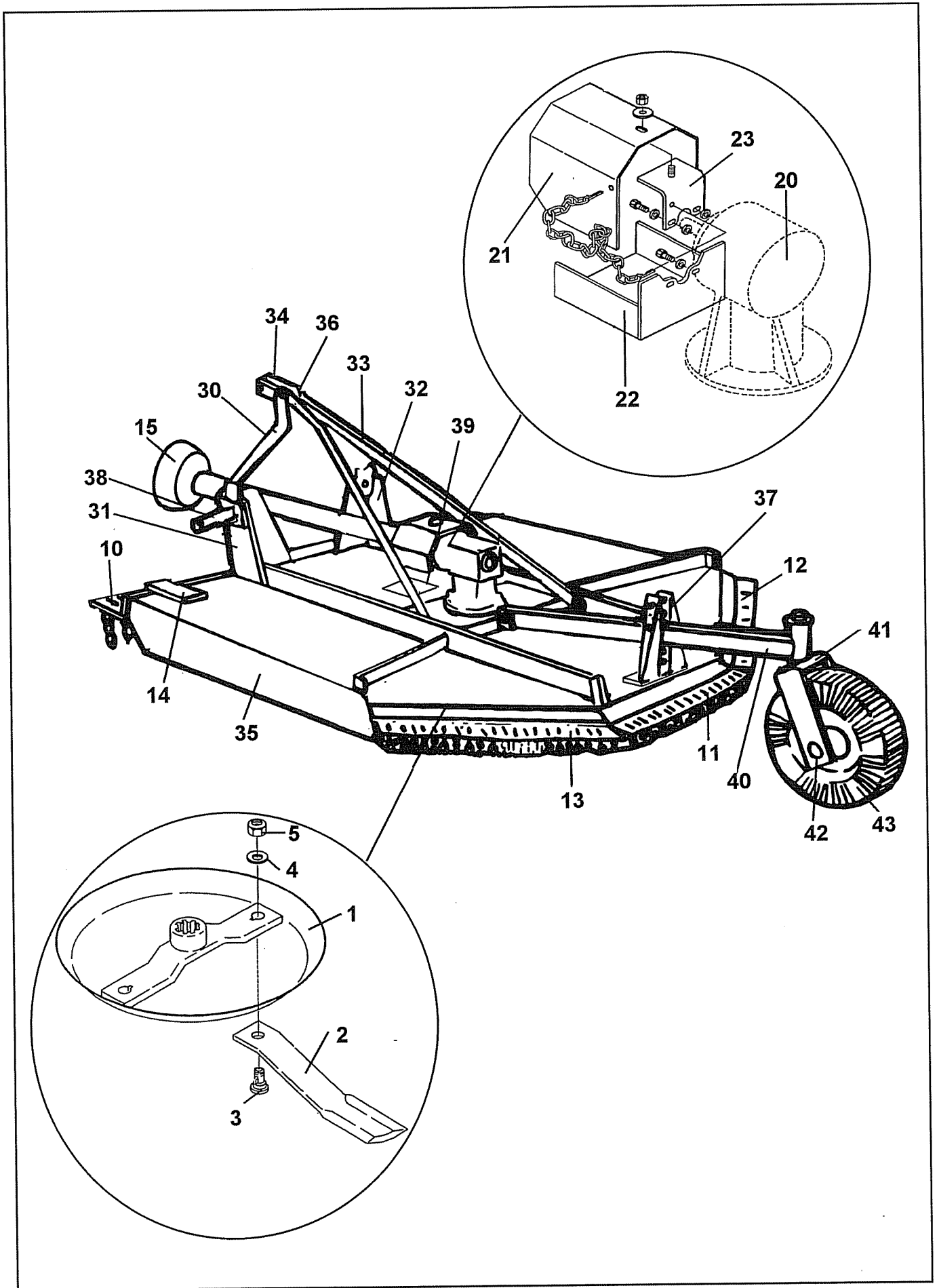
**IMPORTANT**

THIS MACHINE IS FOR VEGETATION CONTROL AND **MUST NOT** BE USED FOR ANY OTHER PURPOSE

IT IS POTENTIALLY HAZARDOUS TO FIT OR USE ANY PARTS OTHER THAN **GENUINE BOMFORD TURNER PARTS**

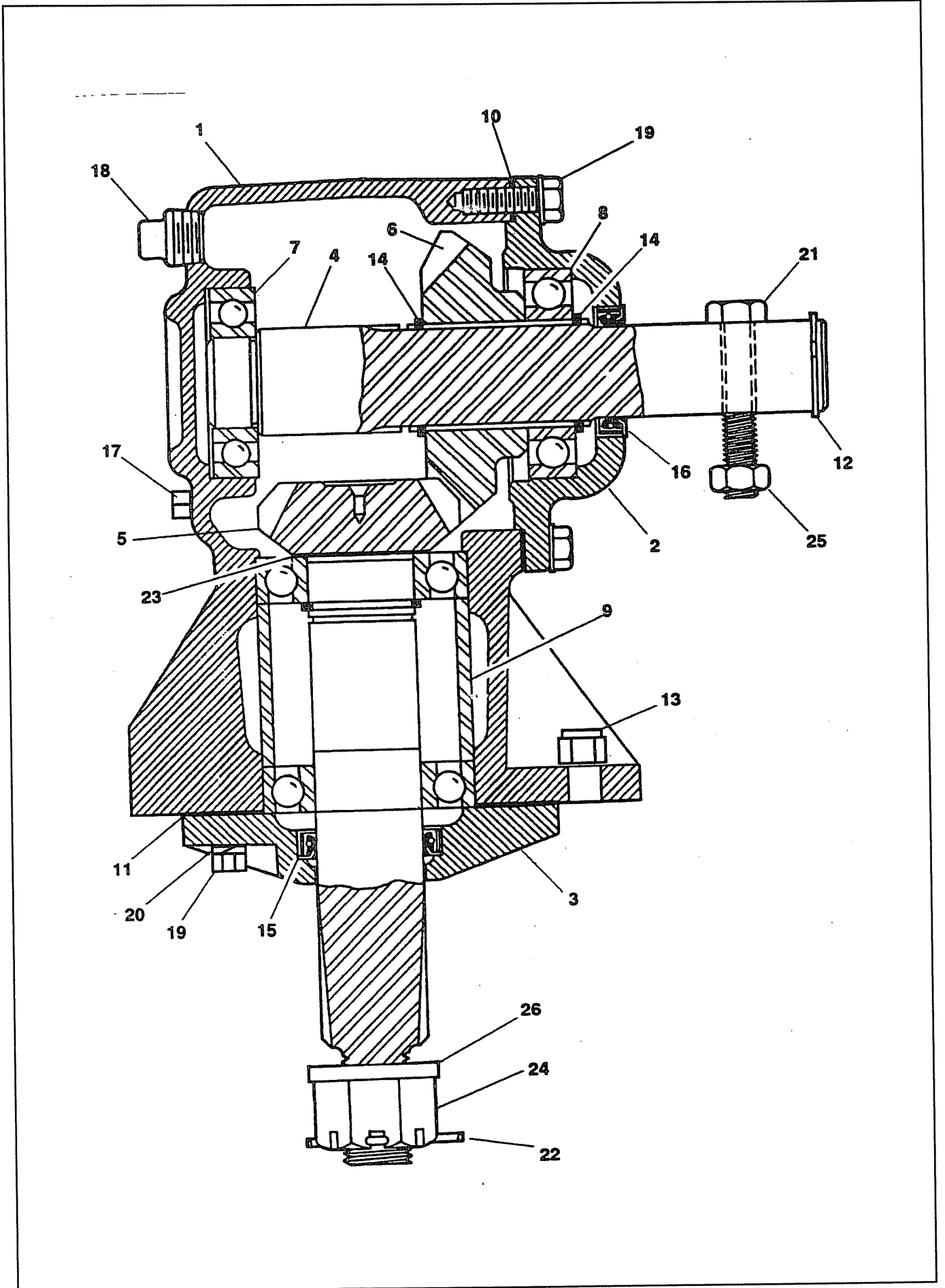
THE COMPANY DISCLAIMS ALL LIABILITY FOR THE CONSEQUENCES OF SUCH USE WHICH, IN ADDITION, VOIDS THE MACHINE WARRANTY





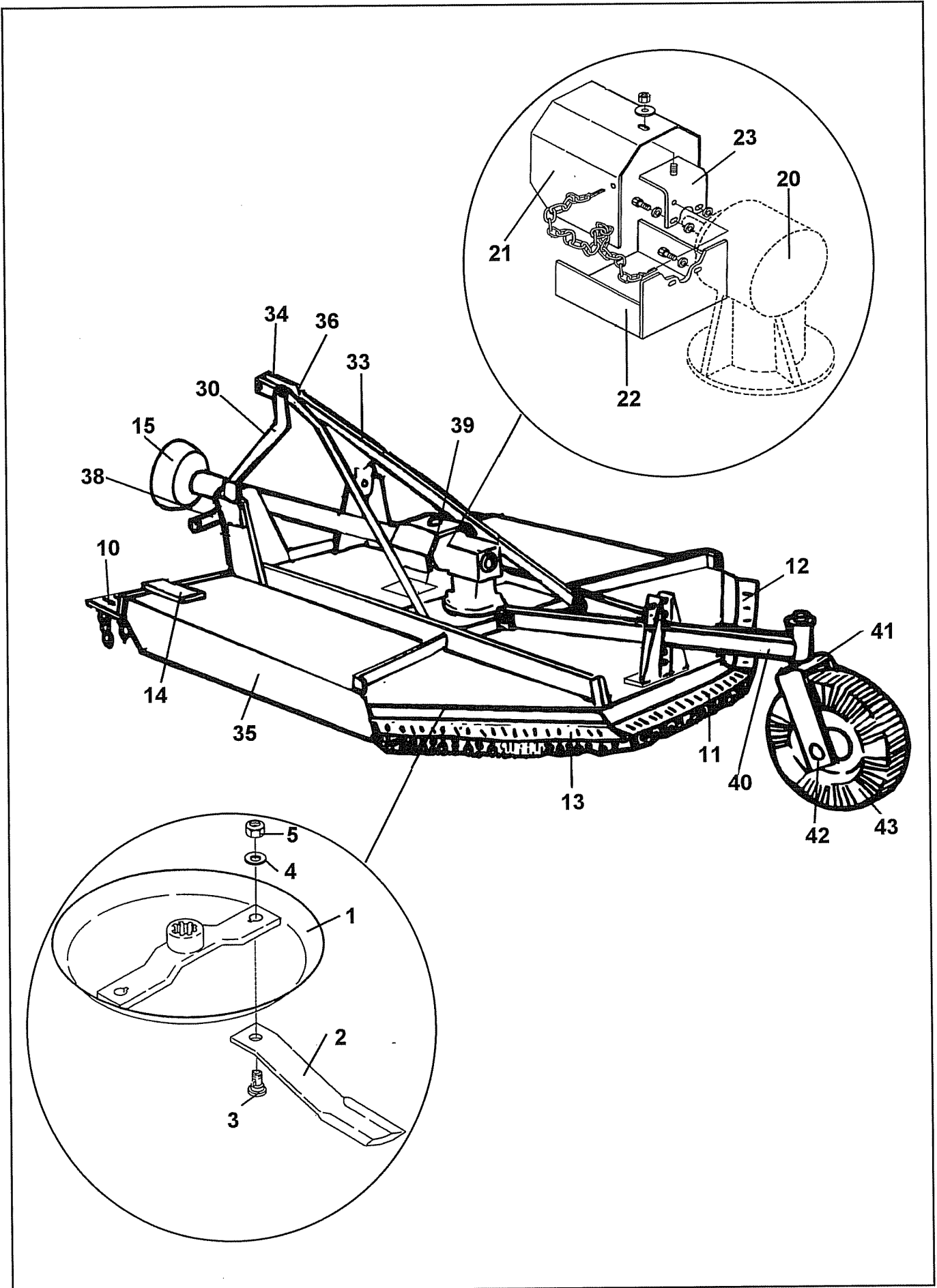
REF	PART NO.	DESCRIPTION	QTY
	<b>76.236.01</b>	<b>RS 18 ROTARY SLASHER</b>	
01	00766638 ▲	BLADE PAN	1
01	00770064	BLADE PAN	1
02	00764667 ▲	BLADE	2
02	1046006	BLADE	2
03	00761402	BOLT	2
04	00761535	WASHER	2
05	0141008	NUT 7/8" UNF AERO STANDARD	2
10	00766539	CHAINGUARD FRONT	1
11	00766529	CHAINGUARD REAR CENTRE	1
12	00766522	CHAINGUARD REAR RH	1
13	00766527	CHAINGUARD REAR LH	1
14	00766536	MOUNTING FLAT	2
15	00759318	PTO SHAFT	1
20	00758654	BREATHER GEARBOX 1/2" BSP	1
*20	0711050100	GEARBOX INC SLOTTED NUT	1
21	00766581	PLATE SHIELD	1
22	00766526	PLATE BRKT BOTTOM	1
23	00766559	HOOD BRACKET	1
30	00766595	BAR "A" FRAME	2
*31	00766586	PLATE HITCH EAR LH	1
31	05.264.24	SETSCREW M12 X 35MM PLATED	4
31	05.264.25	SETSCREW M12 X 40MM PLATED	2
31	05.281.03	FLAT WASHER 12MM PLATED	1
31	05.287.03	SELF-LOCKING NUT M12 PLATED	3
32	00766587	PLATE HITCH EAR RH	1
33	00766591 ▲	BAR LIFT STRAP	2
33	00766540	BAR LIFT STRAP	2
34	00766540	LINK TOP	1
35	00766632 ▲	WELDMENT DECK	1
35	00766632R	WELDMENT DECK	1
36	00766542	BUSHING "A" FRAME	1
*37	00766611	GAUGE WHEEL MOUNT	1
37	00766610	MOUNTING FLAT	1
37	05.281.14	FLAT WASHER 14MM	4
37	05.292.21	BOLT M12 X 80MM PLATED	2
37	05.968.06	S.LOCKING NUT M14 (FINE) PLATE	4
37	9200016	M14 X 1.5 SETSCREW 40 LG	4
38	00.372.01	LINCH PIN	2
*38	00603500	WRIST PIN	2
39	05.264.12	SETSCREW M10 X 25MM PLATED	2
39	05.294.03	SHAKEPROOF WASHER 3/8" PLATED	2
*39	1028006	PLATE COVER	1
39	1028007	STRIP TAPPED	1
40	00766588 ▲	TAILWHEEL BEAM	1
40	00771599	TAILWHEEL BEAM	1
41	00766523	CASTOR FORK	1
42	00766603	SPINDLE C/W LOCK NUT	1
*43	00130010	WHEEL TYRE / INNER RACES	1
43	00013701	BEARING CONE ) order	0
43	00750621	BEARING ) both	0
43	00765337	SPACER	1
43	00013600	SEAL	2
43	05.953.01	GREASE NIPPLE M6	1
43	0891030300	PIN	1
45	42255.01	SPACER - FRONT GUARD	2
46	41346.01	STRAP - TRANSPORT	1

▲ For machines up to and including 3424J/98



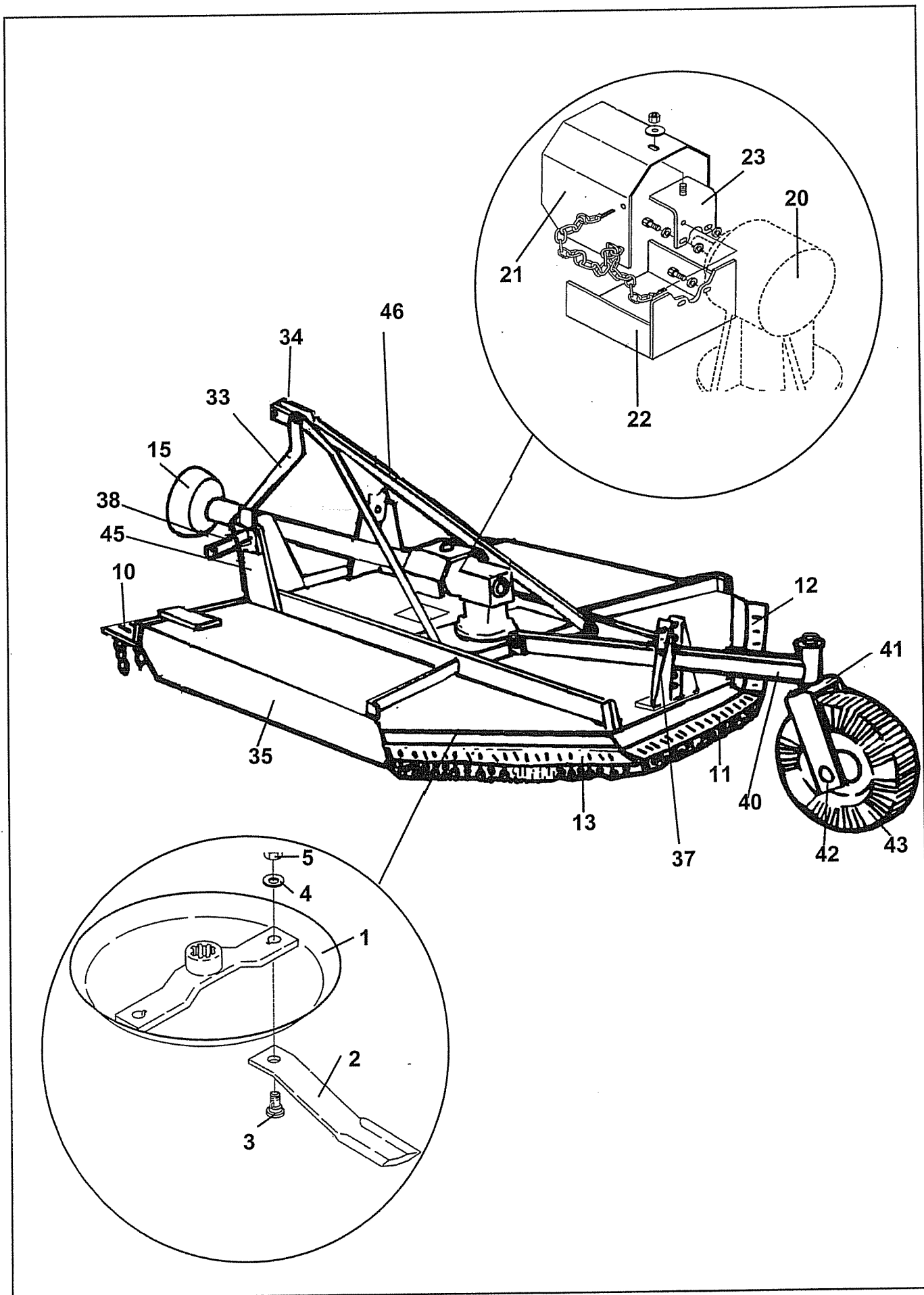
REF	PART NO.	DESCRIPTION	QTY
	<b>76.244.01</b>	<b>RS 21 SLASHER</b>	
01	00766159	DISHPAN W/ASSY	1
02	00764669	BLADE ANTICLOCKWISE	2
03	8251	BOLT	2
04	9216	WASHER	2
05	5JRC16140	LOCKNUT	2
11	7521M	GUARD REAR CNTR SE7 MOD'D	1
12	7528M	GUARD REAR R H SE7 MOD'D	1
13	7529M	GUARD REAR L H SE7 MOD'D	1
15	00761329	PTO SHAFT SE-7	1
20	00758654	BREATHER GEARBOX 1/2" BSP	1
*20	741031	GEARBOX SE-7	1
21	00764254	SHIELD PLATE	1
22	00762985	BOTTOM BRACKET	1
23	7540	BRACKET HOOD	1
26	00763040	GUARD FRONT R H SE7 MOD'D	1
27	00763041	GUARD FRONT L H SE7 MOD'D	1
29	8105	FRONT HITCH RH	1
30	8121	FRONT HITCH LH	1
31	8660	HITCH EAR RH	1
32	8661	HITCH EAR LH	1
33	8103	HITCH BRACE	2
34	7518	REAR BRACE	2
*35	00766158	MAINSHIELD W/ASSY	1
35	05.227.01	HAMMER DRIVE SCREW NO.6 X 3/8"	2
35	05.774.05	SERIAL No.PLATE BOMFORD TURNER	1
36	8659	TOP LINK	1
40	1028262	BEAM TAIL WHEEL	1
41	00762747	WHEEL MOUNT	1
42	0891030300	SPINDLE	1
43	0891030200	WHEEL	1
45	8665	ADJUSTING FLAT	2

\*MAIN PART IN GROUP, RELATED PARTS HAVE SAME REFERENCE NUMBER



REF	PART NO.	DESCRIPTION	QTY
	<b>76.243.01</b>	<b>RS 12 SLASHER-01) (Prior to Serial No 1721M</b>	
00	05.281.02	FLAT WASHER 10MM PLATED FORM C	4
*01	00766165	DISHPAN	1
*02	00764666	BLADE ANTICLOCKWISE	2
*03	00761402	BOLT	2
*04	00761535	WASHER	2
*05	0141008	NUT 7/8" UNF AERO STANDARD	2
*10	0911100100M	GUARD FRONT	1
*11	00761589M	GUARD REAR CNTR	1
*12	00761591M	GUARD REAR RH	1
*13	00761590M	GUARD REAR OUTER LH MOD'D	1
14	0212325	BOLT 1/2" UNC x 4" LONG	4
*14	0901100102	MOUNTING FLAT	2
*15	00759161A	PTO SHAFT	1
20	00758654	BREATHER GEARBOX 1/2" BSP	1
*20	00761655	GEARBOX INC SLOTTED NUT	1
*21	00764254	SHIELD PLATE	1
*22	00762985	BOTTOM BRACKET	1
23	7540	BRACKET HOOD	1
26	41748.01	DECAL RS-12	2
27	41346.01	STRAP - TRANSPORT	1
28	41.145.02	DECAL - BOMFORD 40MM	2
29	41.145.01	DECAL - BOMFORD 65MM	2
*30	00764839	BAR A-FRAME	2
*33	00765325	BRACE STRIP	2
*34	00757949	BAR TOP LINK	1
35	00.372.01	LINCH PIN	2
*35	00766164	MAINFRAME WELDMENT	1
35	05.227.01	HAMMER DRIVE SCREW NO.6 X 3/8"	2
35	05.774.05	SERIAL No.PLATE BOMFORD TURNER	1
36	00766542	BUSH	1
*38	00603500	HITCH PIN	2
38	00.372.01	LINCH PIN	2
*39	1028006	PLATE COVER	1
39	1028007	STRIP-TAPPED	1
*40	0911020100	BEAM ASSEMBLY	1
*41	0911030100	CASTER FORK	1
*42	0911030300	PIN	1
*43	00130010	TAILWHEEL -	1
43	00013701	BEARING	2
43	00765337	SPACER	1
43	00013600	SEAL	2

\*MAIN PART IN GROUP, RELATED PARTS HAVE SAME REFERENCE NUMBER

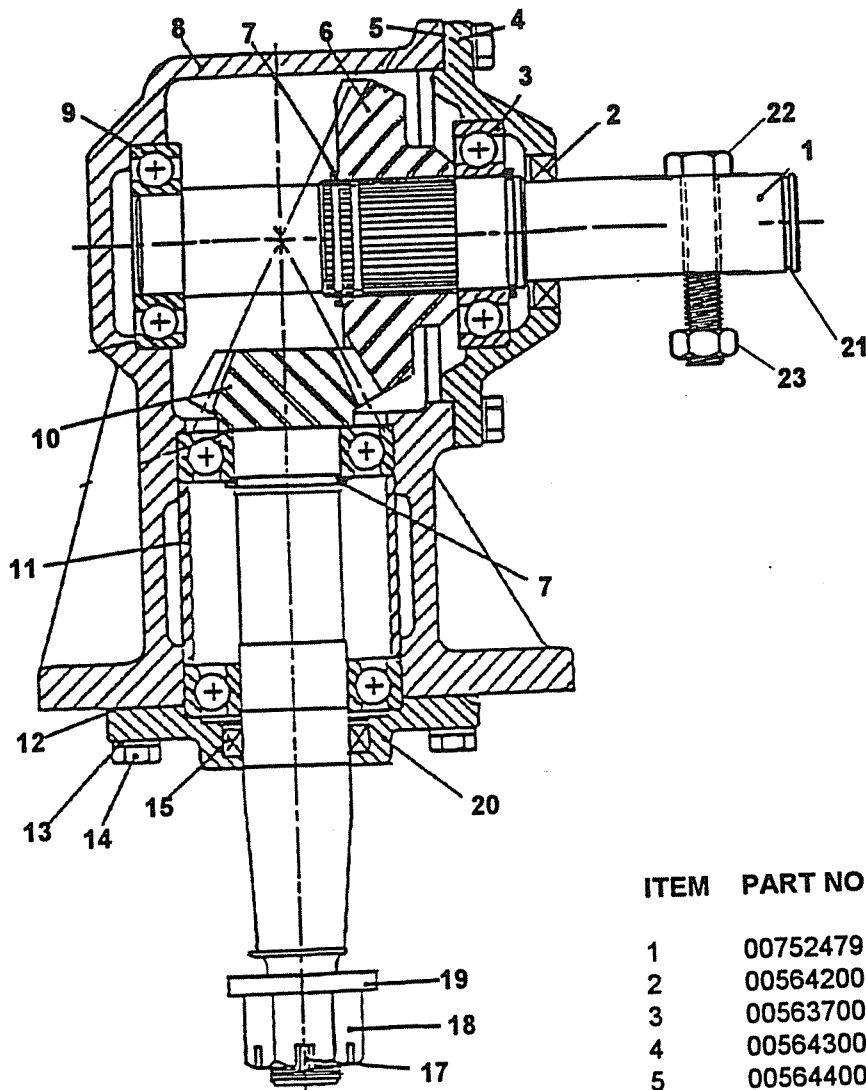


REF	PART NO.	DESCRIPTION	QTY
	<b>76.243.02</b>	<b>RS 12 SLASHER (From Serial No. 1722M-01)</b>	
01	00766590R	DISHPAN	1
02	1046008	BLADE ANTICLOCKWISE	2
03	00761402	BOLT	2
04	15B1400	WASHER	2
05	0141008	NUT 7/8" UNF AERO STANDARD	2
10	45610.04	GUARD FRONT	1
11	45610.01	GUARD REAR CNTR	1
12	45610.02	GUARD REAR RH	1
13	45610.03	GUARD REAR LH	1
15	00759161A	PTO SHAFT	1
20	00758654	BREATHER GEARBOX 1/2" BSP	1
*20	00761655	GEARBOX INC SLOTTED NUT	1
20	7192	CIRCLIP	1
*21	45641.01	GUARD	1
*22	00762985A	BOTTOM BRACKET	1
23	45641.02	BRACKET GUARD	1
26	41748.01	DECAL RS-12	2
27	41346.01	STRAP - TRANSPORT	1
28	41.145.02	DECAL - BOMFORD 40MM	2
29	41.145.01	DECAL - BOMFORD 65MM	2
33	00766505	BAR "A" FRAME	2
*34	00757949R	TOP LINK	1
34	00766542	BUSHING "A" FRAME	1
34	37107B12	TOP LINK PIN	1
*35	00773755R	MAINFRAME	1
35	05.227.01	HAMMER DRIVE SCREW NO.6 X 3/8"	2
35	05.774.05	SERIAL No.PLATE BOMFORD TURNER	1
37	00766611	GAUGE WHEEL MOUNT	1
*38	00603500	WRIST PIN	2
38	00.372.01	LINCH PIN	2
38	00012200	LOCKNUT WASHER	2
38	00603600	NUT	2
40	45619.01	BEAM - TAIL WHEEL	1
41	00773565R	FORK - TAIL WHEEL	1
42	0911030300	SPINDLE - TAIL WHEEL FORK	1
*43	00773567	TAILWHEEL & TYRE -	1
43	00013701	BEARING CONE	2
43	00765337	SPACER	1
43	00013600	SEAL	2
45	00774269R	LUG - HITCH	2
*46	00766610	MOUNTING FLAT	1
46	00773564R	BRACE - REAR	2

\*MAIN PART IN GROUP, RELATED PARTS HAVE SAME REFERENCE NUMBER

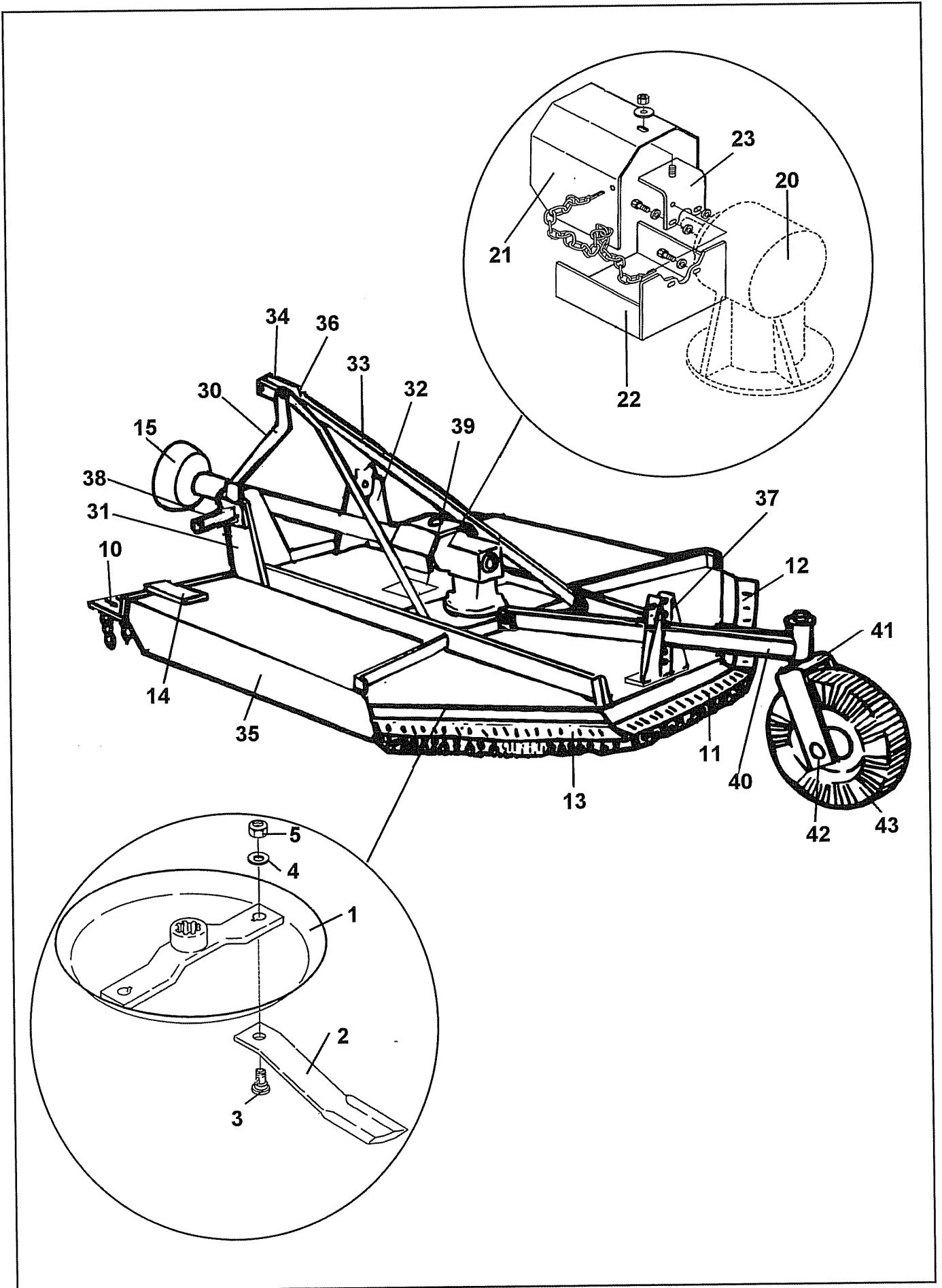


## GEARBOX ASSEMBLY



ITEM	PART NO.	QTY	DESCRIPTION
1	00752479	1	Input Shaft
2	00564200	1	Seal
3	00563700	3	Ball Bearing
4	00564300	1	Input Cap
5	00564400	AR	Gasket
6	00752481	1	Input Gear
7	00564100	3	Retaining Ring
8	00563900	1	Housing
9	00564800	1	Bearing
10	00752480	1	Output Pinion & Shaft
11	00757682	1	Bearing Spacer
12	00760928	AR	Gasket .25
	00760929	AR	Gasket .10
13	02161100	10	Lockwasher
14	00011400	10	Bolt
15	00563500	1	Seal
17	05-03-165	1	Cotter Pin
18	7202	1	Slotted Nut
19	01-00-109	1	Washer
20	00757683	1	Output Cap
21	7192	1	Circlip
22	7A81324	1	Shear Bolt
23	00001800	1	Locknut

**This page is intentionally left blank.**

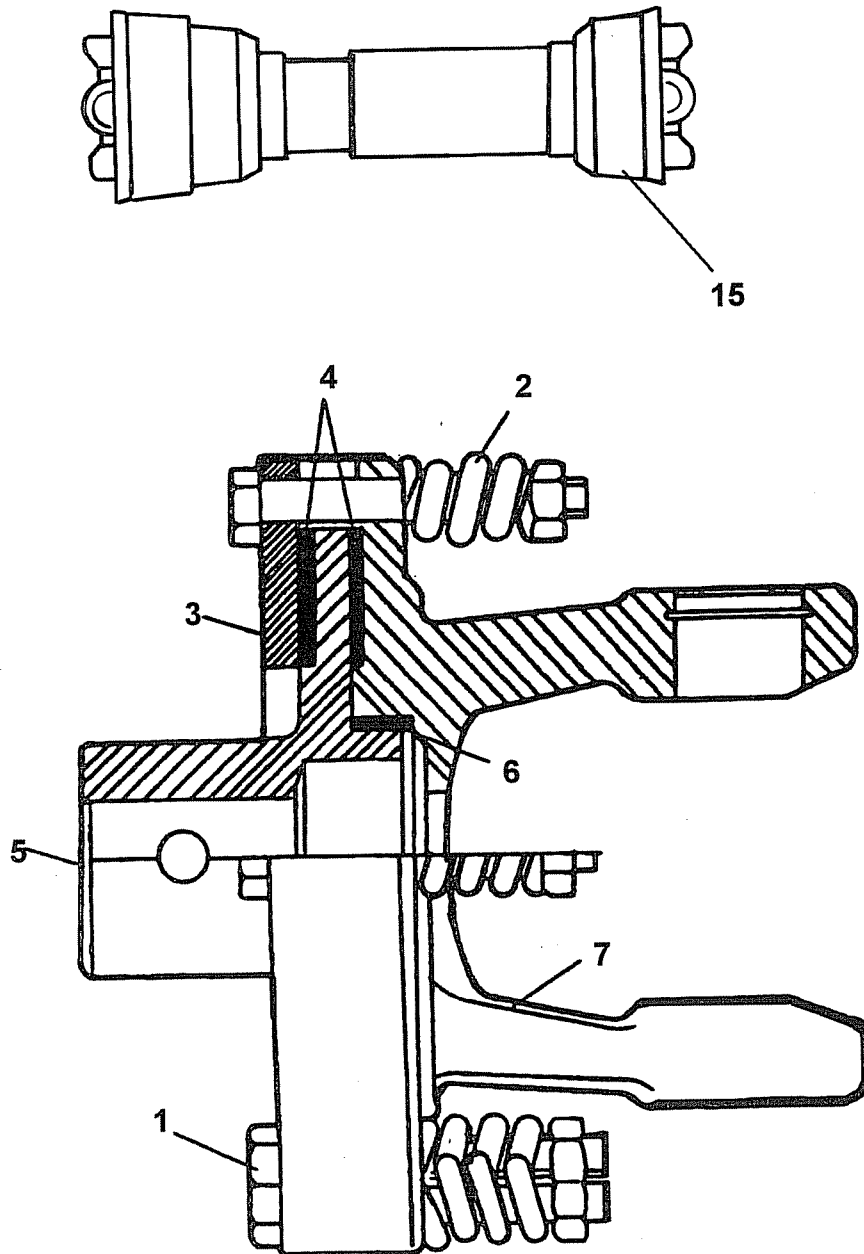


REF	PART NO.	DESCRIPTION	QTY
		<b>76.234.01 RS-15 ROTARY SLASHER 5163</b>	
*01	00766590	BLADE PAN	1
01	05.964.01	SPRING COTTER 3.6MM DIA	1
02	00764665	BLADE SE-5 ANTICLOCKWISE	2
03	00761402	BOLT	2
04	00761535	WASHER	2
05	0141008	NUT 7/8" UNF CLEVELOCK	2
10	00766575	CHAINGUARD FRONT	1
11	00766560	CHAINGUARD REAR CENTRE	1
12	00766564	CHAINGUARD REAR RH	1
13	00766567	CHAINGUARD REAR LH	1
14	00766610	MOUNTING FLAT	1
*15	00759318	PTO SHAFT SE-5	1
15	43204.01	SLIPCLUTCH ASSY RS15/18	0
20	00758654	BREATHER GEARBOX 1/2" BSP	1
*20	0711050100	GEARBOX INC SLOTTED NUT	1
21	00766581	PLATE 2 - 606 X 305	1
22	00766526	PLATE BRKT BOTTOM	1
23	00766559	HOOD BRACKET	1
30	00766505	BAR "A" FRAME	2
*31	00766586	PLATE HITCH EAR LH	1
31	05.264.24	SETSCREW M12 X 35MM PLATED*	4
31	05.264.25	SETSCREW M12 X 40MM PLATED*	2
31	05.281.03	FLAT WASHER 12MM PLATED*	1
31	05.287.03	SELF-LOCKING NUT M12 PLATED*	3
32	00766587	PLATE HITCH EAR RH	1
33	00766506	BAR LIFT STRAP	2
34	00766540	LINK TOP	1
35	00766609	WELDMENT DECK	1
36	00766542	BUSHING "A" FRAME	1
*37	00766611	GAUGE WHEEL MOUNT	1
37	05.281.14	FLAT WASHER 14MM	4
37	05.968.06	S.LOCKING NUT M14 (FINE) PLATE	4
37	9200016	M14 X 1.5 SETSCREW 40 LG	4
*38	00.372.01	LINCH PIN	2
38	00603500	WRIST PIN	2
39	05.264.12	SETSCREW M10 X 25MM PLATED*	2
*39	1028006	PLATE COVER	1
39	1028007	STRIP TAPPED	1
40	00766517	TAILWHEEL BEAM	1
41	00766523	CASTOR FORK	1
42	0891030300	PIN	1
42	5JRC16140	LOCKNUT	1
43	00013600	SEAL	0
*43	00130010	WHEEL TYRE / INNER RACES	1
43	00750621	BEARING ) order	0
43	00013701	BEARING CONE ) both	0
43	00765337	SPACER	2
43	05.953.01	GREASE NIPPLE M6*	1
43	41346.01	STRAP - TRANSPORT	1
43	9213266	M12 X 130MM HEX.HD.BOLT HT	4
45	42255.01	SPACER - FRONT GUARD	2

\*MAIN PART IN GROUP, RELATED PARTS HAVE SAME REFERENCE NUMBER

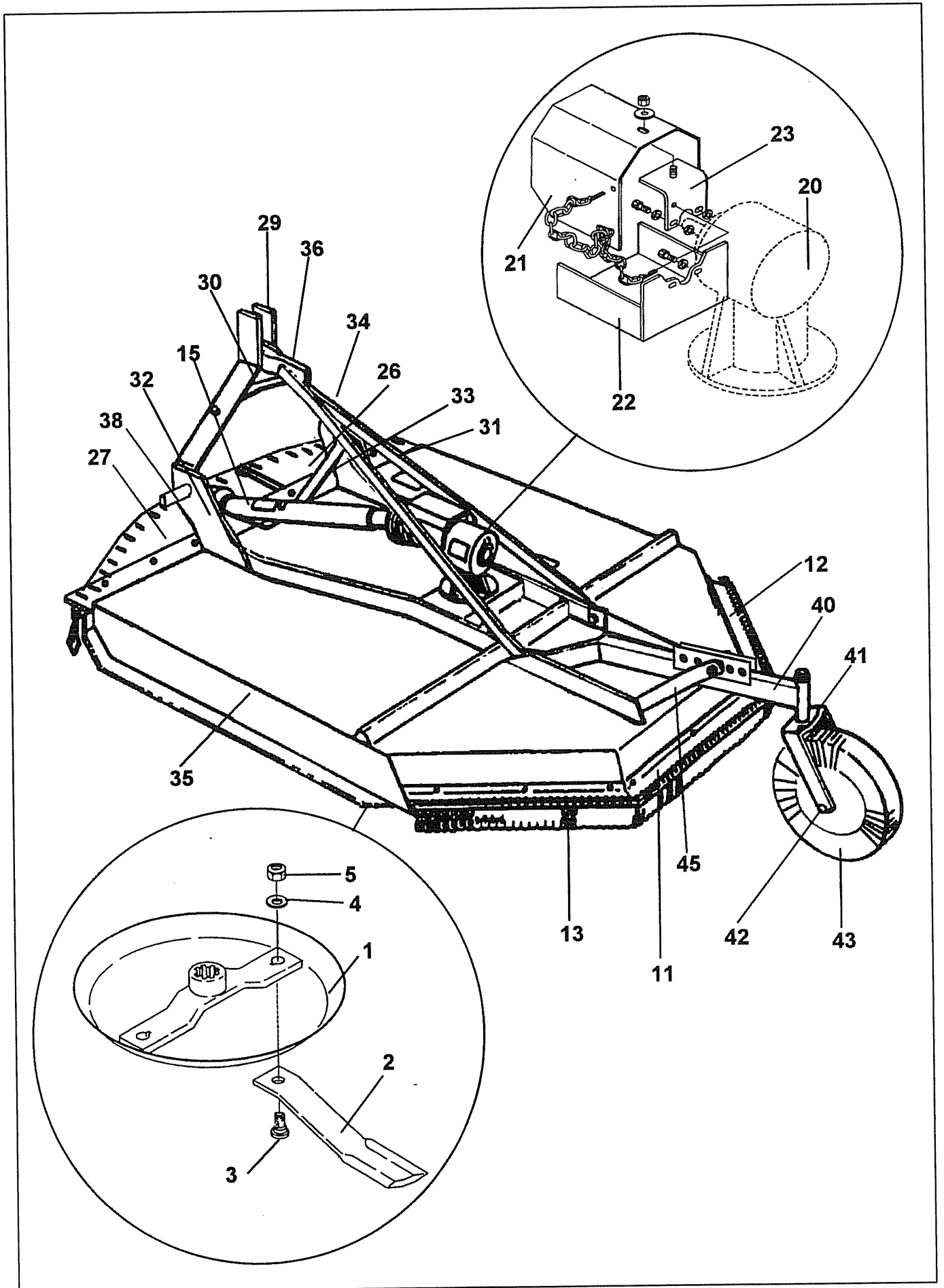
ITEM	PART NO.	QTY.	DESCRIPTION
1	00563900	1	MAIN HOUSING
2	00564300	1	FRONT HOUSING
3	00757683	1	BEARING RETAINER CAP
4	00564700	1	SHAFT, INPUT
5	00564000	1	SHAFT & PINION GEAR
6	00564600	1	INPUT GEAR
7	00564800	1	BALL BEARING
8	00563700	3	BALL BEARING
9	00757682	1	BEARING SPACER
10	00564400	AR	SHIMS
11	00760929	AR	GASKET .25
-	00760928	AR	GASKET .1
12*	7192	1	RETAINING RING
13	02956948	4	LOCKNUT
14	00564100	3	RETAINING RING
15	00563500	1	OIL SEAL
16	00564200	1	OIL SEAL
17	00565000	1	PIPE PLUG
18	00749508	1	PIPE PLUG
19	00011400	6	BOLT
20	02161100	10	LOCKWASHER, EXT. TOOTH
21*	02-12-245	1	BOLT
22	05-03-245	1	COTTER PIN
23	00758671	AR	SHIM - GEAR
24	7202	1	HEX SLOTTED NUT
25*	00001800	1	LOCKNUT
26	6192	1	FLAT WASHER SPECIAL

\* NOT INCLUDED w/GEARBOX ASSEMBLY



ITEM	PART NO.	QTY.	DESCRIPTION
1	-	8	NUT & BOLT
2	-	8	SPRING
3	-	1	OUTER FLANGE
4	00752902	2	FRICTION LINING
5	-	1	BODY
6	-	1	SPACER
7	-	1	YOKE
8	-	1	DIRT SHIELD
15	00759318	1	SHAFT ASSEMBLY

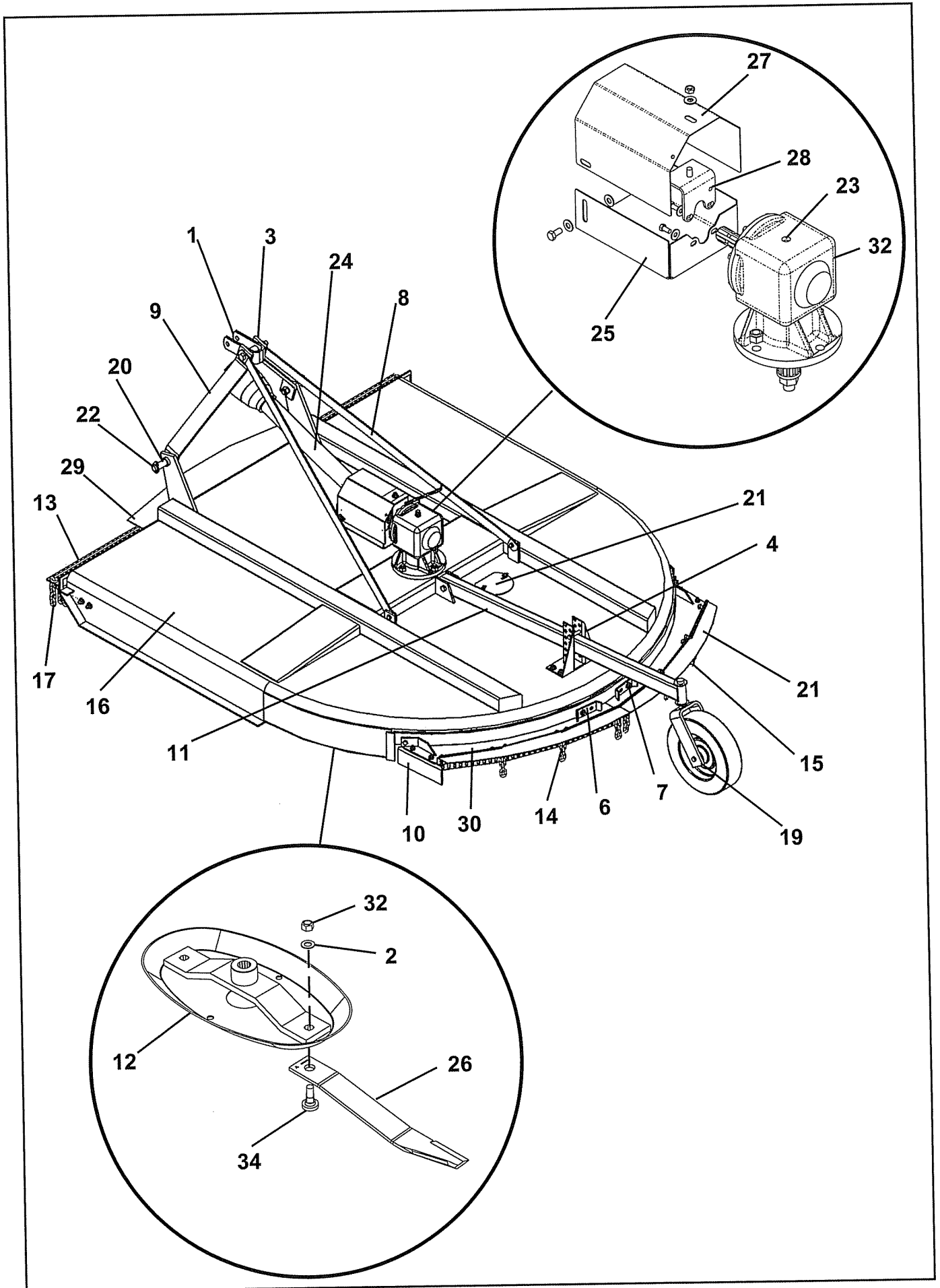
**This page is intentionally left blank.**





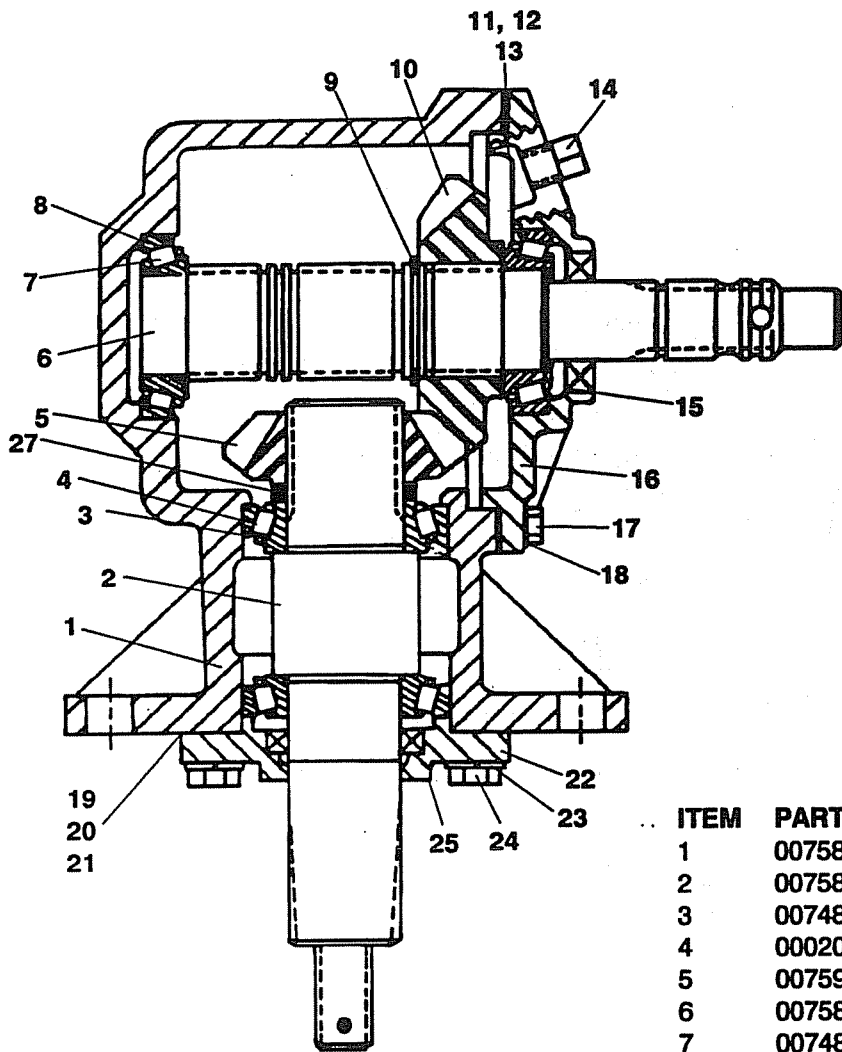
REF	PART NO.	DESCRIPTION	QTY
	<b>76.244.01</b>	<b>RS 21 SLASHER</b>	
01	00766159	DISHPAN W/ASSY	1
02	00764669	BLADE ANTICLOCKWISE	2
03	8251	BOLT	2
04	9216	WASHER	2
05	5JRC16140	LOCKNUT	2
11	7521M	GUARD REAR CNTR SE7 MOD'D	1
12	7528M	GUARD REAR R H SE7 MOD'D	1
13	7529M	GUARD REAR L H SE7 MOD'D	1
15	00761329	PTO SHAFT SE-7	1
20	00758654	BREATHER GEARBOX 1/2" BSP	1
*20	741031	GEARBOX SE-7	1
21	00764254	SHIELD PLATE	1
22	00762985	BOTTOM BRACKET	1
23	7540	BRACKET HOOD	1
26	00763040	GUARD FRONT R H SE7 MOD'D	1
27	00763041	GUARD FRONT L H SE7 MOD'D	1
29	8105	FRONT HITCH RH	1
30	8121	FRONT HITCH LH	1
31	8660	HITCH EAR RH	1
32	8661	HITCH EAR LH	1
33	8103	HITCH BRACE	2
34	7518	REAR BRACE	2
*35	00766158	MAINSHIELD W/ASSY	1
35	05.227.01	HAMMER DRIVE SCREW NO.6 X 3/8"	2
35	05.774.05	SERIAL No.PLATE BOMFORD TURNER	1
36	8659	TOP LINK	1
40	1028262	BEAM TAIL WHEEL	1
41	00762747	WHEEL MOUNT	1
42	0891030300	SPINDLE	1
43	0891030200	WHEEL	1
45	8665	ADJUSTING FLAT	2

\*MAIN PART IN GROUP, RELATED PARTS HAVE SAME REFERENCE NUMBER

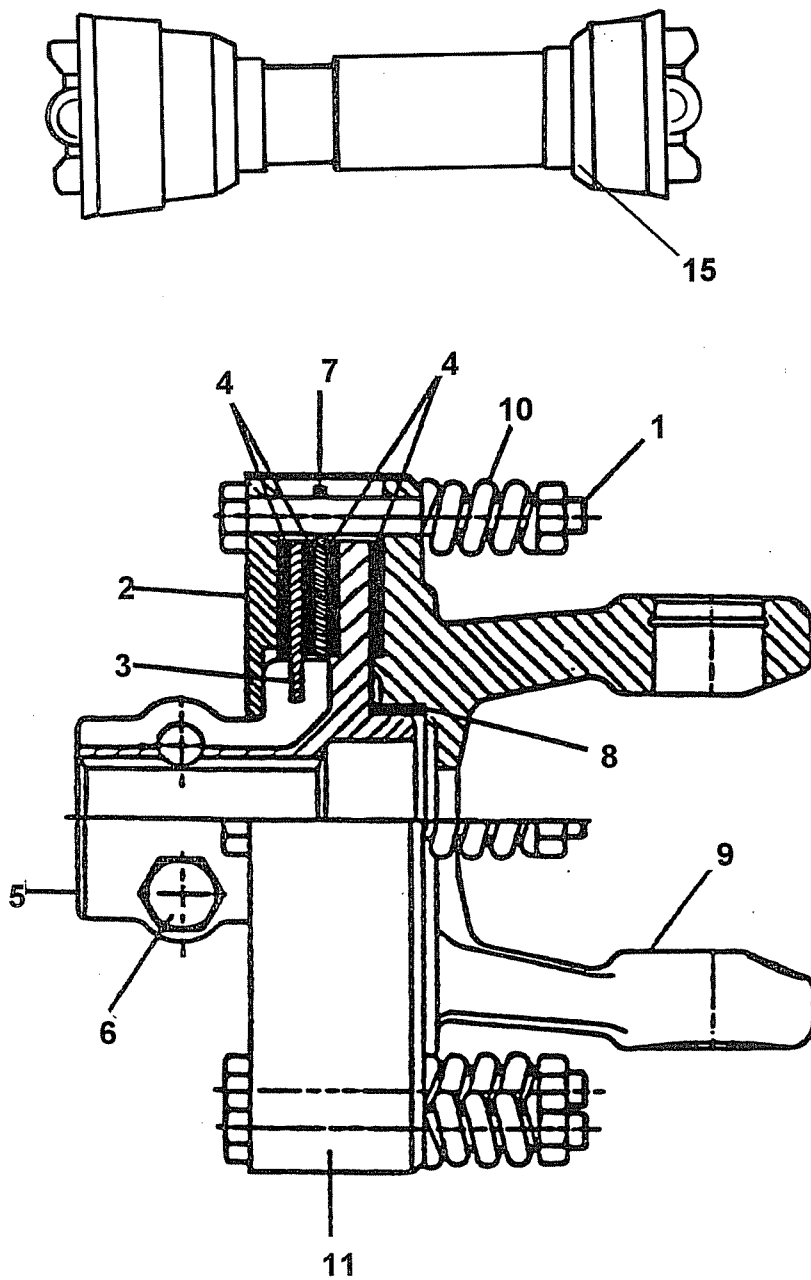


REF	PART NO.	DESCRIPTION	QTY
<b>76.397.68</b>		<b>RS21 ROUND DECK ROTARY SLASHER</b>	
01	00757949	BAR TOP LINK	1
02	00758579	WASHER	2
03	00766542	BUSHING "A" FRAME	1
04	00766611	GAUGE WHEEL MOUNT	1
06	00773997	REAR CHAIN GUARD MOUNT PLATE	1
07	00773998	REAR CHAIN GUARD MOUNT PLATE	1
08	00776050	BAR LIFT STRAP	2
09	00776052	BAR A FRAME	2
10	00776055	CHAIN GUARD PLATE REAR	2
11	00776059	TAILWHEEL BEAM	1
12	00776060	BLADE PAN	1
13	00776065	CHAIN GUARD ASS'Y	2
14	00776066	CHAIN GUARD LH	1
15	00776067	CHAIN GUARD RH	1
16	00776070	DECK	1
17	00776078	CHAIN GUARD FRONT HALF	2
19	00776210	CASTER FORK & WHEEL	1
20	441027	PIN CAT II	2
21	5710121	COVER PLATE	1
22	00.372.01	LINCH PIN	2
23	00758654	BREATHER GEARBOX 1/2" BSP	1
24	00761329	PTO SHAFT	1
25	00762985A	GUARD	1
26	00764669	BLADE ANTICLOCKWISE	2
27	45641.01	GUARD	1
28	45641.12	BRACKET - PTO GUARD	1
29	45799.01	FRONT GUARD ASS'Y	1
30	45799.31	SKIRT PLATE	1
31	45799.32	SKIRT PLATE	1
32	5JRC16140	LOCKNUT	2
33	741031M	GEARBOX	1
34	8251	SPECIAL BLADE BOLT	

RS 21 GEARBOX ASSEMBLY



ITEM	PART NO.	QTY	DESCRIPTION
1	00758989	1	Housing
2	00758990	1	Output Shaft
3	00748522	2	Bearing Cone
4	00020600	2	Bearing Cup
5	00759055	1	Output Gear - 14 Teeth
6	00758991	1	Input Shaft
7	00748527	2	Bearing Cone
8	00748525	2	Bearing Cup
9	00748526	1	Retaining Ring
10	00759054	1	Input Gear - 17 Teeth
11	7010420	AR	Gasket 0.3
12	7010420	AR	Gasket 0.15
13	7010420	AR	Gasket 0.1
14	00753630	2	Pipe Plug
15	00753644	1	Seal
16	741035	1	Input Cap
17	00753642	8	Capscrew
18	00753633	8	Lockwasher
19	00748520	AR	Gasket 0.3
20	00748520	AR	Gasket 0.15
21	00748520	AR	Gasket 0.1
22	00752155	1	Output Cap
23	00753743	4	Lockwasher
24	00748823	4	Capscrew
25	00753634	1	Seal
26	00753631	1	Pipe Plug (Not Shown)
27	00759053	1	Spacer
			AR - As Required



ITEM	PART NO.	QTY.	DESCRIPTION
1	00754199	8	NUT & BOLT
2	00754203	1	PRESSURE PLATE
3	00754201	1	INNER PLATE
4	00754202	4	CLUTCHLINING
5	00754300	1	CLUTCHBODY
6	00752903	2	BOLT & NUT SET
7	00754314	1	PLATE WITH HOLES
8	00754301	1	SPACER
9	00754302	1	YOKE
10	00754303	8	CLUTCH SPRING
15	00761329	1	SHAFT ASSEMBLY

REF	PART NO.	DESCRIPTION	QTY
	<b>76.235.01</b>	<b>DECALS</b>	
01	09.811.04	DECAL - MAX PTO SPEED 540 ACW	1
02	09.821.01	DECAL - READ INSTRUCTION BOOK	1
03	09.821.10	DECAL - KEEP NUTS TIGHT	1
04	09.821.16	DECAL - KEEP OUT ZONE	1
05	09.821.17	DECAL - UNSUPPORTED MACHINE	1
06	09.821.18	DECAL - THROWN DEBRIS	1
08	09.821.19	DECAL - ROTARY HEAD DANGER	1
09	09.821.20	DECAL - SHAFT ENTANGLEMENT	1
10	00763612	TAG SLIP CLUTCH	1
10	09.821.22	DECAL - UNBLOCK HEAD(ROTARY)	1
11	09.837.02	DECAL - BOMFORD	2
13	05.227.01	HAMMER DRIVE SCREW NO.6 X 3/8"	2
12	09.837.01	DECAL - BOMFORD	2
13	00756004	DECAL - DRIVELINE MISSING	1
13	05.774.06	SERIAL NO.PLATE BOMFORD TURNER	1
14	41748.01	DECAL RS - 12	2
15	41748.02	DECAL RS - 15	2
16	41748.03	DECAL RS - 18	2
17	41748.03	DECAL RS - 21	2