

PM 988

950

1100

1257

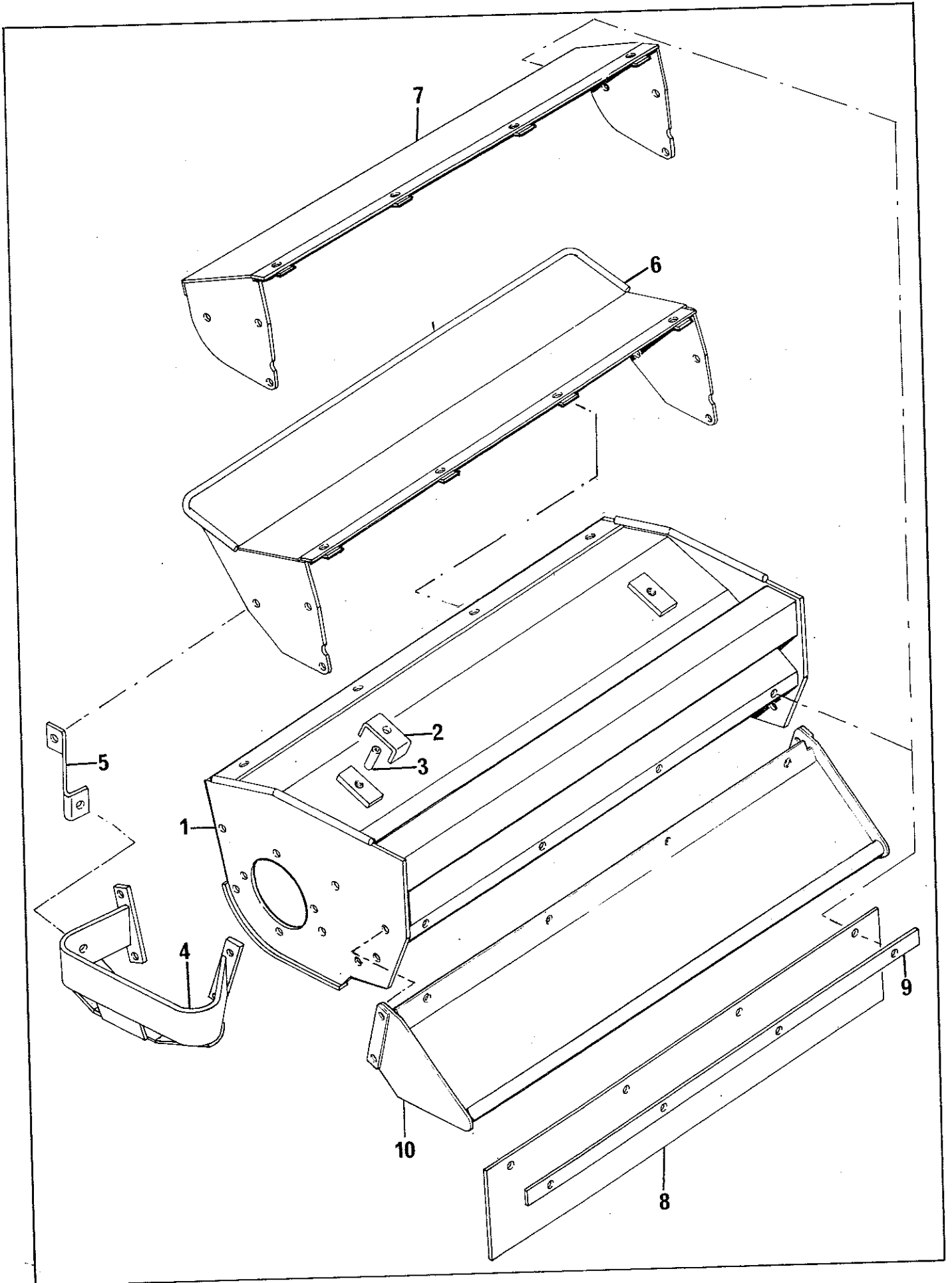
LW FLAIL HEADS

PARTS MANUAL

ISSUE 5

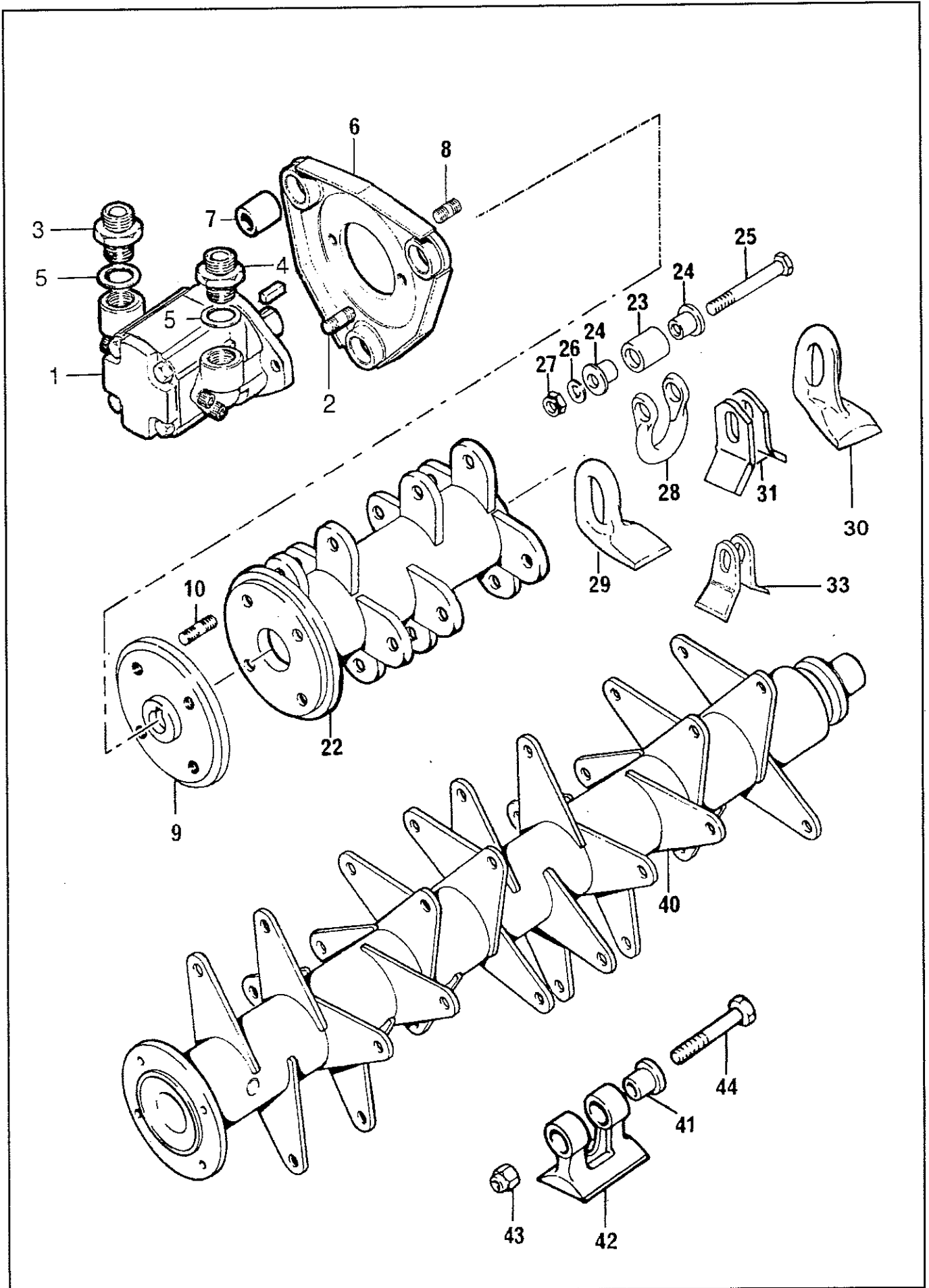
For machines with serial numbers commencing from:

PAGE NO.	DESCRIPTION	SCHEDULE NO.
2-1 TO 2-2	COWL 950	71.557.01
		71.558.01
		71.876.01
3-1 TO 3-2	MOTOR ASSEMBLY ROTOR SHAFTS	71.260.03
		71.568.02
4-1 TO 4-4	BEARING ASSEMBLY ROLLER ASSEMBLY SKID ASSEMBLY	71.567.01
		71.551.02
		71.552.01
5-1 TO 5-2	COWL 1100	71.264.01
		71.265.01
		71.266.01
		71.267.01
6-1 TO 6-2	MOTOR ASSEMBLY ROTOR SHAFT	71.260.03
		71.257.03
		71.258.03
7-1 TO 7-2	BEARING ASSEMBLY ROLLER ASSEMBLY SKID ASSEMBLY	71.259.02
		71.261.02
		71.262.01
8-1 TO 8-2	COWL 1257	72.403.01
		72.404.01
		72.405.01
		72.406.01
		72.407.01
		72.408.01
		72.409.01
9-1 TO 9-2	MOTOR ASSEMBLY ROTOR SHAFT	72.410.01
		72.411.01
		72.412.01
		72.413.01
10-1 TO 10-2	BEARING ASSEMBLY ROLLER ASSEMBLY SKID ASSEMBLY	72.399.01
		72.398.01
		72.400.01
11-1 TO 11-2	DECALS 950, 1100 AND 1257	71.263.02



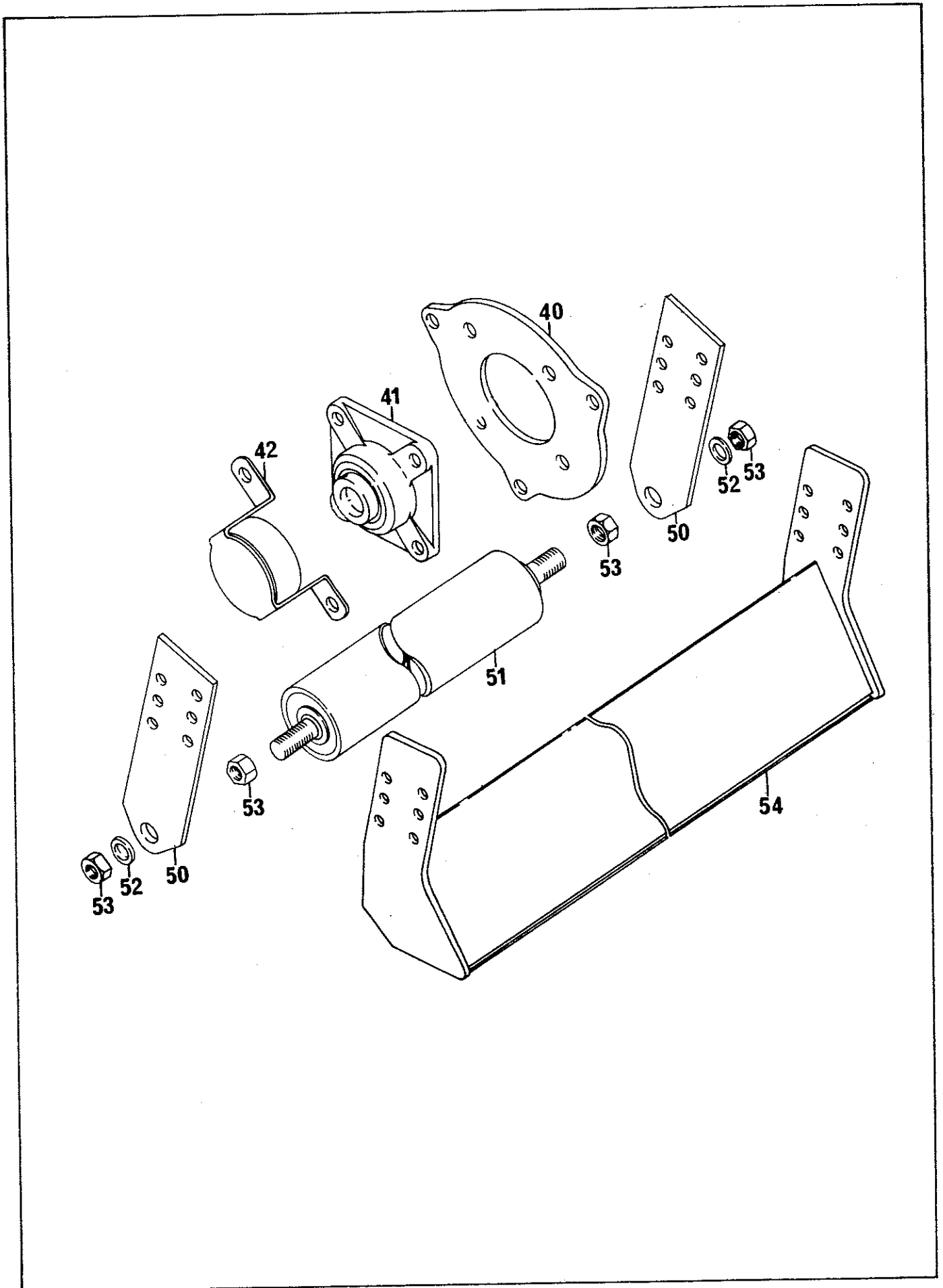
REF	PART NO.	DESCRIPTION	QTY	SERIAL NO. FROM - TO
71.557.01, 71.558.01, 71.876.01		COWL ASSEMBLY		
*01	04.283.01	COWL 950MM	1	
01	05.227.01	HAMMER DRIVE SCREW NO.6 X 3/8"	2	
01	05.774.05	SERIAL No.PLATE BOMFORD TURNER	1	
*02	03.838.01	CLAMP HOSE	1	
02	05.282.03	SPRING WASHER 12MM PLATED	1	
02	05.291.24	BOLT M12 X 45MM PLATED	1	
*03	03.839.01	SPACER 3/4"O/D X 1/2" I/D X 27MM	1	
*04	04.285.02	GUARD-MOTOR	1	
04	05.264.13	SETSCREW M10 X 30MM PLATED	2	
04	05.264.23	SETSCREW M12 X 30MM PLATED	2	
04	05.282.02	SPRING WASHER 10MM PLATED	2	
04	05.282.03	SPRING WASHER 12MM PLATED	2	
04	05.286.02	NUT M10 PLATED	2	
04	05.286.03	NUT M12 PLATED	2	
*05	03.936.02	STAY-MOTOR GUARD	1	
05	05.264.11	SETSCREW M10 X 20MM PLATED	2	
05	05.282.02	SPRING WASHER 10MM PLATED	2	
05	05.286.02	NUT M10 PLATED	2	
*06	03.866.01	GUARD-FRONT	1	
06	05.264.12	SETSCREW M10 X 25MM PLATED	2	
06	05.264.14	SETSCREW M10 X 35MM PLATED	4	
06	05.282.02	SPRING WASHER 10MM PLATED	6	
06	05.286.02	NUT M10 PLATED	6	
*07	04.437.01	GUARD-FRONT HOOD	1	
07	05.264.12	SETSCREW M10 X 25MM PLATED	2	
07	05.264.14	SETSCREW M10 X 35MM PLATED	4	
07	05.282.02	SPRING WASHER 10MM PLATED	6	
07	05.286.02	NUT M10 PLATED	6	
*08	03.830.01	GUARD FLEXIBLE 1016 X 196	1	
*09	03.829.01	BACKING STRIP - GUARD	1	
09	05.264.01	SETSCREW M8 X 20MM PLATED	4	
09	05.282.01	SPRING WASHER 8MM PLATED	4	
09	05.286.01	NUT M8 PLATED	4	
*10	07.478.01	GUARD - REAR	1	
10	05.264.01	SETSCREW M8 X 20MM PLATED	4	
10	05.264.23	SETSCREW M12 X 30MM PLATED	2	
10	05.264.23	SETSCREW M12 X 30MM PLATED	2	
10	05.281.01	FLAT WASHER 8MM PLATED	4	
10	05.281.03	FLAT WASHER 12MM PLATED	2	
10	05.287.01	SELF-LOCKING NUT M8 PLATED	4	
10	05.287.03	SELF-LOCKING NUT M12 PLATED	2	

*MAIN PART IN GROUP, RELATED PARTS HAVE SAME REFERENCE NUMBER.



REF	PART NO	DESCRIPTION	QTY	SERIAL No. FROM - TO
	72.654.01	MOTOR ASSEMBLY		
	04.010.10	MOTOR ASSY KIT	1	
01	02.865.58	SEAL KIT - HAMWORTHY MOTOR	-	CHECK TYPE
01	08.785.02	SEAL KIT - DOWTY MOTOR	-	CHECK TYPE
01	01.071.13	KEY - SEP 1/4" X 1/4" X 1"	-	
*01		MOTOR ASSY	1	
*02	04.282.56	STUD M10 X 37MM	2	
02	05.282.02	SPRING WASHER 10MM PLATED	2	
02	05.286.02	NUT M10 PLATED	2	
*03	05.277.01	ADAPTOR 3/4" BSP X 3/4" BSP	2	
*04	05.290.06	BONDED SEAL 3/4" BSP	2	
*05		PLATE - MOTOR MOUNTING (3 BOLT)	-	
06	02.824.01	WASHER 50 O/D X 13 I/D X 5MM	3	
*06	03.871.01	RUBBER BUSH	3	
06	05.282.03	SPRING WASHER 12MM PLATED	3	
06	05.287.03	SELF-LOCKING NUT M12 PLATED	3	
06	05.291.28	BOLT M12 X 65MM PLATED	3	
07	03.959.02	WASHER 35 O/D X 10.5 I/D X 4MM	1	
*07	03.960.02	STUD 3/8" UNF X 30MM	1	
07	05.295.02	S.LOCKING NUT 3/8" UNF PLATED	1	
*08		DRIVE PLATE - MOTOR	-	
*09	03.917.01	STUD M10 X 36 (FINE)	4	
09	05.282.02	SPRING WASHER 10MM PLATED	4	
09	05.968.02	SELF LOCKING NUT M10 (FINE)	4	
	71.567.02, 71.568.02	ROTOR SHAFTS		
	03.938.01	ROTOR SH. ASSY COMPLETE CLOCKWISE ROTATION VIEWED FROM DRIVE END	1	
	03.938.02	ROTOR SH. ASSY COMPLETE ANTI-CLOCKWISE ROTATION VIEWED FROM DRIVE END	1	
*22		ROTOR SHAFT 950MM	-	
*23	02.807.01	SPACER 1" O/D X 16MM I/D X 27MM	28	
*24	02.801.01	COLLAR 10.5 I/D X 26, 15 O/D X 24	56	
*25	05.775.02	BOLT M10 X 86MM (FINE)	28	
*26	05.282.02	SPRING WASHER 10MM PLATED	28	
*27	05.968.02	SELF-LOCKING NUT M10 (FINE)	28	
*28	05.895.01	SHACKLE - FORGED	28	
*29	02.959.01	FLAIL - FORGED	28	
*30	42750.01	FLAIL - FORGED MP44	-	
*31	02.812.01	FLAIL - FORGED	-	
*32	06.192.02	COLLAR 10.5 I/D X 26, 19 O/D X 21.5	56	
33	41654.01	FLAIL - FLAIRED 51 X 9	28	
	71.875.01	ROTOR SHAFT ASSEMBLY		
	03.938.04	ROTOR SH. ASSY COMPLETE	1	
*40		SHAFT - 950 BUSHMASTER	-	
*41	03.437.01	COLLAR 30 O/D X 45	32	
*42	03.958.01	FLAIL - FORGED	16	
*43	05.295.04	S.LOCKING NUT 1/2" UNF PLATED	16	
*44	05.411.01	BOLT - 1/2" UNF X 4.7/8"	16	

*MAIN PART IN GROUP, RELATED PARTS HAVE SAME REFERENCE NUMBER



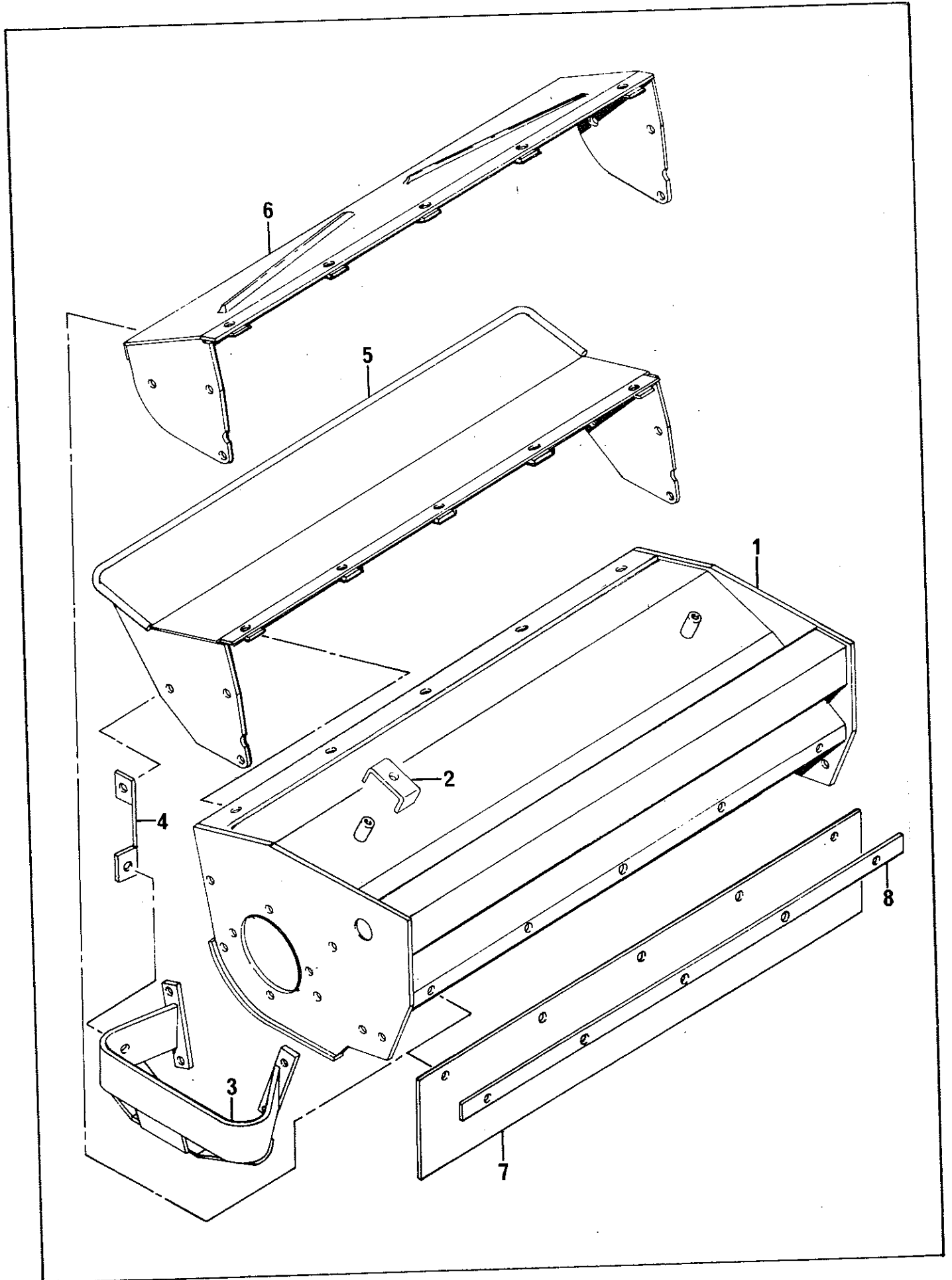
REF	PART NO.	DESCRIPTION	QTY	SERIAL NO. FROM - TO
71.567.01		BEARING ASSEMBLY		
*40	04.290.01	PLATE-BEARING MTG	1	
40	05.264.22	SETSCREW M12 X 25MM PLATED	3	
40	05.282.03	SPRING WASHER 12MM PLATED	3	
40	05.286.03	NUT M12 PLATED	3	
41	02.824.01	WASHER 50 O/DX13 I/DX5MM	1	
*41	03.008.01	BEARING ASSY - FLANGED 40 BORE	1	
41	05.264.24	SETSCREW M12 X 35MM PLATED	3	
41	05.282.03	SPRING WASHER 12MM PLATED	2	
41	05.283.03	SHAKEPROOF WASHER 12MM PLATED	1	
41	05.286.03	NUT M12 PLATED	2	
*42	03.831.01	GUARD-BEARING	1	
42	05.264.25	SETSCREW M12 X 40MM PLATED	2	
42	05.282.03	SPRING WASHER 12MM PLATED	2	
42	05.286.03	NUT M12 PLATED	2	
71.551.02		ROLLER ASSEMBLY		
*50	03.762.02	PLATE-ROLLER MTG.(25DIA SPND)	2	
50	05.264.24	SETSCREW M12 X 35MM PLATED	4	
50	05.282.03	SPRING WASHER 12MM PLATED	4	
50	05.287.03	SELF-LOCKING NUT M12 PLATED	4	
*51	04.456.13	ROLLER ASSY.89 OD X 962	1	
51	04.456.15	ROLLER BEARING KIT J175	-	
51	05.281.16	FLAT WASHER 1" BSF HEAVY PLATE	4	
*52	05.282.06	SPRING WASHER 24MM PLATED	2	
*53	05.286.06	NUT M24 PLATED	4	
71.552.01		SKID ASSEMBLY		
54	05.264.24	SETSCREW M12 X 35MM PLATED	4	
54	05.282.03	SPRING WASHER 12MM PLATED	4	
54	05.286.03	NUT M12 PLATED	4	
*54	06.041.02	SKID - 950MM COWL	1	

From Serial No. 1767GA/96

71.584.03 ROLLER KIT 950

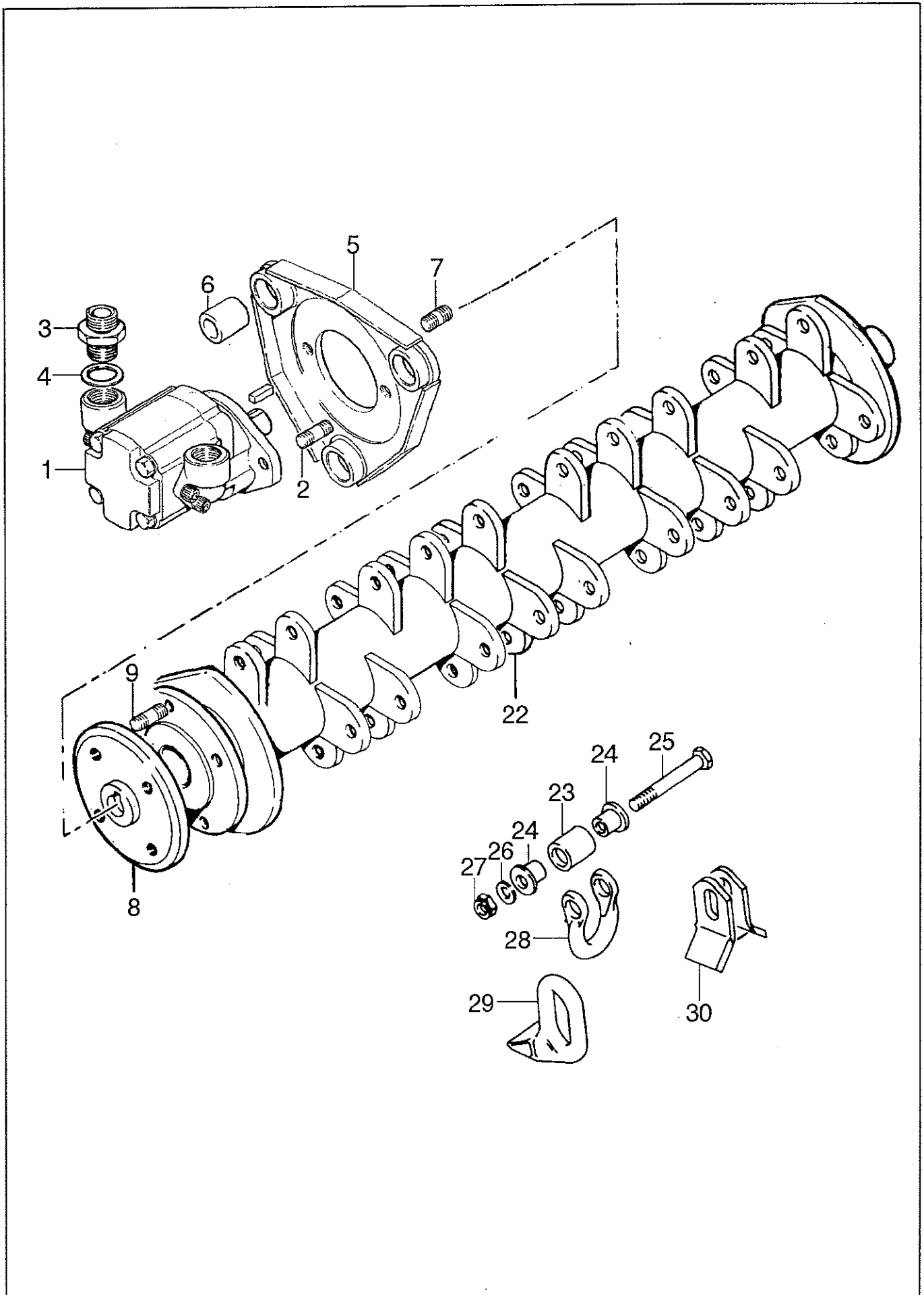
50	03.762.03	PLATE - ROLLER	2	
51	05.281.18	FLAT WASHER 30MM - PLATED	2	
*51	41822.01	ROLLER ASSY 102 DIA X 952	1	
51	41822.31	ROLLER BEARING KIT	-	
52	05.282.12	SPRING WASHER 30MM PLATED	2	
53	05.286.07	NUT M30	4	

*MAIN PART IN GROUP, RELATED PARTS HAVE SAME REFERENCE NUMBER.



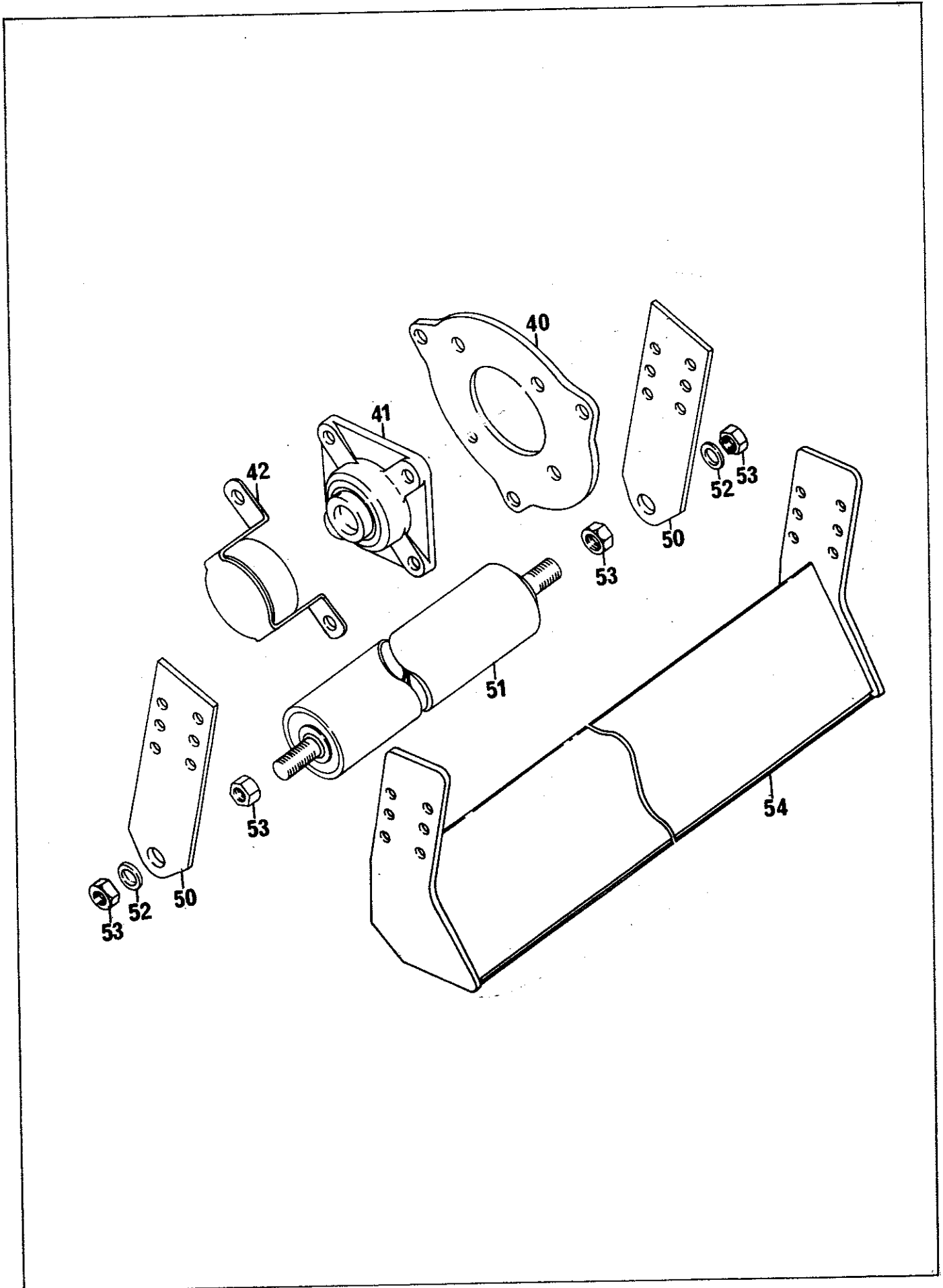
REF	PART NO.	DESCRIPTION	QTY	SERIAL NO. FROM - TO
71.264.01, 71.265.01		GUARDS		
71.266.01, 71.267.01		COWL		
01	05.227.01	HAMMER DRIVE SCREW NO.6 X 3/8"	2	
01	05.774.05	SERIAL NO.PLATE BOMFORD TURNER	1	
*01	06.040.01	COWL - 1100LW	1	
*02	03.838.01	CLAMP HOSE	1	
02	05.264.21	SETSCREW M12 X 20MM PLATED	1	
02	05.282.03	SPRING WASHER 12MM PLATED	1	
03	05.264.13	SETSCREW M10 X 30MM PLATED	2	
03	05.264.22	SETSCREW M12 X 25MM PLATED	2	
03	05.282.02	SPRING WASHER 10MM PLATED	2	
03	05.282.03	SPRING WASHER 12MM PLATED	2	
03	05.286.02	NUT M10 PLATED	2	
03	05.286.03	NUT M12 PLATED	2	
*03	06.044.01	GUARD - MOTOR	1	
04	05.264.11	SETSCREW M10 X 20MM PLATED	2	
04	05.282.02	SPRING WASHER 10MM PLATED	2	
04	05.286.02	NUT M10 PLATED	2	
*04	06.045.01	STAY - MOTOR GUARD	1	
05	05.264.12	SETSCREW M10 X 25MM PLATED	2	
05	05.264.13	SETSCREW M10 X 30MM PLATED	5	
05	05.282.02	SPRING WASHER 10MM PLATED	7	
05	05.286.02	NUT M10 PLATED	7	
*05	06.038.01	GUARD - FRONT	1	
*06	06.051.01	GUARD - FRONT HOOD	1	
06	05.264.12	SETSCREW M10 X 25MM PLATED	7	
06	05.282.02	SPRING WASHER 10MM PLATED	7	
06	05.286.02	NUT M10 PLATED	7	
*07	06.049.01	GUARD FLEXIBLE 1149 X 196	1	
08	05.264.01	SETSCREW M8 X 20MM PLATED	5	
08	05.282.01	SPRING WASHER 8MM PLATED	5	
08	05.286.01	NUT M8 PLATED	5	
*08	06.039.01	BACKING STRIP-REAR GUARD	1	

*MAIN PART IN GROUP, RELATED PARTS HAVE SAME REFERENCE NUMBER.



REF	PART NO.	DESCRIPTION	QTY	SERIAL NO. FROM - TO
72.654.01		MOTOR ASSEMBLY		
	04.010.10	MOTOR ASSY KIT	1	
01	02.865.58	SEAL KIT - HAMWORTHY MOTOR	-	CHECK TYPE
01	08.785.02	SEAL KIT - DOWTY MOTOR	-	CHECK TYPE
01	01.071.13	KEY-SEP 1/4"X1/4"X1"	-	
*01		MOTOR ASSY	1	
*02	04.282.56	STUD M10 X 37MM	2	
02	05.282.02	SPRING WASHER 10MM PLATED	2	
02	05.286.02	NUT M10 PLATED	2	
*03	05.377.01	ADAPTOR 3/4"BSP X 3/4"BSP	2	
*04	05.290.06	BONDED SEAL 3/4"BSP	2	
*05		PLATE-MOTOR MOUNTING (3 BOLT)	-	
06	02.824.01	WASHER 50 O/DX13 I/DX5MM	3	
*06	03.871.01	RUBBER BUSH	3	
06	05.282.03	SPRING WASHER 12MM PLATED	3	
06	05.287.03	SELF-LOCKING NUT M12 PLATED	3	
06	05.291.28	BOLT M12 X 65MM PLATED	3	
07	03.959.02	WASHER 35 O/D X 10.5 I/D X 4MM	1	
*07	03.960.02	STUD 3/8"UNF X 30MM	1	
07	05.295.02	S.LOCKING NUT 3/8"UNF PLATED	1	
*08		DRIVE PLATE - MOTOR	-	
*09	03.917.01	STUD M10 X 36 (FINE)	4	
09	05.282.02	SPRING WASHER 10MM PLATED	4	
09	05.968.02	SELF LOCKING NUT M10 (FINE)	4	
71.257.03, 71.258.03		ROTOR SHAFT ASSEMBLY		
	04.596.04	ROTOR SH.ASY ANTICLOCKWISE ROTATION VIEWED FROM DRIVE END	1	
	04.596.03	ROTOR SH.ASY CLOCKWISE ROTATION VIEWED FROM DRIVE END	1	
*22	06.042.02	ROTOR SHAFT - 1100	1	
*23	02.807.01	SPACER 1"O/D X 16MM I/D X 27MM	32	
*24	02.801.03	COLLAR 10.5 I/D X 30, 15 O/D X 24 I/D	64	
*25	05.775.02	BOLT M10 X 86MM (FINE)	32	
*26	05.282.02	SPRING WASHER 10MM PLATED	32	
*27	05.968.02	SELF LOCKING NUT M10 (FINE)	32	
*28	05.895.01	SHACKLE-FORGED	32	
*29	02.959.01	FLAIL - FORGED	32	
*30	02.812.02	FLAIL - FORMED	64	

MAIN PART IN GROUP, RELATED PARTS HAVE SAME REFERENCE NUMBER



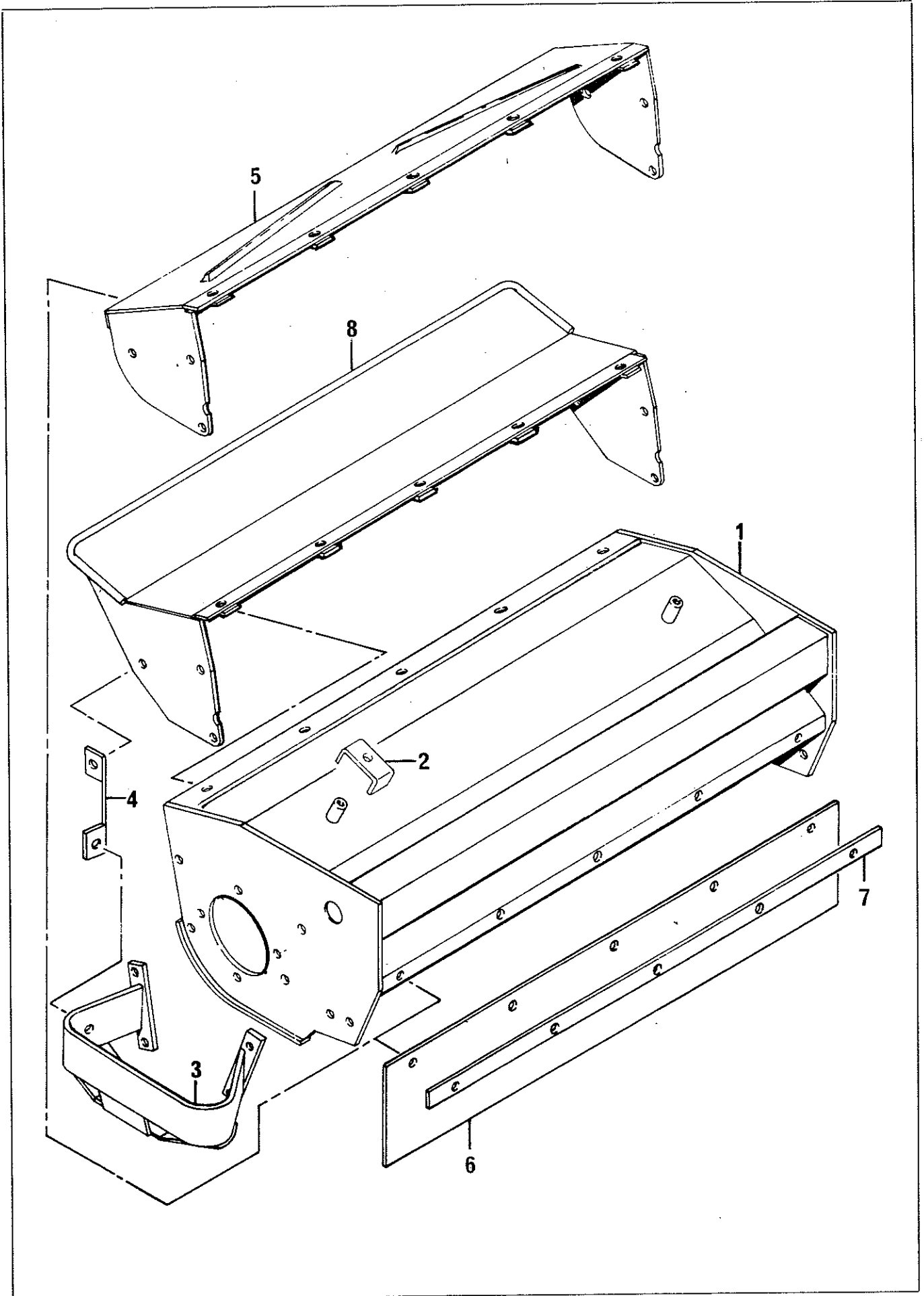
REF	PART NO.	DESCRIPTION	QTY	SERIAL NO. FROM - TO
71.259.02		BEARING ASSEMBLY		
40	05.264.22	SETSCREW M12 X 25MM PLATED	3	
40	05.282.03	SPRING WASHER 12MM PLATED	3	
40	05.286.03	NUT M12 PLATED	3	
*40	06.043.02	PLATE-BEARING	1	
41	02.824.01	WASHER 50 O/D X 13 I/D X 5MM	1	
*41	03.008.01	BEARING ASSY - FLANGED 40 BORE	1	
41	05.264.24	SETSCREW M12 X 35MM PLATED	3	
41	05.282.03	SPRING WASHER 12MM PLATED	2	
41	05.283.03	SHAKEPROOF WASHER 12MM PLATED	1	
41	05.286.03	NUT M12 PLATED	2	
42	05.264.25	SETSCREW M12 X 40MM PLATED	2	
42	05.281.03	FLAT WASHER 12MM PLATED	2	
42	05.282.03	SPRING WASHER 12MM PLATED	2	
42	05.286.03	NUT M12 PLATED	2	
*42	06.037.01	GUARD - BEARING	1	
71.261.02		ROLLER ASSEMBLY		
*50	03.762.02	PLATE-ROLLER MTG. (25DIA SPND)	2	
50	05.264.24	SETSCREW M12 X 35MM PLATED	4	
50	05.282.03	SPRING WASHER 12MM PLATED	4	
50	05.287.03	SELF-LOCKING NUT M12 PLATED	4	
*51	04.456.14	ROLLER ASSY.89 OD X 1095	1	
51	04.456.15	ROLLER BEARING KIT J175		
51	05.281.16	FLAT WASHER 1" BSF HEAVY PLATE	2	
*52	05.282.06	SPRING WASHER 24MM PLATED	2	
*53	05.286.06	NUT M24 PLATED	4	
71.262.01		SKID ASSEMBLY		
54	05.264.24	SETSCREW M12 X 35MM PLATED	4	
54	05.282.03	SPRING WASHER 12MM PLATED	4	
54	05.287.03	SELF-LOCKING NUT M12 PLATED	4	
*54	06.041.01	SKID - 1100LW	1	

From Serial No. 1767GA/96

71.253.03 ROLLER KIT 1100

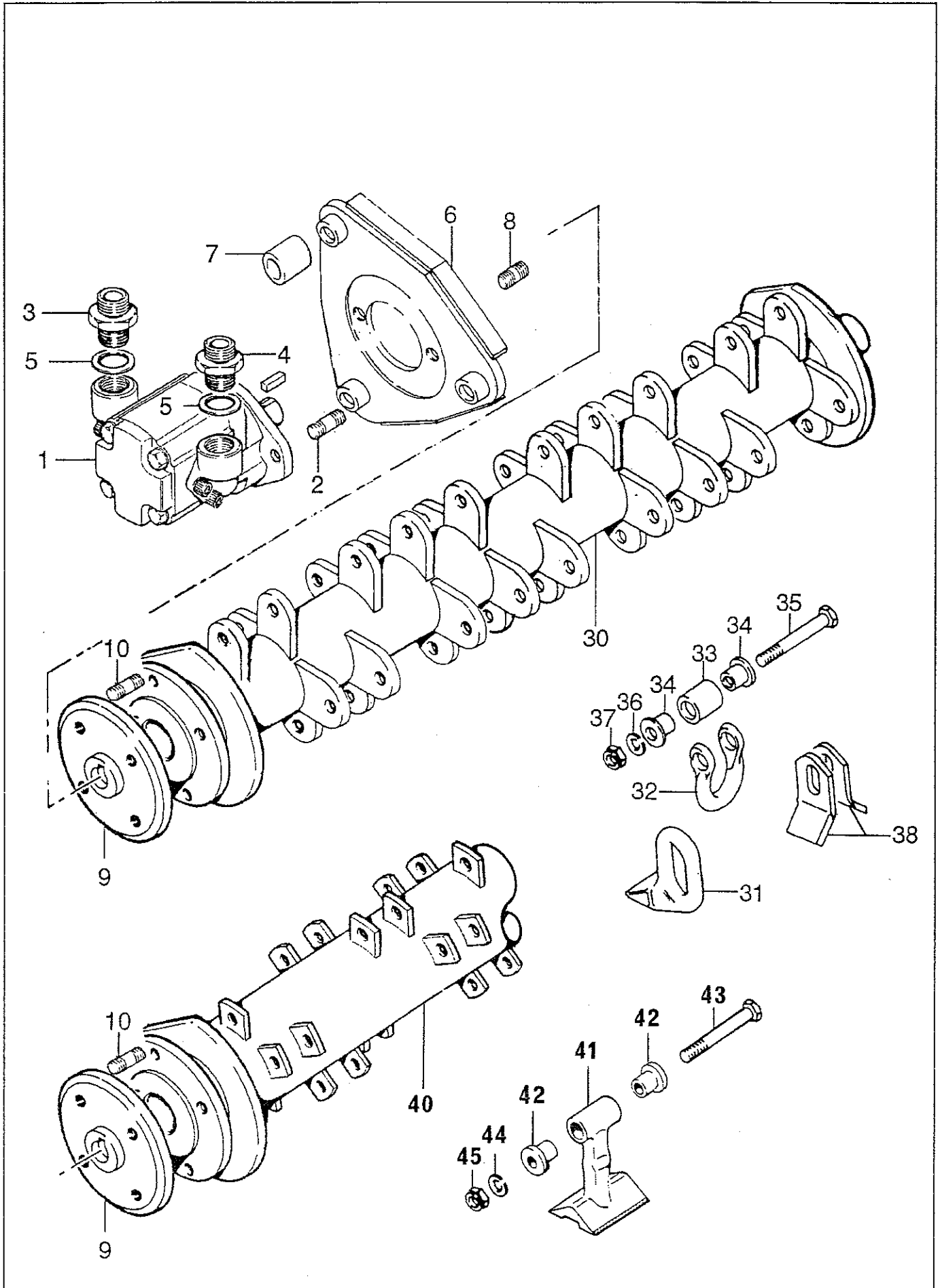
50	03.762.03	PLATE - ROLLER	2
51	05.281.18	FLAT WASHER 30MM - PLATED	2
*51	41822.02	ROLLER ASSY 102 DIA X 1085	1
51	41822.31	ROLLER BEARING KIT	-
52	05.282.12	SPRING WASHER 30MM PLATED	2
53	05.286.07	NUT M30	4

*MAIN PART IN GROUP, RELATED PARTS HAVE SAME REFERENCE NUMBER.



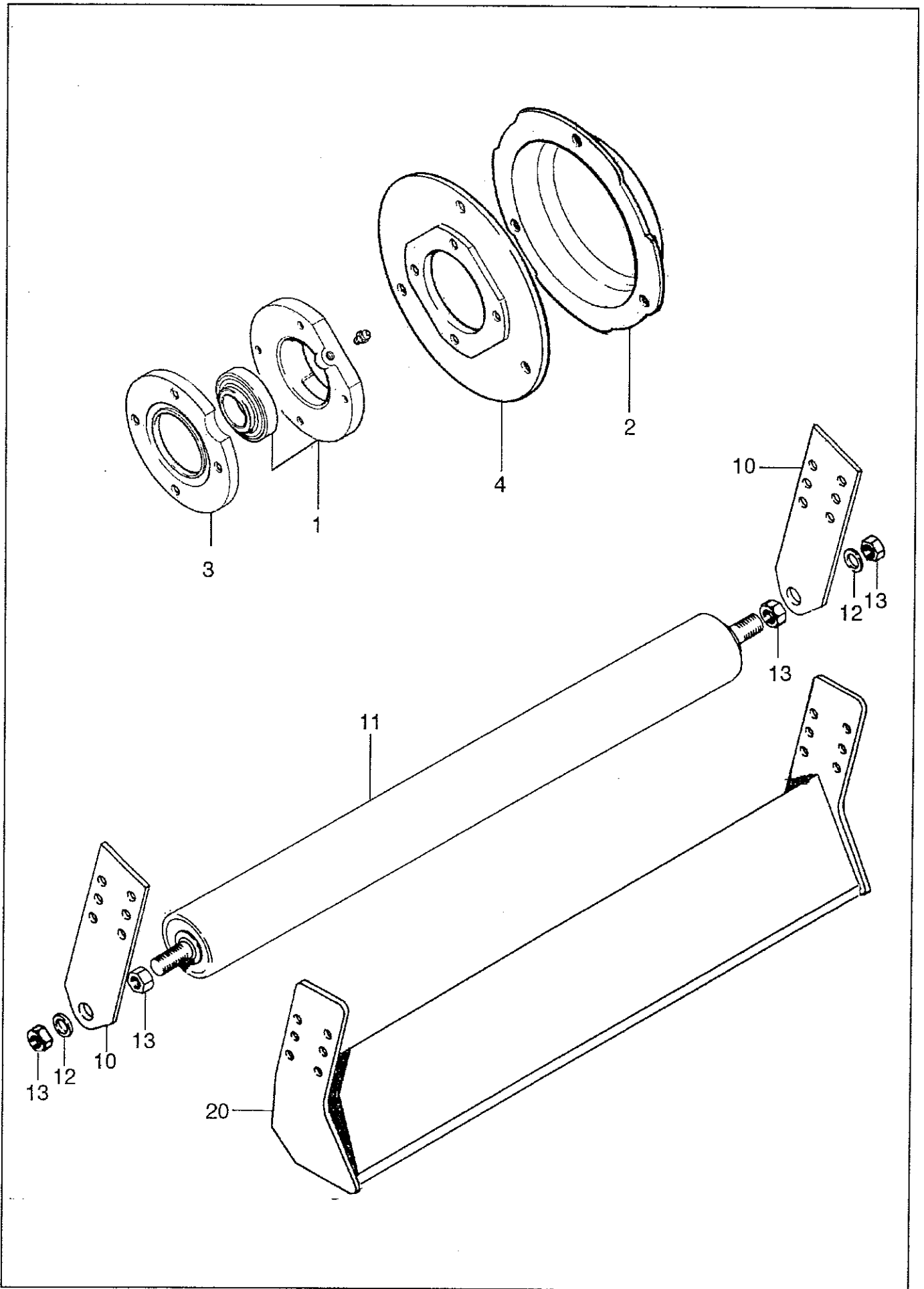
REF	PART NO.	DESCRIPTION	QTY	SERIAL NO. FROM - TO
	72.650.01, 72.651.01 72.652.01, 72.653.01	GUARDS COWL		
01	05.227.01	HAMMER DRIVE SCREW NO.6 X 3/8"	2	
01	05.774.05	SERIAL No.PLATE BOMFORD TURNER	1	
*01	09.489.01	COWL - 1257LW	1	
*02	03.838.01	CLAMP HOSE	1	
02	05.264.21	SETSCREW M12 X 20MM PLATED	1	
02	05.282.03	SPRING WASHER 12MM PLATED	1	
03	05.264.13	SETSCREW M10 X 30MM PLATED	2	
03	05.264.22	SETSCREW M12 X 25MM PLATED	2	
03	05.282.02	SPRING WASHER 10MM PLATED	2	
03	05.282.03	SPRING WASHER 12MM PLATED	2	
03	05.286.02	NUT M10 PLATED	2	
03	05.286.03	NUT M12 PLATED	2	
*03	06.044.01	GUARD - MOTOR	1	
04	05.264.11	SETSCREW M10 X 20MM PLATED	2	
04	05.282.02	SPRING WASHER 10MM PLATED	2	
04	05.286.02	NUT M10 PLATED	2	
*04	06.045.01	STAY - MOTOR GUARD	1	
05	05.264.12	SETSCREW M10 X 25MM PLATED	7	
05	05.282.02	SPRING WASHER 10MM PLATED	7	
05	05.286.02	NUT M10 PLATED	7	
*05	07.818.01	GUARD - FRONT HOOD	1	
*06	07.829.01	GUARD FLEXIBLE 1354 X 196	2	
07	05.264.01	SETSCREW M8 X 20MM PLATED	10	
07	05.282.01	SPRING WASHER 8MM PLATED	10	
07	05.286.01	NUT M8 PLATED	10	
*07	07.830.01	BACKING STRIP	2	
*08	07.819.01	GUARD - FRONT	1	

*MAIN PART IN GROUP, RELATED PARTS HAVE SAME REFERENCE NUMBER



REF	PART NO.	DESCRIPTION	QTY	SERIAL NO. FROM - TO
72.410.01		MOTOR ASSEMBLY		
	04.010.09	MOTOR ASSEMBLY KIT - PROD ASSY	1	
*01		MOTOR ASSY	-	
01	08.785.02	SEAL KIT 08.785 - DOWTY MOTOR	-	
*02	04.282.56	STUD M10 X 37MM	2	
02	05.282.02	SPRING WASHER 10MM PLATED	2	
02	05.286.02	NUT M10 PLATED	2	
*03	05.377.01	ADAPTOR 3/4"BSP X 3/4"BSP	1	
*04	05.373.01	ADAPTOR 3/4"BSP X 1"BSP	1	
*05	05.290.06	BONDED SEAL 3/4"BSP	2	
*06		PLATE - MOTOR MOUNTING	-	
07	02.824.01	WASHER 50 O/DX13 I/D X 5MM	3	
*07	03.871.01	RUBBER BUSH	3	
07	05.282.03	SPRING WASHER 12MM PLATED	3	
07	05.287.03	SELF-LOCKING NUT M12 PLATED	3	
07	05.291.28	BOLT M12 X 65MM PLATED	3	
08	03.959.02	WASHER 35 O/D X 10.5 I/D X 4MM	1	
*08	03.960.02	STUD 3/8"UNF X 30MM	1	
08	05.295.02	S.LOCKING NUT 3/8"UNF PLATED	1	
*09	03.833.01	DRIVE PLATE - MOTOR	-	
*10	03.917.01	STUD M10 X 36 (FINE)	4	
10	05.282.02	SPRING WASHER 10MM PLATED	4	
10	05.968.02	SELF LOCKING NUT M10 (FINE)	4	
72.411.01, 72.412.01 72.413.01		ROTOR SHAFT ASSEMBLY		
	09.134.01	ROTOR SHAFT ASSY 02.812.01 FLAIL	1	
	09.134.02	ROTOR SH. ASSY ANTICLOCKWISE ROTATION VIEWED FROM DRIVE END 02.959.01 FLAIL	1	
	09.134.03	ROTOR SH. ASSY CLOCKWISE ROTATION VIEWED FROM DRIVE END 02.959.01 FLAIL	1	
*30	09.131.01	SHAFT TUBULAR 1250LW	1	
*31	02.959.01	FLAIL-FORGED	36	
*32	05.895.01	SHACKLE-FORGED	36	
*33	02.807.01	SPACER 1"O/D X 16MM I/D X 27MM	36	
*34	02.801.01	COLLAR 10.5 I/D X 26; 15 O/D X 24	72	
*35	05.775.02	BOLT M10 X 86MM (FINE)	36	
*36	05.282.02	SPRING WASHER 10MM PLATED	36	
*37	05.968.02	SELF LOCKING NUT M10 (FINE)	36	
*38	02.812.01	FLAIL-FORMED 40 X 6	72	
09.913.01	ROTOR SHAFT ASSEMBLY		ENSEMBLE ROTOR	
*40	SHAFT-TUBULAR 1250LW	ARBRE-TUBULAIRE 1250LW	1	
*41	09.905.01	FLAIL	FLEAU	24
*42	09.894.01	COLLAR	DEMI-BAGUE	48
*43	05.775.10	BOLT	BOULON	24
*44	05.282.08	SPRING WASHER	RONDELLE RESSOR	24
*45	05.968.06	S.LOCKING NUT	ECROU FREIN	24

*MAIN PART IN GROUP, RELATED PARTS HAVE SAME REFERENCE NUMBER



REF	PART NO.	DESCRIPTION	QTY	SERIAL NO. FROM - TO
72.649.01		BEARING ASSEMBLY		
01	05.264.26	SETSCREW M12 X 45MM PLATED	4	
01	05.282.03	SPRING WASHER 12MM PLATED	4	
*01	06.221.01	BEARING ASSEMBLY 40 - BORE	1	
02	05.264.23	SETSCREW M12 X 30MM PLATED	3	
02	05.282.03	SPRING WASHER 12MM PLATED	3	
02	05.286.03	NUT M12 PLATED	3	
*02	09.490.01	GUARD - NON DRIVE	1	
03	02.824.01	WASHER 50 O/D X 13 I/D X 5MM	1	
03	05.264.23	SETSCREW M12 X 30MM PLATED	1	
03	05.283.03	SHAKEPROOF WASHER 12MM PLATED	1	
*03	06.219.01	DISC-SHIELD	1	
*04	09.491.01	PLATE - NON DRIVE	1	
72.398.01		ROLLER ASSEMBLY		
*10	03.762.02	PLATE-ROLLER MTG.(25DIA SPND)	2	
10	05.264.24	SETSCREW M12 X 35MM PLATED	4	
10	05.282.03	SPRING WASHER 12MM PLATED	4	
10	05.287.03	SELF-LOCKING NUT M12 PLATED	4	
11	04.456.15	ROLLER BEARING KIT J175		
*11	04.456.25	ROLLER ASSY 89DIA X 1300	1	
11	05.281.16	FLAT WASHER 1" BSF HEAVY PLATE	2	
*12	05.282.06	SPRING WASHER 24MM PLATED	2	
*13	05.286.06	NUT M24 PLATED	2	
72.400.01		SKID ASSEMBLY		
20	05.264.24	SETSCREW M12 X 35MM PLATED	4	
20	05.282.03	SPRING WASHER 12MM PLATED	4	
20	05.287.03	SELF-LOCKING NUT M12 PLATED	4	
*20	06.041.03	SKID - 1257LW COWL	1	

From Serial No. 1767GA/96

72.401.02 ROLLER KIT 1250

10	03.762.03	PLATE - ROLLER		2
11	05.281.18	FLAT WASHER 30MM - PLATED		2
*11	41822.03	ROLLER ASSY 102 DIA X 1290		1
11	41822.31	ROLLER BEARING KIT		-
12	05.282.12	SPRING WASHER 30MM PLATED		2
13	05.286.07	NUT M30		4

*MAIN PART IN GROUP, RELATED PARTS HAVE SAME REFERENCE NUMBER

REF	PART NO.	DESCRIPTION	QTY	SERIAL NO. FROM - TO
71.263.02		DECALS		
*01	06.958.02	DECAL - BOMFORD	1	
*02	02.949.01	DECAL-LIFTING SYMBOL	2	
*03	03.785.01	DECAL-GREASE	1	
*04	06.007.01	DECAL-WEIGHT 250KG	1	
*05	06.641.01	DECAL-GUARDING INSTRUCTIONS	1	

*MAIN PART IN GROUP, RELATED PARTS HAVE SAME REFERENCE NUMBER.