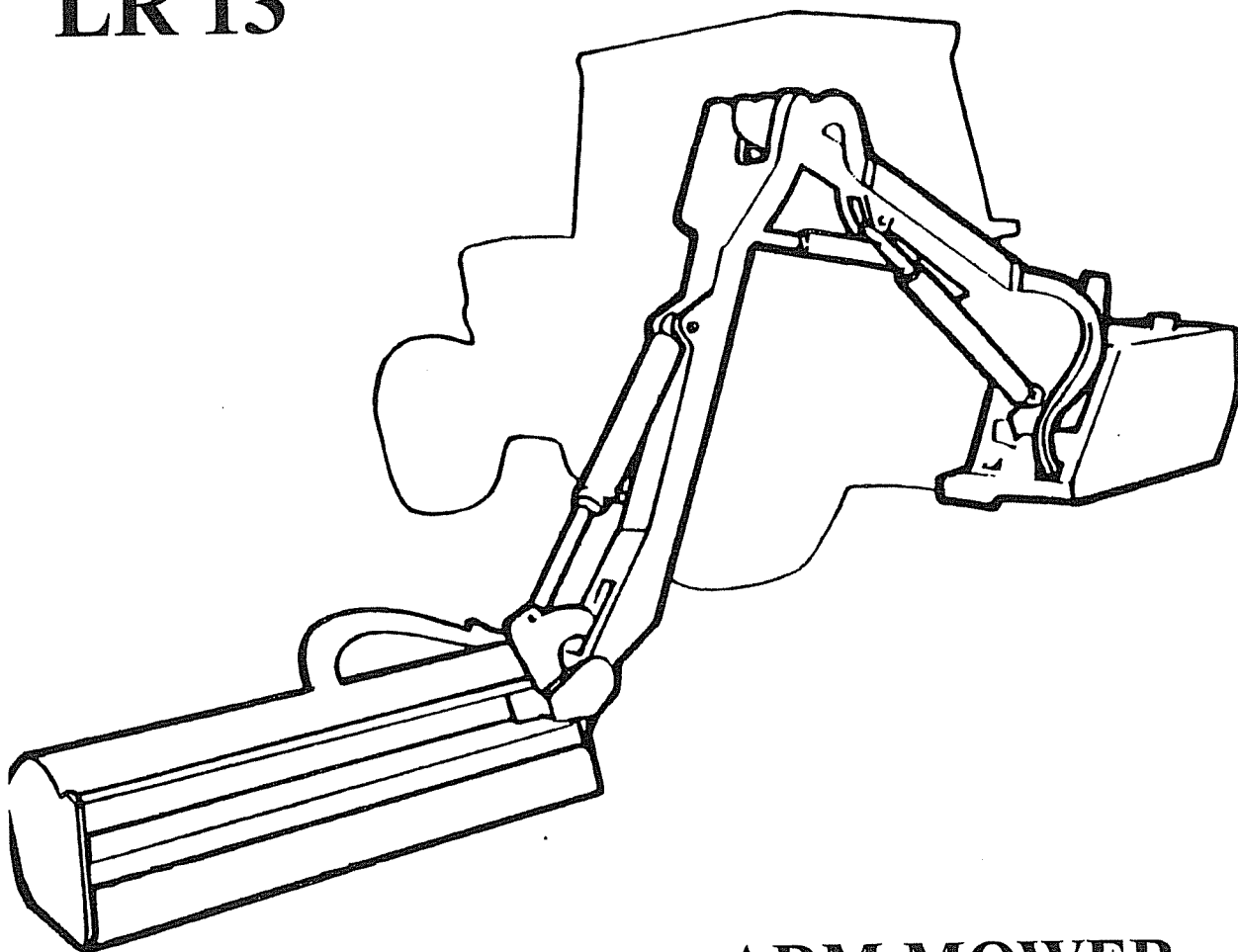


ISSUE 1

PUBLICATION NO.1727/960

LR 13



ARM MOWER

PAGE AND ILLUSTRATION NUMBERS SHOWN ARE USED ONLY FOR REFERENCE PURPOSES AND SHOULD NOT BE USED FOR ORDERING SPARE PARTS. PLEASE GIVE FULL PART NUMBER AND DESCRIPTION WHEN ORDERING SPARE PARTS.

For Machines with Serial Numbers commencing from: **1443G/96**

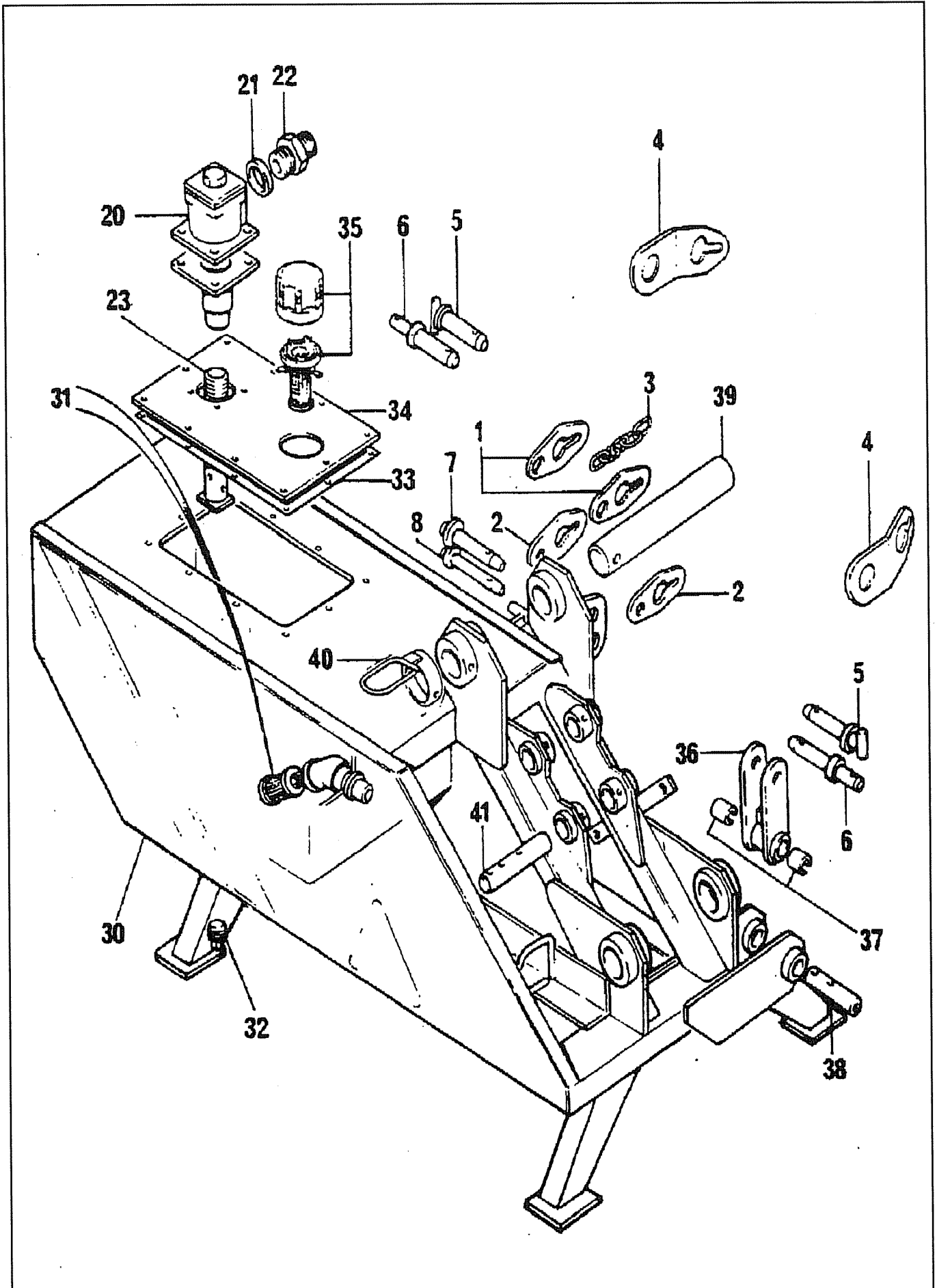
PAGE NO.	DESCRIPTION
2 - 1 TO 2 - 3	MAINFRAME TRACTOR MOUNTINGS
3 - 1 TO 3 - 4	FIRST ARM SECOND ARM COWL BRACKET
4 - 1 TO 4 - 3	PUMP CIRCUIT <u>TWIN</u> PUMP GEARBOX ASSEMBLY
5 - 1 TO 5 - 3	PUMP CIRCUIT <u>SINGLE</u> PUMP GEARBOX ASSEMBLY
6 - 1 TO 6 - 2	CONTROL VALVE ASSEMBLY
7 - 1 TO 7 - 2	REMOTE CONTROL ASSEMBLY
8 - 1 TO 8 - 2	B397 RAMS/HOSES SINGLE PUMP
9 - 1 TO 9 - 2	B457 RAMS/HOSES TWIN PUMP
10- 1 TO 10- 2	B397 RAMS/HOSES SINGLE PUMP
11- 1 TO 11- 2	B457 RAMS/HOSES SINGLE PUMP
12- 1 TO 12- 2	ACCUMULATOR KIT
13- 1 TO 13- 4	DECALS

IMPORTANT

THIS MACHINE IS FOR VEGETATION CONTROL AND
MUST NOT BE USED FOR ANY OTHER PURPOSE

IT IS POTENTIALLY HAZARDOUS TO FIT OR USE
ANY PARTS OTHER THAN GENUINE BOMFORD TURNER PARTS

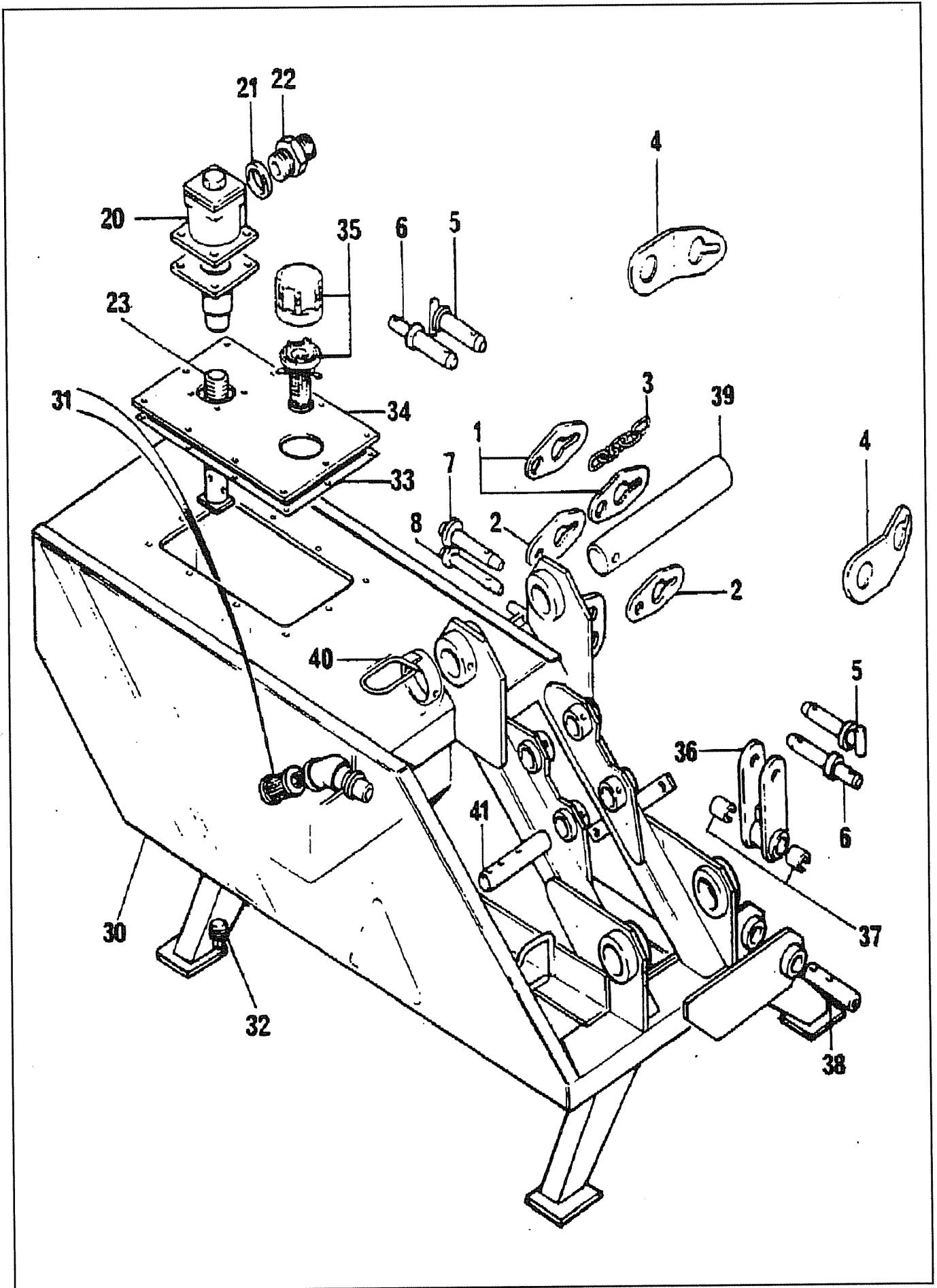
THE COMPANY DISCLAIMS ALL LIABILITY FOR THE
CONSEQUENCES OF SUCH USE, WHICH IN ADDITION
VOIDS THE MACHINE WARRANTY



REF	PART NO.	DESCRIPTION	QTY
74.966.01 FILTER ASSY			
*20	03.824.05	FILTER ASSY(110 LITRE)	1
20	03.824.07	FILTER ELEMENT(110 LITRE)	0
20	05.282.07	SPRING WASHER 6MM PLATED	4
20	05.839.04	SETSCREW M6 X 30MM PLATED	4
21	05.290.07	BONDED SEAL 1"BSP	1
22	08.955.25	ADAPTOR 1"BSP X 1.5/16"-12 JIC	1
23	03.825.01	PIPE - FILTER	1
74.942.01/74.954.01 MAINFRAME RH			
30	02.717.02	PLUG PLASTIC 50MM	4
30	03.231.06	RUBBER MOULDING - 670MM	1
30	05.281.01	FLAT WASHER 8MM PLATED	10
30	05.282.03	SPRING WASHER 12MM PLATED	2
30	05.286.01	NUT M8 PLATED	10
30	05.286.03	NUT M12 PLATED	2
30	05.292.23	BOLT M12 X 100MM PLATED	2
30	05.292.24	BOLT M12 X 110MM PLATED	1
*30	08.625.04	MAINFRAME RH	1
31	05.367.02	FILTER - SUCTION	1
32	05.495.01	PLUG 1/2"BSPT	0
33	08.605.01	GASKET	1
34	09.855.01	PLATE- TANK TOP	1
35	05.953.01	GREASE NIPPLE M6	2
35	06.966.02	FILLER BREATHER CAP & STRAINER	1
36	09.997.01	LINK BREAKOUT	1
37	02.771.06	TENSION BUSH 35 X 30 X 30	2
*38	03.654.47	PIN - DIA 30 X 160	1
38	05.201.07	TENSION PIN 8MM X 45MM PLATED	1
39	03.657.21	PIN 50 DIA X 340	1
40	08.888.01 □	BRACKET - HOSE GUIDE	1
40	08.624.01 ○	BRACKET - HOSE GUIDE	1
41	03.654.44	PIN 30 DIA X 160	1

□ B397
○ B457

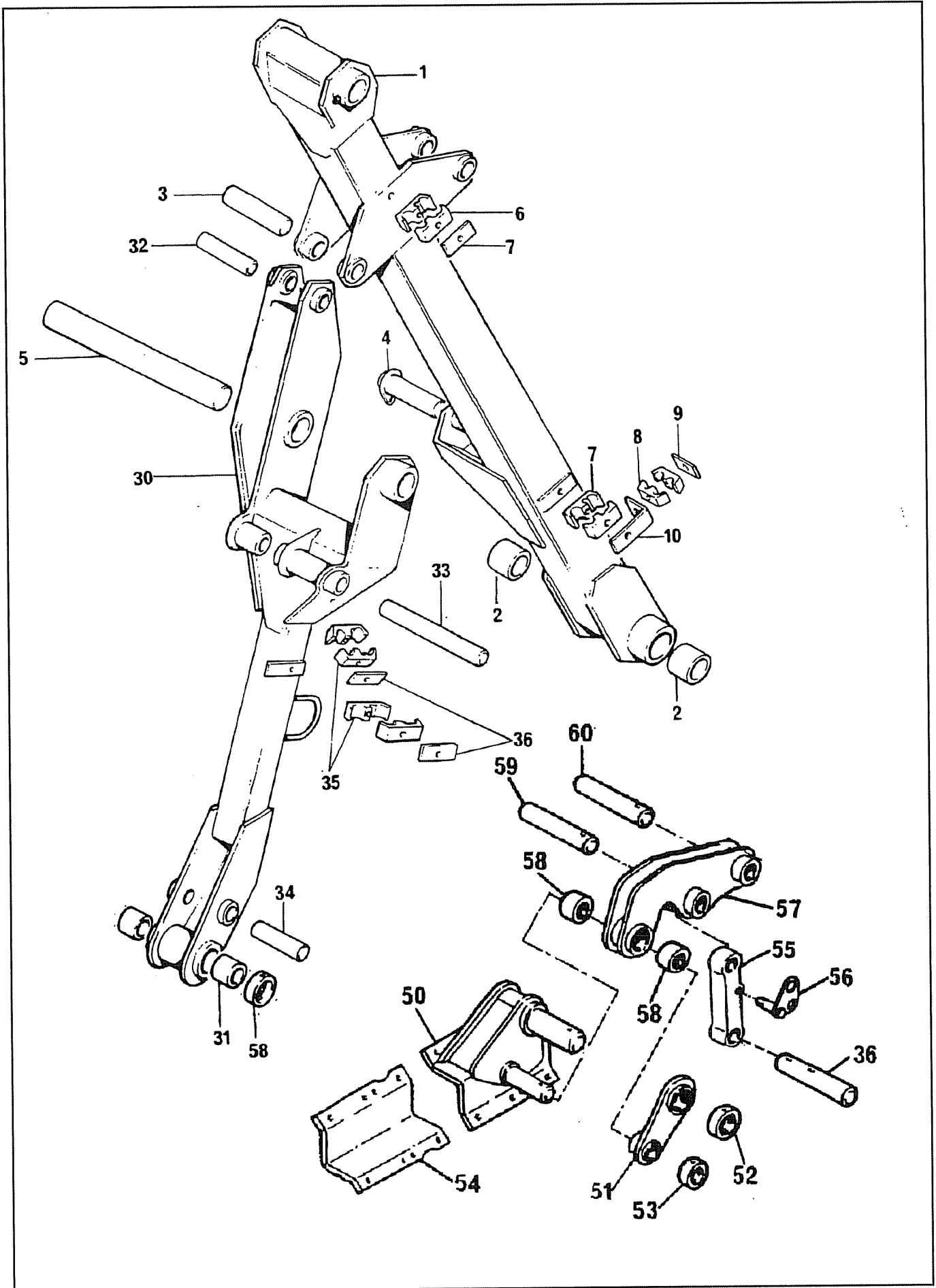
*MAIN PART IN GROUP, RELATED PARTS HAVE SAME REFERENCE NUMBER



REF	PART NO.	DESCRIPTION	QTY
72.148.01 TRACTOR MOUNTINGS			
01	09.999.01	PLATE STABILIZER CAT 2	2
02	10.100.01	PLATE STABILIZER CAT 1	2
03	10.105.01	CHAIN 8DIA X 1800	1
04	09.998.01	PLATE STABILIZER	2
05	00.372.01	LINCH PIN	2
05	06.318.01	PIN-1.1\8" DIA X 103	2
06	05.159.01	PIN-DUAL CATEGORY	0
07	00.372.01	LINCH PIN	1
*07	03.873.01	PIN 1"DIA X 140MM	1
08	00.372.01	LINCH PIN	1
*08	03.874.01	PIN 3/4"DIA X 140MM	1

*MAIN PART IN GROUP, RELATED PARTS HAVE SAME REFERENCE NUMBER

FIRST ARM, SECOND ARM AND COWL BRACKET

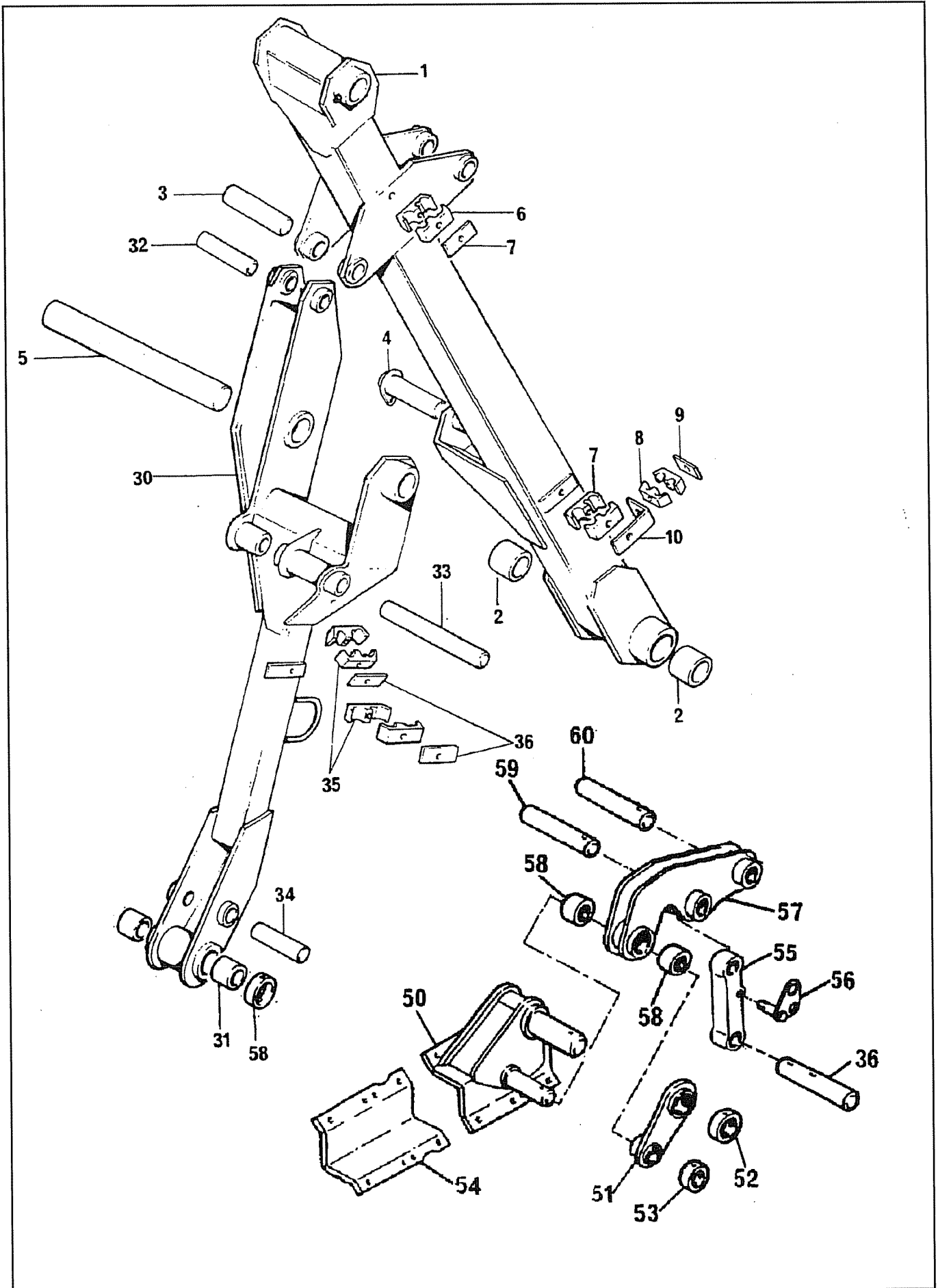


REF	PART NO.	DESCRIPTION	QTY
72.250.02 FIRST ARM RH			
01	03.786.02	INSTRUCTION PLATE-GREASE M10	1
01	05.953.04	GREASE NIPPLE M10 90 DEG	1
*01	#08.889.02	ARM FIRST RH	1
*01	~08.895.02	ARM FIRST	1
02	08.297.01	BUSH - PLASTIC 60 X 50 X 50	2
*03	#03.654.43	PIN 30 DIA X 140	1
*03	~03.654.49	PIN 30 DIA X 198MM	1
03	03.786.01	INSTRUCTION PLATE-GREASE M6	1
03	05.201.07	TENSION PIN 8MM X 45MM PLATED	1
03	05.953.01	GREASE NIPPLE M6	1
*04	03.653.31	PIN 25 DIA X 120	1
04	03.786.01	INSTRUCTION PLATE-GREASE M6	1
04	05.201.07	TENSION PIN 8MM X 45MM PLATED	1
04	05.953.01	GREASE NIPPLE M6	1
05	03.068.01	SPECIAL SETSCREW M12 X 25	2
*05	03.656.39	PIN - 40 DIA X 374	1
05	03.786.01	INSTRUCTION PLATE-GREASE M6	2
05	05.282.02	SPRING WASHER 10MM PLATED	1
05	05.282.03	SPRING WASHER 12MM PLATED	2
05	05.286.02	NUT M10 PLATED	1
05	05.292.11	BOLT M10 X 80MM PLATED	1
05	05.953.01	GREASE NIPPLE M6	2
05	07.942.01	WASHER - M12 SPECIAL	2
06	04.282.30	STUD M8 X 85 PLATED	2
06	05.281.01	FLAT WASHER 8MM PLATED	2
06	05.282.01	SPRING WASHER 8MM PLATED	2
06	05.286.01	NUT M8 PLATED	2
*06	06.430.10	CLAMP HOSE	4
07	06.418.01	CLAMP PLATE 95 X 6	2
08	04.282.32	STUD M8 X 52	1
08	05.281.01	FLAT WASHER 8MM PLATED	1
08	05.282.01	SPRING WASHER 8MM PLATED	1
08	05.286.01	NUT M8 PLATED	1
*08	06.430.02	CLAMP HOSE 14 X 14	2
09	06.418.02	CLAMP PLATE 30 X 6 PLATED	1

- B457 MACHINES

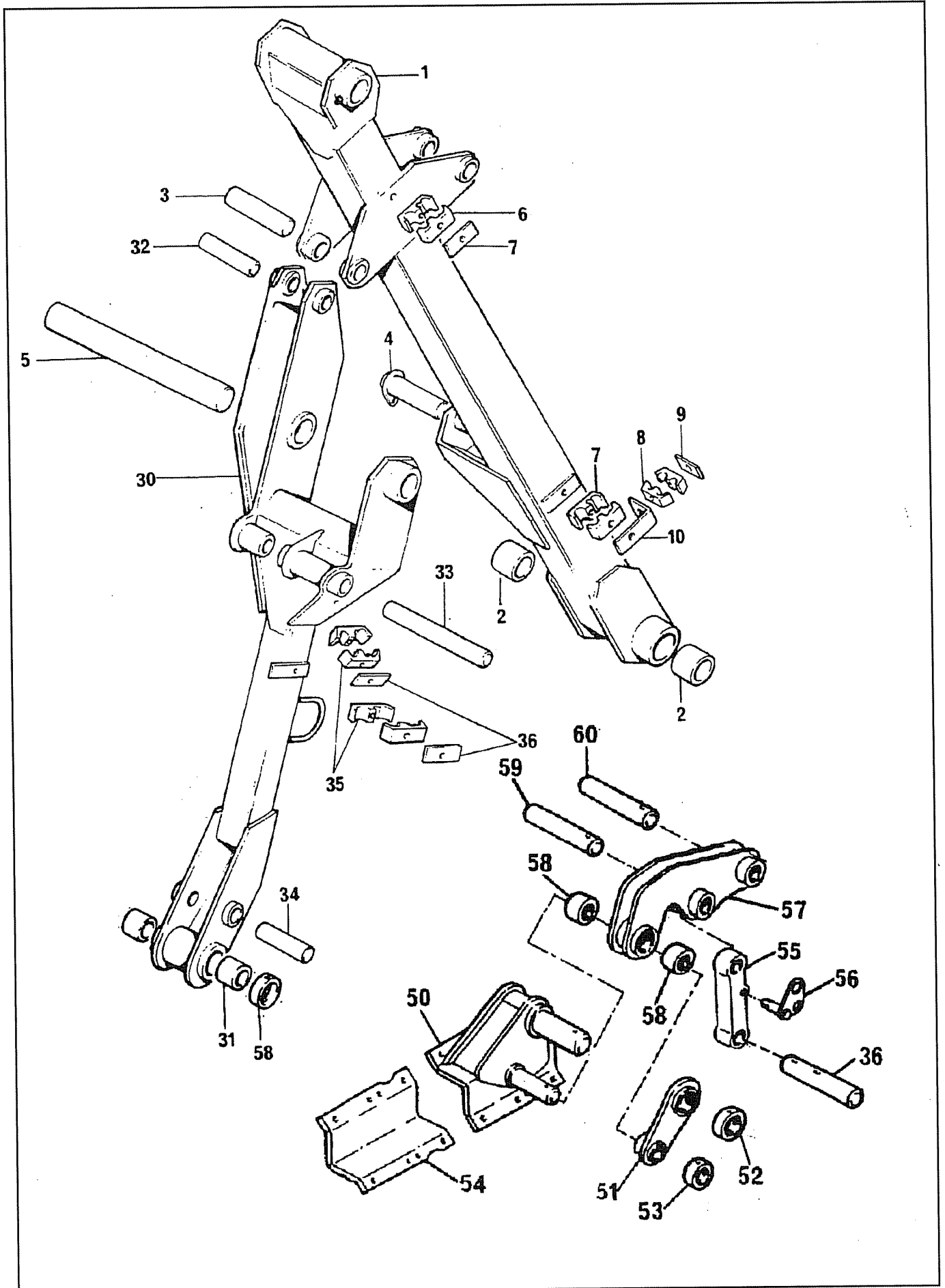
~ - B397 MACHINES

*MAIN PART IN GROUP, RELATED PARTS HAVE SAME REFERENCE NUMBER



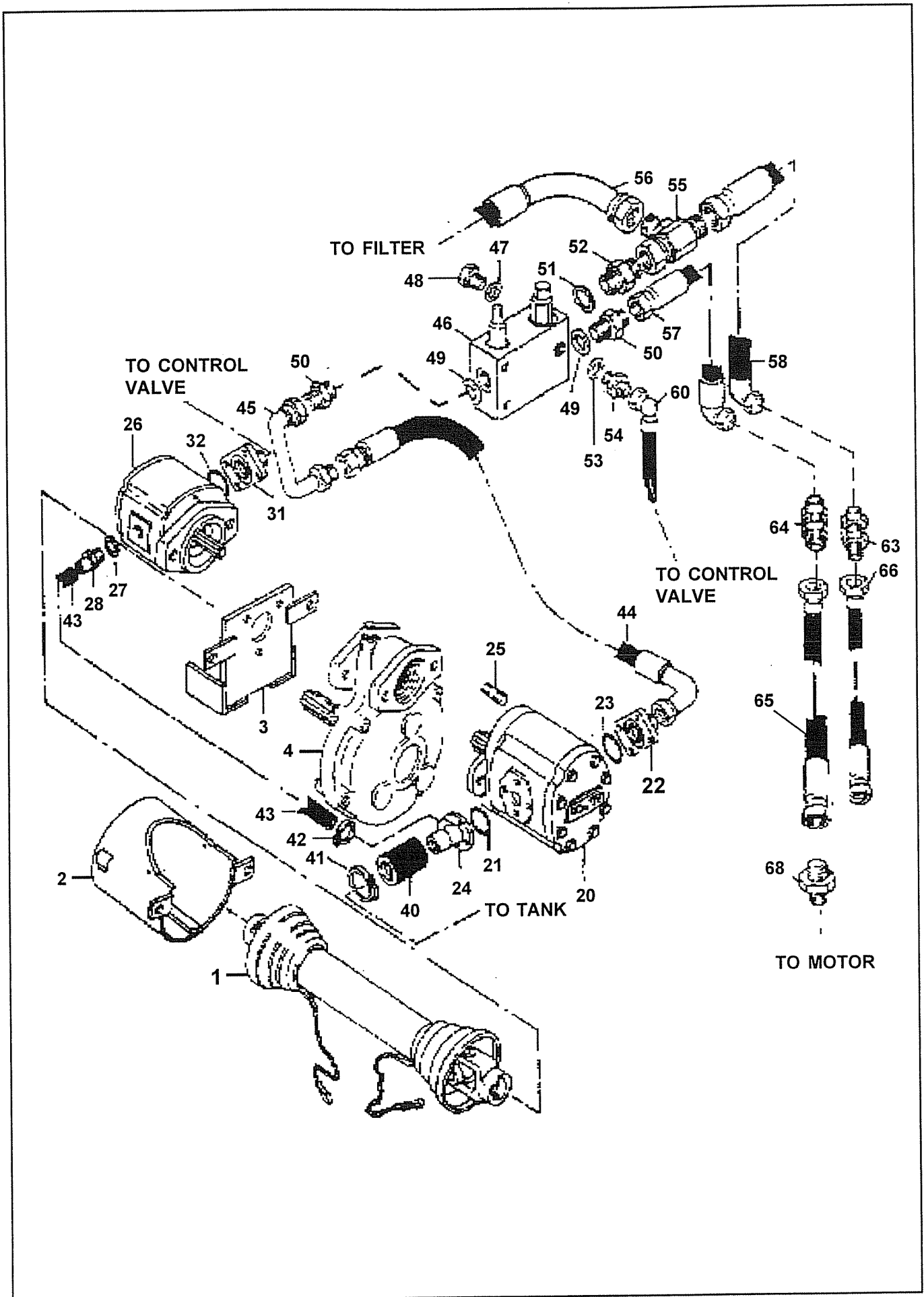
REF	PART NO.	DESCRIPTION	QTY
72.253.02 ARM SECOND RH			
30	03.786.02	INSTRUCTION PLATE-GREASE M10	1
30	05.953.03	GREASE NIPPLE M10	1
*30	41738.02	ARM - SECOND RH	1
31	08.297.02	BUSH - PLASTIC 47 X 40 X 40	5
*32	03.653.54	PIN 25 DIA X 129	1
32	03.786.01	INSTRUCTION PLATE-GREASE M6	1
32	05.201.07	TENSION PIN 8MM X 45MM PLATED	1
32	05.953.01	GREASE NIPPLE M6	1
*33	03.653.53	PIN 25 DIA X 258	1
33	03.786.01	INSTRUCTION PLATE-GREASE M6	1
33	05.201.07	TENSION PIN 8MM X 45MM PLATED	1
33	05.953.01	GREASE NIPPLE M6	1
*34	03.654.60	PIN - DIA 30 X 164	1
34	05.201.07	TENSION PIN 8MM X 45MM PLATED	1
35	05.281.02	FLAT WASHER 10MM PLATED FORM C	2
35	05.282.02	SPRING WASHER 10MM PLATED	2
35	05.282.09	SPRING WASHER 5MM PLATED	2
35	05.286.02	NUT M10 PLATED	2
*35	06.430.10	CLAMP HOSE	4
36	06.418.05	CLAMP PLATE 95 X 6	2

*MAIN PART IN GROUP, RELATED PARTS HAVE SAME REFERENCE NUMBER



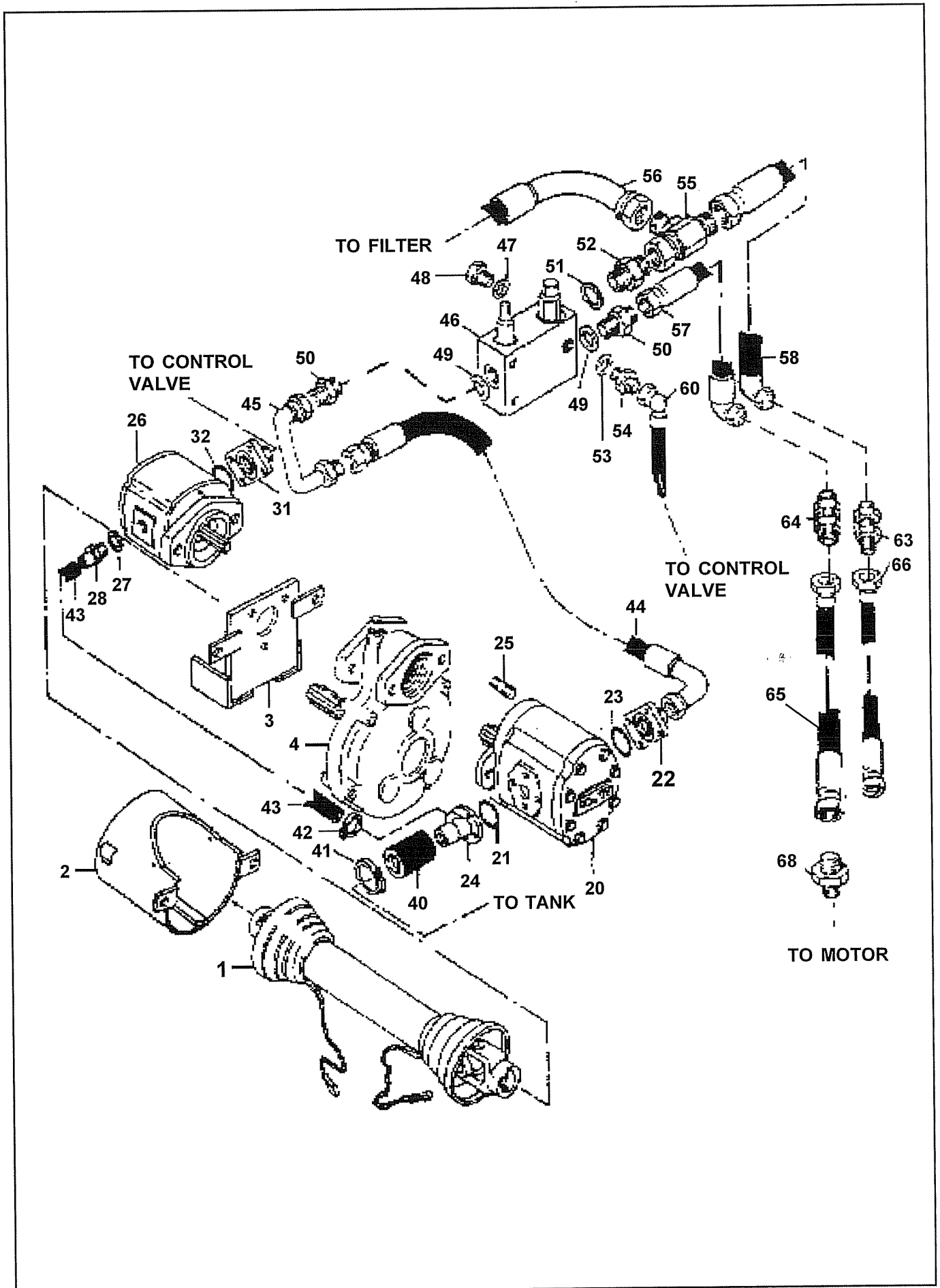
REF	PART NO.	DESCRIPTION	QTY
72.823.01 COWL BRKT AND LINKAGE RH			
50	09.784.02	BRACKET - COWL RH	1
51	09.783.01	BRACKET - SUPPORT	1
*52	03.837.01	SPACER 55 X 40.5 X 20 PLATED	1
52	05.282.02	SPRING WASHER 10MM PLATED	1
52	05.287.02	SELF-LOCKING NUT M10 PLATED	1
52	05.291.19	BOLT M10 X 70MM PLATED	1
53	05.287.02	SELF-LOCKING NUT M10 PLATED	1
53	05.291.18	BOLT M10 X 65 PLATED	1
*53	09.795.01	COLLAR - 35 X 20 (ZINC PLATED)	1
54	05.264.25	SETSCREW M12 X 40MM PLATED	6
54	05.282.03	SPRING WASHER 12MM PLATED	6
54	05.286.03	NUT M12 PLATED	6
*54	07.947.01	CLAMP - COWL BRACKET	1
55	03.786.01	INSTRUCTION PLATE-GREASE M6	2
55	05.953.01	GREASE NIPPLE M6	1
55	05.953.05	GREASE NIPPLE M6 X 90DEG	1
*55	09.786.01	LINK	1
56	05.282.04	SPRING WASHER 16MM PLATED	1
56	05.286.04	NUT M16 PLATED	1
*56	09.794.02	BRACKET - HOSE RH	1
57	03.786.02	INSTRUCTION PLATE-GREASE M10	1
57	05.953.03	GREASE NIPPLE M10	1
*57	09.785.01	BRACKET - COWL LINK	1
58	08.297.05	PLASTIC BUSH - 42 X 35 - 30	2
*59	03.654.59	PIN - DIA 30 X 128	1
59	05.201.07	TENSION PIN 8MM X 45MM PLATED	1
*60	03.653.59	PIN - DIA 25 X 128	1
60	05.201.07	TENSION PIN 8MM X 45MM PLATED	1

*MAIN PART IN GROUP, RELATED PARTS HAVE SAME REFERENCE NUMBER



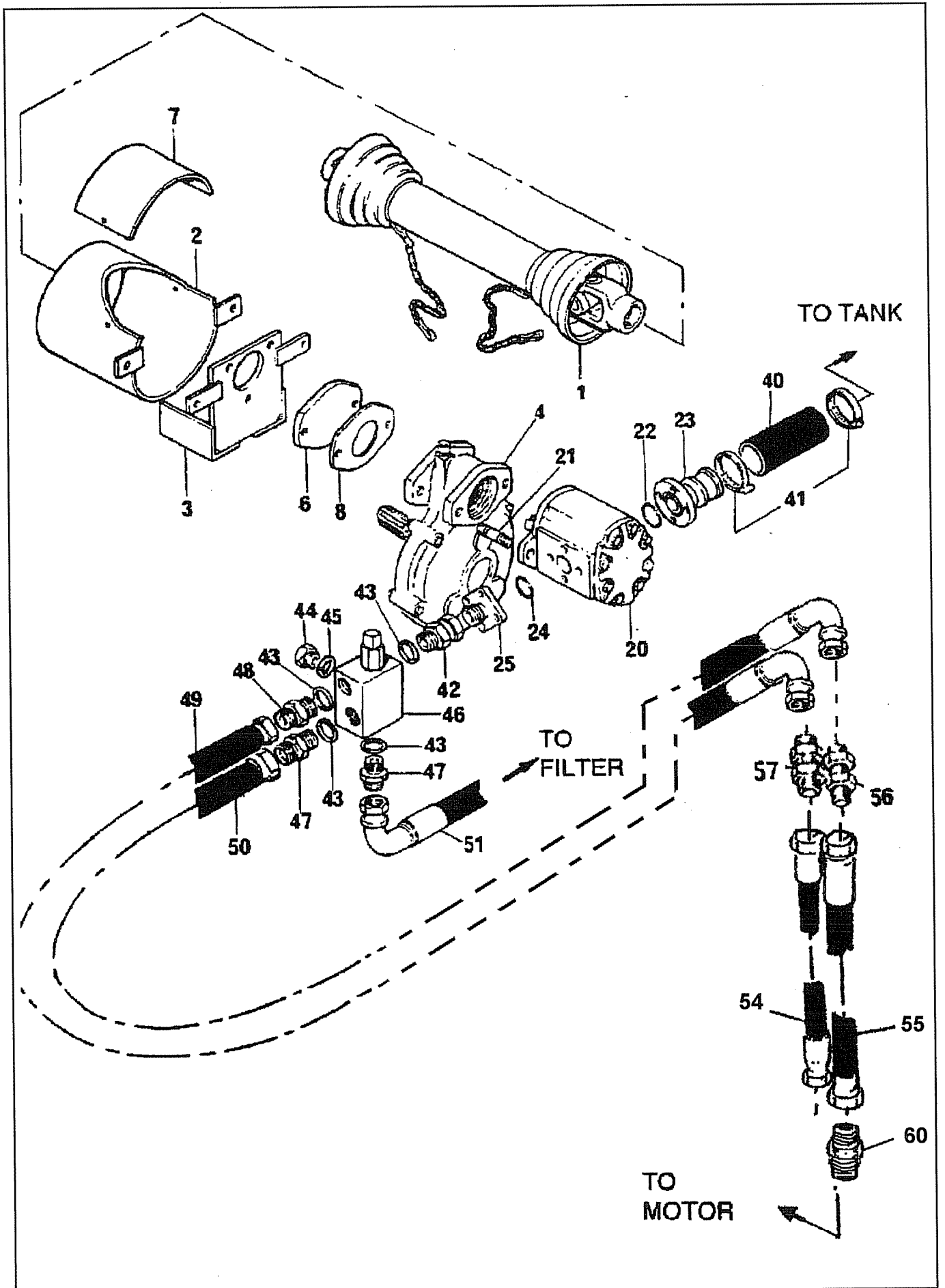
REF	PART NO.	DESCRIPTION	QTY
72.036.02 GEARBOX/PTO ASSEMBLY			
01	41623.02	PTO SHAFT ASSY 610MM C/C)	1
01	41623.33	COMPLETE SHIELD)	-
01	41623.01	CROSS JOURNAL SET)	-
*01	04.043.20	PTO SHAFT ASSEMBLY	1
01	01.043.02	CROSS JOURNAL SET	-
01	04.043.03	COMPLETE SHIELD	-
02	06.170.01	GUARD - PTO	1
74.946.03 PUMP CIRCUIT TWIN PUMP			
40	06.288.01	HOSE 1.1/2" BORE X 120MM	1
41	05.863.02	JUBILEE CLIP 2"DIA	2
42	05.863.03	JUBILEE CLIP 20-32 DIA	2
43	05.983.09	HOSE 3/4" BORE X 650MM PLAIN	1
44	08.959.15	HOSE 3/4"BORE X 1200 JIC 90 X ST	1
45	06.459.05	PIPE RIGID 3/4"X1.1/16"JIC	1
46	05.281.01	FLAT WASHER 8MM PLATED	2
46	05.282.01	SPRING WASHER 8MM PLATED	2
46	05.291.07	BOLT M8 X 60MM PLATED	2
46	05.625.11	SKT CAPSCRW 1/4UNC X 5/8 PLATD	2
46	06.284.02	SEAL KIT FOR (06.284.01) VALVE	-
*46	06.284.11	RELIEF VALVE/DIVERTER ASSY	1
46	06.284.18	RELIEF CARTRIDGE - 180 BAR	-
47	05.117.01	COPPER WASHER 3/8" BSP	1
48	05.433.01	PLUG 3/8"BSP PLATED	1
49	05.290.06	BONDED SEAL 3/4"BSP	2
50	05.377.01	ADAPTOR 3/4"BSP X 3/4"BSP	1
51	05.290.07	BONDED SEAL 1"BSP	1
52	05.434.01	ADAPTOR 1"BSP X 1"BSP	1
53	05.290.04	BONDED SEAL 3/8"BSP	1
54	08.955.07	ADAPTOR 3/8"BSP X 3/4" -16 JIC	1
55	04.056.20	ADAPTOR TEE 1"BSPX1.5/16"12JIC	1
56	08.961.01	HOSE 1"BORE X 500 JIC 90 X ST	1
57	08.959.59) B457	HOSE 3/4"BORE X 4800 JIC 90 X ST	1
58	08.961.61) M/Cs	HOSE 1"BORE X 5000 JIC 90 X ST	1
57	08.959.53] B397	HOSE 3/4"BORE X 4200 JIC 90 X ST	1
58	08.961.55] M/Cs	HOSE 1"BORE X 4400 JIC 90 X ST	1
60	08.958.12	HOSE 3/8"BORE X 700 JIC 90 X ST	1
61	04.282.09	STUD M10 X 85MM	1
61	05.281.02	FLAT WASHER 10MM PLATED FORM C	1
61	05.282.02	SPRING WASHER 10MM PLATED	1
61	05.286.02	NUT M10 PLATED	1
*61	06.430.10	CLAMP HOSE	2
62	06.418.05	CLAMP PLATE 95 X 6	1
63	08.128.14	ADAPTOR BULKHD 1.1/16"JIC CW LN	1
64	08.128.13	ADAPTOR BULKHD 1.5/16"JIC CW LN	1
65	08.962.34	HOSE 1"BORE X 2300 JIC ST X ST	1
66	08.960.34	HOSE 3/4"BORE X 2300 JIC ST X ST	1
67	8581192	UNION 3/4 BSP X 1 5/16 JIC	1
68	08.955.40	ADAPTOR 1.1/16" X 1.5/16"JIC	1

*MAIN PART IN GROUP, RELATED PARTS HAVE SAME REFERENCE NUMBER



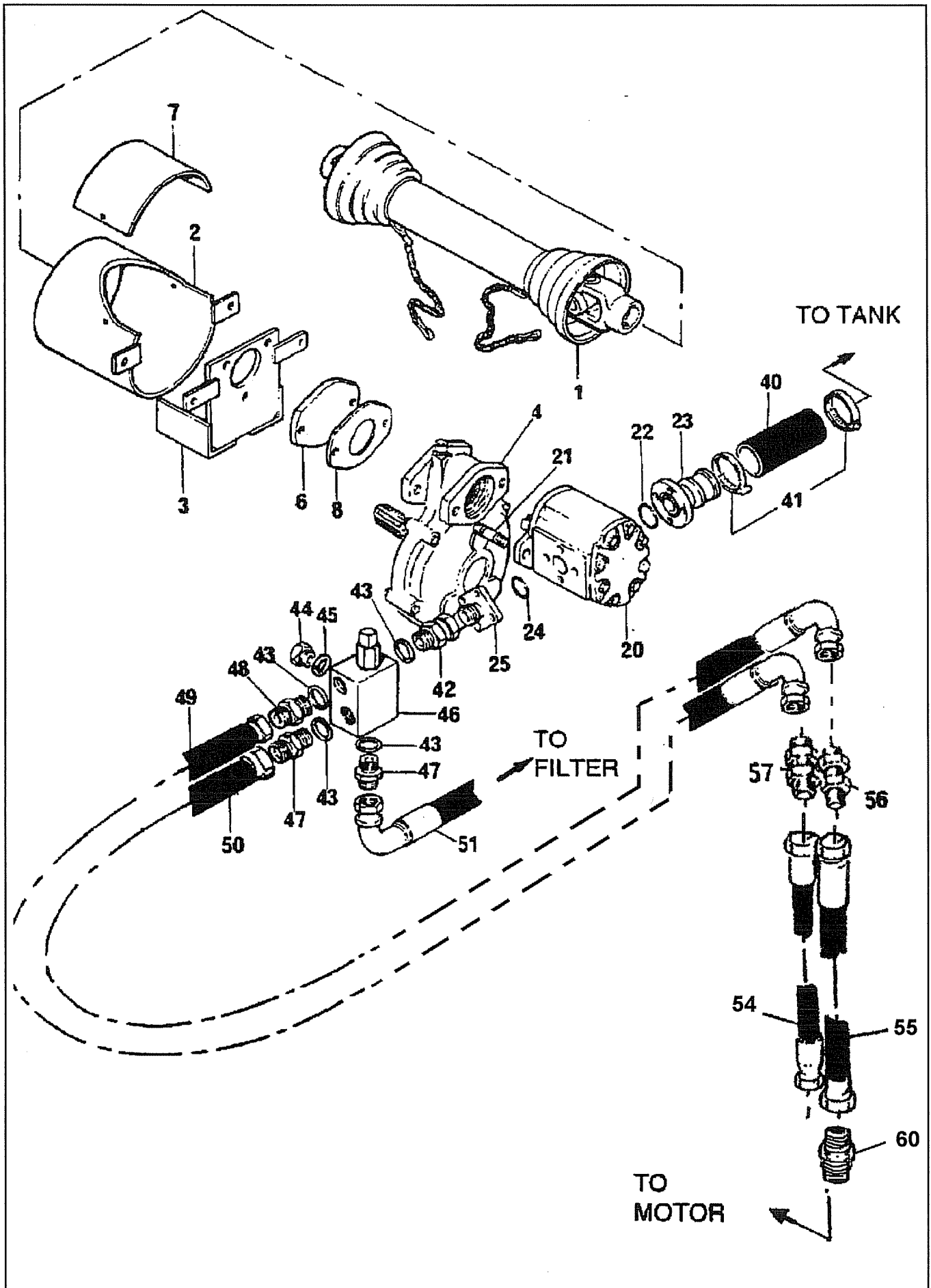
REF	PART NO.	DESCRIPTION	QTY
74.948.01 PUMP/GEARBOX			
02	05.264.02	SETSCREW M8 X 25MM PLATED	2
02	05.282.01	SPRING WASHER 8MM PLATED	2
02	05.286.01	NUT M8 PLATED	2
*02	06.170.01	GUARD - PTO	1
03	04.174.01	STUD M12 X 38MM	3
03	05.264.25	SETSCREW M12 X 40MM PLATED	1
03	05.287.02	SELF-LOCKING NUT M10 PLATED	2
03	05.291.13	BOLT M10 X 40MM PLATED	2
03	05.968.03	SELF LOCKING NUT M12 (FINE)	3
*03	09.889.01	BRACKET GEARBOX	1
04	09.828.01	GEARBOX ASSY - ESII	1
20	05.650.03	PUMP 2PL146 SPLINE SHAFT	1
21	05.656.01	"O"RING 28 I/D X 2.5	1
22	05.300.10	CAP PLASTIC 1 1/16"JIC	1
22	05.657.01	SCKT CAPSCRW 5/16"UNC X 7/8" PLT	4
*22	09.293.01	ADAPTOR - FLANGE 1 1/16"JIC	1
23	05.656.03	"O"RING 25 I/D X 3.53	1
24	05.657.01	SCKT CAPSCRW 5/16"UNC X 7/8" PLT	4
*24	06.251.01	ADAPTOR-INLET PLATED	1
*25	03.100.01	STUD M10 X 34MM	2
25	05.282.02	SPRING WASHER 10MM PLATED	2
25	05.287.02	SELF-LOCKING NUT M10 PLATED	2
26	09.537.01	GEAR PUMP - ULTRA 1PX070	1
27	05.290.05	BONDED SEAL 1/2"BSP	1
28	04.244.01	ADAPTOR 1/2"BSP X 3/4"O/D	1
31	05.300.09	PLASTIC CAP 3/4 JIC	1
*31	41.186.01	ADAPTOR FLANGE 3/4"-16 JIC	1
31	05.657.01	SCKT CAPSCRW 5/16"UNC X 7/8" PLT	4
32	30.210.92	O RING 200-121-4490	1

*MAIN PART IN GROUP, RELATED PARTS HAVE SAME REFERENCE NUMBER



REF	PART NO.	DESCRIPTION	QTY
72.910.01 GEARBOX/PTO ASSY SHED			
01	41623.02	PTO SHAFT ASSY 610MM C/C) Check type	1
01	41623.31	CROSS JOURNAL SET) for replacement	-
01	41623.33	COMPLETE SHIELD) parts	-
*01	04.043.20	PTO SHAFT ASSEMBLY	1
01	01.043.02	CROSS JOURNAL SET	-
01	04.043.03	COMPLETE SHIELD	-
02	05.264.02	SETSCREW M8 X 25MM PLATED	2
02	05.282.01	SPRING WASHER 8MM PLATED	2
02	05.286.01	NUT M8 PLATED	2
*02	06.170.01	GUARD - PTO	1
03	04.174.01	STUD M12 X 38MM	3
03	05.264.24	SETSCREW M12 X 35MM PLATED	4
03	05.287.03	SELF-LOCKING NUT M12 PLATED	4
03	05.968.03	SELF LOCKING NUT M12 (FINE)	3
*03	09.828.01	GEARBOX ASSY - ESII	1
*04	07.167.01	GASKET	1
05	05.264.25	SETSCREW M12 X 40MM PLATED	1
05	05.281.03	FLAT WASHER 12MM PLATED	1
05	05.282.02	SPRING WASHER 10MM PLATED	2
05	05.286.02	NUT M10 PLATED	2
05	05.291.13	BOLT M10 X 40MM PLATED	2
*05	09.889.01	BRACKET GEARBOX	1
06	04.182.01	PLATE - BLANKING	1
*07	04.063.01	PLATE-COVER	1
07	05.969.01	SELF-TAPPING SCREW NO.6 X 1/2"	2
72.913.01 PUMP SCHEDULE			
20	01.071.13	KEY-SEP 1/4" X 1/4" X 1"	-
20	05.642.02	SEAL KIT (05 650 PUMPS)	-
*20	05.650.03	PUMP 2PL146 SPLINE SHAFT	1
20	05.656.01	"O"RING 28 I/D X 2.5	1
*21	03.100.01	STUD M10 X 34MM	2
21	05.282.02	SPRING WASHER 10MM PLATED	2
21	05.287.02	SELF-LOCKING NUT M10 PLATED	2
*23	03.050.02	ADAPTOR-FLANGED 1.1/2" O/D PLATED	1
23	05.657.01	SCKT CAPSCRW 5/16"UNC X 7/8" PLT	4
24	05.656.03	"O"RING 25 I/D X 3.53	1
*25	03.864.01	ADAPTOR-FLANGED 3/4"BSP PLATED	1
25	05.657.01	SCKT CAPSCRW 5/16"UNC X 7/8" PLT	4

*MAIN PART IN GROUP, RELATED PARTS HAVE SAME REFERENCE NUMBER

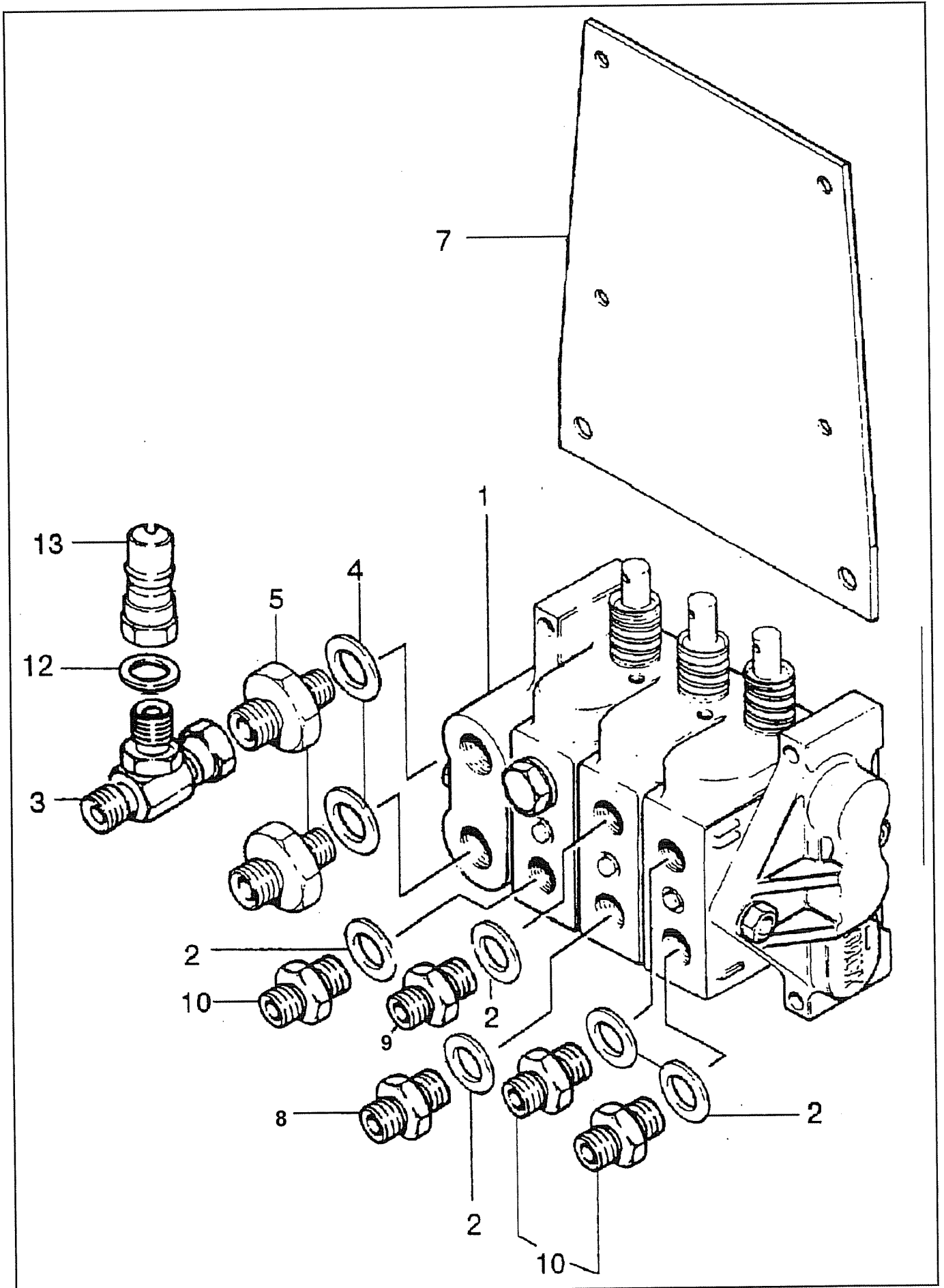


REF	PART NO.	DESCRIPTION	QTY
72.273.02 PUMP CIRCUIT SINGLE PUMP			
40	06.288.01	HOSE 1.1/2" BORE X 120MM	1
41	05.863.02	JUBILEE CLIP 2"DIA	2
42	03.858.01	ADAPTOR-SWIVEL ST 3/4"BSP M/F	1
43	05.290.06	BONDED SEAL 3/4"BSP	4
44	05.433.01	PLUG 3/8"BSP PLATED	1
45	05.117.01	COPPER WASHER 3/8" BSP	1
46	03.862.02	SEAL KIT (03862 VALVES)	-
*46	03.862.06	RELIEF VALVE ASSY	1
46	03.862.07	RELIEF CARTRIDGE - 180 BAR	-
47	8581192	UNION 3/4 BSP X 1 5/16 JIC	2
48	08.955.19	ADAPTOR 3/4"BSPX1.1/16"-12 JIC	1
49	#08.959.48	HOSE 3/4"BORE X 3700 JIC 90 X ST	1
49	~08.959.42	HOSE 3/4"BORE X 3100 JIC 90 X ST	1
50	#08.961.50	HOSE 1"BORE X 3900 JIC 90 X ST	1
50	~08.961.55	HOSE 1"BORE X 3400 JIC 90 X ST	1
51	08.961.23	HOSE 1"BORE X 1600 JIC 90 X ST	1
52	08.128.14	ADAPTOR BULKHD 1.1/16 JIC CW LN	1
53	08.128.13	ADAPTOR BULKHD 1.5/16 JIC CW LN	1
54	08.960.34	HOSE 3/4"BORE X 2300 JIC ST X ST	1
55	08.962.34	HOSE 1"BORE X 2300 JIC ST X ST	1
56	8581192	UNION 3/4 BSP X 1 5/16 JIC	1
57	08.955.19	ADAPTOR 3/4"BSP X 1.1/16"-12 JIC	1
58	04.282.09	STUD M10 X 85MM	1
58	05.281.02	FLAT WASHER 10MM PLATED FORM C	1
58	05.282.02	SPRING WASHER 10MM PLATED	1
58	05.286.02	NUT M10 PLATED	1
*58	06.430.10	CLAMP HOSE	2
59	06.418.05	CLAMP PLATE 95 X 6	1
60	08.955.40	ADAPTOR 1.1/16" X 1.5/16"JIC	1

- B457 MACHINES

~ - B397 MACHINES

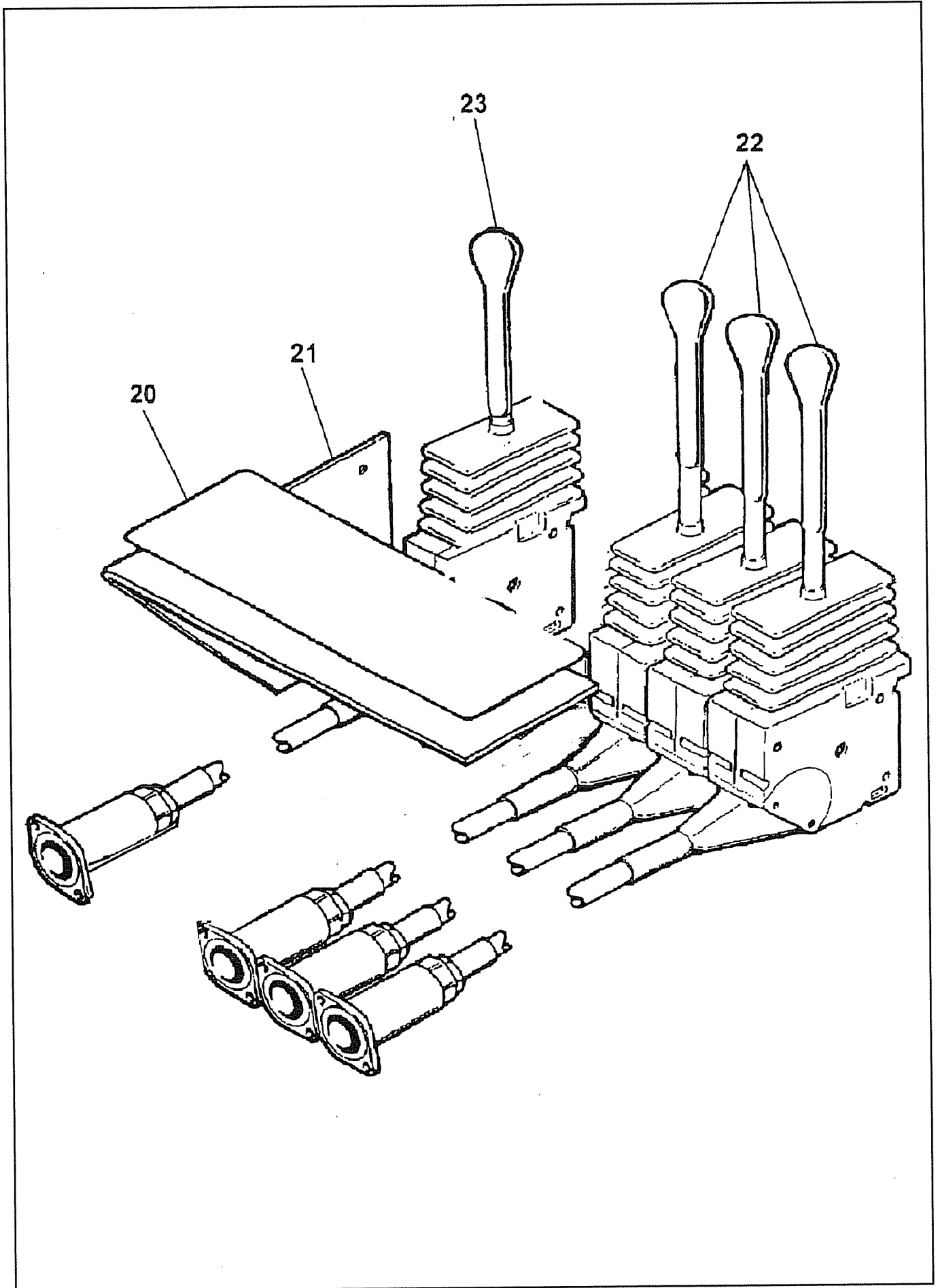
*MAIN PART IN GROUP, RELATED PARTS HAVE SAME REFERENCE NUMBER



REF	PART NO.	DESCRIPTION	QTY
76.141.01 CONTROL VALVE ASSEMBLY			
01	0342061	SKT CAPSCREW 1/4"UNC X 3/4" BSP	6
01	05.300.02	PLUG-PLASTIC 3/8"BSP FEMALE	2
01	05.300.08	PLASTIC CAP 9/16 JIC	5
*01	41335.01	VALVE ASSY-3 SPOOL	1
02	05.290.05	BONDED SEAL 1/2"BSP	5
03	04.056.30	ADAPTOR-TEE 3/8 X 1/4 X 3/4 JIC FMM	1
04	05.290.06	BONDED SEAL 3/4"BSP	2
05	05.128.01	ADAPTOR 3/4" BSP X 3/8" BSP	2
07	05.282.02	SPRING WASHER 10MM PLATED	3
07	05.286.02	NUT M10 PLATED	3
07	05.291.18	BOLT M10 X 65 PLATED	3
07	08.057.01	PLATE - CONTROL VALVE KONTAK	1
08	03.028.25	RESTRICTOR 1/2" X 9/16" JIC (1.27)	1
09	03.028.26	RESTRICTOR 1/2" X 9/16" JIC (1.00)	1
10	08.955.11	ADAPTOR 1/2"BSP X 9/16"-18 JIC	3
12	05.290.02	BONDED SEAL 1/4"BSP	1
13	05.146.12	Q/R COUPLING 1/4" BSP MALE	1

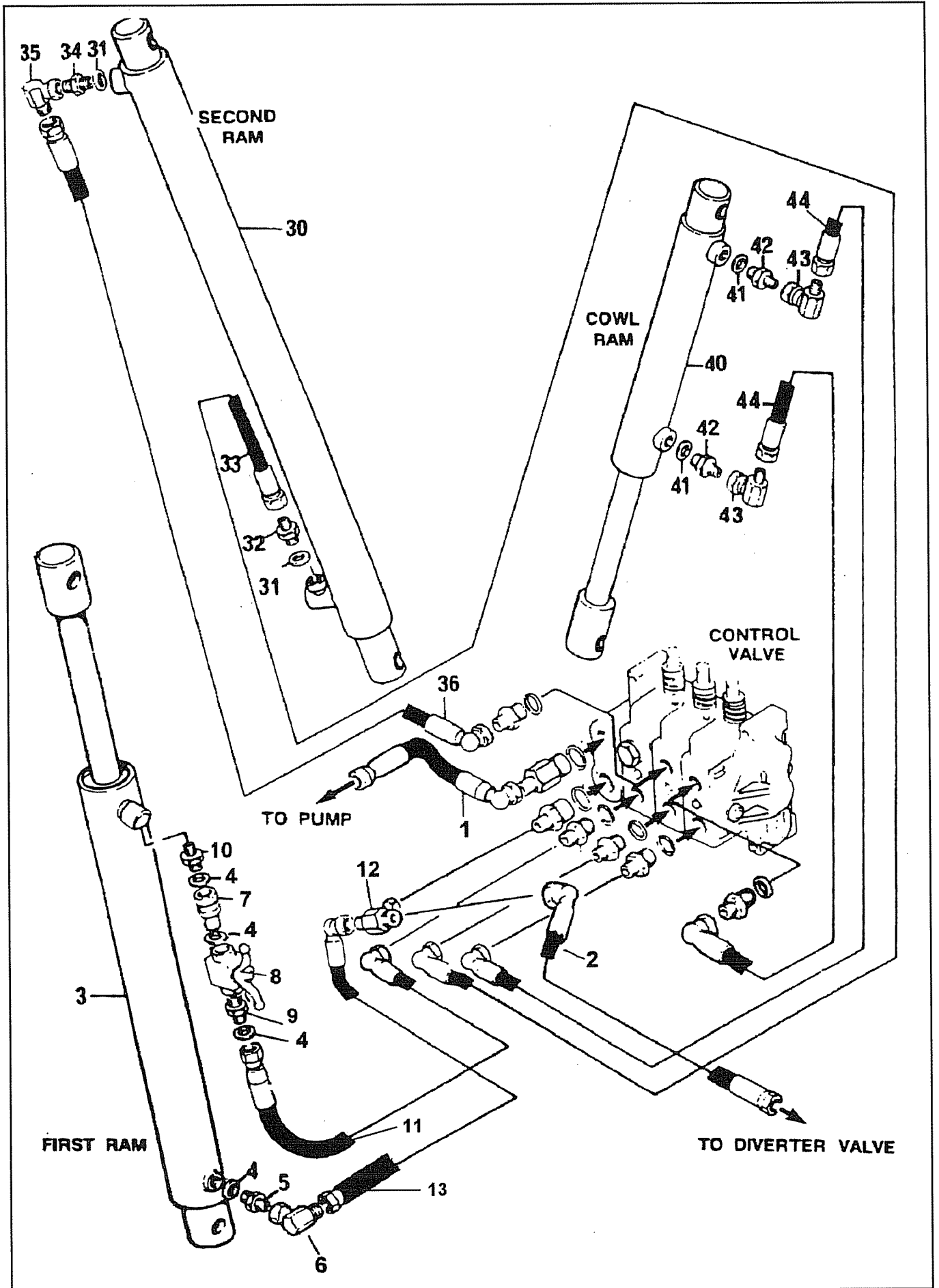
*MAIN PART IN GROUP, RELATED PARTS HAVE SAME REFERENCE NUMBER

REMOTE CONTROL ASSEMBLY



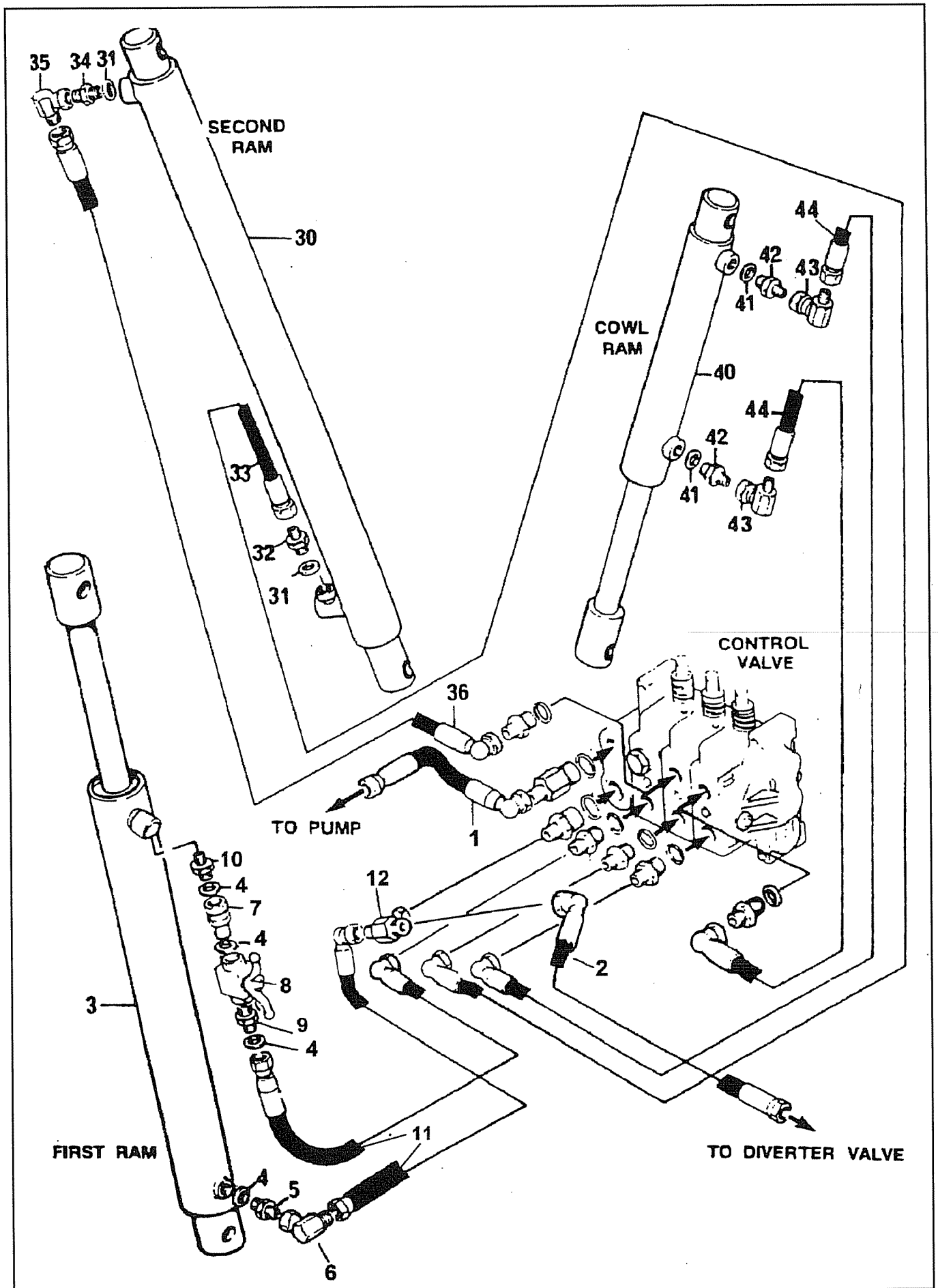
REF	PART NO.	DESCRIPTION	QTY
74.923.01 CABLE ASSEMBLY - TWIN PUMP			
20	09.916.04	DECAL - LEVER OP. 4 LEVER RH	1
21	05.839.03	SETSCREW M8 X 16MM PLATED	2
21	05.948.07	WING NUT M8 - PLATED	2
*21	09.970.02	BRACKET-4 LEVER MOUNTING RH	1
22	04.282.70	STUD - M6 X 191 PLATED	3
22	05.281.10	FLAT WASHER 6MM PLATED	3
22	05.282.07	SPRING WASHER 6MM PLATED	3
22	05.286.10	NUT M6 PLATED	6
*22	09.968.01	CABLE ASSY TMC - 2.5M BLACK LG	3
23	09.968.07	CABLE ASSY TMC - 2.5M RED SHRT	1
74.921.01 CABLE ASSEMBLY - SINGLE PUMP			
20	09.916.14	DECAL - LEVER OP. 3 LEVER RH	1
21	05.839.03	SETSCREW M8 X 16MM PLATED	2
21	05.948.07	WING NUT M8 - PLATED	2
*21	41.181.02	BRACKET-3 LEVER MOUNTING RH	1
22	04.282.73	STUD - M6 X 149 PLATED	3
22	05.281.10	FLAT WASHER 6MM PLATED	3
22	05.282.07	SPRING WASHER 6MM PLATED	3
22	05.286.10	NUT M6 PLATED	6
*22	09.968.01	CABLE ASSY TMC - 2.5M BLACK LG	3

*MAIN PART IN GROUP, RELATED PARTS HAVE SAME REFERENCE NUMBER



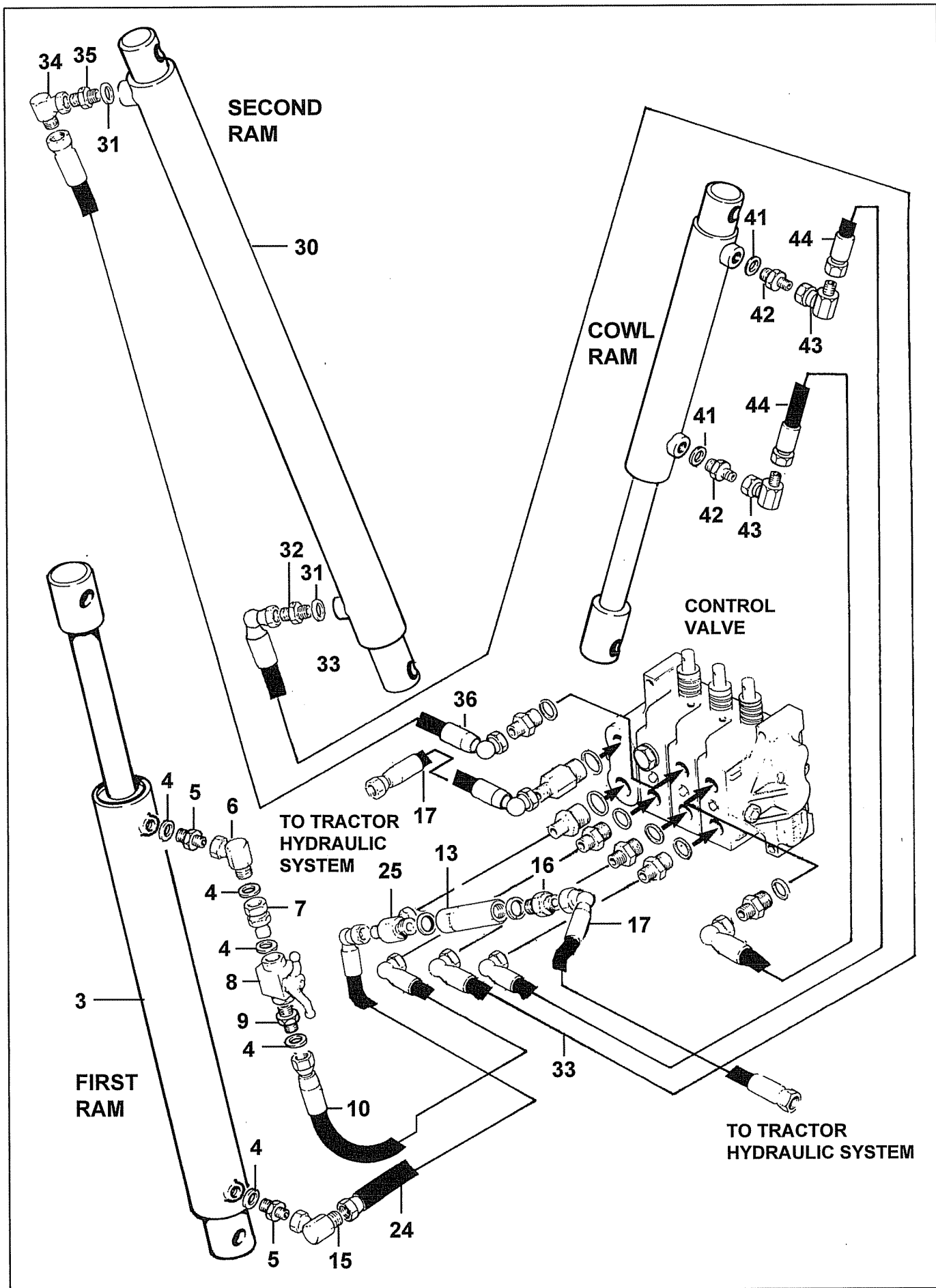
REF	PART NO.	DESCRIPTION	QTY
74.947.01 RAM CIRCUIT-FIRST RAM			
02	08.958.12	HOSE 3/8"BORE X 700 JIC 90 X ST	1
03	04.271.02	SEAL KIT (04271 RET. RAMS)	-
*03	04.271.16	RAM ASSY D/A 70MM BORE X 635MM	1
04	05.290.04	BONDED SEAL 3/8"BSP	4
05	05.124.01	ADAPTOR 3/8" BSP X 3/8" BSP	1
06	05.835.01	ADAPTOR SWIVEL 90 3/8" BSP M/F	1
07	02.714.01	ADAPTOR-SWIVEL ST 3/8BSP M/F	1
08	08.200.01	VALVE - ISOLATING 3/8" BSP	1
09	08.955.06	ADAPTOR 3/8"BSP X 9/16"-18 JIC	2
11	08.957.30	HOSE 1/4"BORE X 2200MM JIC 90 X ST	1
12	04.056.32	ADAPTOR TEE 3/8 X 9/16 X 3/4 JIC	1
13	08.957.28	HOSE 1/4"BORE X 2000MM JIC 90 X ST	1
74.944.02 RAM CIRCUIT SECOND ARM			
30	04.156.13	SEAL KIT (04156 D/A RAMS)	-
*30	04.156.22	RAM ASSY-D/A 60MM BORE X 645MM	1
31	05.290.04	BONDED SEAL 3/8"BSP	2
32	03.028.27	RESTRICTOR 3/8"X9/16"JIC(1.70)	1
33	08.957.33	HOSE 1/4"BORE X 2500MM JIC 90 X ST	1
34	01.099.01	ADAPTOR 3/8"BSP X 1/4 BSP	1
35	05.835.11	ADAPTOR SWIVEL 90 1/4 X 9/16 JIC	1
36	08.957.33	HOSE 1/4"BORE X 2500MM JIC 90 X ST	1
74.945.02 RAM CIRCUIT COWL RAM			
40	04.156.13	SEAL KIT (04156 D/A RAMS)	-
*40	04.156.24	RAM ASSY-D/A 60MM BORE X 430MM	1
40	05.201.11	TENSION PIN 5MM X 45MM	
40	05.953.01	GREASE NIPPLE M6	2
41	05.290.04	BONDED SEAL 3/8"BSP	2
42	03.028.23	RESTRICTOR 3/8"X9/16"JIC(1.27)	1
43	03.028.08	RESTRICTOR 3/8" X 1/4"BSP 1.27	1
44	05.835.11	ADAPTOR SWIVEL 90 1/4 X 9/16 JIC	1
45	08.957.46	HOSE 1/4"BORE X 3800MM JIC 90 X ST	1

*MAIN PART IN GROUP, RELATED PARTS HAVE SAME REFERENCE NUMBER



REF	PART NO.	DESCRIPTION	QTY
74.952.01 RAM CIRCUIT FIRST RAM			
01	08.958.16	HOSE 3/8"BORE X 900 JIC 90 X ST	1
02	08.958.12	HOSE 3/8"BORE X 700 JIC 90 X ST	1
03	04.271.02	SEAL KIT (04271 RET. RAMS)	1
*03	04.271.10	RAM ASSY D/A 70MM BORE X 670MM	1
04	05.290.04	BONDED SEAL 3/8"BSP	4
05	03.028.08	RESTRICTOR 3/8" X 1/4"BSP 1.27	1
06	05.835.11	ADAPTOR SWIVEL 90 1/4 X 9/16 JIC	1
07	02.714.01	ADAPTOR-SWIVEL ST 3/8BSP M/F	1
08	08.200.01	VALVE - ISOLATING 3/8" BSP	1
09	08.955.06	ADAPTOR 3/8"BSP X 9/16"-18 JIC	1
10	05.124.01	ADAPTOR 3/8" BSP X 3/8" BSP	1
11	08.957.30	HOSE 1/4"BORE X 2200MM JIC 90 X ST	1
12	04.056.32	ADAPTOR TEE 3/8 X 9/16 X 3/4 JIC	2
74.953.01 RAM CIRCUIT SECOND ARM			
30	04.156.13	SEAL KIT (04156 D/A RAMS)	-
*30	04.156.38	RAM ASSY-D/A 60MM BORE X 580MM	1
31	05.290.04	BONDED SEAL 3/8"BSP	2
32	03.028.27	RESTRICTOR 3/8"X9/16"JIC(1.70)	1
33	08.957.30	HOSE 1/4"BORE X 2200MM JIC 90 X ST	1
34	01.099.01	ADAPTOR 3/8"BSP X 1/4 BSP	1
36	08.957.37	HOSE 1/4"BORE X 2900MM JIC 90 X ST	1
74.950.01 RAM CIRCUIT COWL RAM			
40	04.156.13	SEAL KIT (04156 D/A RAMS)	-
*40	04.156.24	RAM ASSY-D/A 60MM BORE X 430MM	1
40	05.953.01	GREASE NIPPLE M6	2
40	05.201.11	TENSION PIN 5MM X 45MM	
41	05.290.04	BONDED SEAL 3/8"BSP	2
42	03.028.23	RESTRICTOR 3/8"X9/16"JIC(1.27)	1
43	03.028.08	RESTRICTOR 3/8" X 1/4"BSP 1.27	1
44	05.835.11	ADAPTOR SWIVEL 90 1/4 X 9/16 JIC	1
45	08.957.68	HOSE 1/4"BORE X 6000MM JIC 90 X ST	1

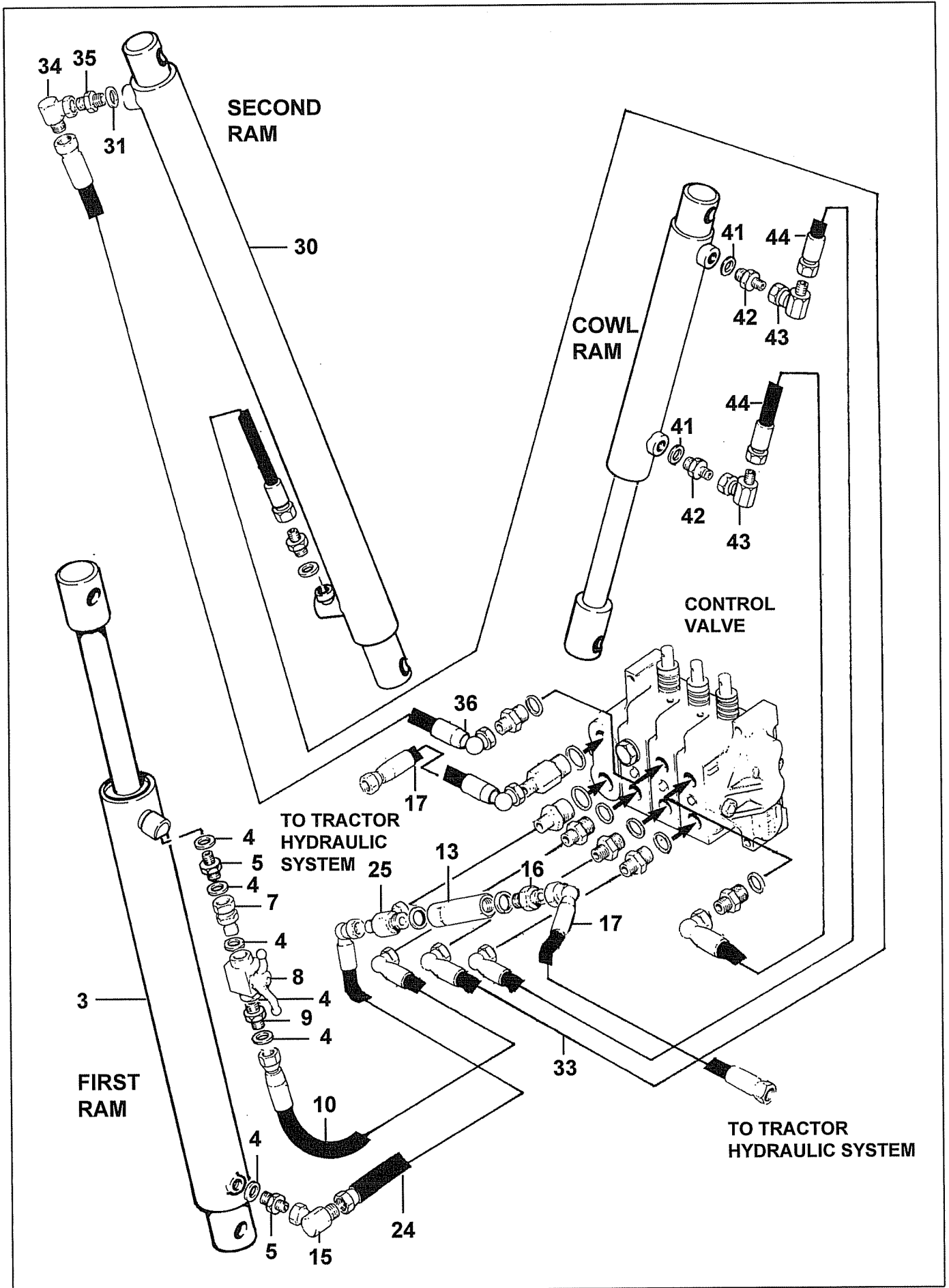
*MAIN PART IN GROUP, RELATED PARTS HAVE SAME REFERENCE NUMBER



REF	PART NO.	DESCRIPTION	QTY
72.275.03 RAM CIRCUIT FIRST RAM			
03	04.271.02	SEAL KIT (04271 RET. RAMS)	-
*03	04.271.16	RAM ASSY-70 BORE X 635 STROKE	1
04	05.290.04	BONDED SEAL 3/8"BSP	8
05	05.124.01	ADAPTOR 3/8" BSP X 3/8" BSP	1
06	05.835.01	ADAPTOR-SWIVEL 90 3/8"BSP M/F	1
07	02.714.01	ADAPTOR-SWIVEL ST 3/8BSP M/F	1
08	08.200.01	VALVE - ISOLATING 3/8" BSP	1
09	08.955.06	ADAPTOR 3/8"BSP X 9/16"-18 JIC	1
10	08.957.30	HOSE 1/4"BORE X 2200MM JIC 90 X ST	1
12	05.835.11	ADAPTOR SWIVEL 90 1/4 X 9/16 JIC	1
13	06.282.01	NON-RETURN VALVE - 3/8" BSP	1
17	08.958.28	HOSE 3/8"BORE X 2000 JIC 90 X ST	2
18	08.955.07	ADAPTOR 3/8"BSP X 3/4" -16 JIC)	2
19	05.290.05	BONDED SEAL 1/2"BSP) N.I.	2
*20	05.225.01	ADAPTOR-RDCG.1/2"BSP X 3/8"BSP)	2
20	05.300.03	PLUG-PLASTIC 1/2"BSP FEMALE)	2
24	08.957.28	HOSE 1/4"BORE X 2000 JIC 90 X ST	1
25	04.056.35	TEE ADAPTOR 3/8" X 3/8" X 9/16"JIC	1
26	08.955.07	ADAPTOR 3/8"BSP X 3/4" -16 JIC	1
74.944.02 RAM CIRCUIT - SECOND RAM			
30	04.156.13	SEAL KIT (04156 D/A RAMS)	-
30	04.156.22	RAM ASSY-D/A 60MM BORE X 645MM	1
31	05.290.04	BONDED SEAL 3/8"BSP	2
32	03.028.27	RESTRICTOR 3/8" X 9/16"JIC(1.70)	1
33	08.957.33	HOSE 1/4"BORE X 2500 JIC 90 X ST	1
34	01.099.01	ADAPTOR 3/8 BSP X 1/4 BSP	1
35	05.835.11	ADAPTOR SWIVEL 90 1/4 X 9/16 JIC	1
36	08.957.33	HOSE 1/4"BORE X 2500 JIC 90 X ST	1
74.945.02 RAM CIRCUIT - COWL RAM			
40	04.156.13	SEAL KIT (04156 D/A RAMS)	-
*40	04.156.24	RAM ASSY-D/A 60MM BORE X 430MM	1
40	05.953.01	GREASE NIPPLE M6	2
41	05.290.04	BONDED SEAL 3/8"BSP	2
42	03.028.23	RESTRICTOR 3/8"X9/16"JIC(1.27)	1
43	03.028.08	RESTRICTOR 3/8" X 1/4"BSP 1.27	1
44	05.835.11	ADAPTOR SWIVEL 90 1/4 X 9/16 JIC	1
45	08.957.46	HOSE 1/4" BORE X 3800 JIC 90/ST	2

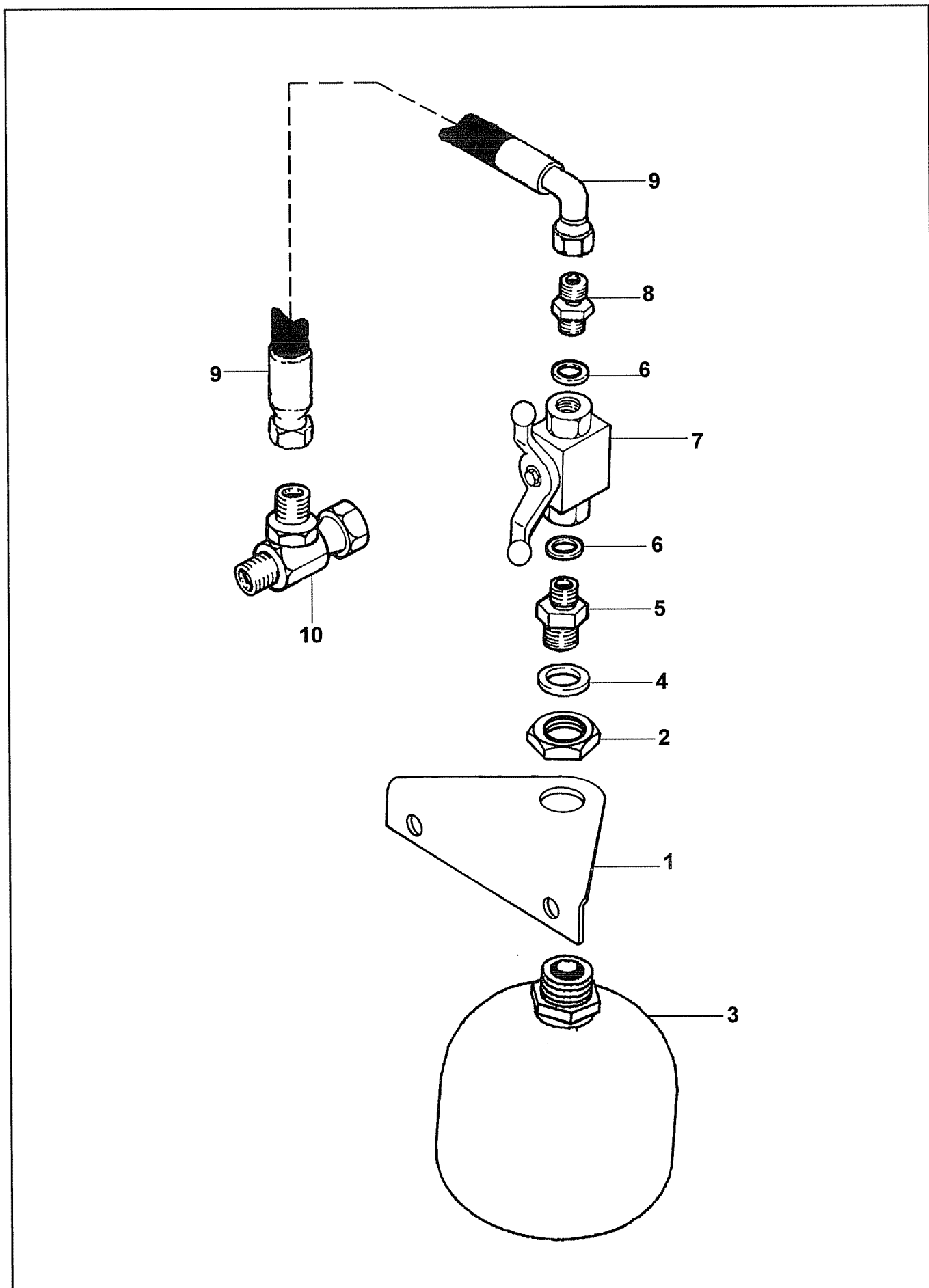
N.I. = Not illustrated

*MAIN PART IN GROUP, RELATED PARTS HAVE SAME REFERENCE NUMBER



REF	PART NO.	DESCRIPTION	QTY
72.259.03 RAM CIRCUIT FIRST RAM			
03	04.271.02	SEAL KIT (04271 RET. RAMS)	-
*03	04.271.10	RAM ASSY D/A 70MM BORE X 670MM	1
04	05.290.04	BONDED SEAL 3/8"BSP	8
05	05.124.01	ADAPTOR 3/8" BSP X 3/8" BSP	1
07	02.714.01	ADAPTOR-SWIVEL ST 3/8"BSP M/F	1
08	08.200.01	VALVE - ISOLATING 3/8" BSP	1
09	08.955.06	ADAPTOR 3/8"BSP X 9/16"-18 JIC	1
10	08.957.30	HOSE 1/4"BORE X 2200MM JIC 90 X ST	1
13	06.282.01	NON-RETURN VALVE - 3/8" BSP	1
15	05.835.11	ADAPTOR SWIVEL 90 1/4" X 9/16" JIC	1
16	08.955.07	ADAPTOR 3/8"BSP X 3/4" -16 JIC	1
17	08.958.28	HOSE 3/8"BORE X 2000 JIC 90 X ST	1
18	08.955.07	ADAPTOR 3/8"BSP X 3/4" -16 JIC)	2
19	05.290.05	BONDED SEAL 1/2"BSP) N.I.	2
*20	05.225.01	ADAPTOR-RDCG 1/2"BSP X 3/8"BSP)	2
20	05.300.03	PLUG-PLASTIC 1/2"BSP FEMALE)	2
24	08.957.30	HOSE 1/4"BORE X 2200MM JIC 90 X ST	1
25	04.056.35	TEE ADAPTOR 3/8" X 3/8" X 9/16"JIC	1
72.257.02 RAM CIRCUIT SECOND ARM			
30	04.156.13	SEAL KIT (04156 D/A RAMS)	-
*30	04.156.22	RAM ASSY-D/A 60MM BORE X 645MM	1
31	05.290.04	BONDED SEAL 3/8" BSP	2
32	03.028.27	RESTRICTOR 3/8" X 9/16" JIC (1.70)	1
33	08.957.30	HOSE 1/4"BORE X 2200MM JIC 90 X ST	1
34	01.099.01	ADAPTOR 3/8"BSP X 1/4" BSP	1
35	05.835.11	ADAPTOR SWIVEL 90 1/4 X 9/16 JIC	1
36	08.957.37	HOSE 1/4"BORE X 2900MM JIC 90 X ST	1
74.956.03 RAM CIRCUIT - COWL RAM			
40	04.156.13	SEAL KIT (04156 D/A RAMS)	-
*40	04.156.24	RAM ASSY-D/A 60MM BORE X 430MM	1
40	05.201.11	TENSION PIN 5MM X 45MM PLATED	1
40	05.953.01	GREASE NIPPLE M6	2
41	05.290.04	BONDED SEAL 3/8"BSP	2
42	03.028.23	RESTRICTOR 3/8" X 9/16"JIC (1.27)	1
43	03.028.08	RESTRICTOR 3/8" X 1/4"BSP 1.27	1
44	05.835.11	ADAPTOR SWIVEL 90 1/4 X 9/16 JIC	1
45	08.957.50	HOSE 1/4" BORE X 4200 JIC 90 X ST	1

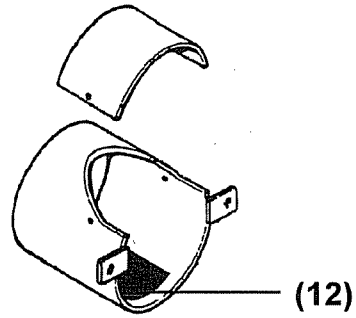
*MAIN PART IN GROUP, RELATED PARTS HAVE SAME REFERENCE NUMBER



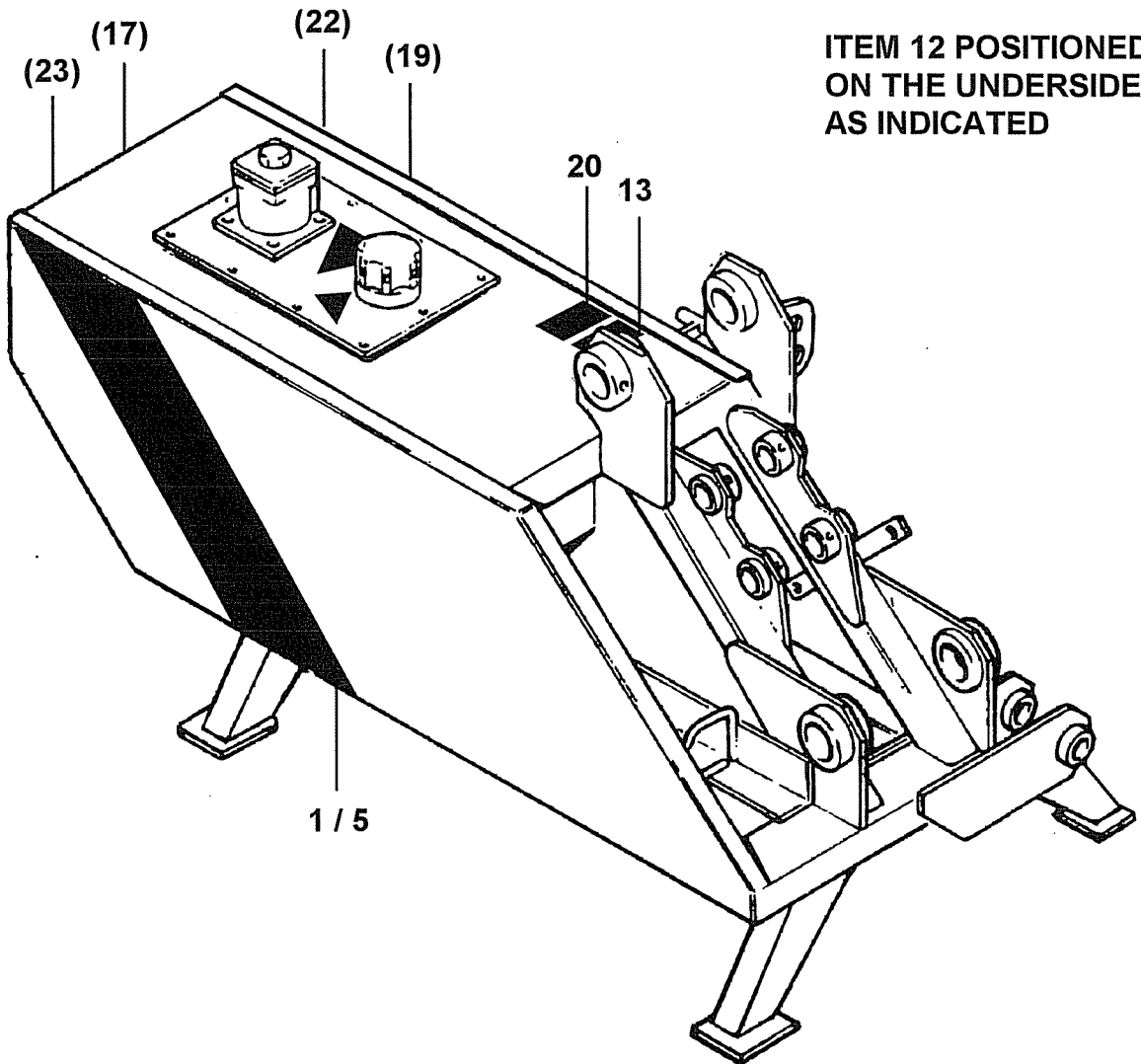
REF	PART NO.	DESCRIPTION	QTY
72.035.01 ACCUMULATOR KIT			
00	09.852.01	DECAL - ARM FLOAT	1
*01	43239.01	BRACKET	1
01	05.264.13	SETSCREW M10 X 30MM PLATED	2
01	05.282.02	SPRING WASHER 10MM PLATED	2
01	05.286.02	NUT M10 PLATED	2
02	8126035	M33 NUT, BULKHEAD	1
03	41451.02	ACCUMULATOR	1
04	05.290.05	BONDED SEAL 1/2"BSP	1
05	05.123.01	ADAPTOR 1/2" BSP X 3/8" BSP	1
06	05.290.04	BONDED SEAL 3/8"BSP	2
07	08.200.01	VALVE - ISOLATING 3/8" BSP	1
08	01.099.01	ADAPTOR 3/8BSP X1/4BSP	1
09	10.002.12	HOSE 1/4"BSP ST X 90 S.SEAL 600	1
10	04.056.10	ADAPTOR - TEE 1/4"BSP F/M/M	1

*MAIN PART IN GROUP, RELATED PARTS HAVE SAME REFERENCE NUMBER

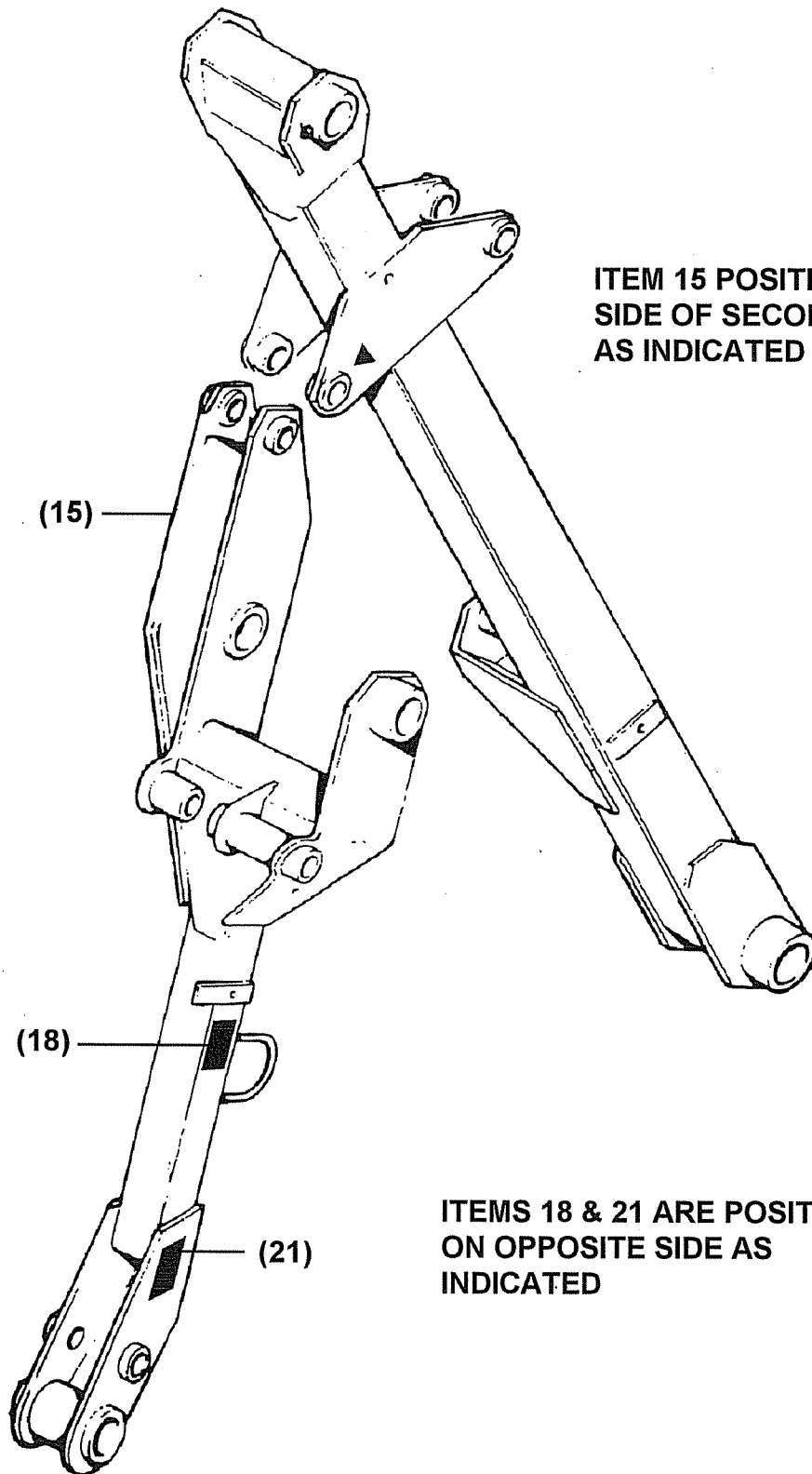
ITEMS 23, 17, 22 & 19 ARE
POSITIONED ON TOP EDGE
OF TANK AS INDICATED



ITEM 12 POSITIONED
ON THE UNDERSIDE
AS INDICATED



REF	PART NO.	DESCRIPTION	QTY
71.924.01 DECALS B457 RH			
01	07.522.02	DECAL-BOMFORD B457	1
02	09.843.04	DECAL - LIFT POINT 750 KG	1
03	09.810.01	DECAL-GREASE (8 HOURS)	9
04	07.522.18	BOMFORD DECAL RH	1
72.272.01 DECALS			
05 1	07.522.14	DECAL - BOMFORD B397	
74.912.01 ENGINEERING DECALS			
10	08.632.01	DECAL - TRANSPORT	1
11	09.030.01	DECAL - OIL FILTER	1
12	09.811.04	DECAL - MAX PTO SPEED 540 ACW	1
13	09.821.01	DECAL - READ INSTRUCTION BOOK	1
14	09.821.02	DECAL - STAY CLEAR O'HD CABLES	1
15	09.821.03	DECAL - DON'T STAND UNDER ARMS	1
16	09.821.07	DECAL - RESIDUAL PRESSURE	1
17	09.821.09	DECAL - HOT SURFACE	1
18	09.821.10	DECAL - KEEP NUTS TIGHT	1
19	09.821.16	DECAL - KEEP OUT ZONE	1
20	09.821.20	DECAL - SHAFT ENTANGLEMENT	1
21	09.821.23	DECAL - PINCH POINT	1
22	09.845.01	DECAL - APPROVED OILS	1
23	09.846.01	DECAL - OIL FILTER CHANGE	1



ITEM 15 POSITIONED ON
SIDE OF SECOND ARM
AS INDICATED

ITEMS 18 & 21 ARE POSITIONED
ON OPPOSITE SIDE AS
INDICATED

REF	PART NO.	DESCRIPTION	QTY
71.924.01 DECALS B457 RH			
01	07.522.02	DECAL-BOMFORD B457	1
02	09.843.04	DECAL - LIFT POINT 750 KG	1
03	09.810.01	DECAL-GREASE (8 HOURS)	9
04	07.522.18	BOMFORD DECAL RH	1
72.272.01 DECALS			
05	07.522.14	DECAL - BOMFORD B397	1
74.912.01 ENGINEERING DECALS			
10	08.632.01	DECAL - TRANSPORT	1
11	09.030.01	DECAL - OIL FILTER	1
12	09.811.04	DECAL - MAX PTO SPEED 540 ACW	1
13	09.821.01	DECAL - READ INSTRUCTION BOOK	1
14	09.821.02	DECAL - STAY CLEAR O'HD CABLES	1
15	09.821.03	DECAL - DON'T STAND UNDER ARMS	1
16	09.821.07	DECAL - RESIDUAL PRESSURE	1
17	09.821.09	DECAL - HOT SURFACE	1
18	09.821.10	DECAL - KEEP NUTS TIGHT	1
19	09.821.16	DECAL - KEEP OUT ZONE	1
20	09.821.20	DECAL - SHAFT ENTANGLEMENT	1
21	09.821.23	DECAL - PINCH POINT	1
22	09.845.01	DECAL - APPROVED OILS	1
23	09.846.01	DECAL - OIL FILTER CHANGE	1