

PM 6005

KESTREL S
SPECIFIC TO: 90.184.10
ARM MOWER

PARTS MANUAL
ISSUE 1

IMPORTANT

NOTE HERE THE SERIAL NUMBER OF YOUR MACHINE AND ALWAYS QUOTE IT IN ANY COMMUNICATION WITH US OR YOUR DEALER. THIS IS PARTICULARLY IMPORTANT WHEN ORDERING SPARES. REMEMBER TO INCLUDE ALL NUMBERS AND LETTERS.

MACHINE SERIAL NUMBERS _____

THE INFORMATION GIVEN THROUGHOUT THIS MANUAL IS CORRECT AT THE TIME OF PUBLICATION. HOWEVER, IN THE COURSE OF CONSTANT DEVELOPMENT OF BOMFORD TURNER MACHINES, CHANGES IN SPECIFICATION ARE INEVITABLE. SHOULD YOU FIND THE INFORMATION GIVEN IN THIS BOOK TO BE AT VARIANCE WITH THE MACHINE IN YOUR POSSESSION, YOU ARE ADVISED TO CONTACT THE BOMFORD TURNER SERVICE DEPARTMENT WHERE UP-TO-DATE INFORMATION WILL BE PROVIDED.

THE MANUAL CAN CONTAIN STANDARD AND OPTIONAL FEATURES AND IS NOT TO BE USED AS A MACHINE SPECIFICATION.

THE MACHINE HAS BEEN TESTED AND IS CONSIDERED SAFE IF CAREFULLY USED ENSURE YOUR OPERATOR IS PROPERLY TRAINED IN ITS USE AND MAINTENANCE

IMPORTANT

NOTEZ ICI LES NUMEROS DE SERIE DE VOTRE MACHINE ET MENTIONNEZ LES DANS TOUTE COMMUNICATION AVEC NOS SERVICES OU VOTRE REVENDEUR. CECI EST IMPORTANT POUR LA COMMANDE DE PIECES DETACHEES. PENSEZ A NOTER TOUS LES NUMEROS ET TOUTES LES LETTERS.

NUMEROS DE SERIE DE LA MACHINE _____

LES INFORMATIONS DONNEES DANS CE MANUEL SONT CORRECTES CEPENDANT, DU FAIT DE DEVELOPPEMENT CONSTANT DES MACHINES BOMFORD TURNER.

CHANGEMENTS DANS LES CARACTERISTIQUES SONT INEVITABLES.

SI VOUS TROUVEZ QUE LES INFORMATIONS DONNEES NE CORRESPONDENT PAS A VOTRE MACHINE VEUILLEZ CONTACTER LE SERVICE DES REPARATIONS OU DES INFORMATIONS PLUS RECENTES VOUS SERONT DONNEES.

CE MANUEL PEUT MONTRER DES CARACTERISTIQUES OPTIONNELLES ET NE PEUT PAS ETRE CONSIDERE COMME SPECIFICATION DE LA MACHINE.

CETTE MACHINE A ETE TESTEE, ET ELLE EST CONSIDEREE COMME FIABLE A CONDITION D'UNE BONNE UTILISATION. ASSUREZ-VOUS QUE VOTRE OPERATEUR EST QUALIFIE EN CE QUI CONCERNE L'UTILISATION DE LA MACHINE AINSI QUE SON ENTRETIEN.

WICHTIG

TRAGEN SIE HIER DIE SERIENNUMMERN IHRER MASCHINE EIN UND GEBEN SIE DIESE IMMER AN, WENN SIE SICH AN UNS ODER IHREN HÄNDLER WENDEN. DAS IST BESONDERS BEI ERSATZTEILBESTELLUNGEN WICHTIG. VERGESSEN SIE NICHT, ALLE ZAHLEN UND BUCHSTABEN ZU NOTIEREN.

SERIENNUMMERN DER MASCHINE _____

DIE ANGABEN INDIESEM HANDBUCH SIND BEI VERÖFFENTLICHUNG KORREKT. AUFGRUND DER KONSTANTEN WEITERENTWICKLUNG VON BOMFORD TURNER MASCHINEN SIND JEDOCHÄNDERUGDEN IN DER SPEZIFIKATION UNVERMEIDLICH. WENN DIE INFORMATION IN DIESEM HANDBUCH NICHT MIT IHRER MASCHINE ÜBEREINSTIMMEN, NEHMEN SIE BITTE KONTAKT MIT DER BOMFORD TURNER KUNDENDIENSTABTEILUNG AUF, DIE IHNEN GERNE DIE AKTUELLEN INFORMATION ZUKOMMEN LÄSST.

DAS HANDBUCH KANN SOWOHL BESCHREIBUNGEN FÜR DIE STANDARD AUSFÜHRUNG ALS AUCH FÜR ZUBEHÖR ENTHALTEN UND IST NICHT ALS MASCHINENSPEZIFIKATION ZU VERWENDET.

DIE MASCHINE IST GETESTET UND BEI SACHGEMÄSSEM BETRIEB ALS SICHER BEFUNDEN WORDEN. SORGEN SIE DAFÜR, DASS IHR BEDIENPERSONAL IN ANWENDUNG UND WARTUNG RICHTIG GESCHULT WIRD.

INDEX

KESTREL S ARM MOWER

PLEASE ENSURE THE CORRECT PART NUMBER AND DESCRIPTION IS GIVEN
WHEN ORDERING SPARE PARTS.

For Machines with Serial Numbers commencing from.....

DESCRIPTION

THREE POINT LINKAGE KIT.....	76.458.02
MAINFRAME ASSEMBLY RH.....	77.433.07
TANK ASSEMBLY RH.....	76.382.13
FILTER ASSEMBLY.....	74.803.03
KINGPOST ASSEMBLY RH.....	77.301.10
ARM ASSEMBLY FIRST RH.....	77.353.04
ARM ASSEMBLY SECOND RH.....	77.354.04
COWL BRACKET ASSEMBLY.....	77.182.02
GEARBOX/PTO ASSEMBLY RH.....	77.472.02
PUMPS ASSEMBLY.....	77.473.01
PUMP CIRCUIT CABLE.....	77.470.04
VALVE ASSEMBLY CABLE.....	77.471.04
ACCUMULATOR – SLEW.....	77.117.01
RAM ASSEMBLY SLEW CABLE.....	77.111.02
RAM ASSEMBLT FIRST.....	77.104.01
RAM ASSEMBLY SECOND.....	76.390.01
RAM ASSEMBLY COWL CABLE.....	77.113.02
CABLE ASSEMBLY 5 LEVER RH.....	76.421.07
OIL COOLER ASSEMBLY RH.....	77.120.06
ARM FLOAT KIT.....	76.420.03
LIGHT KIT RH.....	77.134.04
HOSE LAYOUT.....	77.474.08
DECALS – ENGINEERING.....	77.138.01

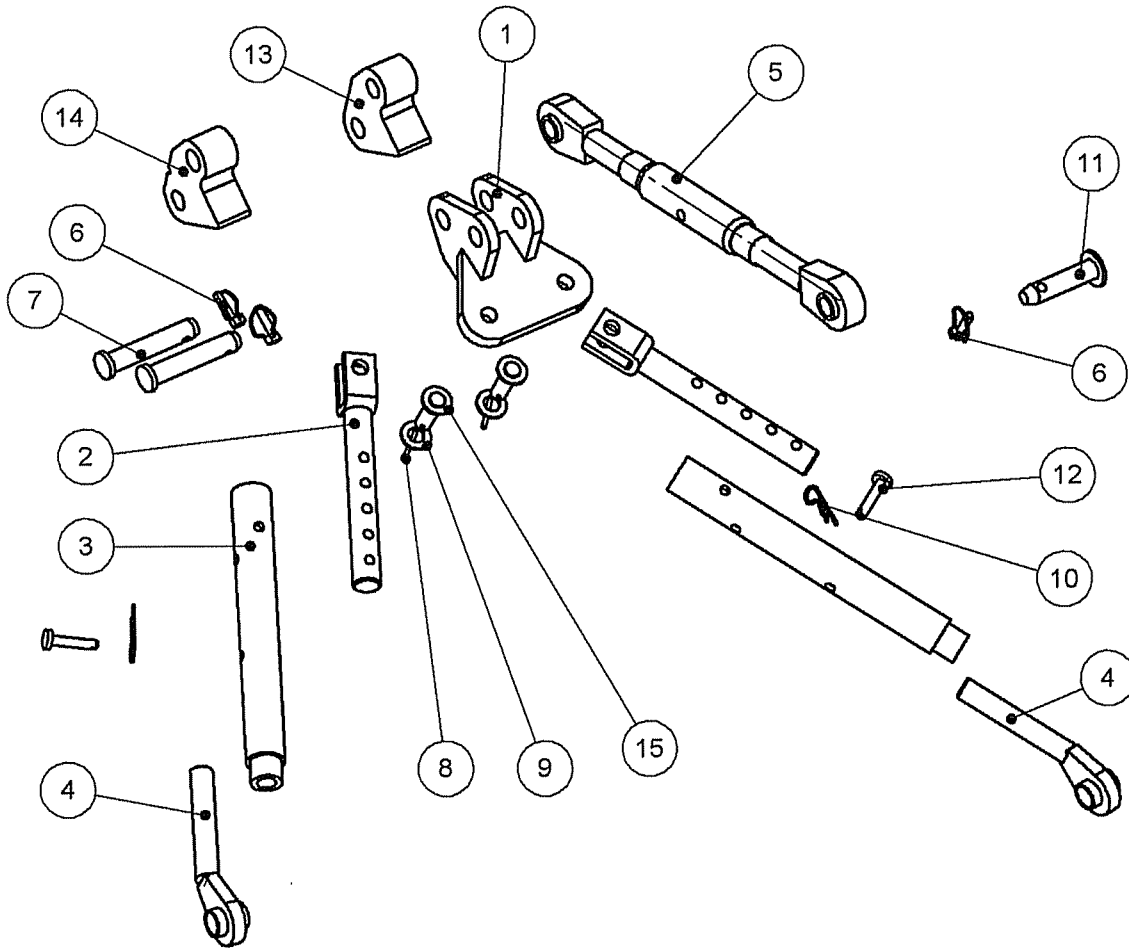
IMPORTANT

THIS MACHINE IS FOR VEGETATION CONTROL AND MUST NOT BE USED FOR ANY OTHER
PURPOSE.

IT IS POTENTIALLY HAZARDOUS TO FIT OR USE ANY OTHER PARTS OTHER THAN GENUINE
BOMFORD TURNER PARTS.

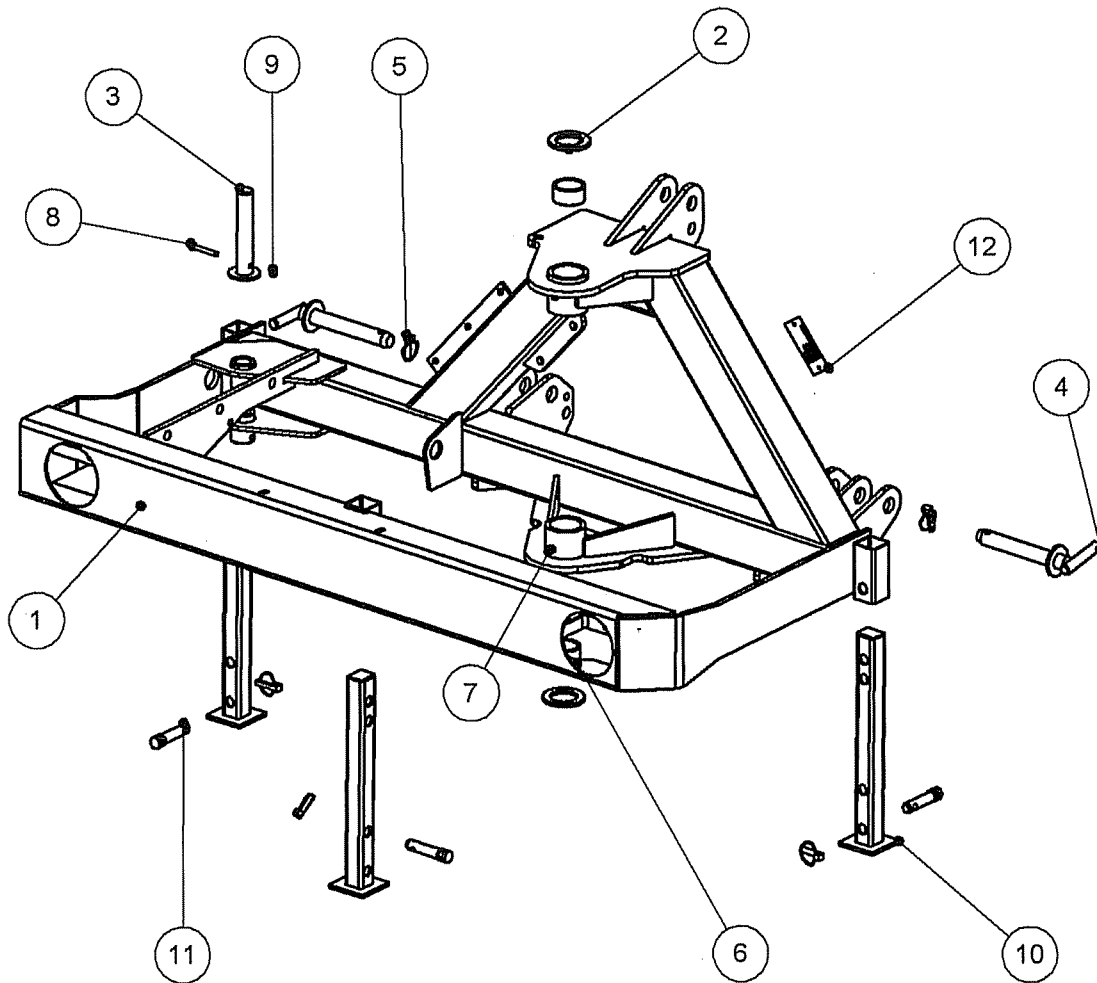
THE COMPANY DISCLAIMS ALL LIABILITY FOR THE CONSEQUENCES OF SUCH USE WHICH,
IN ADDITION, VOIDS THE MACHINE WARRANTY.

THREE POINT LINKAGE KIT 76.458.02



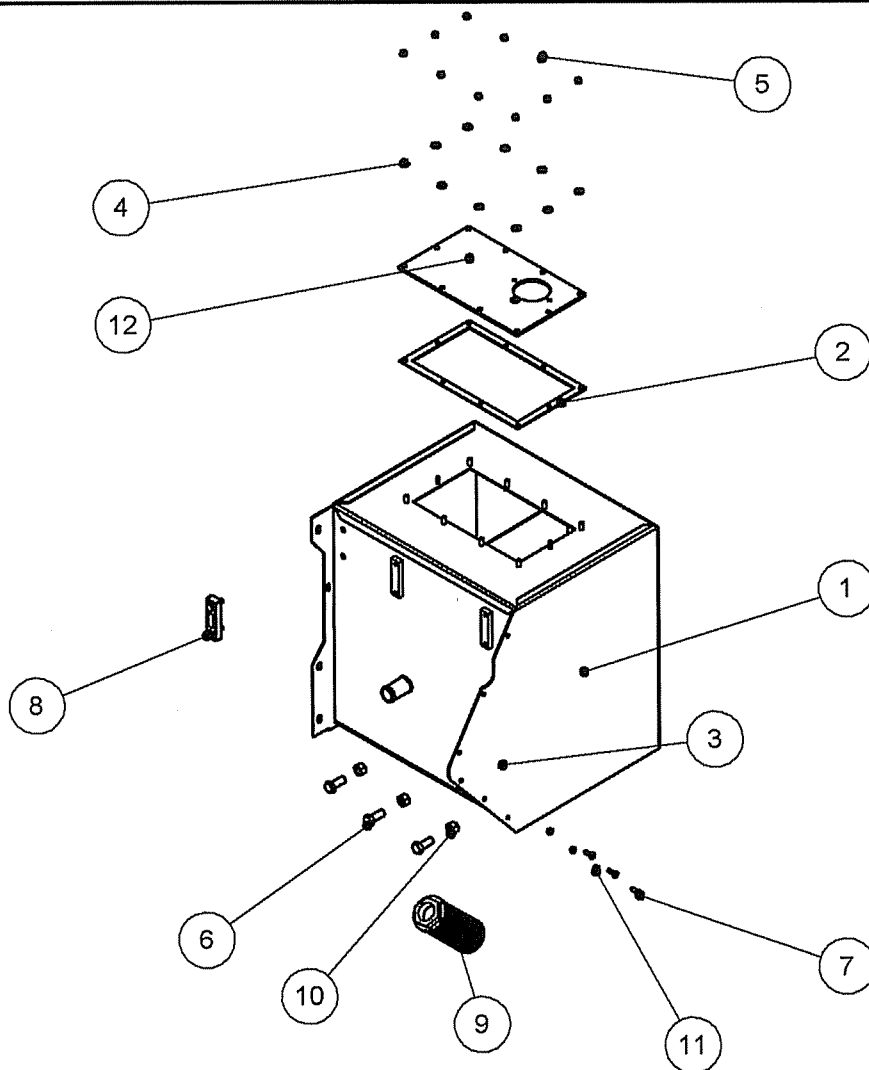
ITEM NO.	PART NUMBER	DESCRIPTION	QTY.
1	42276.01	BRACKET	1
2	42317.01	ROD INNER	2
3	42316.01	TUBE OUTER	2
4	07.731.01	BALL END	2
5	07.584.02	TOP LINK	1
6	00.372.01	LINCH PIN	3
7	03.873.01	PIN 1" DIA TOP LINK	2
8	05.201.11	TENSION PIN Ø5x45	2
9	05.281.05	FLAT WASHER M20	2
10	05.964.01	SPRING COTTER	2
11	42250.01	PIN - TOP LINK	1
12	42315.01	PIN	2
13	43367.01	PLATE - CAT 2	1
14	43368.01	PLATE 28 DIA PIN	1
15	03.652.12	PIN 20 DIA X 65	2

MAINFRAME ASSEMBLY RH - 77.443.07



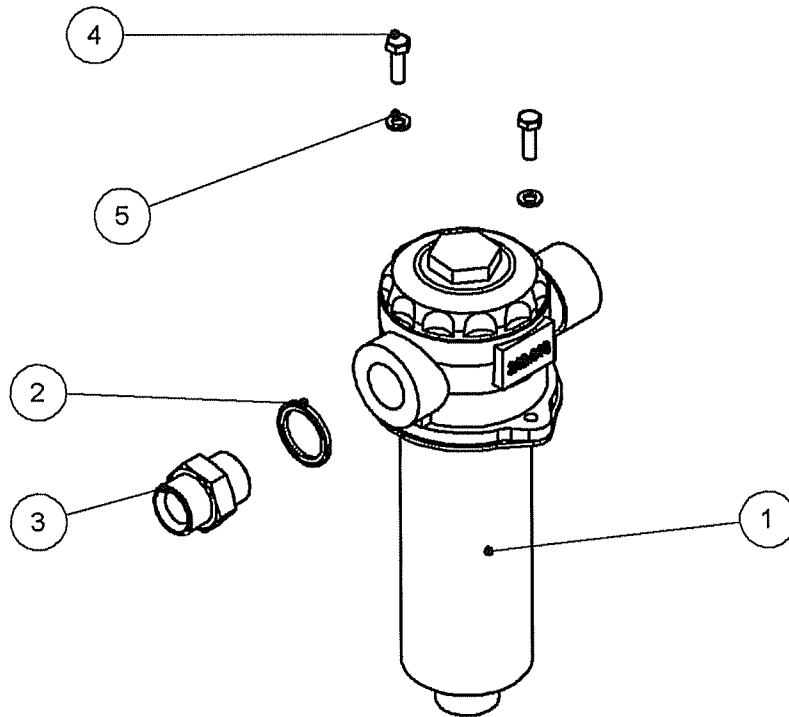
ITEM NO.	PART NUMBER	DESCRIPTION	QTY.
1	47635.04	MAINFRAME RH	1
2	09.918.01	THRUST WASHER	2
3	03.654.94	PIN 30 DIA X 166	1
4	07.574.01	PIN	2
5	00.372.01	LINCH PIN	5
6	08.297.13	BUSH 60X50X30	4
7	05.953.03	GREASE NIPPLE M10xStr	2
8	05.291.06	BOLT M8x55	1
9	05.287.01	SELF-LOCKING NUT M8	1
10	47704.01	STAND	3
11	T7528	PIN LINKAGE 3/4 BARE X 50	3
12	05.774.07	SERIAL PLATE	1

TANK ASSEMBLY RH - 76.382.13



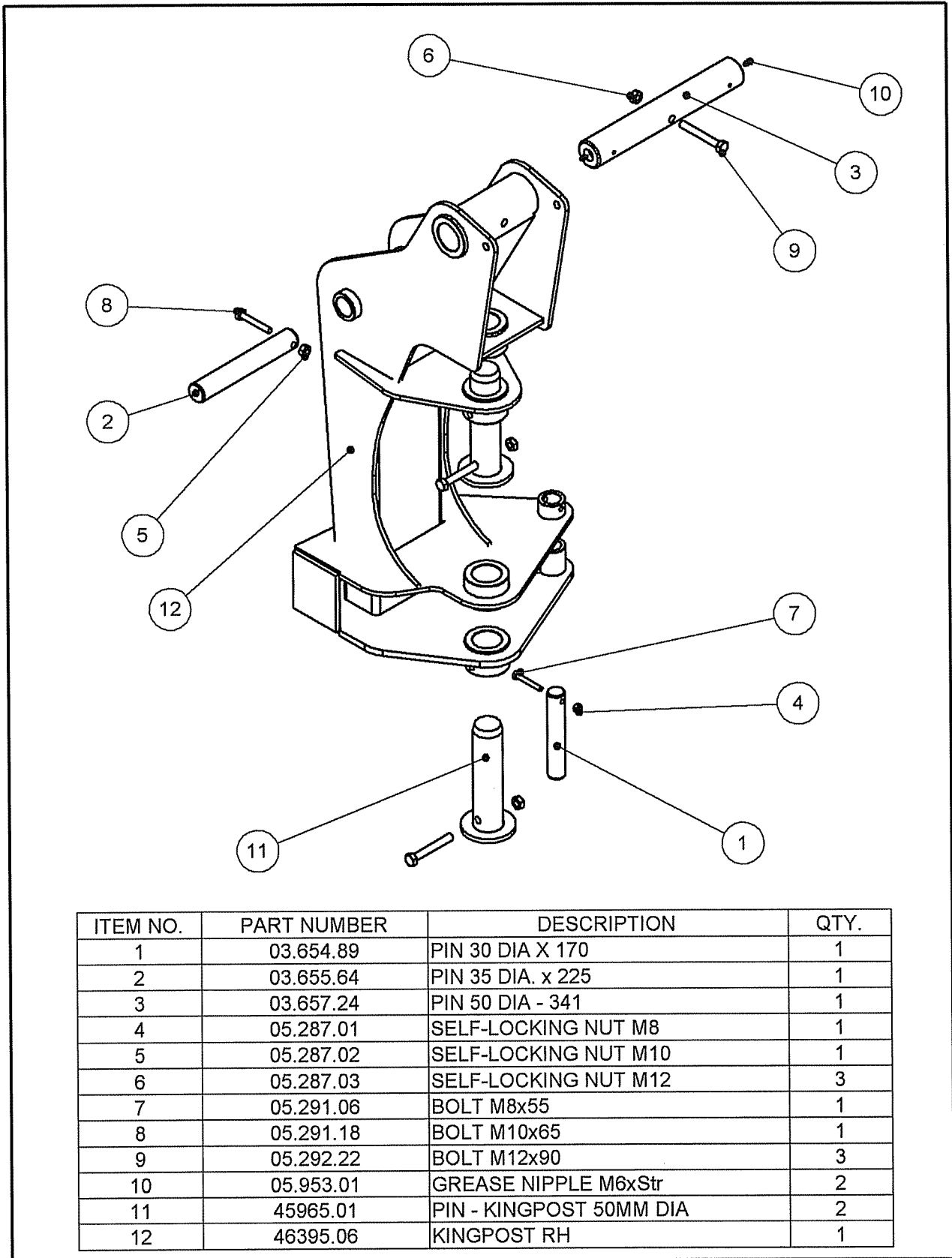
ITEM NO.	PART NUMBER	DESCRIPTION	QTY.
1	42112.10	TANK - OIL RH	1
2	08.605.01	GASKET	1
3	05.495.01	PLUG 1/2" BSPT	1
4	05.281.01	FLAT WASHER M8	10
5	05.286.01	NUT M8	10
6	05.264.35	SETSCREW M16x40	3
7	05.264.01	SETSCREW M8x20	3
8	08.921.01	FLUID LEVEL GAUGE	1
9	8401047	STRAINER	1
10	05.287.04	SELF-LOCKING NUT M16	3
11	05.287.01	SELF-LOCKING NUT M8	3
12	212.029	PLATE	1

FILTER ASSEMBLY - 74.803.03



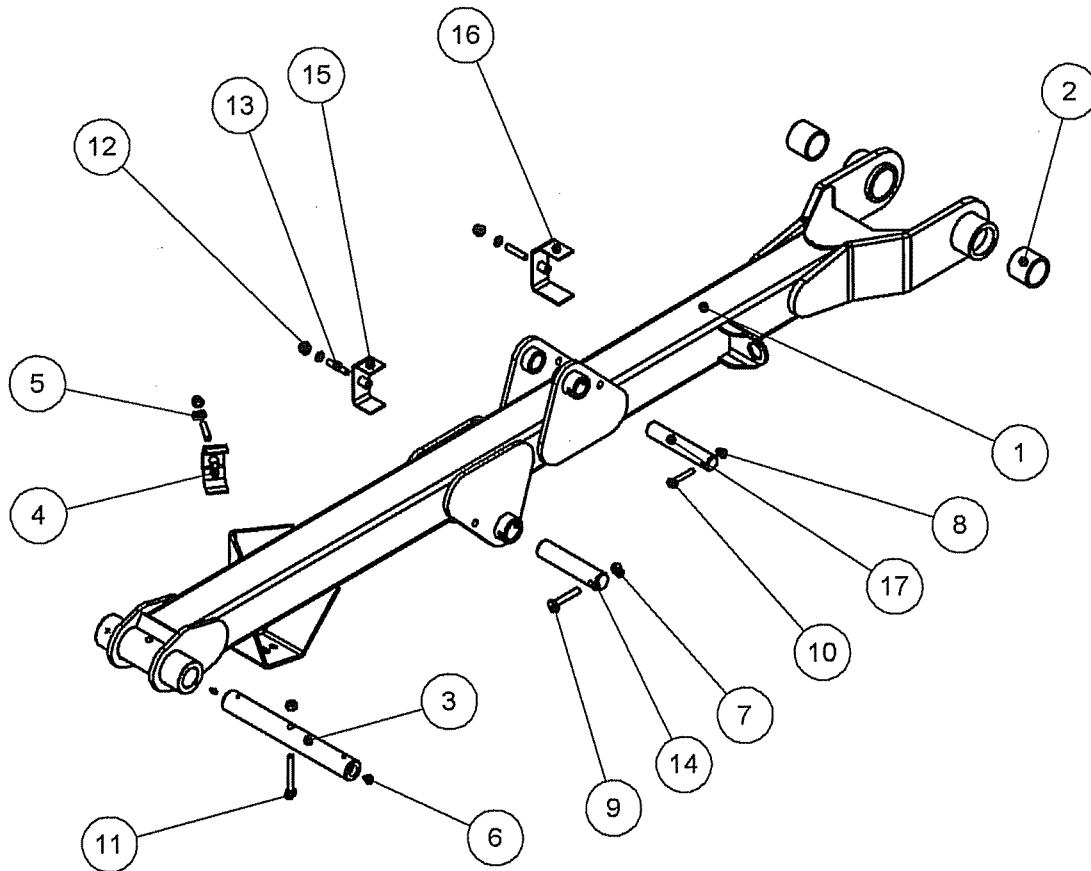
ITEM NO.	PART NUMBER	DESCRIPTION	QTY.
1	212.013	FILTER ASSY 100L	1
2	05.290.07	BONDED SEAL 1" BSP	1
3	05.434.01	ADAPTOR 1"BSPx1"BSP	1
4	05.264.02	SETSCREW M8x25	2
5	05.282.01	SPRING WASHER M8	2

KINGPOST ASSEMBLY RH - 77.301.10



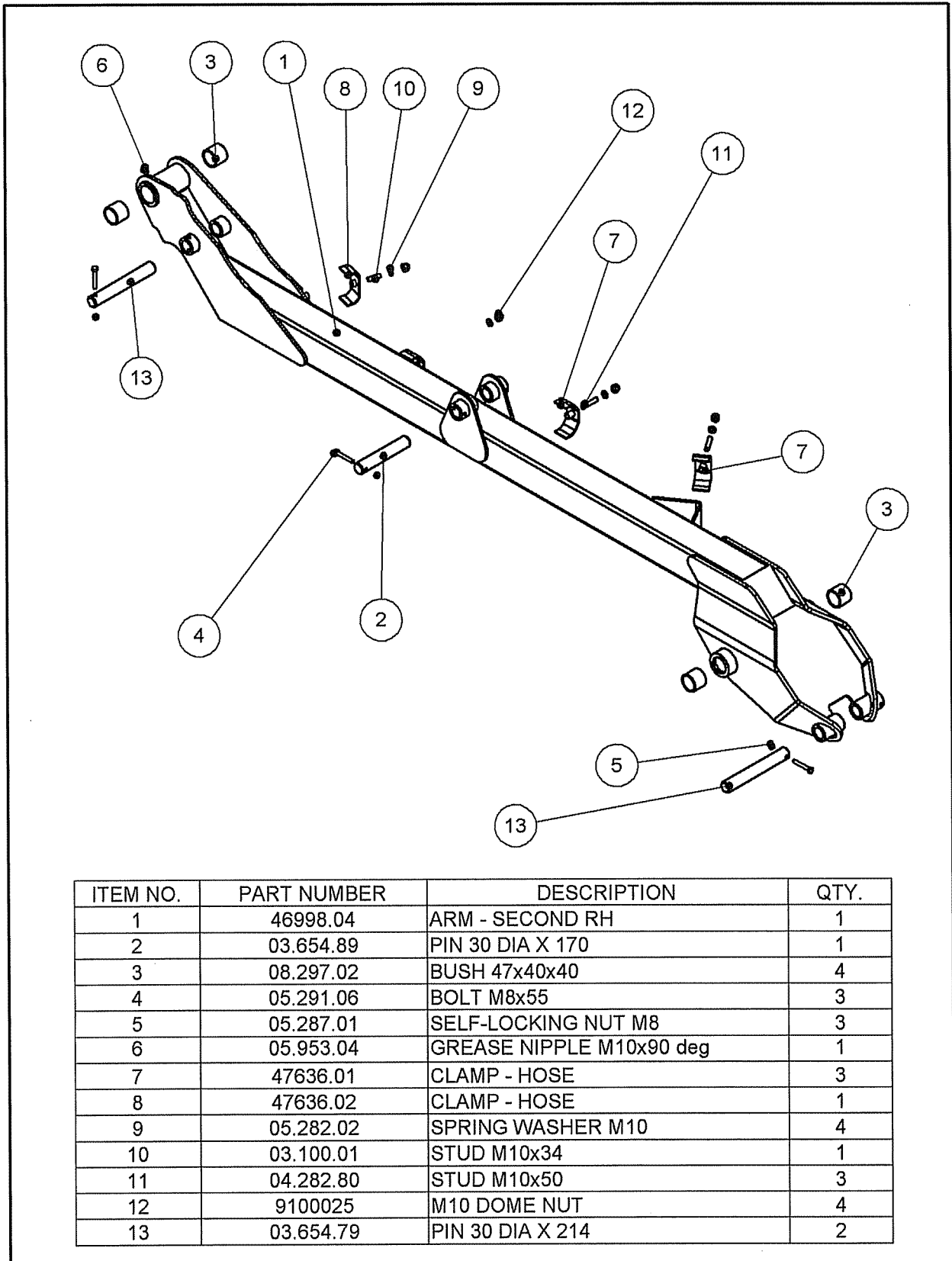
ITEM NO.	PART NUMBER	DESCRIPTION	QTY.
1	03.654.89	PIN 30 DIA X 170	1
2	03.655.64	PIN 35 DIA. x 225	1
3	03.657.24	PIN 50 DIA - 341	1
4	05.287.01	SELF-LOCKING NUT M8	1
5	05.287.02	SELF-LOCKING NUT M10	1
6	05.287.03	SELF-LOCKING NUT M12	3
7	05.291.06	BOLT M8x55	1
8	05.291.18	BOLT M10x65	1
9	05.292.22	BOLT M12x90	3
10	05.953.01	GREASE NIPPLE M6xStr	2
11	45965.01	PIN - KINGPOST 50MM DIA	2
12	46395.06	KINGPOST RH	1

ARM ASSY FIRST RH - 77.353.04

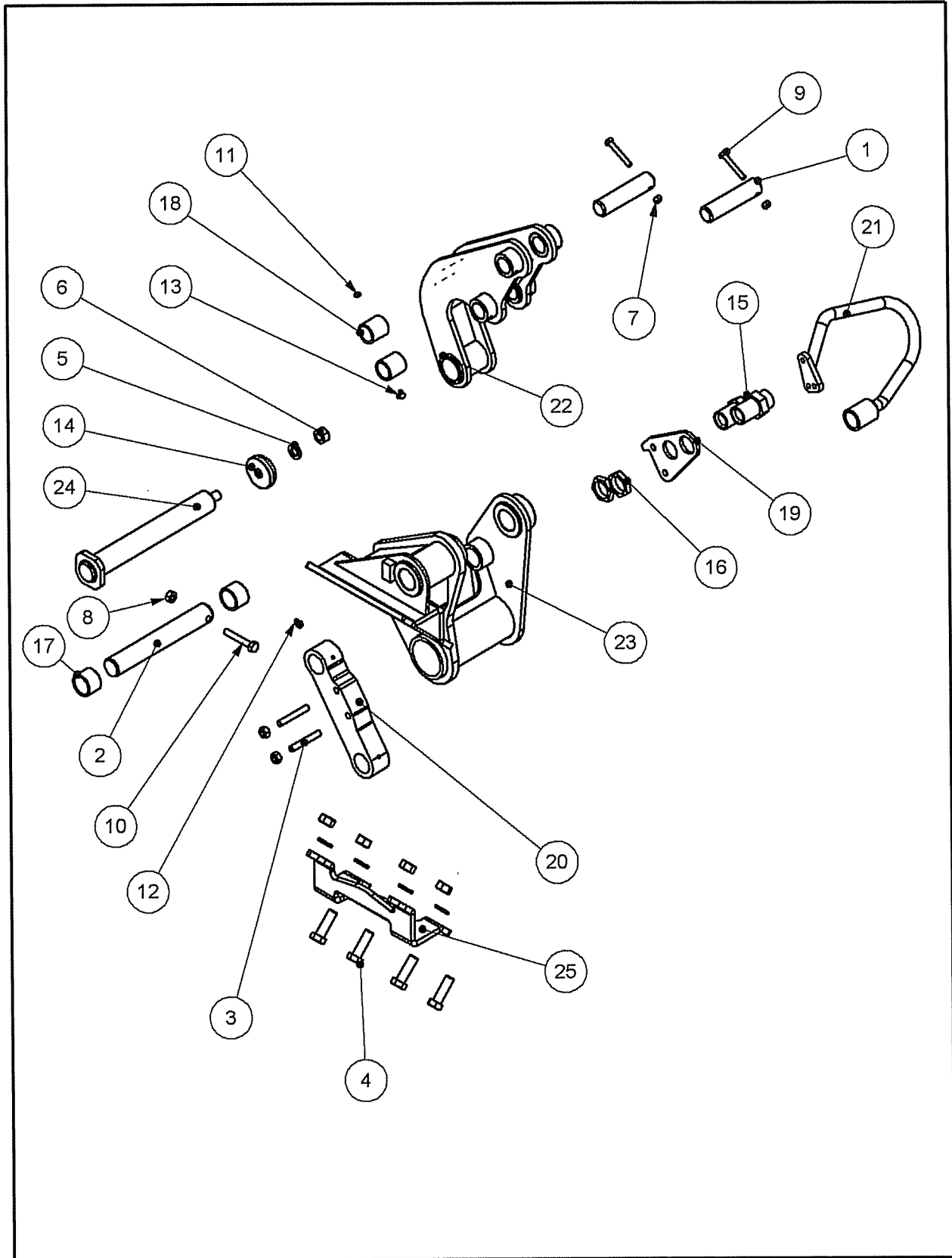


ITEM NO.	PART NUMBER	DESCRIPTION	QTY.
1	46997.04	ARM - SECOND RH	1
2	08.297.01	BUSH 60x50x50	2
3	43292.02	PIN Ø40 -328 LONG	1
4	47636.01	CLAMP - HOSE	1
5	05.282.02	SPRING WASHER M10	3
6	05.953.01	GREASE NIPPLE M6xStr	2
7	05.287.02	SELF-LOCKING NUT M10	2
8	05.287.01	SELF-LOCKING NUT M8	1
9	05.291.18	BOLT M10x65	1
10	05.291.06	BOLT M8x55	1
11	05.292.11	BOLT M10x80	1
12	9100025	M10 DOME NUT	3
13	04.282.80	STUD M10x50	3
14	03.655.25	PIN 35 DIA. x 158	1
15	47636.04	CLAMP - HOSE	1
16	47636.06	CLAMP - HOSE	1
17	03.654.60	PIN 30 DIA X 164	1

ARM ASSY SECOND RH - 77.354.04



COWL BRKT ASSY RH - 77.182.02

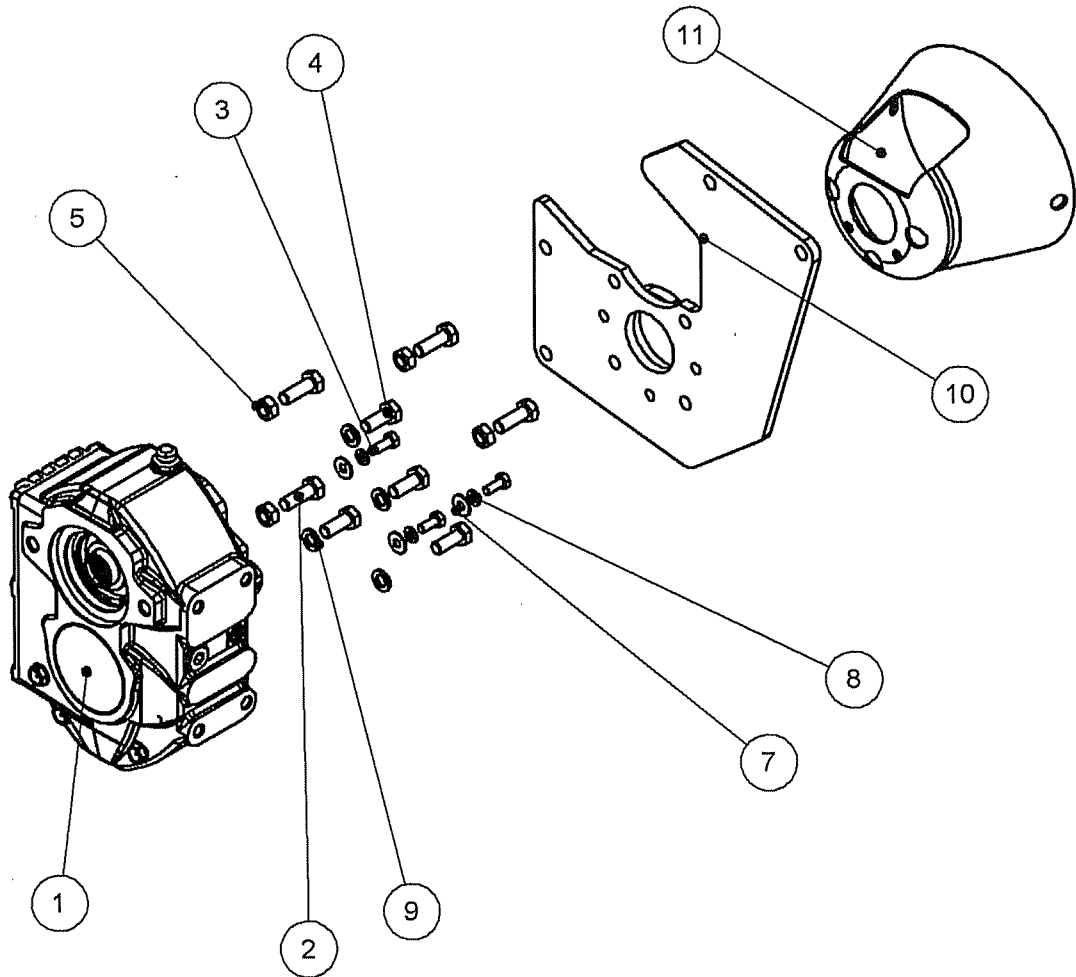


COWL BRKT ASSY RH - 77.182.02

COWL BRACKET ASSY RH HAWK - 77.182.02

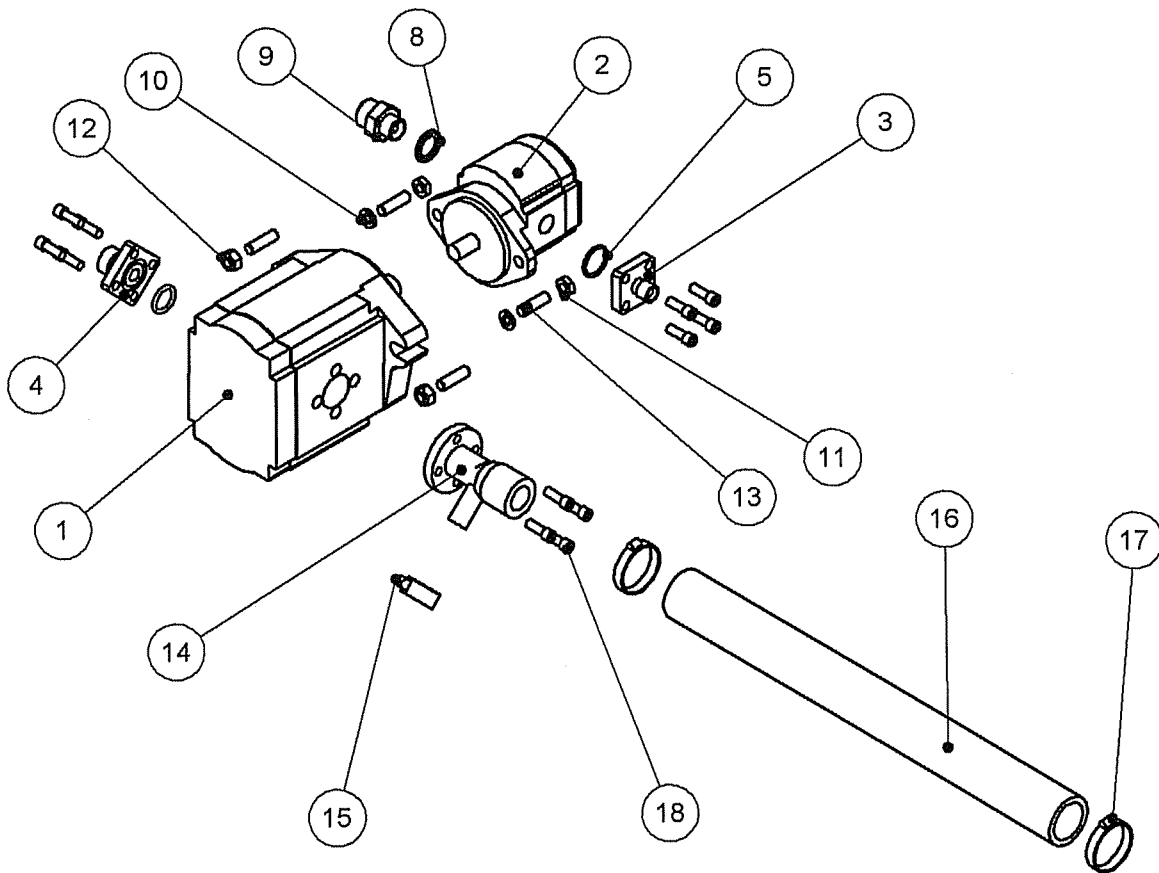
ITEM NO.	PART NUMBER	DESCRIPTION	QTY.
1	03.654.59	PIN 30 DIA X 128	2
2	03.655.63	PIN - 35 DIA. x 240	1
3	04.282.76	STUD M10X70	2
4	05.264.37	SETSCREW M16x50	4
5	05.282.04	SPRING WASHER M16	5
6	05.286.04	NUT M16	5
7	05.287.01	SELF-LOCKING NUT M8	2
8	05.287.02	SELF-LOCKING NUT M10	3
9	05.291.06	BOLT M8x55	2
10	05.291.18	BOLT M10x65	1
11	05.953.01	GREASE NIPPLE M6xStr	1
12	05.953.03	GREASE NIPPLE M10xStr	1
13	05.953.05	GREASE NIPPLE M6x90 deg	1
14	07.942.03	SPECIAL WASHER - M16	1
15	08.128.03-32		2
16	08.128.03-31	NUT 1" BSP THIN	2
17	08.297.05	BUSH 42x35x30	2
18	08.297.10	BUSH 37x30x40	2
19	45491.01	PLATE	1
20	45950.01	LINK - COWL	1
21	45954.01	GUARD - BULKHEAD	1
22	46090.01	LINK - COWL	1
23	46250.02	BRACKET - COWL RH	1
24	46251.01	PIN COWL PIVOT 40 DIA.	1
25	46273.01	CLAMPING PLATE	1

GEARBOX /PTO ASSEMBLY RH - 77.472.02



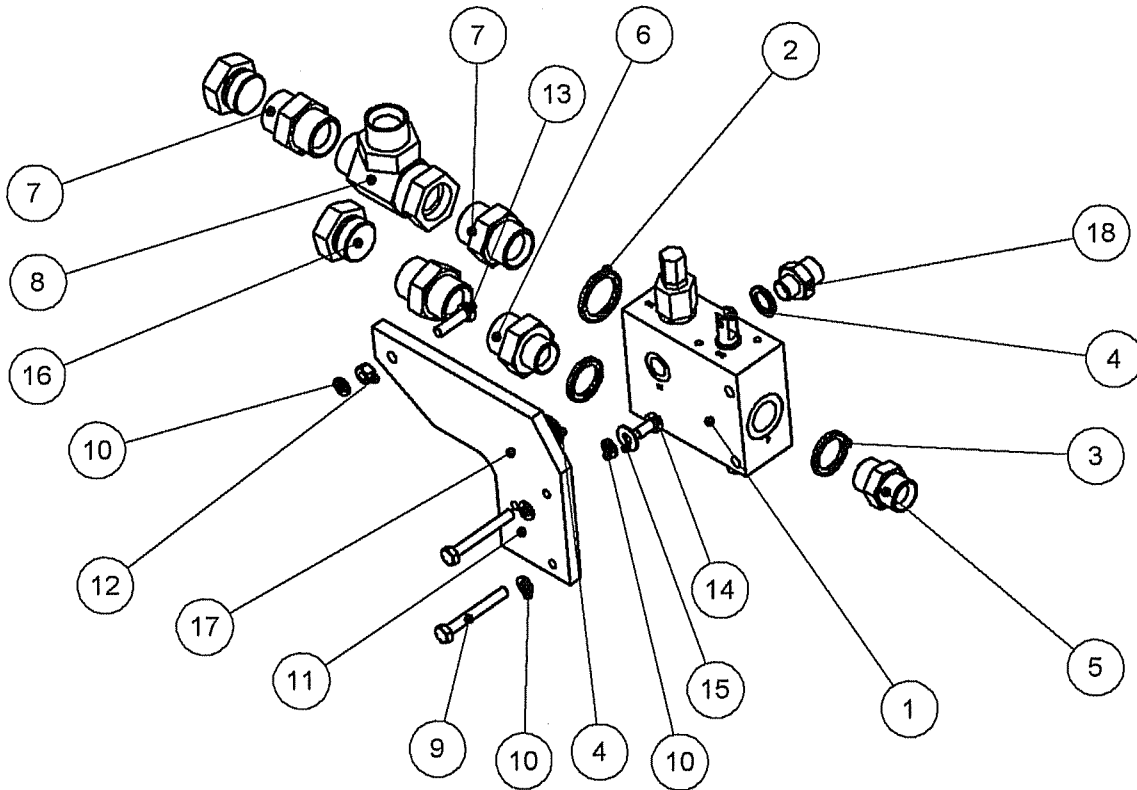
ITEM NO.	PART NUMBER	DESCRIPTION	QTY.
1	47487.04	GEARBOX 3.6 : 1	1
2	05.264.24	SETSCREW M12x35	4
3	05.264.01	SETSCREW M8x20	3
4	05.264.23	SETSCREW M12x30	4
5	05.287.03	SELF-LOCKING NUT M12	4
6	41624.01	PTO (560CC) T50 SERIES	1
7	05.281.01	FLAT WASHER M8	3
8	05.282.01	SPRING WASHER M8	3
9	05.282.03	SPRING WASHER M12	4
10	47492.02	GEARBOX MTG PLATE	1
11	08.548.03	PLASTIC PTO CUP	1

PUMPS ASSEMBLY - 77.473.01



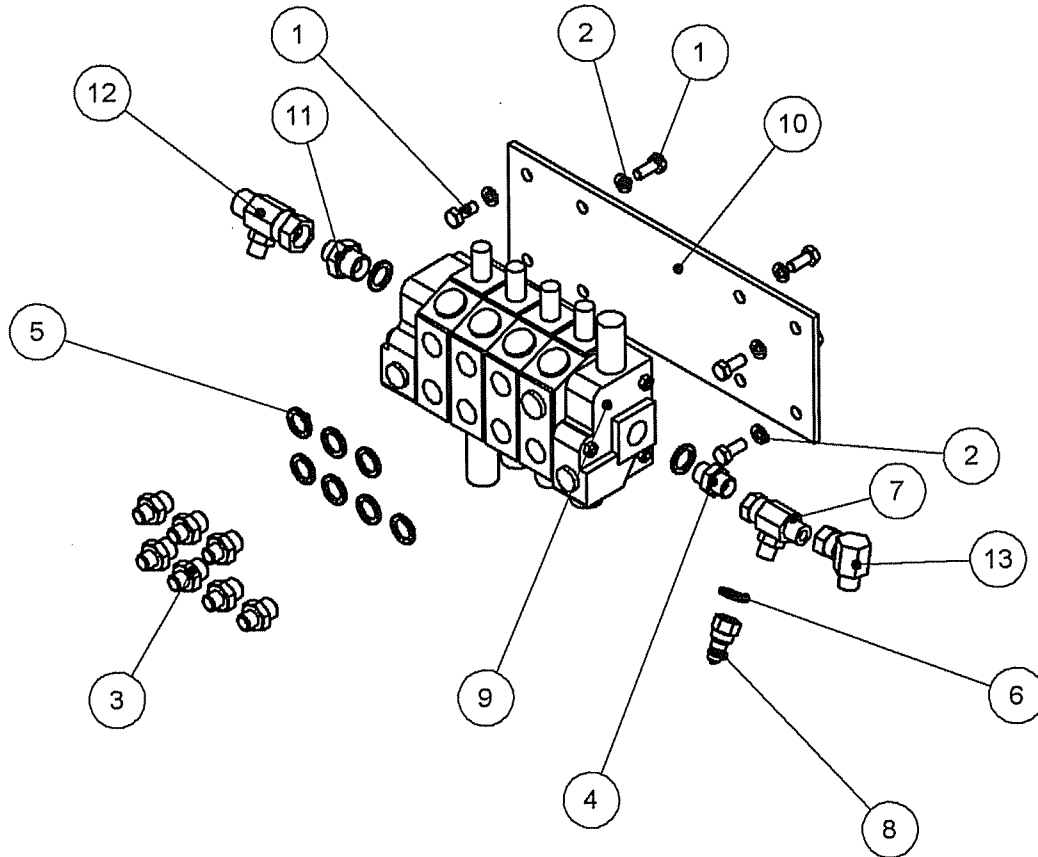
ITEM NO.	PART NUMBER	DESCRIPTION	QTY.
1	05.650.05	PUMP 333.9111.244	1
2	09.537.21	PUMP GEAR 1PX070	1
3	09.745.01	ADAPTOR FLANGE 3/8"	1
4	03.864.01	03.864.01	1
5	30.210.92	O RING 200 121 4490	1
6	05.656.01	O RING 28 I/D X 2.5	1
7	05.656.03	O RING 25 I/D X 3.53	1
8	05.290.05	BONDED SEAL 1/2" BSP	1
9	05.376.01	ADAPTOR 1/2"BSPx3/4"BSP	1
10	05.282.02	SPRING WASHER M10	2
11	9133005	NUT M10	2
12	05.287.02	SELF-LOCKING NUT M10	2
13	03.100.01	STUD M10x34	4
14	06.251.01	ADAPTER INLET	1
15	05.863.03	JUBILEE CLIP 20-32 DIA	1
16	10.024.17	HOSE 1.1/2" PLAIN 500	1
17	47603.01	CLAMP - MIKALOR	2
18	05.657.01	SOCKET CAPSCREW 5/16" X 7/8	12

PUMP CIRCUIT CABLE - 77.470.04



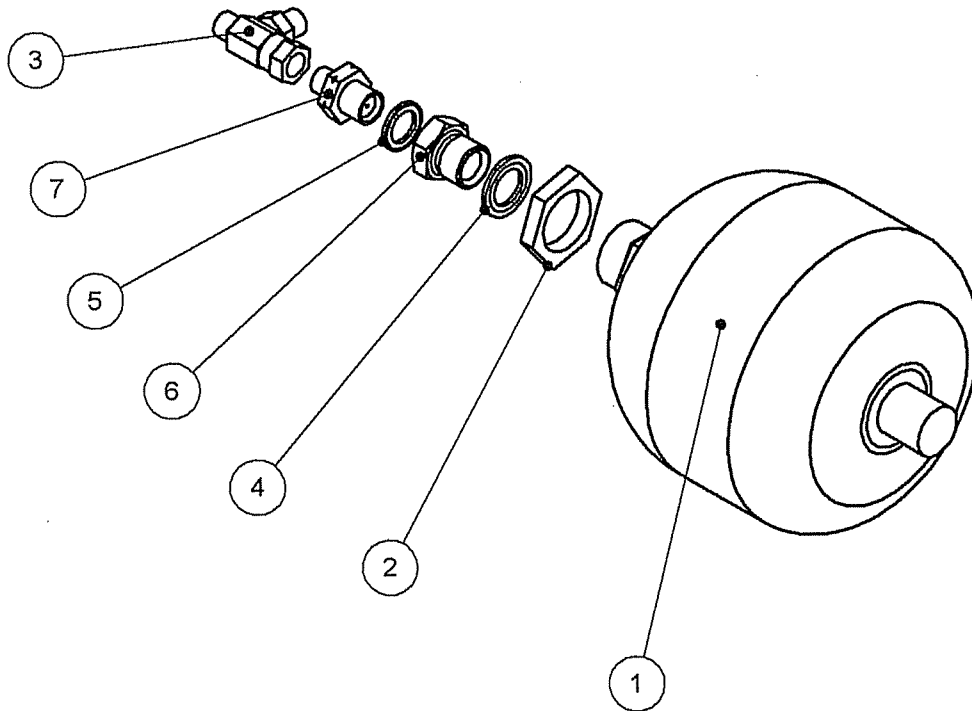
ITEM NO.	PART NUMBER	DESCRIPTION	QTY
1	06.284.16	DIVERTOR / RELIEF ASSY 209 BAR	1
2	05.290.07	BONDED SEAL 1" BSP	1
3	05.290.06	BONDED SEAL 3/4" BSP	2
4	05.290.04	BONDED SEAL 3/8" BSP	2
5	05.377.01	ADAPTOR 3/4"BSPx3/4"BSP	1
6	05.373.01	ADAPTOR 3/4"BSPx1"BSP	1
7	05.434.01	ADAPTOR 1"BSPx1"BSP	3
8	04.056.02	TEE ADAPTOR FMM	1
9	05.291.08	BOLT M8x65	2
10	05.282.01	SPRING WASHER M8	4
11	47695.01	PLATE - VALVE MTG	1
12	05.286.01	NUT M8	1
13	05.264.03	SETSCREW M8x30	1
14	05.839.03	SETSCREW M8X16	1
15	05.281.01	FLAT WASHER M8	1
16	05.433.03	PLUG 1" BSP	2
17	05.433.01	PLUG 3/8"BSP	1
18	05.123.01	ADAPTOR 3/8"BSPx1/2"BSP	1

VALVE ASSEMBLY CABLE - 77.471.04



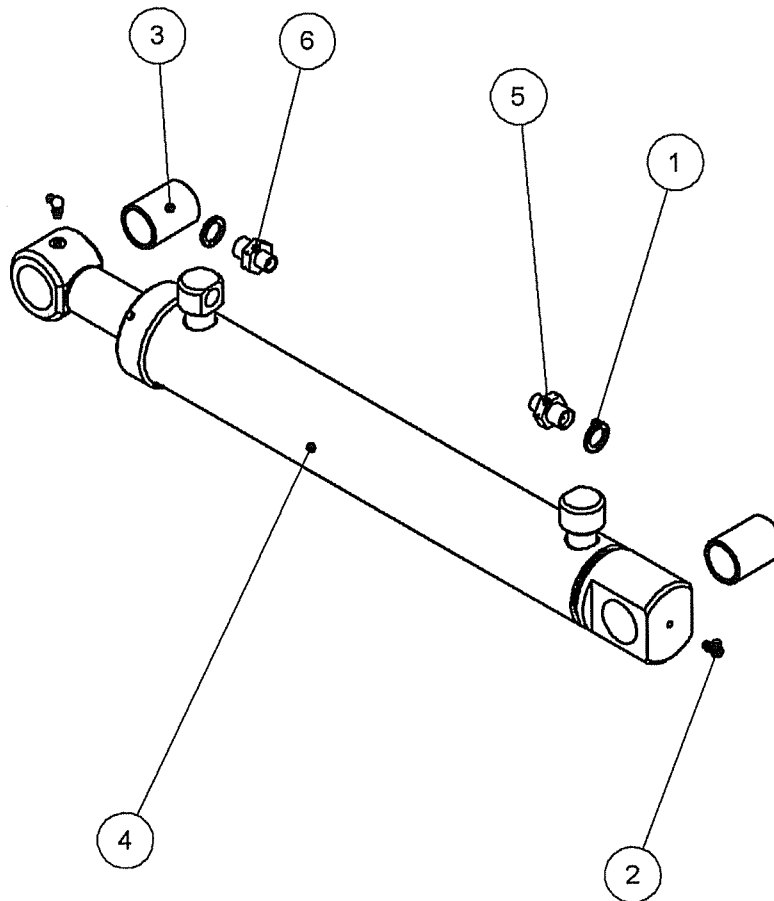
ITEM NO.	PART NUMBER	DESCRIPTION	QTY.
1	05.264.01	SETSCREW M8x20	8
2	05.282.01	SPRING WASHER M8	8
3	01.099.01	ADAPTOR 1/4"BSPx3/8"BSP	7
4	05.124.01	ADAPTOR 3/8"BSPx3/8"BSP	1
5	05.290.04	BONDED SEAL 3/8" BSP	9
6	05.290.02	BONDED SEAL 1/4" BSP	1
7	04.056.16	TEE ADAPTOR FMM	1
8	05.146.12	COUPLING - QUIK 1/4	1
9	47745.01	VALVE SD6 4 SECTION	1
10	48027.01	PLATE - VALVE MTG	1
11	05.123.01	ADAPTOR 3/8"BSPx1/2"BSP	1
12	04.056.25	TEE ADAPTOR FMM	1
13	05.835.01	90 ADAPTOR M/F SWIVEL	1

ACCUMULATOR - SLEW A - 77.117.01



ITEM NO.	PART NUMBER	DESCRIPTION	QTY.
1	8126043	ACCUMULATOR 1.4LT - 90 BAR	1
2	8126035	NUT	1
3	04.056.10	TEE ADAPTOR FMM	1
4	05.290.00	BONDED SEAL 1/2" BSP	1
5	05.290.04	BONDED SEAL 3/8" BSP	1
6	8581284	ADAPTOR - M22X3/8BSP MF	1
7	46518.08	RESTRICTOR	1

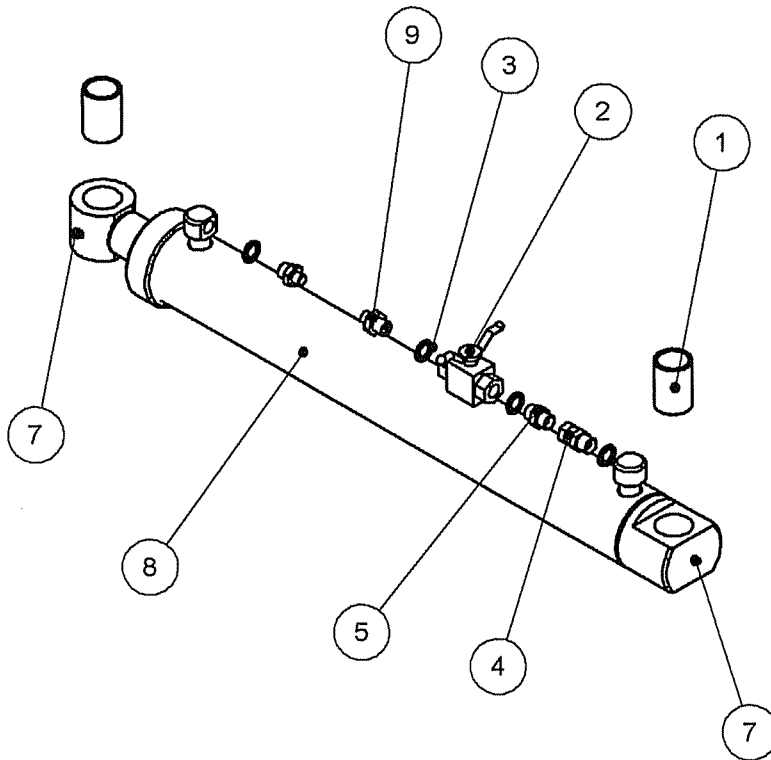
RAM ASSY SLEW CABLE - 77.111.02



* SEAL KIT PART NO. - 45942.25

ITEM NO.	PART NUMBER	DESCRIPTION	QTY.
1	05.290.04	BONDED SEAL 3/8" BSP	2
2	05.953.05	GREASE NIPPLE M6x90 deg	2
3	08.297.14	BUSH 37X30X50	2
4	45942.01	RAM ASSY 60 BORE X 340 STK	1
5	46518.08	RESTRICTOR	1
6	46518.14	RESTRICTOR	1

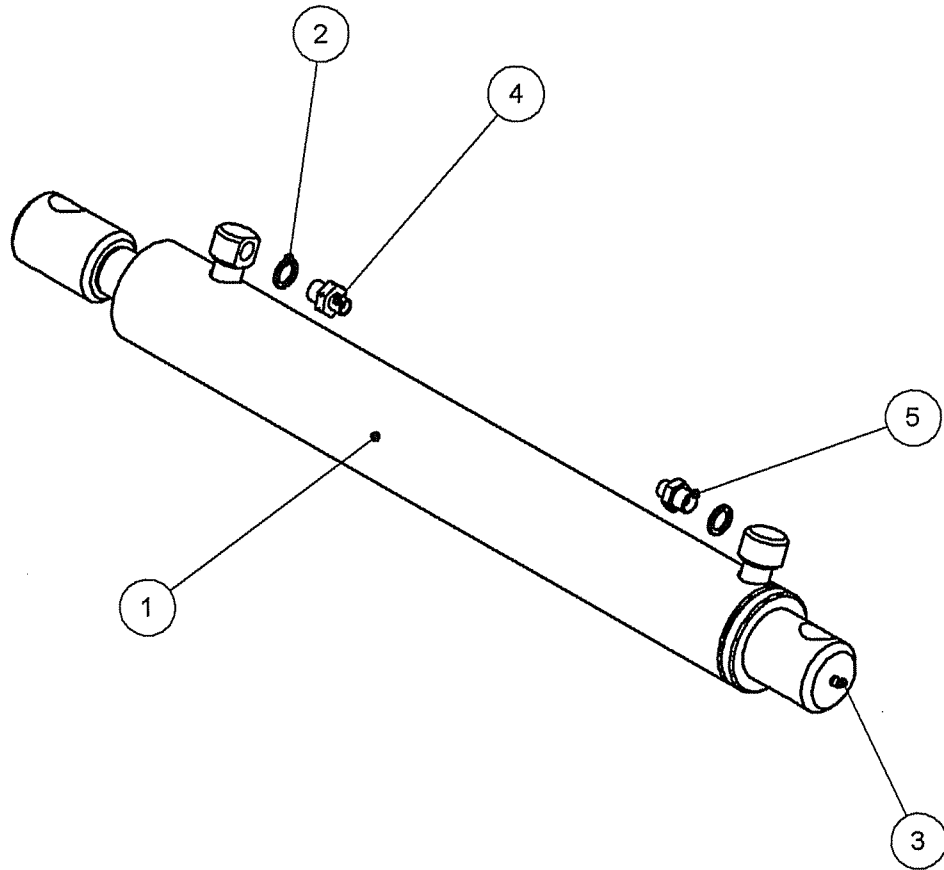
RAM ASSY - FIRST 885 - 77.104.01



SEAL KIT - PART NO 46002.26

ITEM NO.	PART NUMBER	DESCRIPTION	QTY.
1	08.297.08	BUSH 42x35x60	2
2	08.200.01	VALVE - ISOLATING	1
3	05.290.04	BONDED SEAL 3/8" BSP	4
4	02.714.01	ADAPTOR - SWIVEL	1
5	05.124.01	ADAPTOR 3/8"BSPx3/8"BSP	1
6	01.099.01	ADAPTOR 1/4"BSPx3/8"BSP	1
7	05.953.01	GREASE NIPPLE M6xStr	2
8	46002.04	RAM ASSY D/A 80 BORE X 615 STK	1
9	46518.12	RESTRICTOR	1

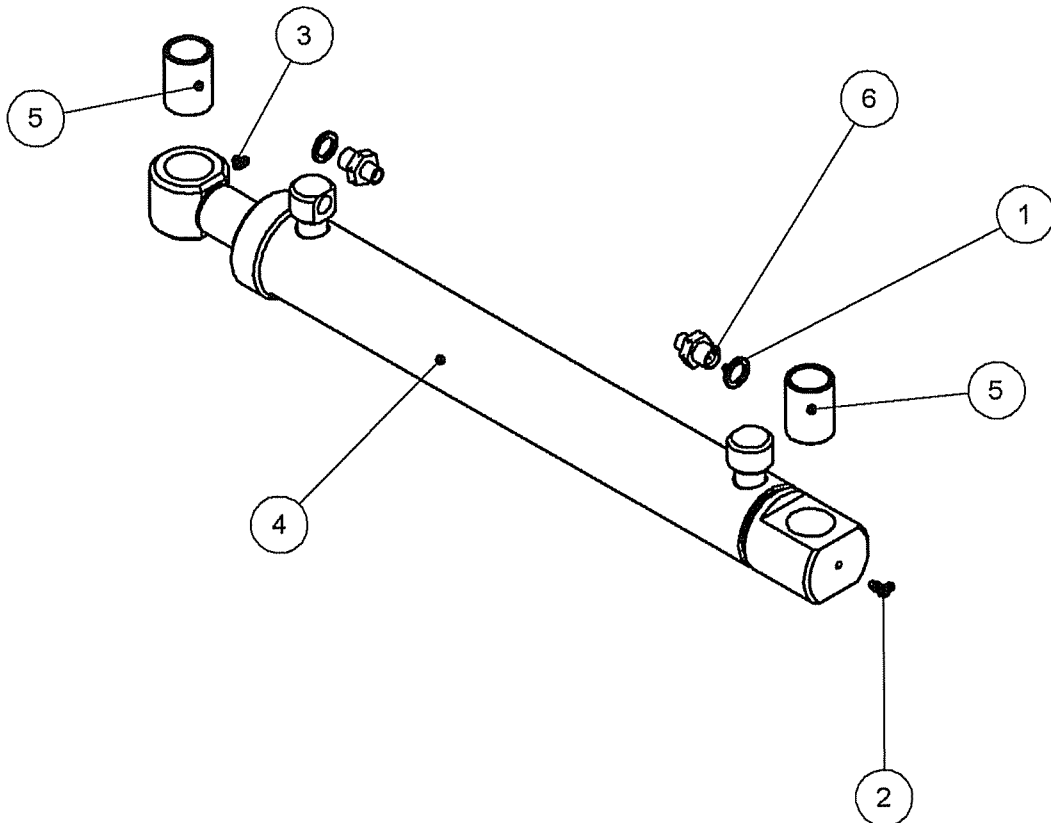
RAM ASSY SECOND - 76.390.01



SEAL KIT - PART NO 09.982.25

ITEM NO.	PART NUMBER	DESCRIPTION	QTY.
1	41.099.04	RAM ASSY D/A 75 BORE X 430 STK	1
2	05.290.04	BONDED SEAL 3/8" BSP	2
3	05.953.01	GREASE NIPPLE M6xStr	2
4	46518.08	RESTRICTOR	1
5	01.099.01	ADAPTOR 1/4"BSPx3/8"BSP	1

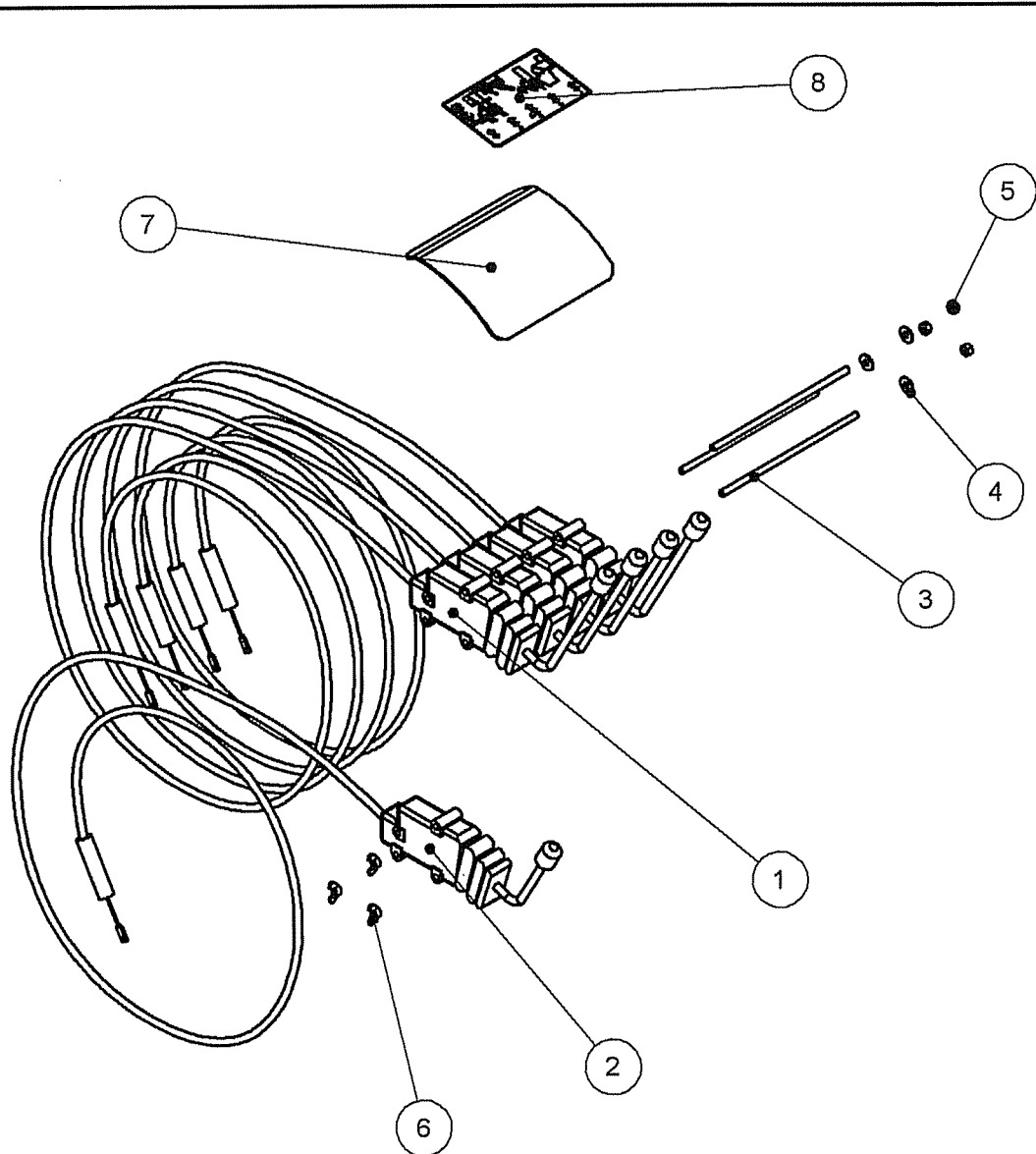
RAM ASSY COWL CABLE - 77.113.02



* SEAL KIT PART NO. - 45990.26

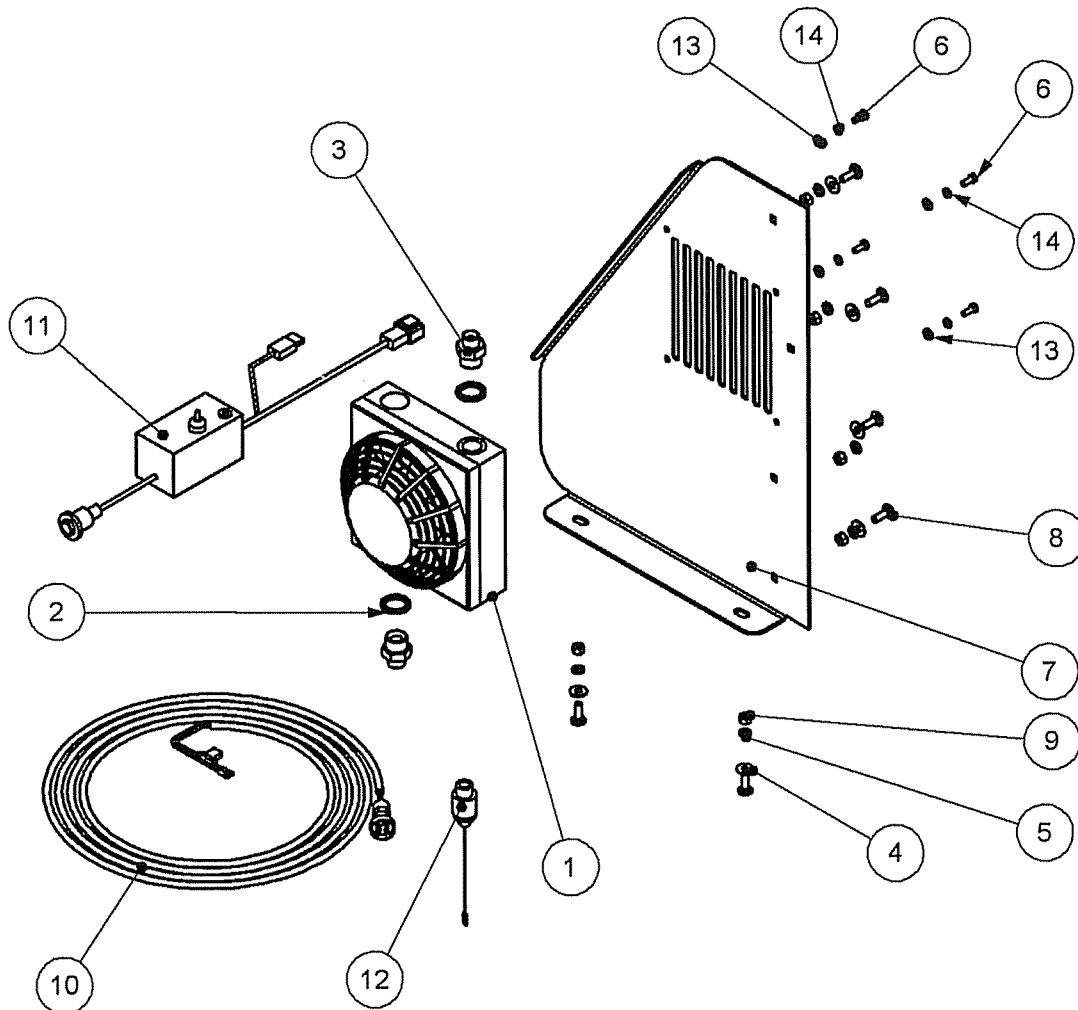
ITEM NO.	PART NUMBER	DESCRIPTION	QTY.
1	05.290.04	BONDED SEAL 3/8" BSP	2
2	05.953.05	GREASE NIPPLE M6x90 deg	1
3	05.953.01	GREASE NIPPLE M6xStr	1
4	45990.01	RAM ASSY - D/A 60 BOREX430STR	1
5	08.297.14	BUSH 37X30X50	2
6	46518.08	RESTRICTOR	2

CABLE ASSEMBLY 5 LEVER RH - 76.421.07



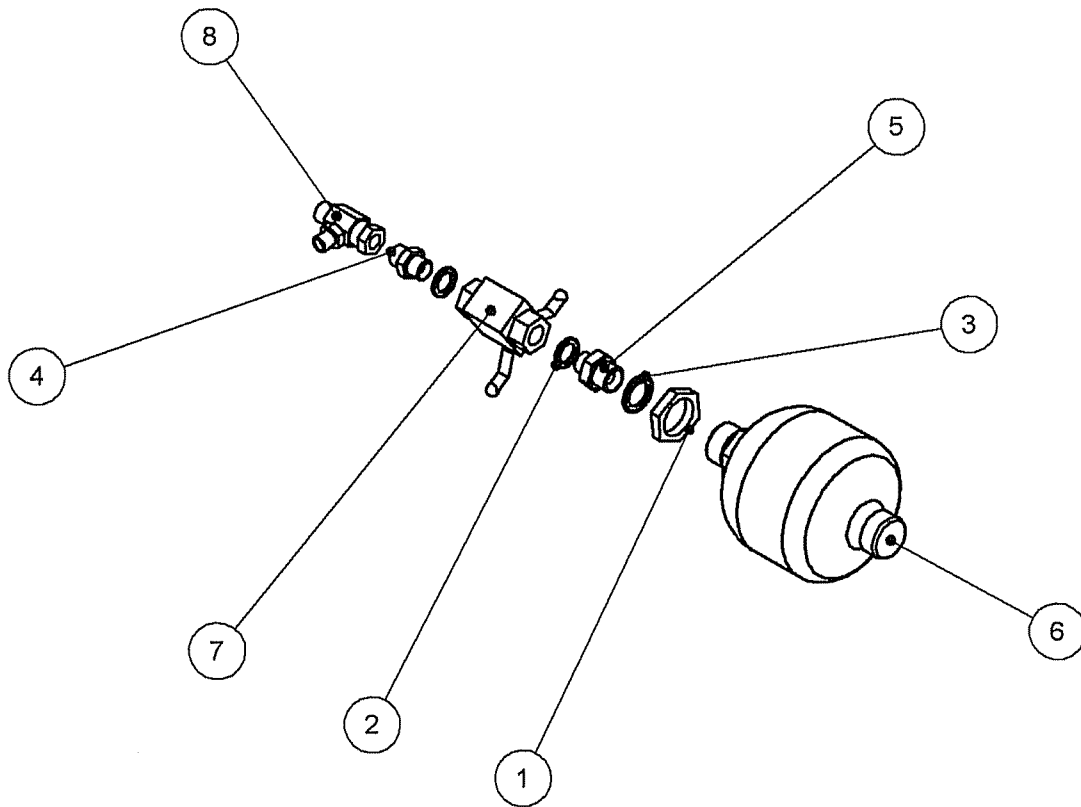
ITEM NO.	PART NUMBER	DESCRIPTION	QTY.
1	04.265.96	R.C. ASSY 3.0M LONG BLACK	4
2	04.265.75	R.C. ASSY 3.0M SHT RED DIV FK	1
3	04.282.43	STUD M8 X240	3
4	05.281.01	FLAT WASHER M8	3
5	05.286.01	NUT M8	3
6	05.948.07	WING NUT M8	3
7	42256.03	ARM REST 4 BOWDEN CABLES	1
8	09.916.02	DECAL - LEVER OP. 5 LEVER RH	1

OIL COOLER ASSEMBLY RH - 77.120.06



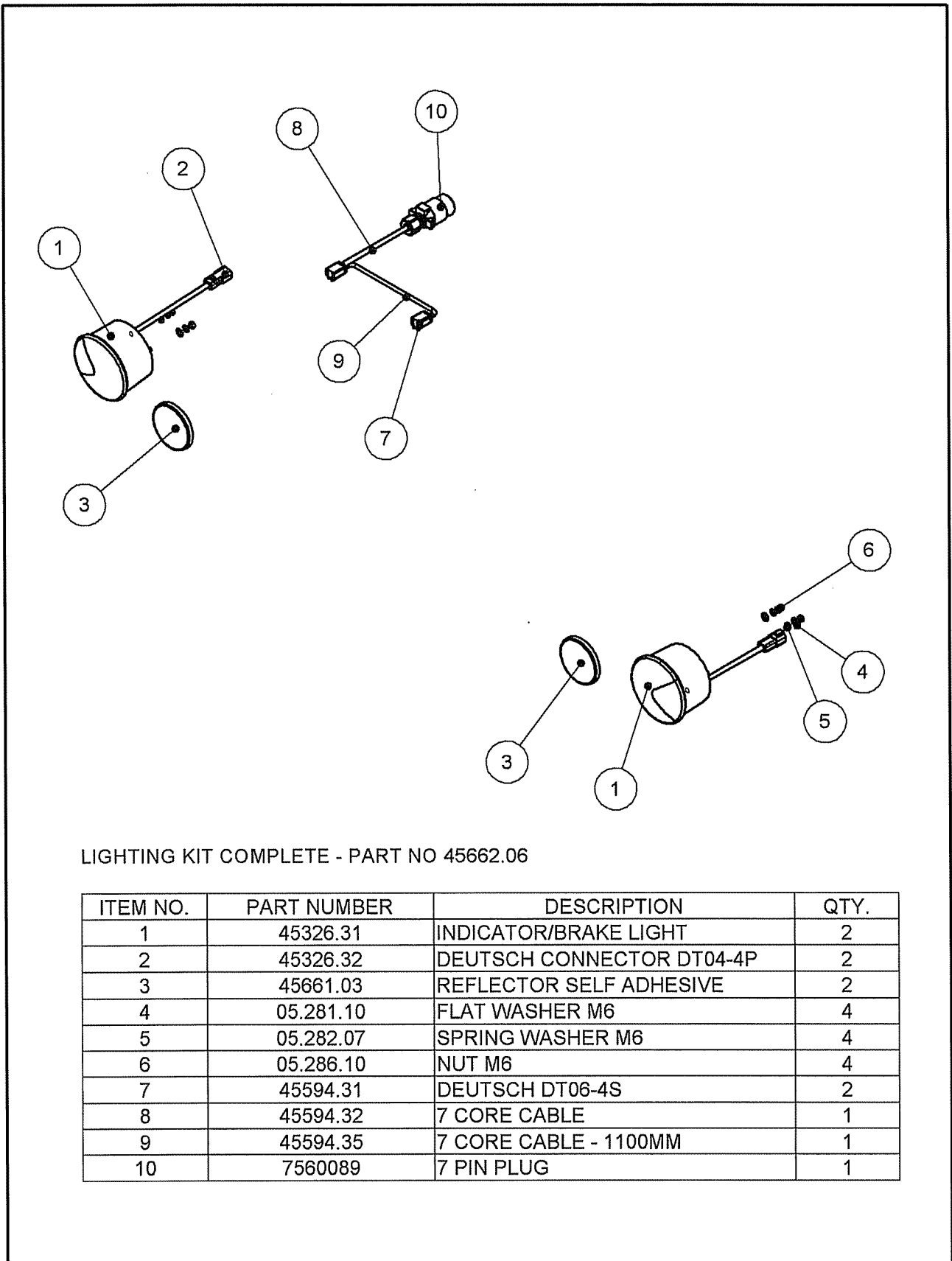
ITEM NO.	PART NUMBER	DESCRIPTION	QTY.
1	47313.05	ASA FAN ASA0043	1
2	05.290.06	BONDED SEAL 3/4" BSP	2
3	05.376.01	ADAPTOR 1/2"BSPx3/4"BSP	2
4	05.281.01	FLAT WASHER M8	6
5	05.282.01	SPRING WASHER M8	6
6	05.839.05	SETSCREW M6 X 16	4
7	48028.02	PLATE - REAR RH	1
8	9293054	BOLT CUP SQR M8x25	6
9	05.286.01	NUT M8	6
10	08.987.02	CABLE ASSY - 6.10M	1
11	42162.07	OIL COOLER - CABLE SWITCH EPP2	1
12	47313.03	THERMOSTAT	1
13	05.281.10	FLAT WASHER M6	4
14	05.282.07	SPRING WASHER M6	4

ARM FLOAT KIT - 76.420.03



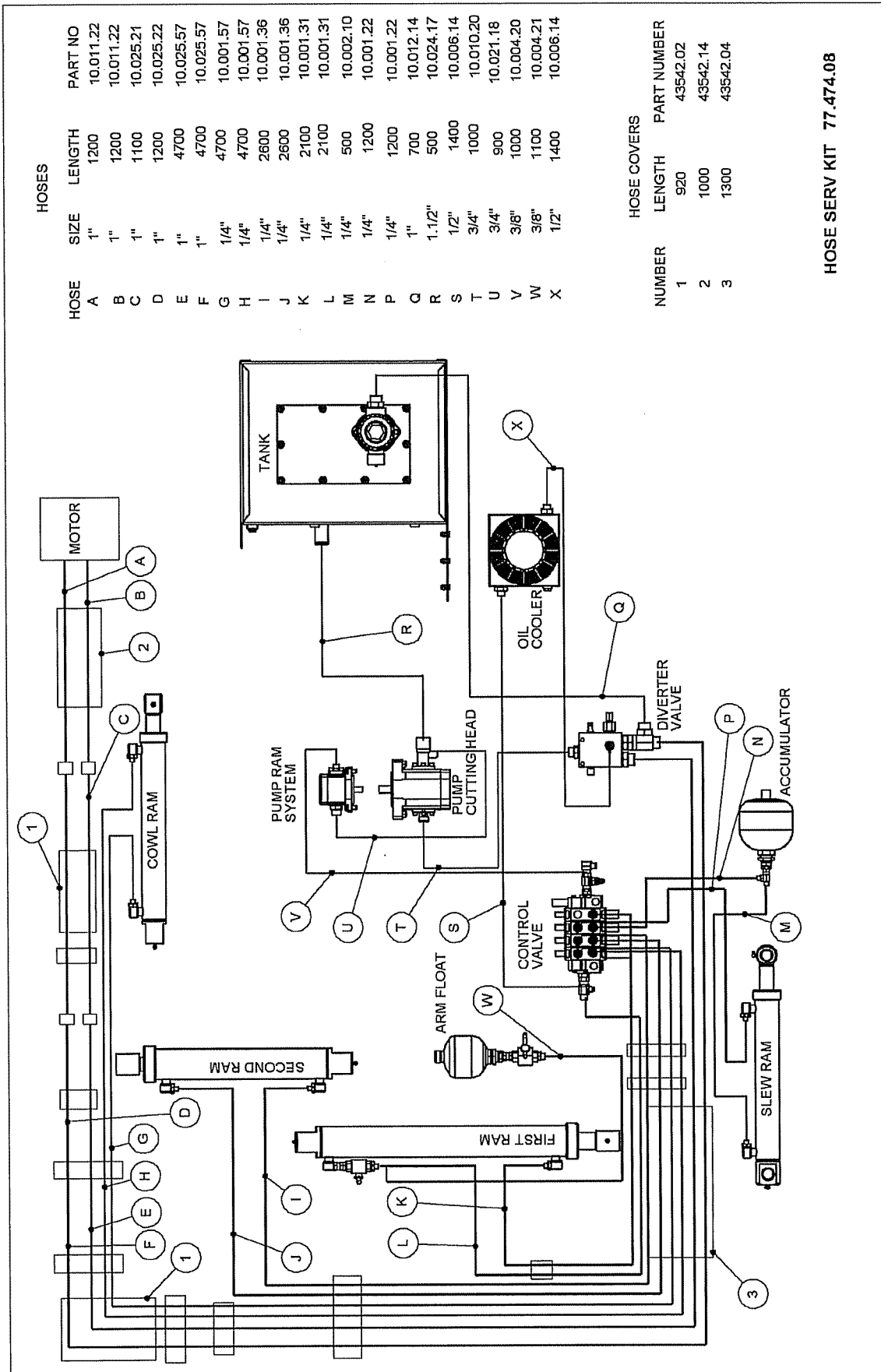
ITEM NO.	PART NUMBER	DESCRIPTION	QTY.
1	8126035	NUT	1
2	05.290.04	BONDED SEAL 3/8" BSP	2
3	05.290.05	BONDED SEAL 1/2" BSP	1
4	05.124.01	ADAPTOR 3/8"BSPx3/8"BSP	1
5	05.123.01	ADAPTOR 3/8"BSPx1/2"BSP	1
6	41451.02	ACCUMULATOR - 0.7LT (30 BAR)	1
7	08.200.01	VALVE - ISOLATING	1
8	04.056.16	TEE ADAPTOR FMM	1

LIGHT KIT RH - 77.134.04



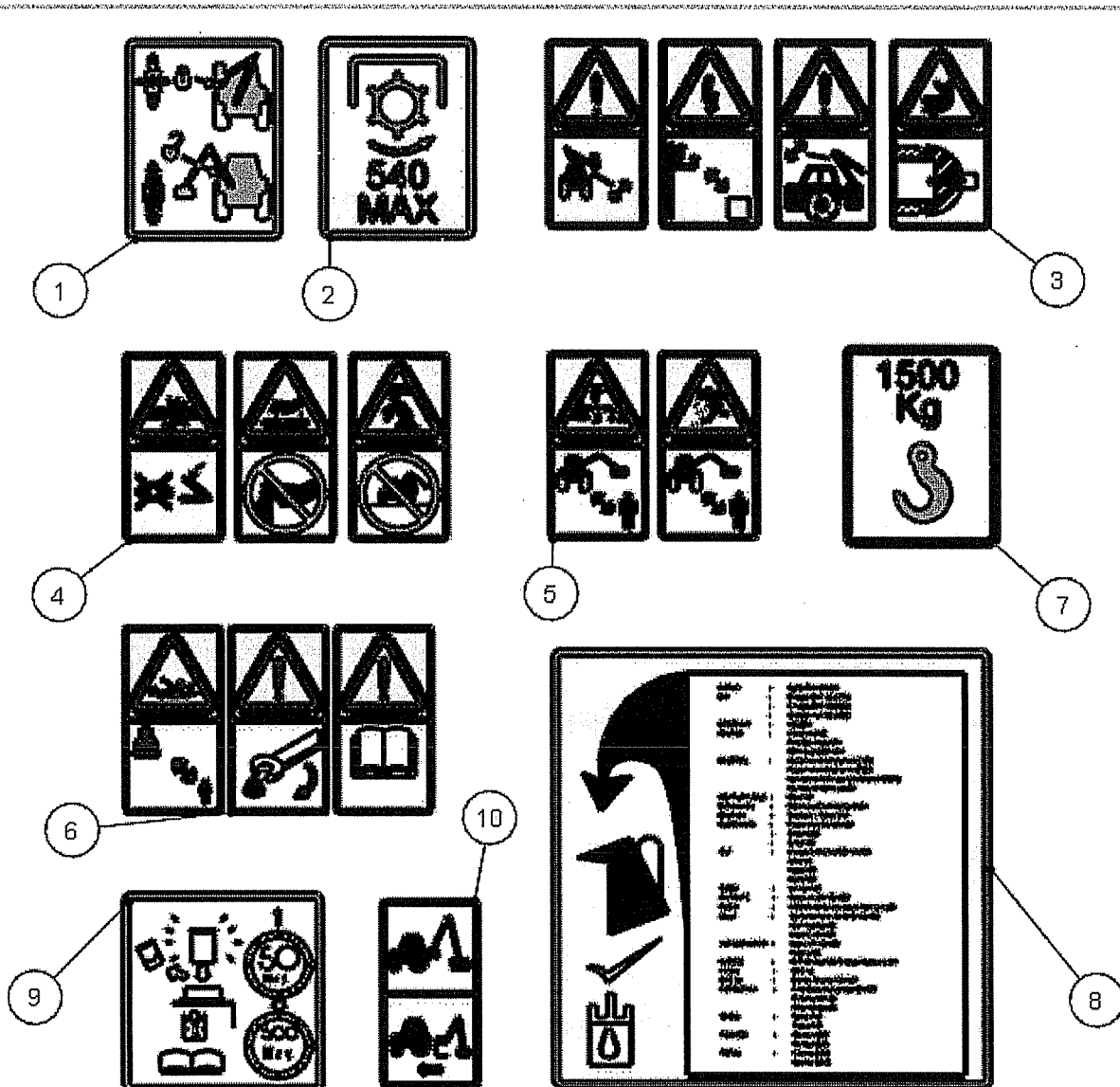
LIGHTING KIT COMPLETE - PART NO 45662.06

ITEM NO.	PART NUMBER	DESCRIPTION	QTY.
1	45326.31	INDICATOR/BRAKE LIGHT	2
2	45326.32	DEUTSCH CONNECTOR DT04-4P	2
3	45661.03	REFLECTOR SELF ADHESIVE	2
4	05.281.10	FLAT WASHER M6	4
5	05.282.07	SPRING WASHER M6	4
6	05.286.10	NUT M6	4
7	45594.31	DEUTSCH DT06-4S	2
8	45594.32	7 CORE CABLE	1
9	45594.35	7 CORE CABLE - 1100MM	1
10	7560089	7 PIN PLUG	1



HOSE SERV KIT 77.474.08

DECALS - ENGINEERING - 77.138.01



ITEM NO.	PART NUMBER	DESCRIPTION	QTY.
1	08.632.01	DECAL - TRANSPORT	1
2	09.811.04	DECAL - 540 MAX ACW	1
3	09.821.28	DECALS - EURO DECAL MINIATURISED	1
4	09.821.32	DECALS - EURO DECAL MINIATURISED	1
5	09.821.33	DECALS - EURO DECAL MINIATURISED	1
6	09.821.34	09.821.34	1
7	09.843.06	DECAL - LIFT POINT 1500 KG	1
8	09.845.01	DECAL - APPROVED OILS	1
9	09.846.02	DECAL - OIL FILTER CHANGE	1
10	46.681.01	DECAL - LEG POSITION WHEN PARKED	1