

PM 6001

KESTREL S
& GT497 S

ARM MOWER
PARTS MANUAL
ISSUE 1

IMPORTANT

NOTE HERE THE SERIAL NUMBER OF YOUR MACHINE AND ALWAYS QUOTE IT IN ANY COMMUNICATION WITH US OR YOUR DEALER. THIS IS PARTICULARLY IMPORTANT WHEN ORDERING SPARES. REMEMBER TO INCLUDE ALL NUMBERS AND LETTERS.

MACHINE SERIAL NUMBERS _____

THE INFORMATION GIVEN THROUGHOUT THIS MANUAL IS CORRECT AT THE TIME OF PUBLICATION. HOWEVER, IN THE COURSE OF CONSTANT DEVELOPMENT OF BOMFORD TURNER MACHINES, CHANGES IN SPECIFICATION ARE INEVITABLE. SHOULD YOU FIND THE INFORMATION GIVEN IN THIS BOOK TO BE AT VARIANCE WITH THE MACHINE IN YOUR POSSESSION, YOU ARE ADVISED TO CONTACT THE BOMFORD TURNER SERVICE DEPARTMENT WHERE UP-TO-DATE INFORMATION WILL BE PROVIDED. THE MANUAL CAN CONTAIN STANDARD AND OPTIONAL FEATURES AND IS NOT TO BE USED AS A MACHINE SPECIFICATION.

THE MACHINE HAS BEEN TESTED AND IS CONSIDERED SAFE IF CAREFULLY USED ENSURE YOUR OPERATOR IS PROPERLY TRAINED IN ITS USE AND MAINTENANCE.

IMPORTANT

NOTEZ ICI LES NUMEROS DE SERIE DE VOTRE MACHINE ET MENTIONNEZ LES DANS TOUTE COMMUNICATION AVEC NOS SERVICES OU VOTRE REVENDEUR. CEÇI EST IMPORTANT POUR LA COMMANDE DE PIECES DETACHEES. PENSEZ A NOTER TOUS LES NUMEROS ET TOUTES LES LETTERS.

NUMEROS DE SERIE DE LA MACHINE _____

LES INFORMATIONS DONNEES DANS CE MANUEL SONT CORRECTES CEPENDANT, DU FAIT DE DEVELOPPEMENT CONSTANT DES MACHINES BOMFORD TURNER.

CHANGEMENTS DANS LES CARACTERISTIQUES SONT INEVITABLES.

SI VOUS TROUVEZ QUE LES INFORMATIONS DONNEES NE CORRESPONDENT PAS A VOTRE MACHINE VEUILLEZ CONTACTER LE SERVICE DES REPARATIONS OU DES INFORMATIONS PLUS RECENTES VOUS SERONT DONNEES.

CE MANUEL PEUT MONTRER DES CARACTERISTIQUES OPTIONNELLES ET NE PEUT PAS ETRE CONSIDERE COMME SPECIFICATION DE LA MACHINE.

CETTE MACHINE A ETE TESTEE, ET ELLE EST CONSIDEREE COMME FIABLE A CONDITION D'UNE BONNE UTILISATION. ASSUREZ-VOUS QUE VOTRE OPERATEUR EST QUALIFIE EN CE QUI CONCERNE L'UTILISATION DE LA MACHINE AINSI QUE SON ENTRETIEN.

WICHTIG

TRAGEN SIE HIER DIE SERIENNUMMERN IHRER MASCHINE EIN UND GEBEN SIE DIESE IMMER AN, WENN SIE SICH AN UNS ODER IHREN HÄNDLER WENDEN. DAS IST BESONDERS BEI ERSATZTEILBESTELLUNGEN WICHTIG. VERGESSEN SIE NICHT, ALLE ZAHLEN UND BUCHSTABEN ZU NOTIEREN.

SERIENNUMMERN DER MASCHINE _____

DIE ANGABEN IN DIESEM HANDBUCH SIND BEI VERÖFFENTLICHUNG KORREKT. AUFGRUND DER KONSTANTEN WEITERENTWICKLUNG VON BOMFORD TURNER MASCHINEN SIND JEDOCHÄNDERUGDEN IN DER SPEZIFIKATION UNVERMEIDLICH. WENN DIE INFORMATION IN DIESEM HANDBUCH NICHT MIT IHRER MASCHINE ÜBEREINSTIMMEN, NEHMEN SIE BITTE KONTAKT MIT DER BOMFORD TURNER KUNDENDIENSTABTEILUNG AUF, DIE IHNEN GERNE DIE AKTUELLEN INFORMATION ZUKOMMEN LÄSST. DAS HANDBUCH KANN SOWOHL BESCHREIBUNGEN FÜR DIE STANDARD AUSFÜHRUNG ALS AUCH FÜR ZUBEHÖR ENTHALTEN UND IST NICHT ALS MASCHINENSPEZIFIKATION ZU VERWENDET.

DIE MASCHINE IST GETESTET UND BEI SACHGEMÄSSEM BETRIEB ALS SICHER BEFUNDEN WORDEN. SORGEN SIE DAFÜR, DASS IHR BEDIENPERSONAL IN ANWENDUNG UND WARTUNG RICHTIG GESCHULT WIRD.

INDEX

KESTREL RANGE OF ARM MOWERS

PLEASE ENSURE THE CORRECT PART NUMBER AND DESCRIPTION IS GIVEN WHEN ORDERING SPARE PARTS.

For Machines with Serial Numbers commencing from.....

DESCRIPTION

BUDGET TUBULAR STABILISERS.....	77.310.01
MAINFRAME ASSY LH.....	77.443.05
MAINFRAME ASSY RH.....	77.443.06
TANK OIL ASSY LH.....	76.382.07
OIL TANK ASSY RH.....	76.382.08
TANK OIL ASSEMBLY LH EPP.....	76.382.10
OIL COOLER ASSEMBLY.....	77.120.03
FILTER ASSEMBLY.....	74.803.03
KINGPOST ASSY PAR LH.....	77.197.04
KINGPOST ASSEMBLY RH PAR.....	77.197.05
KINGPOST ASSY LH.....	77.301.07
KINGPOST ASSY RH.....	77.301.09
ROCKER AND LINK ASSEMBLY.....	77.307.02
ARM ASSY FIRST PAR 5.0.....	77.430.03
ARM ASSY FIRST RH PAR.....	77.430.04
ARM ASSY FIRST LH.....	77.353.03
ARM ASSY FIRST RH.....	77.353.04
ARM ASSY - SECOND PAR 5.0.....	77.431.03
ARM ASSY SECOND RH PAR.....	77.431.04
ARM ASSY SECOND LH.....	77.354.03
ARM ASSY SECOND RH.....	77.354.04
COWL BRKT ASSY LH.....	77.182.01
COWL BRKT ASSY RH.....	77.182.02
PTO AND GEARBOX ASSEMBLY.....	77.472.01
GEARBOX/PTO ASSEMBLY RH.....	77.472.02
PUMPS ASSEMBLY.....	77.473.01
PUMP CIRCUIT CABLE.....	77.470.01
PUMP CIRCUIT CABLE DSR.....	77.470.02
PUMP CIRCUIT CABLE EPP.....	77.470.03
CONTROL VALVE ASSEMBLY 4 SERVICE.....	77.471.01
CONTROL VALVE ASSEMBLY.....	77.471.02
ACCUMULATOR - SLEW A.....	77.117.01
RAM SLEW CABLE.....	77.111.02
RAM ASSEMBLY - FIRST PARALLEL.....	77.104.11
RAM ASSY - FIRST.....	77.104.01
RAM ASSEMBLY - SECOND PARALLEL.....	77.114.10
RAM ASSY COWL CABLE.....	77.113.02
CABLE ASSY - 5 LEVER LH.....	76.421.08
EPPII REMOTE CONTROL ASSEMBLY LH/RH.....	76.426.07/08
HOSE LAYOUT.....	77.474.01
HOSE LAYOUT.....	77.474.05
DECALS - ENGINEERING.....	77.138.01
ARM FLOAT KIT.....	77.221.01

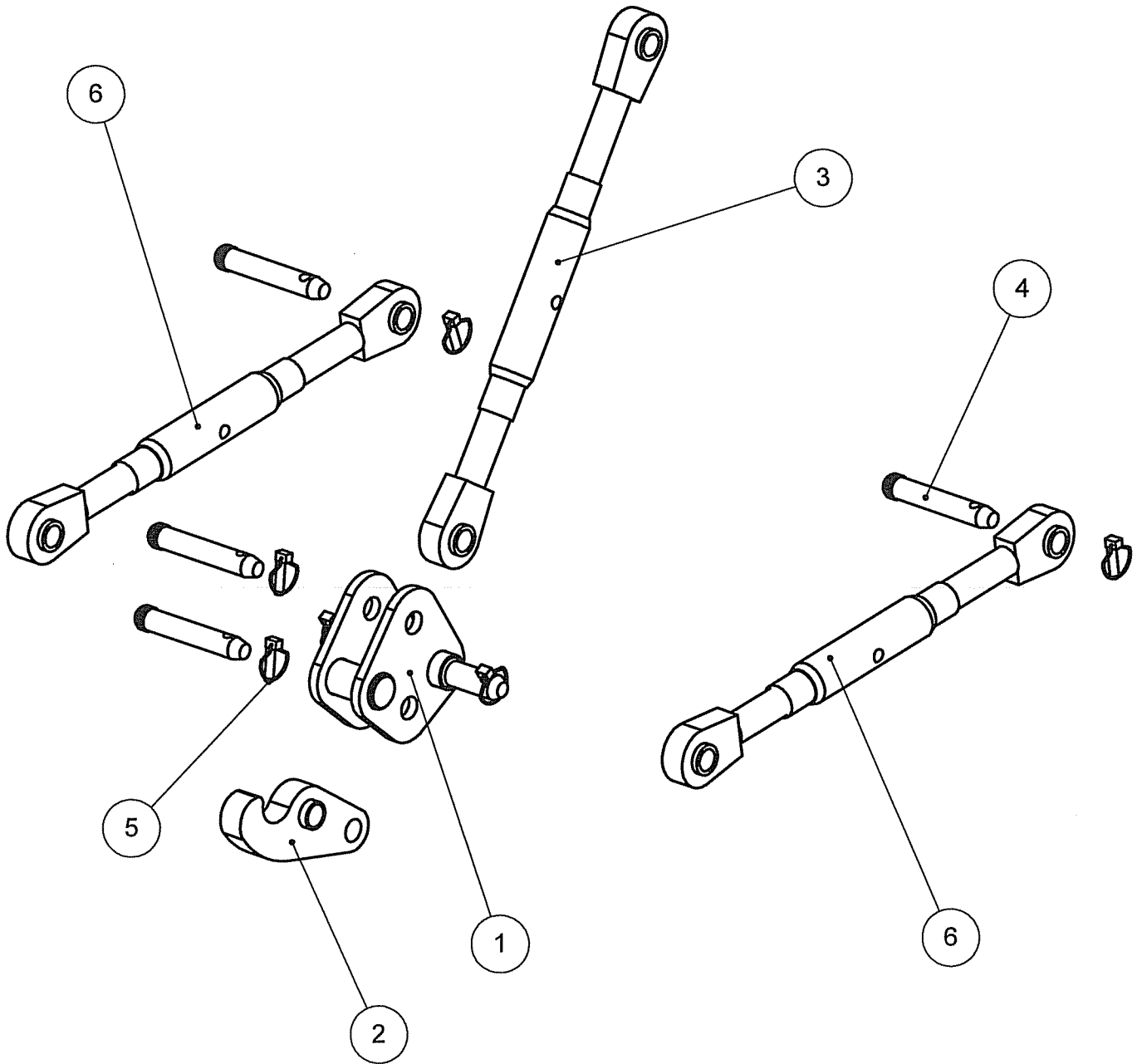
IMPORTANT

THIS MACHINE IS FOR VEGETATION CONTROL AND MUST NOT BE USED FOR ANY OTHER PURPOSE.

IT IS POTENTIALLY HAZARDOUS TO FIT OR USE ANY PARTS OTHER THAN GENUINE BOMFORD TURNER PARTS.

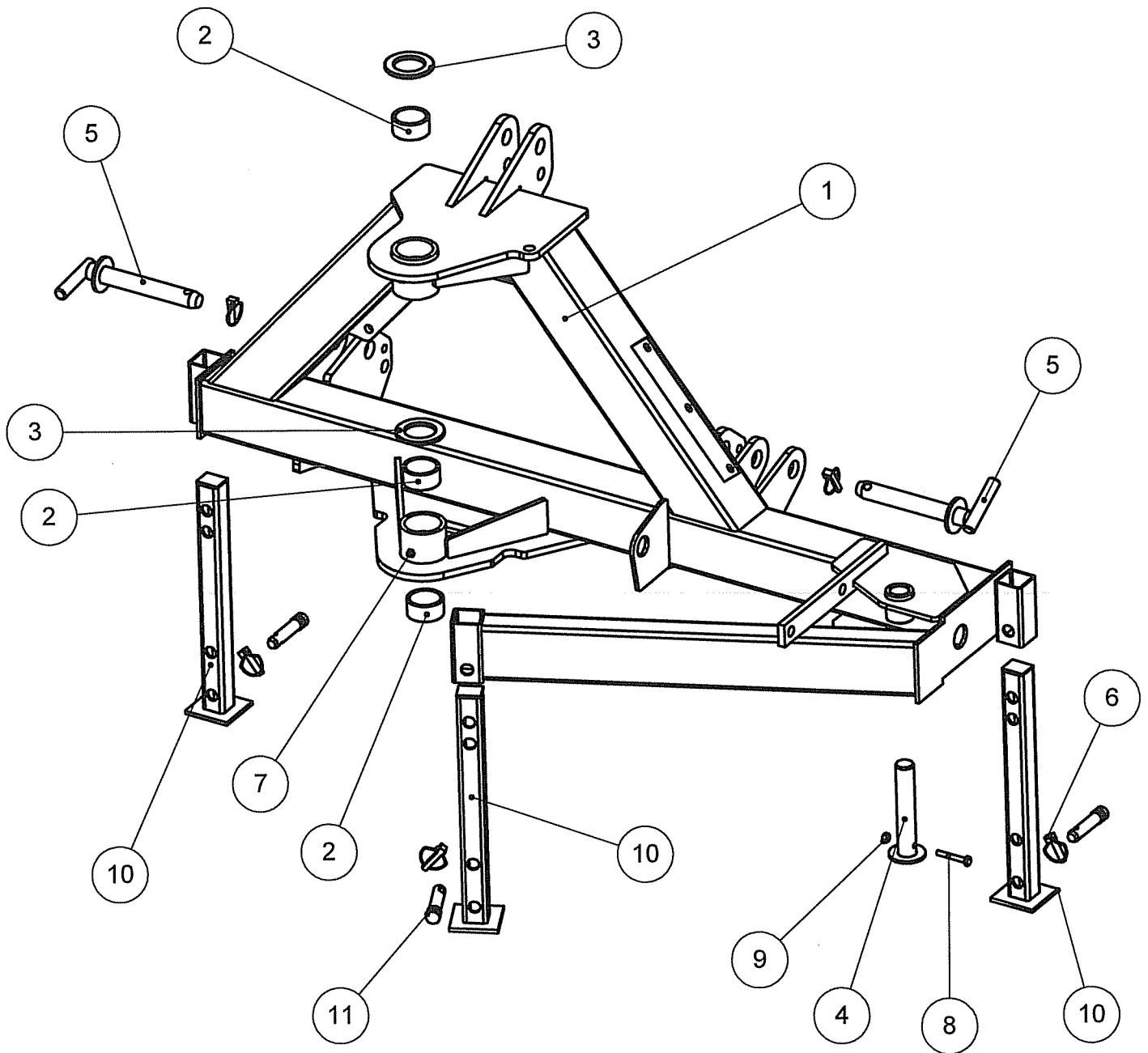
THE COMPANY DISCLAIMS ALL LIABILITY FOR THE CONSEQUENCES OF SUCH USE WHICH, IN ADDITION, VOIDS THE MACHINE WARRANTY.

BUDGET TUBULAR STABILISERS - 77.310.01



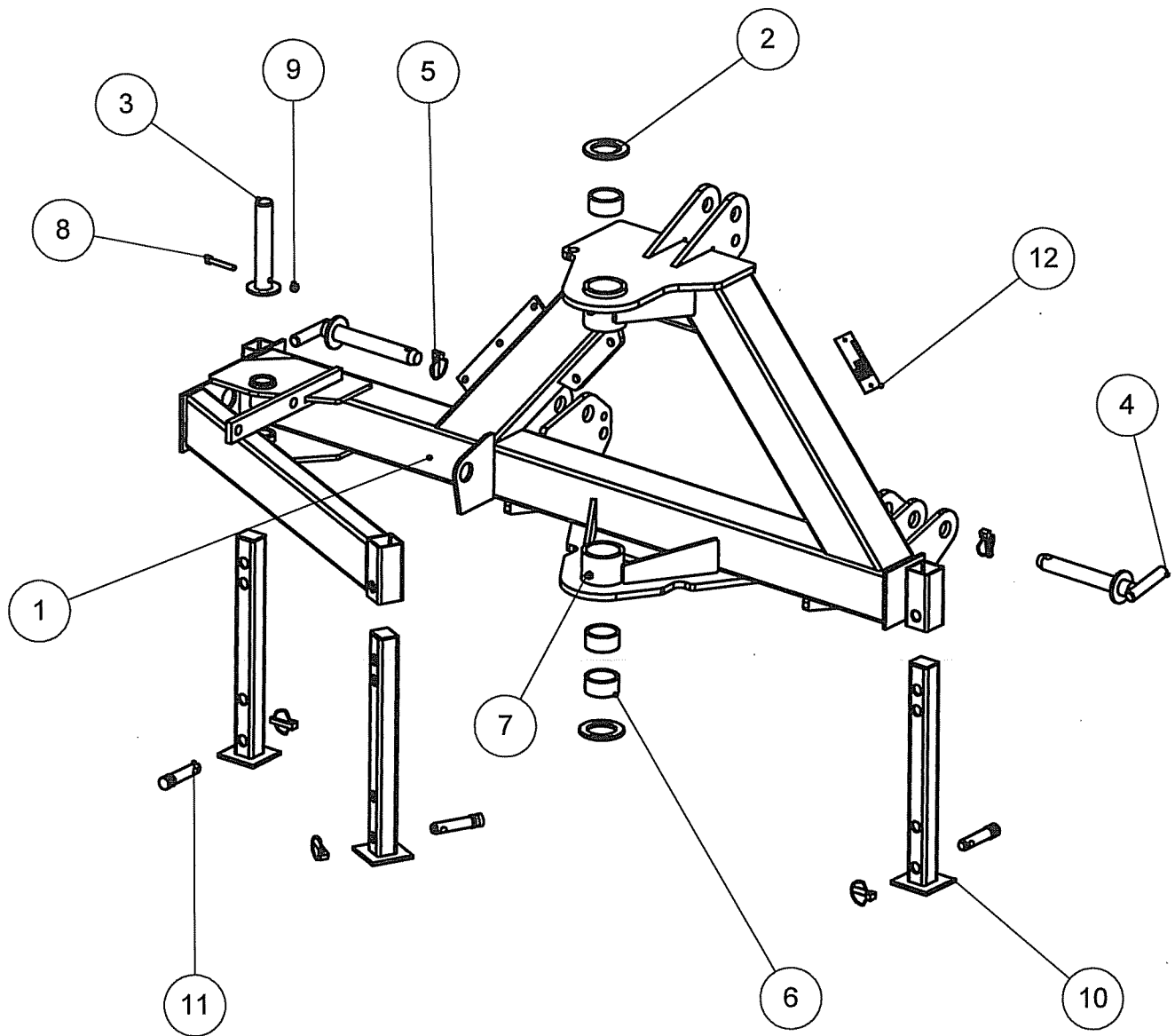
ITEM NO.	PART NUMBER	DESCRIPTION	QTY.
1	46940.01	TOP LINK YOKE	1
2	46940.02	TOP LINK BRKT	1
3	07.584.02	TOP LINK	1
4	03.873.01	PIN	4
5	00.372.01	LINCH PIN	6
6	46938.01	STABILISER LINK	2

MAINFRAME ASSY LH - 77.443.05



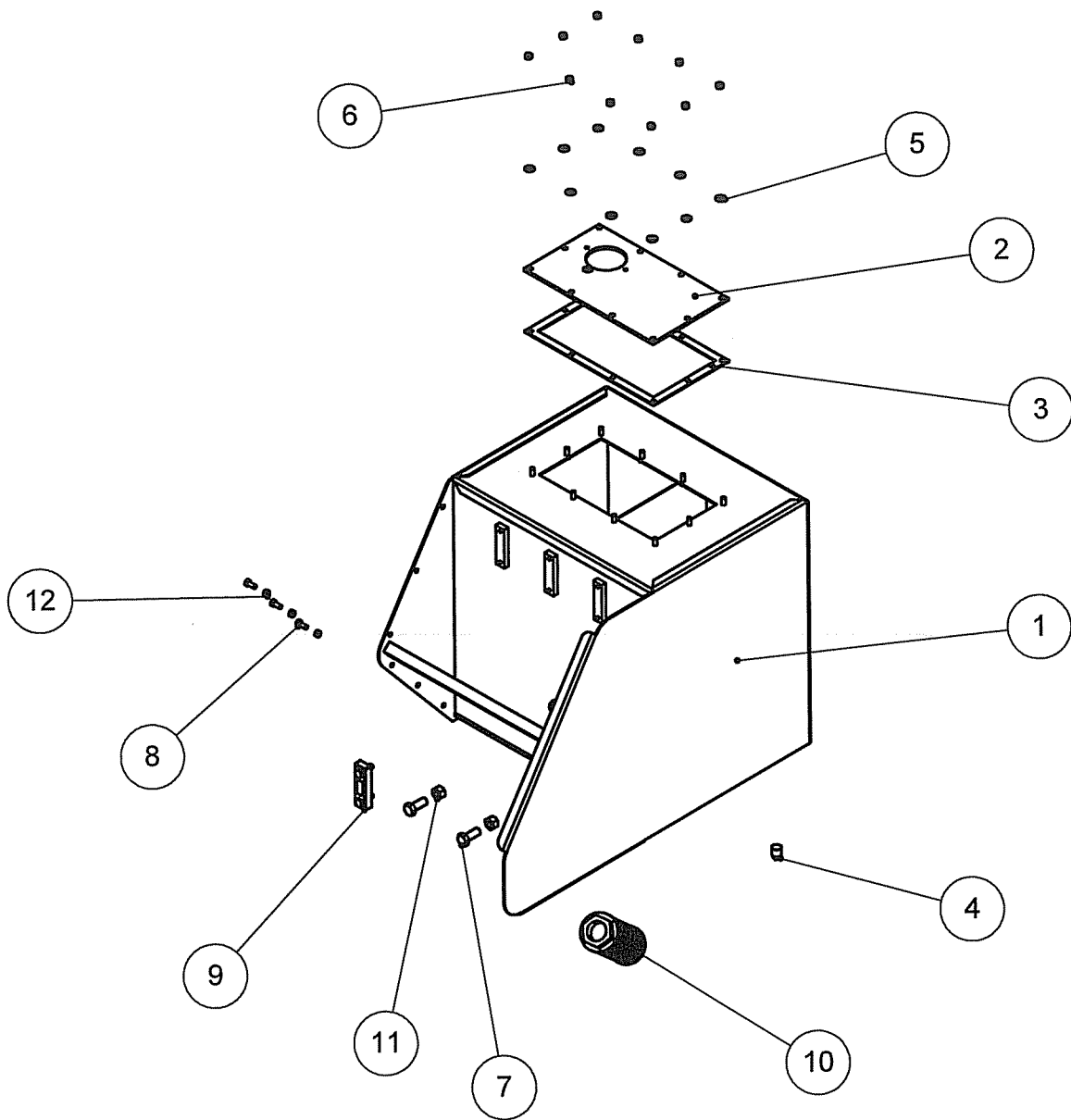
ITEM NO.	PART NUMBER	DESCRIPTION	QTY.
1	47635.01	MAINFRAME LH	1
2	08.297.13	BUSH 60X50X30	4
3	09.918.01	THRUST WASHER	2
4	03.654.94	PIN 30 DIA X 166	1
5	07.574.01	PIN	2
6	00.372.01	LINCH PIN	5
7	05.953.03	GREASE NIPPLE M10xStr	2
8	05.291.06	BOLT M8x55	1
9	05.287.01	SELF-LOCKING NUT M8	1
10	47704.01	STAND	3
11	T7528	PIN LINKAGE 3/4 BARE X 50	3
12	05.774.07	SERIAL PLATE	1

MAINFRAME ASSEMBLY RH - 77.443.06



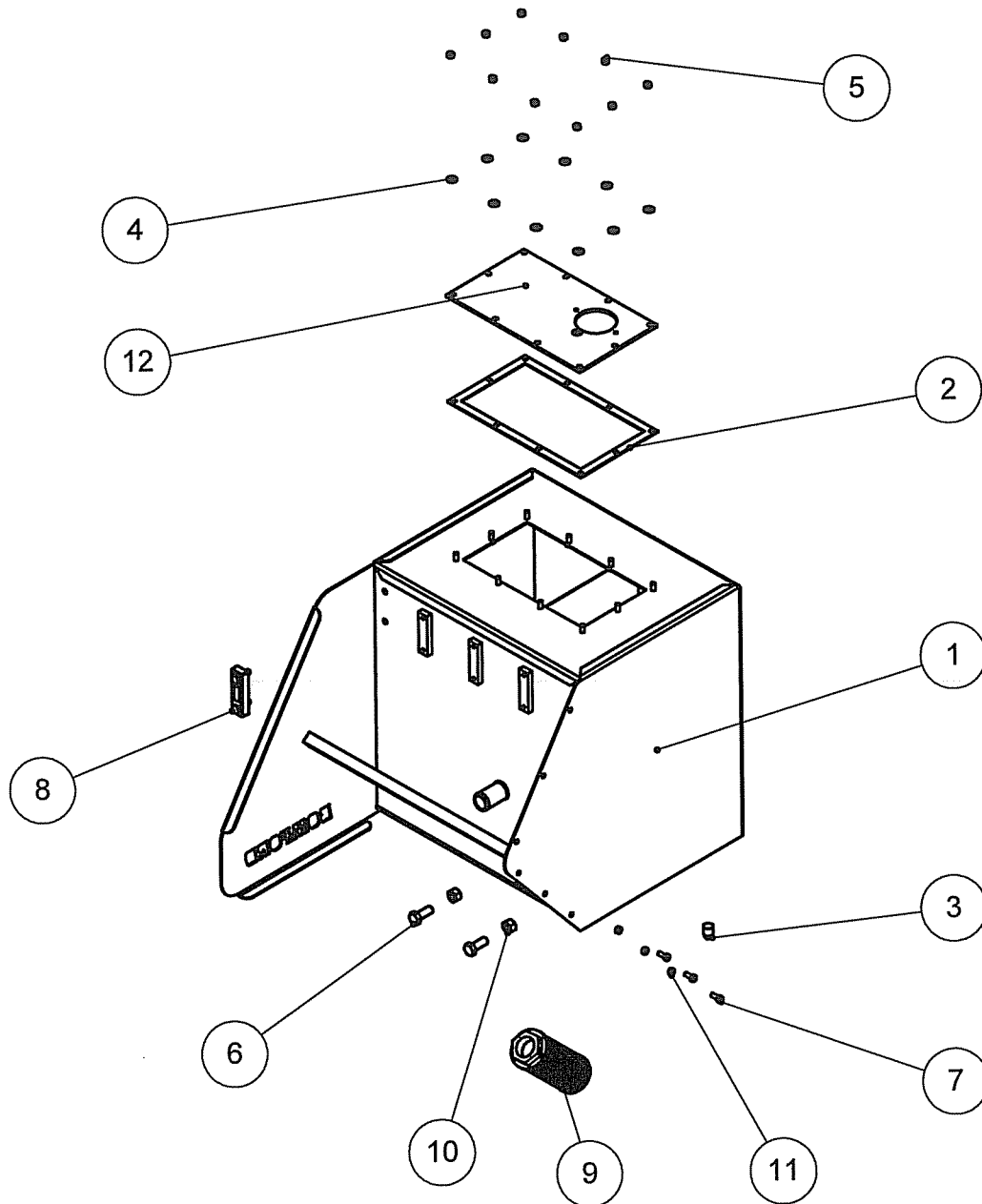
ITEM NO.	PART NUMBER	DESCRIPTION	QTY.
1	47635.02	MAINFRAME RH	1
2	09.918.01	THRUST WASHER	2
3	03.654.94	PIN 30 DIA X 166	1
4	07.574.01	PIN	2
5	00.372.01	LINCH PIN	5
6	08.297.13	BUSH 60X50X30	4
7	05.953.03	GREASE NIPPLE M10xStr	2
8	05.291.06	BOLT M8x55	1
9	05.287.01	SELF-LOCKING NUT M8	1
10	47704.01	STAND	3
11	T7528	PIN LINKAGE 3/4 BARE X 50	3
12	05.774.07	SERIAL PLATE	1

TANK OIL ASSY LH - 76.382.07



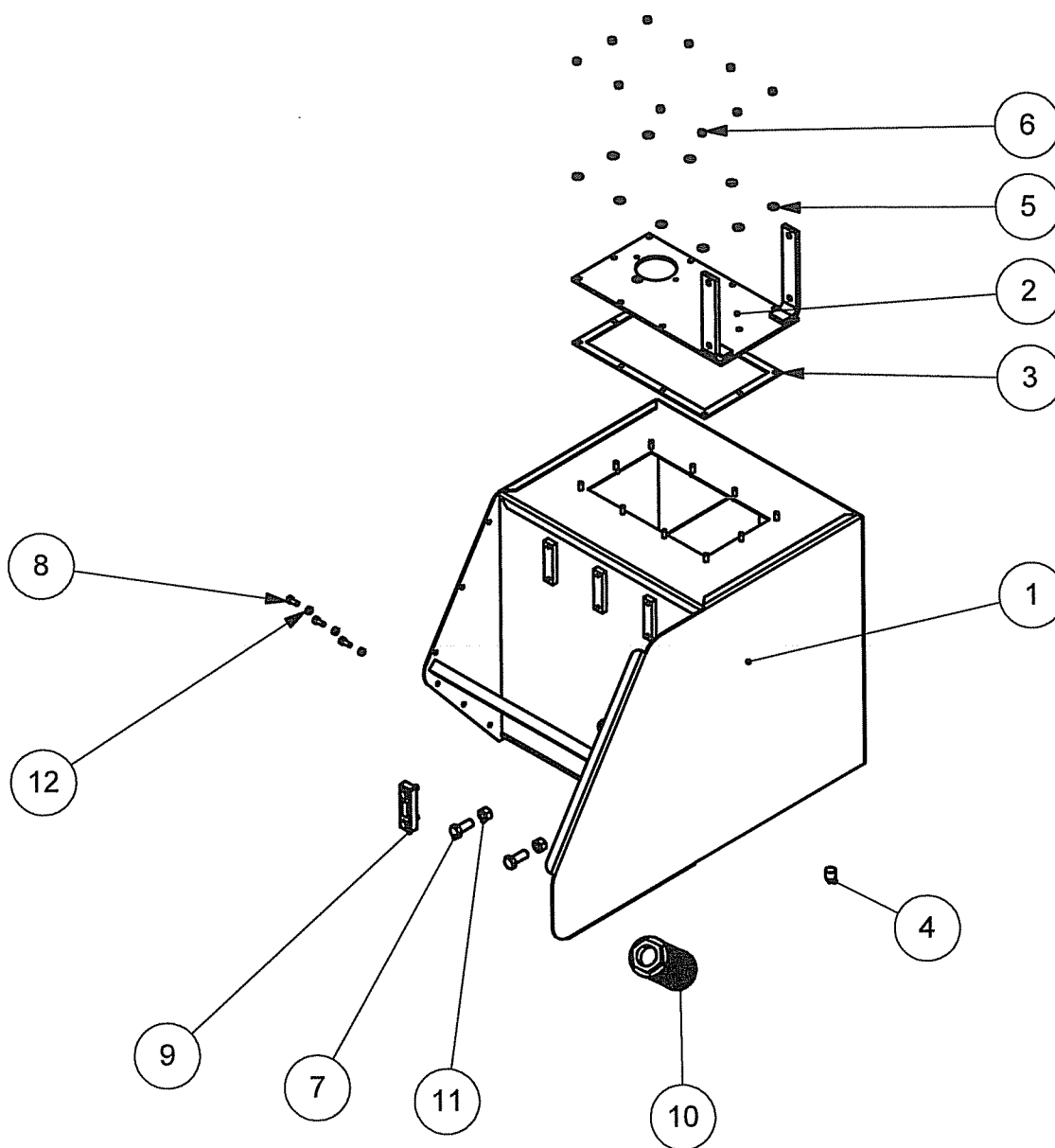
ITEM NO.	PART NUMBER	DESCRIPTION	QTY.
1	42112.03	TANK - OIL LH	1
2	212.029	PLATE	1
3	08.605.01	GASKET	1
4	05.495.01	PLUG 1/2" BSPT	1
5	05.281.01	FLAT WASHER M8	10
6	05.286.01	NUT M8	10
7	05.264.35	SETSCREW M16x40	2
8	05.264.01	SETSCREW M8x20	3
9	08.921.01	FLUID LEVEL GAUGE	1
10	8401047	STRAINER	1
11	05.287.04	SELF-LOCKING NUT M16	2
12	05.287.01	SELF-LOCKING NUT M8	3

OIL TANK ASSEMBLY RH - 76.382.08



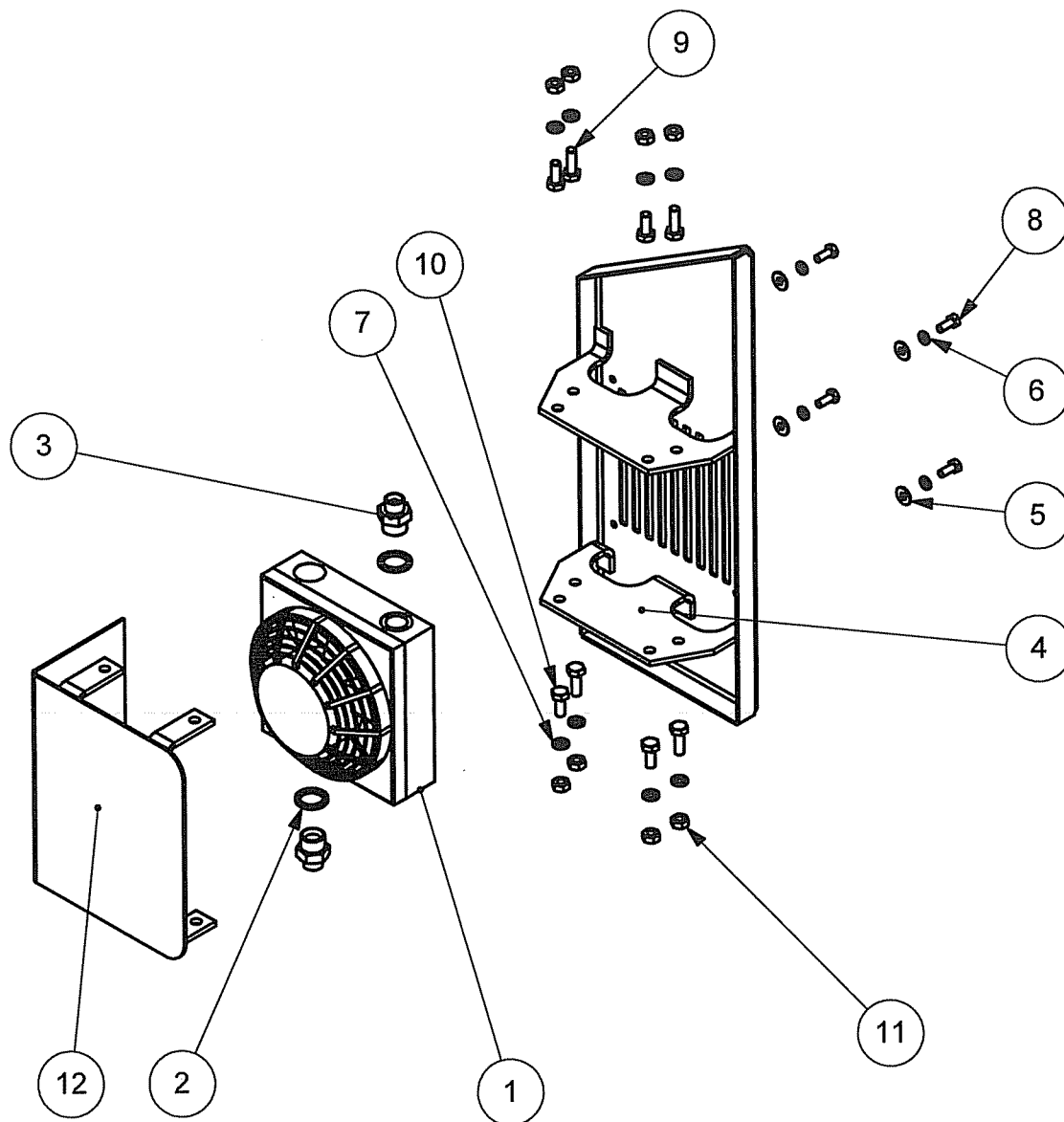
ITEM NO.	PART NUMBER	DESCRIPTION	QTY.
1	42112.04	TANK - OIL - RH	1
2	08.605.01	GASKET	1
3	05.495.01	PLUG 1/2" BSPT	1
4	05.281.01	FLAT WASHER M8	10
5	05.286.01	NUT M8	10
6	05.264.35	SETSCREW M16x40	2
7	05.264.01	SETSCREW M8x20	3
8	08.921.01	FLUID LEVEL GAUGE	1
9	8401047	STRAINER	1
10	05.287.04	SELF-LOCKING NUT M16	2
11	05.287.01	SELF-LOCKING NUT M8	3
12	212.029	PLATE	1

TANK OIL ASSEMBLY LH EPP - 76.382.10



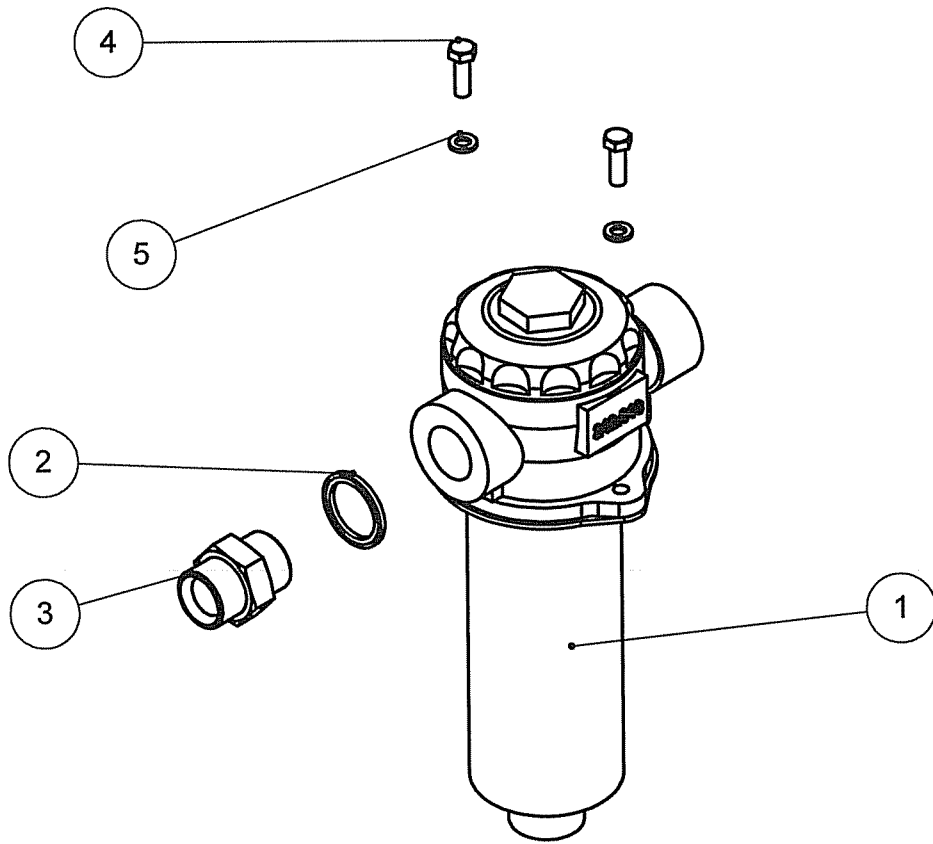
ITEM NO.	PART NUMBER	DESCRIPTION	QTY.
1	42112.03	TANK - OIL LH	1
2	47942.01	BRACKET - TANK TOP	1
3	08.605.01	GASKET	1
4	05.495.01	PLUG 1/2" BSPT	1
5	05.281.01	FLAT WASHER M8	10
6	05.286.01	NUT M8	10
7	05.264.35	SETSCREW M16x40	2
8	05.264.01	SETSCREW M8x20	3
9	08.921.01	FLUID LEVEL GAUGE	1
10	8401047	STRAINER	1
11	05.287.04	SELF-LOCKING NUT M16	2
12	05.287.01	SELF-LOCKING NUT M8	3

OIL COOLER ASSEMBLY - 77.120.03



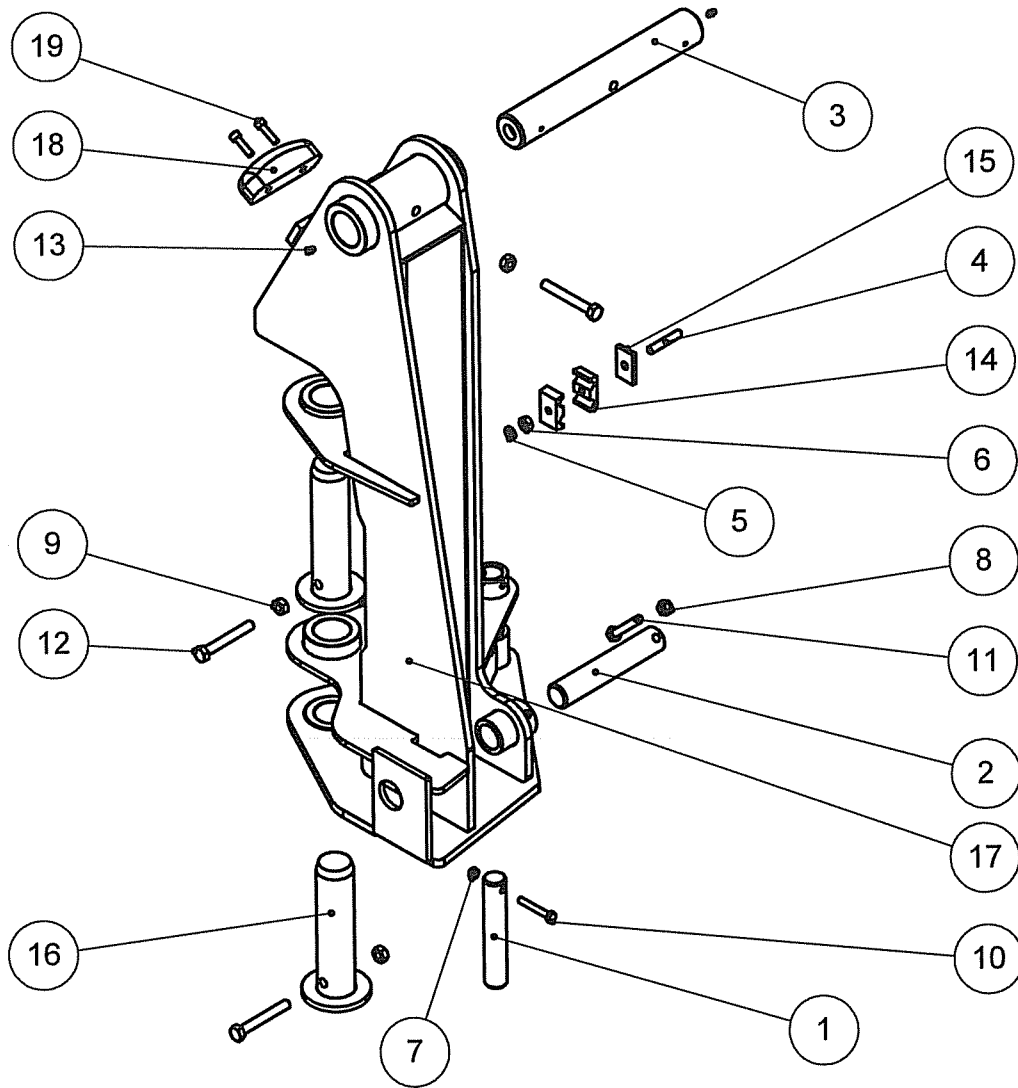
ITEM NO.	PART NUMBER	DESCRIPTION	QTY.
1	47313.05	ASA FAN ASA0043	1
2	05.290.06	BONDED SEAL 3/4" BSP	2
3	05.376.01	ADAPTOR 1/2"BSPx3/4"BSP	2
4	47934.01	GUARD - REAR LH	1
5	05.281.01	FLAT WASHER M8	4
6	05.282.01	SPRING WASHER M8	4
7	05.282.02	SPRING WASHER M10	8
8	05.264.01	SETSCREW M8x20	4
9	05.264.13	SETSCREW M10x30	4
10	05.264.12	SETSCREW M10x25	4
11	05.286.02	NUT M10	8
12	47957.01	COVER - FAN	1

FILTER ASSEMBLY - 74.803.03



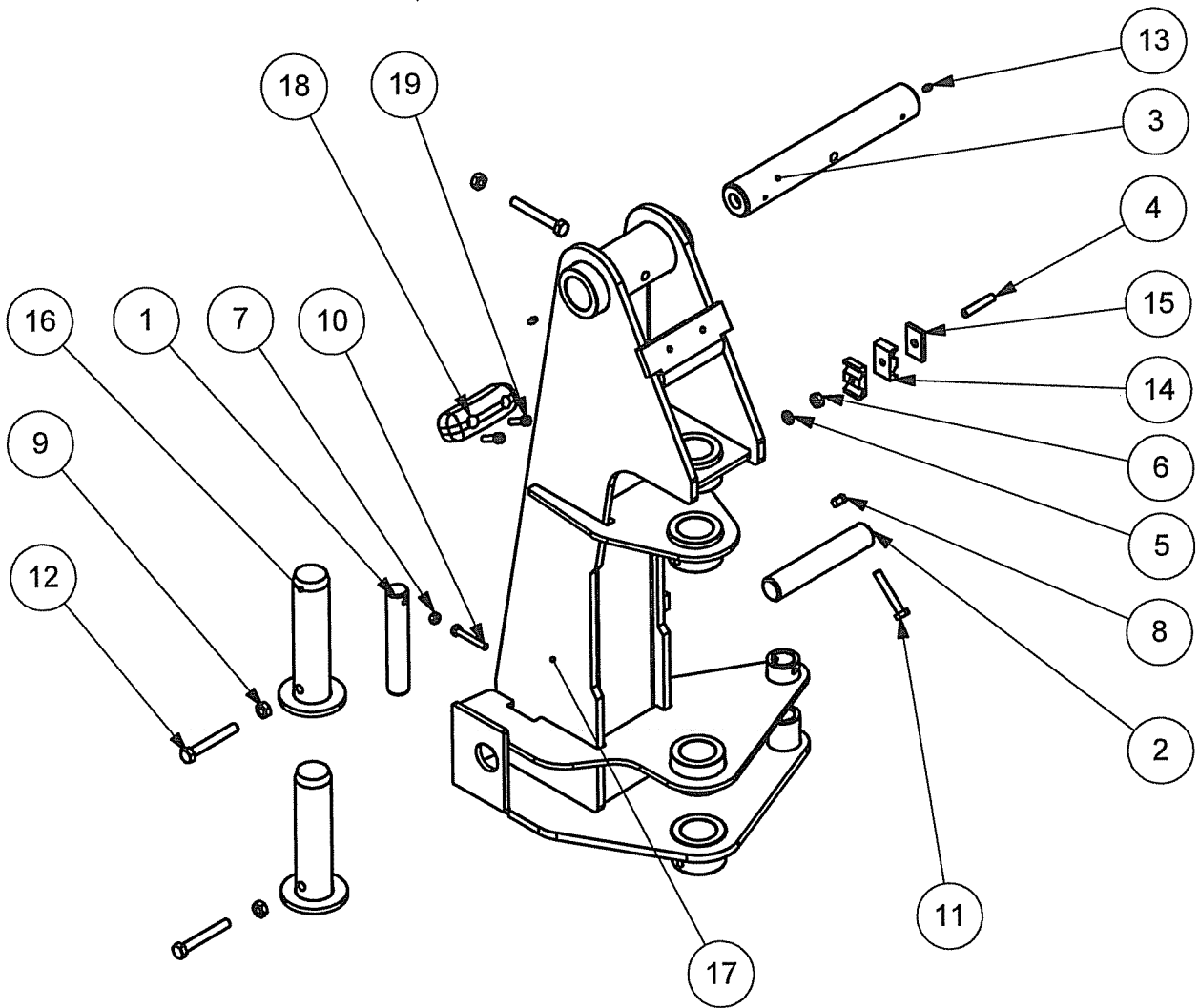
ITEM NO.	PART NUMBER	DESCRIPTION	QTY.
1	212.013	FILTER ASSY 100L	1
2	05.290.07	BONDED SEAL 1" BSP	1
3	05.434.01	ADAPTOR 1"BSPx1"BSP	1
4	05.264.02	SETSCREW M8x25	2
5	05.282.01	SPRING WASHER M8	2

KINGPOST ASSY PAR LH - 77.197.04



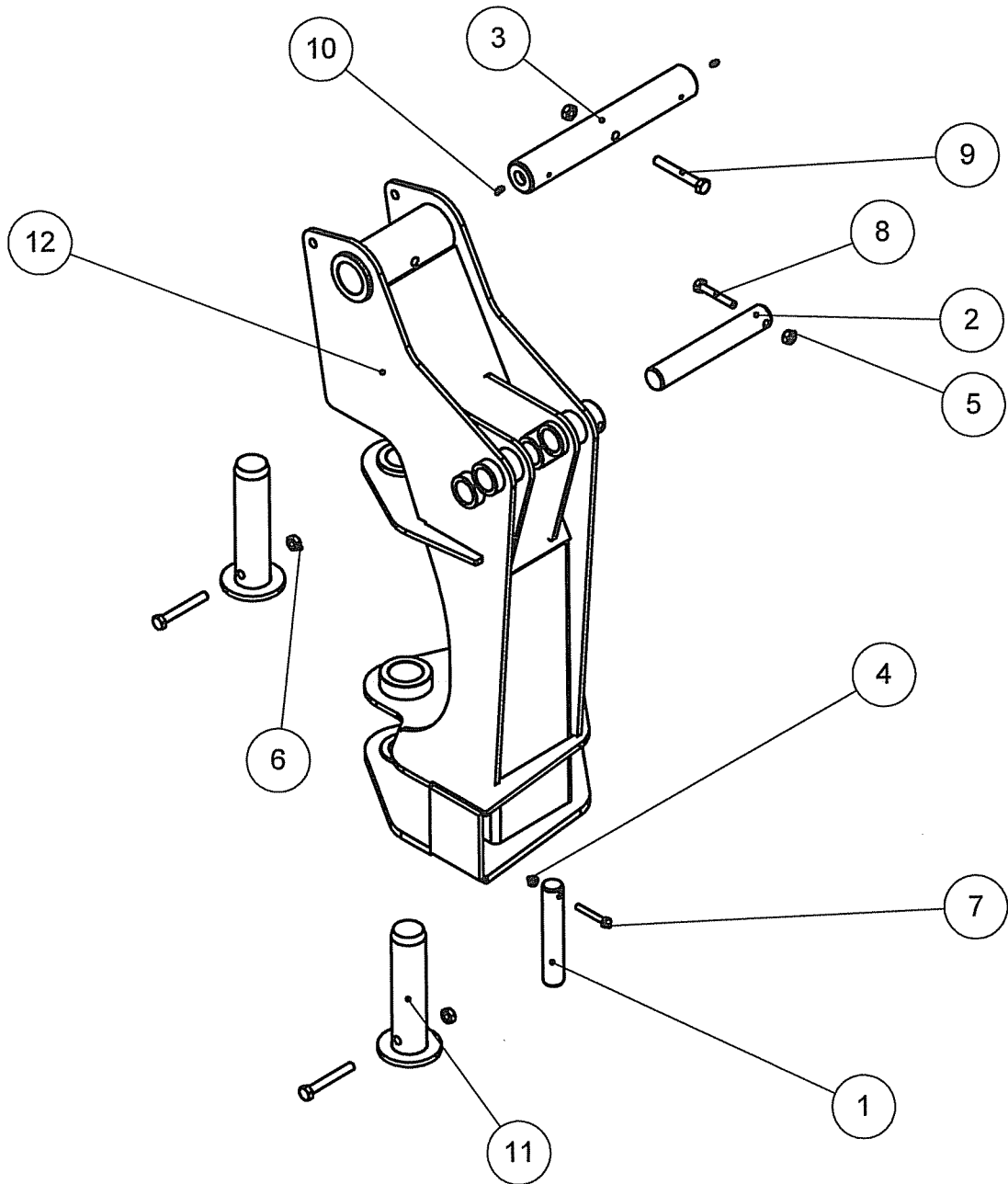
ITEM NO.	PART NUMBER	DESCRIPTION	QTY.
1	03.654.89	PIN 30 DIA X 170	1
2	03.655.53	PIN 35 DIA X 189	1
3	03.657.24	PIN 50 DIA - 341	1
4	04.282.66	STUD M10x56	1
5	05.282.02	SPRING WASHER M10	1
6	05.286.02	NUT M10	1
7	05.287.01	SELF-LOCKING NUT M8	1
8	05.287.02	SELF-LOCKING NUT M10	1
9	05.287.03	SELF-LOCKING NUT M12	3
10	05.291.06	BOLT M8x55	1
11	05.291.18	BOLT M10x65	1
12	05.292.22	BOLT M12x90	3
13	05.953.01	GREASE NIPPLE M6xStr	2
14	06.430.02	HOSE CLAMP 14 x 14	2
15	06.418.06	FLAT	1
16	45965.01	PIN - KINGPOST 50MM DIA	2
17	46396.03	KINGPOST PAR LH	1
18	46237.01	BUFFER - RUBBER	1
19	05.625.37	SKT CAPSCREW M8x30	2

KINGPOST ASSEMBLY RH PAR - 77.197.05



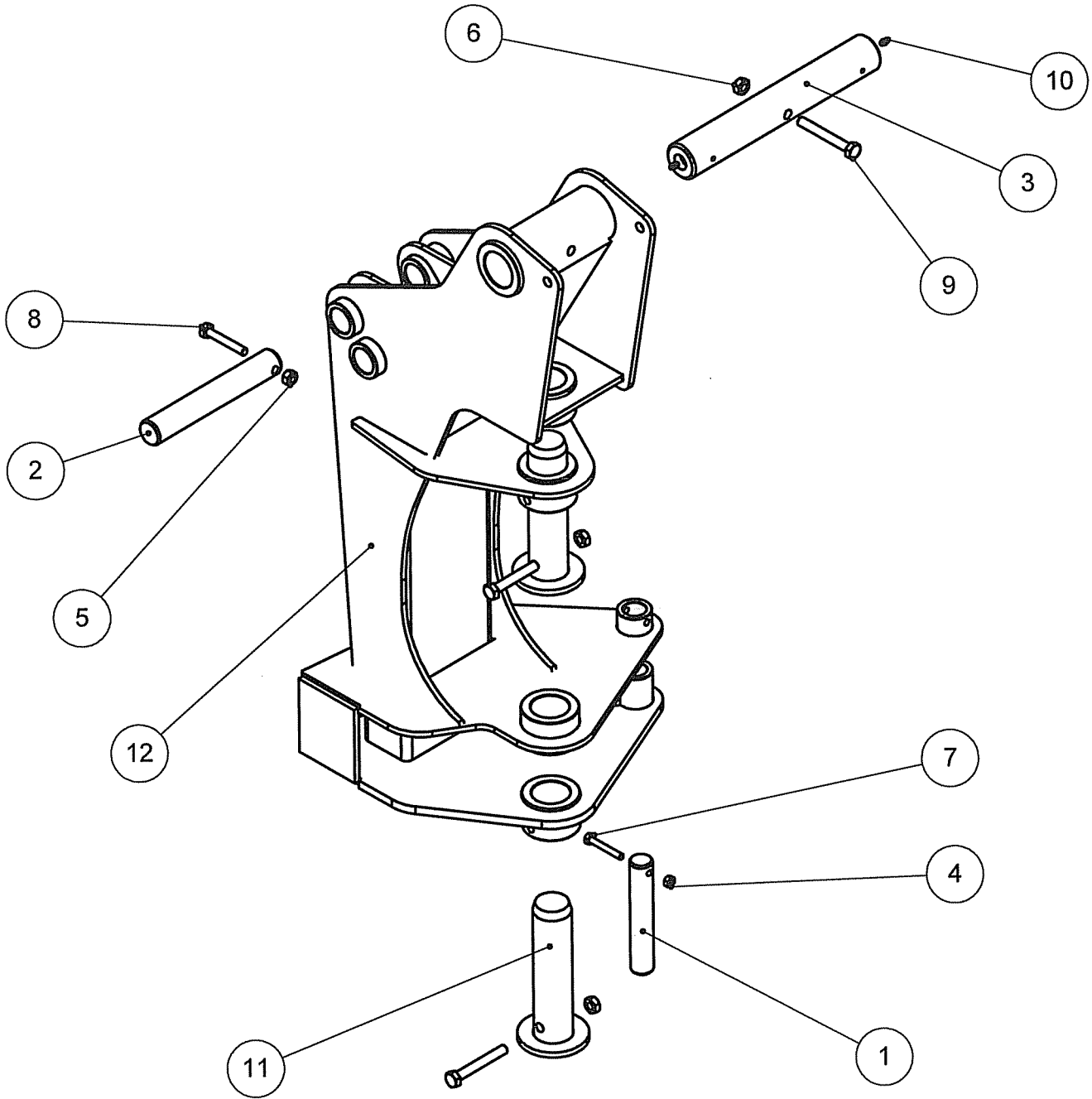
ITEM NO.	PART NUMBER	DESCRIPTION	QTY.
1	03.654.89	PIN 30 DIA X 170	1
2	03.655.53	PIN 35 DIA X 189	1
3	03.657.24	PIN 50 DIA - 341	1
4	04.282.66	STUD M10x56	1
5	05.282.02	SPRING WASHER M10	1
6	05.286.02	NUT M10	1
7	05.287.01	SELF-LOCKING NUT M8	1
8	05.287.02	SELF-LOCKING NUT M10	1
9	05.287.03	SELF-LOCKING NUT M12	3
10	05.291.06	BOLT M8x55	1
11	05.291.18	BOLT M10x65	1
12	05.292.22	BOLT M12x90	3
13	05.953.01	GREASE NIPPLE M6xStr	2
14	06.430.02	HOSE CLAMP 14 x 14	2
15	06.418.06	FLAT	1
16	45965.01	PIN - KINGPOST 50MM DIA	2
17	46396.04	KINGPOST RH	1
18	46237.01	BUFFER - RUBBER	1
19	05.625.37	SKT CAPSCREW M8x30	2

KINGPOST ASSEMBLY LH - 77.301.07



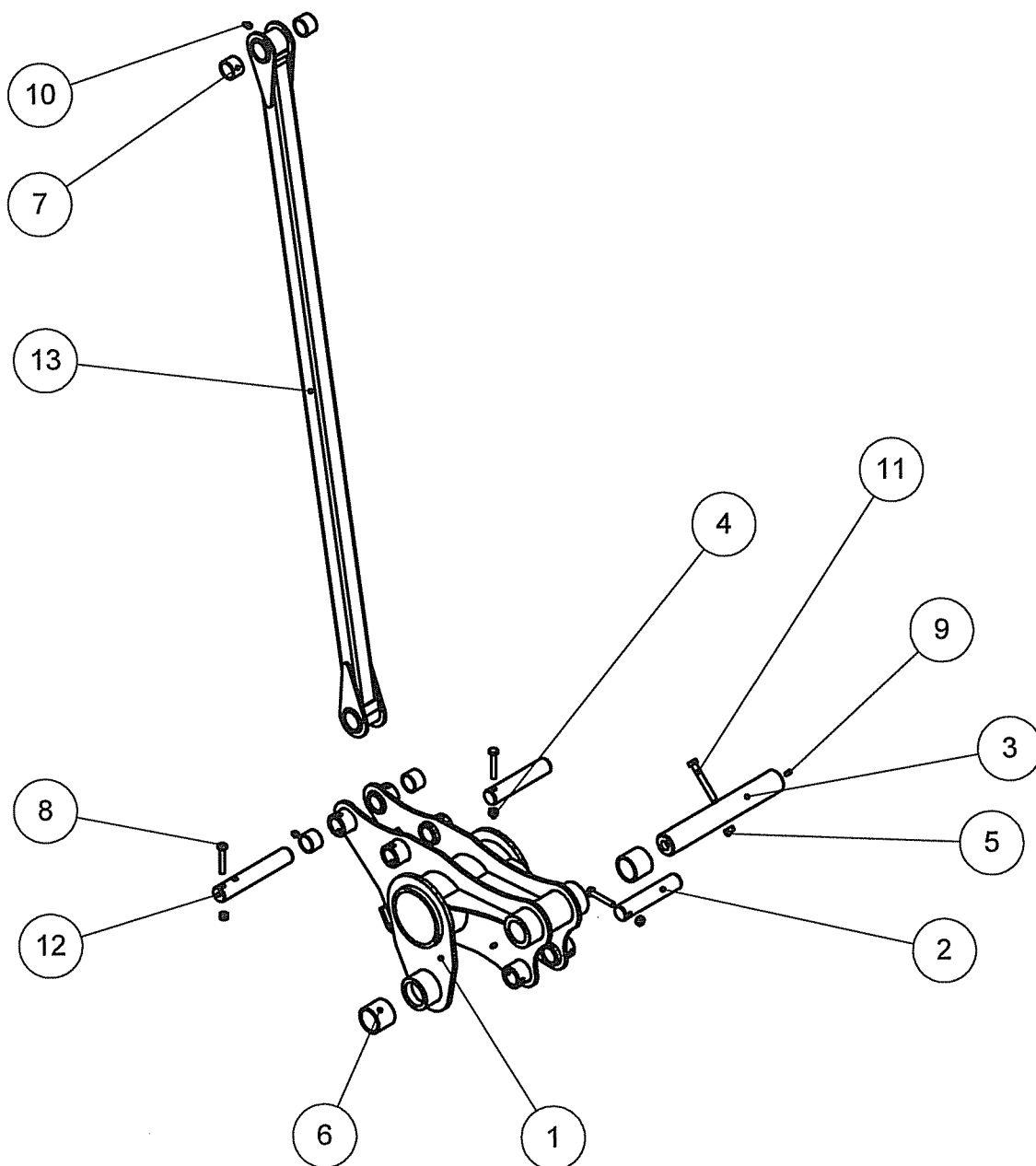
ITEM NO.	PART NUMBER	DESCRIPTION	QTY.
1	03.654.89	PIN 30 DIA X 170	1
2	03.655.64	PIN 35 DIA. x 225	1
3	03.657.24	PIN 50 DIA - 341	1
4	05.287.01	SELF-LOCKING NUT M8	1
5	05.287.02	SELF-LOCKING NUT M10	1
6	05.287.03	SELF-LOCKING NUT M12	3
7	05.291.06	BOLT M8x55	1
8	05.291.18	BOLT M10x65	1
9	05.292.22	BOLT M12x90	3
10	05.953.01	GREASE NIPPLE M6xStr	2
11	45965.01	PIN - KINGPOST 50MM DIA	2
12	46395.03	KINGPOST LH	1

KINGPOST ASSEMBLY RH - 77.301.09



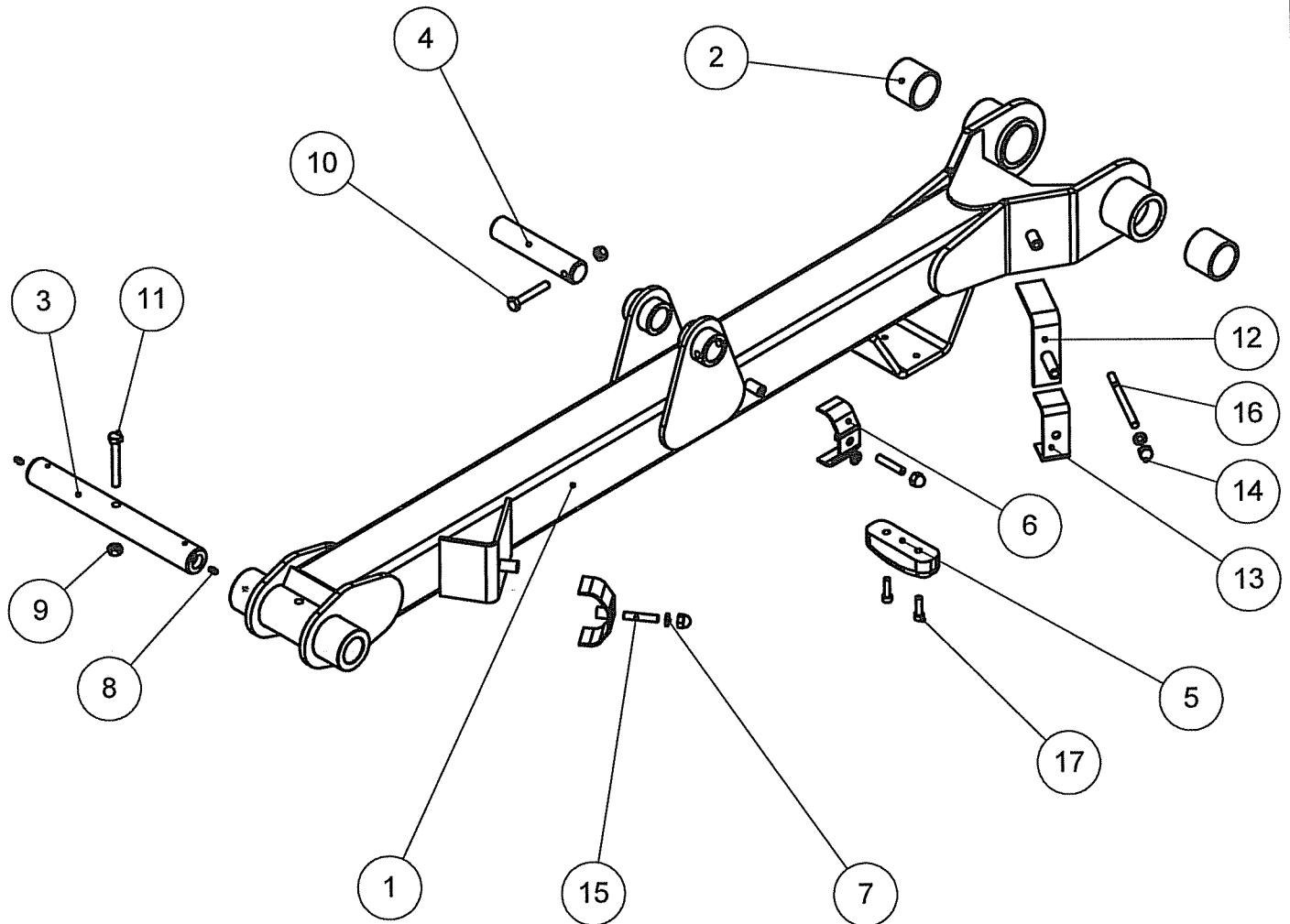
ITEM NO.	PART NUMBER	DESCRIPTION	QTY.
1	03.654.89	PIN 30 DIA X 170	1
2	03.655.64	PIN 35 DIA. x 225	1
3	03.657.24	PIN 50 DIA - 341	1
4	05.287.01	SELF-LOCKING NUT M8	1
5	05.287.02	SELF-LOCKING NUT M10	1
6	05.287.03	SELF-LOCKING NUT M12	3
7	05.291.06	BOLT M8x55	1
8	05.291.18	BOLT M10x65	1
9	05.292.22	BOLT M12x90	3
10	05.953.01	GREASE NIPPLE M6xStr	2
11	45965.01	PIN - KINGPOST 50MM DIA	2
12	46395.04	KINGPOST RH	1

ROCKER AND LINK ASSEMBLY - 77.307.02



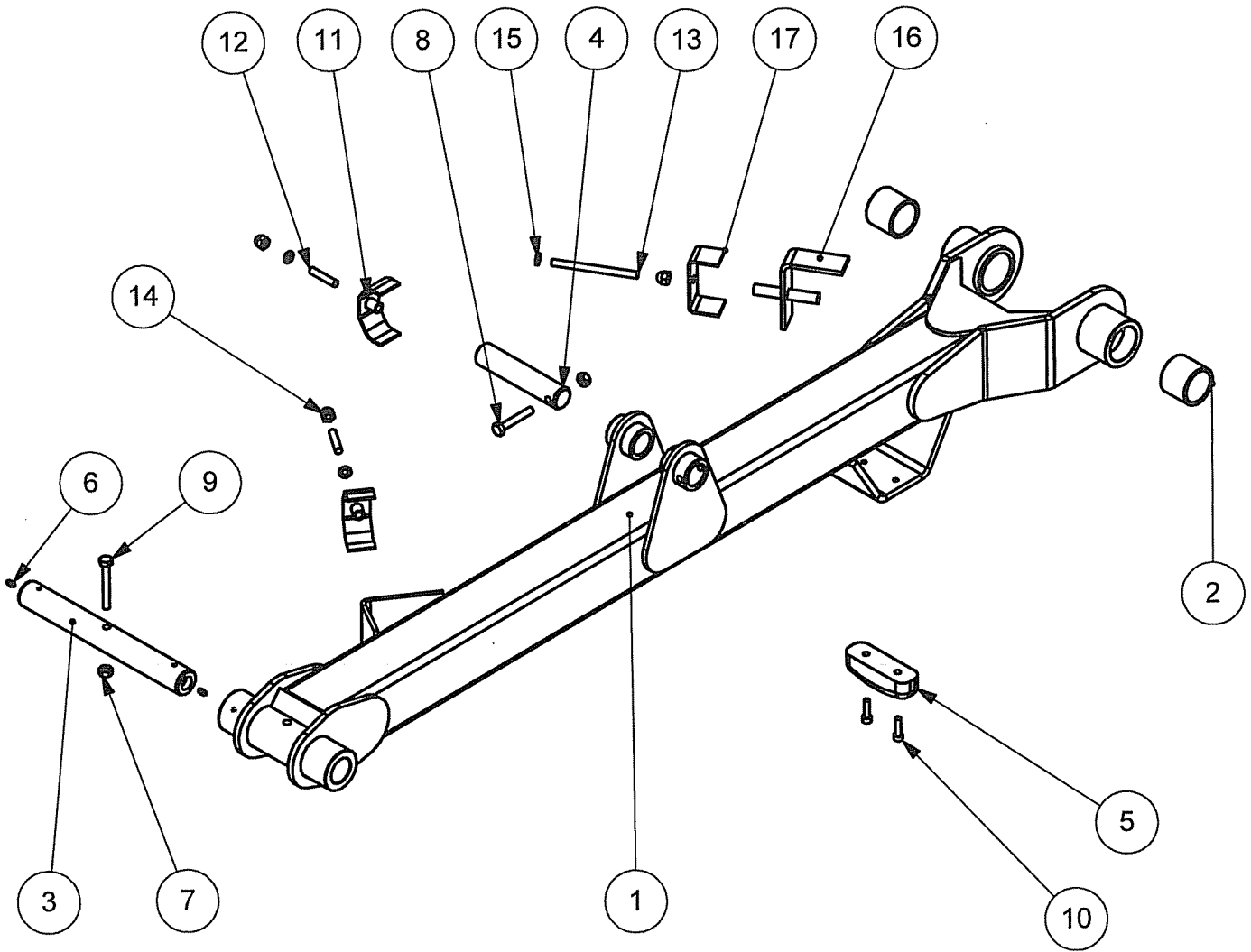
ITEM NO.	PART NUMBER	DESCRIPTION	QTY.
1	46914.02	BRACKET - ROCKER	1
2	03.655.33	PIN	2
3	03.657.24	PIN 50 DIA - 341	1
4	05.287.02	SELF-LOCKING NUT M10	3
5	05.287.03	SELF-LOCKING NUT M12	1
6	08.297.01	BUSH 60x50x50	2
7	08.297.05	BUSH 42x35x30	4
8	05.291.18	BOLT M10x65	3
9	05.953.01	GREASE NIPPLE M6xStr	2
10	05.953.03	GREASE NIPPLE M10xStr	2
11	05.292.22	BOLT M12x90	1
12	03.655.72	PIN 35 DIA X 211	1
13	46952.01	LINK - HARRIER 4.7M	1

ARM ASSY FIRST PAR 5.0 - 77.430.03



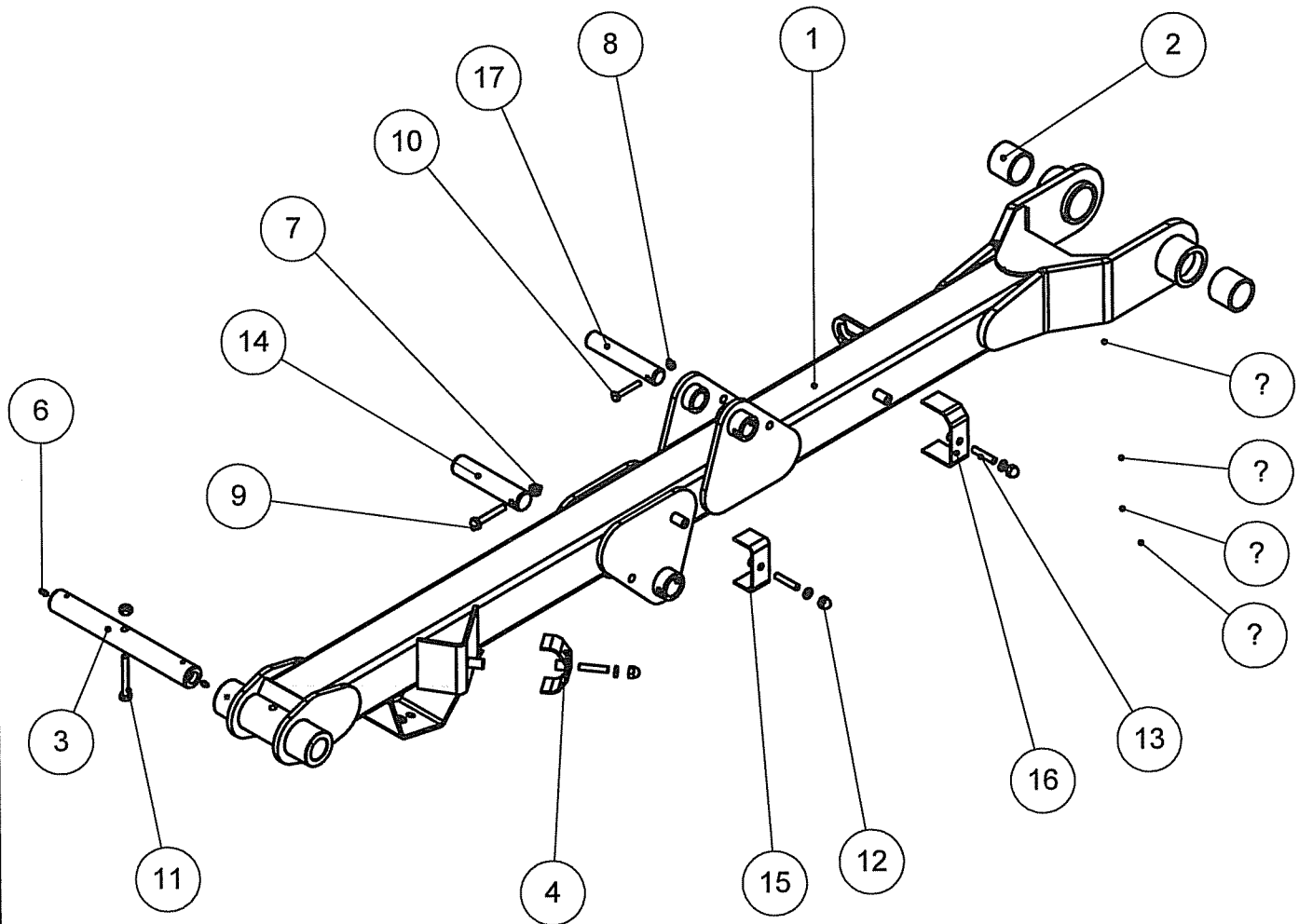
ITEM NO.	PART NUMBER	DESCRIPTION	QTY.
1	47452.01	FIRST ARM - ASSY PAR	1
2	08.297.01	BUSH 60x50x50	2
3	43292.02	PIN Ø40 -328 LONG	1
4	03.655.69	PIN 35	1
5	46237.01	BUFFER - RUBBER	1
6	47636.01	CLAMP - HOSE	2
7	05.282.02	SPRING WASHER M10	3
8	05.953.01	GREASE NIPPLE M6xStr	2
9	05.287.02	SELF-LOCKING NUT M10	2
10	05.291.18	BOLT M10x65	1
11	05.292.11	BOLT M10x80	1
12	47637.01	CLAMP	1
13	47636.03	CLAMP - HOSE	1
14	9100025	M10 DOME NUT	3
15	04.282.80	STUD M10x50	2
16	04.282.77	STUD M10X130	1
17	05.625.37	SKT CAPSCREW M8x30	2

ARM ASSY FIRST RH PAR - 77.430.04



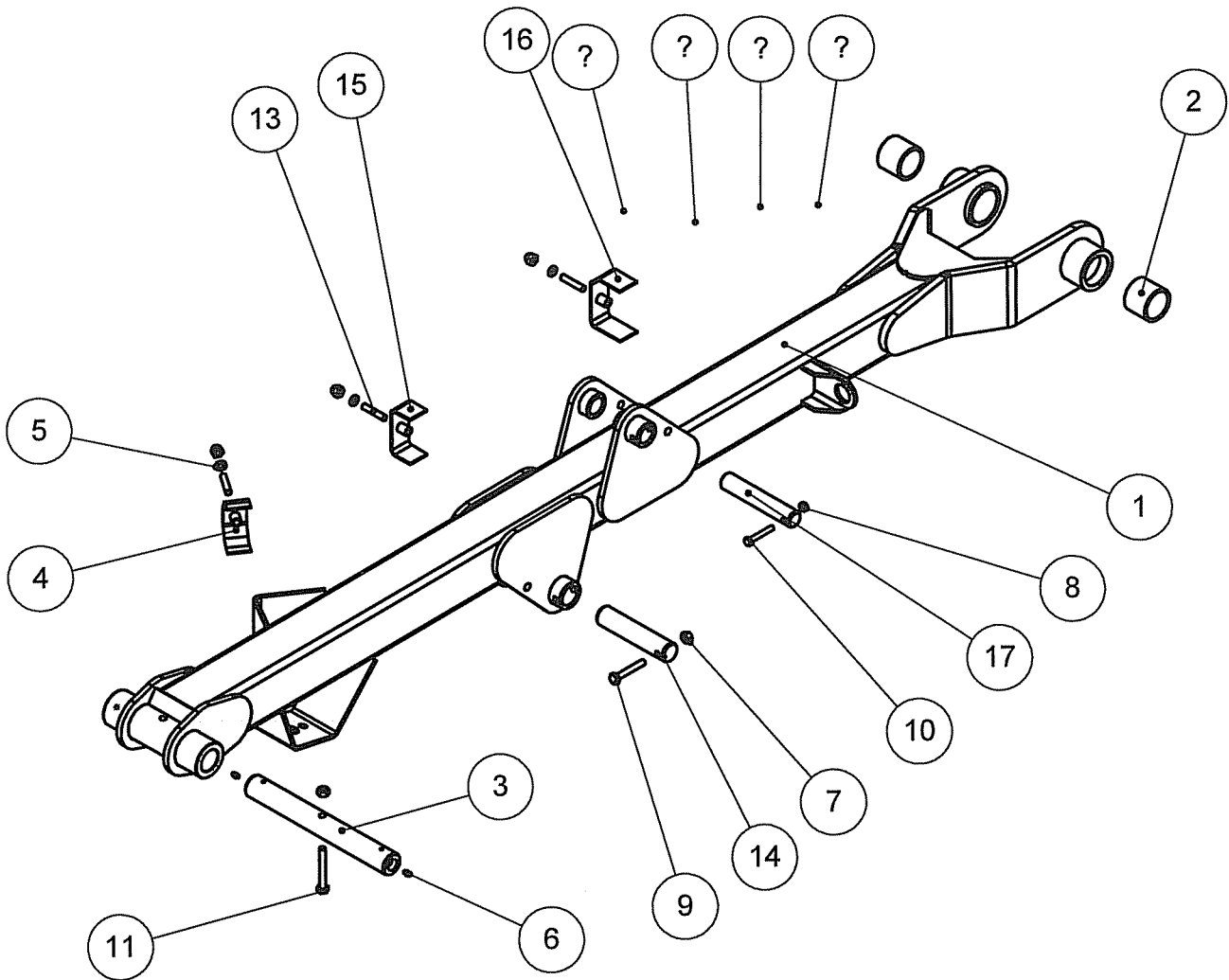
ITEM NO.	PART NUMBER	DESCRIPTION	QTY.
1	47452.02	FIRST ARM - PAR 5.0 KESTREL	1
2	08.297.01	BUSH 60x50x50	2
3	43292.02	PIN Ø40 -328 LONG	1
4	03.655.69	PIN 35	1
5	46237.01	BUFFER - RUBBER	1
6	05.953.01	GREASE NIPPLE M6xStr	2
7	05.287.02	SELF-LOCKING NUT M10	2
8	05.291.18	BOLT M10x65	1
9	05.292.11	BOLT M10x80	1
10	05.625.37	SKT CAPSCREW M8x30	2
11	47636.01	CLAMP - HOSE	2
12	04.282.80	STUD M10x50	2
13	04.282.77	STUD M10X130	1
14	9100025	M10 DOME NUT	3
15	05.282.02	SPRING WASHER M10	3
16	47637.01	CLAMP	1
17	47636.03	CLAMP - HOSE	1

ARM ASSEMBLY FIRST LH - 77.353.03



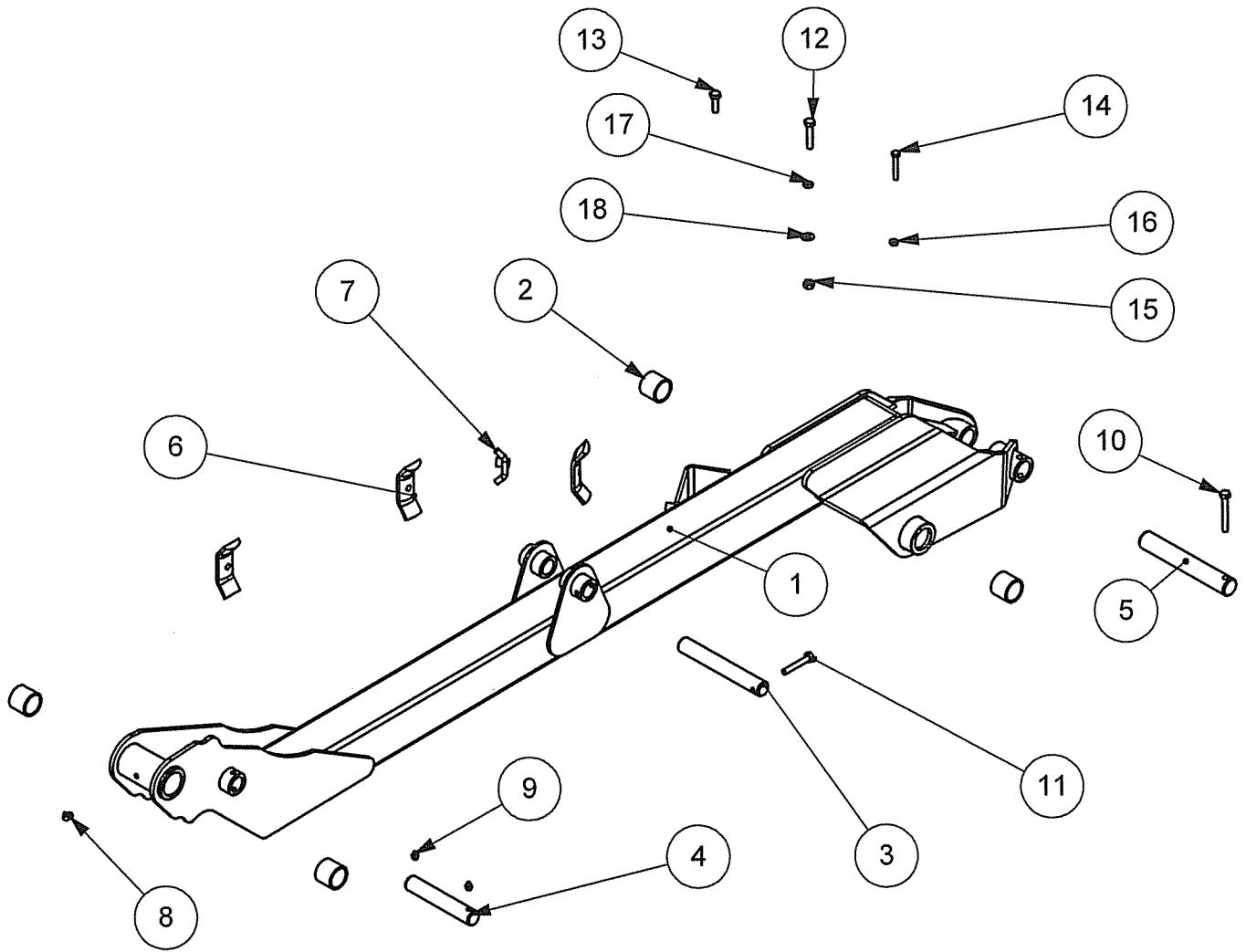
ITEM NO.	PART NUMBER	DESCRIPTION	QTY.
1	46997.03	ARM - FIRST LH	1
2	08.297.01	BUSH 60x50x50	2
3	43292.02	PIN Ø40 -328 LONG	1
4	47636.01	CLAMP - HOSE	1
5	05.282.02	SPRING WASHER M10	3
6	05.953.01	GREASE NIPPLE M6xStr	2
7	05.287.02	SELF-LOCKING NUT M10	2
8	05.287.01	SELF-LOCKING NUT M8	1
9	05.291.18	BOLT M10x65	1
10	05.291.06	BOLT M8x55	1
11	05.292.11	BOLT M10x80	1
12	9100025	M10 DOME NUT	3
13	04.282.80	STUD M10x50	3
14	03.655.25	PIN 35 DIA. x 158	1
15	47636.04	CLAMP - HOSE	1
16	47636.06	CLAMP - HOSE	1
17	03.654.60	PIN 30 DIA X 164	1

ARM ASSY FIRST RH - 77.353.04



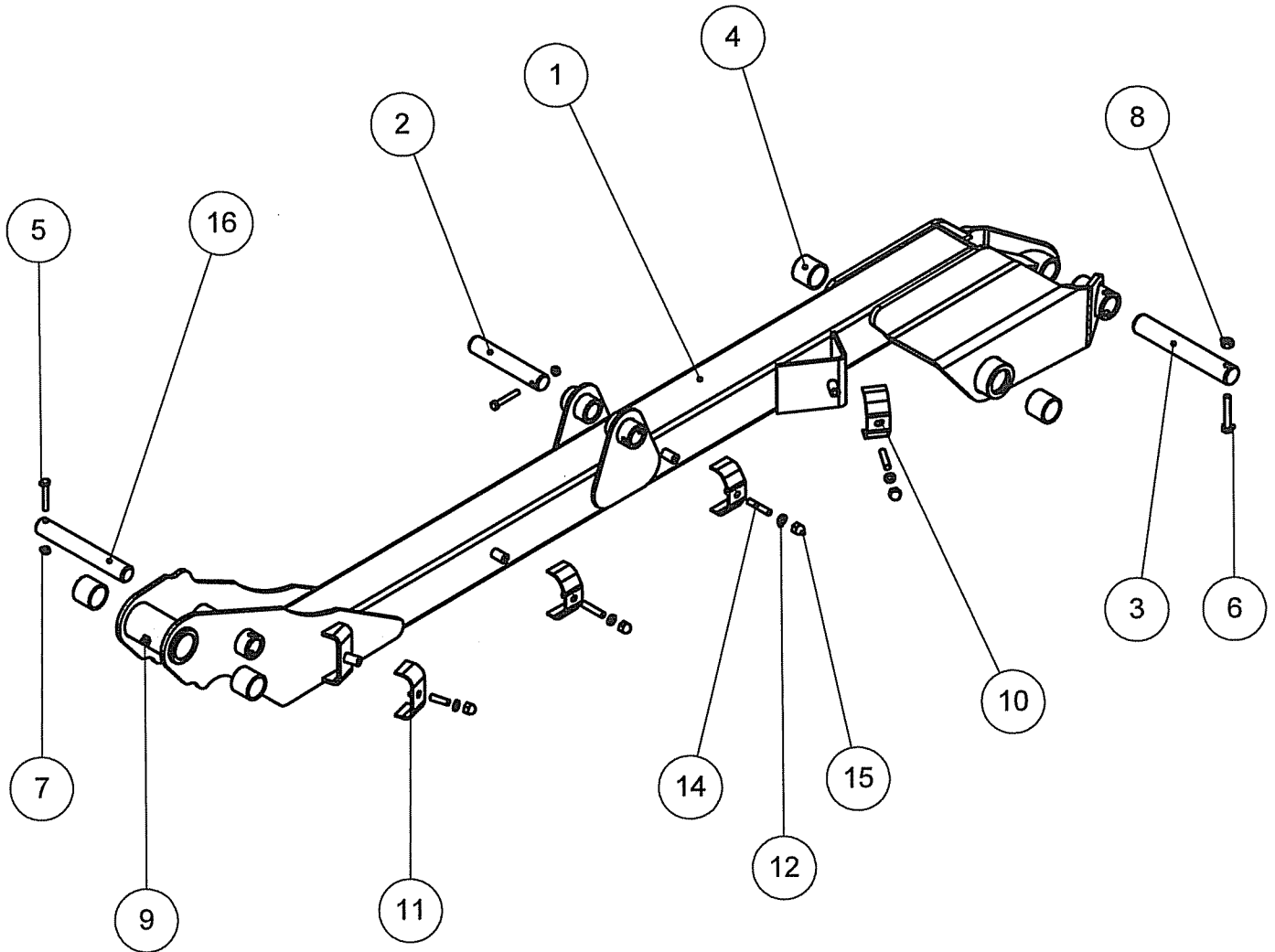
ITEM NO.	PART NUMBER	DESCRIPTION	QTY.
1	46997.04	ARM - SECOND RH	1
2	08.297.01	BUSH 60x50x50	2
3	43292.02	PIN Ø40 -328 LONG	1
4	47636.01	CLAMP - HOSE	1
5	05.282.02	SPRING WASHER M10	3
6	05.953.01	GREASE NIPPLE M6xStr	2
7	05.287.02	SELF-LOCKING NUT M10	2
8	05.287.01	SELF-LOCKING NUT M8	1
9	05.291.18	BOLT M10x65	1
10	05.291.06	BOLT M8x55	1
11	05.292.11	BOLT M10x80	1
12	9100025	M10 DOME NUT	3
13	04.282.80	STUD M10x50	3
14	03.655.25	PIN 35 DIA. x 158	1
15	47636.04	CLAMP - HOSE	1
16	47636.06	CLAMP - HOSE	1
17	03.654.60	PIN 30 DIA X 164	1

SECOND ARM ASSY PAR - 77.431.02



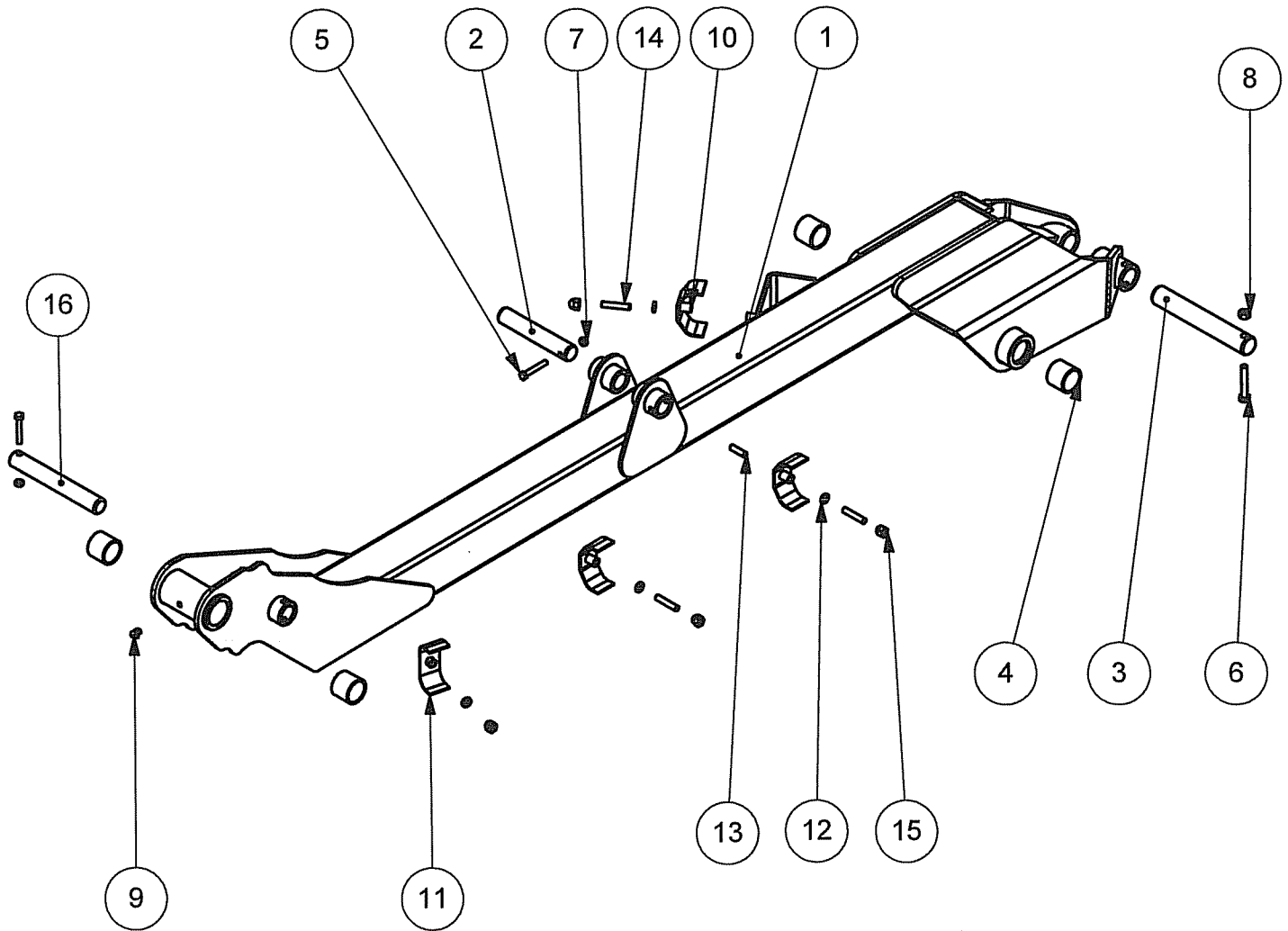
ITEM NO.	PART NUMBER	DESCRIPTION	QTY.
1	47457.02	SECOND ARM - 5.0 PAR KESTREL	1
2	08.297.02	BUSH 47x40x40	4
3	03.654.79	PIN 30 DIA X 214	1
4	03.654.89	PIN 30 DIA X 170	1
5	03.655.68	PIN Ø40 -328 LONG	1
6	42546.01	CLAMP - PLATE	3
7	42546.02	CLAMP - HOSE	1
8	05.953.04	GREASE NIPPLE M10x90 deg	1
9	05.953.03	GREASE NIPPLE M10xStr	2
10	05.292.11	BOLT M10x80	1
11	05.291.18	BOLT M10x65	1
12	05.291.16	BOLT M10x55	1
13	05.291.12	BOLT M10x35	3
14	05.291.06	BOLT M8x55	2
15	05.287.02	SELF-LOCKING NUT M10	2
16	05.287.01	SELF-LOCKING NUT M8	2
17	05.282.02	SPRING WASHER M10	4
18	05.281.02	FLAT WASHER M10	4

ARM ASSY - SECOND PAR 5.0 - 77.431.03



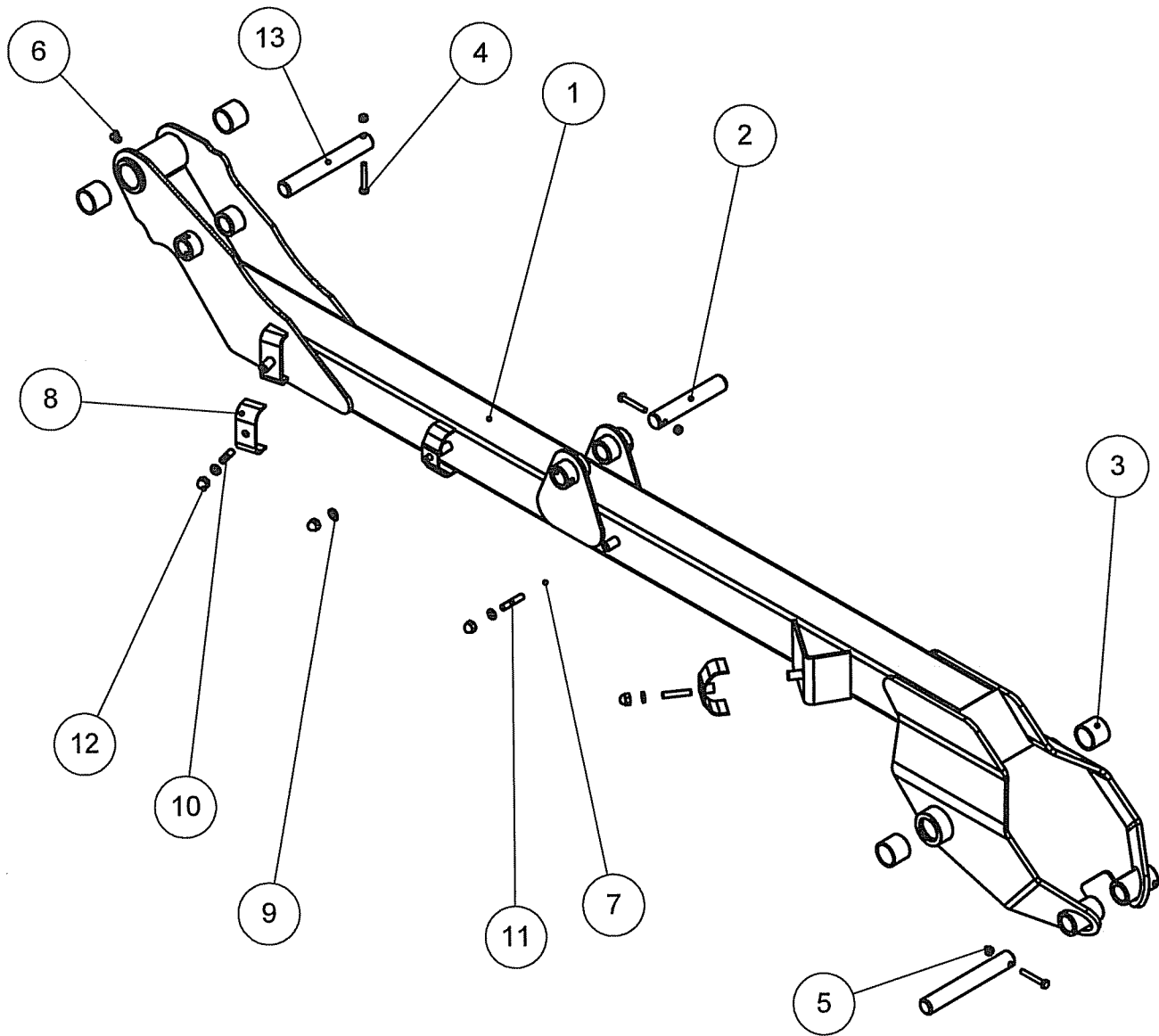
ITEM NO.	PART NUMBER	DESCRIPTION	QTY.
1	47457.01	SECOND ARM PAR KESTREL	1
2	03.654.89	PIN 30 DIA X 170	1
3	03.655.68	PIN Ø40 -328 LONG	1
4	08.297.02	BUSH 47x40x40	4
5	05.291.06	BOLT M8x55	2
6	05.291.18	BOLT M10x65	1
7	05.287.01	SELF-LOCKING NUT M8	2
8	05.287.02	SELF-LOCKING NUT M10	1
9	05.953.04	GREASE NIPPLE M10x90 deg	1
10	47636.01	CLAMP - HOSE	3
11	47636.02	CLAMP - HOSE	1
12	05.282.02	SPRING WASHER M10	4
13	03.100.01	STUD M10x34	1
14	04.282.80	STUD M10x50	3
15	9100025	M10 DOME NUT	4
16	03.654.79	PIN 30 DIA X 214	1

ARM ASSY SECOND RH PAR - 77.431.04



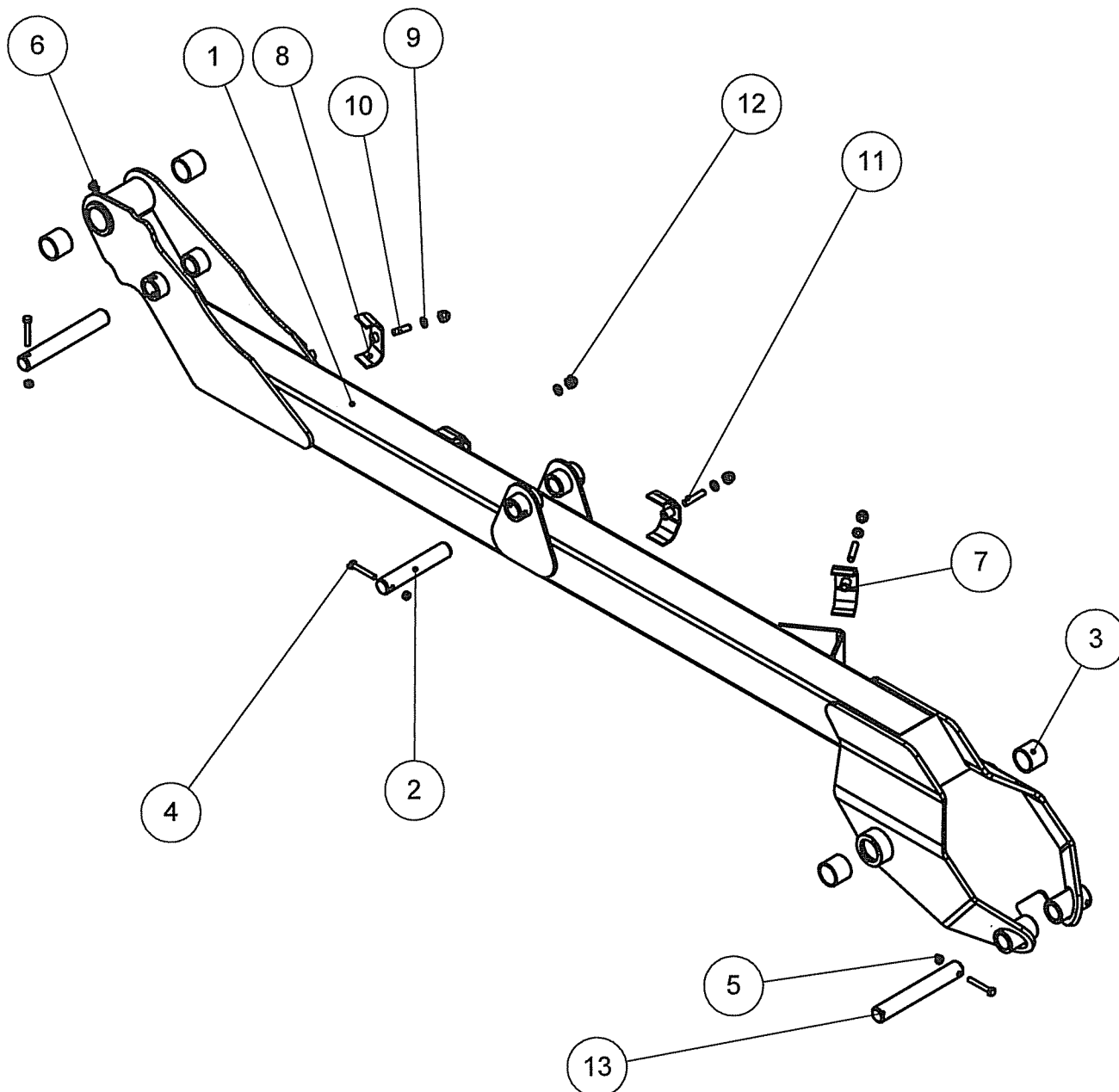
ITEM NO.	PART NUMBER	DESCRIPTION	QTY.
1	47457.02	SECOND ARM - 5.0 PAR KESTREL	1
2	03.654.89	PIN 30 DIA X 170	1
3	03.655.68	PIN Ø40 -328 LONG	1
4	08.297.02	BUSH 47x40x40	4
5	05.291.06	BOLT M8x55	2
6	05.291.18	BOLT M10x65	1
7	05.287.01	SELF-LOCKING NUT M8	2
8	05.287.02	SELF-LOCKING NUT M10	1
9	05.953.04	GREASE NIPPLE M10x90 deg	1
10	47636.01	CLAMP - HOSE	3
11	47636.02	CLAMP - HOSE	1
12	05.282.02	SPRING WASHER M10	4
13	03.100.01	STUD M10x34	1
14	04.282.80	STUD M10x50	3
15	9100025	M10 DOME NUT	4
16	03.654.79	PIN 30 DIA X 214	1

ARM ASSEMBLY SECOND LH - 77.354.03



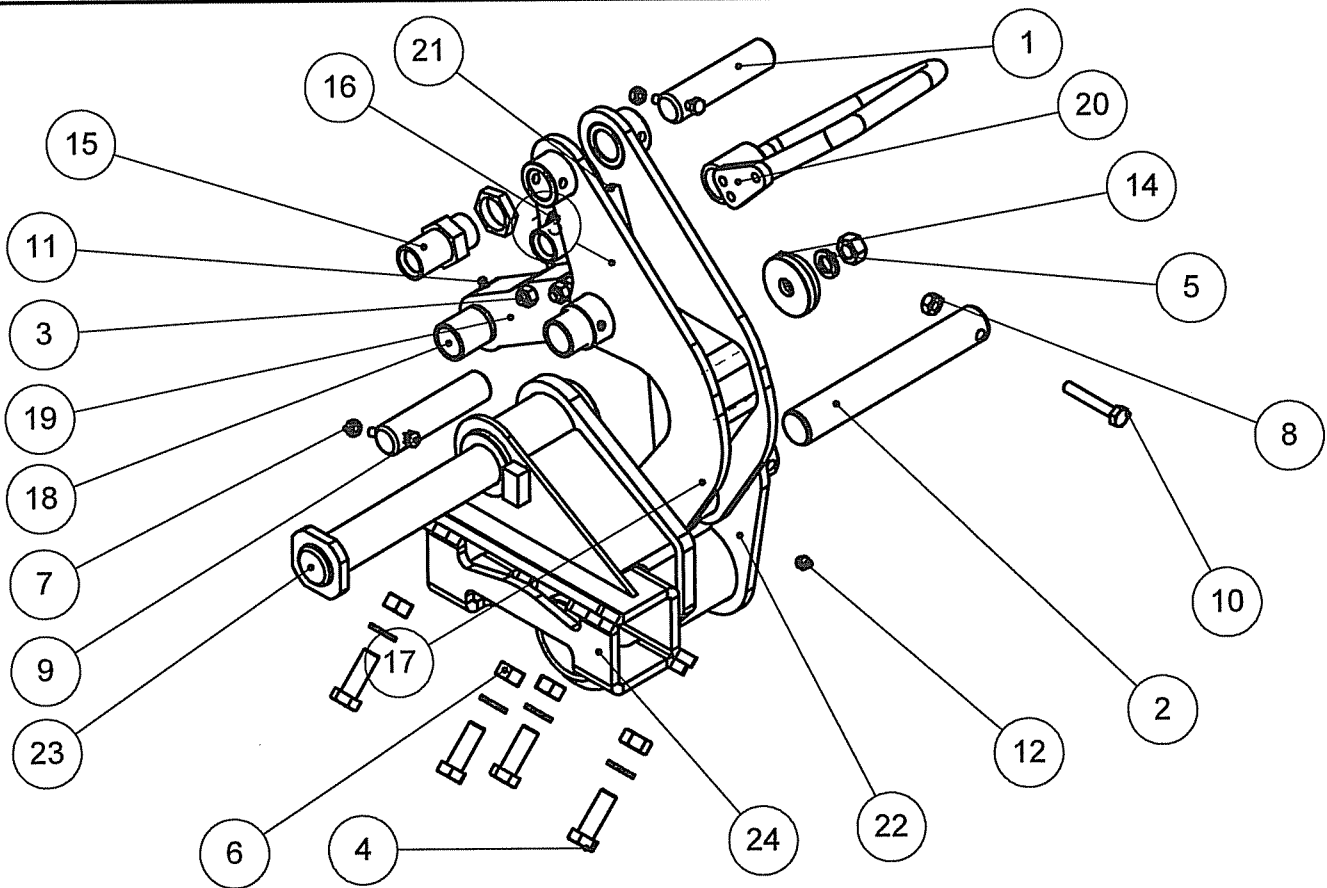
ITEM NO.	PART NUMBER	DESCRIPTION	QTY.
1	46998.03	ARM - SECOND LH	1
2	03.654.89	PIN 30 DIA X 170	1
3	08.297.02	BUSH 47x40x40	4
4	05.291.06	BOLT M8x55	3
5	05.287.01	SELF-LOCKING NUT M8	3
6	05.953.04	GREASE NIPPLE M10x90 deg	1
7	47636.01	CLAMP - HOSE	3
8	47636.02	CLAMP - HOSE	1
9	05.282.02	SPRING WASHER M10	4
10	03.100.01	STUD M10x34	1
11	04.282.80	STUD M10x50	3
12	9100025	M10 DOME NUT	4
13	03.654.79	PIN 30 DIA X 214	2

ARM ASSY SECOND RH - 77.354.04



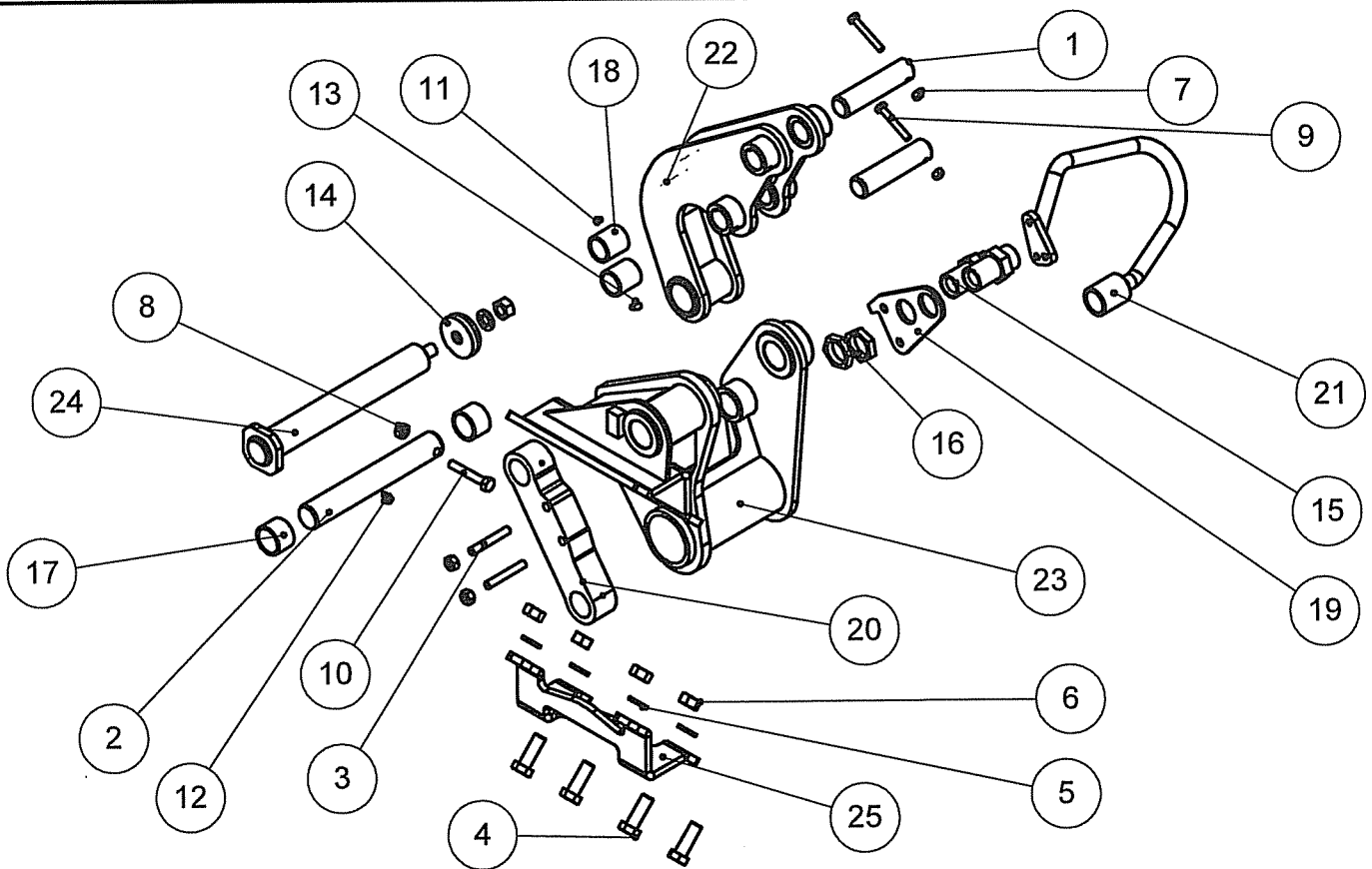
ITEM NO.	PART NUMBER	DESCRIPTION	QTY.
1	46998.04	ARM - SECOND RH	1
2	03.654.89	PIN 30 DIA X 170	1
3	08.297.02	BUSH 47x40x40	4
4	05.291.06	BOLT M8x55	3
5	05.287.01	SELF-LOCKING NUT M8	3
6	05.953.04	GREASE NIPPLE M10x90 deg	1
7	47636.01	CLAMP - HOSE	3
8	47636.02	CLAMP - HOSE	1
9	05.282.02	SPRING WASHER M10	4
10	03.100.01	STUD M10x34	1
11	04.282.80	STUD M10x50	3
12	9100025	M10 DOME NUT	4
13	03.654.79	PIN 30 DIA X 214	2

COWL BRKT ASSY LH - 77.182.01



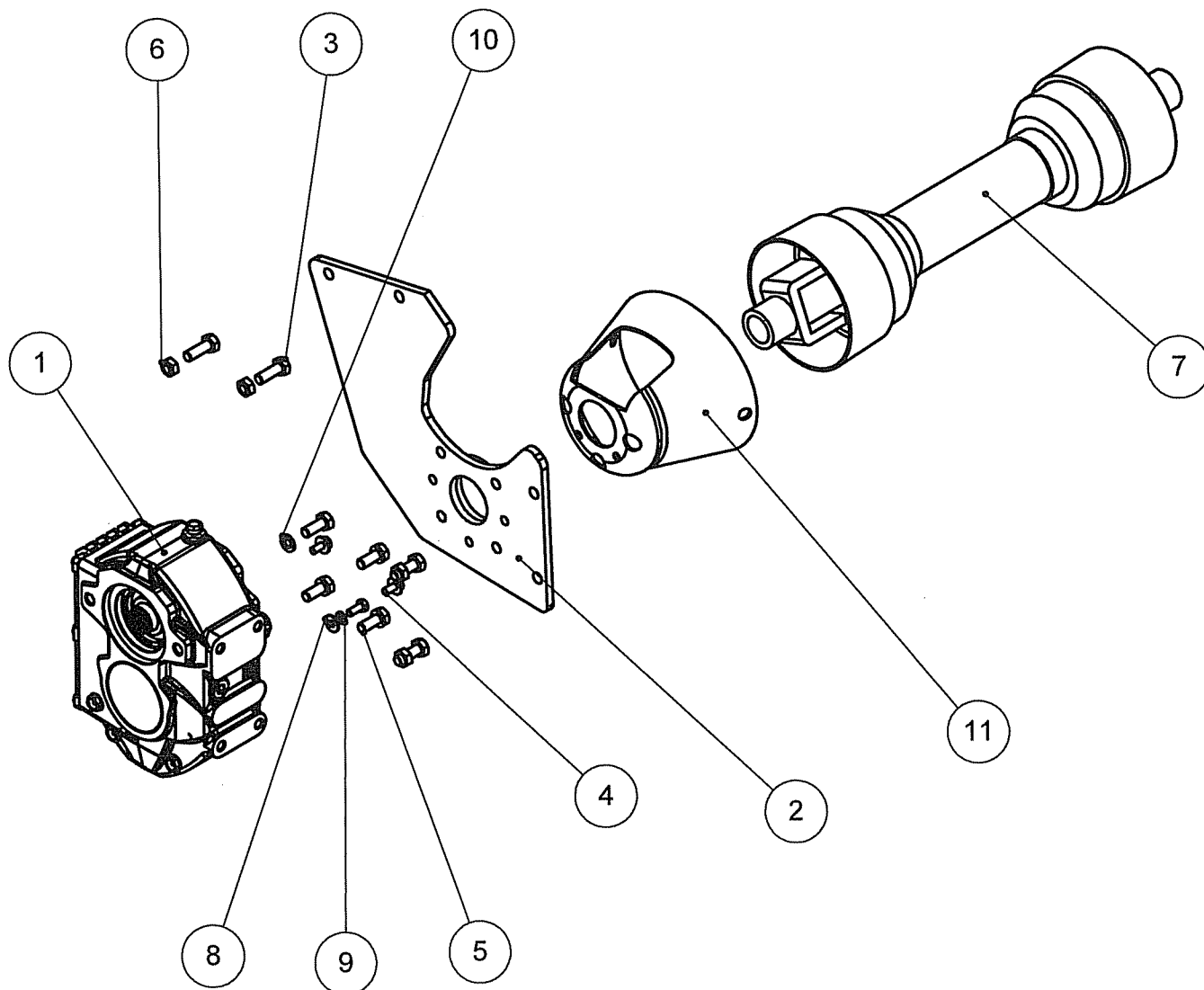
ITEM NO.	PART NUMBER	DESCRIPTION	QTY.
1	03.654.59	PIN 30 DIA X 128	2
2	03.655.63	PIN - 35 DIA. x 240	1
3	04.282.76	STUD M10X70	2
4	05.264.36	SETSCREW M16x45	4
5	05.282.04	SPRING WASHER M16	5
6	05.286.04	NUT M16	5
7	05.287.01	SELF-LOCKING NUT M8	2
8	05.287.02	SELF-LOCKING NUT M10	3
9	05.291.06	BOLT M8x55	2
10	05.291.18	BOLT M10x65	1
11	05.953.01	GREASE NIPPLE M6xStr	1
12	05.953.03	GREASE NIPPLE M10xStr	1
13	05.953.05	GREASE NIPPLE M6x90 deg	1
14	07.942.03	SPECIAL WASHER - M16	1
15	08.128.03-32		2
16	08.128.03-31	NUT 1" BSP THIN	2
17	08.297.05	BUSH 42x35x30	2
18	08.297.10	BUSH 37x30x40	2
19	45950.01	LINK - COWL	1
20	45954.01	GUARD - BULKHEAD	1
21	46090.01	LINK - COWL	1
22	46250.01	BRACKET - COWL LH	1
23	46251.01	PIN COWL PIVOT 40 DIA.	1
24	46273.01	CLAMPING PLATE	1
25	45491.01	PLATE	1

COWL BRKT ASSY RH - 77.182.02



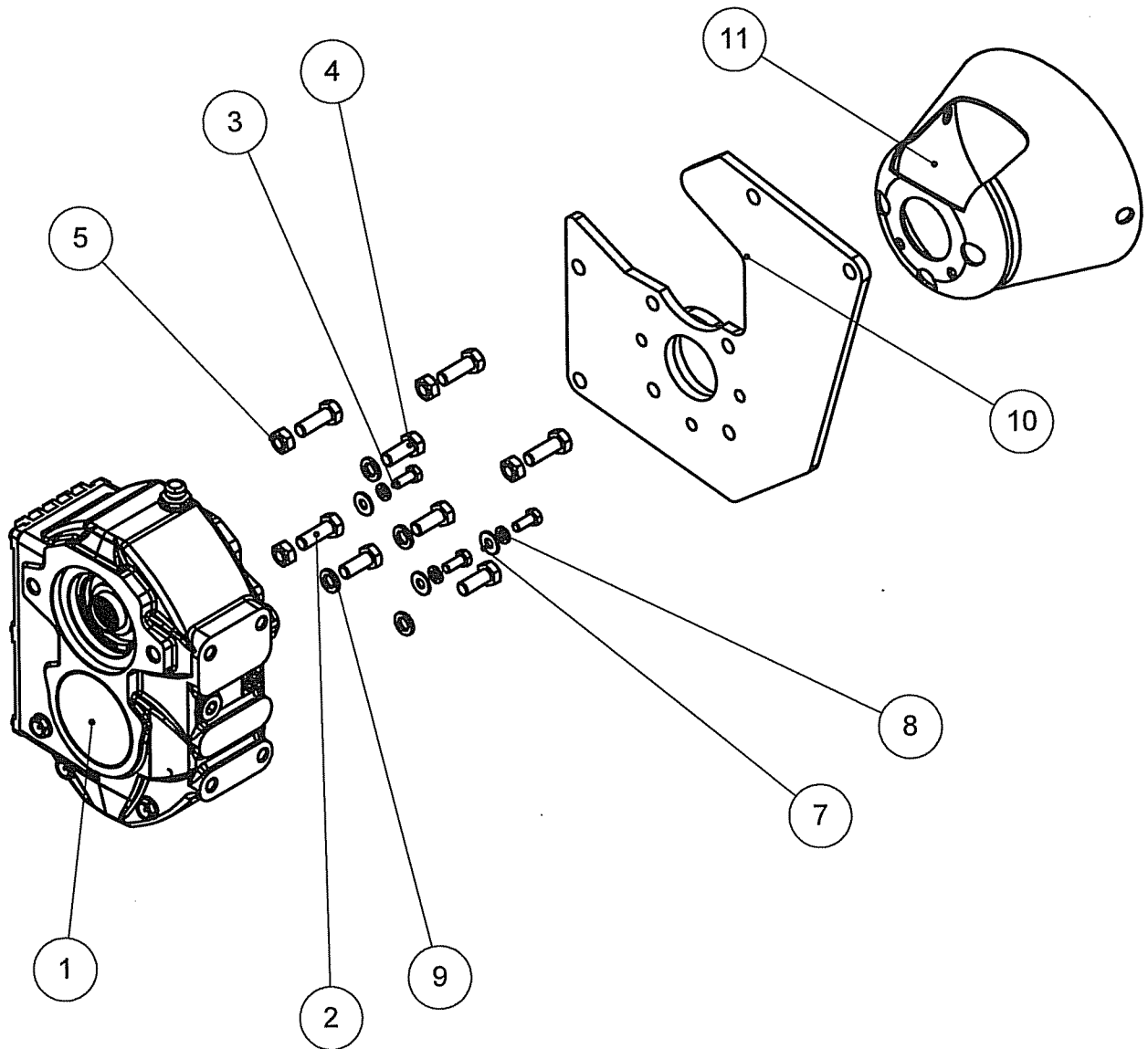
ITEM NO.	PART NUMBER	DESCRIPTION	QTY.
1	03.654.59	PIN 30 DIA X 128	2
2	03.655.63	PIN - 35 DIA. x 240	1
3	04.282.76	STUD M10X70	2
4	05.264.36	SETSCREW M16x45	4
5	05.282.04	SPRING WASHER M16	5
6	05.286.04	NUT M16	5
7	05.287.01	SELF-LOCKING NUT M8	2
8	05.287.02	SELF-LOCKING NUT M10	3
9	05.291.06	BOLT M8x55	2
10	05.291.18	BOLT M10x65	1
11	05.953.01	GREASE NIPPLE M6xStr	1
12	05.953.03	GREASE NIPPLE M10xStr	1
13	05.953.05	GREASE NIPPLE M6x90 deg	1
14	07.942.03	SPECIAL WASHER - M16	1
15	08.128.03-32		2
16	08.128.03-31	NUT 1" BSP THIN	2
17	08.297.05	BUSH 42x35x30	2
18	08.297.10	BUSH 37x30x40	2
19	45491.01	PLATE	1
20	45950.01	LINK - COWL	1
21	45954.01	GUARD - BULKHEAD	1
22	46090.01	LINK - COWL	1
23	46250.02	BRACKET - COWL RH	1
24	46251.01	PIN COWL PIVOT 40 DIA.	1
25	46273.01	CLAMPING PLATE	1

PTO AND GEARBOX ASSEMBLY - 77.472.01



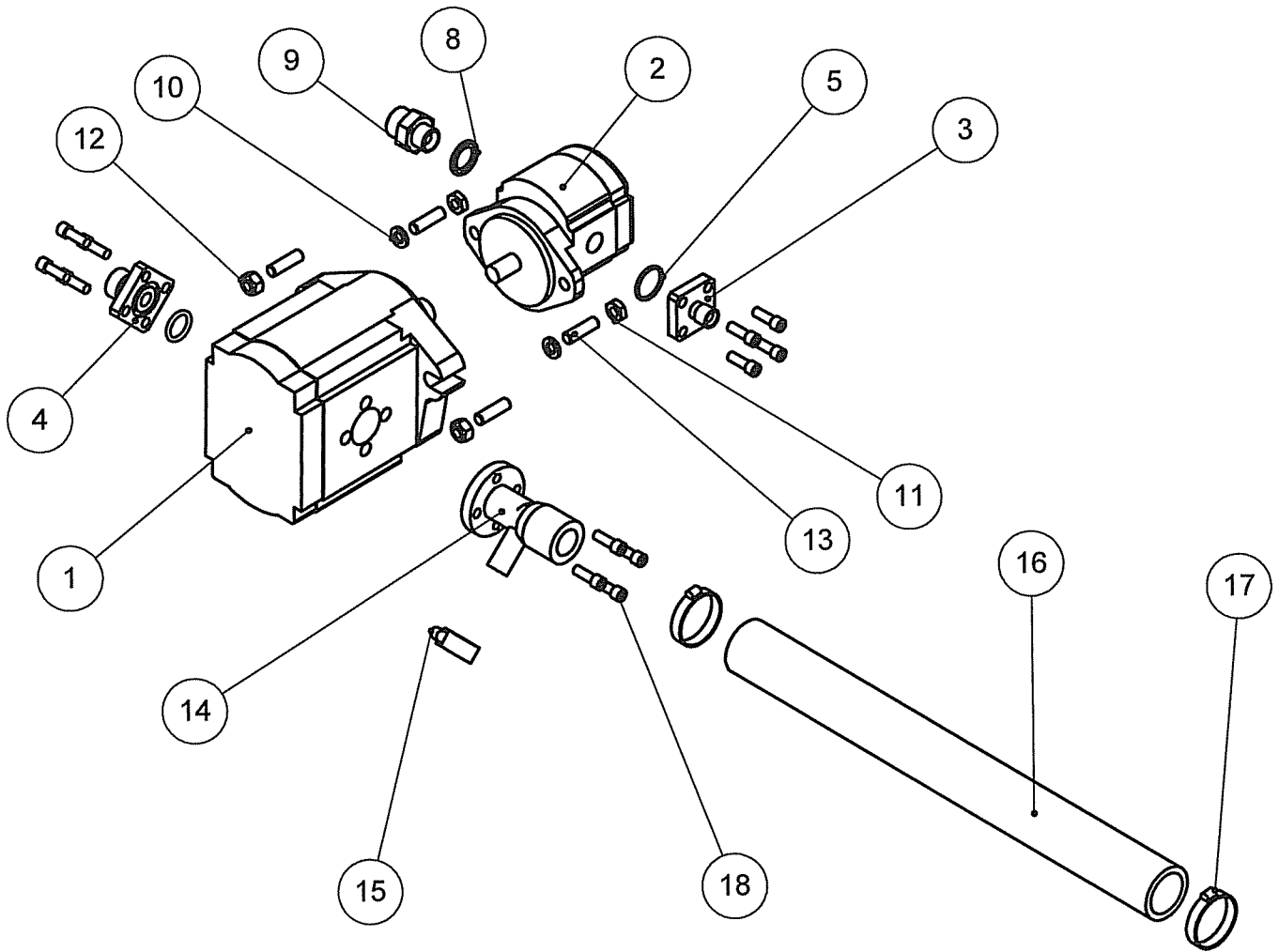
ITEM NO.	PART NUMBER	DESCRIPTION	QTY.
1	47487.04	GEARBOX 3.6 : 1	1
2	47492.01	GEARBOX MTG PLATE	1
3	05.264.24	SETSCREW M12x35	4
4	05.264.01	SETSCREW M8x20	3
5	05.264.23	SETSCREW M12x30	4
6	05.287.03	SELF-LOCKING NUT M12	4
7	41624.01	PTO (560CC) T50 SERIES	1
8	05.281.01	FLAT WASHER M8	3
9	05.282.01	SPRING WASHER M8	3
10	05.282.03	SPRING WASHER M12	4
11	08.548.03	PLASTIC PTO CUP	1

GEARBOX /PTO ASSEMBLY RH - 77.472.02



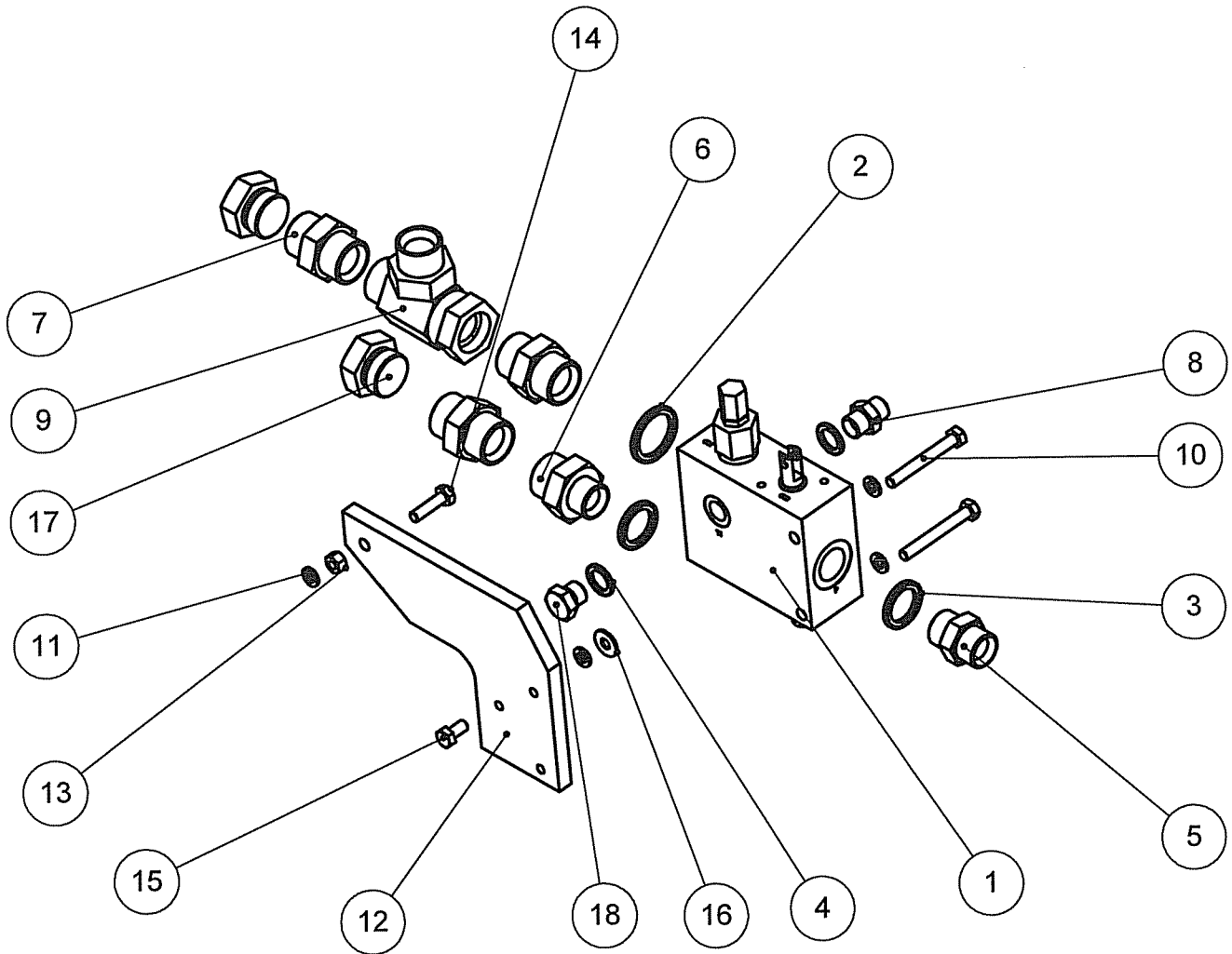
ITEM NO.	PART NUMBER	DESCRIPTION	QTY.
1	47487.04	GEARBOX 3.6 : 1	1
2	05.264.24	SETSCREW M12x35	4
3	05.264.01	SETSCREW M8x20	3
4	05.264.23	SETSCREW M12x30	4
5	05.287.03	SELF-LOCKING NUT M12	4
6	41624.01	PTO (560CC) T50 SERIES	1
7	05.281.01	FLAT WASHER M8	3
8	05.282.01	SPRING WASHER M8	3
9	05.282.03	SPRING WASHER M12	4
10	47492.02	GEARBOX MTG PLATE	1
11	08.548.03	PLASTIC PTO CUP	1

PUMPS ASSEMBLY - 77.473.01



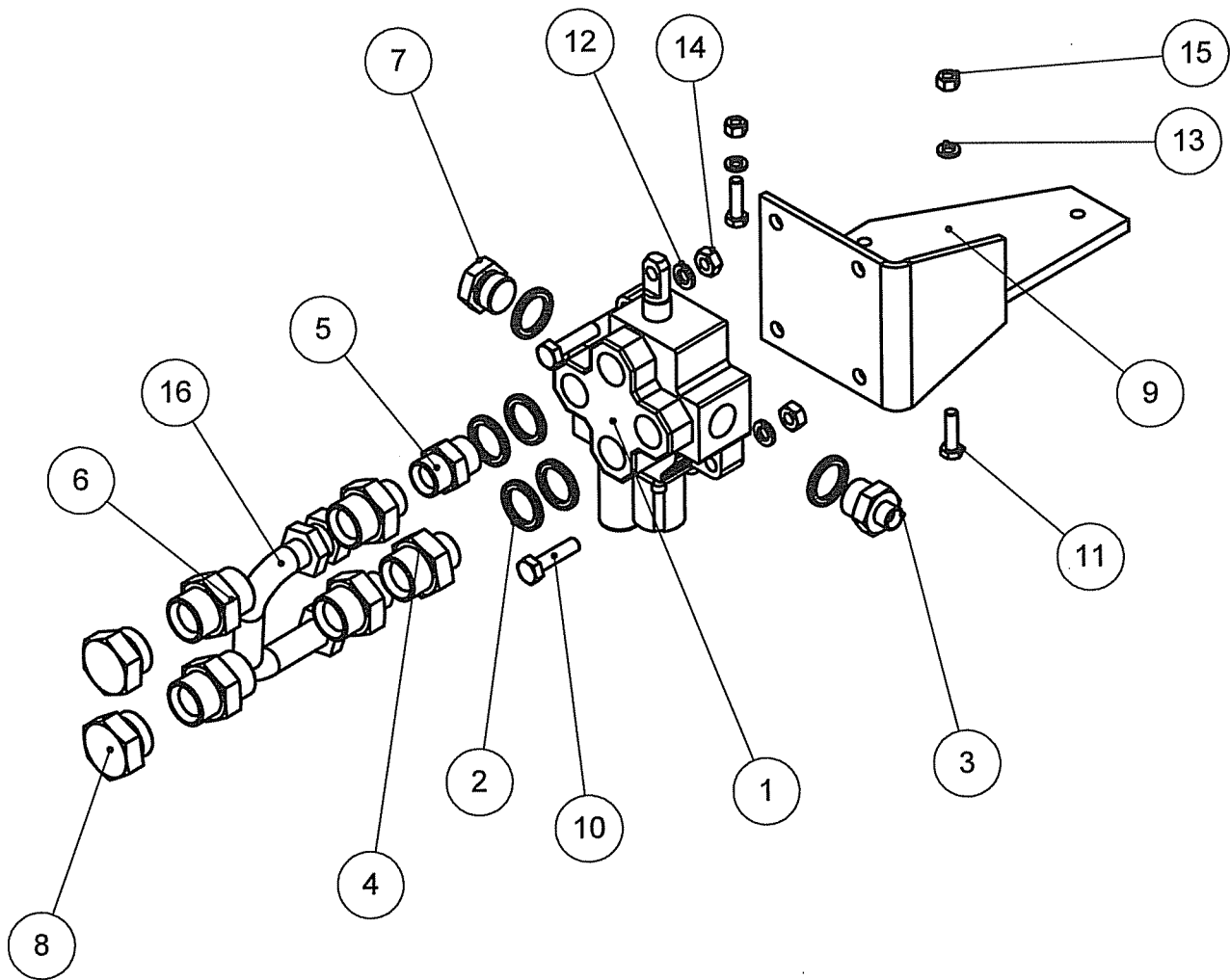
ITEM NO.	PART NUMBER	DESCRIPTION	QTY.
1	05.650.05	PUMP 333.9111.244	1
2	09.537.21	PUMP GEAR 1PX070	1
3	09.745.01	ADAPTOR FLANGE 3/8"	1
4	03.864.01	03.864.01	1
5	30.210.92	O RING 200 121 4490	1
6	05.656.01	O RING 28 I/D X 2.5	1
7	05.656.03	O RING 25 I/D X 3.53	1
8	05.290.05	BONDED SEAL 1/2" BSP	1
9	05.376.01	ADAPTOR 1/2"BSPx3/4"BSP	1
10	05.282.02	SPRING WASHER M10	2
11	9133005	NUT M10	2
12	05.287.02	SELF-LOCKING NUT M10	2
13	03.100.01	STUD M10x34	4
14	06.251.01	ADAPTER INLET	1
15	05.863.03	JUBILEE CLIP 20-32 DIA	1
16	10.024.17	HOSE 1.1/2" PLAIN 500	1
17	47603.01	CLAMP - MIKALOR	2
18	05.657.01	SOCKET CAPSCREW 5/16" X 7/8	12

PUMP CIRCUIT CABLE - 77.470.01



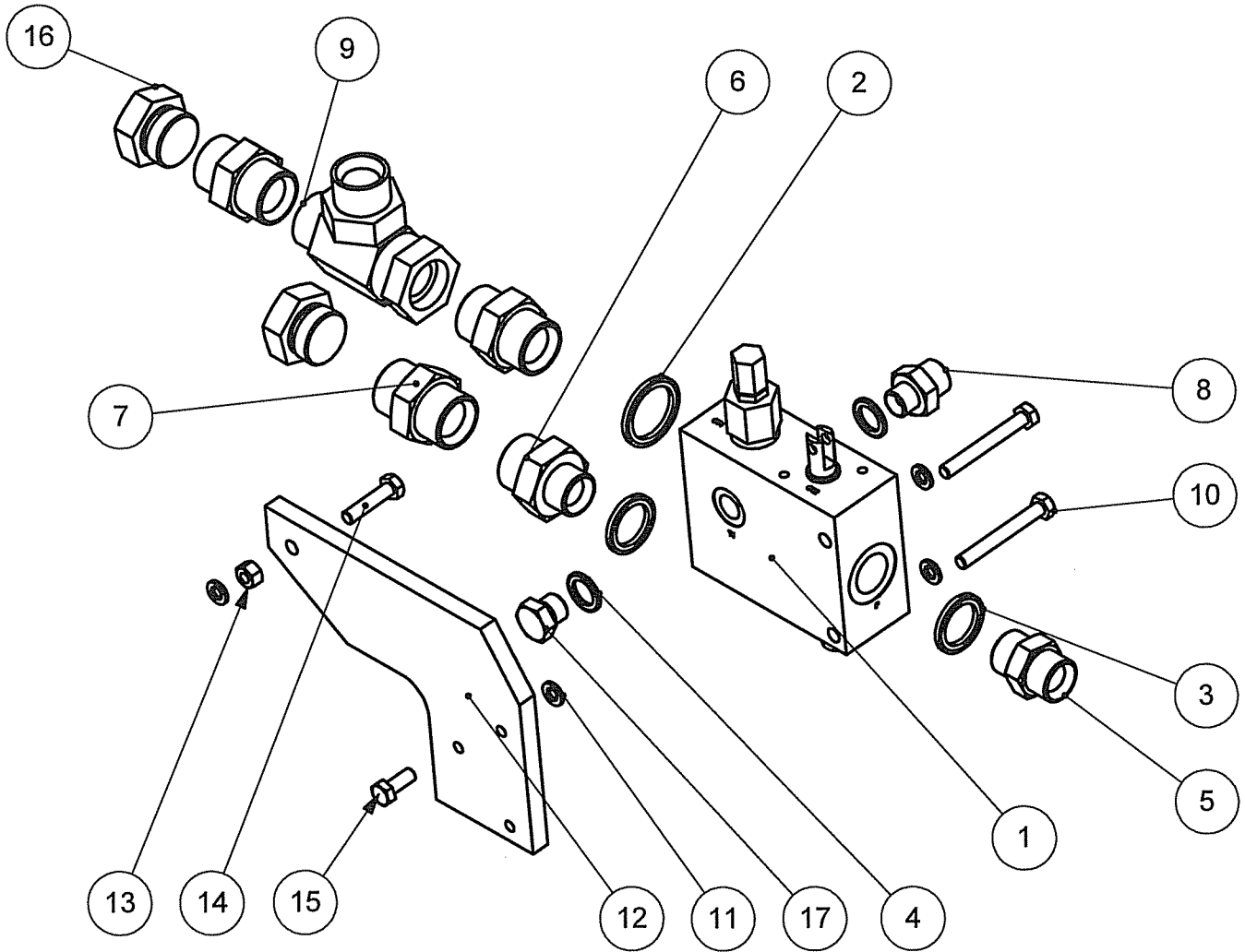
ITEM NO.	PART NUMBER	DESCRIPTION	Default/QTY.
1	06.284.16	DIVERTOR / RELIEF ASSY 209 BAR	1
2	05.290.07	BONDED SEAL 1" BSP	1
3	05.290.06	BONDED SEAL 3/4" BSP	2
4	05.290.04	BONDED SEAL 3/8" BSP	2
5	05.377.01	ADAPTOR 3/4"BSPx3/4"BSP	1
6	05.373.01	ADAPTOR 3/4"BSPx1"BSP	1
7	05.434.01	ADAPTOR 1"BSPx1"BSP	3
8	05.124.01	ADAPTOR 3/8"BSPx3/8"BSP	1
9	04.056.02	TEE ADAPTOR FMM	1
10	05.291.08	BOLT M8x65	2
11	05.282.01	SPRING WASHER M8	4
12	47695.01	PLATE - VALVE MTG	1
13	05.286.01	NUT M8	1
14	05.264.03	SETSCREW M8x30	1
15	05.839.03	SETSCREW M8X16	1
16	05.281.01	FLAT WASHER M8	1
17	05.433.03	PLUG 1" BSP	2
18	05.433.01	PLUG 3/8"BSP	1

PUMP CIRCUIT CABLE DSR - 77.470.02



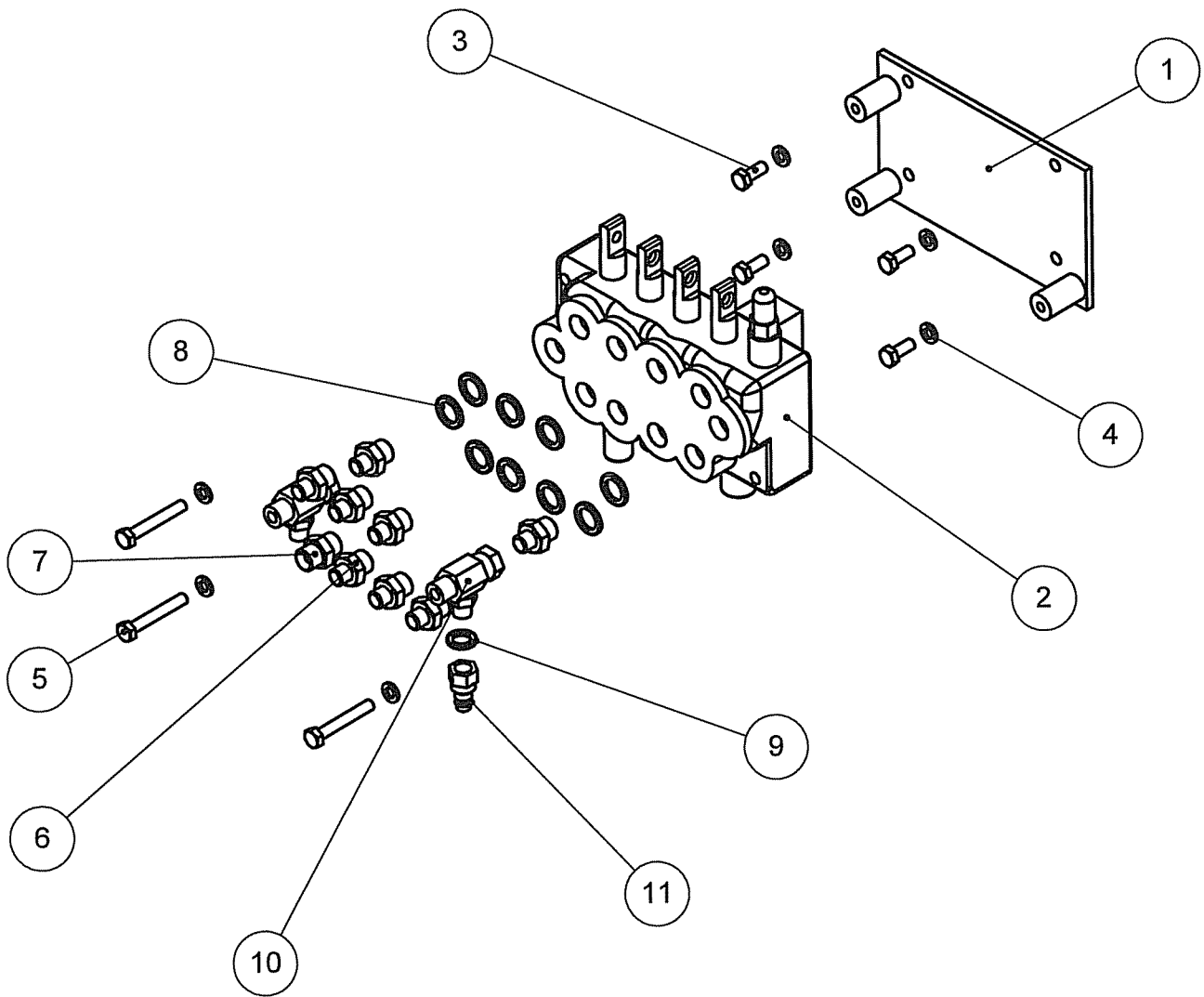
ITEM NO.	PART NUMBER	DESCRIPTION	QTY.
1	8125385	RCV 207BAR LH	1
2	05.290.06	BONDED SEAL 3/4" BSP	6
3	05.128.01	ADAPTOR 3/8" BSP x 3/4" BSP	1
4	05.373.01	ADAPTOR 3/4" BSP x 1" BSP	3
5	05.377.01	ADAPTOR 3/4" BSP x 3/4" BSP	1
6	05.434.01	ADAPTOR 1" BSP x 1" BSP	2
7	05.313.01	PLUG 3/4" BSP	1
8	05.433.03	PLUG 1" BSP	2
9	47743.01	BRACKET - VALVE MTG	1
10	05.264.15	SETSCREW M10x40	2
11	05.264.03	SETSCREW M8x30	2
12	05.282.02	SPRING WASHER M10	2
13	05.282.01	SPRING WASHER M8	2
14	05.286.02	NUT M10	2
15	05.286.01	NUT M8	2
16	06.459.01	PIPE STEEL	1

PUMP CIRCUIT CABLE EPP - 77.470.03



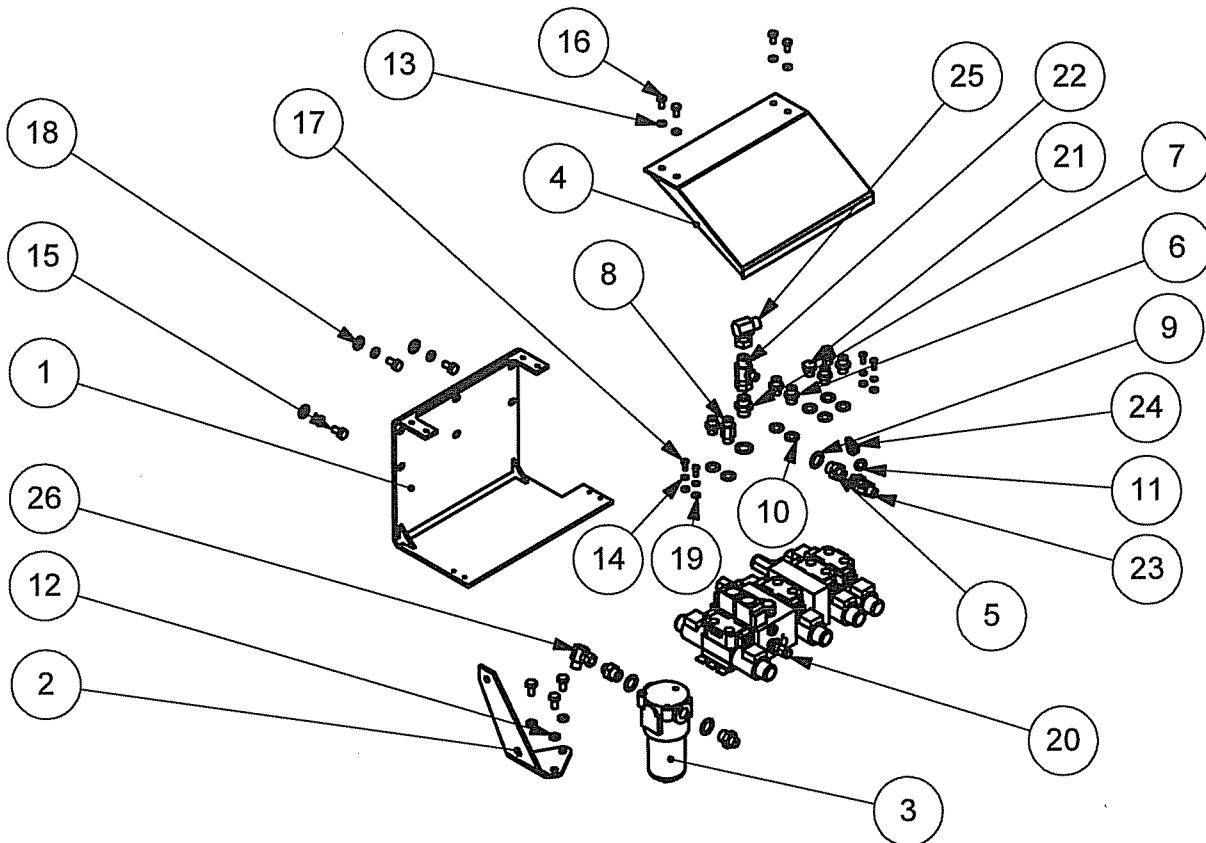
ITEM NO.	PART NUMBER	DESCRIPTION	Default/QTY.
1	06.284.16	DIVERTOR / RELIEF ASSY 209 BAR	1
2	05.290.07	BONDED SEAL 1" BSP	1
3	05.290.06	BONDED SEAL 3/4" BSP	2
4	05.290.04	BONDED SEAL 3/8" BSP	2
5	05.377.01	ADAPTOR 3/4"BSPx3/4"BSP	1
6	05.373.01	ADAPTOR 3/4"BSPx1"BSP	1
7	05.434.01	ADAPTOR 1"BSPx1"BSP	3
8	05.123.01	ADAPTOR 3/8"BSPx1/2"BSP	1
9	04.056.02	TEE ADAPTOR FMM	1
10	05.291.08	BOLT M8x65	2
11	05.282.01	SPRING WASHER M8	4
12	47695.01	PLATE - VALVE MTG	1
13	05.286.01	NUT M8	1
14	05.264.04	SETSCREW M8x35	1
15	05.264.01	SETSCREW M8x20	1
16	05.433.03	PLUG 1" BSP	2
17	05.433.01	PLUG 3/8"BSP	1

CONTROL VALVE ASSEMBLY 4 SERVICE - 77.471.01



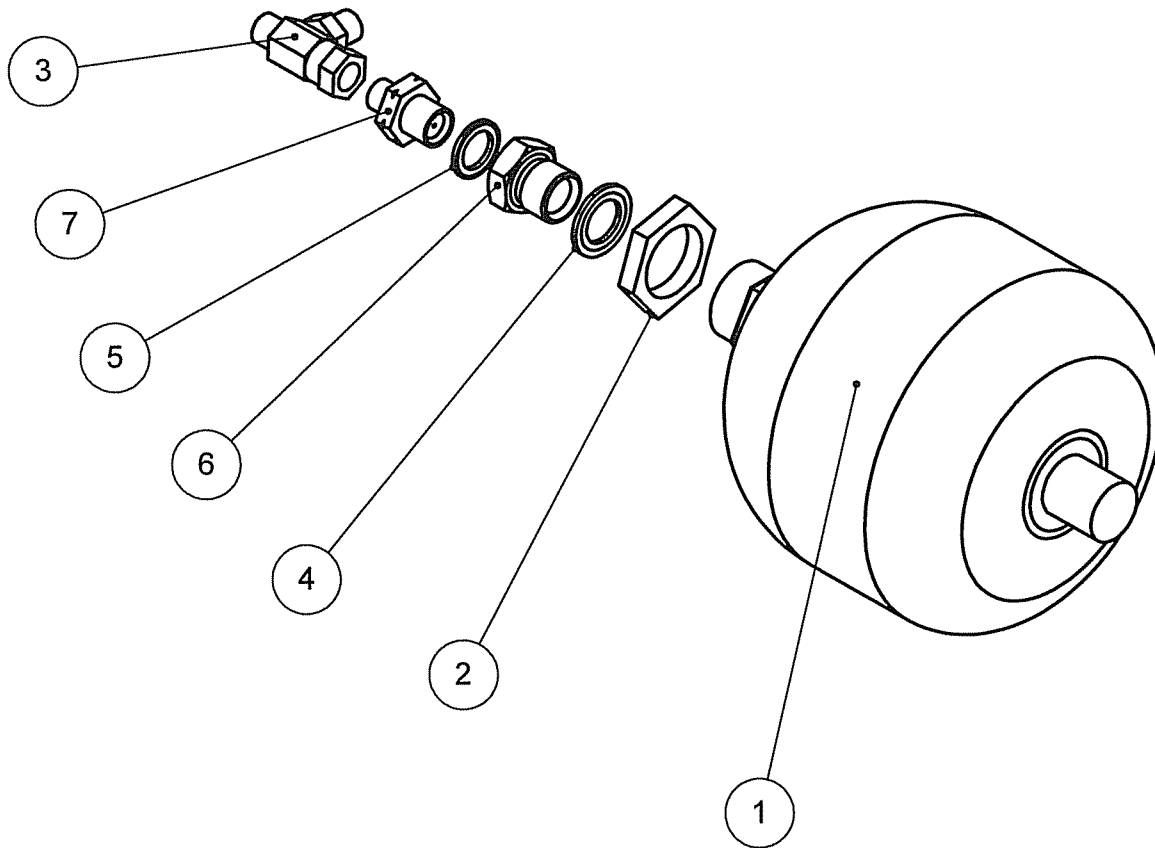
ITEM NO.	PART NUMBER	DESCRIPTION	QTY.
1	47696.01	PLATE - VALVE MTG	1
2	46924.02	WALVOIL 4 SERV CABLE VALVE	1
3	05.264.01	SETSCREW M8x20	4
4	05.282.01	SPRING WASHER M8	7
5	05.291.06	BOLT M8x55	3
6	01.099.01	ADAPTOR 1/4"BSPx3/8"BSP	8
7	05.124.01	ADAPTOR 3/8"BSPx3/8"BSP	1
8	05.290.04	BONDED SEAL 3/8" BSP	9
9	05.290.02	BONDED SEAL 1/4" BSP	1
10	04.056.16	TEE ADAPTOR FMM	2
11	05.146.12	COUPLING - QUIK 1/4	1

CONTROL VALVE ASSEMBLY - 77.471.02



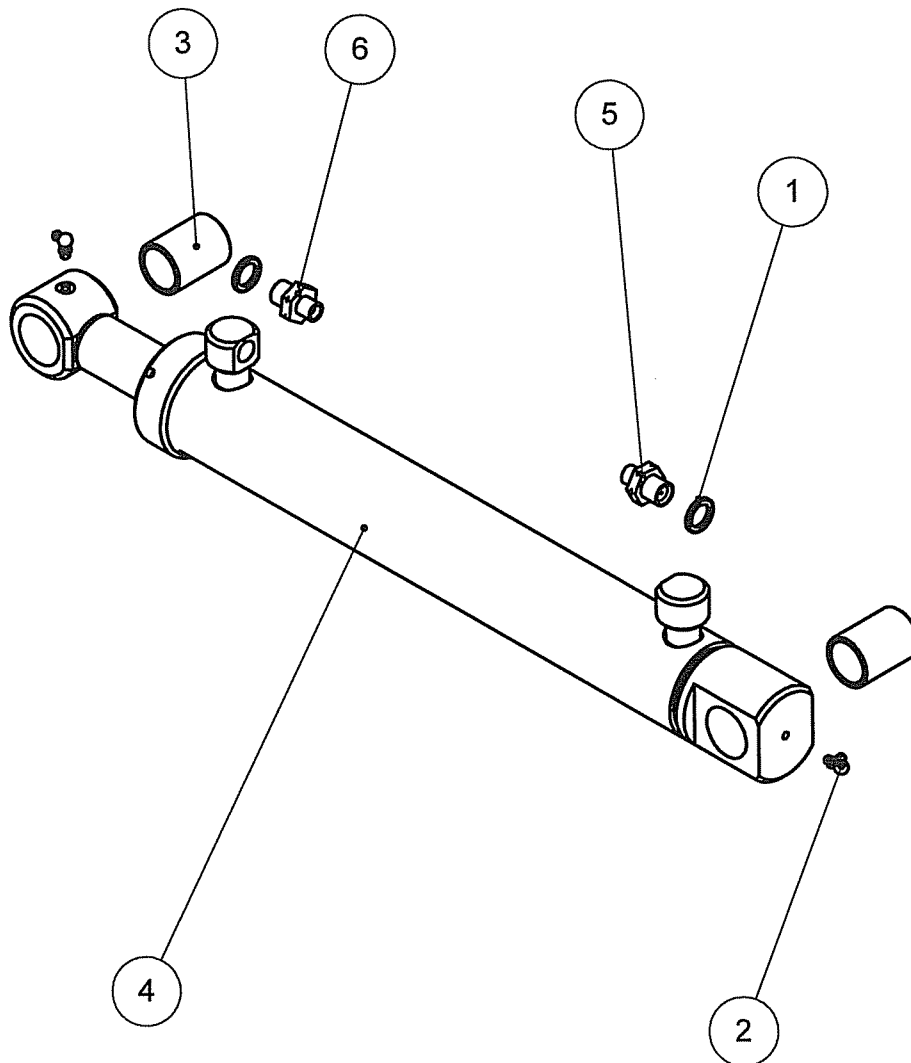
ITEM NO.	PART NUMBER	DESCRIPTION	QTY.
1	47943.01	PLATE - VALVE MOUNTING	1
2	47947.01	PLATE - FILTER	1
3	47563.01	MP FILTER	1
4	47956.01	COVER - VALVE	1
5	05.123.01	ADAPTOR 3/8"BSPx1/2"BSP	3
6	05.124.01	ADAPTOR 3/8"BSPx3/8"BSP	6
7	05.122.01	ADAPTOR 1/2"BSPx1/2"BSP	1
8	05.819.01	ADAPTOR 3/8"X3/8" EXTD.	1
9	05.290.05	BONDED SEAL 1/2" BSP	4
10	05.290.04	BONDED SEAL 3/8" BSP	8
11	05.290.02	BONDED SEAL 1/4" BSP	1
12	05.282.02	SPRING WASHER M10	6
13	05.282.01	SPRING WASHER M8	4
14	05.282.07	SPRING WASHER M6	4
15	05.264.11	SETSCREW M10x20	6
16	05.839.03	SETSCREW M8X16	4
17	05.839.05	SETSCREW M6 X 16	4
18	05.281.02	FLAT WASHER M10	3
19	05.281.10	FLAT WASHER M6	4
20	46622.12	DMV VALVE 4 SERV	1
21	05.433.01	PLUG 3/8"BSP	1
22	04.056.25	TEE ADAPTOR FMM	1
23	04.056.16	TEE ADAPTOR FMM	1
24	05.146.12	COUPLING - QUIK 1/4	1
25	05.835.05	90 ADAPTOR M/F SWIVEL	1
26	05.835.01	90 ADAPTOR M/F SWIVEL	1

ACCUMULATOR - SLEWA - 77.117.01



ITEM NO.	PART NUMBER	DESCRIPTION	QTY.
1	8126043	ACCUMULATOR 1.4LT - 90 BAR	1
2	8126035	NUT	1
3	04.056.10	TEE ADAPTOR FMM	1
4	05.290.00	BONDED SEAL 1/2" BSP	1
5	05.290.04	BONDED SEAL 3/8" BSP	1
6	8581284	ADAPTOR - M22X3/8BSP MF	1
7	46518.08	RESTRICTOR	1

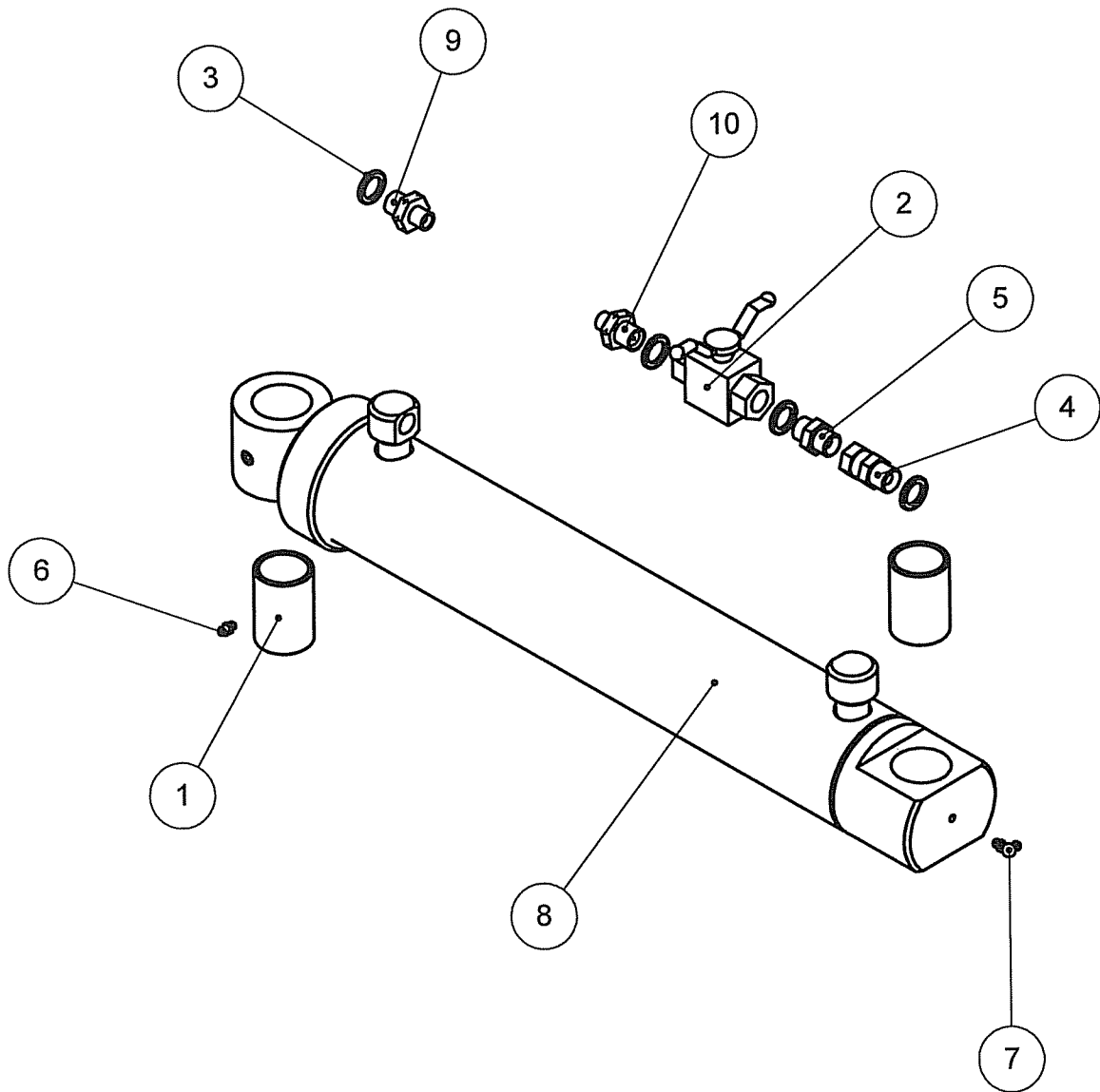
RAM ASSY SLEW CABLE - 77.111.02



* SEAL KIT PART NO. - 45942.25

ITEM NO.	PART NUMBER	DESCRIPTION	QTY.
1	05.290.04	BONDED SEAL 3/8" BSP	2
2	05.953.05	GREASE NIPPLE M6x90 deg	2
3	08.297.14	BUSH 37X30X50	2
4	45942.01	RAM ASSY 60 BORE X 340 STK	1
5	46518.08	RESTRICTOR	1
6	46518.14	RESTRICTOR	1

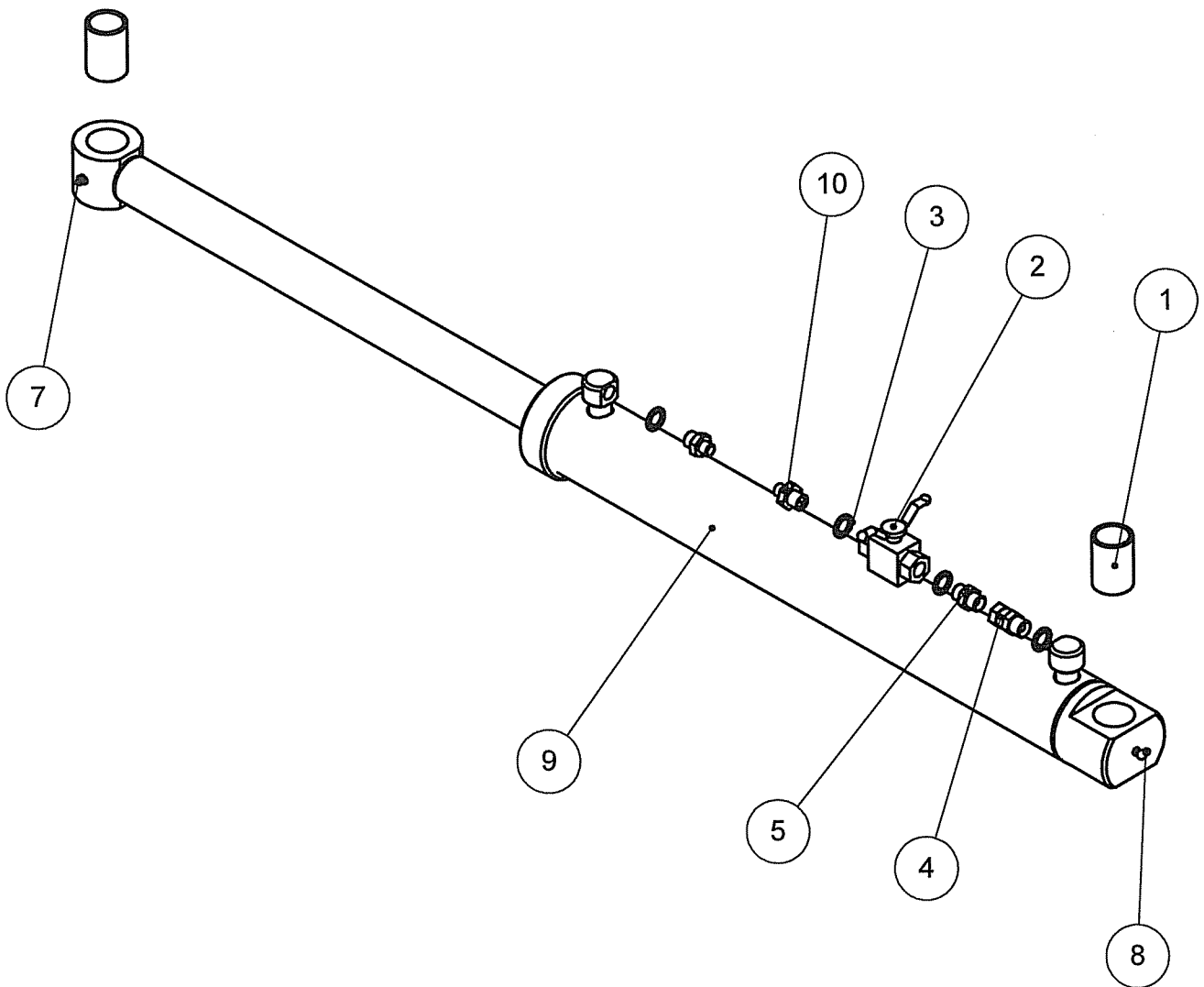
RAM ASSEMBLY - FIRST PARALLEL - 77.104.11



* SEAL KIT PART NO. - 46002.25

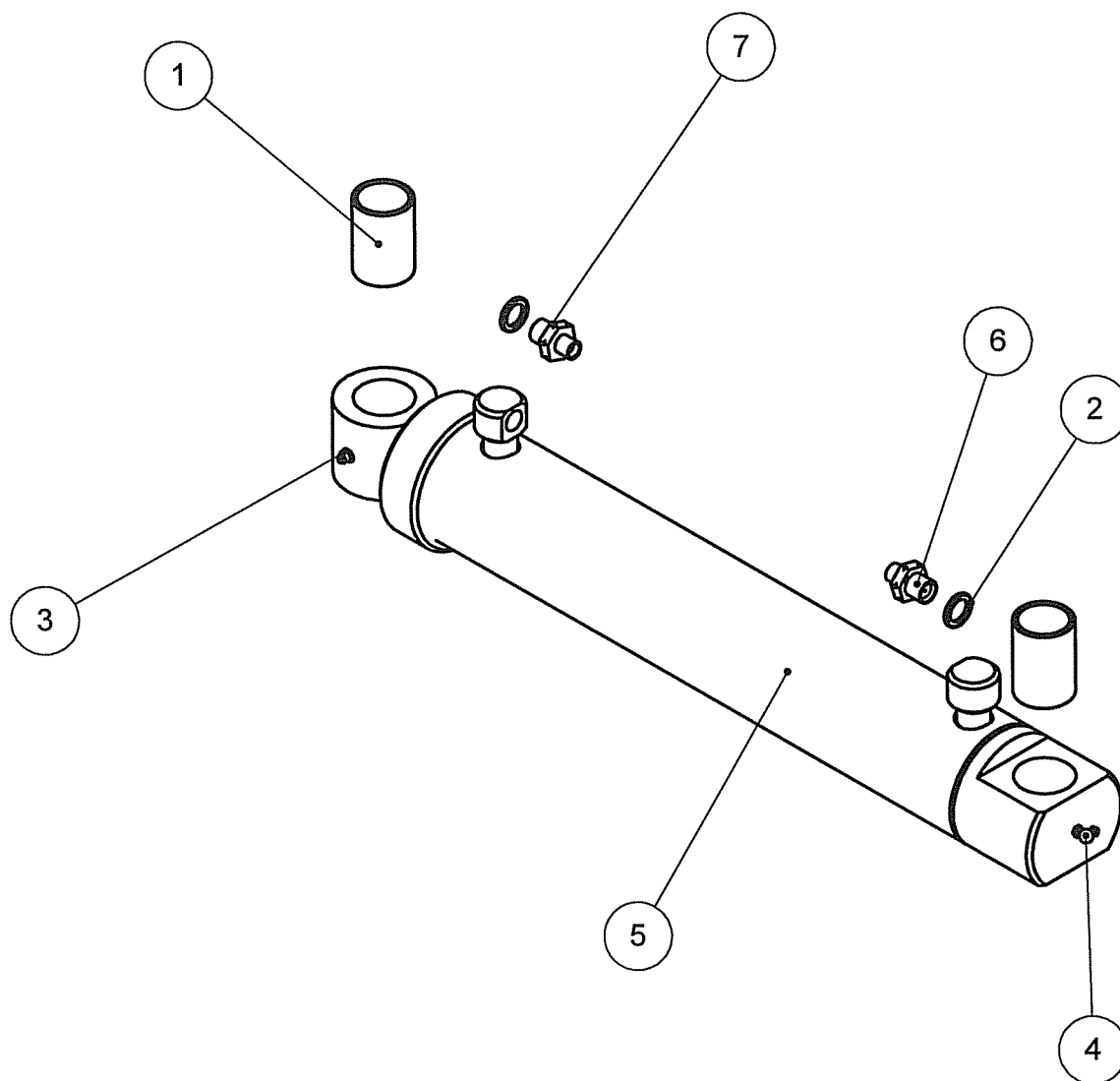
ITEM NO.	PART NUMBER	DESCRIPTION	QTY.
1	08.297.08	BUSH 42x35x60	2
2	08.200.01	VALVE - ISOLATING	1
3	05.290.04	BONDED SEAL 3/8" BSP	4
4	02.714.01	ADAPTOR - SWIVEL	1
5	05.124.01	ADAPTOR 3/8"BSPx3/8"BSP	1
6	05.953.01	GREASE NIPPLE M6xStr	1
7	05.953.05	GREASE NIPPLE M6x90 deg	1
8	46002.02	RAM ASSY D/A 80 BORE X 400 ST	1
9	46518.08	RESTRICTOR	1
10	46518.12	RESTRICTOR	1

RAM ASSY - FIRST 885 - 77.104.01



ITEM NO.	PART NUMBER	DESCRIPTION	QTY.
1	08.297.08	BUSH 42x35x60	2
2	08.200.01	VALVE - ISOLATING	1
3	05.290.04	BONDED SEAL 3/8" BSP	4
4	02.714.01	ADAPTOR - SWIVEL	1
5	05.124.01	ADAPTOR 3/8"BSPx3/8"BSP	1
6	01.099.01	ADAPTOR 1/4"BSPx3/8"BSP	1
7	05.953.01	GREASE NIPPLE M6xStr	1
8	05.953.05	GREASE NIPPLE M6x90 deg	1
9	46002.04	RAM ASSY D/A 80 BORE X 615 STK	1
10	46518.12	RESTRICTOR	1

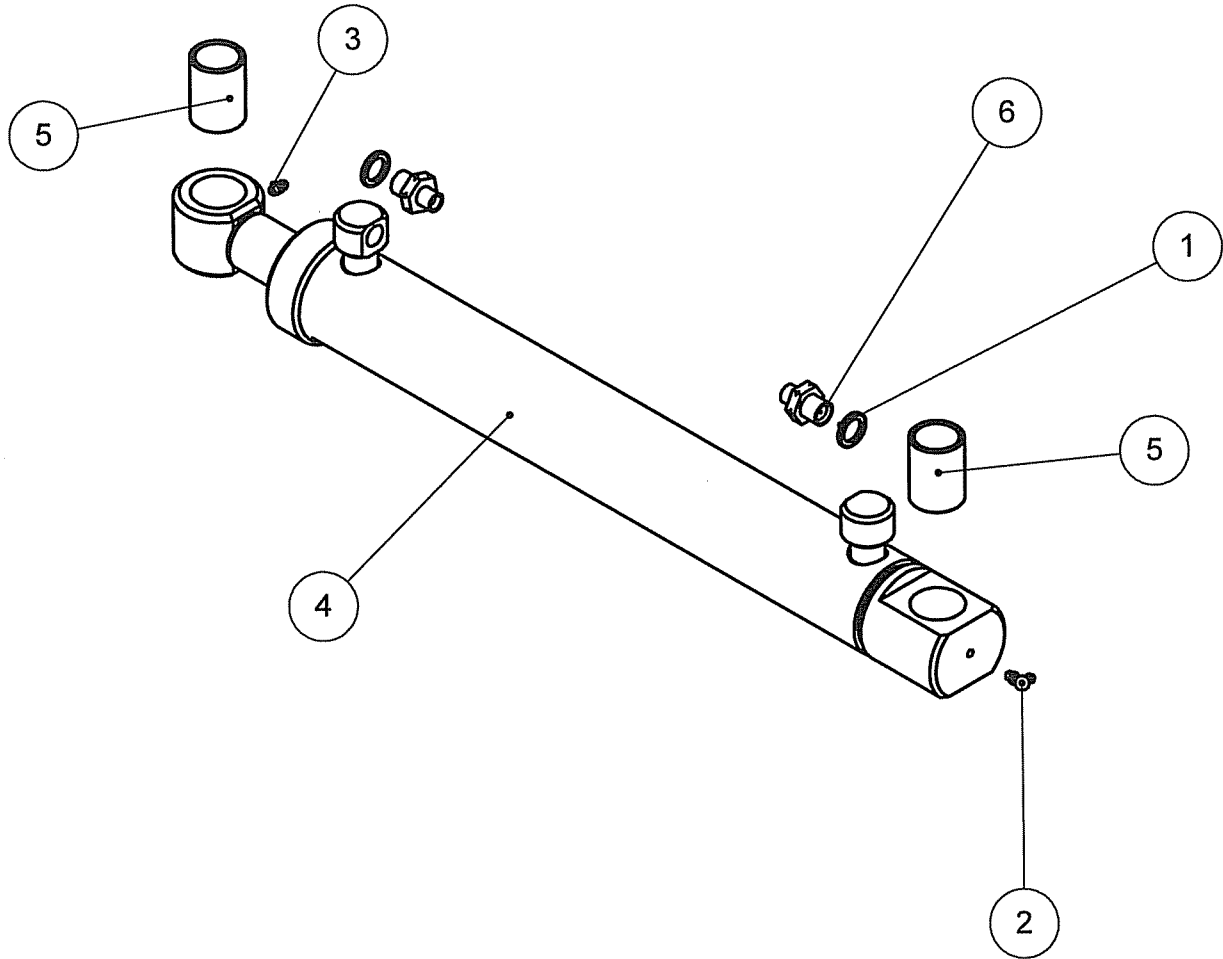
RAM ASSEMBLY - SECOND PARALLEL - 77.114.10



* SEAL KIT PART NO. - 46002.25

ITEM NO.	PART NUMBER	DESCRIPTION	QTY.
1	08.297.08	BUSH 42x35x60	2
2	05.290.04	BONDED SEAL 3/8" BSP	2
3	05.953.01	GREASE NIPPLE M6xStr	1
4	05.953.05	GREASE NIPPLE M6x90 deg	1
5	46002.02	RAM ASSY D/A 80 BORE X 400 ST	1
6	46518.08	RESTRICTOR	1
7	46518.12	RESTRICTOR	1

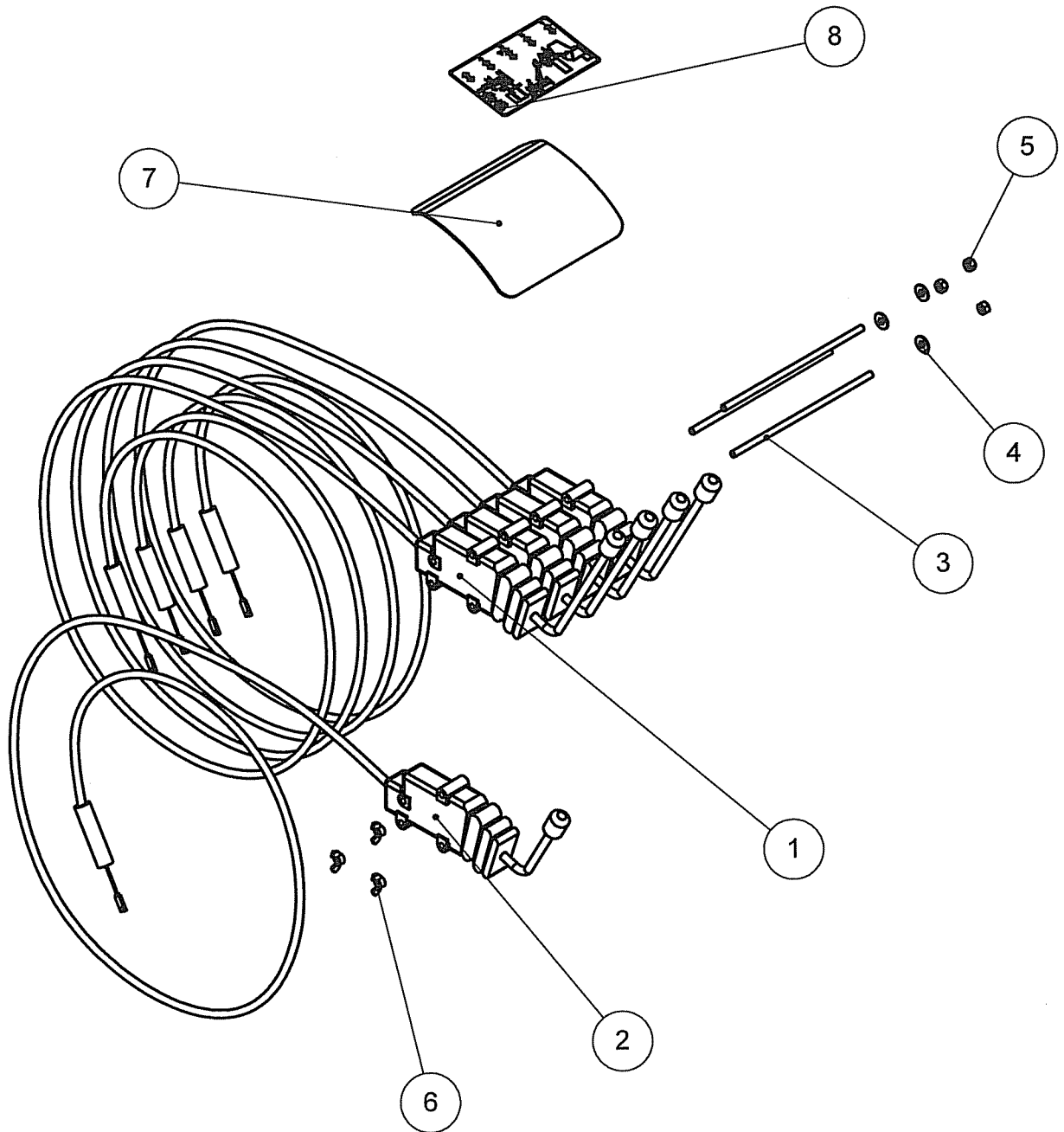
RAM ASSY COWL CABLE - 77.113.02



* SEAL KIT PART NO. - 45990.26

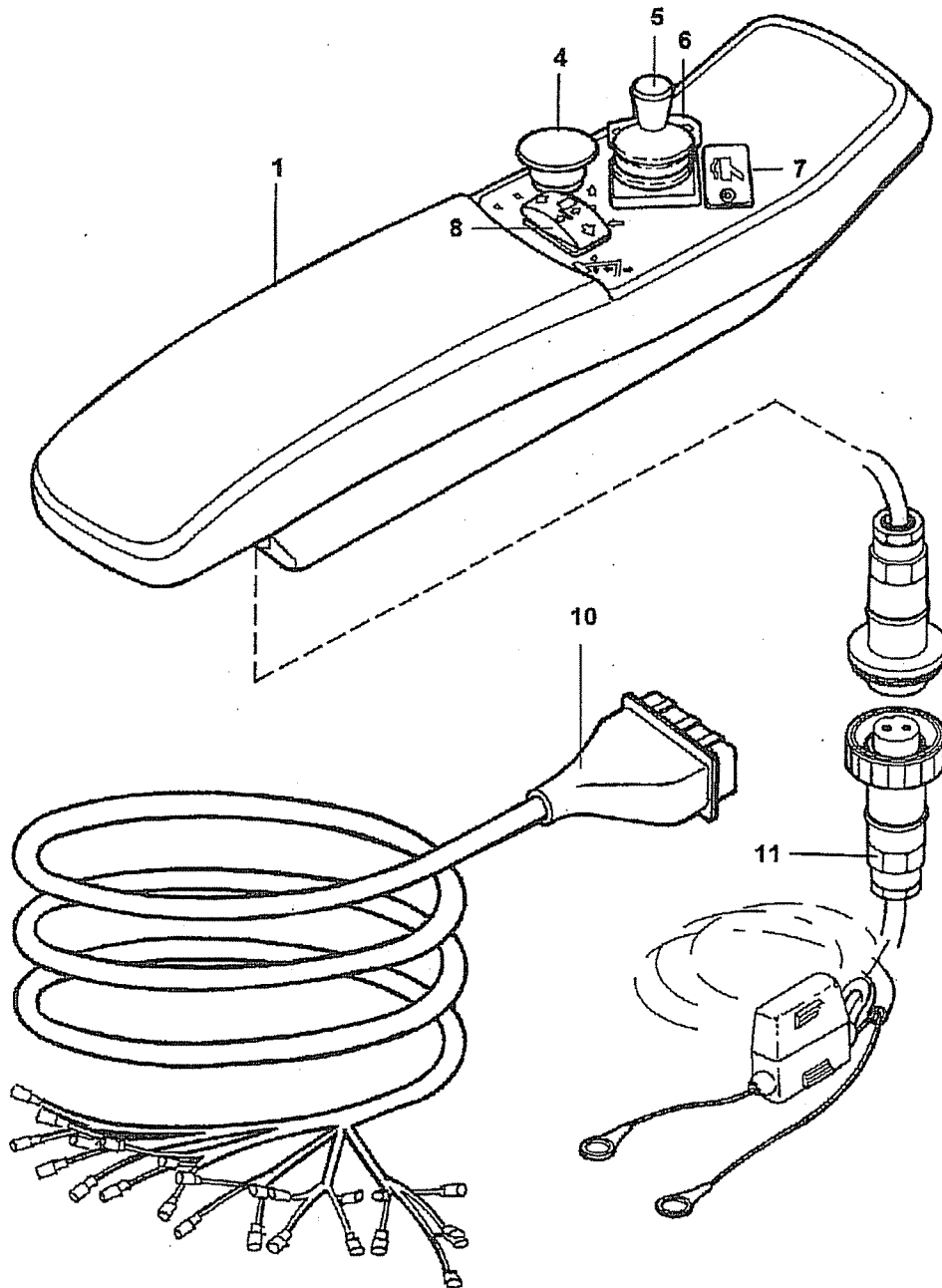
ITEM NO.	PART NUMBER	DESCRIPTION	QTY.
1	05.290.04	BONDED SEAL 3/8" BSP	2
2	05.953.05	GREASE NIPPLE M6x90 deg	1
3	05.953.01	GREASE NIPPLE M6xStr	1
4	45990.01	RAM ASSY - D/A 60 BOREX430STR	1
5	08.297.14	BUSH 37X30X50	2
6	46518.08	RESTRICTOR	2

CABLE ASSY - 5 LEVER LH - 76.421.08

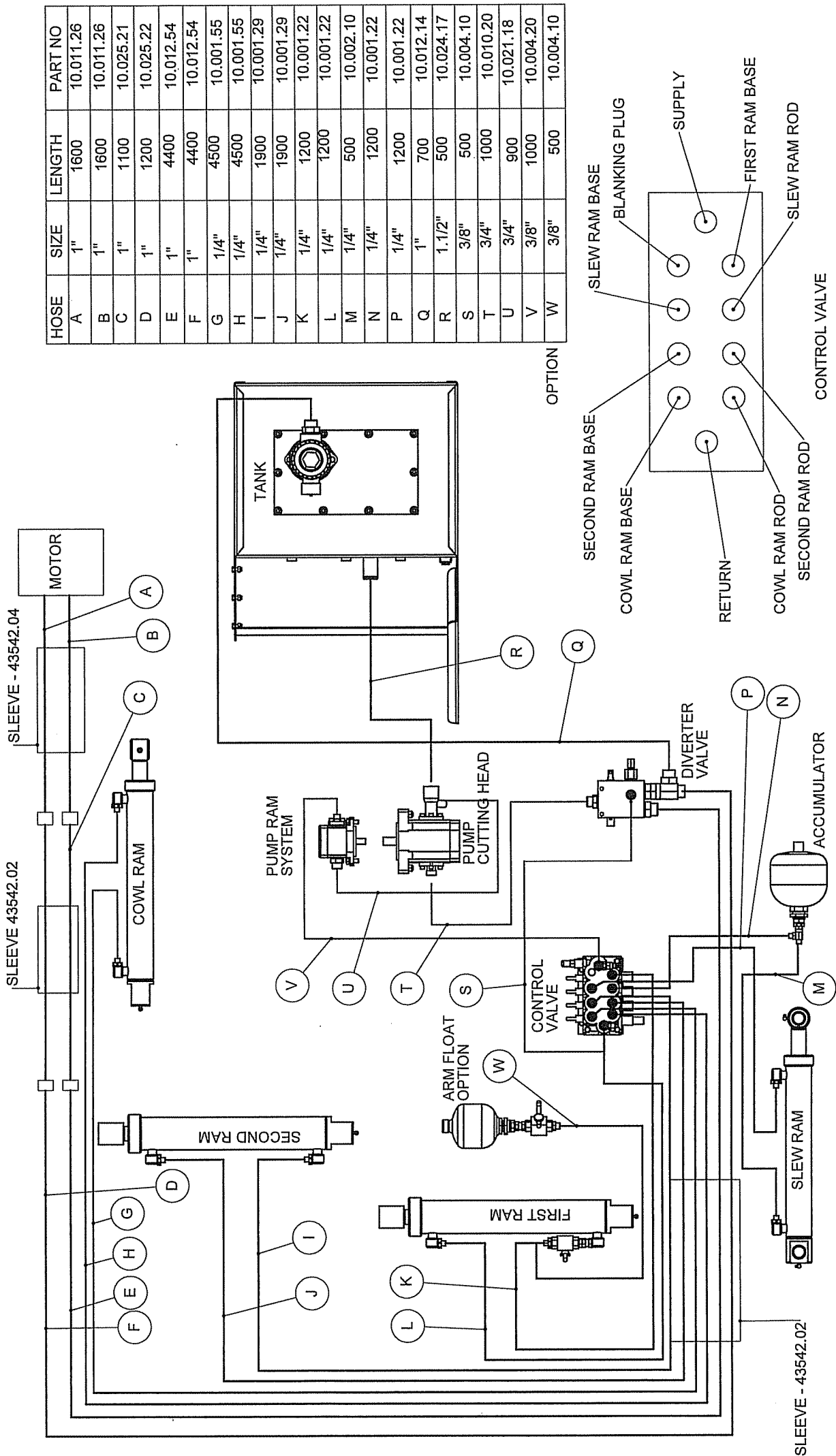


ITEM NO.	PART NUMBER	DESCRIPTION	QTY.
1	04.265.96	R.C. ASSY 3.0M LONG BLACK	4
2	04.265.75	R.C. ASSY 3.0M SHT RED DIV FK	1
3	04.282.43	STUD M8 X240	3
4	05.281.01	FLAT WASHER M8	3
5	05.286.01	NUT M8	3
6	05.948.07	WING NUT M8	3
7	42256.03	ARM REST 4 BOWDEN CABLES	1
8	09.916.01	DECAL - LEVER OP. 5 LEVER LH	1

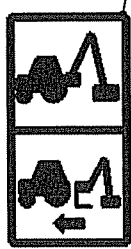
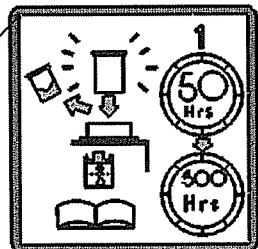
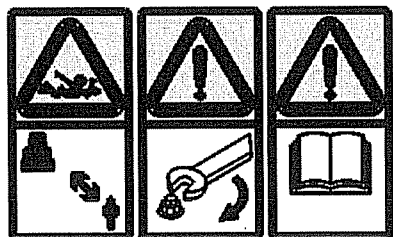
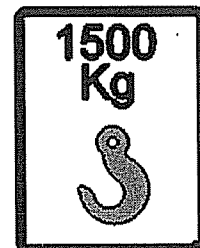
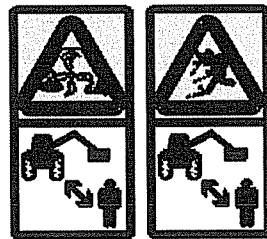
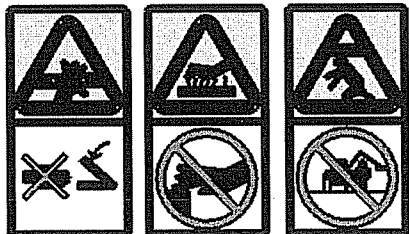
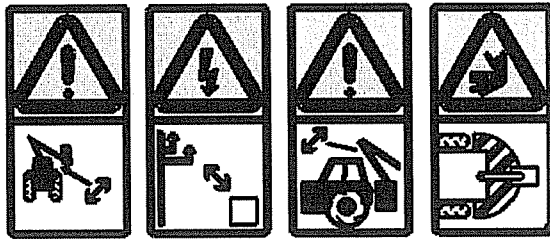
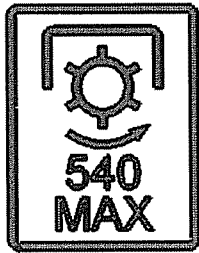
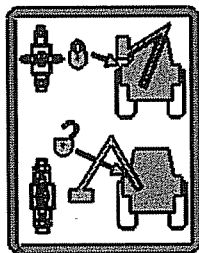
EPPII REMOTE CONTROL ASSEMBLY - 76.426.07/08



ITEM NO.	PART NUMBER	DESCRIPTION	QTY
1	42226.13	CONTROL BOX 4 SERVICE LH	1
1	42226.14	CONTROL BOX 4 SERVICE RH	1
2	42226.96	DECAL SET EPPII LH	0
2	42226.95	DECAL SET EPPII RH	0
3	42226.94	MAIN PCB ASSY EPPII	0
4	41786.33	STOP SWITCH	0
5	41786.34	JOYSTICK ASSY	0
6	41786.35	SWITCH ASSY COWL	0
7	41786.38	SWITCH ASSY HEAD FLOAT	0
8	41786.36	SWITCH ASSY SLEW	0
10	42197.12	WIRE LOOM	1
11	08.987.01	CABLE ASSY - 2 CORE X 5.5M HVY	1

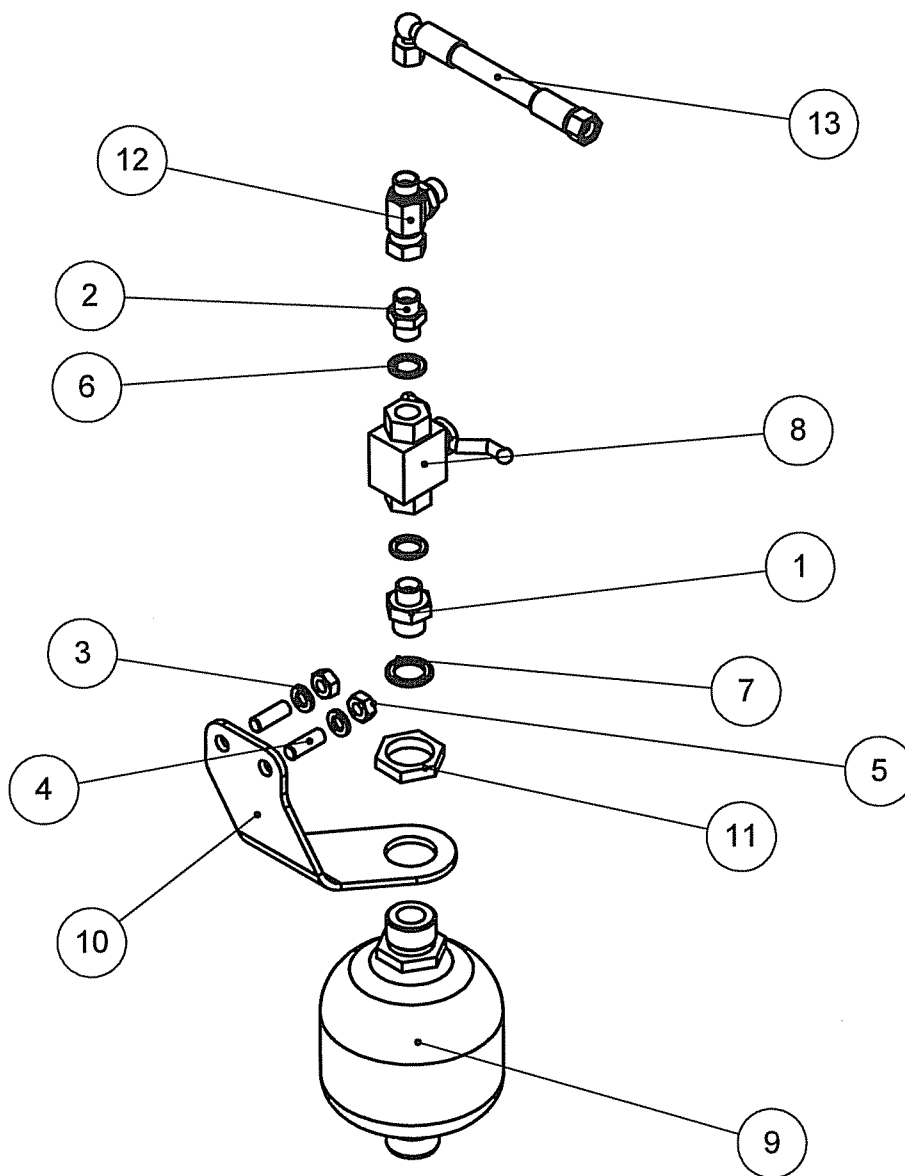


HOSE	SIZE	LENGTH	PART NO
A	1"	1600	10.011.26
B	1"	1600	10.011.26
C	1"	1100	10.025.21
D	1"	1200	10.025.22
E	1"	4400	10.012.54
F	1"	4400	10.012.54
G	1/4"	4500	10.001.55
H	1/4"	4500	10.001.55
I	1/4"	1900	10.001.29
J	1/4"	1900	10.001.29
K	1/4"	1200	10.001.22
L	1/4"	1200	10.001.22
M	1/4"	500	10.002.10
N	1/4"	1200	10.001.22
P	1/4"	1200	10.001.22
Q	1"	700	10.012.14
R	1.1/2"	500	10.024.17
S	3/8"	500	10.004.10
T	3/4"	1000	10.010.20
U	3/4"	900	10.021.18
V	3/8"	1000	10.004.20
W	3/8"	500	10.004.10



ITEM NO.	PART NUMBER	DESCRIPTION	QTY.
1	08.632.01	DECAL - TRANSPORT	1
2	09.811.04	DECAL - 540 MAX ACW	1
3	09.821.28	DECALS - EURO DECAL MINIATURISED	1
4	09.821.32	DECALS - EURO DECAL MINIATURISED	1
5	09.821.33	DECALS - EURO DECAL MINIATURISED	1
6	09.821.34	09.821.34	1
7	09.843.06	DECAL - LIFT POINT 1500 KG	1
8	09.845.01	DECAL - APPROVED OILS	1
9	09.846.02	DECAL - OIL FILTER CHANGE	1
10	46.681.01	DECAL - LEG POSITION WHEN PARKED	1

ARM FLOAT KIT - 77.221.01



ITEM NO.	PART NUMBER	DESCRIPTION	QTY.
1	05.123.01	ADAPTOR 3/8"BSPx1/2"BSP	1
2	05.124.01	ADAPTOR 3/8"BSPx3/8"BSP	1
3	05.282.02	SPRING WASHER M10	2
4	04.282.24	STUD M10x29	2
5	05.286.02	NUT M10	2
6	05.290.04	BONDED SEAL 3/8" BSP	2
7	05.290.05	BONDED SEAL 1/2" BSP	1
8	08.200.01	VALVE - ISOLATING	1
9	41451.02	ACCUMULATOR - 0.7LT (30 BAR)	1
10	46465.01	BRACKET - PLATE 5	1
11	8126035	NUT	1
12	11.068.69	ADAPTOR TEE 3/8BSP MFM	1
13	10.002.08	1/4"BSP FS/F90 400	1