

PM 856

# **HYDRAULIC HEADS**

**1100, 1500 ISMP**

**PARTS MANUAL  
ISSUE 1**

## IMPORTANT

NOTE HERE THE SERIAL NUMBER OF YOUR MACHINE AND ALWAYS QUOTE IT IN ANY COMMUNICATION WITH US OR YOUR DEALER. THIS IS PARTICULARLY IMPORTANT WHEN ORDERING SPARES. REMEMBER TO INCLUDE ALL NUMBERS AND LETTERS.

MACHINE SERIAL NUMBERS \_\_\_\_\_

THE INFORMATION GIVEN THROUGHOUT THIS MANUAL IS CORRECT AT THE TIME OF PUBLICATION. HOWEVER, IN THE COURSE OF CONSTANT DEVELOPMENT OF BOMFORD TURNER MACHINES, CHANGES IN SPECIFICATION ARE INEVITABLE. SHOULD YOU FIND THE INFORMATION GIVEN IN THIS BOOK TO BE AT VARIANCE WITH THE MACHINE IN YOUR POSSESSION, YOU ARE ADVISED TO CONTACT THE BOMFORD TURNER SERVICE DEPARTMENT WHERE UP-TO-DATE INFORMATION WILL BE PROVIDED.

THE MANUAL CAN CONTAIN STANDARD AND OPTIONAL FEATURES AND IS NOT TO BE USED AS A MACHINE SPECIFICATION.

THE MACHINE HAS BEEN TESTED AND IS CONSIDERED SAFE IF CAREFULLY USED. ENSURE YOUR OPERATOR IS PROPERLY TRAINED IN ITS USE AND MAINTENANCE.

---

## IMPORTANT

NOTEZ ICI LES NUMEROS DE SERIE DE VOTRE MACHINE ET MENTIONNEZ LES DANS TOUTE COMMUNICATION AVEC NOS SERVICES OU VOTRE REVENDEUR. CE CI EST IMPORTANT POUR LA COMMANDE DE PIECES DETACHEES. PENSEZ A NOTER TOUS LES NUMEROS ET TOUTES LES LETTERS.

NUMEROS DE SERIE DE LA MACHINE \_\_\_\_\_

LES INFORMATIONS DONNEES DANS CE MANUEL SONT CORRECTES CEPENDANT, DU FAIT DE DEVELOPPEMENT CONSTANT DES MACHINES BOMFORD TURNER.

CHANGEMENTS DANS LES CARACTERISTIQUES SONT INEVITABLES.

SI VOUS TROUVEZ QUE LES INFORMATIONS DONNEES NE CORRESPONDENT PAS A VOTRE MACHINE VEUILLEZ CONTACTER LE SERVICE DES REPARATIONS OU DES INFORMATIONS PLUS RECENTES VOUS SERONT DONNEES. CE MANUEL PEUT MONTRER DES CARACTERISTIQUES OPTIONNELLES ET NE PEUT PAS ETRE CONSIDERE COMME SPECIFICATION DE LA MACHINE.

CETTE MACHINE A ETE TESTEE, ET ELLE EST CONSIDEREE COMME FIABLE A CONDITION D'UNE BONNE UTILISATION. ASSUREZ-VOUS QUE VOTRE OPERATEUR EST QUALIFIE EN CE QUI CONCERNE L'UTILISATION DE LA MACHINE AINSI QUE SON ENTRETIEN.

---

## WICHTIG

TRAGEN SIE HIER DIE SERIENNUMMERN IHRER MASCHINE EIN UND GEBEN SIE DIESE IMMER AN, WENN SIE SICH AN UNS ODER IHREN HÄNDLER WENDEN. DAS IST BESONDERS BEI ERSATZTEILBESTELLUNGEN WICHTIG. VERGESSEN SIE NICHT, ALLE ZAHLEN UND BUCHSTABEN ZU NOTIEREN.

SERIENNUMMERN DER MASCHINE \_\_\_\_\_

DIE ANGABEN INDIESEM HANDBUCH SIND BEI VERÖFFENTLICHUNG KORREKT. AUFGRUND DER KONSTANTEN WEITERENTWICKLUNG VON BOMFORD TURNER MASCHINEN SIND JEDOCHÄNDERUGDEN IN DER SPEZIFIKATION UNVERMEIDLICH. WENN DIE INFORMATION IN DIESEM HANDBUCH NICHT MIT IHRER MASCHINE ÜBEREINSTIMMEN, NEHMEN SIE BITTE KONTAKT MIT DER BOMFORD TURNER KUNDENDIENSTABTEILUNG AUF, DIE IHNEN GERNE DIE AKTUELLEN INFORMATION ZUKOMMEN LÄSST.

DAS HANDBUCH KANN SOWOHL BESCHREIBUNGEN FÜR DIE STANDARD AUSFÜHRUNG ALS AUCH FÜR ZUBEHÖR ENTHALTEN UND IST NICHT ALS MASCHINENSPEZIFIKATION ZU VERWENDET.

DIE MASCHINE IST GETESTET UND BEI SACHGEMÄSSEM BETRIEB ALS SICHER BEFUNDEN WORDEN. SORGEN SIE DAFÜR, DASS IHR BEDIENPERSONAL IN ANWENDUNG UND WARTUNG RICHTIG GESCHULT WIRD.

NOTE: PAGE AND ILLUSTRATION NUMBERS SHOWN ARE USED ONLY FOR REFERENCE PURPOSES AND SHOULD NOT BE USED FOR ORDERING SPARE PARTS, PLEASE GIVE FULL PART NUMBER AND DESCRIPTION WHEN ORDERING SPARE PARTS

FOR MACHINES WITH SERIAL NUMBERS COMMENCING FROM:

HEAD 1100.....**5295 PA**.....  
 HEAD 1500.....**1115 RA**.....  
 HEAD I.S.M.P.....**5055 PA**.....

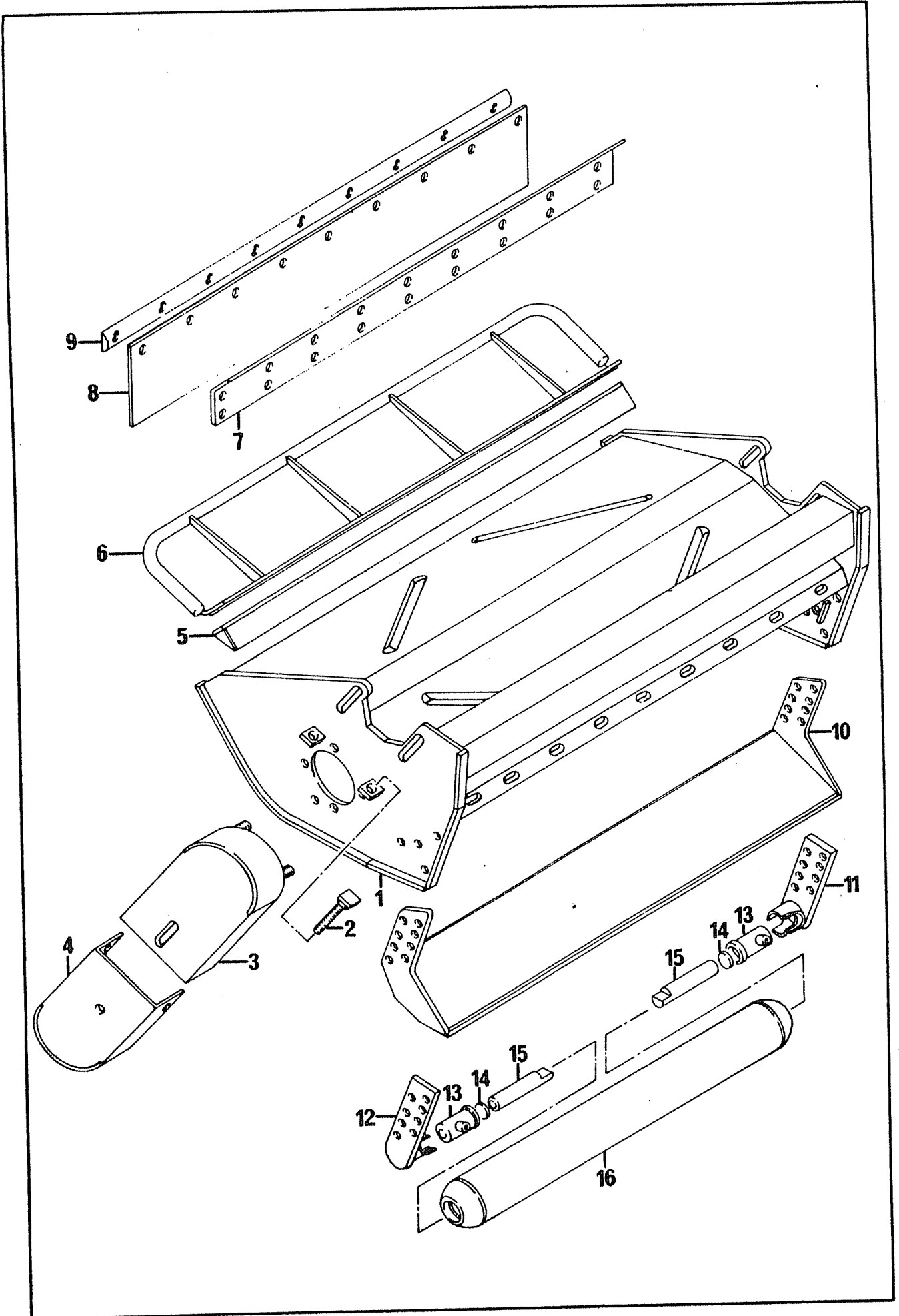
Page No.	Title	Issue No
*2-1 to 2-3	Cowl 1100	0982
*3-1 to 3-3	Cowl 1500	0982
*4-1 to 4-3	Cowl I.S.M.P.	0982
5-1 to 5-2	Rotor shaft 1100	0982
6-1 to 6-2	Rotor shaft 1500	0982
*7-1 to 7-3	Rotor shafts I.S.M.P.	0982
*8-1 to 8-3	Motor assemblies	0482
9-1 to 9-2	Guard kits	0482
10-1 to 10-2	Decals	0482

\*Where a parts list has necessitated two pages of text the corresponding illustration has been repeated on the facing page purely for convenient referencing.

THE ILLUSTRATIONS AND TEXT COMBINE STANDARD, ALTERNATIVE AND OPTIONAL PARTS AND MUST NOT BE USED AS A PRODUCT SPECIFICATION.

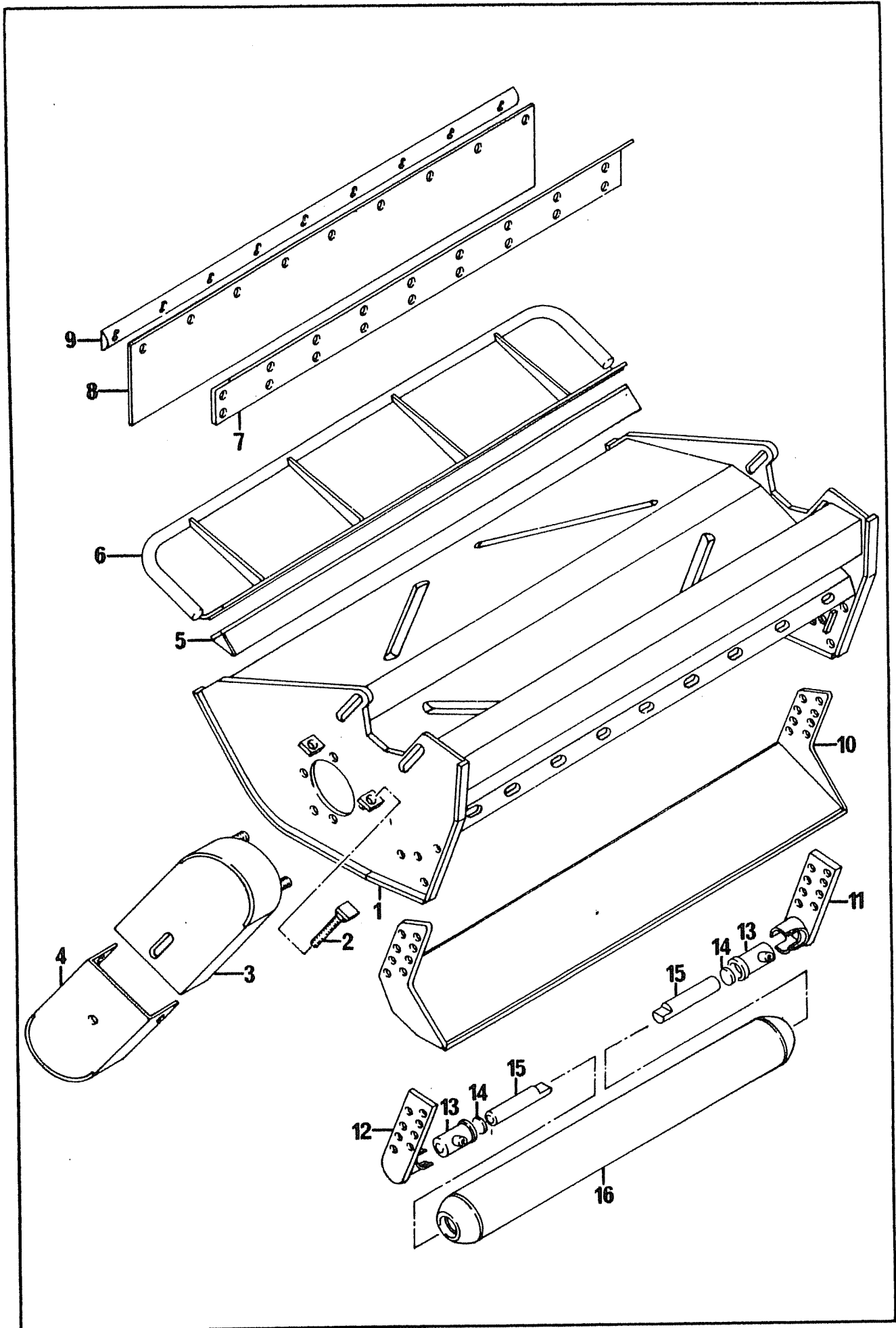
---

CHECK REAR OF MANUAL FOR UPDATES



Ref.	Part No.	Description	Serial No. from - up to	Qty.
1	04 150 01	Cowl - 1100		1
	05 774 01	Serial number plate		1
	05 227 01	Hammer drive screw No. 6 x 3/8in		2
2	04 155 01	Special bolt - M12 x 110mm		2
	05 286 03	Nut M12		4
3	04 153 01	Guard - Top drive		1
	05 281 03	Flat washer 12mm		2
	05 282 03	Spring washer 12mm		2
	05 286 03	Nut M12		2
4	04 154 01	Guard - Bottom drive		1
	05 281 03	Flat washer 12mm		1
	05 282 03	Spring washer 12mm		1
	05 264 22	Setscrew M12 x 25mm		1
	05 282 03	Spring washer 12mm		1
	05 286 03	Nut M12		1
5	03 768 01	Bracket - wire cutter		1
6	03 767 01	Guard-front		1
	05 264 15	Setscrew M10 x 40mm		4
	05 281 02	Flat washer 10mm		8
	05 282 02	Spring washer 10mm		4
	05 286 02	Nut M10		4
7	00 883 01	Bracket - Guard angle		1
8	00 875 05	Guard - plastic		1
	05 291 01	Bolt M8 x 30mm		9
	05 287 01	Self locking nut M8		9
9	00 883 02	Strip - Guard backing		1
10	03 788 01	Skid-1100mm		1
	05 264 25	Setscrew M12 x 40mm		4
	05 282 03	Spring washer 12mm		4
	05 287 03	Self locking nut M12		4
11	04 173 02	Bracket - Roller RH		1
12	04 173 01	Bracket - Roller LH		1
	05 264 25	Setscrew M12 x 40mm		4
	05 282 03	Spring washer 12mm		4
	05 287 03	Self locking nut M12		4
13	05 896 18	Bearing - Bush 1.1/16in dia		2
	01 070 04	Grease nipple 1/8in BSP		2
14	05 896 17	Thrust washer 25mm O/D		2
15	01 328 03	Shaft - Roller		2

CHECK REAR OF MANUAL FOR UPDATES



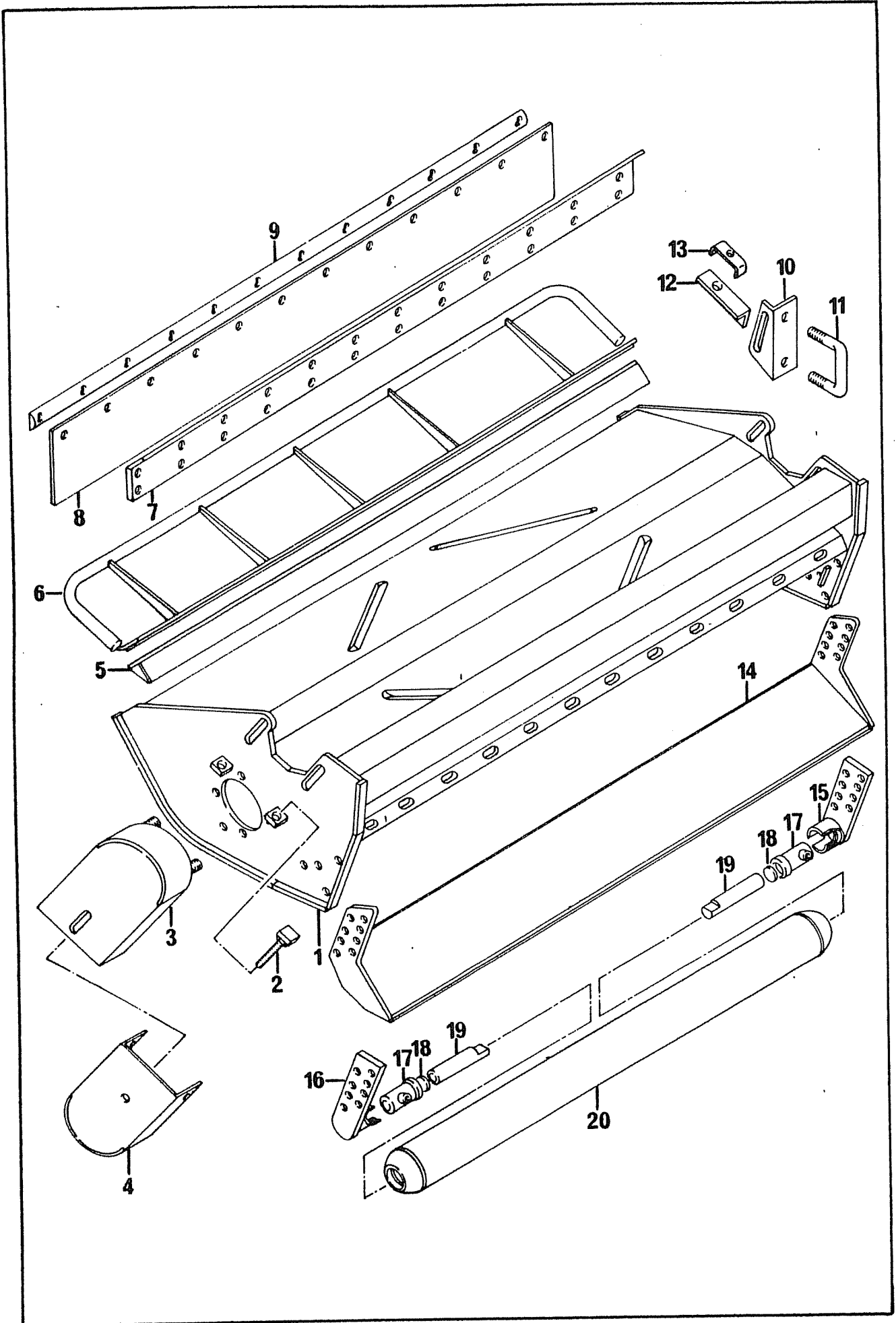
---

Ref.	Part No.	Description	Serial No. from - up to	Qty.
16	01 328 04	Roller - 1100mm		1

---

---

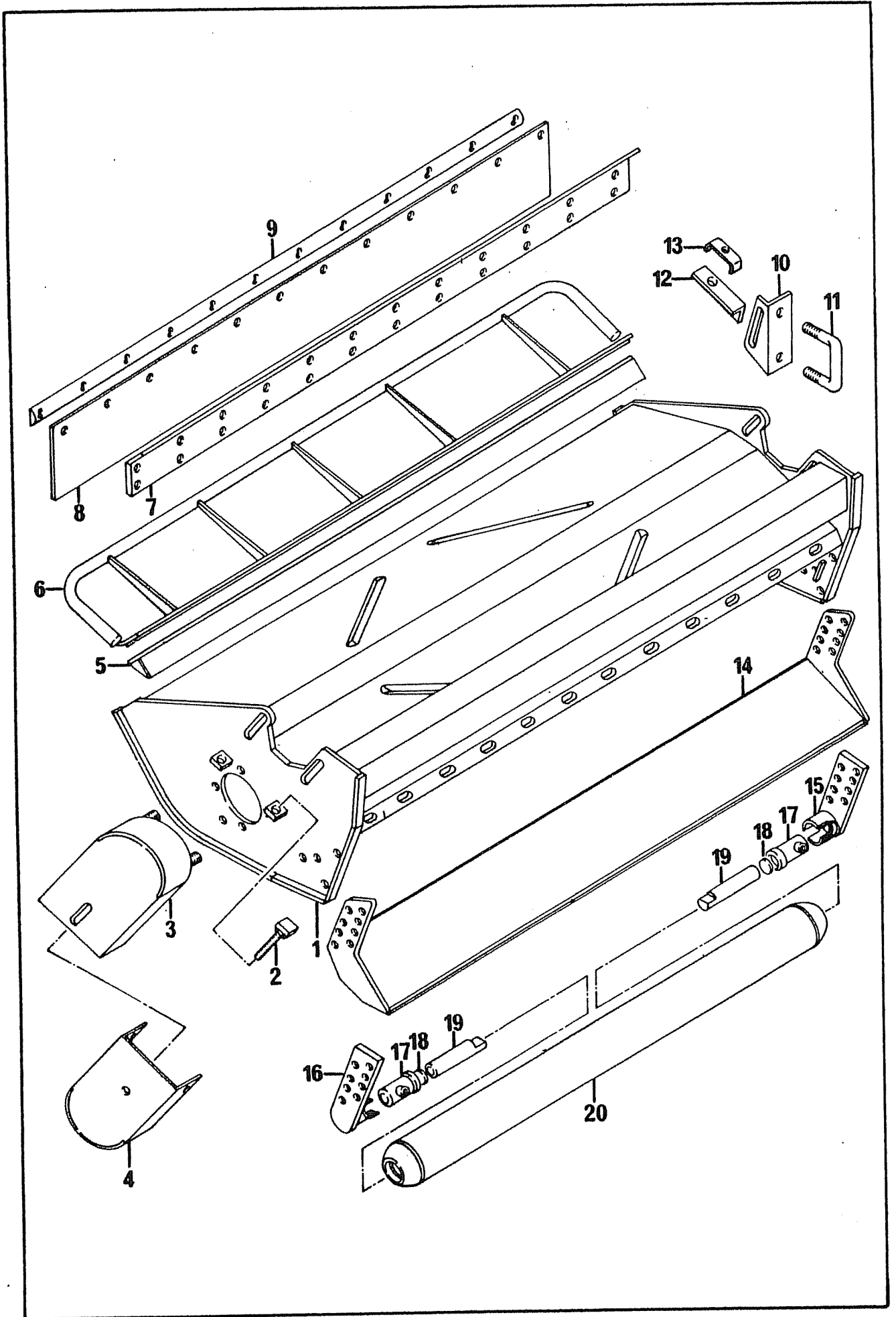
CHECK REAR OF MANUAL FOR UPDATES





Ref.	Part No.	Description	Serial No. from - up to	Qty.
1	04 150 02	Cowl - 1500		1
	05 774 01	Serial number plate		1
	05 227 01	Hammer drive screw No. 6 x 3/8in		2
2	04 155 01	Special bolt - M12 x 110mm		2
	05 286 03	Nut M12		4
3	04 153 01	Guard - Top drive		1
	05 281 03	Flat washer 12mm		2
	05 282 03	Spring washer 12mm		2
	05 286 03	Nut M12		2
4	04 154 01	Guard - Bottom Drive		1
	05 281 03	Flat washer 12mm		1
	05 282 03	Spring washer 12mm		1
	05 264 22	Setscrew M12 x 25mm		1
	05 282 03	Spring washer 12mm		1
	05 286 03	Nut M12		1
5	03 768 03	Bracket - Wire cutter		1
6	03 767 03	Guard - Front		1
	05 264 15	Setscrew M10 x 40mm		5
	05 281 02	Flat washer 10mm		10
	05 282 02	Spring washer 10mm		5
	05 286 02	Nut M10		5
7	04 157 01	Bracket - Guard Angle		1
8	04 158 01	Guard - Plastic		1
	05 291 01	Bolt M8 x 30mm		12
	05 287 01	Self locking nut M8		12
9	04 159 01	Strip - Guard backing		1
10	04 256 01	Bracket - Pipe clamp		1
	05 264 12	Setscrew M10 x 25mm		1
	05 281 02	Flat washer 10mm		1
	05 282 02	Spring washer 10mm		1
	05 286 02	Nut M10		1
11	04 258 01	'U' Bolt M10		1
	05 282 02	Spring washer 10mm		2
	05 286 02	Nut M10		2
12	04 259 01	Bracket - Angle		1
	05 291 14	Bolt M10 x 45mm		1
	05 282 02	Spring washer 10mm		1
	05 286 02	Nut M10		1
13	04 257 01	Hose clamp		1

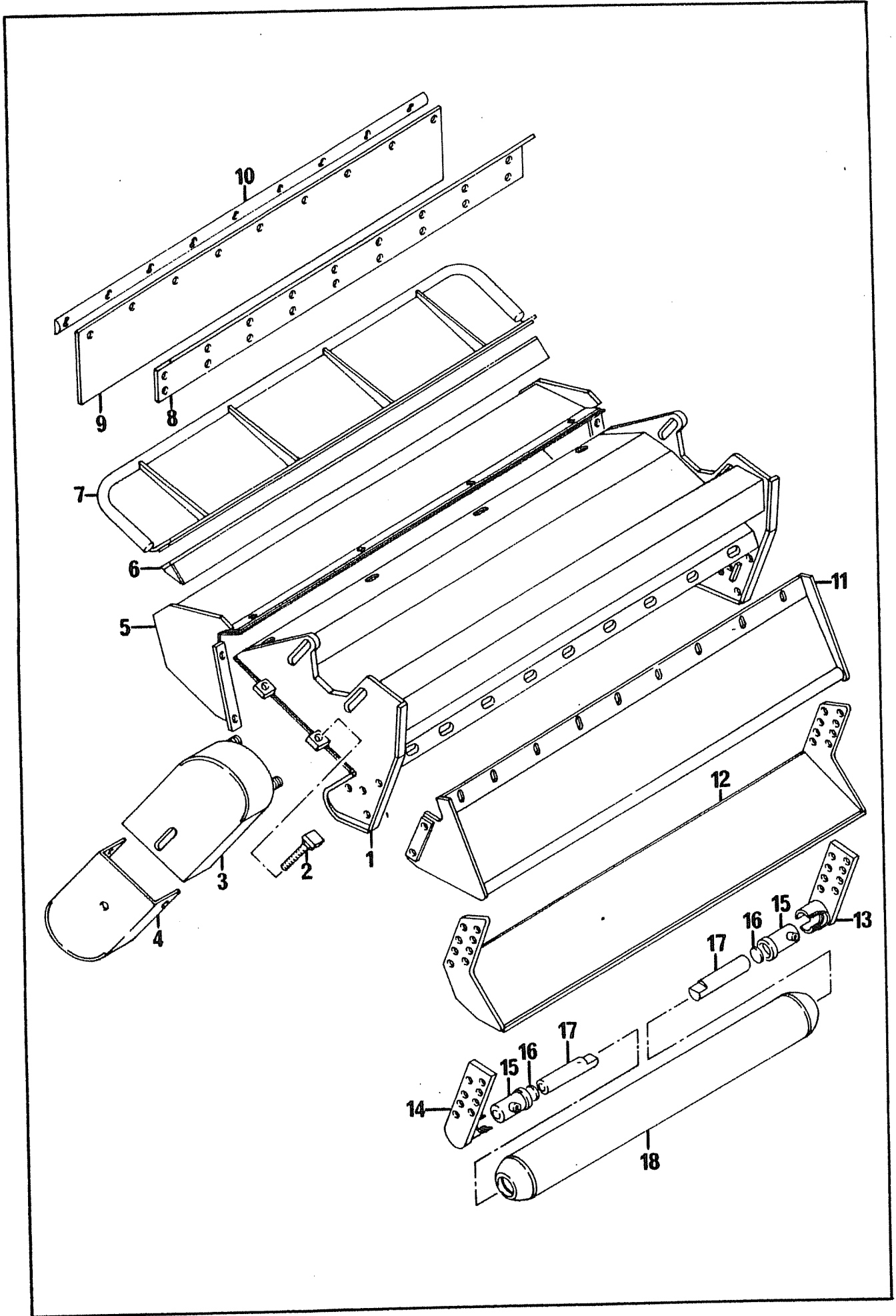
CHECK REAR OF MANUAL FOR UPDATES



Ref.	Part No.	Description	Serial No. from - up to	Qty.
14	03 788 03	Skid 1500mm		1
	05 264 25	Setscrew M12 x 40mm		4
	05 282 03	Spring washer 12mm		4
	05 287 03	Self locking nut M12		4
15	04 173 02	Bracket - Roller RH		1
16	04 173 01	Bracket - Roller LH		1
	05 264 25	Setscrew M12 x 40mm		4
	05 282 03	Spring washer 12mm		4
	05 287 03	Self locking nut M12		4
17	05 896 18	Bearing - Bush 1.1/16in dia		2
	01 070 04	Grease nipple 1/8in BSP		2
18	05 896 17	Thrust washer 25mm O/D		2
19	01 328 03	Shaft-roller		2
20	01 328 06	Roller 1500mm		1

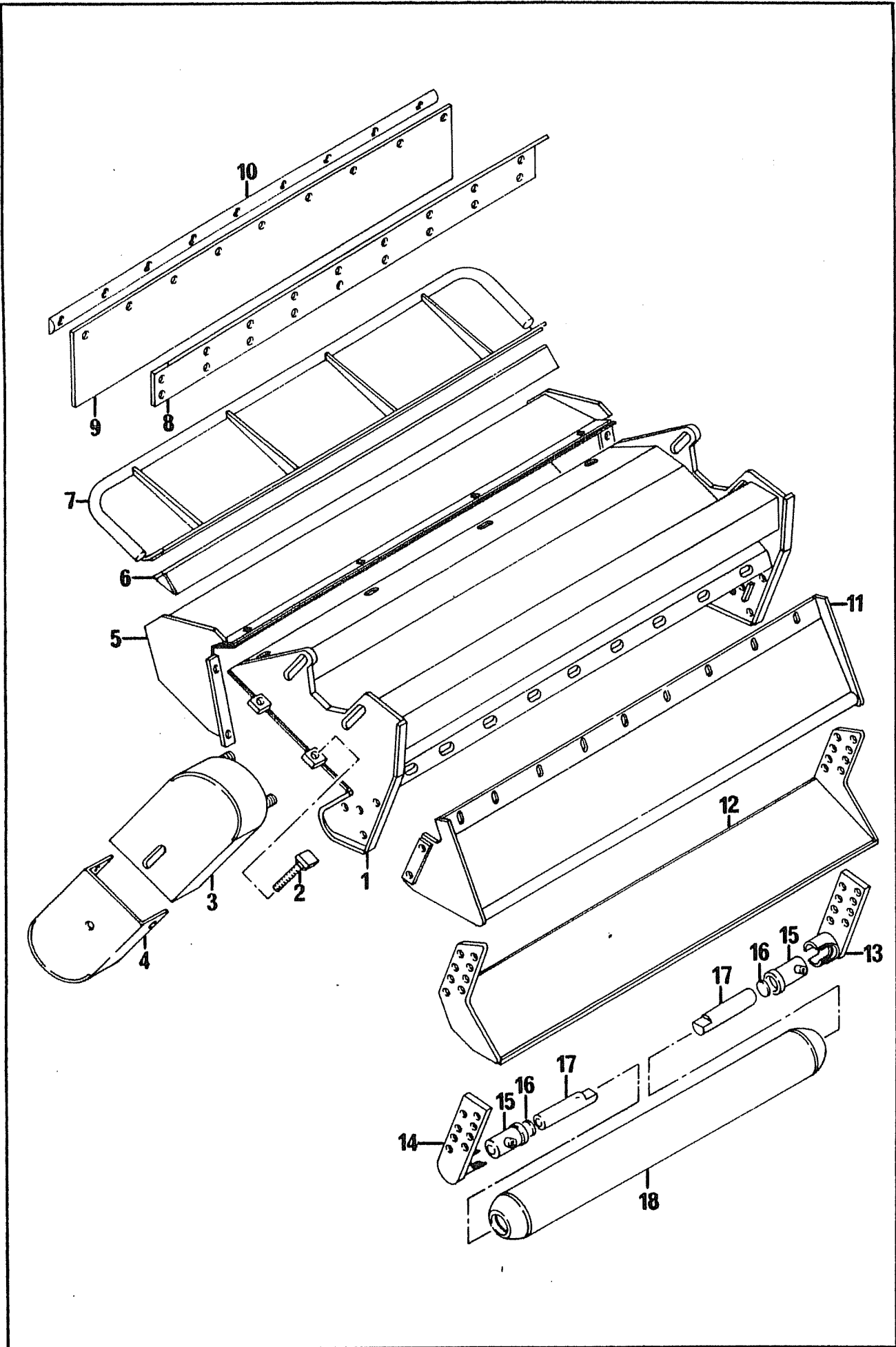
---

CHECK REAR OF MANUAL FOR UPDATES



Ref.	Part No.	Description	Serial No. from - up to	Qty.
1	04 247 01	Cowl - multipurpose		1
	05 774 01	Serial number plate		1
	05 227 01	Hammer drive screw No. 6 x 3/8in		2
2	04 155 01	Special bolt - M12 x 110mm		2
	05 286 03	Nut M12		4
3	04 153 01	Guard - Top drive		1
	05 281 03	Flat washer 12mm		2
	05 282 03	Spring washer 12mm		2
	05 286 03	Nut M12		2
4	04 249 01	Guard - Bottom drive		1
	05 281 03	Flat washer 12mm		1
	05 282 03	Spring washer 12mm		1
	05 264 22	Setscrew M12 x 25mm		1
	05 282 03	Spring washer 12mm		1
	05 286 03	Nut 12mm		1
5	04 261 01	Guard - Front hood		1
	05 264 14	Setscrew M10 x 35mm		8
	05 281 02	Flat washer 10mm		16
	05 282 02	Spring washer 10mm		8
	05 286 02	Nut M10		8
6	03 768 01	Bracket - Wire cutter		1
7	03 767 01	Guard - Front		1
	05 264 15	Setscrew M10 x 40mm		4
	05 281 02	Flat washer 10mm		8
	05 282 02	Spring washer 10mm		4
	05 286 02	Nut M10		4
8	00 883 01	Bracket - Guard Angle		1
9	00 875 05	Guard - Plastic		1
	05 291 01	Bolt - M8 x 30mm		9
	05 287 01	Self Locking Nut M8		9
10	00 883 02	Strip - Guard backing		1
11	04 250 01	Guard - Rear		1
	05 264 23	Setscrew M12 x 30mm		4
	05 282 03	Spring washer 12mm		4
	05 286 03	Nut M12		4
	05 965 13	Setscrew M10 x 1.25 x 30mm (fine)		9
	05 281 02	Flat washer 10mm		18
	05 968 02	Self locking nut M10 x 1.25 (fine)		9
12	03 788 01	Skid - 1100mm		1

CHECK REAR OF MANUAL FOR UPDATES

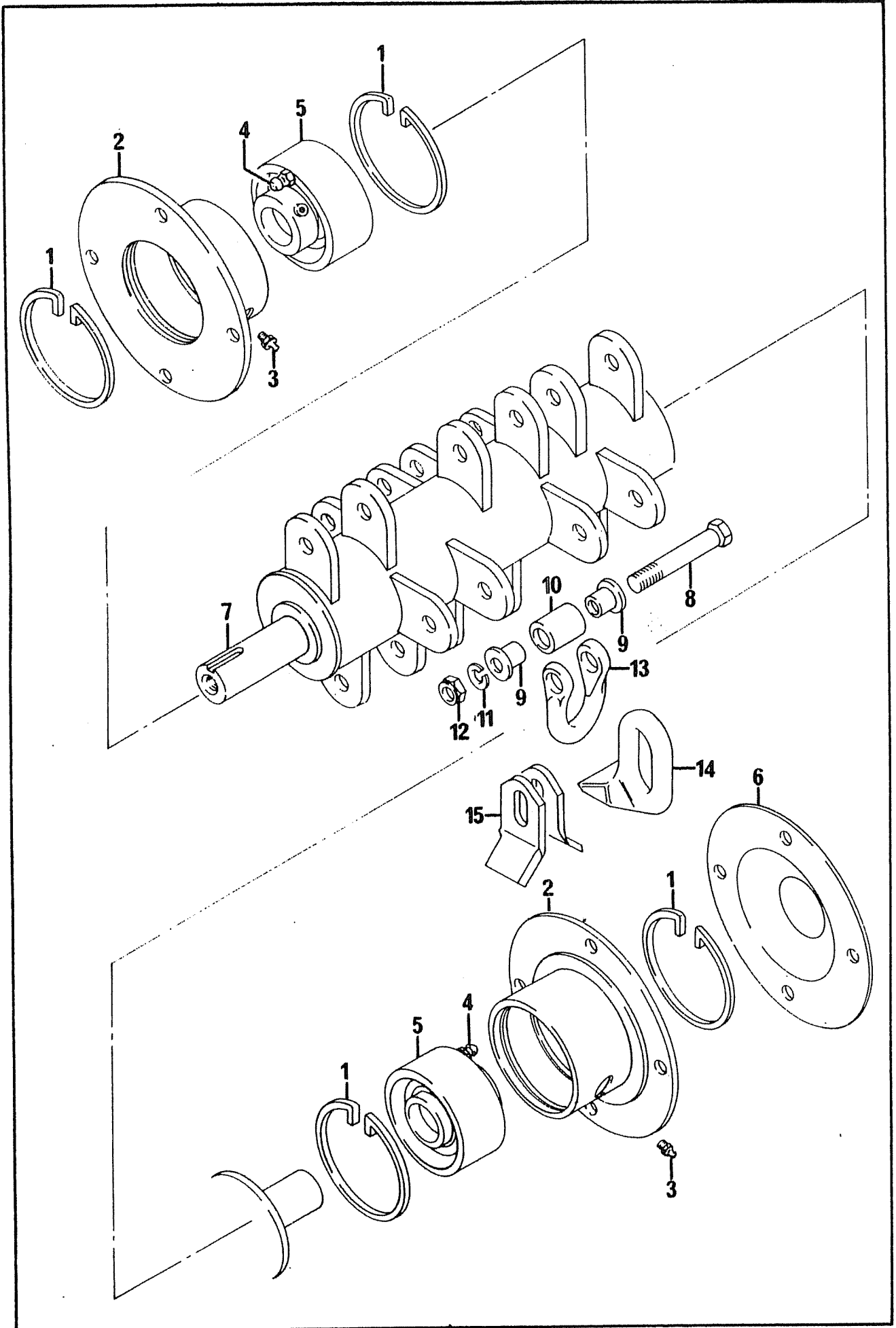


Ref.	Part No.	Description	Serial No. from - up to	Qty.
	05 264 25	Setscrew M12 x 40mm		4
	05 282 03	Spring washer 12mm		4
	05 287 03	Self locking nut M12		4
13	04 173 02	Bracket - Roller RH		1
14	04 173 01	Bracket - Roller LH		1
	05 264 25	Setscrew M12 x 40mm		4
	05 282 03	Spring washer 12mm		4
	05 287 03	Self locking nut M12		4
15	05 896 18	Bearing - Bush 1.1/16in dia		2
	01 070 04	Grease nipple 1/8in BSP		2
16	05 896 17	Thrust washer 25mm O/D		2
17	01 328 03	Shaft - Roller		2
18	01 328 04	Roller 1100mm		1

---

CHECK REAR OF MANUAL FOR UPDATES

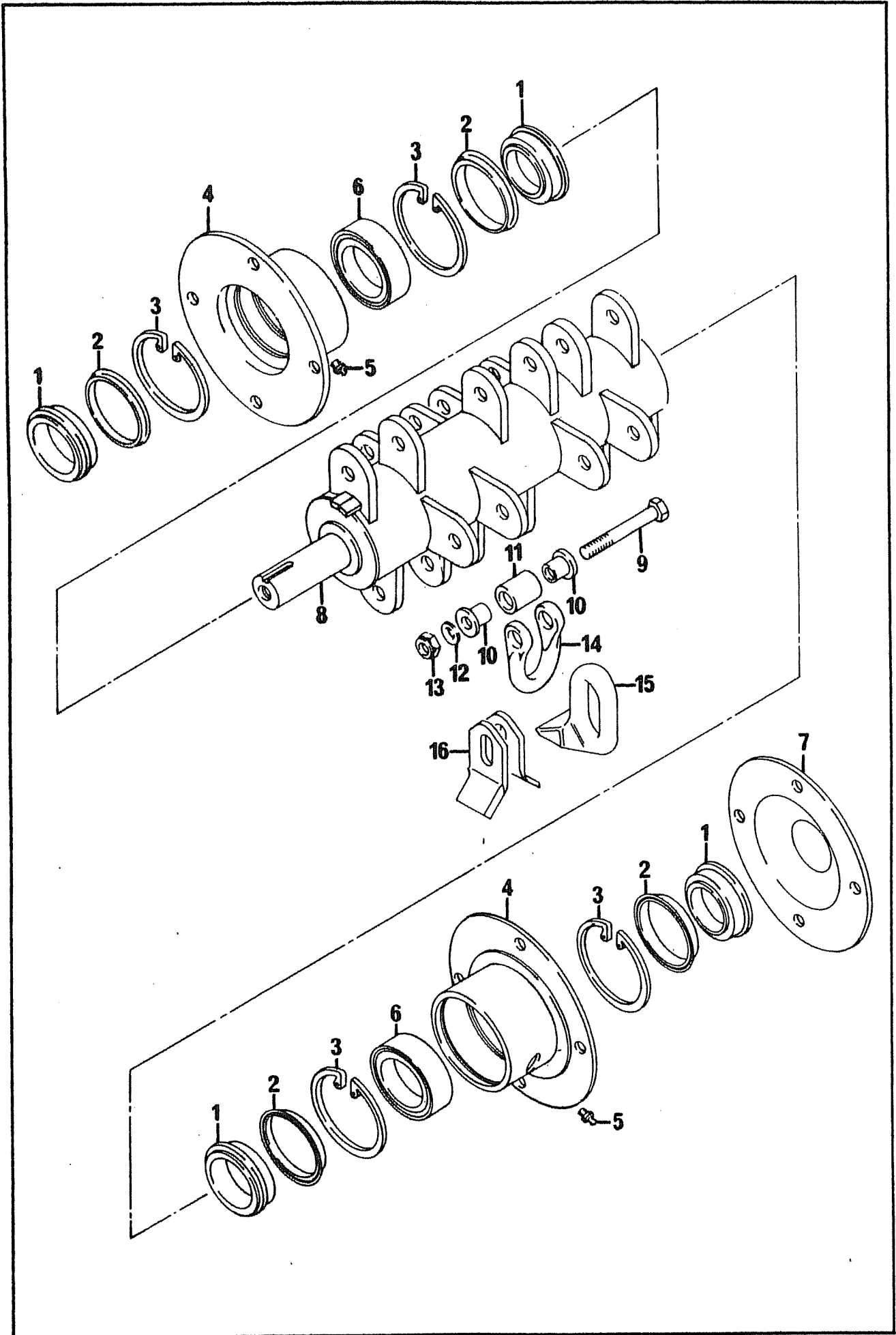
# Rotor Shaft 1100





Ref.	Part No.	Description	Serial No. from - upto	Qty.
1	01 072 01	Circlip - Int 4.1/16in dia		4
2	00 865 02	Housing - Bearing		2
	05 264 23	Setscrew M12 x 30mm		8
	05 282 03	Spring washer 12mm		8
	05 286 03	Nut M12		8
3	05 953 01	Grease nipple M6		2
4	01 070 03	Grease nipple 1/4in UNF x 17mm		2
5	01 080 04	Bearing assembly - Cartridge 1.1/2in bore		2
6	00 876 02	Guard - Bearing		1
7		Rotor shaft - 1133mm Tubular		1
	05 234 01	Washer 1.3/4in O/D x 17/32in I/D x 3/16in		1
	05 283 03	Shakeproof washer 12mm		1
	05 264 23	Setscrew M12 x 30mm		1
8	05 775 02	Bolt M10 x 1.25 x 86mm (fine)		32
9	02 801 01	Collar		64
10	02 807 01	Spacer 25.4in O/D x 16mm I/D x 27mm		32
11	05 282 02	Spring washer 10mm		32
12	05 968 02	Self locking nut M10 x 1.25 (fine)		32
13	05 895 01	Shackle		32
14	02 959 01	Flail - Forged		32
15	02 812 01	Flail - Formed		64

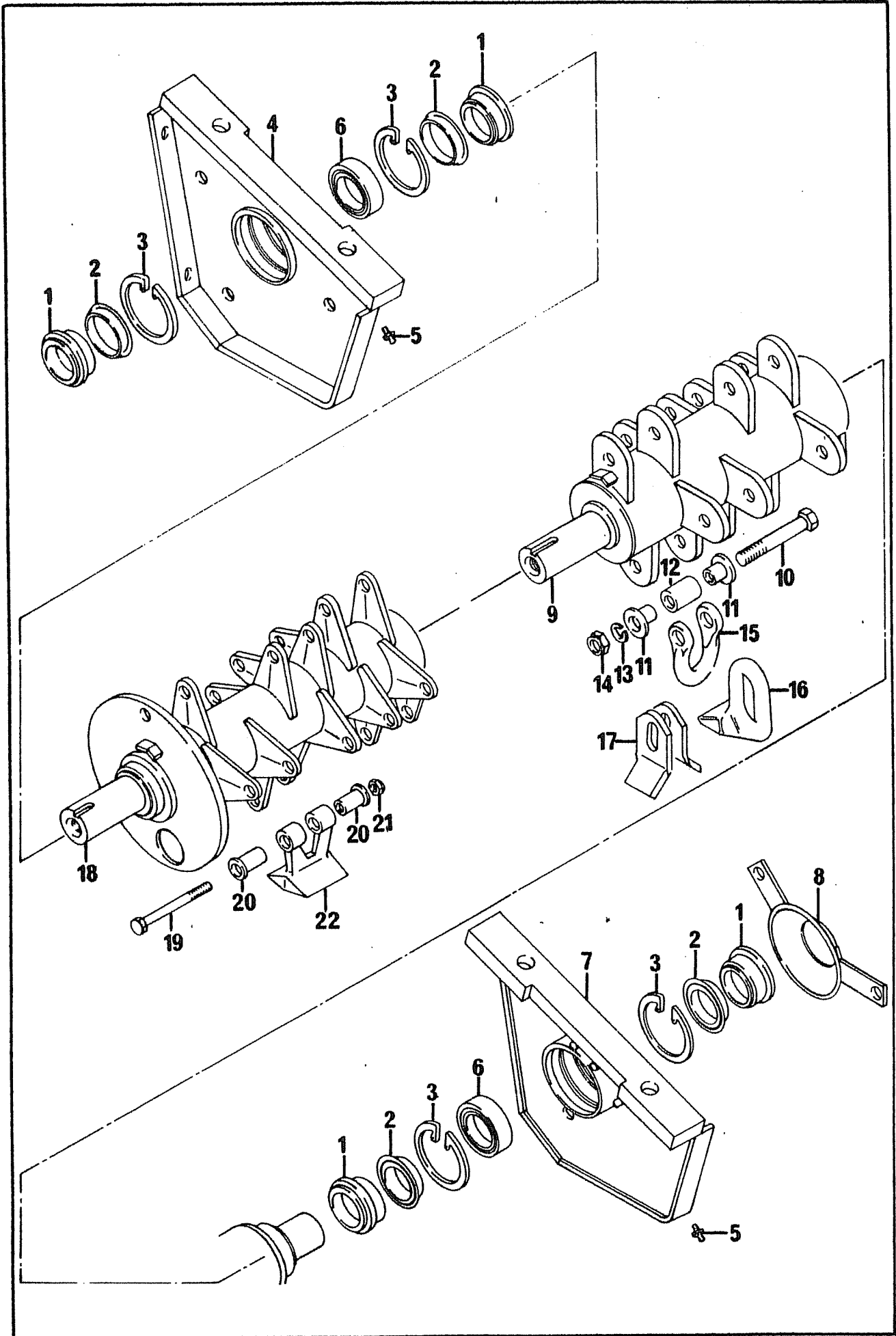
CHECK REAR OF MANUAL FOR UPDATES



Ref.	Part No.	Description	Serial No. from - up to	Qty.
1	04 251 01	Collar - seal 45mm bore x 17mm		4
2	04 164 02	Seal - Single lip 70mm bore x 8mm		4
3	05 959 07	Circlip - Int 85mm dia		4
4	04 268 01	Housing - Bearing		2
	05 264 23	Setscrew M12 x 30mm		8
	05 282 03	Spring washer 12mm		8
	05 286 03	Nut M12		8
5	05 953 03	Grease nipple M10		2
6	04 163 04	Bearing - Spherical roller 45mm bore		2
7	00 876 02	Guard - Bearing		1
8		Rotor shaft - 1500mm tubular		1
	04 252 01	Washer 65mm O/D x 17mm I/D x 6mm		2
	05 283 04	Shakeproof washer 16mm		2
	05 264 33	Setscrew M16 x 30mm		2
9	05 775 02	Bolt M10 x 1.25 x 86mm (fine)		44
10	02 801 01	Collar		88
11	02 807 01	Spacer 25.4mm O/D x 16mm I/D x 27mm		44
12	05 282 02	Spring washer 10mm		44
13	05 968 02	Self locking nut M10 x 1.25 (fine)		44
14	05 895 01	Shackle		44
15	02 959 01	Flail - Forged		44
16	02 812 01	Flail - Formed		88

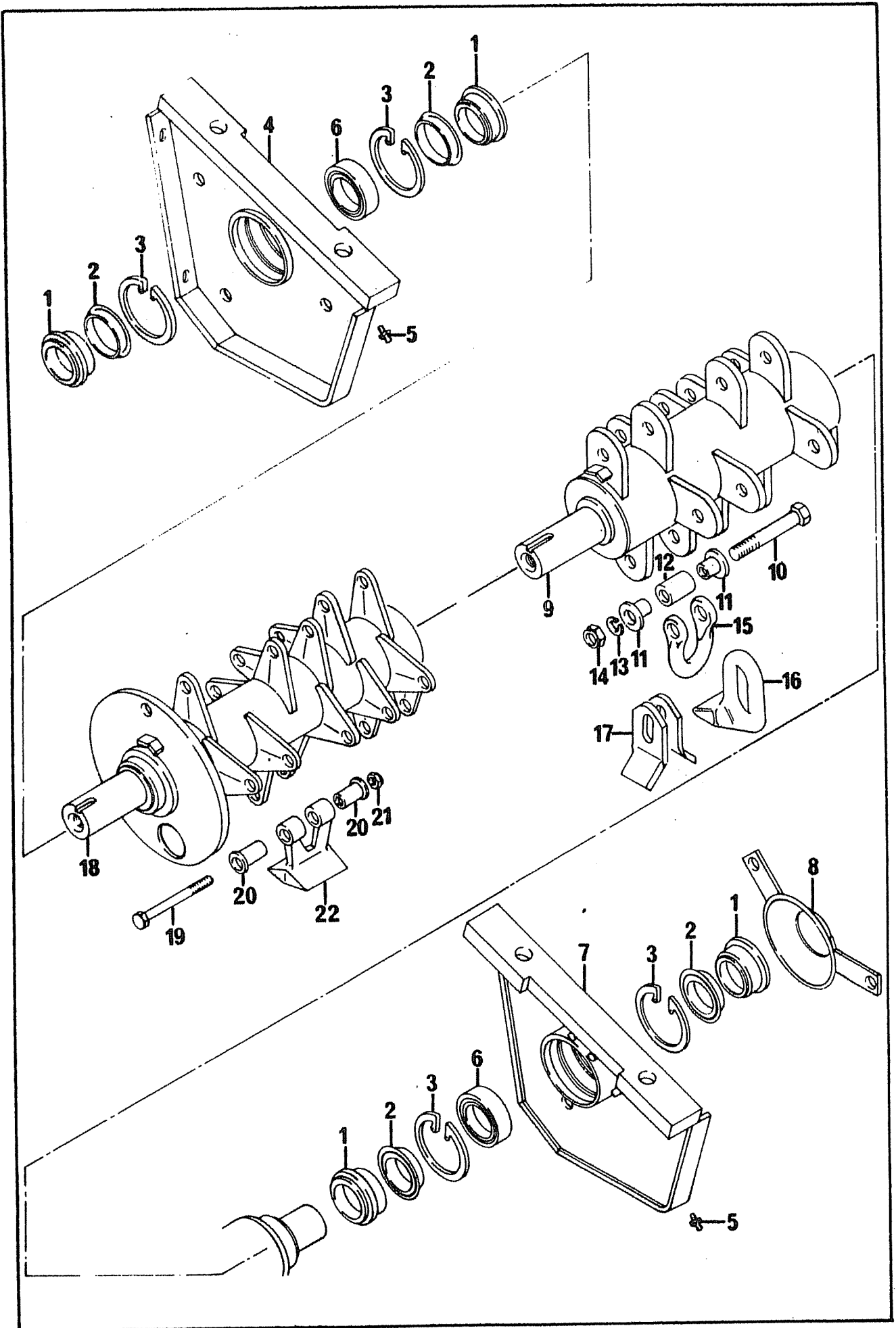
---

CHECK REAR OF MANUAL FOR UPDATES



Ref.	Part No.	Description	Serial No. from - up to	Qty.
1	04 251 01	Collar - Seal 45mm bore x 17mm		A/R
	04 251 02	Collar - Seal 45mm bore x 15.5mm (marked 02)		A/R
2	04 164 02	Seal single lip 70mm bore x 8mm		4
3	05 959 07	Circlip - Int 85mm dia		4
4	04 248 01	Housing - Bearing LH		1
	05 252 34	Bolt 5/8in UNF x 2in		2
	05 282 04	Spring washer 16mm		2
	05 295 05	Self locking nut 5/8in UNF		2
5	05 953 03	Grease nipple M10		2
6	04 163 04	Bearing - Spherical Roller 45mm bore		2
7	04 248 02	Housing - Bearing RH		1
	05 252 34	Bolt 5/8in UNF x 2in		2
	05 282 04	Spring washer 16mm		2
	05 295 05	Self locking nut 5/8in UNF		2
8	04 255 01	Guard - Bearing		1
	05 264 22	Setscrew M12 x 25mm		2
	05 282 03	Spring washer 12mm		2
	05 286 03	Nut M12		2
9		Rotor shaft - 1133mm Tubular		1
	04 252 01	Washer 65mm O/D x 17mm I/D x 6mm		2
	05 283 04	Shakeproof washer 16mm		2
	05 264 33	Setscrew M16 x 30mm		2
10	05 775 02	Bolt M10 x 1.25 x 86mm (fine)		32
11	02 801 01	Collar		64
12	02 807 01	Spacer 25.4mm O/D x 16mm I/D x 27mm		32
13	05 282 02	Spring washer 10mm		32
14	05 968 02	Self locking nut M10 x 1.25 (fine)		32
15	05 895 01	Shackle		32
16	02 959 01	Flail - forged		32
17	02 812 01	Flail - formed		64

CHECK REAR OF MANUAL FOR UPDATES

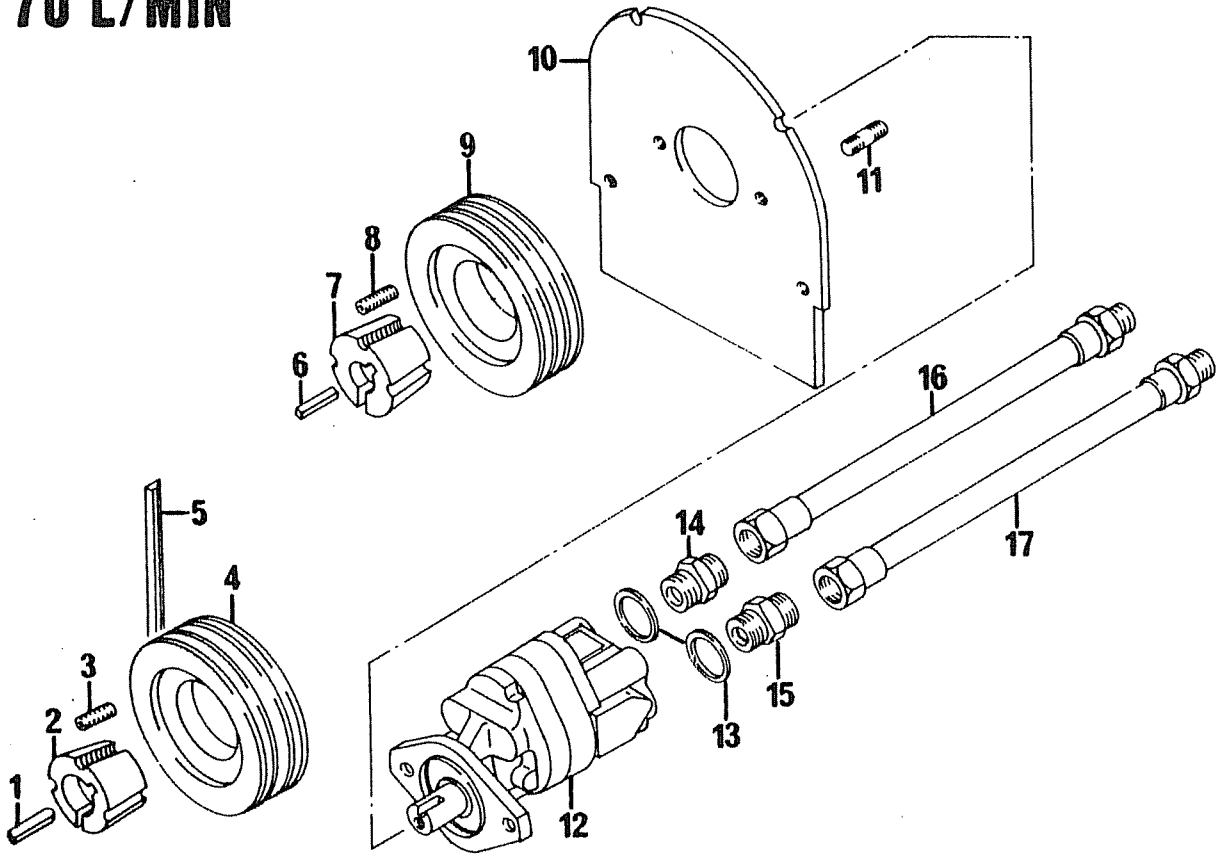


Ref.	Part No.	Description	Serial No. from - up to	Qty.
18		Rotor shaft - Bushmaster		1
	04 252 01	Washer 65mm O/D x 17mm I/D x 6mm		2
	05 283 04	Shakeproof washer 16mm		2
	05 264 33	Setscrew M16 x 30mm		2
19	05 411 01	Bolt 1/2in UNF x 4.7/8in		24
20	03 437 01	Collar		48
21	05 410 01	Self locking nut 1/2in UNF		24
22	03 958 01	Flail - forged		24

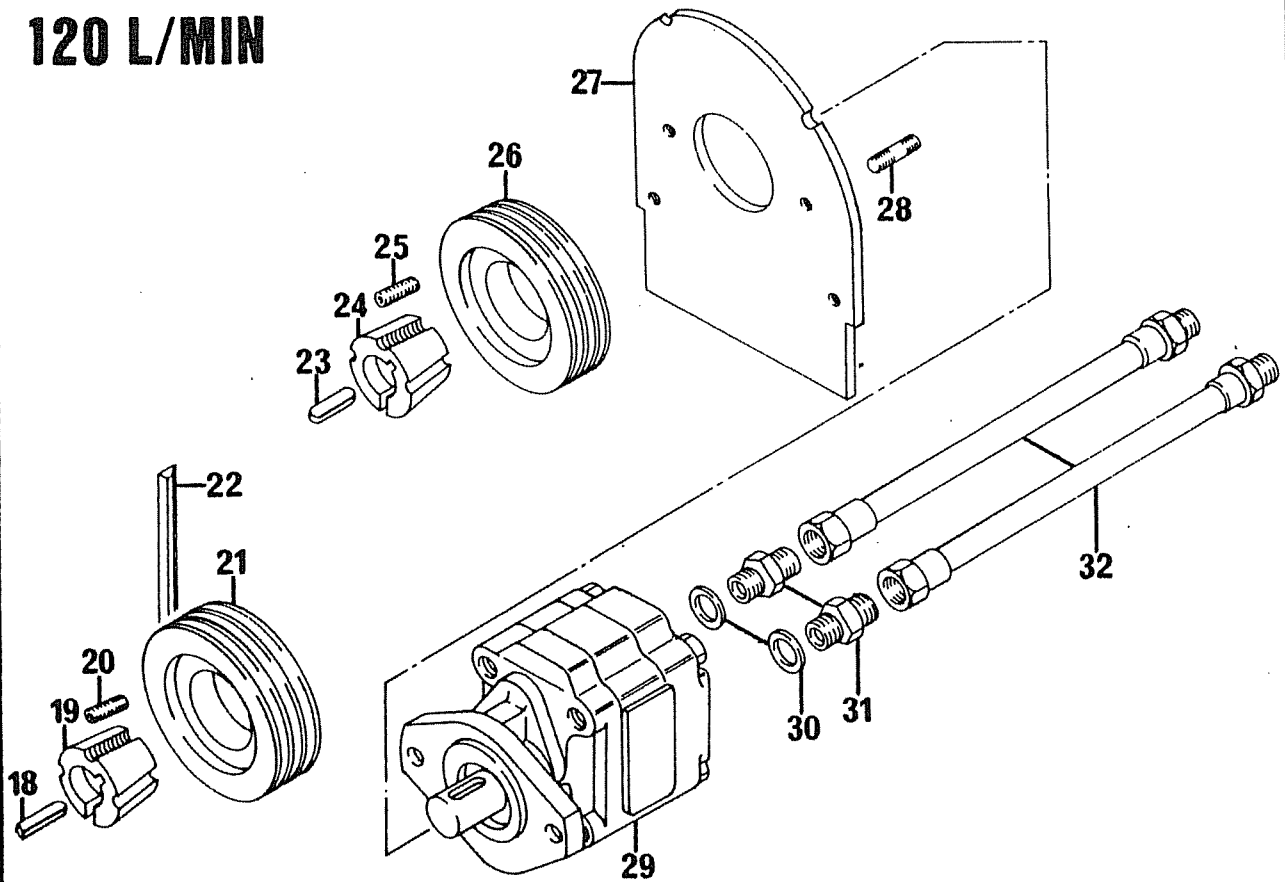
---

CHECK REAR OF MANUAL FOR UPDATES

## 70 L/MIN



## 120 L/MIN





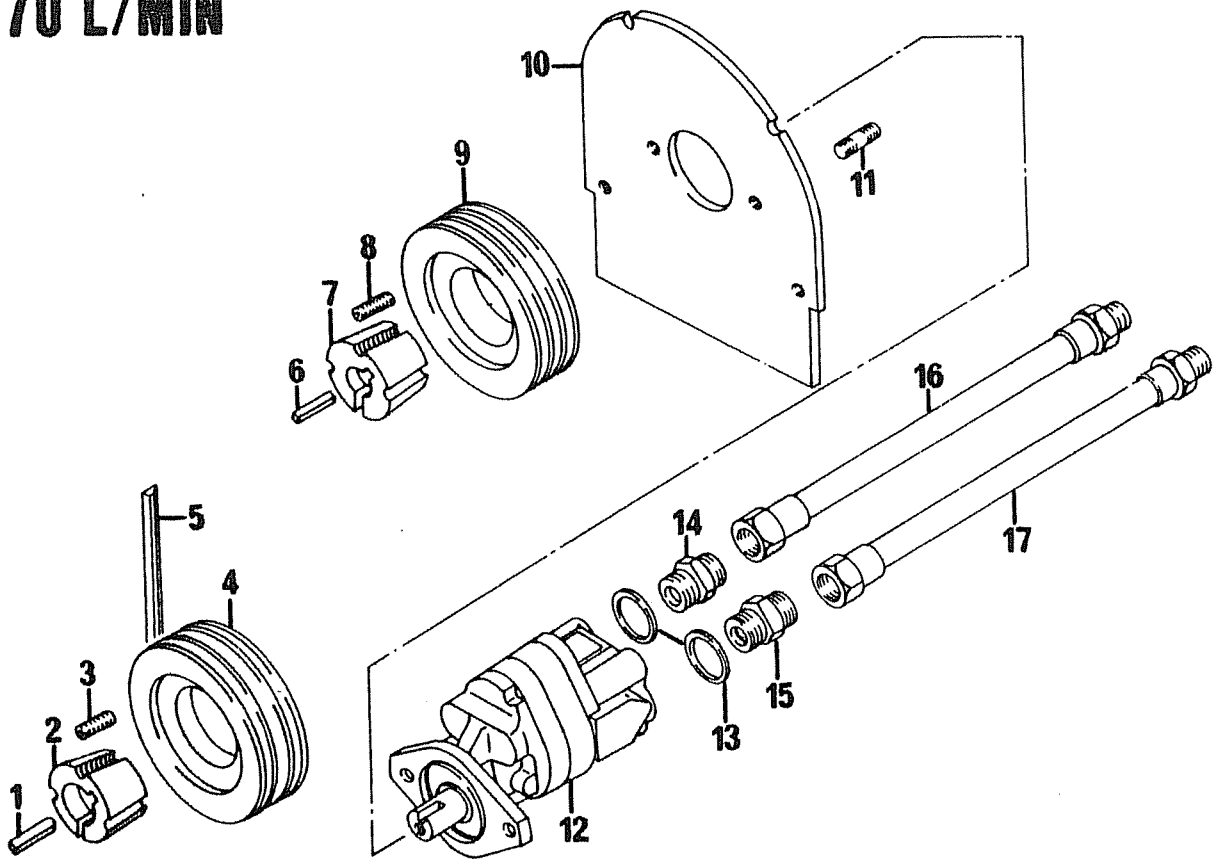
Ref.	Part No.	Description	Serial No. from - up to	Qty.
<b>70 L/MIN</b>				
1	05 960 13	Key S/Rep 9mm x 14mm x 45mm		1
*1	05 960 12	Key S/Rep 1/4in x 3/8in x 1.5/16in		1
2	05 424 17	Taper lock bush 45mm bore		1
*2	05 424 16	Taper lock bush 1.1/2in bore		1
3	05 424 11	Socket grub screw 1/2in BSW x 1in		2
4	03 795 01	Pulley - Vee 160mm P.C.D. 3 S.P.A.		1
5	05 299 24	Belt - Vee S.P.A. 1060mm		3
6	02 865 20	Key S.E.P. 1/4in x 1/4in x 1in		1
7	05 424 01	Taper lock bush 7/8in bore		1
8	05 424 11	Socket grub screw 1/2in BSW x 1 in		2
9	03 795 01	Pulley - Vee 160mm P.C.D. 3 S.P.A.		1
10	04 151 01	Plate - Motor mounting		1
	05 264 24	Setscrew M12 x 35mm		2
	05 281 03	Flat washer 12mm		2
	05 282 03	Spring washer 12mm		2
	05 286 03	Nut M12		2
11	03 100 01	Stud M10 x 40mm		2
	05 282 02	Spring washer 10mm		2
	05 286 02	Nut M10		2
12	02 865 37	Motor assembly (Hamworthy)		1
	02 865 02	Seal kit for (02 865 37) motor		-
13	05 290 07	Bonded seal 1in BSP		2
14	05 373 01	Adaptor 1in x 3/4in BSP		1
15	05 434 01	Adaptor 1in x 1in BSP		1
+16	04 160 03	Pipe - Steel 3/4in x 3/4in BSP		1
+17	04 160 01	Pipe - Steel 1in x 1in BSP		1

**120 L/MIN**

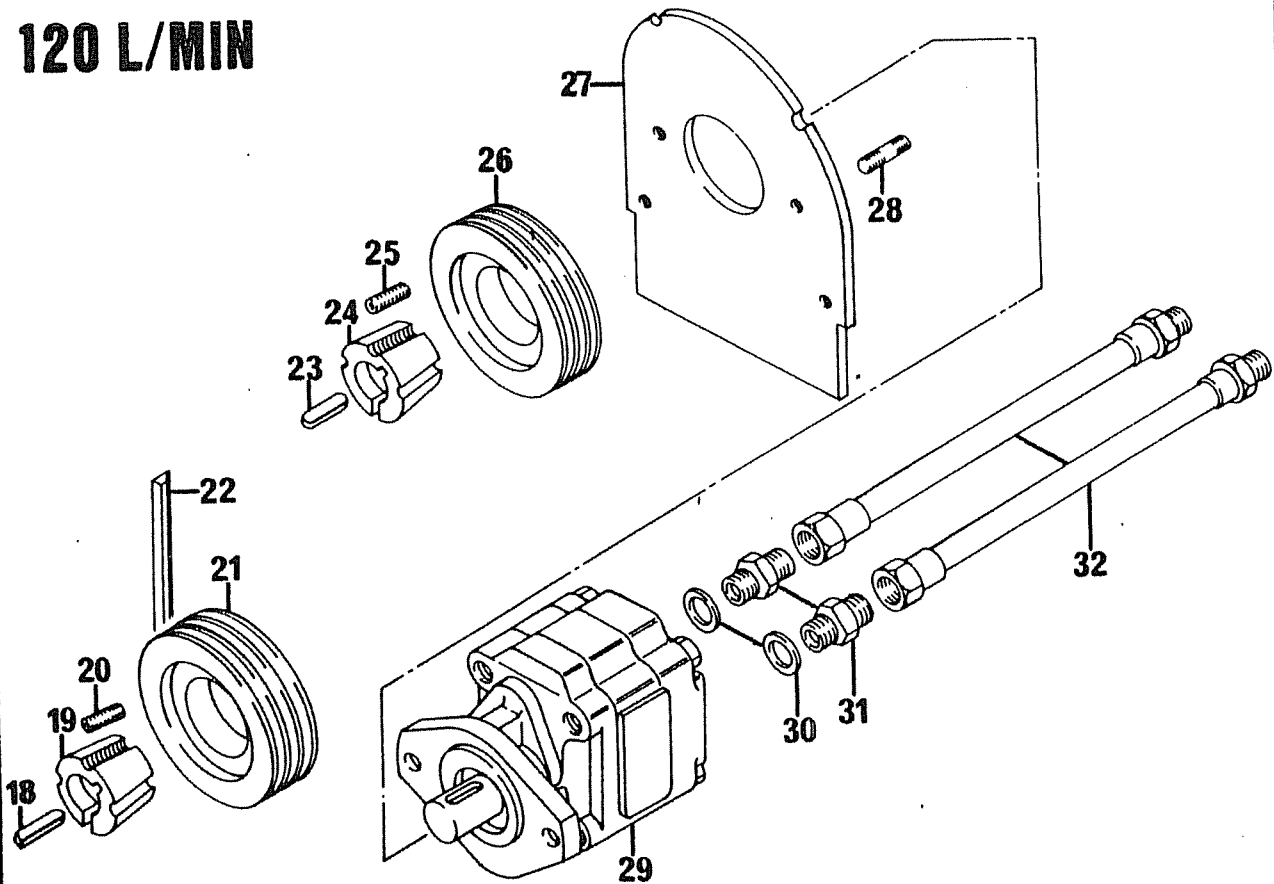
18	05 960 13	Key S/Rep 9mm x 14mm x 45mm		1
*18	05 960 12	Key S/Rep 1/4in x 3/8in x 1.5/16in		1
19	05 424 17	Taper lock bush 45mm bore		1
*19	05 424 16	Taper lock bush 1.1/2in bore		1
20	05 424 11	Socket grub screw 1/2in BSW x 1in		2
21	03 795 03	Pulley - Vee 140mm P.C.D. 3 S.P.A.		1
22	05 299 24	Belt - Vee S.P.A. 1060mm		3
23	05 686 02	Key R.E.P. 5/16in x 15/32in x 1.1/2in		1
24	05 424 10	Taper lock bush 1.1/4in bore		1

CHECK REAR OF MANUAL FOR UPDATES

## 70 L/MIN



## 120 L/MIN

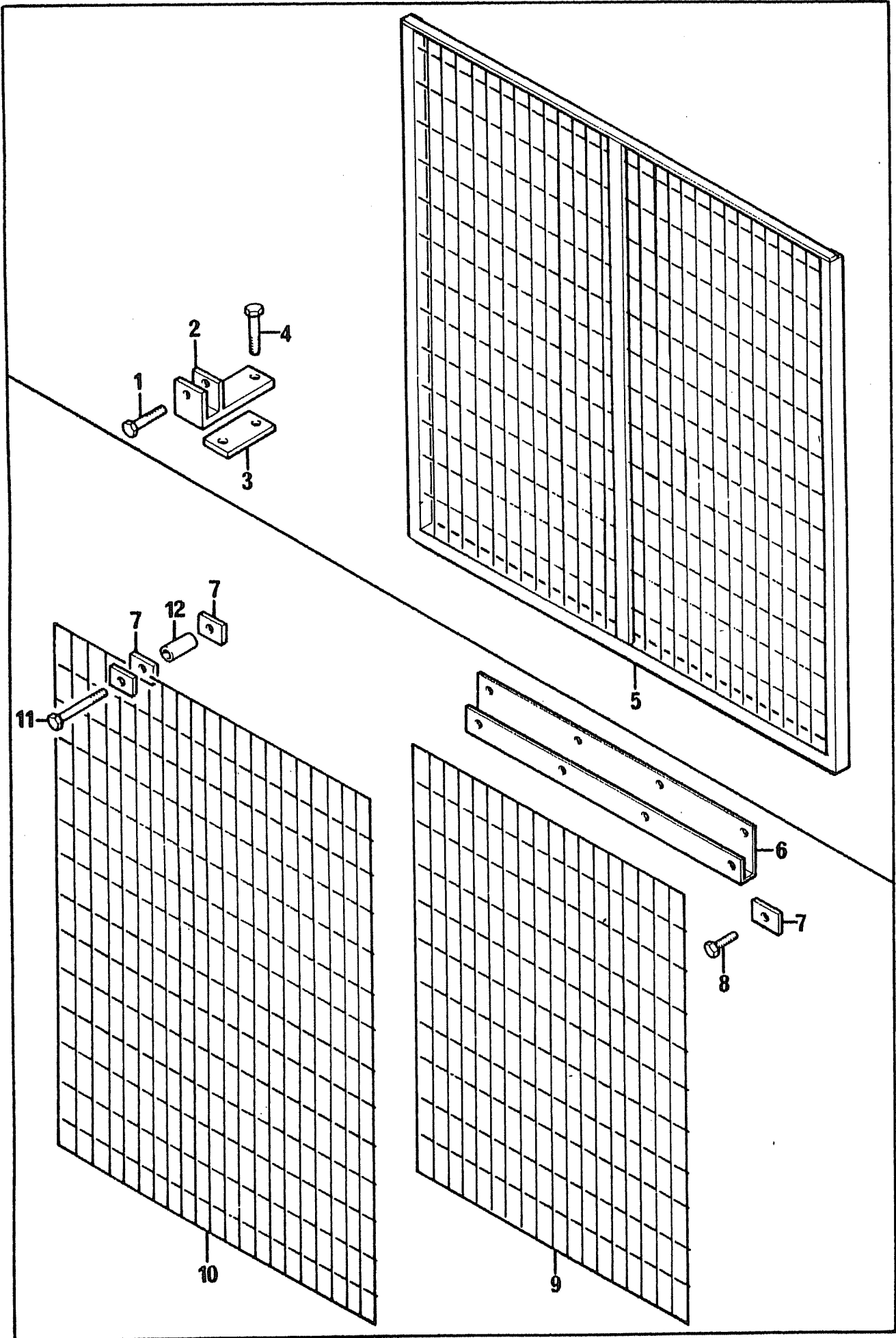


Ref.	Part No.	Description	Serial No. from - up to	Qty.
25	05 424 11	Socket grub screw 1/2in BSW x 1in		2
26	03 795 01	Pulley - Vee 160mm P.C.D. 3 S.P.A.		1
27	04 152 01	Plate - Motor mounting		1
	05 264 24	Setscrew M12 x 35mm		2
	05 281 03	Flat washer 12mm		2
	05 282 03	Spring washer 12mm		2
	05 286 03	Nut M12		2
28	04 149 01	Stud M12 x 45mm		2
	05 282 03	Spring washer 12mm		2
	05 286 03	Nut M12		2
29	05 686 01	Motor assembly (Commercial)		1
	05 705 01	Seal kit for (05 686 01) motor		-
30	05 290 06	Bonded seal 3/4in BSP		2
31	05 373 01	Adaptor 1in x 3/4in BSP		2
+ 32	04 160 01	Pipe - steel 1in x 1in BSP		2

\* Items for 1100 head only

+ Items for 1500 head only

CHECK REAR OF MANUAL FOR UPDATES



Ref.	Part No.	Description	Serial No. from - up to	Qty.
	90 050 25	Guard kit		
1	05 252 14	Bolt 3/8 UNF x 2in		2
	05 282 02	Spring washer 10mm		2
	05 288 02	Nut 3/8 UNF		2
2	01 842 01	Clamp - guard		2
3	01 842 02	Plate - clamp		2
4	05 252 30	Bolt 1/2 UNF x 3.1/2in		4
	05 293 05	Spring washer 1/2in		4
	05 288 04	Nut 1/2 UNF		4
5	01 843 01	Guard - mesh c/w frame		1
	90 050 05	Cab guard kit		
6	01 859 03	Bracket - cab guard		2
7	01 859 05	Plate - clamp		16
8	05 216 06	Setscrew 5/16 UNF x 3/4in		6
	05 288 01	Nut 5/16 UNF		6
	05 282 01	Spring washer 8mm		6
9	01 859 02	Guard - mesh 610mm x 760mm		1
10	01 859 01	Guard - mesh 760mm x 915mm		1
11	05 216 05	Bolt 5/16 UNF x 3in		4
12	01 859 04	Spacer - 3/8in bore x 51mm		4
	05 281 01	Washer 8mm		6
	05 282 01	Spring washer 8mm		4
	05 288 01	Nut 5/16 UNF		4

CHECK REAR OF MANUAL FOR UPDATES


# BOMFORD

1

# BOMFORD

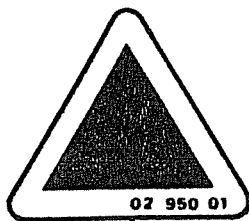
2

**LIFT FROM POINTS  
MARKED WITH**



**SUITABLE FOR PRE-ASSEMBLY  
TRANSIT ONLY** 02 948 01

4



5




6


3

No 1. Show guards as they may be fitted for despatch. The guards must be fitted as in 2,3,4 or 5 depending on the type of work carried out with either shaft or flail arrangement fitted. Do not operate with guards as in No 1.

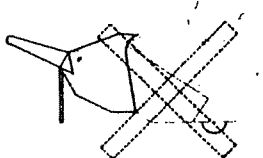
**2. HEDGETRIMMING  
- REVERSE ROTATION.**




**3. GROUND LEVEL CUTTING  
- REVERSE ROTATION.**




**1. IF DESPATCHED LIKE THIS DO NOT OPERATE.**



**4. HEDGETRIMMING  
- FORWARD ROTATION.**



**5. GROUND LEVEL CUTTING  
- FORWARD ROTATION.**



Additional plastic guards may be fitted to the front or rear of the cowl to those shown above if further guarding is required.

---

Ref.	Part No.	Description	Qty.
1	02 075 01	Decal - Bomford	1
2	05 455 01	Decal - Bomford	1
*3	03 614 02	Decal - Guarding instruction	1
4	02 948 01	Decal - Lift point instruction	1
5	02 950 01	Decal - Lift point	2
6	03 785 01	Decal - Grease	2

\*Item for I.S.M.P. head only

---

CHECK REAR OF MANUAL FOR UPDATES