

PUBLICATION 5232

# **TURNER**

## **HYDRAULIC CUTTING HEADS**

**PARTS MANUAL**

NOTE: PAGE & ILLUSTRATION NUMBERS SHOWN ARE USED ONLY FOR REFERENCE PURPOSES AND SHOULD NOT BE USED FOR ORDERING SPARE PARTS. PLEASE GIVE FULL PART NUMBER AND DESCRIPTION WHEN ORDERING SPARE PARTS.

FOR MACHINE WITH SERIAL NUMBERS COMMENCING FROM:

1.2SX HEAD .....

1.5SX HEAD .....

LWR HEAD .....

BRUSHBUSTER .....

<u>PAGE NO.</u>	<u>TITLE</u>	<u>ISSUE NUMBER</u>
1-2	APPROVED BUILDS	
2-1 TO 2-18	1.2SX HEAD	1188
3-1 TO 3-13	1.5SX HEAD	1188
4-1 TO 4-13	BRUSHBUSTER HEAD	1188
5-1 TO 5-13	LIGHTWEIGHT ROTARY HEAD	1188

## **IMPORTANT**

**IT IS POTENTIALLY HAZARDOUS TO FIT OR USE ANY PARTS OTHER THAN GENUINE TURNER PARTS. THE COMPANY DISCLAIMS ALL LIABILITY FOR THE CONSEQUENCES OF SUCH USE, WHICH IN ADDITION VOIDS THE MACHINE WARRANTY.**

THE ILLUSTRATIONS AND TEXT COMBINE STANDARD, ALTERNATIVE AND OPTIONAL PARTS AND MUST NOT BE USED AS A PRODUCT SPECIFICATION.

CHECK REAR OF MANUAL FOR UPDATES

APPROVED BUILDS OF HEAD TO MACHINES17SX AND 19SX

*1.2M	HEAD FORWARD MOUNTED	13800, 6202	FLAILS
*1.2M	TOP MOUNTED	13800, 6202	FLAILS
*1.5M	TOP MOUNTED	13800, 6202	FLAILS
*1.2M	BRUSHBUSTER		
*1.5M	ROTARY HEAD		
*1.2M	POWERED TURNTABLE		

25SX

1.2M	HEAD FORWARD MOUNTED	13800, 6202	FLAILS
*1.2M	HEAD TOP MOUNTED	13800, 6202	FLAILS
*1.2M	HEAD POWERED TURNTABLE		

SS545

*1.2M	HEAD FORWARD MOUNTED	13800, 6202	FLAILS
1.2M	HEAD TOP MOUNTED	13800, 6202	FLAILS
*1.5M	HEAD TOP MOUNTED	13800, 6202	FLAILS
1.2M	BRUSHBUSTER		

\*STANDARD BUILDS

CONTENTS

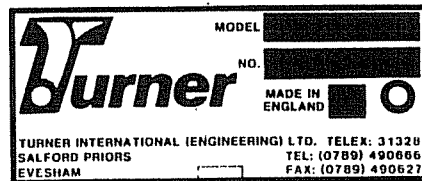
<u>PAGE NO.</u>	<u>TITLE</u>	<u>SCHEDULE NO.</u>
2-2	DECALS - COWL	70.013.02
2-4	COWL ASSEMBLY	70.014.01
2-6	BEARING ASSEMBLY	70.015.01
2-8	MOTOR ASSEMBLY	70.016.01
2-10	1.2SX SHAFT ASSEMBLY - 6202 CUTTERS	70.506.01
2-10	1.2SX SHAFT ASSEMBLY - 13800 CUTTERS	70.237.01
2-12	1.2SX SWIVEL/SLIDING HEAD MOUNT	70.073.01
2-14	1.2SX TURNTABLE/SLIDING HEAD MOUNT	70.005.01
2-16	1.2SX POWERED TURNTABLE HEAD MOUNT	-



5

**WARNING**  
**ROTATING CUTTERS**  
**- KEEP AWAY**

4



3

**WARNING**  
**DISENGAGE DRIVE TO**  
**CUTTING HEAD BEFORE**  
**INDEXING TURNTABLE**

1

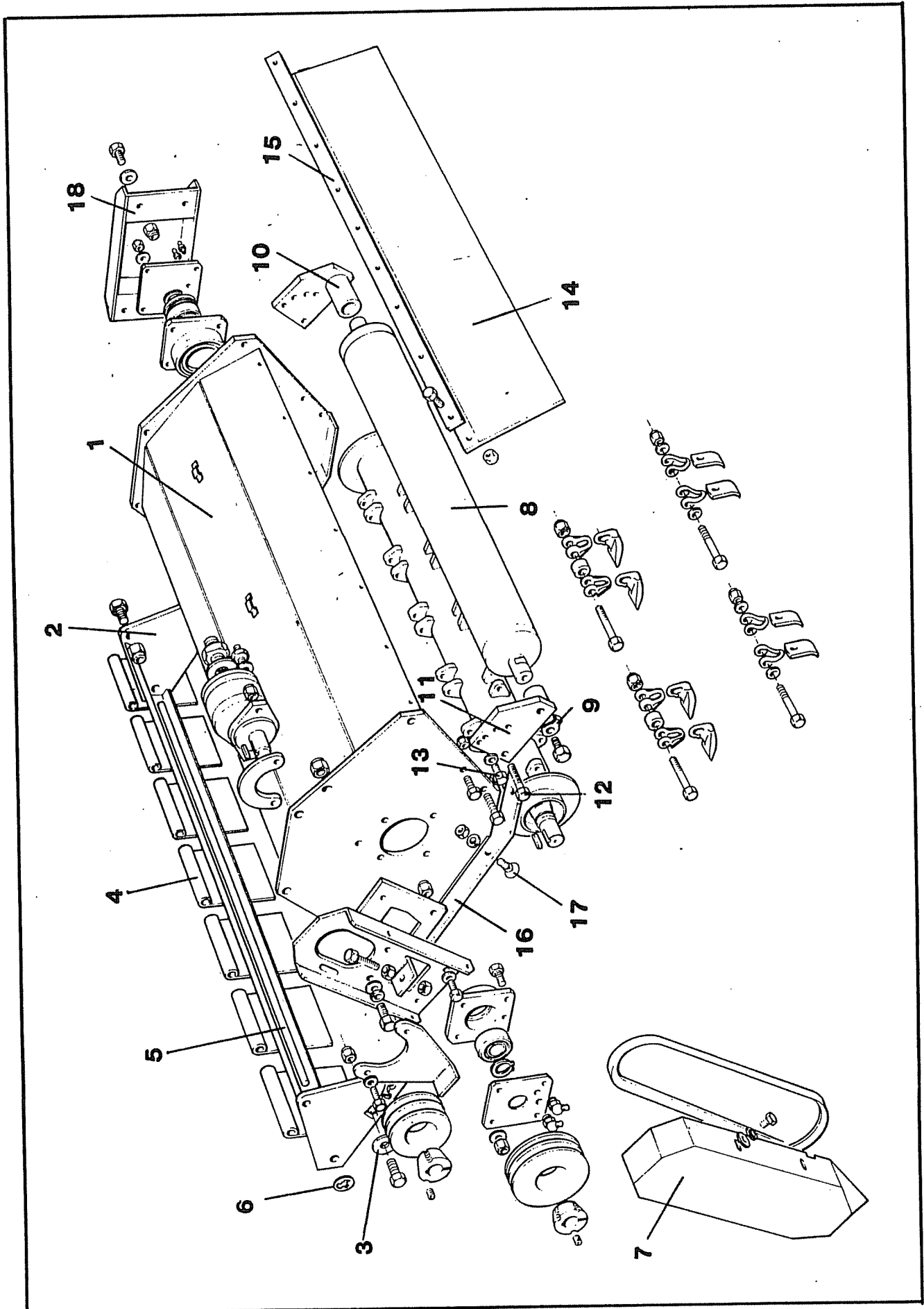
**IMPORTANT**  
CHECK DAILY FOR BROKEN OR  
MISSING CUTTERS OR AT FIRST  
SIGN OF VIBRATION AND REPLACE  
**IMMEDIATELY**

2

70.013.02

---

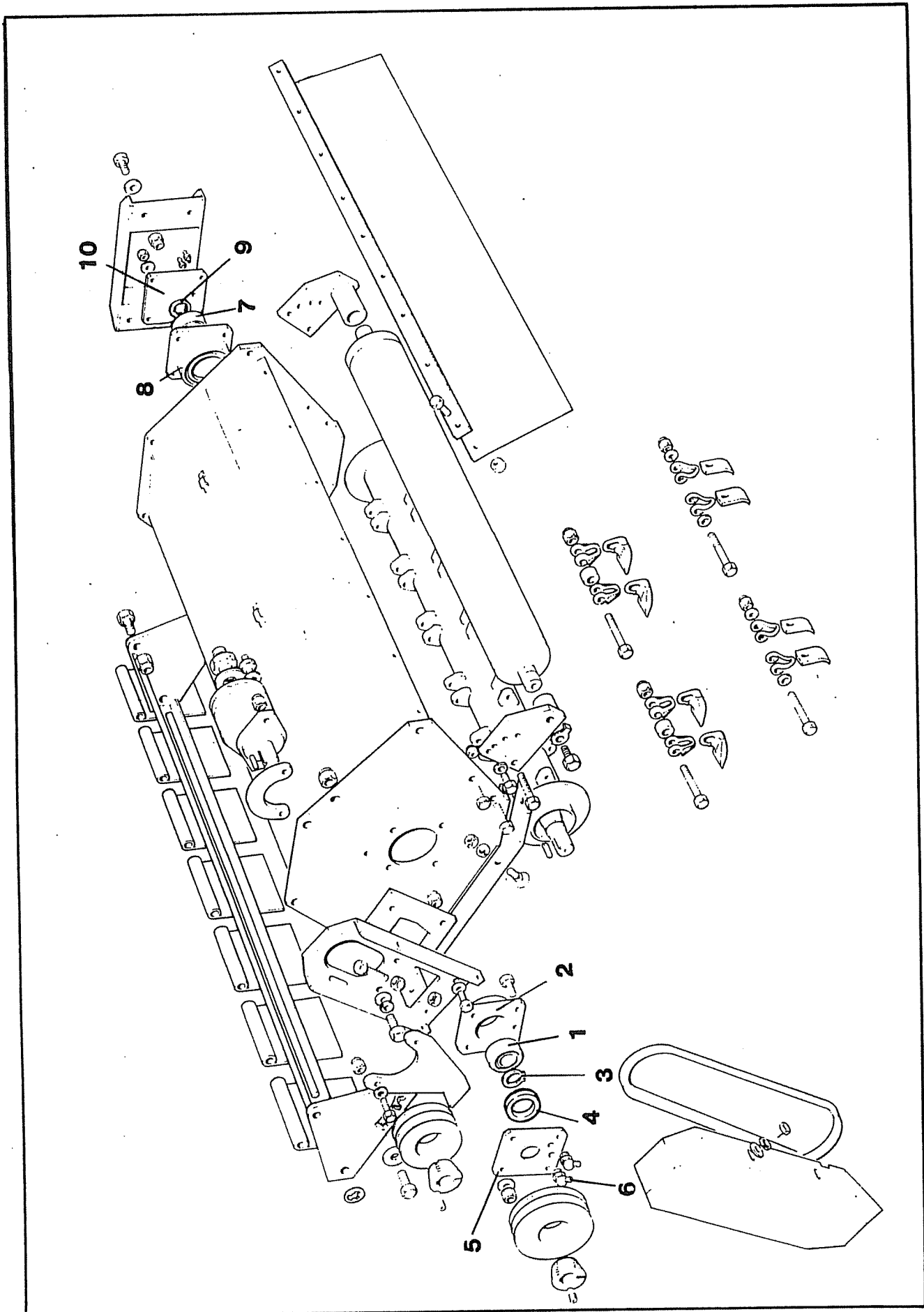
REF	PART NO.	DESCRIPTION	QTY
01	30.125.15	DECAL , DISENGAGE DRIVE	1
02	30.062.41	BROKEN CUTTER PLAQUE	1
03	05.774.03	SERIAL NUMBER PLAQUE TIE	1
03	05.227.01	HAMMER DRIVE SCREW NO.6 x 7/8"	2
04	30.103.31	DECAL ROTATING CUTTERS	2
05	30.211.28	DECAL "TURNER" SMALL	1
NOT ILLUSTRATED			
06	30.137.77	HYDRAMOWER DECAL	1



70.014.01

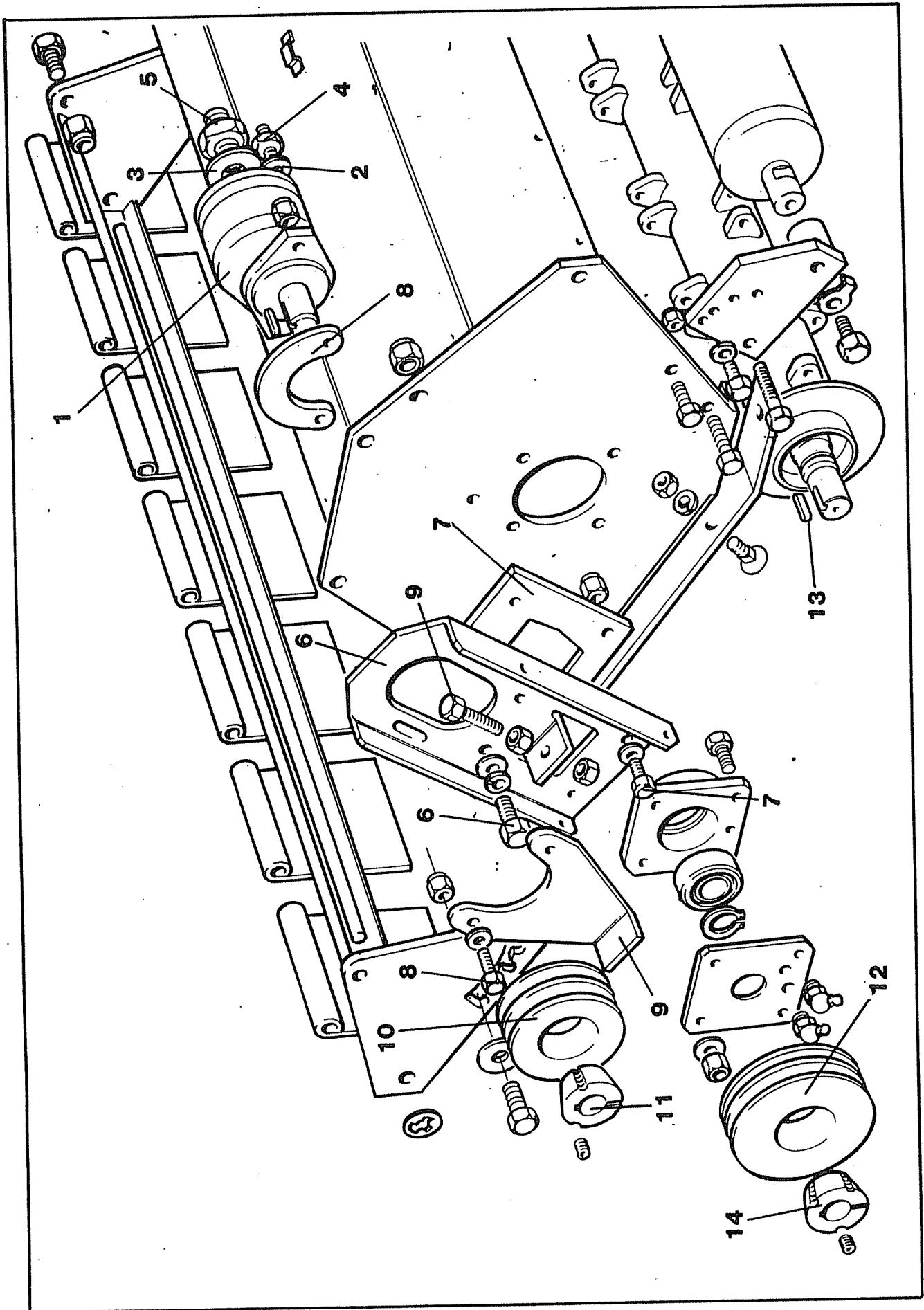
REF	PART NO.	DESCRIPTION	QTY
01	30.134.70	COWL 1.2 SX HD	1
01	30.136.92	HOSE STRAP BRACKET	3
01	30.213.32	RIVET	6
02	30.134.72	FRONT GUARD 1.2 SX HD	1
02	30.069.37	SCREW M12 X 30	4
02	30.070.67	NUT,NYLOC M12 Z/P	4
02	30.071.15	PLAIN WASHER M12	2
03	30.125.56	WHEEL HUB WASHER	2
04	30.117.95	FLAP, STEEL	8
05	30.134.68	FLAP BAR 1.2 SX HD	1
06	30.213.84	SELF LOCKING RING(7115-016)	2
07	30.134.78	BELT GUARD SX HD	1
07	30.071.23	SPRING WASHER M12	2
07	30.214.45	SCREW M12 X 16 8.8 GRADE Z/P.	4
07	30.071.15	PLAIN WASHER M12	4
08	30.208.98	ROLLER	1
09	30.069.38	SCREW M12 X 35	2
09	30.208.94	WASHER TAB(INTRALOCK 3043/8 )	2
10	30.125.01	ROLLER BRACKET RH UNIV. HEAD	1
11	30.125.02	ROLLER BRACKET LH UNIV. HEAD	1
12	30.069.38	SETSCREW M12 X 35MM.Z/P.	2
12	30.070.67	NUT,NYLOC M12 Z/P	2
12	30.069.35	SETSCREW M12 X 20MM Z/P	2
13	30.071.23	USE 05.282.03 S.WASHER M12	2
14	30.134.80	FLAP,RUBBER 1.2 SX HD	1
15	30.125.03	STRIP,FLAP RETAINING 1.2 UN.HD	1
15	30.068.98	SETSCREW M8 X 25MM HT Z/P	8
15	30.070.65	NUT,NYLOC M8 Z/P	8
16	30.134.79	SKID SX HD	2
17	30.070.50	PLAIN NUT M10	6
17	30.071.22	WASHER,SPRING M10 Z/P	6
17	30.072.96	BOLT M10X30 SQ SHLDR SCK Z/P	6
18	30.124.98	BEARING END GUARD UNIV.HEAD	1
18	30.069.36	BOLT M12 X 25 Z/P	2
18	30.070.67	NUT,NYLOC M12 Z/P	2





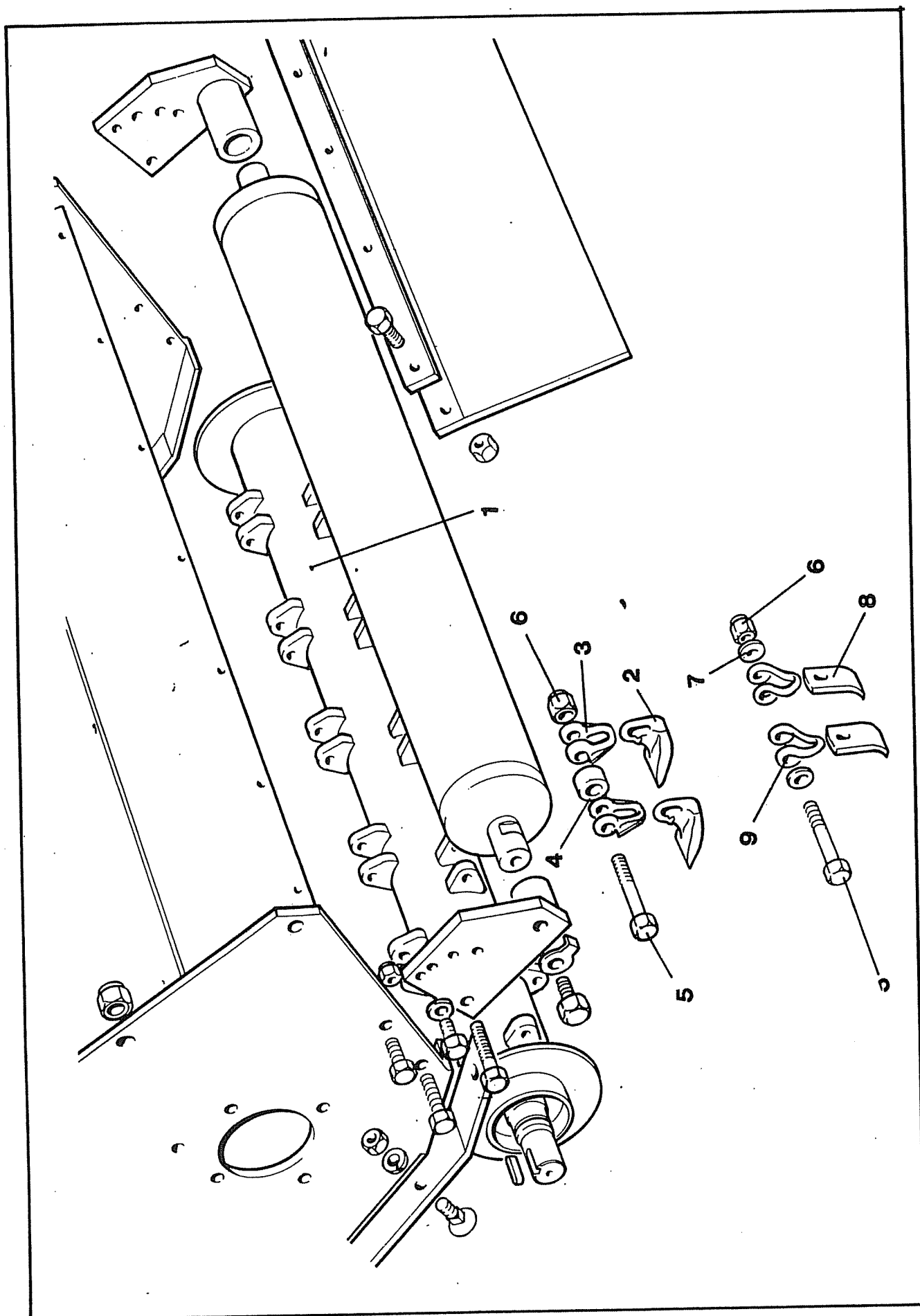
70.015.01

REF	PART NO.	DESCRIPTION	QTY
DRIVE END			
01	30.208.95	BEARING 22208 EW 33	1
02	30.124.96	BEARING HOUSING UNIVERSAL HEAD	1
03	30.208.96	EXTERNAL CIRCLIP FOR 40MM SHFT	1
04	30.124.97	SPACER DRIVE END UNIV.HEAD	1
05	30.142.22	BEARING END PLATE	1
05	30.069.39	USE 05.291.23 SCREW M12 X 40	4
05	30.070.67	NUT,NYLOC M12 Z/P	4
06	30.054.09	GREASE NIPPLE 1/4" BSF	2
NON DRIVE END			
07	30.208.95	BEARING 22208 EW 33	1
08	30.124.96	BEARING HOUSING UNIVERSAL HEAD	1
09	30.208.96	EXTERNAL CIRCLIP FOR 40MM SHFT	1
10	30.124.99	BEARING END PLATE UNIV.HEAD	1
10	30.069.38	USE 05.291.22 SCREW M12 X 35	4
10	30.070.67	NUT,NYLOC M12 Z/P	4
10	30.054.09	GREASE NIPPLE 1/4" BSF	2



70.016.01

REF	PART NO.	DESCRIPTION	QTY
01	30.078.70	MOTOR, HYD. M30ASP1897SPZEAB1043	1
01	30.079.40	KEY, WITH MOTOR	
02	30.052.70	BONDED WASHER 1/4" BSP	1
03	30.052.73	BONDED WASHER 3/4" BSP	2
04	30.052.79	ADAPTOR, 1/4" X 1/4" M/M BSP	1
04	30.062.17	CAP, PLASTIC 1/4" BSP FEMALE	1
05	30.052.85	ADAPTOR 1" X 3/4" M/M BSP	2
05	30.062.15	CAP, PLASTIC 1" BSP FEMALE	2
06	30.134.74	MOTOR MOUNTING BRACKET SX HD	1
06	30.069.61	USE 05.291.36 BOLT M16 X 55	2
06	30.070.68	USE 05.287.04 NUT, NYLOC M16	2
06	30.071.08	WASHER, PLAIN M16 FORM C Z/P	4
06	30.213.86	M16 NORD-LOCK WASHER	4
07	30.134.75	SPCNG PLTE MTR MTG BRKT SX HD	1
07	30.069.39	USE 05.291.23 SCREW M12 X 40	2
07	30.070.67	NUT, NYLOC M12 Z/P	2
07	30.071.15	WASHER, PLAIN M12 (FORM A) Z/P	4
08	30.134.76	MOTOR SUPPORT PLATE SX HD	1
08	30.069.41	USE 05.291.25 BOLT M12 X 50	2
08	30.070.67	NUT, NYLOC M12 Z/P	2
08	30.071.15	WASHER, PLAIN M12 (FORM A) Z/P	2
09	30.134.77	BELT ADJUSTER SX HD	1
09	30.073.34	USE 05.264.30 SCREW M12 X 70	1
09	30.070.51	USE 05.286.03 NUT M12	2
10	30.212.65	PULLEY 140X2SPA TPR LCK	1
11	30.052.30	2012/1" TAPER LOCK BUSH	1
12	30.212.66	PULLEY 180X2SPA TPR LCK	1
13	30.125.14	KEY 10MM X 8MM X 50MM LG	1
14	30.212.71	BUSH TPR LCK 2012/35MM	1
15	30.212.70	BELT V SPA1320(WRAPPED)	2
16	30.215.50	HOSE 1" x 96" STAP/STR	2
16	30.215.51	HOSE 1/4" x 96" STAP/STR	1



70.237.01

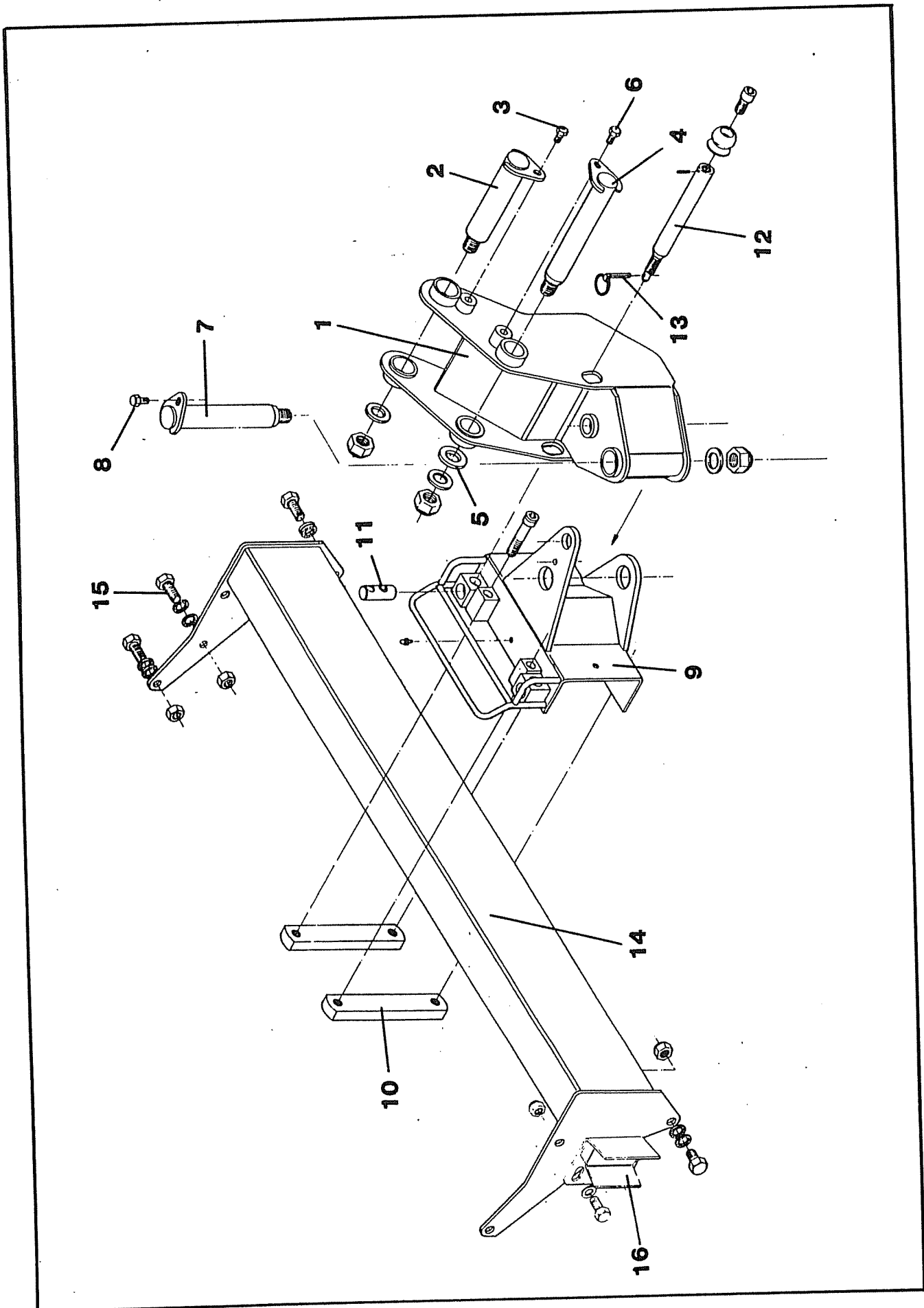
CUTTING HEAD - 1.2M SHAFT 13800 FLAILS

REF	PART NO.	DESCRIPTION	QTY
30.401.50		1.2M ROTOR SHAFT WITH 13800 FLAILS	
01	30.134.84	ROTOR SHAFT 1.2 SX HEAD	1
02	30.138.00	FLAIL CUTTER - FORGED	40
03	30.128.11	SHACKLE - FORGED	40
04	30.132.97	SPACER	20
05	30.073.33	BOLT M14 X 120 - T/L 20MM	20
06	30.077.57	NYLOC NUT M14 (T-SERIES)	20

70.506.01

CUTTING HEAD - 1.2M SHAFT 6202 FLAILS

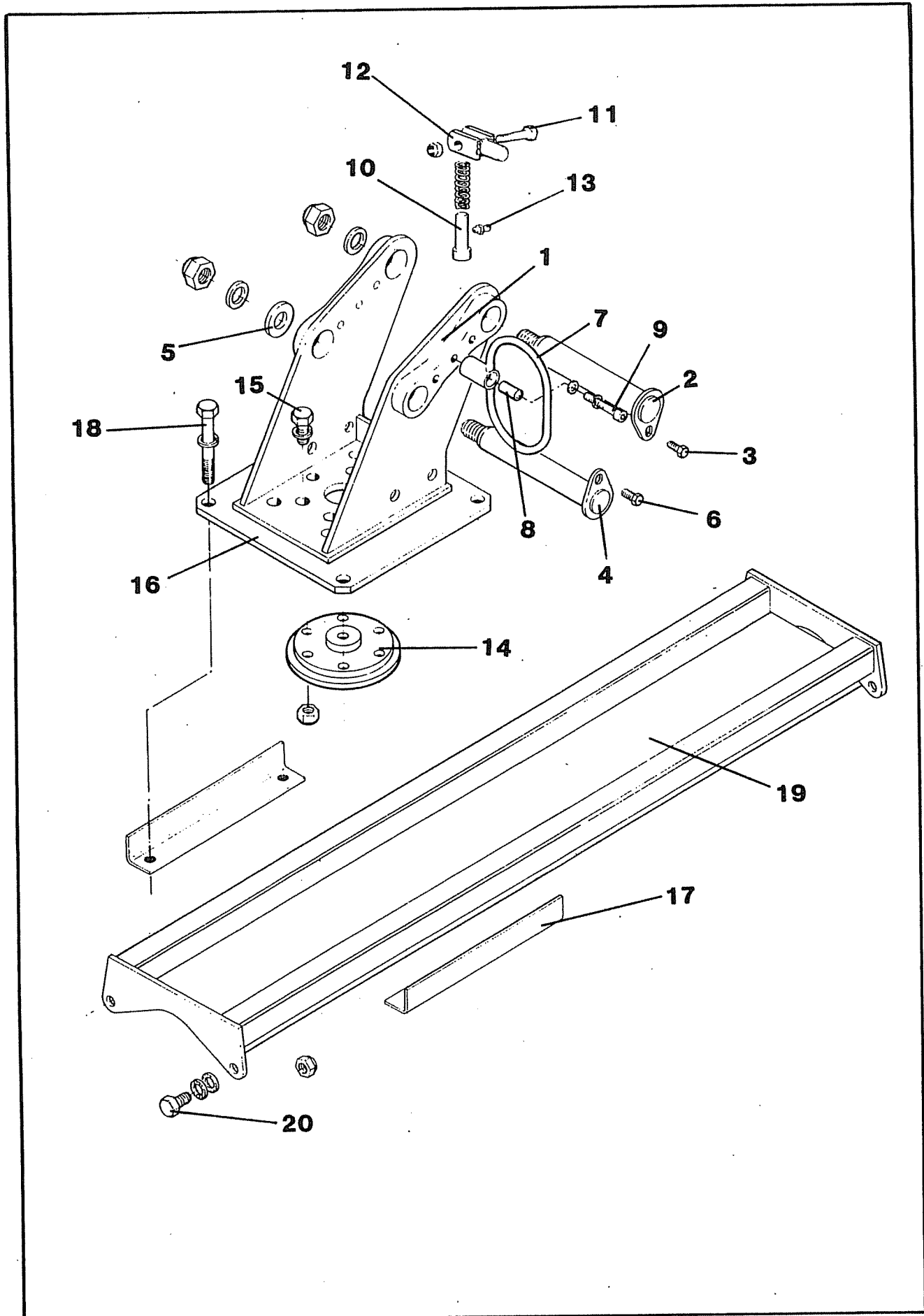
REF	PART NO.	DESCRIPTION	QTY
30.401.51		1.2M ROTOR SHAFT ASSEMBLY 6202 FLAILS	
01	30.134.84	ROTOR SHAFT 1.2 SX HEAD	1
05	30.073.33	BOLT M14 X 120 - T/L 20MM	20
06	30.077.57	NYLOC NUT M14 (T-SERIES)	20
07	30.071.16	PLAIN WASHER M16	40
08	30.062.02	CUTTER	40
09	30.037.89	SHACKLE TWISTED (7/16" DIA)	40



70.073.01

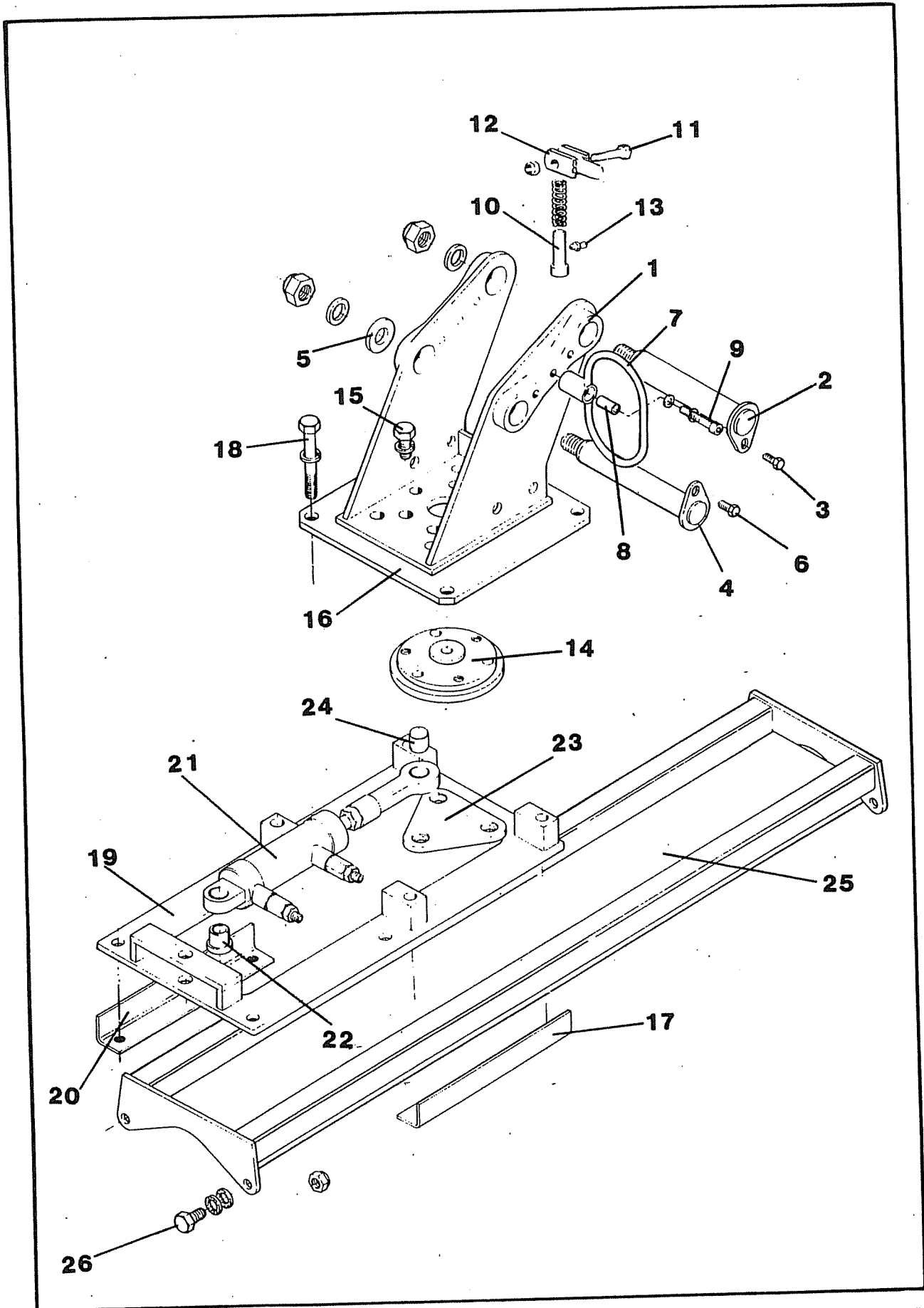
REF	PART NO.	DESCRIPTION	QTY
01	30.134.57	HOOD SWIVEL BRACKET HM SX	1
02	30.134.63	PIN HOOD PIVOT (40DIA) HM SX	1
03	30.213.91	DURLOK BOLT M10 X 20	1
03	30.070.70	USE 05.287.06 NUT, NYLOC M24	1
03	30.071.18	USE 05.281.06 PLTD.WASHER, M24	1
04	30.134.62	PIN HOOD ANGLING (35DIA) HM SX	1
05	30.134.67	SPACING COLLAR HM SX	1
06	30.070.70	USE 05.287.06 NUT, NYLOC M24	1
06	30.071.18	USE 05.281.06 PLTD.WASHER, M24	1
06	30.213.91	DURLOK BOLT M10 X 20	1
07	30.134.64	PIN HOOD SWIVEL (40DIA) HM SX	1
08	30.070.70	USE 05.287.06 NUT, NYLOC M24	1
08	30.071.18	USE 05.281.06 PLTD.WASHER, M24	1
08	30.213.91	DURLOK BOLT M10 X 20	1
09	30.054.09	GREASE NIPPLE 1/4" BSF	2
09	30.134.58	SLIDING HEAD MOUNT(REAR) HM SX	1
09	30.213.82	SKTHD CAP SCR 5/8"UNF X 3" Z/P	4
10	30.134.61	CLAMP STRIP (REAR P/UP) SX HD	2
11	30.134.66	TRUNNION SWIVEL LOCK HM SX	2
12	30.074.70	ROLLPIN M4 X 26MM	1
12	30.213.88	SCKT HD CAP SCR 5/8"UNF X1 1/4	1
12	30.134.65	PIN HOOD SWIV LCKNG(25DIA)HMSX	1
13	30.213.87	LINCH PIN 1/4"DIA PIN(F441)	1
14	30.134.59	REAR SLDNG P/UP BEAM 1.2SX HD	1
15	30.069.57	USE 05.264.34 SCREW M16 X 35	4
15	30.070.68	USE 05.287.04 NUT, NYLOC M16	4
15	30.213.86	M16 NORD-LOCK WASHER	8
16	30.139.05	TRANSPORT BRACKET SS545	1
16	30.069.56	SETSCREW M16 x 30	2
16	30.071.08	PLAIN WASHER	2
16	30.070.68	NYLOC NUT M16	2
	30.201.49	HAIRCLIP (4404)	1
	30.213.83	ALLEN KEY 1/2"A/F X 8 1/4"LONG	1
	30.213.89	HOSE 1" X 88" STAP/STR	1
	30.213.90	HOSE 1/4" X 88" STAP/STR	1



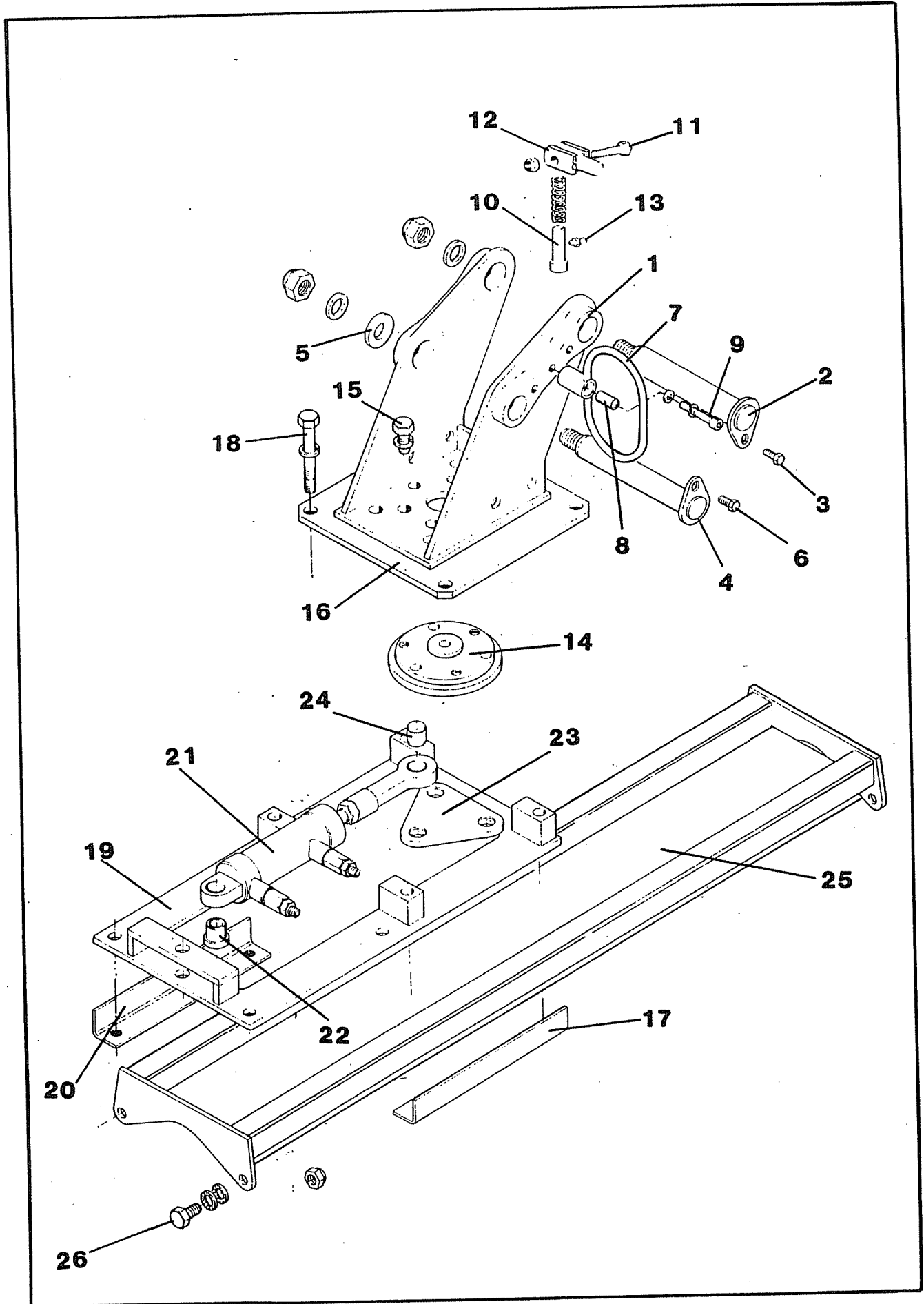


70.005.01

KEY NO.	PART NO.	DESCRIPTION	QTY
01	30.134.89	HOOD MTG BRKT TOP MTD WITH T/T	1
02	30.134.63	PIN HOOD PIVOT (40DIA) HM SX	1
03	05.287.06	NYLOC NUT M24	1
03	05.281.06	PLTD.WASHER, M24	1
03	30.213.91	DURLOK BOLT M10 X 20	1
04	30.134.62	PIN HOOD ANGLING (35DIA) HM SX	1
05	30.134.67	SPACING COLLAR HM SX	1
06	05.287.06	NYLOC NUT M24	1
06	05.281.06	PLTD.WASHER, M24	1
06	30.213.91	DURLOK BOLT M10 X 20	1
07	30.135.24	HOSE LOOP	1
08	30.135.25	CLAMPING TUBE	1
09	30.071.14	WASHER, PLAIN M10 2MM THICK Z/P	1
09	30.071.22	WASHER, SPRING M10 Z/P	1
09	30.214.05	SCREW M10 X 60 SKT HD CAP(S/C)	1
10	30.124.54	PIN, TURNTABLE LOCKING HM 'S'	1
10	30.207.74	SPRING, COMPRESSION 2 1/2" LONG	1
11	30.068.87	BOLT M6 X 40 MM 8.8 GRADE Z/P	1
11	30.070.64	NUT NYLOC M6. Z/P.	1
12	30.124.56	LEVER, LOCKING PIN RELEASE 'S'	1
13	30.054.09	GREASE NIPPLE 1/4" BSF	1
14	30.124.52	TURNTABLE SWIVEL DISC	1
15	05.291.36	BOLT M16 X 55	6
15	05.287.04	NYLOC NUT M16	6
16	30.124.53	TURNTABLE MOUNTING HM 'S' RM	1
17	30.124.57	CLAMP, SLIDING MOUNT CT HD 'S'	2
18	05.291.39	BOLT M16 X 70	4
18	30.071.24	WASHER, SPRING M16 Z/P	4
19	30.134.82	TOP SLDNG P/UP BEAM 1.2 SX HD	1
20	05.291.34	BOLT M16 X 45	3
20	05.287.04	NYLOC NUT M16	3
20	30.213.86	M16 NORD-LOCK WASHER	6



KEY NO.	PART NO.	DESCRIPTION	QTY
01	30.134.89	HOOD MTG BRKT TOP MTD WITH T/T	1
02	30.134.63	PIN HOOD PIVOT (40DIA) HM SX	1
03	05.287.06	NYLOC NUT M24	1
03	05.281.06	PLTD.WASHER, M24	1
03	30.213.91	DURLOK BOLT M10 X 20	1
04	30.134.62	PIN HOOD ANGLING (35DIA) HM SX	1
05	30.134.67	SPACING COLLAR HM SX	1
06	05.287.06	NYLOC NUT M24	1
06	05.281.06	PLTD.WASHER, M24	1
06	30.213.91	DURLOK BOLT M10 X 20	1
07	30.135.24	HOSE LOOP	1
08	30.135.25	CLAMPING TUBE	1
09	30.071.14	WASHER, PLAIN M10 2MM THICK Z/P	1
09	30.071.22	WASHER, SPRING M10 Z/P	1
09	30.214.05	SCREW M10 X 60 SKT HD CAP(S/C)	1
10	30.124.54	PIN, TURNTABLE LOCKING HM 'S'	1
10	30.207.74	SPRING, COMPRESSION 2 1/2" LONG	1
11	30.068.87	BOLT M6 X 40 MM 8.8 GRADE Z/P	1
11	30.070.64	NUT NYLOC M6. Z/P.	1
12	30.124.56	LEVER, LOCKING PIN RELEASE 'S'	1
13	30.054.09	GREASE NIPPLE 1/4" BSF	1
14	30.142.42	TURNTABLE SWIVEL DISC	1
15	30.069.57	BOLT M16 X 35	3
15	30.017.24	SPRING WASHER	3
16	30.124.53	TURNTABLE MOUNTING HM 'S' RM	1
17	30.124.57	CLAMP, SLIDING MOUNT CT HD 'S'	2
18	05.291.39	BOLT M16 X 70	4
18	30.071.24	WASHER, SPRING M16 Z/P	4
19	30.142.40	RAM MOUNTING BRACKET	1
20	30.124.57	CLAMP, SLIDING MOUNT CT HD 'S'	2
20	30.070.06	BOLT M16 x 125	4
20	30.071.24	SPRING WASHER M16	4



KEY NO.	PART NO.	DESCRIPTION	QTY
21	30.402.37	RAM ASSY D/A	1
21	30.052.72	BONDED WASHER 1/2" BSP	4
21	30.210.97	RESTRICTOR ( 0.0031 )	2
21	30.052.82	ADAPTOR 1/2" - 1/4" BSP MM	2
21	30.075.47	HOSE, 1/4" x 84" STR/90	2
21	30.054.09	GREASE NIPPLE 1/4" BSP STR.	2
22	30.142.45	SPACER BUSH POWERED TURNTABLE	3
22	30.069.61	BOLT M20 x 75	3
22	30.070.69	NYLOC NUT M20	3
23	30.142.44	RAM PLATE POWERED TURNTABLE	1
24	30.142.43	SPACER BUSH	3
24	30.069.71	BOLT M16 x 90	3
24	30.071.08	PLAIN WASHER	3
24	30.070.68	NYLOC NUT M16	3
25	30.134.83	TOP SLDNG P/UP BEAM 1.5 SX HD	1
26	05.291.34	BOLT M16 X 45	3
26	05.287.04	NYLOC NUT M16	3
26	30.213.86	M16 NORD-LOCK WASHER	6
27	30.140.99	RE-INFORCEMENT PLATE	1
27	30.208.81	SOCKET HD. CAP SCREW M10 x 30	4
27	30.071.14	PLAIN WASHER	4
27	30.070.66	NYLOC NUT	4
28	30.075.47	HOSE 1/4" x 84"	2

CONTENTS

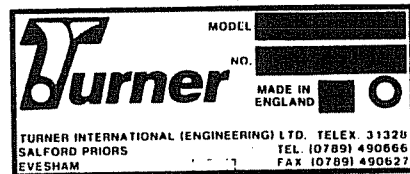
<u>PAGE NO.</u>	<u>TITLE</u>	<u>SCHEDULE NO.</u>
3-2	DECALS - COWL	70.013.02
3-4	COWL ASSEMBLY	70.081.01
3-6	BEARING ASSEMBLY	70.015.01
3-8	MOTOR ASSEMBLY	70.016.01
3-10	1.5SX SHAFT ASSEMBLY - 6202 CUTTERS	-
3-10	1.5SX SHAFT ASSEMBLY - 13800 CUTTERS	70.426.01
3-12	1.5SX TURNTABLE/SLIDING HEAD MOUNT	70.482.01



5

**WARNING**  
**ROTATING CUTTERS**  
 - KEEP AWAY

4



3

**WARNING**  
**DISENGAGE DRIVE TO**  
**CUTTING HEAD BEFORE**  
**INDEXING TURNTABLE**

1

**IMPORTANT**  
 CHECK DAILY FOR BROKEN OR  
 MISSING CUTTERS OR AT FIRST  
 SIGN OF VIBRATION AND REPLACE  
**IMMEDIATELY**

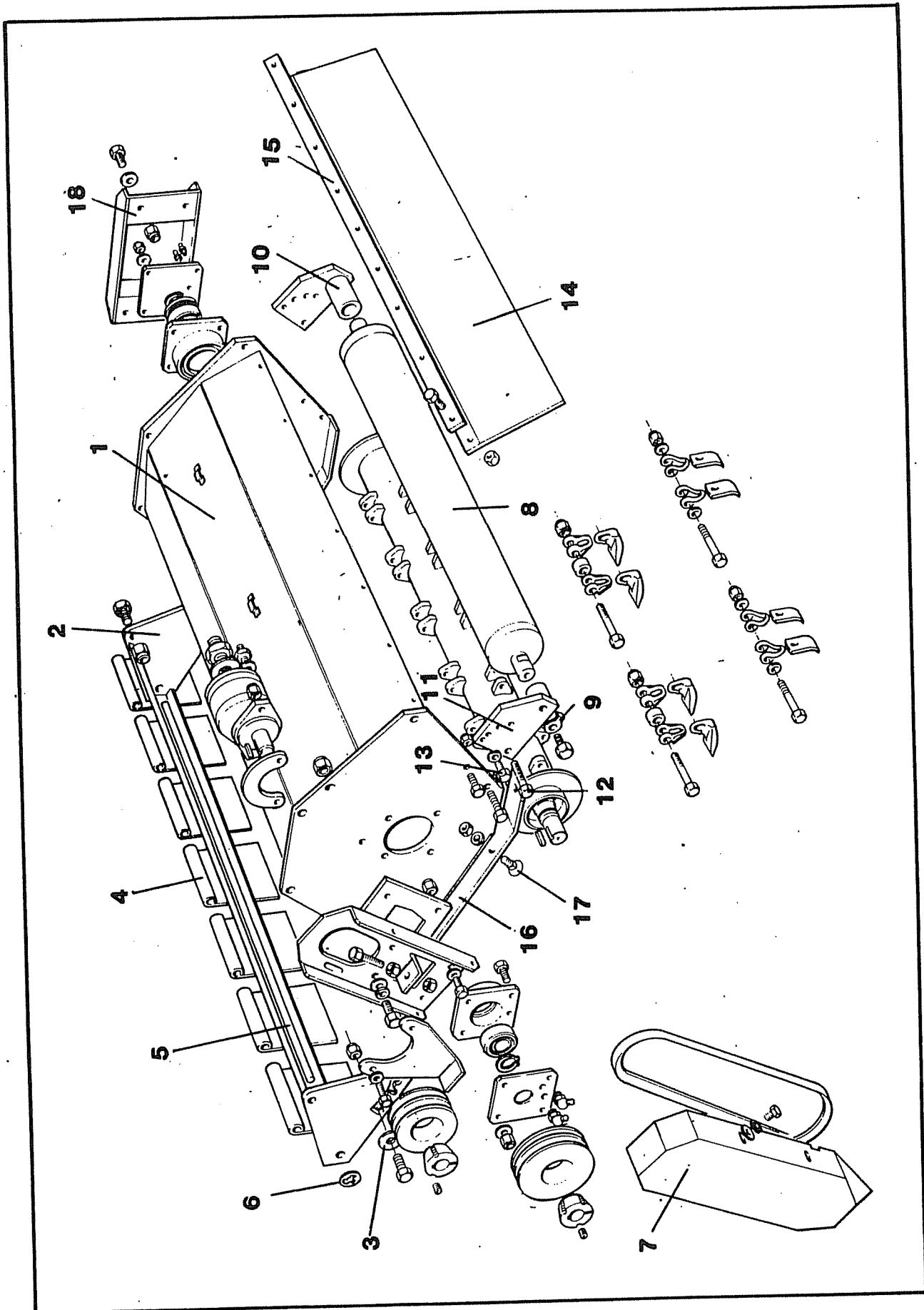
2



70.013.02

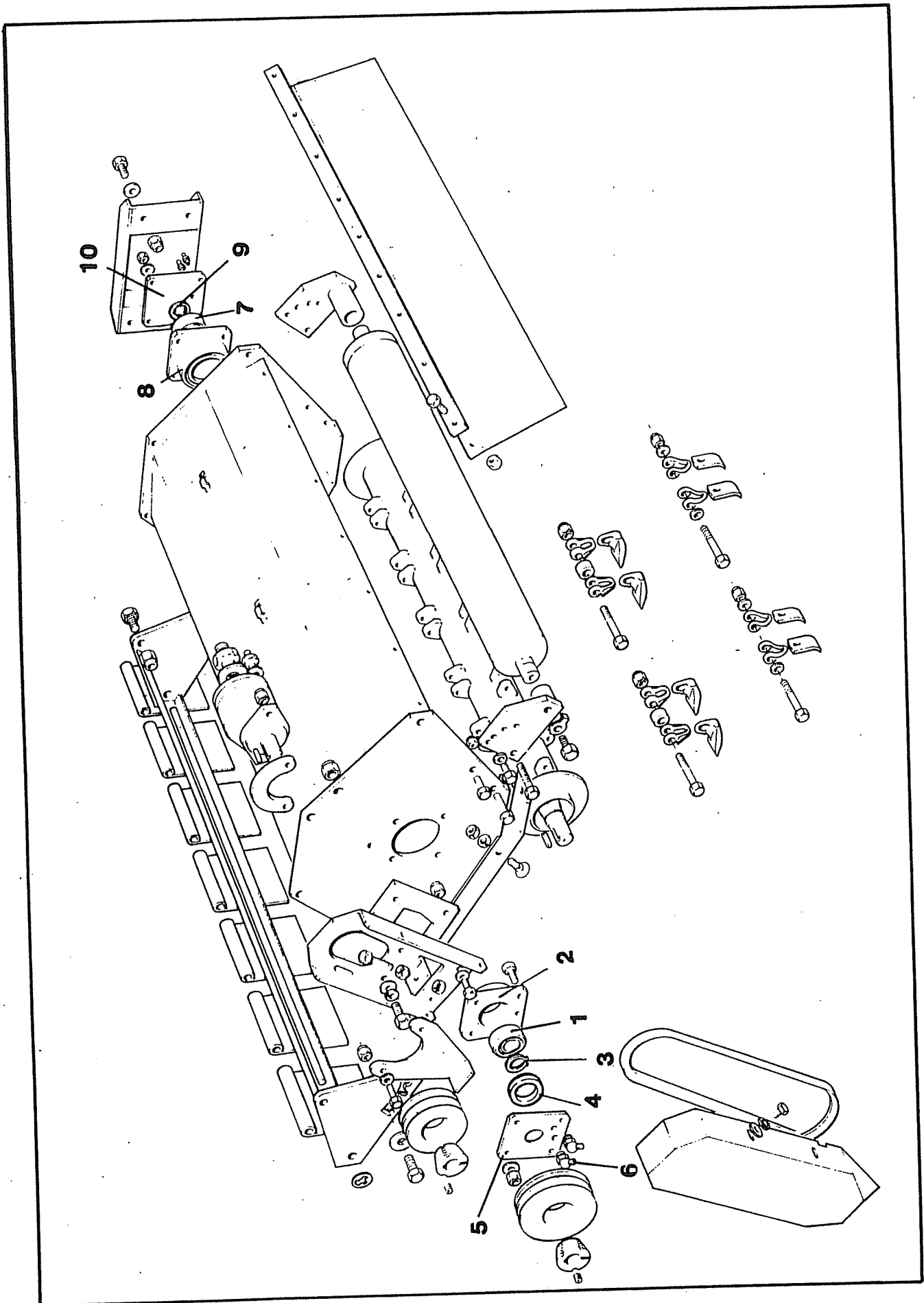
---

REF	PART NO.	DESCRIPTION	QTY
01	30.125.15	DECAL , DISENGAGE DRIVE	1
02	30.062.41	BROKEN CUTTER PLAQUE	1
03	05.774.03	SERIAL NUMBER PLAQUE TIE	1
03	05.227.01	HAMMER DRIVE SCREW NO.6 x 7/8"	2
04	30.103.31	DECAL ROTATING CUTTERS	2
05	30.211.28	DECAL "TURNER" SMALL	1
NOT ILLUSTRATED			
06	30.137.77	HYDRAMOWER DECAL	1



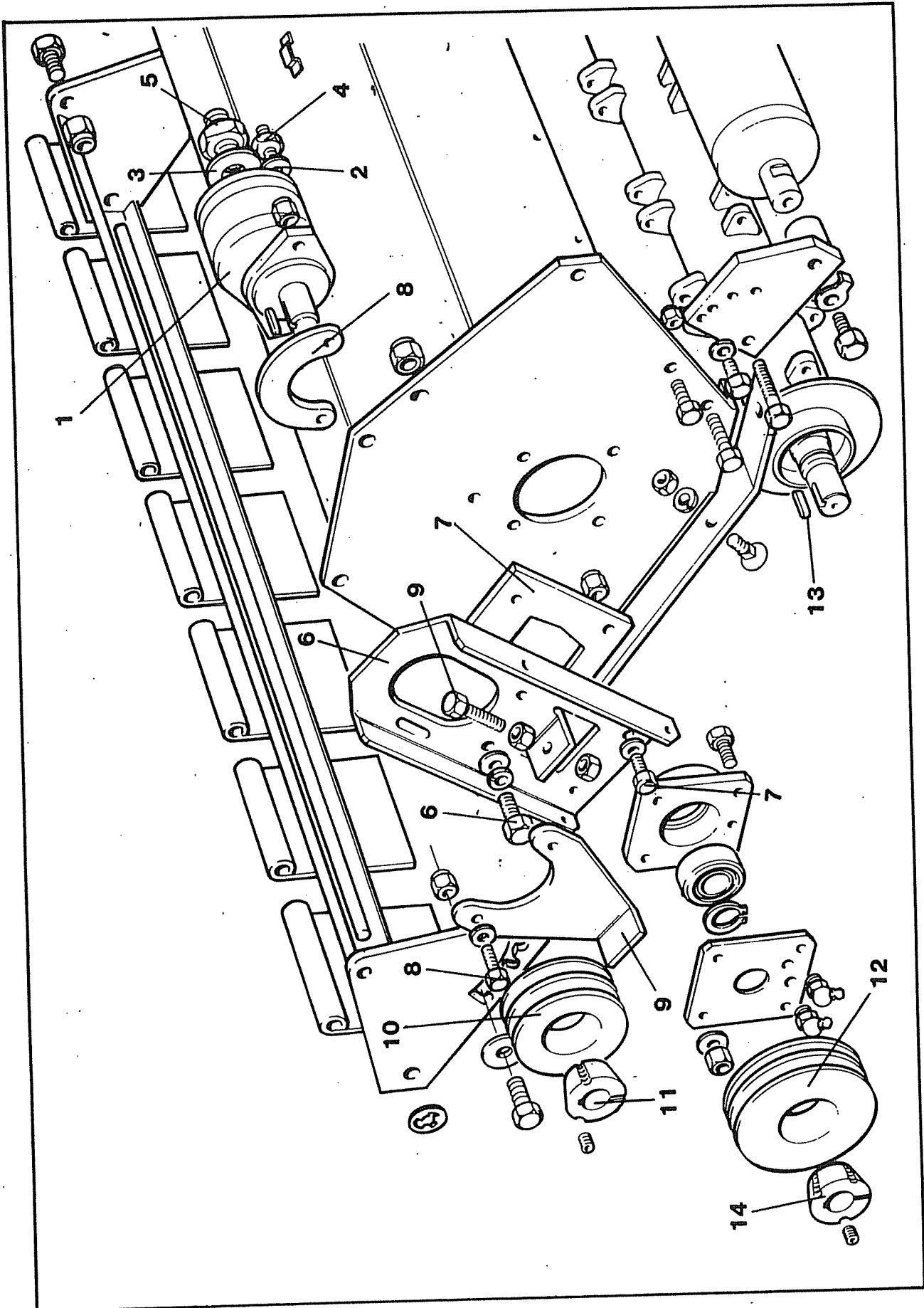
70.081.01

REF	PART NO.	DESCRIPTION	QTY
01	30.134.71	COWL 1.5 SX HD	1
01	30.136.92	HOSE STRAP BRACKET	3
01	30.213.32	RIVET	6
02	30.134.73	FRONT GUARD 1.5 SX HD	1
02	30.069.37	SCREW M12 X 30	4
02	30.070.67	NUT,NYLOC M12 Z/P	4
02	30.071.15	PLAIN WASHER M12	2
03	30.125.56	WHEEL HUB WASHER	2
04	30.117.95	FLAP, STEEL	10
05	30.134.69	FLAP BAR 1.5 SX HD	1
06	30.213.84	SELF LOCKING RING(7115-016)	2
07	30.134.78	BELT GUARD SX HD	1
07	30.071.23	SPRING WASHER M12	2
07	30.214.45	SCREW M12 X 16 8.8 GRADE Z/P.	4
07	30.071.15	PLAIN WASHER M12	4
08	30.208.99	ROLLER	1
09	30.069.38	SCREW M12 X 35	2
09	30.208.94	WASHER TAB(INTRALOCK 3043/8 )	2
10	30.125.01	ROLLER BRACKET RH UNIV. HEAD	1
11	30.125.02	ROLLER BRACKET LH UNIV. HEAD	1
12	30.069.38	SETSCREW M12 X 35MM.Z/P.	2
12	30.070.67	NUT,NYLOC M12 Z/P	2
12	30.069.35	SETSCREW M12 X 20MM Z/P	2
13	30.071.23	USE 05.282.03 S.WASHER M12	2
14	30.134.81	FLAP,RUBBER 1.5 SX HD	1
15	30.125.04	STRIP,FLAP RETAINING 1.5 UN.HD	1
15	30.068.98	SETSCREW M8 X 25MM HT Z/P	10
15	30.070.65	NUT,NYLOC M8 Z/P	10
16	30.134.79	SKID SX HD	2
17	30.070.50	PLAIN NUT M10	6
17	30.071.22	WASHER,SPRING M10 Z/P	6
17	30.072.96	BOLT M10X30 SQ SHLDR SCK Z/P	6
18	30.124.98	BEARING END GUARD UNIV.HEAD	1
18	30.069.36	BOLT M12 X 25 Z/P	2
18	30.070.67	NUT,NYLOC M12 Z/P	2



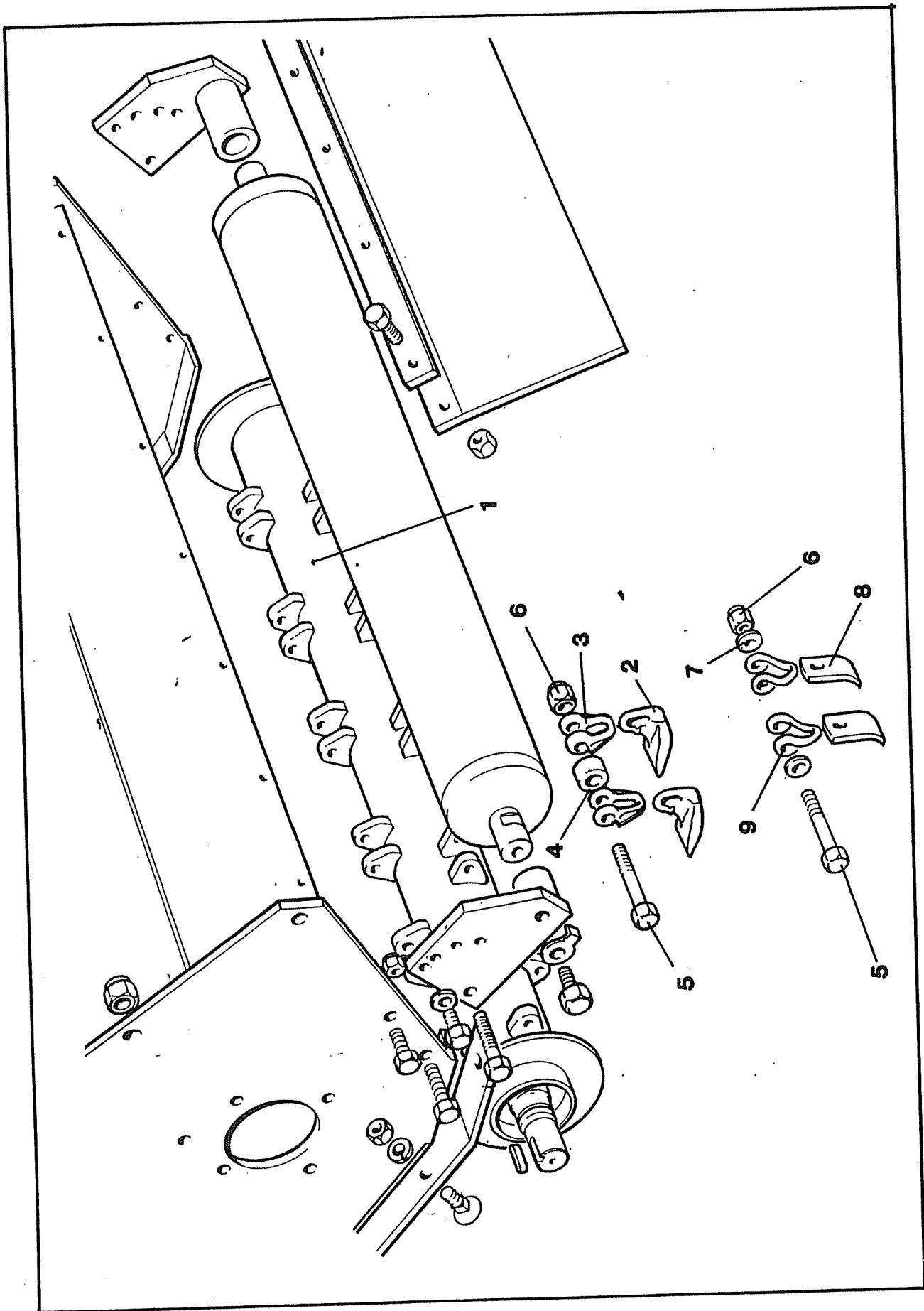
70.015.01

REF	PART NO.	DESCRIPTION	QTY
DRIVE END			
01	30.208.95	BEARING 22208 EW 33	1
02	30.124.96	BEARING HOUSING UNIVERSAL HEAD	1
03	30.208.96	EXTERNAL CIRCLIP FOR 40MM SHFT	1
04	30.124.97	SPACER DRIVE END UNIV.HEAD	1
05	30.142.22	BEARING END PLATE	1
05	30.069.39	USE 05.291.23 SCREW M12 X 40	4
05	30.070.67	NUT,NYLOC M12 Z/P	4
06	30.054.09	GREASE NIPPLE 1/4" BSF	2
NON DRIVE END			
07	30.208.95	BEARING 22208 EW 33	1
08	30.124.96	BEARING HOUSING UNIVERSAL HEAD	1
09	30.208.96	EXTERNAL CIRCLIP FOR 40MM SHFT	1
10	30.124.99	BEARING END PLATE UNIV.HEAD	1
10	30.069.38	USE 05.291.22 SCREW M12 X 35	4
10	30.070.67	NUT,NYLOC M12 Z/P	4
10	30.054.09	GREASE NIPPLE 1/4" BSF	2



70.016.01

REF	PART NO.	DESCRIPTION	QTY
01	30.078.70	MOTOR, HYD. M30ASP1897SPZEAB1043	1
01	30.079.40	KEY, WITH MOTOR	
02	30.052.70	BONDED WASHER 1/4" BSP	1
03	30.052.73	BONDED WASHER 3/4" BSP	2
04	30.052.79	ADAPTOR, 1/4" X 1/4" M/M BSP	1
04	30.062.17	CAP, PLASTIC 1/4" BSP FEMALE	1
05	30.052.85	ADAPTOR 1" X 3/4" M/M BSP	2
05	30.062.15	CAP, PLASTIC 1" BSP FEMALE	2
06	30.134.74	MOTOR MOUNTING BRACKET SX HD	1
06	30.069.61	USE 05.291.36 BOLT M16 X 55	2
06	30.070.68	USE 05.287.04 NUT, NYLOC M16	2
06	30.071.08	WASHER, PLAIN M16 FORM C Z/P	4
06	30.213.86	M16 NORD-LOCK WASHER	4
07	30.134.75	SPCNG PLTE MTR MTG BRKT SX HD	1
07	30.069.39	USE 05.291.23 SCREW M12 X 40	2
07	30.070.67	NUT, NYLOC M12 Z/P	2
07	30.071.15	WASHER, PLAIN M12 (FORM A) Z/P	4
08	30.134.76	MOTOR SUPPORT PLATE SX HD	1
08	30.069.41	USE 05.291.25 BOLT M12 X 50	2
08	30.070.67	NUT, NYLOC M12 Z/P	2
08	30.071.15	WASHER, PLAIN M12 (FORM A) Z/P	2
09	30.134.77	BELT ADJUSTER SX HD	1
09	30.073.34	USE 05.264.30 SCREW M12 X 70	1
09	30.070.51	USE 05.286.03 NUT M12	2
10	30.212.65	PULLEY 140X2SPA TPR LCK	1
11	30.052.30	2012/1" TAPER LOCK BUSH	1
12	30.212.66	PULLEY 180X2SPA TPR LCK	1
13	30.125.14	KEY 10MM X 8MM X 50MM LG	1
14	30.212.71	BUSH TPR LCK 2012/35MM	1
15	30.212.70	BELT V SPA1320(WRAPPED)	2
16	30.213.89	HOSE 1" x 88" STAP/STR	2
16	30.213.90	HOSE 1/4" x 88" STAP/STR	1





70.426.01

CUTTING HEAD - 1.5M SHAFT 13800 FLAILS

REF	PART NO.	DESCRIPTION	QTY
30.426.01		1.5M ROTOR SHAFT WITH 13800 FLAILS	
01	30.134.85	ROTOR SHAFT 1.5 SX HEAD	1
02	30.138.00	FLAIL CUTTER - FORGED	52
03	30.128.11	SHACKLE - FORGED	52
04	30.132.97	SPACER	26
05	30.073.33	BOLT M14 X 120 - T/L 20MM	26
06	30.077.57	NYLOC NUT M14 (T-SERIES)	26

5232

1188

70.

CUTTING HEAD - 1.5M SHAFT 6202 FLAILS

REF	PART NO.	DESCRIPTION	QTY
30.	.	1.5M ROTOR SHAFT ASSEMBLY 6202 FLAILS	
01	30.134.85	ROTOR SHAFT 1.5 SX HEAD	1
05	30.073.33	BOLT M14 X 120 - T/L 20MM	26
06	30.077.57	NYLOC NUT M14 (T-SERIES)	26
07	30.071.16	PLAIN WASHER M16	52
08	30.062.02	CUTTER	52
09	30.037.89	SHACKLE TWISTED (7/16" DIA)	52



70.482.01

KEY NO.	PART NO.	DESCRIPTION	QTY
01	30.134.89	HOOD MTG BRKT TOP MTD WITH T/T	1
02	30.134.63	PIN HOOD PIVOT (40DIA) HM SX	1
03	05.287.06	NYLOC NUT M24	1
03	05.281.06	PLTD.WASHER, M24	1
03	30.213.91	DURLOK BOLT M10 X 20	1
04	30.134.62	PIN HOOD ANGLING (35DIA) HM SX	1
05	30.134.67	SPACING COLLAR HM SX	1
06	05.287.06	NYLOC NUT M24	1
06	05.281.06	PLTD.WASHER, M24	1
06	30.213.91	DURLOK BOLT M10 X 20	1
07	30.135.24	HOSE LOOP	1
08	30.135.25	CLAMPING TUBE	1
09	30.071.14	WASHER,PLAIN M10 2MM THICK Z/P	1
09	30.071.22	WASHER,SPRING M10 Z/P	1
09	30.214.05	SCREW M10 X 60 SKT HD CAP(S/C)	1
10	30.124.54	PIN,TURNTABLE LOCKING HM 'S'	1
10	30.207.74	SPRING,COMPRESSION 2 1/2" LONG	1
11	30.068.87	BOLT M6 X 40 MM 8.8 GRADE Z/P	1
11	30.070.64	NUT NYLOC M6.Z/P.	1
12	30.124.56	LEVER,LOCKING PIN RELEASE 'S'	1
13	30.054.09	GREASE NIPPLE 1/4" BSF	1
14	30.124.52	TURNTABLE SWIVEL DISC	1
15	05.291.36	BOLT M16 X 55	6
15	05.287.04	NYLOC NUT M16	6
16	30.124.53	TURNTABLE MOUNTING HM 'S' RM	1
17	30.124.57	CLAMP,SLIDING MOUNT CT HD 'S'	2
18	05.291.39	BOLT M16 X 70	4
18	30.071.24	WASHER,SPRING M16 Z/P	4
19	30.134.83	TOP SLDNG P/UP BEAM 1.5 SX HD	1
20	05.291.34	BOLT M16 X 45	3
20	05.287.04	NYLOC NUT M16	3
20	30.213.86	M16 NORD-LOCK WASHER	6
21	30.140.99	RE-INFORCEMENT PLATE	1
21	30.208.81	SOCKET HD. CAP SCREW M10 x 30	4
21	30.071.14	PLAIN WASHER	4
21	30.070.66	NYLOC NUT	4

CONTENTS

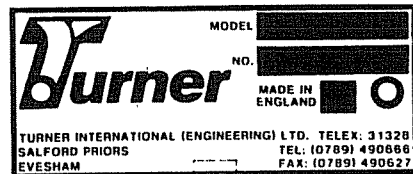
<u>PAGE NO.</u>	<u>TITLE</u>	<u>SCHEDULE NO.</u>
4-2	DECALS - COWL	70.579.01
4-4	BRUSHBUSTER COWL ASSEMBLY	70.558.01
4-6	BRUSHBUSTER BEARING ASSEMBLY	70.559.01
4-6	BRUSHBUSTER ROTOR SHAFT ASSEMBLY	70.489.01
4-8	BRUSHBUSTER MOTOR ASSEMBLY	70.560.01
4-10	REAR RUBBER FLAP	70.562.01
4-12	BRUSH BUSTER HEAD MOUNT ASSEMBLY	70.561.01



5

**WARNING**  
**ROTATING CUTTERS**  
**- KEEP AWAY**

4



3

**WARNING**  
**DISENGAGE DRIVE TO**  
**CUTTING HEAD BEFORE**  
**INDEXING TURNTABLE**

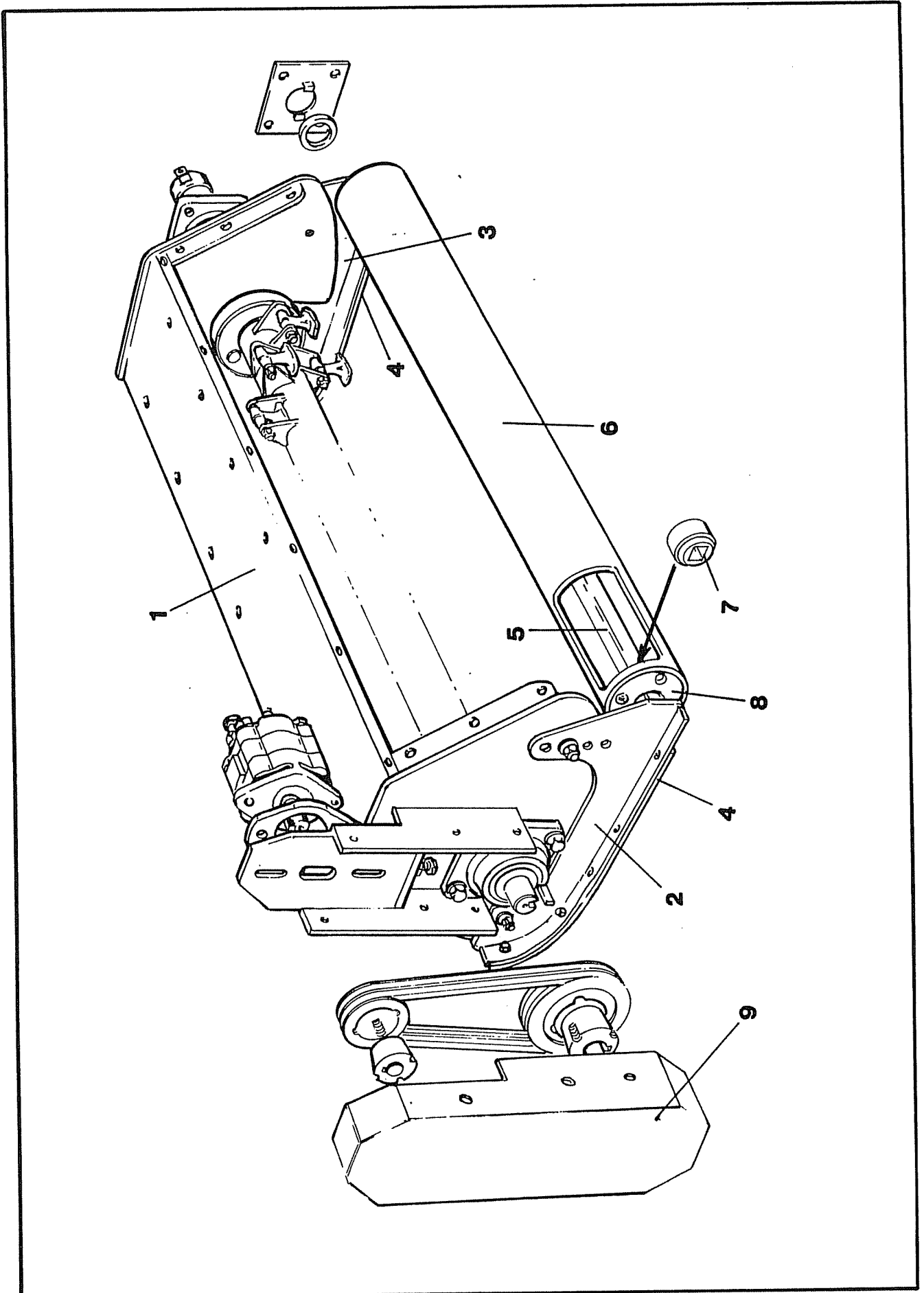
1

**IMPORTANT**  
CHECK DAILY FOR BROKEN OR  
MISSING CUTTERS OR AT FIRST  
SIGN OF VIBRATION AND REPLACE  
**IMMEDIATELY**

2

70.013.01

REF	PART NO.	DESCRIPTION	QTY
01	30.125.15	DECAL , DISENGAGE DRIVE	1
02	30.062.41	BROKEN CUTTER PLAQUE	1
03	05.774.03	SERIAL NUMBER PLAQUE TIE	1
03	05.227.01	HAMMER DRIVE SCREW NO.6 x 7/8"	2
04	30.103.31	DECAL ROTATING CUTTERS	2
05	30.211.28	DECAL "TURNER" SMALL	1



70.558.01

KEY NO.	PART NO.	DESCRIPTION	QTY
01	30.030.47	BRUSH BUSTER HOOD	1
02	30.036.89	SKID FAB LH BRUSH BUSTER	1
02	05.291.33	BOLT M16 X 40	2
02	05.287.04	NYLOC NUT M16	2
02	30.071.08	WASHER, PLAIN M16 FORM C Z/P	2
03	30.036.90	SKID FAB RH BRUSH BUSTER	1
03	05.291.33	BOLT M16 X 40	2
03	05.287.04	NYLOC NUT M16	2
03	30.071.08	WASHER, PLAIN M16 FORM C Z/P	2
04	30.030.57	WEAR PLATE, CURVED ( LH & RH )	2
04	05.282.02	SPRING WASHER 10MM PLATED	10
04	30.050.62	SCREW 3/8" BSF X 3/4"	10
05	30.020.91	SHAFT, ROLLER(1.1/8SQ X51.13/16	1
06	30.020.88	ROLLER H.M. 15 4FT.	1
07	30.060.39	BEARING DF 140/9	2
08	30.020.09	OUTER BEARING CASTING T.M.84	2
08	30.068.21	CAP SCREW 1 1/2 X 7/16 BSF	8
08	05.293.04	SPRING WASHER 7/16" PLATED	8
09	30.120.42	GUARD, BELT	1
09	30.050.62	SCREW 3/8" BSF X 3/4"	6
09	05.281.02	PLAIN WASHER, 3/8"	6
09	05.282.02	SPRING WASHER 10MM PLATED	6





70.559.01

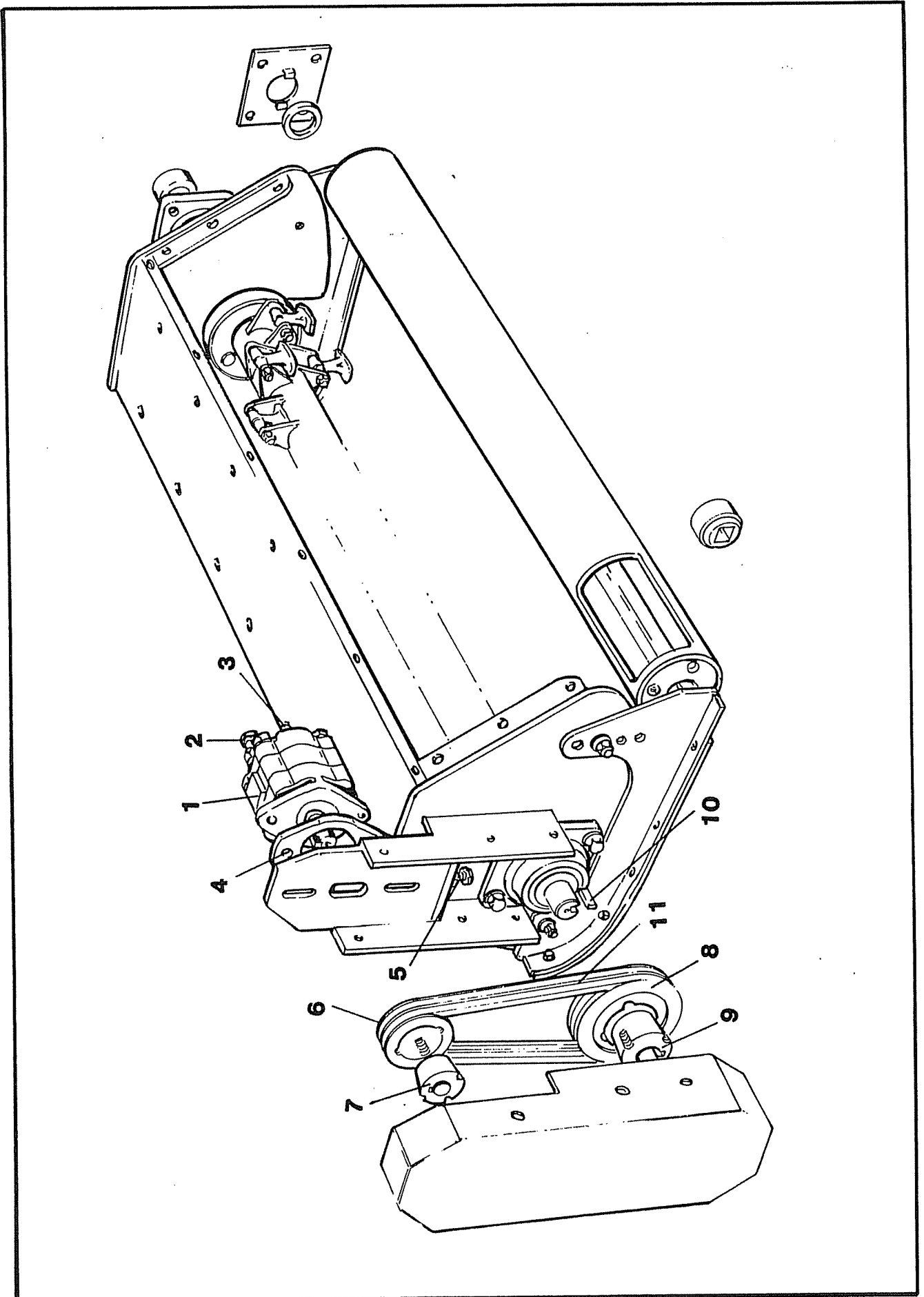
## BRUSH BUSTER BEARING ASSEMBLY

KEY NO.	PART NO.	DESCRIPTION	QTY
01	30.034.50	GUARD GRASS	1
02	30.111.57	SEAL PLATE ROTOR SHAFT	1
03	30.205.37	'V' RING 'S' TYPE 705	1
04	30.051.83	BEARING SF2 DEC MS44	1
04	05.291.34	BOLT M16 X 45	4
04	30.071.24	WASHER, SPRING M16 Z/P	4
05	30.034.50	GUARD GRASS	1
06	30.111.57	SEAL PLATE ROTOR SHAFT	1
07	30.205.37	'V' RING 'S' TYPE 705	1
08	30.051.83	BEARING SF2 DEC MS44	1
08	05.291.34	BOLT M16 X 45	2
08	05.291.35	BOLT M16 X 50	2
08	30.071.24	WASHER, SPRING M16 Z/P	4
09	30.115.28	CAPPING 2" FLANGE BRG RTR/SHFT	1

70.489.01

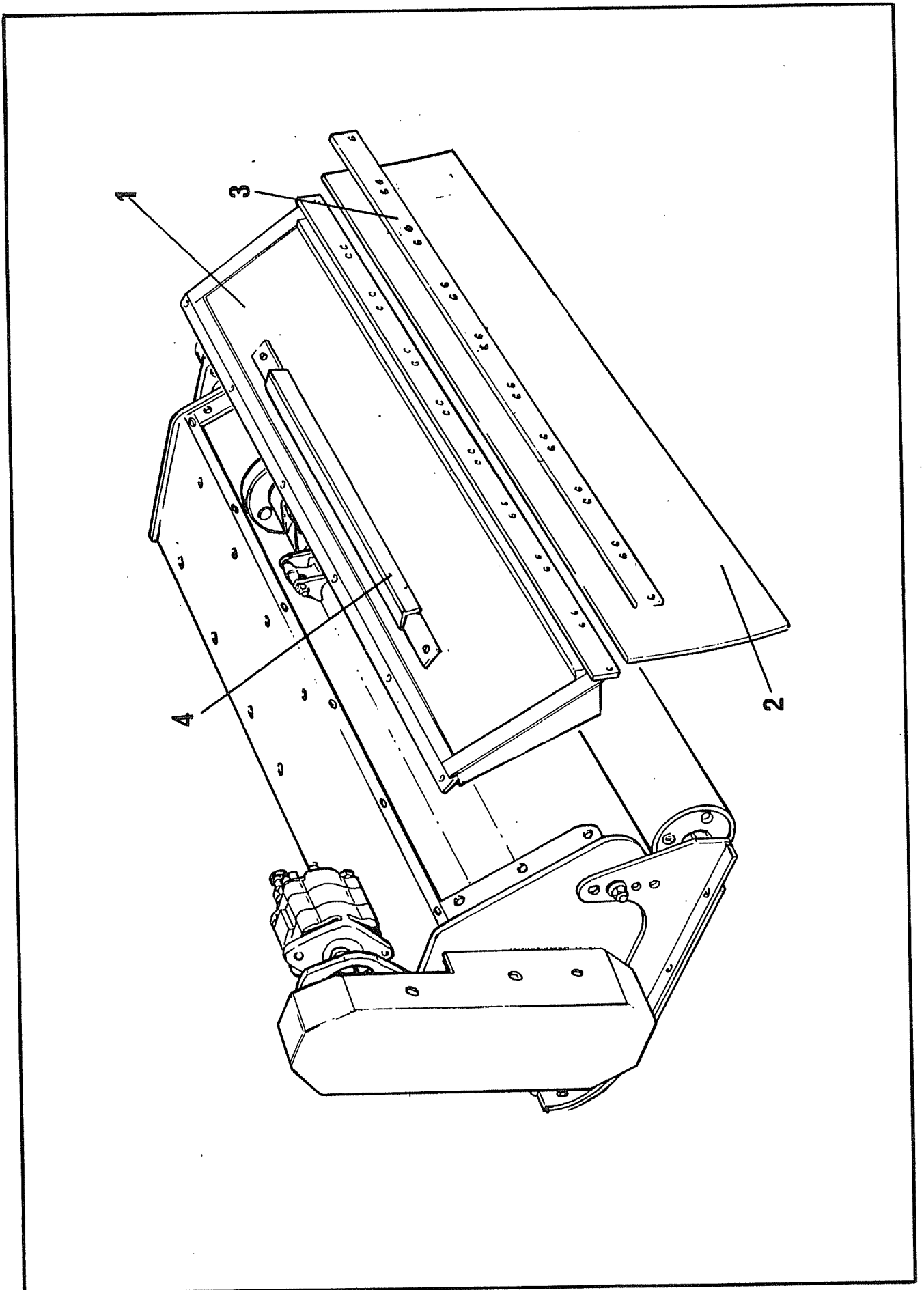
## BRUSH BUSTER ROTOR SHAFT ASSEMBLY

KEY NO.	PART NO.	DESCRIPTION	QTY
	30.049.35	ROTOR SHAFT ASSEMBLY	1
10	30.129.53	BRUSH BUSTER ROTOR SHAFT HD.	1
11	30.122.82	FORGED CUTTER (MACHINED) BB	16
11	05.292.36	BOLT M16 x 130	16
11	05.287.04	NYLOC NUT M16	16



70.560.01

KEY NO.	PART NO.	DESCRIPTION	QTY
70.560.01			
01	30.078.70	MOTOR, HYD. M30ASP1897SPZEAB1043	1
01	30.079.40	KEY (X10-13)	
02	30.052.73	WASHER, BONDED 3/4" BSP	2
02	30.052.85	ADAPTOR 1" X 3/4" M/M BSP	2
02	30.062.15	CAP, PLASTIC 1" BSP FEMALE	2
03	30.052.70	USE 05.290.02 B. WASHER 1/4" BSP	1
03	30.052.79	ADAPTOR, 1/4" X 1/4" M/M BSP	1
03	30.062.17	CAP, PLASTIC 1/4" BSP FEMALE	1
04	30.012.45	PACKING PIECE, MOTOR	2
04	30.070.67	NUT, NYLOC M12 Z/P	2
04	30.071.15	WASHER, PLAIN M12 (FORM A) Z/P	2
04	30.073.01	BOLT M12 X 50 MM CUP SQUARE	2
05	30.050.29	NUT, PLAIN 1/2" BSF	1
05	30.051.33	SCREW 1/2" BSF X 5" Z/P	1
06	30.212.67	PULLEY 112X2SPA TPR LCK	1
07	30.052.36	1610 X 1" TAPER LOCK BUSH	1
08	30.212.66	PULLEY 180X2SPA TPR LCK	1
09	30.078.45	TAPER LOCK BUSH 2012 X 2"	1
10	30.018.25	KEY 1.1/2 X 1/2 X 3/8	1
11	30.212.68	BELT V SPA1120(WRAPPED)	2
12	30.213.89	HOSE 1" x 88" STAP/STR	2
12	30.213.90	HOSE 1/4" x 88" STAP/STR	1

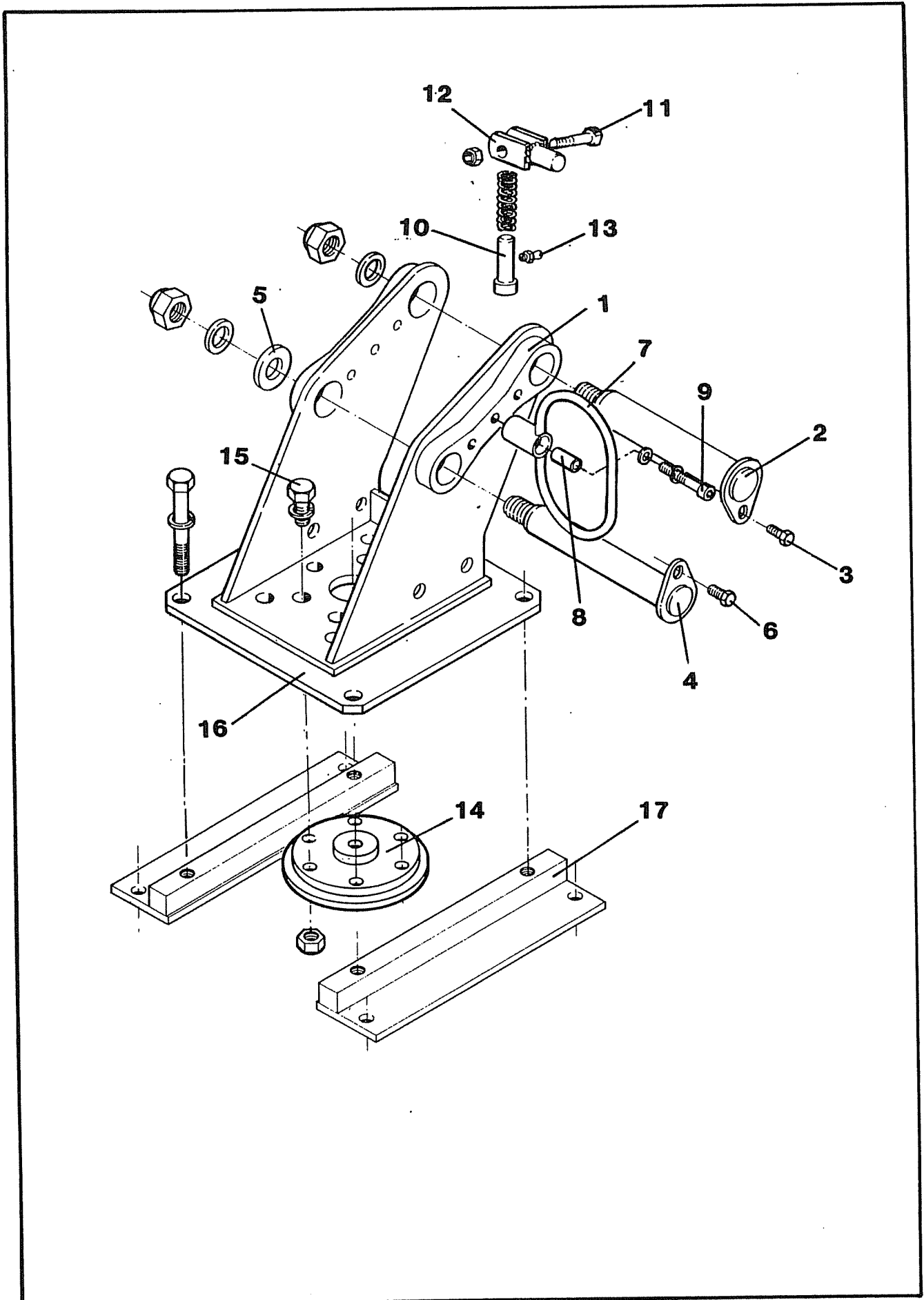


70.562.01

---

REF	PART NO.	DESCRIPTION	QTY
01	30.031.86	REAR SHIELD	1
01	30.069.19	HX. HD. BOLT M10 x 35	6
01	30.069.25	HX. HD. BOLT M10 x 65	6
01	30.070.66	NYLOC NUT M10	12
01	30.071.14	PLAIN WASHER	12
02	30.129.78	RUBBER FLAP	1
03	30.032.46	FLAP STRIP	1
03	30.068.99	HX. HD. BOLT M8 x 30	8
03	30.070.65	NYLOC NUT M8	8
03	30.071.13	PLAIN WASHER	8
04	30.136.77	HOSE DEFLECTOR STRIP	1
04	05.291.18	BOLT M10 x 65	2

---



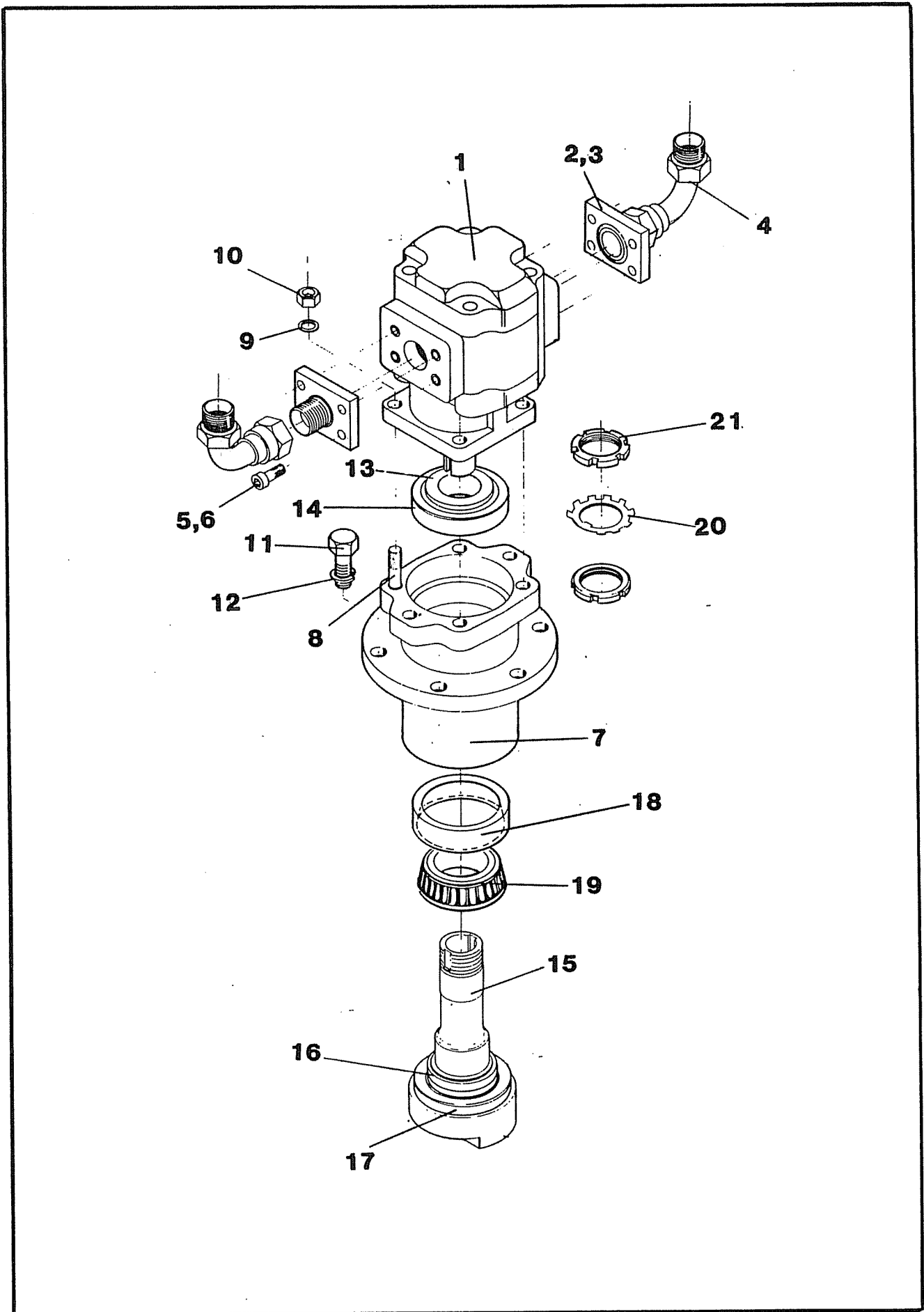
70.561.01

KEY NO.	PART NO.	DESCRIPTION	QTY
01	30.134.89	HOOD MTG BRKT TOP MTD WITH T/T	1
02	30.134.63	PIN HOOD PIVOT (40DIA) HM SX	1
03	05.287.06	NYLOC NUT M24	1
03	05.281.06	PLTD.WASHER, M24	1
03	30.213.91	DURLOK BOLT M10 X 20	1
04	30.134.62	PIN HOOD ANGLING (35DIA) HM SX	1
05	30.134.67	SPACING COLLAR HM SX	1
06	05.287.06	NYLOC NUT M24	1
06	05.281.06	PLTD.WASHER, M24	1
06	30.213.91	DURLOK BOLT M10 X 20	1
07	30.135.24	HOSE LOOP	1
08	30.135.25	CLAMPING TUBE	1
09	30.071.14	WASHER, PLAIN M10 2MM THICK Z/P	1
09	30.071.22	WASHER, SPRING M10 Z/P	1
09	30.214.05	SCREW M10 X 60 SKT HD CAP(S/C)	1
10	30.124.54	PIN, TURNTABLE LOCKING HM 'S'	1
10	30.207.74	SPRING, COMPRESSION 2 1/2" LONG	1
11	30.068.87	BOLT M6 X 40 MM 8.8 GRADE Z/P	1
11	30.070.64	NUT NYLOC M6. Z/P.	1
12	30.124.56	LEVER, LOCKING PIN RELEASE 'S'	1
13	30.054.09	GREASE NIPPLE 1/4" BSF	1
14	30.124.52	TURNTABLE SWIVEL DISC	1
15	05.291.36	BOLT M16 x 55	6
15	05.287.04	NYLOC NUT M16	6
16	30.124.53	TURNTABLE MOUNTING HM 'S' RM	1
16	05.264.34	SCREW M16 x 35	4
16	30.213.86	NORD LOCK WASHER	8
17	30.132.08	BRKT., HD. ADAPTOR BRUSH BUSTER	2
17	05.219.35	BOLT M16 x 50	4
17	05.287.04	NYLOC NUT M16	4



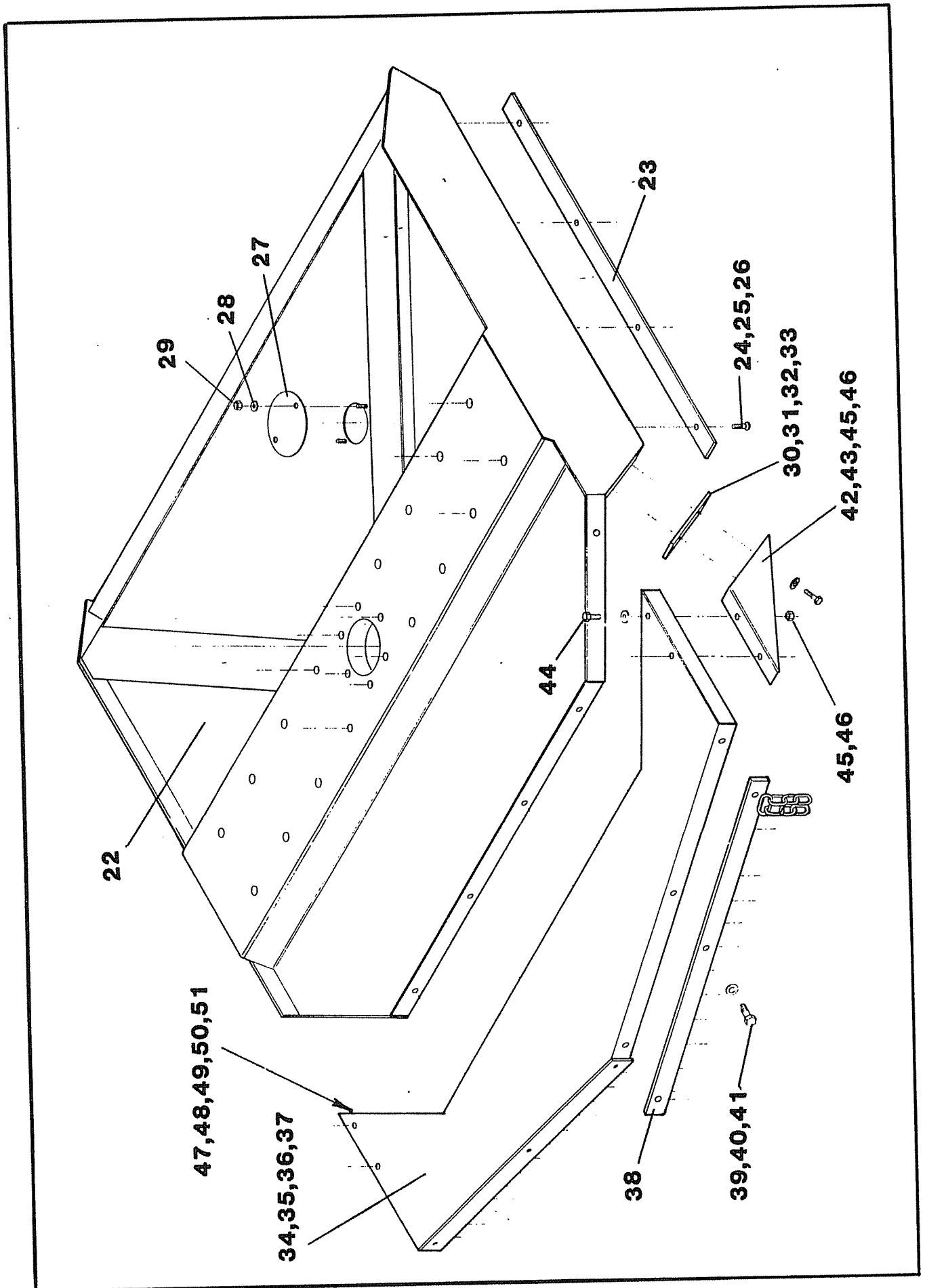
CONTENTS

<u>PAGE NO.</u>	<u>TITLE</u>	<u>SCHEDULE NO.</u>
5-2	DRIVE ASSEMBLY	70.574.01
5-4	HOOD ASSEMBLY	70.328.02
5-6	CUTTER ASSEMBLY	70.575.01
5-8	SX MOUNTING ASSEMBLY	70.576.01
5-10	ROLLER ASSEMBLY	70.577.01
5-12	DECAL KIT	70.578.01



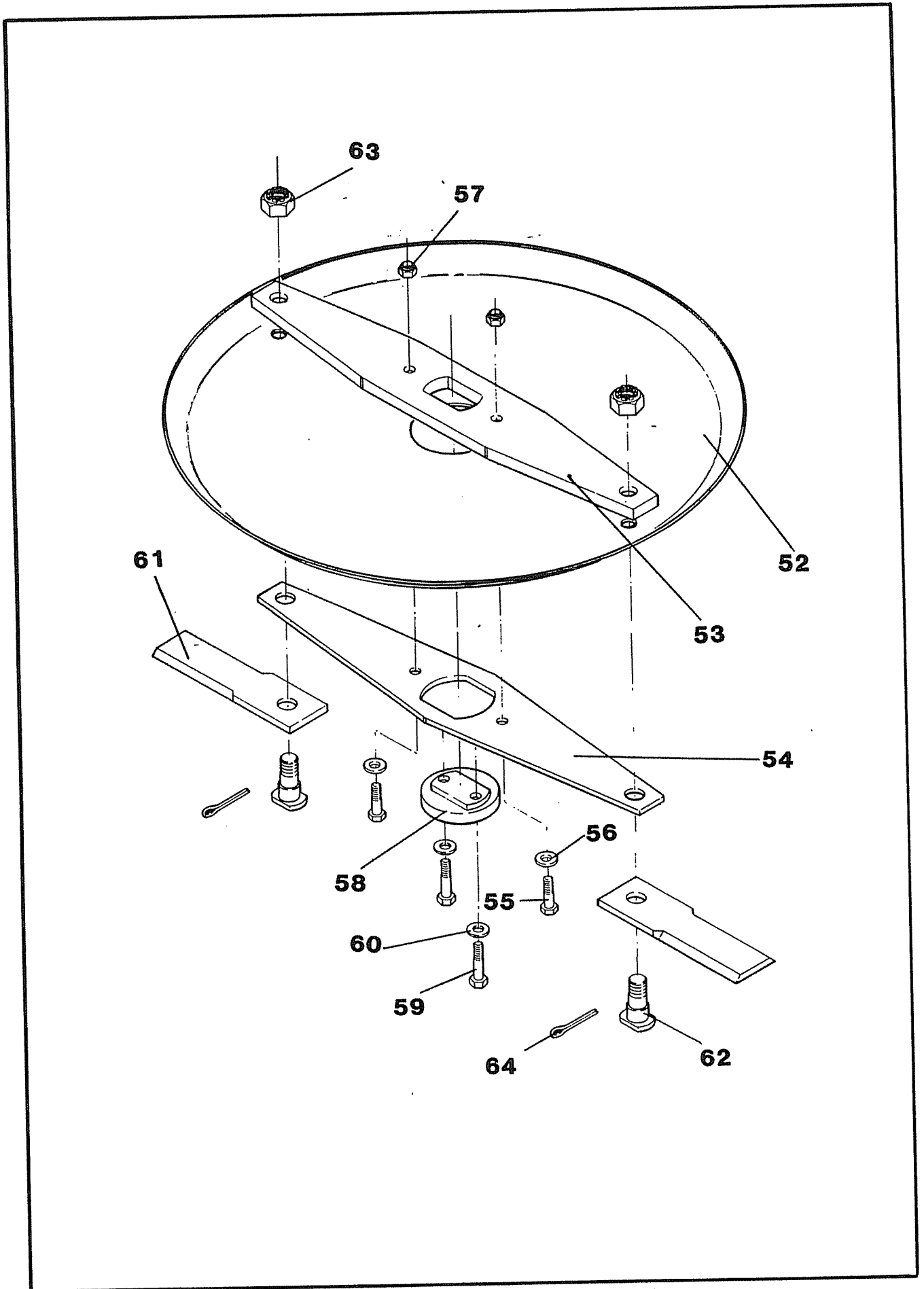
70.328.01

REF	PART NO.	DESCRIPTION	QTY
01	30.217.34	HOSE 1" X 66" STAPLOCK/STR	2
01	30.219.42	HYD MOTOR COMM HYD	1
02	30.206.12	FLANGE ADAPTOR SAW HEAD	2
03	30.204.97	'O' RING BS 222 1 1/2" ID	2
04	30.052.66	1" BSP M/F SWEPT ELBOWS	2
05	30.206.00	SOCKET HD CAPSCREW 7/16UNC* 1"	8
06	30.052.43	USE 05.293.04 S.WASHER 7/16"	8
07	30.132.47	BEARING HOUSING	1
08	30.132.56	STUD M12 X 55 ALL THREAD	6
09	30.071.15	WASHER, PLAIN M12 (FORM A) Z/P	4
10	30.070.67	NUT, NYLOC M12 Z/P	4
11	30.069.59	USE 05.291.34 BOLT M16 X 45	6
12	30.071.24	WASHER, SPRING M16 Z/P	6
13	30.212.45	BEARING CONE(HM 903249)	1
14	30.212.46	BEARING CUP(HM 903210)	1
15	30.141.62	DRIVE SHAFT LWRH	1
16	30.141.77	SPECIAL WASHER	1
17	30.220.85	SHAFT SEAL 4" X 3" X 1/2" LWRH	1
18	30.220.83	BEARING CUP 3.3/4"DIA LWRH	1
19	30.220.84	BEARING CONE 2.1/8"BORE LWRH	1
20	30.212.49	WASHER LOCK	1
21	30.212.48	NOTCH NUT (3072 1.3/4 X 16 UNS)	2
22	30.217.34	HOSE 1" x 66" STAP/STR	2



70.328.01

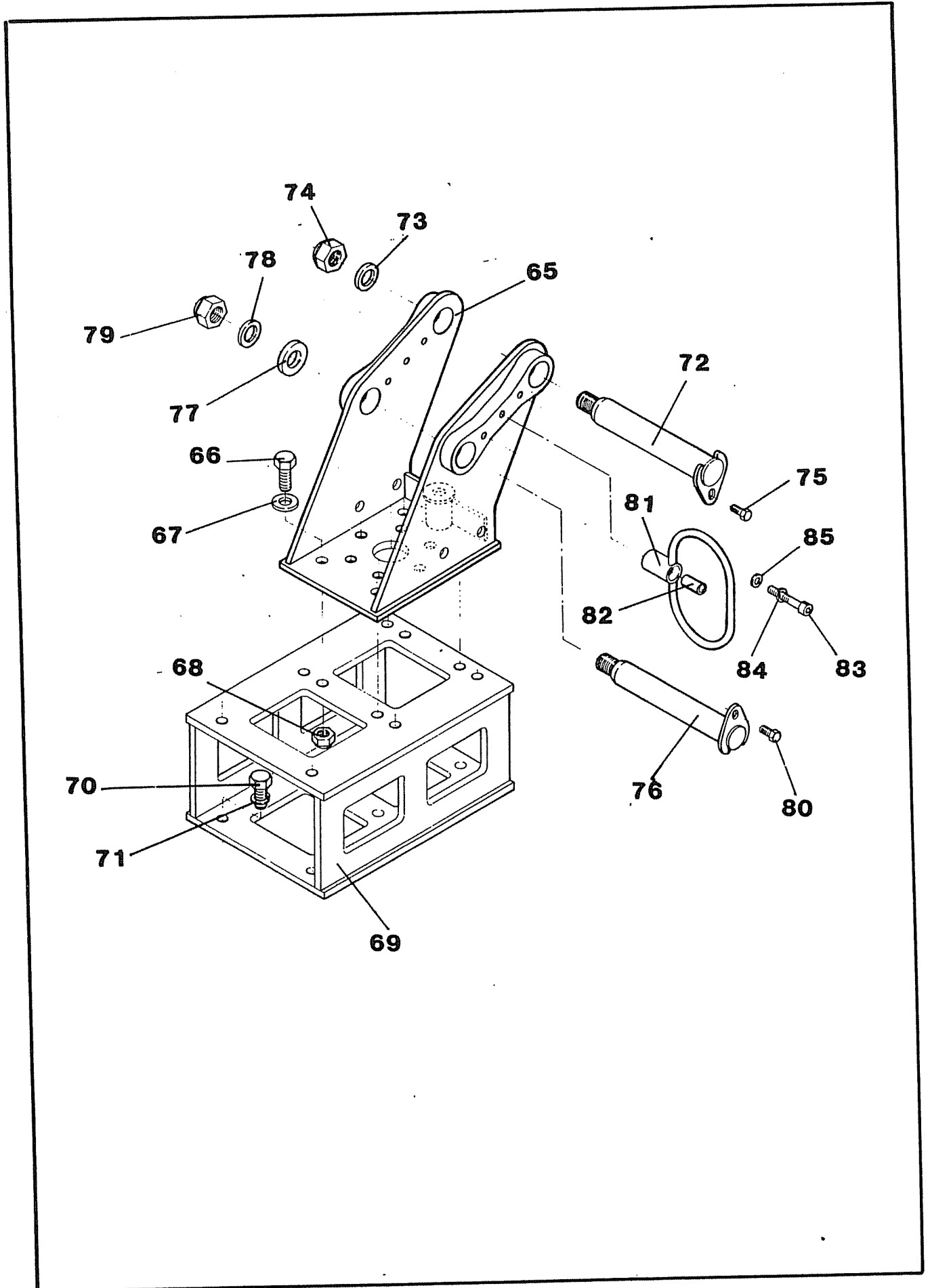
REF	PART NO.	DESCRIPTION	QTY
22	30.133.07	HOOD	1
23	30.133.08	BTM WEAR PL	2
24	30.208.82	SCKT HEAD SCREW M10 X 30MM S/C	8
25	30.071.14	WASHER, PLAIN M10 2MM THICK Z/P	8
26	30.070.66	NUT, NYLOC M10	8
27	30.140.94	INSPECTION COVER LT WT ROT	1
28	30.071.13	WASHER, PLAIN M8 Z/P	2
29	30.070.65	NYLOC NUT M8	2
30	30.132.42	FRONT WEAR PLATE	2
31	30.208.82	SCKT HEAD SCREW M10 X 30MM S/C	4
32	30.070.66	NUT, NYLOC M10	4
33	30.071.14	WASHER, PLAIN M10 2MM THICK Z/P	4
34	30.133.09	FRT GUARD	1
35	30.069.19	USE 05.291.12 BOLT M10 X 35	6
36	30.071.14	WASHER, PLAIN M10 2MM THICK Z/P	6
37	30.070.66	NUT, NYLOC M10	6
38	30.132.45	CHAIN GUARD	2
39	30.069.26	USE 05.291.19 BOLT M10 X 70	6
40	30.071.14	WASHER, PLAIN M10 2MM THICK Z/P	6
41	30.070.66	NUT, NYLOC M10	6
42	30.133.10	FT GUARD MTG BRKT LH	1
43	30.069.19	USE 05.291.12 BOLT M10 X 35	2
44	30.069.24	USE 05.291.17 BOLT M10 X 60	2
45	30.070.66	NUT, NYLOC M10	4
46	30.071.14	WASHER, PLAIN M10 2MM THICK Z/P	4
47	30.133.11	FRT GUARD MTG BRKT RH	1
48	30.069.19	USE 05.291.12 BOLT M10 X 35	2
49	30.069.24	USE 05.291.17 BOLT M10 X 60	2
50	30.070.66	NUT, NYLOC M10	4
51	30.071.14	WASHER, PLAIN M10 2MM THICK Z/P	4



70.328.01

---

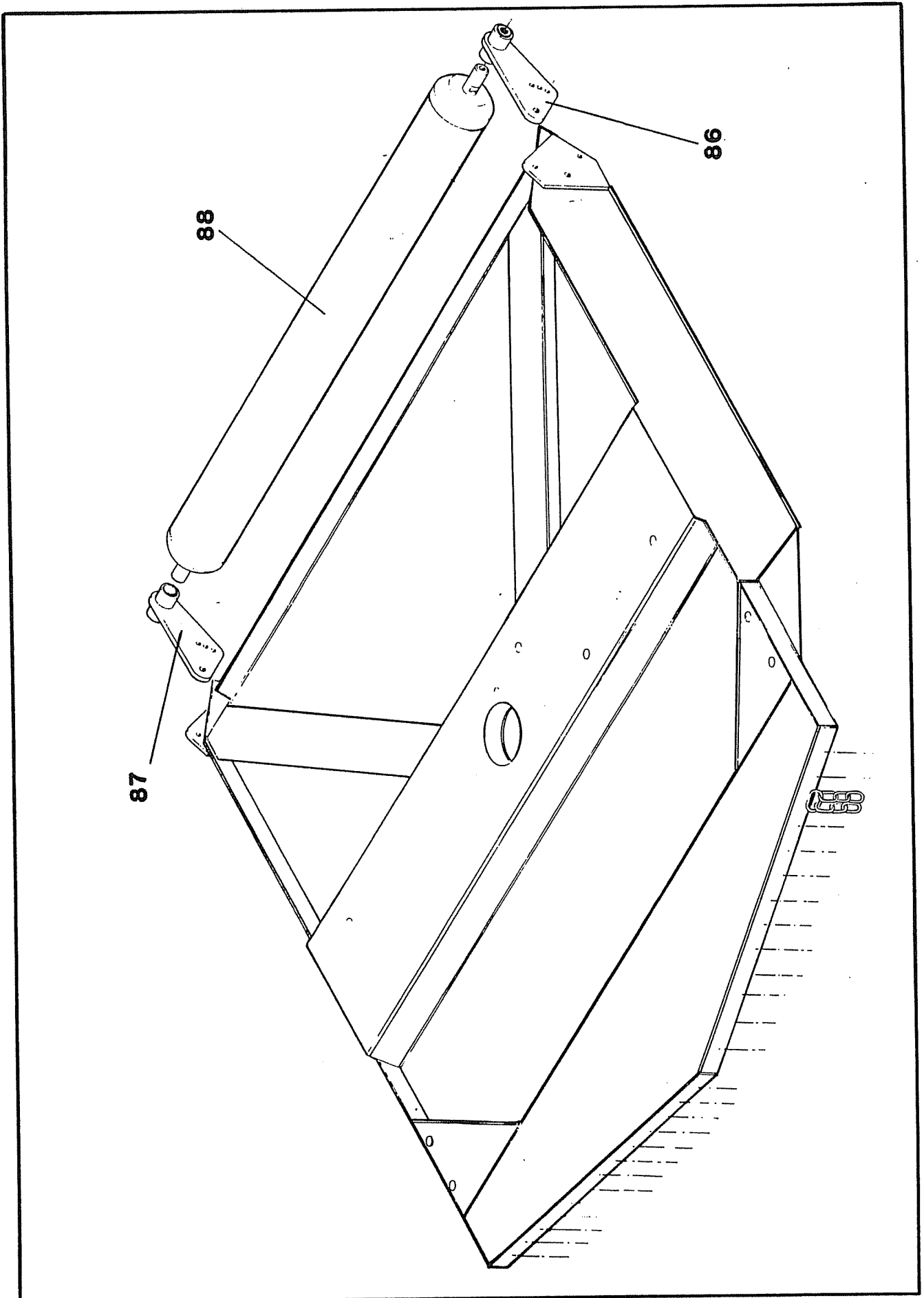
REF	PART NO.	DESCRIPTION	QTY
52	30.133.19	STUMP JUMPER	1
53	30.138.03	CUTTER MOUNTING BAR (THICK)	1
54	30.138.01	CUTTER MOUNTING BAR (THIN)	1
55	30.069.62	USE 05.291.37 BOLT M16 X 60	2
56	30.071.08	WASHER, PLAIN M16 FORM C Z/P	2
57	30.070.68	USE 05.287.04 NUT, NYLOC M16	2
58	30.138.02	CUTTER CLAMP PLATE	1
59	30.069.61	USE 05.291.36 BOLT M16 X 55	2
60	30.071.24	WASHER, SPRING M16 Z/P	2
61	30.132.50	CUTTER	2
62	30.138.33	CUTTER BOLT ROTARY SLASHER	2
63	30.120.82	THIN CASTELLATED NUT(MOD 20571	2
64	30.205.89	SPLIT PIN 1/4" X 2.1/2"	2





70.328.01

REF	PART NO.	DESCRIPTION	QTY
65	30.134.89	HOOD MTG BRKT TOP MTD WITH T/T	1
66	30.069.60	USE 05.291.35 BOLT M16 X 50	4
67	30.071.08	WASHER, PLAIN M16 FORM C Z/P	4
68	30.070.68	USE 05.287.04 NUT, NYLOC M16	4
69	30.132.46	MTG BRKT ADAPTOR	1
70	30.069.59	USE 05.291.34 BOLT M16 X 45	6
71	30.071.24	WASHER, SPRING M16 Z/P	6
72	30.134.63	PIN HOOD PIVOT (40DIA) HM SX	1
73	30.071.18	USE 05.281.06 PLTD. WASHER, M24	1
74	30.070.70	USE 05.287.06 NUT, NYLOC M24	1
75	30.213.91	DURLOK BOLT M10 X 20	1
76	30.134.62	PIN HOOD ANGLING (35DIA) HM SX	1
77	30.134.67	SPACING COLLAR HM SX	1
78	30.070.70	USE 05.287.06 NUT, NYLOC M24	1
79	30.071.18	USE 05.281.06 PLTD. WASHER, M24	1
80	30.213.91	DURLOK BOLT M10 X 20	1
81	30.135.24	HOSE LOOP	1
82	30.135.25	CLAMPING TUBE	1
83	30.214.05	SCREW M10 X 60 SKT HD CAP(S/C)	1
84	30.071.22	WASHER, SPRING M10 Z/P	1
85	30.071.14	WASHER, PLAIN M10 2MM THICK Z/P	1



70.328.01

---

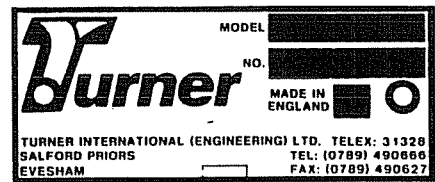
REF	PART NO.	DESCRIPTION	QTY
86	30.143.22	ROLLER BRACKET LH	1
86	30.069.60	HX. HD. BOLT M16 x 50	1
86	30.071.08	PLAIN WASHER M16	1
86	30.070.68	NYLOC NUT M16	1
86	30.069.40	HX. HD. BOLT M12 x 45	1
86	30.070.67	NYLOC NUT M12	1
87	30.143.23	ROLLER BRACKET RH	1
87	30.069.60	HX. HD. BOLT M16 x 50	1
87	30.071.08	PLAIN WASHER M16	1
87	30.070.68	NYLOC NUT M16	1
87	30.069.40	HX. HD. BOLT M12 x 45	1
87	30.070.67	NYLOC NUT M12	1
88	30.208.99	ROLLER	1
88	30.208.94	TAB WASHER	2
88	30.069.38	HX. HD. BOLT M12 x 35	2



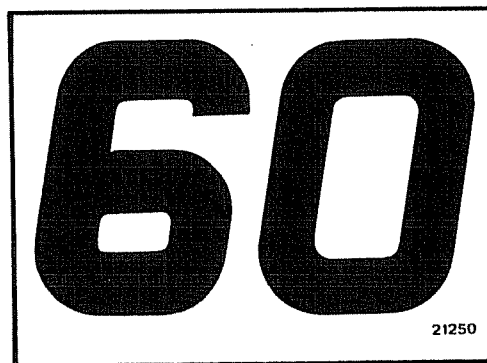
1

**WARNING**  
**ROTATING CUTTERS**  
**- KEEP AWAY**

4



5



21250

3

**ROTARY**

2

---

REF	PART NO.	DESCRIPTION	QTY
01	30.209.05	'TURNER' LABEL	1
02	30.209.00	'ROTARY' LABEL	1
03	30.212.50	'60' LABEL	1
04	30.103.31	DECAL ROTATING CUTTERS	1
05	05.774.03	SERIAL NUMBER PLAQUE TIE	1
05	05.227.01	HAMMER DRIVE SCREW NO.6 x 7/8"	2

---