

PM6015

HERON

ARM MOWER
PARTS MANUAL
ISSUE 1

IMPORTANT

NOTE HERE THE SERIAL NUMBER OF YOUR MACHINE AND ALWAYS QUOTE IT IN ANY COMMUNICATION WITH US OR YOUR DEALER. THIS IS PARTICULARLY IMPORTANT WHEN ORDERING SPARES. REMEMBER TO INCLUDE ALL NUMBERS AND LETTERS.

MACHINE SERIAL NUMBERS _____

THE INFORMATION GIVEN THROUGHOUT THIS MANUAL IS CORRECT AT THE TIME OF PUBLICATION. HOWEVER, IN THE COURSE OF CONSTANT DEVELOPMENT OF BOMFORD TURNER MACHINES, CHANGES IN SPECIFICATION ARE INEVITABLE. SHOULD YOU FIND THE INFORMATION GIVEN IN THIS BOOK TO BE AT VARIANCE WITH THE MACHINE IN YOUR POSSESSION, YOU ARE ADVISED TO CONTACT THE BOMFORD TURNER SERVICE DEPARTMENT WHERE UP-TO-DATE INFORMATION WILL BE PROVIDED.

THE MANUAL CAN CONTAIN STANDARD AND OPTIONAL FEATURES AND IS NOT TO BE USED AS A MACHINE SPECIFICATION.

THE MACHINE HAS BEEN TESTED AND IS CONSIDERED SAFE IF CAREFULLY USED. ENSURE YOUR OPERATOR IS PROPERLY TRAINED IN ITS USE AND MAINTENANCE.

IMPORTANT

NOTEZ ICI LES NUMEROS DE SERIE DE VOTRE MACHINE ET MENTIONNEZ LES DANS TOUTE COMMUNICATION AVEC NOS SERVICES OU VOTRE REVENDEUR. CECI EST IMPORTANT POUR LA COMMANDE DE PIECES DETACHEES. PENSEZ A NOTER TOUS LES NUMEROS ET TOUTES LES LETTERS.

NUMEROS DE SERIE DE LA MACHINE _____

LES INFORMATIONS DONNEES DANS CE MANUEL SONT CORRECTES CEPENDANT, DU FAIT DE DEVELOPPEMENT CONSTANT DES MACHINES BOMFORD TURNER.

CHANGEMENTS DANS LES CARACTERISTIQUES SONT INEVITABLES.

SI VOUS TROUVEZ QUE LES INFORMATIONS DONNEES NE CORRESPONDENT PAS A VOTRE MACHINE VEUILLEZ CONTACTER LE SERVICE DES REPARATIONS OU DES INFORMATIONS PLUS RECENTES VOUS SERONT DONNEES.

CE MANUEL PEUT MONTRER DES CARACTERISTIQUES OPTIONNELLES ET NE PEUT PAS ETRE CONSIDERE COMME SPECIFICATION DE LA MACHINE.

CETTE MACHINE A ETE TESTEE, ET ELLE EST CONSIDEREE COMME FIABLE A CONDITION D'UNE BONNE UTILISATION. ASSUREZ-VOUS QUE VOTRE OPERATEUR EST QUALIFIE EN CE QUI CONCERNE L'UTILISATION DE LA MACHINE AINSI QUE SON ENTRETIEN.

WICHTIG

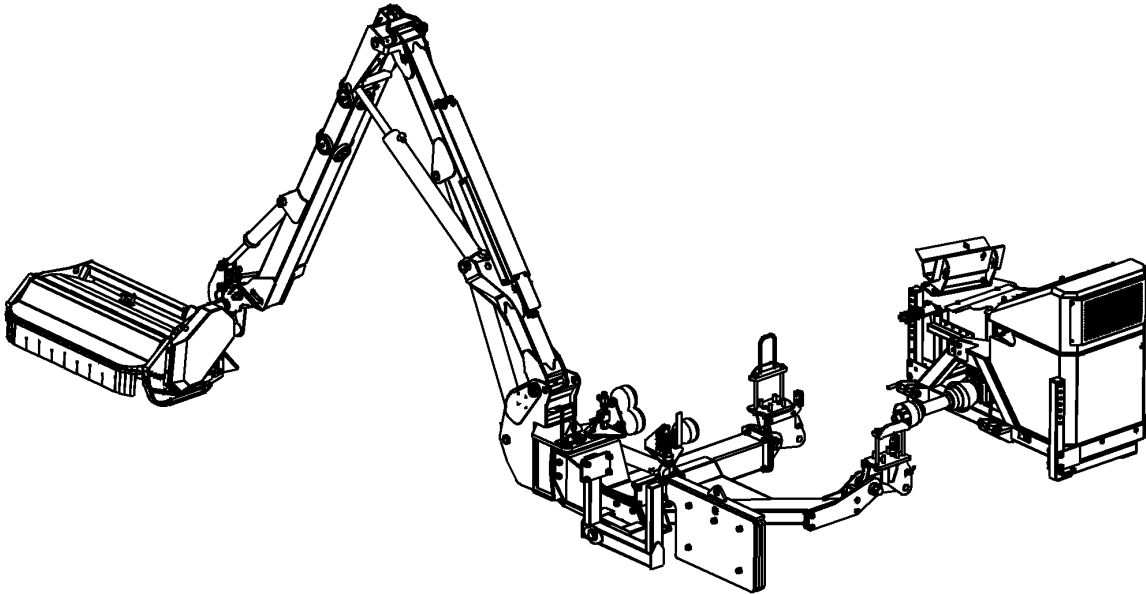
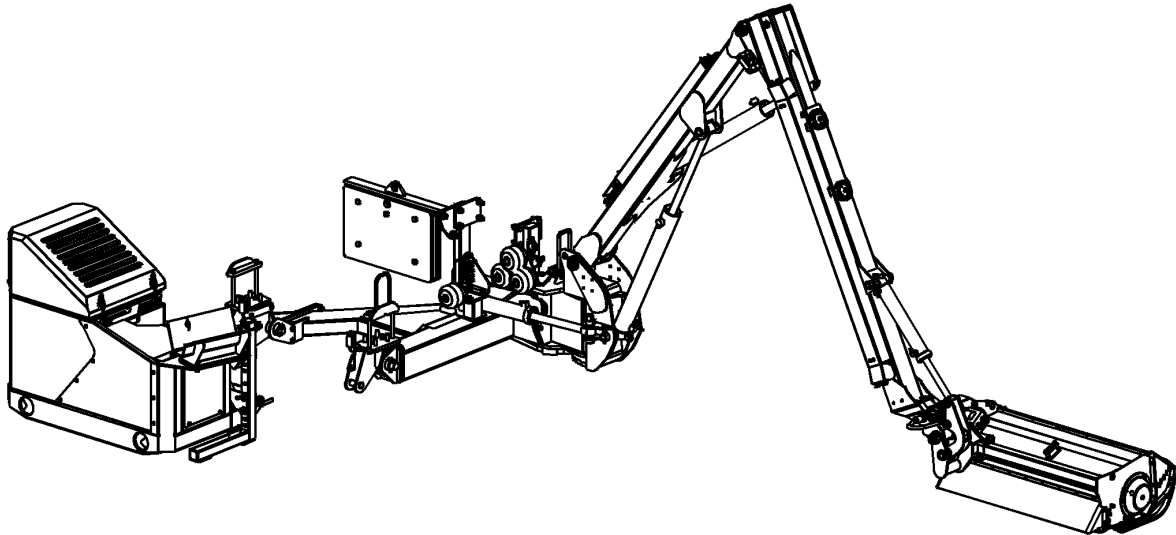
TRAGEN SIE HIER DIE SERIENNUMMERN IHRER MASCHINE EIN UND GEBEN SIE DIESE IMMER AN, WENN SIE SICH AN UNS ODER IHREN HÄNDLER WENDEN. DAS IST BESONDERS BEI ERSATZTEILBESTELLUNGEN WICHTIG. VERGESSEN SIE NICHT, ALLE ZAHLEN UND BUCHSTABEN ZU NOTIEREN.

SERIENNUMMERN DER MASCHINE _____

DIE ANGABEN INDIESEM HANDBUCH SIND BEI VERÖFFENTLICHUNG KORREKT. AUFGRUND DER KONSTANTEN WEITERENTWICKLUNG VON BOMFORD TURNER MASCHINEN SIND JEDOCHÄNDERUGDEN IN DER SPEZIFIKATION UNVERMEIDLICH. WENN DIE INFORMATION IN DIESEM HANDBUCH NICHT MIT IHRER MASCHINE ÜBEREINSTIMMEN, NEHMEN SIE BITTE KONTAKT MIT DER BOMFORD TURNER KUNDENDIENSTABTEILUNG AUF, DIE IHNEN GERNE DIE AKTUELLEN INFORMATION ZUKOMMEN LÄSST.

DAS HANDBUCH KANN SOWOHL BESCHREIBUNGEN FÜR DIE STANDARD AUSFÜHRUNG ALS AUCH FÜR ZUBEHÖR ENTHALTEN UND IST NICHT ALS MASCHINENSPEZIFIKATION ZU VERWENDET.

DIE MASCHINE IST GETESTET UND BEI SACHGEMÄSSEM BETRIEB ALS SICHER BEFUNDEN WORDEN. SORGEN SIE DAFÜR, DASS IHR BEDIENPERSONAL IN ANWENDUNG UND WARTUNG RICHTIG GESCHULT WIRD.



INDEX

HERON RANGE OF ARM MOWER

PAGE ILLUSTRATION NUMBERS SHOWN ARE USED ONLY FOR REFERENCE PURPOSES AND SHOULD NOT BE USED FOR ORDERING SPARE PARTS. PLEASE ENSURE THE CORRECT PART NUMBER AND DESCRIPTION IS GIVEN WHEN ORDERING SPARE PARTS.

For Machines with Serial Numbers commencing from

SECTION NO	DESCRIPTION
2	MAINFRAME ASSEMBLIES
3	TANK ASSEMBLY
4	KING POST ASSEMBLY
5	ARM ASSEMBLIES
6	COWL BRACKET AND LINKAGE
7	PUMP, GEARBOX & PUMP CIRCUITS
8	CONTROL VALVE ASSEMBLIES
9	RCA ECU ASSY ICS BASIC
10	RAM CIRCUITS
11	ACCUMULATOR - SLEW
12	HOSE CIRCUITS
13	DECALS
14	ACCUMULATOR CIRCUIT FIRST RAM
15	3 POINT LINKAGE
16	LIGHTING KITS
17	OIL COOLER
18	TANK LID
19	WEIGHT BRACKET ASSY

IMPORTANT

THIS MACHINE IS FOR VEGETATION CONTROL AND MUST NOT BE USED FOR ANY OTHER PURPOSE.

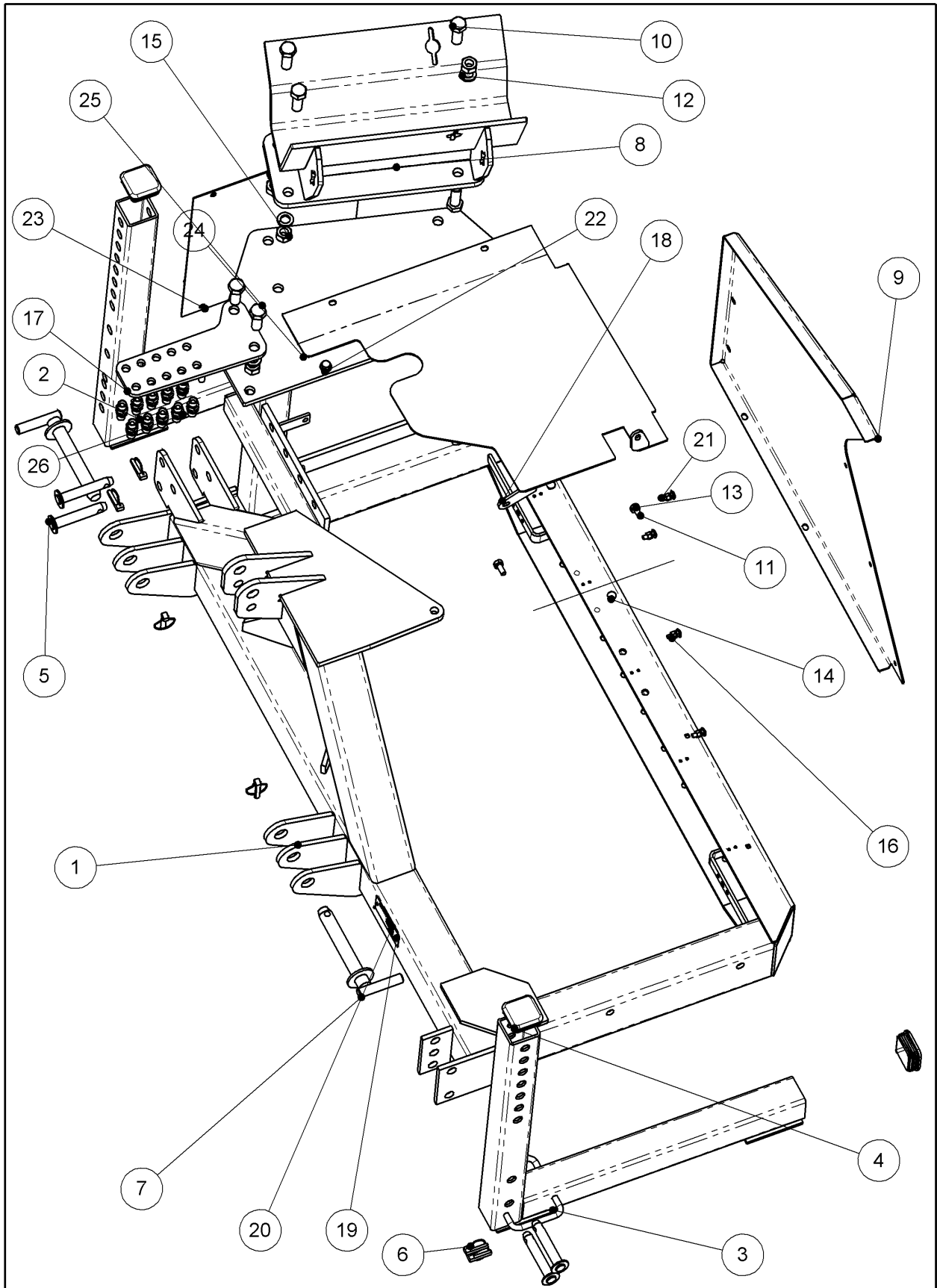
IT IS POTENTIALLY HAZARDOUS TO FIT OR USE ANY PARTS OTHER THAN GENUINE BOMFORD TURNER PARTS.

THE COMPANY DISCLAIMS ALL LIABILITY FOR THE CONSEQUENCES OF SUCH USE WHICH, IN ADDITION, VOIDS THE MACHINE WARRANTY.

This page is intentionally left blank.

REAR FRAME ASSY RH MIDMOUNT

77.236.01 REV : A



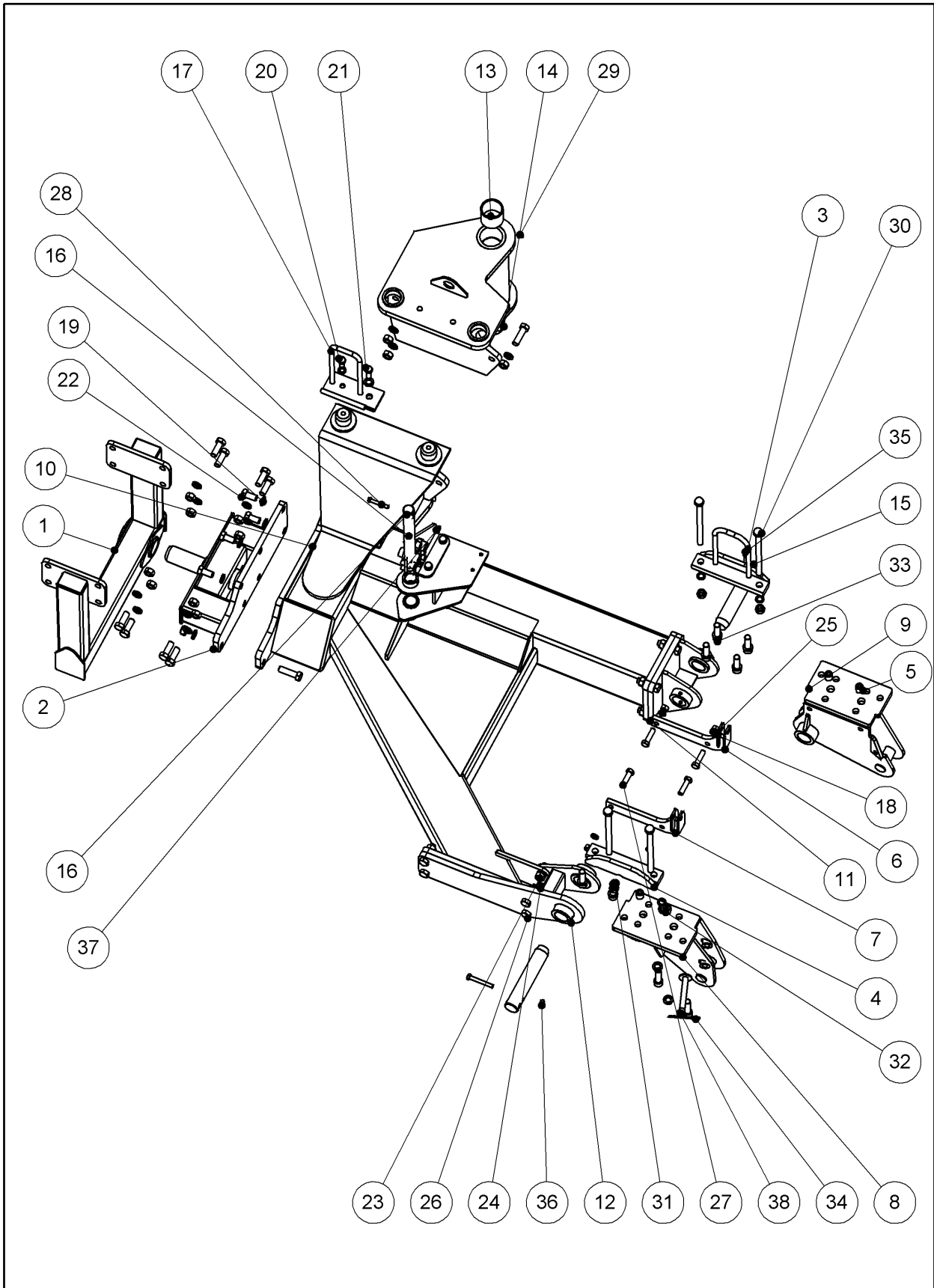
REAR FRAME ASSY RH MIDMOUNT

77.236.01 REV : A

ITEM NO.	PART NUMBER	DESCRIPTION	QTY.
1	46523.02	FRAME - REAR RH	1
2	45936.02	STAND - FRONT	1
3	45936.01	STAND - FRONT	1
4	45210.01	70 x 70 PLASTIC PLUG	4
5	03.652.08	PIN 20 DIA X 102	4
6	00.372.01	LINCH PIN	6
7	07.574.01	PIN	2
8	46564.01	BRACKET - COWL TRANSPORT	1
9	46565.02	GUARD - REAR RH	1
10	05.264.48	SETSCREW M20x55	4
11	05.264.12	SETSCREW M10x25	4
12	05.282.05	SPRING WASHER M20	6
13	05.282.02	SPRING WASHER M10	8
14	05.282.01	SPRING WASHER M8	9
15	05.286.05	NUT M20	6
16	05.286.01	NUT M8	9
17	46589.01	PLATE - HOSE MOUNTING	1
18	46614.02	GUARD - REAR TOP	1
19	05.227.01	HAMMER DRIVE SCREW	2
20	05.774.07	SERIAL PLATE	1
21	9293054	BOLT CUP SQR M8x25	9
22	05.281.02	FLAT WASHER M10	2
23	46574.02	GUARD	1
24	05.264.11	SETSCREW M10x20	4
25	05.264.47	SETSCREW M20x50	2
26	3700228	BULKHEAD 3/8"BSP	10

MAINFRAME TRACTOR JOHN DEERE

77.252.01 REV : B



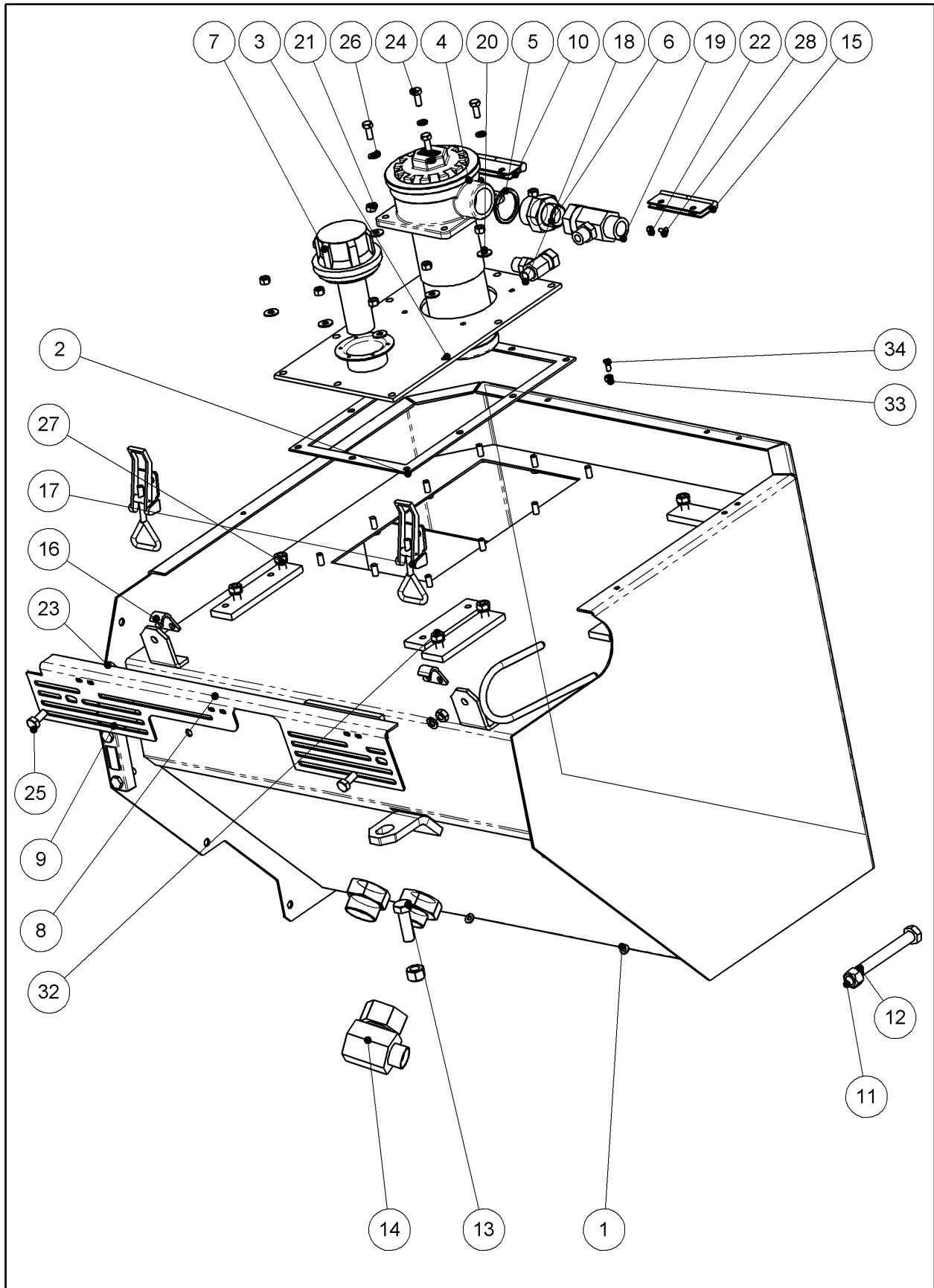
MAINFRAME TRACTOR JOHN DEERE

77.252.01 REV : B

ITEM NO.	PART NUMBER	DESCRIPTION	QTY.
1	46534.01	BRACKET - FRONT	1
2	46551.01	BRACKET - FRONT INTERFACE	1
3	46593.01	BRACKET - AXLE MOUNT	1
4	43573.01	STRAP	1
5	43574.01	BUSH DOWEL	4
6	46183.02	BRACKET RH	1
7	46183.01	BRACKET LH	1
8	46553.01	AXLE BRACKET LH	1
9	46553.02	AXLE BRACKET RH	1
10	46545.01	MAINFRAME - TRACTOR	1
11	46570.01	BRACKET - AXLE MOUNT	1
12	46572.01	BRACKET - AXLE MOUNT	1
13	46544.01	BRACKET - KINGPOST MOUNTING	1
14	08.297.07	BUSH 80x70x70	2
15	03.657.37	PIN 50 DIA X 270	2
16	43292.44	PIN 40 DIA X 400	1
17	46603.01	BRACKET - HOSE SUPPORT	1
18	05.282.04	SPRING WASHER M16	7
19	05.282.05	SPRING WASHER M20	37
20	05.264.33	SETSCREW M16x30	3
21	05.264.36	SETSCREW M16x45	1
22	05.264.45	SETSCREW M20x40	7
23	05.264.47	SETSCREW M20x50	2
24	05.286.05	NUT M20	21
25	05.286.04	NUT M16	4
26	05.291.49	BOLT M20x70	11
27	05.291.37	BOLT M16x60	4
28	05.291.19	BOLT M10x70	1
29	05.963.04	GREASE NIPPLE M10x90 deg	1
30	05.205.20	BOLT 3/4U X 11	4
31	05.293.07	SPRING WASHER 3/4"	4
32	05.288.06	NUT 3/4 UNF	4
33	05.625.36	SKT CAPSCREW M20 X 70	8
34	05.964.02	SPRING COTTER	1
35	05.292.22	BOLT M12x90	2
36	05.287.03	SELF-LOCKING NUT M12	2
37	05.287.02	SELF-LOCKING NUT M10	1
38	03.479.01	PIN 3/4"DIA X 145	1
39	05.264.48	SETSCREW M20x55	8
40	46627.01	PLATE - HOSE MOUNTING	1
41	08.128.03	BULKHEAD FITTING 1" BSP	2
42	08.128.16	ADAPTOR 5/8"BSP BULKHEAD	1
43	3700228	BULKHEAD 3/8"BSP	8

OIL TANK ASSY RH MIDMOUNT

77.109.03 REV : A



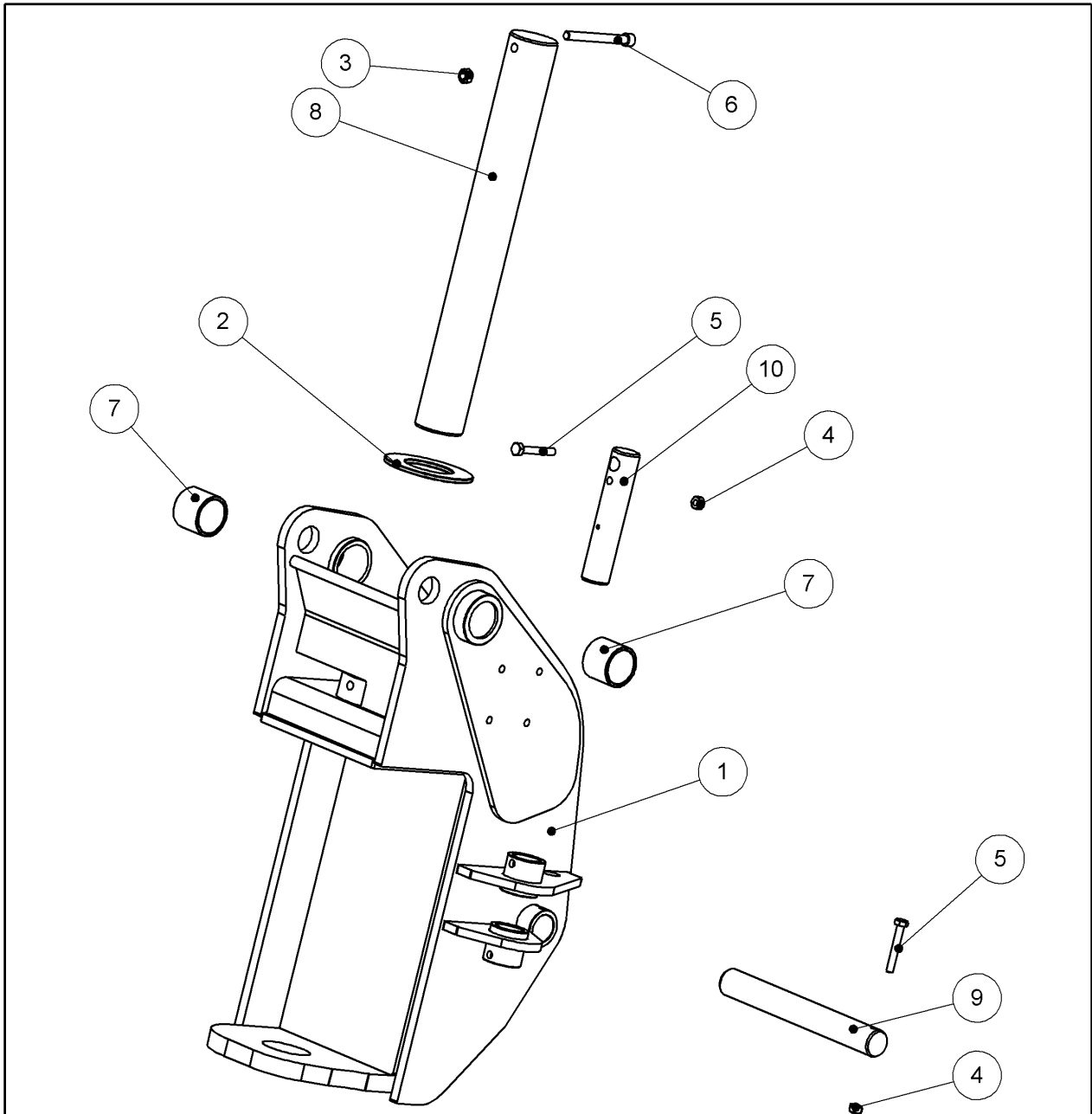
OIL TANK ASSY RH MIDMOUNT

77.109.03 REV : A

ITEM NO.	PART NUMBER	DESCRIPTION	QTY.
1	45989.02	TANK ASSY - RH FALCON	1
2	08.605.01	GASKET	1
3	41.255.01	PLATE - FILLER/FILTER	1
4	41.041.03	FILTER ASSY	1
5	05.290.08	BONDED SEAL 1.1/4" BSP	1
6	05.131.01	ADAPTOR 1"BSPx1.1/4"BSP	1
7	06.966.02	FILLER BREATHER CAP & STRAIN	1
8	47333.02	COVER - TANK RH	1
9	08.921.01	FLUID LEVEL GAUGE	1
10	46065.01	HINGE	1
11	05.287.04	SELF-LOCKING NUT M16	3
12	05.292.35	BOLT M16x120	2
13	05.291.35	BOLT M16x50	1
14	05.835.13	90 ADAPTOR M/F SWIVEL	1
15	46065.02	HINGE	1
16	43449.03	TOGGLE CLAMP PLATE	2
17	43449.04	FASTENER OVERCENTRE	2
18	04.056.48	ADAPTER - TEE 1/2F-3/8M-1/2M	1
19	04.056.34	TEE ADAPTOR FMM	1
20	05.281.01	FLAT WASHER M8	10
21	05.286.01	NUT M8	10
22	05.286.09	NUT M5	10
23	05.286.02	NUT M10	8
24	05.264.01	SETSCREW M8x20	4
25	05.264.12	SETSCREW M10x25	2
26	05.282.01	SPRING WASHER M8	4
27	05.282.02	SPRING WASHER M10	8
28	9353022	M5 SOCKET HEAD C/SK	10
29	8401047	STRAINER	2
30	05.495.01	PLUG 1/2" BSPT	1
31	08.156.02	SELF ADH. POLY STRIP	1
32	03.100.01	STUD M10x34	6
33	30.070.64	NUT NYLOC M6 Z/P	8
34	05.345.14	SOCKET CSK SCREW M6x16	8

KINGPOST ASSY RH

77.237.01 REV : A

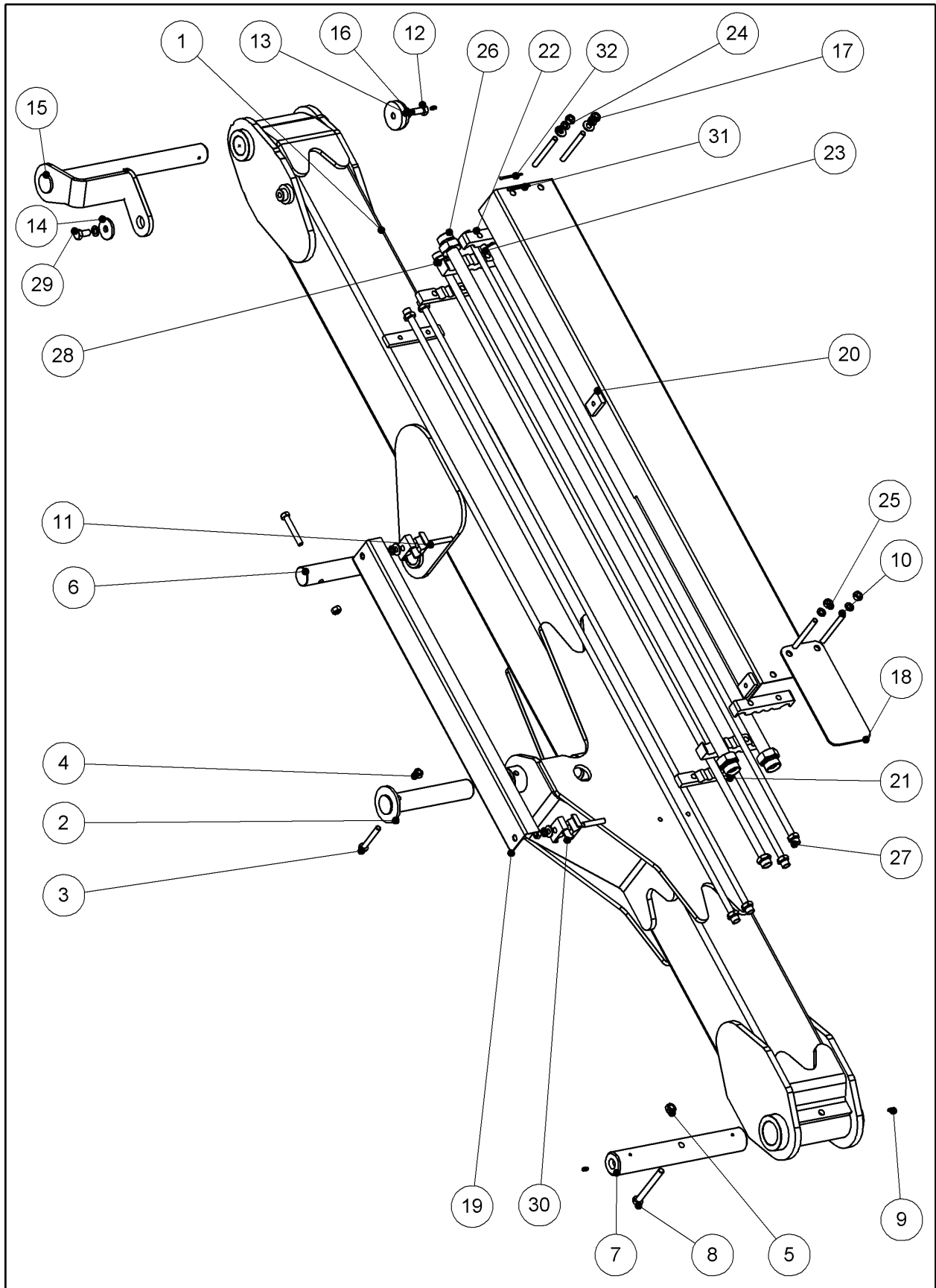


ITEM NO.	PART NUMBER	DESCRIPTION	QTY.
1	46525.02	KINGPOST RH	1
2	08.541.01	THRUST WASHER	1
3	05.287.03	SELF-LOCKING NUT M12	1
4	05.287.02	SELF-LOCKING NUT M10	2
5	05.291.19	BOLT M10x70	2
6	05.625.22	SKT CAPSCREW M12x120	1
7	08.297.01	BUSH 60x50x50	2
8	03.658.10	PIN Ø40 -162 LONG	1
9	43292.42	PIN 40 DIA X 316	1
10	43292.43	PIN 40 DIA X 194	1

This page is intentionally left blank.

ARM ASSY FIRST RH

76.498.03 REV : A



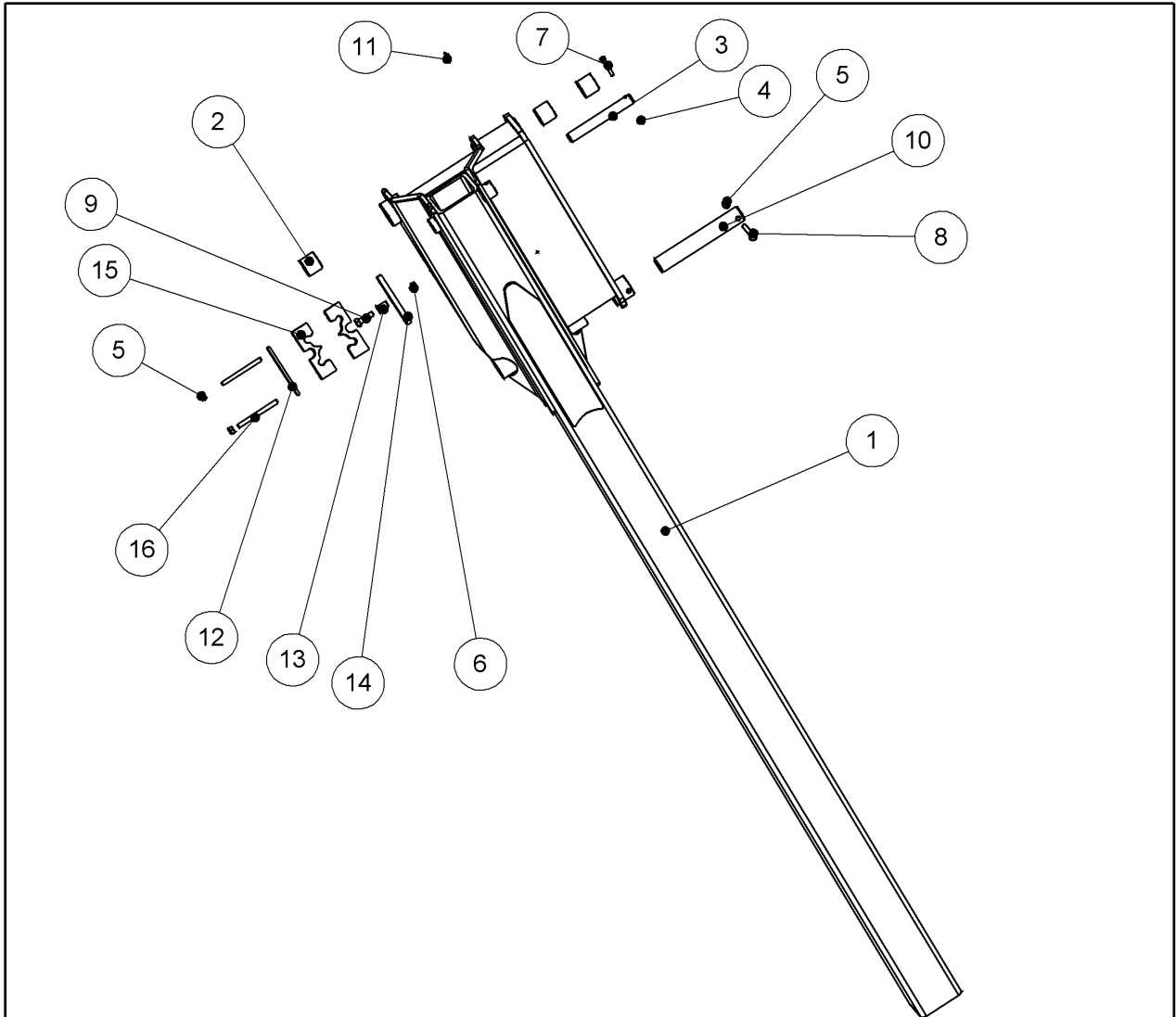
ARM ASSY FIRST RH

76.498.03 REV : A

ITEM NO.	PART NUMBER	DESCRIPTION	QTY.
1	43215.06	ARM - FIRST RH	1
2	43292.37	PIN 40 DIA X 212	1
3	05.291.19	BOLT M10x70	2
4	05.287.02	SELF-LOCKING NUT M10	2
5	05.287.03	SELF-LOCKING NUT M12	1
6	Default	PIN Ø40 -187 LONG	1
7	03.657.24	PIN 50 DIA - 341	1
8	05.292.24	BOLT M12x110	1
9	05.953.01	GREASE NIPPLE M6xStr	3
10	04.282.10	STUDM10x100	4
11	04.282.66	STUD M10x56	2
12	03.068.01	BOLT -SPECIAL	1
13	07.942.01	WASHER - M12 SPECIAL	1
14	05.234.01	WASHER 44.5x13x5 PLATED	1
15	43292.39	PIN 40 DIA X 404 RH	1
16	05.282.03	SPRING WASHER M12	2
17	05.282.02	SPRING WASHER M10	6
18	42691.01	COVER - HOSE	1
19	42701.01	GUARD - HOSE	1
20	42700.01	GUARD - HOSE	1
21	41699.02	CLAMP - HOSE RIGID BOTTOM	2
22	41697.02	CLAMP - HOSE RIGID TOP	2
23	41698.02	CLAMP - HOSE RIGID MIDDLE	2
24	05.281.02	FLAT WASHER M10	4
25	05.286.02	NUT M10	6
26	41614.04	HOSE - 1" BSP RIGID	2
27	41615.04	HOSE - 3/8" BSP RIGID	4
28	41617.04	HOSE - 5/8" BSP RIGID	1
29	05.264.22	SETSCREW M12x25	1
30	06.430.07	CLAMP - HOSE	4
31	06.693.04	CABLE TIE SMALL	1
32	06.963.01	CABLE TIE SMALL	1

ARM ASSY INNER TELE RH

76.491.02 REV : A

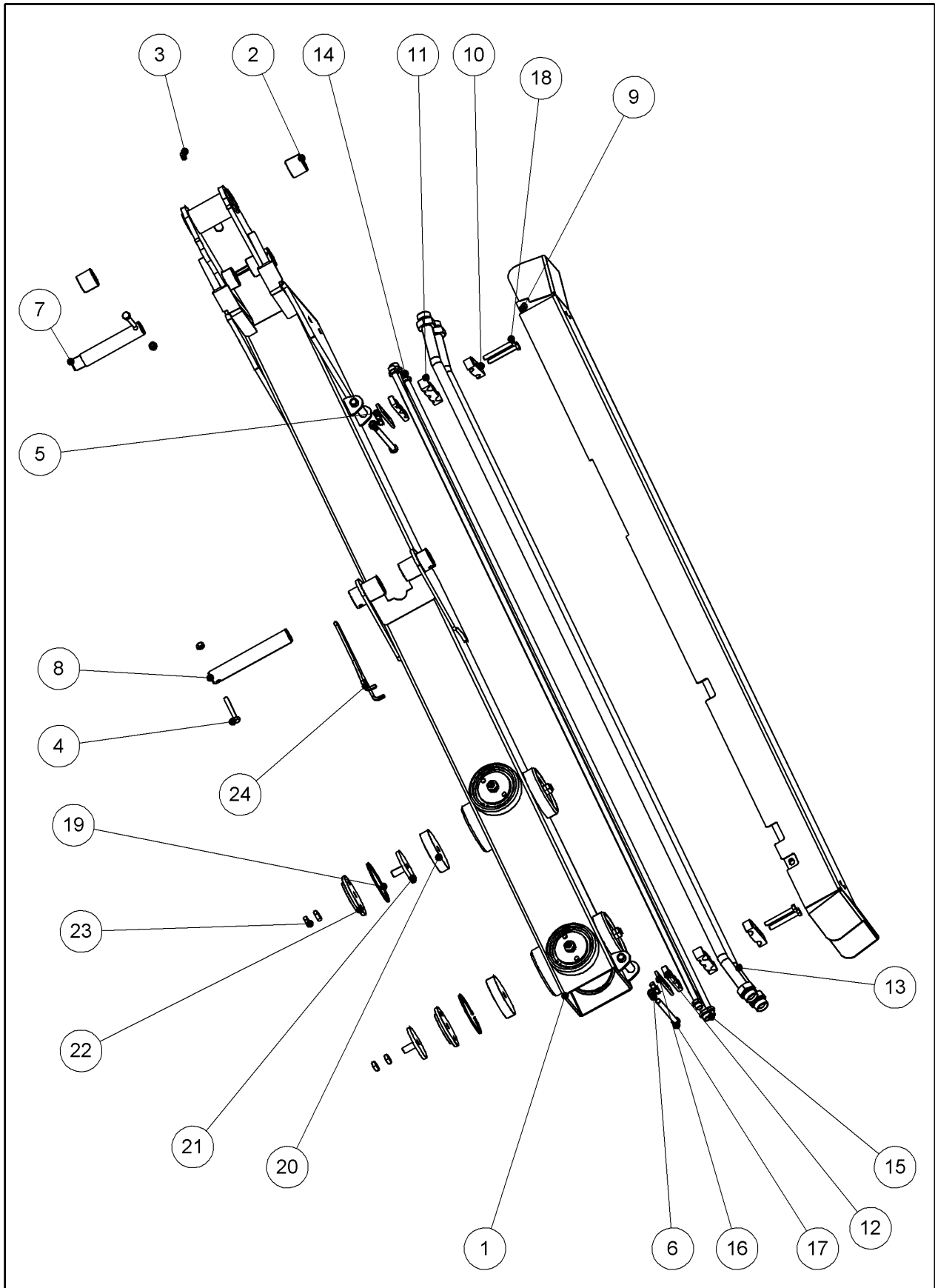


ITEM NO.	PART NUMBER	DESCRIPTION	QTY.
1	42686.06	ARM - INNER RH	1
2	08.297.02	BUSH 47x40x40	3
3	Default	PIN 25 DIA - 186	1
4	05.287.01	SELF-LOCKING NUT M8	1
5	05.287.02	SELF-LOCKING NUT M10	3
6	05.287.03	SELF-LOCKING NUT M12	1
7	05.291.05	BOLT M8x50	1
8	05.291.19	BOLT M10x70	1
9	05.291.23	BOLT M12x40	1
10	Default	PIN Ø40 -246 LONG	1
11	05.953.03	GREASE NIPPLE M10xStr	1
12	43002.02	CLAMP	1
13	43001.01	BUSH	1
14	43002.01	CLAMP	1
15	06.430.23	HOSE CLAMP	2
16	04.282.82	STUD M10 X115	2

This page is intentionally left blank.

ARM ASSEMBLY OUTER RH PISTON

77.235.05 REV : A



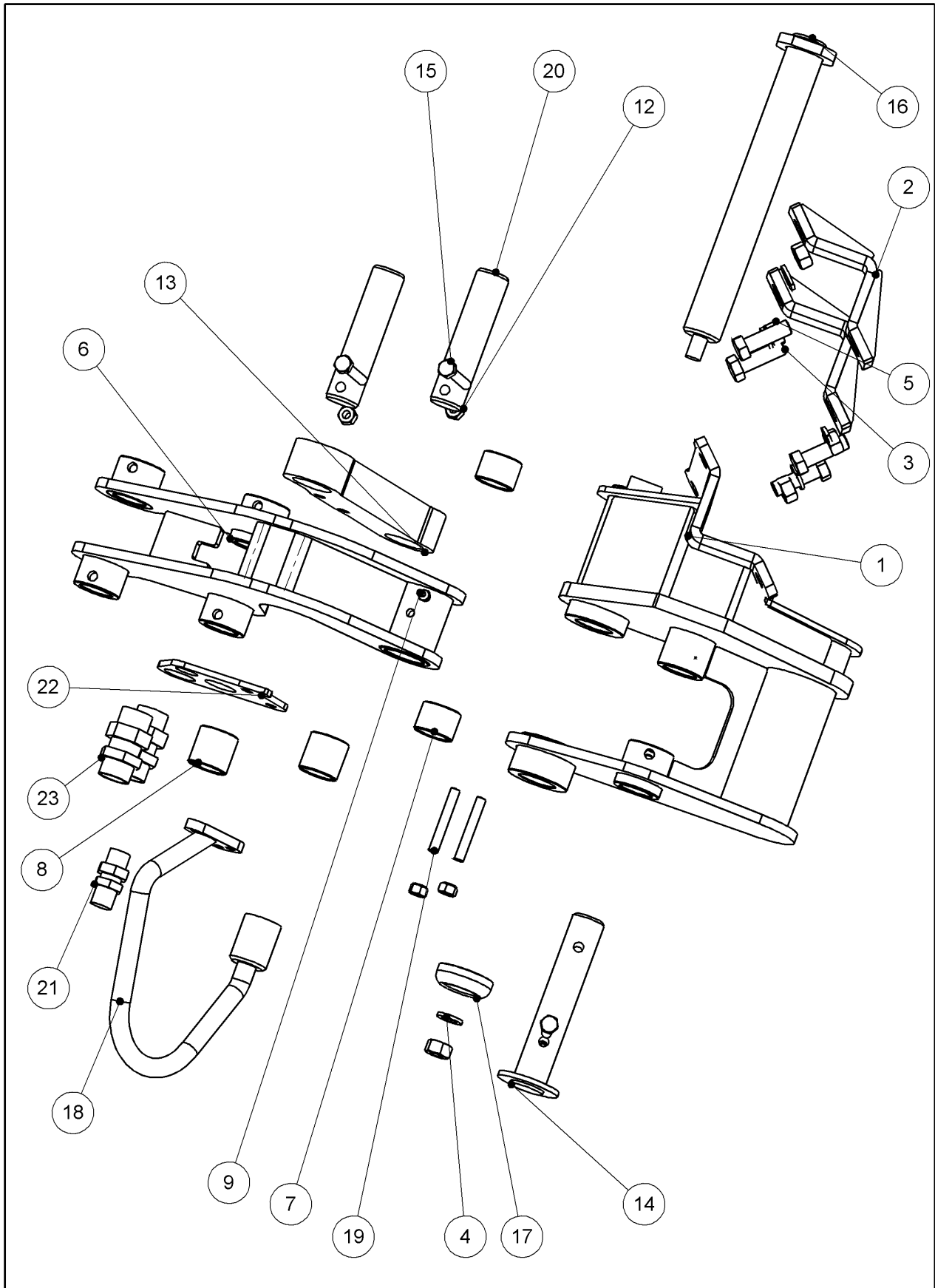
ARM ASSEMBLY OUTER RH PISTON

77.235.05 REV : A

ITEM NO.	PART NUMBER	DESCRIPTION	QTY.
1	46522.02	ARM - OUTER TELE RH	1
2	08.297.02	BUSH 47x40x40	2
3	05.963.04	GREASE NIPPLE M10x90 deg	1
4	05.291.18	BOLT M10x65	2
5	05.287.02	SELF-LOCKING NUT M10	6
6	05.287.03	SELF-LOCKING NUT M12	2
7	03.655.66	PIN 35 DIA X 199	1
8	03.655.64	PIN 35 DIA. x 225	1
9	46756.02	BRACKET - HOSE SUPPORT	1
10	46755.01	CLAMP - HOSE RIGID BOTTOM	2
11	46755.02	CLAMP - HOSE RIGID MIDDLE	2
12	46755.03	CLAMP - HOSE RIGID TOP	2
13	46751.02	HOSE 1" BSP RIGID	2
14	46752.02	HOSE 3/8" BSP RIGID	2
15	46753.02	HOSE 5/8" BSP RIGID	1
16	46758.01	CLAMP	2
17	05.292.27	BOLT M12x140	2
18	05.292.11	BOLT M10x80	4
19	05.959.25	CIRCLIP - 100 DIA INT	8
20	41000.31	WEAR PAD	8
21	41000.01	WEAR PAD SCREW	8
22	41791.31	PLATE	8
23	41000.36	M16 X 2.0 THIN NUT	16
24	46715.01	SPANNER - WEAR PAD	1

COWL BRKT&LINKAGE ASSY RH PISTON

77.108.08 REV : A



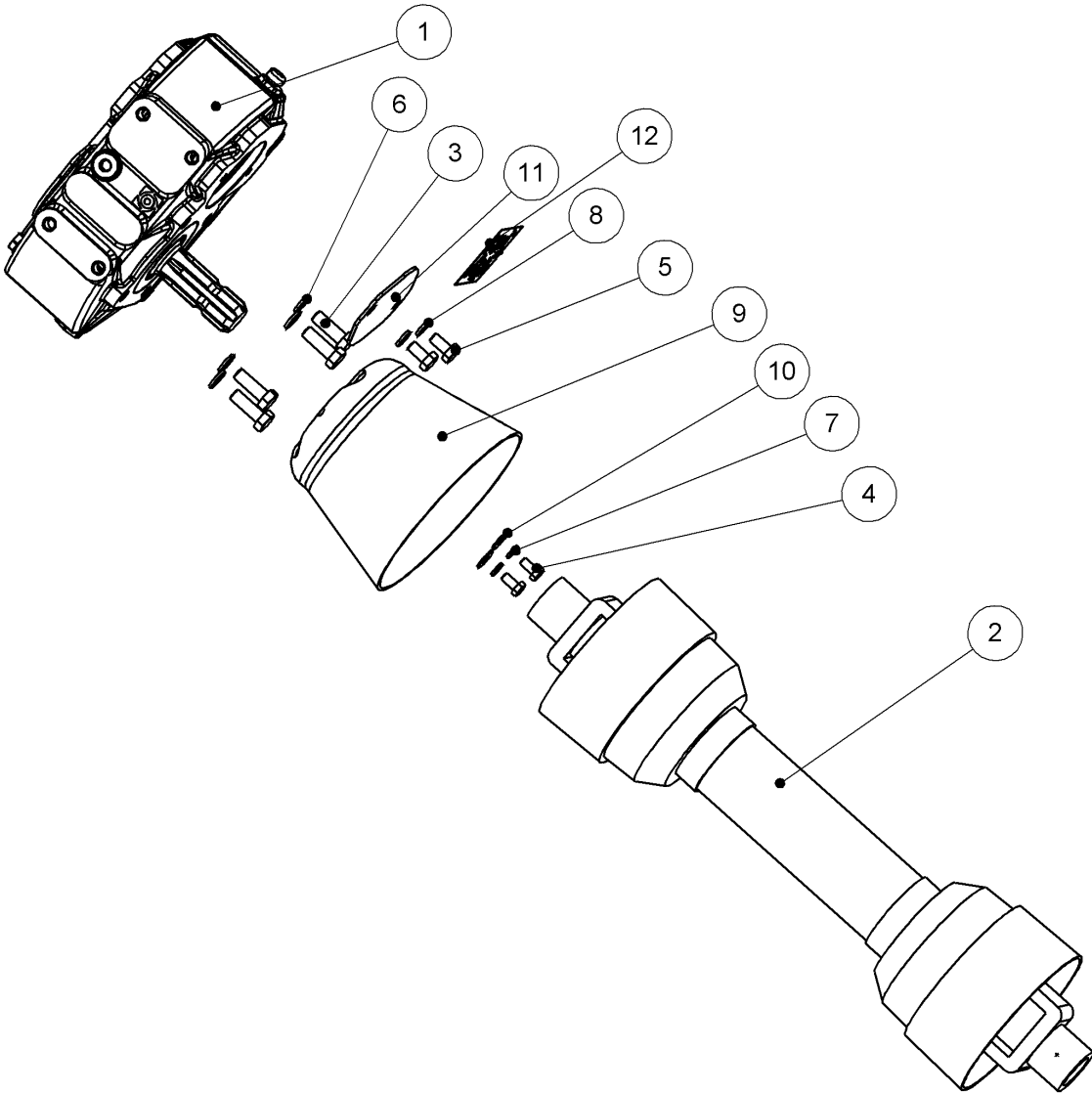
COWL BRKT&LINKAGE ASSY RH PISTON

77.108.08 REV : A

ITEM NO.	PART NUMBER	DESCRIPTION	QTY.
1	45949.02	BRACKET - COWL RH	1
2	45948.01	CLAMP - COWL 70X70	2
3	05.264.37	SETSCREW M16x50	4
4	05.282.04	SPRING WASHER M16	5
5	05.286.04	NUT M16	5
6	46739.01	LINK - COWL	1
7	08.297.05	BUSH 42x35x30	2
8	08.297.18	BUSH 42X35X40	2
9	05.953.03	GREASE NIPPLE M10xStr	1
10	05.953.01	GREASE NIPPLE M6xStr	1
11	05.953.05	GREASE NIPPLE M6x90 deg	1
12	05.287.02	SELF-LOCKING NUT M10	5
13	46741.01	LINK - COWL	1
14	03.655.27	PIN 35 DIA X 184	1
15	05.291.18	BOLT M10x65	3
16	45951.01	PIN - COWL PIVOT 40 DIA	1
17	07.942.03	SPECIAL WASHER - M16	1
18	45954.01	GUARD - BULKHEAD	1
19	04.282.76	STUD M10X70	2
20	03.655.67	PIN 35 DIA X 148	2
21	08.128.16	ADAPTOR 5/8"BSP BULKHEAD	1
22	45491.02	BULKHEAD PLATE 6mm	1
23	08.128.03	BULKHEAD FITTING 1" BSP	2

PTO AND GEARBOX ASSY

77.238.01 REV : A



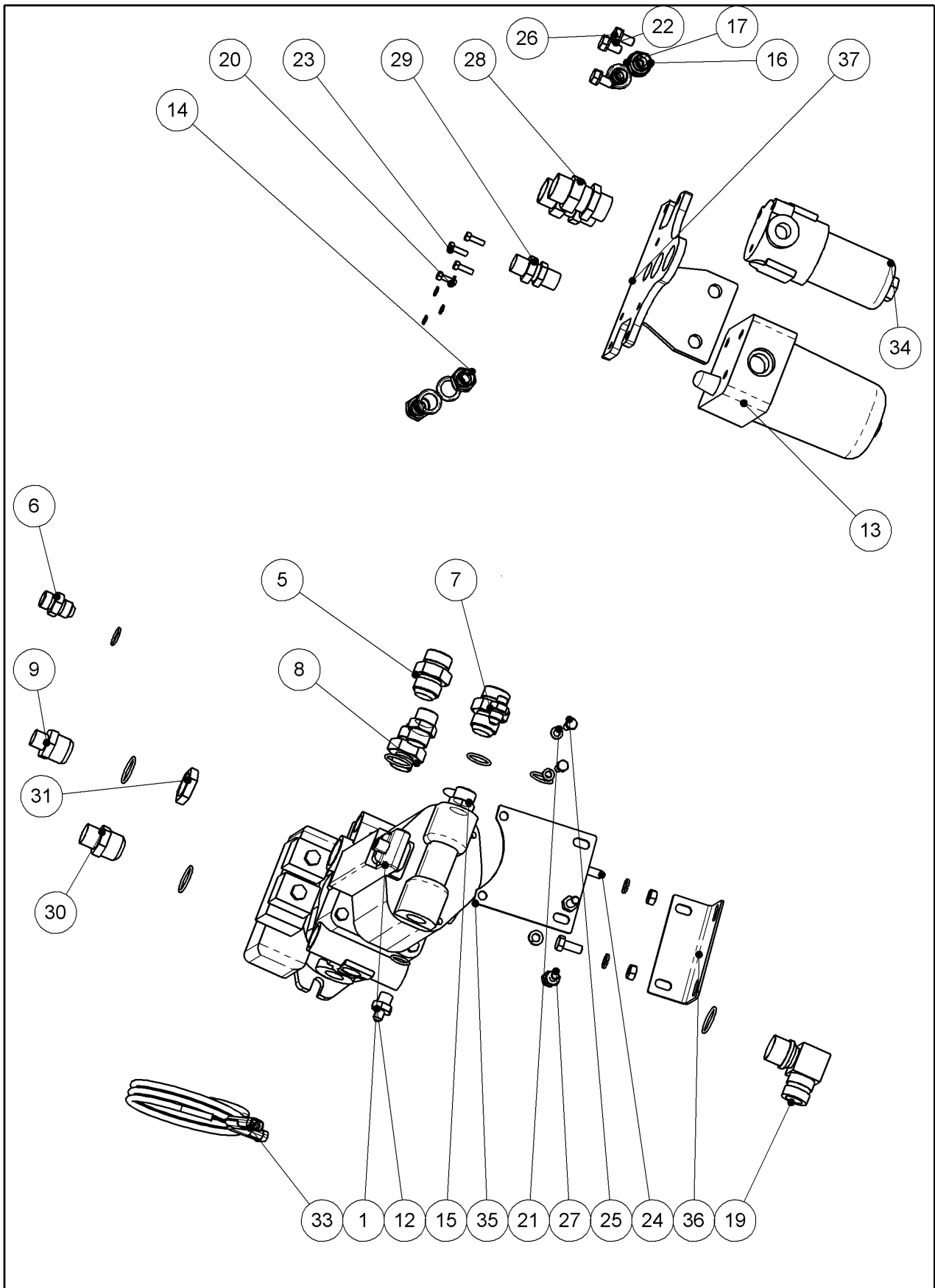
CROSS JOURNAL SET PART NO 43296.31
 PTO GUARD ASSEMBLY PART NO 43296.32

ITEM NO.	PART NUMBER	DESCRIPTION	QTY.
1	47487.01	BIMA REG GBOX	1
2	43296.06	PTO SHAFT V60	1
3	05.264.24	SETSCREW M12x35	4
4	05.839.03	SETSCREW M8X16	2
5	05.264.11	SETSCREW M10x20	2
6	05.282.03	SPRING WASHER M12	4
7	05.282.01	SPRING WASHER M8	2
8	05.282.02	SPRING WASHER M10	2
9	08.548.01	GUARD - PLASTIC PTO	1
10	05.281.01	FLAT WASHER M8	2
11	04.182.01	PLATE 3	1
12	46749.02	BIMA GBOX DECAL	1

This page is intentionally left blank.

PUMP ASSY PISTON

77.080.02 REV : A



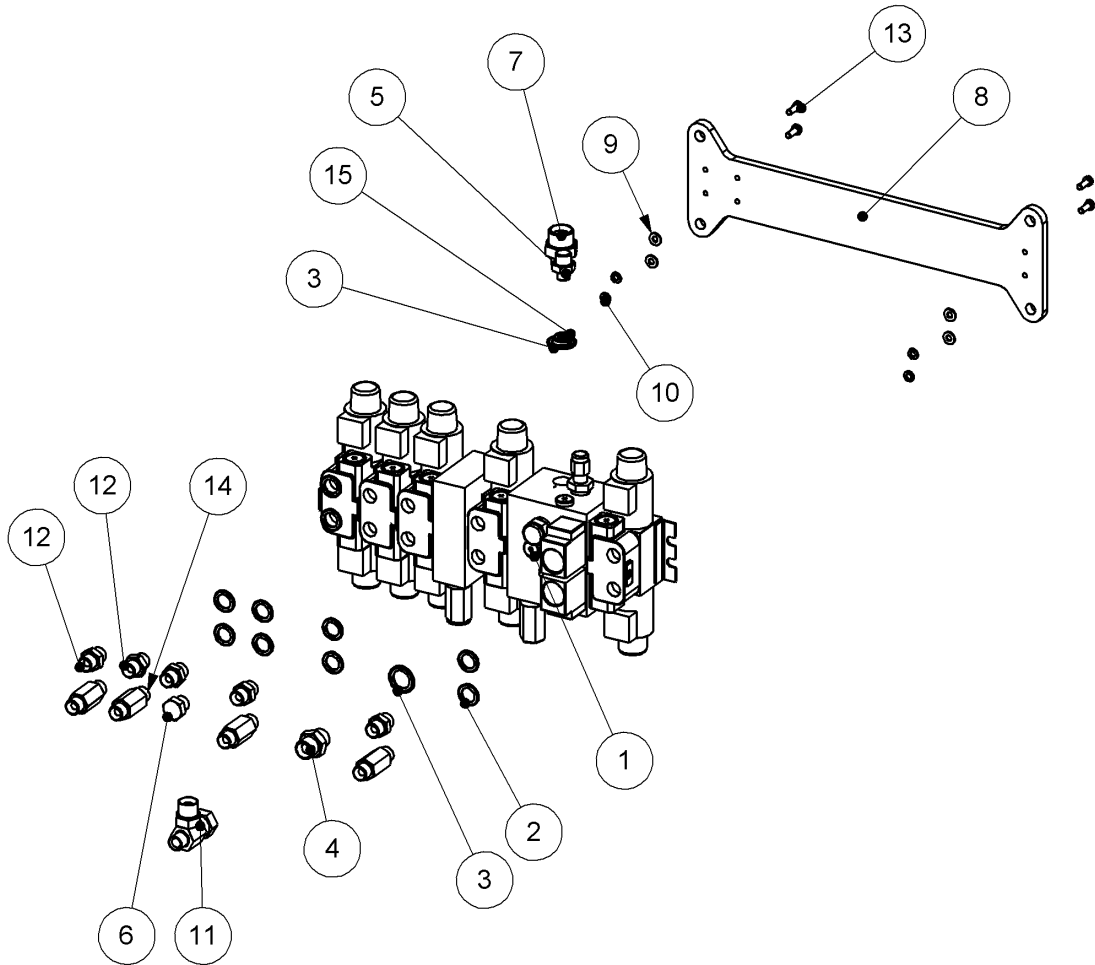
PUMP ASSY PISTON

77.080.02 REV : A

ITEM NO.	PART NUMBER	DESCRIPTION	QTY.
1	46549.01	TANDEM PISTON PUMP ASSY	1
2	8600916	O RING	5
3	8600910	O RING	1
4	8600912	O RING GASKET 1/1/16"	1
5	08.955.25	ADAPTOR 1"BSPx3/4-16"JIC	2
6	08.955.13	ADAPTOR 1/2"BSPx7/8"-14JIC	1
7	08.955.06	ADAPTOR 3/8"BSPx9/16"-18"JIC	1
8	08.955.24	ADAPTOR 1"BSPx1.1/16"-12JIC	1
9	8581321	ADAPTOR	1
10	8600906	O RING GASKET 9/16"	1
11	8600904	O RING GASKET 7/16"	1
12	08.955.47	ADAPTER 3/8" BSP X 7/16" JIC	1
13	42281.01	PARKER FILTER	1
14	05.122.01	ADAPTOR 1/2"BSPx1/2"BSP	2
15	05.377.01	ADAPTOR 3/4"BSPx3/4"BSP	2
16	05.123.01	ADAPTOR 3/8"BSPx1/2"BSP	2
17	05.290.05	BONDED SEAL 1/2" BSP	4
18	05.290.06	BONDED SEAL 3/4" BSP	3
19	8581335	ADAPTOR-90 ELBOW MM	1
20	05.282.07	SPRING WASHER M6	4
21	05.282.01	SPRING WASHER M8	2
22	05.282.02	SPRING WASHER M10	7
23	30.068.83	SETSCREW M6 X 20MM	4
24	05.264.12	SETSCREW M10x25	4
25	05.264.01	SETSCREW M8x20	2
26	05.264.11	SETSCREW M10x20	3
27	05.286.02	NUT M10	4
28	08.128.03	BULKHEAD FITTING 1" BSP	2
29	08.128.16	ADAPTOR 5/8"BSP BULKHEAD	1
30	8581192	UNION 3/4"BSP X 1 5/16" JIC	1
31	7550047	LOCKNUT 1.5/16" X 12 UNF (THIN)	1
32	8600920	O RING GASKET 1.5/8"	1
33	42494.02	CABLE ASSY EATON/DCU	1
34	47563.01	MP FILTER	1
35	46615.01	PLATE - PUMP MTG	1
36	46616.01	BRACKET - PUMP MTG	1
37	46575.02	FILTER MTG PLATE	1

DMV VALVE SCHEDULE

77.261.08 REV : A

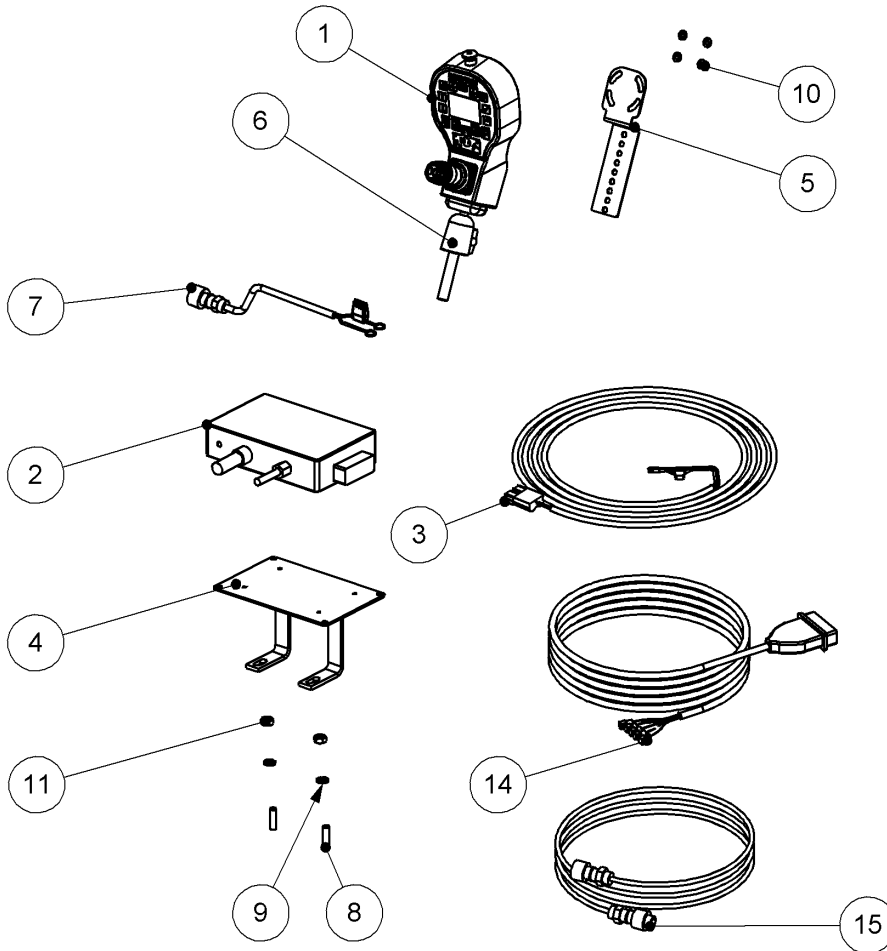


* 46622.21 - SEAL KIT FOR DMV VALVES

ITEM NO.	PART NUMBER	DESCRIPTION	QTY.
1	46622.32	VALVE ASSEMBLY	1
2	05.290.04	BONDED SEAL 3/8" BSP	10
3	05.290.05	BONDED SEAL 1/2" BSP	2
4	05.122.01	ADAPTOR 1/2"BSPx1/2"BSP	1
5	01.099.01	ADAPTOR 1/4"BSPx3/8"BSP	1
6	05.433.01	PLUG 3/8"BSP	1
7	05.376.01	ADAPTOR 1/2"BSPx3/4"BSP	1
8	46625.01	PLATE - VALVE MOUNTING	1
9	05.281.10	FLAT WASHER M6	4
10	05.282.07	SPRING WASHER M6	4
11	04.056.50	ADAPTOR - TEE 1/2M-3/8M-1/2F	1
12	05.124.01	ADAPTOR 3/8"BSPx3/8"BSP	5
13	05.839.05	SETSCREW M6 X 16	4
14	05.819.01	ADAPTOR 3/8"BSPx3/8"BSP	4
15	05.290.02	BONDED SEAL 1/4" BSP	1

RCA ECU ASSY ICS BASIC

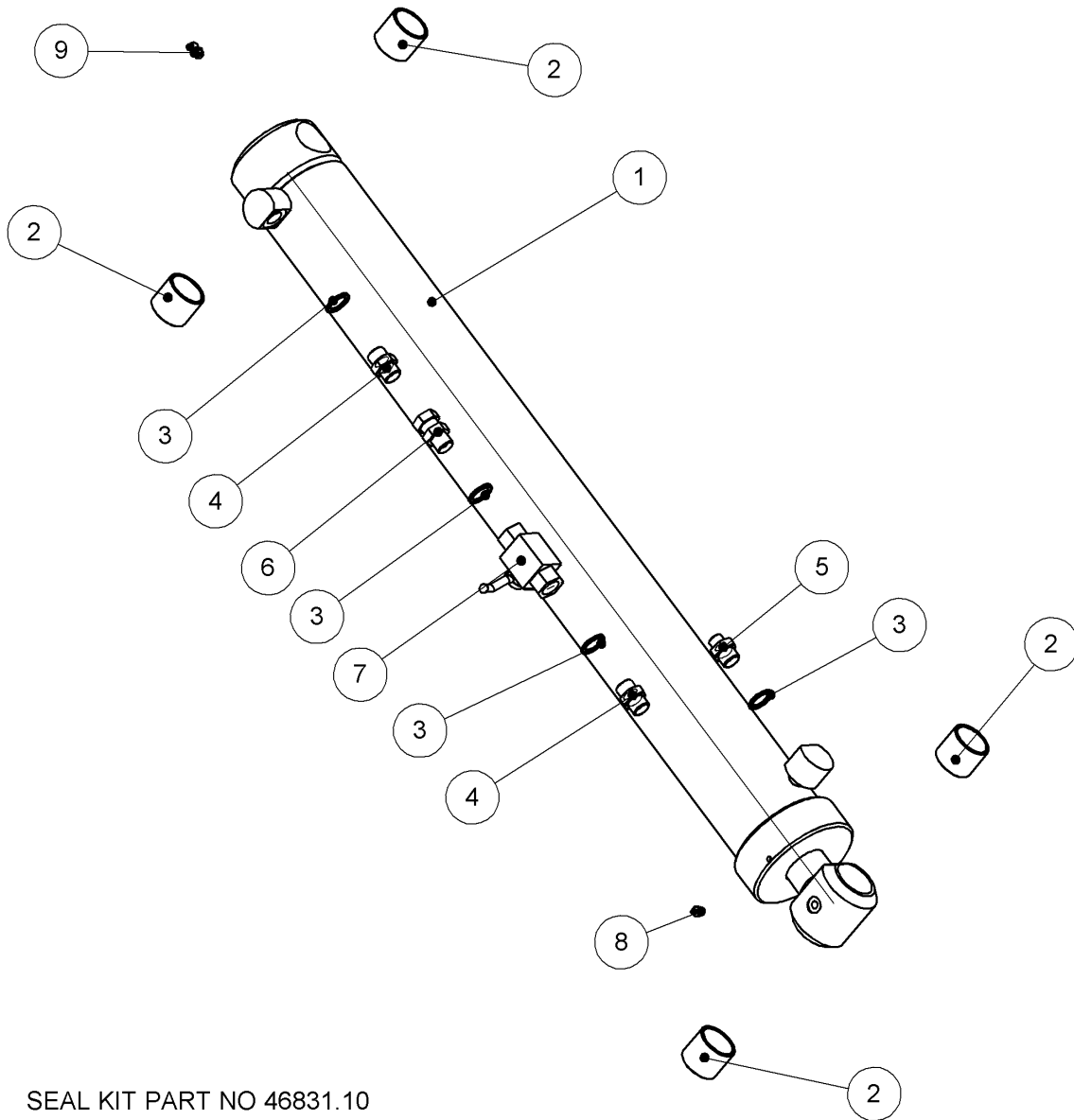
77.285.01 REV : A



ITEM NO.	PART NUMBER	DESCRIPTION	QTY.
1	46728.01	ICS CONTROL BOX	1
2	46795.01	ICS ECU BOX	1
3	46796.02	POWER LOOM	1
4	46800.01	ICS ECU BRACKET	1
5	46873.01	MOUNTING PLATE	1
6	46679.01	ARM REST CLAMP	1
7	43034.03	BLADE FUSE 30AMP	0
8	03.100.01	STUD M10x34	2
9	05.282.02	SPRING WASHER M10	2
10	05.281.10	FLAT WASHER M6	4
11	05.286.02	NUT M10	2
12	07.835.02	GASKET FOR HIRSCHMAN CONNECTOR	13
13	07.835.03	SCREW FOR HIRSCHMAN CONNECTOR	13
14	46797.01	VALVE SOLENOID WIRING LOOM	1
15	46817.01	CAN LOOM	1

RAM CIRCUIT - FIRST

76.505.04 REV : A

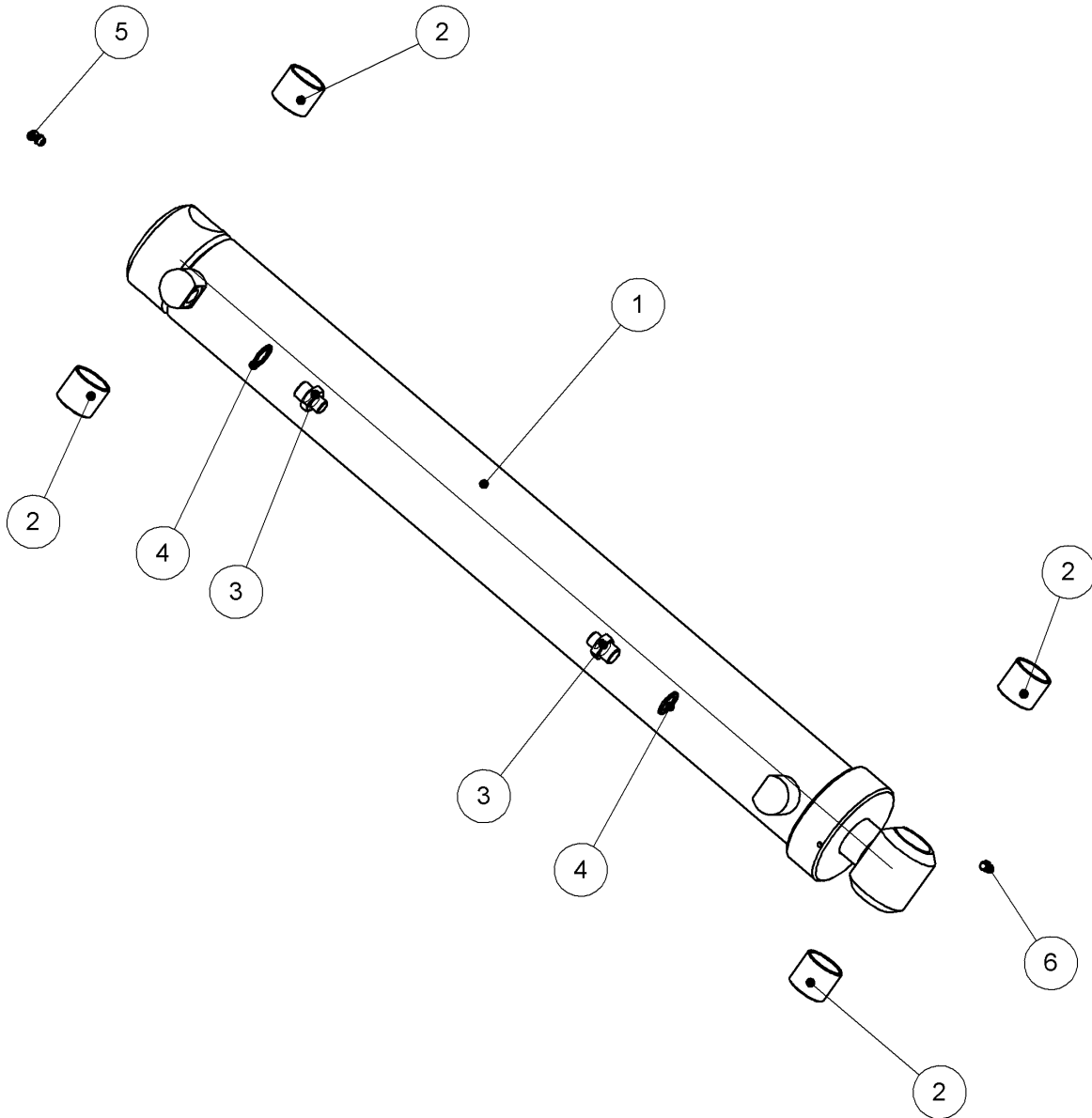


SEAL KIT PART NO 46831.10

ITEM NO.	PART NUMBER	DESCRIPTION	QTY.
1	46831.02	RAM ASSY D/A 100 BORE X 900 STK	1
2	08.297.02	BUSH 47x40x40	4
3	05.290.05	BONDED SEAL 1/2" BSP	4
4	05.122.01	ADAPTOR 1/2"BSPx1/2"BSP	2
5	05.123.01	ADAPTOR 3/8"BSPx1/2"BSP	1
6	02.714.04	ADAPTOR - SWIVEL	1
7	08.200.03	VALVE - ISOLATING 1/2"BSP	1
8	05.953.03	GREASE NIPPLE M10xStr	1
9	05.953.04	GREASE NIPPLE M10x90 deg	1

RAM CIRCUIT - SECOND

76.504.03 REV : A

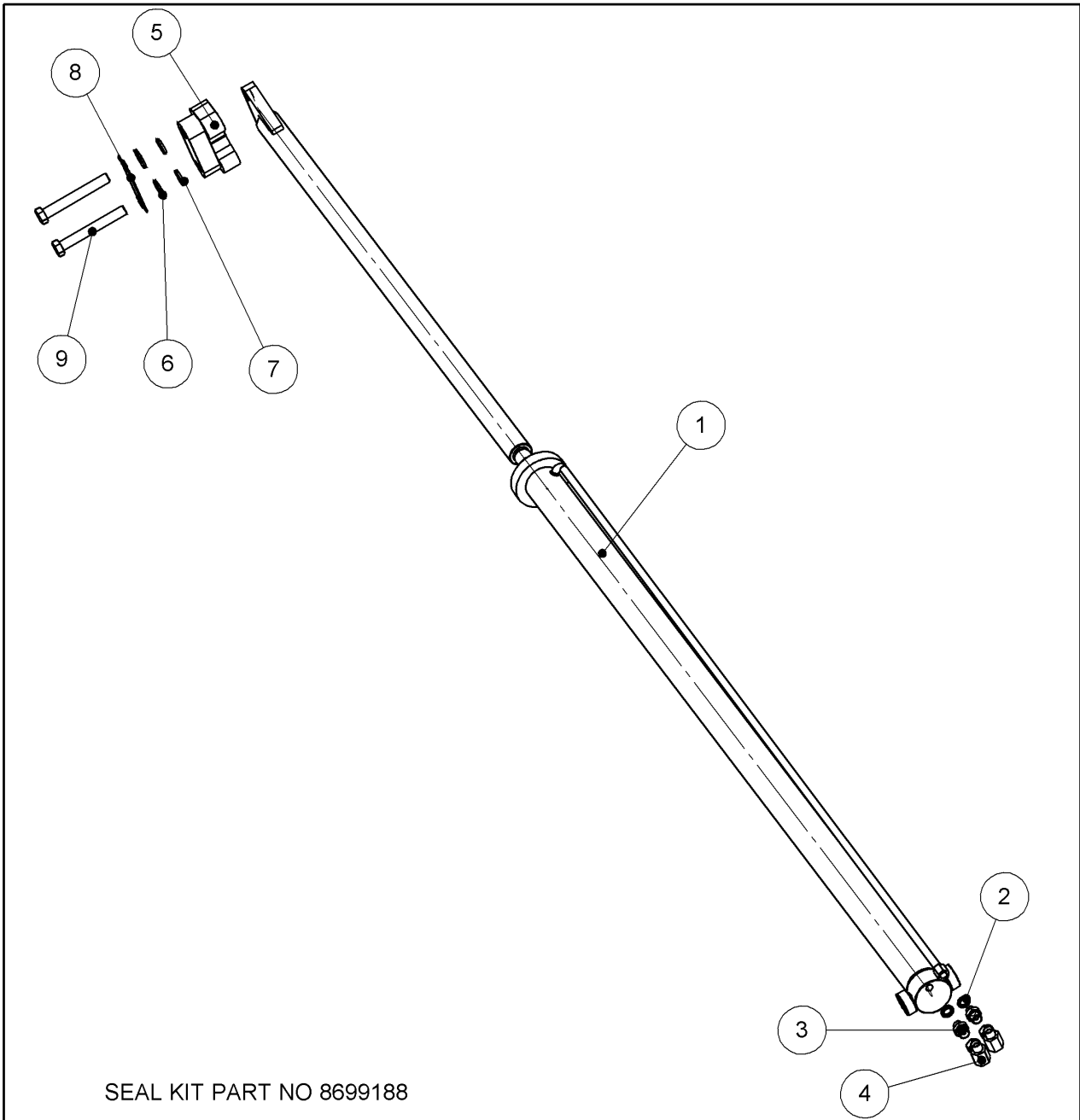


SEAL KIT PART NO 46831.10

ITEM NO.	PART NUMBER	DESCRIPTION	QTY.
1	46831.01	RAM ASSY D/A 100 BORE X 900 STK	1
2	08.297.02	BUSH 47x40x40	4
3	05.123.01	ADAPTOR 3/8"BSPx1/2"BSP	2
4	05.290.05	BONDED SEAL 1/2" BSP	2
5	05.953.04	GREASE NIPPLE M10x90 deg	1
6	05.953.03	GREASE NIPPLE M10xStr	1

RAM ASSY - TELE

76.492.01 REV : B

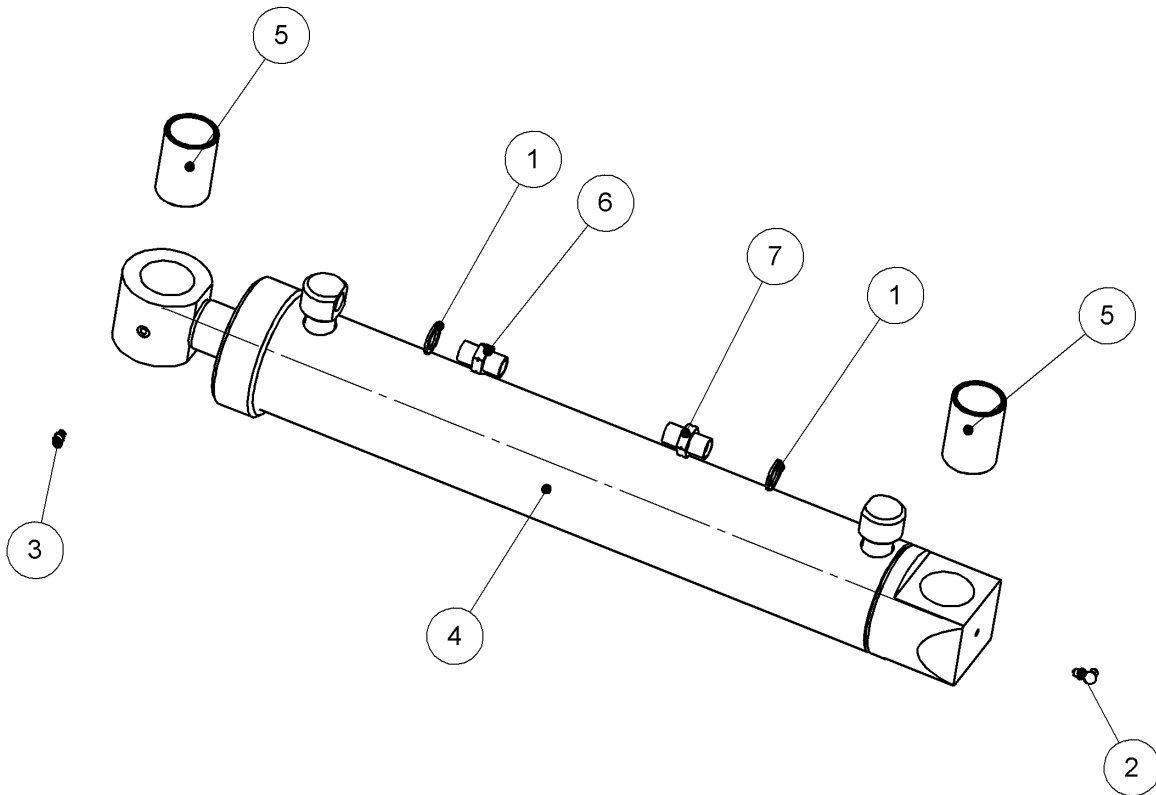


SEAL KIT PART NO 8699188

ITEM NO.	PART NUMBER	DESCRIPTION	QTY.
1	09.987.06	RAM ASSY 50 BORE X 1300 STK	1
2	05.290.02	BONDED SEAL 1/4" BSP	2
3	01.099.01	ADAPTOR 1/4"BSPx3/8"BSP	2
4	05.835.01	90 ADAPTOR M/F SWIVEL	2
5	41823.01	SPACER - RAM MOUNTING	1
6	05.281.04	FLAT WASHER M16	2
7	05.282.04	SPRING WASHER M16	2
8	46697.32	PLATE	1
9	05.839.38	BOLT	2

RAM ASSY COWL MIDMOUNT

77.113.03 REV : A

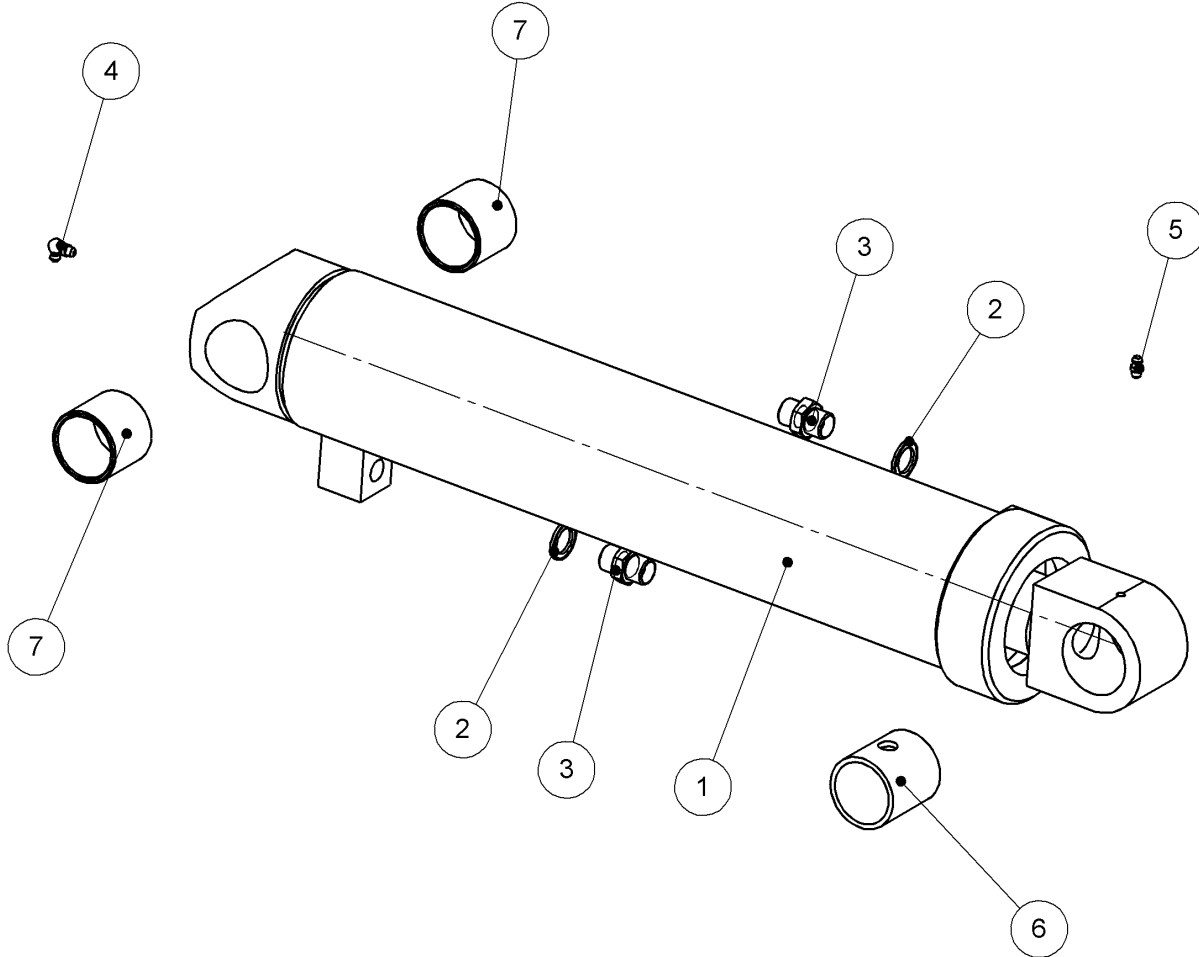


SEAL KIT PART NO 46002.25

ITEM NO.	PART NUMBER	DESCRIPTION	Default/QTY.
1	05.290.04	BONDED SEAL 3/8" BSP	2
2	05.953.05	GREASE NIPPLE M6x90 deg	1
3	05.953.01	GREASE NIPPLE M6xStr	1
4	46002.05	RAM ASSY D/A 80 BORE X 430 STK	1
5	08.297.08	BUSH 42x35x60	2
6	46518.15	RESTRICTOR	1
7	46518.01	RESTRICTOR	1

RAM ASSY SLEW MIDMOUNT

77.250.01 REV : A

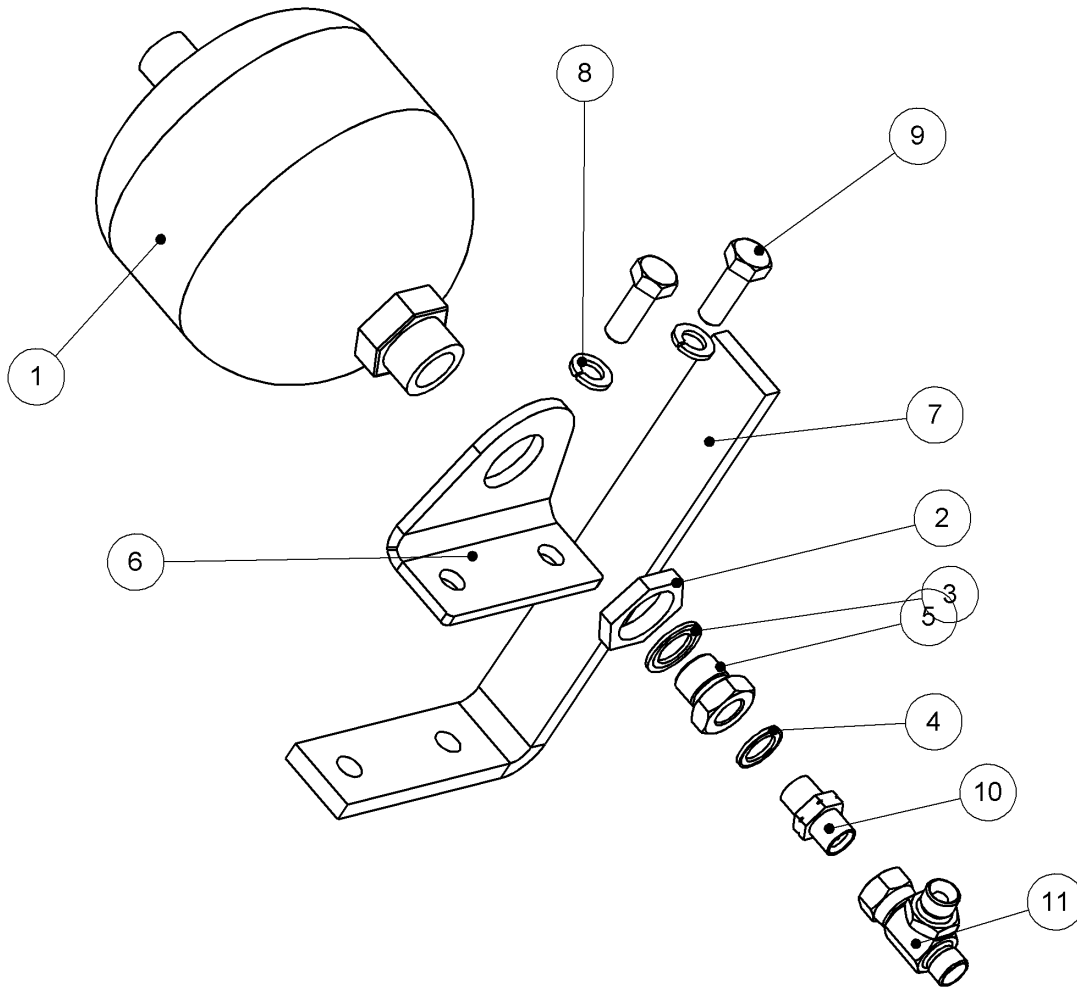


SEAL KIT PART NO 46611.25

ITEM NO.	PART NUMBER	DESCRIPTION	QTY.
1	46611.01	RAM ASSY D/A 90 BORE X 410 STK	1
2	05.290.04	BONDED SEAL 3/8" BSP	2
3	05.124.01	ADAPTOR 3/8"BSPx3/8"BSP	2
4	05.953.05	GREASE NIPPLE M6x90 deg	1
5	05.953.01	GREASE NIPPLE M6xStr	1
6	08.297.16	BUSH PLASTIC - 47 X 40 - 50	1
7	08.297.02	BUSH 47x40x40	2

ACCUMULATOR - SLEW

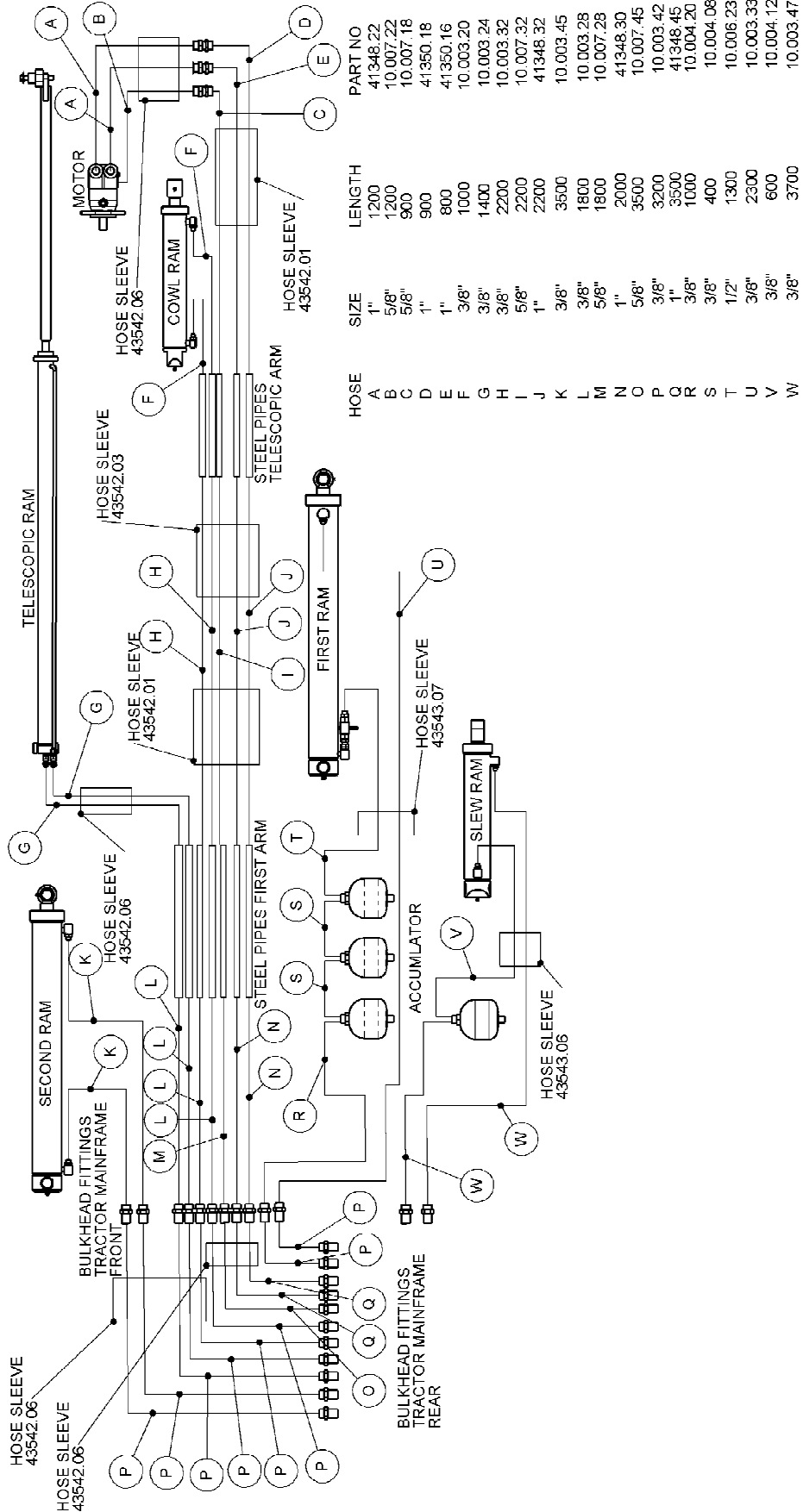
77.255.01 REV : A



ITEM NO.	PART NUMBER	DESCRIPTION	QTY.
1	8126043	ACCUMULATOR 1.4LT - 90 BAR	1
2	8126035	NUT	1
3	8650322	BONDED SEAL 1/2" BSP	1
4	05.290.04	BONDED SEAL 3/8" BSP	1
5	8581284	ADAPTOR - M22X3/8BSP MF	1
6	46590.01	PLATE - ACCUMULATOR MTG	1
7	46602.01	PLATE - HOSE SUPPORT	1
8	05.282.03	SPRING WASHER M12	2
9	05.264.24	SETSCREW M12x35	2
10	46518.01	RESTRICTOR	1
11	11.068.69	ADAPTOR TEE 3/8BSP MFM	1

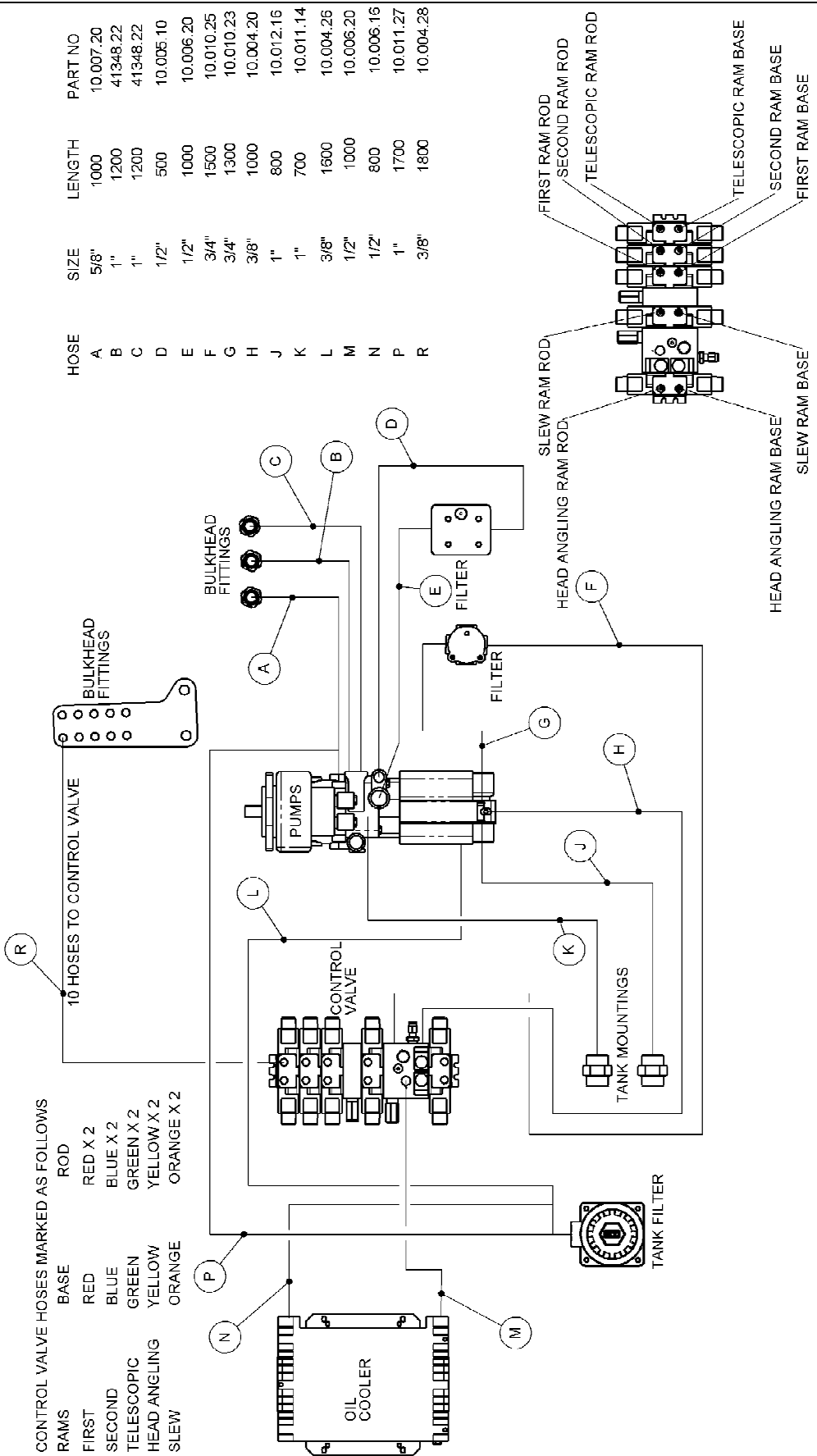
HOSE SERV KIT MIDMOUNT

77.257.01 REV: A



HOSE SERV KIT MIDMOUNT

77.257.01 REV: A



CONTROL VALVE HOSES MARKED AS FOLLOWS

RAMS	BASE	ROD
FIRST	RED	RED X 2
SECOND	BLUE	BLUE X 2
TELESCOPIC	GREEN	GREEN X 2
HEAD ANGLING	YELLOW	YELLOW X 2
SLEW	ORANGE	ORANGE X 2

HOSE	SIZE	LENGTH	PART NO
A	5/8"	1000	10.007.20
B	1"	1200	41348.22
C	1"	1200	41348.22
D	1/2"	500	10.006.10
E	1/2"	1000	10.006.20
F	3/4"	1500	10.010.25
G	3/4"	1300	10.010.23
H	3/8"	1000	10.004.20
J	1"	800	10.012.16
K	1"	700	10.011.14
L	3/8"	1600	10.004.26
M	1/2"	1000	10.006.20
N	1/2"	800	10.006.16
P	1"	1700	10.011.27
R	3/8"	1800	10.004.28

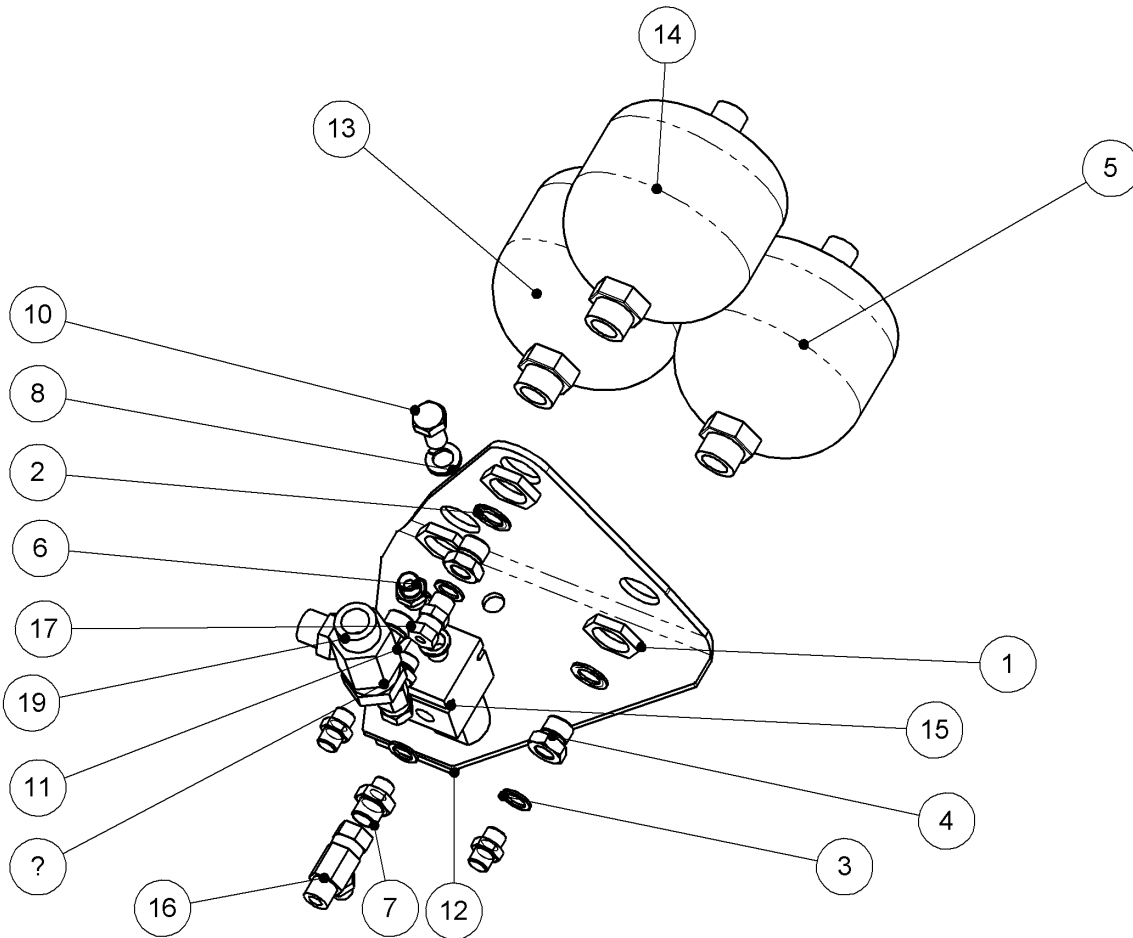
DECALS - ENGINEERING

77.138.01 REV : A

ITEM NO.	PART NUMBER	DESCRIPTION	QTY.
1	08.632.01	DECAL - TRANSPORT	1
2	09.811.04	DECAL - 540 MAX ACW	1
3	09.821.28	DECALS - EURO DECAL MINIATURISED	1
4	09.821.32	DECALS - EURO DECAL MINIATURISED	1
5	09.821.33	DECALS - EURO DECAL MINIATURISED	1
6	09.821.34	09.821.34	1
7	09.843.06	DECAL - LIFT POINT 1500 KG	1
8	09.845.01	DECAL - APPROVED OILS	1
9	09.846.02	DECAL - OIL FILTER CHANGE	1
10	46.681.01	DECAL - LEG POSITION WHEN PARKED	1

ACCUMULATOR CIRCUIT FIRST RAM

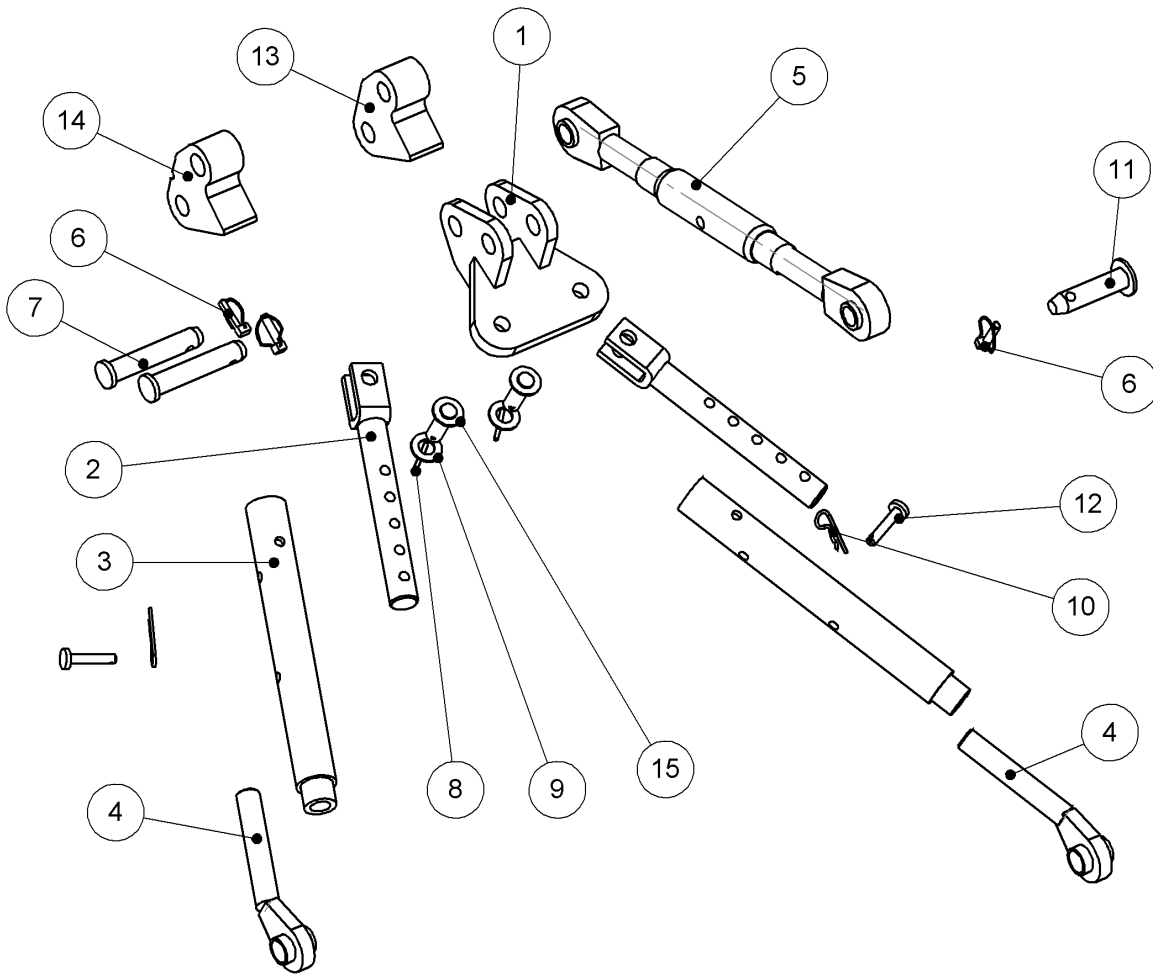
77.256.01 REV : A



ITEM NO.	PART NUMBER	DESCRIPTION	QTY.
1	8126035	NUT	3
2	8650322	BONDED SEAL 1/2" BSP	3
3	05.290.04	BONDED SEAL 3/8" BSP	5
4	8581284	ADAPTOR - M22X3/8BSP MF	3
5	8126043	ACCUMULATOR 1.4LT - 90 BAR	1
6	05.124.01	ADAPTOR 3/8"BSPx3/8"BSP	3
7	05.123.01	ADAPTOR 3/8"BSPx1/2"BSP	1
8	05.282.04	SPRING WASHER M16	1
9	05.282.05	SPRING WASHER M20	1
10	05.264.33	SETSCREW M16x30	1
11	05.264.36	SETSCREW M16x45	1
12	46591.02	BRACKET - ACCUMULATOR 3	1
13	41715.01	ACCUMULATOR - 1.4 (40 BAR)	1
14	41715.02	ACCUMULATOR - 1.4LT (20 BAR)	1
15	08.619.09	VALVE - MODULAR	1
16	04.056.40	TEE ADAPTOR FMM	1
17	02.714.01	ADAPTOR - SWIVEL	1
18	11.068.69	ADAPTOR TEE 3/8BSP MFM	1
19	04.056.26	TEE ADAPTOR FMM	1

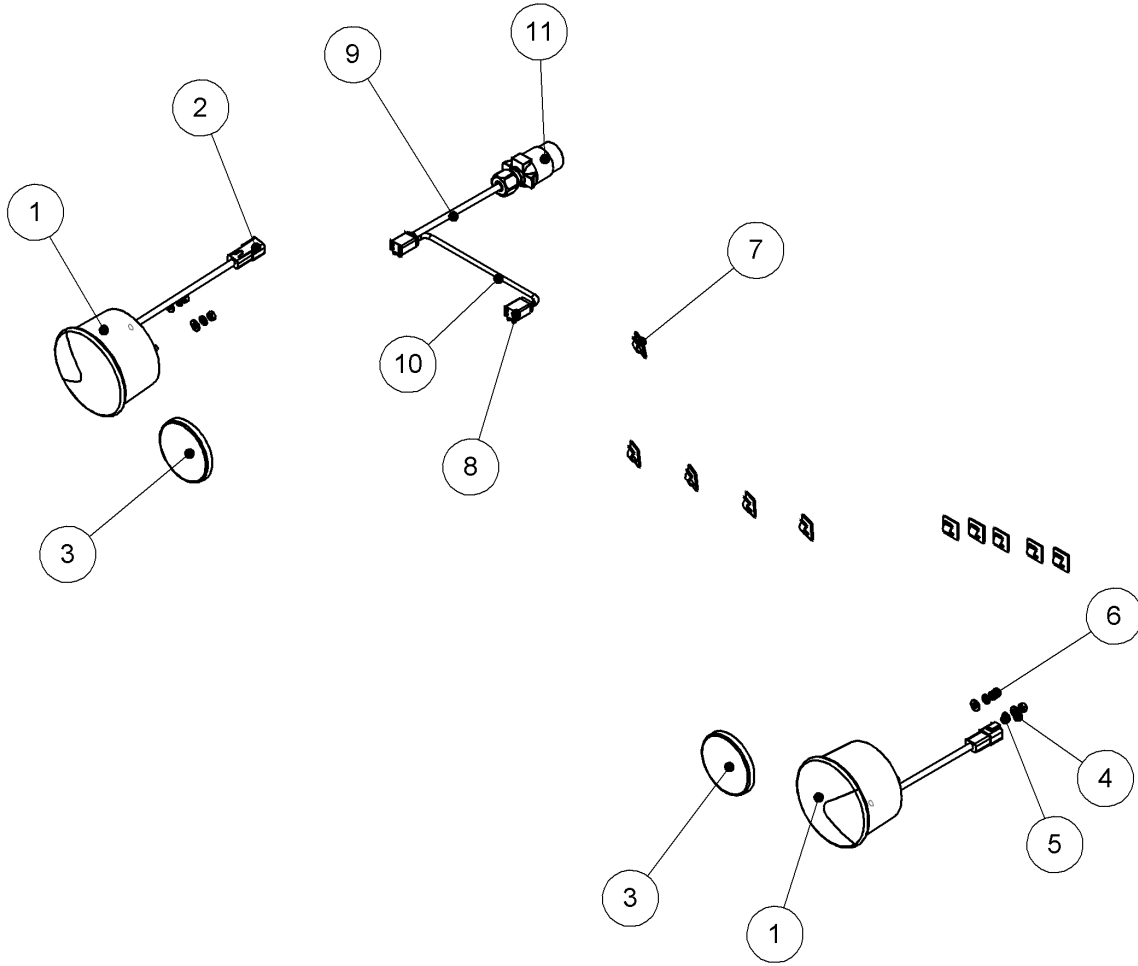
THREE POINT LINKAGE KIT

76.458.02 REV : A



ITEM NO.	PART NUMBER	DESCRIPTION	QTY.
1	42276.01	BRACKET	1
2	42317.01	ROD INNER	2
3	42316.01	TUBE OUTER	2
4	07.731.01	BALL END	2
5	07.584.02	TOP LINK	1
6	00.372.01	LINCH PIN	3
7	03.873.01	PIN 1" DIA TOP LINK	2
8	05.201.11	TENSION PIN Ø5x45	2
9	05.281.05	FLAT WASHER M20	2
10	05.964.01	SPRING COTTER	2
11	42250.01	PIN - TOP LINK	1
12	42315.01	PIN	2
13	43367.01	PLATE - CAT 2	1
14	43368.01	PLATE 28 DIA PIN	1
15	03.652.12	PIN 20 DIA X 65	2

LIGHT KIT RH
77.134.02 REV : A

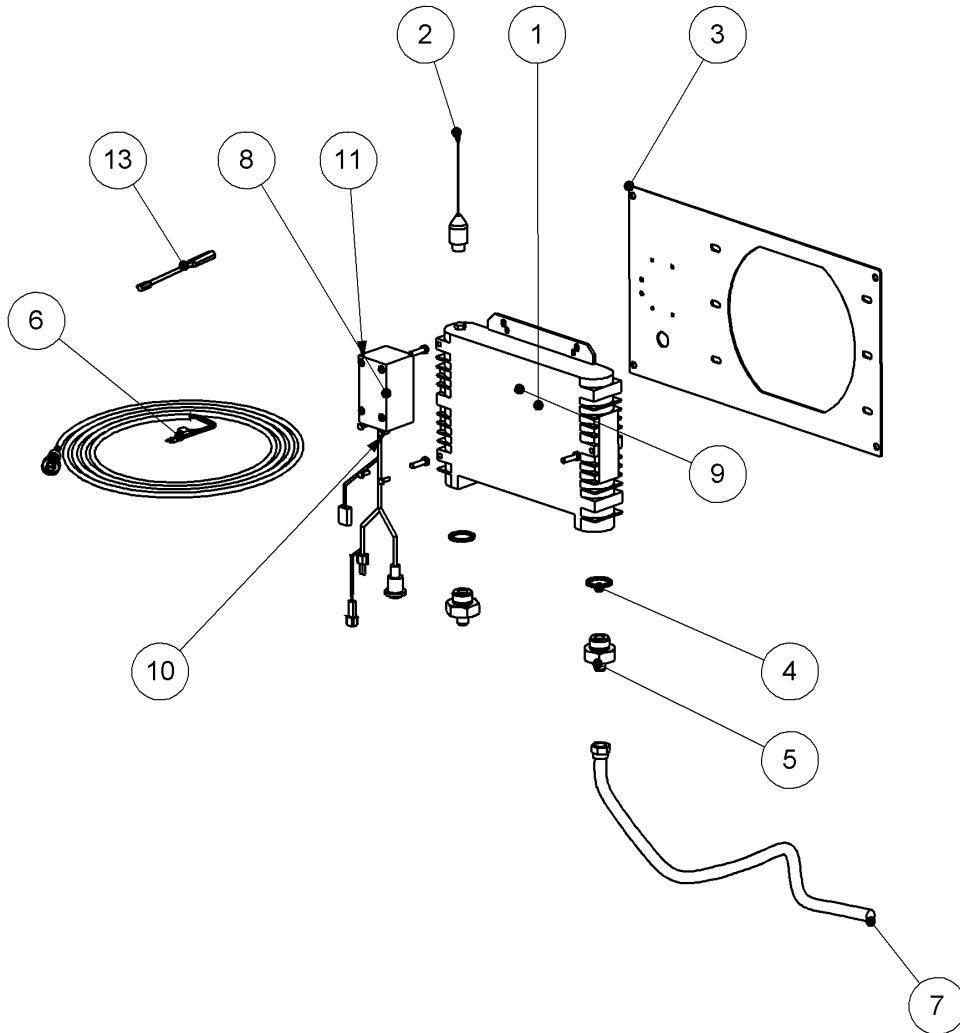


LIGHTING KIT COMPLETE - PART NO 45662.04

ITEM NO.	PART NUMBER	DESCRIPTION	QTY.
1	45326.31	INDICATOR/BRAKE LIGHT	2
2	45326.32	DEUTSCH CONNECTOR DT04-4P	2
3	45661.03	REFLECTOR SELF ADHESIVE	2
4	05.281.10	FLAT WASHER M6	4
5	05.282.07	SPRING WASHER M6	4
6	05.286.10	NUT M6	4
7	43357.01	CLIP (SELF ADHESIVE PAD)	10
8	45594.31	DEUTSCH DT06-4S	2
9	45594.32	7 CORE CABLE	1
10	45594.34	7 CORE CABLE - 800MM	1
11	7560089	7 PIN PLUG	1

OIL COOLER ASSY DCU ICS ONLY

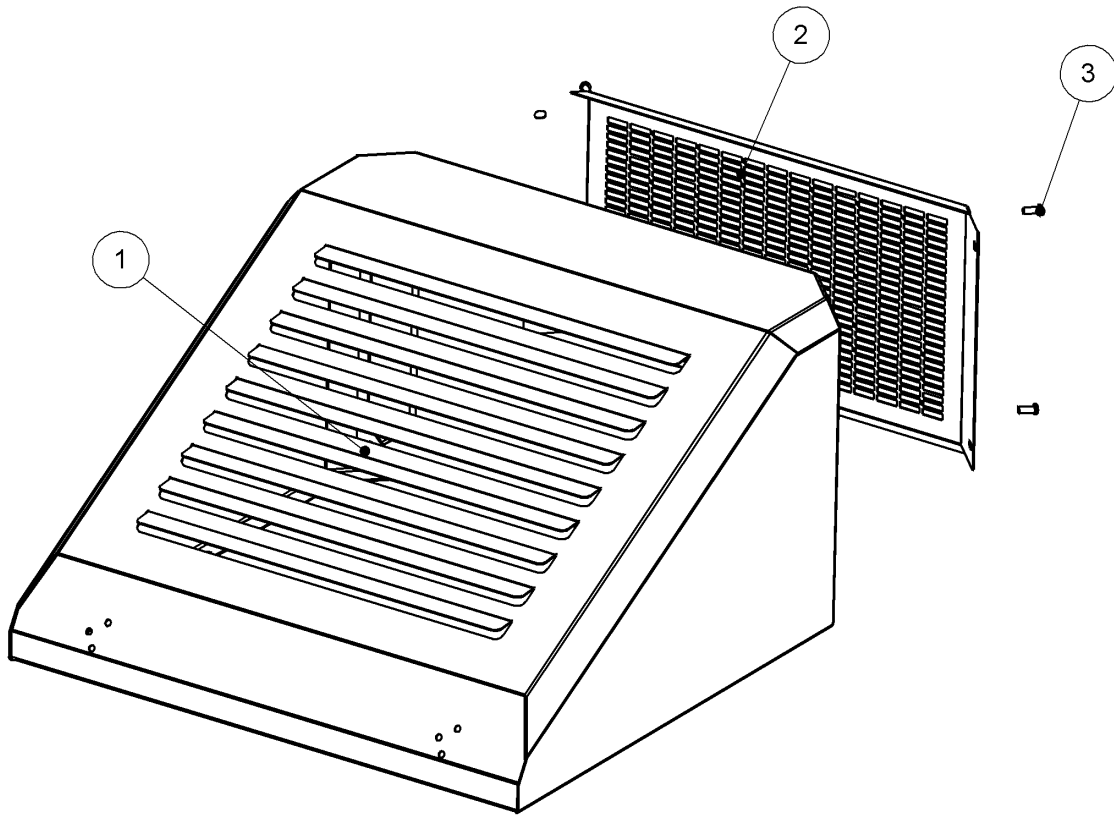
77.146.13 REV : A



ITEM NO.	PART NUMBER	DESCRIPTION	QTY.
1	47313.02	ASAHYDRAULIC ECO7	1
2	47313.03	THERMOSTAT	1
3	47379.01	MTG PLATE 3MM	1
4	05.290.07	BONDED SEAL 1" BSP	2
5	30.059.84	ADAPTOR	2
6	08.987.02	CABLE ASSY - 6.10M	1
7	10.006.20	HOSE 1/2"BSP STX90 S.SEAL 1000	1
8	46138.02	OIL COOLER - CABLE LOOM ASSY ICS	1
9	03.816.01	PLUG RUBBER 25mm DIA.	1
10	05.839.05	SETSCREW M6 X 16	4
11	05.282.07	SPRING WASHER M6	4
12	05.291.01	BOLT M8x30	3
13	46650.01	CABLE	1

VENTED TANK LID-COOLER ASSY

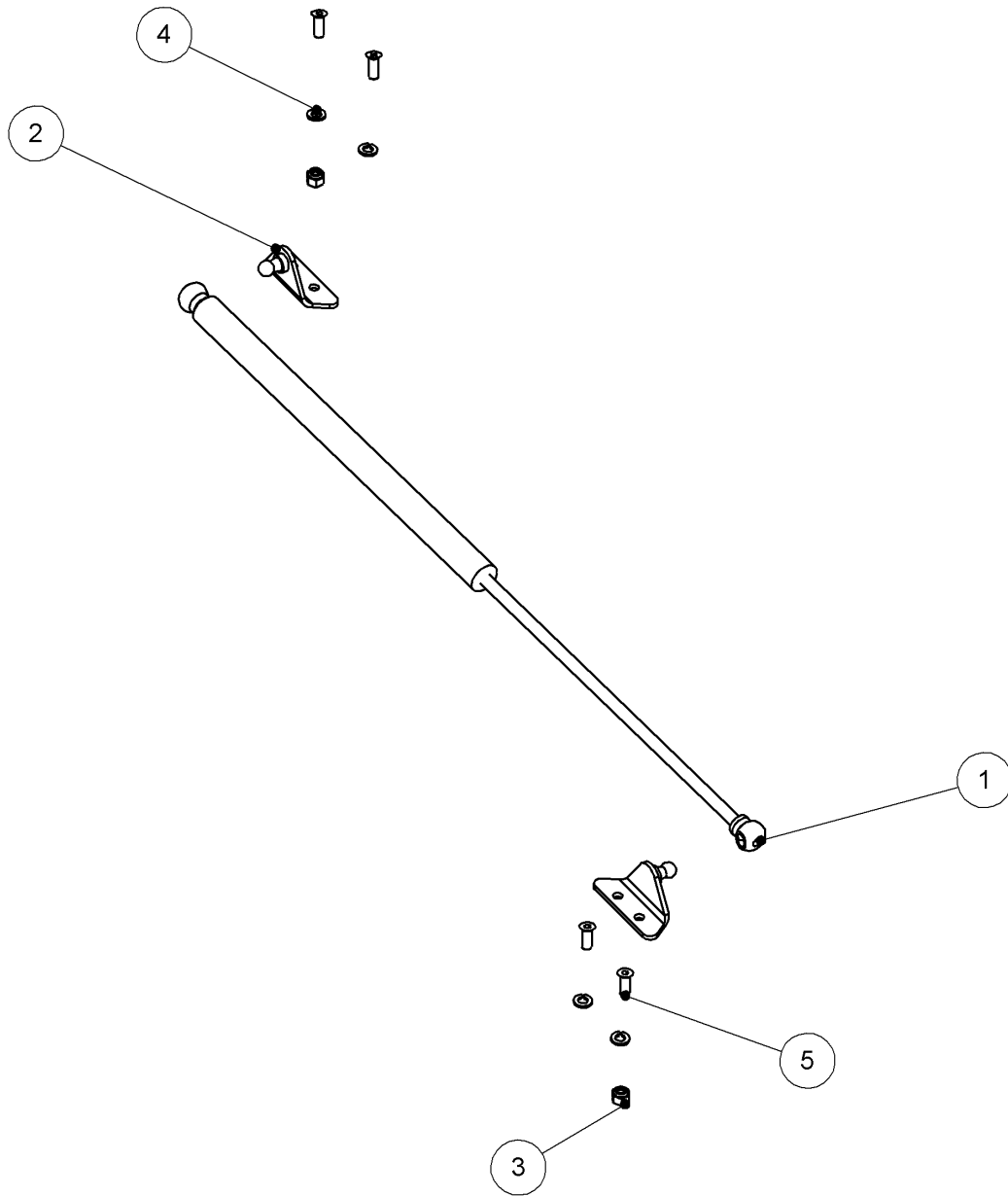
77.410.02 REV : B



ITEM NO.	PART NUMBER	DESCRIPTION	QTY.
1	47320.04	VENTED TANK LID	1
2	47320.10	COVER	1
3	05.625.31	SKT CAPSCREW M8x20	4

GAS STRUT FOR LID

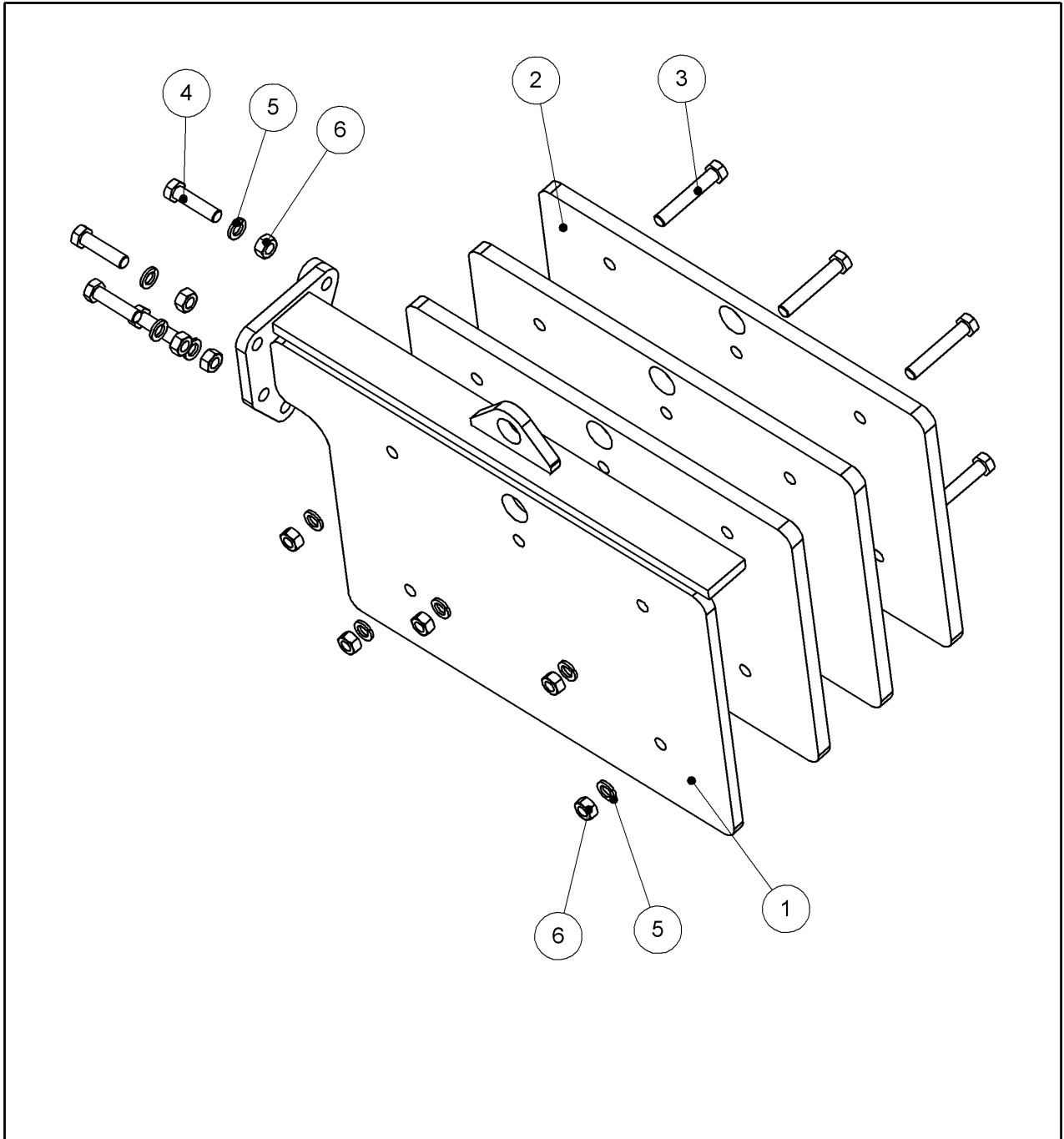
77.305.21 REV : A



ITEM NO.	PART NUMBER	DESCRIPTION	QTY.
1	46748.01	GAS SPRING ASSY	1
2	46765.01	GAS SPRING MTG BRACKET	2
3	30.070.64	NUT NYLOC M6 Z/P	2
4	05.282.07	SPRING WASHER M6	4
5	05.345.14	SOCKET CSK SCREW M6x16	4

WEIGHT BRACKET ASSEMBLY

77.260.01 REV : A



ITEM NO.	PART NUMBER	DESCRIPTION	QTY.
1	46605.01	BRACKET - WEIGHT	1
2	46606.01	WEIGHT	3
3	05.292.45	BOLT M20x120	5
4	05.292.41	BOLT M20x80	4
5	05.282.05	SPRING WASHER M20	9
6	05.286.05	NUT M20	9