

PM 1883

HAWK
4.8P & 5.4P

ARM MOWER
PARTS MANUAL

ISSUE 4

IMPORTANT

NOTE HERE THE SERIAL NUMBER OF YOUR MACHINE AND ALWAYS QUOTE IT IN ANY COMMUNICATION WITH US OR YOUR DEALER. THIS IS PARTICULARLY IMPORTANT WHEN ORDERING SPARES. REMEMBER TO INCLUDE ALL NUMBERS AND LETTERS.

MACHINE SERIAL NUMBERS _____

THE INFORMATION GIVEN THROUGHOUT THIS MANUAL IS CORRECT AT THE TIME OF PUBLICATION. HOWEVER, IN THE COURSE OF CONSTANT DEVELOPMENT OF BOMFORD TURNER MACHINES, CHANGES IN SPECIFICATION ARE INEVITABLE. SHOULD YOU FIND THE INFORMATION GIVEN IN THIS BOOK TO BE AT VARIANCE WITH THE MACHINE IN YOUR POSSESSION, YOU ARE ADVISED TO CONTACT THE BOMFORD TURNER SERVICE DEPARTMENT WHERE UP-TO-DATE INFORMATION WILL BE PROVIDED.

THE MANUAL CAN CONTAIN STANDARD AND OPTIONAL FEATURES AND IS NOT TO BE USED AS A MACHINE SPECIFICATION.

THE MACHINE HAS BEEN TESTED AND IS CONSIDERED SAFE IF CAREFULLY USED. ENSURE YOUR OPERATOR IS PROPERLY TRAINED IN ITS USE AND MAINTENANCE.

IMPORTANT

NOTEZ ICI LES NUMEROS DE SERIE DE VOTRE MACHINE ET MENTIONNEZ LES DANS TOUTE COMMUNICATION AVEC NOS SERVICES OU VOTRE REVENDEUR. CECI EST IMPORTANT POUR LA COMMANDE DE PIECES DETACHEES. PENSEZ A NOTER TOUS LES NUMEROS ET TOUTES LES LETTERS.

NUMEROS DE SERIE DE LA MACHINE _____

LES INFORMATIONS DONNEES DANS CE MANUEL SONT CORRECTES CEPENDANT, DU FAIT DE DEVELOPPEMENT CONSTANT DES MACHINES BOMFORD TURNER.

CHANGEMENTS DANS LES CARACTERISTIQUES SONT INEVITABLES.

SI VOUS TROUVEZ QUE LES INFORMATIONS DONNEES NE CORRESPONDENT PAS A VOTRE MACHINE VEUILLEZ CONTACTER LE SERVICE DES REPARATIONS OU DES INFORMATIONS PLUS RECENTES VOUS SERONT DONNEES.

CE MANUEL PEUT MONTRER DES CARACTERISTIQUES OPTIONNELLES ET NE PEUT PAS ETRE CONSIDERE COMME SPECIFICATION DE LA MACHINE.

CETTE MACHINE A ETE TESTEE, ET ELLE EST CONSIDEREE COMME FIABLE A CONDITION D'UNE BONNE UTILISATION. ASSUREZ-VOUS QUE VOTRE OPERATEUR EST QUALIFIE EN CE QUI CONCERNE L'UTILISATION DE LA MACHINE AINSI QUE SON ENTRETIEN.

WICHTIG

TRAGEN SIE HIER DIE SERIENNUMMERN IHRER MASCHINE EIN UND GEBEN SIE DIESE IMMER AN, WENN SIE SICH AN UNS ODER IHREN HÄNDLER WENDEN. DAS IST BESONDERS BEI ERSATZTEILBESTELLUNGEN WICHTIG. VERGESSEN SIE NICHT, ALLE ZAHLEN UND BUCHSTABEN ZU NOTIEREN.

SERIENNUMMERN DER MASCHINE _____

DIE ANGABEN IN DIESEM HANDBUCH SIND BEI VERÖFFENTLICHUNG KORREKT. AUFGRUND DER KONSTANTEN WEITERENTWICKLUNG VON BOMFORD TURNER MASCHINEN SIND JEDOCHÄNDERUGDEN IN DER SPEZIFIKATION UNVERMEIDLICH. WENN DIE INFORMATION IN DIESEM HANDBUCH NICHT MIT IHRER MASCHINE ÜBEREINSTIMMEN, NEHMEN SIE BITTE KONTAKT MIT DER BOMFORD TURNER KUNDENDIENSTABTEILUNG AUF, DIE IHNEN GERNE DIE AKTUELLEN INFORMATION ZUKOMMEN LÄSST. DAS HANDBUCH KANN SOWOHL BESCHREIBUNGEN FÜR DIE STANDARD AUSFÜHRUNG ALS AUCH FÜR ZUBEHÖR ENTHALTEN UND IST NICHT ALS MASCHINENSPEZIFIKATION ZU VERWENDET.

DIE MASCHINE IST GETESTET UND BEI SACHGEMÄSSEM BETRIEB ALS SICHER BEFUNDEN WORDEN. SORGEN SIE DAFÜR, DASS IHR BEDIENPERSONAL IN ANWENDUNG UND WARTUNG RICHTIG GESCHULT WIRD.

HAWK 4.8P & 5.4P – RANGE OF ARM MOWERS

*PAGE AND ILLUSTRATION NUMBERS SHOWN ARE USED ONLY FOR REFERENCE PURPOSES
AND SHOULD NOT BE USED FOR ORDERING SPARE PARTS*

*PLEASE ENSURE THAT THE CORRECT PART NUMBER AND DESCRIPTION IS GIVEN WHEN
ORDERING PARTS TOGETHER WITH THE SERIAL NUMBER OF THE HEAD.*

Page No.	Description
2 - 1 TO 2 - 4	MAINFRAME ASSEMBLY
3 - 1 TO 3 - 10	OIL TANK ASSEMBLY
4 - 1 TO 4 - 3	KINGPOST & ROCKER ASSEMBLY
5 - 1 TO 5 - 14	ARM ASSEMBLIES
6 - 1 TO 6 - 4	COWL BRACKET AND LINKAGE
7 - 1 TO 7 - 27	GEARBOX & PUMP CIRCUITS
8 - 1 TO 8 - 8	VALVES, ELECTRIC
9 - 1 TO 9 - 4	VALVE, CABLE
10 - 1 TO 10 - 4	REMOTE CONTROL – ELECTRIC
11 – 1	ELECTRIC CONTROL – CAB MOUNTING
12 – 1 TO 12 – 2	REMOTE CONTROL – CABLE
13 – 1 TO 13 – 6	RAM CIRCUITS
14 – 1 TO 14 - 2	SLEW RAM AND ACCUMULATOR
15 – 1 TO 15 - 3	HOSE CIRCUITS
16 – 1	DECALS
17 – 1 TO 17 – 3	ARM FLOAT KIT
18 – 1	3 POINT LINKAGE KIT
19 – 1 TO 19 – 3	LIGHTING KIT
20 – 1	EPP11 MOTOR CONTROL KIT
21 - 1 TO 21 – 5	OIL COOLER ASSEMBLY
22 – 1	OVER CENTRE VALVE
23 – 1	BAR COUPLER
24 – 1	TRANSPORT PACK BASE

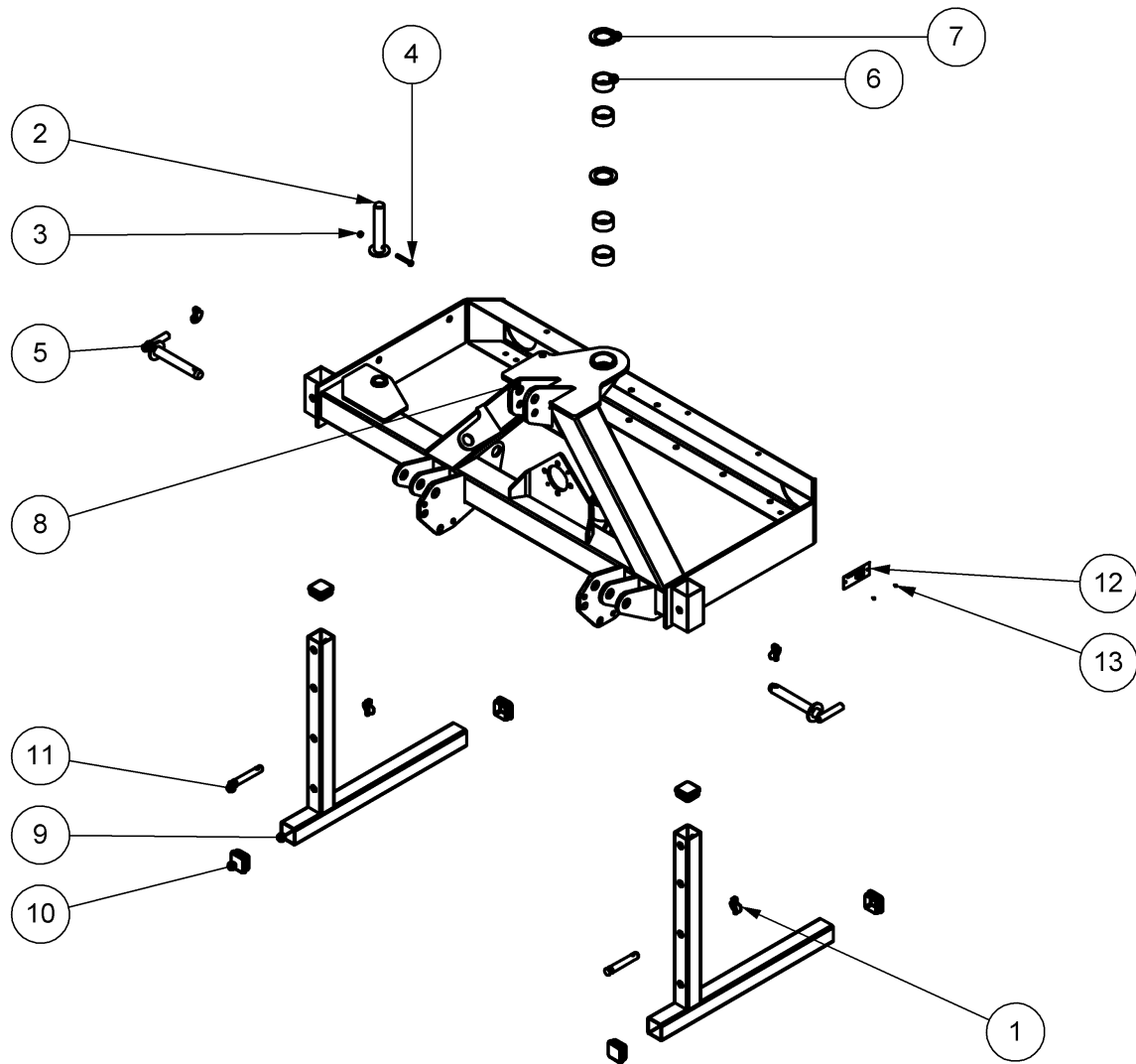
IMPORTANT

**THIS MACHINE IS DESIGNED FOR VEGETATION CONTROL
AND MUST NOT BE USED FOR ANY OTHER PURPOSE**

**IT IS POTENTIALLY HAZARDOUS TO FIT OR USE
ANY PARTS OTHER THAN GENUINE BOMFORD TURNER PARTS**

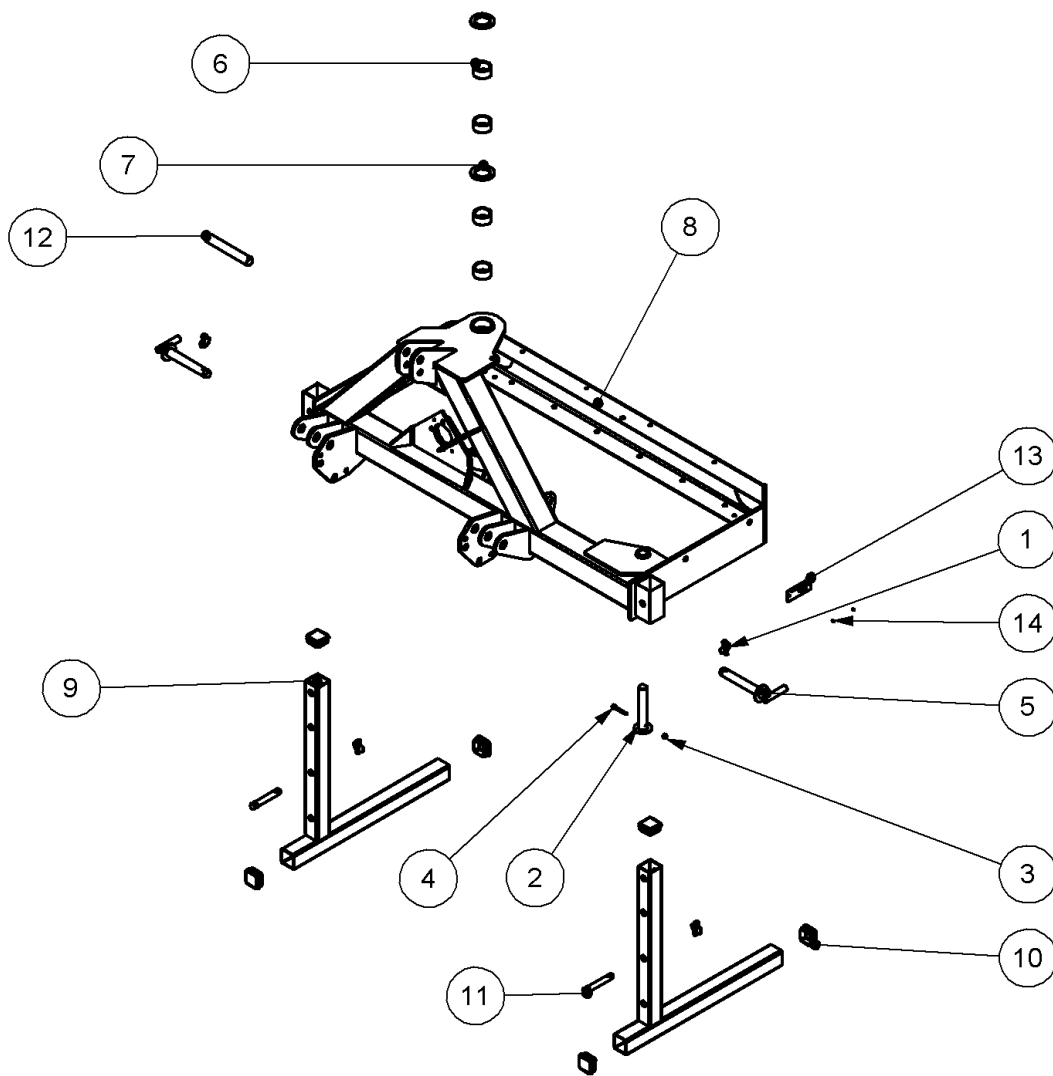
**THE COMPANY DISCLAIMS ALL LIABILITY FOR THE
CONSEQUENCES OF SUCH USE WHICH, IN ADDITION,
VOIDS THE MACHINE WARRANTY**

MAINFRAME ASSY LH - 77.192.01



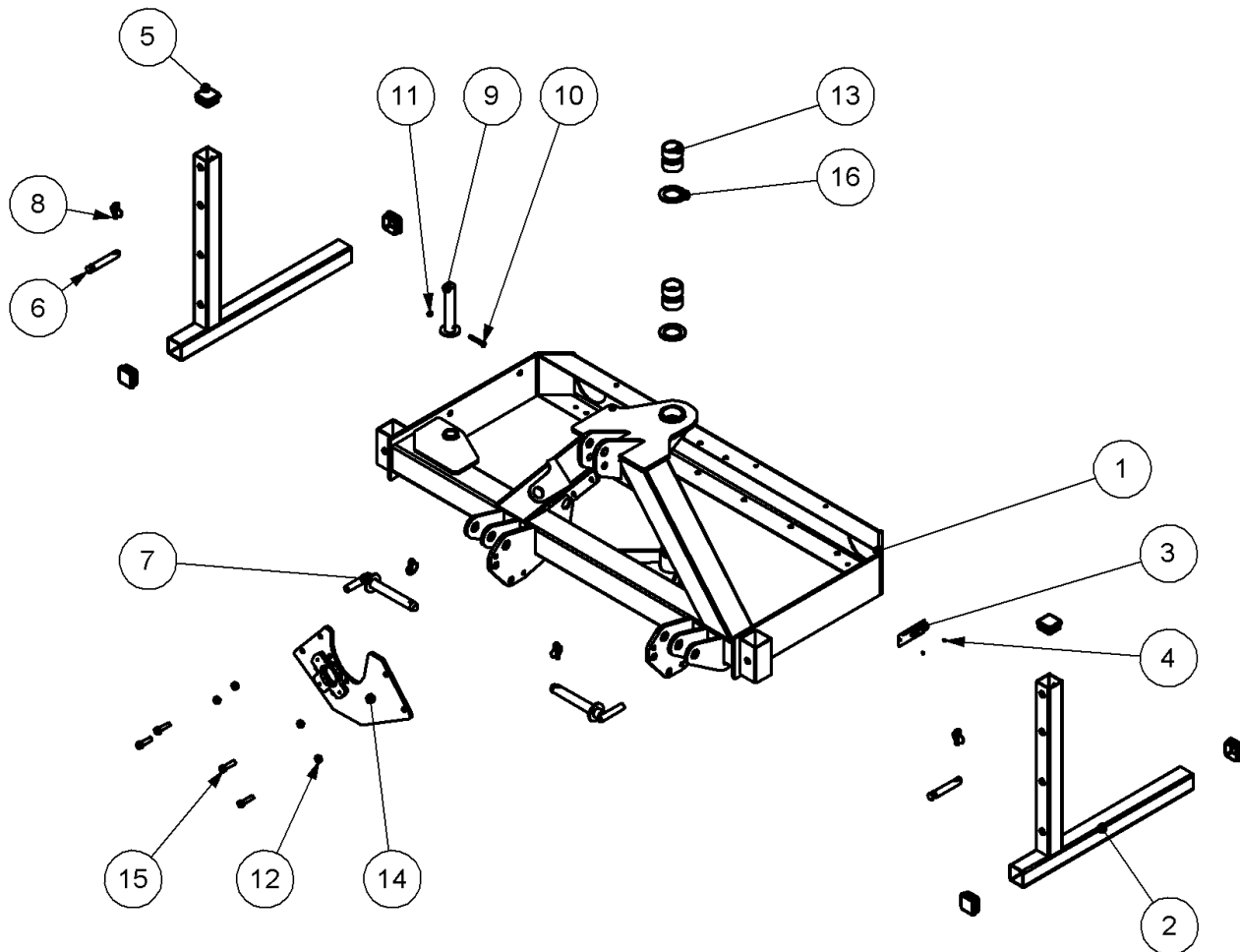
ITEM NO.	PART NUMBER	DESCRIPTION	QTY.
1	00.372.01	LINCH PIN	4
2	03.654.94	PIN 30 DIA X 166	1
3	05.287.01	SELF-LOCKING NUT M8	1
4	05.291.06	BOLT M8x55	1
5	07.574.01	PIN	2
6	08.297.13	BUSH 60X50X30	4
7	09.918.01	THRUST WASHER	2
8	46288.01	MAINFRAME LH (LIGHT WEIGHT)	1
9	46463.01	STAND ASSEMBLY	2
10	7191108	PLASTIC PLUG	6
11	T1657	T1657	2
12	05.774.07	SERIAL PLATE	1
13	05.227.01	HAMMER DRIVE SCREW	2

MAINFRAME ASSY RH LW - 77.192.02



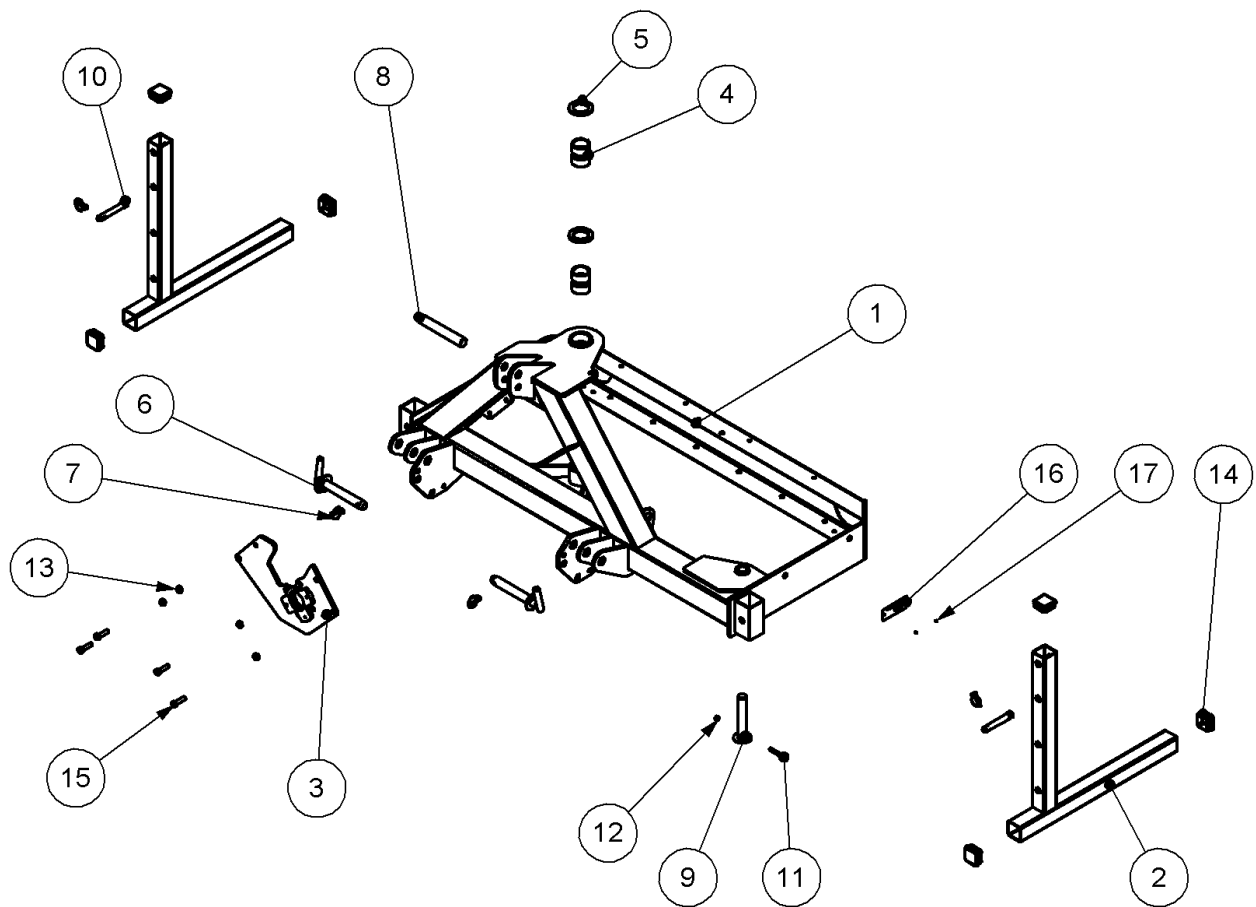
ITEM NO.	PART NUMBER	DESCRIPTION	QTY.
1	00.372.01	LINCH PIN	4
2	03.654.94	PIN 30 DIA X 166	1
3	05.287.01	SELF-LOCKING NUT M8	1
4	05.291.06	BOLT M8x55	1
5	07.574.01	PIN	2
6	08.297.13	BUSH 60X50X30	4
7	09.918.01	THRUST WASHER	2
8	46288.02	MAINFRAME RH LIGHT WEIGHT	1
9	46463.01	STAND ASSEMBLY	2
10	7191108	PLASTIC PLUG	6
11	T1657	T1657	2
12	03.654.96	PIN 30 DIA X 198	1
13	05.774.07	SERIAL PLATE	1
14	05.227.01	HAMMER DRIVE SCREW	2

MAINFRAME ASSY LH HAWK - 77.443.01



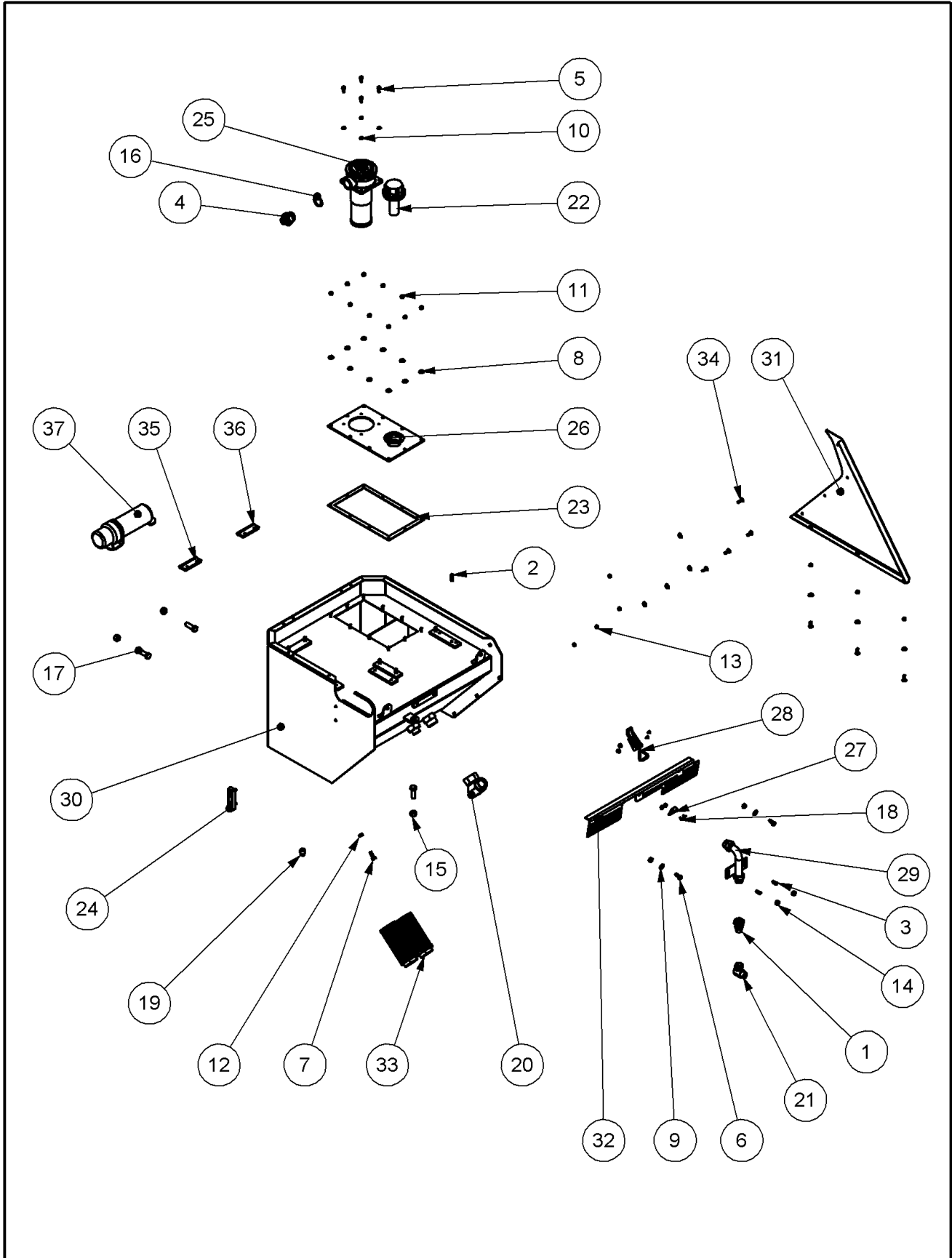
ITEM NO.	PART NUMBER	DESCRIPTION	QTY.
1	47490.01	MAINFRAME LH LW	1
2	46463.01	STAND ASSEMBLY	2
3	05.774.07	SERIAL PLATE	1
4	05.227.01	HAMMER DRIVE SCREW	2
5	7191108	PLASTIC PLUG	6
6	T1657	T1657	2
7	07.574.01	PIN	2
8	00.372.01	LINCH PIN	4
9	03.654.94	PIN 30 DIA X 166	1
10	05.291.06	BOLT M8x55	1
11	05.287.01	SELF-LOCKING NUT M8	1
12	05.287.03	SELF-LOCKING NUT M12	4
13	08.297.13	BUSH 60X50X30	4
14	47492.01	GEARBOX MTG PLATE	1
15	05.264.26	SETSCREW M12x45	4
16	09.918.01	THRUST WASHER	2

MAINFRAME ASSY RH - 77.443.02



ITEM NO.	PART NUMBER	DESCRIPTION	QTY.
1	47490.02	MAINFRAME RH LW	1
2	46463.01	STAND ASSEMBLY	2
3	47492.02	GEARBOX MTG PLATE	1
4	08.297.13	BUSH 60X50X30	4
5	09.918.01	THRUST WASHER	2
6	07.574.01	PIN	2
7	00.372.01	LINCH PIN	4
8	03.654.96	PIN 30 DIA X 198	1
9	03.654.94	PIN 30 DIA X 166	1
10	T1657	T1657	2
11	05.291.06	BOLT M8x55	1
12	05.287.01	SELF-LOCKING NUT M8	1
13	05.287.03	SELF-LOCKING NUT M12	4
14	7191108	PLASTIC PLUG	6
15	05.264.26	SETScrew M12x45	4
16	05.774.07	SERIAL PLATE	1
17	05.227.01	HAMMER DRIVE SCREW	2

OIL TANK ASSY LH - 77.176.01



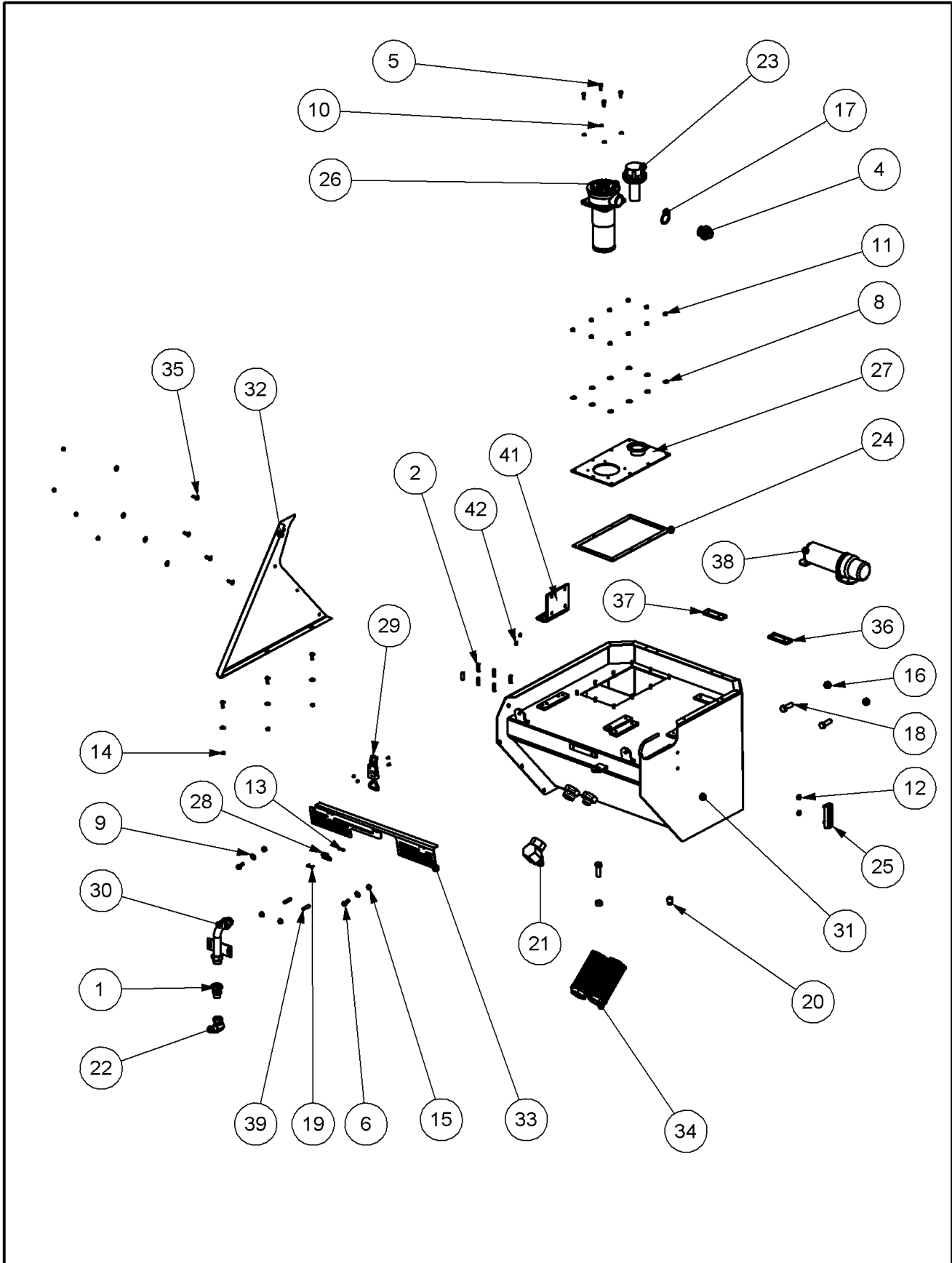
OIL TANK ASSY LH - 77.176.01

OIL TANK ASSY LH - 77.176.01

ITEM NO.	PART NUMBER	DESCRIPTION	QTY.
1	02.714.05	ADAPT.STR.SWIVEL 1"BSPx3/4"BSP F/M	1
2	03.100.01	STUD M10x34	6
3	04.282.88	STUD M10 X 23	4
4	05.131.01	ADAPTOR 1" x 1.1/4"BSP	1
5	05.264.01	SETSCREW M8x20	4
6	05.264.12	SETSCREW M10x25	2
7	05.264.13	SETSCREW M10x30	1
8	05.281.01	FLAT WASHER M8	17
9	05.281.02	FLAT WASHER M10	2
10	05.282.01	SPRING WASHER M8	4
11	05.286.01	NUT M8	14
12	05.286.02	NUT M10	3
13	05.287.01	SELF-LOCKING NUT M8	7
14	05.287.02	SELF-LOCKING NUT M10	4
15	05.287.04	SELF-LOCKING NUT M16	3
16	05.290.08	BONDED SEAL 1.1/4" BSP	1
17	05.291.35	BOLT M16x50	3
18	9353022	M5 SOCKET HEAD C/SK	4
19	05.495.01	PLUG 1/2" BSPT	1
20	05.835.10	90 ADAPTOR M/F SWIVEL	1
21	05.835.03	90 ADAPTOR M/F SWIVEL	1
22	06.966.02	FILLER BREATHER CAP & STRAIN	1
23	08.605.01	GASKET	1
24	08.921.01	FLUID LEVEL GAUGE	1
25	46750.01	FILTER ASSEMBLY 125L PARKER	1
26	41.255.01	PLATE - FILLER/FILTER	1
27	43449.03	TOGGLE CLAMP PLATE	1
28	43449.04	FASTENER OVERCENTRE	1
29	46107.01	PIPE - HYDRAULIC 1"BSP	1
30	46225.07	HAWK TANK LH	1
31	46229.05	GUARD - REAR LH 100L	1
32	47333.01	COVER - TANK LH	1
33	8401047	STRAINER	2
34	9293054	BOLT CUP SQR M8x25	7
35	46065.01	HINGE	1
36	46065.02	HINGE	1
37	46505.01	LITERATURE HOLDER	1

* 46750.02 - ELEMENT 125L

OIL TANK ASSY RH HAWK - 77.176.02

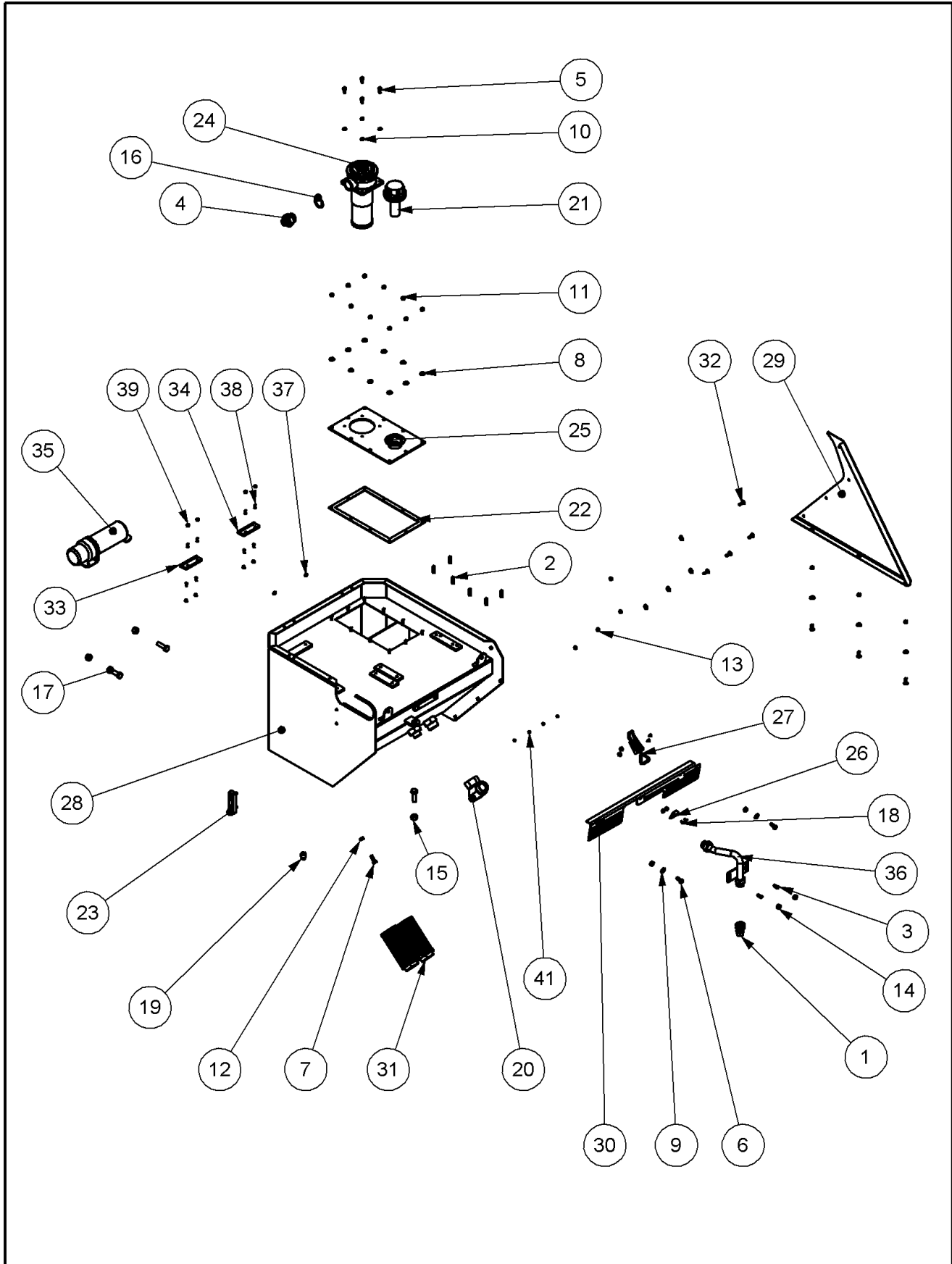


OIL TANK ASSY RH HAWK - 77.176.02

OIL TANK ASSY RH HAWK - 77.176.02

ITEM NO.	PART NUMBER	DESCRIPTION	QTY.
1	02.714.05	ADAPT.STR.SWIVEL 1"BSPx3/4"BSP F/M	1
2	03.100.01	STUD M10x34	6
3	04.282.42	STUD M10 X 40	2
4	05.131.01	ADAPTOR 1" x 1.1/4"BSP	1
5	05.264.01	SETSCREW M8x20	4
6	05.264.12	SETSCREW M10x25	2
7	05.264.13	SETSCREW M10x30	1
8	05.281.01	FLAT WASHER M8	17
9	05.281.02	FLAT WASHER M10	2
10	05.282.01	SPRING WASHER M8	4
11	05.286.01	NUT M8	10
12	05.286.02	NUT M10	3
13	05.286.09	NUT M5	4
14	05.287.01	SELF-LOCKING NUT M8	7
15	05.287.02	SELF-LOCKING NUT M10	4
16	05.287.04	SELF-LOCKING NUT M16	3
17	05.290.08	BONDED SEAL 1.1/4" BSP	1
18	05.291.35	BOLT M16x50	3
19	9353022	M5 SOCKET HEAD C/SK	4
20	05.495.01	PLUG 1/2" BSPT	1
21	05.835.10	90 ADAPTOR M/F SWIVEL	1
22	05.835.03	90 ADAPTOR M/F SWIVEL	1
23	06.966.02	FILLER BREATHER CAP & STRAIN	1
24	08.605.01	GASKET	1
25	08.921.01	FLUID LEVEL GAUGE	1
26	46750.01	FILTER ASSEMBLY 125L PARKER	1
27	41.255.01	PLATE - FILLER/FILTER	1
28	43449.03	TOGGLE CLAMP PLATE	1
29	43449.04	FASTENER OVERCENTRE	1
30	46107.01	PIPE - HYDRAULIC 1"BSP	1
31	46225.08	HAWK TANK RH	1
32	46229.06	GUARD - REAR RH 100L	1
33	47333.02	COVER - TANK RH	1
34	8401047	STRAINER	2
35	9293054	BOLT CUP SQR M8x25	7
36	46065.01	HINGE	1
37	46065.02	HINGE	1
38	46505.01	LITERATURE HOLDER	1
39	04.282.88	STUD M10 X 23	2
40	05.292.32	BOLT M16x90	1
41	46095.01	PLATE - VALVE MOUNTING	1
42	46192.01	PUSH ON RETAINER	2
43	05.969.02	SELF-TAP.SCREW No14 3/4"HEX HD	2

OIL TANK ASSY LH - 77.176.05



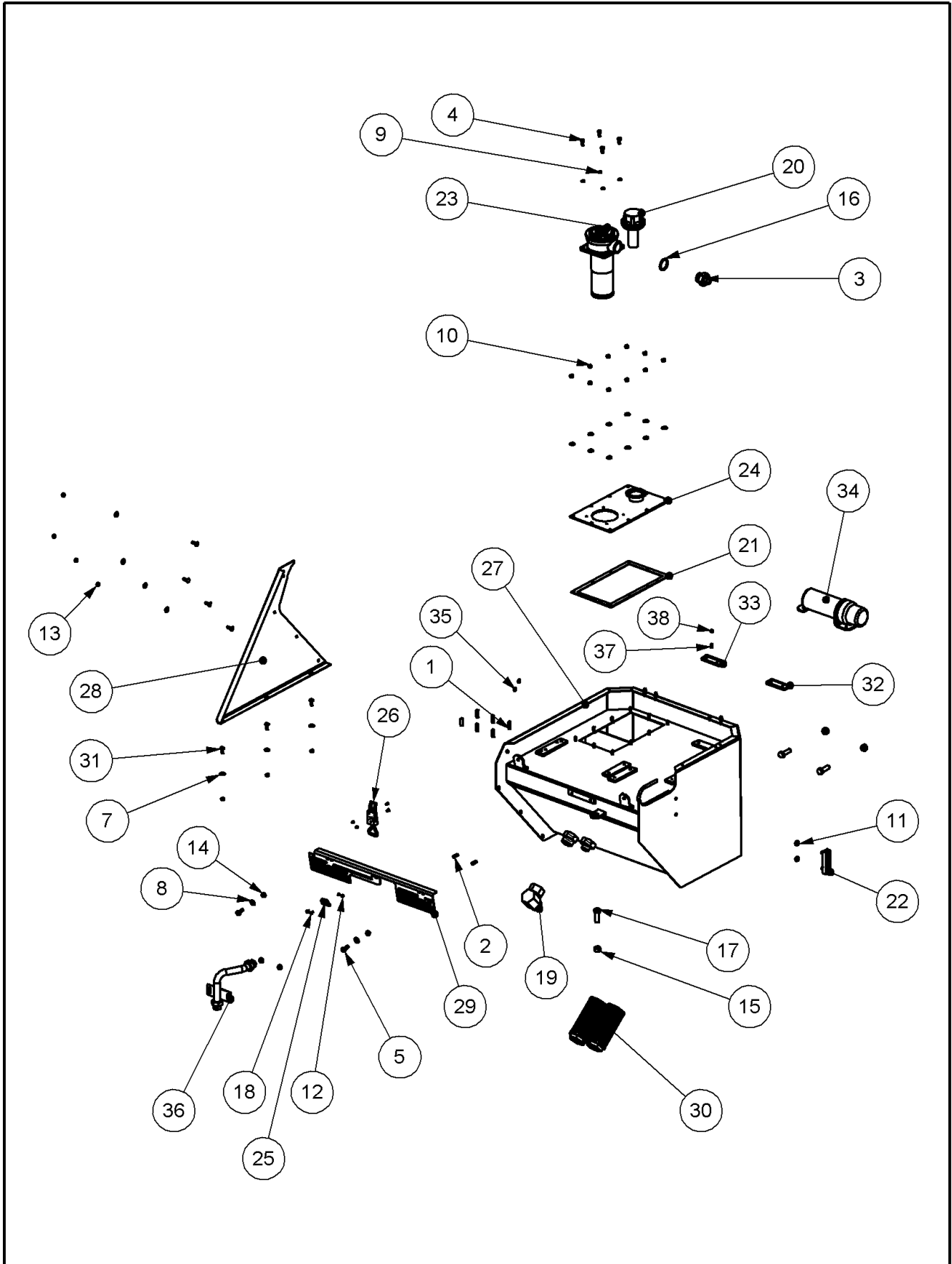
OIL TANK ASSY LH - 77.176.05

OIL TANK ASSY LH - 77.176.05

ITEM NO.	PART NUMBER	DESCRIPTION	QTY.
1	02.714.05	ADAPT.STR.SWIVEL 1"BSPx3/4"BSP F/M	1
2	03.100.01	STUD M10x34	6
3	04.282.88	STUD M10 X 23	4
4	05.131.01	ADAPTOR 1" x 1.1/4"BSP	1
5	05.264.01	SETSCREW M8x20	4
6	05.264.12	SETSCREW M10x25	2
7	05.264.13	SETSCREW M10x30	1
8	05.281.01	FLAT WASHER M8	17
9	05.281.02	FLAT WASHER M10	2
10	05.282.01	SPRING WASHER M8	4
11	05.286.01	NUT M8	14
12	05.286.02	NUT M10	3
13	05.287.01	SELF-LOCKING NUT M8	7
14	05.287.02	SELF-LOCKING NUT M10	4
15	05.287.04	SELF-LOCKING NUT M16	3
16	05.290.08	BONDED SEAL 1.1/4" BSP	1
17	05.291.35	BOLT M16x50	3
18	9353022	M5 SOCKET HEAD C/SK	4
19	05.495.01	PLUG 1/2" BSPT	1
20	05.835.10	90 ADAPTOR M/F SWIVEL	1
21	06.966.02	FILLER BREATHER CAP & STRAIN	1
22	08.605.01	GASKET	1
23	08.921.01	FLUID LEVEL GAUGE	1
24	46750.01	FILTER ASSEMBLY 125L PARKER	1
25	41.255.01	PLATE - FILLER/FILTER	1
26	43449.03	TOGGLE CLAMP PLATE	1
27	43449.04	FASTENER OVERCENTRE	1
28	46225.07	HAWK TANK LH	1
29	46229.05	GUARD - REAR LH 100L	1
30	47333.01	COVER - TANK LH	1
31	8401047	STRAINER	2
32	9293054	BOLT CUP SQR M8x25	7
33	46065.01	HINGE	1
34	46065.02	HINGE	1
35	46505.01	LITERATURE HOLDER	1
36	46107.05	PIPE - HYDRAULIC 1"BSP	1
37	46192.01	PUSH ON RETAINER	2
38	05.345.14	SOCKET CSK SCREW M6x16	8
39	30.070.64	NUT NYLOC M6 Z/P	8
40	05.969.02	SELF-TAP.SCREW No14 3/4"HEX HD	2
41	05.286.09	NUT M5	4

* 46750.02 - ELEMENT 125L

OIL TANK ASSY RH HAWK - 77.176.06

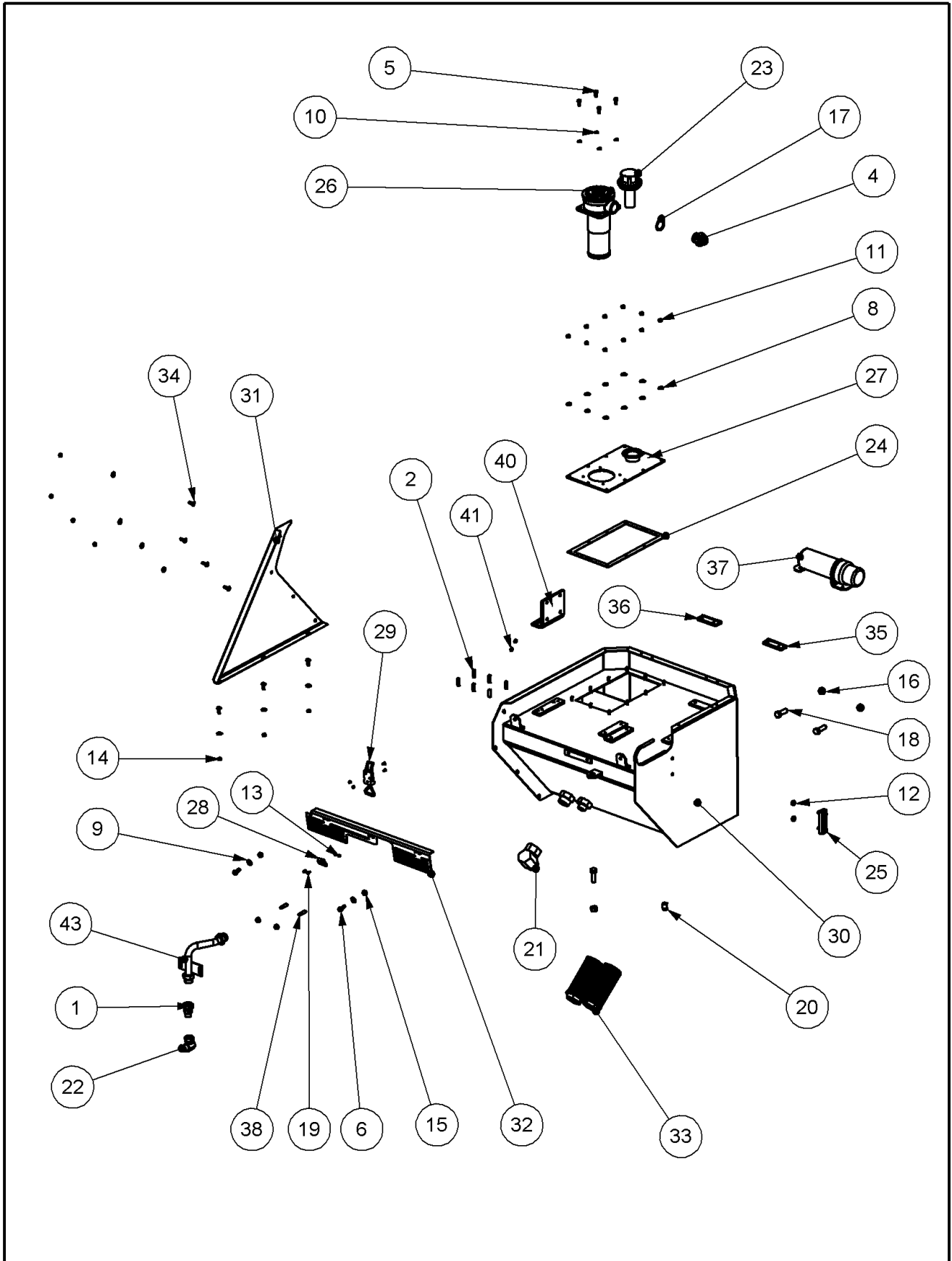


OIL TANK ASSY RH HAWK - 77.176.06

OIL TANK ASSY RH HAWK - 77.176.06

ITEM NO.	PART NUMBER	DESCRIPTION	QTY.
1	03.100.01	STUD M10x34	6
2	05.131.01	ADAPTOR 1" x 1.1/4"BSP	1
3	05.264.01	SETSCREW M8x20	4
4	05.264.12	SETSCREW M10x25	2
5	05.264.13	SETSCREW M10x30	1
6	05.281.01	FLAT WASHER M8	17
7	05.281.02	FLAT WASHER M10	2
8	05.282.01	SPRING WASHER M8	4
9	05.286.01	NUT M8	10
10	05.286.02	NUT M10	3
11	05.286.09	NUT M5	4
12	05.287.01	SELF-LOCKING NUT M8	7
13	05.287.02	SELF-LOCKING NUT M10	4
14	05.287.04	SELF-LOCKING NUT M16	3
15	05.290.08	BONDED SEAL 1.1/4" BSP	1
16	05.291.35	BOLT M16x50	3
17	9353022	M5 SOCKET HEAD C/SK	4
18	05.835.10	90 ADAPTOR M/F SWIVEL	1
19	06.966.02	FILLER BREATHER CAP & STRAIN	1
20	08.605.01	GASKET	1
21	08.921.01	FLUID LEVEL GAUGE	1
22	46750.01	FILTER ASSEMBLY 125L PARKER	1
23	41.255.01	PLATE - FILLER/FILTER	1
24	43449.03	TOGGLE CLAMP PLATE	1
25	43449.04	FASTENER OVERCENTRE	1
26	46107.06	PIPE - HYDRAULIC 1"BSP RH	1
27	46225.08	HAWK TANK RH	1
28	46229.06	GUARD - REAR RH 100L	1
29	47333.02	COVER - TANK RH	1
30	8401047	STRAINER	2
31	9293054	BOLT CUP SQR M8x25	7
32	46065.01	HINGE	1
33	46065.02	HINGE	1
34	46505.01	LITERATURE HOLDER	1
35	04.282.88	STUD M10 X 23	2
36	46192.01	PUSH ON RETAINER	2
37	05.345.14	SOCKET CSK SCREW M6x16	8
38	30.070.64	NUT NYLOC M6 Z/P	8
39	05.969.02	SELF-TAP SCREW No14 3/4"HEX HD	2

OIL TANK ASSY RH - 77.176.10

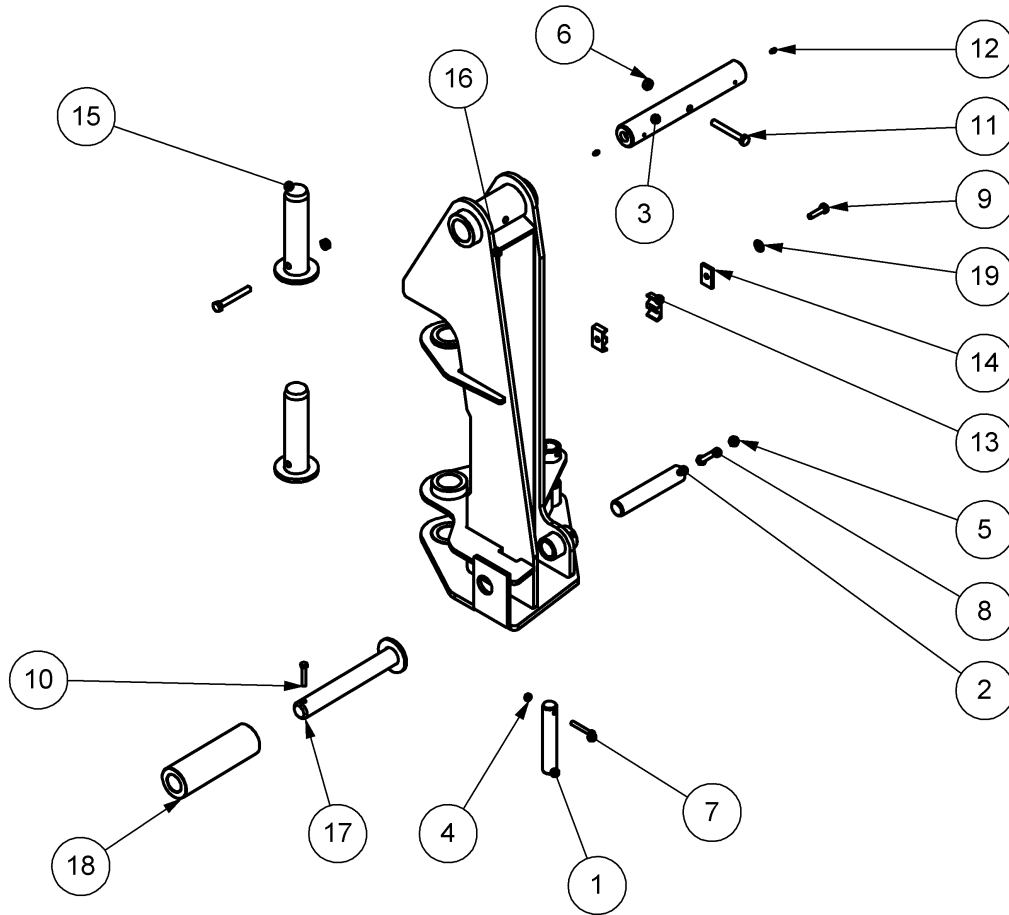


OIL TANK ASSY RH - 77.176.10

OIL TANK ASSY RH HAWK - 77.176.10

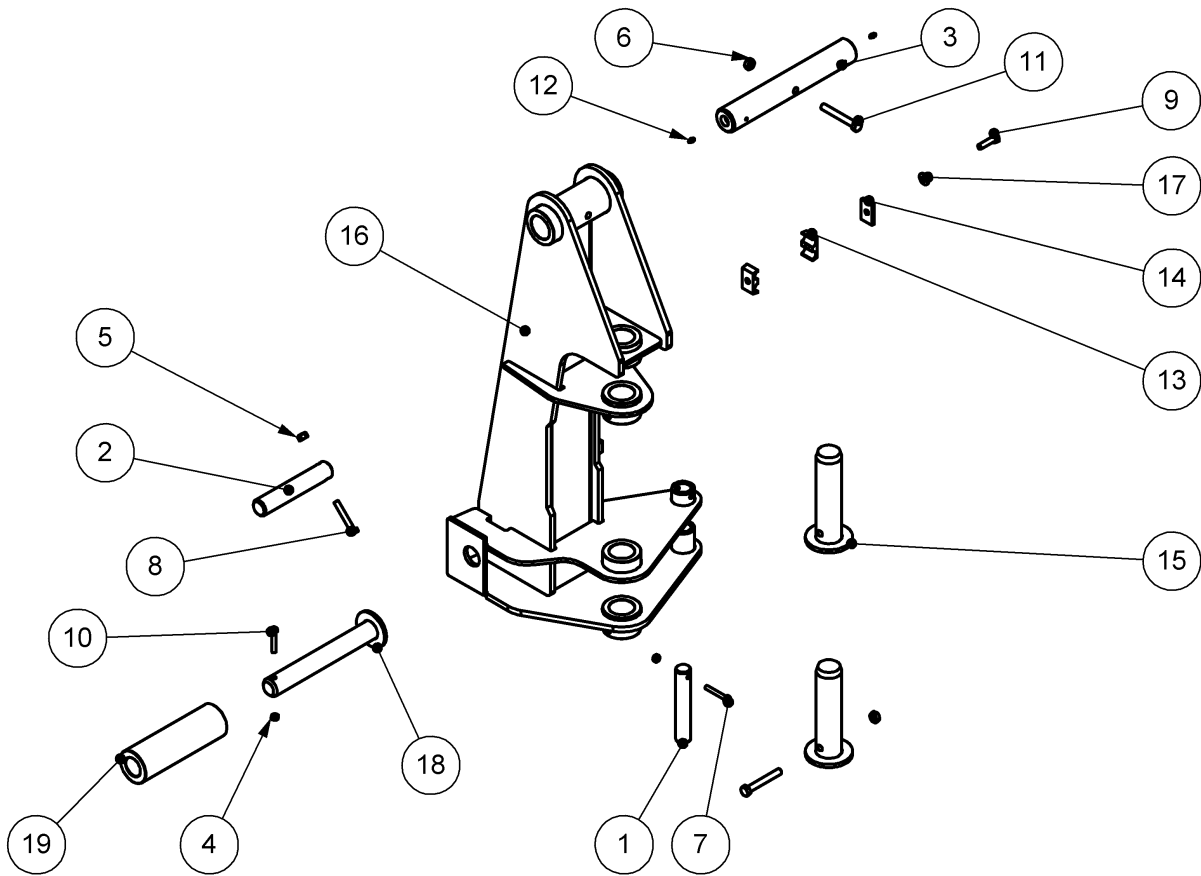
ITEM NO.	PART NUMBER	DESCRIPTION	QTY.
1	02.714.05	ADAPT.STR.SWIVEL 1"BSPx3/4"BSP F/M	1
2	03.100.01	STUD M10x34	6
3	04.282.42	STUD M10 X 40	2
4	05.131.01	ADAPTOR 1" x 1.1/4"BSP	1
5	05.264.01	SETSCREW M8x20	4
6	05.264.12	SETSCREW M10x25	2
7	05.264.13	SETSCREW M10x30	1
8	05.281.01	FLAT WASHER M8	17
9	05.281.02	FLAT WASHER M10	2
10	05.282.01	SPRING WASHER M8	4
11	05.286.01	NUT M8	10
12	05.286.02	NUT M10	3
13	05.286.09	NUT M5	4
14	05.287.01	SELF-LOCKING NUT M8	7
15	05.287.02	SELF-LOCKING NUT M10	4
16	05.287.04	SELF-LOCKING NUT M16	3
17	05.290.08	BONDED SEAL 1.1/4" BSP	1
18	05.291.35	BOLT M16x50	3
19	9353022	M5 SOCKET HEAD C/SK	4
20	05.495.01	PLUG 1/2" BSPT	1
21	05.835.10	90 ADAPTOR M/F SWIVEL	1
22	05.835.03	90 ADAPTOR M/F SWIVEL	1
23	06.966.02	FILLER BREATHER CAP & STRAIN	1
24	08.605.01	GASKET	1
25	08.921.01	FLUID LEVEL GAUGE	1
26	46750.01	FILTER ASSEMBLY 125L PARKER	1
27	41.255.01	PLATE - FILLER/FILTER	1
28	43449.03	TOGGLE CLAMP PLATE	1
29	43449.04	FASTENER OVERCENTRE	1
30	46225.08	HAWK TANK RH	1
31	46229.06	GUARD - REAR RH 100L	1
32	47333.02	COVER - TANK RH	1
33	8401047	STRAINER	2
34	9293054	BOLT CUP SQR M8x25	7
35	46065.01	HINGE	1
36	46065.02	HINGE	1
37	46505.01	LITERATURE HOLDER	1
38	04.282.88	STUD M10 X 23	2
39	05.292.32	BOLT M16x90	1
40	46095.01	PLATE - VALVE MOUNTING	1
41	46192.01	PUSH ON RETAINER	2
42	05.969.02	SELF-TAP.SCREW No14 3/4"HEX HD	2
43	46107.06	PIPE - HYDRAULIC 1"BSP RH	1

KINGPOST PAR ASSY LH - 77.197.01



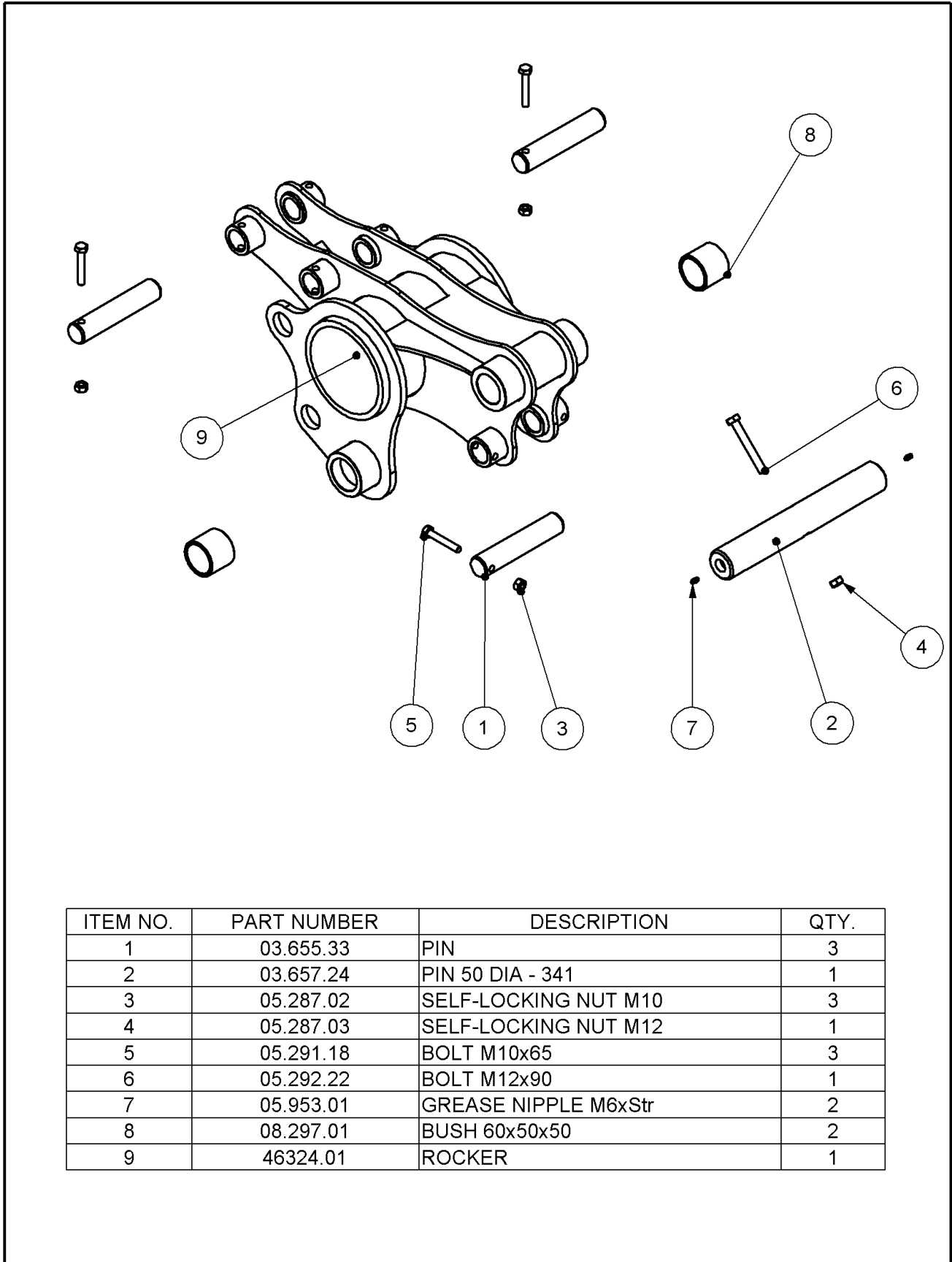
ITEM NO.	PART NUMBER	DESCRIPTION	QTY.
1	03.654.89	PIN 30 DIA X 170	1
2	03.655.53	PIN 35 DIA X 189	1
3	03.657.24	PIN 50 DIA - 341	1
4	05.287.01	SELF-LOCKING NUT M8	2
5	05.287.02	SELF-LOCKING NUT M10	1
6	05.287.03	SELF-LOCKING NUT M12	2
7	05.291.06	BOLT M8x55	1
8	05.291.18	BOLT M10x65	1
9	05.291.13	BOLT M10x40	1
10	05.291.05	BOLT M8x50	1
11	05.292.22	BOLT M12x90	2
12	05.953.01	GREASE NIPPLE M6xStr	2
13	06.430.07	CLAMP - HOSE	2
14	06.418.06	FLAT	1
15	45965.01	PIN - KINGPOST 50MM DIA	2
16	46396.01	KINGPOST PARA LH	1
17	46543.01	PIN 1 1/2" DIA - 290MM	1
18	46542.02	STOP TUBE	1
19	05.281.02	FLAT WASHER M10	1

KINGPOST PAR ASSY RH - 77.197.02



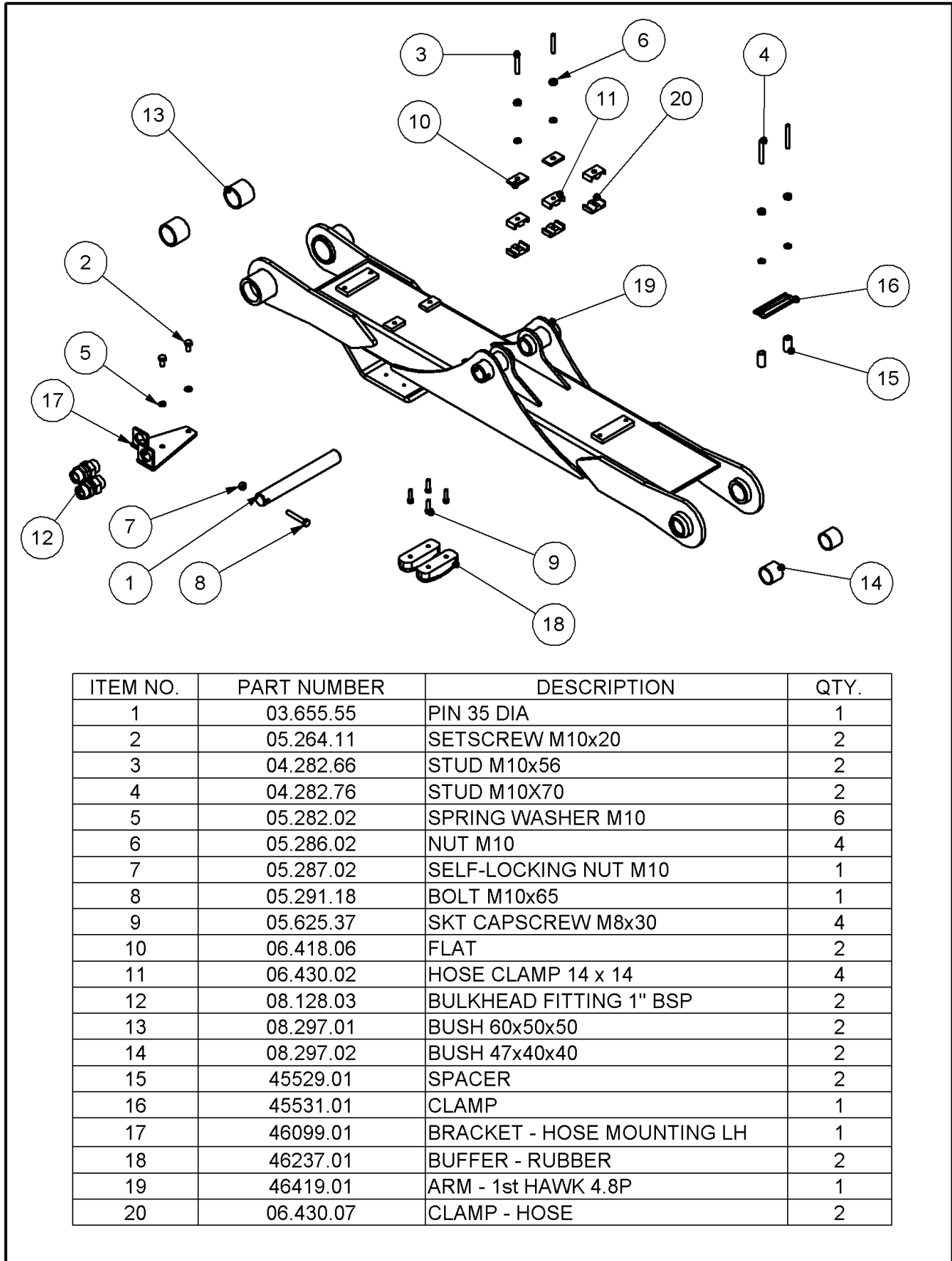
ITEM NO.	PART NUMBER	DESCRIPTION	QTY.
1	03.654.89	PIN 30 DIA X 170	1
2	03.655.53	PIN 35 DIA X 189	1
3	03.657.24	PIN 50 DIA - 341	1
4	05.287.01	SELF-LOCKING NUT M8	2
5	05.287.02	SELF-LOCKING NUT M10	1
6	05.287.03	SELF-LOCKING NUT M12	2
7	05.291.06	BOLT M8x55	1
8	05.291.18	BOLT M10x65	1
9	05.291.13	BOLT M10x40	1
10	05.291.05	BOLT M8x50	1
11	05.292.22	BOLT M12x90	2
12	05.953.01	GREASE NIPPLE M6xStr	2
13	06.430.07	CLAMP - HOSE	2
14	06.418.06	FLAT	1
15	45965.01	PIN - KINGPOST 50MM DIA	2
16	46396.02	KINGPOST PARA RH	1
17	05.281.02	FLAT WASHER M10	1
18	46543.01	PIN 1 1/2" DIA - 290MM	1
19	46542.02	STOP TUBE	1

ROCKER ASSEMBLY - 77.198.01

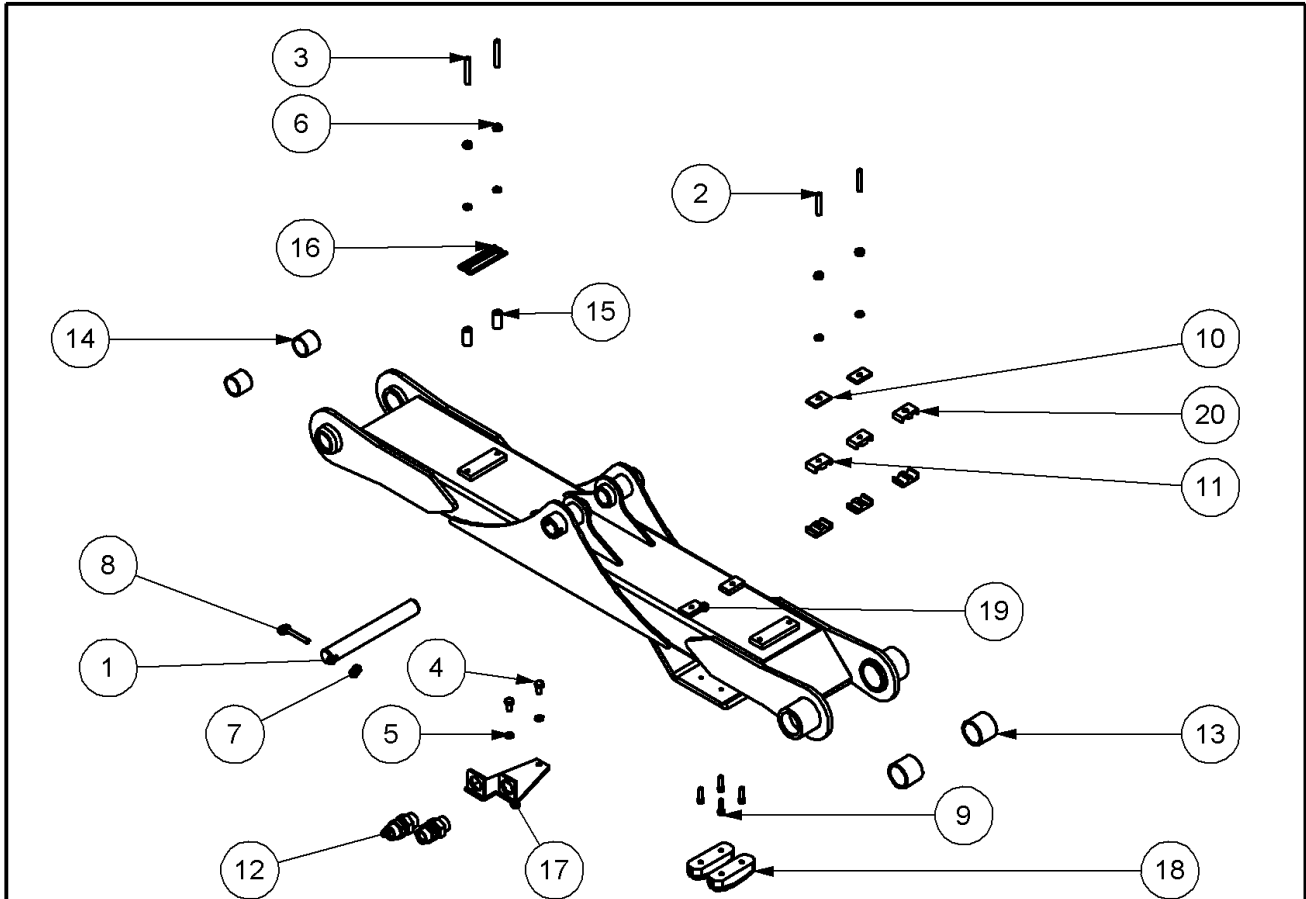


ITEM NO.	PART NUMBER	DESCRIPTION	QTY.
1	03.655.33	PIN	3
2	03.657.24	PIN 50 DIA - 341	1
3	05.287.02	SELF-LOCKING NUT M10	3
4	05.287.03	SELF-LOCKING NUT M12	1
5	05.291.18	BOLT M10x65	3
6	05.292.22	BOLT M12x90	1
7	05.953.01	GREASE NIPPLE M6xStr	2
8	08.297.01	BUSH 60x50x50	2
9	46324.01	ROCKER	1

ARM ASSY - 1st LH HAWK - 77.199.05

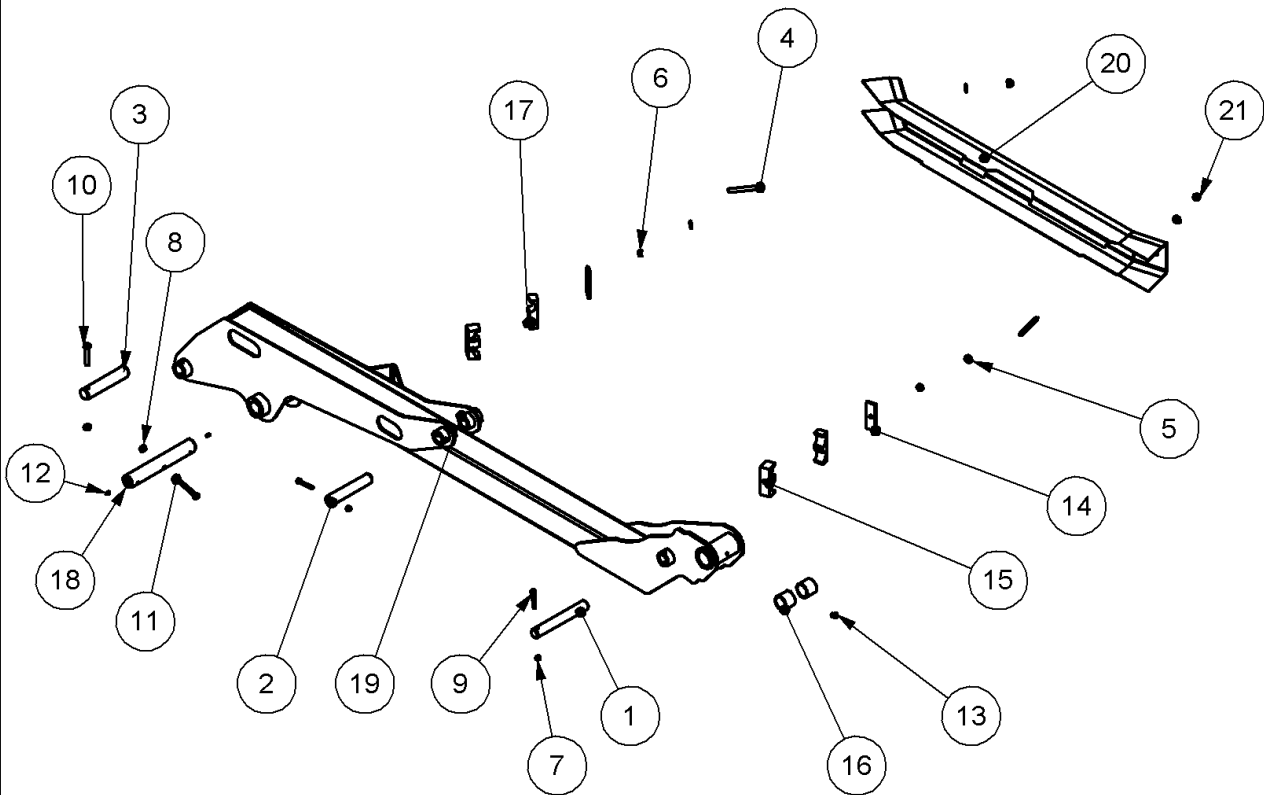


ARM ASSY-1st RH HAWK - 77.199.06



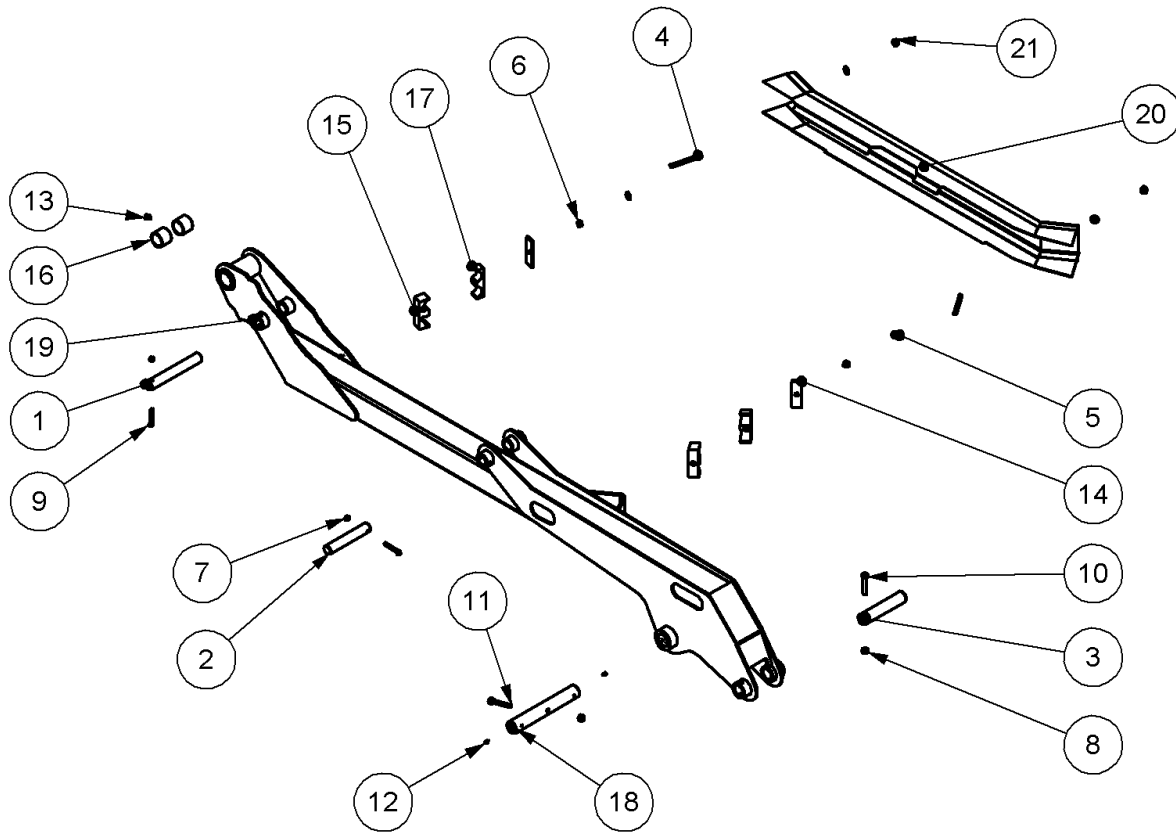
ITEM NO.	PART NUMBER	DESCRIPTION	QTY.
1	03.655.55	PIN 35 DIA	1
2	04.282.66	STUD M10x56	2
3	04.282.76	STUD M10X70	2
4	05.264.11	SETSCREW M10x20	2
5	05.282.02	SPRING WASHER M10	6
6	05.286.02	NUT M10	4
7	05.287.02	SELF-LOCKING NUT M10	1
8	05.291.18	BOLT M10x65	1
9	05.625.37	SKT CAPSCREW M8x30	4
10	06.418.06	FLAT	2
11	06.430.02	HOSE CLAMP 14 x 14	4
12	08.128.03	BULKHEAD FITTING 1" BSP	2
13	08.297.01	BUSH 60x50x50	2
14	08.297.02	BUSH 47x40x40	2
15	45529.01	SPACER	2
16	45531.01	CLAMP	1
17	46099.02	BRACKET - HOSE MOUNTING RH	1
18	46237.01	BUFFER - RUBBER	2
19	46419.01	ARM - 1st HAWK 4.8P	1
20	06.430.07	CLAMP - HOSE	2

ARM ASSY-2nd LH HAWK - 77.196.05



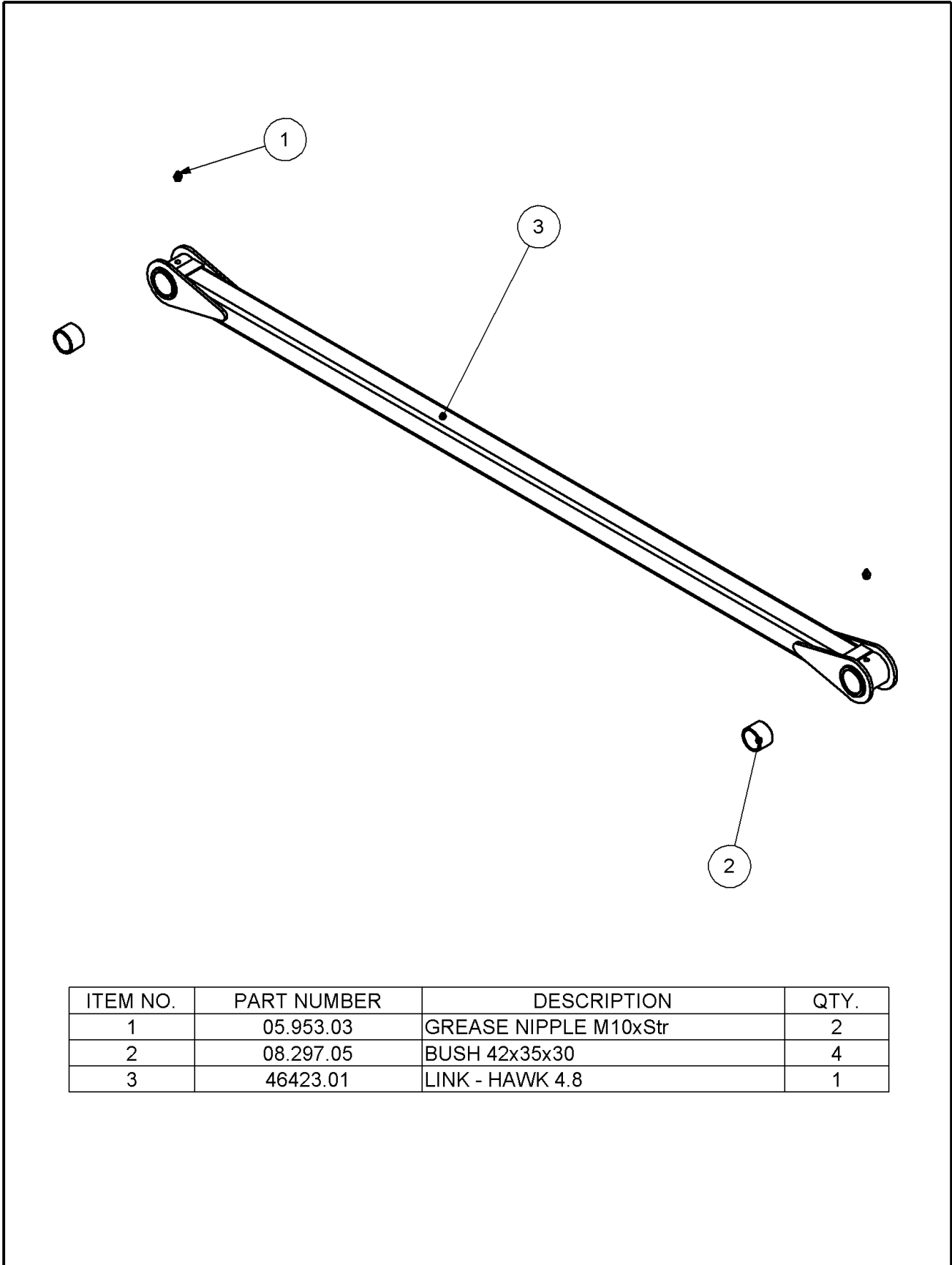
ITEM NO.	PART NUMBER	DESCRIPTION	QTY.
1	03.654.79	PIN 30 DIA X 214	1
2	03.654.89	PIN 30 DIA X 170	1
3	03.655.33	PIN	1
4	04.282.84	STUD M10X95	2
5	05.281.02	FLAT WASHER M10	4
6	05.286.02	NUT M10	2
7	05.287.01	SELF-LOCKING NUT M8	2
8	05.287.02	SELF-LOCKING NUT M10	2
9	05.291.06	BOLT M8x55	2
10	05.291.18	BOLT M10x65	1
11	05.292.11	BOLT M10x80	1
12	05.953.01	GREASE NIPPLE M6xStr	2
13	05.953.04	GREASE NIPPLE M10x90 deg	1
14	06.418.05	CLAMP PLATE 95 x 6	2
15	45630.01	HOSE CLAMP-PLASTIC	4
16	08.297.02	BUSH 47x40x40	2
17	30.217.76	30.217.76	2
18	43292.34	PIN DIA. 40 - 270	1
19	46421.01	ARM - 2nd LH HAWK 4.8P	1
20	46430.01	GUARD - 2nd ARM LH 4.8P	1
21	9100025	M10 DOME NUT	2

ARM ASSY - 2nd RH HAWK 4.8 PAR - 77.196.06

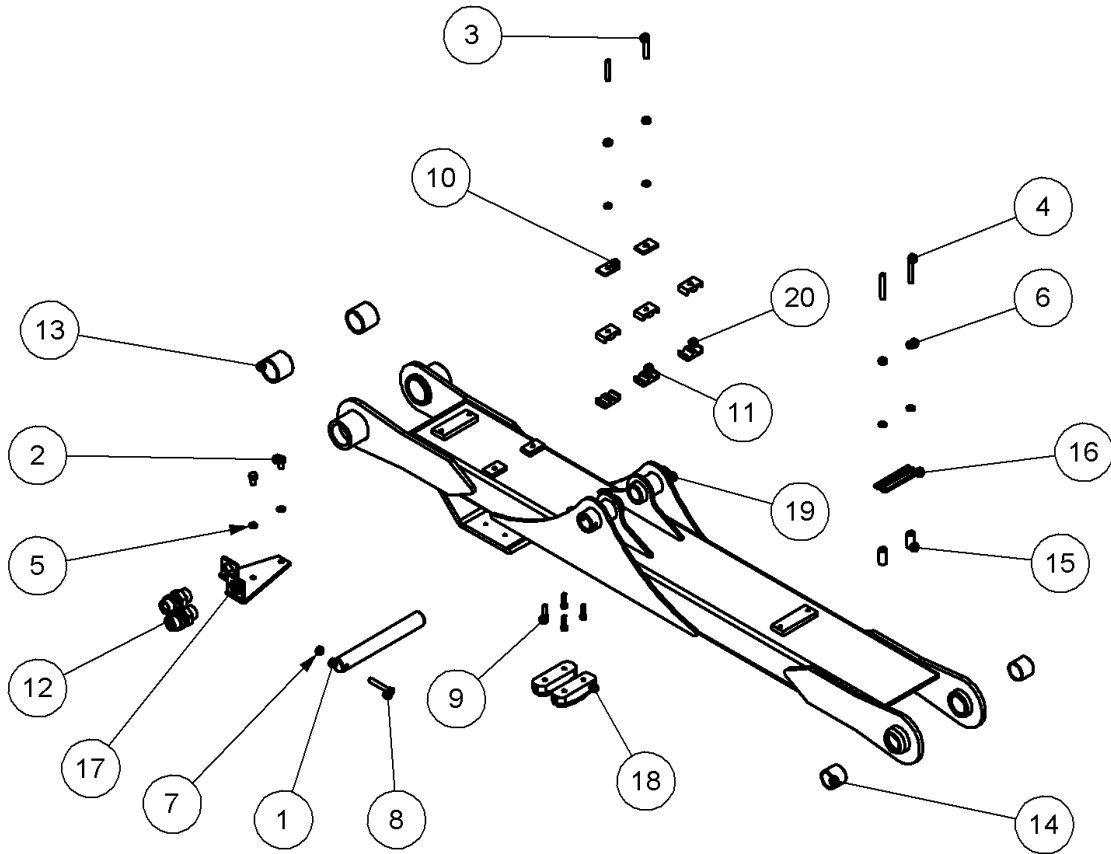


ITEM NO.	PART NUMBER	DESCRIPTION	QTY.
1	03.654.79	PIN 30 DIA X 214	1
2	03.654.89	PIN 30 DIA X 170	1
3	03.655.33	PIN	1
4	04.282.84	STUD M10X95	2
5	05.281.02	FLAT WASHER M10	4
6	05.286.02	NUT M10	2
7	05.287.01	SELF-LOCKING NUT M8	2
8	05.287.02	SELF-LOCKING NUT M10	2
9	05.291.06	BOLT M8x55	2
10	05.291.18	BOLT M10x65	1
11	05.292.11	BOLT M10x80	1
12	05.953.01	GREASE NIPPLE M6xStr	2
13	05.953.04	GREASE NIPPLE M10x90 deg	1
14	06.418.05	CLAMP PLATE 95 x 6	2
15	45630.01	HOSE CLAMP-PLASTIC	2
16	08.297.02	BUSH 47x40x40	2
17	30.217.76	30.217.76	2
18	43292.34	PIN DIA. 40 - 270	1
19	46421.02	ARM - 2ND RH HAWK 4.8P	1
20	46430.02	GUARD - 2nd ARM RH 4.8P	1
21	9100025	M10 DOME NUT	2

PARALLEL LINK ASSY HAWK - 77.200.03

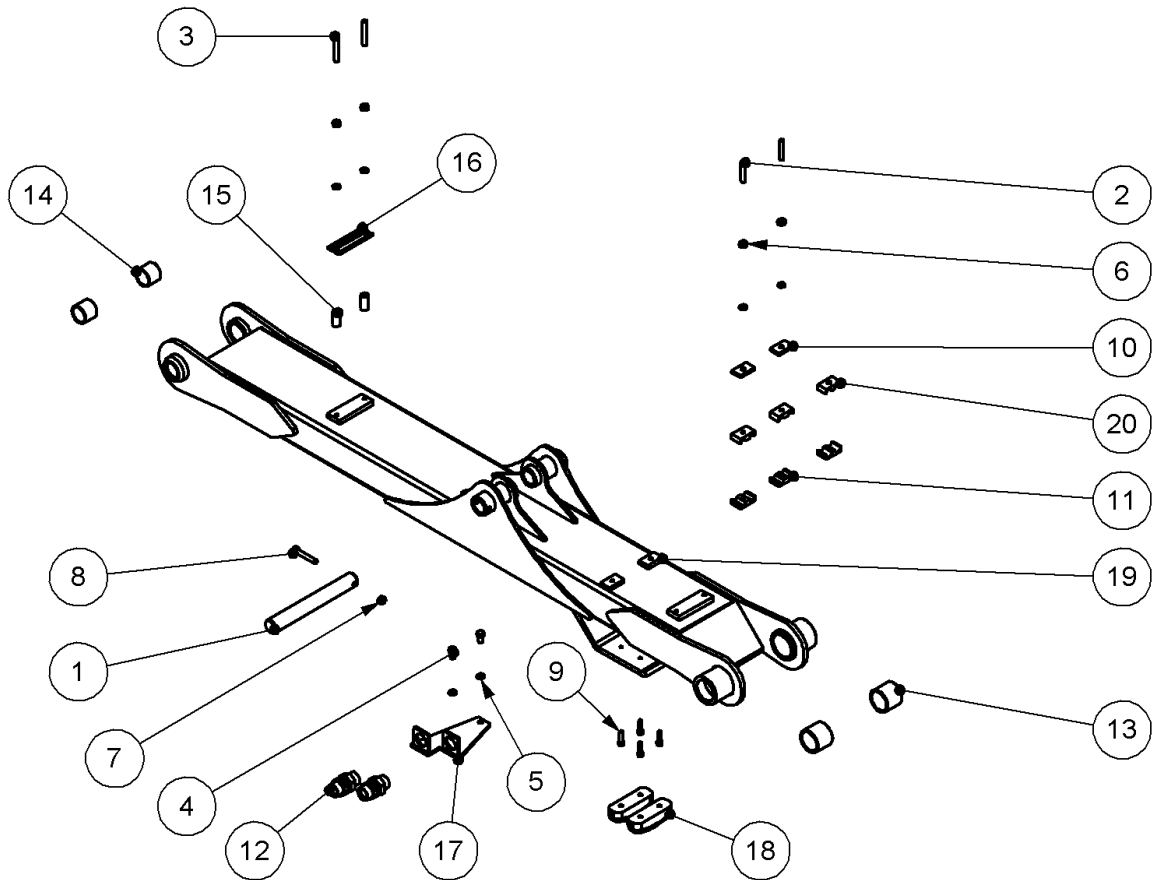


ARM ASSY 1st LH HAWK - 77.199.01



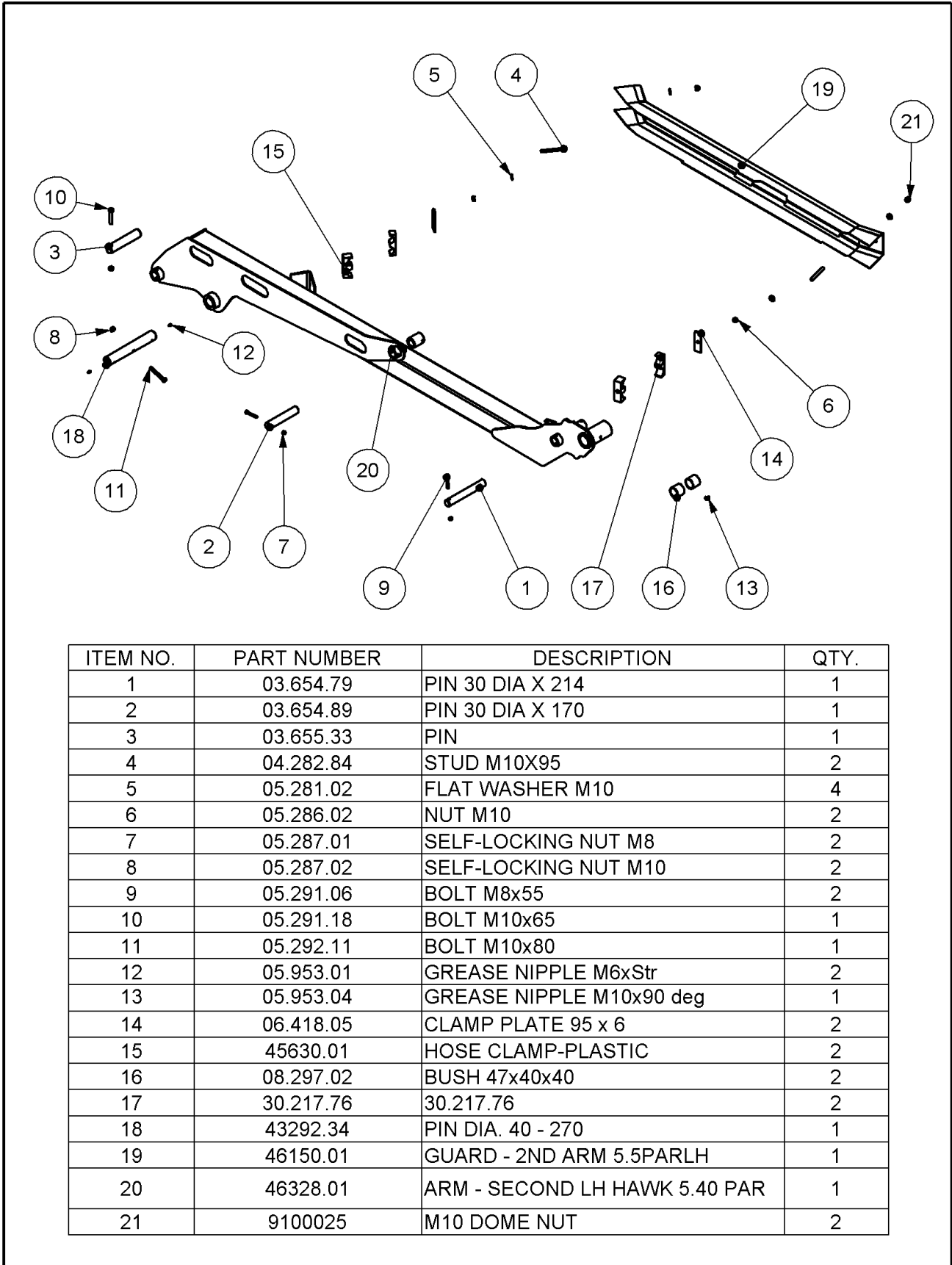
ITEM NO.	PART NUMBER	DESCRIPTION	QTY.
1	03.655.55	PIN 35 DIA	1
2	05.264.11	SETSCREW M10x20	2
3	04.282.66	STUD M10x56	2
4	04.282.76	STUD M10X70	2
5	05.282.02	SPRING WASHER M10	6
6	05.286.02	NUT M10	4
7	05.287.02	SELF-LOCKING NUT M10	1
8	05.291.18	BOLT M10x65	1
9	05.625.37	SKT CAPSCREW M8x30	4
10	06.418.06	FLAT	2
11	06.430.02	HOSE CLAMP 14 x 14	4
12	08.128.03	BULKHEAD FITTING 1" BSP	2
13	08.297.01	BUSH 60x50x50	2
14	08.297.02	BUSH 47x40x40	2
15	45529.01	SPACER	2
16	45531.01	CLAMP	1
17	46099.01	BRACKET - HOSE MOUNTING LH	1
18	46237.01	BUFFER - RUBBER	2
19	46321.01	ARM - FIRST LH 5.4 PARA	1
20	06.430.07	CLAMP - HOSE	2

ARM ASSY-1st RH HAWK - 77.199.02



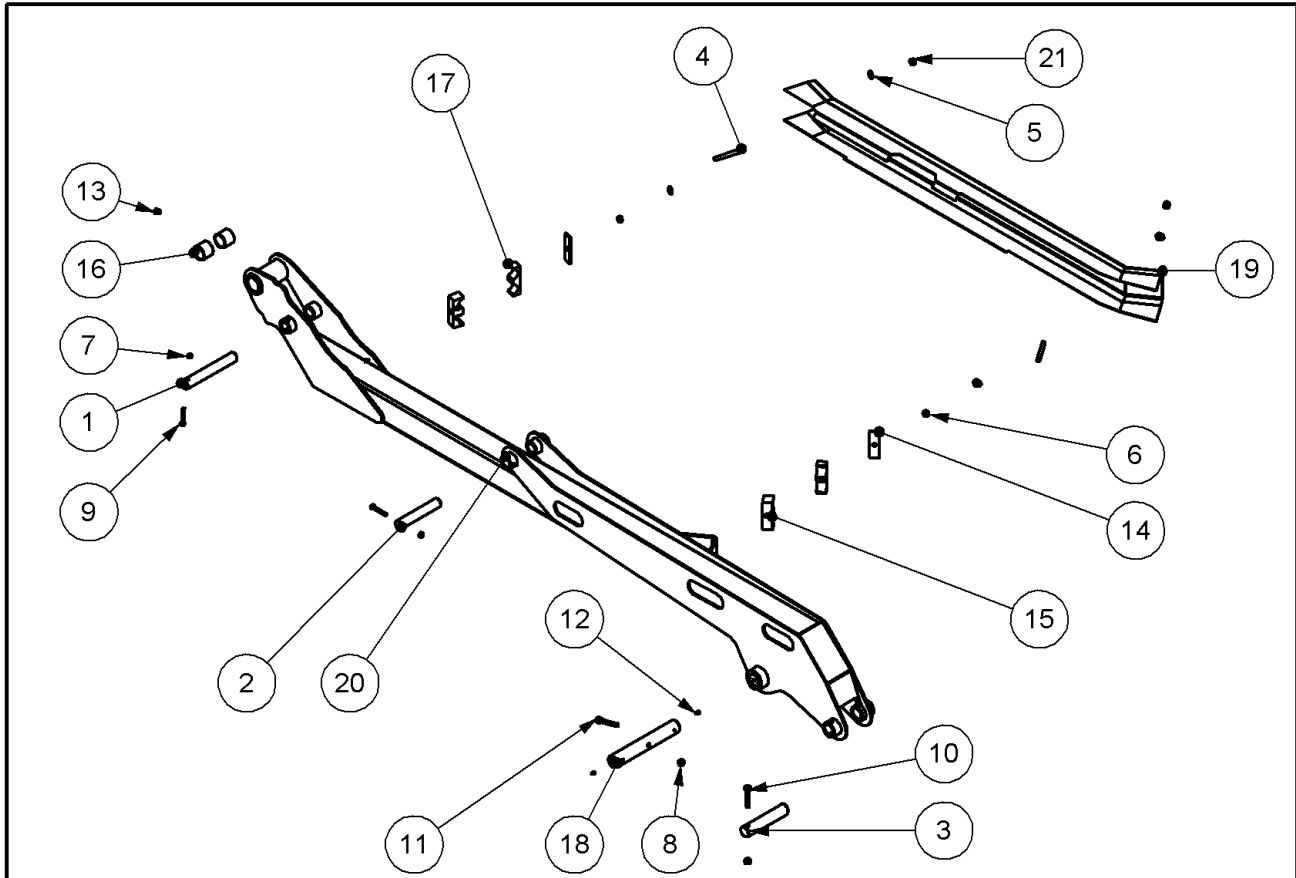
ITEM NO.	PART NUMBER	DESCRIPTION	QTY.
1	03.655.55	PIN 35 DIA	1
2	04.282.66	STUD M10x56	2
3	04.282.76	STUD M10X70	2
4	05.264.11	SETSCREW M10x20	2
5	05.282.02	SPRING WASHER M10	6
6	05.286.02	NUT M10	4
7	05.287.02	SELF-LOCKING NUT M10	1
8	05.291.18	BOLT M10x65	1
9	05.625.37	SKT CAPSCREW M8x30	4
10	06.418.06	FLAT	2
11	06.430.02	HOSE CLAMP 14 x 14	4
12	08.128.03	BULKHEAD FITTING 1" BSP	2
13	08.297.01	BUSH 60x50x50	2
14	08.297.02	BUSH 47x40x40	2
15	45529.01	SPACER	2
16	45531.01	CLAMP	1
17	46099.02	BRACKET - HOSE MOUNTING RH	1
18	46237.01	BUFFER - RUBBER	2
19	46321.01	ARM - FIRST LH 5.4 PARA	1
20	06.430.07	CLAMP - HOSE	2

ARM ASSY 2ND LH 5.40 PARA - 77.196.01



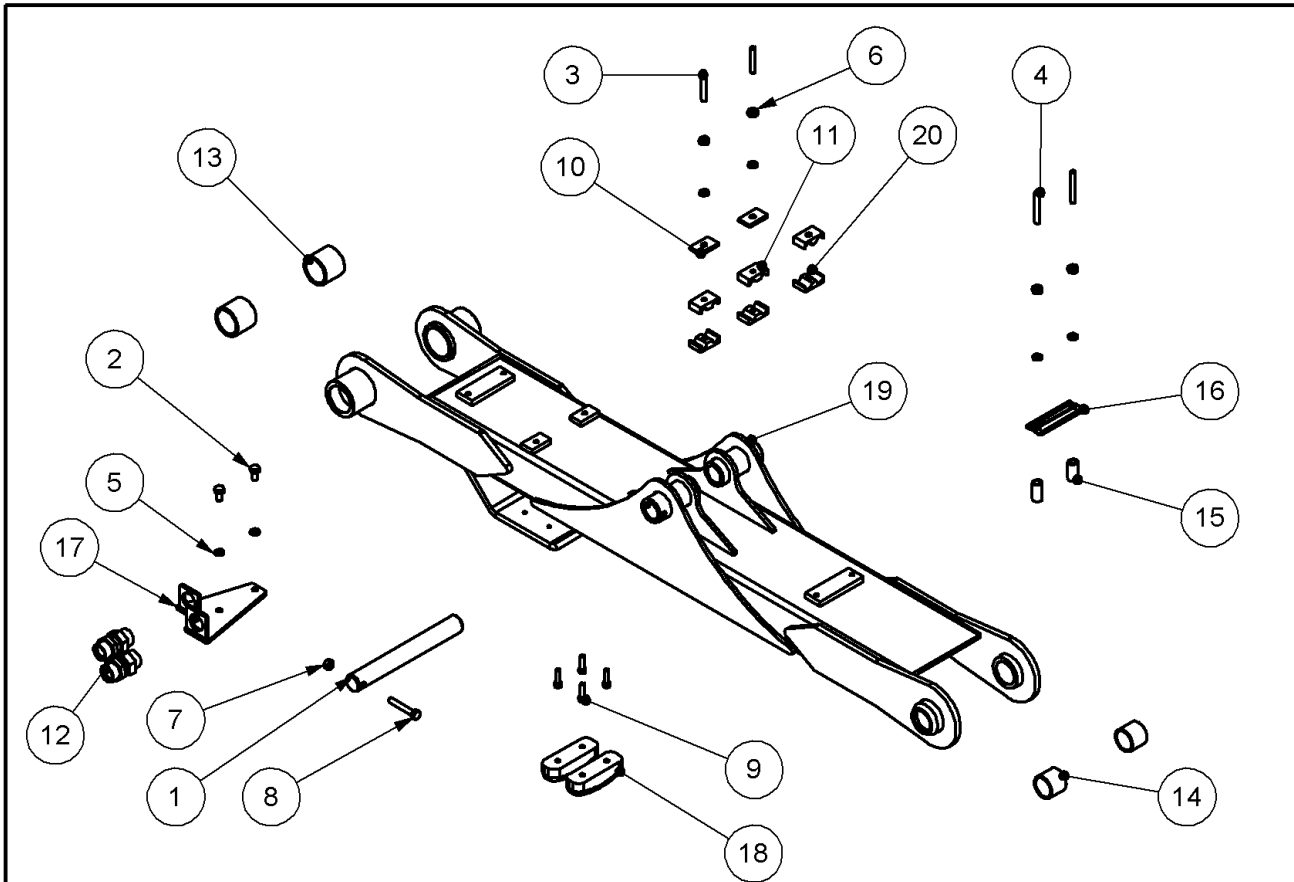
ITEM NO.	PART NUMBER	DESCRIPTION	QTY.
1	03.654.79	PIN 30 DIA X 214	1
2	03.654.89	PIN 30 DIA X 170	1
3	03.655.33	PIN	1
4	04.282.84	STUD M10X95	2
5	05.281.02	FLAT WASHER M10	4
6	05.286.02	NUT M10	2
7	05.287.01	SELF-LOCKING NUT M8	2
8	05.287.02	SELF-LOCKING NUT M10	2
9	05.291.06	BOLT M8x55	2
10	05.291.18	BOLT M10x65	1
11	05.292.11	BOLT M10x80	1
12	05.953.01	GREASE NIPPLE M6xStr	2
13	05.953.04	GREASE NIPPLE M10x90 deg	1
14	06.418.05	CLAMP PLATE 95 x 6	2
15	45630.01	HOSE CLAMP-PLASTIC	2
16	08.297.02	BUSH 47x40x40	2
17	30.217.76	30.217.76	2
18	43292.34	PIN DIA. 40 - 270	1
19	46150.01	GUARD - 2ND ARM 5.5PARLH	1
20	46328.01	ARM - SECOND LH HAWK 5.40 PAR	1
21	910025	M10 DOME NUT	2

ARM ASSY - 2nd RH HAWK 5.4 PAR - 77.196.02



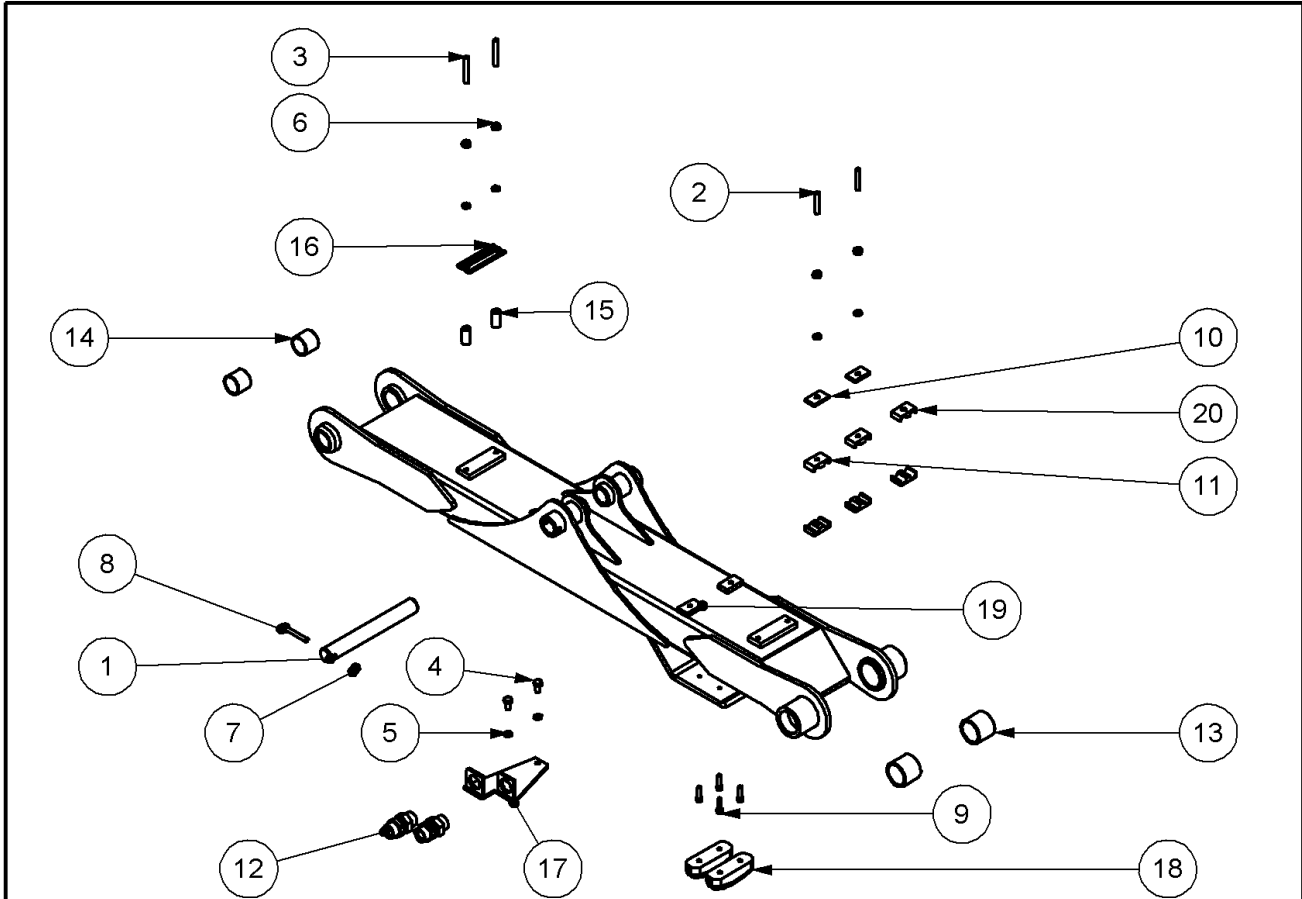
ITEM NO.	PART NUMBER	DESCRIPTION	QTY.
1	03.654.79	PIN 30 DIA X 214	1
2	03.654.89	PIN 30 DIA X 170	1
3	03.655.33	PIN	1
4	04.282.84	STUD M10X95	2
5	05.281.02	FLAT WASHER M10	4
6	05.286.02	NUT M10	2
7	05.287.01	SELF-LOCKING NUT M8	2
8	05.287.02	SELF-LOCKING NUT M10	2
9	05.291.06	BOLT M8x55	2
10	05.291.18	BOLT M10x65	1
11	05.292.11	BOLT M10x80	1
12	05.953.01	GREASE NIPPLE M6xStr	2
13	05.953.04	GREASE NIPPLE M10x90 deg	1
14	06.418.05	CLAMP PLATE 95 x 6	2
15	45630.01	HOSE CLAMP-PLASTIC	2
16	08.297.02	BUSH 47x40x40	2
17	30.217.76	30.217.76	2
18	43292.34	PIN DIA. 40 - 270	1
19	46150.02	GUARD - SECOND RH 5.5 PAR	1
20	46328.02	ARM - 2ND RH HAWK 5.4P	1
21	9100025	M10 DOME NUT	2

ARM ASSY - 1st LH HAWK - 77.199.05



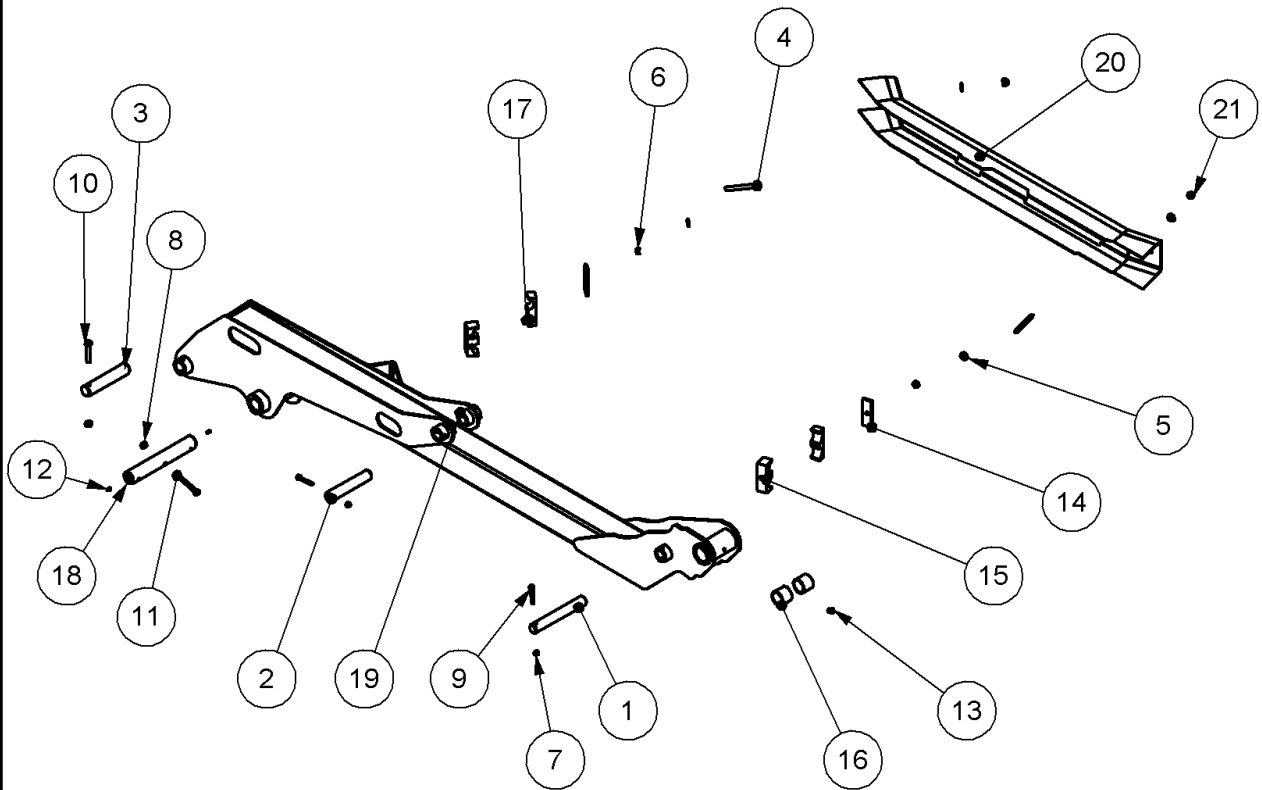
ITEM NO.	PART NUMBER	DESCRIPTION	QTY.
1	03.655.55	PIN 35 DIA	1
2	05.264.11	SETSCREW M10x20	2
3	04.282.66	STUD M10x56	2
4	04.282.76	STUD M10x70	2
5	05.282.02	SPRING WASHER M10	6
6	05.286.02	NUT M10	4
7	05.287.02	SELF-LOCKING NUT M10	1
8	05.291.18	BOLT M10x65	1
9	05.625.37	SKT CAPSCREW M8x30	4
10	06.418.06	FLAT	2
11	06.430.02	HOSE CLAMP 14 x 14	4
12	08.128.03	BULKHEAD FITTING 1" BSP	2
13	08.297.01	BUSH 60x50x50	2
14	08.297.02	BUSH 47x40x40	2
15	45529.01	SPACER	2
16	45531.01	CLAMP	1
17	46099.01	BRACKET - HOSE MOUNTING LH	1
18	46237.01	BUFFER - RUBBER	2
19	46419.01	ARM - 1st HAWK 4.8P	1
20	06.430.07	CLAMP - HOSE	2

ARM ASSY-1st RH HAWK - 77.199.06



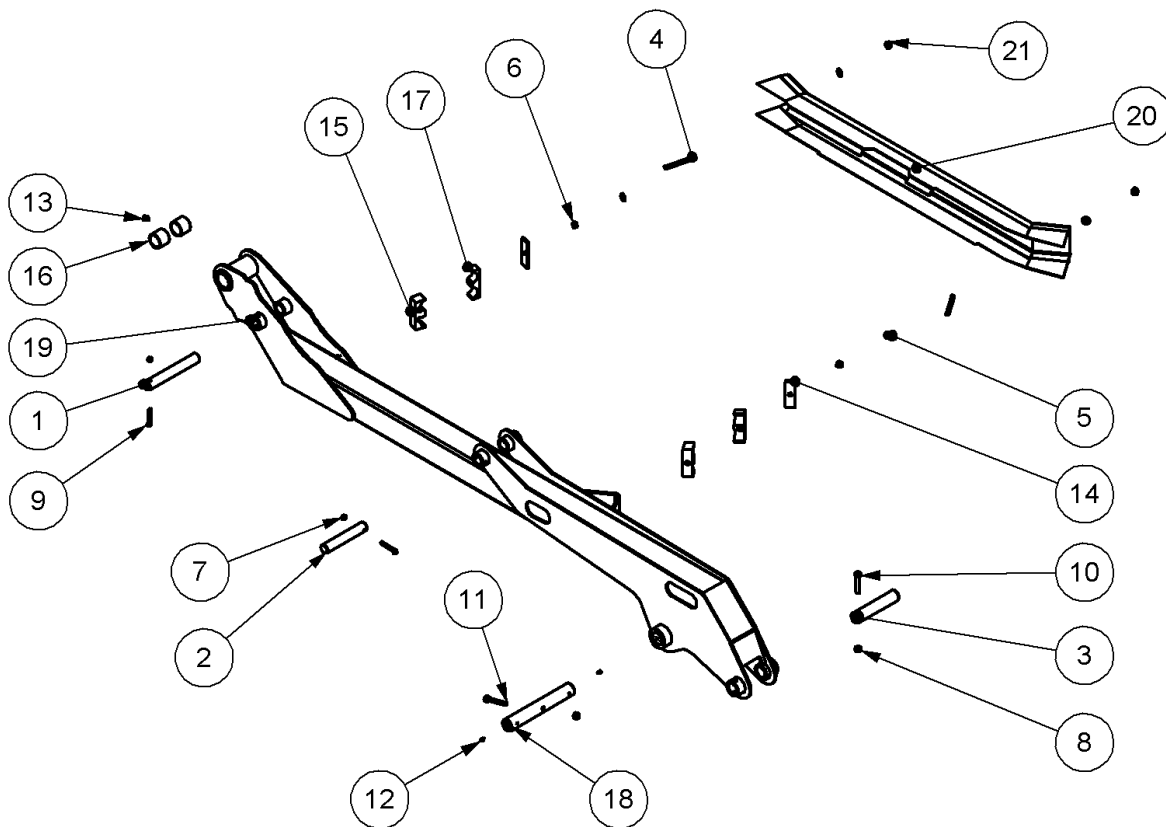
ITEM NO.	PART NUMBER	DESCRIPTION	QTY.
1	03.655.55	PIN 35 DIA	1
2	04.282.66	STUD M10x56	2
3	04.282.76	STUD M10X70	2
4	05.264.11	SETSCREW M10x20	2
5	05.282.02	SPRING WASHER M10	6
6	05.286.02	NUT M10	4
7	05.287.02	SELF-LOCKING NUT M10	1
8	05.291.18	BOLT M10x65	1
9	05.625.37	SKT CAPSCREW M8x30	4
10	06.418.06	FLAT	2
11	06.430.02	HOSE CLAMP 14 x 14	4
12	08.128.03	BULKHEAD FITTING 1" BSP	2
13	08.297.01	BUSH 60x50x50	2
14	08.297.02	BUSH 47x40x40	2
15	45529.01	SPACER	2
16	45531.01	CLAMP	1
17	46099.02	BRACKET - HOSE MOUNTING RH	1
18	46237.01	BUFFER - RUBBER	2
19	46419.01	ARM - 1st HAWK 4.8P	1
20	06.430.07	CLAMP - HOSE	2

ARM ASSY-2nd LH HAWK - 77.196.05



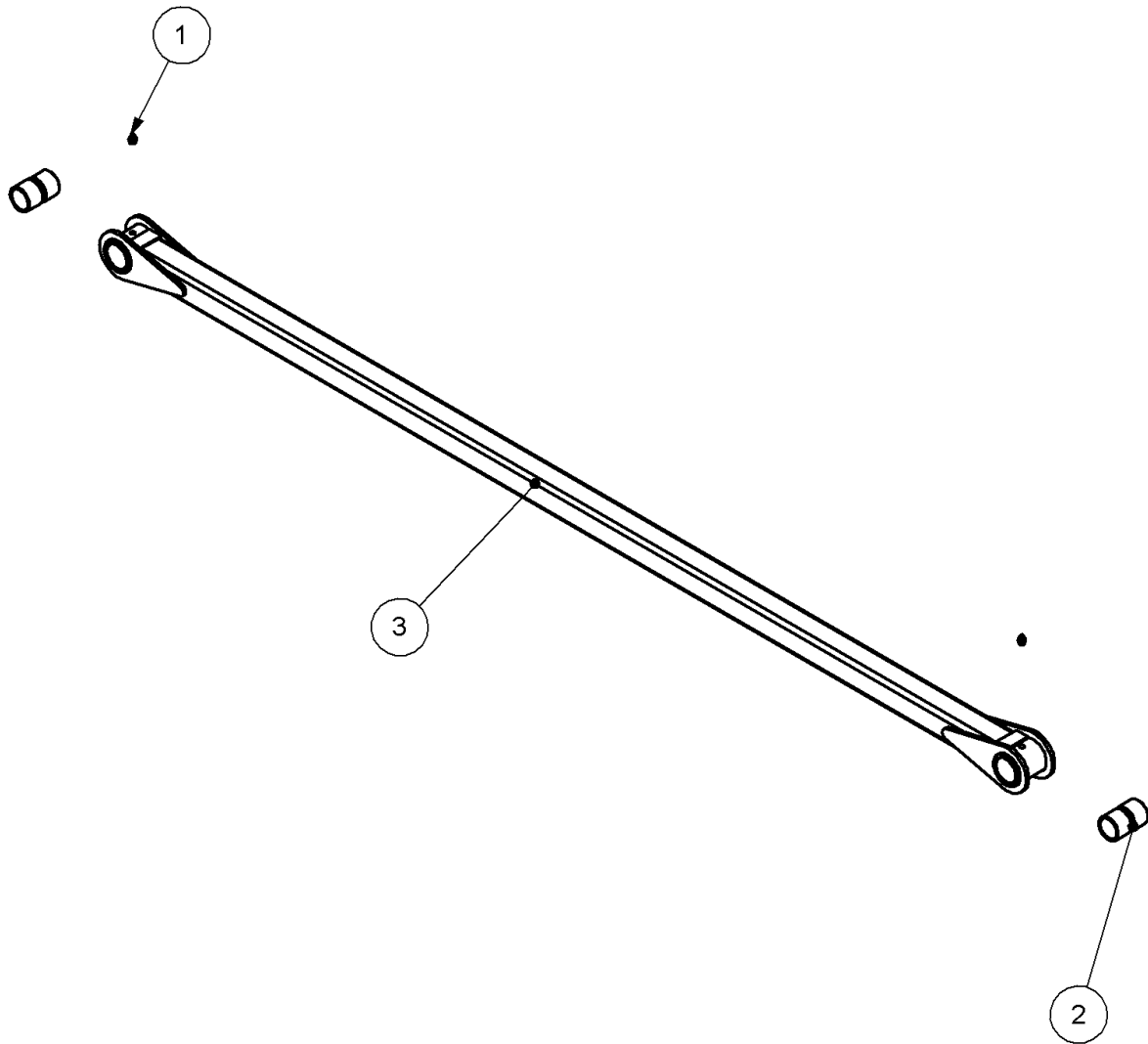
ITEM NO.	PART NUMBER	DESCRIPTION	QTY.
1	03.654.79	PIN 30 DIA X 214	1
2	03.654.89	PIN 30 DIA X 170	1
3	03.655.33	PIN	1
4	04.282.84	STUD M10X95	2
5	05.281.02	FLAT WASHER M10	4
6	05.286.02	NUT M10	2
7	05.287.01	SELF-LOCKING NUT M8	2
8	05.287.02	SELF-LOCKING NUT M10	2
9	05.291.06	BOLT M8x55	2
10	05.291.18	BOLT M10x65	1
11	05.292.11	BOLT M10x80	1
12	05.953.01	GREASE NIPPLE M6xStr	2
13	05.953.04	GREASE NIPPLE M10x90 deg	1
14	06.418.05	CLAMP PLATE 95 x 6	2
15	45630.01	HOSE CLAMP-PLASTIC	4
16	08.297.02	BUSH 47x40x40	2
17	30.217.76	30.217.76	2
18	43292.34	PIN DIA. 40 - 270	1
19	46421.01	ARM - 2nd LH HAWK 4.8P	1
20	46430.01	GUARD - 2nd ARM LH 4.8P	1
21	9100025	M10 DOME NUT	2

ARM ASSY - 2nd RH HAWK 4.8 PAR - 77.196.06



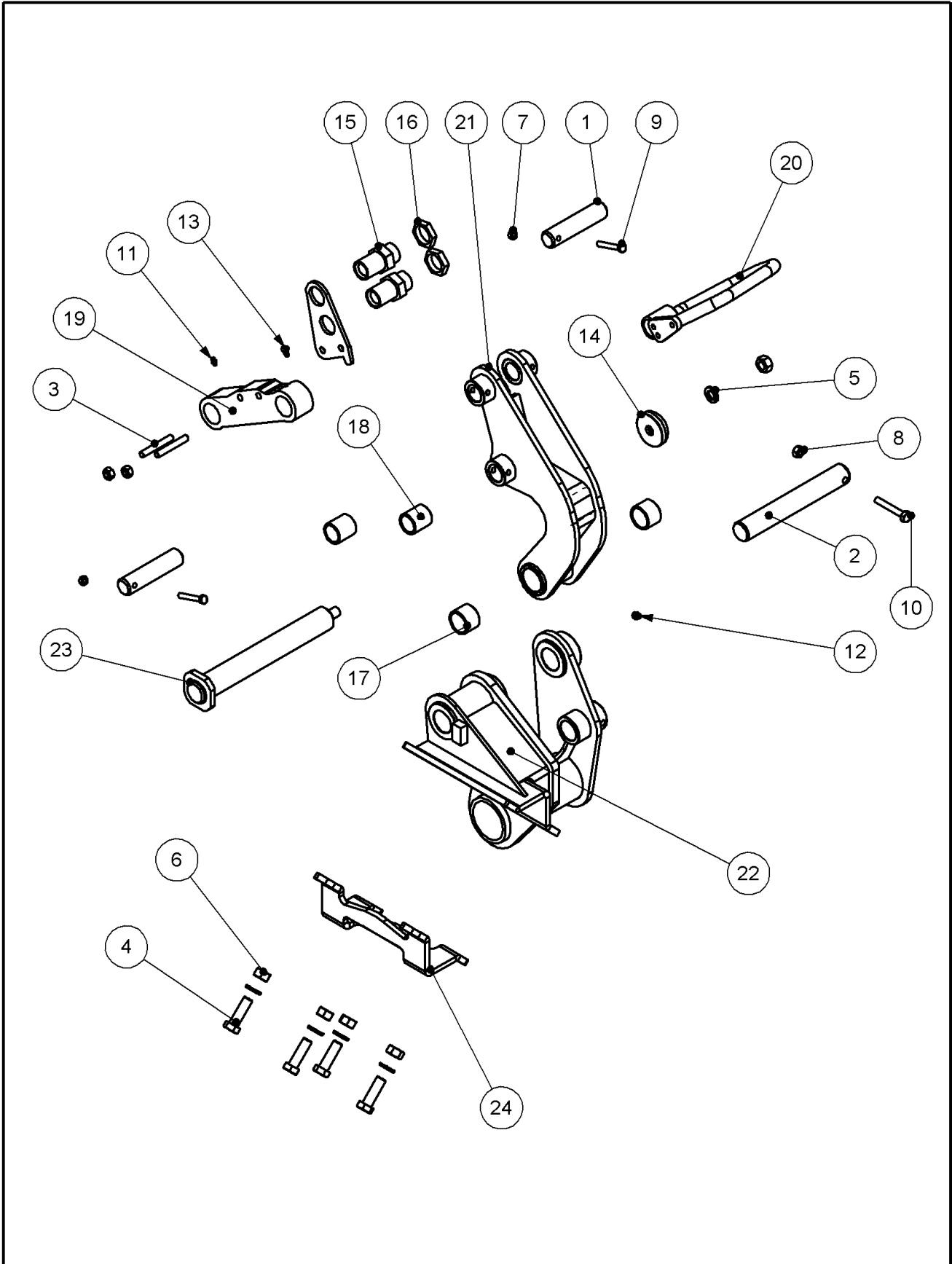
ITEM NO.	PART NUMBER	DESCRIPTION	QTY.
1	03.654.79	PIN 30 DIA X 214	1
2	03.654.89	PIN 30 DIA X 170	1
3	03.655.33	PIN	1
4	04.282.84	STUD M10X95	2
5	05.281.02	FLAT WASHER M10	4
6	05.286.02	NUT M10	2
7	05.287.01	SELF-LOCKING NUT M8	2
8	05.287.02	SELF-LOCKING NUT M10	2
9	05.291.06	BOLT M8x55	2
10	05.291.18	BOLT M10x65	1
11	05.292.11	BOLT M10x80	1
12	05.953.01	GREASE NIPPLE M6xStr	2
13	05.953.04	GREASE NIPPLE M10x90 deg	1
14	06.418.05	CLAMP PLATE 95 x 6	2
15	45630.01	HOSE CLAMP-PLASTIC	2
16	08.297.02	BUSH 47x40x40	2
17	30.217.76	30.217.76	2
18	43292.34	PIN DIA. 40 - 270	1
19	46421.02	ARM - 2ND RH HAWK 4.8P	1
20	46430.02	GUARD - 2nd ARM RH 4.8P	1
21	9100025	M10 DOME NUT	2

PARALLEL LINK ASSEM. - 77.200.01



ITEM NO.	PART NUMBER	DESCRIPTION	QTY.
1	05.953.03	GREASE NIPPLE M10xStr	2
2	08.297.05	BUSH 42x35x30	4
3	46322.01	LINK	1

COWL BRKT ASSY LH - 77.182.01

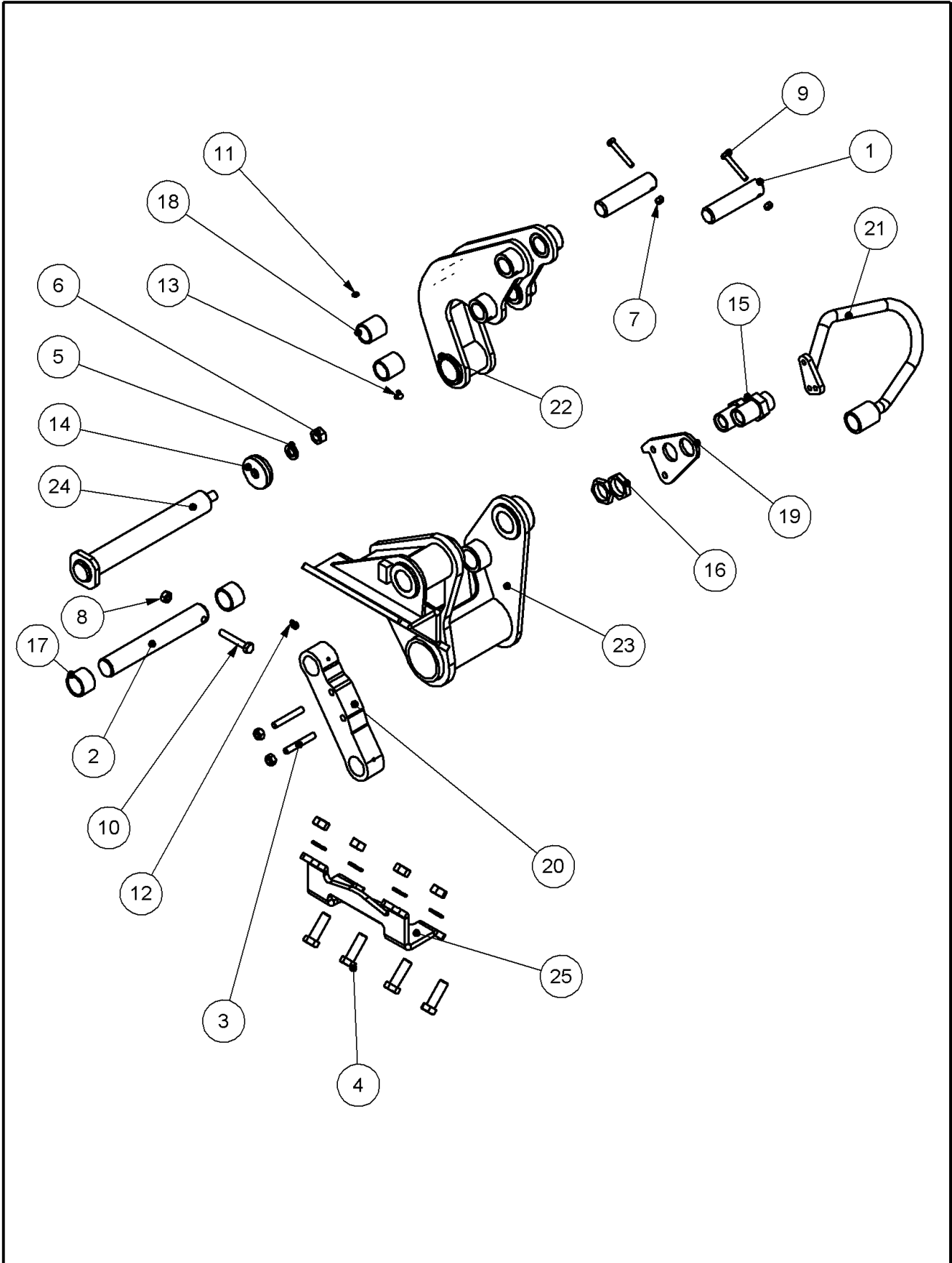


COWL BRKT ASSY LH - 77.182.01

COWL BRACKET ASSY LH HAWK - 77.182.01

ITEM NO.	PART NUMBER	DESCRIPTION	QTY.
1	03.654.59	PIN 30 DIA X 128	2
2	03.655.63	PIN - 35 DIA. x 240	1
3	04.282.76	STUD M10X70	2
4	05.264.37	SETSCREW M16x50	4
5	05.282.04	SPRING WASHER M16	5
6	05.286.04	NUT M16	5
7	05.287.01	SELF-LOCKING NUT M8	2
8	05.287.02	SELF-LOCKING NUT M10	3
9	05.291.06	BOLT M8x55	2
10	05.291.18	BOLT M10x65	1
11	05.953.01	GREASE NIPPLE M6xStr	1
12	05.953.03	GREASE NIPPLE M10xStr	1
13	05.953.05	GREASE NIPPLE M6x90 deg	1
14	07.942.03	SPECIAL WASHER - M16	1
15	08.128.03-32		2
16	08.128.03-31	NUT 1" BSP THIN	2
17	08.297.05	BUSH 42x35x30	2
18	08.297.10	BUSH 37x30x40	2
19	45491.01	PLATE	1
20	45950.01	LINK - COWL	1
21	45954.01	GUARD - BULKHEAD	1
22	46090.01	LINK - COWL	1
23	46250.01	BRACKET - COWL LH	1
24	46251.01	PIN COWL PIVOT 40 DIA.	1
25	46273.01	CLAMPING PLATE	1

COWL BRKT ASSY RH - 77.182.02

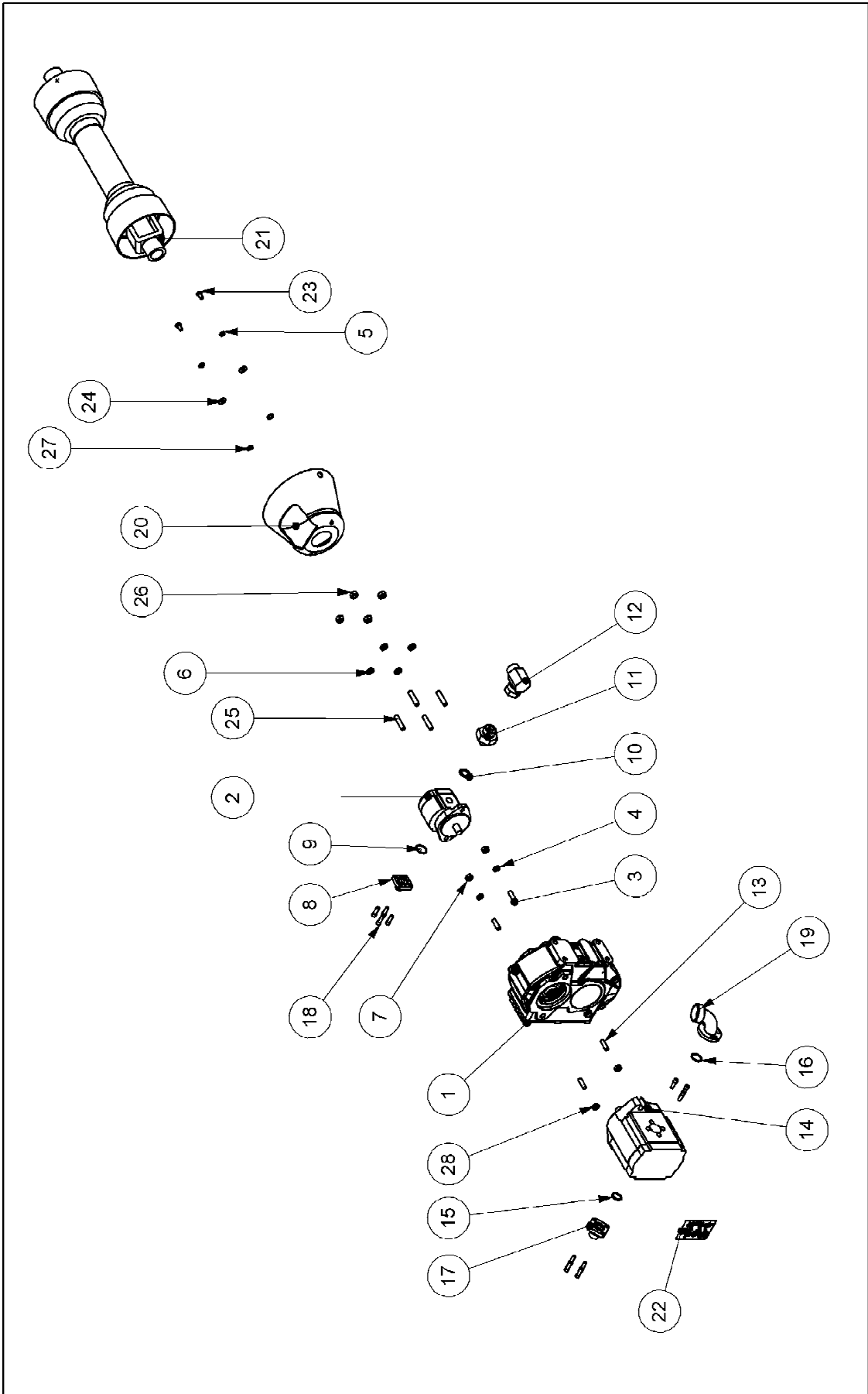


COWL BRKT ASSY RH - 77.182.02

COWL BRACKET ASSY RH HAWK - 77.182.02

ITEM NO.	PART NUMBER	DESCRIPTION	QTY.
1	03.654.59	PIN 30 DIA X 128	2
2	03.655.63	PIN - 35 DIA. x 240	1
3	04.282.76	STUD M10X70	2
4	05.264.37	SETSCREW M16x50	4
5	05.282.04	SPRING WASHER M16	5
6	05.286.04	NUT M16	5
7	05.287.01	SELF-LOCKING NUT M8	2
8	05.287.02	SELF-LOCKING NUT M10	3
9	05.291.06	BOLT M8x55	2
10	05.291.18	BOLT M10x65	1
11	05.953.01	GREASE NIPPLE M6xStr	1
12	05.953.03	GREASE NIPPLE M10xStr	1
13	05.953.05	GREASE NIPPLE M6x90 deg	1
14	07.942.03	SPECIAL WASHER - M16	1
15	08.128.03-32		2
16	08.128.03-31	NUT 1" BSP THIN	2
17	08.297.05	BUSH 42x35x30	2
18	08.297.10	BUSH 37x30x40	2
19	45491.01	PLATE	1
20	45950.01	LINK - COWL	1
21	45954.01	GUARD - BULKHEAD	1
22	46090.01	LINK - COWL	1
23	46250.02	BRACKET - COWL RH	1
24	46251.01	PIN COWL PIVOT 40 DIA.	1
25	46273.01	CLAMPING PLATE	1

PTO/G'BOX/PUMPS CABLE - 77.211.01



PTO/G'BOX/PUMPS CABLE - 77.211.01

PTO/G'BOX/PUMP ASSY CABLE 9069 - 77.211.01

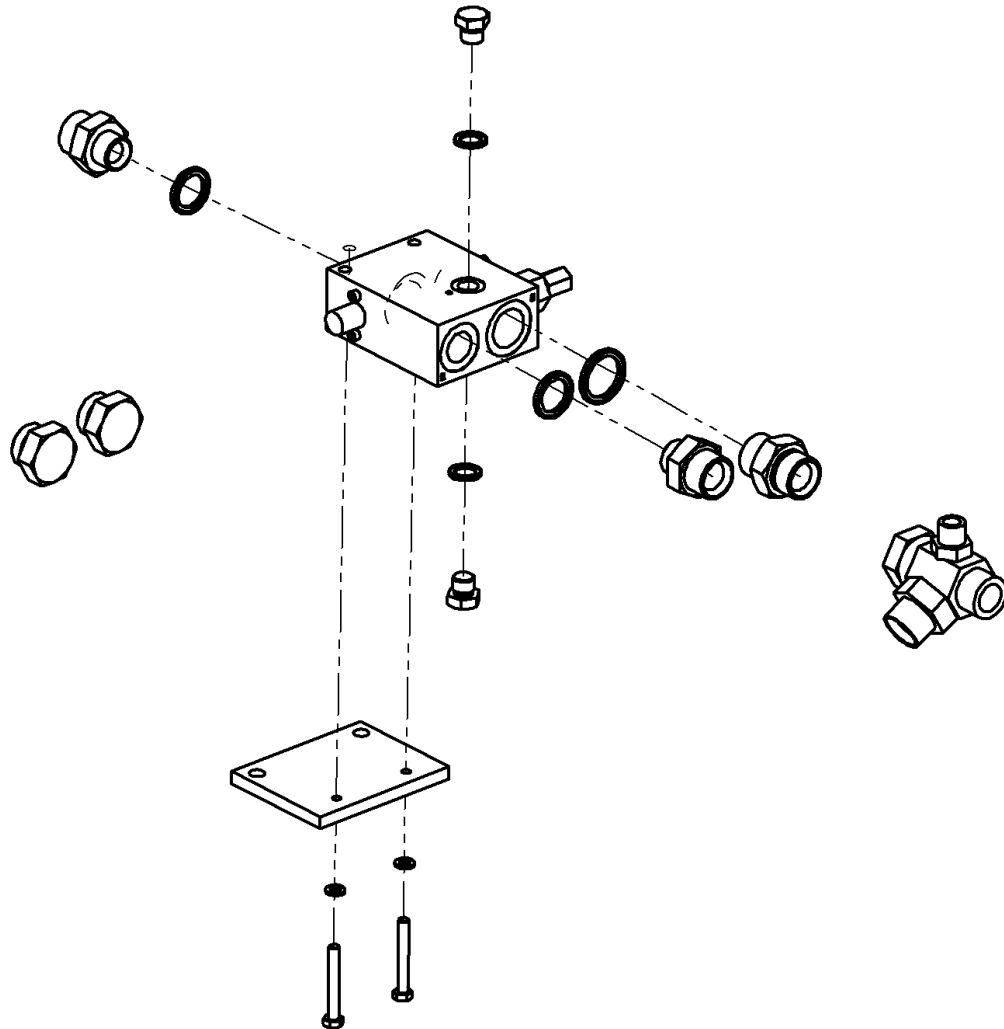
ITEM NO.	PART NUMBER	DESCRIPTION	QTY.
1	47487.04	GEARBOX 3.6 : 1	1
2	09.537.21	PUMP GEAR 1PX070	1
3	03.100.01	STUD M10x34	2
4	05.282.02	SPRING WASHER M10	2
5	05.282.01	SPRING WASHER M8	2
6	05.282.03	SPRING WASHER M12	4
7	05.286.02	NUT M10	2
8	09.745.01	ADAPTOR FLANGE 3/8"	1
9	30.210.92	O RING 200-121-4490	1
10	05.290.05	BONDED SEAL 1/2" BSP	1
11	30.059.84	ADAPTOR	1
12	05.835.02	90 ADAPTOR M/F SWIVEL	1
13	03.100.02	STUD M10 X 32	2
14	05.650.05	PUMP 333.9111.244	1
15	05.656.03	O RING 25 I/D X 3.53	1
16	05.656.01	O RING 28 I/D X 2.5	1
17	03.864.01	03.864.01	1
18	05.657.01	SOCKET CAPSCREW 5/16" X 7/8	11
19	42588.02	ADAPTOR - FLANGED	1
20	08.548.02	PLASTIC GUARD	1
21	41624.01	PTO (560CC) T50 SERIES	1
22	46749.02	BIMA GBOX DECAL	1
23	05.839.03	SETSCREW M8X16	2
24	05.281.01	FLAT WASHER M8	2
25	04.282.74	M12 x 39 STUD	4
26	05.968.03	SELF-LOCKING NUT M12	4
27	05.283.02	SHAKEPROOF WASHER 10M	2
28	9133005	M10 THIN PLAIN NUT	4

* 42693.21 - SEAL KIT FOR 42693.04 GEARBOX

* 46078.02 - SEAL SET FOR 46078.01

* 09.537.25 - SEAL KIT FOR PUMP 09.537.01

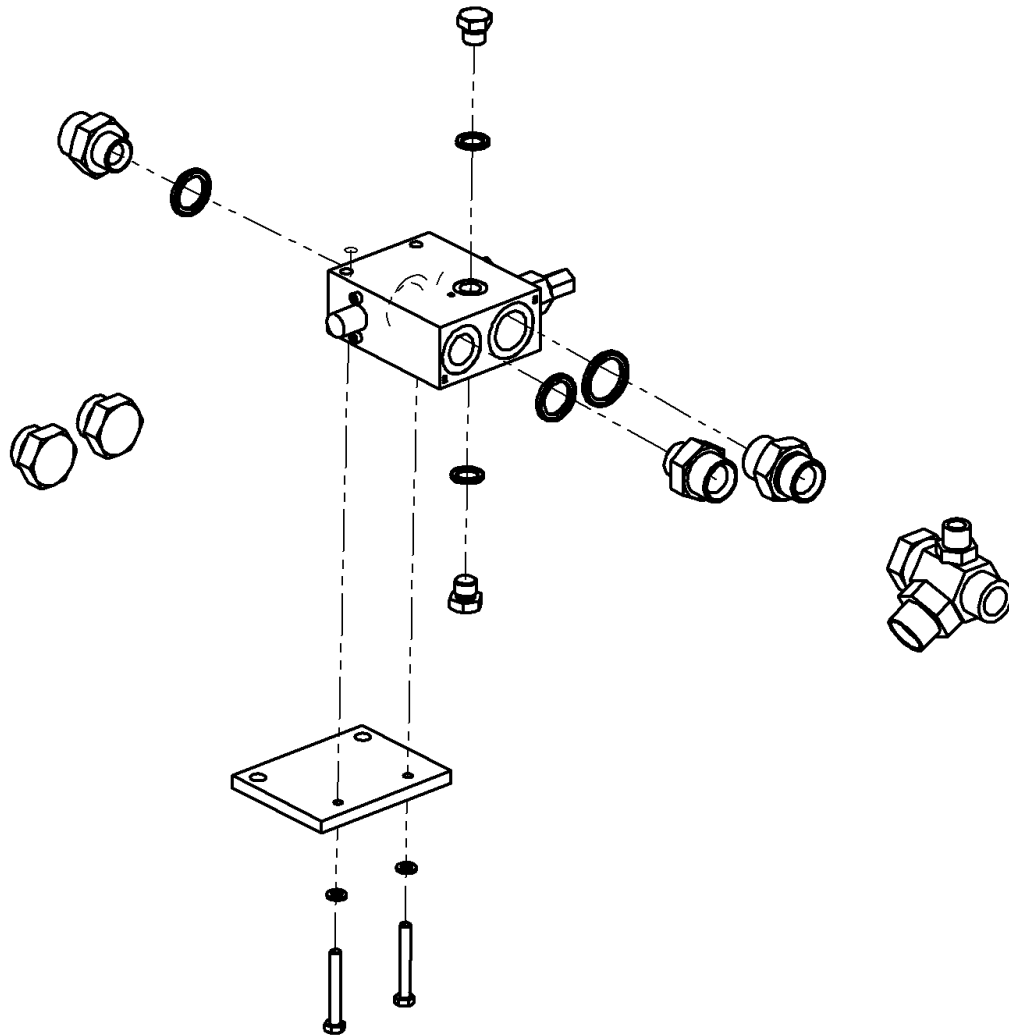
PUMP CIRCUIT CABLE - 77.126.02



* 06.284.25 - SEAL KIT FOR 06.284.16

ITEM NO.	PART NUMBER	DESCRIPTION	QTY.
1	06.284.16	DIVERTOR / RELIEF ASSY 209 BAR	1
2	46058.01	PLATE - VALVE MOUNTING	1
3	05.290.07	BONDED SEAL 1" BSP	1
4	05.290.06	BONDED SEAL 3/4" BSP	2
5	05.290.04	BONDED SEAL 3/8" BSP	2
6	05.291.07	BOLT M8x60	2
7	05.282.01	SPRING WASHER M8	2
8	05.434.01	ADAPTOR 1"BSP MM	3
9	05.373.01	ADAPTOR 3/4"BSPx1"BSP	2
10	05.433.01	PLUG 3/8"BSP	2
11	05.433.03	PLUG 1" BSP	2
12	04.056.02	ADAPTOR	1

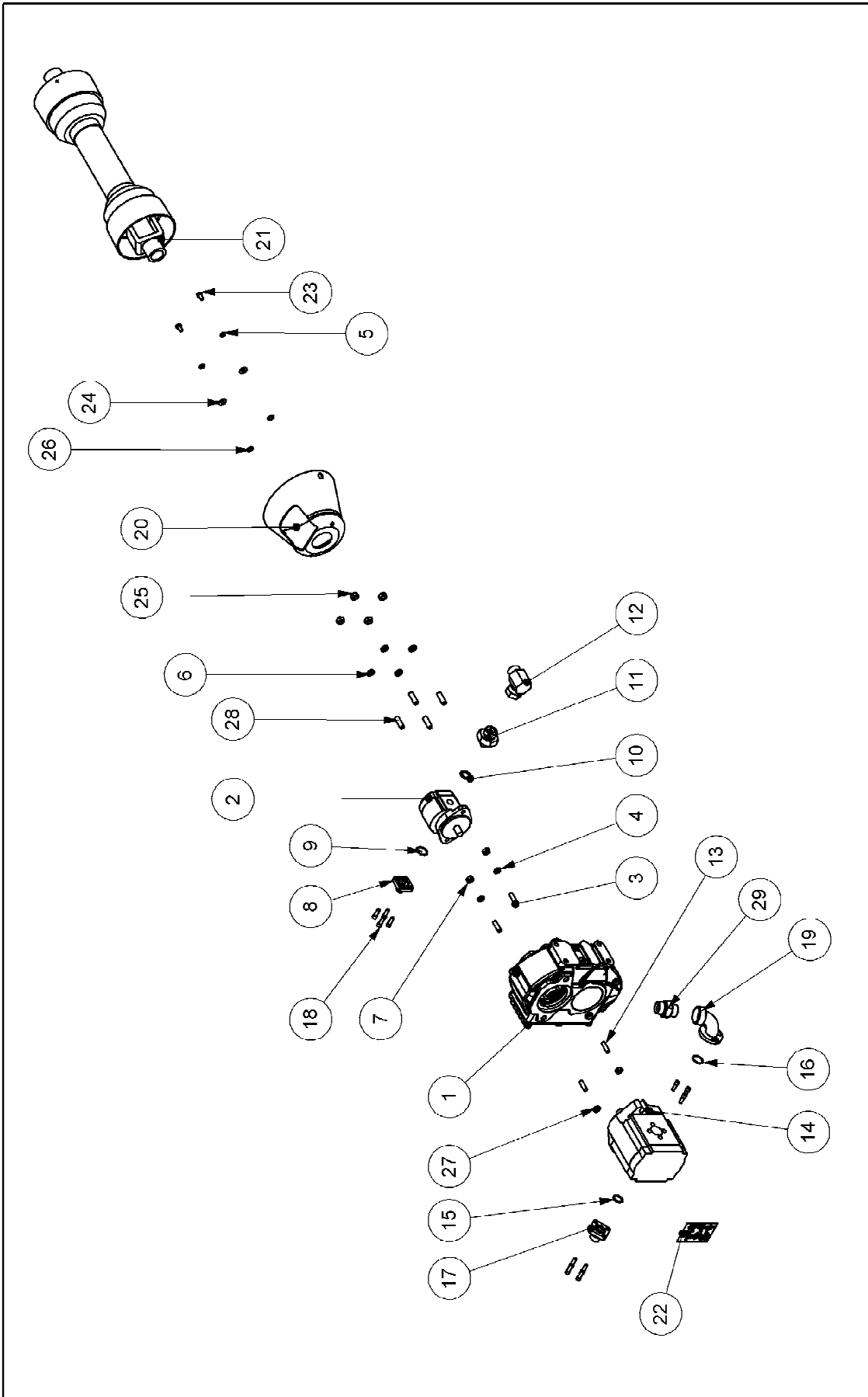
PUMP CIRCUIT CABLE - 77.126.06



* 06.284.25 - SEAL KIT FOR 06.284.16

ITEM NO.	PART NUMBER	DESCRIPTION	QTY.
1	06.284.16	DIVERTOR / RELIEF ASSY 209 BAR	1
2	46058.01	PLATE - VALVE MOUNTING	1
3	05.290.07	BONDED SEAL 1" BSP	1
4	05.290.06	BONDED SEAL 3/4" BSP	2
5	05.290.04	BONDED SEAL 3/8" BSP	2
6	05.291.07	BOLT M8x60	2
7	05.282.01	SPRING WASHER M8	2
8	05.434.01	ADAPTOR 1"BSP MM	3
9	05.373.01	ADAPTOR 3/4"BSPx1"BSP	2
10	05.433.01	PLUG 3/8"BSP	2
11	05.433.03	PLUG 1" BSP	2
12	04.056.47	ADAPTOR	1

PTO/G/BOX/PUMP ASSY ELECTRIC - 77.2111.02



PTO/G'BOX/PUMP ASSY ELECTRIC - 77.211.02

PTO/G'BOX/PUMP ASSY CABLE 9069 - 77.211.02

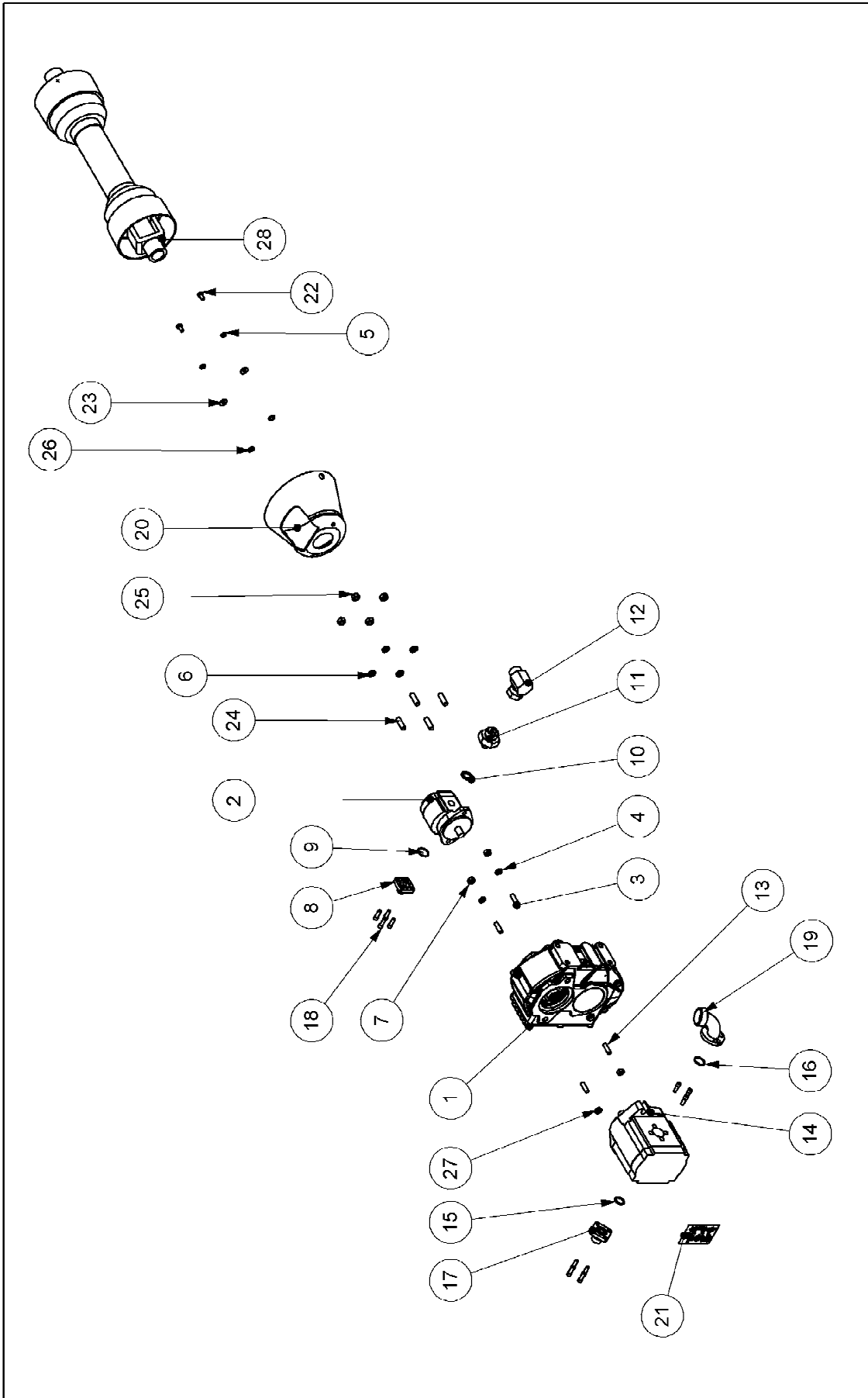
ITEM NO.	PART NUMBER	DESCRIPTION	QTY.
1	47487.04	GEARBOX 3.6 : 1	1
2	09.537.21	PUMP GEAR 1PX070	1
3	03.100.01	STUD M10x34	2
4	05.282.02	SPRING WASHER M10	2
5	05.282.01	SPRING WASHER M8	2
6	05.282.03	SPRING WASHER M12	4
7	05.286.02	NUT M10	2
8	09.745.01	ADAPTOR FLANGE 3/8"	1
9	30.210.92	O RING 200-121-4490	1
10	05.290.05	BONDED SEAL 1/2" BSP	1
11	30.059.84	ADAPTOR	1
12	05.835.02	90 ADAPTOR M/F SWIVEL	1
13	03.100.02	STUD M10 X 32	2
14	05.650.05	PUMP 333.9111.244	1
15	05.656.03	O RING 25 I/D X 3.53	1
16	05.656.01	O RING 28 I/D X 2.5	1
17	03.864.01	03.864.01	1
18	05.657.01	SOCKET CAPSCREW 5/16" X 7/8	11
19	42588.02	ADAPTOR - FLANGED	1
20	08.548.02	PLASTIC GUARD	1
21	41624.01	PTO (560CC) T50 SERIES	1
22	46749.02	BIMA GBOX DECAL	1
23	05.839.03	SETSCREW M8X16	2
24	05.281.01	FLAT WASHER M8	2
25	05.968.03	SELF-LOCKING NUT M12	4
26	05.283.02	SHAKEPROOF WASHER 10M	2
27	9133005	M10 THIN PLAIN NUT	4
28	04.174.01	M12 x 38 STUD	4
29	05.434.01	ADAPTOR 1"BSP MM	1

* 42693.21 - SEAL KIT FOR 42693.04 GEARBOX

* 46078.02 - SET SET

* 09.537.25 -SEAL KIT FOR PUMP 09.537.01

PTO/GEARBOX/PUMP CABLE - 77.211.03



PTO/GEARBOX/PUMP CABLE - 77.211.03

PTO/G'BOX/PUMP ASSY CABLE 9069 - 77.211.03

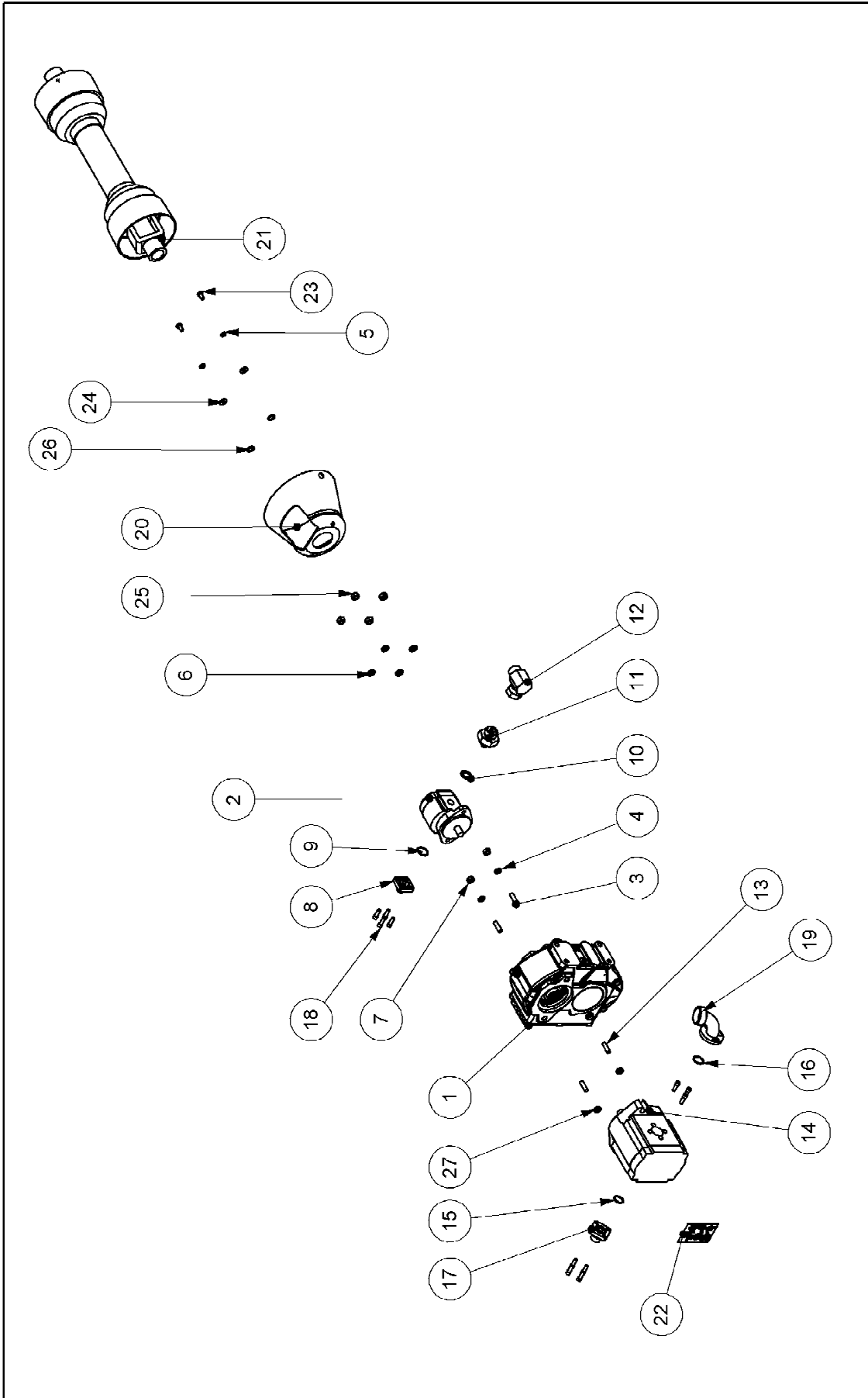
ITEM NO.	PART NUMBER	DESCRIPTION	QTY.
1	47487.04	GEARBOX 3.6 : 1	1
2	09.537.21	PUMP GEAR 1PX070	1
3	03.100.01	STUD M10x34	2
4	05.282.02	SPRING WASHER M10	2
5	05.282.01	SPRING WASHER M8	2
6	05.282.03	SPRING WASHER M12	4
7	05.286.02	NUT M10	2
8	09.745.01	ADAPTOR FLANGE 3/8"	1
9	30.210.92	O RING 200-121-4490	1
10	05.290.05	BONDED SEAL 1/2" BSP	1
11	30.059.84	ADAPTOR	1
12	05.835.02	90 ADAPTOR M/F SWIVEL	1
13	03.100.02	STUD M10 X 32	2
14	05.650.05	PUMP 333.9111.244	1
15	05.656.03	O RING 25 I/D X 3.53	1
16	05.656.01	O RING 28 I/D X 2.5	1
17	03.864.01	03.864.01	1
18	05.657.01	SOCKET CAPSCREW 5/16" X 7/8	11
19	42588.02	ADAPTOR - FLANGED	1
20	08.548.02	PLASTIC GUARD	1
21	46749.02	BIMA GBOX DECAL	1
22	05.839.03	SETSCREW M8X16	2
23	05.281.01	FLAT WASHER M8	2
24	04.174.01	M12 x 38 STUD	4
25	05.968.03	SELF-LOCKING NUT M12	4
26	05.283.02	SHAKEPROOF WASHER 10M	2
27	9133005	M10 THIN PLAIN NUT	4
28	04.402.01	PTO SHAFT ASSY 560MM	1

* 42693.21 - SEAL KIT FOR 42693.04 GEARBOX

* 46078.02 - SEAL SET FOR 46078.01

* 09.537.25 - SEAL KIT FOR PUMP 09.537.01

PTO/GEARBOX/PUMP CABLE - 77.211.04

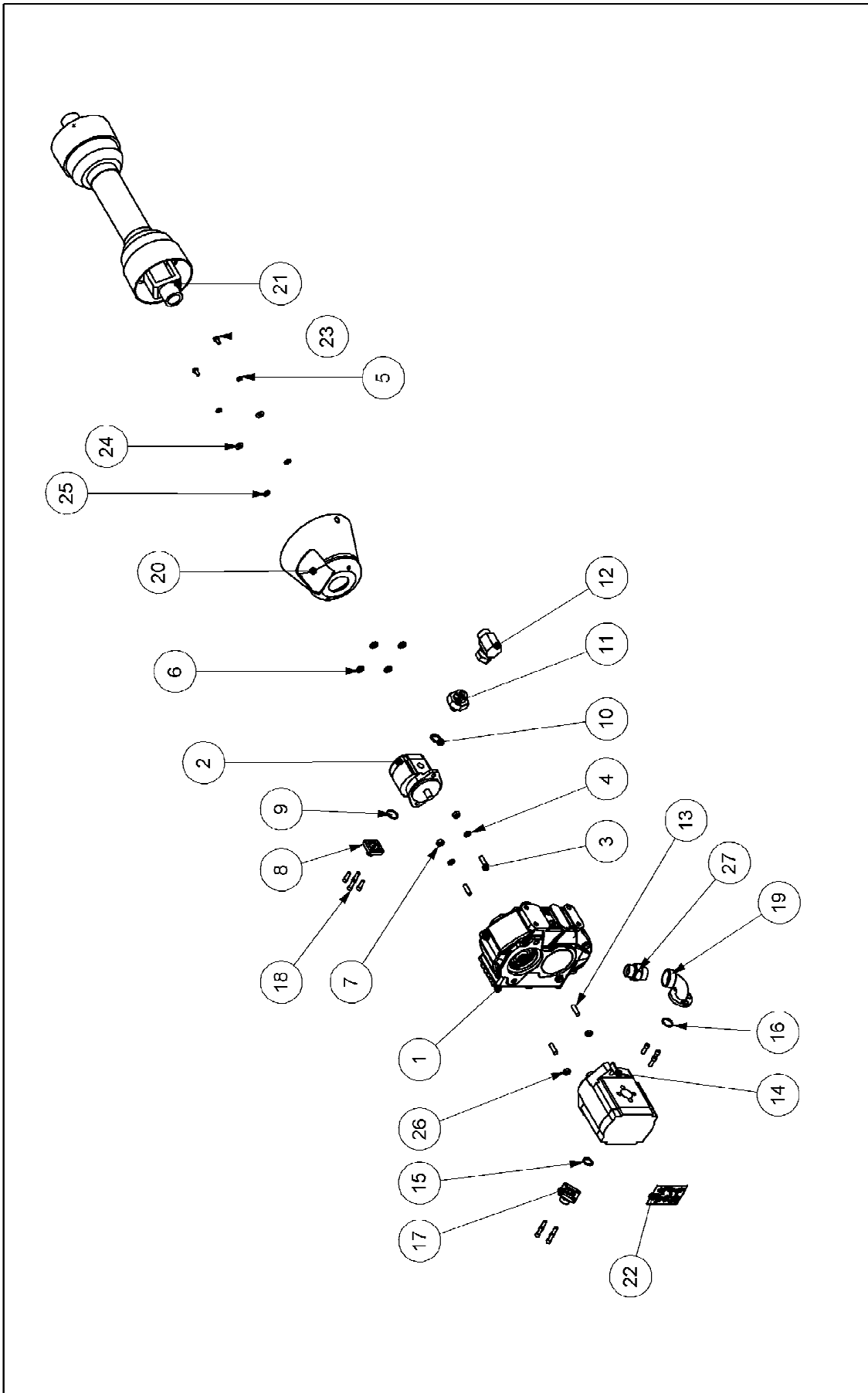


PTO/GEARBOX/PUMP CABLE - 77.211.04

PTO/G'BOX/PUMP ASSY CABLE - 77.211.04

ITEM NO.	PART NUMBER	DESCRIPTION	QTY.
1	47487.14	CAST IRON GEARBOX 4.28:1	1
2	09.537.21	PUMP GEAR 1PX070	1
3	03.100.01	STUD M10x34	2
4	05.282.02	SPRING WASHER M10	2
5	05.282.01	SPRING WASHER M8	2
6	05.282.03	SPRING WASHER M12	4
7	05.286.02	NUT M10	2
8	09.745.01	ADAPTOR FLANGE 3/8"	1
9	30.210.92	O RING 200-121-4490	1
10	05.290.05	BONDED SEAL 1/2" BSP	1
11	30.059.84	ADAPTOR	1
12	05.835.02	90 ADAPTOR M/F SWIVEL	1
13	03.100.02	STUD M10 X 32	2
14	05.650.05	PUMP 333.9111.244	1
15	05.656.03	O RING 25 I/D X 3.53	1
16	05.656.01	O RING 28 I/D X 2.5	1
17	03.864.01	03.864.01	1
18	05.657.01	SOCKET CAPSCREW 5/16" X 7/8	11
19	42588.02	ADAPTOR - FLANGED	1
20	08.548.02	PLASTIC GUARD	1
21	41624.01	PTO (560CC) T50 SERIES	1
22	46749.02	BIMA GBOX DECAL	1
23	05.839.03	SETSCREW M8X16	2
24	05.281.01	FLAT WASHER M8	2
25	05.968.03	SELF-LOCKING NUT M12	4
26	05.283.03	SHAKEPROOF WASHER 12MM	2
27	9133005	M10 THIN PLAIN NUT	4

PTO/GEARBOX/PUMP ELECTRIC - 77.211.05



PTO/GEARBOX/PUMP ELECTRIC - 77.211.05

PTO/G'BOX/PUMP ASSY CABLE 9069 - 77.211.05

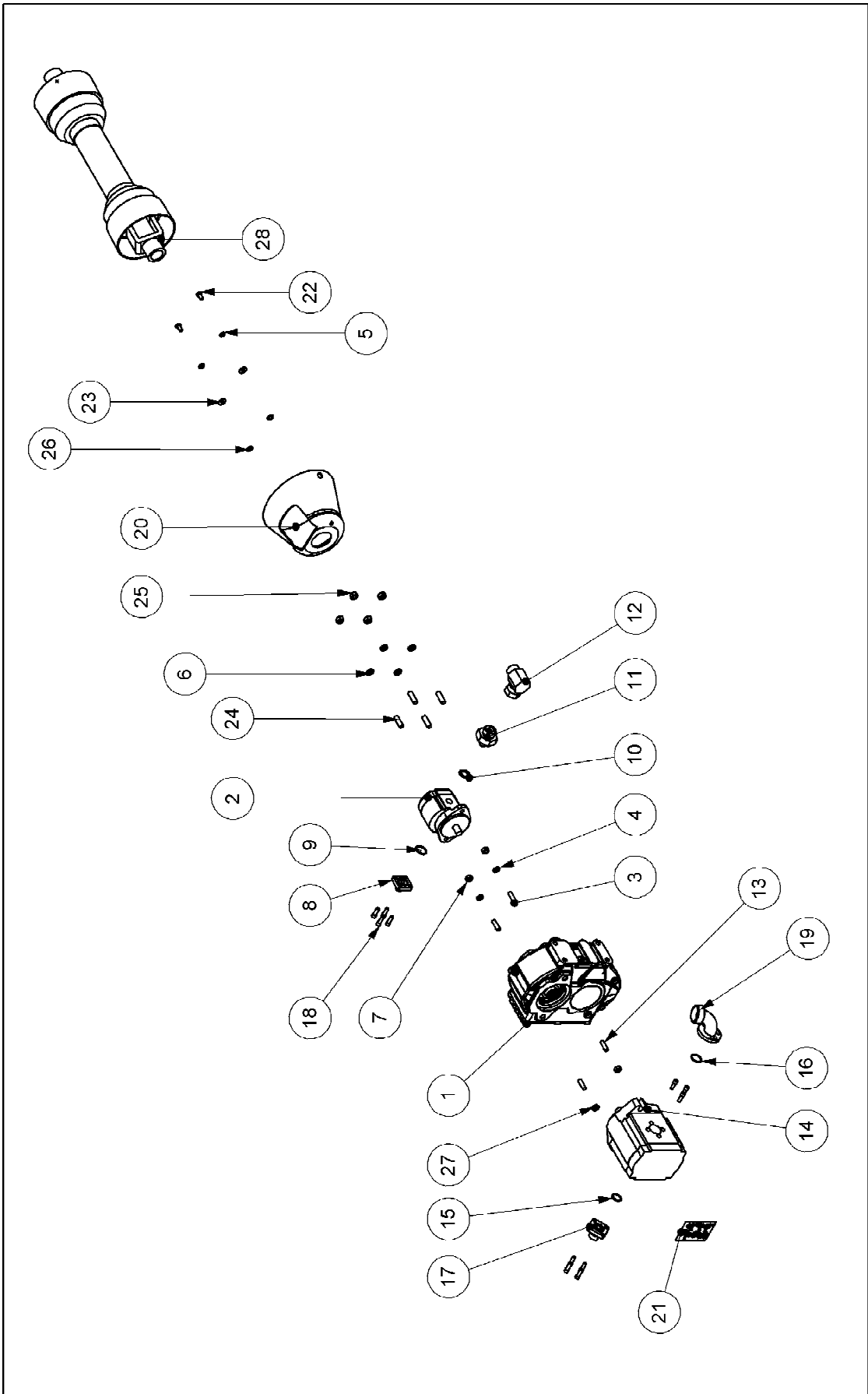
ITEM NO.	PART NUMBER	DESCRIPTION	QTY.
1	47487.14	CAST IRON GEARBOX 4.28:1	1
2	09.537.21	PUMP GEAR 1PX070	1
3	03.100.01	STUD M10x34	2
4	05.282.02	SPRING WASHER M10	2
5	05.282.01	SPRING WASHER M8	2
6	05.282.03	SPRING WASHER M12	4
7	05.286.02	NUT M10	2
8	09.745.01	ADAPTOR FLANGE 3/8"	1
9	30.210.92	O RING 200-121-4490	1
10	05.290.05	BONDED SEAL 1/2" BSP	1
11	30.059.84	ADAPTOR	1
12	05.835.02	90 ADAPTOR M/F SWIVEL	1
13	03.100.02	STUD M10 X 32	2
14	05.650.05	PUMP 333.9111.244	1
15	05.656.03	O RING 25 I/D X 3.53	1
16	05.656.01	O RING 28 I/D X 2.5	1
17	03.864.01	03.864.01	1
18	05.657.01	SOCKET CAPSCREW 5/16" X 7/8	11
19	42588.02	ADAPTOR - FLANGED	1
20	08.548.02	PLASTIC GUARD	1
21	41624.01	PTO (560CC) T50 SERIES	1
22	46749.02	BIMA GBOX DECAL	1
23	05.839.03	SETSCREW M8X16	2
24	05.281.01	FLAT WASHER M8	2
25	05.283.02	SHAKEPROOF WASHER 10M	2
26	9133005	M10 THIN PLAIN NUT	4
27	05.434.01	ADAPTOR 1"BSP MM	1

* 42693.21 - SEAL KIT FOR 42693.04 GEARBOX

* 46078.02 - SEAL SET

* 09.537.25 -SEAL KIT FOR PUMP 09.537.01

PTO/GEARBOX/PUMP CABLE - 77.211.06



PTO/GEARBOX/PUMP CABLE - 77.211.06

PTO/G'BOX/PUMP ASSY CABLE 9069 - 77.211.06

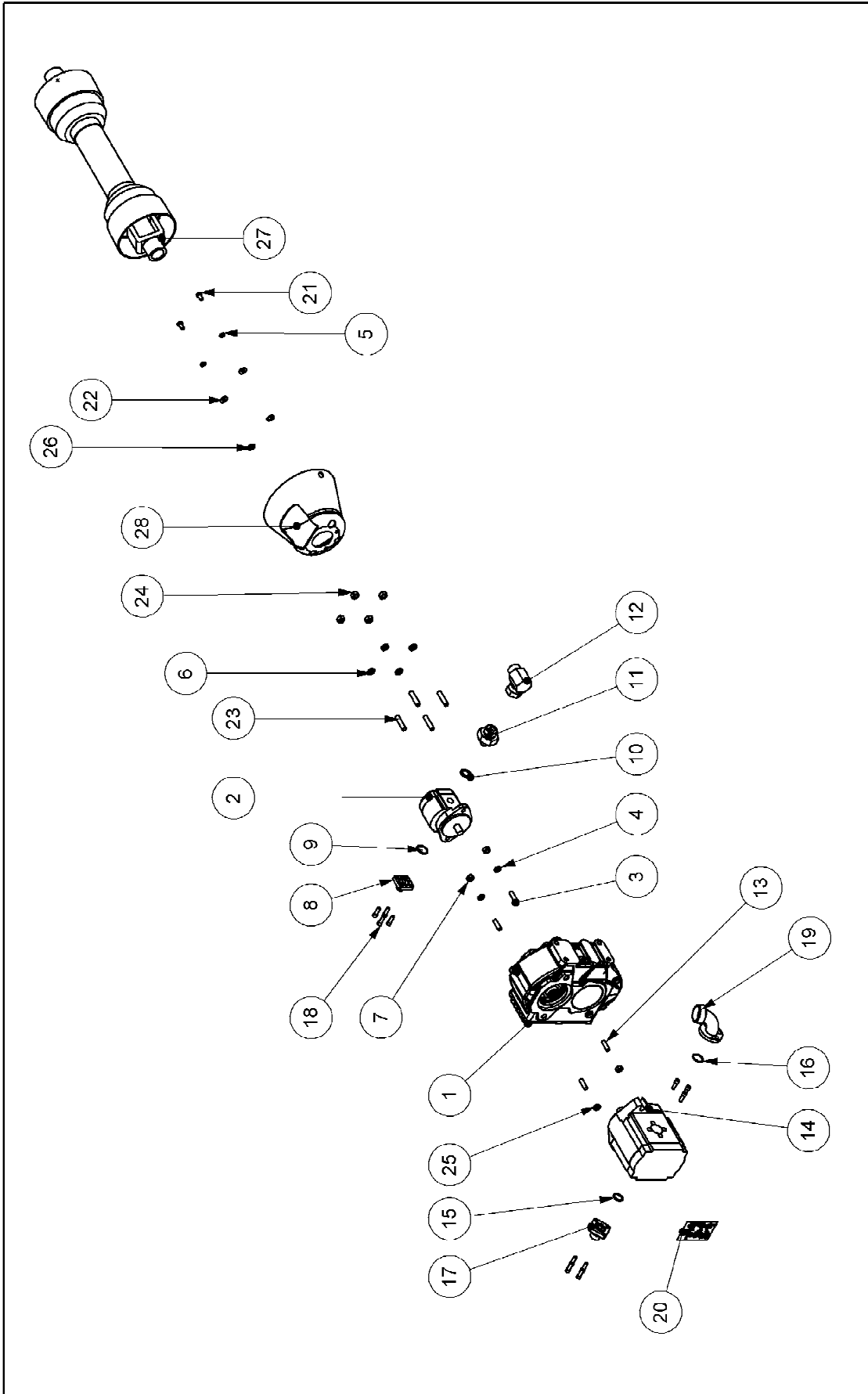
ITEM NO.	PART NUMBER	DESCRIPTION	QTY.
1	47487.14	CAST IRON GEARBOX 4.28:1	1
2	09.537.02	PUMP 1PX100	1
3	03.100.01	STUD M10x34	2
4	05.282.02	SPRING WASHER M10	2
5	05.282.01	SPRING WASHER M8	2
6	05.282.03	SPRING WASHER M12	4
7	05.286.02	NUT M10	2
8	09.745.01	ADAPTOR FLANGE 3/8"	1
9	30.210.92	O RING 200-121-4490	1
10	05.290.05	BONDED SEAL 1/2" BSP	1
11	30.059.84	ADAPTOR	1
12	05.835.02	90 ADAPTOR M/F SWIVEL	1
13	03.100.02	STUD M10 X 32	2
14	05.650.05	PUMP 333.9111.244	1
15	05.656.03	O RING 25 I/D X 3.53	1
16	05.656.01	O RING 28 I/D X 2.5	1
17	03.864.01	03.864.01	1
18	05.657.01	SOCKET CAPSCREW 5/16" X 7/8	11
19	42588.02	ADAPTOR - FLANGED	1
20	08.548.02	PLASTIC GUARD	1
21	46749.02	BIMA GBOX DECAL	1
22	05.839.03	SETSCREW M8X16	2
23	05.281.01	FLAT WASHER M8	2
24	04.174.01	M12 x 38 STUD	4
25	05.968.03	SELF-LOCKING NUT M12	4
26	05.283.02	SHAKEPROOF WASHER 10M	2
27	9133005	M10 THIN PLAIN NUT	4
28	04.402.01	PTO SHAFT ASSY 560MM	1

* 42693.21 - SEAL KIT FOR 42693.04 GEARBOX

* 46078.02 - SEAL SET FOR 46078.01

* 09.537.25 - SEAL KIT FOR PUMP 09.537.01

PTO/GEARBOX/PUMPCABLE RH10599 - 77.211.09



PTO/GEARBOX/PUMPCABLE RH10599 - 77.211.09

PTO/G'BOX/PUMP ASSY CABLE RH 10599 - 77.211.09

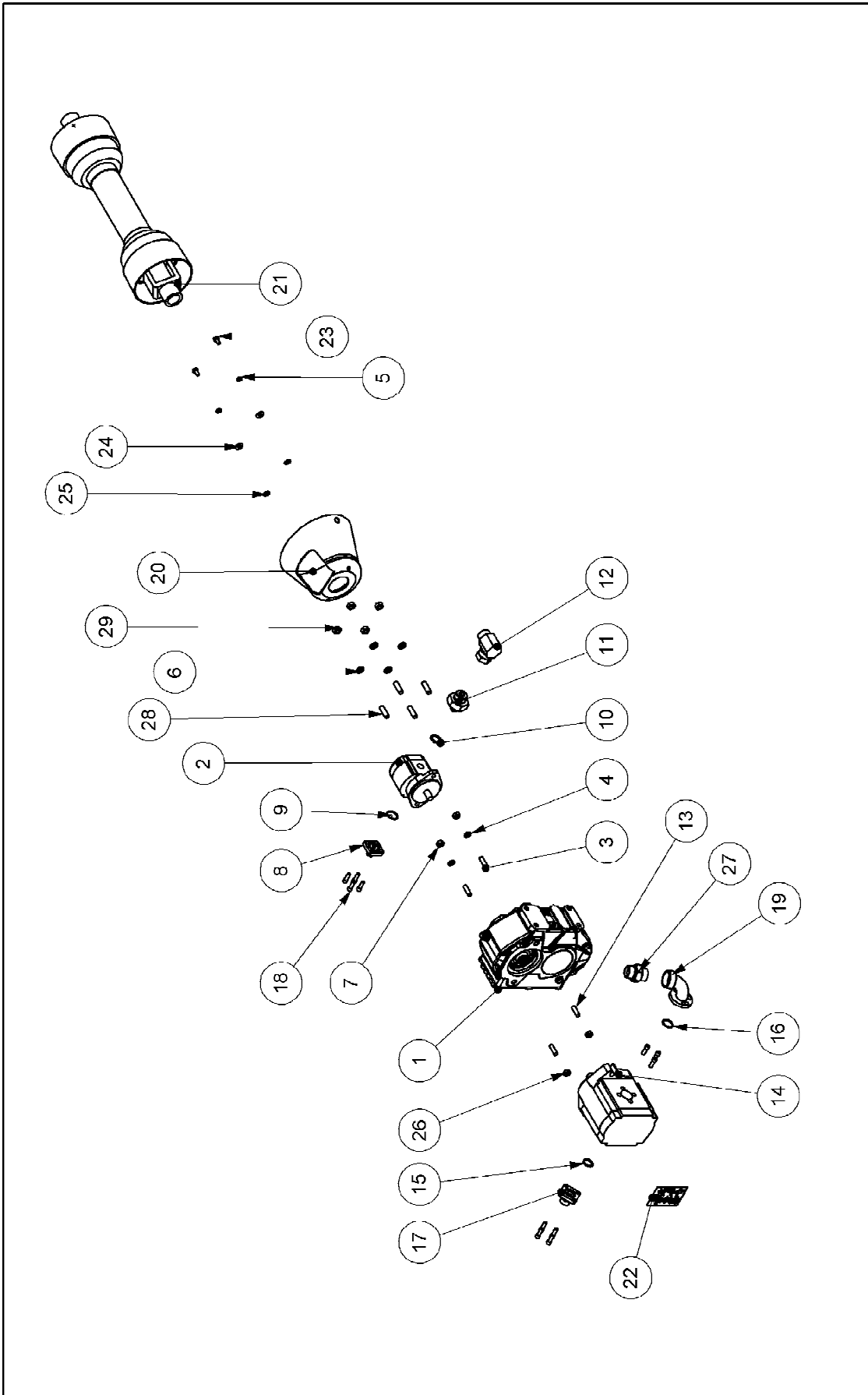
ITEM NO.	PART NUMBER	DESCRIPTION	QTY.
1	47487.14	CAST IRON GEARBOX 4.28:1	1
2	09.537.02	PUMP 1PX100	1
3	03.100.01	STUD M10x34	2
4	05.282.02	SPRING WASHER M10	2
5	05.282.01	SPRING WASHER M8	2
6	05.282.03	SPRING WASHER M12	4
7	05.286.02	NUT M10	2
8	09.745.01	ADAPTOR FLANGE 3/8"	1
9	30.210.92	O RING 200-121-4490	1
10	05.290.05	BONDED SEAL 1/2" BSP	1
11	30.059.84	ADAPTOR	1
12	05.835.02	90 ADAPTOR M/F SWIVEL	1
13	03.100.02	STUD M10 X 32	2
14	05.650.05	PUMP 333.9111.244	1
15	05.656.03	O RING 25 I/D X 3.53	1
16	05.656.01	O RING 28 I/D X 2.5	1
17	03.864.01	03.864.01	1
18	05.657.01	SOCKET CAPSCREW 5/16" X 7/8	11
19	42588.02	ADAPTOR - FLANGED	1
20	46749.02	BIMA GBOX DECAL	1
21	05.839.03	SETSCREW M8X16	2
22	05.281.01	FLAT WASHER M8	2
23	04.282.74	M12 x 39 STUD	4
24	05.968.03	SELF-LOCKING NUT M12	4
25	9133005	M10 THIN PLAIN NUT	4
26	05.283.03	SHAKEPROOF WASHER 12MM	2
27	41624.01	PTO (560CC) T50 SERIES	1
28	08.548.03	PLASTIC PTO CUP	1

* 42693.21 - SEAL KIT FOR 42693.04 GEARBOX

* 46078.02 - SEAL SET FOR 46078.01

* 09.537.25 - SEAL KIT FOR PUMP 09.537.01

PTO/GEARBOX//PUMP ELECTLH10599 - 77.211.11



PTO/GEARBOX//PUMP ELECTLH10599 - 77.211.11

PTO/GEARBOX//PUMP ELECTLH10599 - 77.211.11

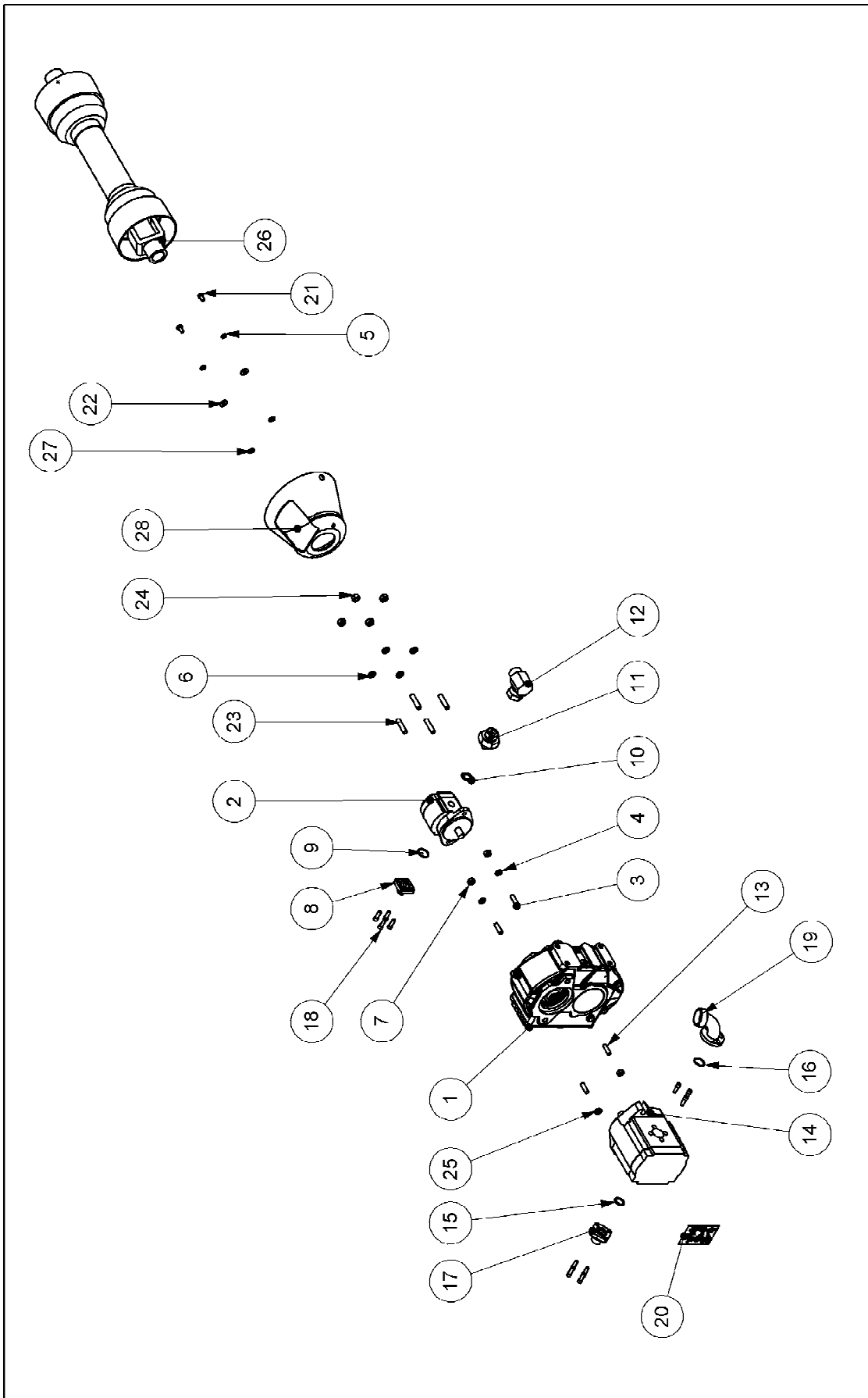
ITEM NO.	PART NUMBER	DESCRIPTION	QTY.
1	47487.04	GEARBOX 3.6 : 1	1
2	09.537.21	PUMP GEAR 1PX070	1
3	03.100.01	STUD M10x34	2
4	05.282.02	SPRING WASHER M10	2
5	05.282.01	SPRING WASHER M8	2
6	05.282.03	SPRING WASHER M12	4
7	05.286.02	NUT M10	2
8	09.745.01	ADAPTOR FLANGE 3/8"	1
9	30.210.92	O RING 200-121-4490	1
10	05.290.05	BONDED SEAL 1/2" BSP	1
11	30.059.84	ADAPTOR	1
12	05.835.02	90 ADAPTOR M/F SWIVEL	1
13	03.100.02	STUD M10 X 32	2
14	05.650.05	PUMP 333.9111.244	1
15	05.656.03	O RING 25 I/D X 3.53	1
16	05.656.01	O RING 28 I/D X 2.5	1
17	03.864.01	03.864.01	1
18	05.657.01	SOCKET CAPSCREW 5/16" X 7/8	11
19	42588.02	ADAPTOR - FLANGED	1
20	08.548.02	PLASTIC GUARD	1
21	41624.01	PTO (560CC) T50 SERIES	1
22	46749.02	BIMA GBOX DECAL	1
23	05.839.03	SETSCREW M8X16	2
24	05.281.01	FLAT WASHER M8	2
25	05.283.02	SHAKEPROOF WASHER 10M	2
26	9133005	M10 THIN PLAIN NUT	4
27	05.434.01	ADAPTOR 1"BSP MM	2
28	04.174.01	M12 x 38 STUD	4
29	05.968.03	SELF-LOCKING NUT M12	4

* 42693.21 - SEAL KIT FOR 42693.04 GEARBOX

* 46078.02 - SEAL SET

* 09.537.25 -SEAL KIT FOR PUMP 09.537.01

PTO/GEARBOX/PUMP CABLERH 10599 - 77.211.12



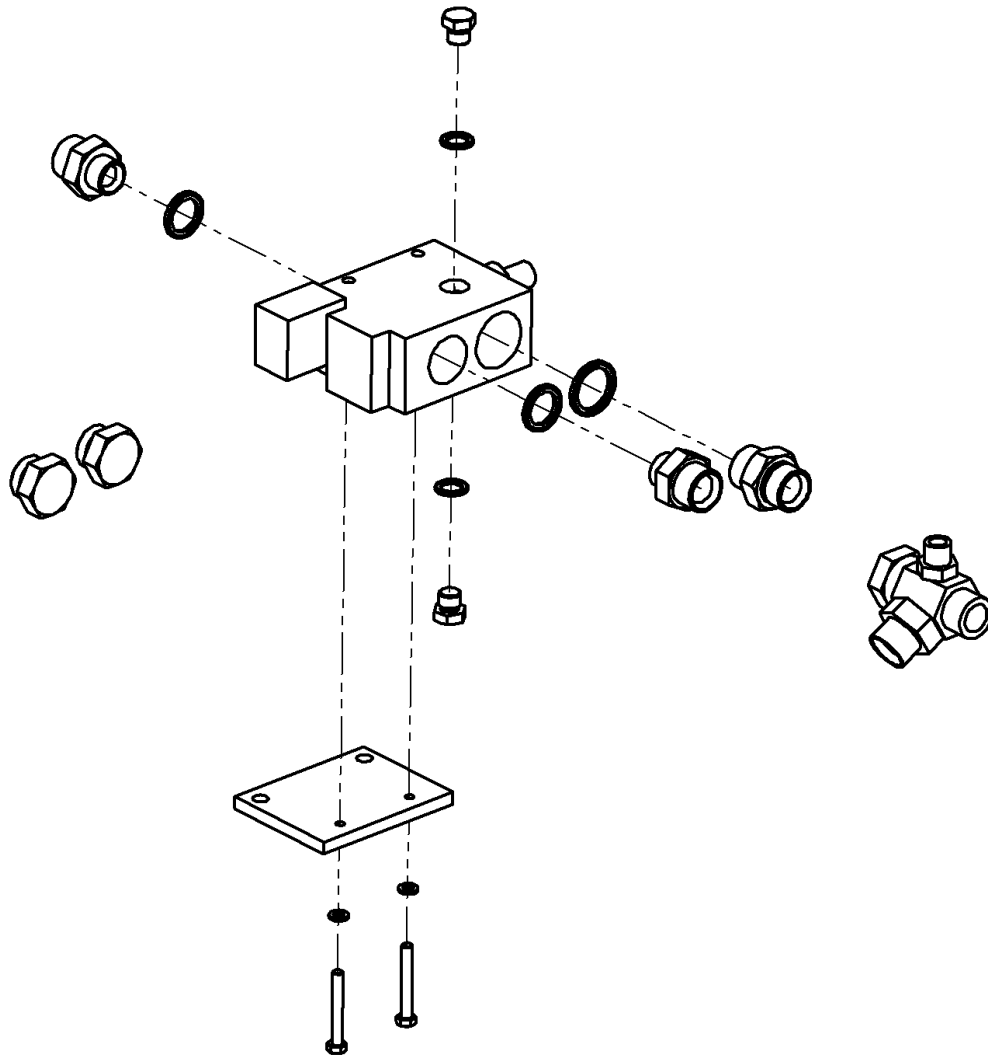
PTO/GEARBOX/PUMP CABLERH 10599 - 77.211.12

PTO/G'BOX/PUMP ASSY CABLE RH 10599 - 77.211.12

ITEM NO.	PART NUMBER	DESCRIPTION	QTY.
1	47487.04	GEARBOX 3.6 : 1	1
2	09.537.21	PUMP GEAR 1PX070	1
3	03.100.01	STUD M10x34	2
4	05.282.02	SPRING WASHER M10	2
5	05.282.01	SPRING WASHER M8	2
6	05.282.03	SPRING WASHER M12	4
7	05.286.02	NUT M10	2
8	09.745.01	ADAPTOR FLANGE 3/8"	1
9	30.210.92	O RING 200-121-4490	1
10	05.290.05	BONDED SEAL 1/2" BSP	1
11	30.059.84	ADAPTOR	1
12	05.835.02	90 ADAPTOR M/F SWIVEL	1
13	03.100.02	STUD M10 X 32	2
14	05.650.05	PUMP 333.9111.244	1
15	05.656.03	O RING 25 I/D X 3.53	1
16	05.656.01	O RING 28 I/D X 2.5	1
17	03.864.01	03.864.01	1
18	05.657.01	SOCKET CAPSCREW 5/16" X 7/8	11
19	42588.02	ADAPTOR - FLANGED	1
20	46749.02	BIMA GBOX DECAL	1
21	05.839.03	SETSCREW M8X16	2
22	05.281.01	FLAT WASHER M8	2
23	04.282.74	M12 x 39 STUD	4
24	05.968.03	SELF-LOCKING NUT M12	4
25	9133005	M10 THIN PLAIN NUT	4
26	41624.01	PTO (560CC) T50 SERIES	1
27	05.283.02	SHAKEPROOF WASHER 10M	2
28	08.548.05	GUARD - PTO	1

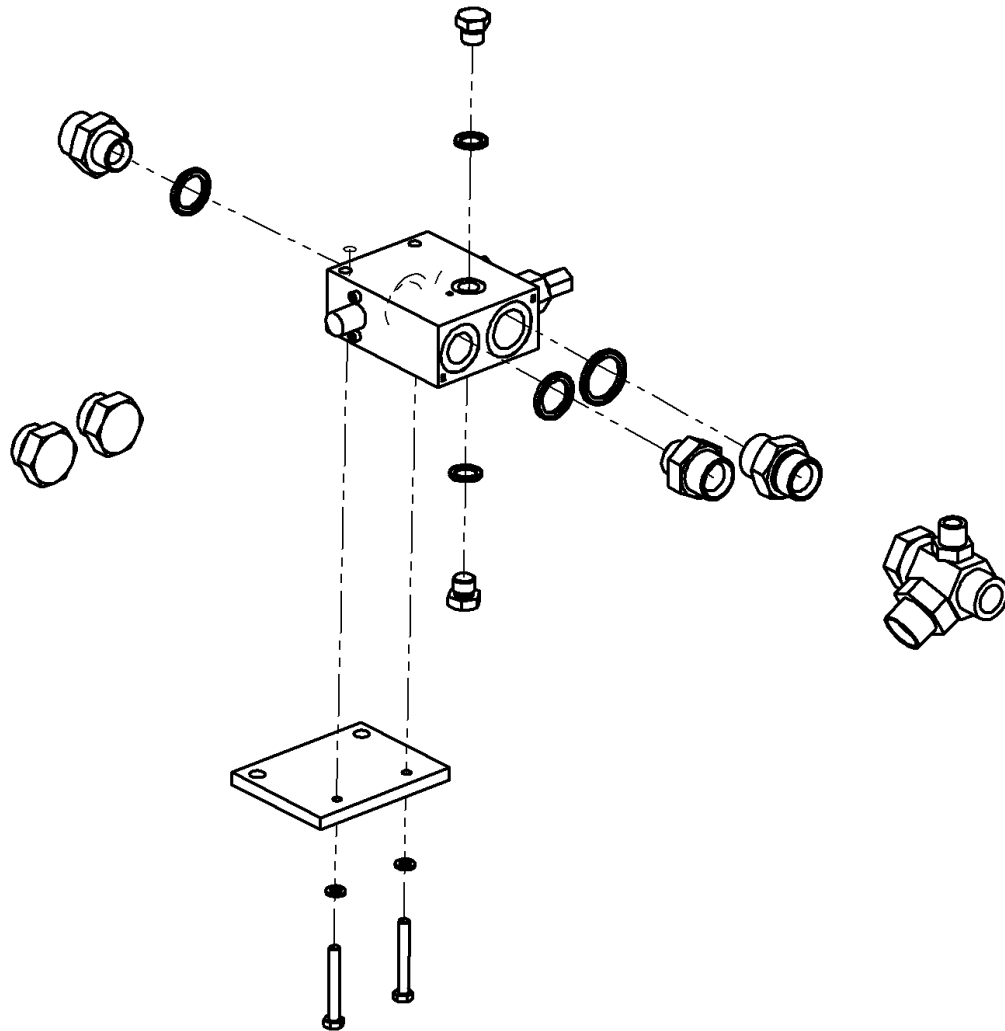
- * 42693.21 - SEAL KIT FOR 42693.04 GEARBOX
- * 46078.02 - SEAL SET FOR 46078.01
- * 09.537.25 - SEAL KIT FOR PUMP 09.537.01
- * 05.642.02 - SEAL KIT FOR PUMP 05.650.05

PUMP CIRCUIT ELECTRIC - 77.126.01



ITEM NO.	PART NUMBER	DESCRIPTION	QTY.
1	08.943.01	RELIEF VALVE/DIVERTER - ELECT	1
2	46058.01	PLATE - VALVE MOUNTING	1
3	05.290.07	BONDED SEAL 1" BSP	1
4	05.290.06	BONDED SEAL 3/4" BSP	2
5	05.290.04	BONDED SEAL 3/8" BSP	2
6	05.291.07	BOLT M8x60	2
7	05.282.01	SPRING WASHER M8	2
8	05.434.01	ADAPTOR 1"BSP MM	3
9	05.373.01	ADAPTOR 3/4"BSPx1"BSP	2
10	05.433.01	PLUG 3/8"BSP	2
11	05.433.03	PLUG 1" BSP	2
12	04.056.02	ADAPTOR	1

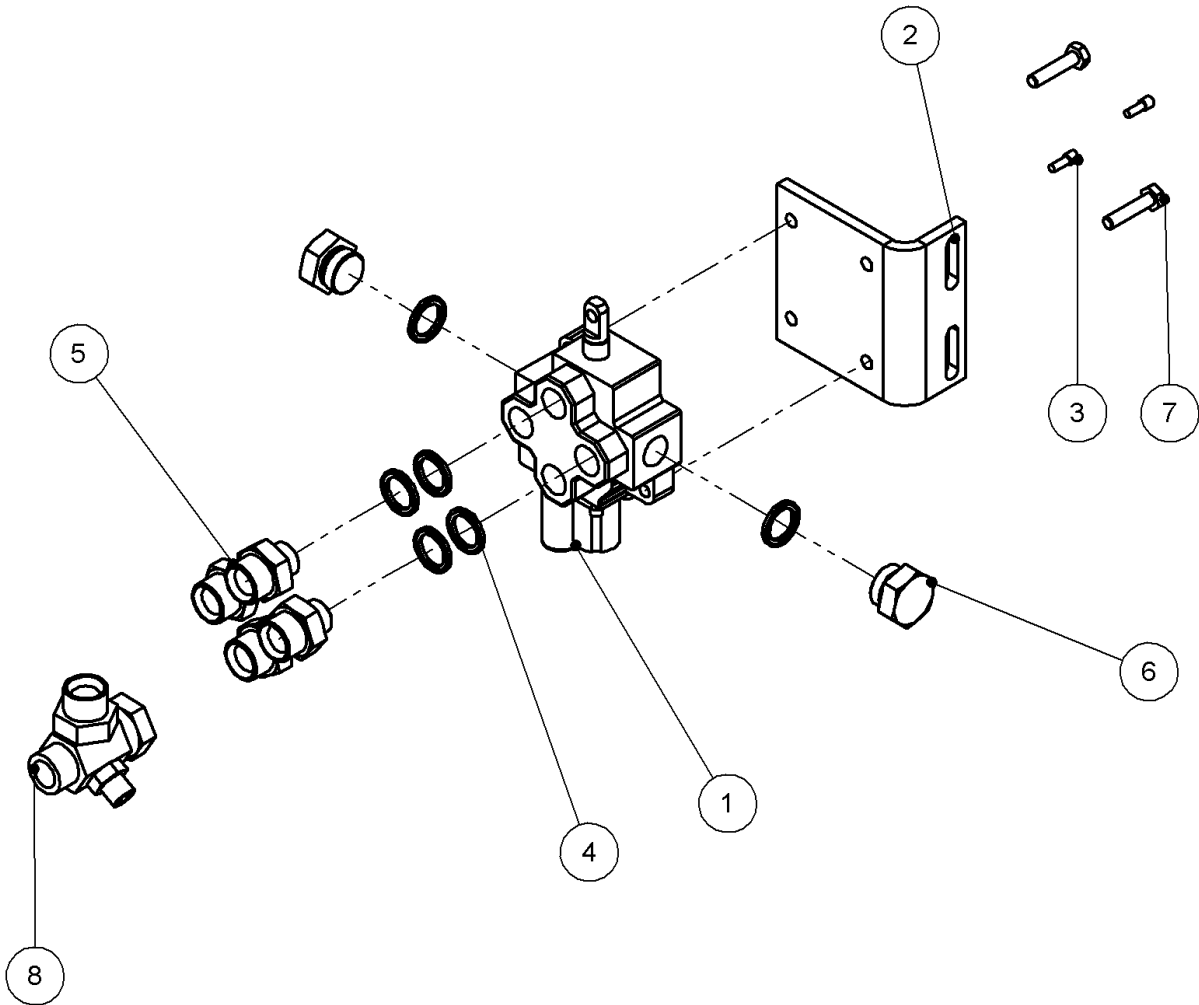
PUMP CIRCUIT CABLE - 77.126.02



* 06.284.25 - SEAL KIT FOR 06.284.16

ITEM NO.	PART NUMBER	DESCRIPTION	QTY.
1	06.284.16	DIVERTOR / RELIEF ASSY 209 BAR	1
2	46058.01	PLATE - VALVE MOUNTING	1
3	05.290.07	BONDED SEAL 1" BSP	1
4	05.290.06	BONDED SEAL 3/4" BSP	2
5	05.290.04	BONDED SEAL 3/8" BSP	2
6	05.291.07	BOLT M8x60	2
7	05.282.01	SPRING WASHER M8	2
8	05.434.01	ADAPTOR 1"BSP MM	3
9	05.373.01	ADAPTOR 3/4"BSPx1"BSP	2
10	05.433.01	PLUG 3/8"BSP	2
11	05.433.03	PLUG 1" BSP	2
12	04.056.02	ADAPTOR	1

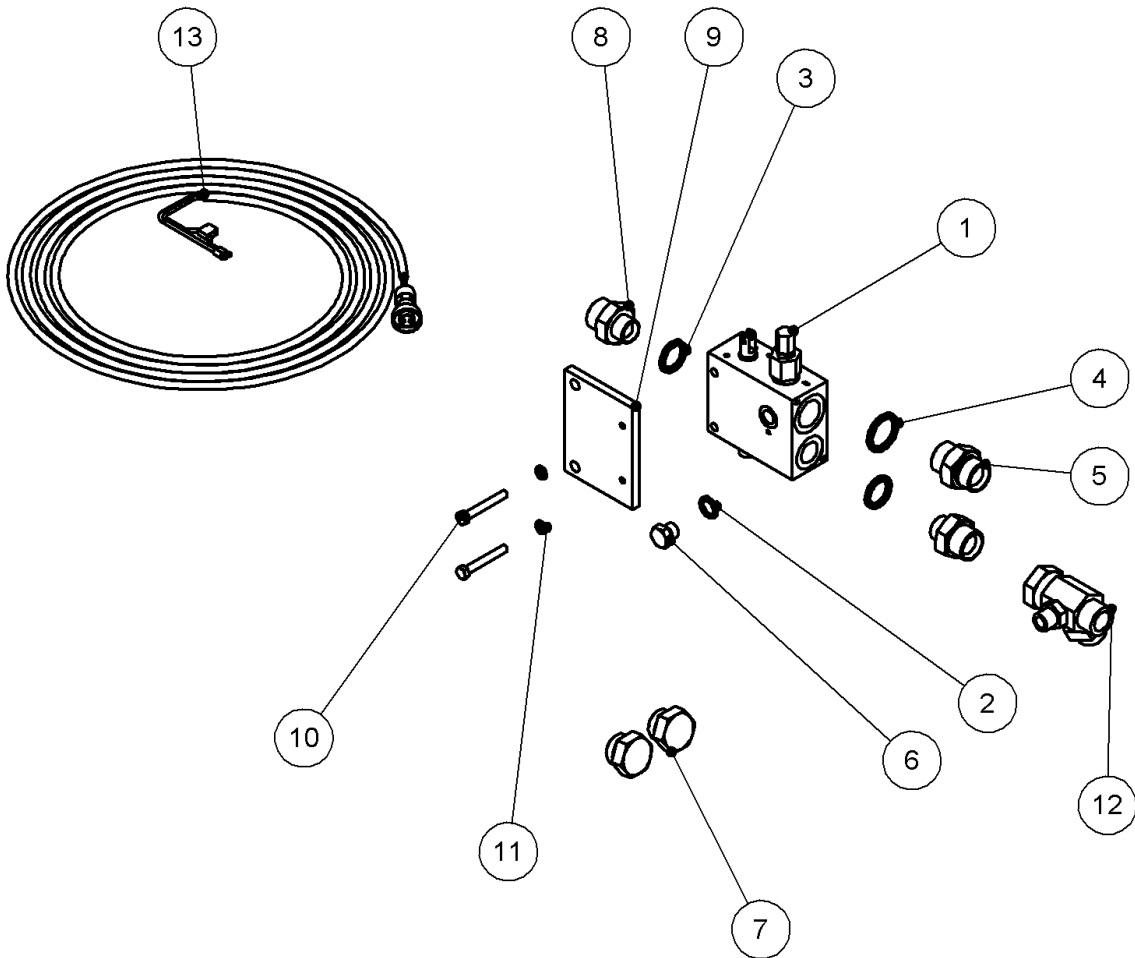
PUMP CIRCUIT CABLE DSR - 77.126.03



* 8125386 - SEAL KIT FOR 8125385

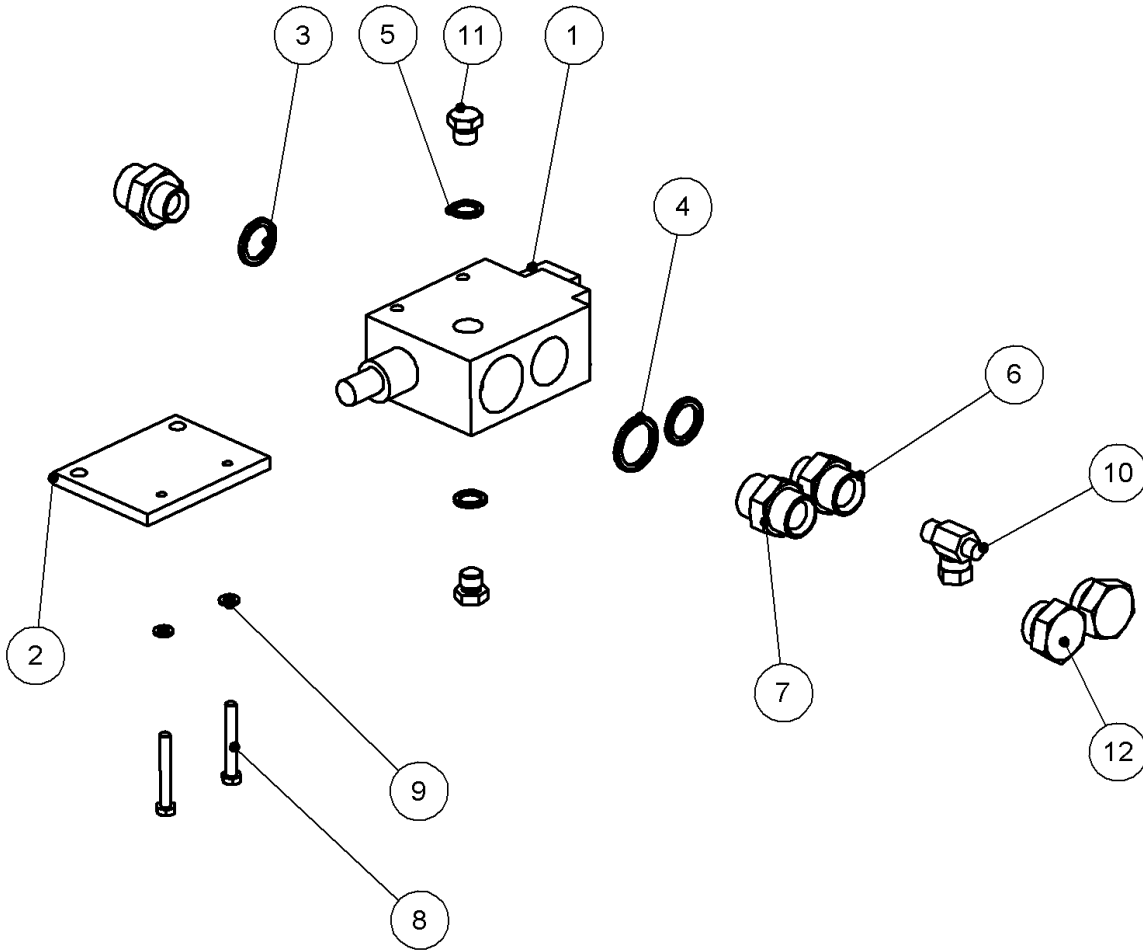
ITEM NO.	PART NUMBER	DESCRIPTION	QTY.
1	8125385	RCV 207BAR LH	1
2	46095.01	PLATE - VALVE MOUNTING	1
3	9343033	M6 X 16 SOCKET HEAD	2
4	05.290.06	BONDED SEAL 3/4" BSP	6
5	05.373.01	ADAPTOR 3/4"BSPx1"BSP	4
6	05.433.03	PLUG 1" BSP	2
7	05.291.14	BOLT M10x45	2
8	04.056.02	ADAPTOR	1

PUMP CIRCUIT CABLE - 77.126.04



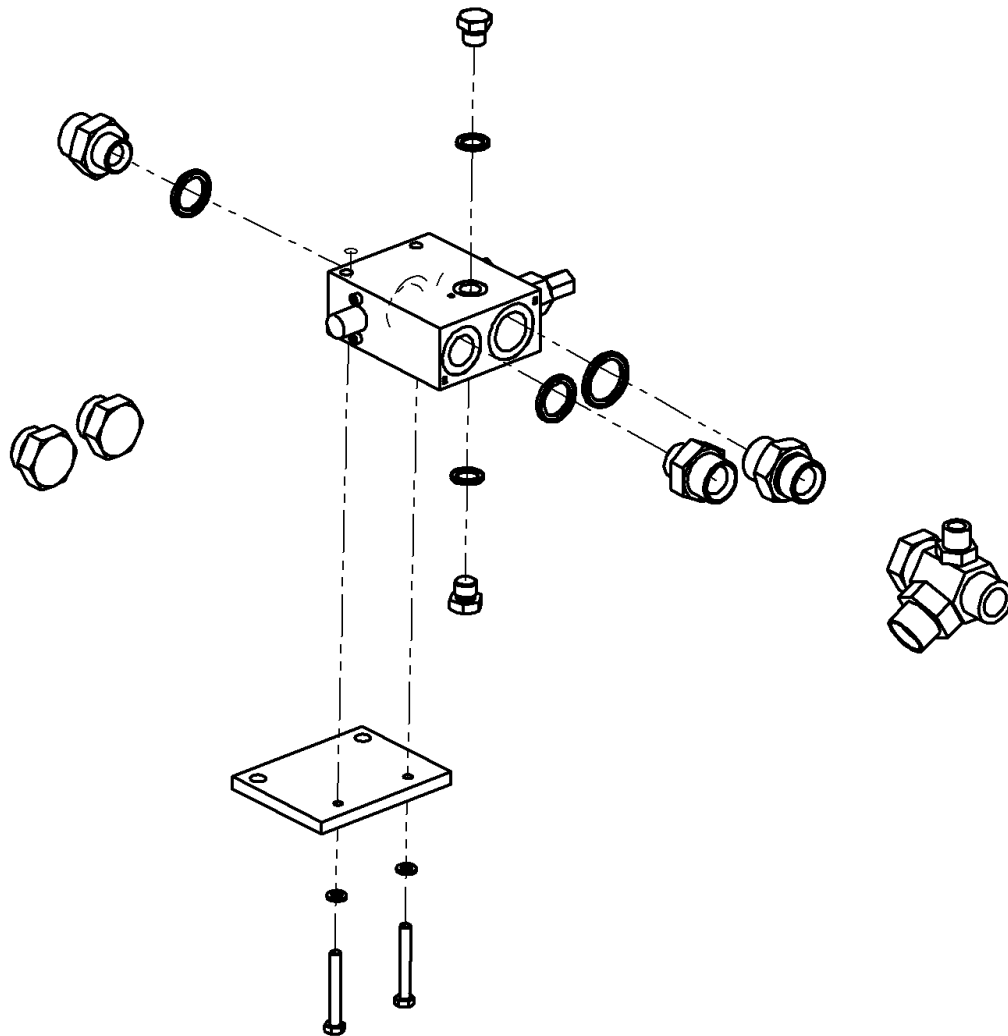
ITEM NO.	PART NUMBER	DESCRIPTION	QTY.
1	06.284.16	DIVERTOR / RELIEF ASSY 209 BAR	1
2	05.290.04	BONDED SEAL 3/8" BSP	2
3	05.290.06	BONDED SEAL 3/4" BSP	2
4	05.290.07	BONDED SEAL 1" BSP	1
5	05.434.01	ADAPTOR 1"BSP MM	3
6	05.433.01	PLUG 3/8"BSP	2
7	05.433.03	PLUG 1" BSP	2
8	05.373.01	ADAPTOR 3/4"BSPx1"BSP	2
9	46058.01	PLATE - VALVE MOUNTING	1
10	05.291.07	BOLT M8x60	2
11	05.282.01	SPRING WASHER M8	2
12	04.056.02	ADAPTOR	1
13	09.968.10	CABLE ASSY TMC - 4.0M	1

PUMP CIRCUIT ELECTRIC RH - 77.126.05



ITEM NO.	PART NUMBER	DESCRIPTION	QTY.
1	08.943.01	RELIEF VALVE/DIVERTER - ELECT	1
2	46058.01	PLATE - VALVE MOUNTING	1
3	05.290.06	BONDED SEAL 3/4" BSP	2
4	05.290.07	BONDED SEAL 1" BSP	1
5	05.290.04	BONDED SEAL 3/8" BSP	2
6	05.373.01	ADAPTOR 3/4"BSPx1"BSP	2
7	05.434.01	ADAPTOR 1"BSPx1"BSP	3
8	05.291.07	BOLT M8x60	2
9	05.282.01	SPRING WASHER M8	2
10	04.056.47	TEE ADAPTOR MMF	1
11	05.433.01	PLUG 3/8"BSP	2
12	05.433.03	PLUG 1" BSP	2

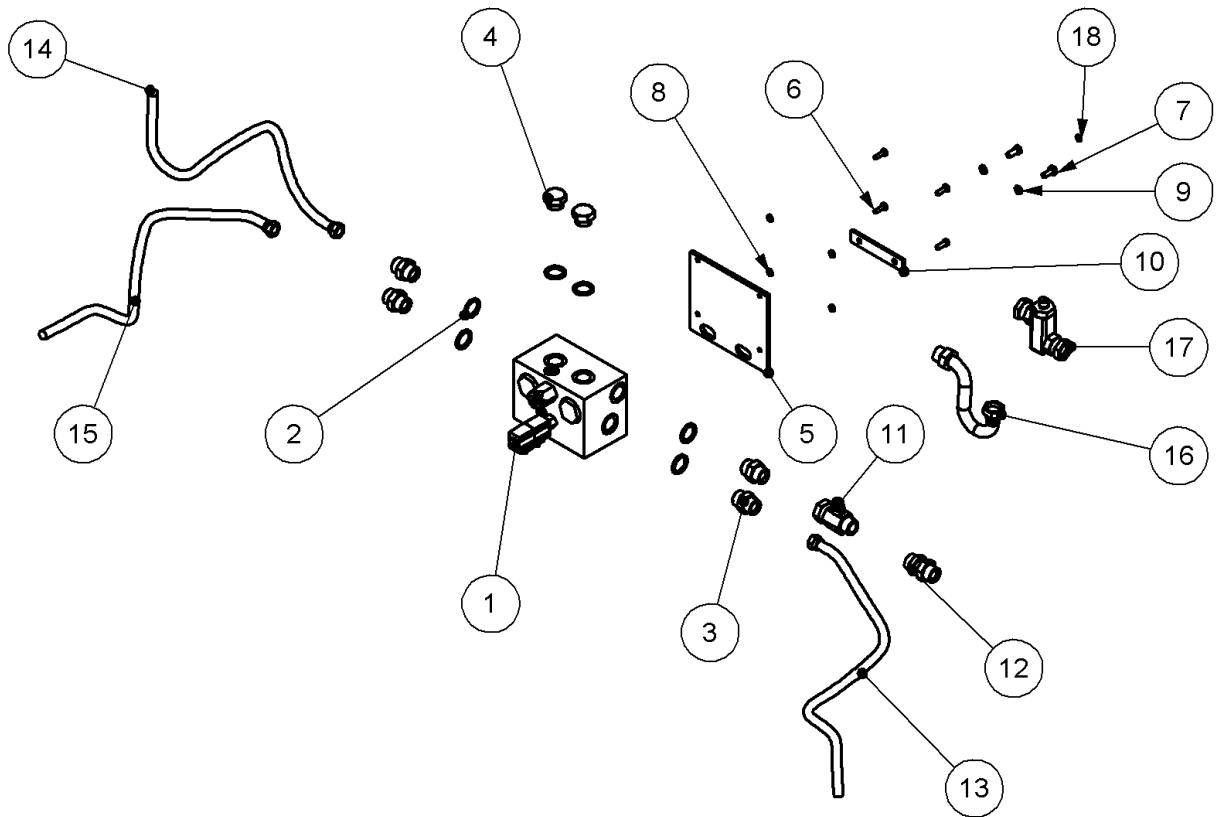
PUMP CIRCUIT CABLE - 77.126.06



* 06.284.25 - SEAL KIT FOR 06.284.16

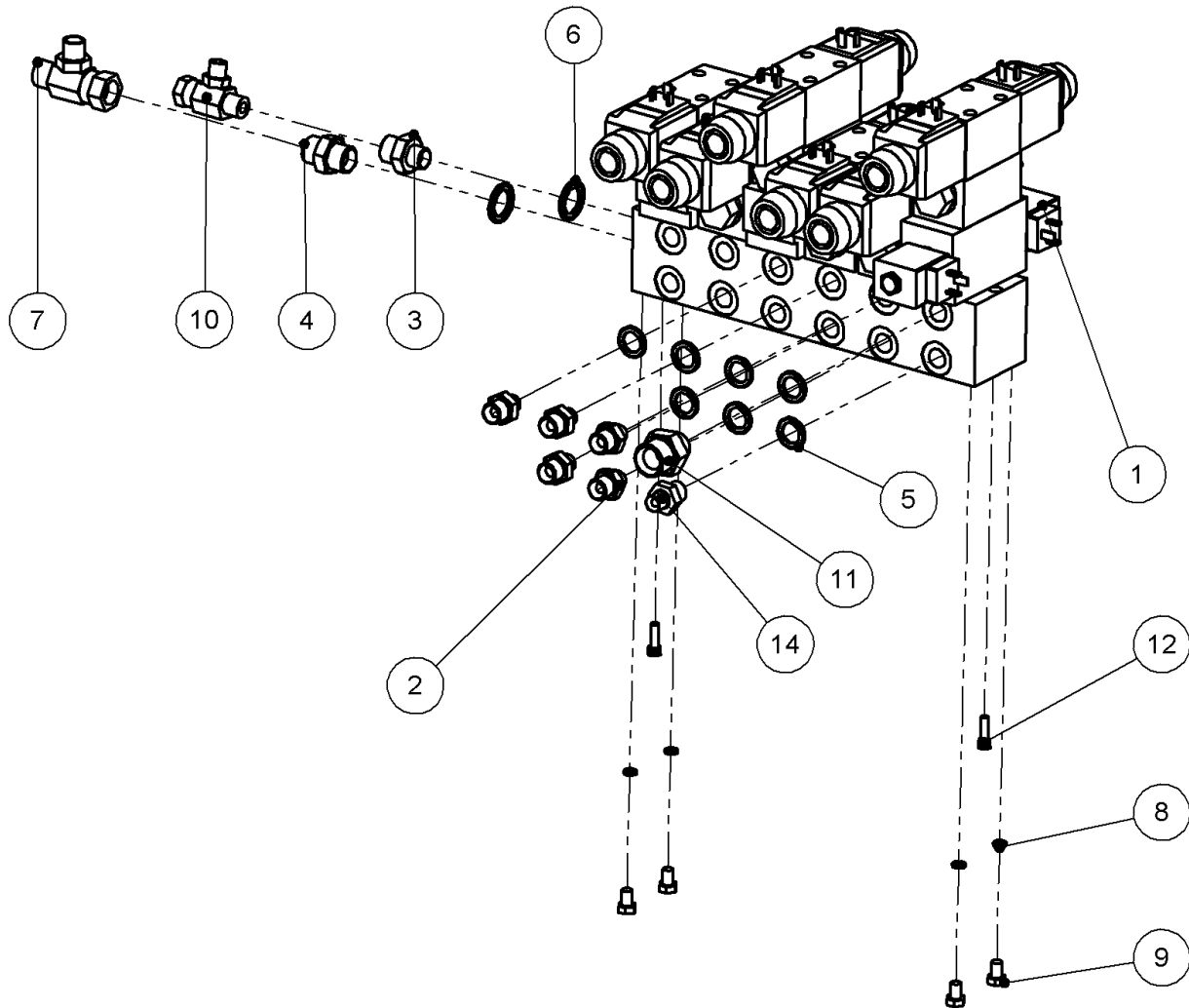
ITEM NO.	PART NUMBER	DESCRIPTION	QTY.
1	06.284.16	DIVERTOR / RELIEF ASSY 209 BAR	1
2	46058.01	PLATE - VALVE MOUNTING	1
3	05.290.07	BONDED SEAL 1" BSP	1
4	05.290.06	BONDED SEAL 3/4" BSP	2
5	05.290.04	BONDED SEAL 3/8" BSP	2
6	05.291.07	BOLT M8x60	2
7	05.282.01	SPRING WASHER M8	2
8	05.434.01	ADAPTOR 1"BSP MM	3
9	05.373.01	ADAPTOR 3/4"BSPx1"BSP	2
10	05.433.01	PLUG 3/8"BSP	2
11	05.433.03	PLUG 1" BSP	2
12	04.056.47	ADAPTOR	1

ELECTRIC DSR ASSY 9441 - 77.188.05



ITEM NO.	PART NUMBER	DESCRIPTION	QTY.
1	42768.01	VALVE RCV ELECTRIC	1
2	05.290.07	BONDED SEAL 1" BSP	6
3	05.434.01	ADAPTOR 1"BSPx1"BSP	4
4	05.433.03	PLUG 1" BSP	2
5	46819.01	PLATE - ELEC DSR	1
6	05.264.02	SETSCREW M8x25	4
7	05.264.12	SETSCREW M10x25	2
8	05.282.01	SPRING WASHER M8	4
9	05.282.02	SPRING WASHER M10	2
10	46818.01	CLAMP - DSR PLATE	1
11	04.056.34	TEE ADAPTOR FMM	1
12	08.128.03	BULKHEAD FITTING 1" BSP	1
13	10.022.49	HOSE 1"BSP	1
14	05.835.05	HOSE 1"BSP STX90 S.SEAL 550	1
15	10.012.16	HOSE 1"BSP ST/90 S.SEAL 800	1
16	46127.03	PIPE - HYDRAULIC	1
17	46820.01	PIPE - DSR - FILTER	1
18	05.281.10	FLAT WASHER M6	12

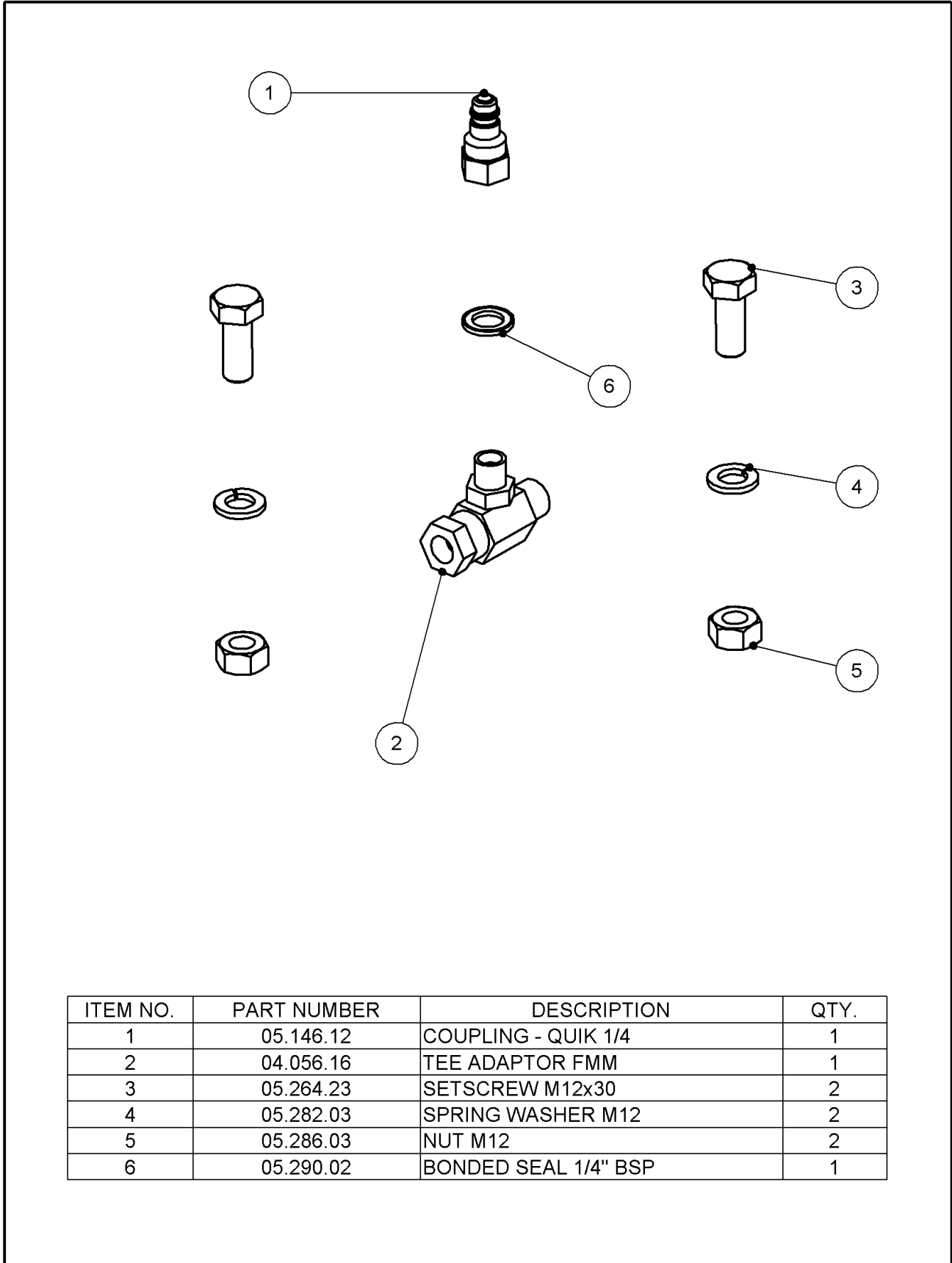
EPPII 4SV+HF VALVE ASSY - 76.427.04



* 41784.50 - SEAL KIT

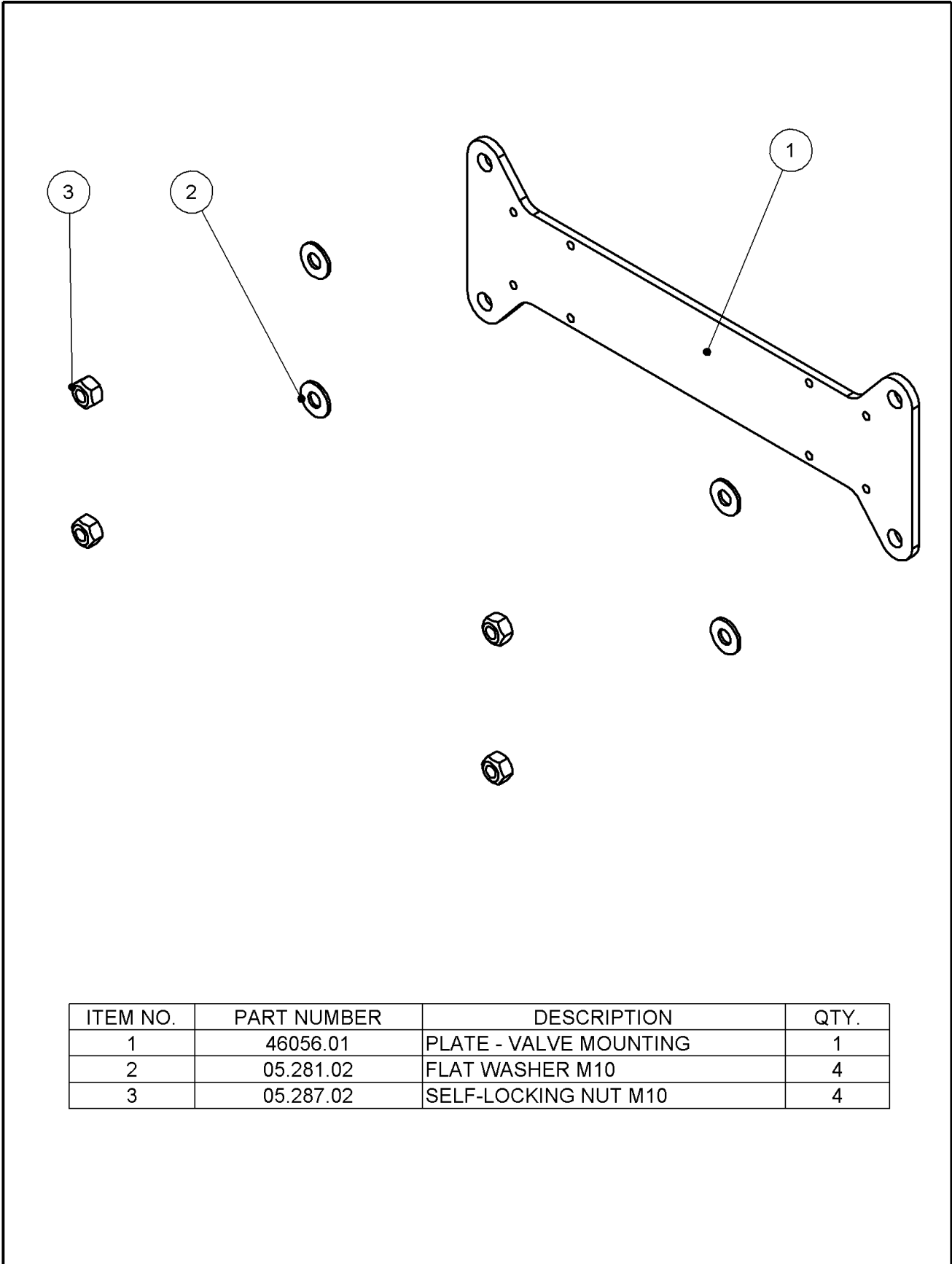
ITEM NO.	PART NUMBER	DESCRIPTION	QTY.
1	41784.12	CONTROL VALVE PROP. 4 SERV+HF	1
2	01.099.01	ADAPTOR 1/4"BSPx3/8"BSP	5
3	05.123.01	ADAPTOR 3/8"BSPx1/2"BSP	1
4	05.122.01	ADAPTOR 1/2"BSPx1/2"BSP	1
5	05.290.04	BONDED SEAL 3/8" BSP	7
6	05.290.05	BONDED SEAL 1/2" BSP	2
7	04.056.40	TEE ADAPTOR FMM	1
8	05.282.09	SPRING WASHER M5	4
9	30.073.93	SCREW M5 X 16MM	4
10	04.056.16	TEE ADAPTOR FMM	1
11	05.376.01	ADAPTOR 1/2"BSPx3/4"BSP	1
12	0342061	SKT CAPSCREW 1/4"	2
13	41814.02	DECAL - 4 SERVICE	1
14	07.605.01	RESTRICTOR 3/8"X1/4" BSP	2

TEST POINT EPP VALVE - 76.271.08



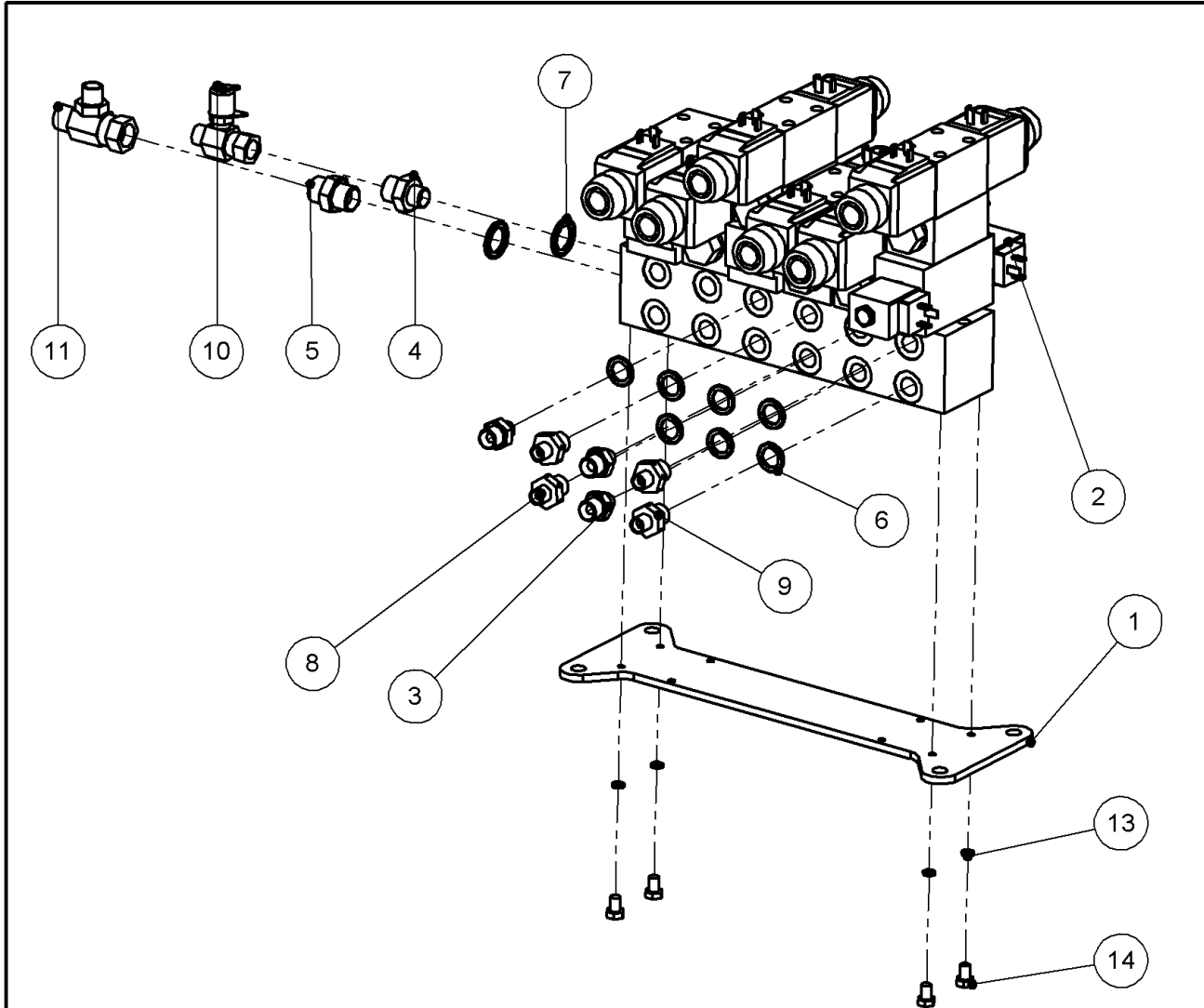
ITEM NO.	PART NUMBER	DESCRIPTION	QTY.
1	05.146.12	COUPLING - QUIK 1/4	1
2	04.056.16	TEE ADAPTOR FMM	1
3	05.264.23	SETSCREW M12x30	2
4	05.282.03	SPRING WASHER M12	2
5	05.286.03	NUT M12	2
6	05.290.02	BONDED SEAL 1/4" BSP	1

VALVE MNTG ASSY EPP2 HAWK 9069 - 76.427.27



ITEM NO.	PART NUMBER	DESCRIPTION	QTY.
1	46056.01	PLATE - VALVE MOUNTING	1
2	05.281.02	FLAT WASHER M10	4
3	05.287.02	SELF-LOCKING NUT M10	4

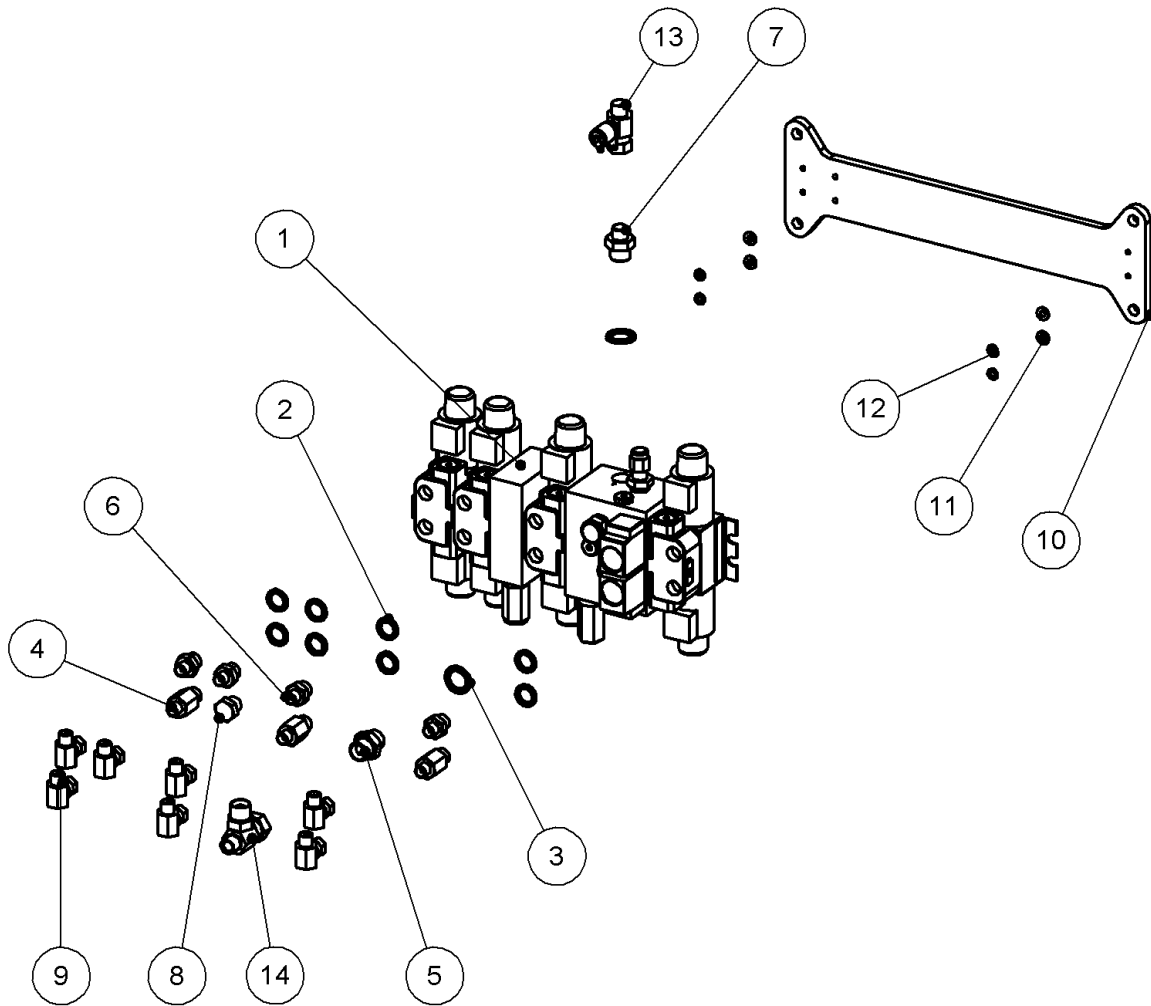
VALVE ASSY - DCU 4 SERVICE - 77.132.01



* 41784.50 - SEAL KIT

ITEM NO.	PART NUMBER	DESCRIPTION	QTY.
1	46056.01	PLATE - VALVE MOUNTING	1
2	41784.23	CONTROL VALVE- 4 PROP SER	1
3	01.099.01	ADAPTOR 1/4"BSPx3/8"BSP	3
4	05.123.01	ADAPTOR 3/8"BSPx1/2"BSP	2
5	05.122.01	ADAPTOR 1/2"BSPx1/2"BSP	1
6	05.290.04	BONDED SEAL 3/8" BSP	7
7	05.290.05	BONDED SEAL 1/2" BSP	3
8	46518.16	RESTRICTOR	2
9	46518.08	RESTRICTOR	2
10	8131004	TEST ADAPTOR 3/8"BSP M/F	1
11	04.056.40	TEE ADAPTOR FMM	1
12	41814.08	DECAL - 4 SERVICE EPP3	1
13	05.282.09	SPRING WASHER M5	4
14	30.073.93	SCREW M5 X 16MM	4

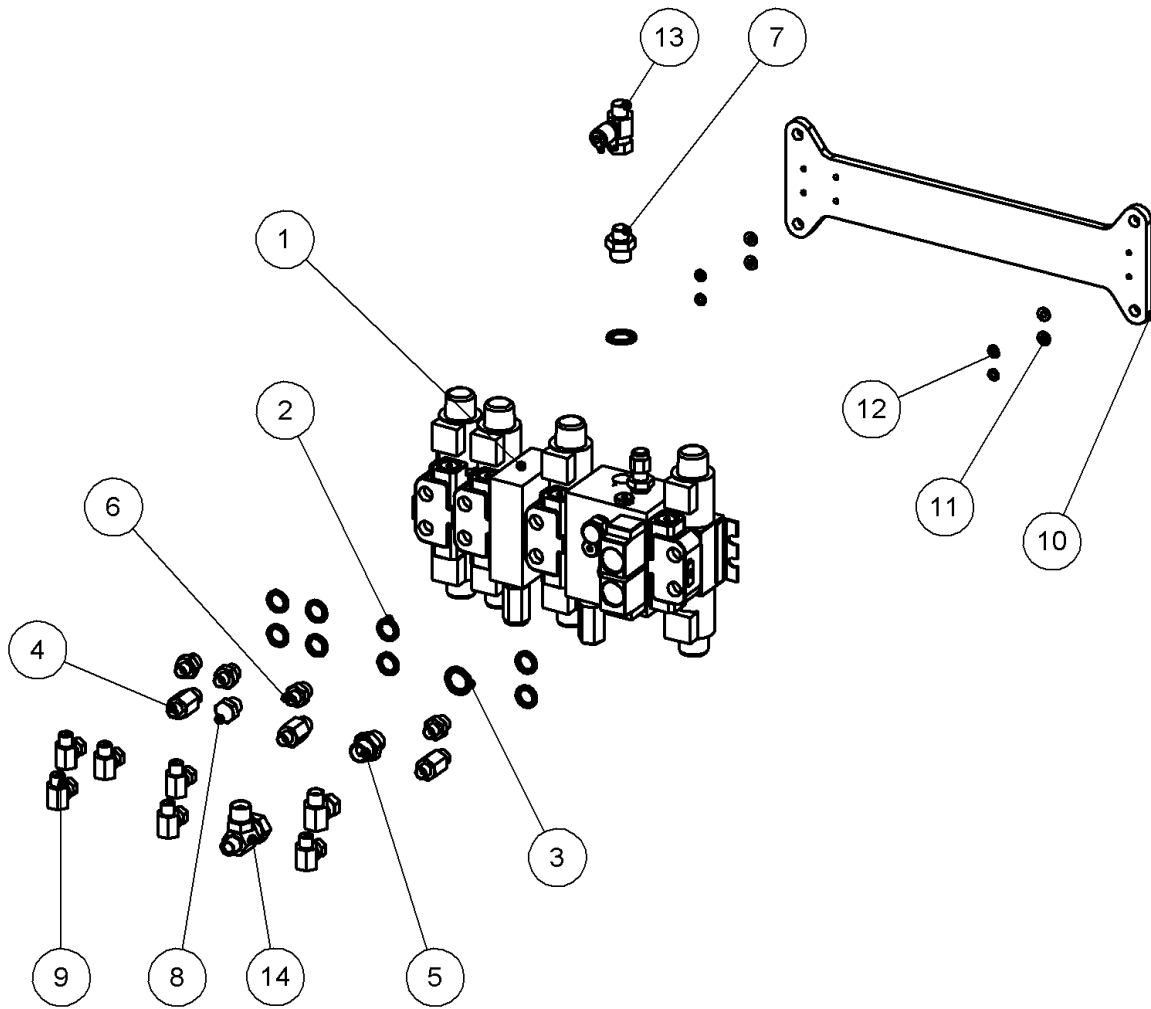
DMV CONTROL VALVE ASSY - 77.261.03



* 46622.21 - SEAL KIT FOR DMV VALVES

ITEM NO.	PART NUMBER	DESCRIPTION	QTY.
1	46622.23	DMV VALVE	1
2	05.290.04	BONDED SEAL 3/8" BSP	8
3	05.290.05	BONDED SEAL 1/2" BSP	2
4	05.819.02	ADAPTOR 1/4"BSPx3/8"BSP	3
5	05.122.01	ADAPTOR 1/2"BSPx1/2"BSP	1
6	01.099.01	ADAPTOR 1/4"BSPx3/8"BSP	4
7	05.123.01	ADAPTOR 3/8"BSPx1/2"BSP	1
8	05.433.01	PLUG 3/8"BSP	1
9	05.835.04	90 ADAPTOR M/F SWIVEL	7
10	46625.01	PLATE - VALVE MOUNTING	1
11	05.281.10	FLAT WASHER M6	4
12	05.282.07	SPRING WASHER M6	4
13	8131004	TEST ADAPTOR 3/8"BSP M/F	1
14	04.056.50	ADAPTOR - TEE 1/2M-3/8M-1/2F	1

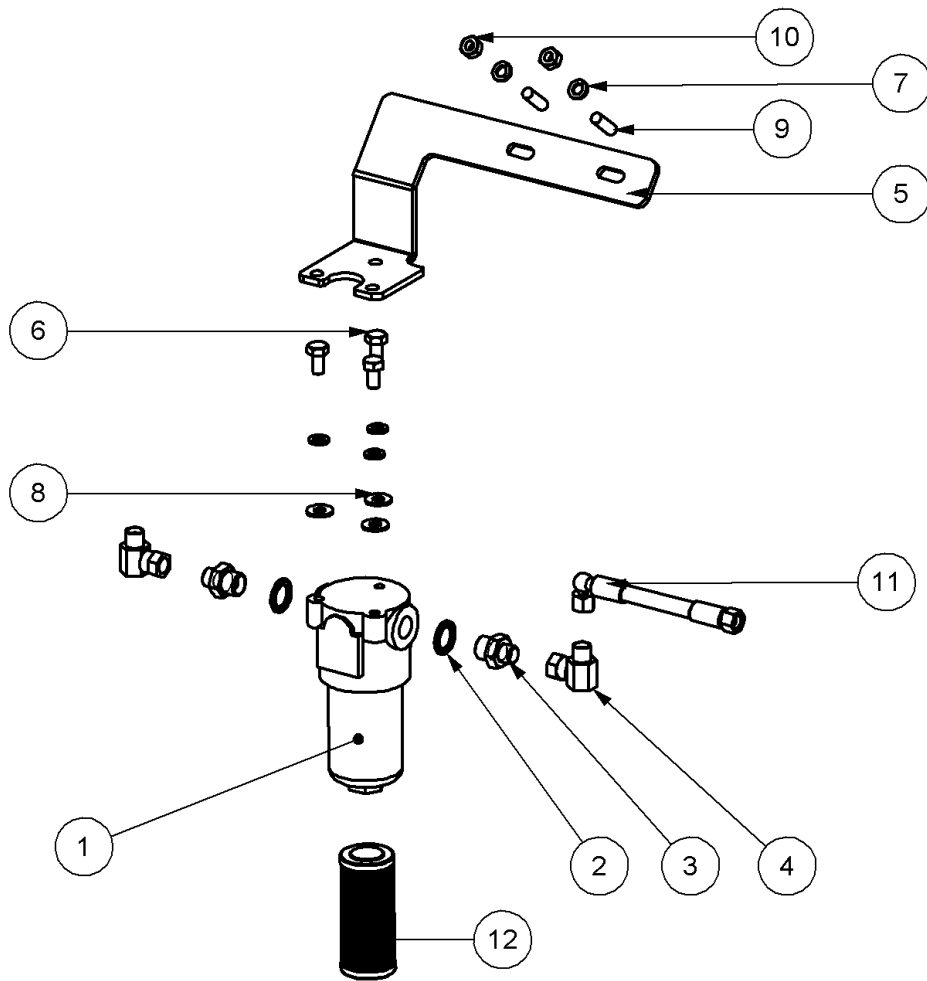
DMV CONTROL VALVE ASSY EPP11 - 76.427.30



* 46622.21 - SEAL KIT FOR DMV VALVES

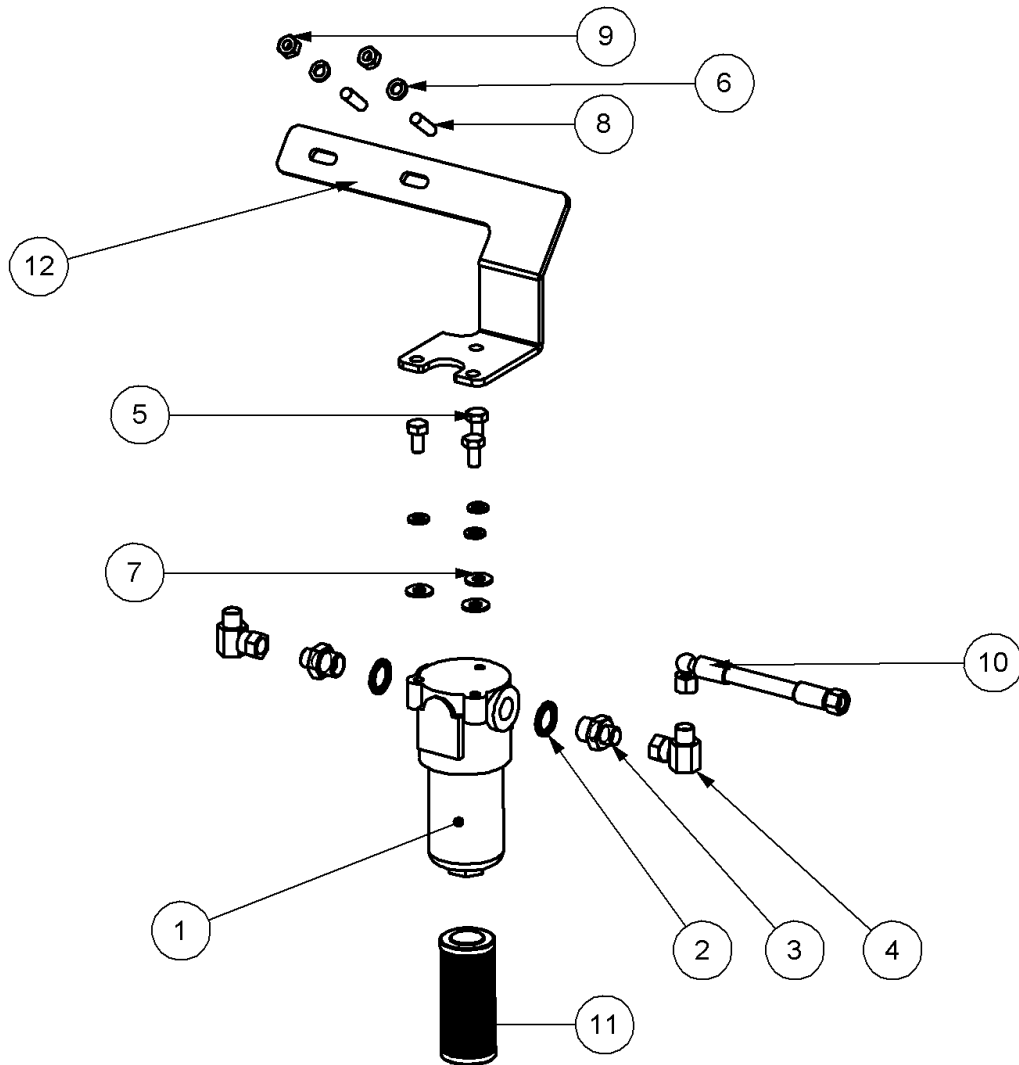
ITEM NO.	PART NUMBER	DESCRIPTION	QTY.
1	46622.12	DMV VALVE 4 SERV	1
2	05.290.04	BONDED SEAL 3/8" BSP	8
3	05.290.05	BONDED SEAL 1/2" BSP	2
4	05.819.02	ADAPTOR 1/4"BSPx3/8"BSP	3
5	05.122.01	ADAPTOR 1/2"BSPx1/2"BSP	1
6	01.099.01	ADAPTOR 1/4"BSPx3/8"BSP	4
7	05.123.01	ADAPTOR 3/8"BSPx1/2"BSP	1
8	05.433.01	PLUG 3/8"BSP	1
9	05.835.04	90 ADAPTOR M/F SWIVEL	6
10	46625.01	PLATE - VALVE MOUNTING	1
11	05.281.10	FLAT WASHER M6	4
12	05.282.07	SPRING WASHER M6	4
13	8131004	TEST ADAPTOR 3/8"BSP M/F	1
14	04.056.50	ADAPTOR - TEE 1/2M-3/8M-1/2F	1
15	05.835.01	90 ADAPTOR M/F SWIVEL	1

DMV VALVE FILTER ASSY - 77.550.03



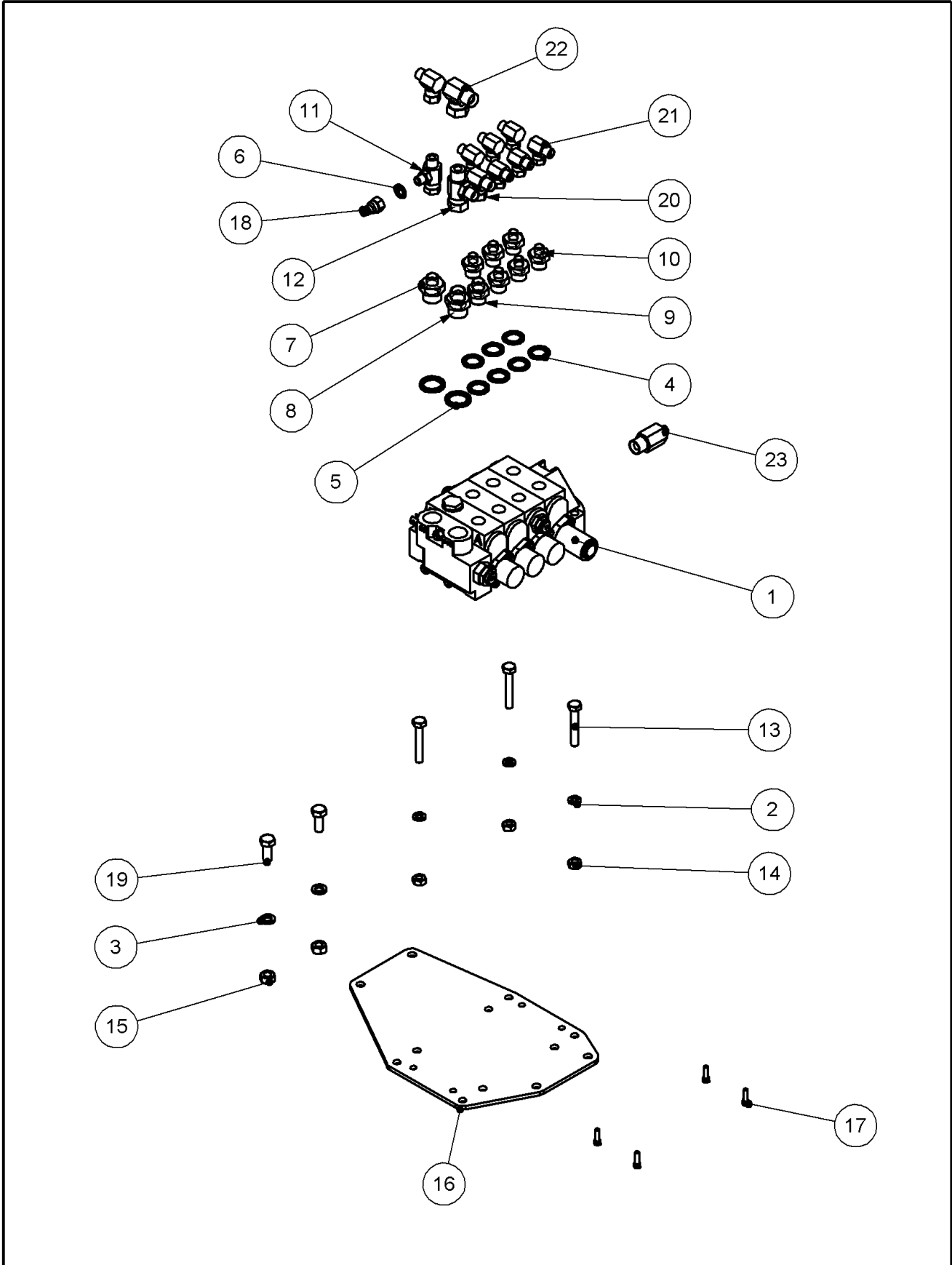
ITEM NO.	PART NUMBER	DESCRIPTION	QTY.
1	47563.01	MP FILTER	1
2	05.290.05	BONDED SEAL 1/2" BSP	2
3	05.123.01	ADAPTOR 3/8"BSPx1/2"BSP	2
4	05.835.01	90 ADAPTOR M/F SWIVEL	2
5	47431.07	FILTER MTG BRKT	1
6	05.264.11	SETSCREW M10x20	3
7	05.282.02	SPRING WASHER M10	5
8	05.281.02	FLAT WASHER M10	3
9	03.100.02	STUD M10 X 32	2
10	05.286.02	NUT M10	2
11	10.004.10	1/4"BSP FS/F90 400	1
12	47563.02	FILTER ELEMENT	0

DMV VALVE FILTER ASSY - 77.550.04



ITEM NO.	PART NUMBER	DESCRIPTION	QTY.
1	47563.01	MP FILTER	1
2	05.290.05	BONDED SEAL 1/2" BSP	2
3	05.123.01	ADAPTOR 3/8"BSPx1/2"BSP	2
4	05.835.01	90 ADAPTOR M/F SWIVEL	2
5	05.264.11	SETSCREW M10x20	3
6	05.282.02	SPRING WASHER M10	5
7	05.281.02	FLAT WASHER M10	3
8	03.100.02	STUD M10 X 32	2
9	05.286.02	NUT M10	2
10	10.004.10	1/4"BSP FS/F90 400	1
11	47563.02	FILTER ELEMENT	0
12	47431.08	FILTER BRACKET	1

VALVE ASSY CABLE 4 SERV - 77.133.01



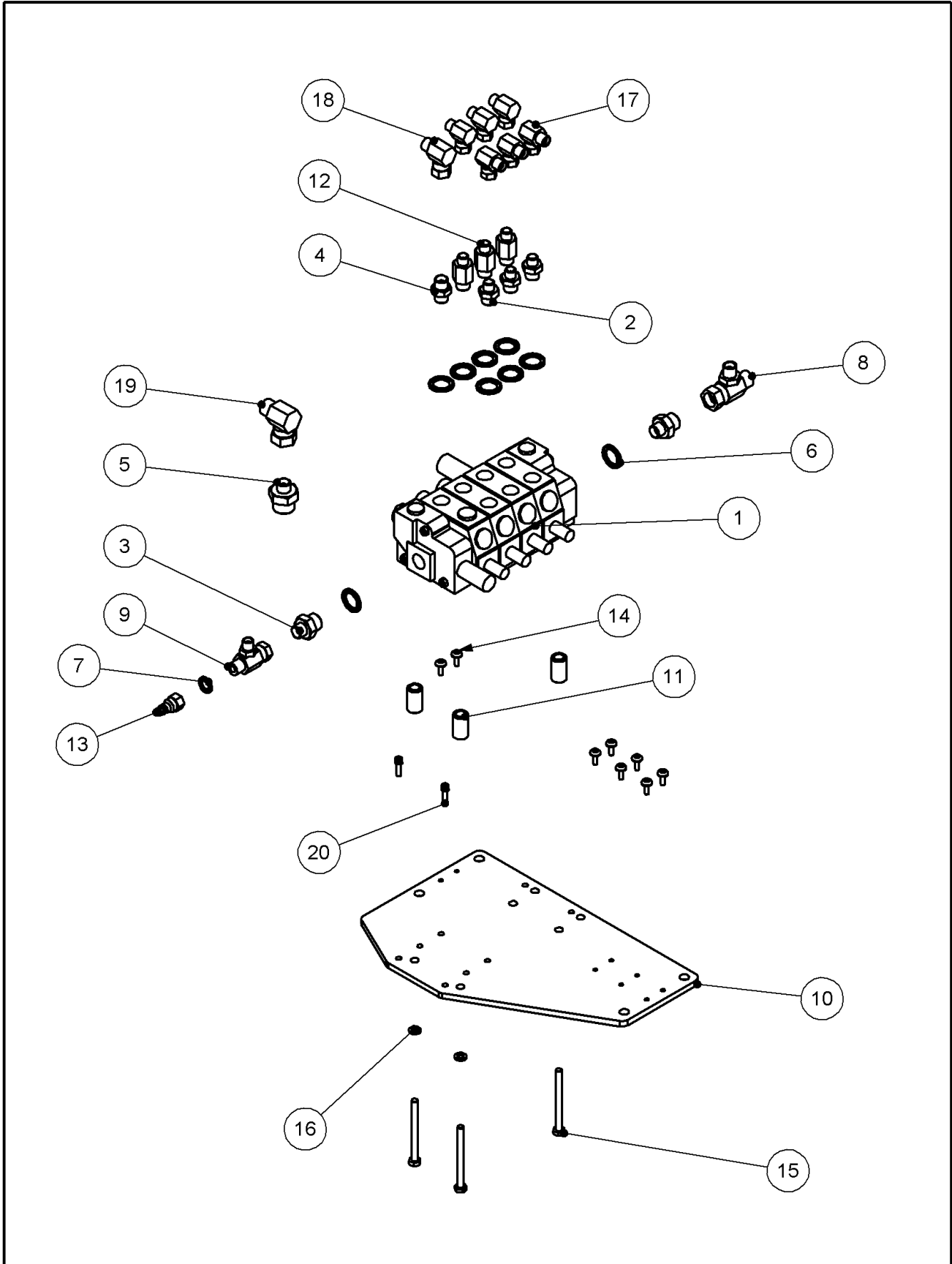
VALVE ASSY CABLE 4 SERV - 77.133.01

CONTROL VALVE ASSY CABLE 8852 - 77.133.01

ITEM NO.	PART NUMBER	DESCRIPTION	QTY.
1	41335.02	VALVE ASSY - 4 SPOOL	1
2	05.282.02	SPRING WASHER M10	3
3	05.282.03	SPRING WASHER M12	2
4	05.290.05	BONDED SEAL 1/2" BSP	7
5	05.290.06	BONDED SEAL 3/4" BSP	2
6	05.290.02	BONDED SEAL 1/4" BSP	1
7	05.128.01	ADAPTOR 3/8"BSPx3/4"BSP	1
8	05.376.01	ADAPTOR 1/2"BSPx3/4"BSP	1
9	05.123.01	ADAPTOR 3/8"BSPx1/2"BSP	1
10	01.099.03	ADAPTOR 1/4"BSPx1/2"BSP	6
11	04.056.16	TEE ADAPTOR FMM	1
12	04.056.40	TEE ADAPTOR FMM	1
13	05.291.18	BOLT M10x65	3
14	05.286.02	NUT M10	3
15	05.286.03	NUT M12	2
16	46094.01	PLATE - VALVE MOUNTING CABLE	1
17	0342061	SKT CAPSCREW 1/4"	8
18	05.146.12	COUPLING - QUIK 1/4	1
19	05.264.23	SETSCREW M12x30	2
20	05.835.01	90 ADAPTOR M/F SWIVEL	2
21	05.835.04	90 ADAPTOR M/F SWIVEL	7
22	05.835.05	90 ADAPTOR M/F SWIVEL	1
23	06.286.01	ADAPTOR EXTENDED 1/2"X1/4" BSP	3

* 41335.25 - SEAL KIT FOR 41335.02 CABLE CTRL VALVE

CONTROL VALVE ASSY 4 SERVICE - 77.344.01

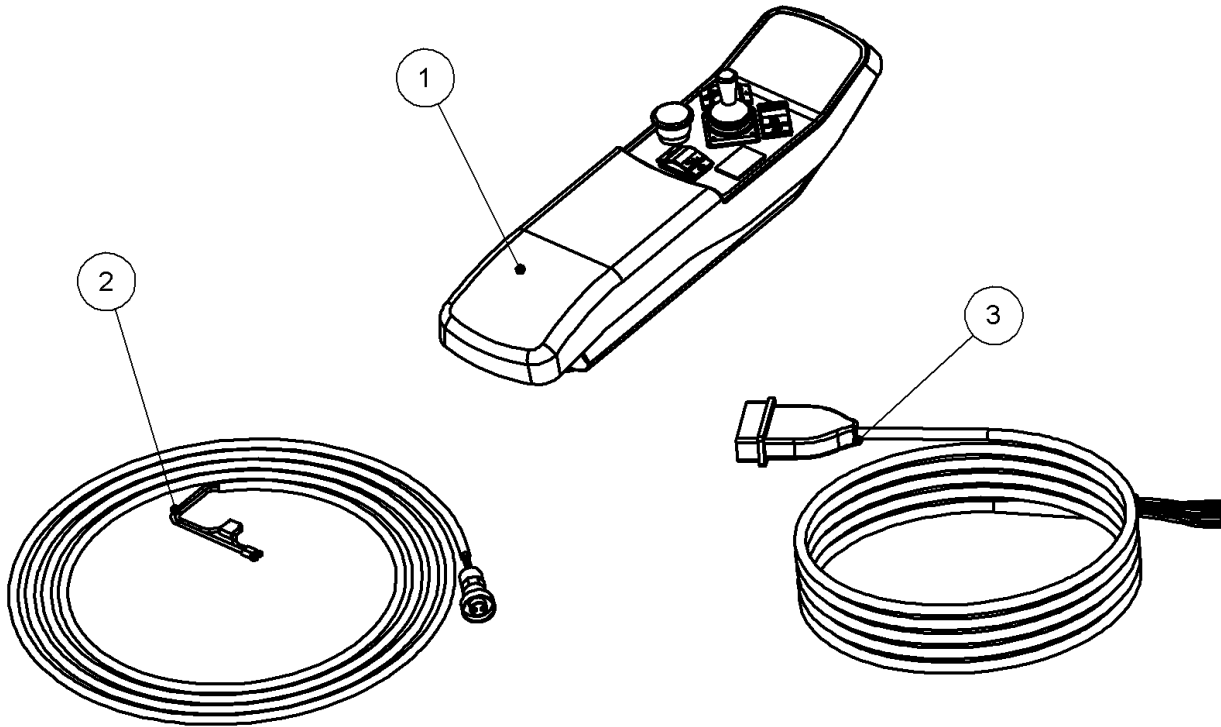


CONTROL VALVE ASSY 4 SERVICE - 77.344.01

CONTROL VALVE ASSEMBLY CABLE - 77.344.01

ITEM NO.	PART NUMBER	DESCRIPTION	QTY.
1	47745.01	VALVE SD6 4 SECTION	1
2	01.099.01	ADAPTOR 1/4"BSPx3/8"BSP	3
3	05.123.01	ADAPTOR 3/8"BSPx1/2"BSP	2
4	05.124.01	ADAPTOR 3/8"BSPx3/8"BSP	2
5	05.128.01	ADAPTOR 3/8"BSPx3/4"BSP	1
6	05.290.05	BONDED SEAL 1/2" BSP	9
7	05.290.02	BONDED SEAL 1/4" BSP	1
8	04.056.40	TEE ADAPTOR FMM	1
9	04.056.16	TEE ADAPTOR FMM	1
10	46924.32	VALVE MTG PLATE - 8MM	1
11	46924.31	SPACER	3
12	05.819.02	ADAPTOR 1/4"BSPx3/8"BSP	3
13	05.146.12	COUPLING - QUIK 1/4	1
14	05.625.39	SKT CAPSCREW M5 X 16	8
15	05.292.02	BOLT M8x90	3
16	05.282.01	SPRING WASHER M8	3
17	05.835.04	90 ADAPTOR M/F SWIVEL	7
18	05.835.01	90 ADAPTOR M/F SWIVEL	2
19	05.835.05	90 ADAPTOR M/F SWIVEL	1
20	0342061	SKT CAPSCREW 1/4"	2

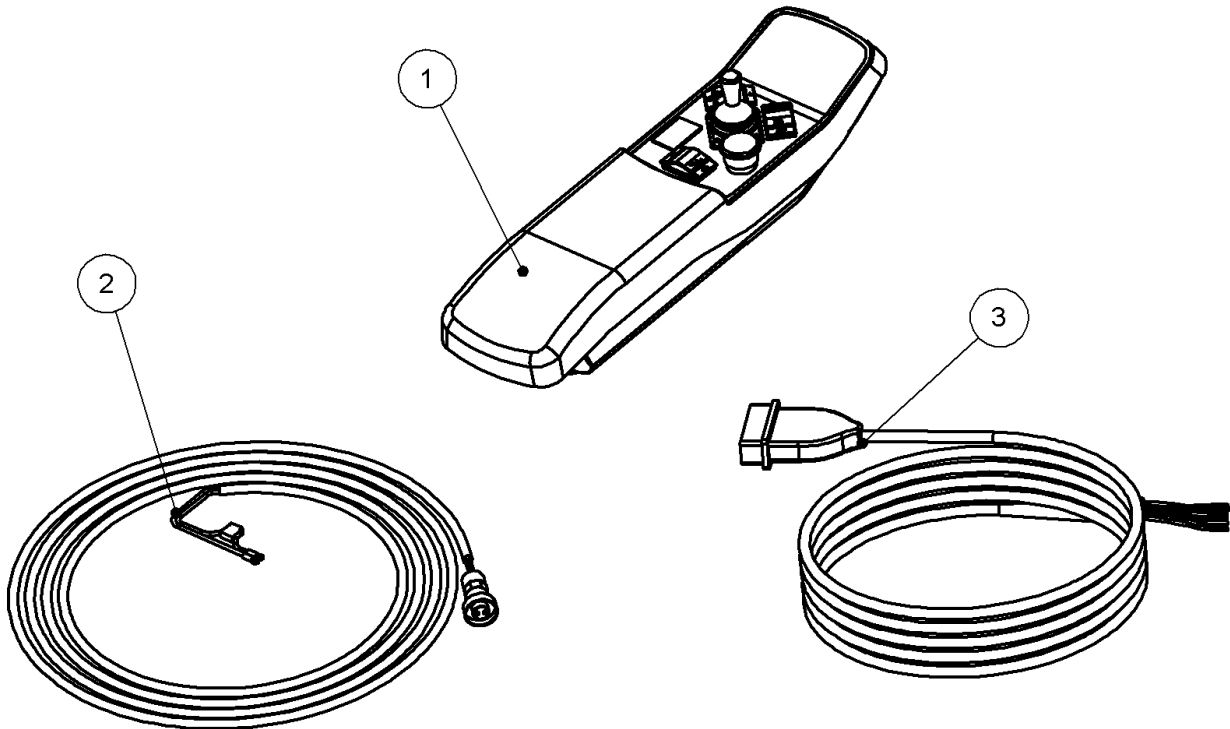
EPP11 4SV + HF ASSY LH - 76.426.07



- * WIRING DIAGRAM - 42197.97
- * WIRING DIAGRAM - 42197.98
- * STD DIGITAL PCB - 42226.84
- * DECAL SET EPP11 LH - 42226.96

ITEM NO.	PART NUMBER	DESCRIPTION	QTY.
1	42226.13	CONTROL BOX 4 SERVICE LH	1
	47542.11	ARM REST ASSEMBLY	0
	47542.02	LOWER ARM REST	0
	47542.03	UPPER BOX EPP2 RH	0
	41786.33	SWITCH E/STOP	0
	41786.34	JOYSTICK ASSY	0
	41786.35	SWITCH ASSY COWL	0
	41786.38	SWITCH ASSY HEAD FLOAT	0
	41786.36	SWITCH ASSY SLEW	0
		48046.31	BLANKING PLUG
2	08.987.01	CABLE ASSY - 2 SORE	1
3	42197.12	WIRE LOOM	1

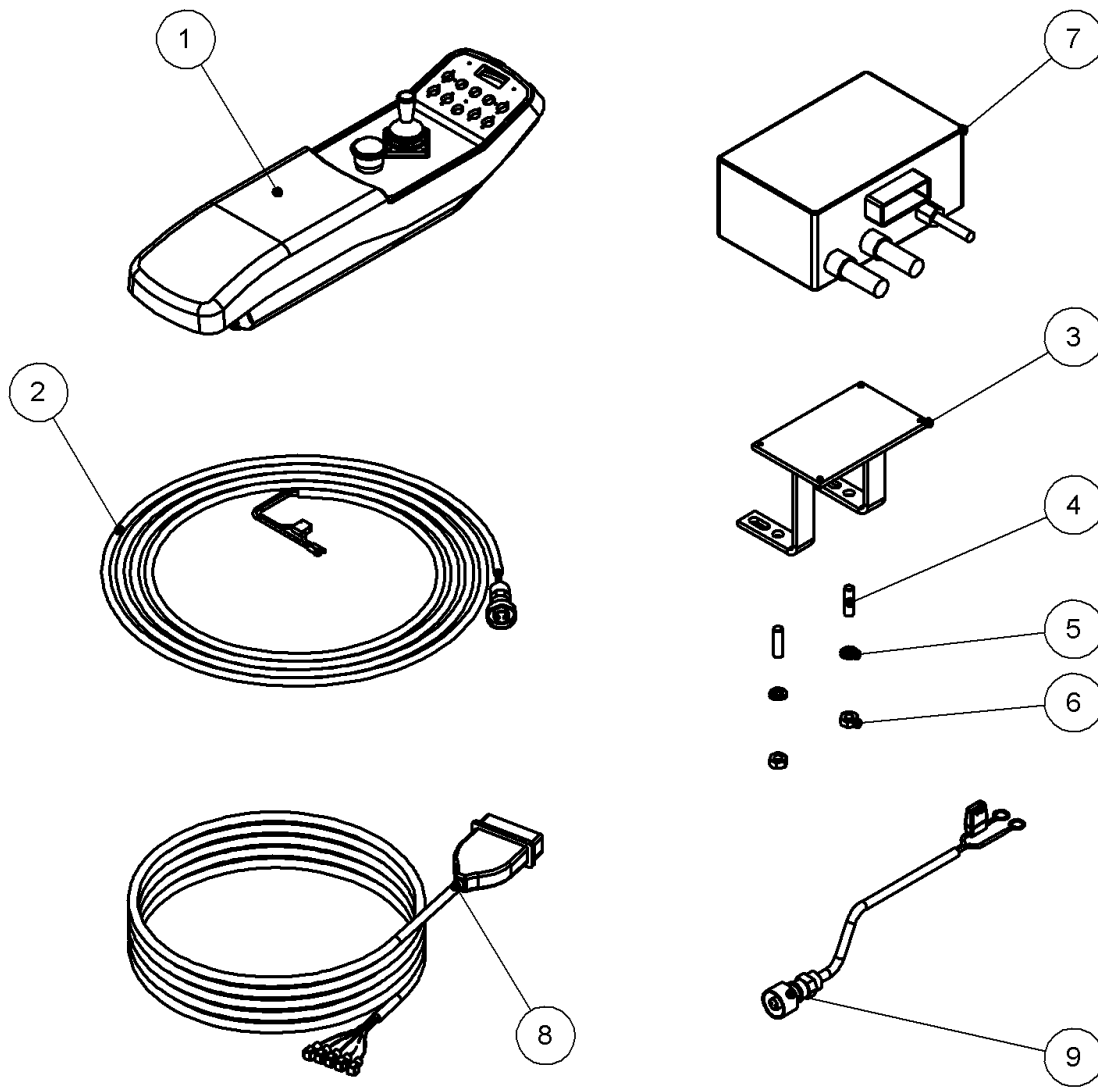
EPP11 4SV + HF RCA ASSY RH - 76.426.08



- * WIRING DIAGRAM - 42197.97
- * WIRING DIAGRAM - 42197.98
- * STD DIGITAL PCB - 42226.84
- * DECAL SET EPP11 RH - 42226.95

ITEM NO.	PART NUMBER	DESCRIPTION	QTY.
1	42226.14	CONTROL BOX 4 SERVICE RH	1
	47542.10	ARM REST ASSEMBLY	0
	47542.02	LOWER ARM REST	0
	47542.01	UPPER ARM REST	0
	41786.33	SWITCH E/STOP	0
	41786.34	JOYSTICK ASSY	0
	41786.35	SWITCH ASSY COWL	0
	41786.38	SWITCH ASSY HEAD FLOAT	0
	41786.36	SWITCH ASSY SLEW	0
	48046.31	BLANKING PLUG	0
	2	08.987.01	CABLE ASSY - 2 SORE
3	42197.12	WIRE LOOM	1

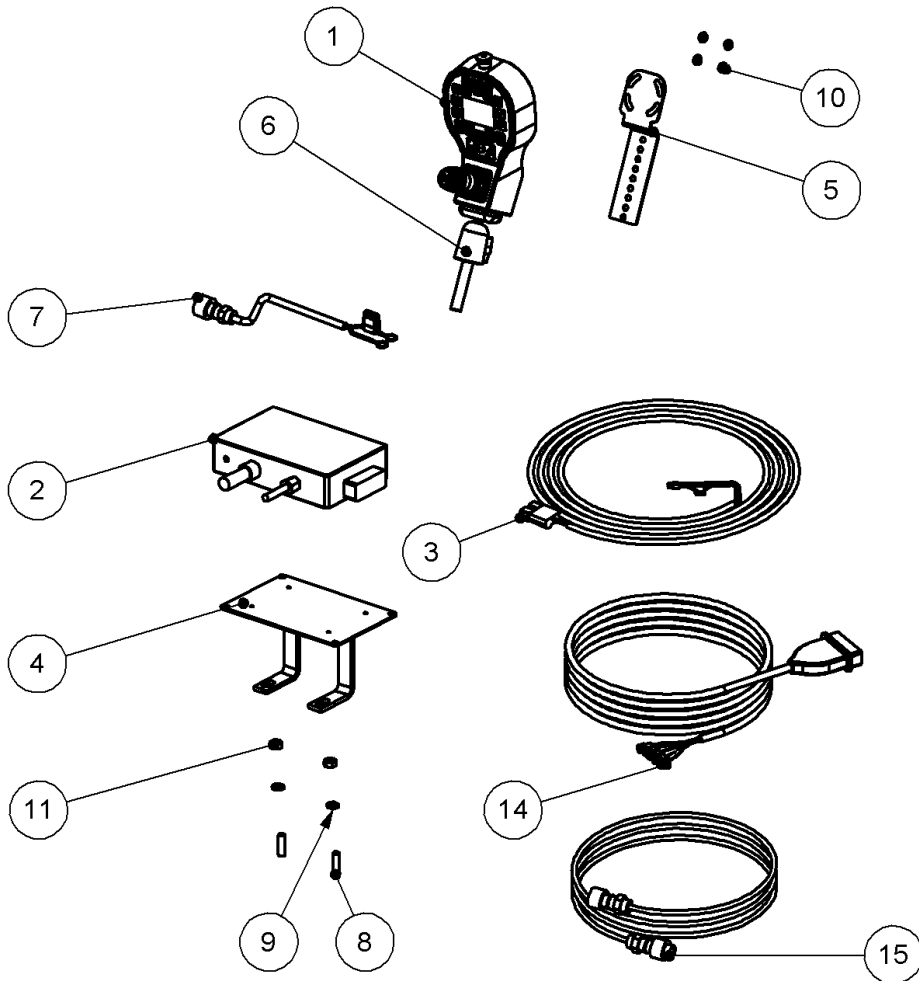
RCA ASSY - DCU 4SV+M 8852 - 77.142.01



* LOOM - DCU CONTROL BOX - 45711.01
 * LOOM - MOTOR CONTROL - 45714.01

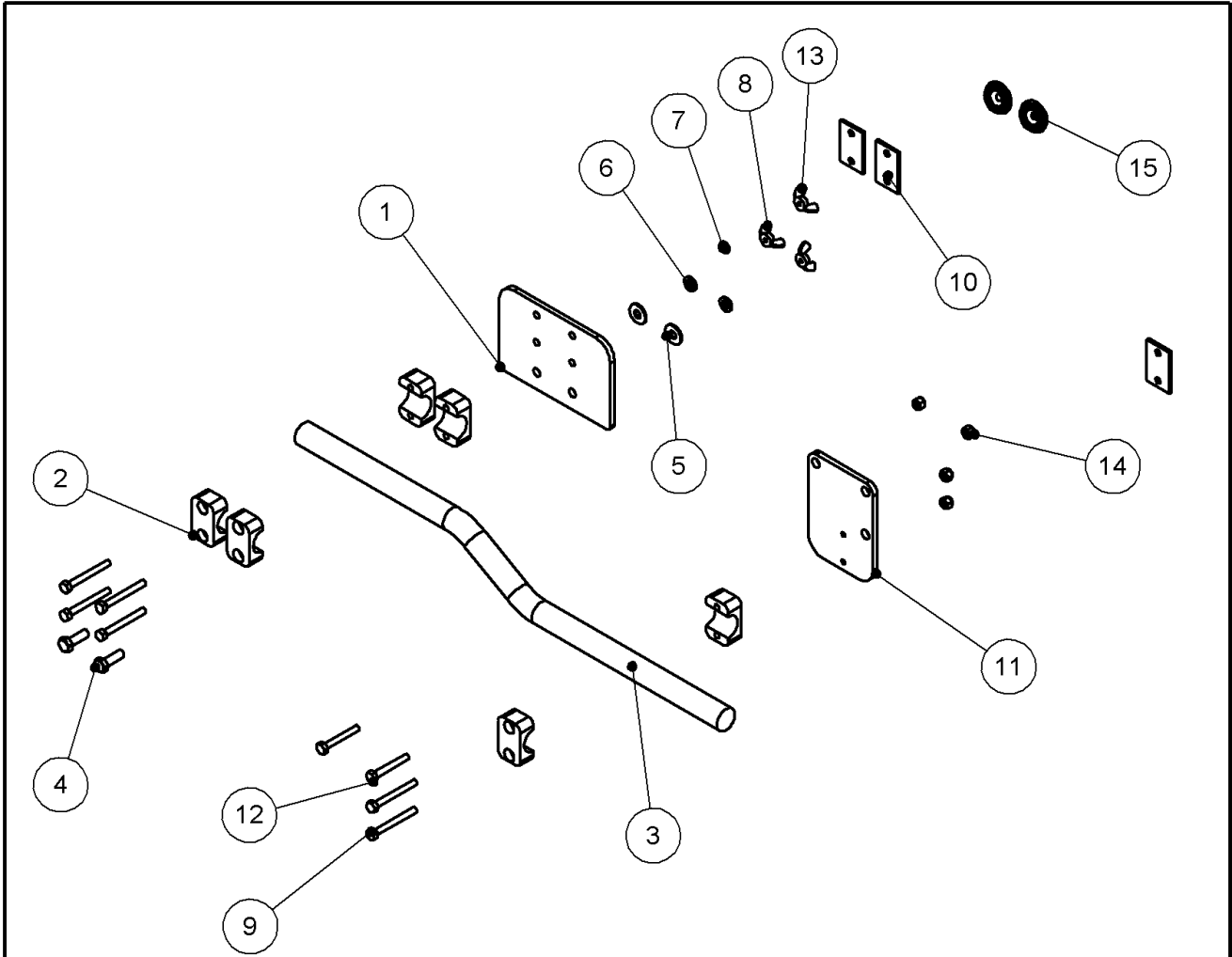
ITEM NO.	PART NUMBER	DESCRIPTION	QTY.
1	45710.04	CONTROL BOX DCU	1
2	08.987.01	CABLE ASSY - 2 SORE	1
3	46137.01	BRACKET - DCU	1
4	03.100.01	STUD M10x34	2
5	05.282.02	SPRING WASHER M10	2
6	05.286.02	NUT M10	2
7	45715.02	ECU BOX ASSY - 4SV	1
8	45713.02	LOOM - ECU 4 SV EPP3	0
9	43034.01	BLADE FUSE 15 AMP	0

RCA ECU ASSY ICS BASIC - 77.285.01



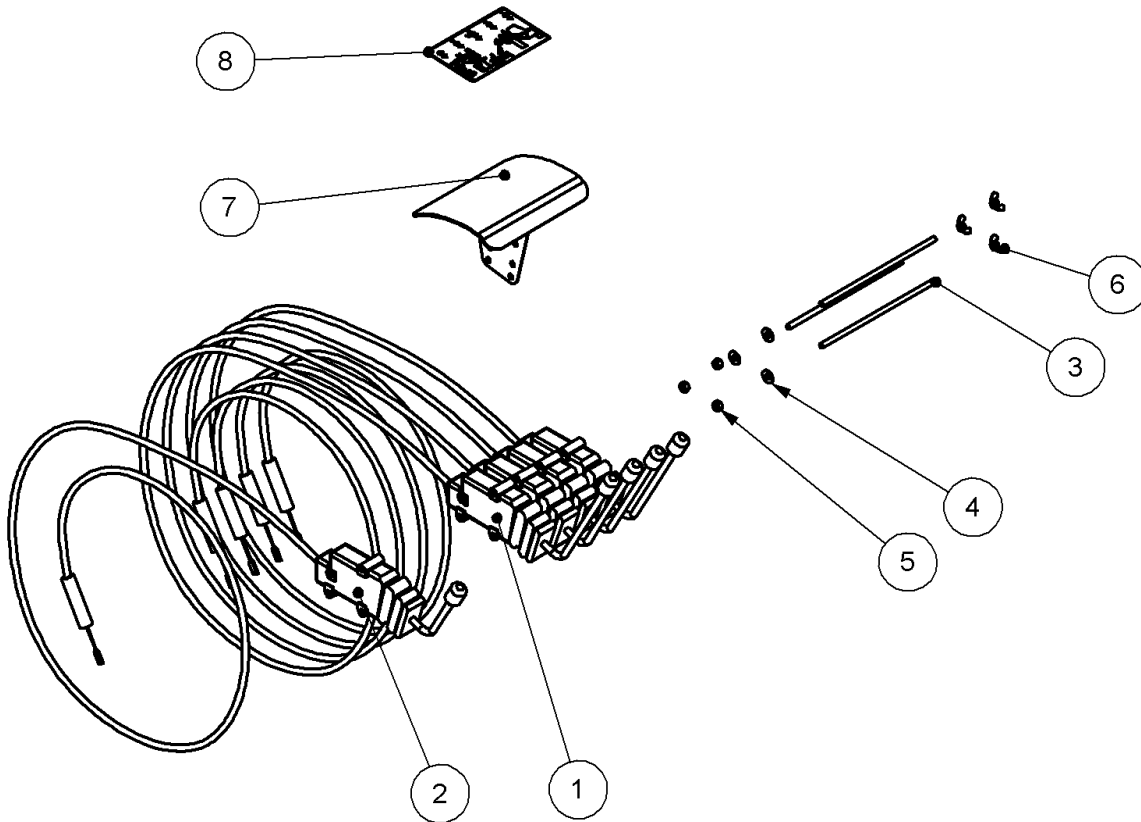
ITEM NO.	PART NUMBER	DESCRIPTION	QTY.
1	46728.01	ICS CONTROL BOX	1
2	46795.01	ICS ECU BOX	1
3	46796.02	POWER LOOM	1
4	46800.01	ICS ECU BRACKET	1
5	46873.01	MOUNTING PLATE	1
6	46679.01	ARM REST CLAMP	1
7	43034.03	BLADE FUSE 30AMP	0
8	03.100.01	STUD M10x34	2
9	05.282.02	SPRING WASHER M10	2
10	05.281.10	FLAT WASHER M6	4
11	05.286.02	NUT M10	2
12	07.835.02	GASKET FOR HIRSCHMAN CONNECTOR	13
13	07.835.03	SCREW FOR HIRSCHMAN CONNECTOR	13
14	46797.01	VALVE SOLENOID WIRING LOOM	1
15	46817.01	CAN LOOM	1

EPPIIM RCA CAB SIDE MNT 6359 - 76.426.25



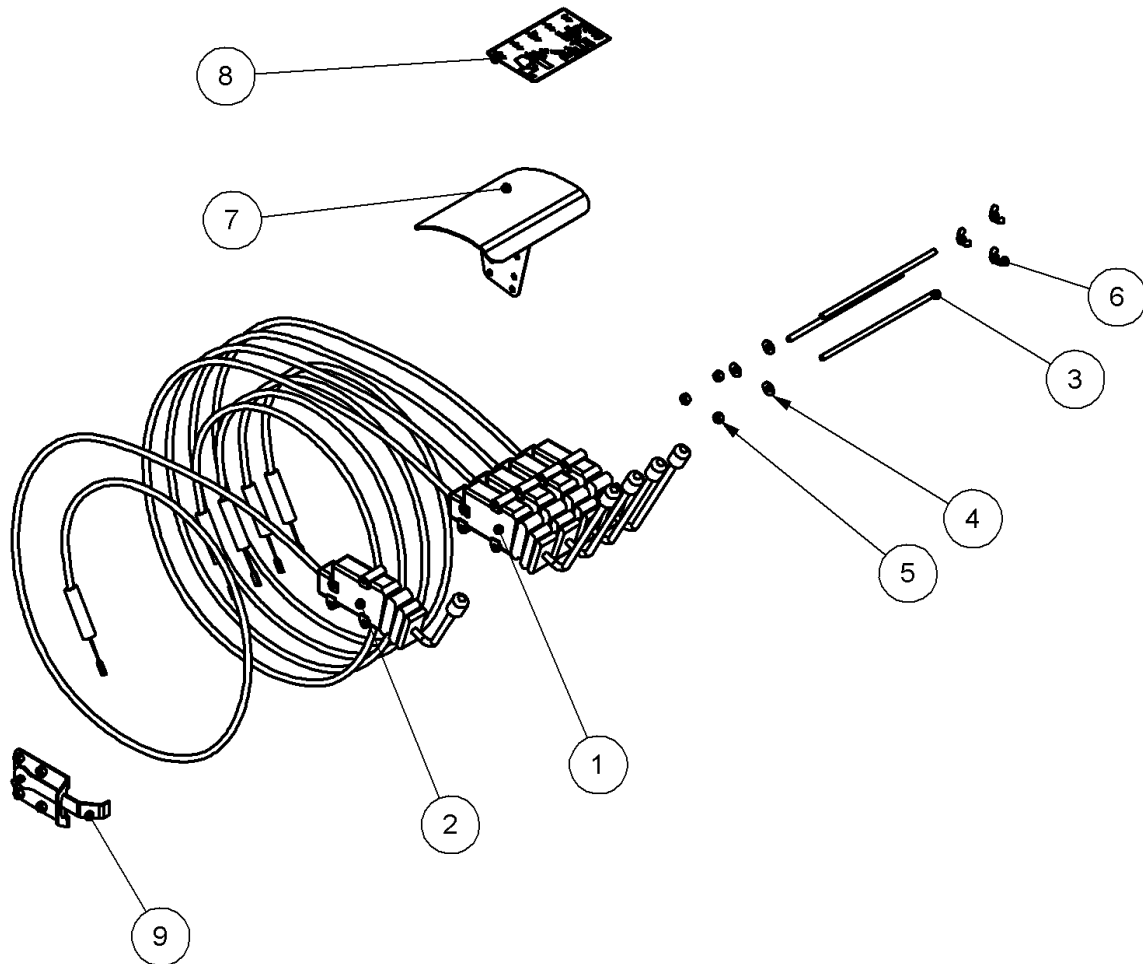
ITEM NO.	PART NUMBER	DESCRIPTION	QTY.
1	08.317.01	PLATE 6	1
2	30.209.71	1" PIPE CLAMP	6
3	42312.02	BRACKET - MOUNTING	1
4	05.264.02	SETSCREW M8x25	2
5	05.281.01	FLAT WASHER M8	2
6	05.282.01	SPRING WASHER M8	2
7	05.282.07	SPRING WASHER M6	3
8	05.948.07	WING NUT M8	2
9	30.068.90	M6 BOLTS	7
10	30.209.73	COVER PLATE	3
11	41.046.01	PLATE -LVR MTG - 6MM	1
12	30.068.88	BOLT M6 X 45MM	2
13	05.948.37	WINGNUT- M6	3
14	30.070.64	NUT NYLOC M6 Z/P	4
15	06.729.02	PLUG - PLASTIC 1"X10	2

REMOTE CONTROL CABLE LH 9069 - 74.647.09



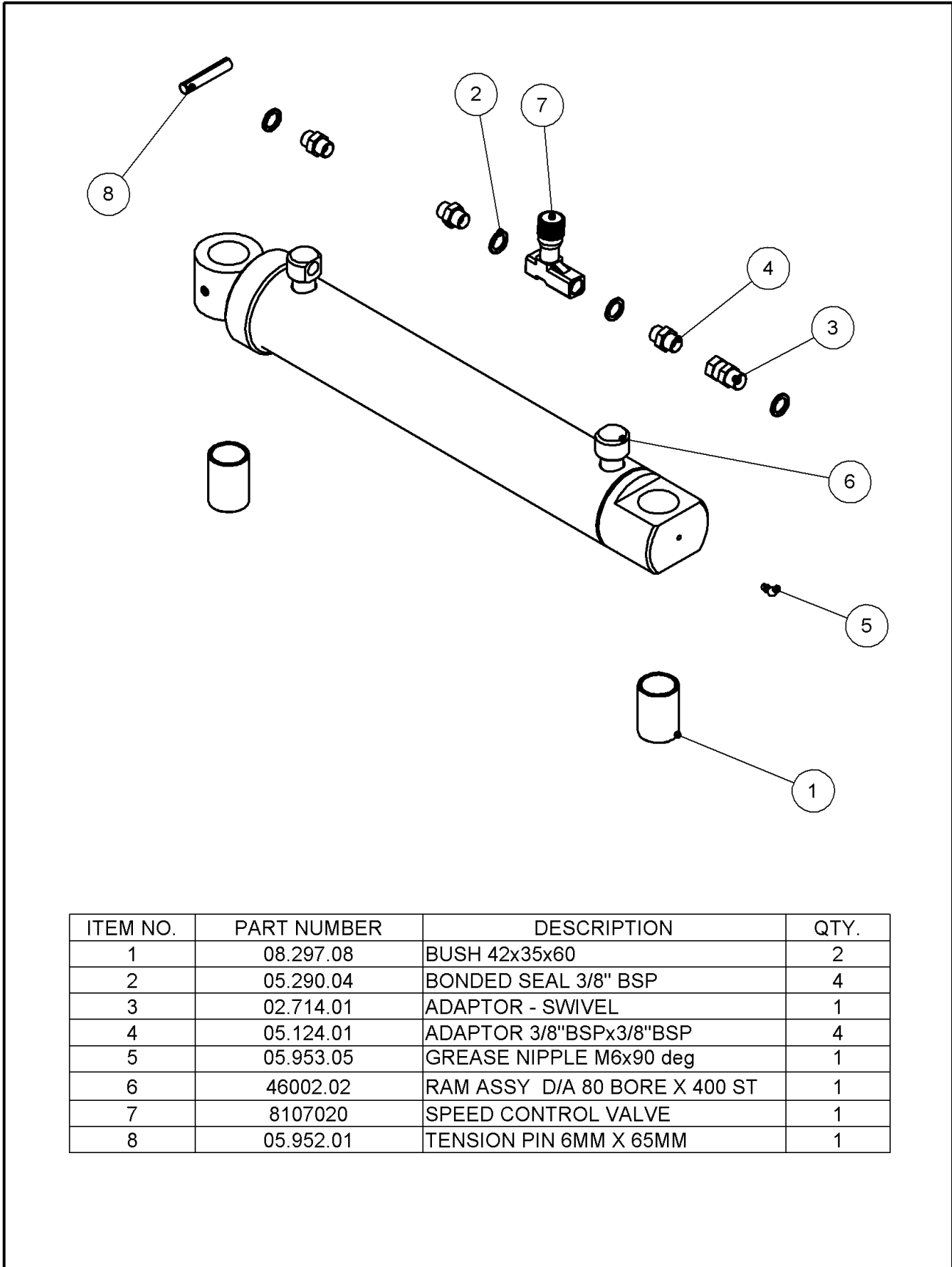
ITEM NO.	PART NUMBER	DESCRIPTION	QTY.
1	04.265.96	R.C. ASSY 3.0M LONG BLACK	4
2	04.265.93	R.C.ASSY 4.0M SHT RED DIV FK	1
3	04.282.43	STUD M8 X240	3
4	05.281.01	FLAT WASHER M8	3
5	05.286.01	NUT M8	3
6	05.948.07	WING NUT M8	3
7	42256.03	ARM REST 4 BOWDEN CABLES	1
8	09.916.01	DECAL - LEVER OP. 5 LEVER LH	1

REMOTE CONTROL CABLE RH 9069 - 74.647.10



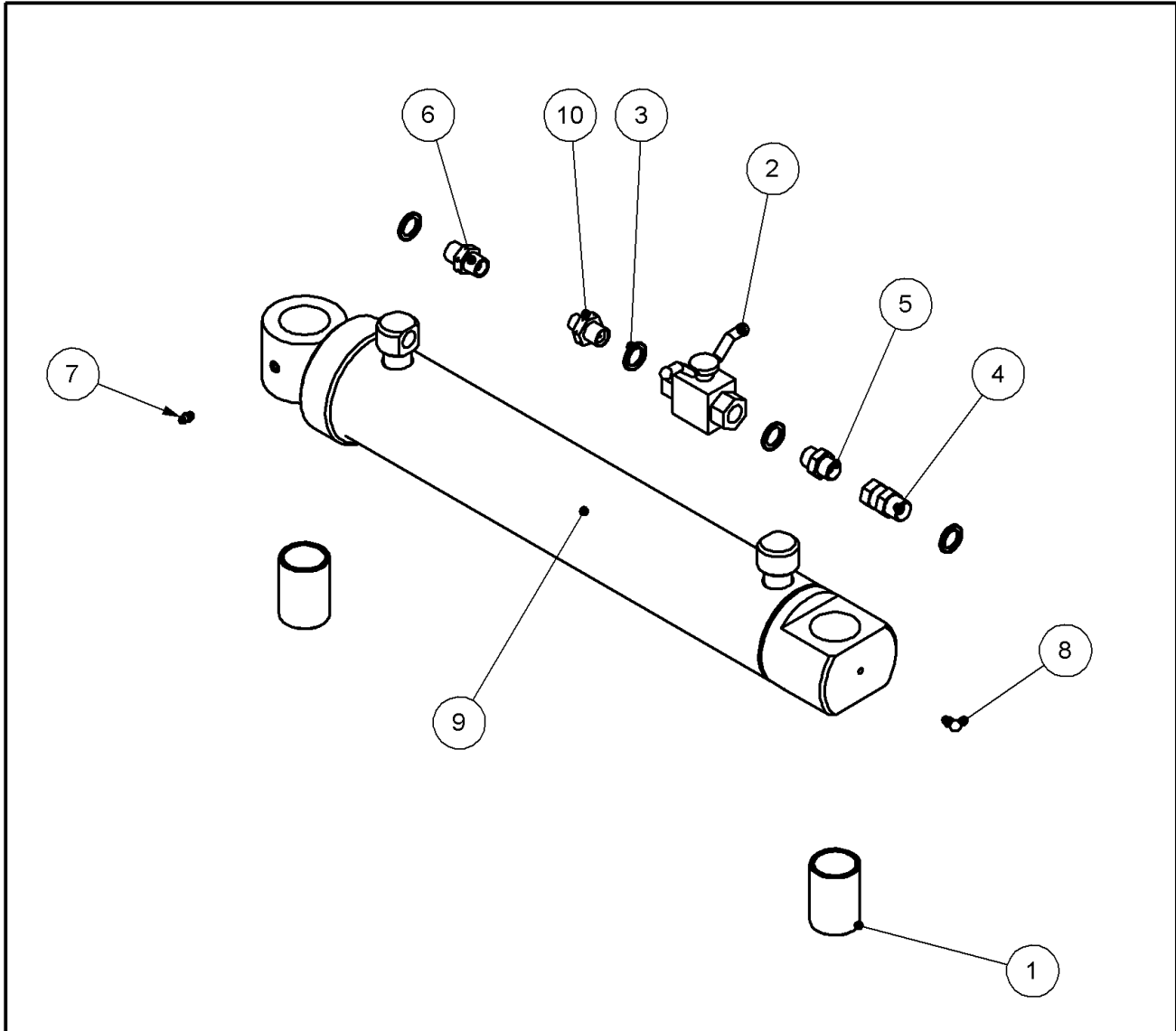
ITEM NO.	PART NUMBER	DESCRIPTION	QTY.
1	04.265.96	R.C. ASSY 3.0M LONG BLACK	4
2	04.265.94	R.C.ASSY4.0M SHT RED SD14 9069	1
3	04.282.43	STUD M8 X240	3
4	05.281.01	FLAT WASHER M8	3
5	05.286.01	NUT M8	3
6	05.948.07	WING NUT M8	3
7	42256.03	ARM REST 4 BOWDEN CABLES	1
8	09.916.02	DECAL - LEVER OP. 5 LEVER RH	1
9	42511.01	LEVER BALKING ASSY	1

RAM ASSY FIRST PAR E - 77.104.03



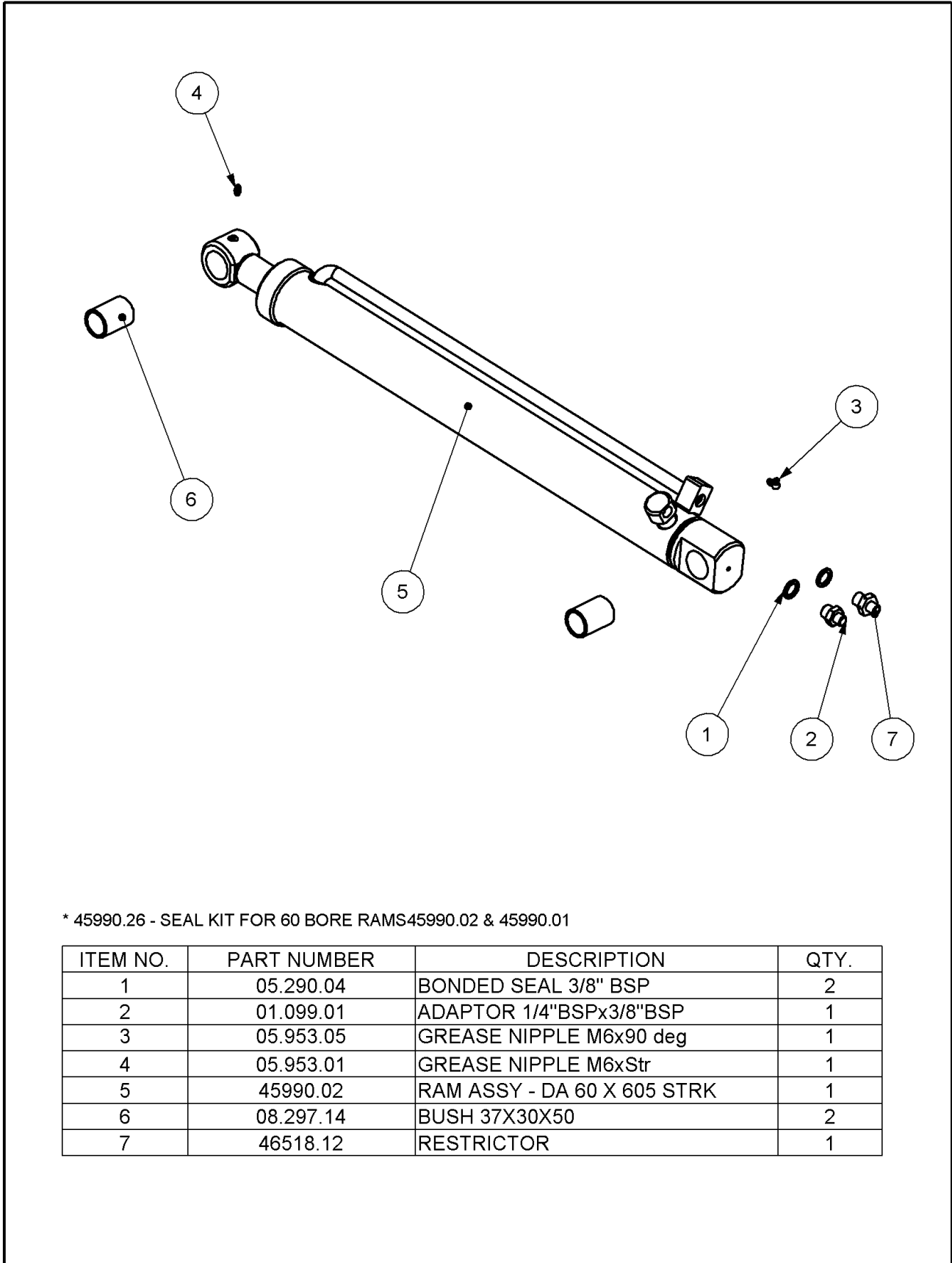
ITEM NO.	PART NUMBER	DESCRIPTION	QTY.
1	08.297.08	BUSH 42x35x60	2
2	05.290.04	BONDED SEAL 3/8" BSP	4
3	02.714.01	ADAPTOR - SWIVEL	1
4	05.124.01	ADAPTOR 3/8"BSPx3/8"BSP	4
5	05.953.05	GREASE NIPPLE M6x90 deg	1
6	46002.02	RAM ASSY D/A 80 BORE X 400 ST	1
7	8107020	SPEED CONTROL VALVE	1
8	05.952.01	TENSION PIN 6MM X 65MM	1

RAM ASSY FIRST CABLE - 77.104.04



ITEM NO.	PART NUMBER	DESCRIPTION	QTY.
1	08.297.08	BUSH 42x35x60	2
2	08.200.01	VALVE - ISOLATING	1
3	05.290.04	BONDED SEAL 3/8" BSP	4
4	02.714.01	ADAPTOR - SWIVEL	1
5	05.124.01	ADAPTOR 3/8"BSPx3/8"BSP	2
6	46518.01	RESTRICTOR	1
7	05.953.01	GREASE NIPPLE M6xStr	1
8	05.953.05	GREASE NIPPLE M6x90 deg	1
9	46002.02	RAM ASSY D/A 80 BORE X 400 ST	1
10	46518.08	RESTRICTOR	1

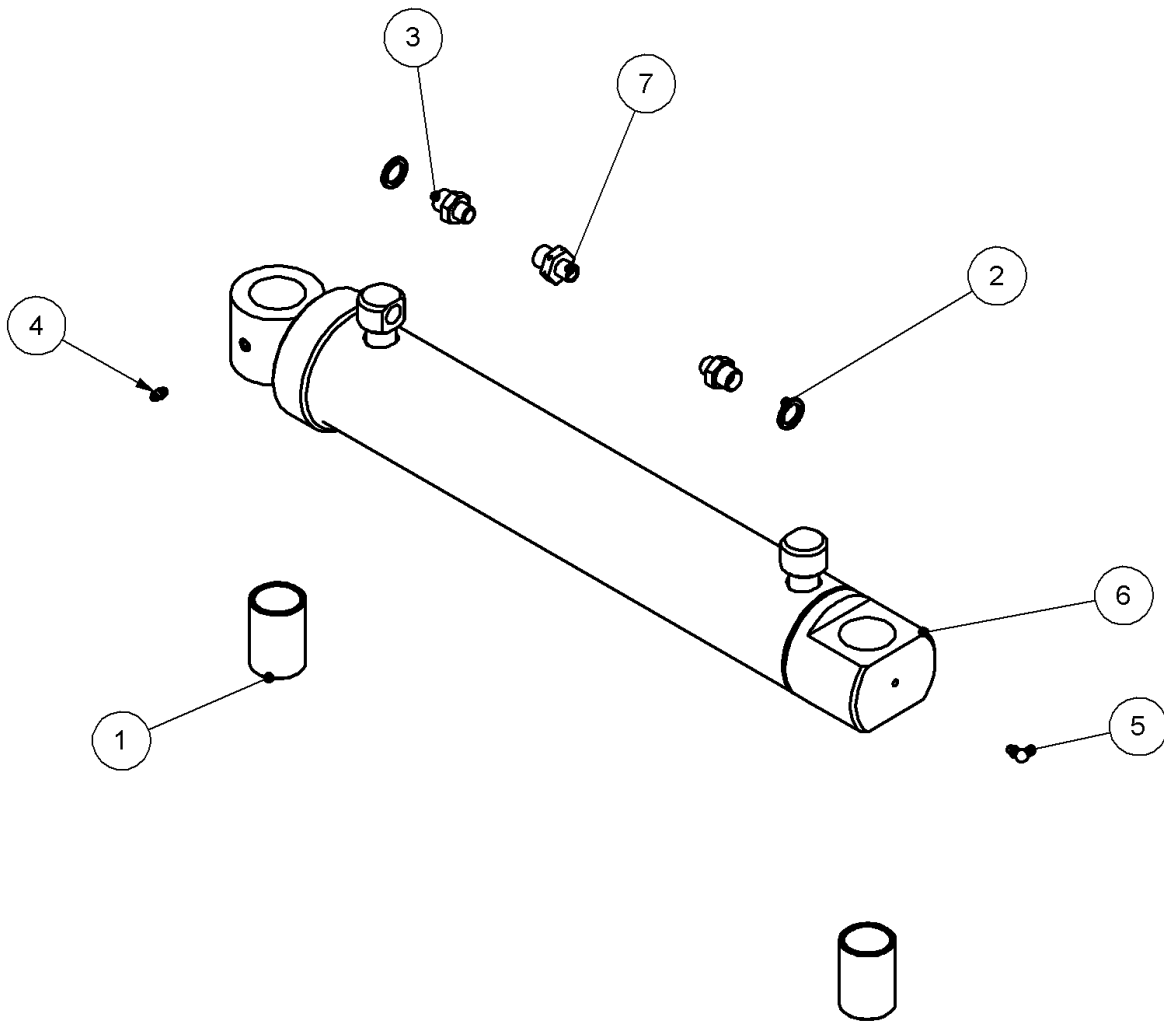
RAM ASSY - SECOND 88 - 77.114.01



* 45990.26 - SEAL KIT FOR 60 BORE RAMS45990.02 & 45990.01

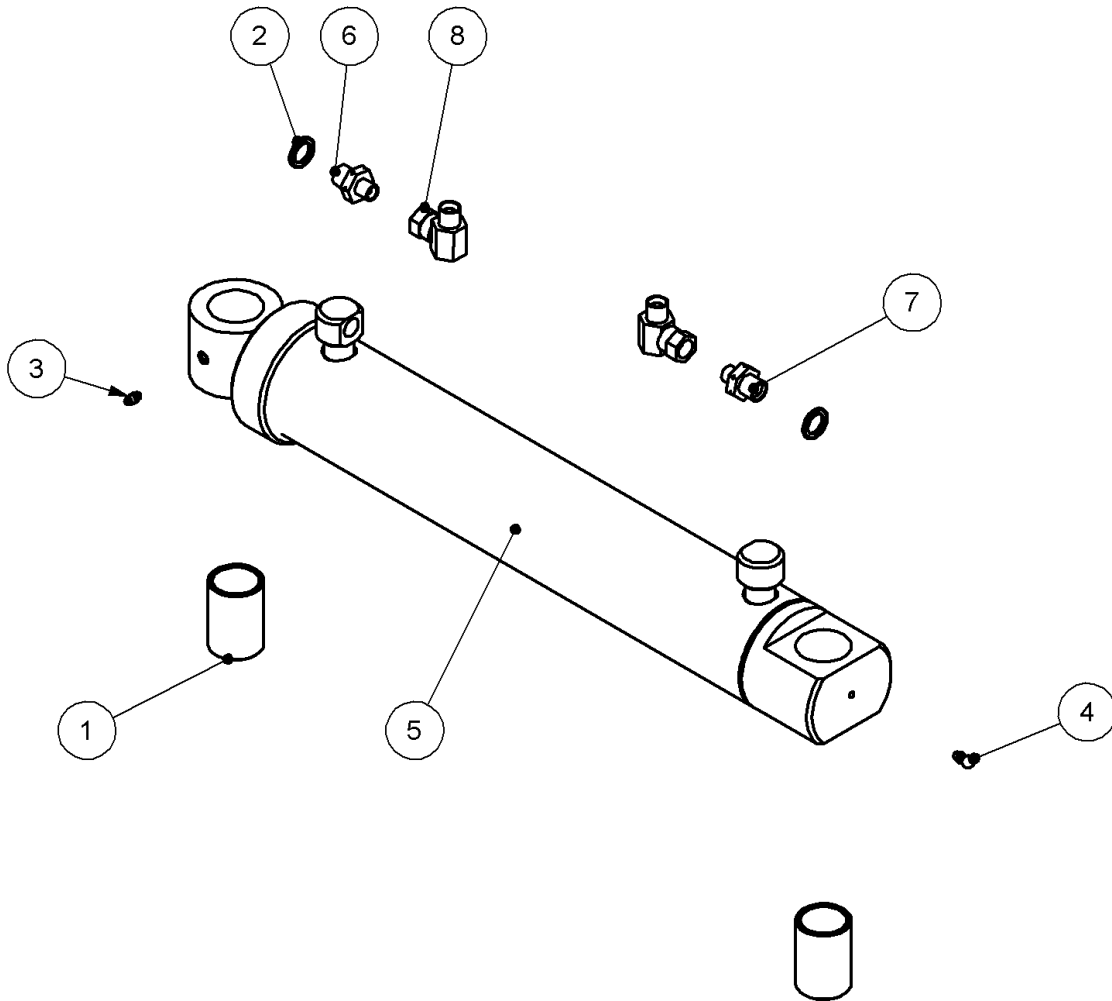
ITEM NO.	PART NUMBER	DESCRIPTION	QTY.
1	05.290.04	BONDED SEAL 3/8" BSP	2
2	01.099.01	ADAPTOR 1/4"BSPx3/8"BSP	1
3	05.953.05	GREASE NIPPLE M6x90 deg	1
4	05.953.01	GREASE NIPPLE M6xStr	1
5	45990.02	RAM ASSY - DA 60 X 605 STRK	1
6	08.297.14	BUSH 37X30X50	2
7	46518.12	RESTRICTOR	1

RAM ASSY SECOND ELEC - 77.114.03



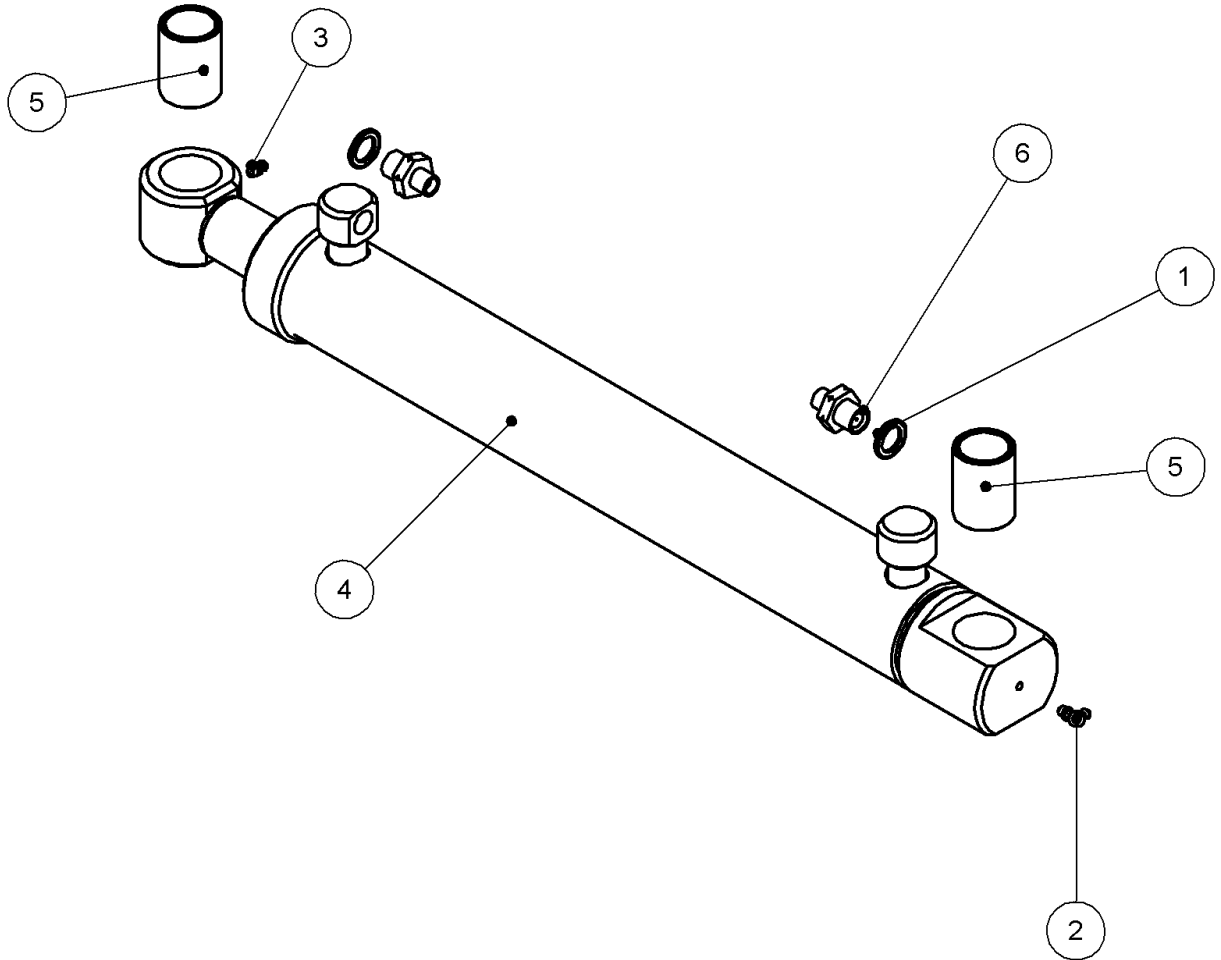
ITEM NO.	PART NUMBER	DESCRIPTION	QTY.
1	08.297.08	BUSH 42x35x60	2
2	05.290.04	BONDED SEAL 3/8" BSP	2
3	01.099.01	ADAPTOR 1/4"BSPx3/8"BSP	2
4	05.953.01	GREASE NIPPLE M6xStr	1
5	05.953.05	GREASE NIPPLE M6x90 deg	1
6	46002.02	RAM ASSY D/A 80 BORE X 400 ST	1
7	46518.12	RESTRICTOR	1

RAM ASSY SECOND CABLE - 77.114.04



ITEM NO.	PART NUMBER	DESCRIPTION	QTY.
1	08.297.08	BUSH 42x35x60	2
2	05.290.04	BONDED SEAL 3/8" BSP	2
3	05.953.01	GREASE NIPPLE M6xStr	1
4	05.953.05	GREASE NIPPLE M6x90 deg	1
5	46002.02	RAM ASSY D/A 80 BORE X 400 ST	1
6	46518.12	RESTRICTOR	1
7	46518.08	RESTRICTOR	1
8	05.835.01	90 ADAPTOR M/F SWIVEL	2

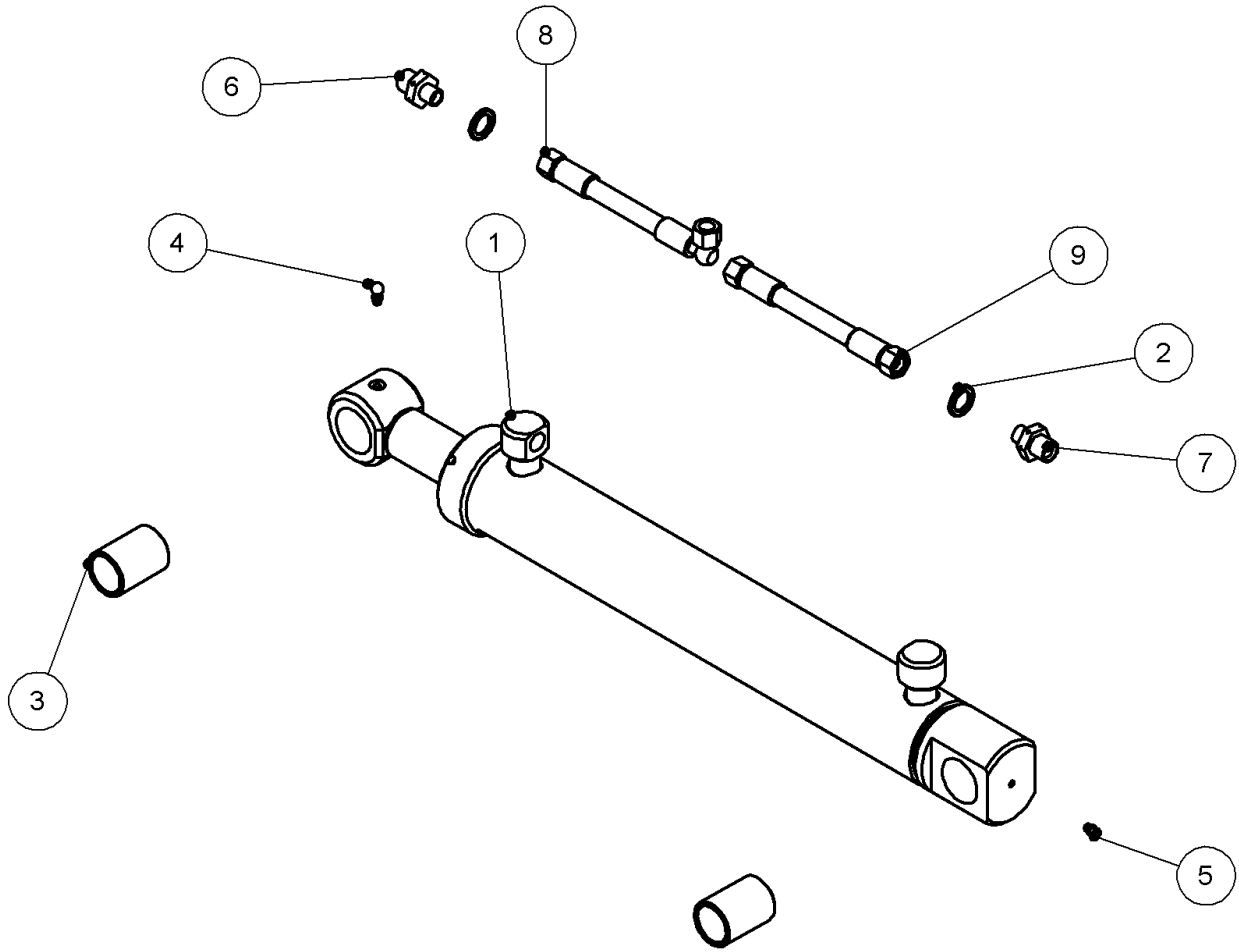
RAM ASSY COWL CABLE - 77.113.02



* SEAL KIT PART NO. - 45990.26

ITEM NO.	PART NUMBER	DESCRIPTION	QTY.
1	05.290.04	BONDED SEAL 3/8" BSP	2
2	05.953.05	GREASE NIPPLE M6x90 deg	1
3	05.953.01	GREASE NIPPLE M6xStr	1
4	45990.01	RAM ASSY - D/A 60 BOREX430STR	1
5	08.297.14	BUSH 37X30X50	2
6	46518.08	RESTRICTOR	2

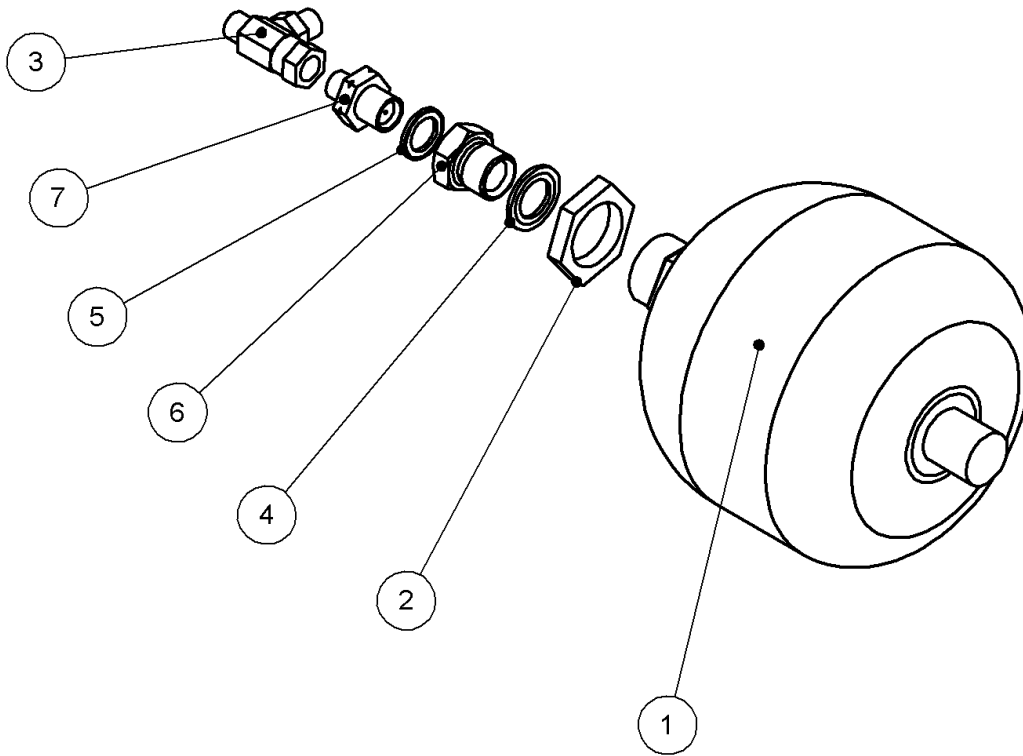
SLEW RAM KIT - 77.217.01



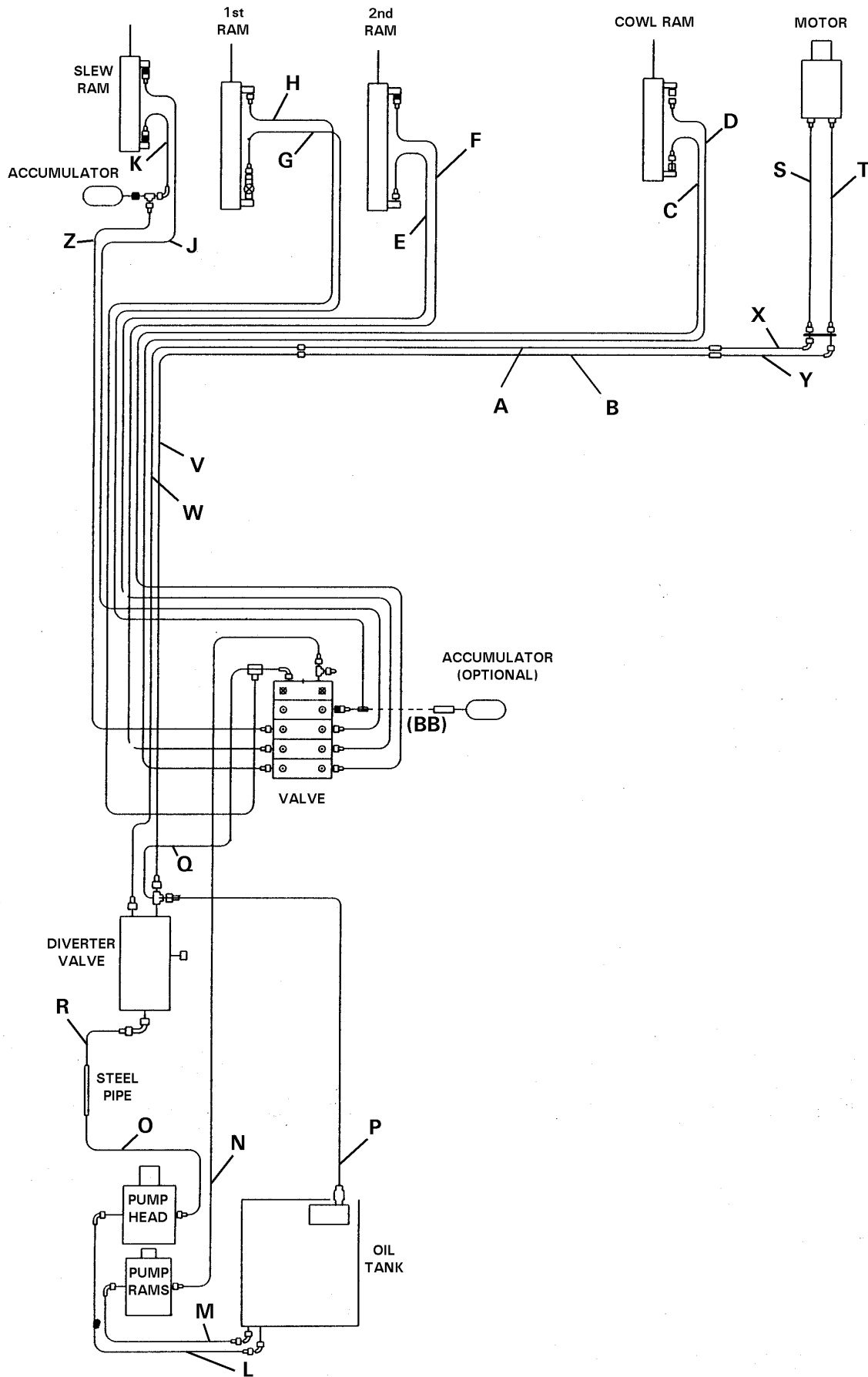
SEAL KIT PART No. - 45942.26

ITEM NO.	PART NUMBER	DESCRIPTION	QTY.
1	45942.01	RAM ASSY 60 BORE X 340 STK	1
2	05.290.04	BONDED SEAL 3/8" BSP	2
3	08.297.14	BUSH 37X30X50	2
4	05.953.05	GREASE NIPPLE M6x90 deg	1
5	05.953.01	GREASE NIPPLE M6xStr	1
6	46518.14	RESTRICTOR	1
7	46518.08	RESTRICTOR	1
8	10.002.10	1/4" BSP FS/F90 500	1
9	10.001.24	1/4" BSP FS/FS 1400	1

ACCUMULATOR - SLEW ASSY - 77.117.01



ITEM NO.	PART NUMBER	DESCRIPTION	QTY.
1	8126043	ACCUMULATOR 1.4LT - 90 BAR	1
2	8126035	NUT	1
3	04.056.10	TEE ADAPTOR FMM	1
4	05.290.00	BONDED SEAL 1/2" BSP	1
5	05.290.04	BONDED SEAL 3/8" BSP	1
6	8581284	ADAPTOR - M22X3/8BSP MF	1
7	46518.08	RESTRICTOR	1



REF	PART NO.	DESCRIPTION	QTY
46370.07 – HOSE SERV KIT HAWK 4.8P LH			
A	10.011.29	HOSE 1"BSP ST/ST X 1900 H.P.	1
B	10.011.29	HOSE 1"BSP ST/ST X 1900 H.P.	1
C	10.001.66	HOSE 1/4"BSP STXST S.SEAL 5600	1
D	10.001.66	HOSE 1/4"BSP STXST S.SEAL 5600	1
E	10.001.40	HOSE 1/4"BSP STXST S.SEAL 3000	1
F	10.001.40	HOSE 1/4"BSP STXST S.SEAL 3000	1
G	10.003.26	HOSE 3/8"BSP STXST S.SEAL 1600	1
H	10.003.26	HOSE 3/8"BSP STXST S.SEAL 1600	1
L	10.024.12	HOSE 1.5" BSP ST X ST 500	1
M	10.024.26	HOSE 1.1/2"BSP STX90 S.SL 470	1
N	10.004.25	HOSE 3/8"BSP STX90 S.SEAL 1500	1
O	10.010.14	HOSE 3/4"BSP STX90 S.SEAL 700	1
P	10.012.16	HOSE 1"BSP ST/90 S.SEAL 800	1
Q	10.006.21	HOSE 1/2"BSP STX90 S.SEAL 1100	1
R	10.012.17	HOSE 1"BSP STX09 S.SEAL 850	1
S	10.011.26	HOSE 1"BSP STXST S.SEAL 1600	1
T	10.011.26	HOSE 1"BSP STXST S.SEAL 1600	1
V	10.012.40	HOSE 1"BSP STX90 S.SEAL 3000	1
W	10.012.40	HOSE 1"BSP STX90 S.SEAL 3000	1
X	10.025.21	HOSE 1"BSP STX135 S.SEAL 1100	1
Y	10.025.22	HOSE 1"BSP STX135 S.SEAL 1200	1
BB	10.004.11	HOSE 3/8"BSP STX90 S.SEAL 550	1
46370.08 – HOSE SERV KIT HAWK 4.8P RH			
A	10.011.29	HOSE 1"BSP ST/ST X 1900 H.P.	1
B	10.011.29	HOSE 1"BSP ST/ST X 1900 H.P.	1
C	10.001.66	HOSE 1/4"BSP STXST S.SEAL 5600	1
D	10.001.66	HOSE 1/4"BSP STXST S.SEAL 5600	1
E	10.001.40	HOSE 1/4"BSP STXST S.SEAL 3000	1
F	10.001.40	HOSE 1/4"BSP STXST S.SEAL 3000	1
G	10.003.26	HOSE 3/8"BSP STXST S.SEAL 1600	1
H	10.003.26	HOSE 3/8"BSP STXST S.SEAL 1600	1
L	10.024.12	HOSE 1.5" BSP ST X ST 500	1
M	10.012.11	HOSE 1"BSP STX90 S.SEAL 550	1
N	10.004.25	HOSE 3/8"BSP STX90 S.SEAL 1500	1
O	10.010.16	3/4"BSP ST/90 SWT 800LG HOSE	1
P	10.012.14	HOSE 1"BSP STX90 S.SEAL 700	1
Q	10.006.21	HOSE 1/2"BSP STX90 S.SEAL 1100	1
R	10.012.17	HOSE 1"BSP STX09 S.SEAL 850	1
S	10.011.22	HOSE 1"BSP STXST S.SEAL 1200	1
T	10.011.22	HOSE 1"BSP STXST S.SEAL 1200	1
V	10.012.40	HOSE 1"BSP STX90 S.SEAL 3000	1
W	10.012.40	HOSE 1"BSP STX90 S.SEAL 3000	1
X	10.025.21	HOSE 1"BSP STX135 S.SEAL 1100	1
Y	10.025.22	HOSE 1"BSP STX135 S.SEAL 1200	1
BB	10.004.11	HOSE 3/8"BSP STX90 S.SEAL 550	1

REF	PART NO.	DESCRIPTION	QTY
46370.09 – HOSE SERV KIT HAWK 5.4P LH			
A	10.011.29	HOSE 1"BSP ST/ST X 1900 H.P.	1
B	10.011.29	HOSE 1"BSP ST/ST X 1900 H.P.	1
C	10.001.71	HOSE 1/4"BSP STXST S.SEAL 6100	1
D	10.001.71	HOSE 1/4"BSP STXST S.SEAL 6100	1
E	10.001.40	HOSE 1/4"BSP STXST S.SEAL 3000	1
F	10.001.40	HOSE 1/4"BSP STXST S.SEAL 3000	1
G	10.003.26	HOSE 3/8"BSP STXST S.SEAL 1600	1
H	10.003.26	HOSE 3/8"BSP STXST S.SEAL 1600	1
L	10.024.12	HOSE 1.5" BSP ST X ST 500	1
M	10.024.26	HOSE 1.1/2"BSP STX90 S.SL 470	1
N	10.004.25	HOSE 3/8"BSP STX90 S.SEAL 1500	1
O	10.010.14	HOSE 3/4"BSP STX90 S.SEAL 700	1
P	10.012.16	HOSE 1"BSP ST/90 S.SEAL 800	1
Q	10.006.21	HOSE 1/2"BSP STX90 S.SEAL 1100	1
R	10.012.17	HOSE 1"BSP STX09 S.SEAL 850	1
S	10.011.26	HOSE 1"BSP STXST S.SEAL 1600	1
T	10.011.26	HOSE 1"BSP STXST S.SEAL 1600	1
V	10.012.46	HOSE 1"BSP STX90 S.SEAL 3600	1
W	10.012.46	HOSE 1"BSP STX90 S.SEAL 3600	1
X	10.025.21	HOSE 1"BSP STX135 S.SEAL 1100	1
Y	10.025.22	HOSE 1"BSP STX135 S.SEAL 1200	1
BB	10.004.11	HOSE 3/8"BSP STX90 S.SEAL 550	1

46370.10 – HOSE SERV KIT HAWK 5.4P RH

A	10.011.29	HOSE 1"BSP ST/ST X 1900 H.P.	1
B	10.011.29	HOSE 1"BSP ST/ST X 1900 H.P.	1
C	10.001.71	HOSE 1/4"BSP STXST S.SEAL 6100	1
D	10.001.71	HOSE 1/4"BSP STXST S.SEAL 6100	1
E	10.001.40	HOSE 1/4"BSP STXST S.SEAL 3000	1
F	10.001.40	HOSE 1/4"BSP STXST S.SEAL 3000	1
G	10.003.26	HOSE 3/8"BSP STXST S.SEAL 1600	1
H	10.003.26	HOSE 3/8"BSP STXST S.SEAL 1600	1
L	10.024.12	HOSE 1.5" BSP ST X ST 500	1
M	10.012.11	HOSE 1"BSP STX90 S.SEAL 550	1
N	10.004.25	HOSE 3/8"BSP STX90 S.SEAL 1500	1
O	10.010.16	3/4"BSP ST/90 SWT 800LG HOSE	1
P	10.012.14	HOSE 1"BSP STX90 S.SEAL 700	1
Q	10.006.21	HOSE 1/2"BSP STX90 S.SEAL 1100	1
R	10.012.17	HOSE 1"BSP STX09 S.SEAL 850	1
S	10.011.26	HOSE 1"BSP STXST S.SEAL 1600	1
T	10.011.26	HOSE 1"BSP STXST S.SEAL 1600	1
V	10.012.46	HOSE 1"BSP STX90 S.SEAL 3600	1
W	10.012.46	HOSE 1"BSP STX90 S.SEAL 3600	1
X	10.025.21	HOSE 1"BSP STX135 S.SEAL 1100	1
Y	10.025.22	HOSE 1"BSP STX135 S.SEAL 1200	1
BB	10.004.11	HOSE 3/8"BSP STX90 S.SEAL 550	1

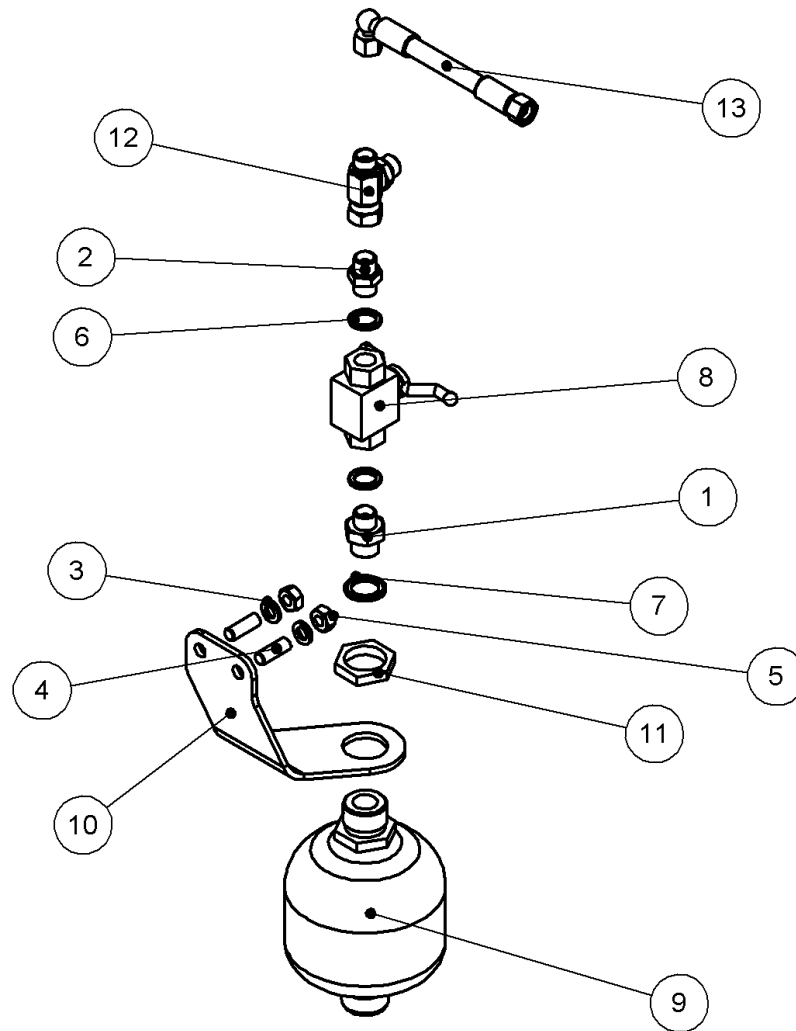
DECALS - ENGINEERING - 77.138.01

ITEM NO.	PART NUMBER	DESCRIPTION	QTY.
1	08.632.01	DECAL - TRANSPORT	1
2	09.811.04	DECAL - 540 MAX A CW	1
3	09.821.28	DECALS - EURO DECAL MINIATURISED	1
4	09.821.32	DECALS - EURO DECAL MINIATURISED	1
5	09.821.33	DECALS - EURO DECAL MINIATURISED	1
6	09.821.34	09.821.34	1
7	09.843.06	DECAL - LIFT POINT 1500 KG	1
8	09.845.01	DECAL - APPROVED OILS	1
9	09.846.02	DECAL - OIL FILTER CHANGE	1
10	46.681.01	DECAL - LEG POSITION WHEN PARKED	1

77.214.02/04 DECALS MARKETING

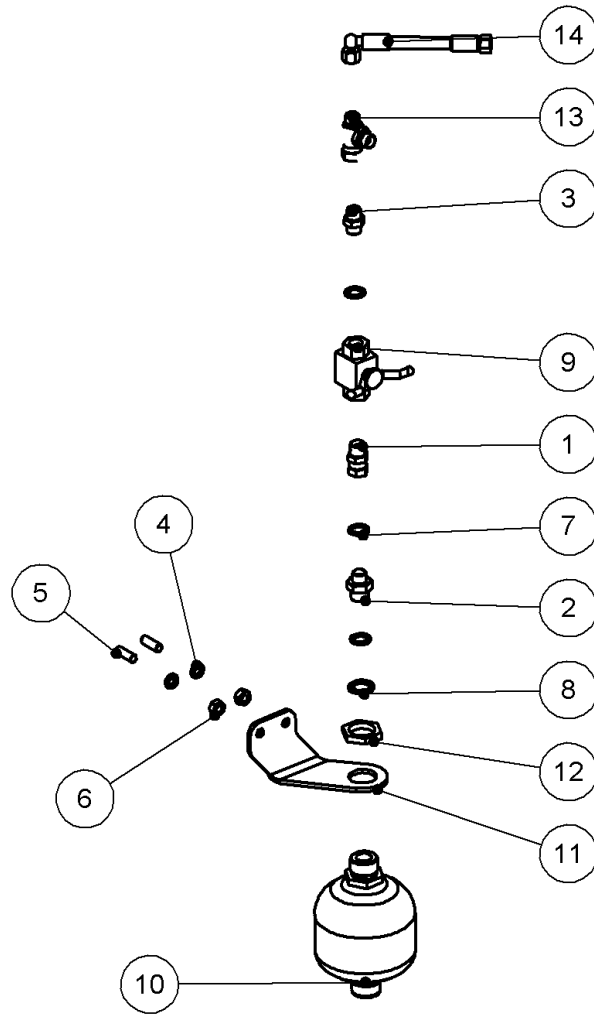
21	45645.01	DECAL - BOMFORD (72MM FONT)	1
22	45645.02	DECAL - BOMFORD (50MM FONT)	1
23	46460.01	DECAL - HAWK 5.4P	2
23	46459.01	DECAL - HAWK 4.8P	2

ARM FLOAT KIT - 77.221.01



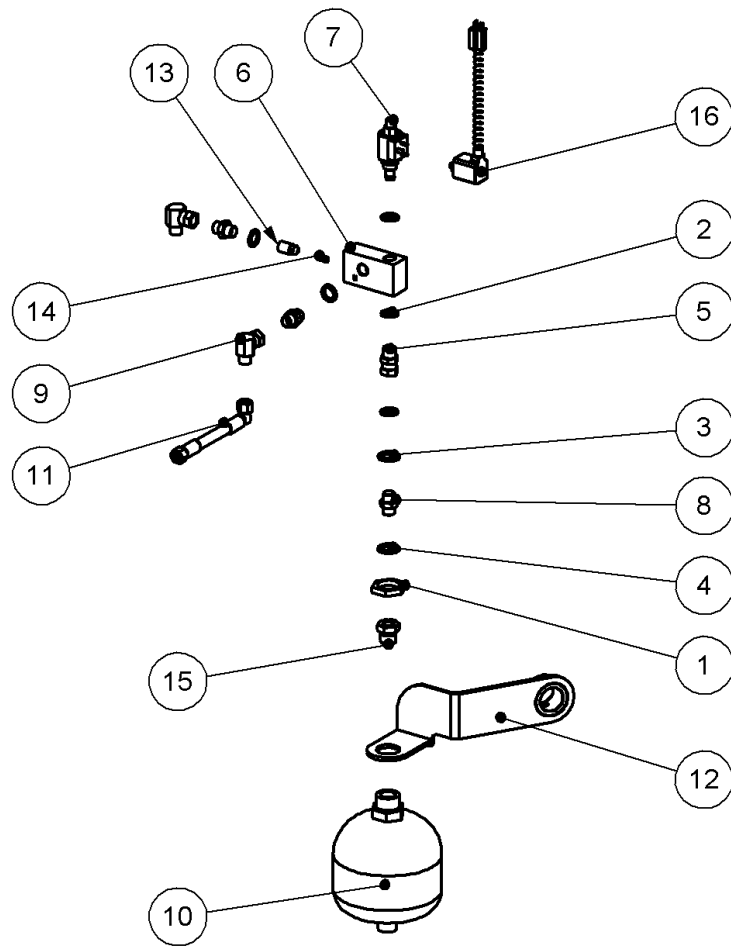
ITEM NO.	PART NUMBER	DESCRIPTION	QTY.
1	05.123.01	ADAPTOR 3/8"BSPx1/2"BSP	1
2	05.124.01	ADAPTOR 3/8"BSPx3/8"BSP	1
3	05.282.02	SPRING WASHER M10	2
4	04.282.24	STUD M10x29	2
5	05.286.02	NUT M10	2
6	05.290.04	BONDED SEAL 3/8" BSP	2
7	05.290.05	BONDED SEAL 1/2" BSP	1
8	08.200.01	VALVE - ISOLATING	1
9	41451.02	ACCUMULATOR - 0.7LT (30 BAR)	1
10	46465.01	BRACKET - PLATE 5	1
11	8126035	NUT	1
12	11.068.69	ADAPTOR TEE 3/8BSP MFM	1
13	10.004.10	1/4"BSP FS/F90 400	1

ARM FLOAT KIT - 77.221.02



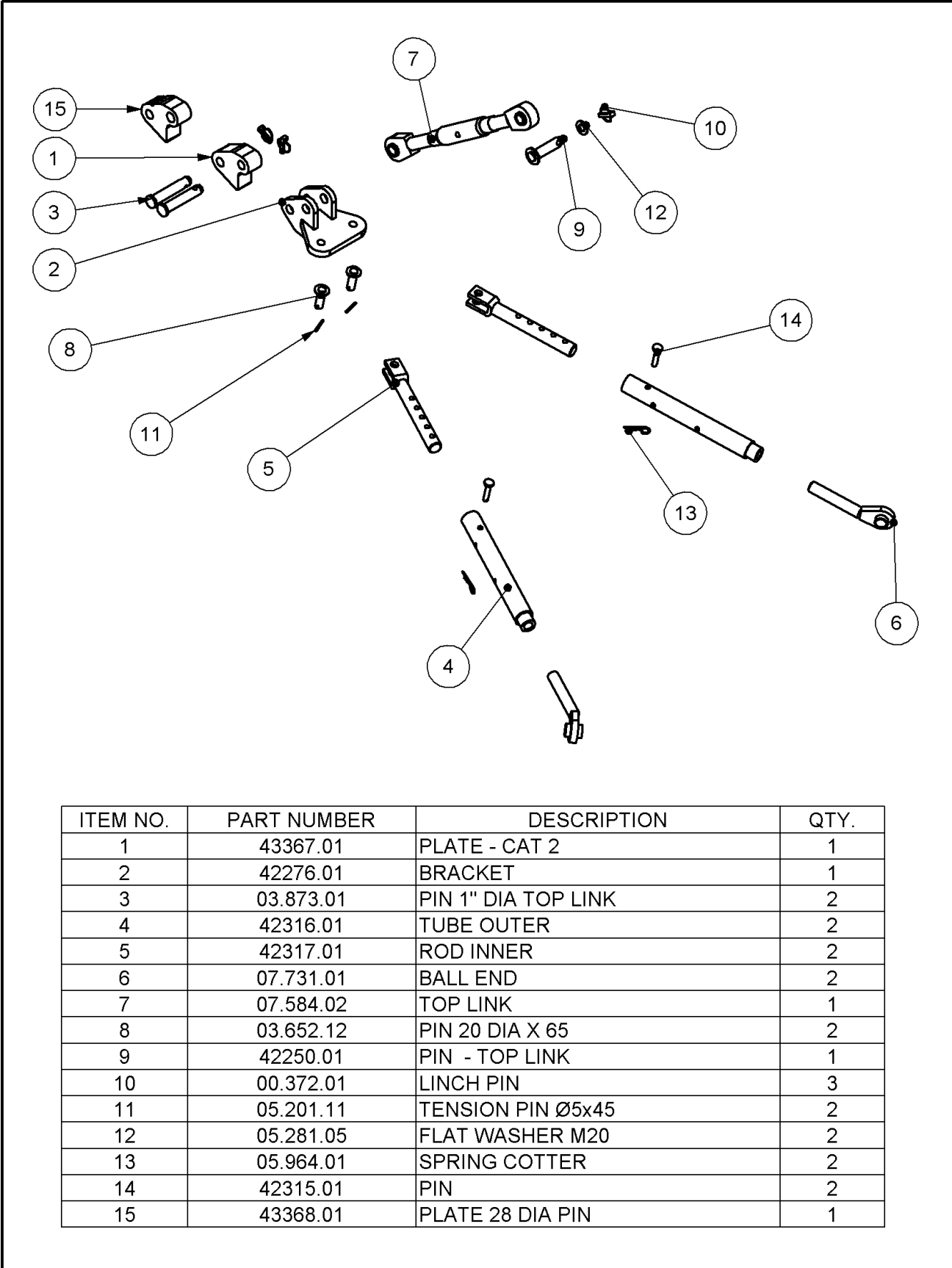
ITEM NO.	PART NUMBER	DESCRIPTION	QTY.
1	02.714.01	ADAPTOR - SWIVEL	1
2	05.123.01	ADAPTOR 3/8"BSPx1/2"BSP	1
3	05.124.01	ADAPTOR 3/8"BSPx3/8"BSP	1
4	05.282.02	SPRING WASHER M10	2
5	04.282.24	STUD M10x29	2
6	05.286.02	NUT M10	2
7	05.290.04	BONDED SEAL 3/8" BSP	3
8	05.290.05	BONDED SEAL 1/2" BSP	1
9	08.200.01	VALVE - ISOLATING	1
10	41451.02	ACCUMULATOR - 0.7LT (30 BAR)	1
11	46465.02	BRACKET - PLATE 5	1
12	8126035	NUT	1
13	11.068.69	ADAPTOR TEE 3/8BSP MFM	1
14	10.004.10	1/4"BSP FS/F90 400	1

ARM FLOAT ELECTRIC 8 - 77.122.01



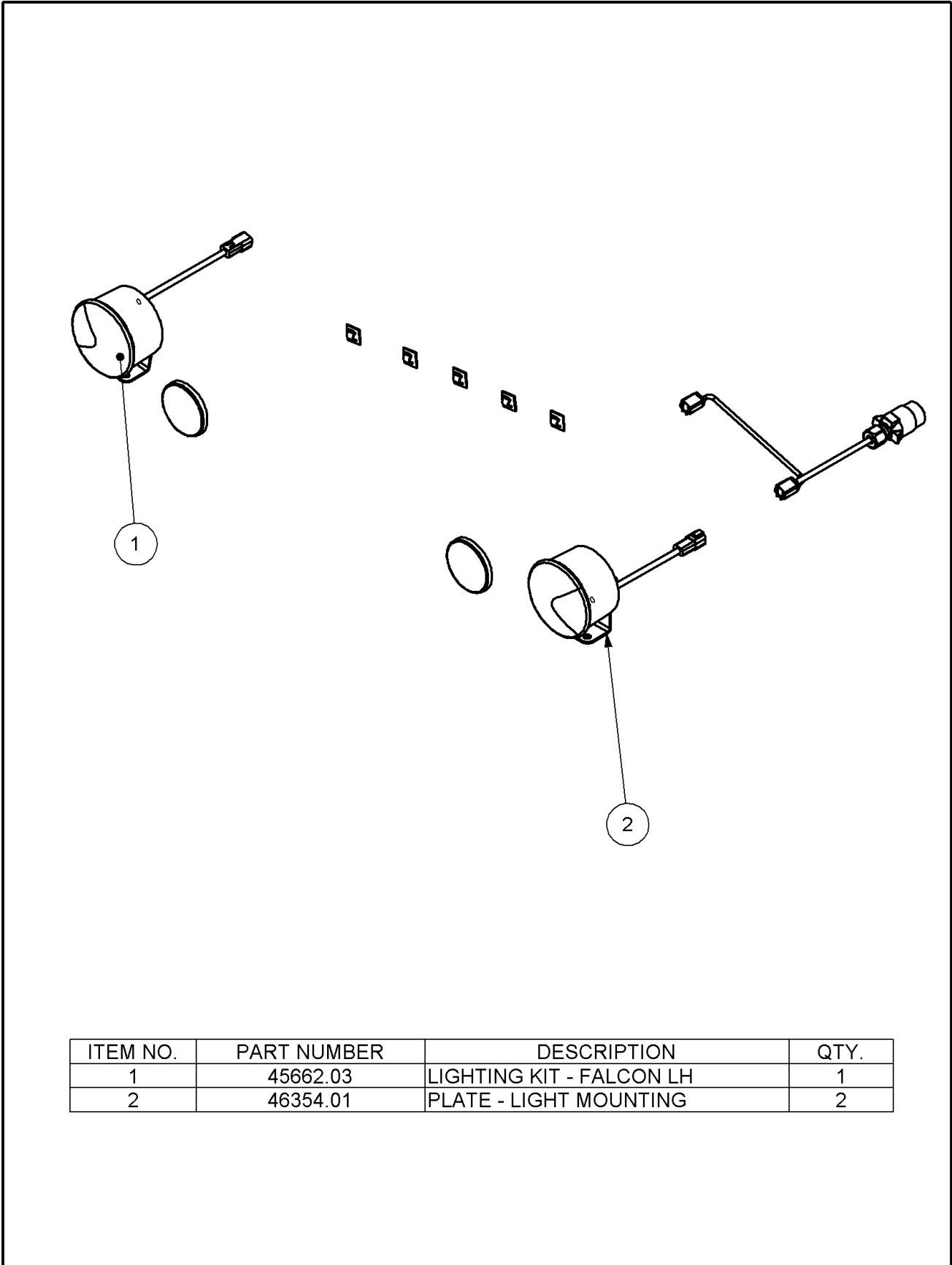
ITEM NO.	PART NUMBER	DESCRIPTION	QTY.
1	8126035	NUT	1
2	05.290.04	BONDED SEAL 3/8" BSP	5
3	05.290.05	BONDED SEAL 1/2" BSP	1
4	05.290.00	BONDED SEAL 1/2" BSP	1
5	02.714.01	ADAPTOR - SWIVEL	1
6	8126287	LIFT FLOAT VALVE BLOCK	1
7	8130183	VALVE POPPET NC SIZE 8	1
8	05.124.01	ADAPTOR 3/8"BSPx3/8"BSP	4
9	05.835.01	90 ADAPTOR M/F SWIVEL	2
10	41715.03	ACCUMULAR 1.4LT 30 BAR	1
11	10.004.21	1/4"BSP FS/F90 400	1
12	48002.01	BRACKET ACCUMULATOR LH	1
13	8126037	RESPONSE PISTON	1
14	8116011	SPRING OD.275x5/8"LG	1
15	8581284	ADAPTOR - M22X3/8BSP MF	1
16	45720.01	LOOM EXTENSION - HEAD FLOAT	1
17	1290061	OPERATION DECAL	1

3PT LINKAGE KIT - 76.458.02



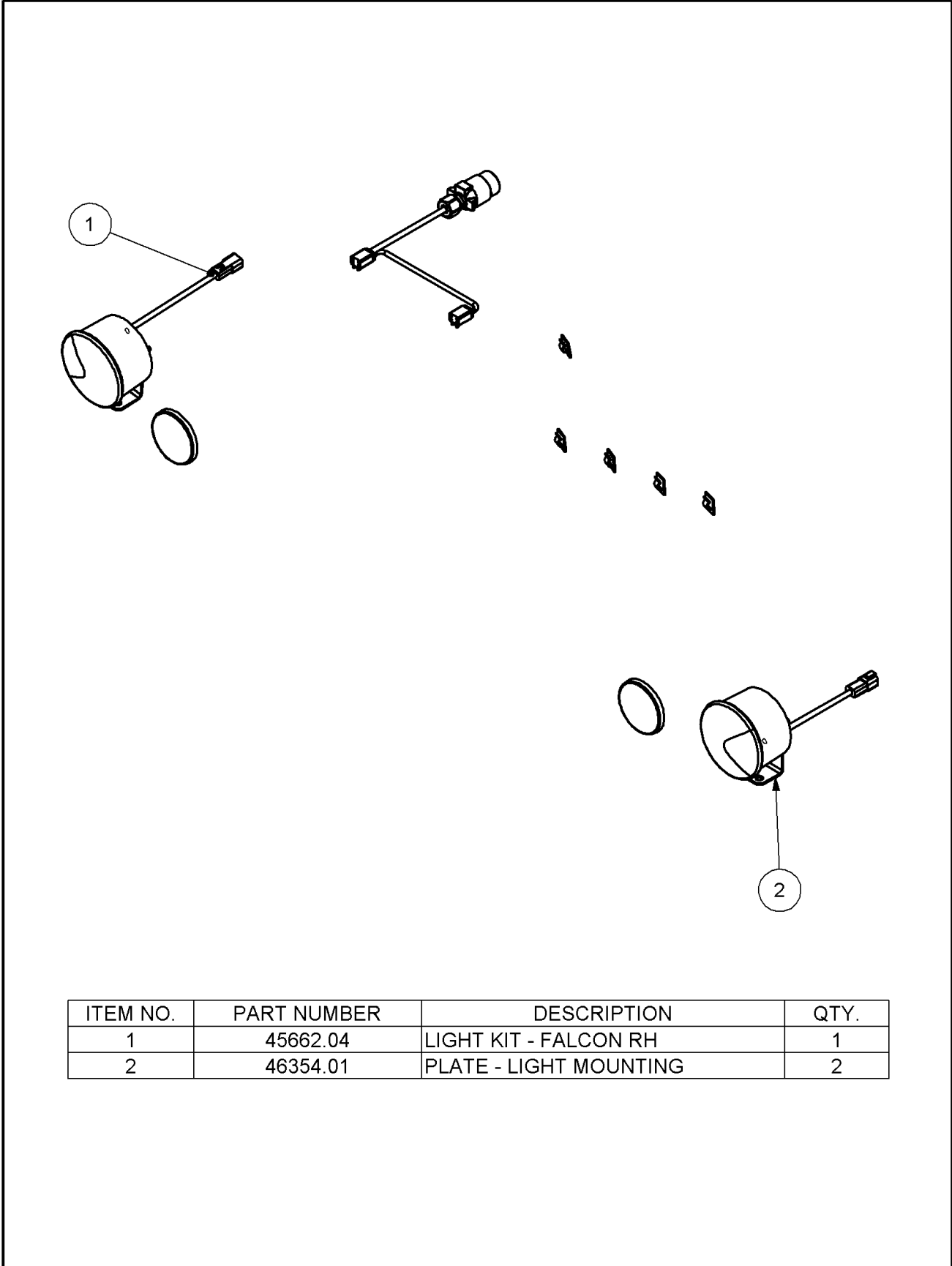
ITEM NO.	PART NUMBER	DESCRIPTION	QTY.
1	43367.01	PLATE - CAT 2	1
2	42276.01	BRACKET	1
3	03.873.01	PIN 1" DIA TOP LINK	2
4	42316.01	TUBE OUTER	2
5	42317.01	ROD INNER	2
6	07.731.01	BALL END	2
7	07.584.02	TOP LINK	1
8	03.652.12	PIN 20 DIA X 65	2
9	42250.01	PIN - TOP LINK	1
10	00.372.01	LINCH PIN	3
11	05.201.11	TENSION PIN Ø5x45	2
12	05.281.05	FLAT WASHER M20	2
13	05.964.01	SPRING COTTER	2
14	42315.01	PIN	2
15	43368.01	PLATE 28 DIA PIN	1

LIGHTING KIT LH HAWK - 77.212.01



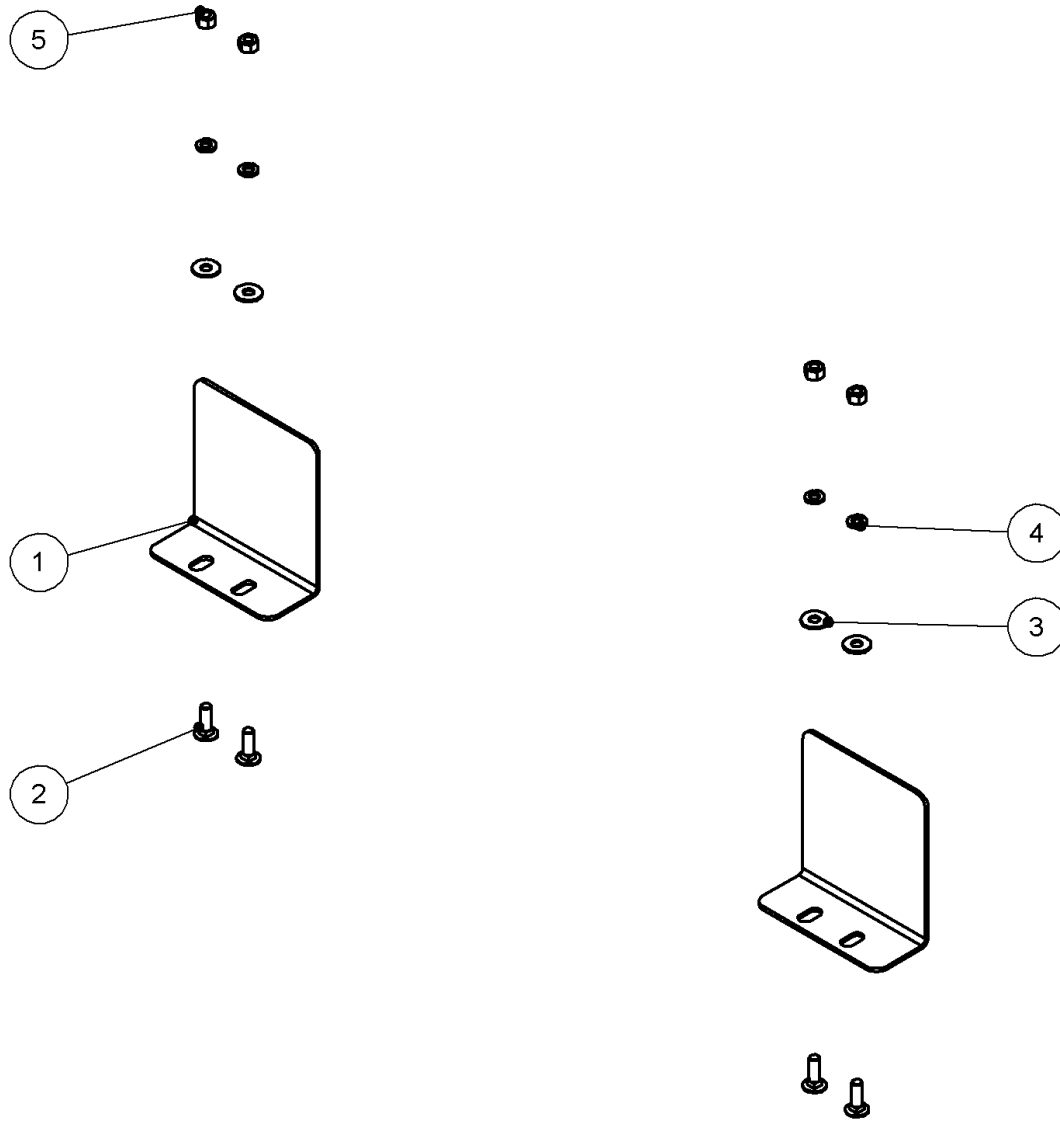
ITEM NO.	PART NUMBER	DESCRIPTION	QTY.
1	45662.03	LIGHTING KIT - FALCON LH	1
2	46354.01	PLATE - LIGHT MOUNTING	2

LIGHT KIT - 77.212.02



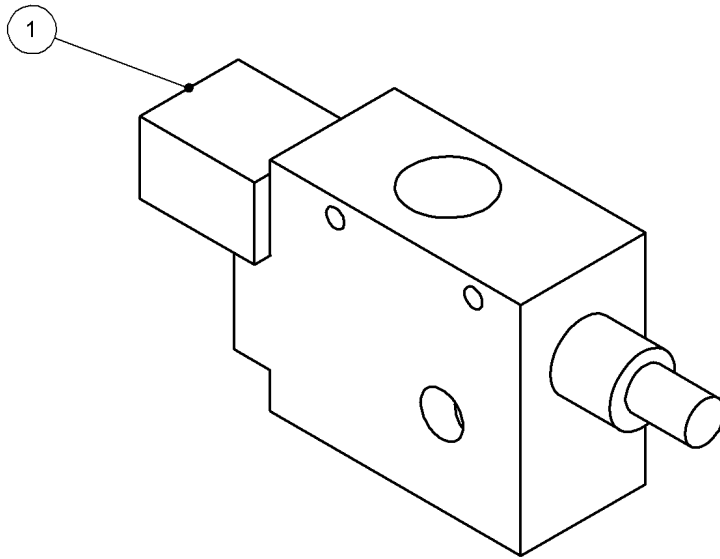
ITEM NO.	PART NUMBER	DESCRIPTION	QTY.
1	45662.04	LIGHT KIT - FALCON RH	1
2	46354.01	PLATE - LIGHT MOUNTING	2

HAWK LIGHT BLANKING - 77.212.05



ITEM NO.	PART NUMBER	DESCRIPTION	QTY.
1	46373.01	BLANKING PLATE - 3mm	2
2	9293054	BOLT CUP SQR M8x25	4
3	05.281.01	FLAT WASHER M8	4
4	05.282.01	SPRING WASHER M8	4
5	05.286.01	NUT M8	4

EPPII VLVE MOTOR KIT ASSY 5893 - 76.427.09



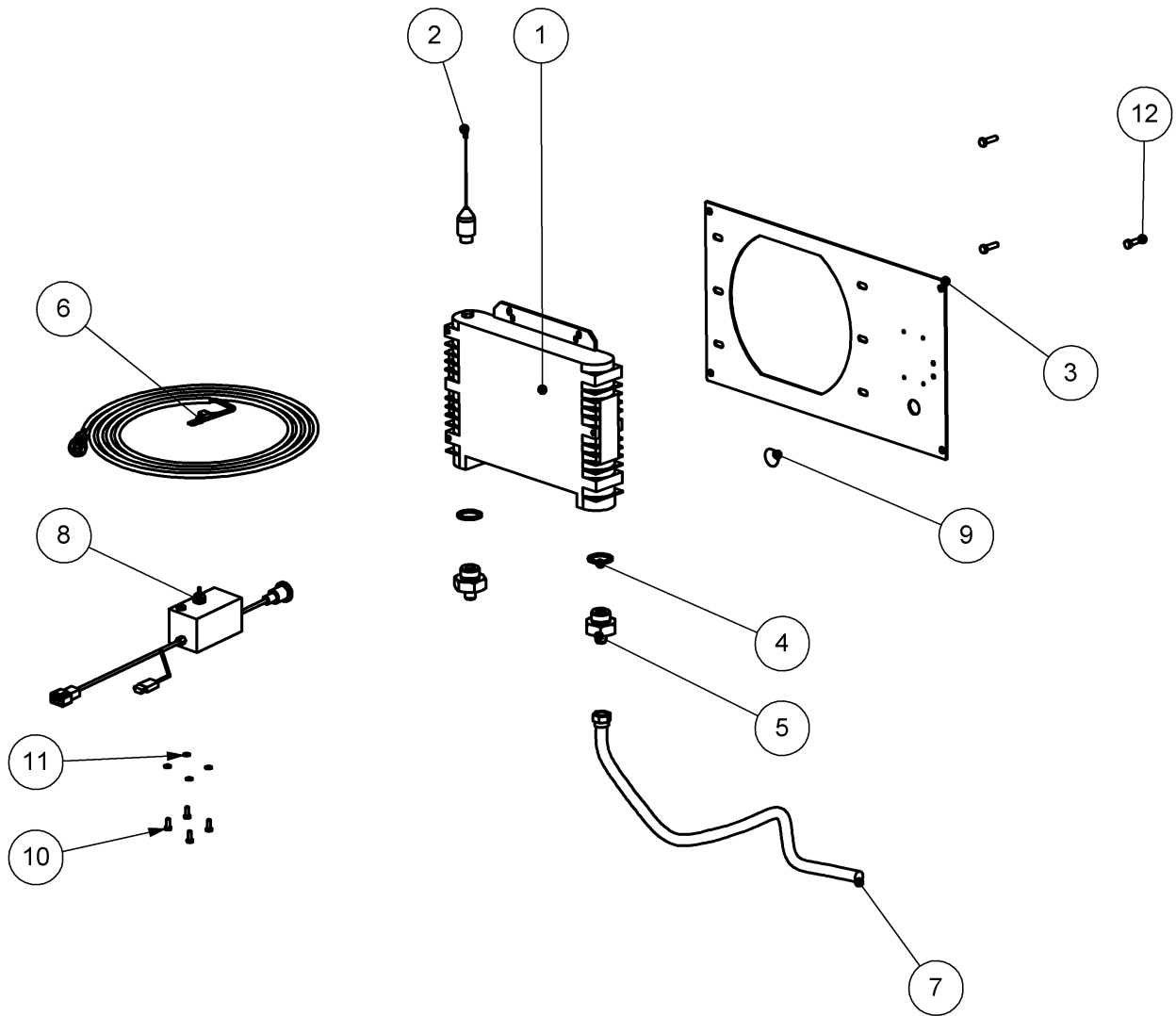
* SEAL KIT - 08.943.02

ITEM NO.	PART NUMBER	DESCRIPTION	QTY.
1	08.943.01	RELIEF VALVE/DIVERTER - ELECT	1

76.426.19 EPPII RCA MOTOR ADD'N KIT 5893

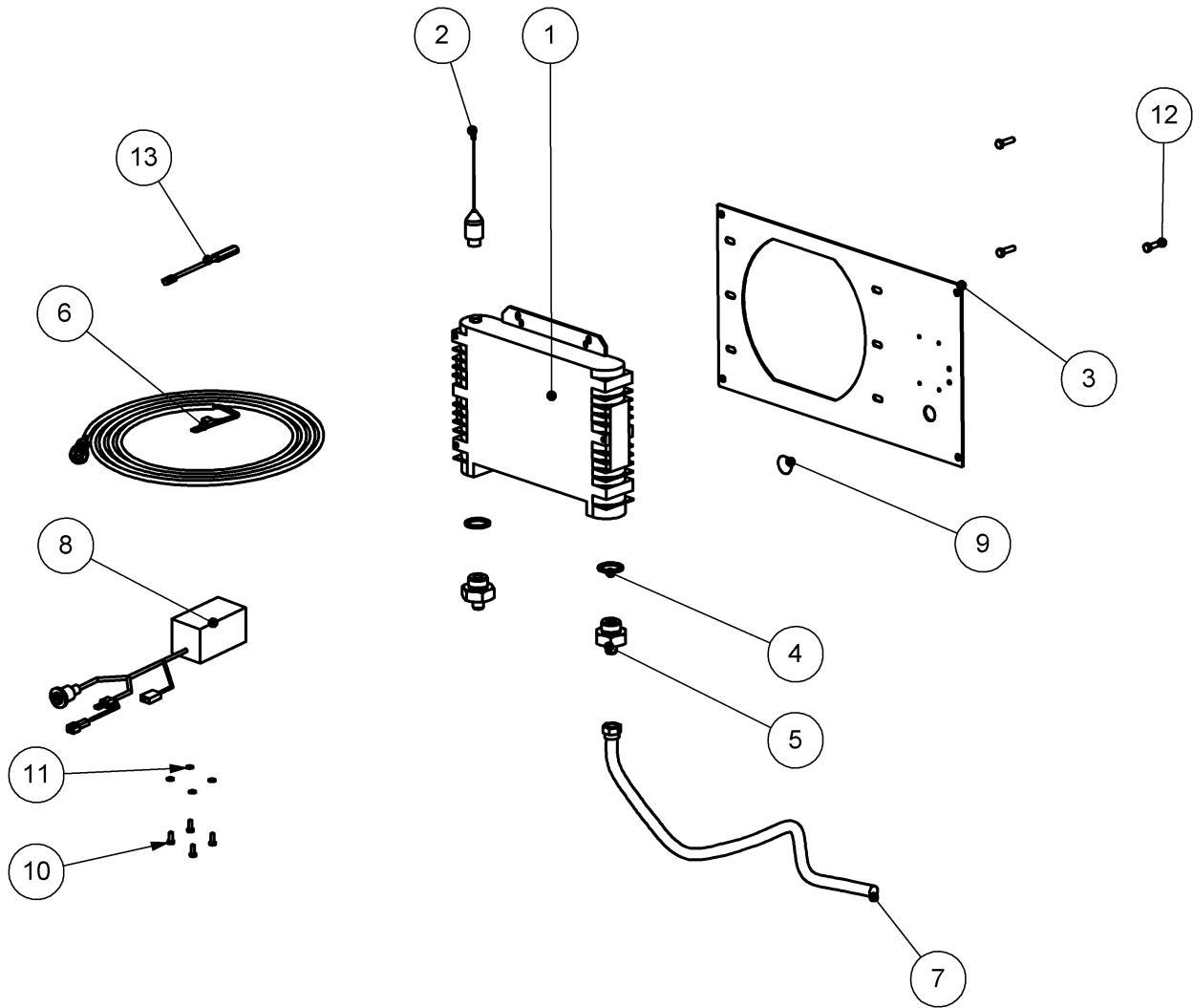
11	41786.39	SWITCH - MOTOR START	1
12	41786.40	SWITCH - MOTOR STOP	1
13	42226.93	MOTOR CONTROL PCB ASSY EPPII	1
14	42226.89	TEMPLATE EPPII ADDITIONS	1
16	42197.33	WIRE LOOM 3M 5SER+ARMF/HDF/MOT	1
16	42392.01	WIRE LOOM AUXILIARY MOTOR CTRL	1

OIL COOLER ASSY EPP2 ONLY - 77.146.12



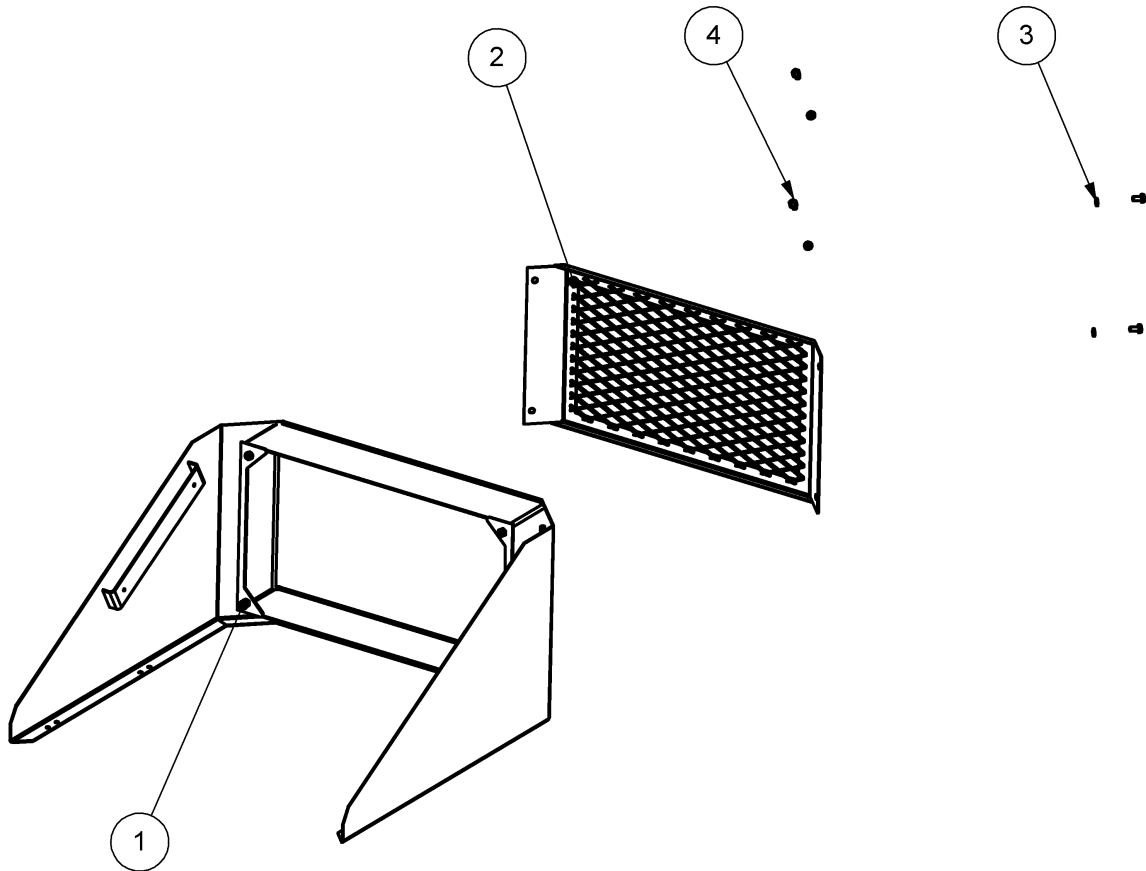
ITEM NO.	PART NUMBER	DESCRIPTION	QTY.
1	47313.02	ASAHYDRAULIC ECO7	1
2	47313.03	THERMOSTAT	1
3	47379.01	MTG PLATE 3MM	1
4	05.290.07	BONDED SEAL 1" BSP	2
5	30.059.84	ADAPTOR	2
6	08.987.02	CABLE ASSY - 6.10M	1
7	10.006.20	HOSE 1/2" BSP STX90 S.SEAL 1000	1
8	42162.07	OIL COOLER - CABLE SWITCH EPP2	1
9	03.816.01	PLUG RUBBER 25mm DIA.	1
10	05.839.05	SETSCREW M6 X 16	4
11	05.282.07	SPRING WASHER M6	4
12	05.291.01	BOLT M8x30	3

OIL COOLER ASSY DCU ICS ONLY - 77.146.13



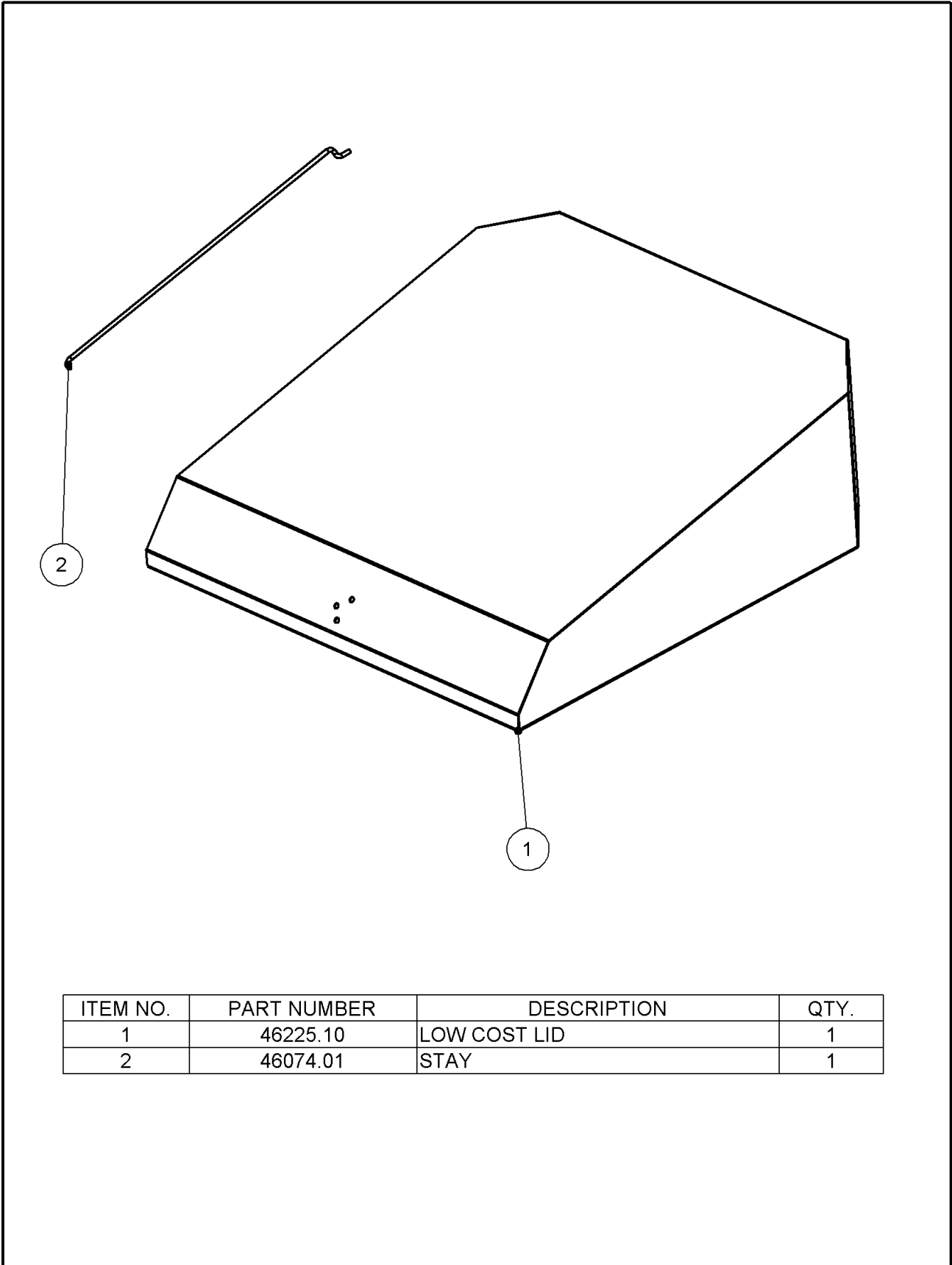
ITEM NO.	PART NUMBER	DESCRIPTION	QTY.
1	47313.02	ASAHYDRAULIC ECO7	1
2	47313.03	THERMOSTAT	1
3	47379.01	MTG PLATE 3MM	1
4	05.290.07	BONDED SEAL 1" BSP	2
5	30.059.84	ADAPTOR	2
6	08.987.02	CABLE ASSY - 6.10M	1
7	10.006.20	HOSE 1/2" BSP STX90 S. SEAL 1000	1
8	46138.02	OIL COOLER - CABLE LOOM ASSY ICS	1
9	03.816.01	PLUG RUBBER 25mm DIA.	1
10	05.839.05	SETSCREW M6 X 16	4
11	05.282.07	SPRING WASHER M6	4
12	05.291.01	BOLT M8x30	3
13	46650.01	CABLE	1

VENTED TANK LID-COOLER ASSY - 77.410.02



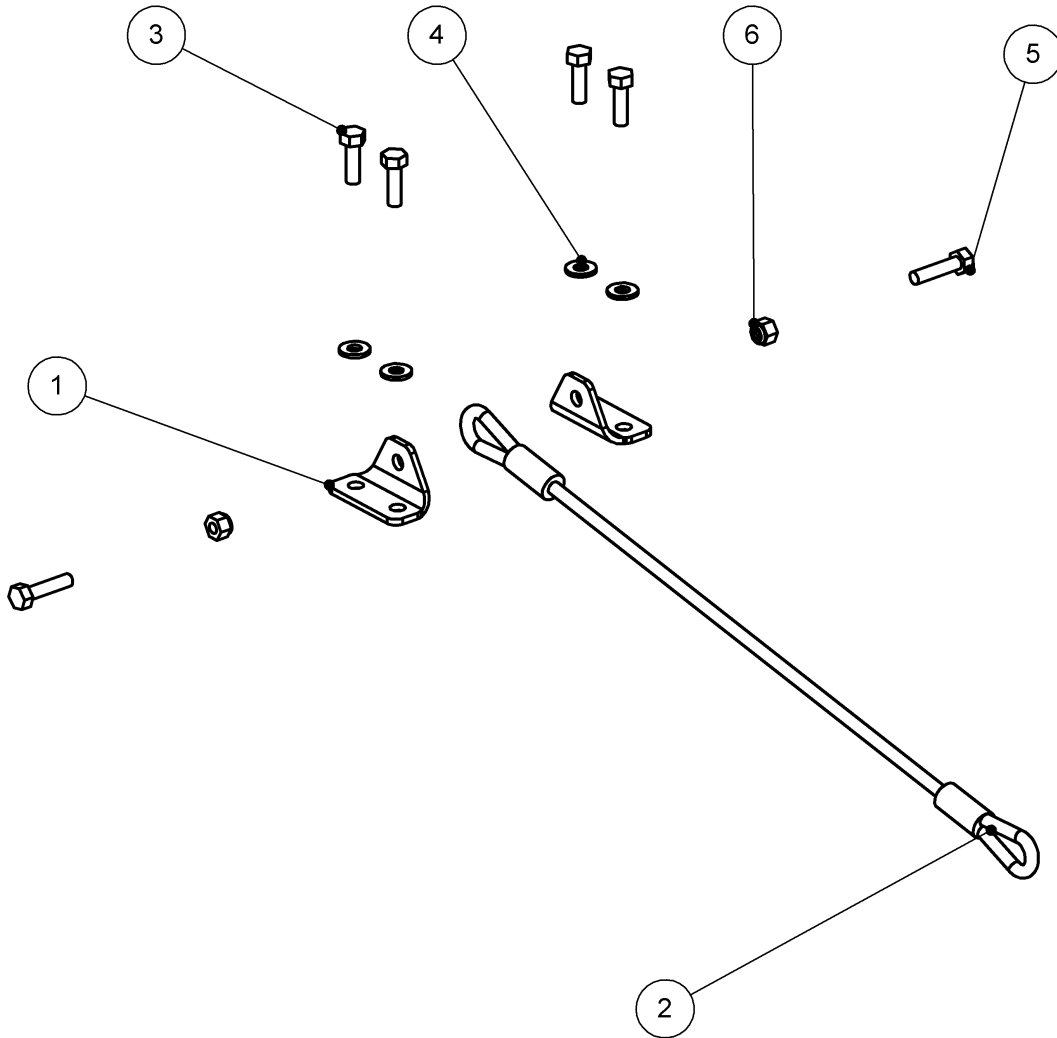
ITEM NO.	PART NUMBER	DESCRIPTION	QTY.
1	47320.04	VENTED TANK LID	1
2	48040.01	COVER - OIL COOLER	1
3	05.282.01	SPRING WASHER M8	4
4	05.839.03	SETSCREW M8X16	4

ECONOMY TANK LID HAWK - 77.410.01



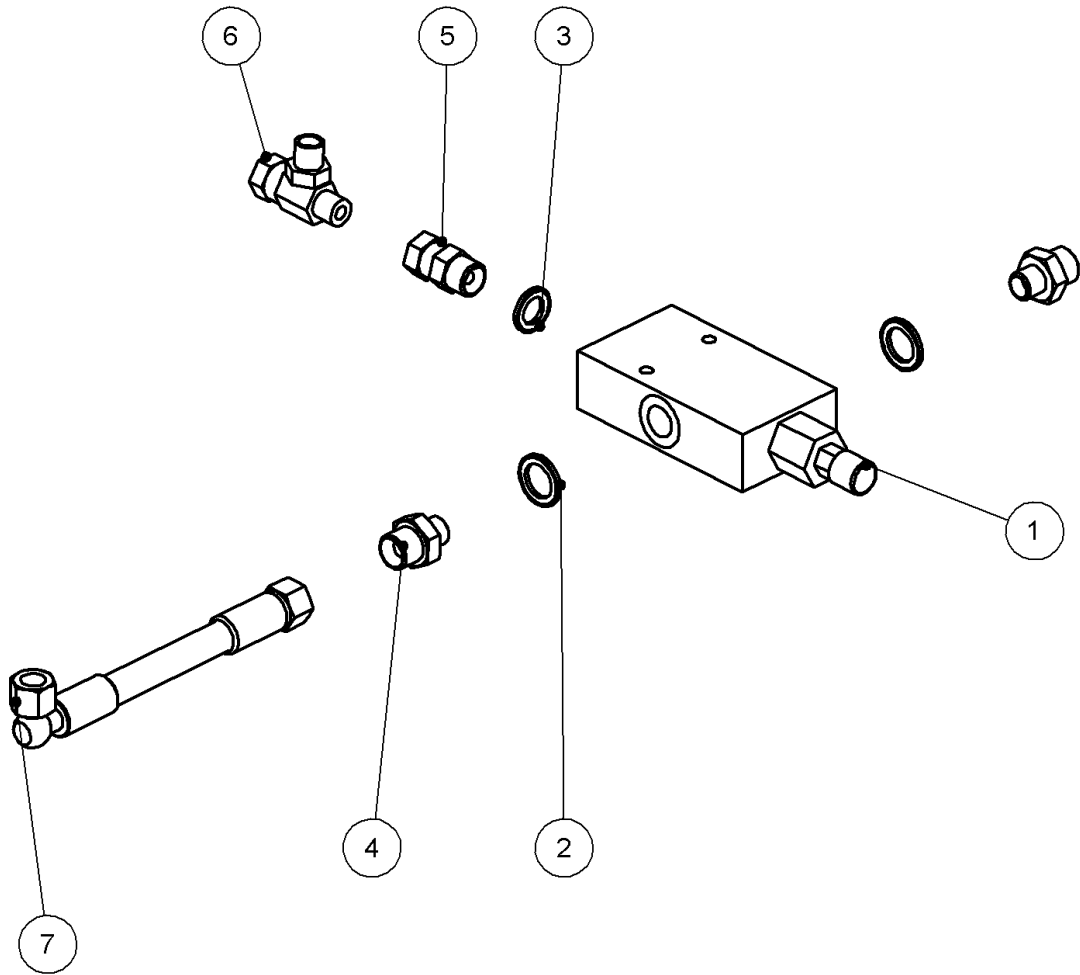
ITEM NO.	PART NUMBER	DESCRIPTION	QTY.
1	46225.10	LOW COST LID	1
2	46074.01	STAY	1

CABLE BRACKETS & STAY - 77.305.20



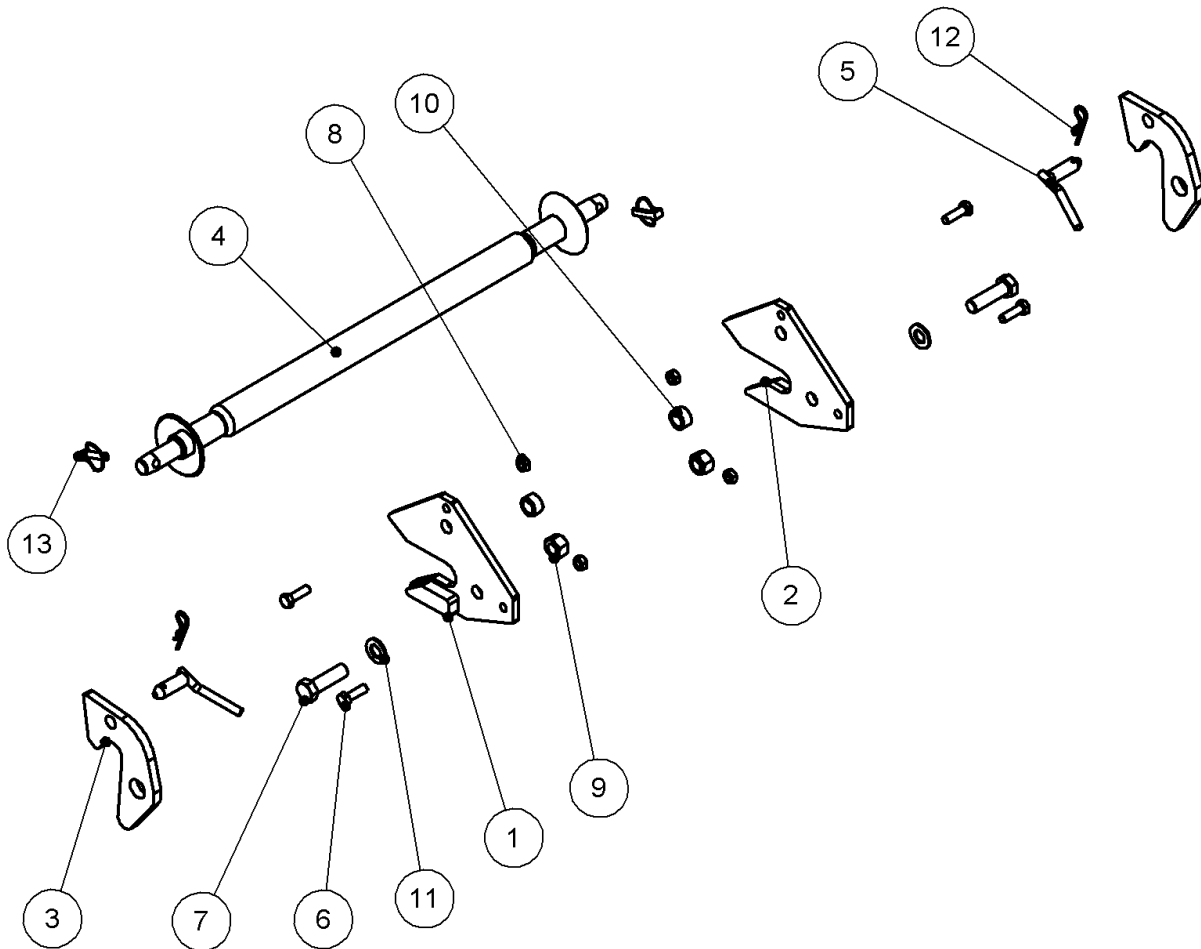
ITEM NO.	PART NUMBER	DESCRIPTION	QTY.
1	46187.01	BRACKET	2
2	6770939	CABLE 380	1
3	30.068.83	SETSCREW M6 X 20MM	4
4	05.281.10	FLAT WASHER M6	10
5	30.068.84	M6 BOLTS	2
6	30.070.64	NUT NYLOC M6 Z/P	6

OVERCENTRE VALVE SCHEDULE - 77.480.01



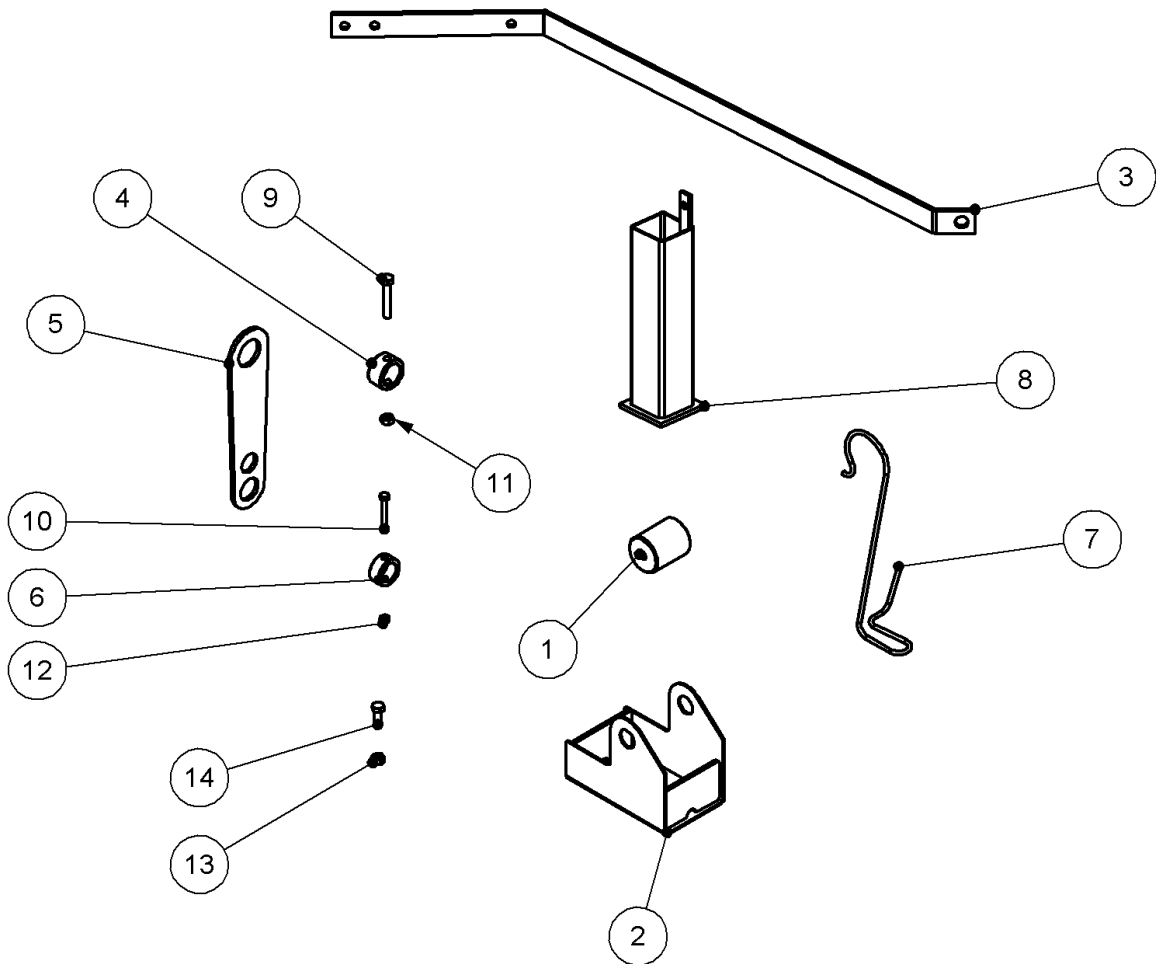
ITEM NO.	PART NUMBER	DESCRIPTION	QTY.
1	48300.01	OVERCENTRE VALVE	1
2	05.290.04	BONDED SEAL 3/8" BSP	2
3	05.290.02	BONDED SEAL 1/4" BSP	1
4	01.099.01	ADAPTOR 1/4"BSPx3/8"BSP	2
5	02.714.11	ADAPTOR - SWIVEL	1
6	04.056.10	TEE ADAPTOR FMM	1
7	10.002.12	1/4"BSP FS/F90 600	1

BAR COUPLER - 77.076.01



ITEM NO.	PART NUMBER	DESCRIPTION	QTY.
1	45566.02	BRACKET - BAR COUPLER	1
2	45566.01	BRACKET - BAR COUPLER	1
3	42591.02	CATCH HOOK	2
4	42333.02	WASSY-HITCH BAR	1
5	43011.01	ASSY - PIN	2
6	05.291.23	BOLT M12x40	4
7	05.291.49	BOLT M20x70	2
8	05.287.03	SELF-LOCKING NUT M12	4
9	05.287.05	SELF-LOCKING NUT M20	2
10	42801.01	SPACER SLEEVE	3
11	05.281.05	FLAT WASHER M20	2
12	05.964.01	SPRING COTTER	2
13	00.372.01	LINCH PIN	2

TRANSPORT PACK BASE - 77.143.13



ITEM NO.	PART NUMBER	DESCRIPTION	QTY.
1	47565.01	TRANSPORT FOOT	1
2	47997.01	STAND	1
3	47564.01	TRANSPORT STRAP HAWK FWD	1
4	46508.01	CDS 45x30.5 -26	1
5	46507.01	TRANSPORT PLATE	1
6	46194.01	CDS 45x30.5 -20	1
7	21160.03	PTO HOOK	1
8	08.694.01	STAY - TRANSPORT	1
9	05.291.18	BOLT M10x65	1
10	05.291.06	BOLT M8x55	1
11	05.286.02	NUT M10	1
12	05.287.01	SELF-LOCKING NUT M8	1
13	05.287.02	SELF-LOCKING NUT M10	1
14	05.264.12	SETSCREW M10x25	1