

PM1921  
(77.315.24)

# ***HARRIER***

***4.7P & 5.0P***

**ARM MOWERS**  
PARTS MANUAL  
ISSUE 6

## **IMPORTANT**

NOTE HERE THE SERIAL NUMBER OF YOUR MACHINE AND ALWAYS QUOTE IT IN ANY COMMUNICATION WITH US OR YOUR DEALER. THIS IS PARTICULARLY IMPORTANT WHEN ORDERING SPARES. REMEMBER TO INCLUDE ALL NUMBERS AND LETTERS.

MACHINE SERIAL NUMBERS \_\_\_\_\_

THE INFORMATION GIVEN THROUGHOUT THIS MANUAL IS CORRECT AT THE TIME OF PUBLICATION. HOWEVER, IN THE COURSE OF CONSTANT DEVELOPMENT OF BOMFORD TURNER MACHINES, CHANGES IN SPECIFICATION ARE INEVITABLE. SHOULD YOU FIND THE INFORMATION GIVEN IN THIS BOOK TO BE AT VARIANCE WITH THE MACHINE IN YOUR POSSESSION, YOU ARE ADVISED TO CONTACT THE BOMFORD TURNER SERVICE DEPARTMENT WHERE UP-TO-DATE INFORMATION WILL BE PROVIDED.

THE MANUAL CAN CONTAIN STANDARD AND OPTIONAL FEATURES AND IS NOT TO BE USED AS A MACHINE SPECIFICATION.

THE MACHINE HAS BEEN TESTED AND IS CONSIDERED SAFE IF CAREFULLY USED. ENSURE YOUR OPERATOR IS PROPERLY TRAINED IN ITS USE AND MAINTENANCE.

---

## **IMPORTANT**

NOTEZ ICI LES NUMEROS DE SERIE DE VOTRE MACHINE ET MENTIONNEZ LES DANS TOUTE COMMUNICATION AVEC NOS SERVICES OU VOTRE REVENDEUR. CECI EST IMPORTANT POUR LA COMMANDE DE PIECES DETACHEES. PENSEZ A NOTER TOUS LES NUMEROS ET TOUTES LES LETTERS.

NUMEROS DE SERIE DE LA MACHINE \_\_\_\_\_

LES INFORMATIONS DONNEES DANS CE MANUEL SONT CORRECTES CEPENDANT, DU FAIT DE DEVELOPPEMENT CONSTANT DES MACHINES BOMFORD TURNER.

CHANGEMENTS DANS LES CARACTERISTIQUES SONT INEVITABLES.

SI VOUS TROUVEZ QUE LES INFORMATIONS DONNEES NE CORRESPONDENT PAS A VOTRE MACHINE VEUILLEZ CONTACTER LE SERVICE DES REPARATIONS OU DES INFORMATIONS PLUS RECENTES VOUS SERONT DONNEES.

CE MANUEL PEUT MONTRER DES CARACTERISTIQUES OPTIONNELLES ET NE PEUT PAS ETRE CONSIDERE COMME SPECIFICATION DE LA MACHINE.

CETTE MACHINE A ETE TESTEE, ET ELLE EST CONSIDEREE COMME FIABLE A CONDITION D'UNE BONNE UTILISATION. ASSUREZ-VOUS QUE VOTRE OPERATEUR EST QUALIFIE EN CE QUI CONCERNE L'UTILISATION DE LA MACHINE AINSI QUE SON ENTRETIEN.

---

## **WICHTIG**

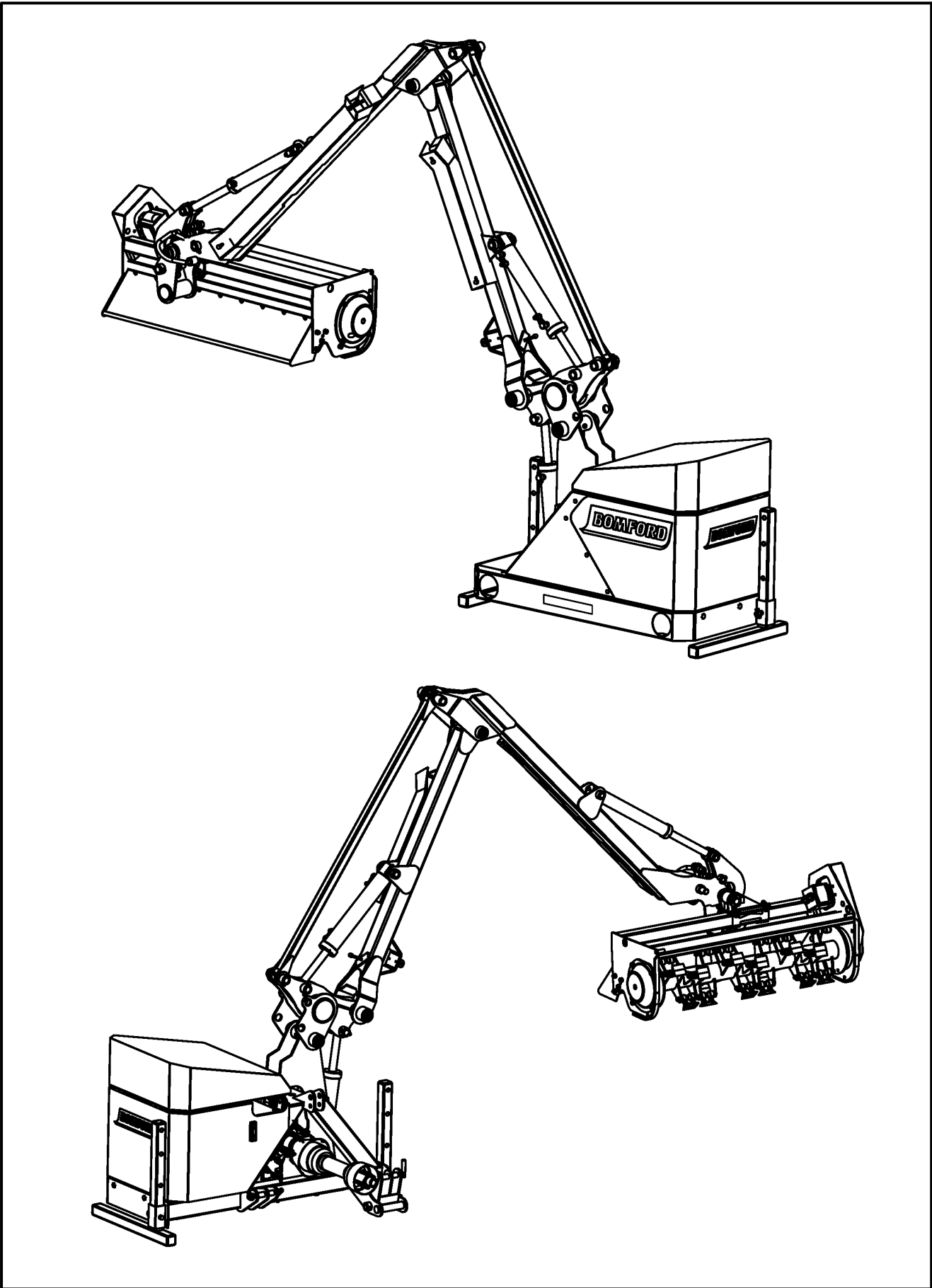
TRAGEN SIE HIER DIE SERIENNUMMERN IHRER MASCHINE EIN UND GEBEN SIE DIESE IMMER AN, WENN SIE SICH AN UNS ODER IHREN HÄNDLER WENDEN. DAS IST BESONDERS BEI ERSATZTEILBESTELLUNGEN WICHTIG. VERGESSEN SIE NICHT, ALLE ZAHLEN UND BUCHSTABEN ZU NOTIEREN.

SERIENNUMMERN DER MASCHINE \_\_\_\_\_

DIE ANGABEN INDIESEM HANDBUCH SIND BEI VERÖFFENTLICHUNG KORREKT. AUFGRUND DER KONSTANTEN WEITERENTWICKLUNG VON BOMFORD TURNER MASCHINEN SIND JEDOCHÄNDERUGDEN IN DER SPEZIFIKATION UNVERMEIDLICH. WENN DIE INFORMATION IN DIESEM HANDBUCH NICHT MIT IHRER MASCHINE ÜBEREINSTIMMEN, NEHMEN SIE BITTE KONTAKT MIT DER BOMFORD TURNER KUNDENDIENSTABTEILUNG AUF, DIE IHNEN GERNE DIE AKTUELLEN INFORMATION ZUKOMMEN LÄSST.

DAS HANDBUCH KANN SOWOHL BESCHREIBUNGEN FÜR DIE STANDARD AUSFÜHRUNG ALS AUCH FÜR ZUBEHÖR ENTHALTEN UND IST NICHT ALS MASCHINENSPEZIFIKATION ZU VERWENDET.

DIE MASCHINE IST GETESTET UND BEI SACHGEMÄSSEM BETRIEB ALS SICHER BEFUNDEN WORDEN. SORGEN SIE DAFÜR, DASS IHR BEDIENPERSONAL IN ANWENDUNG UND WARTUNG RICHTIG GESCHULT WIRD.



**This page is intentionally left blank.**

## HARRIER RANGE OF ARM MOWERS

PAGE ILLUSTRATION NUMBERS SHOWN ARE USED ONLY FOR REFERENCE PURPOSES  
AND SHOULD NOT BE USED FOR ORDERING SPARE PARTS.  
PLEASE ENSURE THE CORRECT PART NUMBER AND DESCRIPTION IS GIVEN WHEN  
ORDERING SPARE PARTS.

*For Machines with Serial Numbers commencing from 1179S/05..*

SECTION NO	DESCRIPTION
2	MAINFRAME ASSEMBLIES
3	3 POINT LINKAGE KITS
4	TANK ASSEMBLY
5	KING POST & ROCKER
6	ARM ASSEMBLIES
7	COWL BRACKET AND LINKAGE
8	TWIN PUMPS & GEARBOX ASSEMBLIES
9	CONTROL VALVE ASSEMBLIES
10	CABLE CONTROL ASSEMBLIES
11	EPPII CONTROL ASSEMBLIES
12	RAM CIRCUITS
13	HOSE CIRCUITS
14	OIL COOLERS
15	ARM FLOAT KIT
16	LIGHTING KIT
17	DECALS
18	JOYSTICK ASSY
19	TRANSPORT BASE

### IMPORTANT

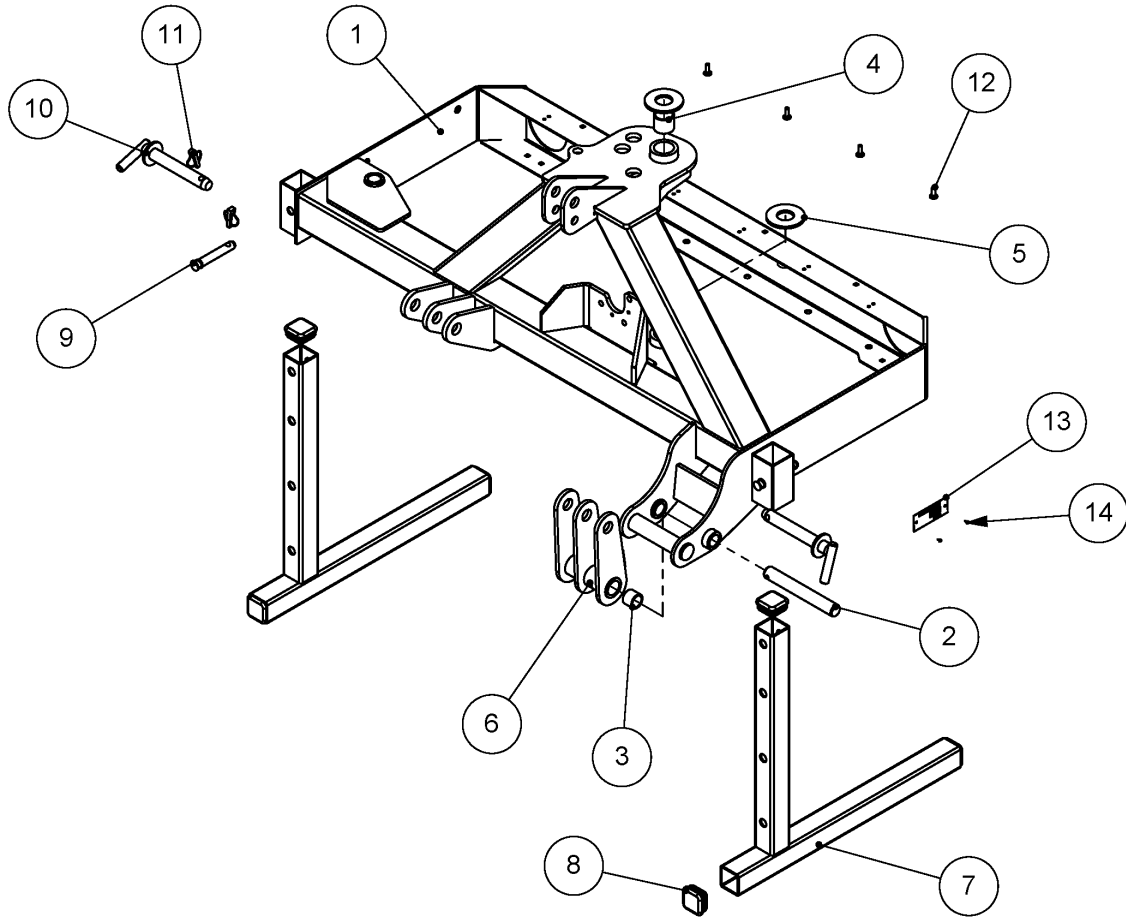
THIS MACHINE IS FOR VEGETATION CONTROL AND MUST NOT BE USED FOR ANY OTHER  
PURPOSE.

IT IS POTENTIALLY HAZARDOUS TO FIT OR USE ANY PARTS OTHER THAN GENUINE  
BOMFORD TURNER PARTS.

THE COMPANY DISCLAIMS ALL LIABILITY FOR THE CONSEQUENCES OF SUCH USE  
WHICH, IN ADDITION, VOIDS THE MACHINE WARRANTY.

MAINFRAME ASSY 70L HARRIER PAR

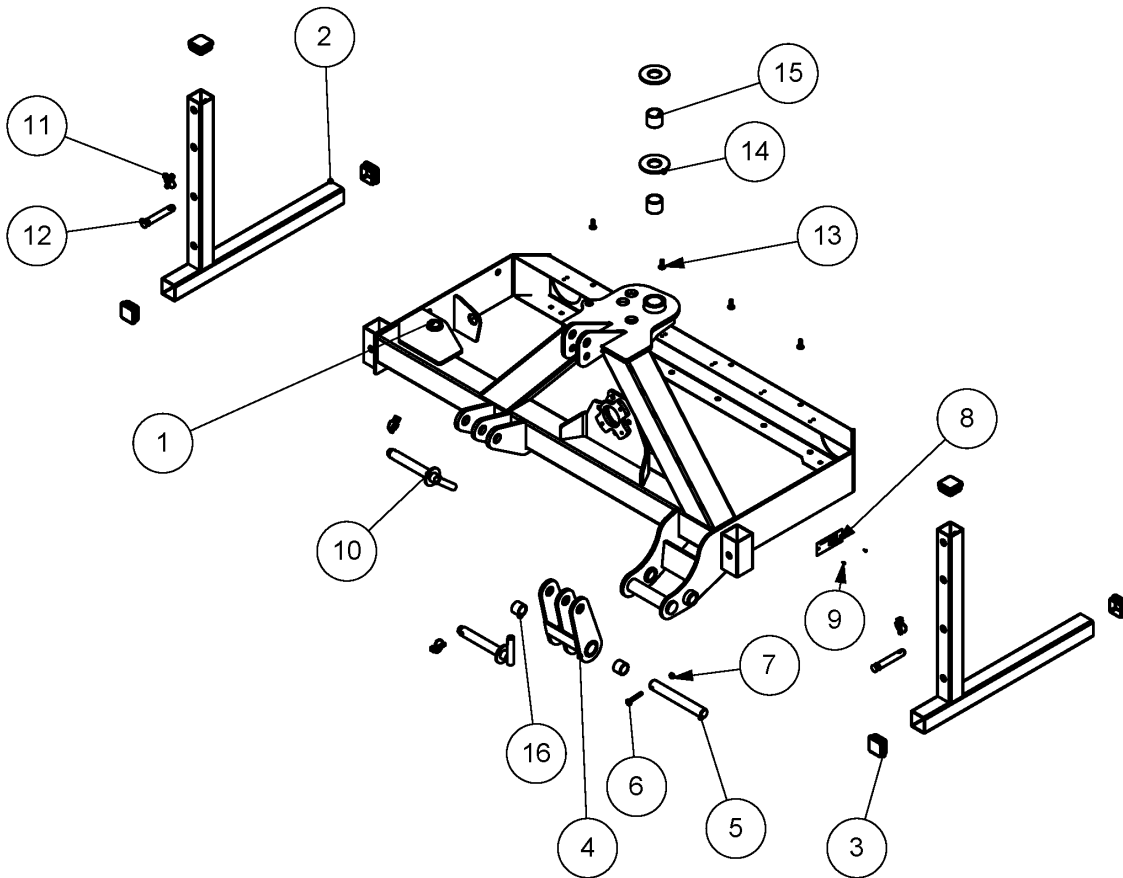
77.314.01 REV : A



ITEM NO.	PART NUMBER	DESCRIPTION	QTY.
1	46875.03	HARRIER MAINFRAME 70L MAN SLEW	1
2	03.654.75	PIN 30 DIA. x 224	1
3	08.297.04	BUSH 37x30x30	2
4	08.297.02	BUSH 47x40x40	2
5	09.232.01	THRUST WASHER	2
6	42118.01	LINK - BREAKOUT LH	1
7	46463.01	STAND ASSEMBLY	2
8	7191108	PLASTIC PLUG	6
9	T1657	T1657	2
10	07.574.01	PIN	2
11	00.372.01	LINCH PIN	4
12	9293054	BOLT CUP SQR M8x25	4
13	05.774.07	SERIAL PLATE	1
14	05.227.01	HAMMER DRIVE SCREW	2
15	05.291.06	BOLT M8x55	1
16	05.287.01	SELF-LOCKING NUT M8	1

MAINFRAME ASSY LH HARRIER

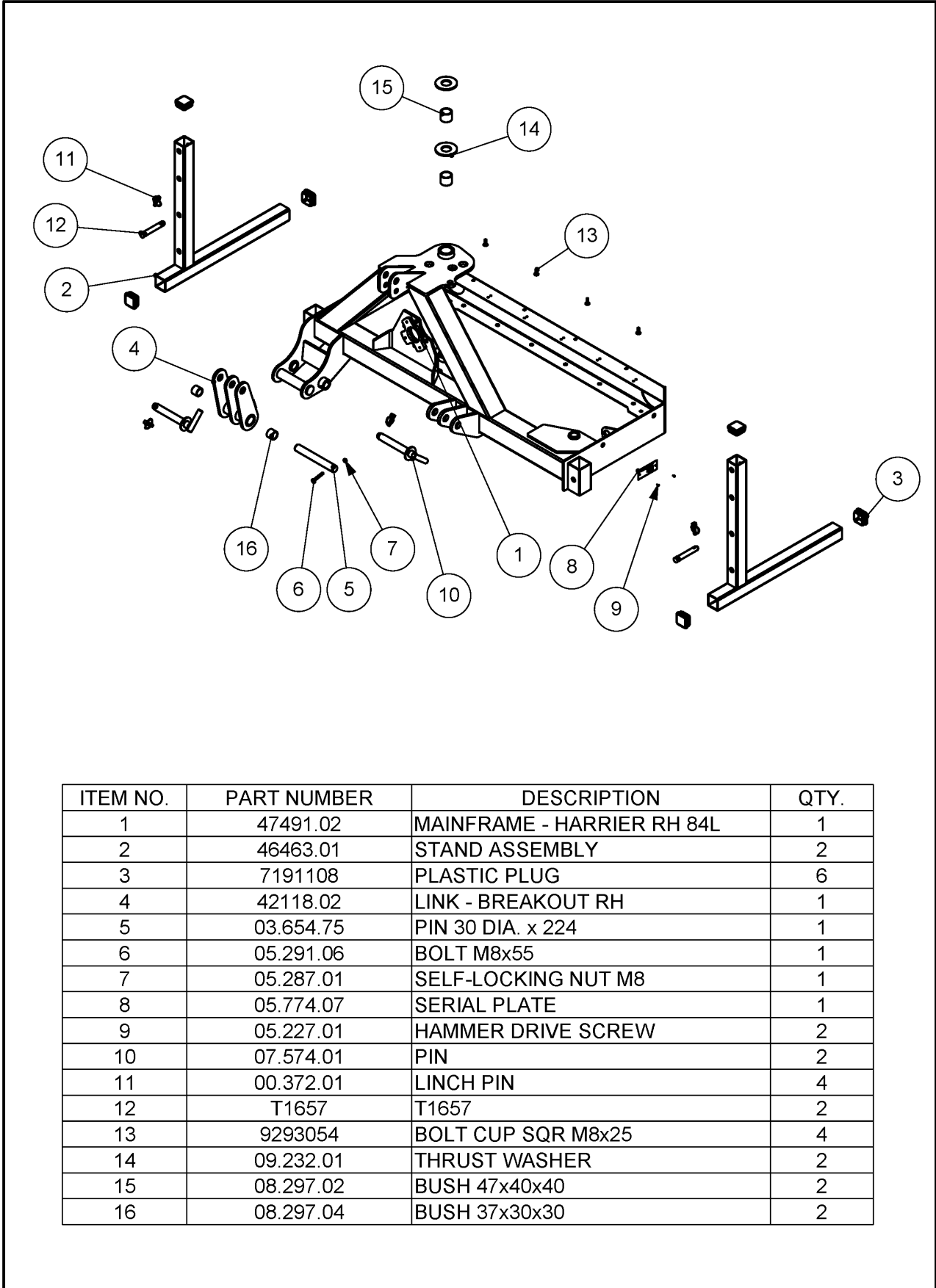
77.442.01 REV : A



ITEM NO.	PART NUMBER	DESCRIPTION	QTY.
1	47491.01	MAINFRAME - HARRIER LH 84L	1
2	46463.01	STAND ASSEMBLY	2
3	7191108	PLASTIC PLUG	6
4	42118.01	LINK - BREAKOUT LH	1
5	03.654.75	PIN 30 DIA. x 224	1
6	05.291.06	BOLT M8x55	1
7	05.287.01	SELF-LOCKING NUT M8	1
8	05.774.07	SERIAL PLATE	1
9	05.227.01	HAMMER DRIVE SCREW	2
10	07.574.01	PIN	2
11	00.372.01	LINCH PIN	4
12	T1657	T1657	2
13	9293054	BOLT CUP SQR M8x25	4
14	09.232.01	THRUST WASHER	2
15	08.297.02	BUSH 47x40x40	2
16	08.297.04	BUSH 37x30x30	2

MAINFRAME ASSY RH HARRIER

77.442.02 REV : A

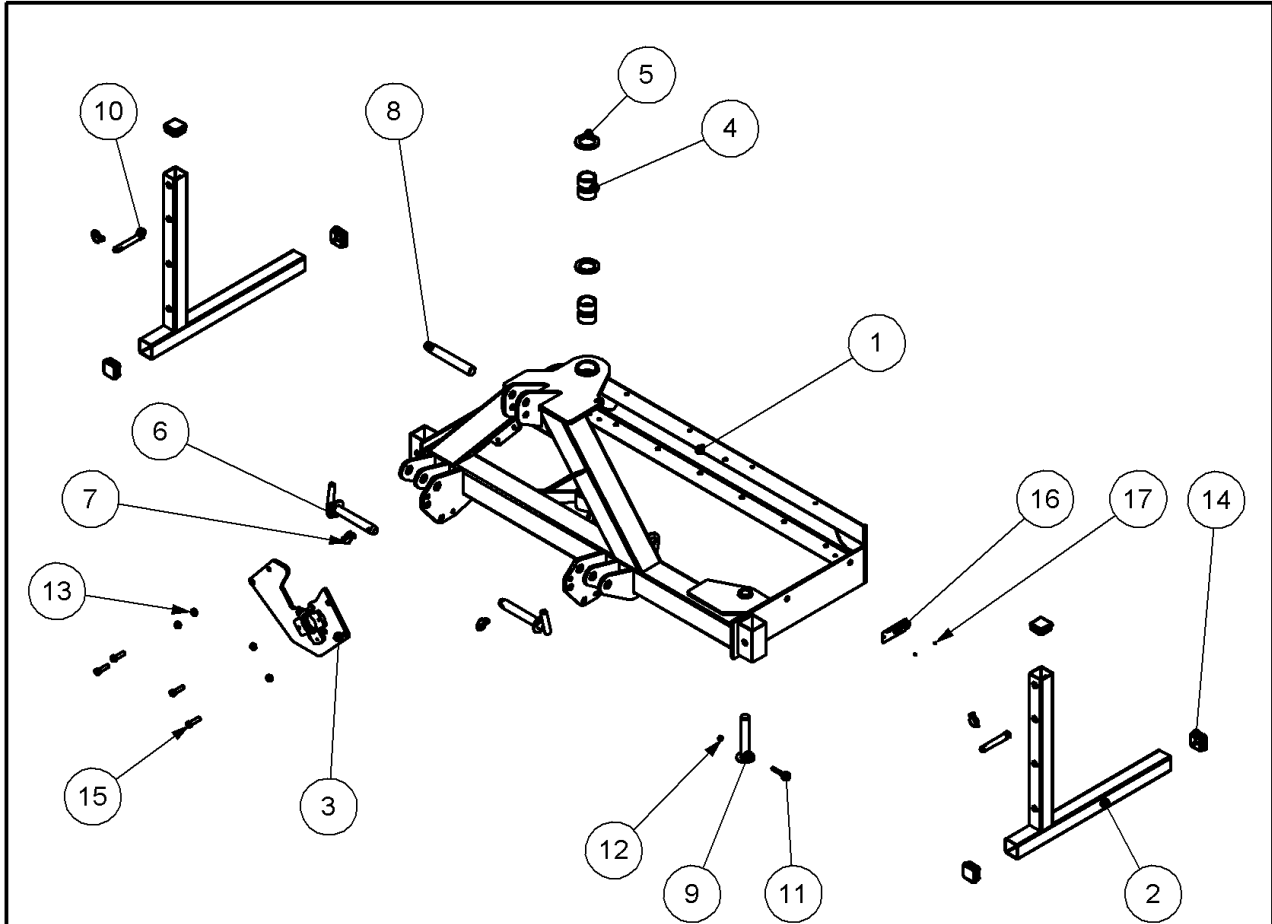


ITEM NO.	PART NUMBER	DESCRIPTION	QTY.
1	47491.02	MAINFRAME - HARRIER RH 84L	1
2	46463.01	STAND ASSEMBLY	2
3	7191108	PLASTIC PLUG	6
4	42118.02	LINK - BREAKOUT RH	1
5	03.654.75	PIN 30 DIA. x 224	1
6	05.291.06	BOLT M8x55	1
7	05.287.01	SELF-LOCKING NUT M8	1
8	05.774.07	SERIAL PLATE	1
9	05.227.01	HAMMER DRIVE SCREW	2
10	07.574.01	PIN	2
11	00.372.01	LINCH PIN	4
12	T1657	T1657	2
13	9293054	BOLT CUP SQR M8x25	4
14	09.232.01	THRUST WASHER	2
15	08.297.02	BUSH 47x40x40	2
16	08.297.04	BUSH 37x30x30	2



MAINFRAME ASSY RH

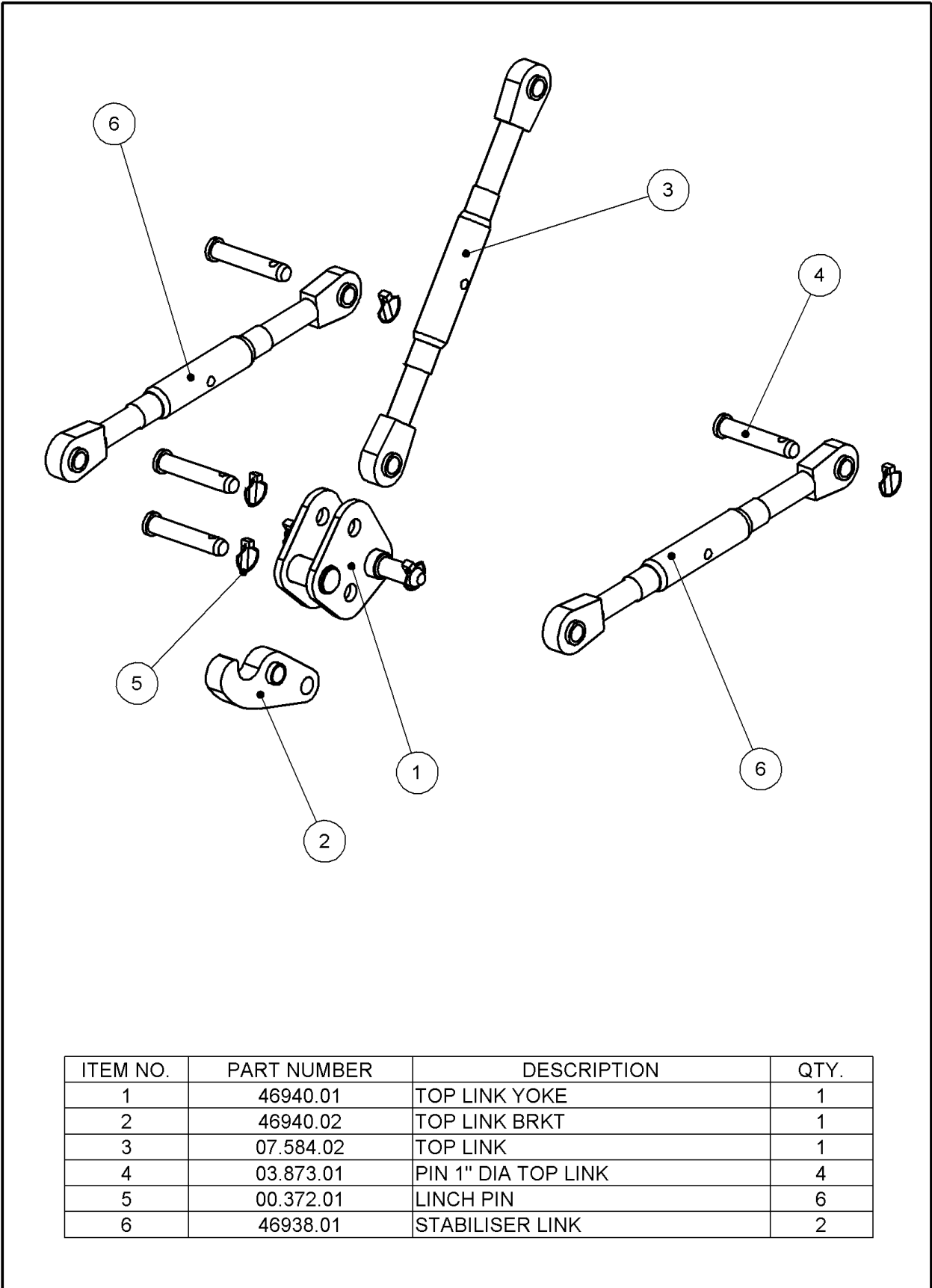
77.443.02 REV : A



ITEM NO.	PART NUMBER	DESCRIPTION	QTY.
1	47490.02	MAINFRAME RH LW	1
2	46463.01	STAND ASSEMBLY	2
3	47492.02	GEARBOX MTG PLATE	1
4	08.297.13	BUSH 60X50X30	4
5	09.918.01	THRUST WASHER	2
6	07.574.01	PIN	2
7	00.372.01	LINCH PIN	4
8	03.654.96	PIN 30 DIA X 198	1
9	03.654.94	PIN 30 DIA X 166	1
10	T1657	T1657	2
11	05.291.06	BOLT M8x55	1
12	05.287.01	SELF-LOCKING NUT M8	1
13	05.287.03	SELF-LOCKING NUT M12	4
14	7191108	PLASTIC PLUG	6
15	05.264.26	SETSCREW M12x45	4
16	05.774.07	SERIAL PLATE	1
17	05.227.01	HAMMER DRIVE SCREW	2

BUDGET TUBULAR STABILISERS

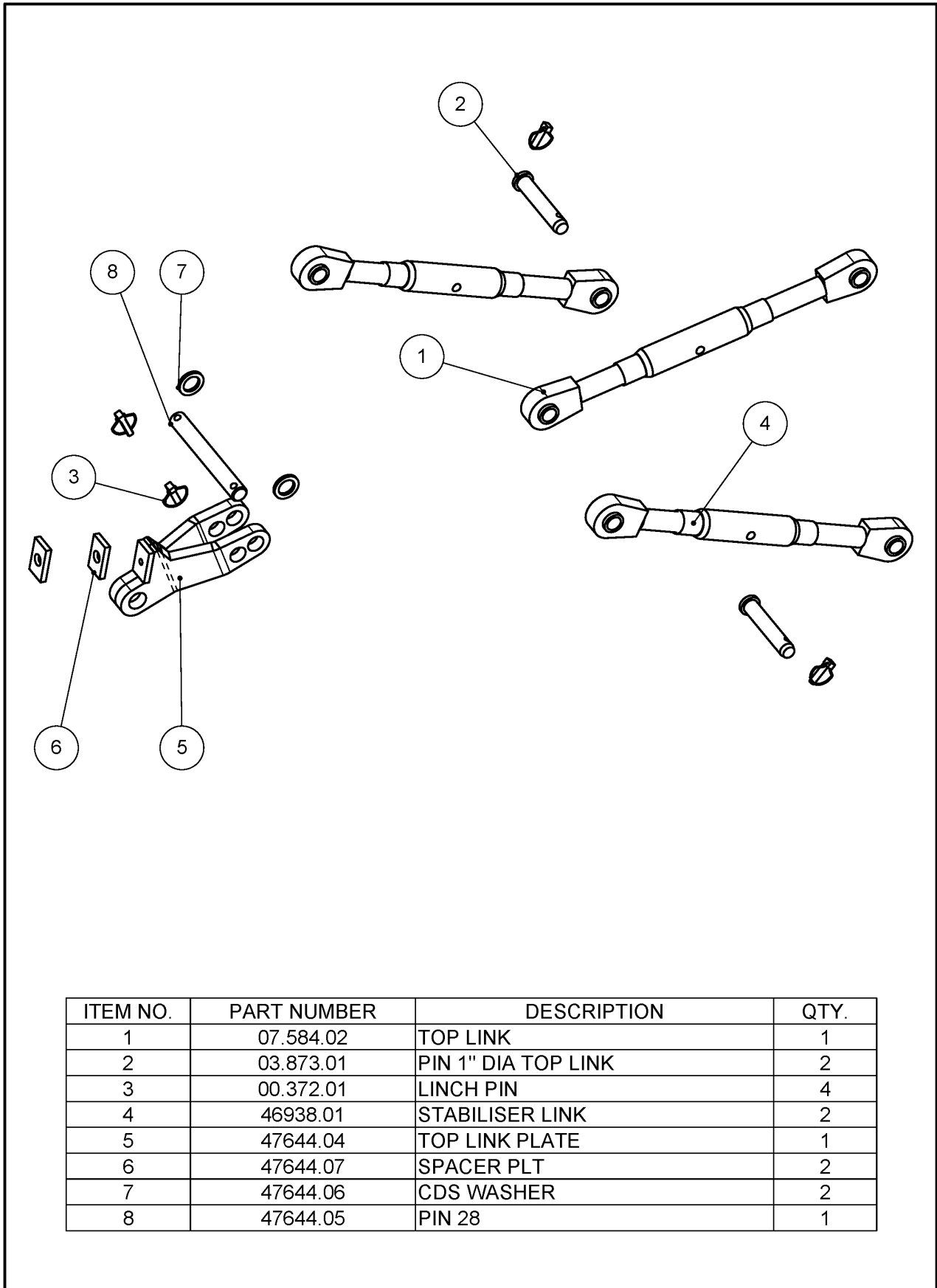
77.310.01 REV : A



ITEM NO.	PART NUMBER	DESCRIPTION	QTY.
1	46940.01	TOP LINK YOKE	1
2	46940.02	TOP LINK BRKT	1
3	07.584.02	TOP LINK	1
4	03.873.01	PIN 1" DIA TOP LINK	4
5	00.372.01	LINCH PIN	6
6	46938.01	STABILISER LINK	2

TUBULAR STABILISERS WITH ADJUSTABLE NOSEPIECE

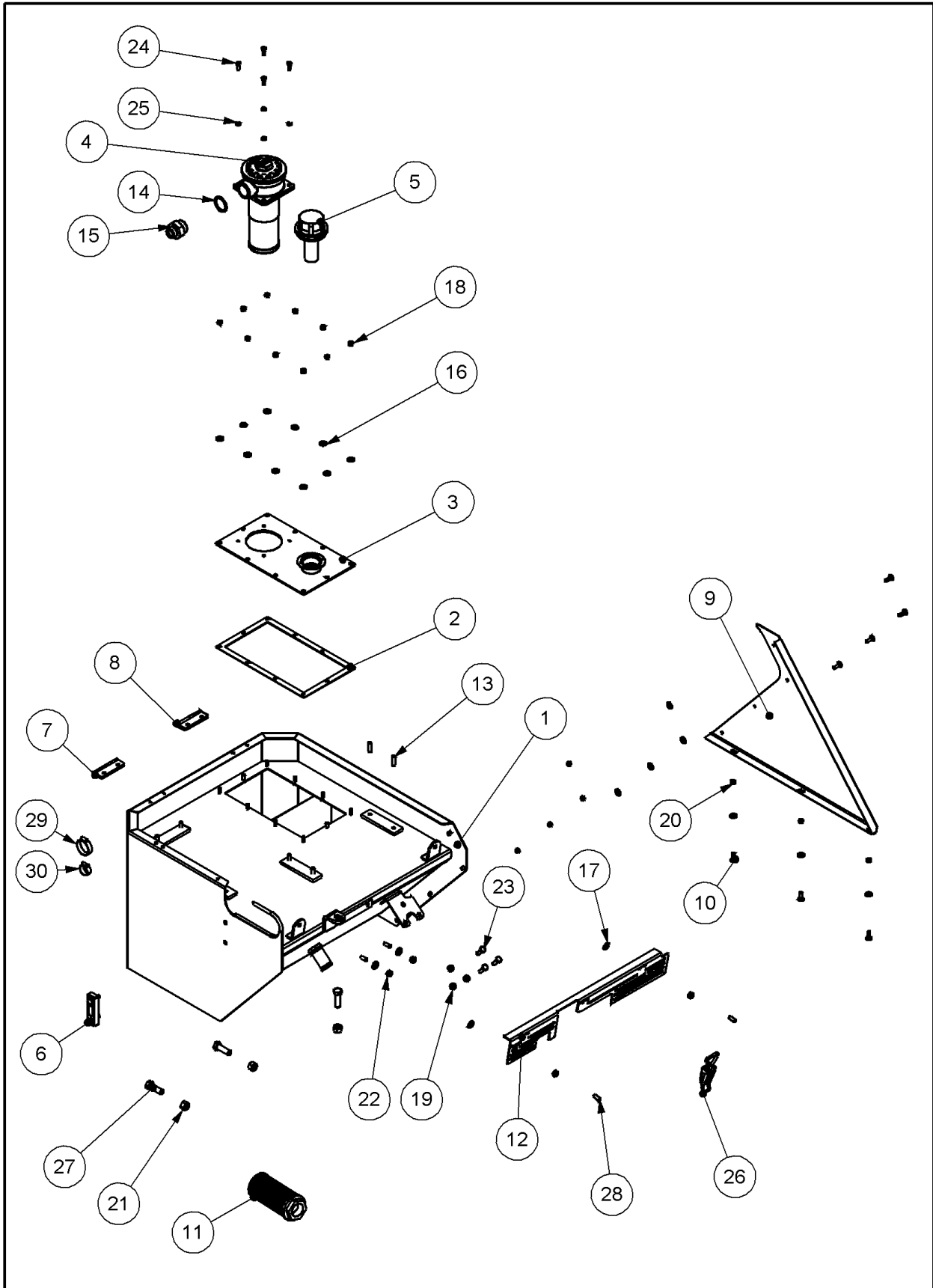
77.310.02 REV : A



ITEM NO.	PART NUMBER	DESCRIPTION	QTY.
1	07.584.02	TOP LINK	1
2	03.873.01	PIN 1" DIA TOP LINK	2
3	00.372.01	LINCH PIN	4
4	46938.01	STABILISER LINK	2
5	47644.04	TOP LINK PLATE	1
6	47644.07	SPACER PLT	2
7	47644.06	CDS WASHER	2
8	47644.05	PIN 28	1

OIL TANK ASSY - HARRIER

77.305.01 REV : A



## OIL TANK ASSY - HARRIER

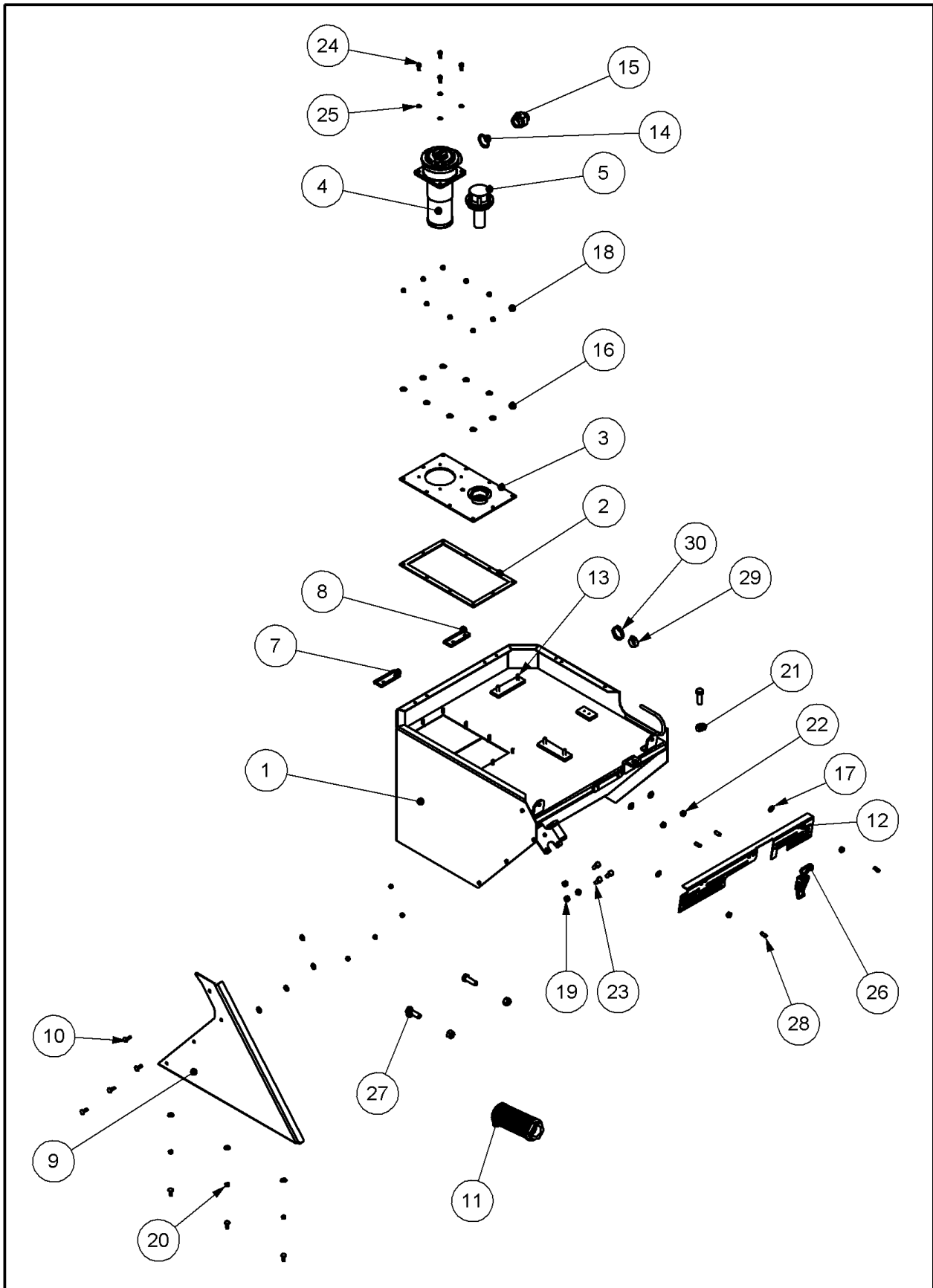
77.305.01 REV : A

## OIL TANK ASSY - HARRIER - 77.305.01

ITEM NO.	PART NUMBER	DESCRIPTION	QTY.
1	46911.03	HARRIER TANK LH	1
2	08.605.01	GASKET	1
3	41.255.01	PLATE - FILLER/FILTER	1
4	46750.01	FILTER ASSEMBLY 125L PARKER	1
5	06.966.02	FILLER BREATHER CAP & STRAIN	1
6	08.921.01	FLUID LEVEL GAUGE	1
7	46065.01	HINGE	1
8	46065.02	HINGE	1
9	46229.01	GUARD - REAR LH	1
10	9293054	BOLT CUP SQR M8x25	7
11	8401047	STRAINER	1
12	47333.03	FRONT PLT LH	1
13	03.100.01	STUD M10x34	6
14	05.290.08	BONDED SEAL 1.1/4" BSP	1
15	05.131.01	ADAPTOR 1" x 1.1/4"BSP	1
16	05.281.01	FLAT WASHER M8	17
17	05.281.02	FLAT WASHER M10	4
18	05.286.01	NUT M8	10
19	05.286.02	NUT M10	3
20	05.287.01	SELF-LOCKING NUT M8	7
21	05.287.04	SELF-LOCKING NUT M16	3
22	05.287.02	SELF-LOCKING NUT M10	4
23	05.264.13	SETSCREW M10x30	3
24	05.264.01	SETSCREW M8x20	4
25	05.282.01	SPRING WASHER M8	4
26	43449.04	FASTENER OVERCENTRE	1
27	05.291.35	BOLT M16x50	3
28	04.282.88	STUD M10 X 23	4
29	05.863.02	JUBILEE CLIP 2"DIA	1
30	05.863.03	JUBILEE CLIP 20-32 DIA	1

TANK ASSY HARRIER RH

77.305.02 REV : A



## TANK ASSY HARRIER RH

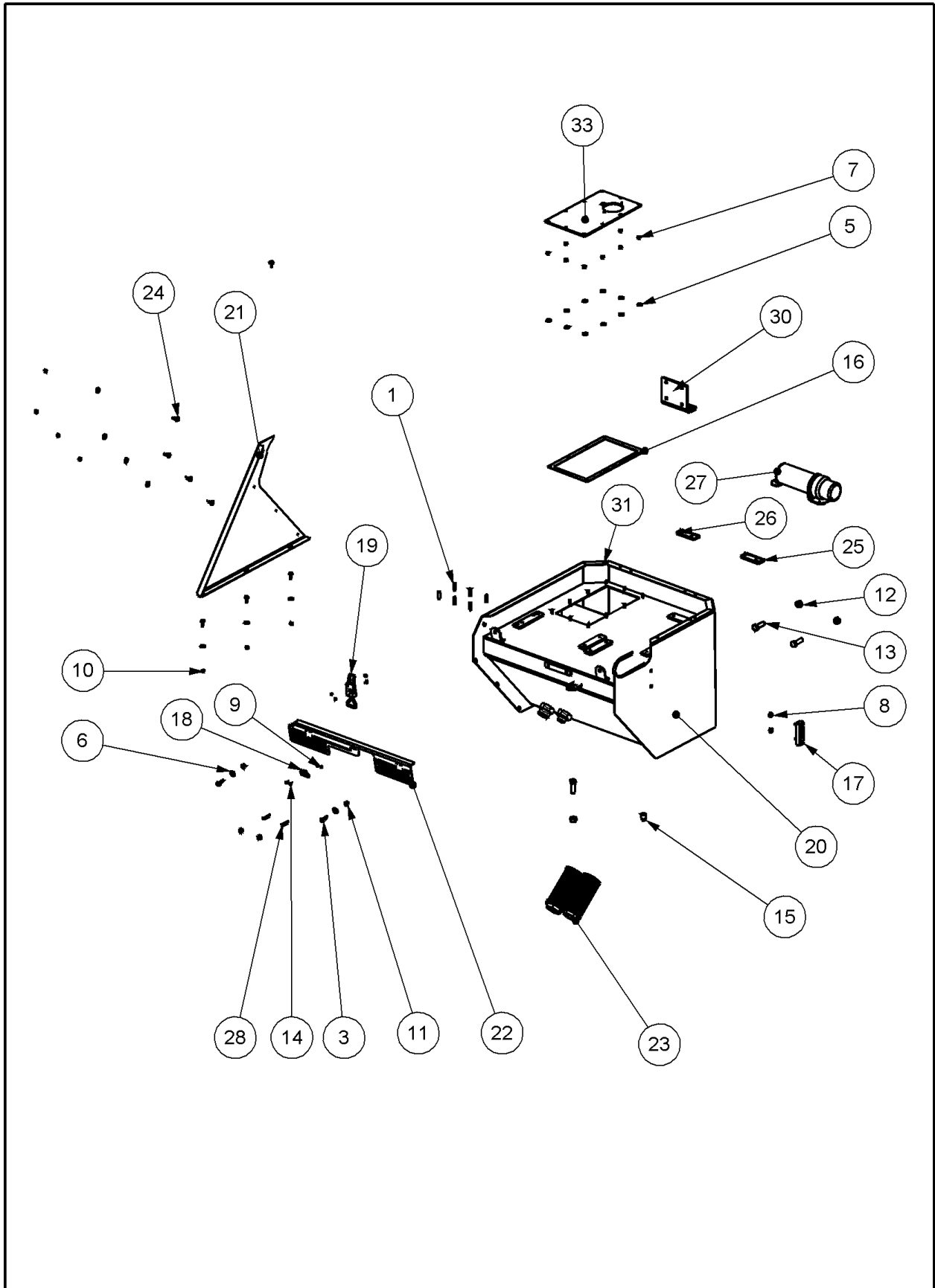
77.305.02 REV : A

## OIL TANK ASSY - HARRIER - 77.305.02

ITEM NO.	PART NUMBER	DESCRIPTION	QTY.
1	46911.04	HARRIER TANK RH	1
2	08.605.01	GASKET	1
3	47628.01	PLATE	1
4	46750.01	FILTER ASSEMBLY 125L PARKER	1
5	06.966.02	FILLER BREATHER CAP & STRAIN	1
6	08.921.01	FLUID LEVEL GAUGE	1
7	46065.01	HINGE	1
8	46065.02	HINGE	1
9	46229.02	GUARD - REAR RH	1
10	9293054	BOLT CUP SQR M8x25	7
11	8401047	STRAINER	1
12	47333.04	FRONT PLT RH	1
13	03.100.01	STUD M10x34	6
14	05.290.08	BONDED SEAL 1.1/4" BSP	1
15	05.131.01	ADAPTOR 1" x 1.1/4"BSP	1
16	05.281.01	FLAT WASHER M8	17
17	05.281.02	FLAT WASHER M10	4
18	05.286.01	NUT M8	10
19	05.286.02	NUT M10	3
20	05.287.01	SELF-LOCKING NUT M8	7
21	05.287.04	SELF-LOCKING NUT M16	3
22	05.287.02	SELF-LOCKING NUT M10	4
23	05.264.13	SETSCREW M10x30	3
24	05.264.01	SETSCREW M8x20	4
25	05.282.01	SPRING WASHER M8	4
26	43449.04	FASTENER OVERCENTRE	1
27	05.291.35	BOLT M16x50	3
28	04.282.88	STUD M10 X 23	4
29	05.863.03	JUBILEE CLIP 20-32 DIA	1
30	47603.01	CLAMP - MIKALOR	2

TANK ASSEMBLY RH

77.305.06 REV : A





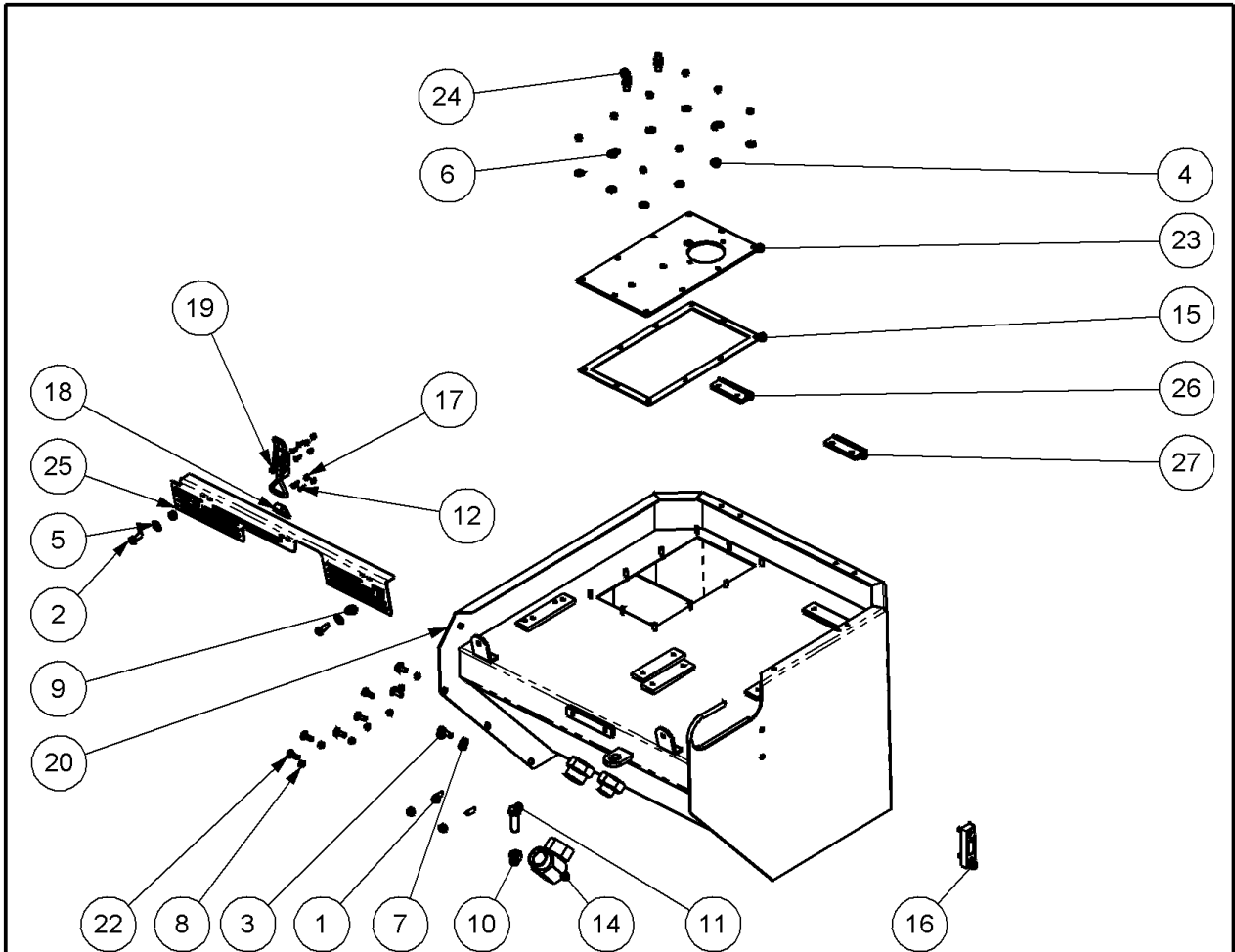
## TANK ASSEMBLY RH

77.305.06 REV : A

ITEM NO.	PART NUMBER	DESCRIPTION	QTY.
1	03.100.01	STUD M10x34	6
2	04.282.42	STUD M10 X 40	2
3	05.264.12	SETSCREW M10x25	2
4	05.264.13	SETSCREW M10x30	1
5	05.281.01	FLAT WASHER M8	17
6	05.281.02	FLAT WASHER M10	2
7	05.286.01	NUT M8	10
8	05.286.02	NUT M10	3
9	05.286.09	NUT M5	4
10	05.287.01	SELF-LOCKING NUT M8	7
11	05.287.02	SELF-LOCKING NUT M10	4
12	05.287.04	SELF-LOCKING NUT M16	3
13	05.291.35	BOLT M16x50	3
14	9353022	M5 SOCKET HEAD C/SK	4
15	05.495.01	PLUG 1/2" BSPT	1
16	08.605.01	GASKET	1
17	08.921.01	FLUID LEVEL GAUGE	1
18	43449.03	TOGGLE CLAMP PLATE	1
19	43449.04	FASTENER OVERCENTRE	1
20	46225.08	HAWK TANK RH	1
21	46229.06	GUARD - REAR RH 100L	1
22	47333.02	COVER - TANK RH	1
23	8401047	STRAINER	2
24	9293054	BOLT CUP SQR M8x25	7
25	46065.01	HINGE	1
26	46065.02	HINGE	1
27	46505.01	LITERATURE HOLDER	1
28	04.282.88	STUD M10 X 23	2
29	05.292.32	BOLT M16x90	1
30	46095.01	PLATE - VALVE MOUNTING	1
31	46192.01	PUSH ON RETAINER	2
32	05.969.02	SELF-TAP.SCREW No14 3/4"HEX HD	2
33	212.029	PLATE	1

HAWK RH LPH TANK ASSY

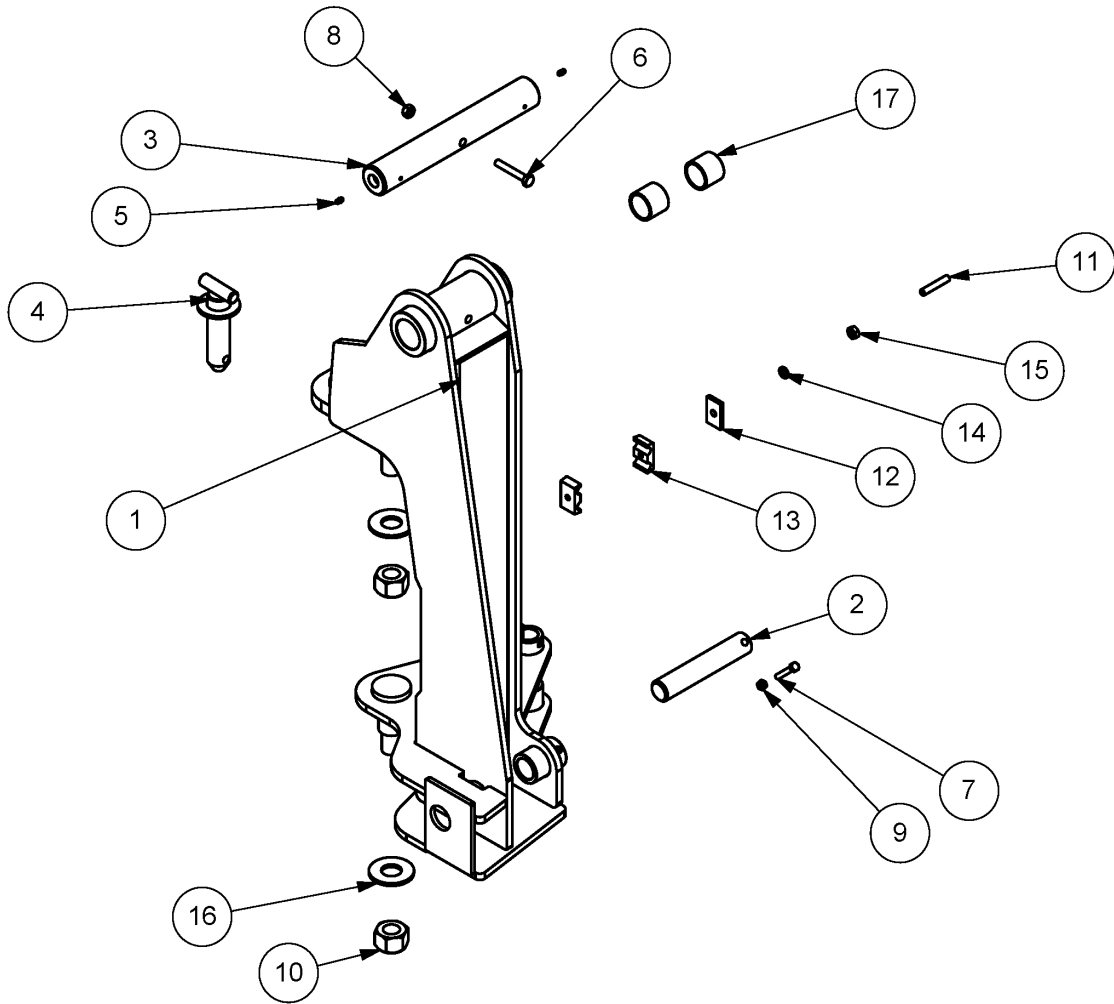
77.176.12 REV : A



ITEM NO.	PART NUMBER	DESCRIPTION	Qty.
1	04.282.88	STUD M10 X 23	2
2	05.264.12	SETSCREW M10x25	2
3	05.264.13	SETSCREW M10x30	1
4	05.281.01	FLAT WASHER M8	11
5	05.281.02	FLAT WASHER M10	2
6	05.286.01	NUT M8	10
7	05.286.02	NUT M10	3
8	05.287.01	SELF-LOCKING NUT M8	7
9	05.287.02	SELF-LOCKING NUT M10	4
10	05.287.04	SELF-LOCKING NUT M16	3
11	05.291.35	BOLT M16x50	3
12	05.345.14	SOCKET CSK SCREW M6x16	5
13	05.495.01	PLUG 1/2" BSPT	1
14	05.835.10	90 ADAPTOR M/F SWIVEL	1
15	08.605.01	GASKET	1
16	08.921.01	FLUID LEVEL GAUGE	1
17	30.070.64	NUT NYLOC M6 Z/P	5
18	43449.03	TOGGLE CLAMP PLATE	1
19	43449.04	FASTENER OVERCENTRE	1
20	46225.08	HAWK TANK RH	1
21	8401047	STRAINER	2
22	9293054	BOLT CUP SQR M8x25	7
23	47631.03	TANK TOP LPH	1
24	08.128.19	ADAPTOR 1/4"BSP BULKHEAD	2
25	47333.02	COVER - TANK RH	1
26	46065.01	HINGE	1
27	46065.02	HINGE	1

KINGPOST PAR ASSY LH HARRIER

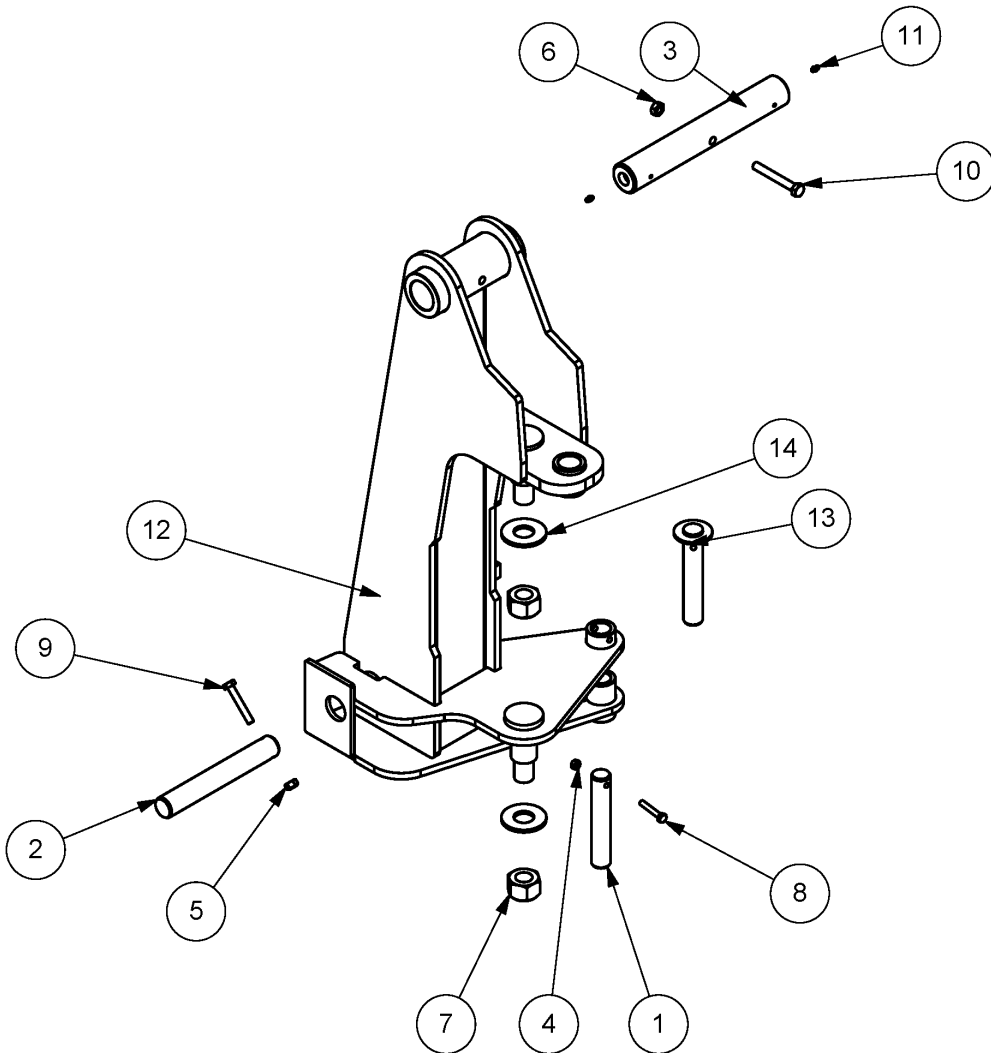
77.301.01 REV : A



ITEM NO.	PART NUMBER	DESCRIPTION	QTY.
1	46876.03	KINGPOST - PAR LH POWER SLEW	1
2	03.655.53	PIN 35 DIA X 189	1
3	03.657.24	PIN 50 DIA - 341	1
4	46923.01	PIN 35DIA	1
5	05.953.01	GREASE NIPPLE M6xStr	2
6	05.291.18	BOLT M10x65	1
7	05.291.05	BOLT M8x50	1
8	05.287.02	SELF-LOCKING NUT M10	1
9	05.287.01	SELF-LOCKING NUT M8	1
10	05.287.07	SELF-LOCKING NUT M30	2
11	04.282.66	STUD M10x56	1
12	06.418.06	FLAT	1
13	06.430.02	HOSE CLAMP 14 x 14	2
14	05.282.02	SPRING WASHER M10	1
15	05.286.02	NUT M10	1
16	05.962.07	1.1/4" FLAT WASHER(P)	2
17	08.297.02	BUSH 47x40x40	2

KINGPOST ASSEMBLY RH

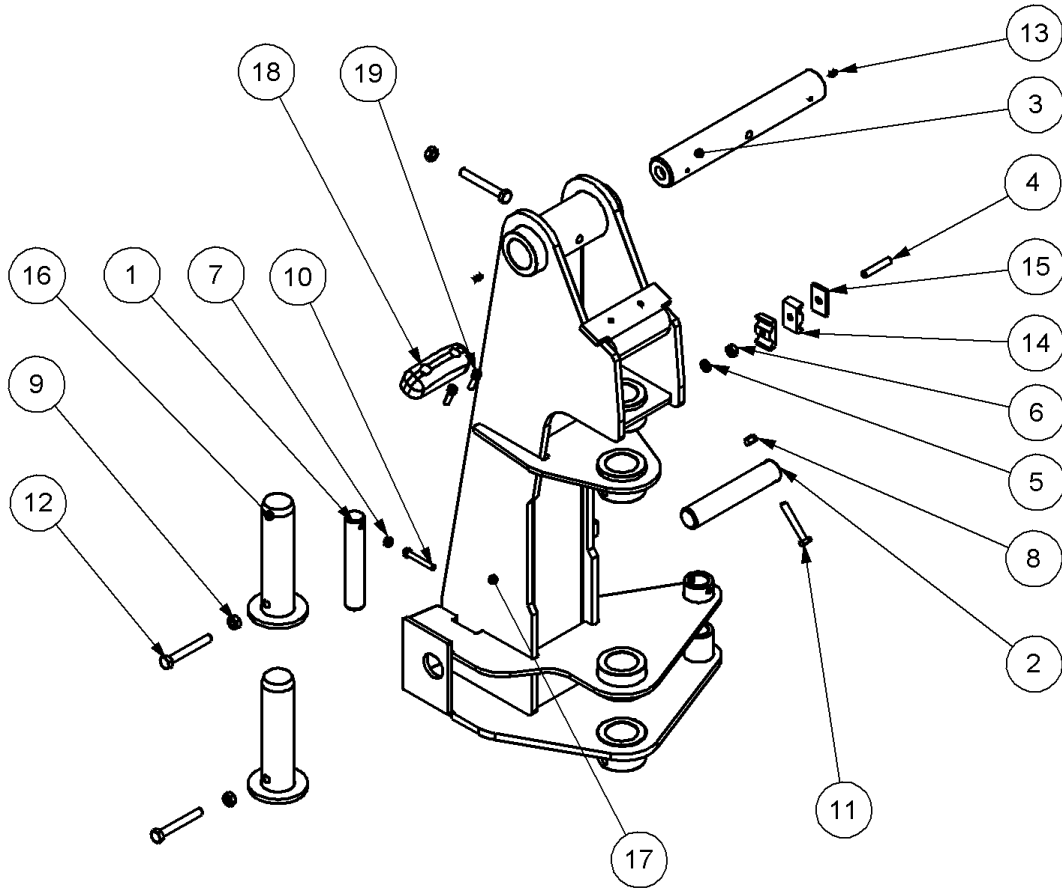
77.301.08 REV : A



ITEM NO.	PART NUMBER	DESCRIPTION	QTY.
1	03.654.89	PIN 30 DIA X 170	1
2	03.655.63	PIN - 35 DIA. x 240	1
3	03.657.24	PIN 50 DIA - 341	1
4	05.287.01	SELF-LOCKING NUT M8	2
5	05.287.02	SELF-LOCKING NUT M10	1
6	05.287.03	SELF-LOCKING NUT M12	1
7	05.287.07	SELF-LOCKING NUT M30	2
8	05.291.05	BOLT M8x50	2
9	05.291.18	BOLT M10x65	1
10	05.292.22	BOLT M12x90	1
11	05.953.01	GREASE NIPPLE M6xStr	2
12	46876.04	HARRER KPOST PARA	1
13	03.654.94	PIN 30 DIA X 166	1
14	05.962.07	1.1/4" FLAT WASHER(P)	2

KINGPOST ASSEMBLY RH

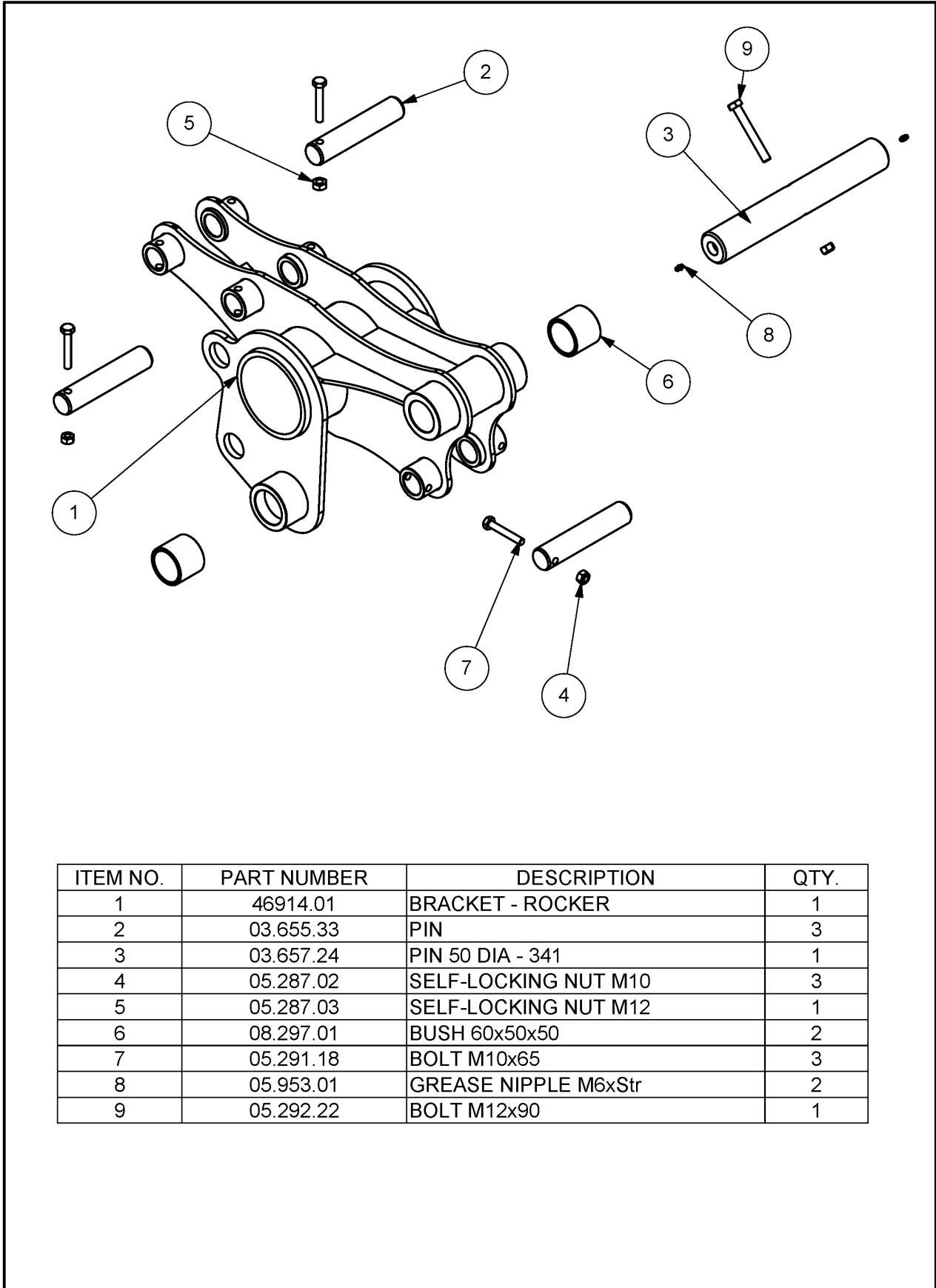
77.197.05 REV : A



ITEM NO.	PART NUMBER	DESCRIPTION	QTY.
1	03.654.89	PIN 30 DIA X 170	1
2	03.655.53	PIN 35 DIA X 189	1
3	03.657.24	PIN 50 DIA - 341	1
4	04.282.66	STUD M10x56	1
5	05.282.02	SPRING WASHER M10	1
6	05.286.02	NUT M10	1
7	05.287.01	SELF-LOCKING NUT M8	1
8	05.287.02	SELF-LOCKING NUT M10	1
9	05.287.03	SELF-LOCKING NUT M12	3
10	05.291.06	BOLT M8x55	1
11	05.291.18	BOLT M10x65	1
12	05.292.22	BOLT M12x90	3
13	05.953.01	GREASE NIPPLE M6xStr	2
14	06.430.02	HOSE CLAMP 14 x 14	2
15	06.418.06	FLAT	1
16	45965.01	PIN - KINGPOST 50MM DIA	2
17	46396.04	KINGPOST RH	1
18	46237.01	BUFFER - RUBBER	1
19	05.625.37	SKT CAPSCREW M8x30	2

ROCKER ASSY HARRIER

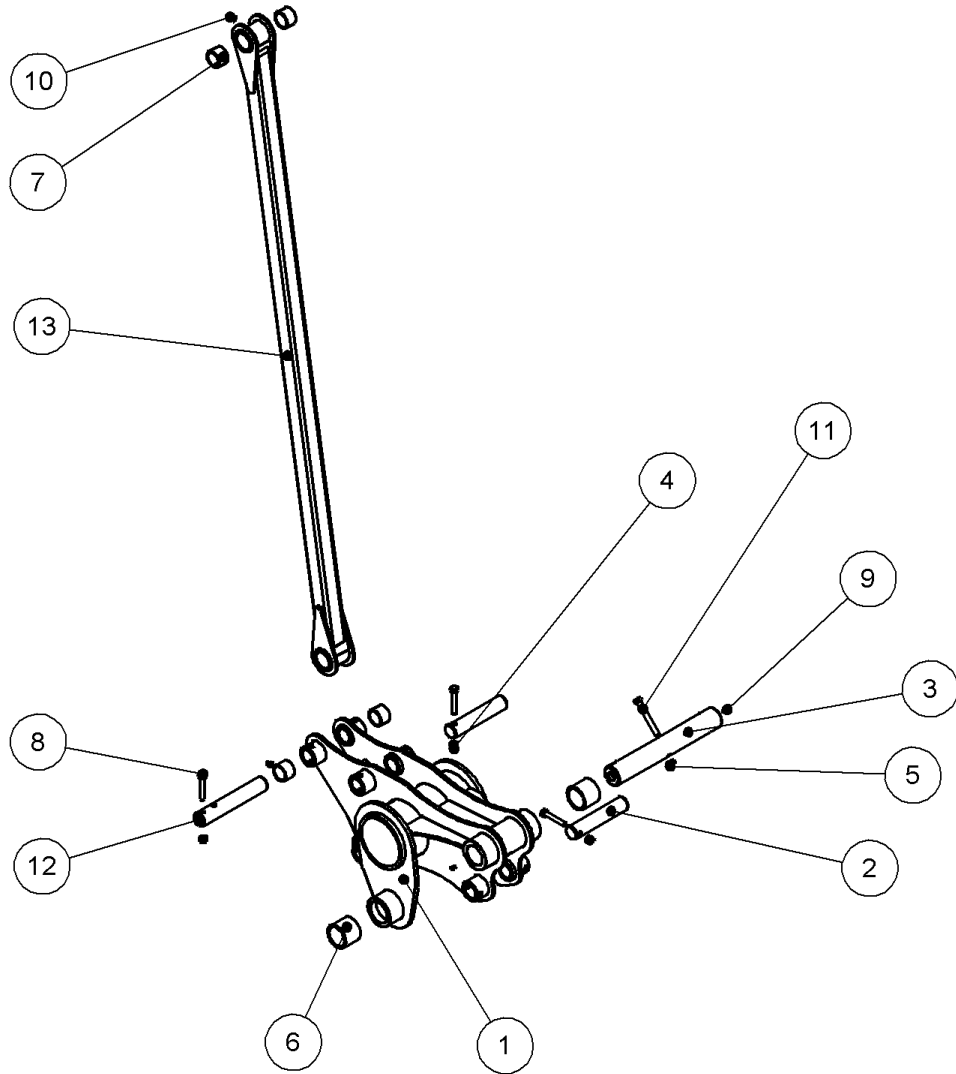
77.307.01 REV : A



ITEM NO.	PART NUMBER	DESCRIPTION	QTY.
1	46914.01	BRACKET - ROCKER	1
2	03.655.33	PIN	3
3	03.657.24	PIN 50 DIA - 341	1
4	05.287.02	SELF-LOCKING NUT M10	3
5	05.287.03	SELF-LOCKING NUT M12	1
6	08.297.01	BUSH 60x50x50	2
7	05.291.18	BOLT M10x65	3
8	05.953.01	GREASE NIPPLE M6xStr	2
9	05.292.22	BOLT M12x90	1

ROCKER AND LINK ASSEMBLY

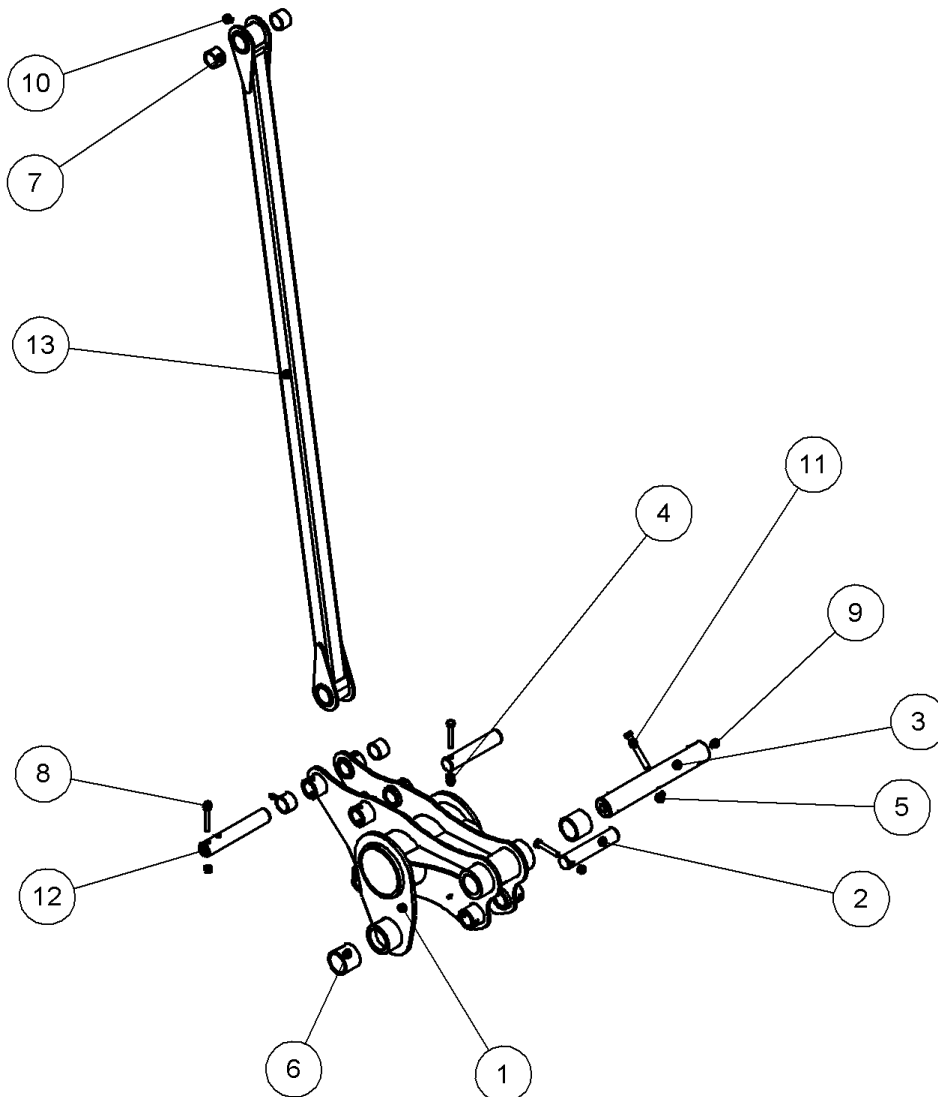
77.307.02 REV : A



ITEM NO.	PART NUMBER	DESCRIPTION	QTY.
1	46914.02	BRACKET - ROCKER	1
2	03.655.33	PIN	2
3	03.657.24	PIN 50 DIA - 341	1
4	05.287.02	SELF-LOCKING NUT M10	3
5	05.287.03	SELF-LOCKING NUT M12	1
6	08.297.01	BUSH 60x50x50	2
7	08.297.05	BUSH 42x35x30	4
8	05.291.18	BOLT M10x65	3
9	05.953.01	GREASE NIPPLE M6xStr	2
10	05.953.03	GREASE NIPPLE M10xStr	2
11	05.292.22	BOLT M12x90	1
12	03.655.72	PIN 35 DIA X 211	1
13	46952.01	LINK - HARRIER 4.7M	1

ROCKER AND LINK ASSEMBLY 5.0

77.307.04 REV : A

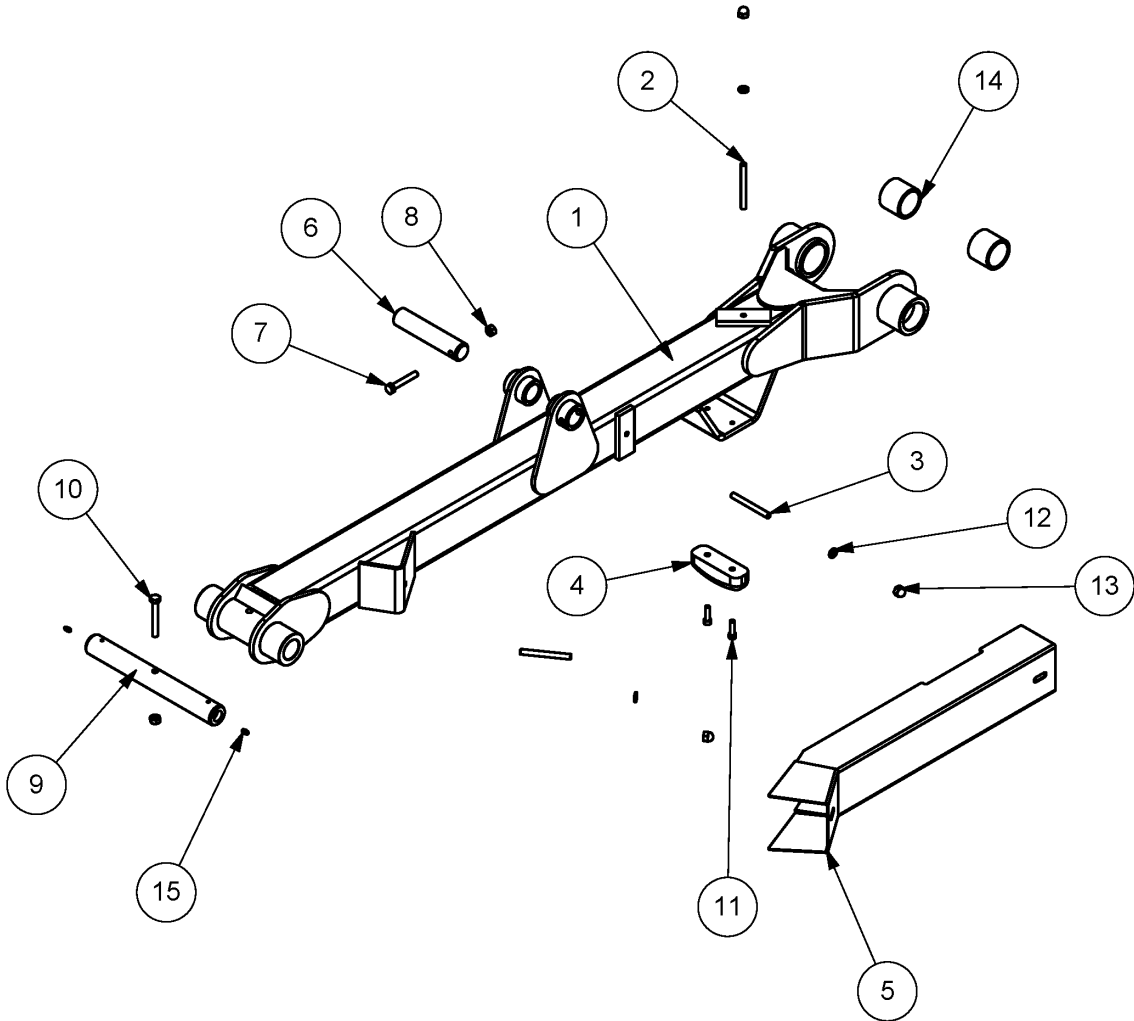


ITEM NO.	PART NUMBER	DESCRIPTION	QTY.
1	46914.02	BRACKET - ROCKER	1
2	03.655.33	PIN	2
3	03.657.24	PIN 50 DIA - 341	1
4	05.287.02	SELF-LOCKING NUT M10	3
5	05.287.03	SELF-LOCKING NUT M12	1
6	08.297.01	BUSH 60x50x50	2
7	08.297.05	BUSH 42x35x30	4
8	05.291.18	BOLT M10x65	3
9	05.953.01	GREASE NIPPLE M6xStr	2
10	05.953.03	GREASE NIPPLE M10xStr	2
11	05.292.22	BOLT M12x90	1
12	03.655.72	PIN 35 DIA X 211	1
13	46963.01	LINK - HARRIER 5.0 PARALLEL	1



FIRST ARM ASSY PAR 4.7 HARR LH

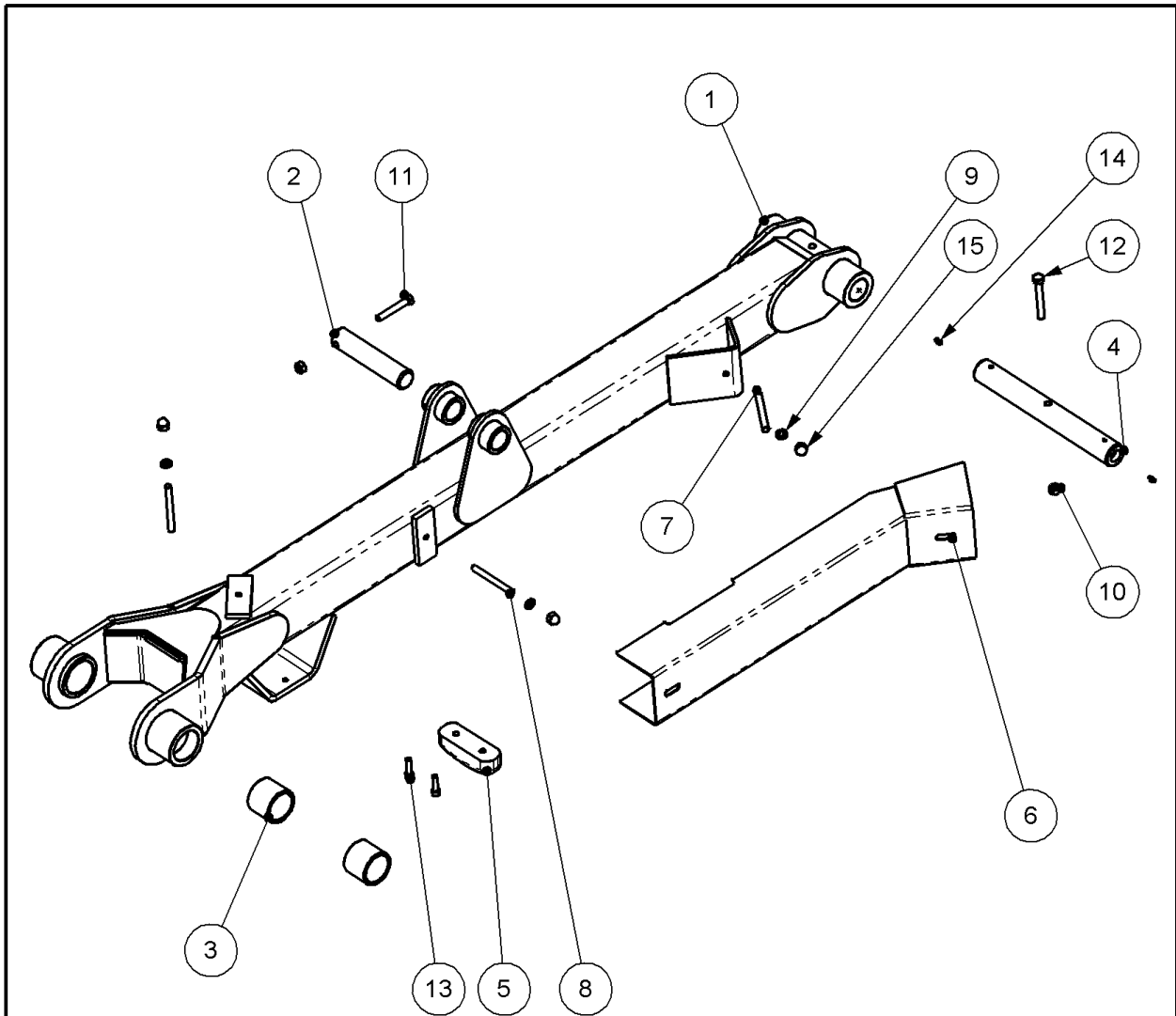
77.311.01 REV : A



ITEM NO.	PART NUMBER	DESCRIPTION	QTY.
1	46950.01	FIRST - ARM 4.7M	1
2	04.282.10	STUDM10x100	1
3	04.282.84	STUD M10X95	2
4	46237.01	BUFFER - RUBBER	1
5	47103.01	FIRST ARM GUARD HARRIER 4.7	1
6	03.655.69	PIN 35	1
7	05.291.18	BOLT M10x65	1
8	05.287.02	SELF-LOCKING NUT M10	2
9	43292.02	PIN Ø40 -328 LONG	1
10	05.292.11	BOLT M10x80	1
11	05.625.37	SKT CAPSCREW M8x30	2
12	05.282.02	SPRING WASHER M10	3
13	9100025	M10 DOME NUT	3
14	08.297.01	BUSH 60x50x50	2
15	05.953.01	GREASE NIPPLE M6xStr	2

1ST ARM 4.7M PARA HARRIER

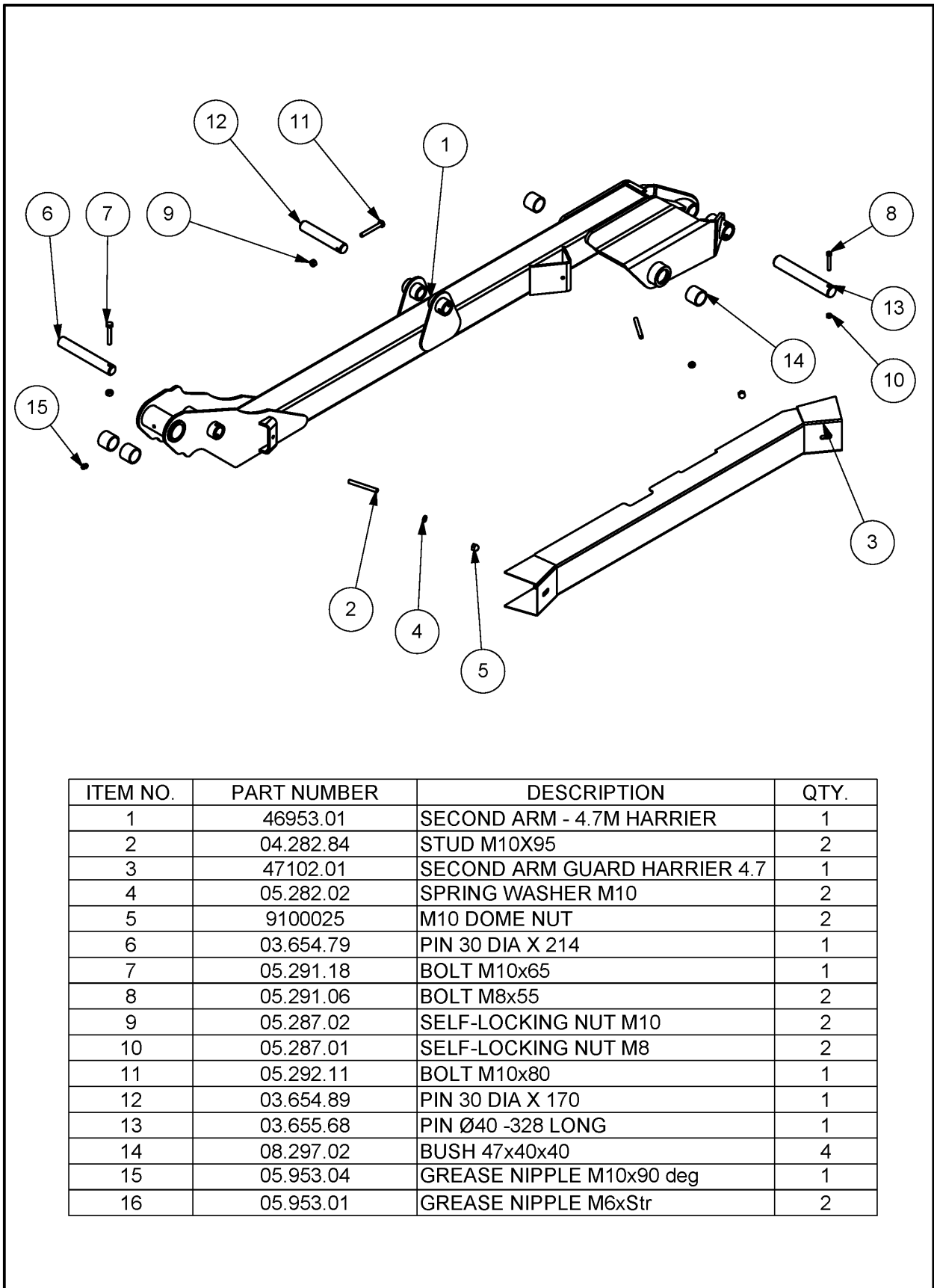
77.311.02 REV : A



ITEM	PART No.	DESCRIPTION	QTY
1	46950.02	PARA RH 1ST ARM 4.7M	1
2	03.655.69	PIN 35	1
3	08.297.01	BUSH 60x50x50	2
4	43292.02	PIN Ø40 -328 LONG	1
5	46237.01	BUFFER - RUBBER	1
6	47103.01	FIRST ARM GUARD HARRIER 4.7	1
7	04.282.10	STUDM10x100	1
8	04.282.84	STUD M10X95	2
9	05.282.02	SPRING WASHER M10	3
10	05.287.02	SELF-LOCKING NUT M10	2
11	05.291.18	BOLT M10x65	1
12	05.292.11	BOLT M10x80	1
13	05.625.37	SKT CAPSCREW M8x30	2
14	05.953.01	GREASE NIPPLE M6xStr	2
15	9100025	M10 DOME NUT	3

SECOND ARM ASSY PAR 4.7 HARRIE

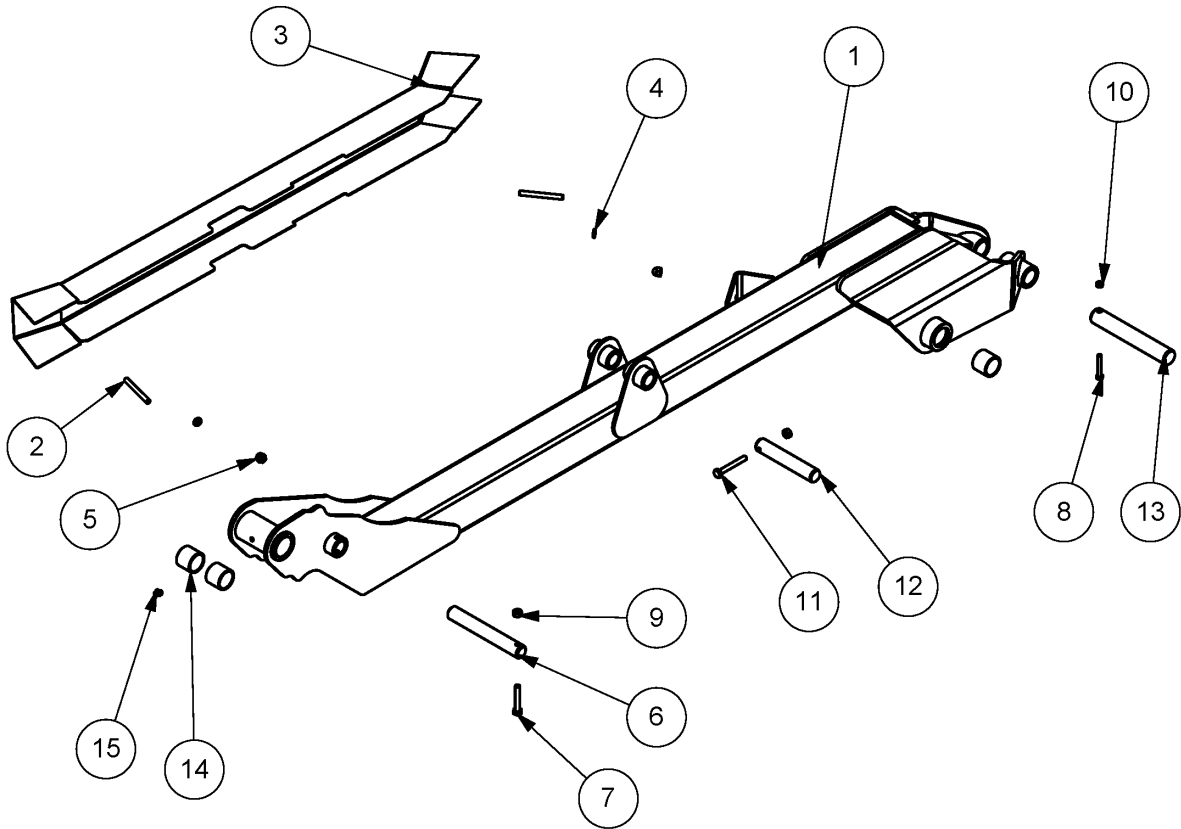
77.312.01 REV : A



ITEM NO.	PART NUMBER	DESCRIPTION	QTY.
1	46953.01	SECOND ARM - 4.7M HARRIER	1
2	04.282.84	STUD M10X95	2
3	47102.01	SECOND ARM GUARD HARRIER 4.7	1
4	05.282.02	SPRING WASHER M10	2
5	9100025	M10 DOME NUT	2
6	03.654.79	PIN 30 DIA X 214	1
7	05.291.18	BOLT M10x65	1
8	05.291.06	BOLT M8x55	2
9	05.287.02	SELF-LOCKING NUT M10	2
10	05.287.01	SELF-LOCKING NUT M8	2
11	05.292.11	BOLT M10x80	1
12	03.654.89	PIN 30 DIA X 170	1
13	03.655.68	PIN Ø40 -328 LONG	1
14	08.297.02	BUSH 47x40x40	4
15	05.953.04	GREASE NIPPLE M10x90 deg	1
16	05.953.01	GREASE NIPPLE M6xStr	2

SECOND ARM ASSY PAR 4.7 RH HAR

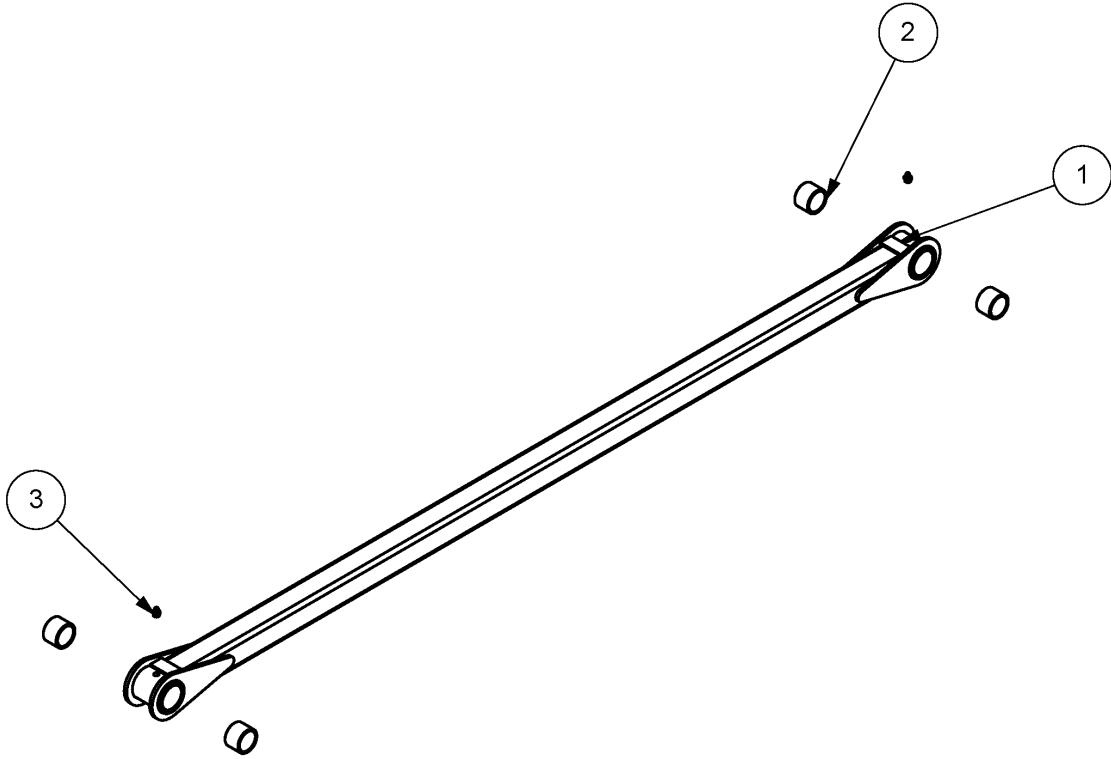
77.312.02 REV : A



ITEM NO.	PART NUMBER	DESCRIPTION	QTY.
1	46953.02	HARRIER PARA 4.7 2ND ARM	1
2	04.282.84	STUD M10X95	2
3	47102.01	SECOND ARM GUARD HARRIER 4.7	1
4	05.282.02	SPRING WASHER M10	2
5	9100025	M10 DOME NUT	2
6	03.654.79	PIN 30 DIA X 214	1
7	05.291.18	BOLT M10x65	1
8	05.291.06	BOLT M8x55	2
9	05.287.02	SELF-LOCKING NUT M10	2
10	05.287.01	SELF-LOCKING NUT M8	2
11	05.292.11	BOLT M10x80	1
12	03.654.89	PIN 30 DIA X 170	1
13	03.655.68	PIN Ø40 -328 LONG	1
14	08.297.02	BUSH 47x40x40	4
15	05.953.04	GREASE NIPPLE M10x90 deg	1
16	05.953.01	GREASE NIPPLE M6xStr	2

PARA LINK ASSY 4.7 HARRIER

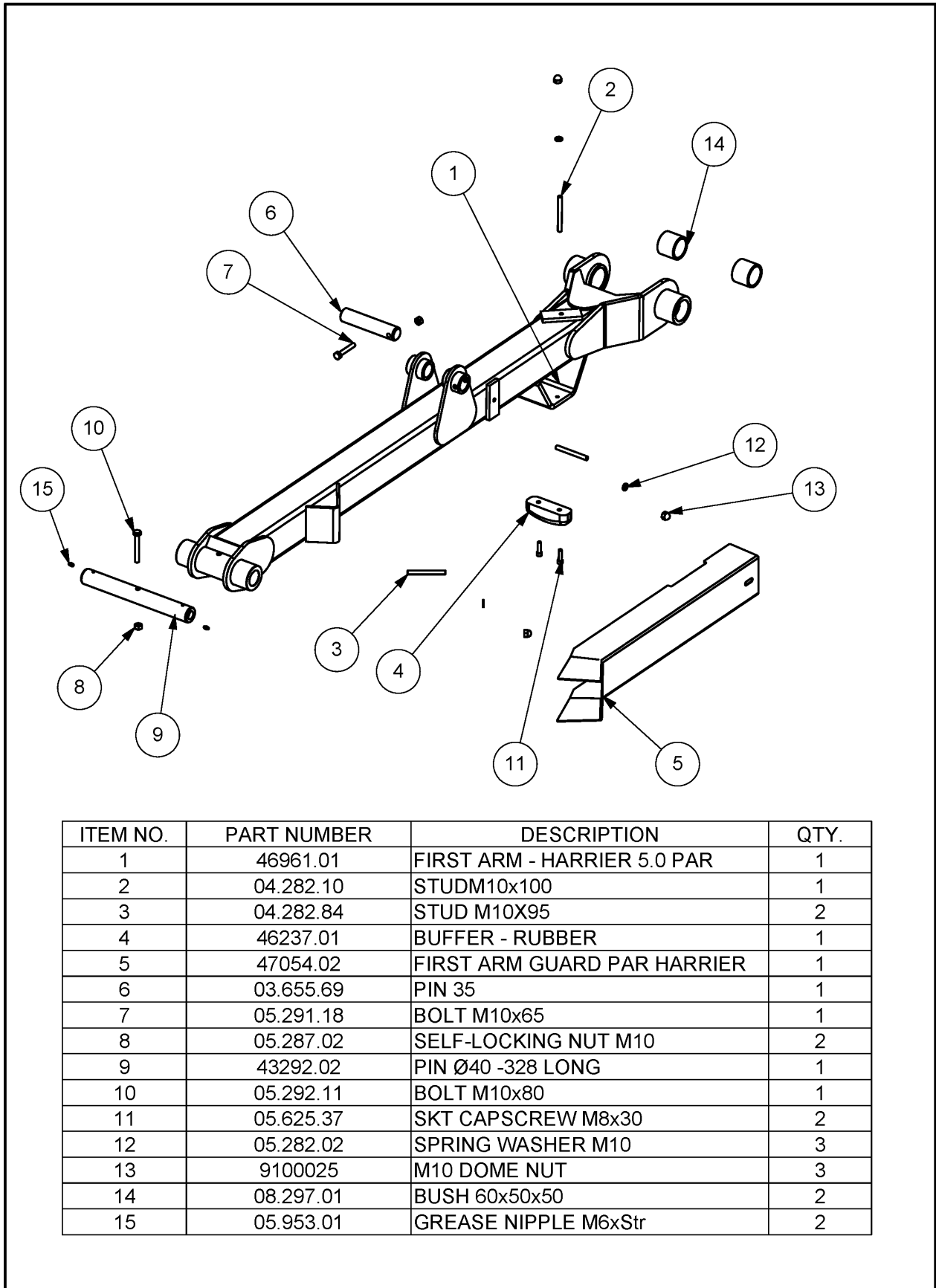
77.313.01 REV : A



ITEM NO.	PART NUMBER	DESCRIPTION	QTY.
1	46952.01	LINK - HARRIER 4.7M	1
2	08.297.05	BUSH 42x35x30	4
3	05.953.03	GREASE NIPPLE M10xStr	2

FIRST ARM ASSY-HARRIER 5.0 PAR

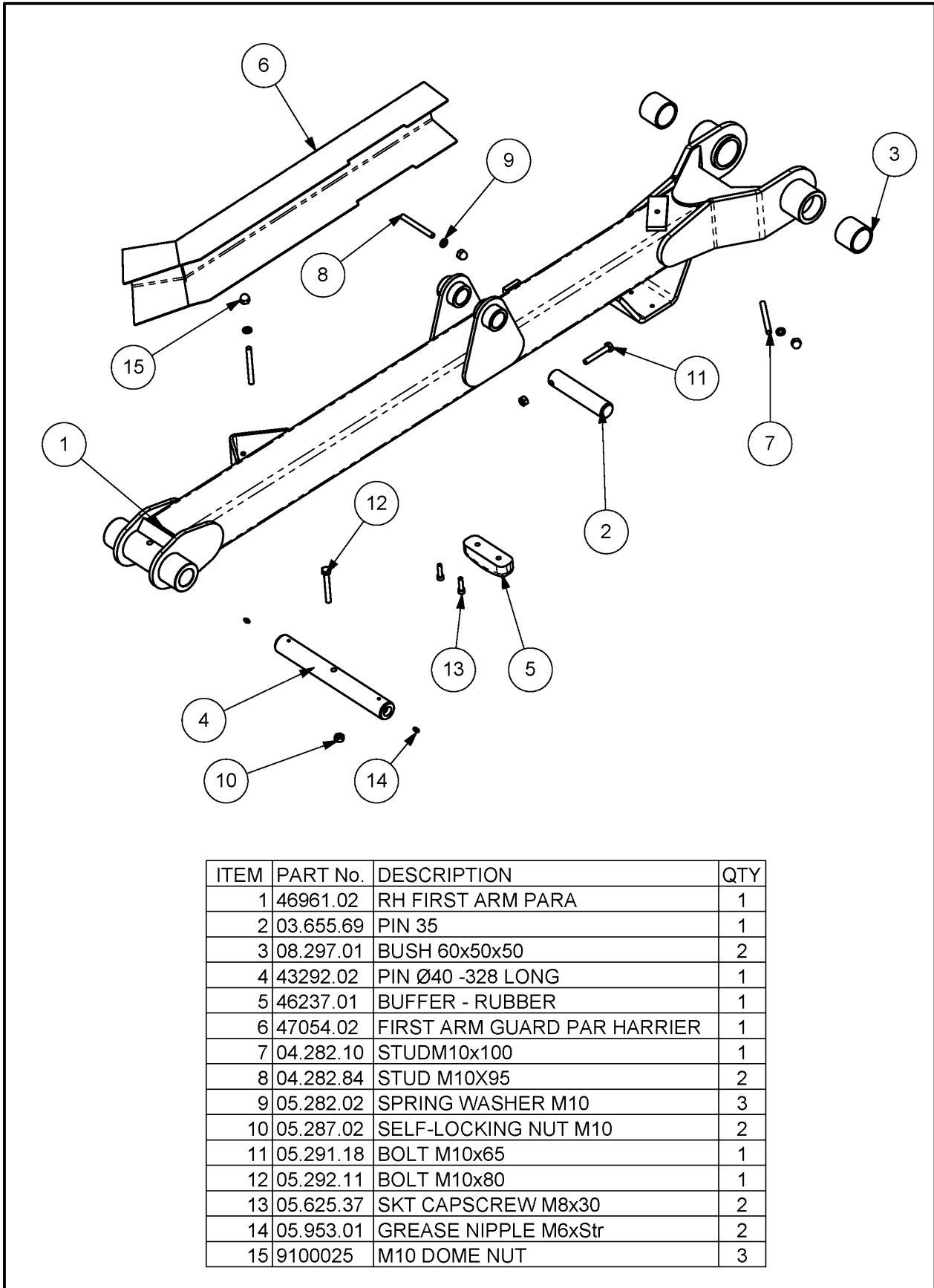
77.318.01 REV : A



ITEM NO.	PART NUMBER	DESCRIPTION	QTY.
1	46961.01	FIRST ARM - HARRIER 5.0 PAR	1
2	04.282.10	STUDM10x100	1
3	04.282.84	STUD M10X95	2
4	46237.01	BUFFER - RUBBER	1
5	47054.02	FIRST ARM GUARD PAR HARRIER	1
6	03.655.69	PIN 35	1
7	05.291.18	BOLT M10x65	1
8	05.287.02	SELF-LOCKING NUT M10	2
9	43292.02	PIN Ø40 -328 LONG	1
10	05.292.11	BOLT M10x80	1
11	05.625.37	SKT CAPSCREW M8x30	2
12	05.282.02	SPRING WASHER M10	3
13	9100025	M10 DOME NUT	3
14	08.297.01	BUSH 60x50x50	2
15	05.953.01	GREASE NIPPLE M6xStr	2

1ST ARM HARRIER 5M RH PARA

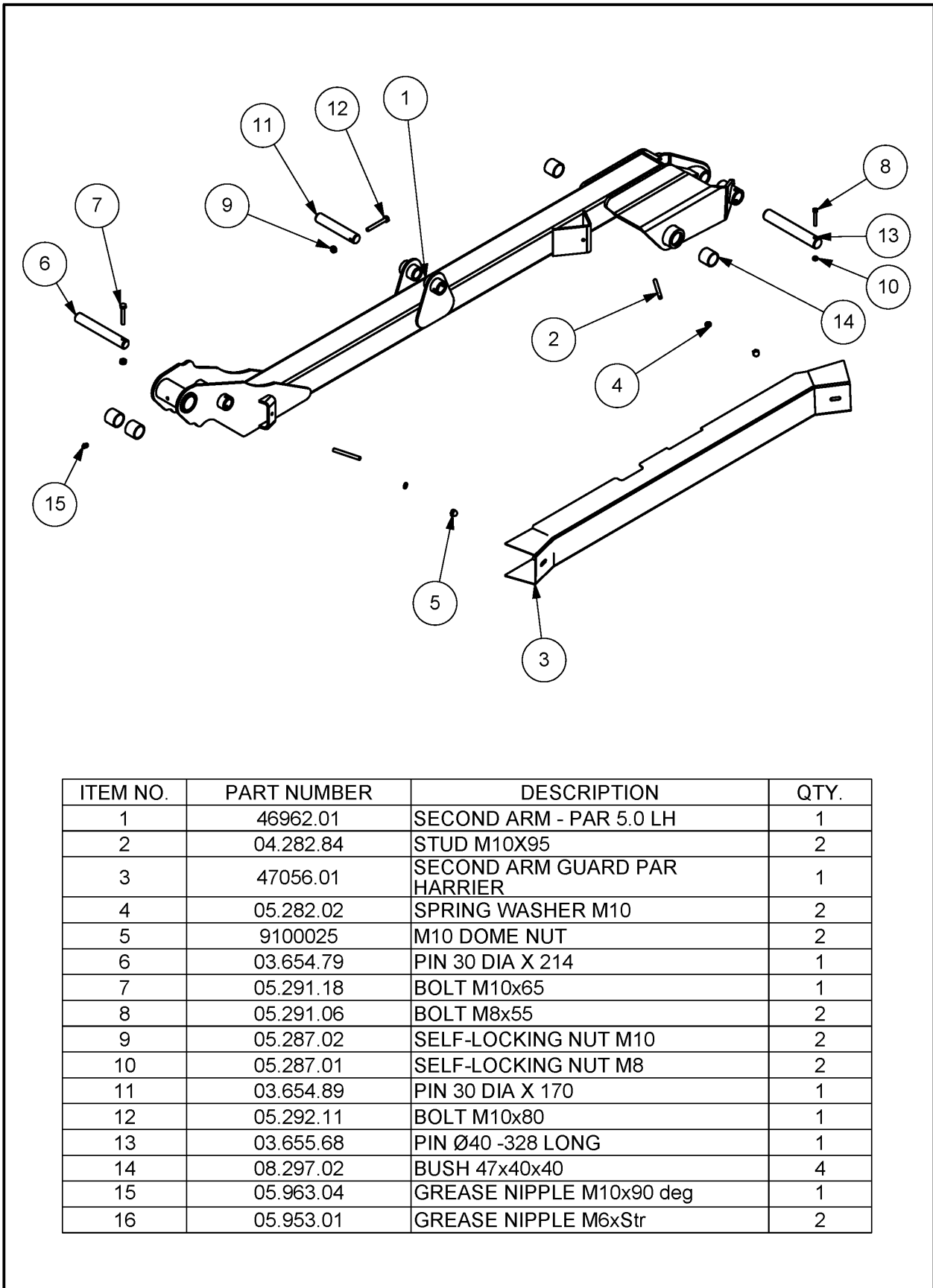
77.318.02 REV : A



ITEM	PART No.	DESCRIPTION	QTY
1	46961.02	RH FIRST ARM PARA	1
2	03.655.69	PIN 35	1
3	08.297.01	BUSH 60x50x50	2
4	43292.02	PIN Ø40 -328 LONG	1
5	46237.01	BUFFER - RUBBER	1
6	47054.02	FIRST ARM GUARD PAR HARRIER	1
7	04.282.10	STUDM10x100	1
8	04.282.84	STUD M10X95	2
9	05.282.02	SPRING WASHER M10	3
10	05.287.02	SELF-LOCKING NUT M10	2
11	05.291.18	BOLT M10x65	1
12	05.292.11	BOLT M10x80	1
13	05.625.37	SKT CAPSCREW M8x30	2
14	05.953.01	GREASE NIPPLE M6xStr	2
15	9100025	M10 DOME NUT	3

SECOND ARM ASSY-HARRIER 5.0PAR

77.316.01 REV : A

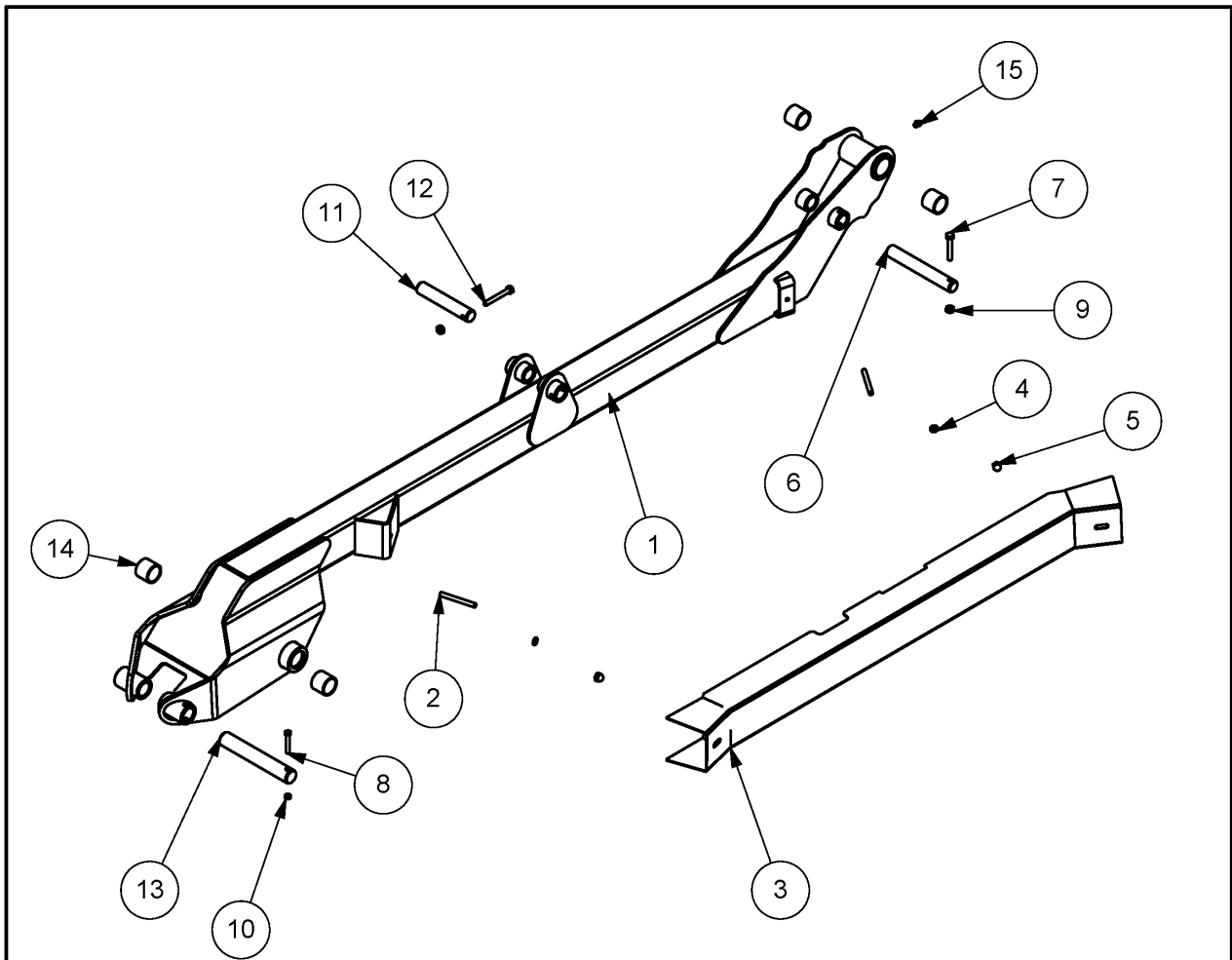


ITEM NO.	PART NUMBER	DESCRIPTION	QTY.
1	46962.01	SECOND ARM - PAR 5.0 LH	1
2	04.282.84	STUD M10X95	2
3	47056.01	SECOND ARM GUARD PAR HARRIER	1
4	05.282.02	SPRING WASHER M10	2
5	9100025	M10 DOME NUT	2
6	03.654.79	PIN 30 DIA X 214	1
7	05.291.18	BOLT M10x65	1
8	05.291.06	BOLT M8x55	2
9	05.287.02	SELF-LOCKING NUT M10	2
10	05.287.01	SELF-LOCKING NUT M8	2
11	03.654.89	PIN 30 DIA X 170	1
12	05.292.11	BOLT M10x80	1
13	03.655.68	PIN Ø40 -328 LONG	1
14	08.297.02	BUSH 47x40x40	4
15	05.963.04	GREASE NIPPLE M10x90 deg	1
16	05.953.01	GREASE NIPPLE M6xStr	2



2ND ARM ASSY HARRIER 5M RH PAR

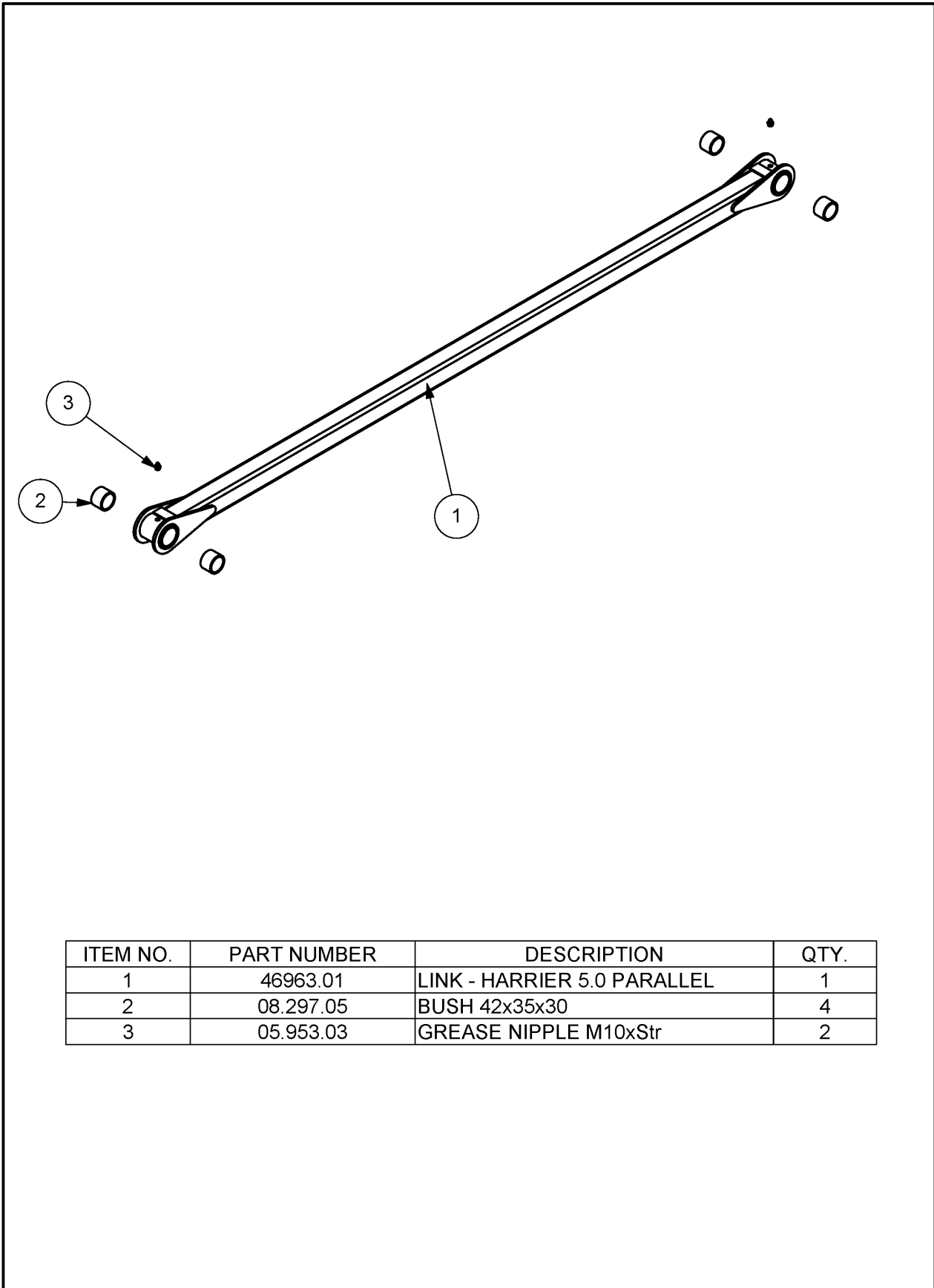
77.316.02 REV : A



ITEM NO.	PART NUMBER	DESCRIPTION	QTY.
1	46962.02	SECOND ARM PARA	1
2	04.282.84	STUD M10X95	2
3	47056.01	SECOND ARM GUARD PAR HARRIER	1
4	05.282.02	SPRING WASHER M10	2
5	9100025	M10 DOME NUT	2
6	03.654.79	PIN 30 DIA X 214	1
7	05.291.18	BOLT M10x65	1
8	05.291.06	BOLT M8x55	2
9	05.287.02	SELF-LOCKING NUT M10	2
10	05.287.01	SELF-LOCKING NUT M8	2
11	03.654.89	PIN 30 DIA X 170	1
12	05.292.11	BOLT M10x80	1
13	03.655.68	PIN Ø40 -328 LONG	1
14	08.297.02	BUSH 47x40x40	4
15	05.963.04	GREASE NIPPLE M10x90 deg	1
16	05.953.01	GREASE NIPPLE M6xStr	2

LINK ASSY - HARRIER 5.0 PAR

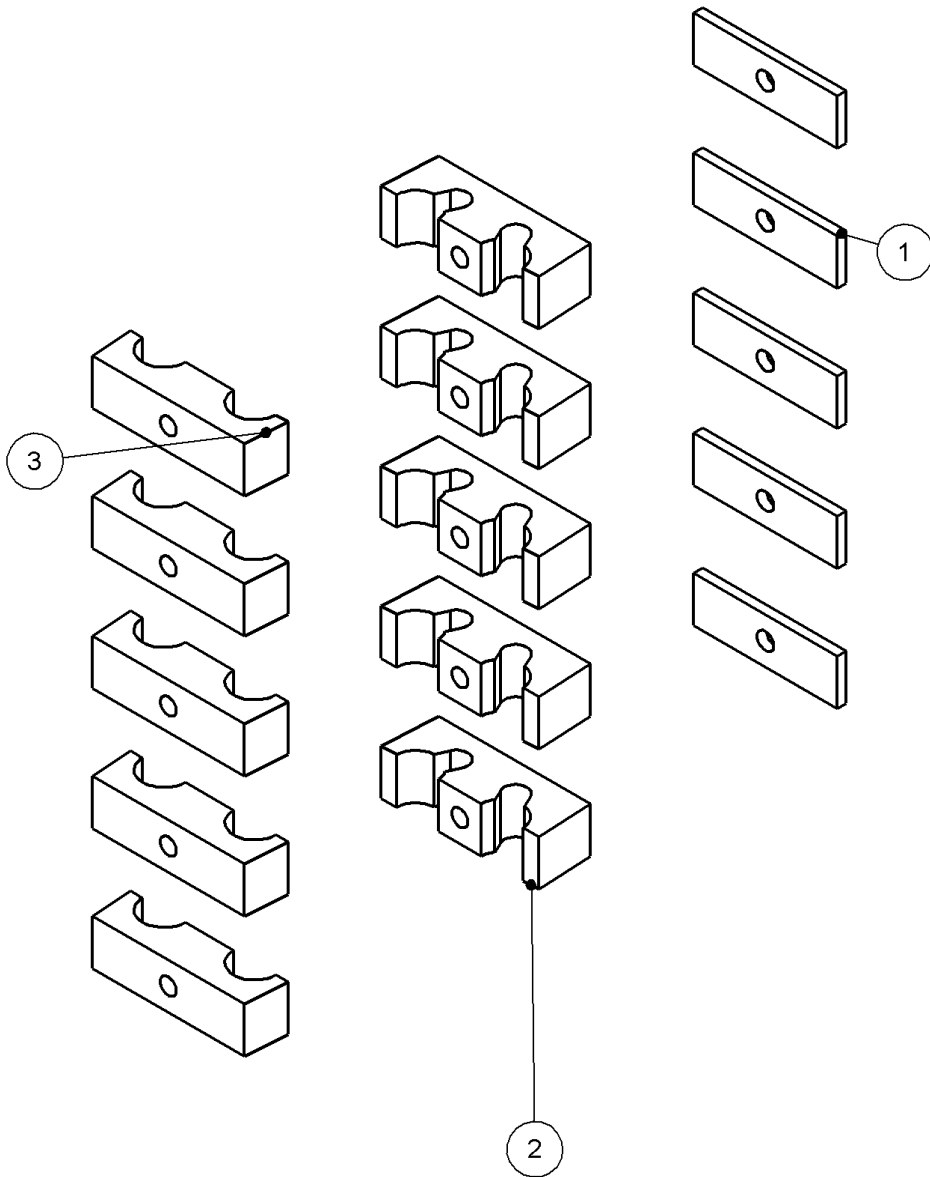
77.317.01 REV : A



ITEM NO.	PART NUMBER	DESCRIPTION	QTY.
1	46963.01	LINK - HARRIER 5.0 PARALLEL	1
2	08.297.05	BUSH 42x35x30	4
3	05.953.03	GREASE NIPPLE M10xStr	2

HOSE CLAMPS HARRIER 70L

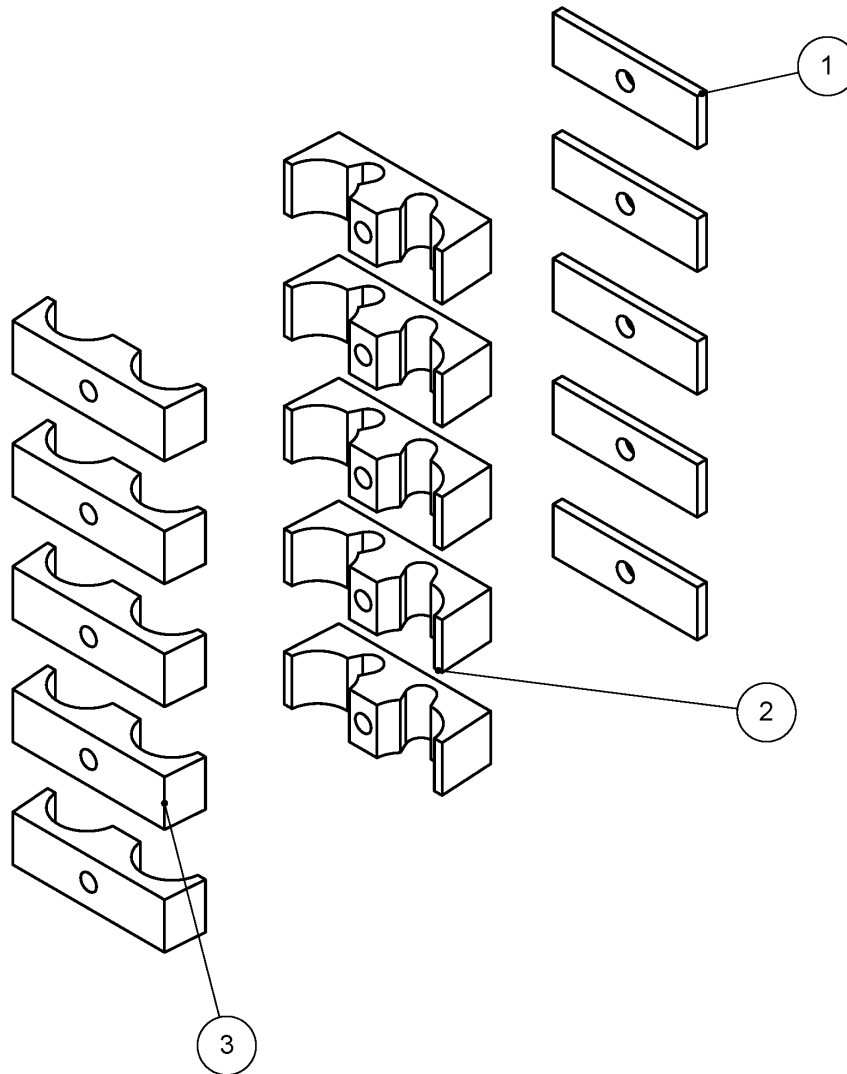
77.336.01 REV : A



ITEM NO.	PART NUMBER	DESCRIPTION	QTY.
1	06.418.05	CLAMP PLATE 95 x 6	5
2	06.430.20A	HOSE CLAMP LOWER	5
3	06.430.15	HOSE CLAMP UPPER	5

HOSE CLAMPS HARRIER 84L

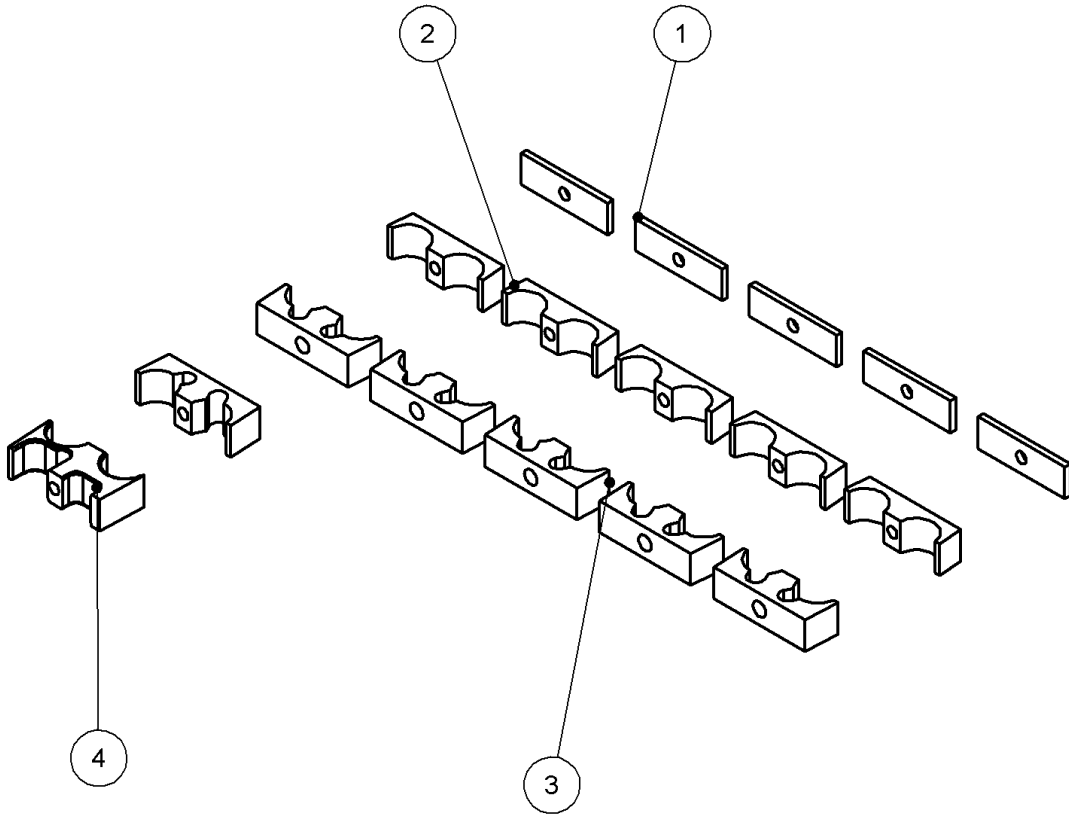
77.337.01 REV : A



ITEM NO.	PART NUMBER	DESCRIPTION	QTY.
1	06.418.05	CLAMP PLATE 95 x 6	5
2	45630.01	HOSE CLAMP-PLASTIC	5
3	30.217.76	30.217.76	5

HOSE CLAMPS 84L NON PAR

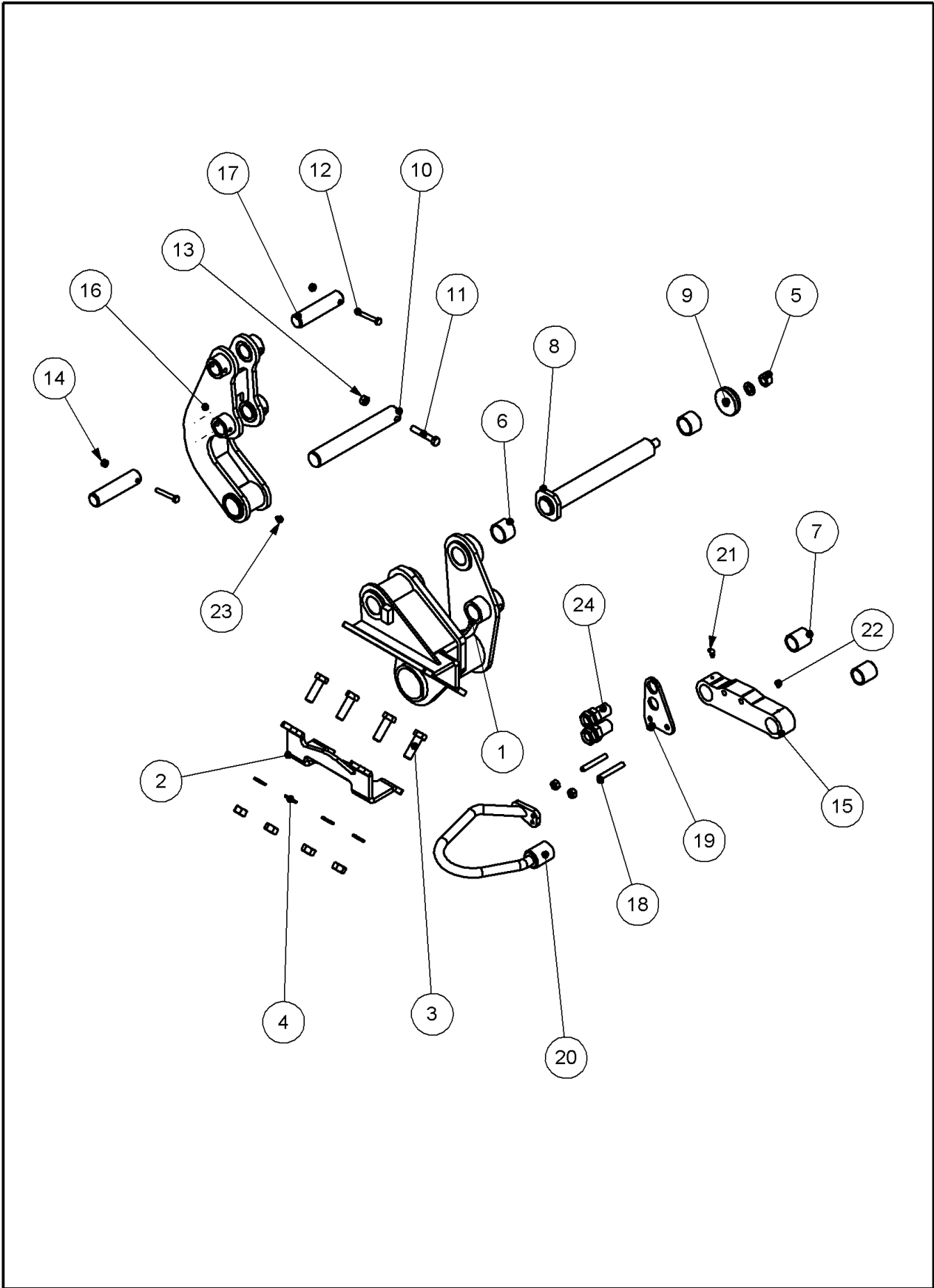
77.370.01 REV : A



ITEM NO.	PART NUMBER	DESCRIPTION	QTY.
1	06.418.05	CLAMP PLATE 95 x 6	5
2	30.217.76	30.217.76	5
3	45630.01	HOSE CLAMP-PLASTIC	6
4	06.430.18	HOSE CLAMP - LOWER	1

COWL BRKT ASSY HARRIER 70L LH

77.339.01 REV : A



## COWL BRKT ASSY HARRIER 70L LH

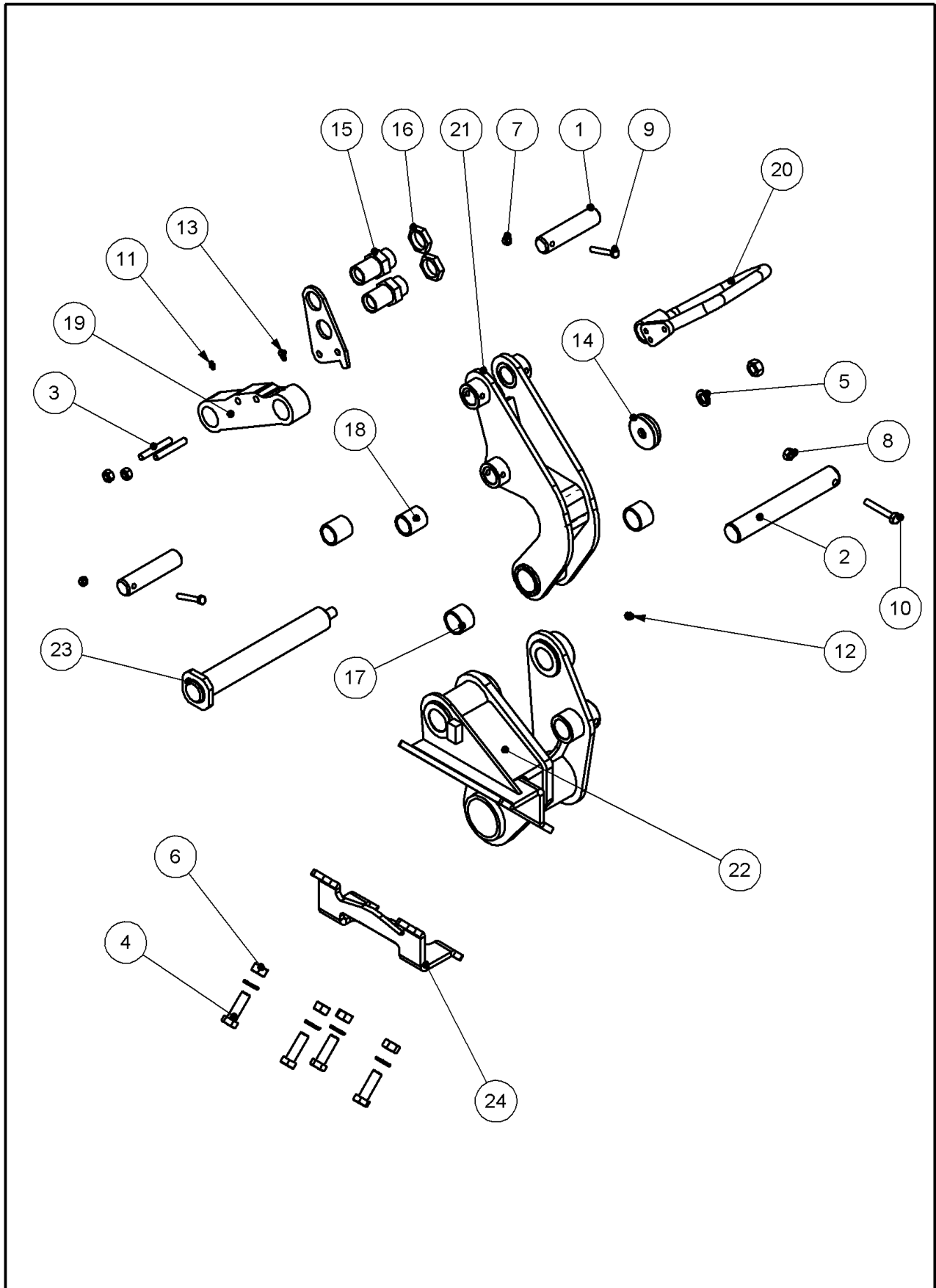
77.339.01 REV : A

## COWL BRKT ASSY HARRIER 70L LH

ITEM NO.	PART NUMBER	DESCRIPTION	QTY.
1	46250.01	BRACKET - COWL LH	1
2	46273.01	CLAMPING PLATE	1
3	05.264.37	SETSCREW M16x50	4
4	05.282.04	SPRING WASHER M16	5
5	05.286.04	NUT M16	5
6	08.297.05	BUSH 42x35x30	2
7	08.297.10	BUSH 37x30x40	2
8	46251.01	PIN COWL PIVOT 40 DIA.	1
9	07.942.03	SPECIAL WASHER - M16	1
10	03.655.63	PIN - 35 DIA. x 240	1
11	05.291.18	BOLT M10x65	1
12	05.291.06	BOLT M8x55	2
13	05.287.02	SELF-LOCKING NUT M10	3
14	05.287.01	SELF-LOCKING NUT M8	2
15	45950.01	LINK - COWL	1
16	46090.01	LINK - COWL	1
17	03.654.59	PIN 30 DIA X 128	2
18	04.282.76	STUD M10X70	2
19	45491.04	PLATE 6MM-BULKHEAD 3/4" BSP	1
20	45954.01	GUARD - BULKHEAD	1
21	05.953.05	GREASE NIPPLE M6x90 deg	1
22	05.953.01	GREASE NIPPLE M6xStr	1
23	05.953.03	GREASE NIPPLE M10xStr	1
24	08.128.08	ADPR BULKHD 3/4"BSP C/W LNUT	2

COWL BRKT ASSY LH

77.182.01 REV : B





## COWL BRKT ASSY LH

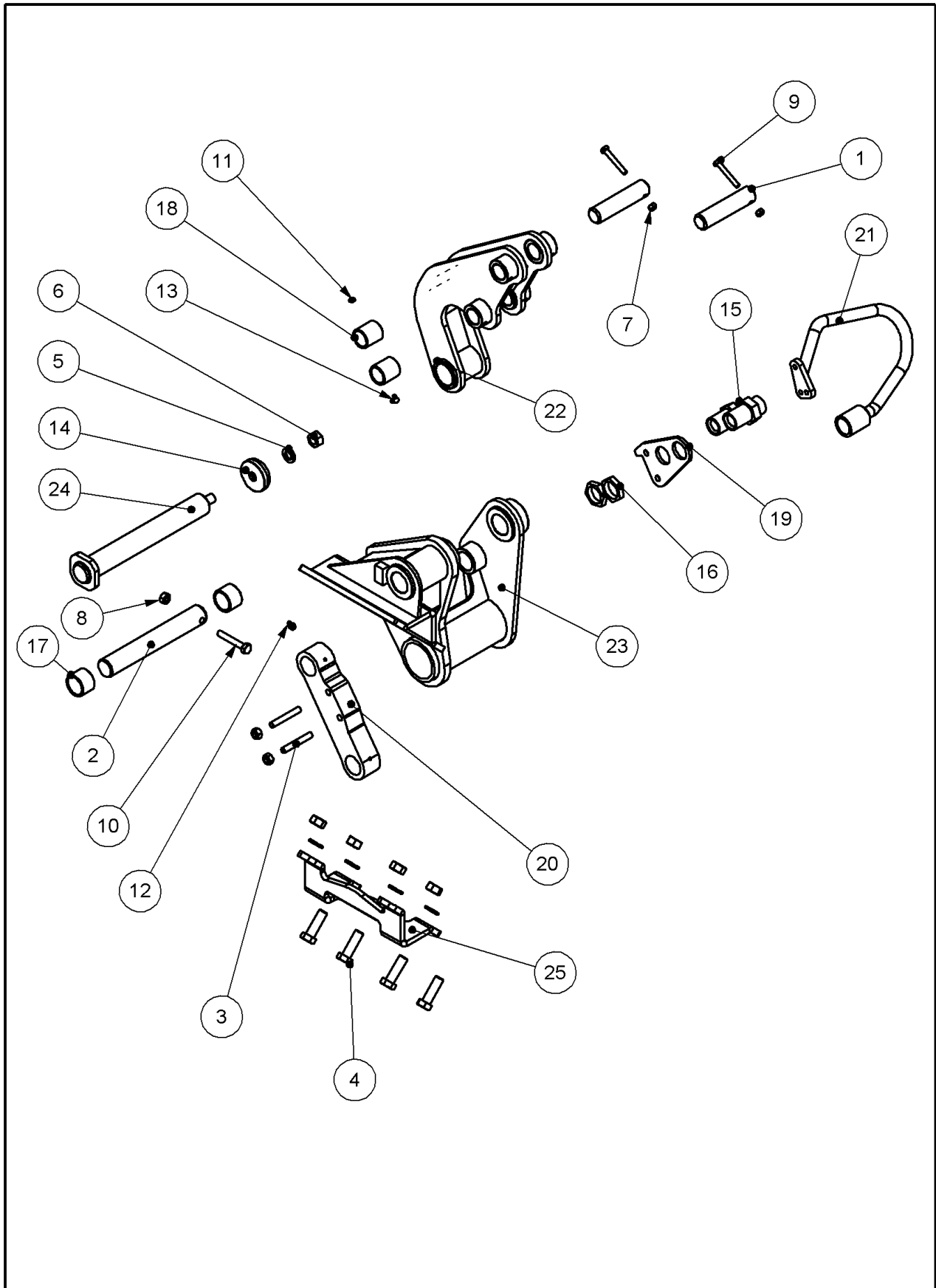
77.182.01 REV : B

## COWL BRACKET ASSY LH HAWK - 77.182.01

ITEM NO.	PART NUMBER	DESCRIPTION	QTY.
1	03.654.59	PIN 30 DIA X 128	2
2	03.655.63	PIN - 35 DIA. x 240	1
3	04.282.76	STUD M10X70	2
4	05.264.37	SETSCREW M16x50	4
5	05.282.04	SPRING WASHER M16	5
6	05.286.04	NUT M16	5
7	05.287.01	SELF-LOCKING NUT M8	2
8	05.287.02	SELF-LOCKING NUT M10	3
9	05.291.06	BOLT M8x55	2
10	05.291.18	BOLT M10x65	1
11	05.953.01	GREASE NIPPLE M6xStr	1
12	05.953.03	GREASE NIPPLE M10xStr	1
13	05.953.05	GREASE NIPPLE M6x90 deg	1
14	07.942.03	SPECIAL WASHER - M16	1
15	08.128.03-32		2
16	08.128.03-31	NUT 1" BSP THIN	2
17	08.297.05	BUSH 42x35x30	2
18	08.297.10	BUSH 37x30x40	2
19	45491.01	PLATE	1
20	45950.01	LINK - COWL	1
21	45954.01	GUARD - BULKHEAD	1
22	46090.01	LINK - COWL	1
23	46250.01	BRACKET - COWL LH	1
24	46251.01	PIN COWL PIVOT 40 DIA.	1
25	46273.01	CLAMPING PLATE	1

COWL BRKT ASSY RH

77.182.02 REV : B



## COWL BRKT ASSY RH

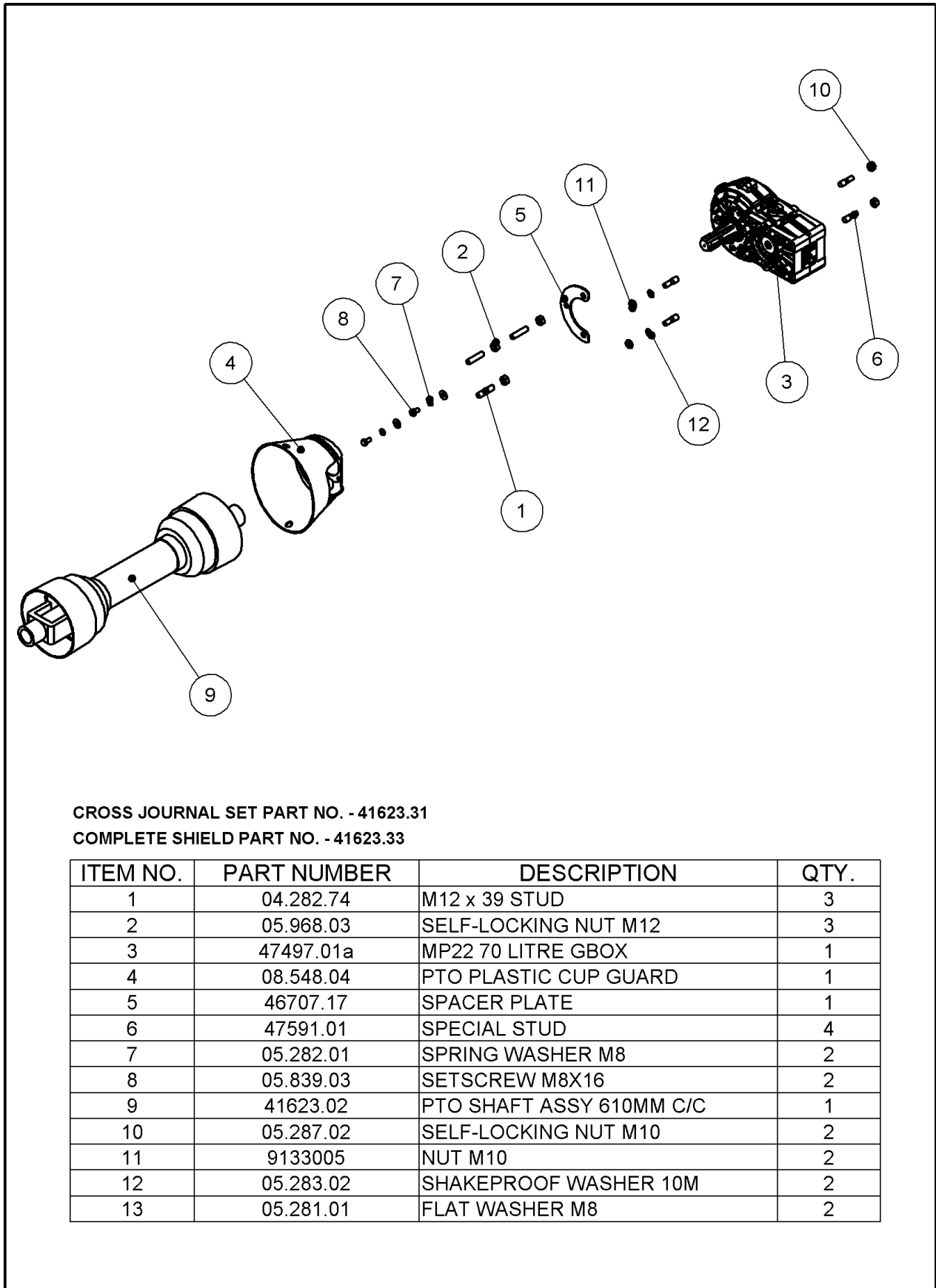
77.182.02 REV : B

## COWL BRACKET ASSY RH HAWK - 77.182.02

ITEM NO.	PART NUMBER	DESCRIPTION	QTY.
1	03.654.59	PIN 30 DIA X 128	2
2	03.655.63	PIN - 35 DIA. x 240	1
3	04.282.76	STUD M10X70	2
4	05.264.37	SETSCREW M16x50	4
5	05.282.04	SPRING WASHER M16	5
6	05.286.04	NUT M16	5
7	05.287.01	SELF-LOCKING NUT M8	2
8	05.287.02	SELF-LOCKING NUT M10	3
9	05.291.06	BOLT M8x55	2
10	05.291.18	BOLT M10x65	1
11	05.953.01	GREASE NIPPLE M6xStr	1
12	05.953.03	GREASE NIPPLE M10xStr	1
13	05.953.05	GREASE NIPPLE M6x90 deg	1
14	07.942.03	SPECIAL WASHER - M16	1
15	08.128.03-32		2
16	08.128.03-31	NUT 1" BSP THIN	2
17	08.297.05	BUSH 42x35x30	2
18	08.297.10	BUSH 37x30x40	2
19	45491.01	PLATE	1
20	45950.01	LINK - COWL	1
21	45954.01	GUARD - BULKHEAD	1
22	46090.01	LINK - COWL	1
23	46250.02	BRACKET - COWL RH	1
24	46251.01	PIN COWL PIVOT 40 DIA.	1
25	46273.01	CLAMPING PLATE	1

PTO/GEARBOX ASSEMBLY

76.467.01 REV : A



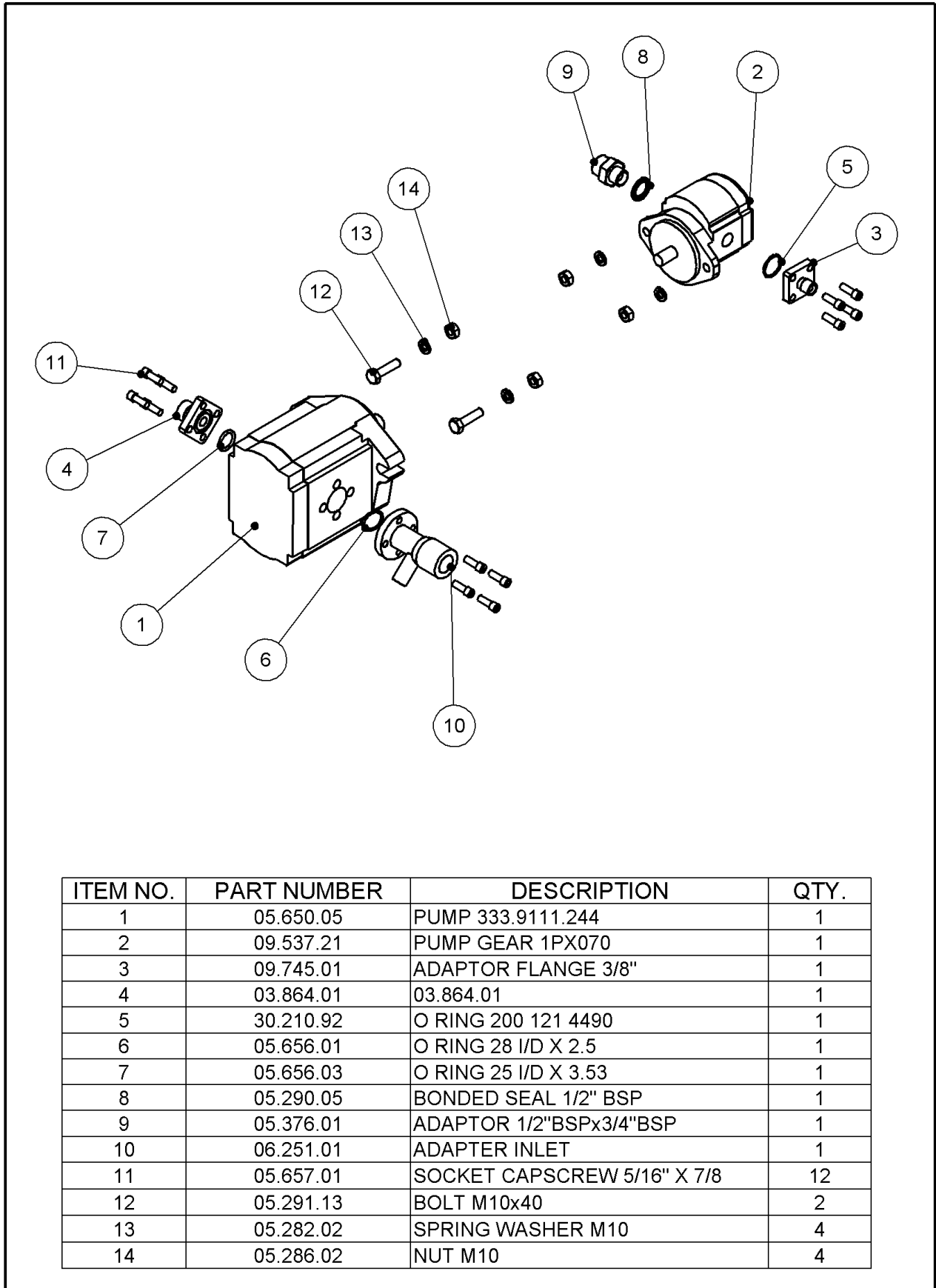
CROSS JOURNAL SET PART NO. - 41623.31

COMPLETE SHIELD PART NO. - 41623.33

ITEM NO.	PART NUMBER	DESCRIPTION	QTY.
1	04.282.74	M12 x 39 STUD	3
2	05.968.03	SELF-LOCKING NUT M12	3
3	47497.01a	MP22 70 LITRE GBOX	1
4	08.548.04	PTO PLASTIC CUP GUARD	1
5	46707.17	SPACER PLATE	1
6	47591.01	SPECIAL STUD	4
7	05.282.01	SPRING WASHER M8	2
8	05.839.03	SETSCREW M8X16	2
9	41623.02	PTO SHAFT ASSY 610MM C/C	1
10	05.287.02	SELF-LOCKING NUT M10	2
11	9133005	NUT M10	2
12	05.283.02	SHAKEPROOF WASHER 10M	2
13	05.281.01	FLAT WASHER M8	2

PUMPS ASSEMBLY LH

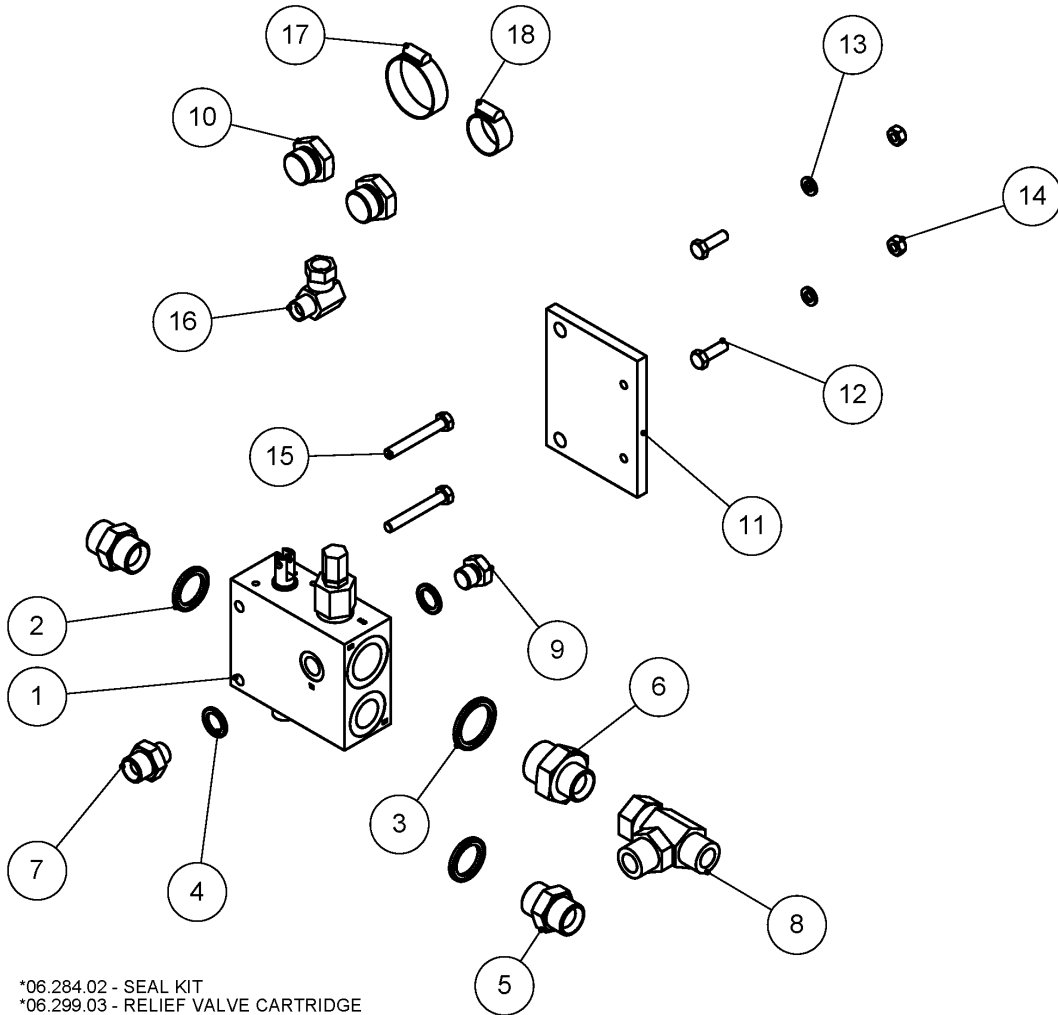
76.474.04 REV : A



ITEM NO.	PART NUMBER	DESCRIPTION	QTY.
1	05.650.05	PUMP 333.9111.244	1
2	09.537.21	PUMP GEAR 1PX070	1
3	09.745.01	ADAPTOR FLANGE 3/8"	1
4	03.864.01	03.864.01	1
5	30.210.92	O RING 200 121 4490	1
6	05.656.01	O RING 28 I/D X 2.5	1
7	05.656.03	O RING 25 I/D X 3.53	1
8	05.290.05	BONDED SEAL 1/2" BSP	1
9	05.376.01	ADAPTOR 1/2"BSPx3/4"BSP	1
10	06.251.01	ADAPTER INLET	1
11	05.657.01	SOCKET CAPSCREW 5/16" X 7/8	12
12	05.291.13	BOLT M10x40	2
13	05.282.02	SPRING WASHER M10	4
14	05.286.02	NUT M10	4

PUMP CIRCUIT NON/SLEW 70L

77.350.01 REV : A

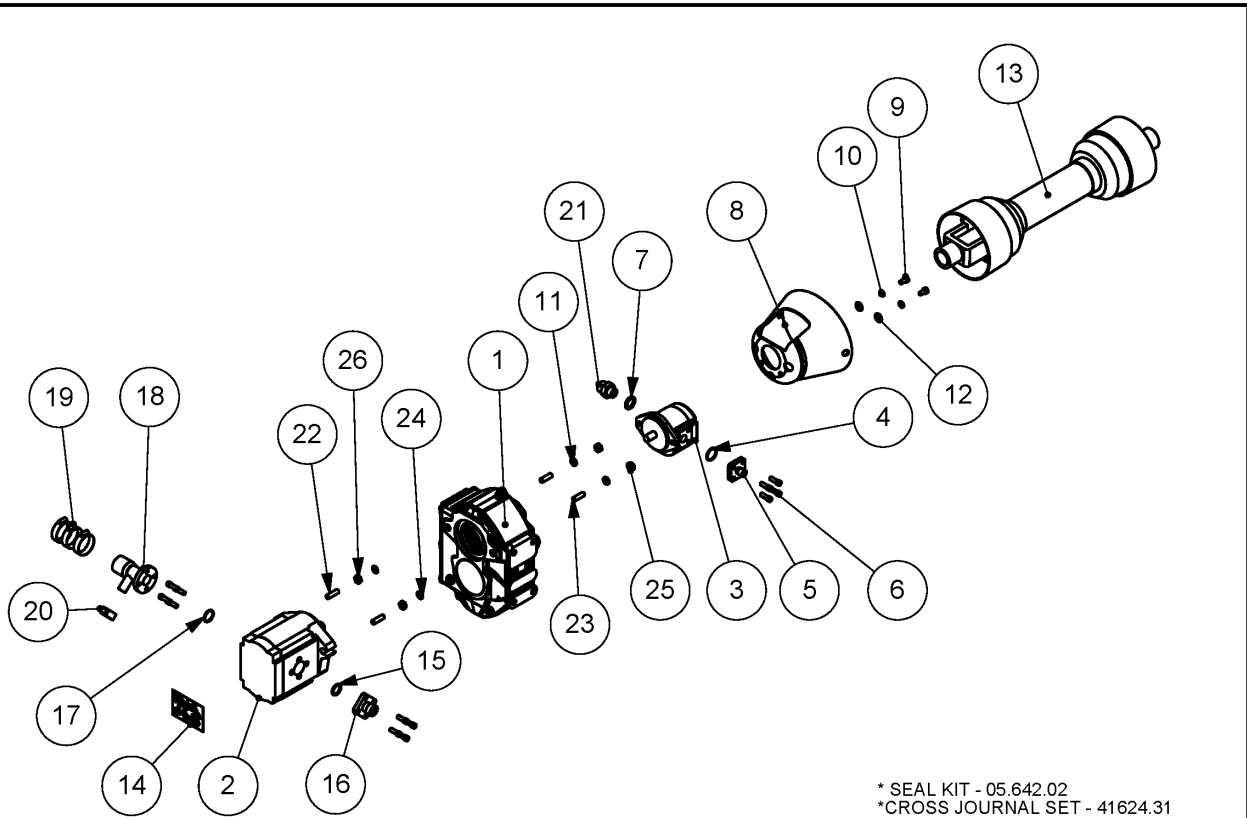


\*06.284.02 - SEAL KIT  
 \*06.299.03 - RELIEF VALVE CARTRIDGE

ITEM NO.	PART NUMBER	DESCRIPTION	QTY.
1	06.284.16	DIVERTOR / RELIEF ASSY 209 BAR	1
2	05.290.06	BONDED SEAL 3/4" BSP	2
3	05.290.07	BONDED SEAL 1" BSP	1
4	05.290.04	BONDED SEAL 3/8" BSP	2
5	05.377.01	ADAPTOR 3/4"BSPx3/4"BSP	2
6	05.373.01	ADAPTOR 3/4"BSPx1"BSP	1
7	05.123.01	ADAPTOR 3/8"BSPx1/2"BSP	1
8	04.056.01	3/4" BSP TEE FMM	1
9	05.433.01	PLUG 3/8"BSP	1
10	05.313.01	PLUG 3/4" BSP	2
11	46058.01	PLATE - VALVE MOUNTING	1
12	05.264.02	SETSCREW M8x25	2
13	05.282.01	SPRING WASHER M8	2
14	05.287.01	SELF-LOCKING NUT M8	2
15	05.291.07	BOLT M8x60	2
16	05.835.01	90 ADAPTOR M/F SWIVEL	1
17	05.863.02	JUBILEE CLIP 2"DIA	3
18	05.863.03	JUBILEE CLIP 20-32 DIA	1

PTO/GEARBOX/PUMP CABLE

77.303.01 REV : A

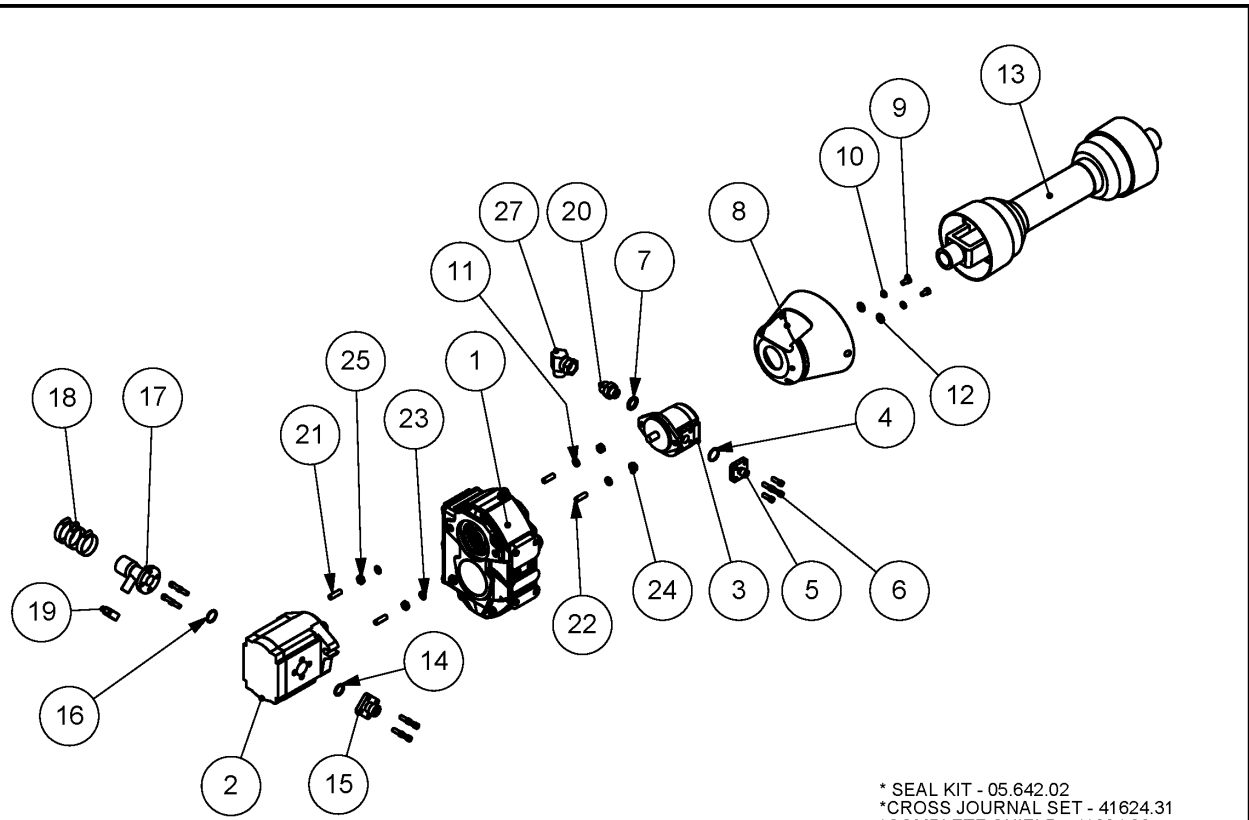


\* SEAL KIT - 05.642.02  
 \*CROSS JOURNAL SET - 41624.31  
 \*COMPLETE SHIELD - 41624.32

ITEM NO.	PART NUMBER	DESCRIPTION	QTY.
1	47487.04	GEARBOX 3.6 : 1	1
2	05.650.05	PUMP 333.9111.244	1
3	09.537.21	PUMP GEAR 1PX070	1
4	30.210.92	O RING 200-121-4490	1
5	09.745.01	ADAPTOR FLANGE 3/8"	1
6	05.657.01	SOCKET CAPSCREW 5/16" X 7/8	12
7	05.290.05	BONDED SEAL 1/2" BSP	1
8	08.548.03	PLASTIC PTO CUP	1
9	05.839.03	SETSCREW M8X16	2
10	05.282.01	SPRING WASHER M8	2
11	05.282.02	SPRING WASHER M10	2
12	05.281.01	FLAT WASHER M8	2
13	41624.01	PTO (560CC) T50 SERIES	1
14	46749.02	BIMA GBOX DECAL	1
15	05.656.03	O RING 25 I/D X 3.53	1
16	03.864.01	03.864.01	1
17	05.656.01	O RING 28 I/D X 2.5	1
18	06.251.01	ADAPTER INLET	1
19	05.863.02	JUBILEE CLIP 2"DIA	3
20	05.863.03	JUBILEE CLIP 20-32 DIA	1
21	05.376.01	ADAPTOR 1/2"BSPx3/4"BSP	1
22	03.100.01	STUD M10x34	2
23	03.100.02	STUD M10 X 32	2
24	05.283.02	SHAKEPROOF WASHER 10M	2
25	05.286.02	NUT M10	2
26	9133005	M10 THIN PLAIN NUT	4
27	05.968.03	SELF-LOCKING NUT M12	4

PTO/GEARBOX/PUMP CABLE RH

77.303.02 REV : A



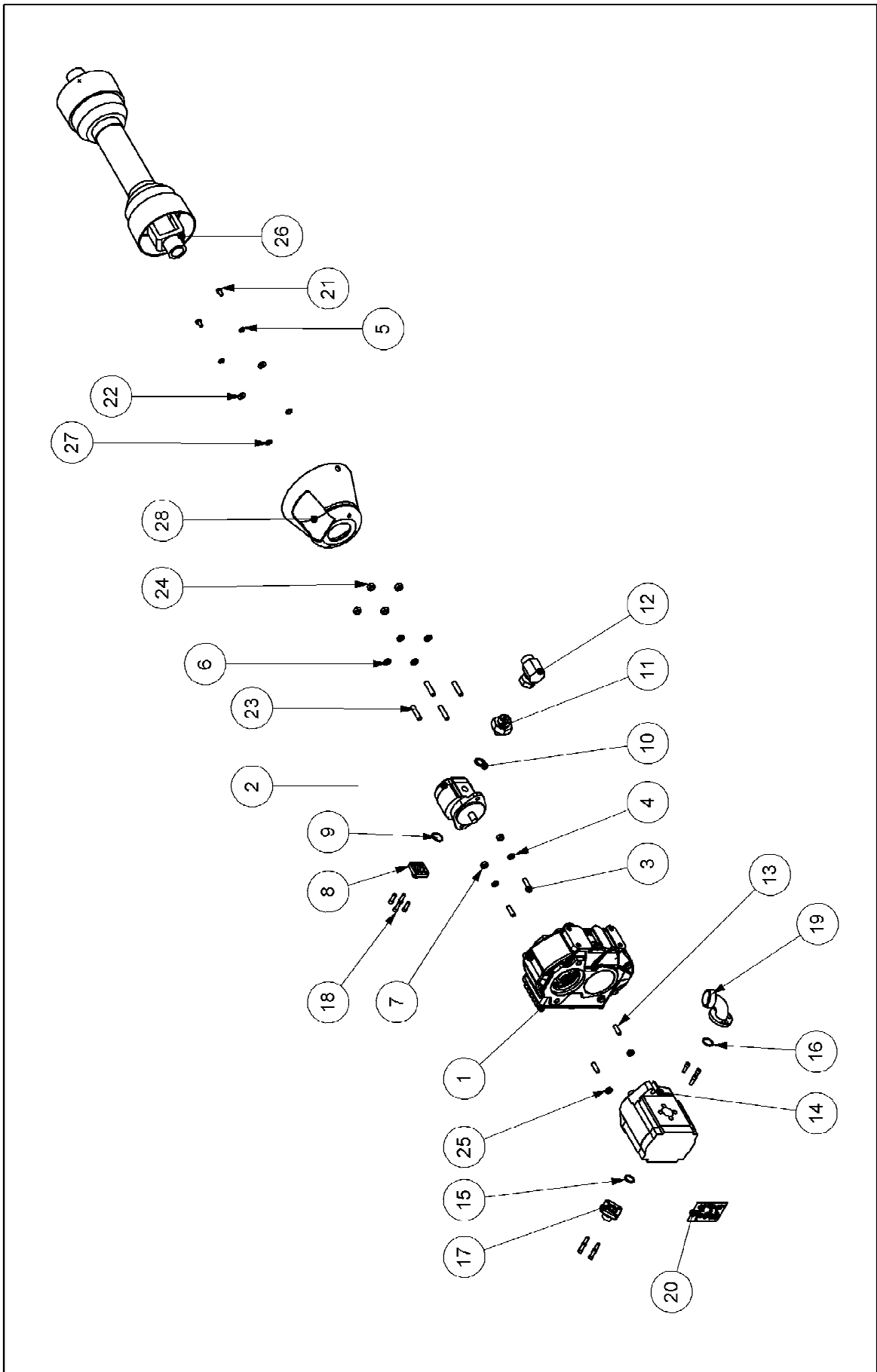
\* SEAL KIT - 05.642.02  
 \*CROSS JOURNAL SET - 41624.31  
 \*COMPLETE SHIELD - 41624.32

ITEM NO.	PART NUMBER	DESCRIPTION	QTY.
1	47487.04	GEARBOX 3.6 : 1	1
2	05.650.05	PUMP 333.9111.244	1
3	09.537.32	GEAR PUMP EX HANDLEY	1
4	30.210.92	O RING 200-121-4490	1
5	09.745.01	ADAPTOR FLANGE 3/8"	1
6	05.657.01	SOCKET CAPSCREW 5/16" X 7/8	12
7	05.290.05	BONDED SEAL 1/2" BSP	1
8	08.548.02	PLASTIC GUARD	1
9	05.839.03	SETSCREW M8X16	2
10	05.282.01	SPRING WASHER M8	2
11	05.282.02	SPRING WASHER M10	2
12	05.281.01	FLAT WASHER M8	2
13	41624.01	PTO (560CC) T50 SERIES	1
14	05.656.03	O RING 25 I/D X 3.53	1
15	03.864.01	03.864.01	1
16	05.656.01	O RING 28 I/D X 2.5	1
17	06.251.01	ADAPTER INLET	1
18	05.863.02	JUBILEE CLIP 2"DIA	3
19	05.863.03	JUBILEE CLIP 20-32 DIA	1
20	05.376.01	ADAPTOR 1/2"BSPx3/4"BSP	1
21	03.100.01	STUD M10x34	2
22	03.100.02	STUD M10 X 32	2
23	05.283.02	SHAKEPROOF WASHER 10M	2
24	05.286.02	NUT M10	2
25	9133005	M10 THIN PLAIN NUT	4
26	05.968.03	SELF-LOCKING NUT M12	4
27	05.835.03	90 ADAPTOR M/F SWIVEL	3



**This page is intentionally left blank.**

PTO/GEARBOX/PUMP CABLERH 10599  
77.211.12 REV: A



## PTO/GEARBOX/PUMP CABLERH 10599

77.211.12 REV : A

## PTO/G'BOX/PUMP ASSY CABLE RH 10599 - 77.211.12

ITEM NO.	PART NUMBER	DESCRIPTION	QTY.
1	47487.04	GEARBOX 3.6 : 1	1
2	09.537.21	PUMP GEAR 1PX070	1
3	03.100.01	STUD M10x34	2
4	05.282.02	SPRING WASHER M10	2
5	05.282.01	SPRING WASHER M8	2
6	05.282.03	SPRING WASHER M12	4
7	05.286.02	NUT M10	2
8	09.745.01	ADAPTOR FLANGE 3/8"	1
9	30.210.92	O RING 200-121-4490	1
10	05.290.05	BONDED SEAL 1/2" BSP	1
11	30.059.84	ADAPTOR	1
12	05.835.02	90 ADAPTOR M/F SWIVEL	1
13	03.100.02	STUD M10 X 32	2
14	05.650.05	PUMP 333.9111.244	1
15	05.656.03	O RING 25 I/D X 3.53	1
16	05.656.01	O RING 28 I/D X 2.5	1
17	03.864.01	03.864.01	1
18	05.657.01	SOCKET CAPSCREW 5/16" X 7/8	11
19	42588.02	ADAPTOR - FLANGED	1
20	46749.02	BIMA GBOX DECAL	1
21	05.839.03	SETSCREW M8X16	2
22	05.281.01	FLAT WASHER M8	2
23	04.282.74	M12 x 39 STUD	4
24	05.968.03	SELF-LOCKING NUT M12	4
25	9133005	M10 THIN PLAIN NUT	4
26	41624.01	PTO (560CC) T50 SERIES	1
27	05.283.02	SHAKEPROOF WASHER 10M	2
28	08.548.05	GUARD - PTO	1

\* 42693.21 - SEAL KIT FOR 42693.04 GEARBOX

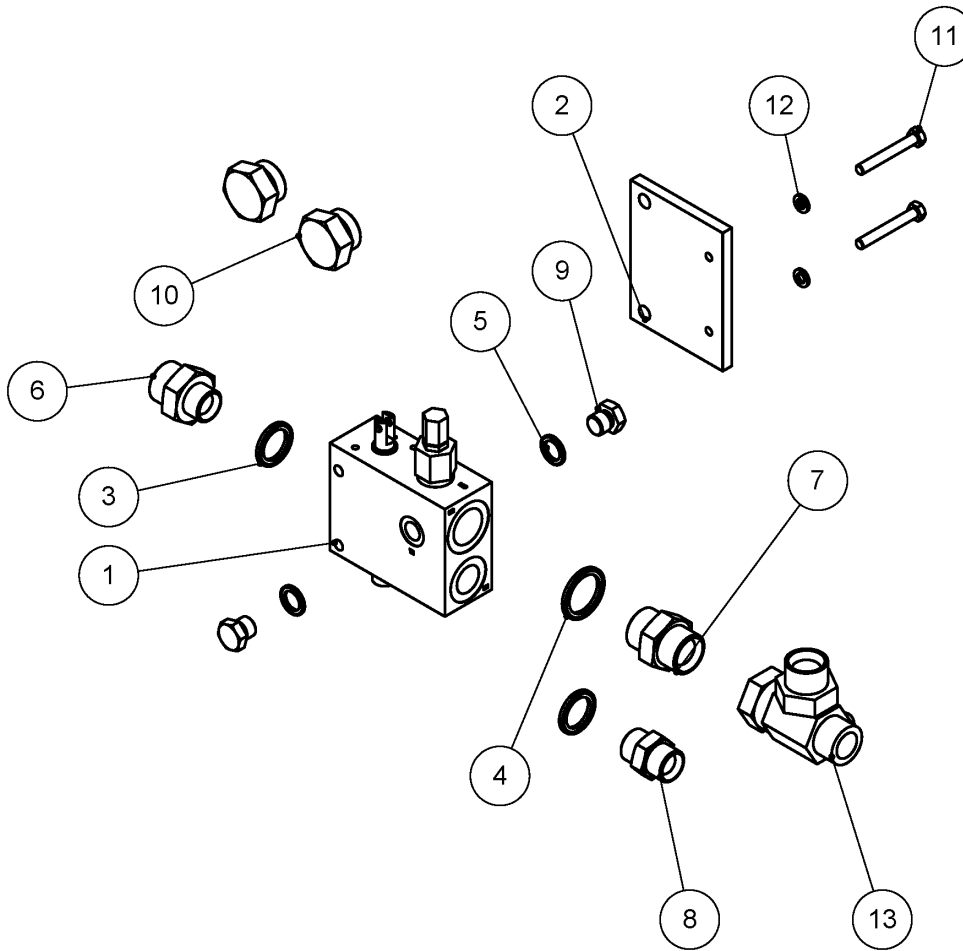
\* 46078.02 - SEAL SET FOR 46078.01

\* 09.537.25 - SEAL KIT FOR PUMP 09.537.01

\* 05.642.02 - SEAL KIT FOR PUMP 05.650.05

PUMP CIRCUIT CABLE

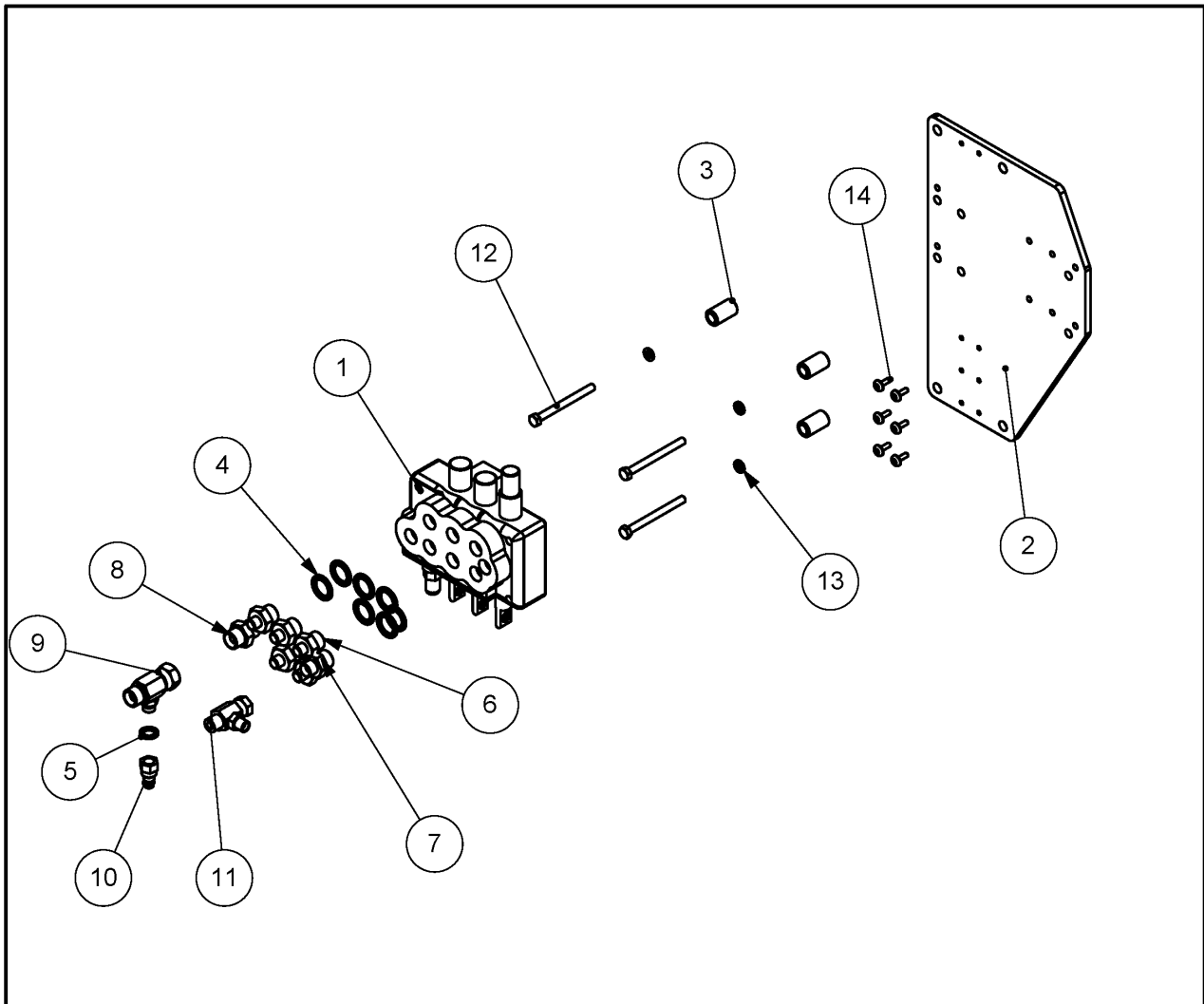
77.126.18 REV : A



ITEM NO.	PART NUMBER	DESCRIPTION	QTY.
1	06.284.16	DIVERTOR / RELIEF ASSY 209 BAR	1
2	46058.01	PLATE - VALVE MOUNTING	1
3	05.290.06	BONDED SEAL 3/4" BSP	2
4	05.290.07	BONDED SEAL 1" BSP	1
5	05.290.04	BONDED SEAL 3/8" BSP	2
6	05.373.01	ADAPTOR 3/4"BSPx1"BSP	1
7	05.434.01	ADAPTOR 1"BSPx1"BSP	1
8	05.377.01	ADAPTOR 3/4"BSPx3/4"BSP	1
9	05.433.01	PLUG 3/8"BSP	2
10	05.433.03	PLUG 1" BSP	2
11	05.291.07	BOLT M8x60	2
12	05.282.01	SPRING WASHER M8	2
13	04.056.02	ADAPTOR	1

CONTROL VALVE ASSY 3 SERV

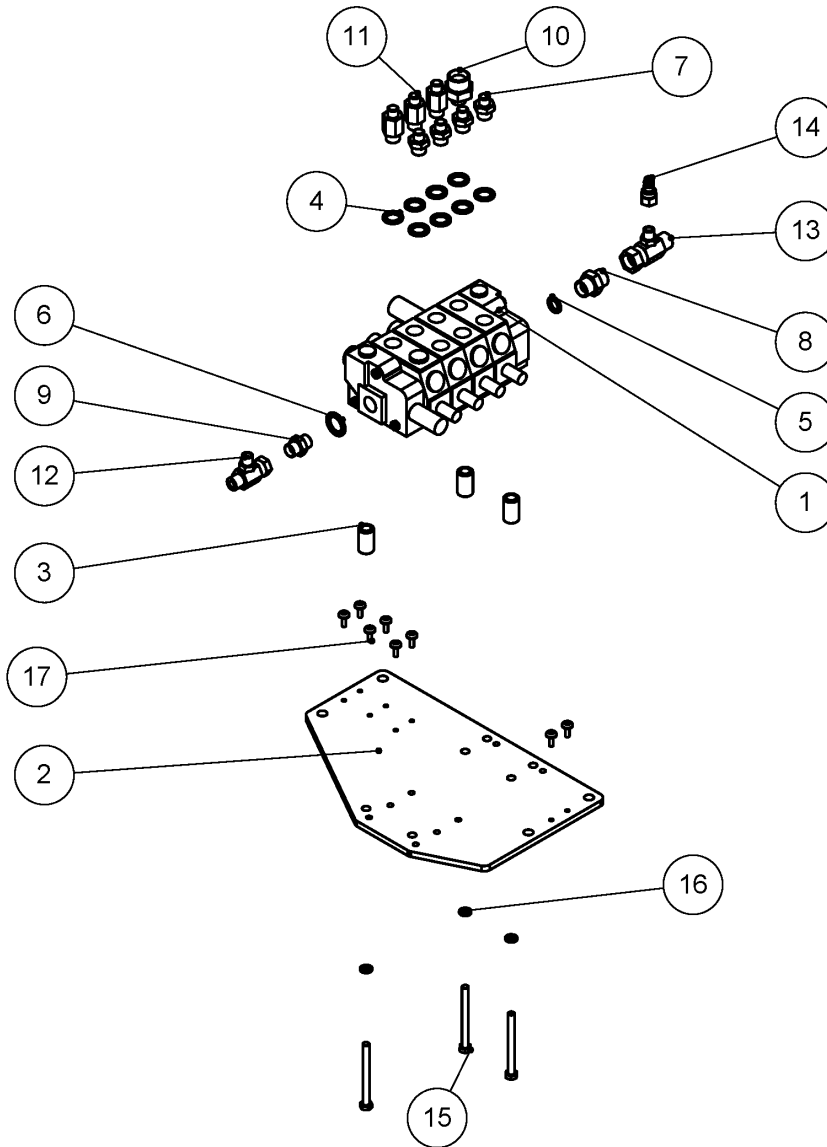
77.304.01 REV : A



ITEM NO.	PART NUMBER	DESCRIPTION	QTY.
1	48000.15	WALVOIL 3 SERVICE CABLE VALVE	1
2	46924.32	VALVE MTG PLATE - 8MM	1
3	46924.31	SPACER	3
4	05.290.05	BONDED SEAL 1/2" BSP	7
5	05.290.02	BONDED SEAL 1/4" BSP	1
6	01.099.03	ADAPTOR 1/4"BSPx1/2"BSP	5
7	05.123.01	ADAPTOR 3/8"BSPx1/2"BSP	1
8	05.122.01	ADAPTOR 1/2"BSPx1/2"BSP	1
9	04.056.25	ADAPTOR TEE 1/2BSPMF+1/4M	1
10	05.146.12	COUPLING - QUIK 1/4	1
11	04.056.16	TEE ADAPTOR FMM	1
12	05.292.02	BOLT M8x90	3
13	05.282.01	SPRING WASHER M8	3
14	05.625.39	SKT CAPSCREW M5 X 16	6

CONTROL VALVE ASSY 4 SERV

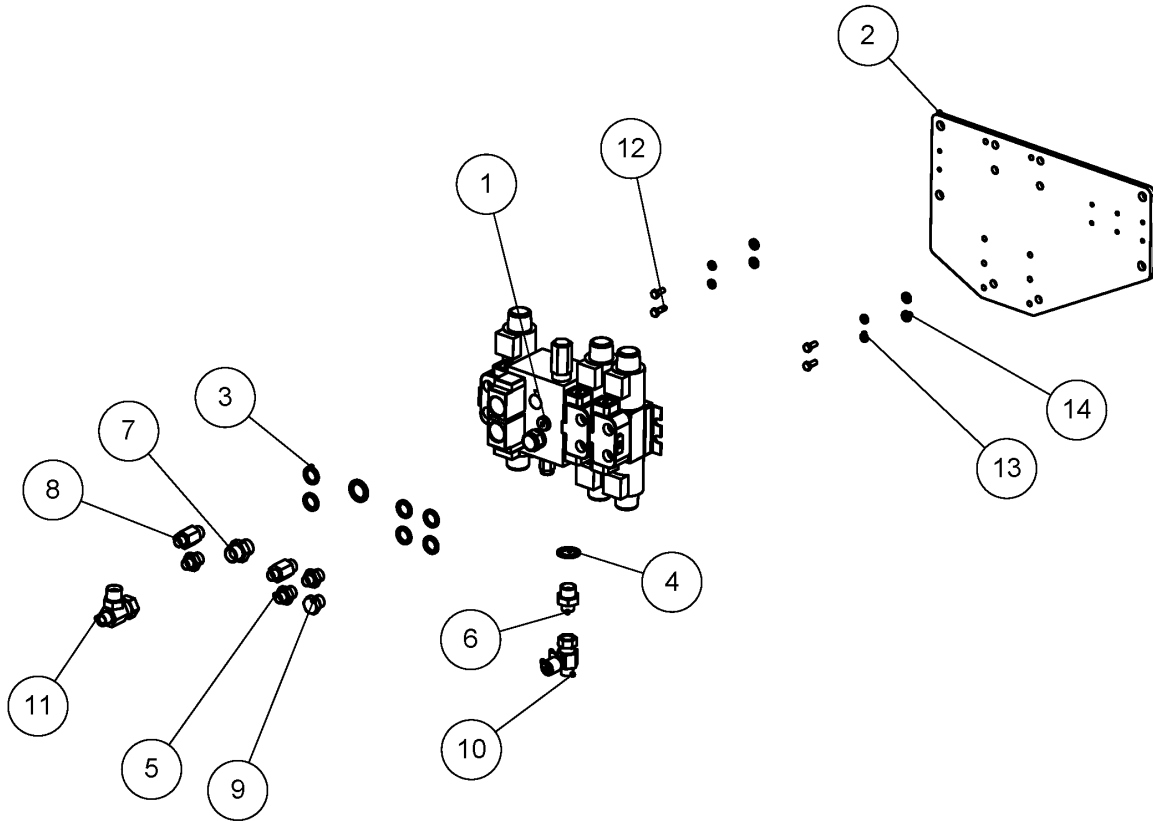
77.359.01 REV : A



ITEM NO.	PART NUMBER	DESCRIPTION	QTY.
1	47745.01	VALVE SD6 4 SECTION	1
2	46924.32	VALVE MTG PLATE - 8MM	1
3	46924.31	SPACER	3
4	05.290.04	BONDED SEAL 3/8" BSP	8
5	05.290.02	BONDED SEAL 1/4" BSP	1
6	05.290.05	BONDED SEAL 1/2" BSP	1
7	01.099.01	ADAPTOR 1/4"BSPx3/8"BSP	4
8	05.122.01	ADAPTOR 1/2"BSPx1/2"BSP	1
9	05.124.01	ADAPTOR 3/8"BSPx3/8"BSP	1
10	05.128.01	ADAPTOR 3/8"BSPx3/4"BSP	1
11	05.819.02	ADAPTOR 1/4"BSPx3/8"BSP	3
12	04.056.16	TEE ADAPTOR FMM	1
13	04.056.25	TEE ADAPTOR FMM	1
14	05.146.12	COUPLING - QUIK 1/4	1
15	05.292.02	BOLT M8x90	3
16	05.282.01	SPRING WASHER M8	3
17	05.625.39	SKT CAPSCREW M5 X 16	8

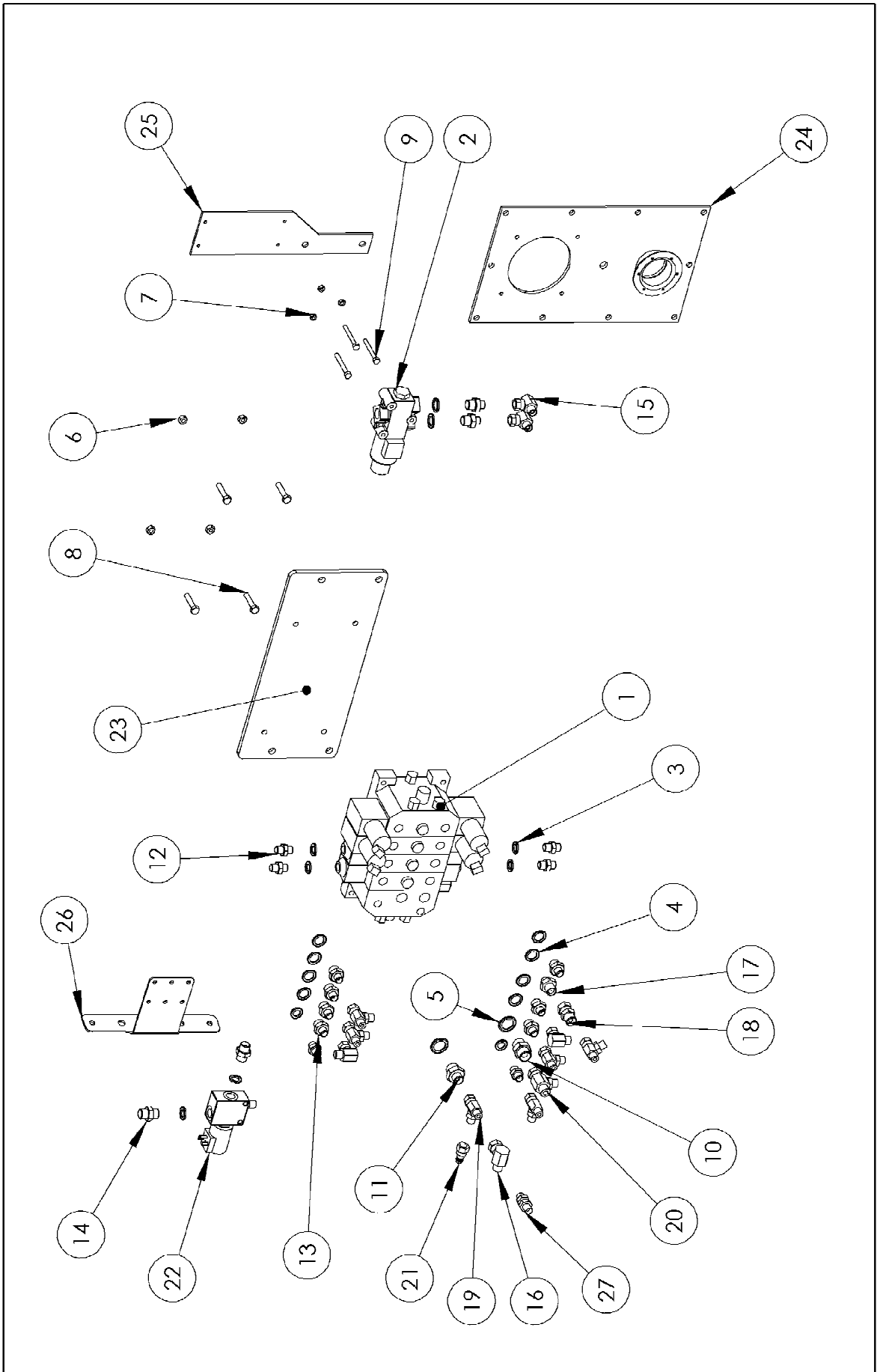
DMV VALVE ASSY

76.427.32 REV : A



ITEM NO.	PART NUMBER	DESCRIPTION	QTY.
1	46622.11	DMV 3 SERVICE VALVE	1
2	46924.32	VALVE MTG PLATE - 8MM	1
3	05.290.04	BONDED SEAL 3/8" BSP	6
4	05.290.05	BONDED SEAL 1/2" BSP	2
5	01.099.01	ADAPTOR 1/4"BSPx3/8"BSP	3
6	05.123.01	ADAPTOR 3/8"BSPx1/2"BSP	1
7	05.122.01	ADAPTOR 1/2"BSPx1/2"BSP	1
8	05.819.02	ADAPTOR 1/4"BSPx3/8"BSP	2
9	05.433.01	PLUG 3/8"BSP	1
10	8131004	TEST ADAPTOR 3/8"BSP M/F	1
11	04.056.49	TEE ADAPTOR 1/2"F X 1/2"M	1
12	05.839.05	SETSCREW M6 X 16	4
13	05.282.07	SPRING WASHER M6	4
14	05.281.10	FLAT WASHER M6	4

VALVE ASSY LOWPRESHYD  
77.455.01 REV: A





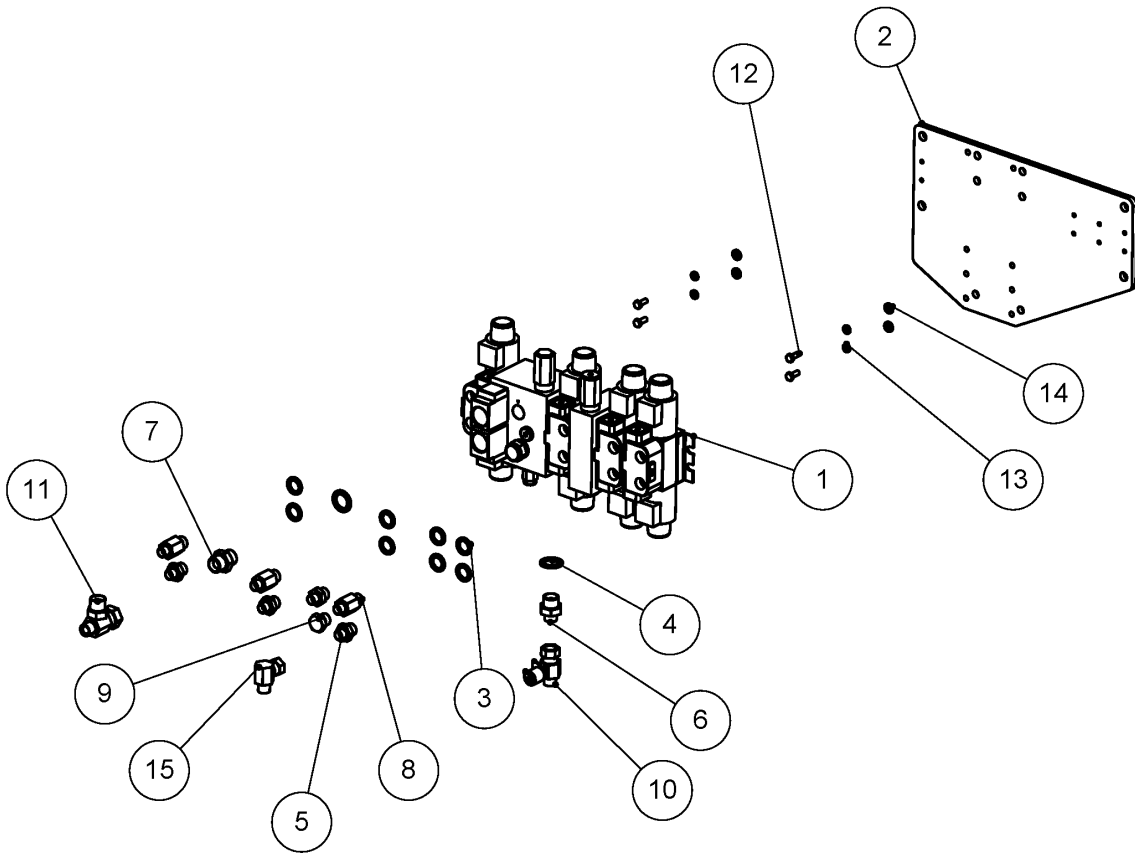
## VALVE ASSY LOWPRESHYD

77.455.01 REV : A

ITEM NO.	PART NUMBER	DESCRIPTION	QTY.
1	47645.01	LOW PRESSURE VALVE	1
2	199.334	3 WAY SOLENOID DIVERTER	1
3	05.290.02	BONDED SEAL 1/4" BSP	10
4	05.290.04	BONDED SEAL 3/8" BSP	10
5	05.290.05	BONDED SEAL 1/2" BSP	2
6	05.287.01	SELF-LOCKING NUT M8	4
7	30.070.64	SELF-LOCKING NUT M6	3
8	05.291.03	BOLT M8x40	4
9	30.068.90	M6 BOLTS	3
10	05.122.01	ADAPTOR 1/2"BSPx1/2"BSP	1
11	05.123.01	ADAPTOR 3/8"BSPx1/2"BSP	2
12	05.129.01	ADAPTOR 1/4"BSPx1/4"BSP	16
13	01.099.01	ADAPTOR 1/4"BSPx3/8"BSP	10
14	05.124.01	ADAPTOR 3/8"BSPx3/8"BSP	2
15	05.835.04	90 ADAPTOR M/F SWIVEL	4
16	05.835.01	90 ADAPTOR M/F SWIVEL	1
17	46518.14	RESTRICTOR	1
18	02.714.10	ADAPTOR - SWIVEL	1
19	04.056.10	TEE ADAPTOR FMM	6
20	04.056.16	TEE ADAPTOR FMM	1
21	05.146.12	COUPLING - QUIK 1/4	1
22	199.333	2 WAY DIVERTER VALVE	1
23	47627.01	PLATE VALVE MTG	1
24	47628.01	PLATE	1
25	47629.01	PLATE MOUNTING	1
26	47631.01	BRACKET	1
27	08.128.19	ADAPTOR 1/4"BSP BULKHEAD	1

DMV CONTROL VALVE ASSEMBLY

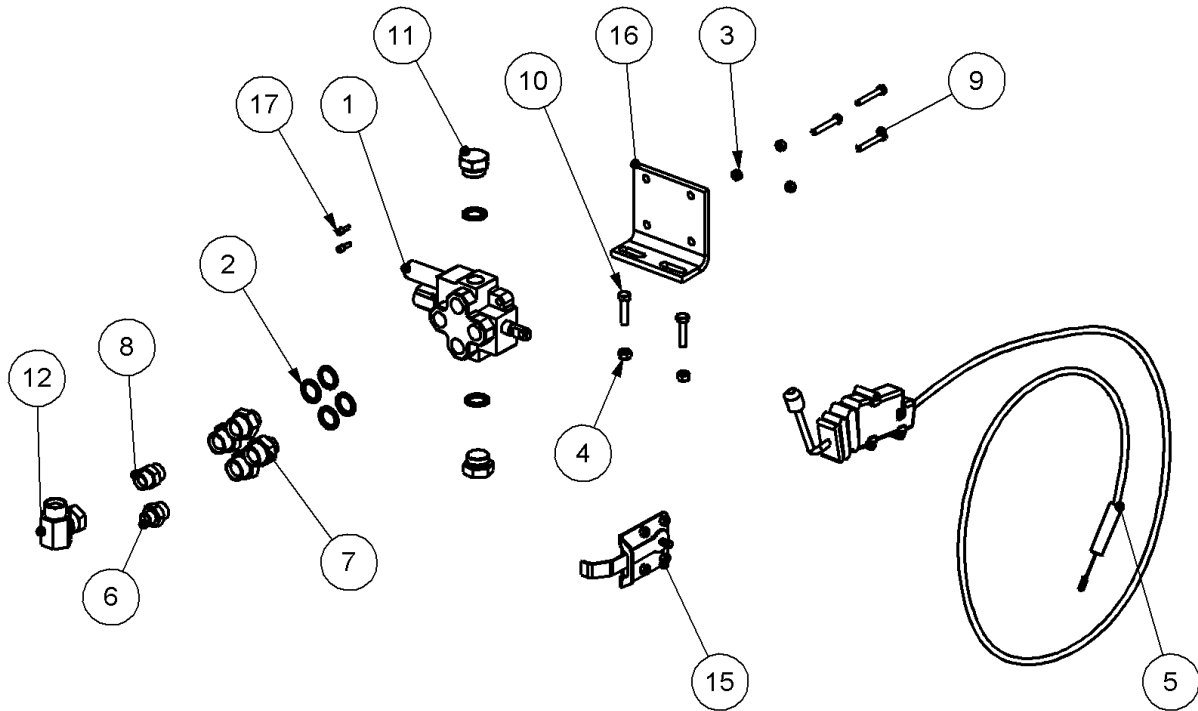
76.427.33 REV : A



ITEM NO.	PART NUMBER	DESCRIPTION	QTY.
1	46622.12	DMV VALVE 4 SERV	1
2	46924.32	VALVE MTG PLATE - 8MM	1
3	05.290.04	BONDED SEAL 3/8" BSP	8
4	05.290.05	BONDED SEAL 1/2" BSP	2
5	01.099.01	ADAPTOR 1/4"BSPx3/8"BSP	4
6	05.123.01	ADAPTOR 3/8"BSPx1/2"BSP	1
7	05.122.01	ADAPTOR 1/2"BSPx1/2"BSP	1
8	05.819.02	ADAPTOR 1/4"BSPx3/8"BSP	3
9	05.433.01	PLUG 3/8"BSP	1
10	8131004	TEST ADAPTOR 3/8"BSP M/F	1
11	04.056.49	TEE ADAPTOR 1/2"F X 1/2"M	1
12	05.839.05	SETSCREW M6 X 16	4
13	05.282.07	SPRING WASHER M6	4
14	05.281.10	FLAT WASHER M6	4
15	05.835.01	90 ADAPTOR M/F SWIVEL	1

CABLE DSR ASSY ECN 10743

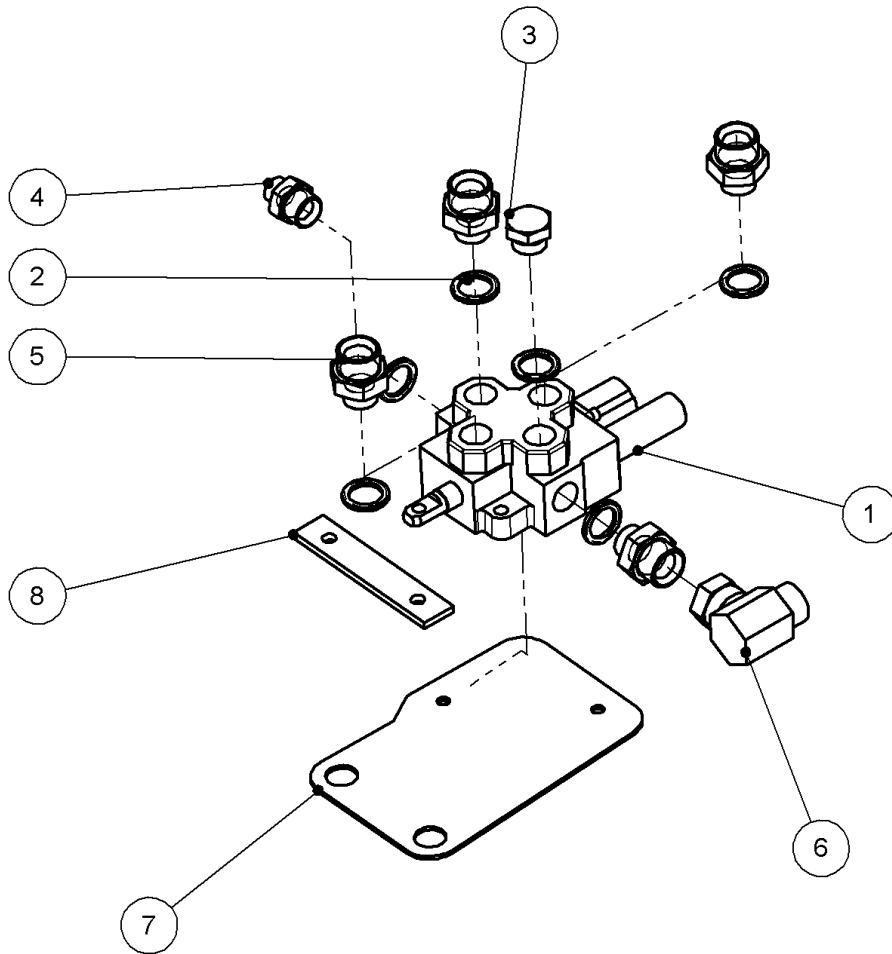
77.188.08 REV : A



ITEM NO.	PART NUMBER	DESCRIPTION	QTY.
1	48033.02	VALVE - ROTOR CONTROL DSR RH	1
2	05.290.06	BONDED SEAL 3/4" BSP	6
3	05.286.01	NUT M8	3
4	05.287.02	SELF-LOCKING NUT M10	2
5	04.265.94	R.C.ASSY4.0M SHT RED SD14 9069	1
6	05.376.01	ADAPTOR 1/2"BSPx3/4"BSP	1
7	05.373.01	ADAPTOR 3/4"BSPx1"BSP	4
8	05.377.01	ADAPTOR 3/4"BSPx3/4"BSP	1
9	05.291.06	BOLT M8x55	3
10	05.291.14	BOLT M10x45	2
11	05.433.03	PLUG 1" BSP	2
12	05.835.02	90 ADAPTOR M/F SWIVEL	1
13	06.820.02	DECAL-ROTOR SHAFT CONTROL	1
14	41.083.01	DECAL - ROTOR REVERSING	1
15	42511.01	LEVER BALKING ASSY	1
16	46095.01	PLATE - VALVE MOUNTING	1
17	9343033	M6 X 16 SOCKET HEAD	2

CABLE DSR ASSY LPH

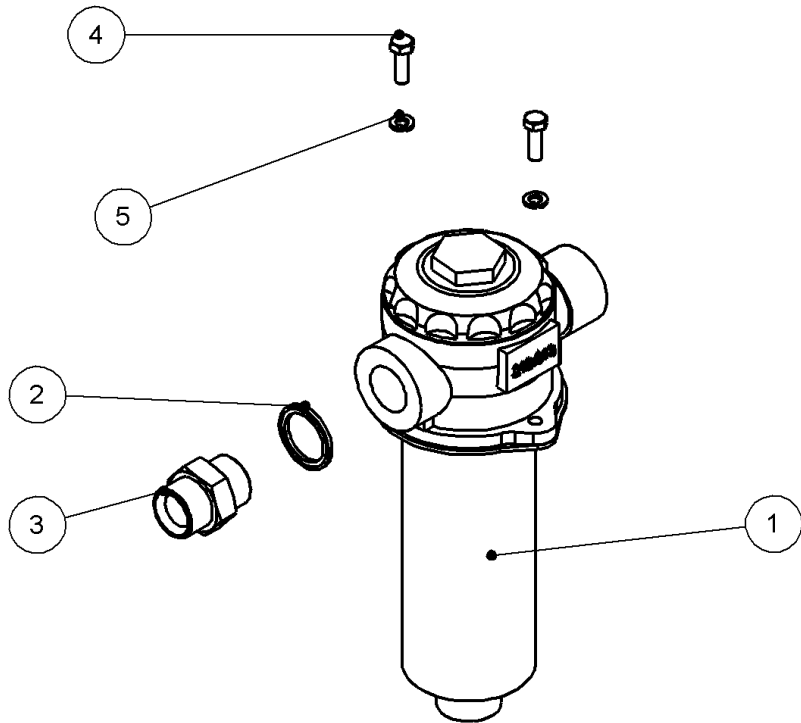
77.188.10 REV : A



ITEM NO.	PART NUMBER	DESCRIPTION	QTY.
1	8125385	RCV 207BAR LH	1
2	05.290.06	BONDED SEAL 3/4" BSP	6
3	05.313.01	PLUG 3/4" BSP	1
4	05.376.01	ADAPTOR 1/2"BSPx3/4"BSP	1
5	05.373.01	ADAPTOR 3/4"BSPx1"BSP	4
6	05.835.02	90 ADAPTOR M/F SWIVEL	1
7	47631.02	DSR BRACKET	1
8	46818.01	CLAMP - DSR PLATE	1

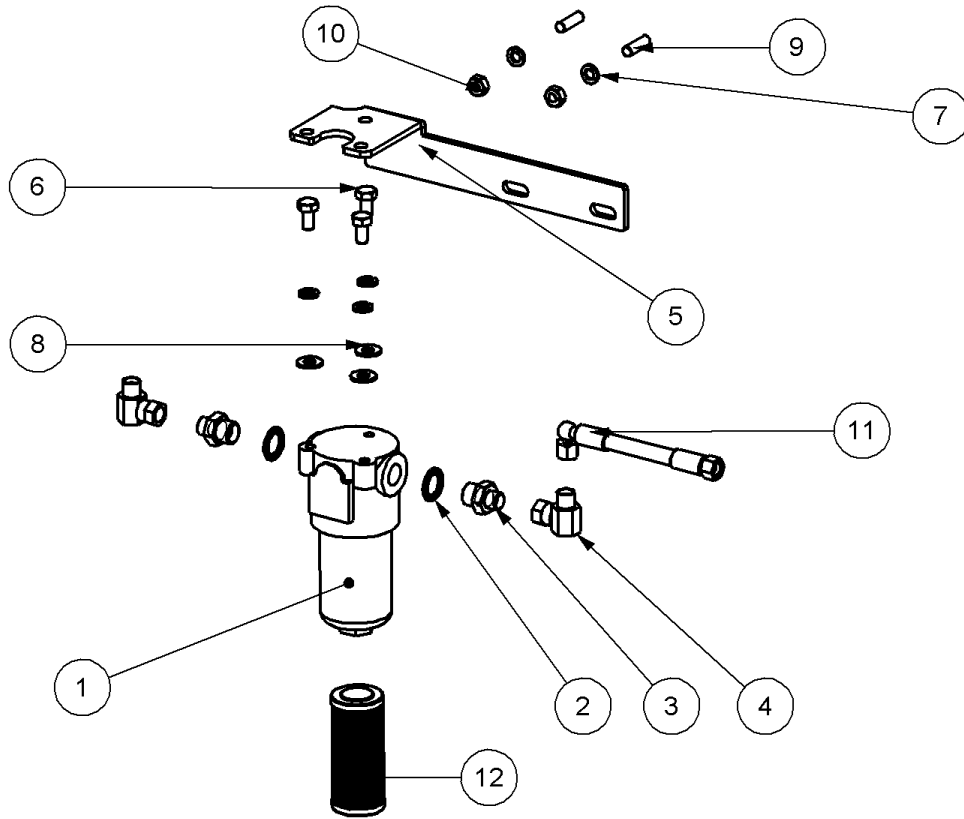
FILTER ASSEMBLY

74.803.03 REV : A



ITEM NO.	PART NUMBER	DESCRIPTION	QTY.
1	212.013	FILTER ASSY 100L	1
2	05.290.07	BONDED SEAL 1" BSP	1
3	05.434.01	ADAPTOR 1"BSPx1"BSP	1
4	05.264.02	SETSCREW M8x25	2
5	05.282.01	SPRING WASHER M8	2

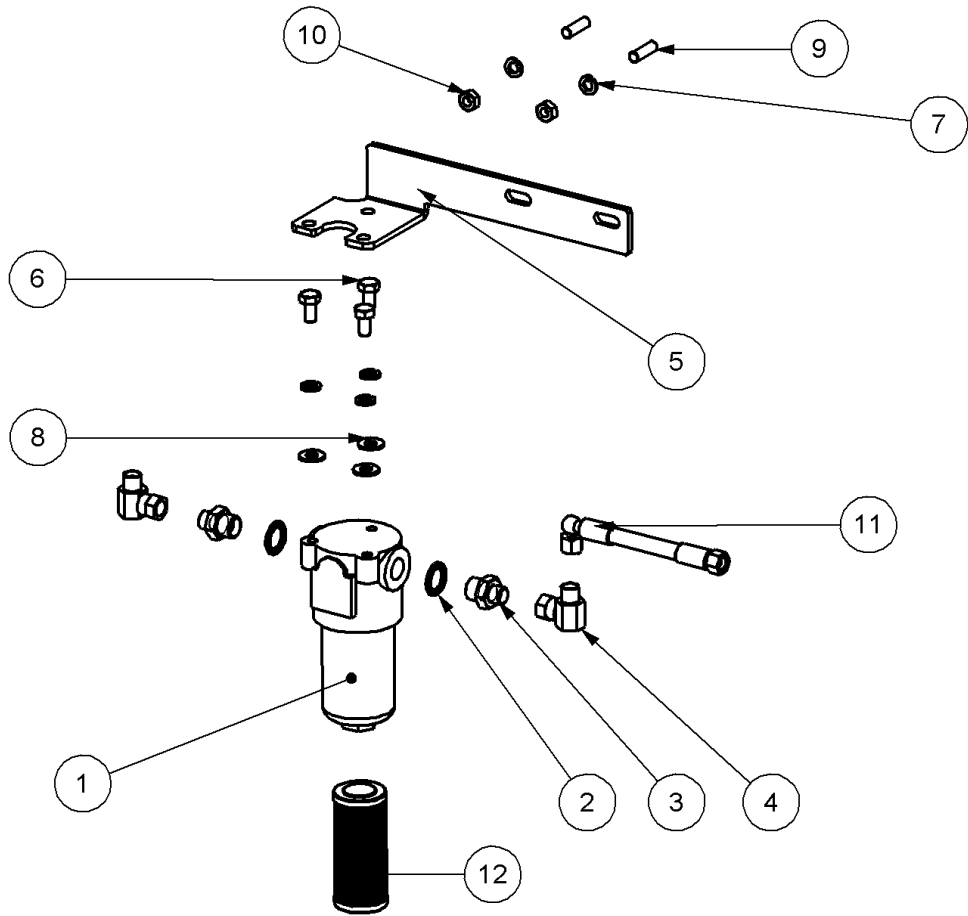
DMV VALVE FILTER ASSEMBLY RH  
77.550.07 REV : A



ITEM NO.	PART NUMBER	DESCRIPTION	QTY.
1	47563.01	MP FILTER	1
2	05.290.05	BONDED SEAL 1/2" BSP	2
3	05.123.01	ADAPTOR 3/8"BSPx1/2"BSP	2
4	05.835.01	90 ADAPTOR M/F SWIVEL	2
5	47431.09	FILTER MTG BRKT	1
6	05.264.11	SETSCREW M10x20	3
7	05.282.02	SPRING WASHER M10	5
8	05.281.02	FLAT WASHER M10	3
9	03.100.02	STUD M10 X 32	2
10	05.286.02	NUT M10	2
11	10.004.10	1/4"BSP FS/F90 400	1
12	47563.02	FILTER ELEMENT	0

DMV VALVE FILTER ASSEMBLY

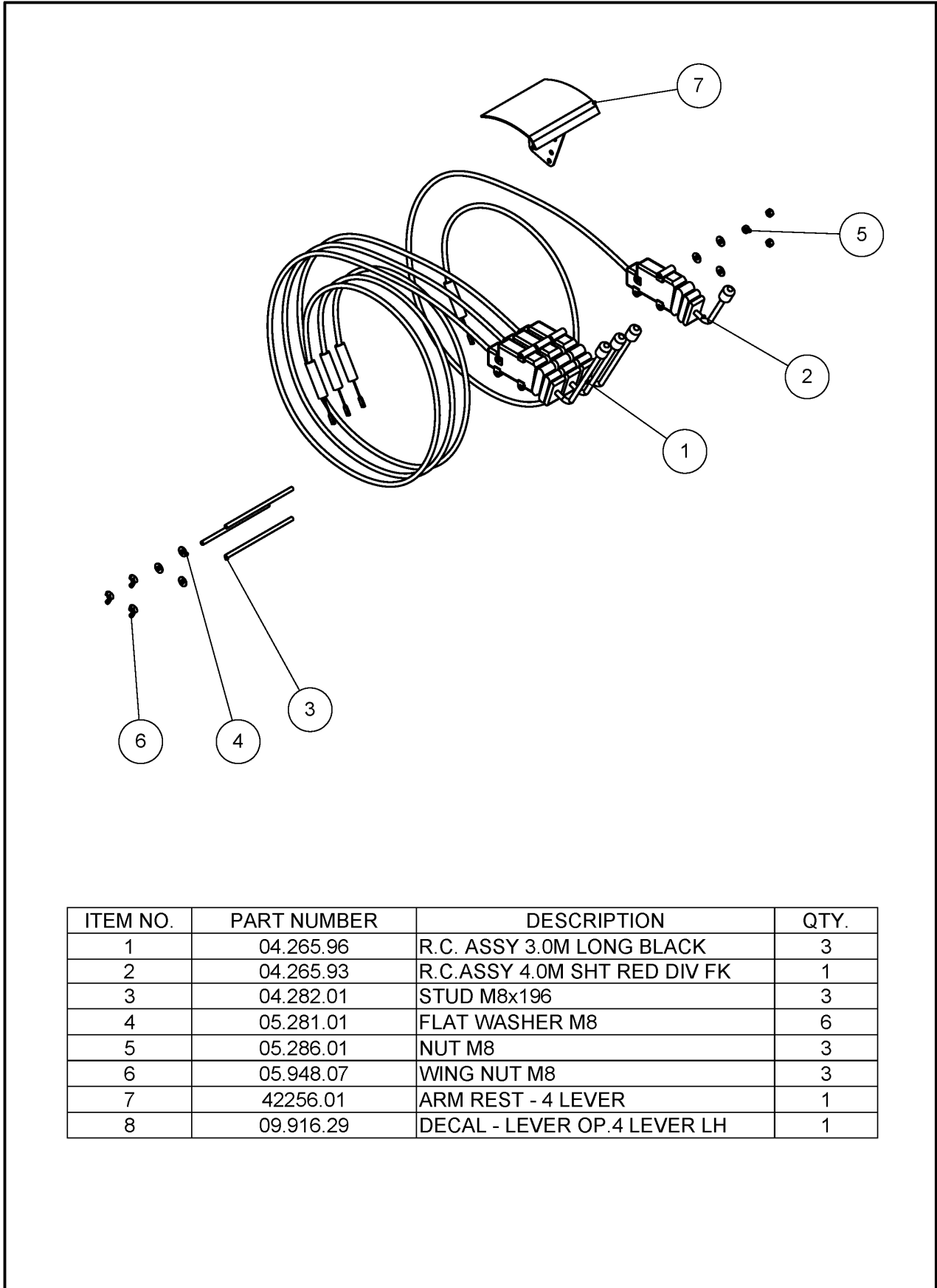
77.550.08 REV : A



ITEM NO.	PART NUMBER	DESCRIPTION	QTY.
1	47563.01	MP FILTER	1
2	05.290.05	BONDED SEAL 1/2" BSP	2
3	05.123.01	ADAPTOR 3/8"BSPx1/2"BSP	2
4	05.835.01	90 ADAPTOR M/F SWIVEL	2
5	47431.10	FILTER MOUNTING BRACKET	1
6	05.264.11	SETSCREW M10x20	3
7	05.282.02	SPRING WASHER M10	5
8	05.281.02	FLAT WASHER M10	3
9	03.100.02	STUD M10 X 32	2
10	05.286.02	NUT M10	2
11	10.004.10	1/4"BSP FS/F90 400	1
12	47563.02	FILTER ELEMENT	0

REMOTE CONTROL CABLE LH

74.647.17 REV : A

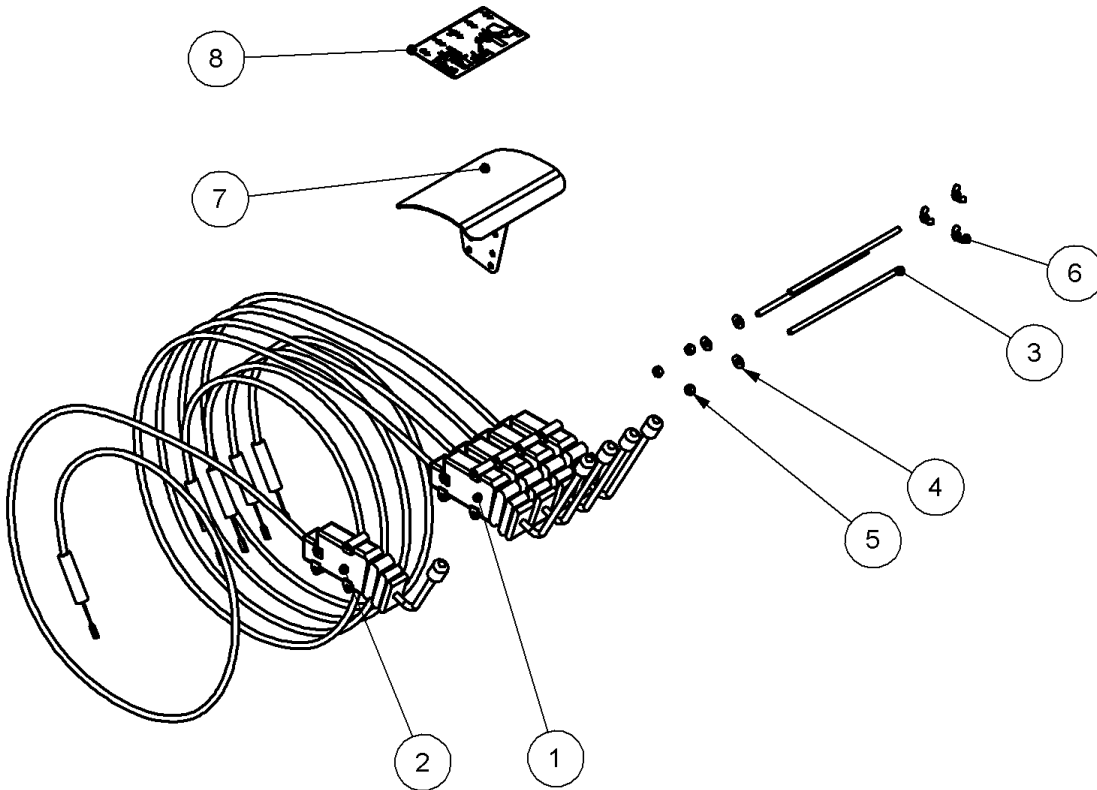


ITEM NO.	PART NUMBER	DESCRIPTION	QTY.
1	04.265.96	R.C. ASSY 3.0M LONG BLACK	3
2	04.265.93	R.C.ASSY 4.0M SHT RED DIV FK	1
3	04.282.01	STUD M8x196	3
4	05.281.01	FLAT WASHER M8	6
5	05.286.01	NUT M8	3
6	05.948.07	WING NUT M8	3
7	42256.01	ARM REST - 4 LEVER	1
8	09.916.29	DECAL - LEVER OP.4 LEVER LH	1



REMOTE CONTROL CABLE LH 9069

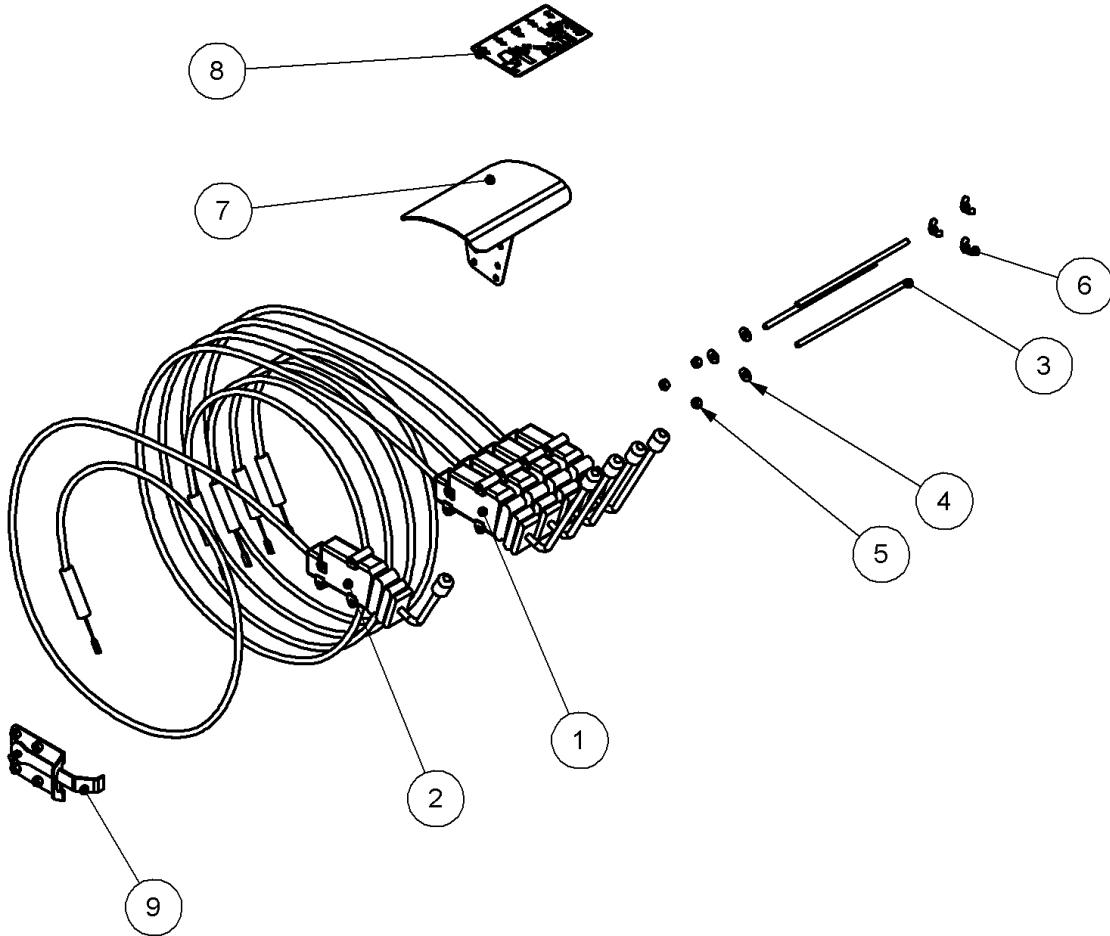
74.647.09 REV : A



ITEM NO.	PART NUMBER	DESCRIPTION	QTY.
1	04.265.96	R.C. ASSY 3.0M LONG BLACK	4
2	04.265.93	R.C.ASSY 4.0M SHT RED DIV FK	1
3	04.282.43	STUD M8 X240	3
4	05.281.01	FLAT WASHER M8	3
5	05.286.01	NUT M8	3
6	05.948.07	WING NUT M8	3
7	42256.03	ARM REST 4 BOWDEN CABLES	1
8	09.916.01	DECAL - LEVER OP. 5 LEVER LH	1

REMOTE CONTROL CABLE RH 9069

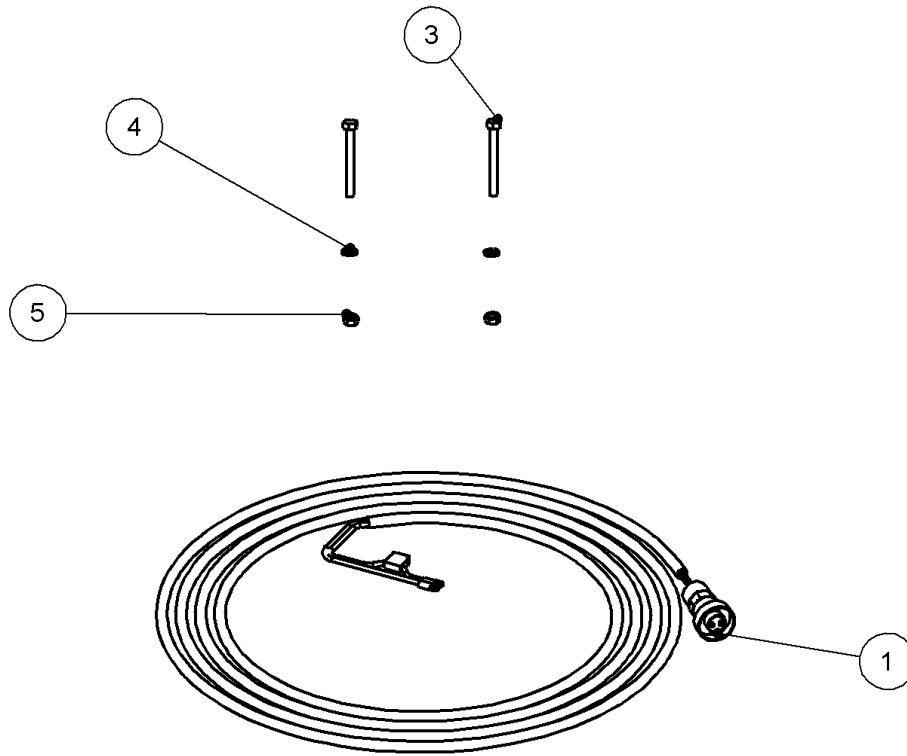
74.647.10 REV : A



ITEM NO.	PART NUMBER	DESCRIPTION	QTY.
1	04.265.96	R.C. ASSY 3.0M LONG BLACK	4
2	04.265.94	R.C.ASSY4.0M SHT RED SD14 9069	1
3	04.282.43	STUD M8 X240	3
4	05.281.01	FLAT WASHER M8	3
5	05.286.01	NUT M8	3
6	05.948.07	WING NUT M8	3
7	42256.03	ARM REST 4 BOWDEN CABLES	1
8	09.916.02	DECAL - LEVER OP. 5 LEVER RH	1
9	42511.01	LEVER BALKING ASSY	1

REMOTE CTRL CABLE EPP2

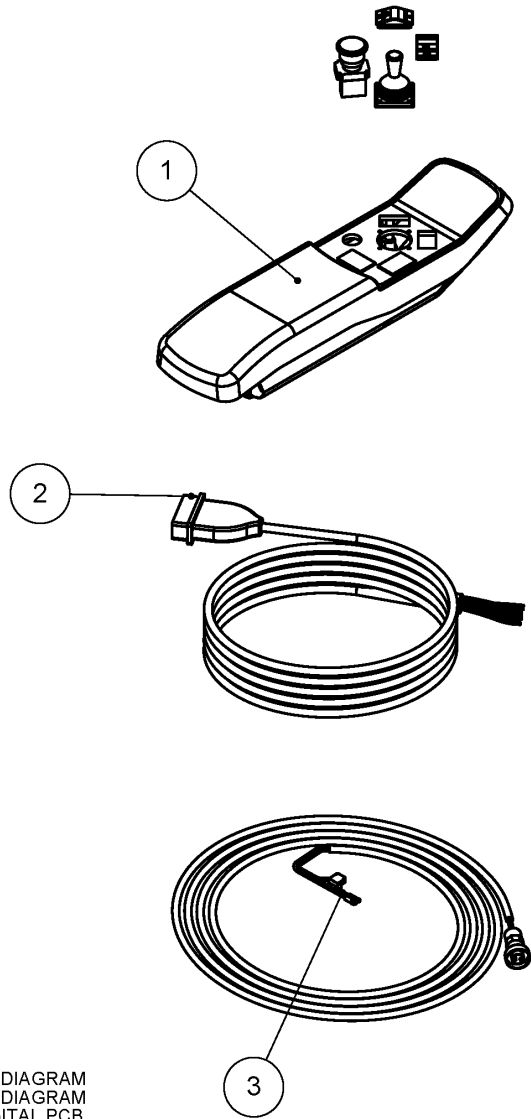
77.135.07 REV : A



ITEM NO.	PART NUMBER	DESCRIPTION	QTY.
1	09.968.10	CABLE ASSY TMC - 4.0M	1
2	06.820.01	DECAL-ROT.SHAFT CONTROL LEVER	1
3	30.068.90	M6 BOLTS	2
4	05.282.07	SPRING WASHER M6	2
5	05.286.10	NUT M6	2

EPPII 3SV +HF RCA ASY LH

76.426.03 REV : A

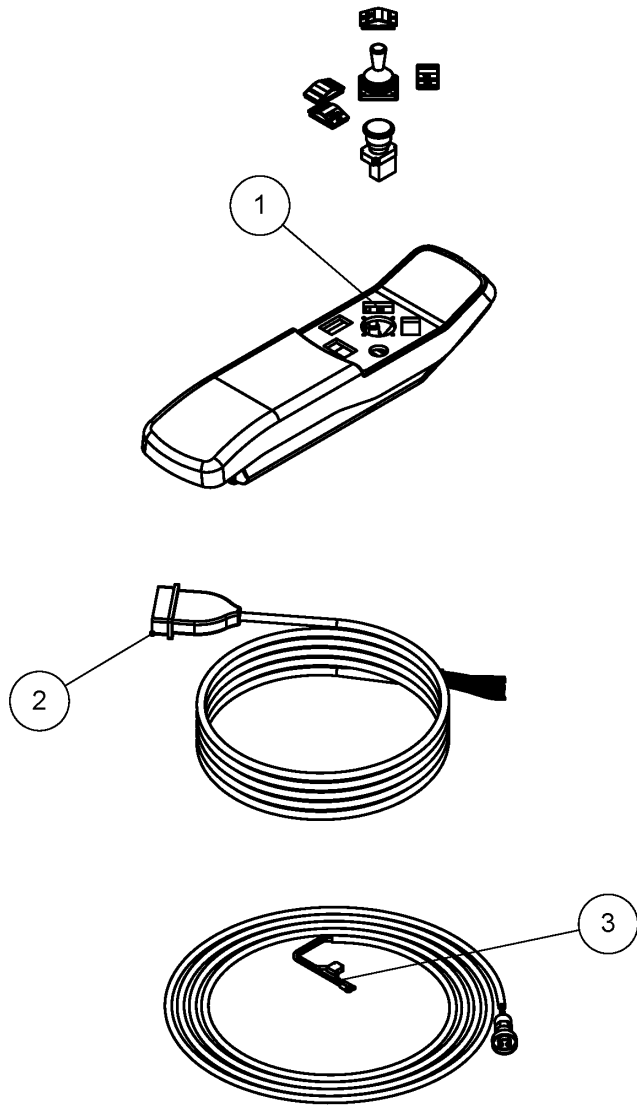


\* 42197.97 - WIRING DIAGRAM  
 \* 42197.98 - WIRING DIAGRAM  
 \* 42226.84 - STD DIGITAL PCB  
 \* 42226.96 - DECAL SET

ITEM NO.	PART NUMBER	DESCRIPTION	QTY.
1	42226.11	CONTROL BOX 3 SERVICE	1
	41786.33	SWITCH E/STOP	0
	41786.34	JOYSTICK ASSY	0
	41786.35	SWITCH ASSY COWL	0
	41786.38	SWITCH ASSY HEAD FLOAT	0
2	42197.11	WIRE LOOM	1
3	08.987.01	CABLE ASSY - 2 SORE	1

EPPII 4SV+HF/AF RC ASY RH

76.426.41 REV : A

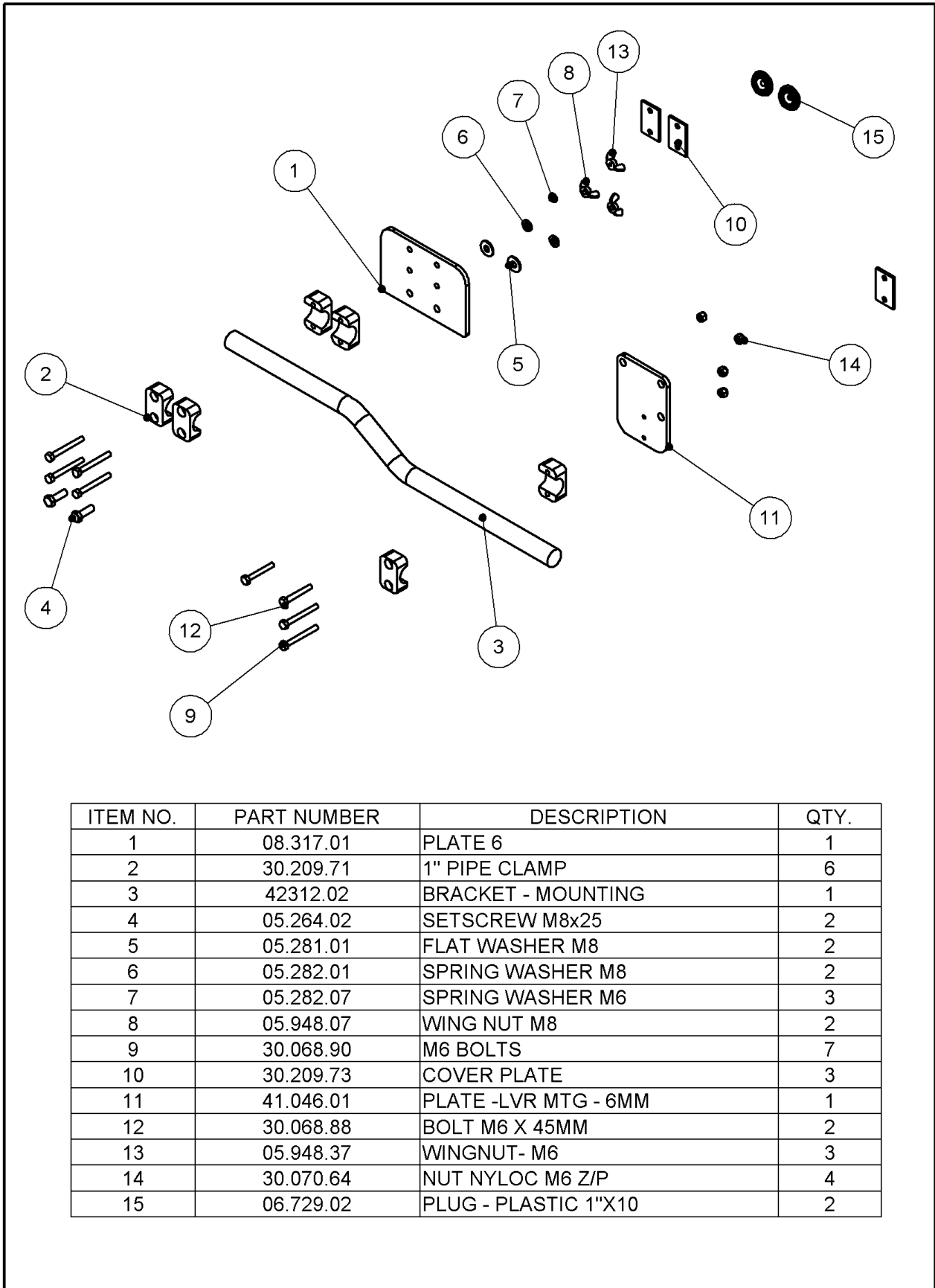


- \* 42197.96 - WIRING DIAGRAM B52
- \* 42197.97 - WIRING DIAGRAM B45
- \* 42197.98 - WIRING DIAGRAM B49
- \* 42226.84 - STD DIGITAL PCB
- \* 42226.95 - DECAL SET

ITEM NO.	PART NUMBER	DESCRIPTION	QTY.
1	42226.14	CONTROL BOX 4 SERVICE RH	1
	41786.33	SWITCH E/STOP	1
	41786.34	JOYSTICK ASSY	1
	41786.35	SWITCH ASSY COWL	1
	41786.38	SWITCH ASSY HEAD FLOAT	1
	41786.36	SWITCH ASSY SLEW	1
	41786.43	SWITCH - ARM FLOAT	1
2	42197.12	WIRE LOOM	1
3	08.987.01	CABLE ASSY - 2 SORE	1

EPPIM RCA CAB SIDE MNT 6359

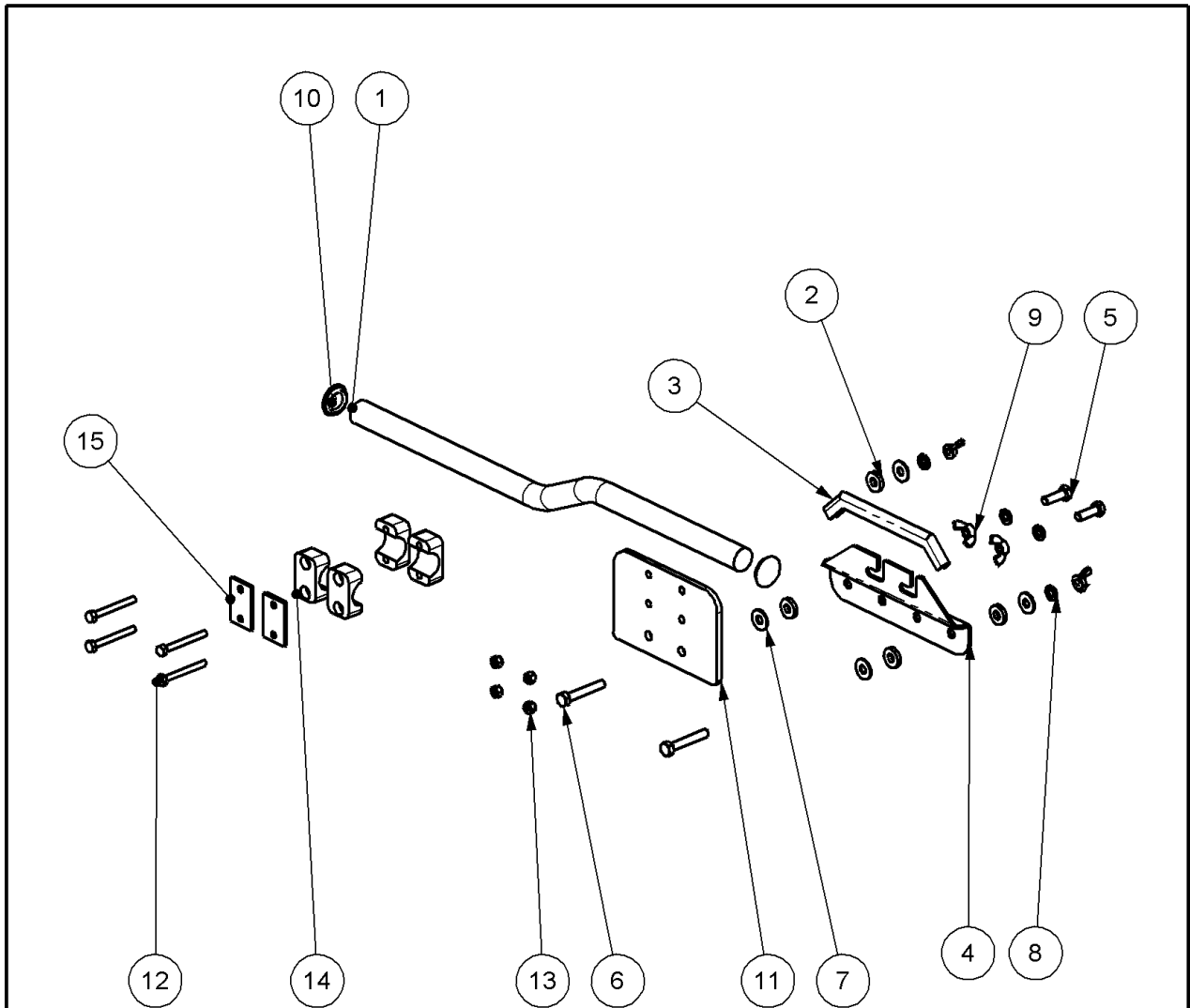
76.426.25 REV : A



ITEM NO.	PART NUMBER	DESCRIPTION	QTY.
1	08.317.01	PLATE 6	1
2	30.209.71	1" PIPE CLAMP	6
3	42312.02	BRACKET - MOUNTING	1
4	05.264.02	SETSCREW M8x25	2
5	05.281.01	FLAT WASHER M8	2
6	05.282.01	SPRING WASHER M8	2
7	05.282.07	SPRING WASHER M6	3
8	05.948.07	WING NUT M8	2
9	30.068.90	M6 BOLTS	7
10	30.209.73	COVER PLATE	3
11	41.046.01	PLATE -LVR MTG - 6MM	1
12	30.068.88	BOLT M6 X 45MM	2
13	05.948.37	WINGNUT- M6	3
14	30.070.64	NUT NYLOC M6 Z/P	4
15	06.729.02	PLUG - PLASTIC 1"X10	2

EPP RCC KIT RH MACHINES

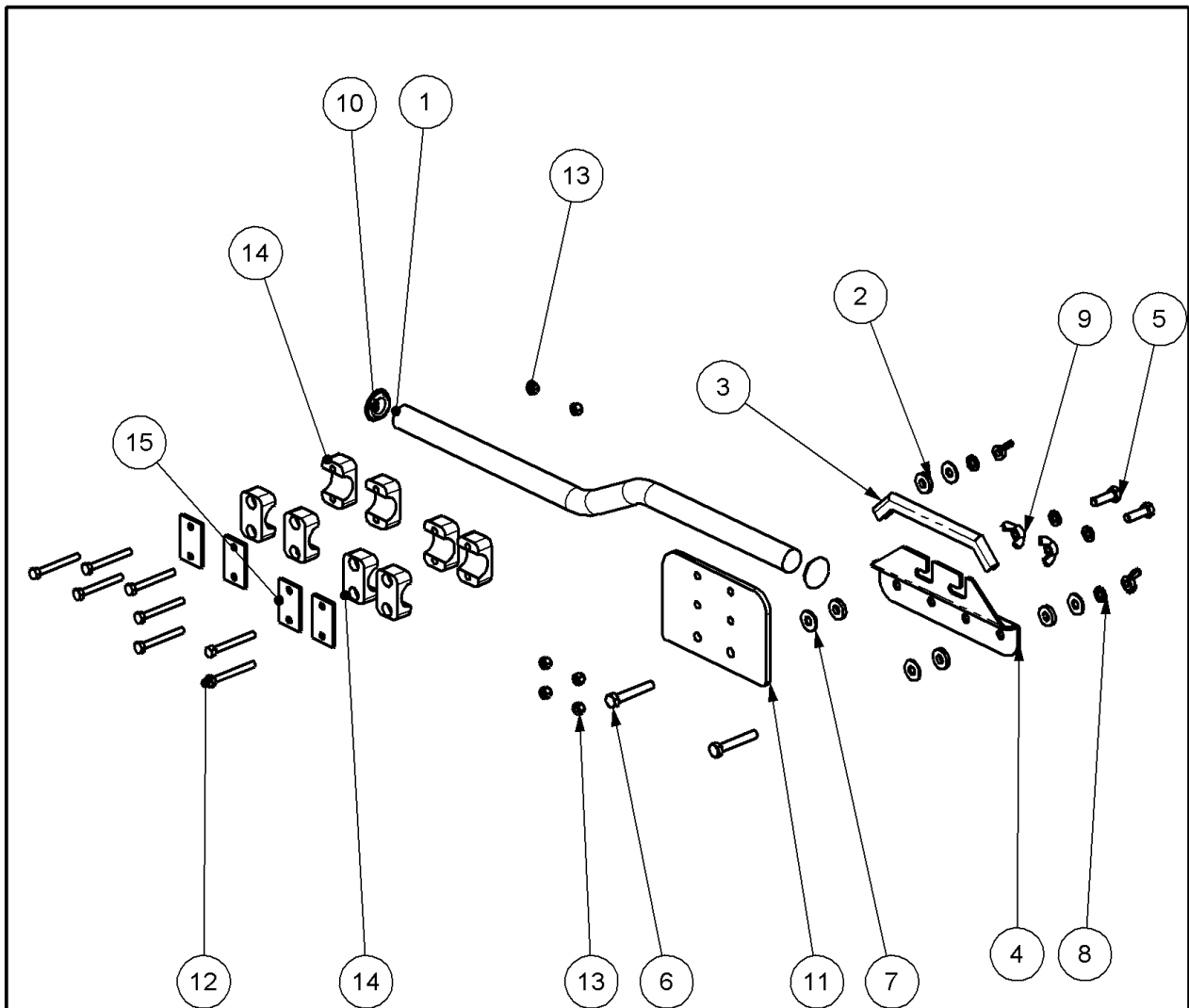
77.751.02 REV : A



ITEM NO.	PART NUMBER	DESCRIPTION	QTY.
1	42312.02	BRACKET - MOUNTING	1
2	03.152.01	RUBBER WASHER	4
3	03.231.02	RUBBER EDGING	1
4	03.583.02	PLATE	1
5	05.264.02	SETSCREW M8x25	2
6	05.264.07	SETSCREW M8x50	2
7	05.281.01	FLAT WASHER M8	4
8	05.282.01	SPRING WASHER M8	4
9	05.948.07	WING NUT M8	4
10	06.729.02	PLUG - PLASTIC 1"X10	2
11	08.317.01	PLATE 6	1
12	30.068.90	M6 BOLTS	4
13	30.070.64	NUT NYLOC M6 Z/P	4
14	30.209.71	1" PIPE CLAMP	4
15	30.209.73	COVER PLATE	2

LPH RCC KIT RH MACHINES

77.753.02 REV : A

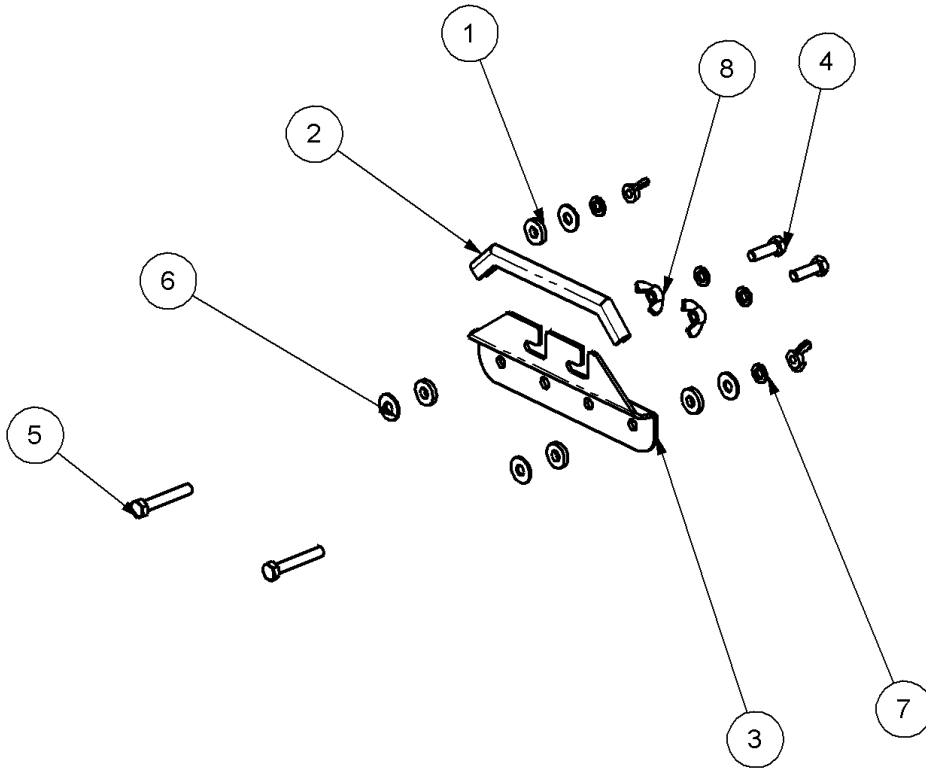


ITEM NO.	PART NUMBER	DESCRIPTION	QTY.
1	42312.02	BRACKET - MOUNTING	1
2	03.152.01	RUBBER WASHER	4
3	03.231.02	RUBBER EDGING	1
4	03.583.02	PLATE	1
5	05.264.02	SETSCREW M8x25	2
6	05.264.07	SETSCREW M8x50	2
7	05.281.01	FLAT WASHER M8	4
8	05.282.01	SPRING WASHER M8	4
9	05.948.07	WING NUT M8	4
10	06.729.02	PLUG - PLASTIC 1"X10	2
11	08.317.01	PLATE 6	1
12	30.068.90	M6 BOLTS	8
13	30.070.64	NUT NYLOC M6 Z/P	8
14	30.209.71	1" PIPE CLAMP	8
15	30.209.73	COVER PLATE	4



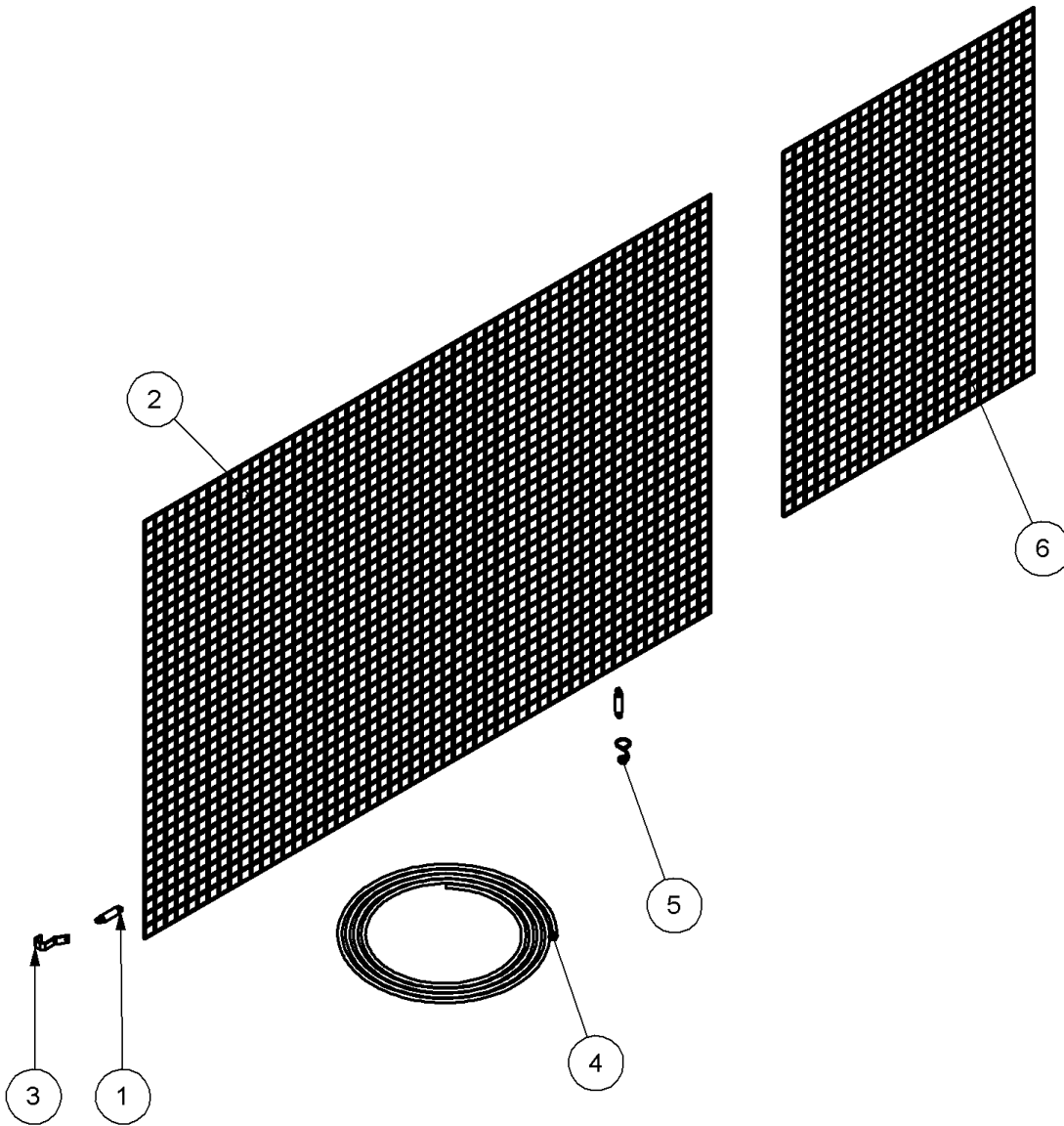
CABLE RCC KIT RH MACHINES

77.754.02 REV : A



ITEM NO.	PART NUMBER	DESCRIPTION	QTY.
1	03.152.01	RUBBER WASHER	4
2	03.231.02	RUBBER EDGING	1
3	03.583.02	PLATE	1
4	05.264.02	SETSCREW M8x25	2
5	05.264.07	SETSCREW M8x50	2
6	05.281.01	FLAT WASHER M8	4
7	05.282.01	SPRING WASHER M8	4
8	05.948.07	WING NUT M8	4

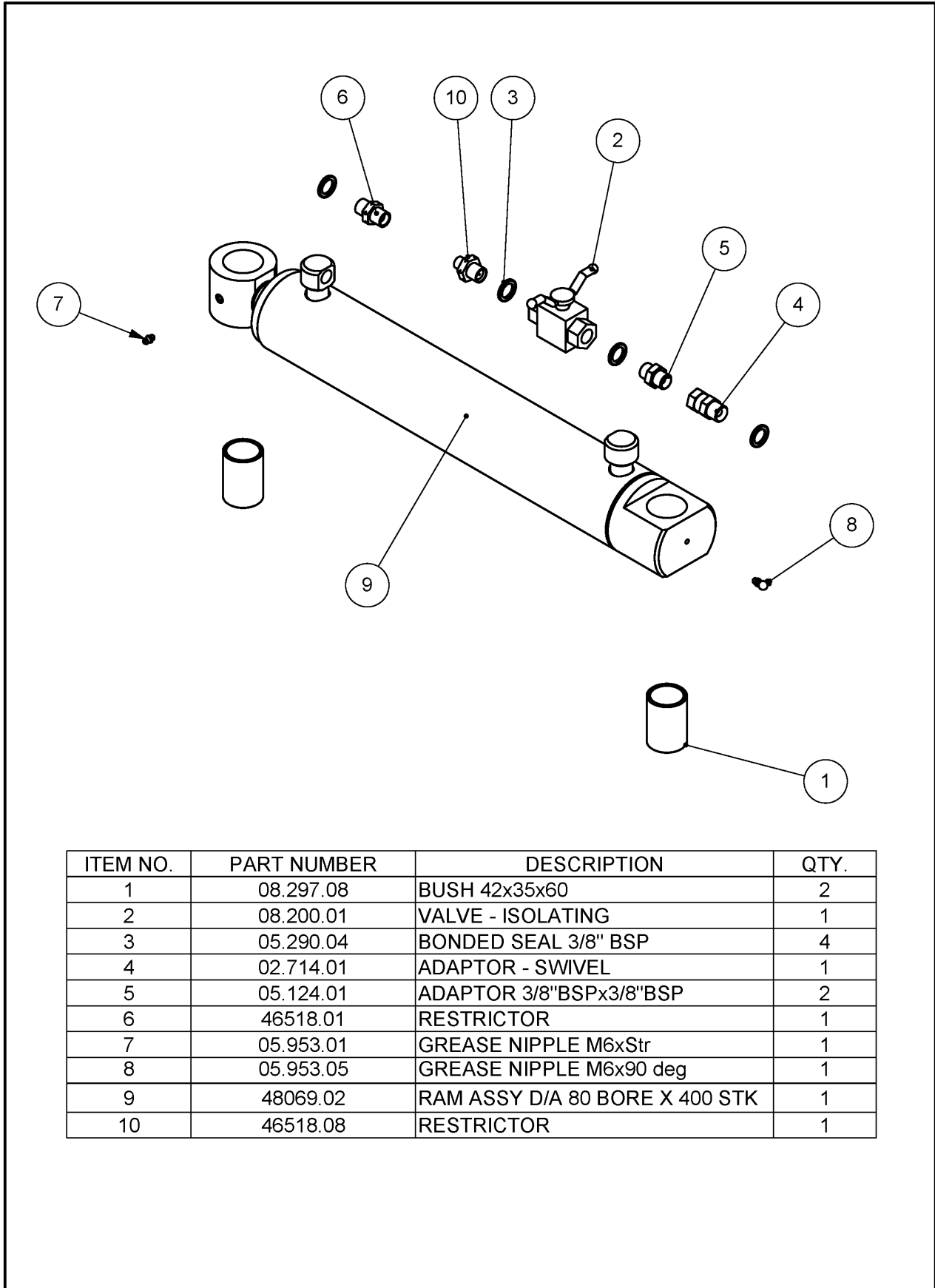
CAB GUARD KIT  
76.150.01 REV : A



ITEM NO.	PART NUMBER	DESCRIPTION	QTY.
1	41585.01	SPRING	12
2	41755.01	GUARD PANEL - LARGE	1
3	41745.01	HOOK	8
4	42076.01	FOAM EDGING STRIP	1
5	41586.01	HOOK	6
6	41755.02	GUARD PANEL - SMALL	1
7	41587.01	HOOK - CAB GUARD	6

RAM ASSY FIRST CABLE

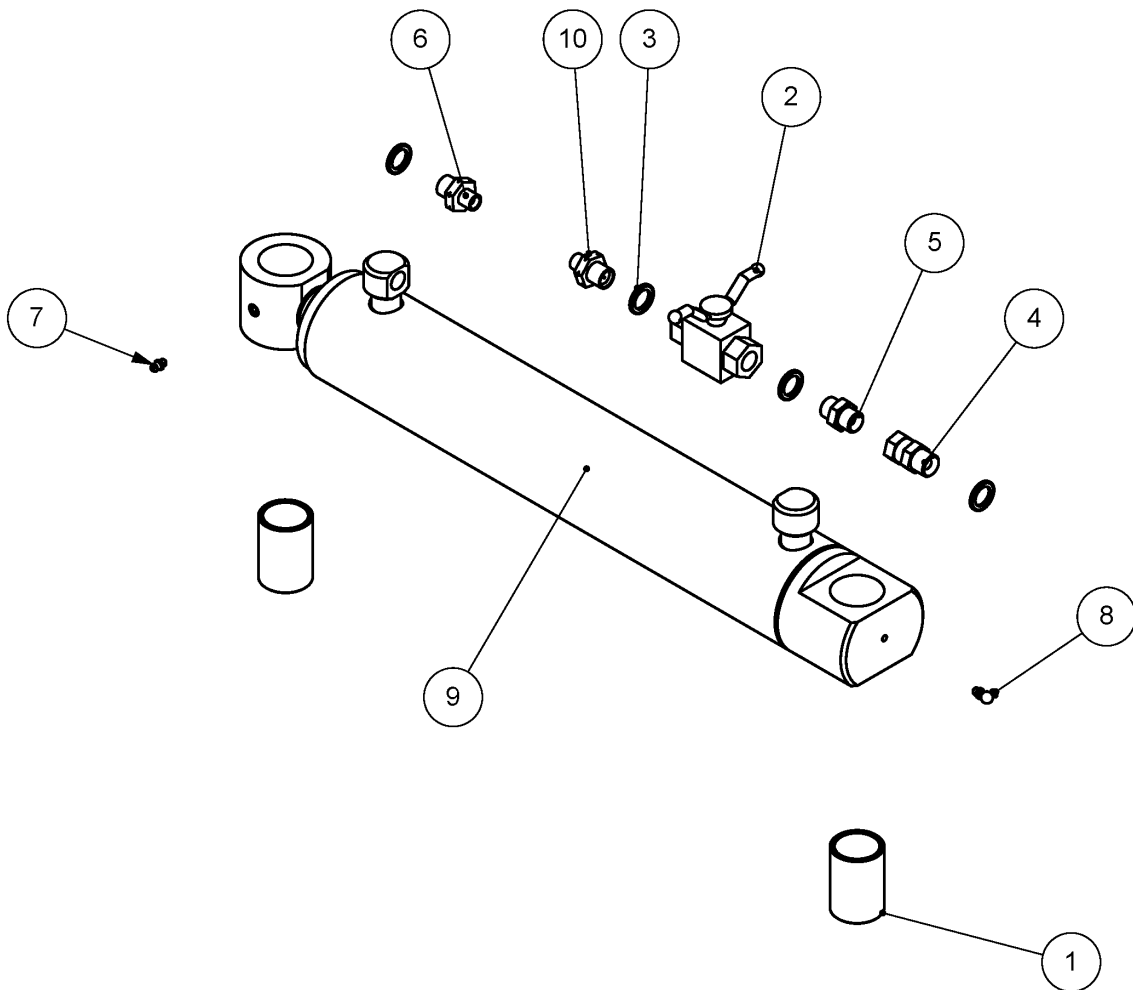
77.104.04 REV : C



ITEM NO.	PART NUMBER	DESCRIPTION	QTY.
1	08.297.08	BUSH 42x35x60	2
2	08.200.01	VALVE - ISOLATING	1
3	05.290.04	BONDED SEAL 3/8" BSP	4
4	02.714.01	ADAPTOR - SWIVEL	1
5	05.124.01	ADAPTOR 3/8"BSPx3/8"BSP	2
6	46518.01	RESTRICTOR	1
7	05.953.01	GREASE NIPPLE M6xStr	1
8	05.953.05	GREASE NIPPLE M6x90 deg	1
9	48069.02	RAM ASSY D/A 80 BORE X 400 STK	1
10	46518.08	RESTRICTOR	1

RAM ASSY FIRST CABLE

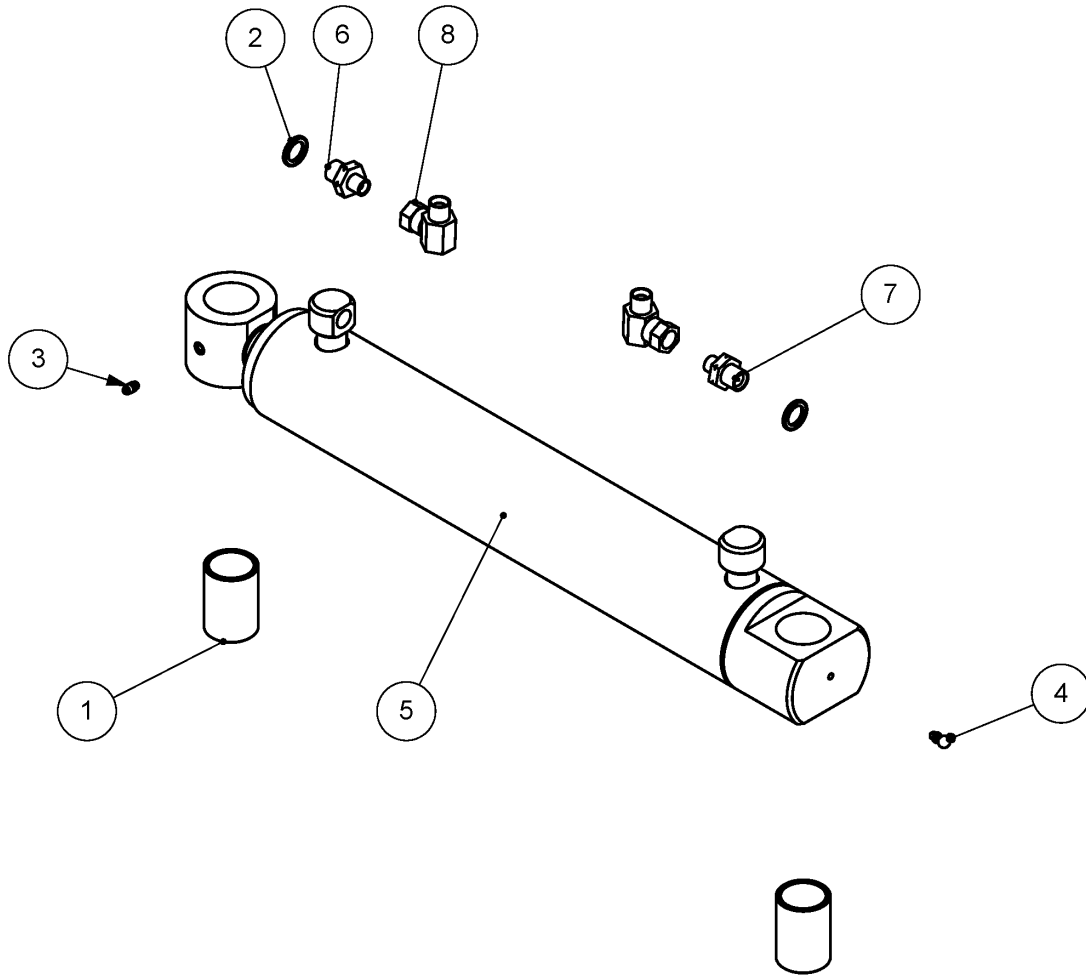
77.104.09 REV : B



ITEM NO.	PART NUMBER	DESCRIPTION	QTY.
1	08.297.08	BUSH 42x35x60	2
2	08.200.01	VALVE - ISOLATING	1
3	05.290.04	BONDED SEAL 3/8" BSP	4
4	02.714.01	ADAPTOR - SWIVEL	1
5	05.124.01	ADAPTOR 3/8"BSPx3/8"BSP	1
6	46518.12	RESTRICTOR	1
7	05.953.01	GREASE NIPPLE M6xStr	1
8	05.953.05	GREASE NIPPLE M6x90 deg	1
9	48069.02	RAM ASSY D/A 80 BORE X 400 STK	1
10	46518.08	RESTRICTOR	1

RAM ASSY SECOND CABL

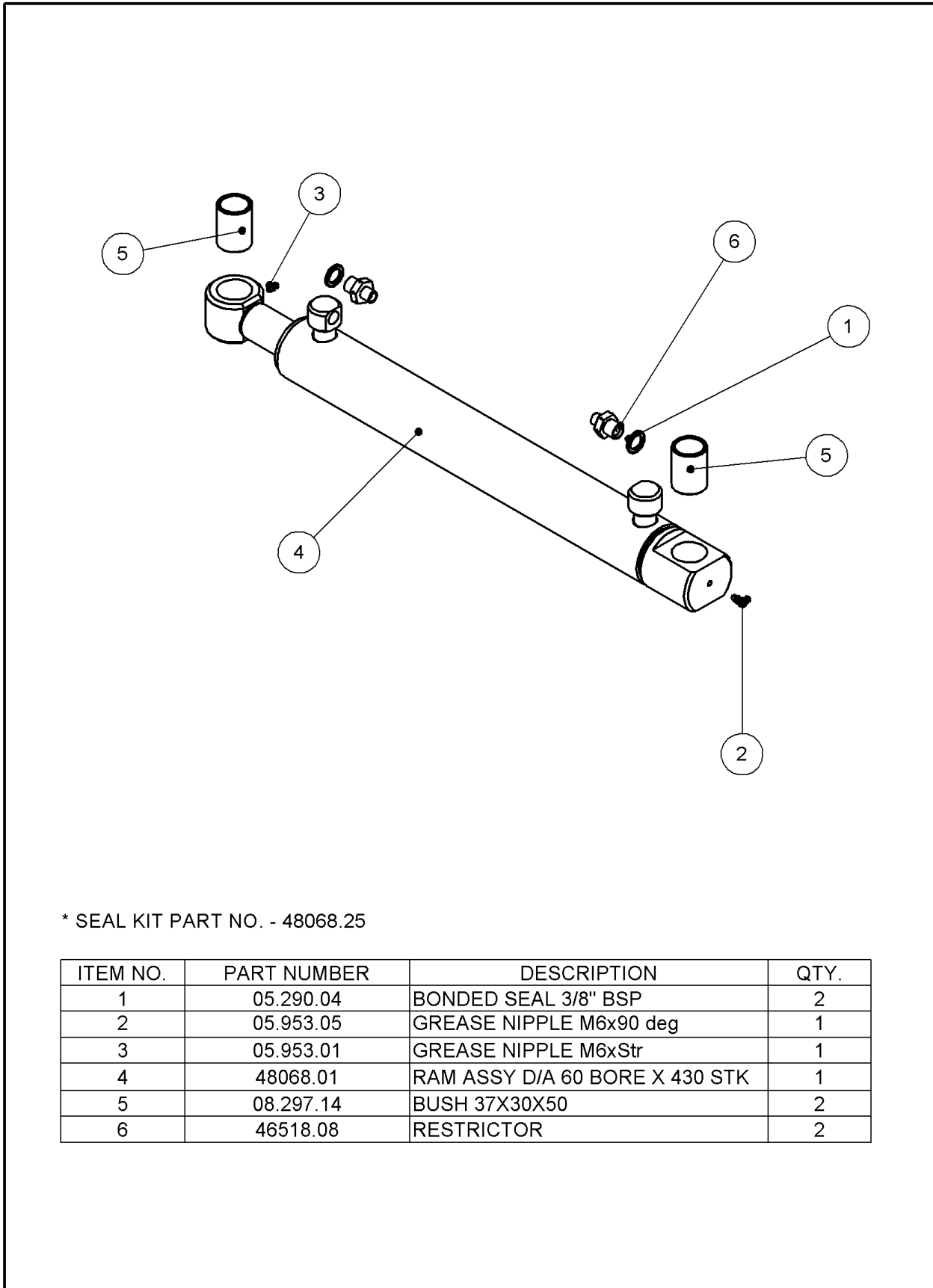
77.114.04 REV : C



ITEM NO.	PART NUMBER	DESCRIPTION	QTY.
1	08.297.08	BUSH 42x35x60	2
2	05.290.04	BONDED SEAL 3/8" BSP	2
3	05.953.01	GREASE NIPPLE M6xStr	1
4	05.953.05	GREASE NIPPLE M6x90 deg	1
5	48069.02	RAM ASSY D/A 80 BORE X 400 STK	1
6	46518.12	RESTRICTOR	1
7	46518.08	RESTRICTOR	1
8	05.835.01	90 ADAPTOR M/F SWIVEL	2

RAM ASSY COWL CABLE

77.113.02 REV : C

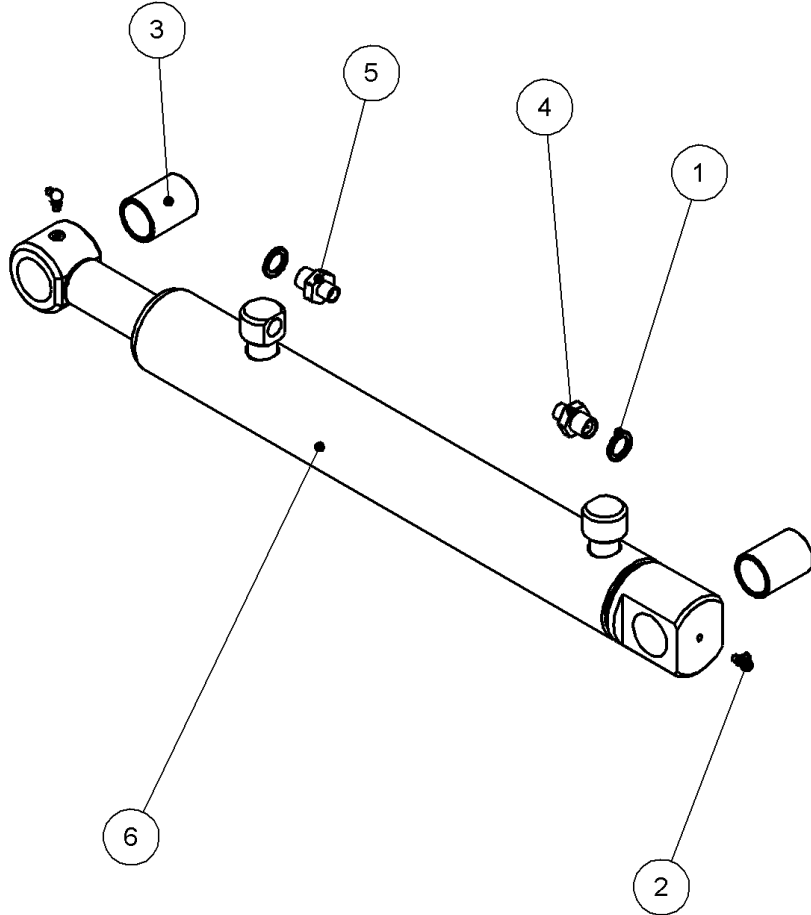


\* SEAL KIT PART NO. - 48068.25

ITEM NO.	PART NUMBER	DESCRIPTION	QTY.
1	05.290.04	BONDED SEAL 3/8" BSP	2
2	05.953.05	GREASE NIPPLE M6x90 deg	1
3	05.953.01	GREASE NIPPLE M6xStr	1
4	48068.01	RAM ASSY D/A 60 BORE X 430 STK	1
5	08.297.14	BUSH 37X30X50	2
6	46518.08	RESTRICTOR	2

RAM ASSY SLEW CABLE

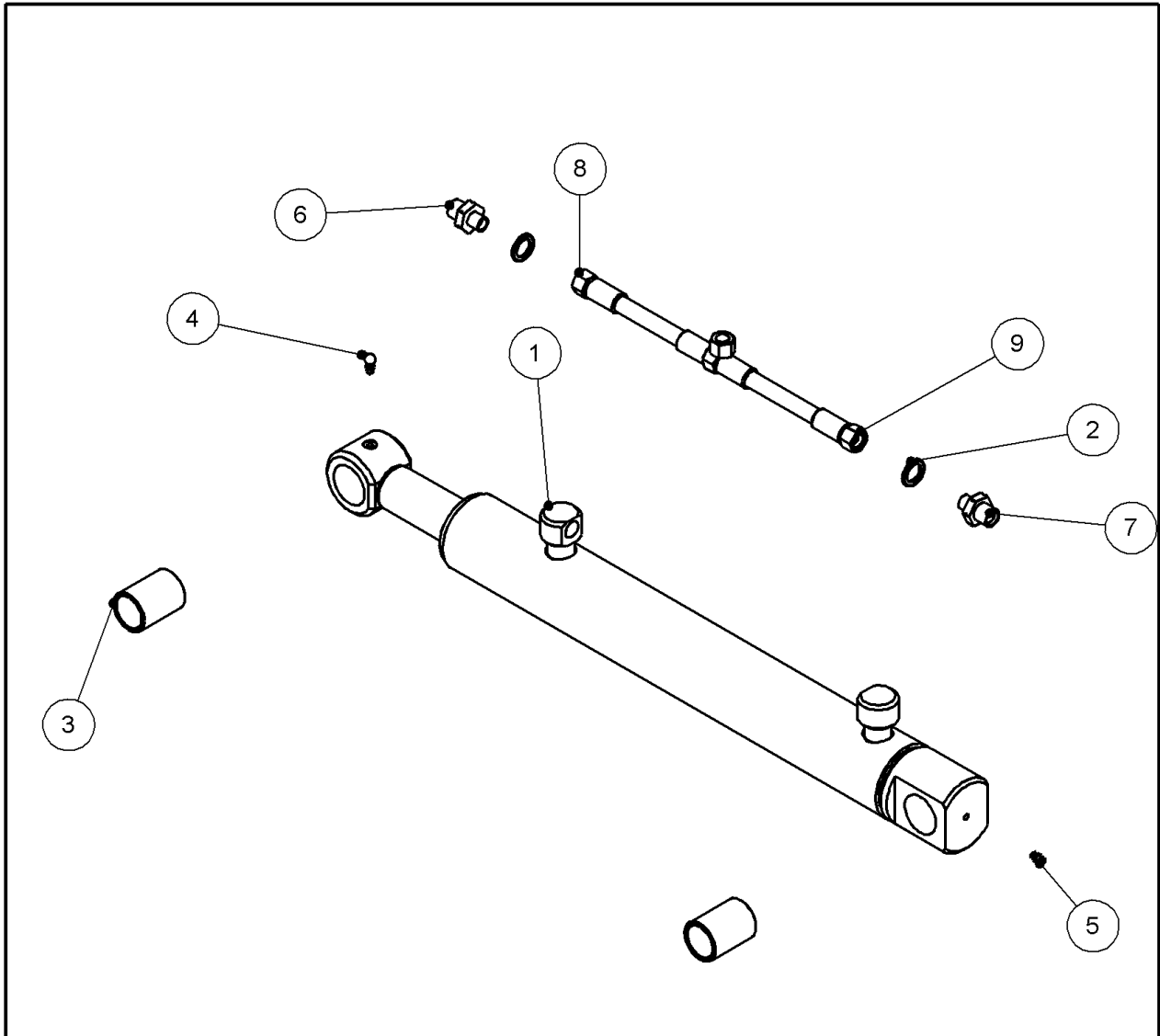
77.111.02 REV : C



\* SEAL KIT PART NO. - 48067.25

ITEM NO.	PART NUMBER	DESCRIPTION	QTY.
1	05.290.04	BONDED SEAL 3/8" BSP	2
2	05.953.05	GREASE NIPPLE M6x90 deg	2
3	08.297.14	BUSH 37X30X50	2
4	46518.08	RESTRICTOR	1
5	46518.14	RESTRICTOR	1
6	48067.01	RAM ASSY 60 BORE X 340 STK	1

SLEW RAM KIT  
77.217.01 REV : C



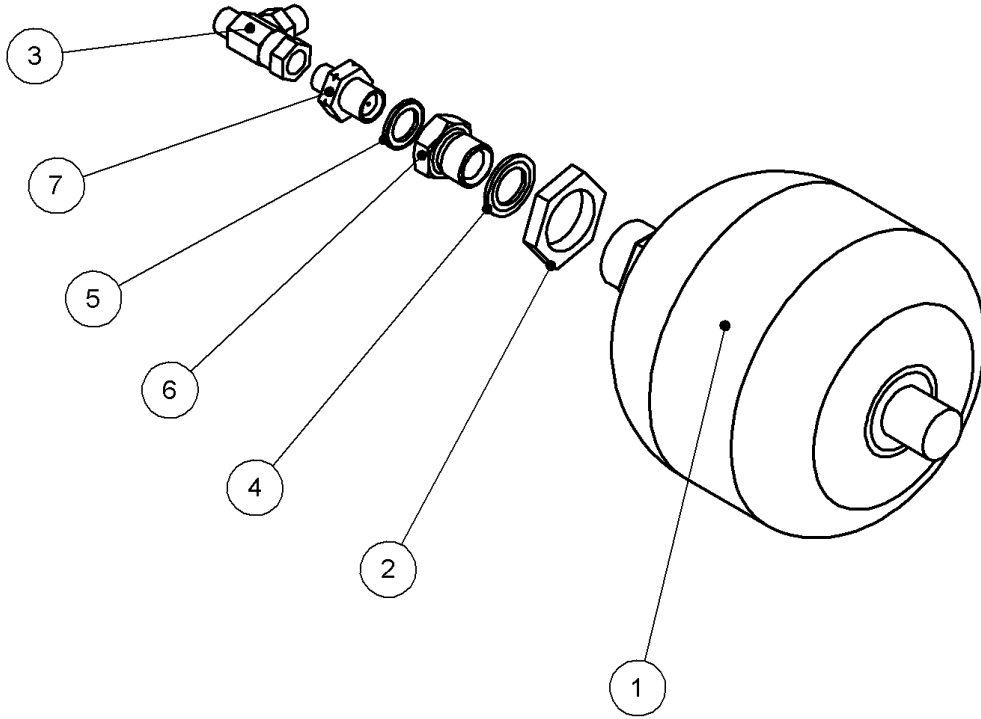
SEAL KIT PART No. - 48067.25

ITEM NO.	PART NUMBER	DESCRIPTION	QTY.
1	48067.01	RAM ASSY 60 BORE X 340 STK	1
2	05.290.04	BONDED SEAL 3/8" BSP	2
3	08.297.14	BUSH 37X30X50	2
4	05.953.05	GREASE NIPPLE M6x90 deg	1
5	05.953.01	GREASE NIPPLE M6xStr	1
6	46518.14	RESTRICTOR	1
7	46518.08	RESTRICTOR	1
8	10.002.10	1/4"BSP FS/F90 500	1
9	10.001.24	1/4"BSP FS/FS 1400	1



ACCUMULATOR - SLEW A

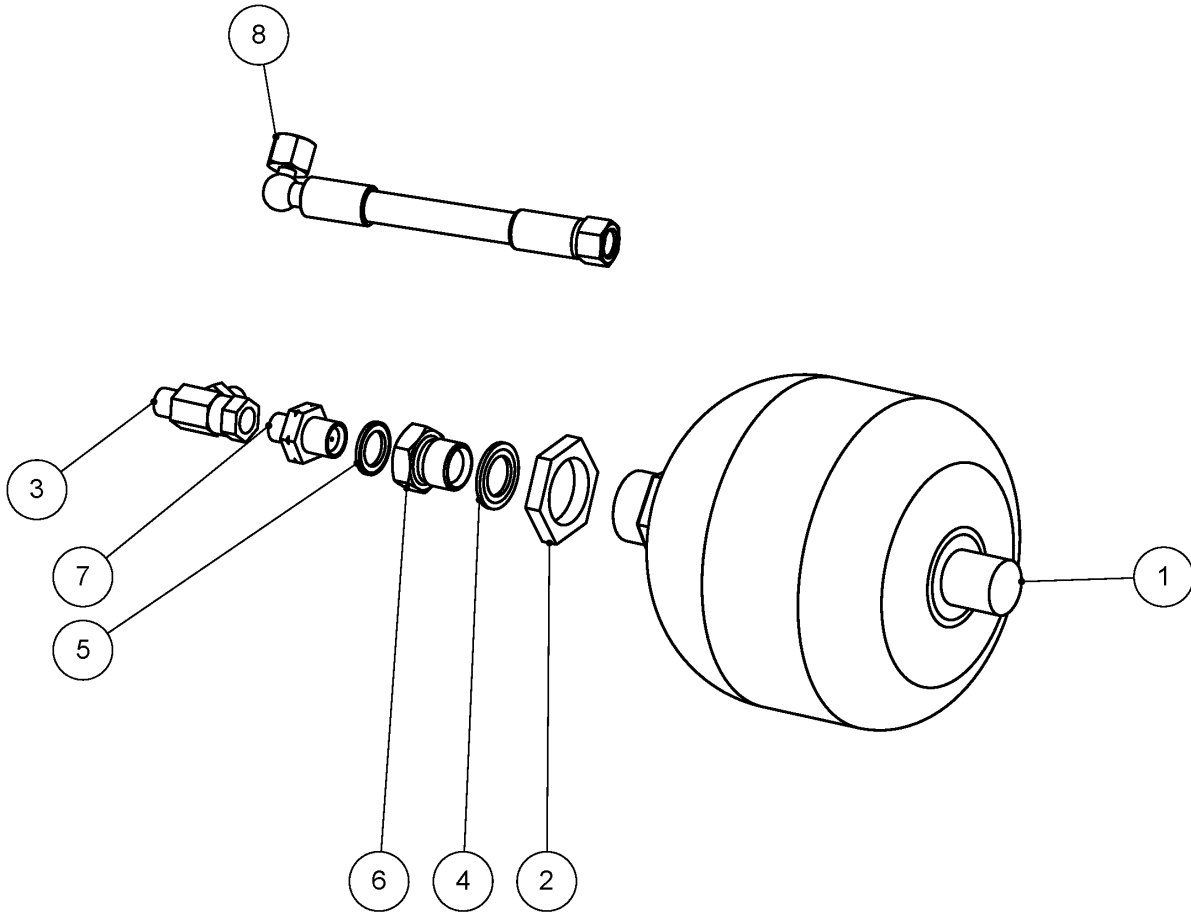
77.117.01 REV : B



ITEM NO.	PART NUMBER	DESCRIPTION	QTY.
1	8126043	ACCUMULATOR 1.4LT - 90 BAR	1
2	8126035	NUT	1
3	04.056.10	TEE ADAPTOR FMM	1
4	05.290.00	BONDED SEAL 1/2" BSP	1
5	05.290.04	BONDED SEAL 3/8" BSP	1
6	8581284	ADAPTOR - M22X3/8BSP MF	1
7	46518.08	RESTRICTOR	1

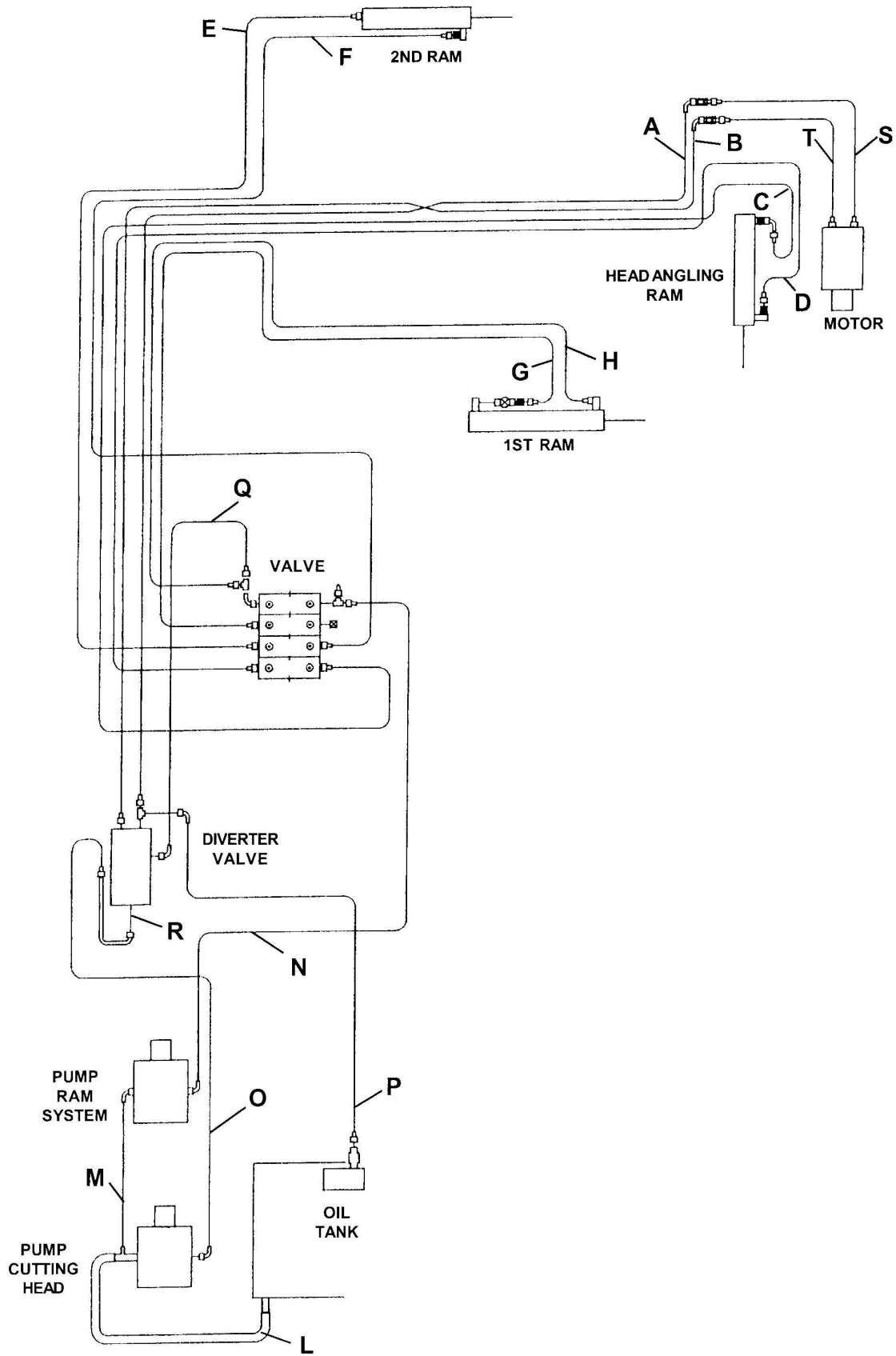
ACCUMULATOR - SLEW RAM

77.117.06 REV : A



ITEM NO.	PART NUMBER	DESCRIPTION	QTY.
1	8126043	ACCUMULATOR 1.4LT - 90 BAR	1
2	8126035	NUT	1
3	04.056.10	TEE ADAPTOR FMM	1
4	8650322	BONDED SEAL 1/2" BSP	1
5	05.290.04	BONDED SEAL 3/8" BSP	1
6	8581284	ADAPTOR - M22X3/8BSP MF	1
7	46518.08	RESTRICTOR	1
8	10.002.10	1/4"BSP FS/F90 500	1

**This page is intentionally left blank.**



## HOSE SERV KIT HARRIER 70L LH

77.340.01 REV : A

47058.01 - HOSE KIT HARRIER 5.0PAR LH 70L			
ITEM	PART NO.	DESCRIPTION	QTY
A	10.021.73	HOSE 3/4"BSP STX135 S.SEAL6300	1
B	10.021.73	HOSE 3/4"BSP STX135 S.SEAL6300	1
C	10.002.63	HOSE 1/4"BSP STX90 S.SEAL 5300	1
D	10.002.63	HOSE 1/4"BSP STX90 S.SEAL 5300	1
E	10.002.36	HOSE 1/4"BSP STX90 S.SEAL 2600	1
F	10.002.36	HOSE 1/4"BSP STX90 S.SEAL 2600	1
G	10.002.25	HOSE 1/4"BSP STX90 S.SEAL 1500	1
H	10.002.24	HOSE 1/4"BSP STX90 S.SEAL 1400	1
L	10.024.16	1 1/2" HOSE PLAIN X PLAIN 900	1
M	10.021.14	3/4" HOSE COMPACT 90 X PLAIN 500	1
N	10.004.20	HOSE 3/8"BSP STX90 S.SEAL 1000	1
O	10.009.12	HOSE 3/4"BSP STXST S.SEAL 600	1
P	10.010.14	HOSE 3/4"BSP STX90 S.SEAL 700	1
Q	10.006.13	HOSE 1/2"BSP STX90 S.SEAL 650	1
S	10.009.26	HOSE 3/4"BSP ST/S T S.SEAL 1600	1
T	10.009.26	HOSE 3/4"BSP ST/S T S.SEAL 1600	1

ADDITIONAL COMPONENTS			
	47080.01	3/4" STEEL HOSE RUBER HOSE ASSY	1
	7106187	NYLON STRAP HOSE	4

HOSE SERV KIT HARRIER 84L LH

77.346.01 REV : A

47088.01 - HOSE KIT HARRIER 5.0P LH 84L			
ITEM	PART NO.	DESCRIPTION	QTY
A	10.025.73	HOSE 1"BSP ST 135 S.SEAL 6300	1
B	10.025.73	HOSE 1"BSP ST 135 S.SEAL 6300	1
C	10.002.63	HOSE 1/4"BSP STX90 S.SEAL 5300	1
D	10.002.63	HOSE 1/4"BSP STX90 S.SEAL 5300	1
E	10.002.36	HOSE 1/4"BSP STX90 S.SEAL 2600	1
F	10.002.36	HOSE 1/4"BSP STX90 S.SEAL 2600	1
G	10.002.25	HOSE 1/4"BSP STX90 S.SEAL 1500	1
H	10.002.24	HOSE 1/4"BSP STX90 S.SEAL 1400	1
L	10.024.18	1 1/2" SUCTION HOSE PLAIN X 440 LONG	1
M	10.021.18	HOSE 3/4"BSP 90 X PLAIN 900	1
N	10.004.20	HOSE 3/8"BSP STX90 S.SEAL 1000	1
O	10.009.12	HOSE 3/4"BSP STXST S.SEAL 600	1
P	10.012.11	HOSE 1"BSP STX90 S.SEAL 550	1
Q	10.006.13	HOSE 1/2"BSP STX90 S.SEAL 650	1
S	10.011.26	HOSE 1"BSP STXST S.SEAL 1600	1
T	10.011.26	HOSE 1"BSP STXST S.SEAL 1600	1

ADDITIONAL COMPONENTS			
	47080.01	3/4" STEEL HOSE RUBBER HOSE ASSY	1
	7106187	NYLON STRAP HOSE	4

HOSE SERV KIT 84L RH 4.7P HARR

77.358.06 REV : A

47088.06 - HOSEKIT HARRIER 4.7P RH 84L			
ITEM	PART NO.	DESCRIPTION	QTY
A	10.025.73	HOSE 1"BSP ST 135 S.SEAL 6300	1
B	10.025.73	HOSE 1"BSP ST 135 S.SEAL 6300	1
C	10.002.63	HOSE 1/4"BSP STX90 S.SEAL 5300	1
D	10.002.63	HOSE 1/4"BSP STX90 S.SEAL 5300	1
E	10.002.36	HOSE 1/4"BSP STX90 S.SEAL 2600	1
F	10.002.36	HOSE 1/4"BSP STX90 S.SEAL 2600	1
G	10.002.25	HOSE 1/4"BSP STX90 S.SEAL 1500	1
H	10.002.24	HOSE 1/4"BSP STX90 S.SEAL 1400	1
L	10.024.12	HOSE 1.5" BSP ST X ST 500	1
N	10.004.20	HOSE 3/8"BSP STX90 S.SEAL 1000	1
O	10.010.24	HOSE 3/4"BSP STX90 S.SEAL 1400	1
P	10.012.17	HOSE 1"BSP STX09 S.SEAL 850	1
Q	10.006.13	HOSE 1/2"BSP STX90 S.SEAL 650	1
S	10.011.26	HOSE 1"BSP STXST S.SEAL 1600	1
T	10.011.26	HOSE 1"BSP STXST S.SEAL 1600	1

ADDITIONAL COMPONENTS			
	7106187	NYLON STRAP HOSE	4

HOSE SERV KIT 84L RH

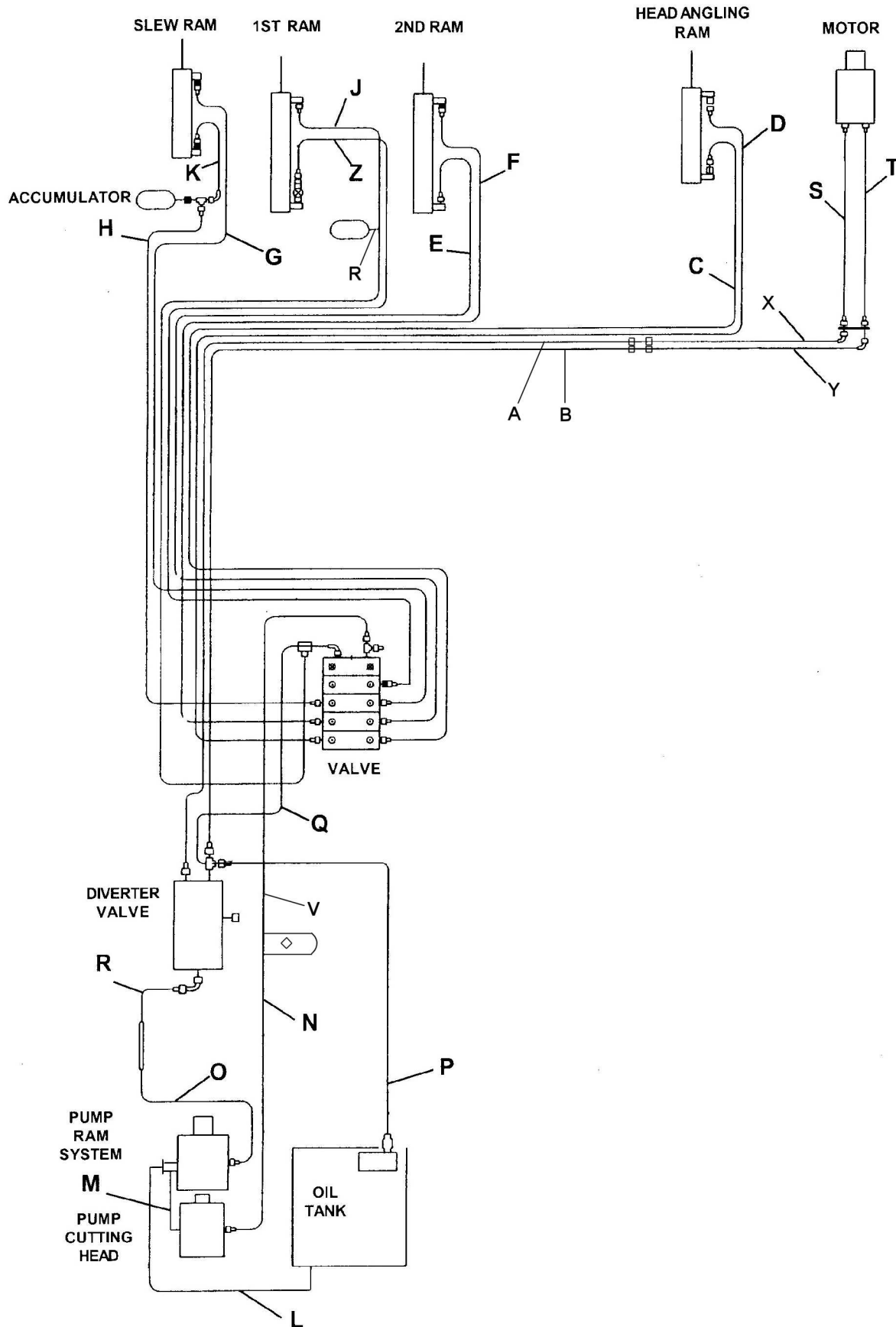
77.358.05 REV : A

47088.09 - HOSEKIT 5.0P RH 84L LPH			
ITEM	PART NO.	DESCRIPTION	QTY
A	10.025.73	HOSE 1"BSP ST 135 S.SEAL 6300	1
B	10.025.73	HOSE 1"BSP ST 135 S.SEAL 6300	1
C	10.002.63	HOSE 1/4"BSP STX90 S.SEAL 5300	1
D	10.002.63	HOSE 1/4"BSP STX90 S.SEAL 5300	1
E	10.002.36	HOSE 1/4"BSP STX90 S.SEAL 2600	1
F	10.002.36	HOSE 1/4"BSP STX90 S.SEAL 2600	1
G	10.002.25	HOSE 1/4"BSP STX90 S.SEAL 1500	1
H	10.002.24	HOSE 1/4"BSP STX90 S.SEAL 1400	1
L	10.024.12	HOSE 1.5" BSP ST X ST 500	1
N	10.004.23	HOSE 3/8"BSP STX90 S.SEAL 1300	1
O	10.010.24	HOSE 3/4"BSP STX90 S.SEAL 1400	1
P	10.022.49	HOSE 1"BSP STXST S.SEAL 220	1
Q	10.006.13	HOSE 1/2"BSP STX90 S.SEAL 650	1
S	10.011.26	HOSE 1"BSP STXST S.SEAL 1600	1
T	10.011.26	HOSE 1"BSP STXST S.SEAL 1600	1

ADDITIONAL COMPONENTS			
	7106187	NYLON STRAP HOSE	4



**This page is intentionally left blank.**



**HOSE KIT ASSY HARRIER PAR 84L**

**77.434.01 REV : A**

<b>47088.04 - HOSE KIT HARRIER PAR 84L RH</b>			
<b>ITEM</b>	<b>PART NO.</b>	<b>DESCRIPTION</b>	<b>QTY</b>
A	10.025.73	HOSE 1"BSP ST 135 S.SEAL 6300	1
B	10.025.73	HOSE 1"BSP ST 135 S.SEAL 6300	1
C	10.002.63	HOSE 1/4"BSP STX90 S.SEAL 5300	1
D	10.002.63	HOSE 1/4"BSP STX90 S.SEAL 5300	1
E	10.002.36	HOSE 1/4"BSP STX90 S.SEAL 2600	1
F	10.002.37	HOSE 1/4"BSP STX90 S.SEAL 2700	1
G	10.002.25	HOSE 1/4"BSP STX90 S.SEAL 1500	1
H	10.002.25	HOSE 1/4"BSP STX90 S.SEAL 1500	1
J	10.002.24	HOSE 1/4"BSP STX90 S.SEAL 1400	1
K	10.002.10	HOSE 1/4"BSP STX90 S.SEAL 500	1
L	10.024.18	1 1/2" SUCTION HOSE PLAIN X 440 LONG	1
M	10.009.12	HOSE 3/4"BSP STXST S.SEAL 600	1
N	10.004.20	HOSE 3/8"BSP STX90 S.SEAL 1000	1
O	10.021.14	3/4" HOSE COMPACT 90 X PLAIN 500	1
P	10.012.11	HOSE 1"BSP STX90 S.SEAL 550	1
Q	10.006.13	HOSE 1/2"BSP STX90 S.SEAL 650	1
S	10.011.26	HOSE 1"BSP STXST S.SEAL 1600	1
T	10.011.26	HOSE 1"BSP STXST S.SEAL 1600	1
Z	10.002.24	HOSE 1/4"BSP STX90 S.SEAL 1400	1

<b>ADDITIONAL COMPONENTS</b>			
	47080.01	3/4" STEEL HOSE RUBER HOSE ASSY	1
	7106187	NYLON STRAP HOSE	4

## HOSE SERV KIT ASSY

77.358.02 REV : A

47088.05 - HOSE SERV KIT FOR 90.284.56			
ITEM	PART NO.	DESCRIPTION	QTY
A	10.011.62	HOSE 1"BSP STXST S.SEAL 5200	1
B	10.011.62	HOSE 1"BSP STXST S.SEAL 5200	1
C	10.002.67	HOSE 1/4"BSP STX90 S.SEAL 5700	1
D	10.002.67	HOSE 1/4"BSP STX90 S.SEAL 5700	1
E	10.002.35	HOSE 1/4"BSP STX90 S.SEAL 2500	1
F	10.002.35	HOSE 1/4"BSP STX90 S.SEAL 2500	1
G	10.001.30	HOSE 1/4"BSP STXST S.SEAL 2000	1
H	10.001.30	HOSE 1/4"BSP STXST S.SEAL 2000	1
J	10.002.24	HOSE 1/4"BSP STX90 S.SEAL 1400	1
K	10.002.10	HOSE 1/4"BSP STX90 S.SEAL 500	1
L	10.024.02	HOSE 1.1/2"BSP STX90 S.SL 540	1
M	10.009.25	HOSE 3/4"BSP STXST S.SEAL 1500	1
N	10.004.23	HOSE 3/8"BSP STX90 S.SEAL 1300	1
O	10.012.14	HOSE 1"BSP STX90 S.SEAL 700	1
P	10.012.11	HOSE 1"BSP STX90 S.SEAL 550	1
Q	10.006.14	HOSE 1/2"BSP STX90 S.SEAL 700	1
R	10.004.10	HOSE 3/8"BSP STX90 S.SEAL 500	1
S	10.011.22	HOSE 1"BSP STXST S.SEAL 1200	1
T	10.011.22	HOSE 1"BSP STXST S.SEAL 1200	1
V	10.004.10	HOSE 3/8"BSP STX90 S.SEAL 500	1
X	10.025.21	HOSE 1"BSP STX135 S.SEAL 1100	1
Y	10.025.22	HOSE 1"BSP STX135 S.SEAL 1200	1
Z	10.002.24	HOSE 1/4"BSP STX90 S.SEAL 1400	1

ADDITIONAL COMPONENTS			
	43542.01	HOSE SLEEVE(350) X 830	1
	43542.02	HOSE SLEEVE(350) X 920	1
	43542.06	HOSE SLEEVE(350) X 1700	1
	43542.14	HOSE SLEEVE (350) X 1000	1
	48060.01	HYD LAYOUT FOR 90.284.56	0
	7106187	NYLON STRAP HOSE	2

## HOSE SERV KIT 84L RH

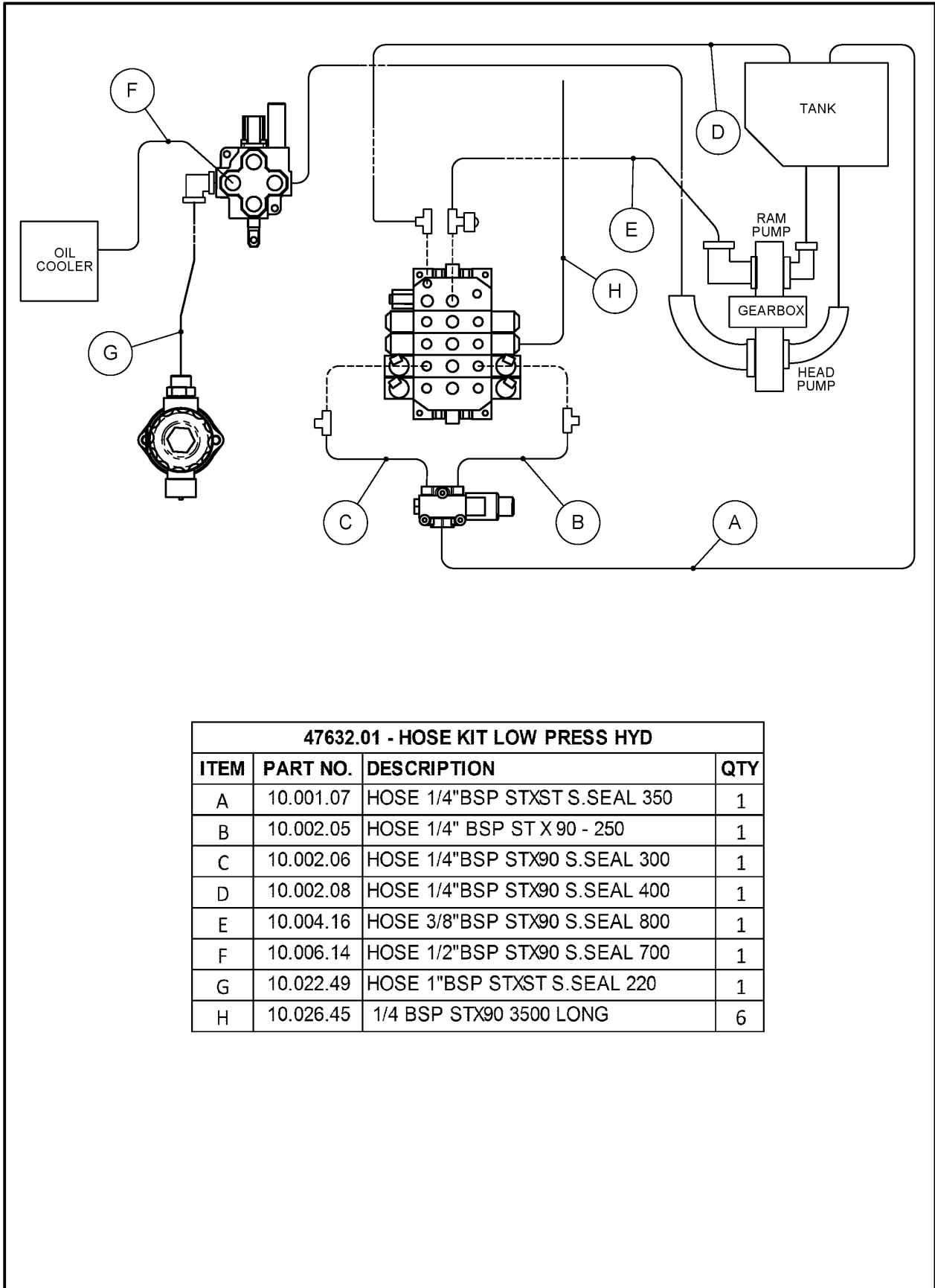
77.358.01 REV : A

47088.02 - HOSE KIT 5.0 RH 84L PS			
ITEM	PART NO.	DESCRIPTION	QTY
A	10.025.73	HOSE 1"BSP ST 135 S.SEAL 6300	1
B	10.025.73	HOSE 1"BSP ST 135 S.SEAL 6300	1
C	10.002.63	HOSE 1/4"BSP STX90 S.SEAL 5300	1
D	10.002.63	HOSE 1/4"BSP STX90 S.SEAL 5300	1
E	10.002.45	HOSE 1/4"BSP STX90 S.SEAL 3500	1
F	10.002.45	HOSE 1/4"BSP STX90 S.SEAL 3500	1
G	10.002.24	HOSE 1/4"BSP STX90 S.SEAL 1400	1
H	10.002.25	HOSE 1/4"BSP STX90 S.SEAL 1500	1
J	10.002.36	HOSE 1/4"BSP STX90 S.SEAL 2600	1
K	10.002.10	HOSE 1/4"BSP STX90 S.SEAL 500	1
L	10.024.18	1 1/2" SUCTION HOSE	1
M	10.009.12	HOSE 3/4"BSP STXST S.SEAL 600	1
N	10.004.20	HOSE 3/8"BSP STX90 S.SEAL 1000	1
O	10.021.14	3/4" HOSE COMPACT 90 X PLAIN 500	1
P	10.012.11	HOSE 1"BSP STX90 S.SEAL 550	1
Q	10.006.13	HOSE 1/2"BSP STX90 S.SEAL 650	1
S	10.011.26	HOSE 1"BSP STXST S.SEAL 1600	1
T	10.011.26	HOSE 1"BSP STXST S.SEAL 1600	1
Z	10.002.37	HOSE 1/4"BSP STX90 S.SEAL 2700	1

ADDITIONAL COMPONENTS			
	47080.02	3/4" STEEL HOSE RUBBER HOSE ASSY	1
	7106187	NYLON STRAP HOSE	4

HOSEKIT LOW PRESSURE HYD

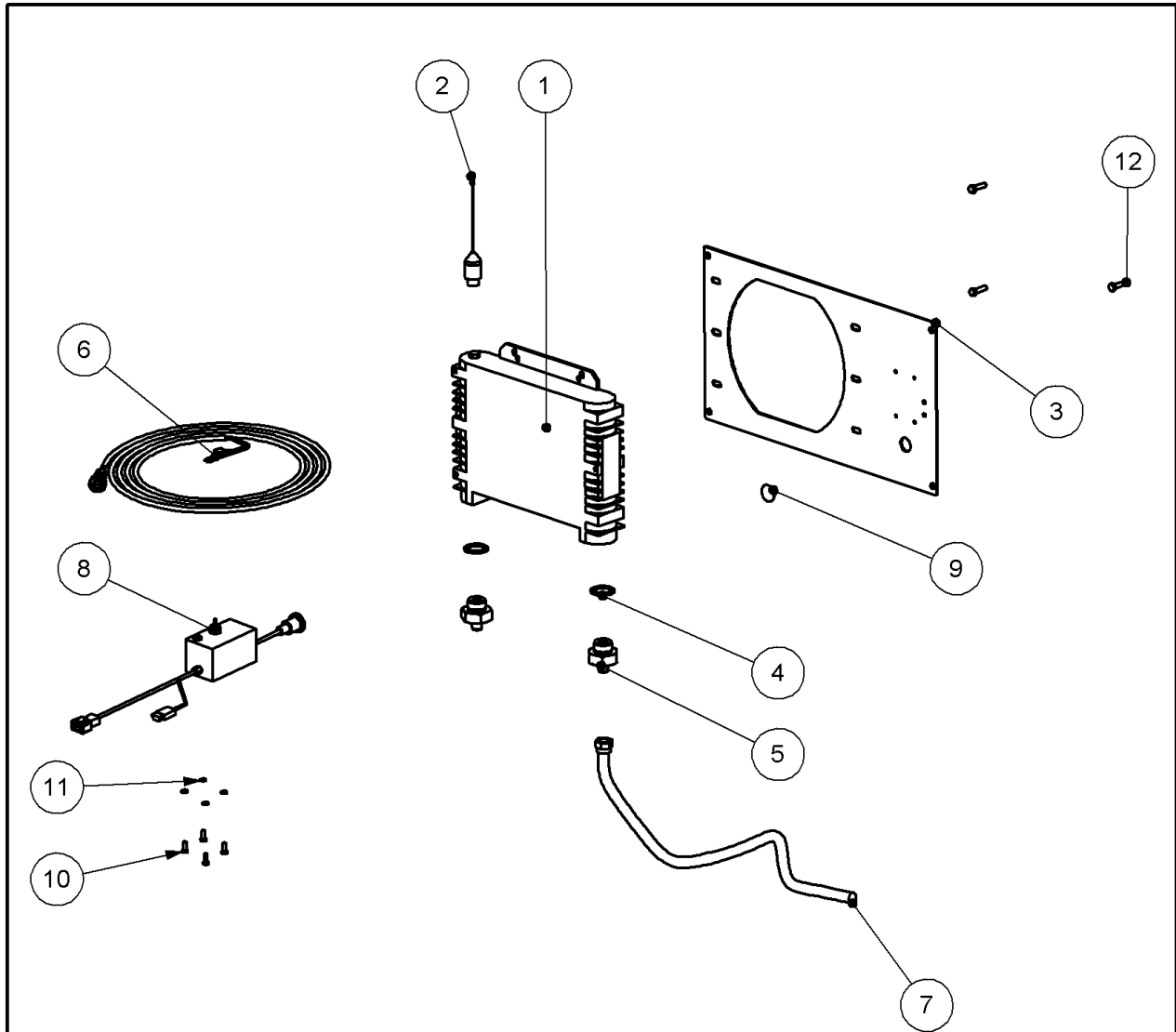
77.460.01 REV : A



47632.01 - HOSE KIT LOW PRESS HYD			
ITEM	PART NO.	DESCRIPTION	QTY
A	10.001.07	HOSE 1/4"BSP STXST S.SEAL 350	1
B	10.002.05	HOSE 1/4" BSP ST X 90 - 250	1
C	10.002.06	HOSE 1/4"BSP STX90 S.SEAL 300	1
D	10.002.08	HOSE 1/4"BSP STX90 S.SEAL 400	1
E	10.004.16	HOSE 3/8"BSP STX90 S.SEAL 800	1
F	10.006.14	HOSE 1/2"BSP STX90 S.SEAL 700	1
G	10.022.49	HOSE 1"BSP STXST S.SEAL 220	1
H	10.026.45	1/4 BSP STX90 3500 LONG	6

OIL COOLER ASSY EPP2 ONLY

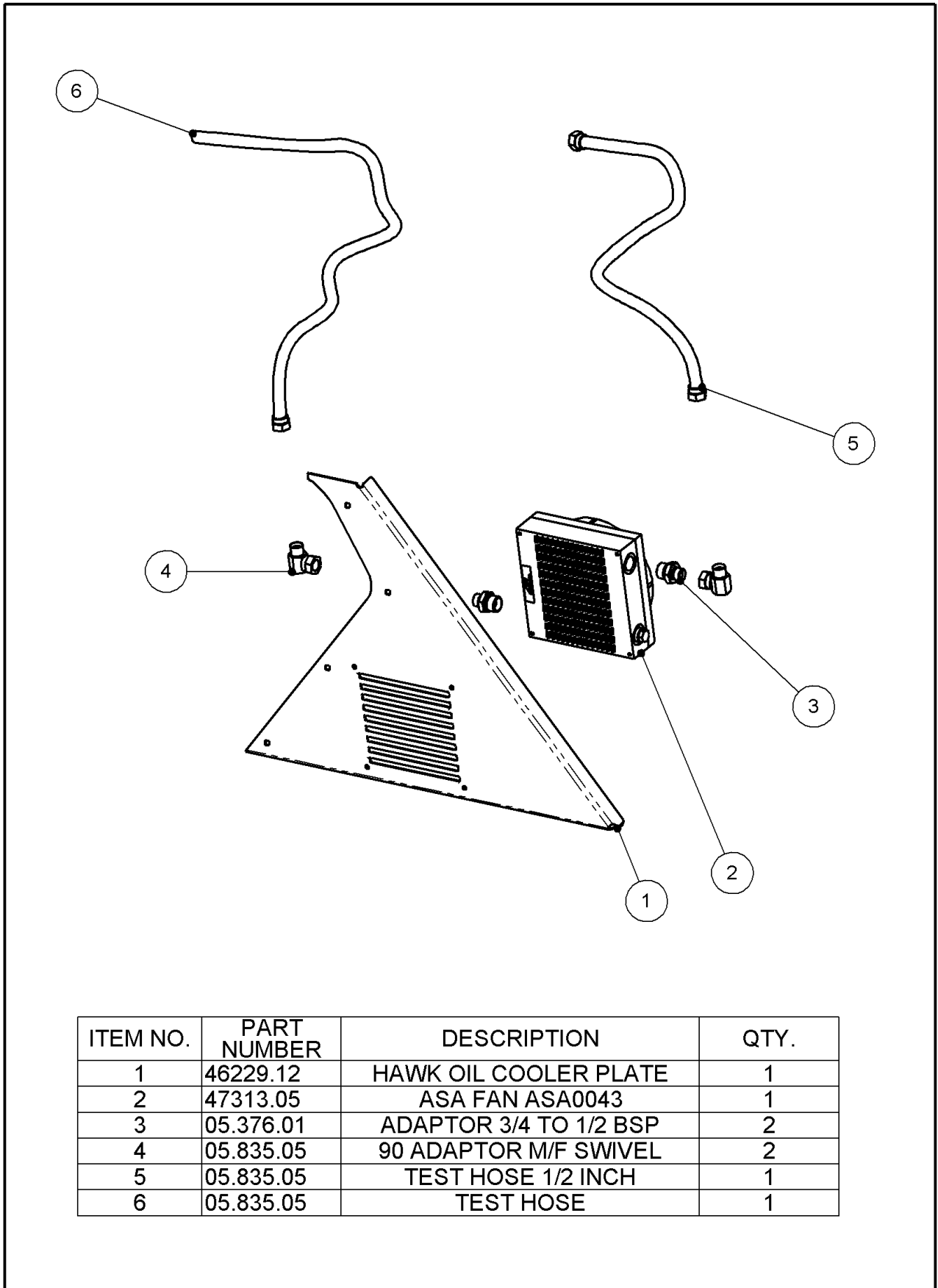
77.146.12 REV : A



ITEM NO.	PART NUMBER	DESCRIPTION	QTY.
1	47313.02	ASAHYDRAULIC ECO7	1
2	47313.03	THERMOSTAT	1
3	47379.01	MTG PLATE 3MM	1
4	05.290.07	BONDED SEAL 1" BSP	2
5	30.059.84	ADAPTOR	2
6	08.987.02	CABLE ASSY - 6.10M	1
7	10.006.20	HOSE 1/2" BSP STX90 S.SEAL 1000	1
8	42162.07	OIL COOLER - CABLE SWITCH EPP2	1
9	03.816.01	PLUG RUBBER 25mm DIA.	1
10	05.839.05	SETSCREW M6 X 16	4
11	05.282.07	SPRING WASHER M6	4
12	05.291.01	BOLT M8x30	3

OIL COOLER HAWK

77.120.04 REV : A

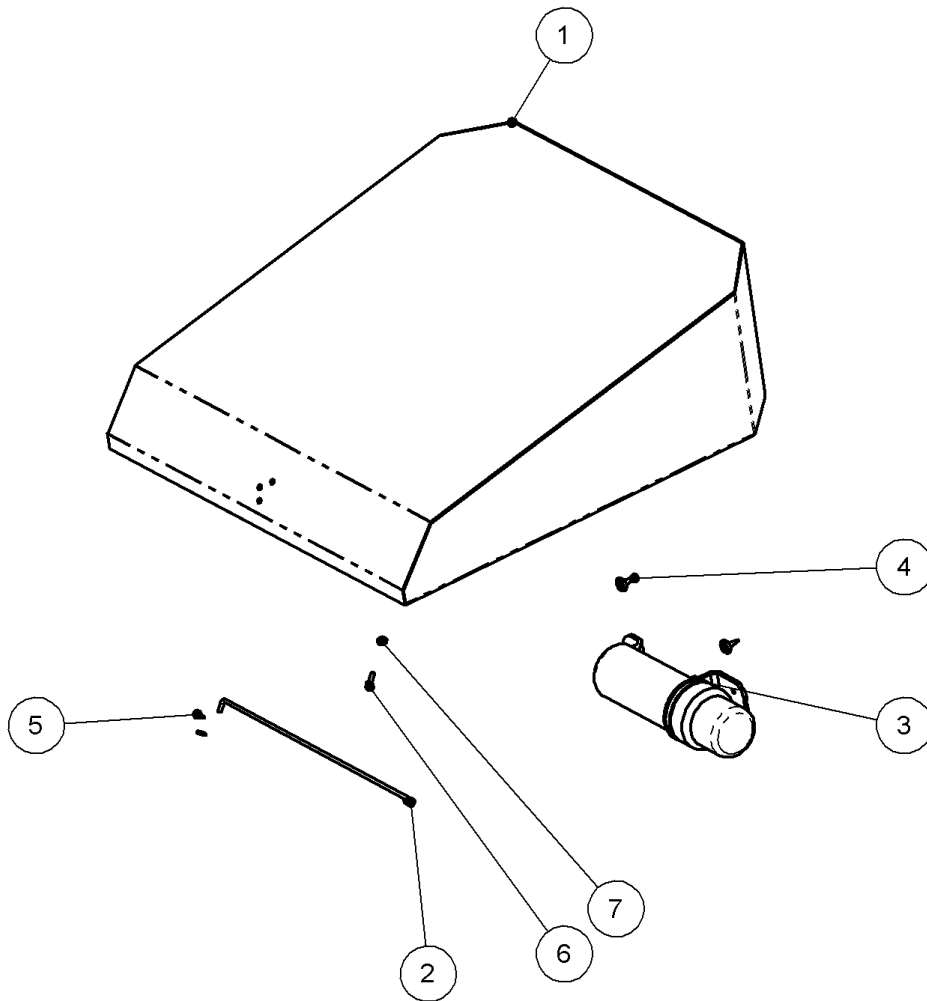


ITEM NO.	PART NUMBER	DESCRIPTION	QTY.
1	46229.12	HAWK OIL COOLER PLATE	1
2	47313.05	ASA FAN ASA0043	1
3	05.376.01	ADAPTOR 3/4 TO 1/2 BSP	2
4	05.835.05	90 ADAPTOR M/F SWIVEL	2
5	05.835.05	TEST HOSE 1/2 INCH	1
6	05.835.05	TEST HOSE	1



ECONOMY TANK LID HAWK

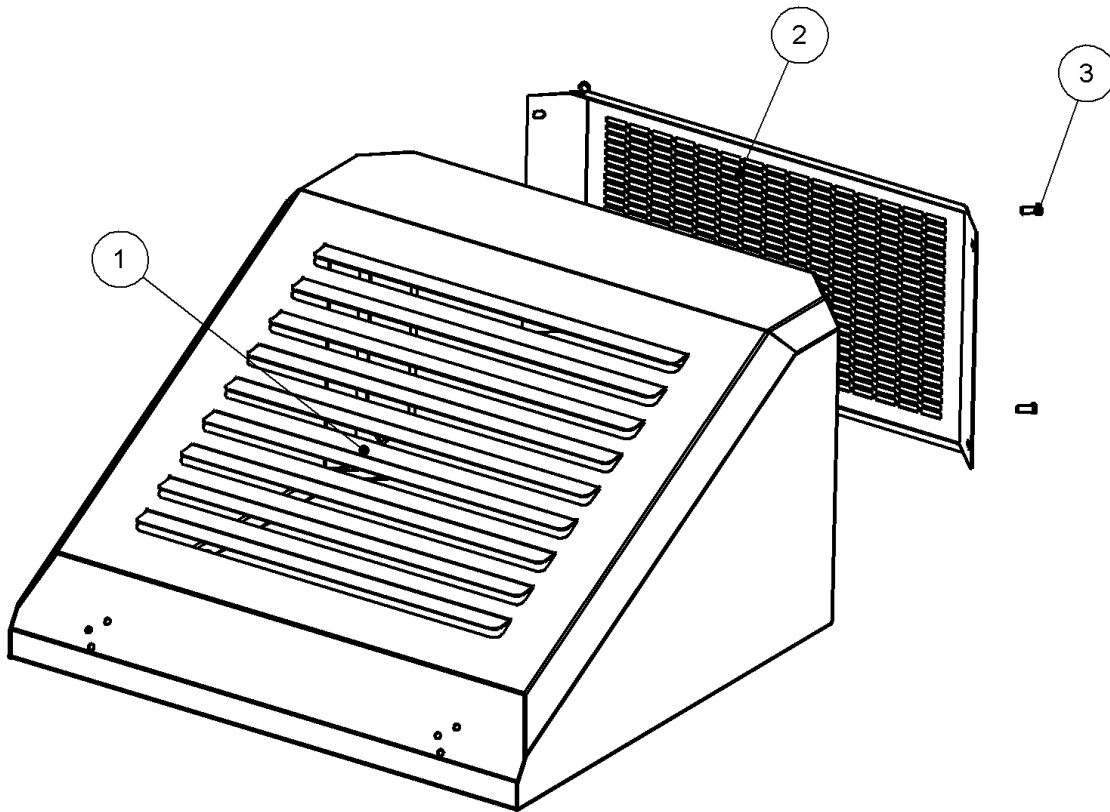
77.410.01 REV : B



ITEM NO.	PART NUMBER	DESCRIPTION	QTY.
1	46225.10	LOW COST LID	1
2	46074.01	STAY	1
3	46505.01	LITERATURE HOLDER	1
4	05.969.02	SELF-TAP SCREW No14 3/4"HEX HD	2
5	46192.01	PUSH ON RETAINER	2
6	05.893.05	M6 X 16MM SETSCREW	1
7	30.070.64	NUT NYLOC M6 Z/P	1

VENTED TANK LID-COOLER ASSY

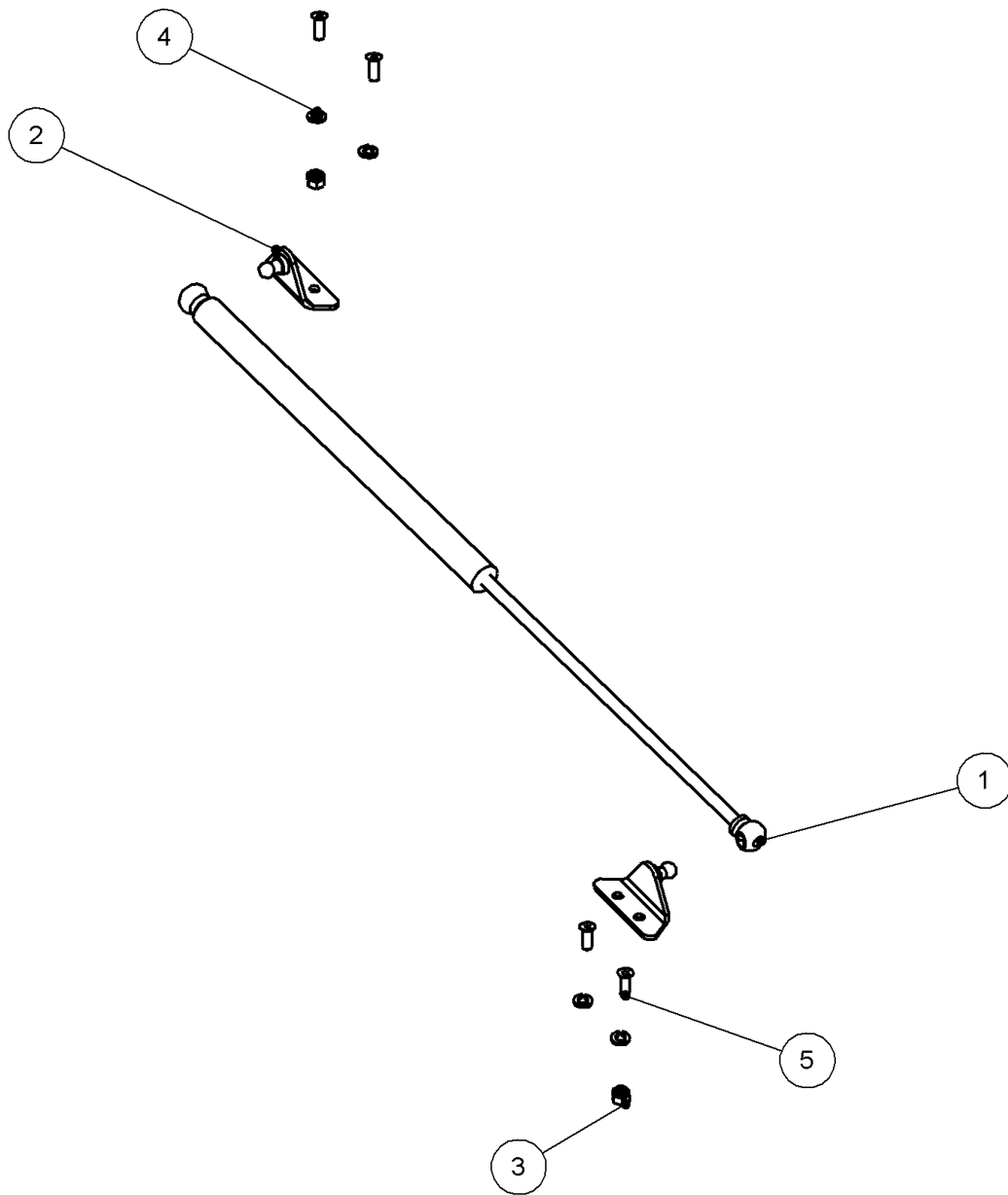
77.410.02 REV : B



ITEM NO.	PART NUMBER	DESCRIPTION	QTY.
1	47320.04	VENTED TANK LID	1
2	47320.10	COVER	1
3	05.625.31	SKT CAPSCREW M8x20	4

GAS STRUT FOR LID

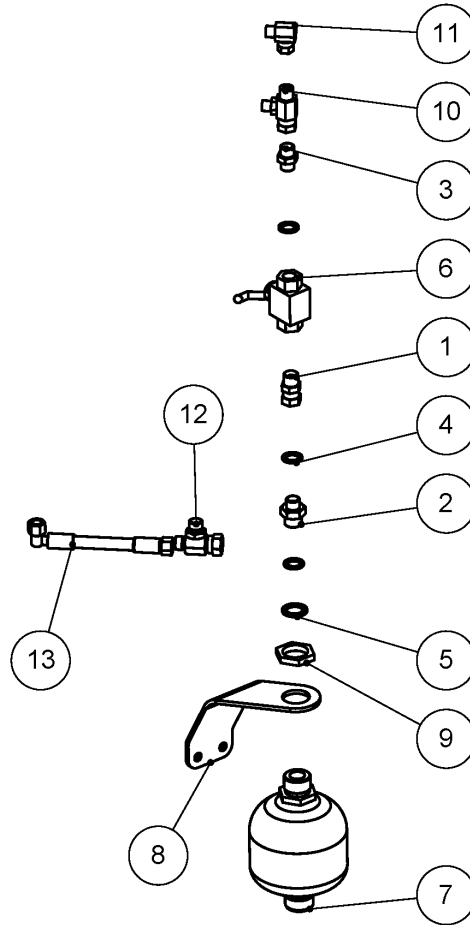
77.305.21 REV : A



ITEM NO.	PART NUMBER	DESCRIPTION	QTY.
1	46748.01	GAS SPRING ASSY	1
2	46765.01	GAS SPRING MTG BRACKET	2
3	30.070.64	NUT NYLOC M6 Z/P	2
4	05.282.07	SPRING WASHER M6	4
5	05.345.14	SOCKET CSK SCREW M6x16	4

ARMFLOAT ASSEMBLY SCHEDULE

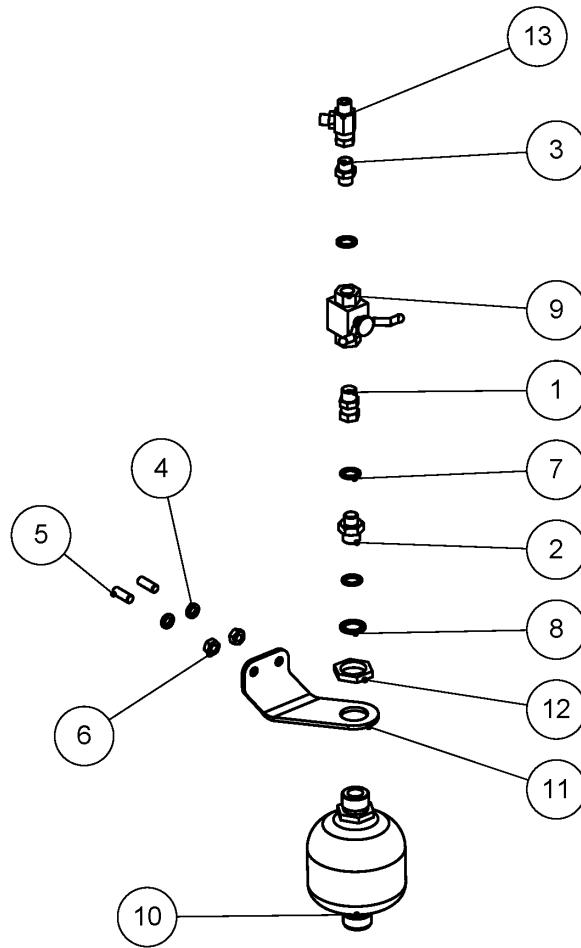
77.221.03 REV : A



ITEM NO.	PART NUMBER	DESCRIPTION	QTY.
1	02.714.01	ADAPTOR - SWIVEL	1
2	05.123.01	ADAPTOR 3/8"BSPx1/2"BSP	1
3	05.124.01	ADAPTOR 3/8"BSPx3/8"BSP	1
4	05.290.04	BONDED SEAL 3/8" BSP	3
5	05.290.05	BONDED SEAL 1/2" BSP	1
6	08.200.01	VALVE - ISOLATING	1
7	41451.02	ACCUMULATOR - 0.7LT (30 BAR)	1
8	46465.01	BRACKET - PLATE 5	1
9	8126035	NUT	1
10	04.056.16	TEE ADAPTOR FMM	1
11	05.835.04	90 ADAPTOR M/F SWIVEL	1
12	11.068.69	ADAPTOR TEE 3/8BSP MFM	1
13	10.004.21	1/4"BSP FS/F90 400	1

ARM FLOAT ASSEMBLY RH

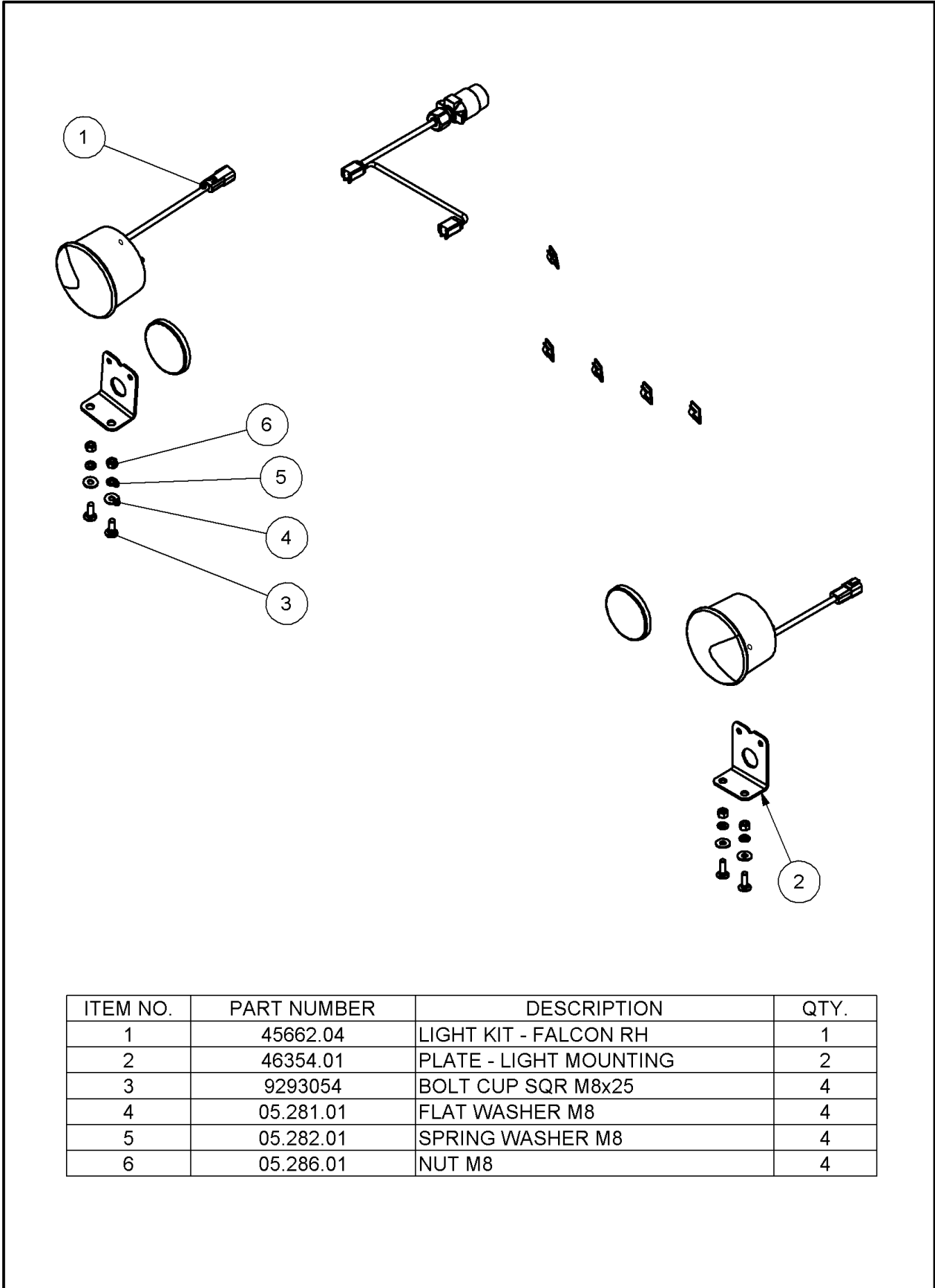
77.221.04 REV : A



ITEM NO.	PART NUMBER	DESCRIPTION	QTY.
1	02.714.01	ADAPTOR - SWIVEL	1
2	05.123.01	ADAPTOR 3/8"BSPx1/2"BSP	1
3	05.124.01	ADAPTOR 3/8"BSPx3/8"BSP	1
4	05.282.02	SPRING WASHER M10	2
5	04.282.24	STUD M10x29	2
6	05.286.02	NUT M10	2
7	05.290.04	BONDED SEAL 3/8" BSP	3
8	05.290.05	BONDED SEAL 1/2" BSP	1
9	08.200.01	VALVE - ISOLATING	1
10	41451.02	ACCUMULATOR - 0.7LT (30 BAR)	1
11	46465.02	BRACKET - PLATE 5	1
12	8126035	NUT	1
13	04.056.16	TEE ADAPTOR FMM	1

LIGHT KIT

77.212.02 REV : B



ITEM NO.	PART NUMBER	DESCRIPTION	QTY.
1	45662.04	LIGHT KIT - FALCON RH	1
2	46354.01	PLATE - LIGHT MOUNTING	2
3	9293054	BOLT CUP SQR M8x25	4
4	05.281.01	FLAT WASHER M8	4
5	05.282.01	SPRING WASHER M8	4
6	05.286.01	NUT M8	4

**This page is intentionally left blank.**

DECALS - ENGINEERING

77.138.01 REV : A

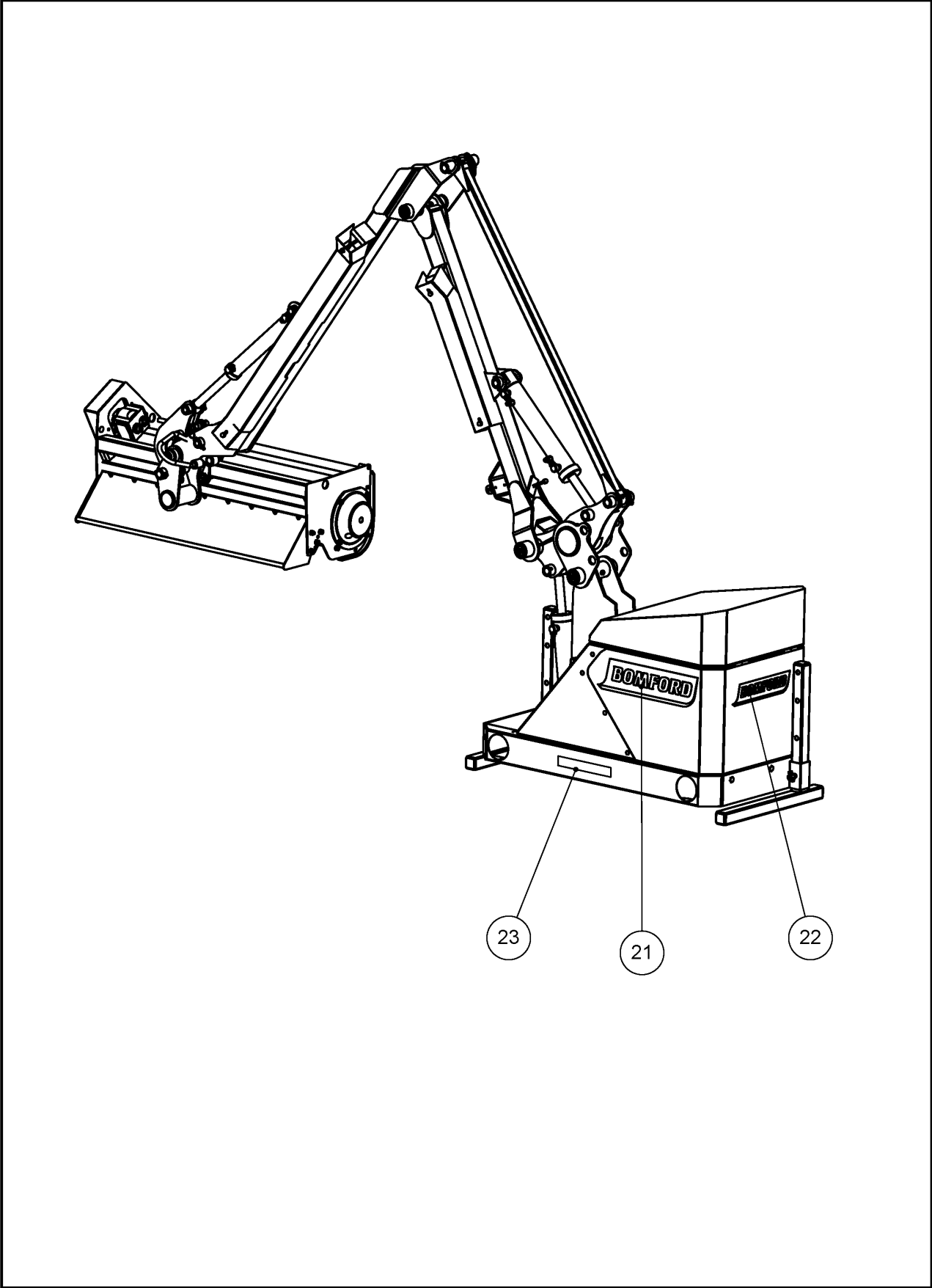
ITEM NO.	PART NUMBER	DESCRIPTION	QTY.
1	08.632.01	DECAL - TRANSPORT	1
2	09.811.04	DECAL - 540 MAX ACW	1
3	09.821.28	DECALS - EURO DECAL MINIATURISED	1
4	09.821.32	DECALS - EURO DECAL MINIATURISED	1
5	09.821.33	DECALS - EURO DECAL MINIATURISED	1
6	09.821.34	09.821.34	1
7	09.843.06	DECAL - LIFT POINT 1500 KG	1
8	09.845.01	DECAL - APPROVED OILS	1
9	09.846.02	DECAL - OIL FILTER CHANGE	1
10	46.681.01	DECAL - LEG POSITION WHEN PARKED	1

77.345.01/02 DECALS MARKETING - HARRIER

21	45645.01	DECAL - BOMFORD (72MM FONT)	1
22	45645.02	DECAL - BOMFORD (50MM FONT)	1
23	47071.01	DECAL - HARRIER	1

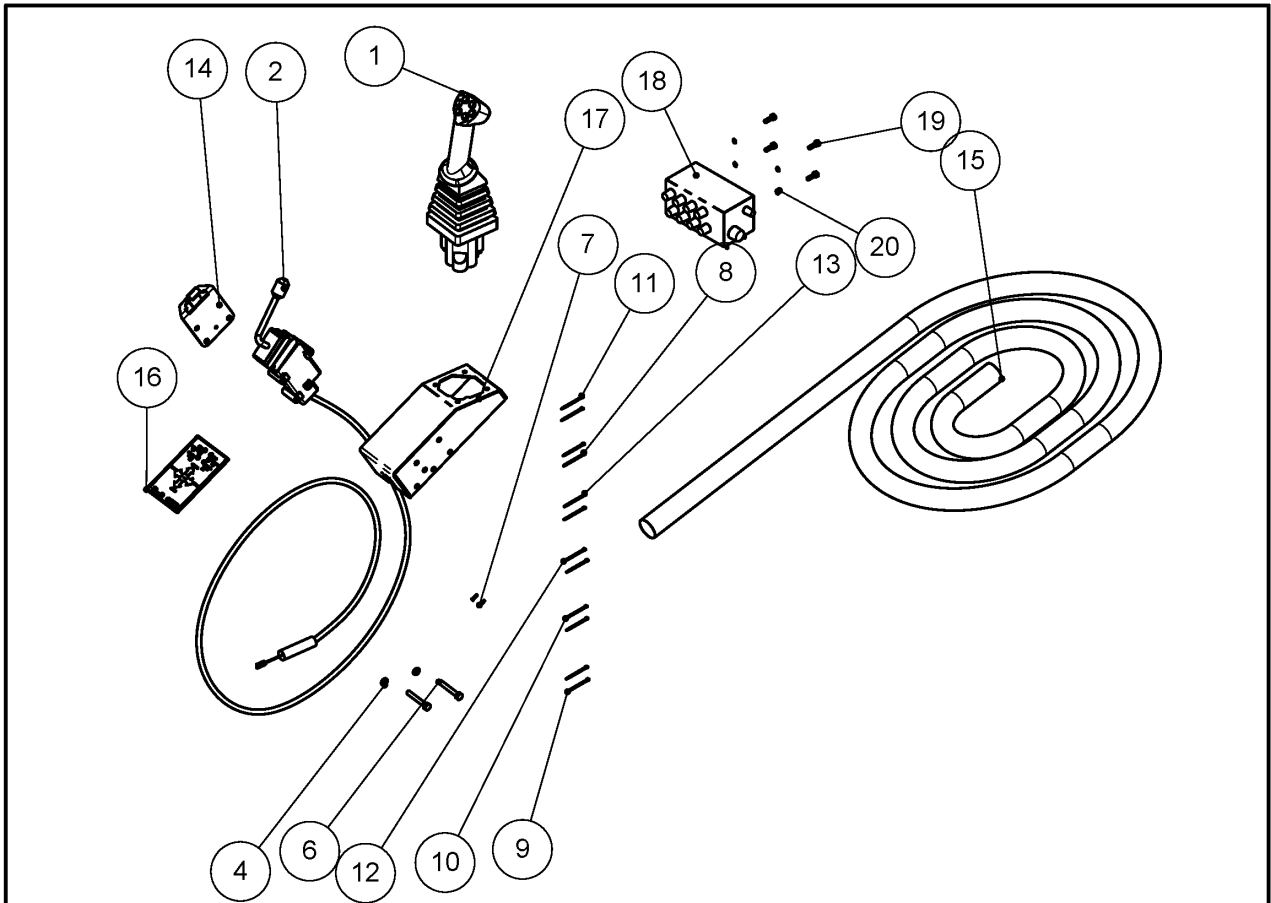


MARKETING DECALS  
77.345.01 REV A



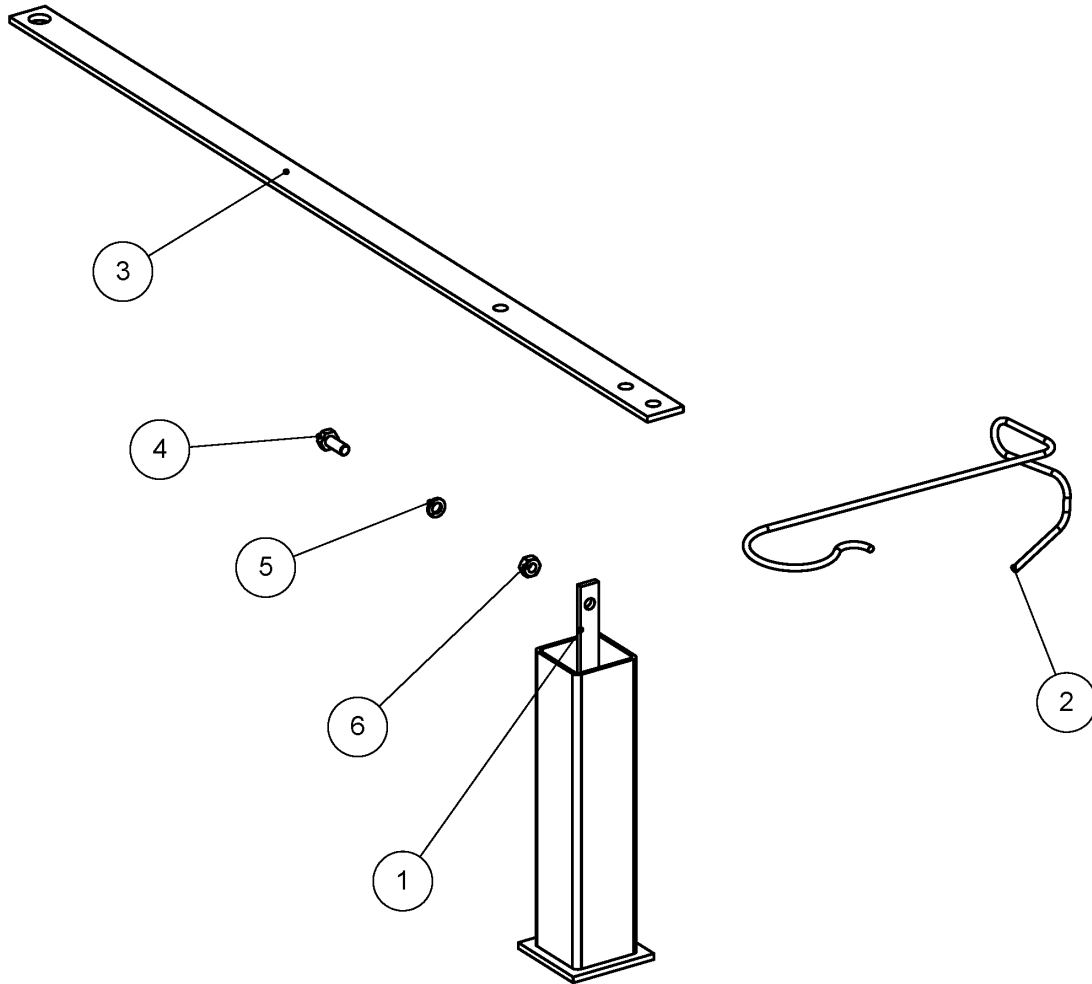
JOYSTICK ASSY LOWPRESHYD

77.456.01 REV : A



ITEM NO.	PART NUMBER	DESCRIPTION	QTY.
1	199.330	ELECTRO HYDRAULIC JOYSTICK	1
2	04.265.94	R.C.ASSY4.0M SHT RED SD14 9069	1
3	05.129.01	ADAPTOR 1/4"BSPx1/4"BSP	6
4	05.282.01	SPRING WASHER M8	2
5	05.290.02	BONDED SEAL 1/4" BSP	6
6	05.291.07	BOLT M8x60	2
7	05.839.40	M3 X 12 BOLT 0.5 PITCH	2
8	06.963.01	CABLE TIE SMALL	2
9	06.693.02	CABLE TIE SMALL	2
10	06.693.03	CABLE TIE SMALL	2
11	06.693.04	CABLE TIE SMALL	2
12	06.693.06	CABLE TIE SMALL	2
13	06.693.07	CABLE TIE SMALL	2
14	42511.01	LEVER BALKING ASSY	1
15	43543.13	HOSE SLEEVE 3100	1
16	47651.01	DECAL	1
17	47663.01	BRACKET JOYSTICK	1
18	47646.01	LOOM ELECTRIC HARNESS	1
19	30.068.83	SETSCREW M6 X 20MM	4
20	30.070.64	NUT NYLOC M6 Z/P	4

TRANSPORT BASE  
77.143.02 REV : A



ITEM NO.	PART NUMBER	DESCRIPTION	QTY.
1	08.694.01	STAY - TRANSPORT	1
2	21160.03	PTO HOOK	1
3	46189.01	STRAP - TRANSPORT	1
4	05.264.12	SETSCREW M10x25	1
5	05.282.02	SPRING WASHER M10	1
6	05.286.02	NUT M10	1