

PM1926
(77.315.25)

HARRIER

4.7 & 5.0
ARM MOWERS
PARTS MANUAL
ISSUE 4

IMPORTANT

NOTE HERE THE SERIAL NUMBER OF YOUR MACHINE AND ALWAYS QUOTE IT IN ANY COMMUNICATION WITH US OR YOUR DEALER. THIS IS PARTICULARLY IMPORTANT WHEN ORDERING SPARES. REMEMBER TO INCLUDE ALL NUMBERS AND LETTERS.

MACHINE SERIAL NUMBERS _____

THE INFORMATION GIVEN THROUGHOUT THIS MANUAL IS CORRECT AT THE TIME OF PUBLICATION. HOWEVER, IN THE COURSE OF CONSTANT DEVELOPMENT OF BOMFORD TURNER MACHINES, CHANGES IN SPECIFICATION ARE INEVITABLE. SHOULD YOU FIND THE INFORMATION GIVEN IN THIS BOOK TO BE AT VARIANCE WITH THE MACHINE IN YOUR POSSESSION, YOU ARE ADVISED TO CONTACT THE BOMFORD TURNER SERVICE DEPARTMENT WHERE UP-TO-DATE INFORMATION WILL BE PROVIDED.

THE MANUAL CAN CONTAIN STANDARD AND OPTIONAL FEATURES AND IS NOT TO BE USED AS A MACHINE SPECIFICATION.

THE MACHINE HAS BEEN TESTED AND IS CONSIDERED SAFE IF CAREFULLY USED. ENSURE YOUR OPERATOR IS PROPERLY TRAINED IN ITS USE AND MAINTENANCE.

IMPORTANT

NOTEZ ICI LES NUMEROS DE SERIE DE VOTRE MACHINE ET MENTIONNEZ LES DANS TOUTE COMMUNICATION AVEC NOS SERVICES OU VOTRE REVENDEUR. CECI EST IMPORTANT POUR LA COMMANDE DE PIECES DETACHEES. PENSEZ A NOTER TOUS LES NUMEROS ET TOUTES LES LETTERS.

NUMEROS DE SERIE DE LA MACHINE _____

LES INFORMATIONS DONNEES DANS CE MANUEL SONT CORRECTES CEPENDANT, DU FAIT DE DEVELOPPEMENT CONSTANT DES MACHINES BOMFORD TURNER.

CHANGEMENTS DANS LES CARACTERISTIQUES SONT INEVITABLES.

SI VOUS TROUVEZ QUE LES INFORMATIONS DONNEES NE CORRESPONDENT PAS A VOTRE MACHINE VEUILLEZ CONTACTER LE SERVICE DES REPARATIONS OU DES INFORMATIONS PLUS RECENTES VOUS SERONT DONNEES.

CE MANUEL PEUT MONTRER DES CARACTERISTIQUES OPTIONNELLES ET NE PEUT PAS ETRE CONSIDERE COMME SPECIFICATION DE LA MACHINE.

CETTE MACHINE A ETE TESTEE, ET ELLE EST CONSIDEREE COMME FIABLE A CONDITION D'UNE BONNE UTILISATION. ASSUREZ-VOUS QUE VOTRE OPERATEUR EST QUALIFIE EN CE QUI CONCERNE L'UTILISATION DE LA MACHINE AINSI QUE SON ENTRETIEN.

WICHTIG

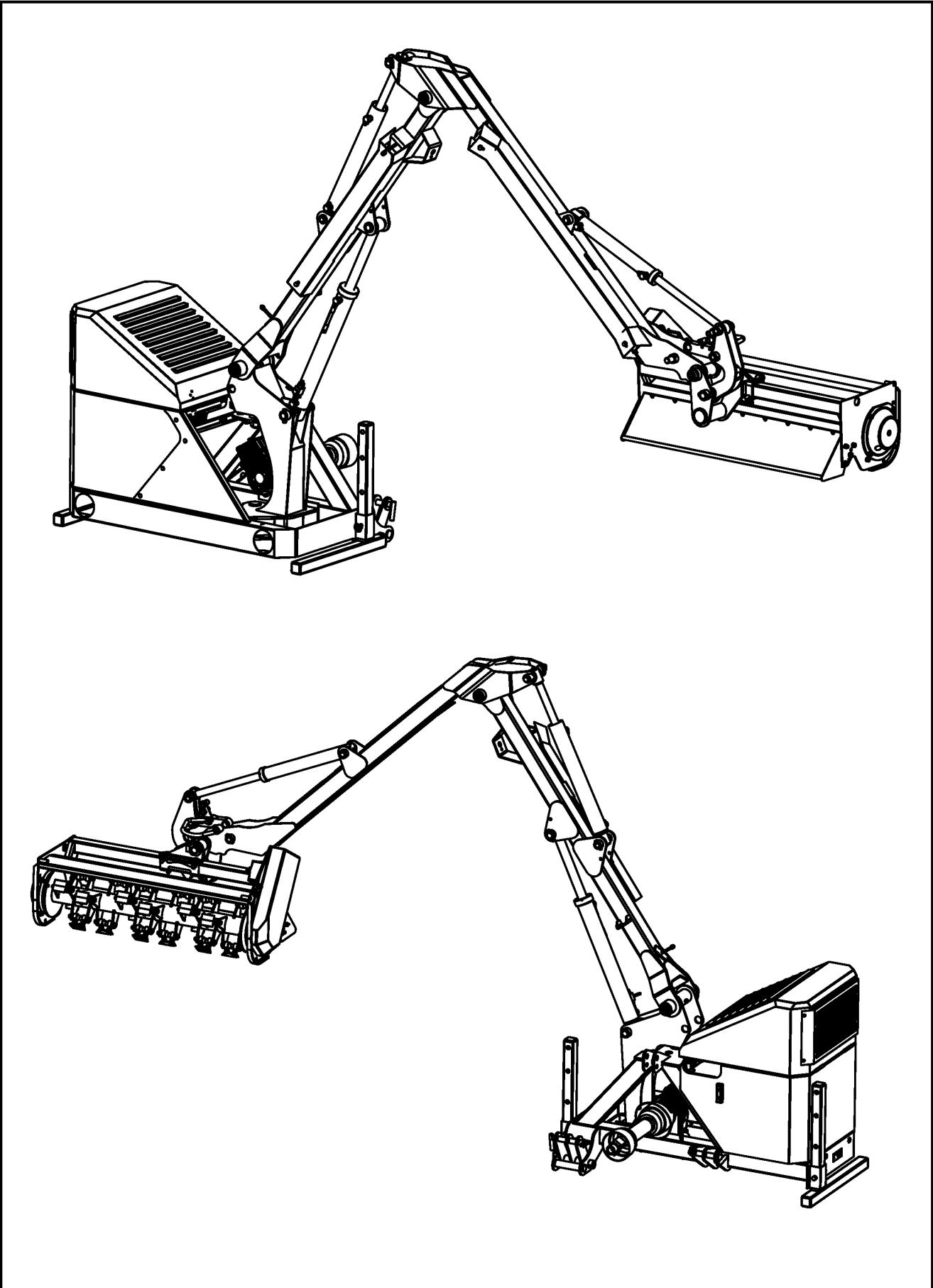
TRAGEN SIE HIER DIE SERIENNUMMERN IHRER MASCHINE EIN UND GEBEN SIE DIESE IMMER AN, WENN SIE SICH AN UNS ODER IHREN HÄNDLER WENDEN. DAS IST BESONDERS BEI ERSATZTEILBESTELLUNGEN WICHTIG. VERGESSEN SIE NICHT, ALLE ZAHLEN UND BUCHSTABEN ZU NOTIEREN.

SERIENNUMMERN DER MASCHINE _____

DIE ANGABEN INDIESEM HANDBUCH SIND BEI VERÖFFENTLICHUNG KORREKT. AUFGRUND DER KONSTANTEN WEITERENTWICKLUNG VON BOMFORD TURNER MASCHINEN SIND JEDOCHÄNDERUGDEN IN DER SPEZIFIKATION UNVERMEIDLICH. WENN DIE INFORMATION IN DIESEM HANDBUCH NICHT MIT IHRER MASCHINE ÜBEREINSTIMMEN, NEHMEN SIE BITTE KONTAKT MIT DER BOMFORD TURNER KUNDENDIENSTABTEILUNG AUF, DIE IHNEN GERNE DIE AKTUELLEN INFORMATION ZUKOMMEN LÄSST.

DAS HANDBUCH KANN SOWOHL BESCHREIBUNGEN FÜR DIE STANDARD AUSFÜHRUNG ALS AUCH FÜR ZUBEHÖR ENTHALTEN UND IST NICHT ALS MASCHINENSPEZIFIKATION ZU VERWENDET.

DIE MASCHINE IST GETESTET UND BEI SACHGEMÄSSEM BETRIEB ALS SICHER BEFUNDEN WORDEN. SORGEN SIE DAFÜR, DASS IHR BEDIENPERSONAL IN ANWENDUNG UND WARTUNG RICHTIG GESCHULT WIRD.



HARRIER RANGE OF ARM MOWERS

PAGE ILLUSTRATION NUMBERS SHOWN ARE USED ONLY FOR REFERENCE PURPOSES
AND SHOULD NOT BE USED FOR ORDERING SPARE PARTS.
PLEASE ENSURE THE CORRECT PART NUMBER AND DESCRIPTION IS GIVEN WHEN
ORDERING SPARE PARTS.

For Machines with Serial Numbers commencing from 1179S/05..

SECTION NO	DESCRIPTION
2	MAINFRAME ASSEMBLIES
3	3 POINT LINKAGE KITS
4	TANK ASSEMBLY
5	KING POST ASSEMBLY
6	ARM ASSEMBLIES
7	COWL BRACKET AND LINKAGE
8	PUMP, GEARBOX & PUMP CIRCUITS
9	CONTROL VALVE ASSEMBLIES
10	CABLE CONTROL ASSEMBLIES
11	EPPII CONTROL ASSEMBLIES
12	RAM CIRCUITS
13	HOSE CIRCUITS
14	OIL COOLER
15	ARM FLOAT KIT
16	LIGHTING KITS
17	DECALS
18	JOYSTICK ASSY
19	TRANSPORT BASE

IMPORTANT

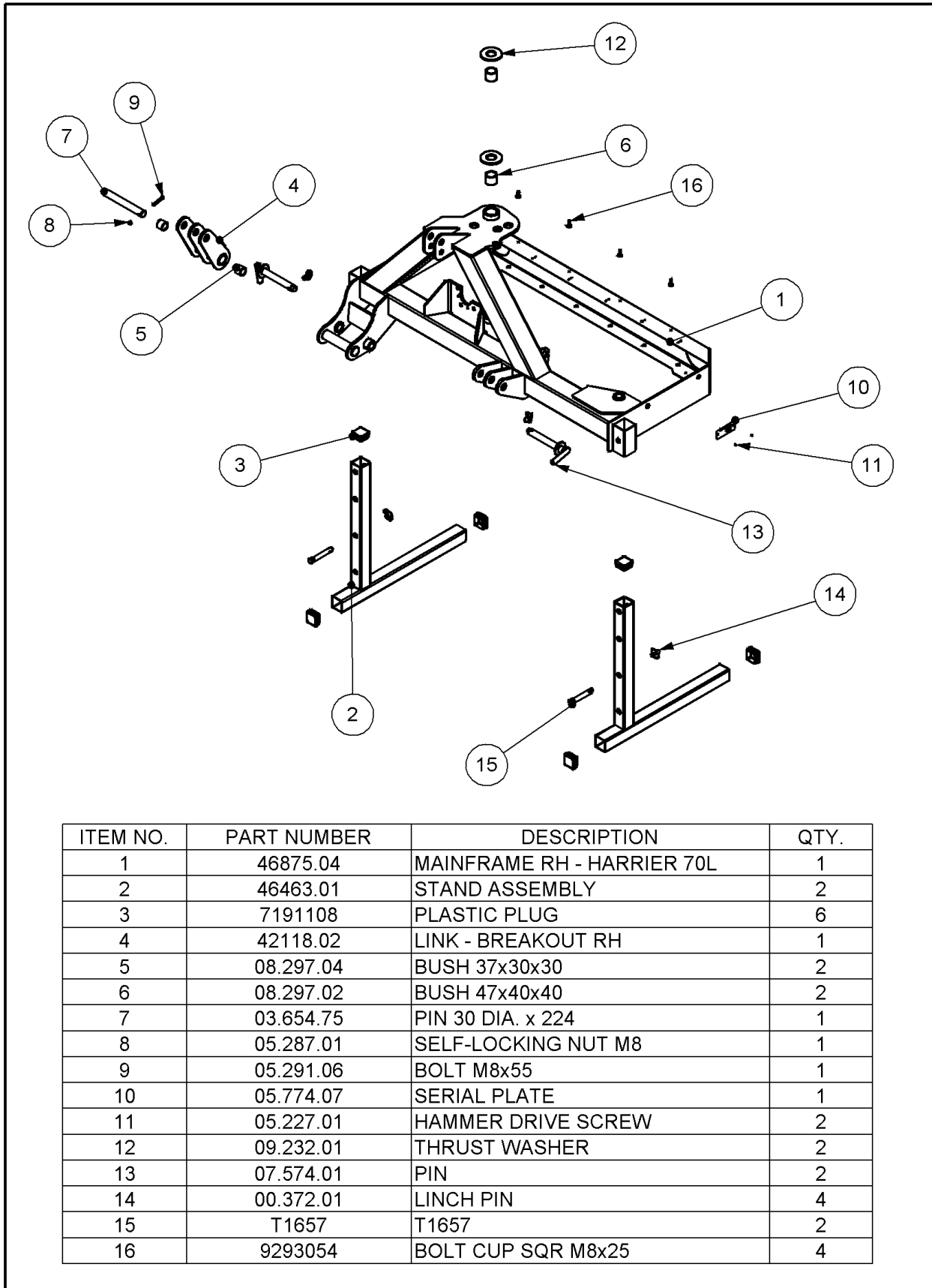
THIS MACHINE IS FOR VEGETATION CONTROL AND MUST NOT BE USED FOR ANY OTHER
PURPOSE.

IT IS POTENTIALLY HAZARDOUS TO FIT OR USE ANY PARTS OTHER THAN GENUINE
BOMFORD TURNER PARTS.

THE COMPANY DISCLAIMS ALL LIABILITY FOR THE CONSEQUENCES OF SUCH USE
WHICH, IN ADDITION, VOIDS THE MACHINE WARRANTY.

MAINFRAME ASSY RH HARRIER

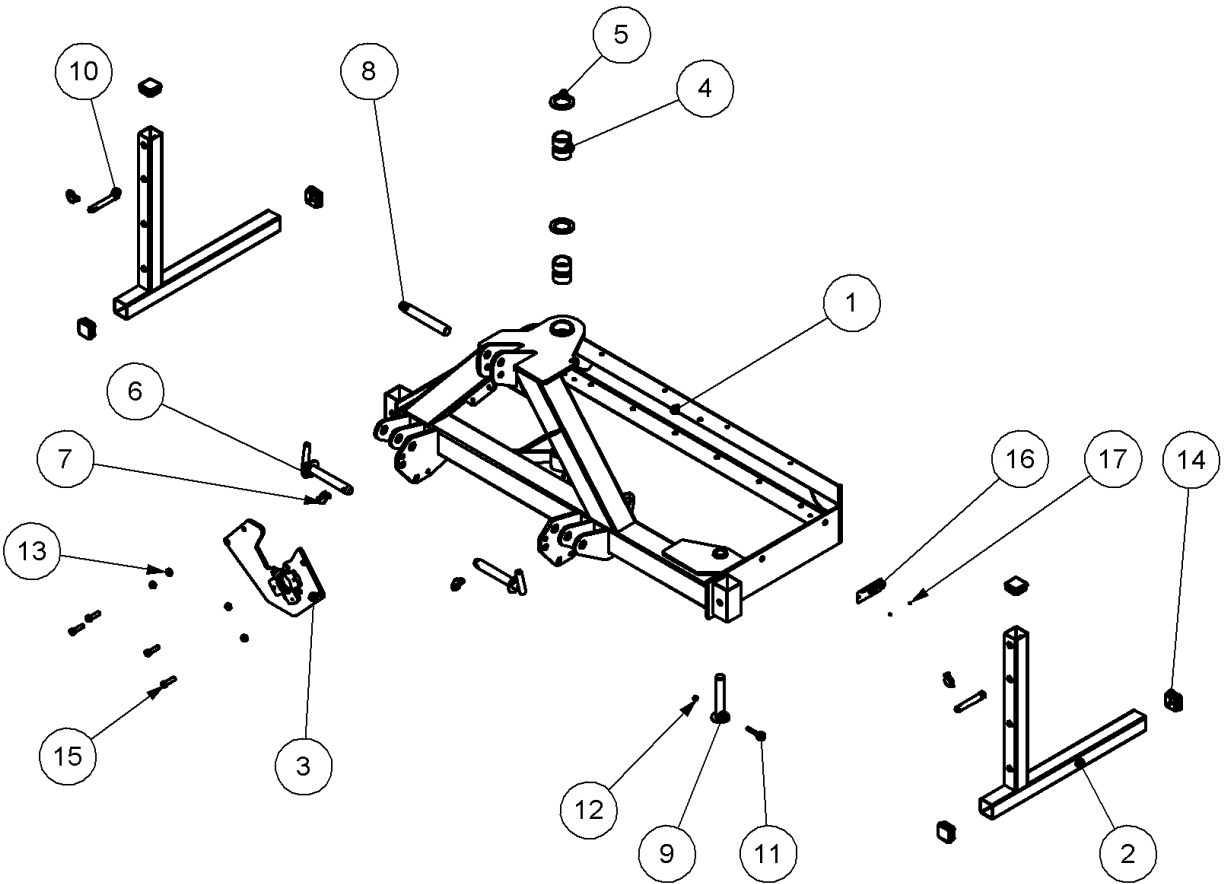
77.302.02 REV : A



ITEM NO.	PART NUMBER	DESCRIPTION	QTY.
1	46875.04	MAINFRAME RH - HARRIER 70L	1
2	46463.01	STAND ASSEMBLY	2
3	7191108	PLASTIC PLUG	6
4	42118.02	LINK - BREAKOUT RH	1
5	08.297.04	BUSH 37x30x30	2
6	08.297.02	BUSH 47x40x40	2
7	03.654.75	PIN 30 DIA. x 224	1
8	05.287.01	SELF-LOCKING NUT M8	1
9	05.291.06	BOLT M8x55	1
10	05.774.07	SERIAL PLATE	1
11	05.227.01	HAMMER DRIVE SCREW	2
12	09.232.01	THRUST WASHER	2
13	07.574.01	PIN	2
14	00.372.01	LINCH PIN	4
15	T1657	T1657	2
16	9293054	BOLT CUP SQR M8x25	4

MAINFRAME ASSY RH

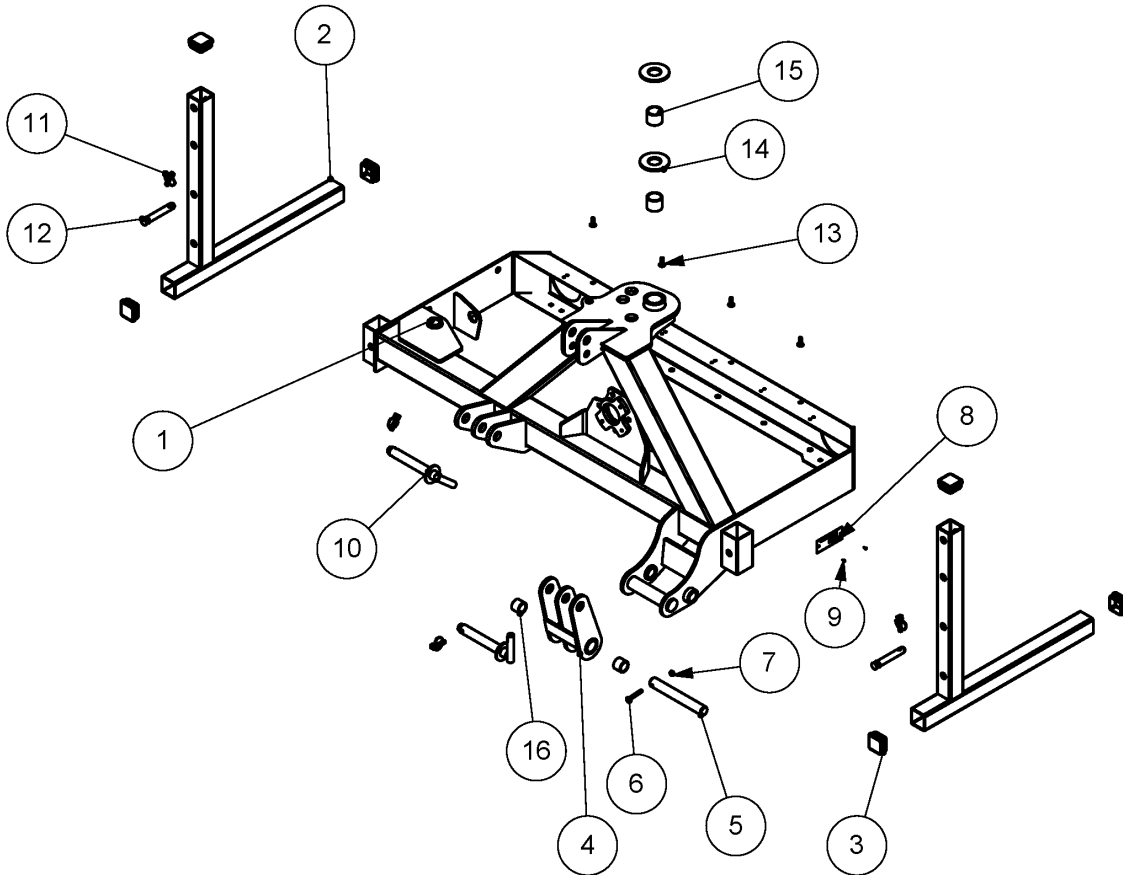
77.443.02 REV : A



ITEM NO.	PART NUMBER	DESCRIPTION	QTY.
1	47490.02	MAINFRAME RH LW	1
2	46463.01	STAND ASSEMBLY	2
3	47492.02	GEARBOX MTG PLATE	1
4	08.297.13	BUSH 60X50X30	4
5	09.918.01	THRUST WASHER	2
6	07.574.01	PIN	2
7	00.372.01	LINCH PIN	4
8	03.654.96	PIN 30 DIA X 198	1
9	03.654.94	PIN 30 DIA X 166	1
10	T1657	T1657	2
11	05.291.06	BOLT M8x55	1
12	05.287.01	SELF-LOCKING NUT M8	1
13	05.287.03	SELF-LOCKING NUT M12	4
14	7191108	PLASTIC PLUG	6
15	05.264.26	SETSCREW M12x45	4
16	05.774.07	SERIAL PLATE	1
17	05.227.01	HAMMER DRIVE SCREW	2

MAINFRAME ASSY LH HARRIER

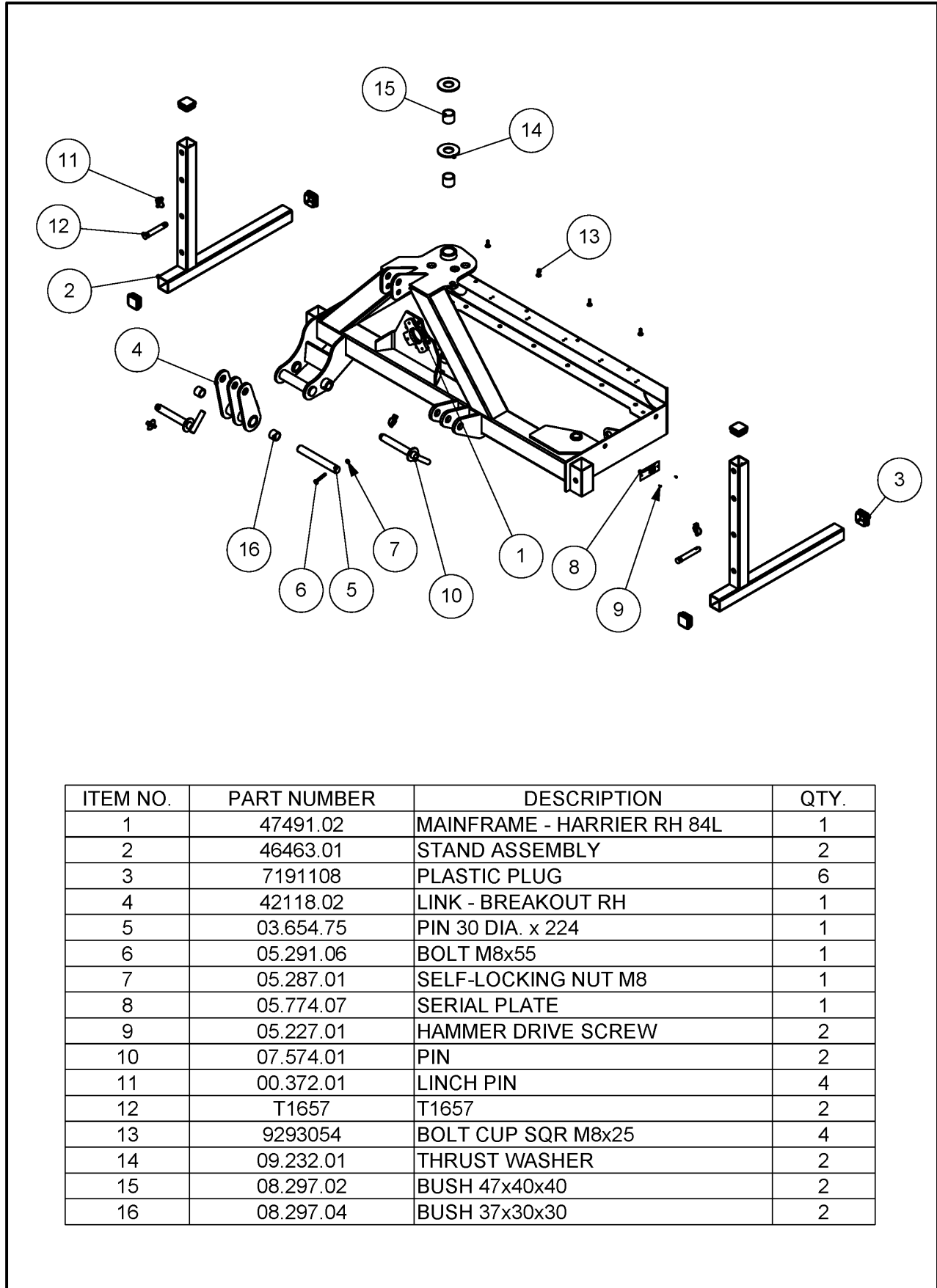
77.442.01 REV : A



ITEM NO.	PART NUMBER	DESCRIPTION	QTY.
1	47491.01	MAINFRAME - HARRIER LH 84L	1
2	46463.01	STAND ASSEMBLY	2
3	7191108	PLASTIC PLUG	6
4	42118.01	LINK - BREAKOUT LH	1
5	03.654.75	PIN 30 DIA. x 224	1
6	05.291.06	BOLT M8x55	1
7	05.287.01	SELF-LOCKING NUT M8	1
8	05.774.07	SERIAL PLATE	1
9	05.227.01	HAMMER DRIVE SCREW	2
10	07.574.01	PIN	2
11	00.372.01	LINCH PIN	4
12	T1657	T1657	2
13	9293054	BOLT CUP SQR M8x25	4
14	09.232.01	THRUST WASHER	2
15	08.297.02	BUSH 47x40x40	2
16	08.297.04	BUSH 37x30x30	2

MAINFRAME ASSY RH HARRIER

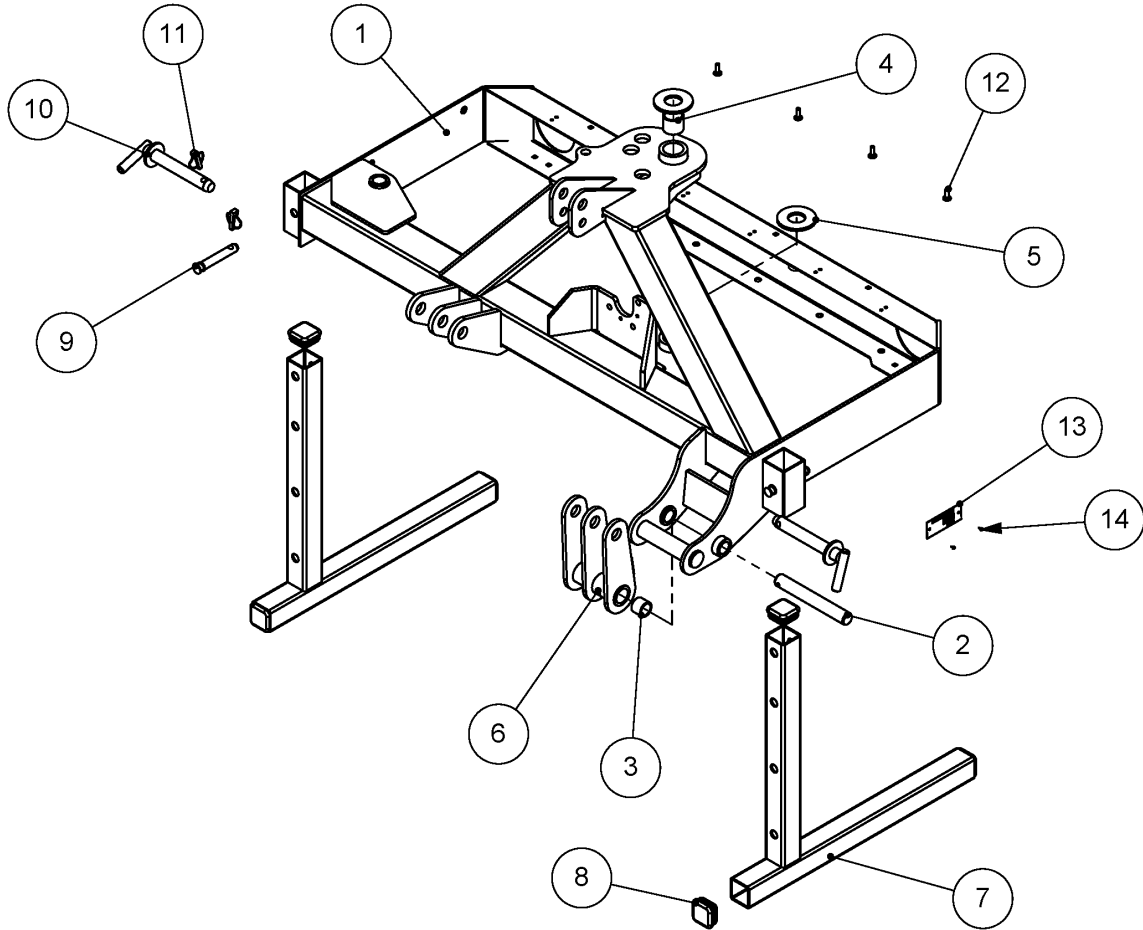
77.442.02 REV : A



ITEM NO.	PART NUMBER	DESCRIPTION	QTY.
1	47491.02	MAINFRAME - HARRIER RH 84L	1
2	46463.01	STAND ASSEMBLY	2
3	7191108	PLASTIC PLUG	6
4	42118.02	LINK - BREAKOUT RH	1
5	03.654.75	PIN 30 DIA. x 224	1
6	05.291.06	BOLT M8x55	1
7	05.287.01	SELF-LOCKING NUT M8	1
8	05.774.07	SERIAL PLATE	1
9	05.227.01	HAMMER DRIVE SCREW	2
10	07.574.01	PIN	2
11	00.372.01	LINCH PIN	4
12	T1657	T1657	2
13	9293054	BOLT CUP SQR M8x25	4
14	09.232.01	THRUST WASHER	2
15	08.297.02	BUSH 47x40x40	2
16	08.297.04	BUSH 37x30x30	2

MAINFRAME ASSY 70L HARRIER PAR

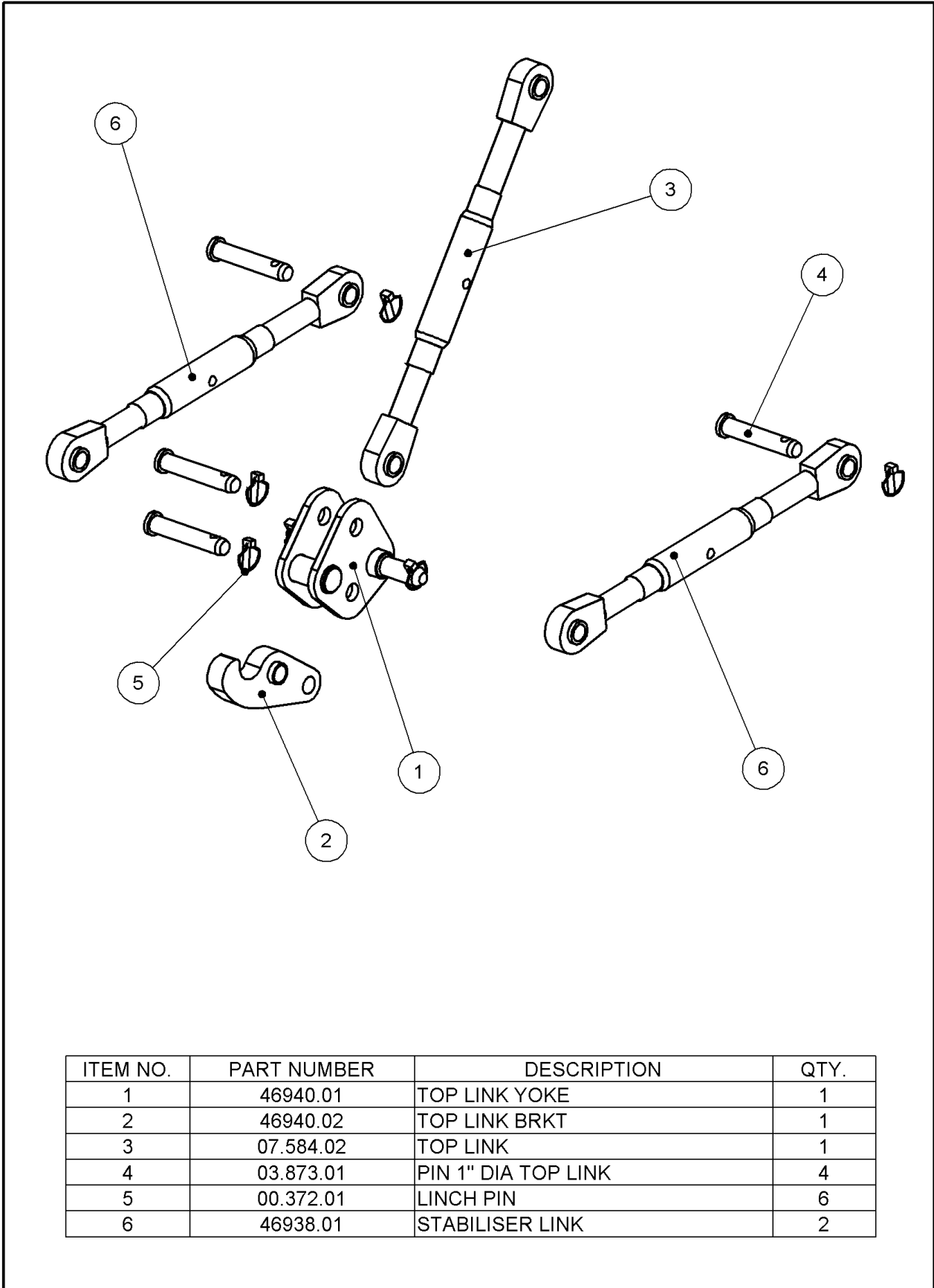
77.314.01 REV : A



ITEM NO.	PART NUMBER	DESCRIPTION	QTY.
1	46875.03	HARRIER MAINFRAME 70L MAN SLEW	1
2	03.654.75	PIN 30 DIA. x 224	1
3	08.297.04	BUSH 37x30x30	2
4	08.297.02	BUSH 47x40x40	2
5	09.232.01	THRUST WASHER	2
6	42118.01	LINK - BREAKOUT LH	1
7	46463.01	STAND ASSEMBLY	2
8	7191108	PLASTIC PLUG	6
9	T1657	T1657	2
10	07.574.01	PIN	2
11	00.372.01	LINCH PIN	4
12	9293054	BOLT CUP SQR M8x25	4
13	05.774.07	SERIAL PLATE	1
14	05.227.01	HAMMER DRIVE SCREW	2
15	05.291.06	BOLT M8x55	1
16	05.287.01	SELF-LOCKING NUT M8	1

BUDGET TUBULAR STABILISERS

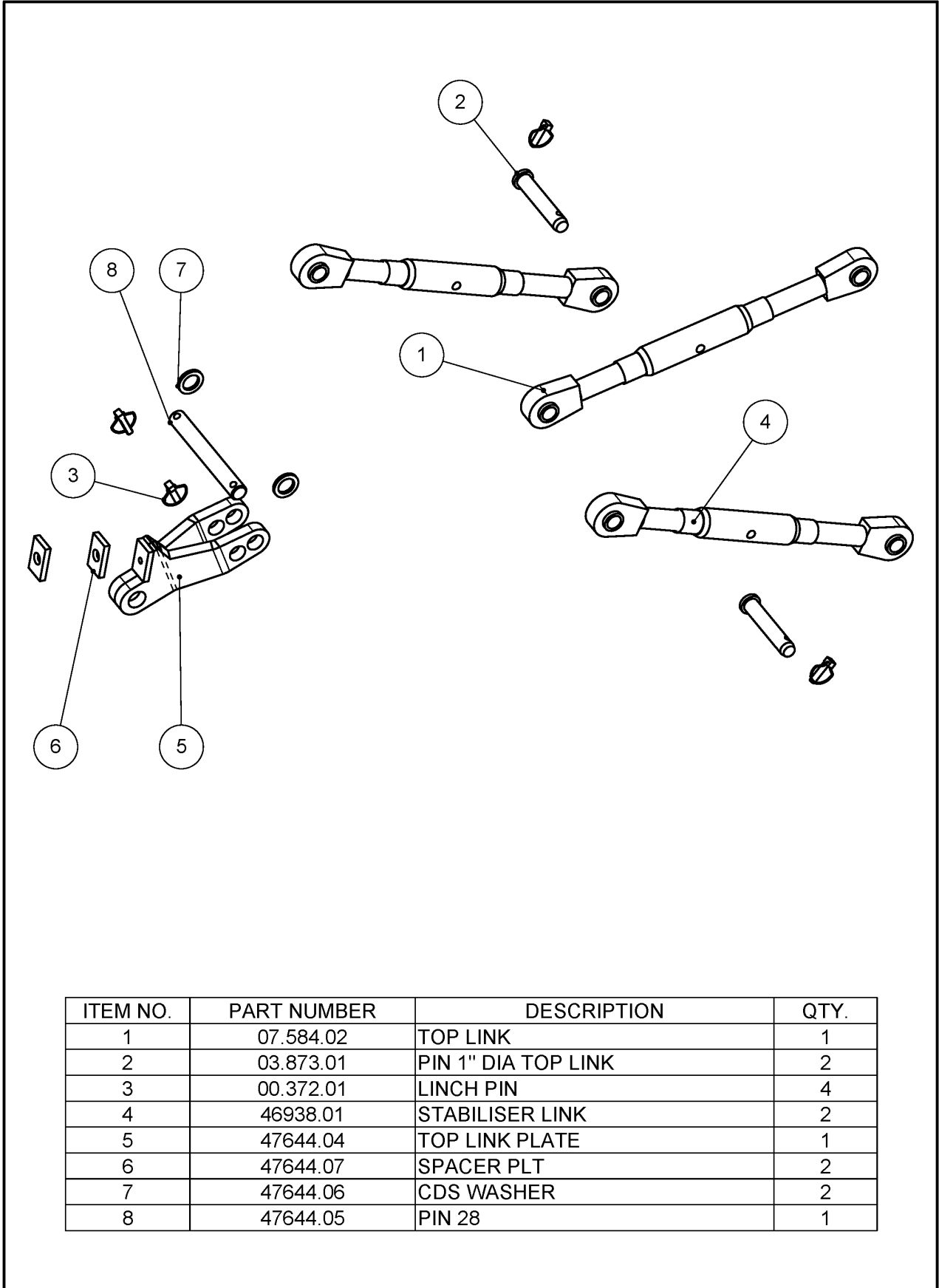
77.310.01 REV : A



ITEM NO.	PART NUMBER	DESCRIPTION	QTY.
1	46940.01	TOP LINK YOKE	1
2	46940.02	TOP LINK BRKT	1
3	07.584.02	TOP LINK	1
4	03.873.01	PIN 1" DIA TOP LINK	4
5	00.372.01	LINCH PIN	6
6	46938.01	STABILISER LINK	2

TUBULAR STABILISERS WITH ADJUSTABLE NOSEPIECE

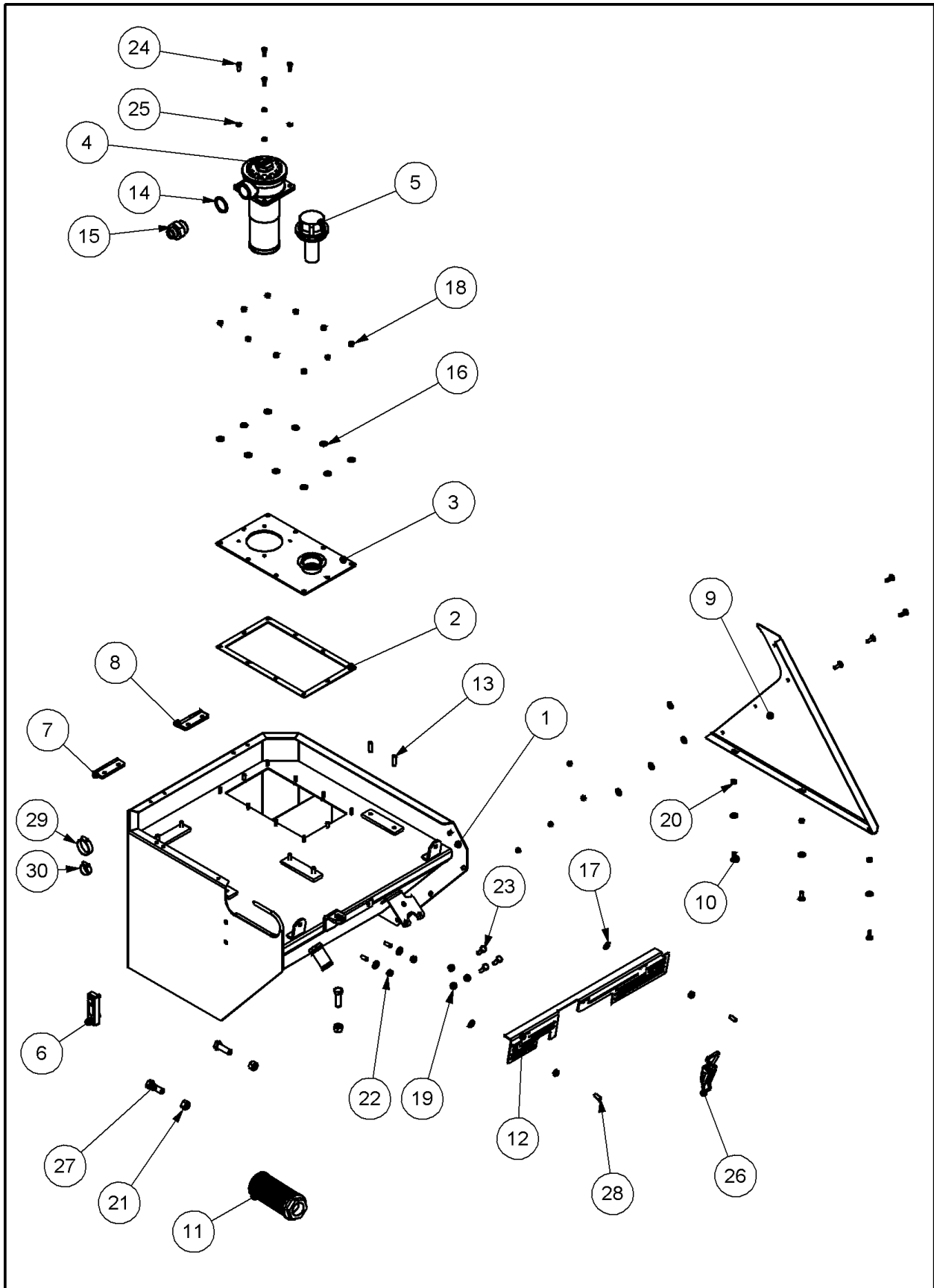
77.310.02 REV : A



ITEM NO.	PART NUMBER	DESCRIPTION	QTY.
1	07.584.02	TOP LINK	1
2	03.873.01	PIN 1" DIA TOP LINK	2
3	00.372.01	LINCH PIN	4
4	46938.01	STABILISER LINK	2
5	47644.04	TOP LINK PLATE	1
6	47644.07	SPACER PLT	2
7	47644.06	CDS WASHER	2
8	47644.05	PIN 28	1

OIL TANK ASSY - HARRIER

77.305.01 REV : A



OIL TANK ASSY - HARRIER

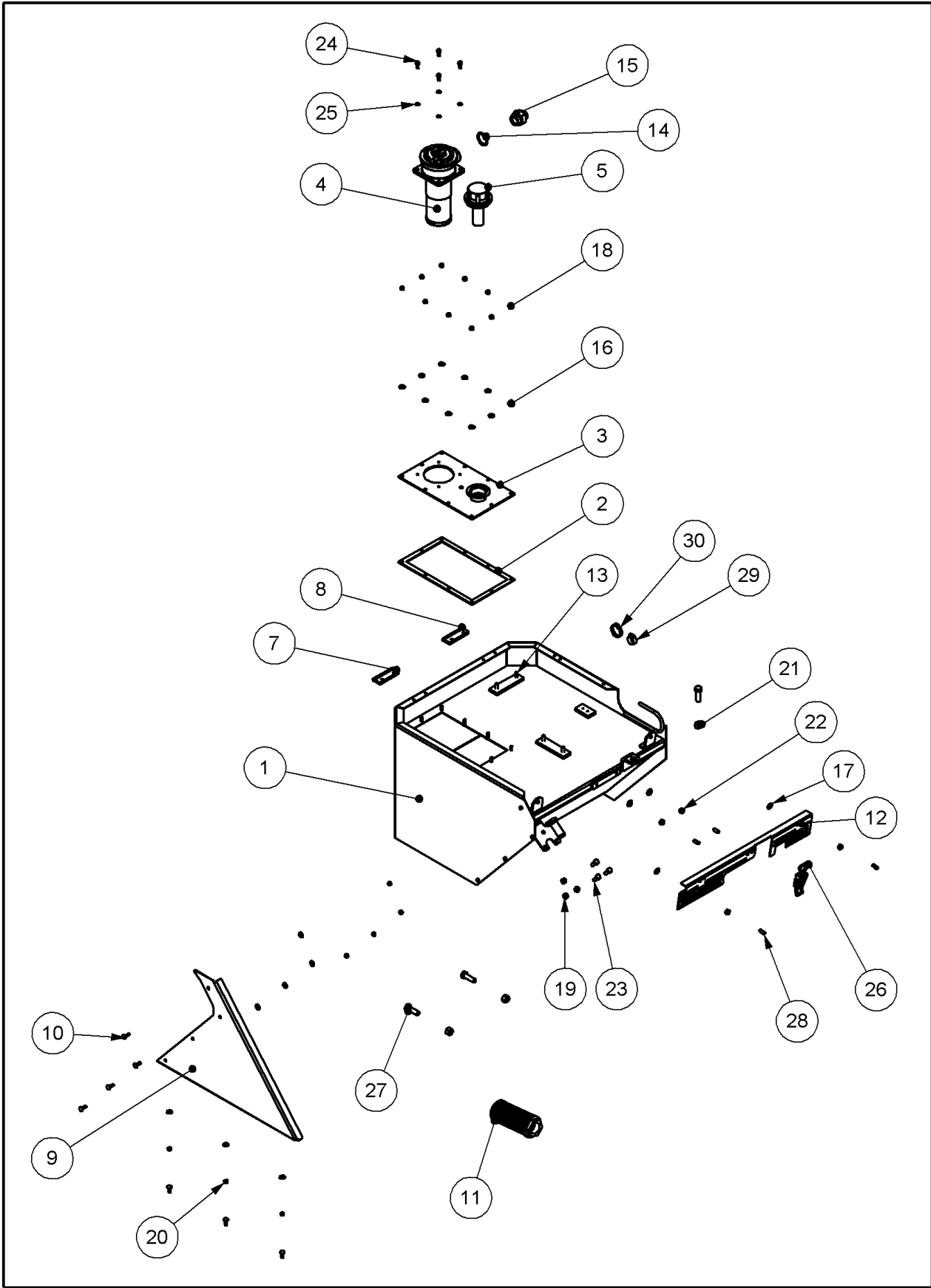
77.305.01 REV : A

OIL TANK ASSY - HARRIER - 77.305.01

ITEM NO.	PART NUMBER	DESCRIPTION	QTY.
1	46911.03	HARRIER TANK LH	1
2	08.605.01	GASKET	1
3	41.255.01	PLATE - FILLER/FILTER	1
4	46750.01	FILTER ASSEMBLY 125L PARKER	1
5	06.966.02	FILLER BREATHER CAP & STRAIN	1
6	08.921.01	FLUID LEVEL GAUGE	1
7	46065.01	HINGE	1
8	46065.02	HINGE	1
9	46229.01	GUARD - REAR LH	1
10	9293054	BOLT CUP SQR M8x25	7
11	8401047	STRAINER	1
12	47333.03	FRONT PLT LH	1
13	03.100.01	STUD M10x34	6
14	05.290.08	BONDED SEAL 1.1/4" BSP	1
15	05.131.01	ADAPTOR 1" x 1.1/4"BSP	1
16	05.281.01	FLAT WASHER M8	17
17	05.281.02	FLAT WASHER M10	4
18	05.286.01	NUT M8	10
19	05.286.02	NUT M10	3
20	05.287.01	SELF-LOCKING NUT M8	7
21	05.287.04	SELF-LOCKING NUT M16	3
22	05.287.02	SELF-LOCKING NUT M10	4
23	05.264.13	SETSCREW M10x30	3
24	05.264.01	SETSCREW M8x20	4
25	05.282.01	SPRING WASHER M8	4
26	43449.04	FASTENER OVERCENTRE	1
27	05.291.35	BOLT M16x50	3
28	04.282.88	STUD M10 X 23	4
29	05.863.02	JUBILEE CLIP 2"DIA	1
30	05.863.03	JUBILEE CLIP 20-32 DIA	1

TANK ASSY HARRIER RH

77.305.02 REV : A



TANK ASSY HARRIER RH

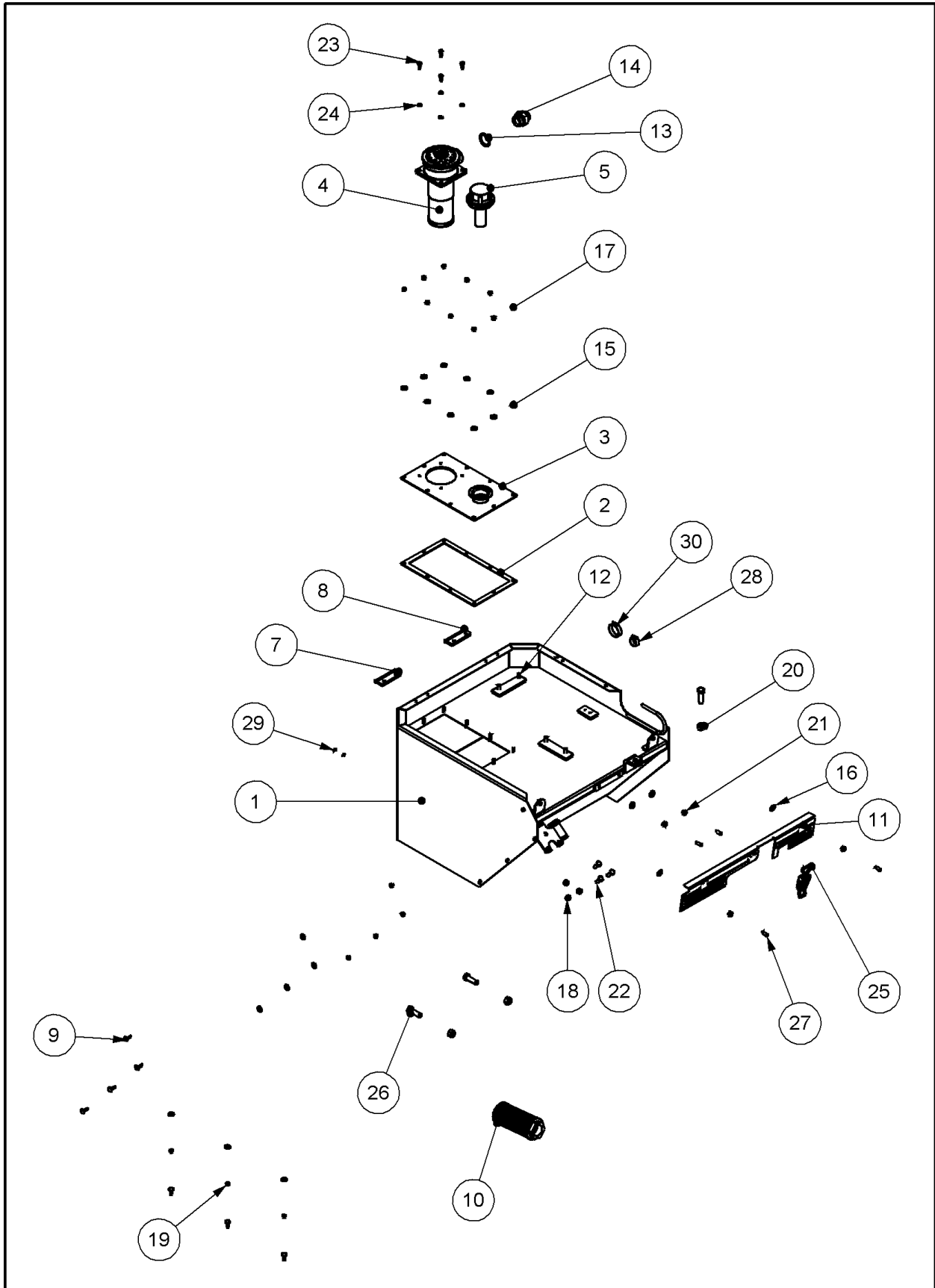
77.305.02 REV : A

OIL TANK ASSY - HARRIER - 77.305.02

ITEM NO.	PART NUMBER	DESCRIPTION	QTY.
1	46911.04	HARRIER TANK RH	1
2	08.605.01	GASKET	1
3	47628.01	PLATE	1
4	46750.01	FILTER ASSEMBLY 125L PARKER	1
5	06.966.02	FILLER BREATHER CAP & STRAIN	1
6	08.921.01	FLUID LEVEL GAUGE	1
7	46065.01	HINGE	1
8	46065.02	HINGE	1
9	46229.02	GUARD - REAR RH	1
10	9293054	BOLT CUP SQR M8x25	7
11	8401047	STRAINER	1
12	47333.04	FRONT PLT RH	1
13	03.100.01	STUD M10x34	6
14	05.290.08	BONDED SEAL 1.1/4" BSP	1
15	05.131.01	ADAPTOR 1" x 1.1/4"BSP	1
16	05.281.01	FLAT WASHER M8	17
17	05.281.02	FLAT WASHER M10	4
18	05.286.01	NUT M8	10
19	05.286.02	NUT M10	3
20	05.287.01	SELF-LOCKING NUT M8	7
21	05.287.04	SELF-LOCKING NUT M16	3
22	05.287.02	SELF-LOCKING NUT M10	4
23	05.264.13	SETSCREW M10x30	3
24	05.264.01	SETSCREW M8x20	4
25	05.282.01	SPRING WASHER M8	4
26	43449.04	FASTENER OVERCENTRE	1
27	05.291.35	BOLT M16x50	3
28	04.282.88	STUD M10 X 23	4
29	05.863.03	JUBILEE CLIP 20-32 DIA	1
30	47603.01	CLAMP - MIKALOR	2

TANK ASSY HARRIER RH

77.305.04 REV : A



TANK ASSY HARRIER RH

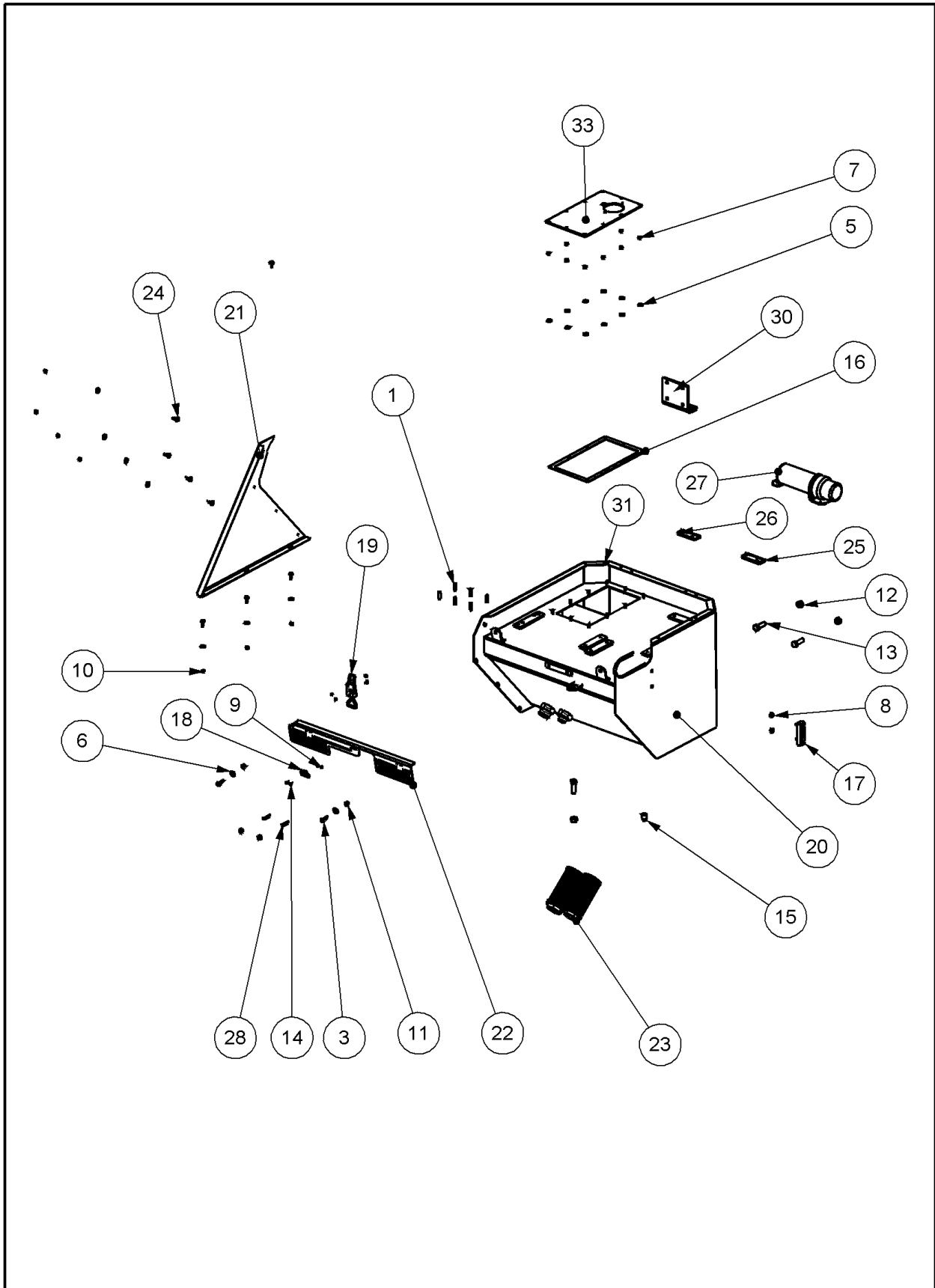
77.305.04 REV : A

OIL TANK ASSY - HARRIER - 77.305.02

ITEM NO.	PART NUMBER	DESCRIPTION	QTY.
1	46911.04	HARRIER TANK RH	1
2	08.605.01	GASKET	1
3	41.255.01	PLATE - FILLER/FILTER	1
4	46750.01	FILTER ASSEMBLY 125L PARKER	1
5	06.966.02	FILLER BREATHER CAP & STRAIN	1
6	08.921.01	FLUID LEVEL GAUGE	1
7	46065.01	HINGE	1
8	46065.02	HINGE	1
9	9293054	BOLT CUP SQR M8x25	7
10	8401047	STRAINER	1
11	47333.04	FRONT PLT RH	1
12	03.100.01	STUD M10x34	6
13	05.290.08	BONDED SEAL 1.1/4" BSP	1
14	05.131.01	ADAPTOR 1" x 1.1/4"BSP	1
15	05.281.01	FLAT WASHER M8	17
16	05.281.02	FLAT WASHER M10	4
17	05.286.01	NUT M8	10
18	05.286.02	NUT M10	3
19	05.287.01	SELF-LOCKING NUT M8	7
20	05.287.04	SELF-LOCKING NUT M16	3
21	05.287.02	SELF-LOCKING NUT M10	4
22	05.264.13	SETSCREW M10x30	3
23	05.264.01	SETSCREW M8x20	4
24	05.282.01	SPRING WASHER M8	4
25	43449.04	FASTENER OVERCENTRE	1
26	05.291.35	BOLT M16x50	3
27	04.282.88	STUD M10 X 23	4
28	05.863.03	JUBILEE CLIP 20-32 DIA	1
29	05.963.01	POP RIVET	2
30	05.863.02	JUBILEE CLIP 2"DIA	1

TANK ASSEMBLY RH

77.305.06 REV : A



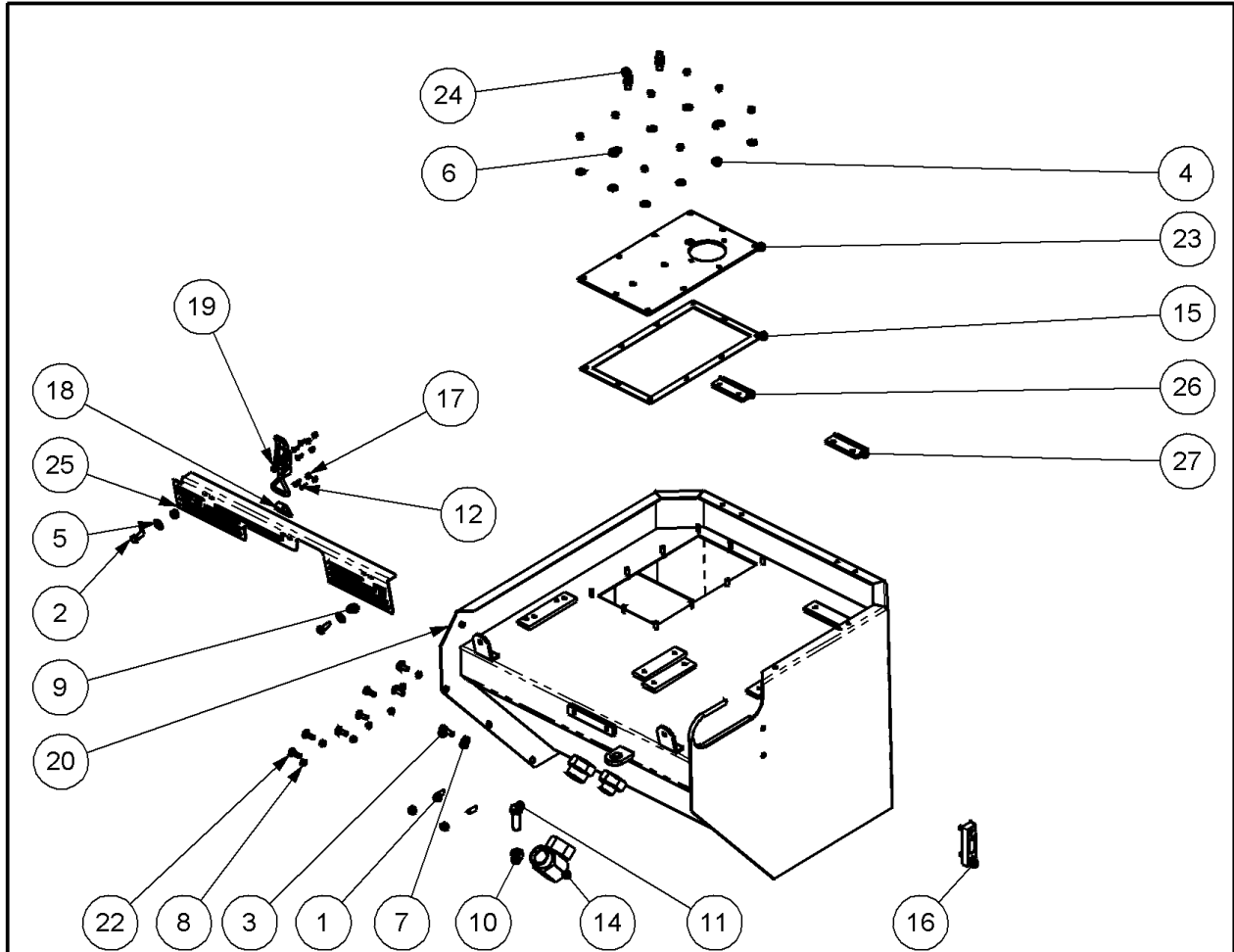
TANK ASSEMBLY RH

77.305.06 REV : A

ITEM NO.	PART NUMBER	DESCRIPTION	QTY.
1	03.100.01	STUD M10x34	6
2	04.282.42	STUD M10 X 40	2
3	05.264.12	SETSCREW M10x25	2
4	05.264.13	SETSCREW M10x30	1
5	05.281.01	FLAT WASHER M8	17
6	05.281.02	FLAT WASHER M10	2
7	05.286.01	NUT M8	10
8	05.286.02	NUT M10	3
9	05.286.09	NUT M5	4
10	05.287.01	SELF-LOCKING NUT M8	7
11	05.287.02	SELF-LOCKING NUT M10	4
12	05.287.04	SELF-LOCKING NUT M16	3
13	05.291.35	BOLT M16x50	3
14	9353022	M5 SOCKET HEAD C/SK	4
15	05.495.01	PLUG 1/2" BSPT	1
16	08.605.01	GASKET	1
17	08.921.01	FLUID LEVEL GAUGE	1
18	43449.03	TOGGLE CLAMP PLATE	1
19	43449.04	FASTENER OVERCENTRE	1
20	46225.08	HAWK TANK RH	1
21	46229.06	GUARD - REAR RH 100L	1
22	47333.02	COVER - TANK RH	1
23	8401047	STRAINER	2
24	9293054	BOLT CUP SQR M8x25	7
25	46065.01	HINGE	1
26	46065.02	HINGE	1
27	46505.01	LITERATURE HOLDER	1
28	04.282.88	STUD M10 X 23	2
29	05.292.32	BOLT M16x90	1
30	46095.01	PLATE - VALVE MOUNTING	1
31	46192.01	PUSH ON RETAINER	2
32	05.969.02	SELF-TAP.SCREW No14 3/4"HEX HD	2
33	212.029	PLATE	1

HAWK RH LPH TANK ASSY

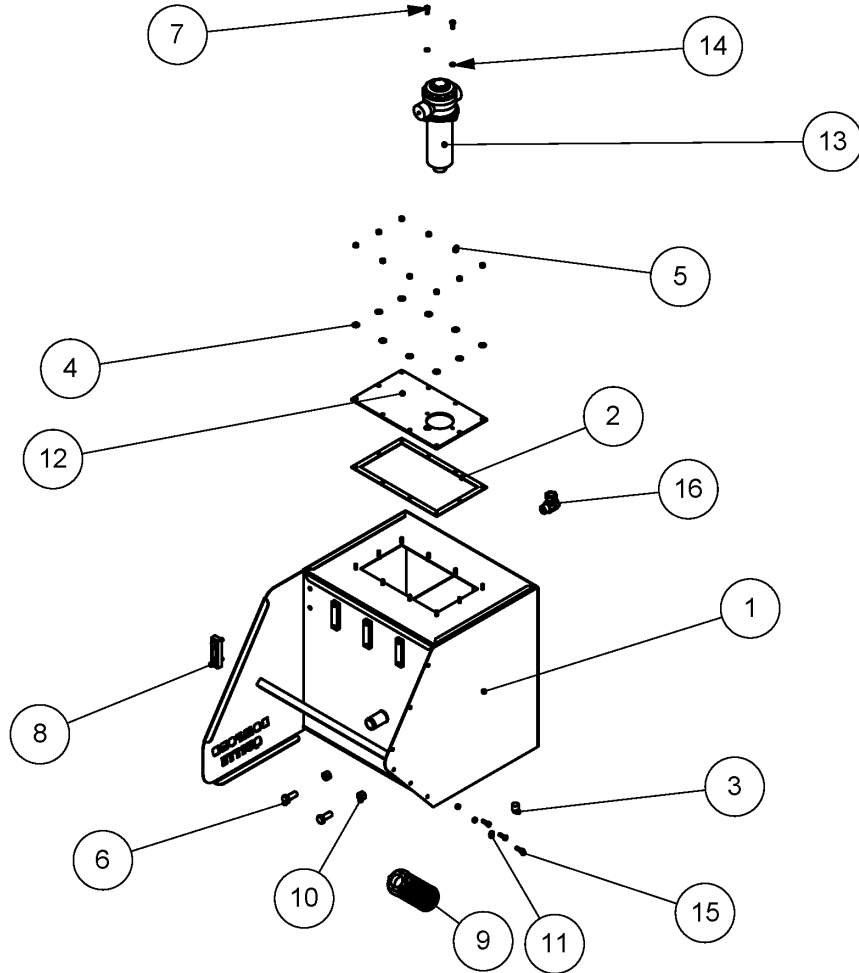
77.176.12 REV : A



ITEM NO.	PART NUMBER	DESCRIPTION	Qty.
1	04.282.88	STUD M10 X 23	2
2	05.264.12	SETSCREW M10x25	2
3	05.264.13	SETSCREW M10x30	1
4	05.281.01	FLAT WASHER M8	11
5	05.281.02	FLAT WASHER M10	2
6	05.286.01	NUT M8	10
7	05.286.02	NUT M10	3
8	05.287.01	SELF-LOCKING NUT M8	7
9	05.287.02	SELF-LOCKING NUT M10	4
10	05.287.04	SELF-LOCKING NUT M16	3
11	05.291.35	BOLT M16x50	3
12	05.345.14	SOCKET CSK SCREW M6x16	5
13	05.495.01	PLUG 1/2" BSPT	1
14	05.835.10	90 ADAPTOR M/F SWIVEL	1
15	08.605.01	GASKET	1
16	08.921.01	FLUID LEVEL GAUGE	1
17	30.070.64	NUT NYLOC M6 Z/P	5
18	43449.03	TOGGLE CLAMP PLATE	1
19	43449.04	FASTENER OVERCENTRE	1
20	46225.08	HAWK TANK RH	1
21	8401047	STRAINER	2
22	9293054	BOLT CUP SQR M8x25	7
23	47631.03	TANK TOP LPH	1
24	08.128.19	ADAPTOR 1/4"BSP BULKHEAD	2
25	47333.02	COVER - TANK RH	1
26	46065.01	HINGE	1
27	46065.02	HINGE	1

OIL TANK ASSY RH QUITTE

76.382.09 REV : A

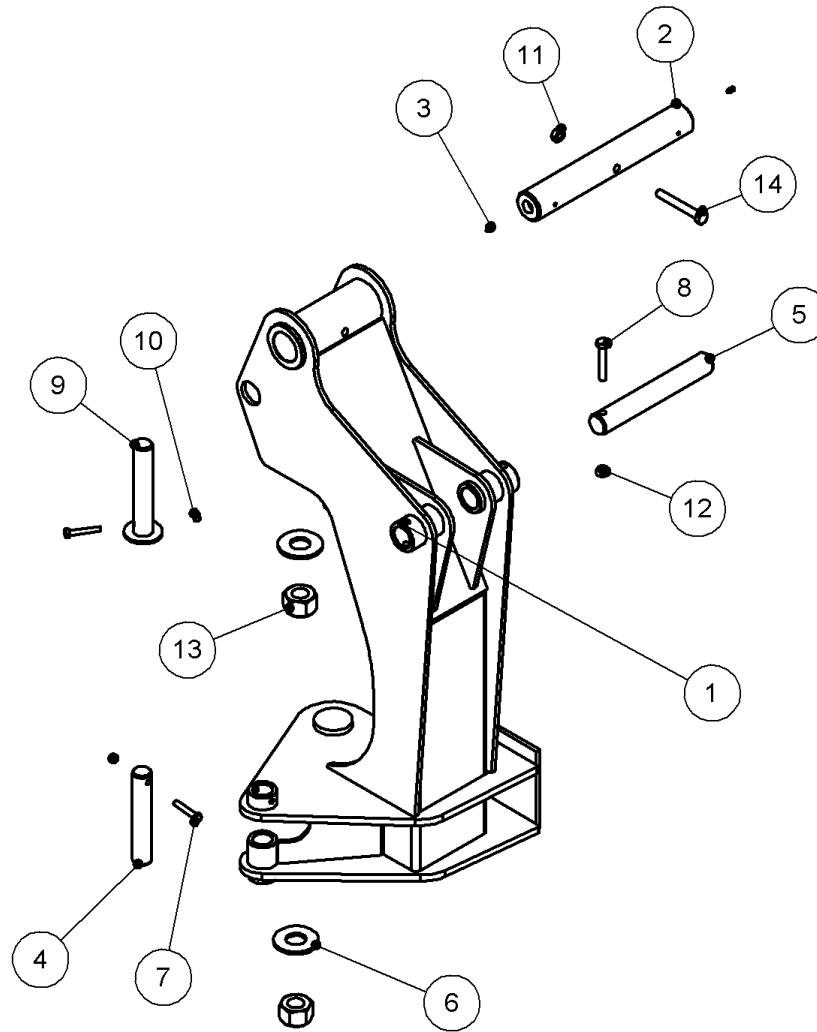


* 8401095 - FILTER ELEMENT

ITEM NO.	PART NUMBER	DESCRIPTION	QTY.
1	42112.06	OIL TANK RH QUITTE	1
2	08.605.01	GASKET	1
3	05.495.01	PLUG 1/2" BSPT	1
4	05.281.01	FLAT WASHER M8	10
5	05.286.01	NUT M8	10
6	05.264.35	SETSCREW M16x40	2
7	05.264.01	SETSCREW M8x20	2
8	08.921.01	FLUID LEVEL GAUGE	1
9	8401047	STRAINER	1
10	05.287.04	SELF-LOCKING NUT M16	2
11	05.287.01	SELF-LOCKING NUT M8	3
12	47549.01	PLATE - FILTER ECONOMY	1
13	212.013	FILTER ASSY 100L	1
14	05.282.01	SPRING WASHER M8	2
15	05.264.02	SETSCREW M8x25	3
16	05.835.03	90 ADAPTOR M/F SWIVEL	1

KINGPOST ASSY HARRIER RH PS

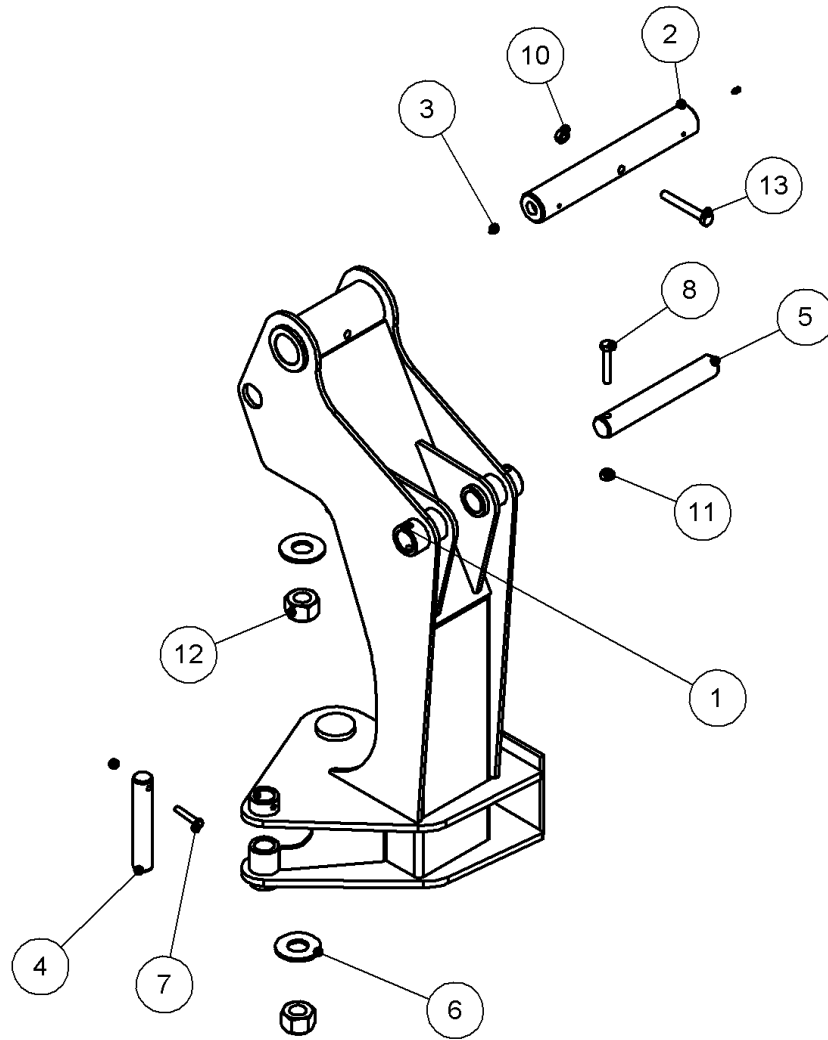
77.301.06 REV : A



ITEM NO.	PART NUMBER	DESCRIPTION	QTY.
1	46995.04	KINGPOST - HARRIER P SLEW RH	1
2	03.657.24	PIN 50 DIA - 341	1
3	05.953.01	GREASE NIPPLE M6xStr	2
4	03.654.89	PIN 30 DIA X 170	1
5	03.655.63	PIN - 35 DIA. x 240	1
6	05.962.07	1.1/4" FLAT WASHER(P)	2
7	05.291.05	BOLT M8x50	2
8	05.291.18	BOLT M10x65	1
9	03.654.94	PIN 30 DIA X 166	1
10	05.287.01	SELF-LOCKING NUT M8	2
11	05.287.03	SELF-LOCKING NUT M12	1
12	05.287.02	SELF-LOCKING NUT M10	1
13	05.287.07	SELF-LOCKING NUT M30	2
14	05.292.22	BOLT M12x90	1

KINGPOST ASSY RH HARRIER

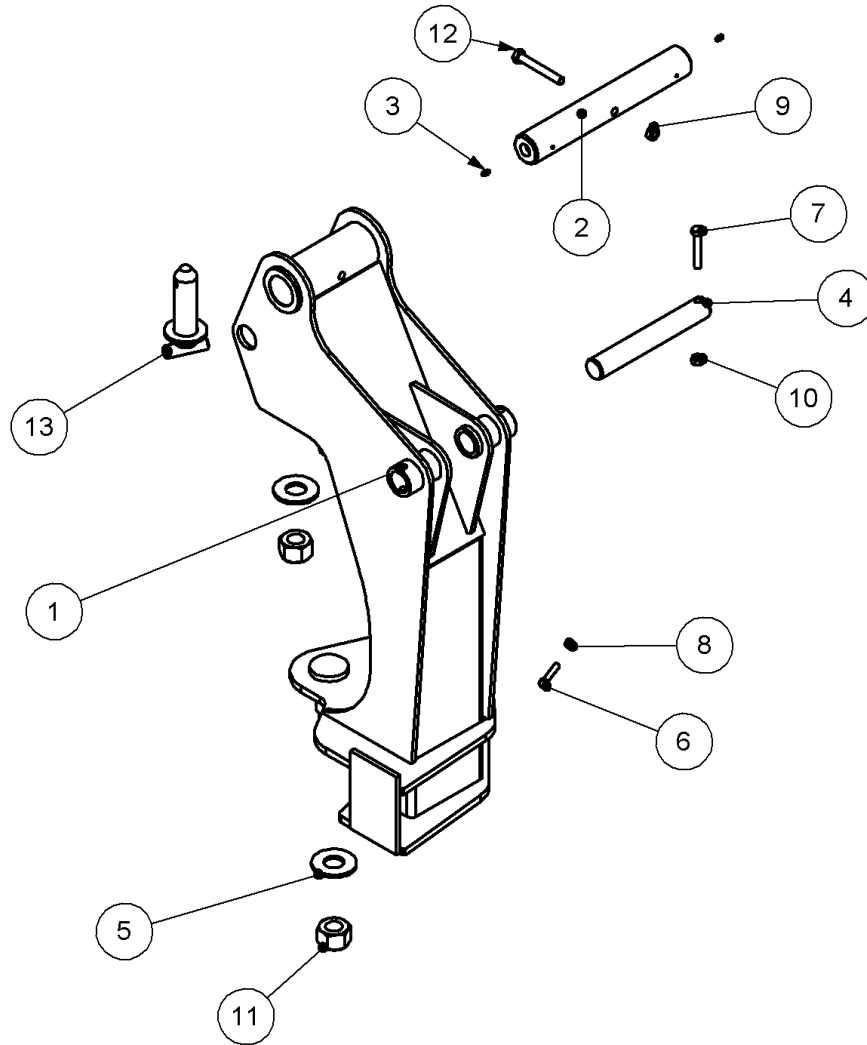
77.301.02 REV : A



ITEM NO.	PART NUMBER	DESCRIPTION	QTY.
1	46995.04	KINGPOST - HARRIER P SLEW RH	1
2	03.657.24	PIN 50 DIA - 341	1
3	05.953.01	GREASE NIPPLE M6xStr	2
4	03.654.89	PIN 30 DIA X 170	1
5	03.655.63	PIN - 35 DIA. x 240	1
6	05.962.07	1.1/4" FLAT WASHER(P)	2
7	05.291.05	BOLT M8x50	1
8	05.291.18	BOLT M10x65	1
9	05.287.01	SELF-LOCKING NUT M8	1
10	05.287.03	SELF-LOCKING NUT M12	1
11	05.287.02	SELF-LOCKING NUT M10	1
12	05.287.07	SELF-LOCKING NUT M30	2
13	05.292.22	BOLT M12x90	1

KINGPOST ASSEMBLY LH

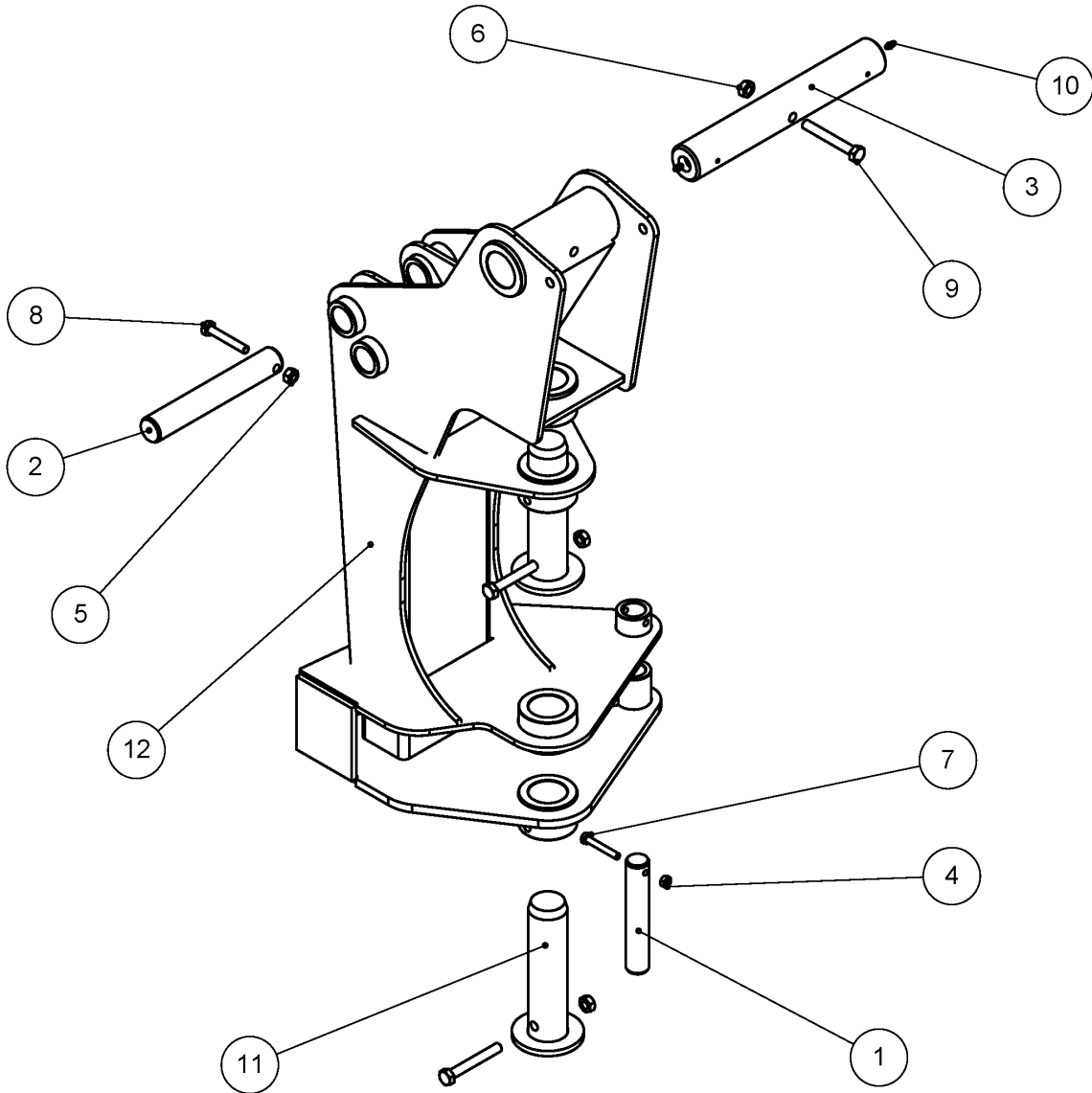
77.301.03 REV : A



ITEM NO.	PART NUMBER	DESCRIPTION	QTY.
1	46995.03	KINGPOST - HARRIER P SLEW LH	1
2	03.657.24	PIN 50 DIA - 341	1
3	05.953.01	GREASE NIPPLE M6xStr	2
4	03.655.63	PIN - 35 DIA. x 240	1
5	05.962.07	1.1/4" FLAT WASHER(P)	2
6	05.291.05	BOLT M8x50	1
7	05.291.18	BOLT M10x65	1
8	05.287.01	SELF-LOCKING NUT M8	1
9	05.287.03	SELF-LOCKING NUT M12	1
10	05.287.02	SELF-LOCKING NUT M10	1
11	05.287.07	SELF-LOCKING NUT M30	2
12	05.292.22	BOLT M12x90	1
13	46923.01	PIN 35DIA	1

KINGPOST ASSEMBLY RH

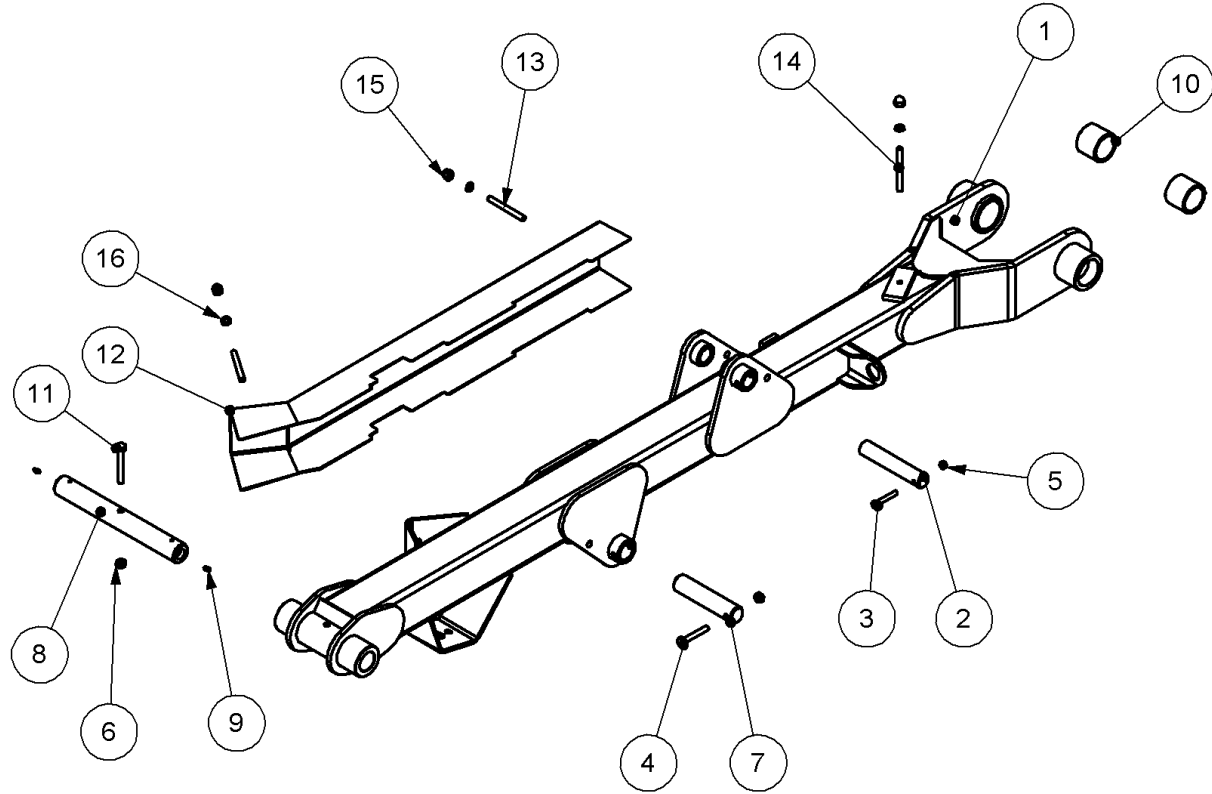
77.301.09 REV : A



ITEM NO.	PART NUMBER	DESCRIPTION	QTY.
1	03.654.89	PIN 30 DIA X 170	1
2	03.655.64	PIN 35 DIA. x 225	1
3	03.657.24	PIN 50 DIA - 341	1
4	05.287.01	SELF-LOCKING NUT M8	1
5	05.287.02	SELF-LOCKING NUT M10	1
6	05.287.03	SELF-LOCKING NUT M12	3
7	05.291.06	BOLT M8x55	1
8	05.291.18	BOLT M10x65	1
9	05.292.22	BOLT M12x90	3
10	05.953.01	GREASE NIPPLE M6xStr	2
11	45965.01	PIN - KINGPOST 50MM DIA	2
12	46395.04	KINGPOST RH	1

FIRST ARM ASSY - HARRIER RH

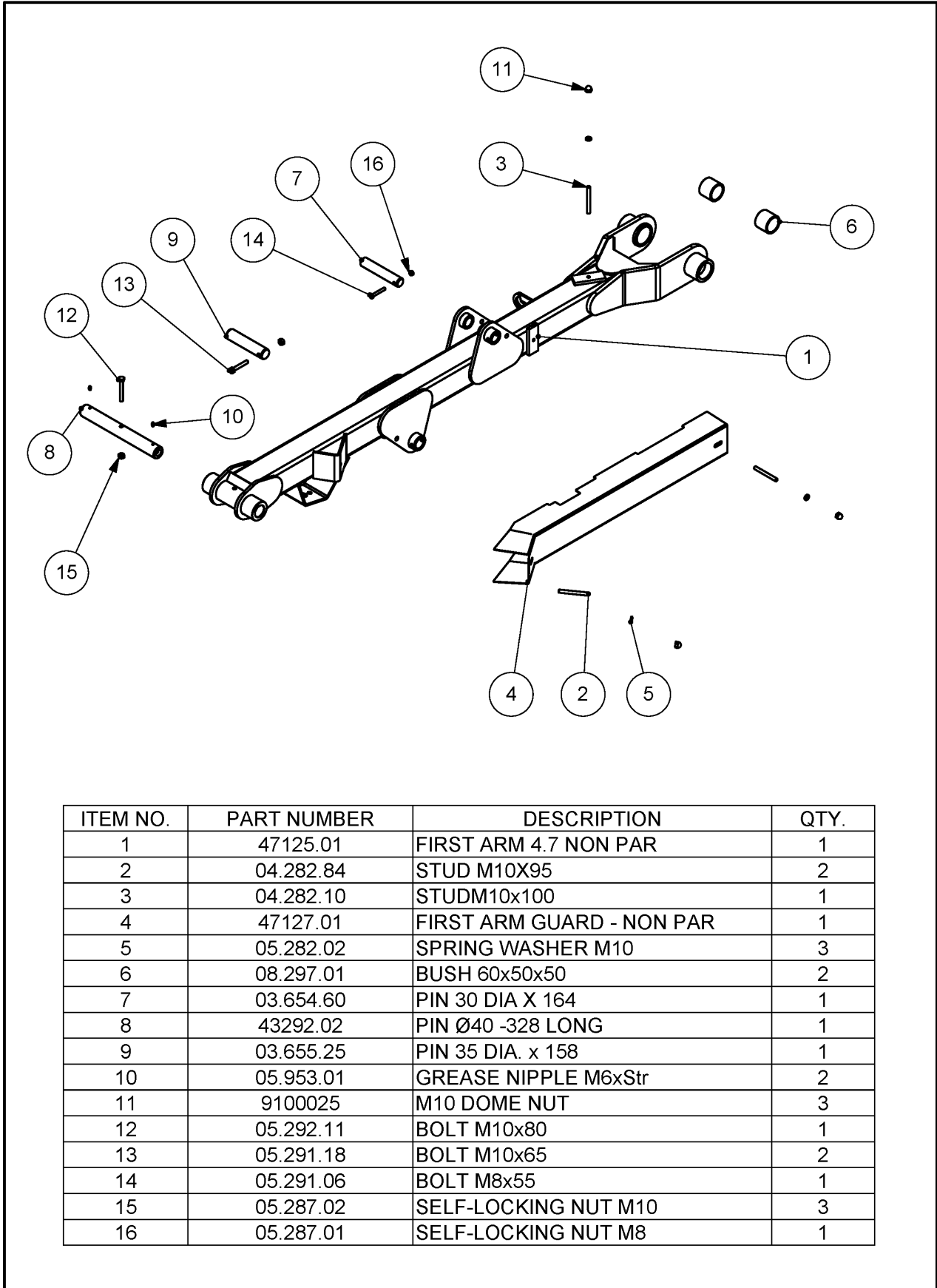
77.351.01 REV : A



ITEM NO.	PART NUMBER	DESCRIPTION	QTY.
1	47125.02	FIRST ARM - HARRIER NON PAR 4.7	1
2	03.654.60	PIN 30 DIA X 164	1
3	05.291.06	BOLT M8x55	1
4	05.291.18	BOLT M10x65	2
5	05.287.01	SELF-LOCKING NUT M8	1
6	05.287.02	SELF-LOCKING NUT M10	3
7	03.655.25	PIN 35 DIA. x 158	1
8	43292.02	PIN Ø40 -328 LONG	1
9	05.953.01	GREASE NIPPLE M6xStr	2
10	08.297.01	BUSH 60x50x50	2
11	05.292.11	BOLT M10x80	1
12	47127.01	FIRST ARM GUARD - NON PAR	1
13	04.282.84	STUD M10X95	2
14	04.282.10	STUDM10x100	1
15	9100025	M10 DOME NUT	3
16	05.282.02	SPRING WASHER M10	3

FIRST ARM ASSY 4.7 NON PAR

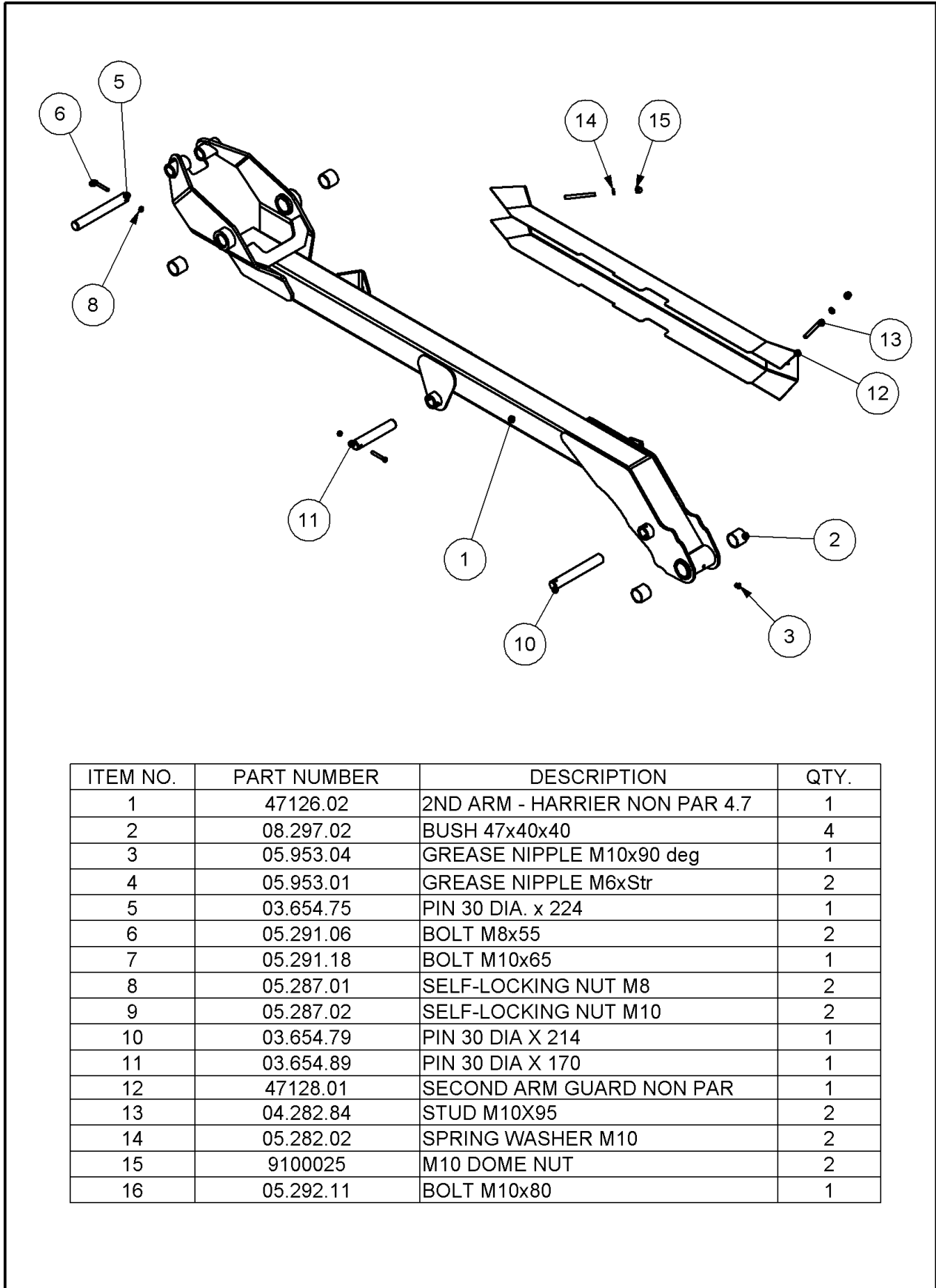
77.413.01 REV : A



ITEM NO.	PART NUMBER	DESCRIPTION	QTY.
1	47125.01	FIRST ARM 4.7 NON PAR	1
2	04.282.84	STUD M10X95	2
3	04.282.10	STUDM10x100	1
4	47127.01	FIRST ARM GUARD - NON PAR	1
5	05.282.02	SPRING WASHER M10	3
6	08.297.01	BUSH 60x50x50	2
7	03.654.60	PIN 30 DIA X 164	1
8	43292.02	PIN Ø40 -328 LONG	1
9	03.655.25	PIN 35 DIA. x 158	1
10	05.953.01	GREASE NIPPLE M6xStr	2
11	9100025	M10 DOME NUT	3
12	05.292.11	BOLT M10x80	1
13	05.291.18	BOLT M10x65	2
14	05.291.06	BOLT M8x55	1
15	05.287.02	SELF-LOCKING NUT M10	3
16	05.287.01	SELF-LOCKING NUT M8	1

SECOND ARM ASSY - HARRIER RH

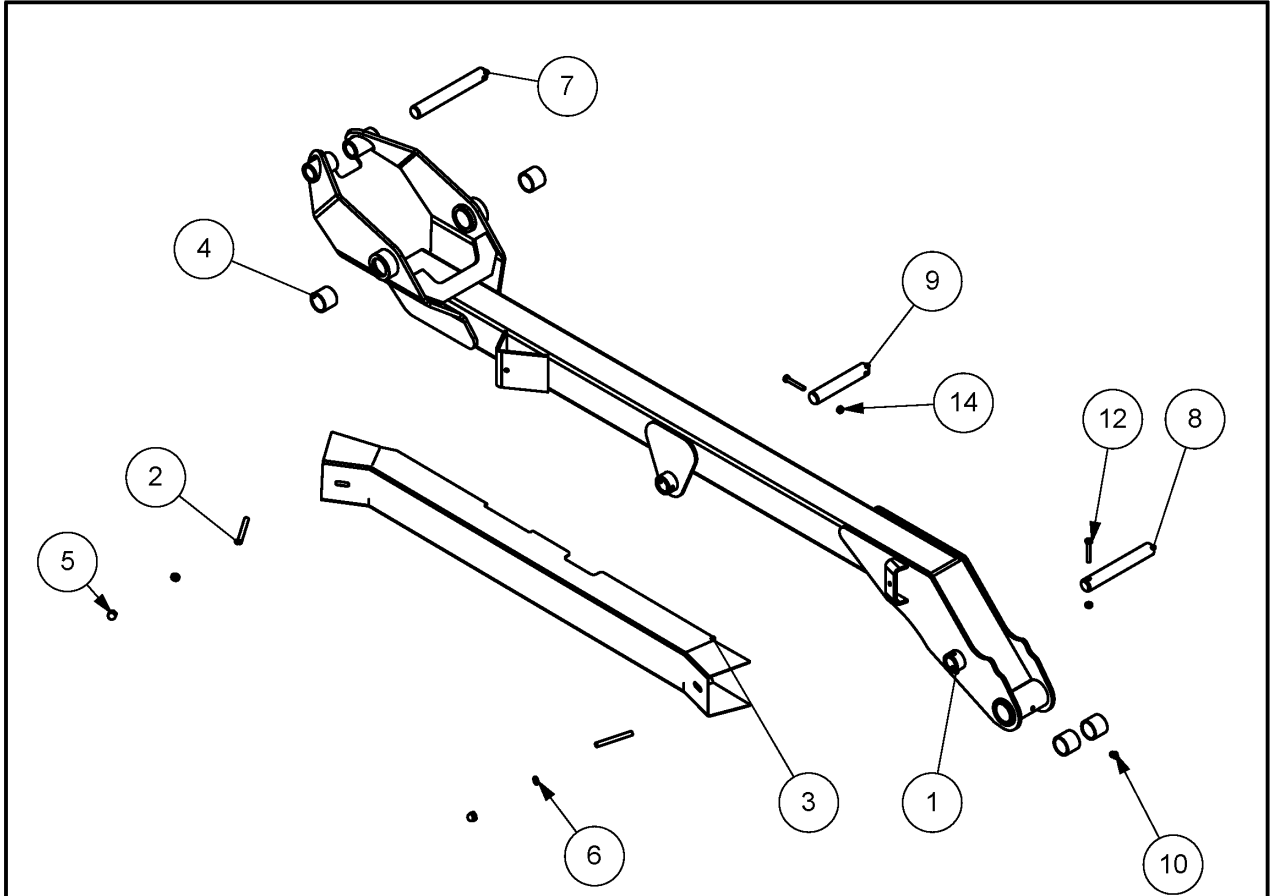
77.352.01 REV : A



ITEM NO.	PART NUMBER	DESCRIPTION	QTY.
1	47126.02	2ND ARM - HARRIER NON PAR 4.7	1
2	08.297.02	BUSH 47x40x40	4
3	05.953.04	GREASE NIPPLE M10x90 deg	1
4	05.953.01	GREASE NIPPLE M6xStr	2
5	03.654.75	PIN 30 DIA. x 224	1
6	05.291.06	BOLT M8x55	2
7	05.291.18	BOLT M10x65	1
8	05.287.01	SELF-LOCKING NUT M8	2
9	05.287.02	SELF-LOCKING NUT M10	2
10	03.654.79	PIN 30 DIA X 214	1
11	03.654.89	PIN 30 DIA X 170	1
12	47128.01	SECOND ARM GUARD NON PAR	1
13	04.282.84	STUD M10X95	2
14	05.282.02	SPRING WASHER M10	2
15	9100025	M10 DOME NUT	2
16	05.292.11	BOLT M10x80	1

SECOND ARM 4.7 NON PAR ASSY

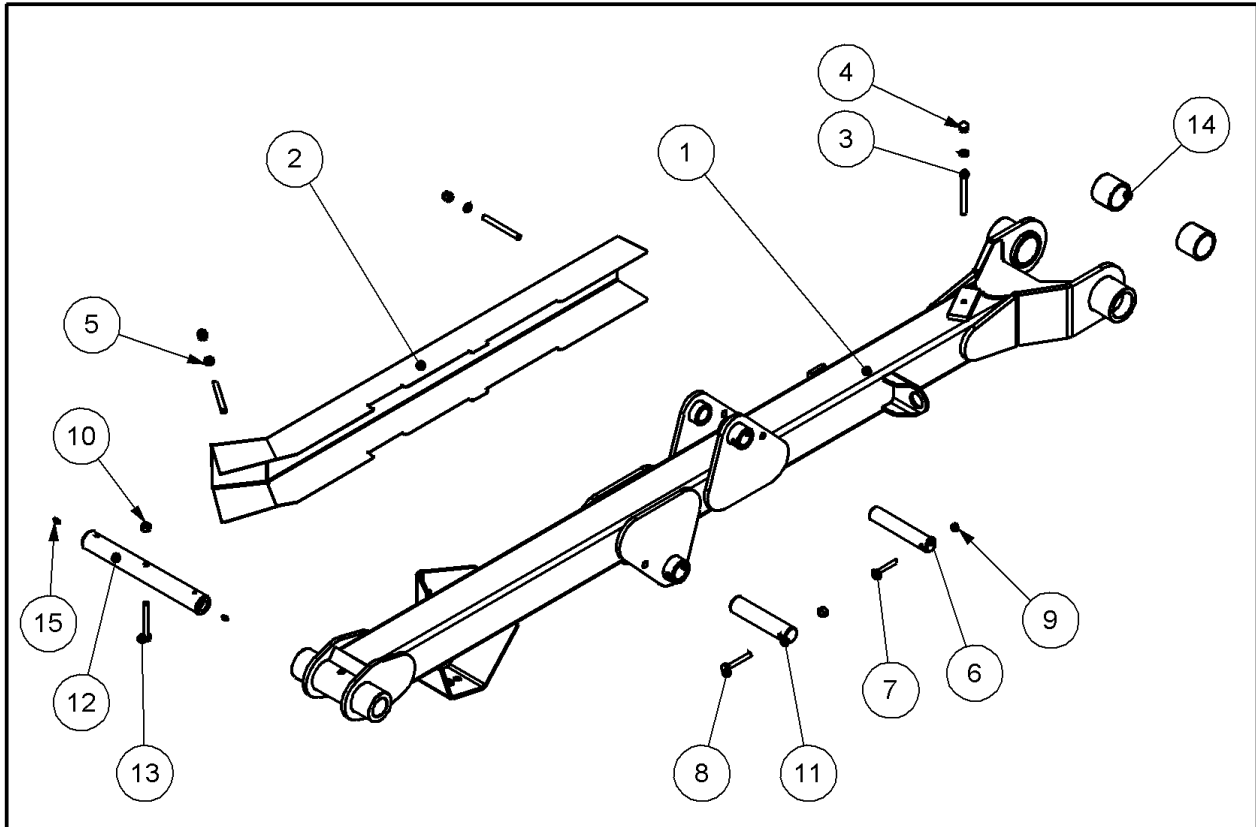
77.414.01 REV : A



ITEM NO.	PART NUMBER	DESCRIPTION	QTY.
1	47126.01	SECOND ARM - 4.7 NON PAR	1
2	04.282.84	STUD M10X95	2
3	47128.01	SECOND ARM GUARD NON PAR	1
4	08.297.02	BUSH 47x40x40	4
5	9100025	M10 DOME NUT	2
6	05.282.02	SPRING WASHER M10	2
7	03.654.75	PIN 30 DIA. x 224	1
8	03.654.79	PIN 30 DIA X 214	1
9	03.654.89	PIN 30 DIA X 170	1
10	05.953.04	GREASE NIPPLE M10x90 deg	1
11	05.953.01	GREASE NIPPLE M6xStr	2
12	05.291.06	BOLT M8x55	2
13	05.291.18	BOLT M10x65	1
14	05.287.01	SELF-LOCKING NUT M8	2
15	05.287.02	SELF-LOCKING NUT M10	2
16	05.292.11	BOLT M10x80	1

FIRST ARM ASSY - NON PAR 5.0

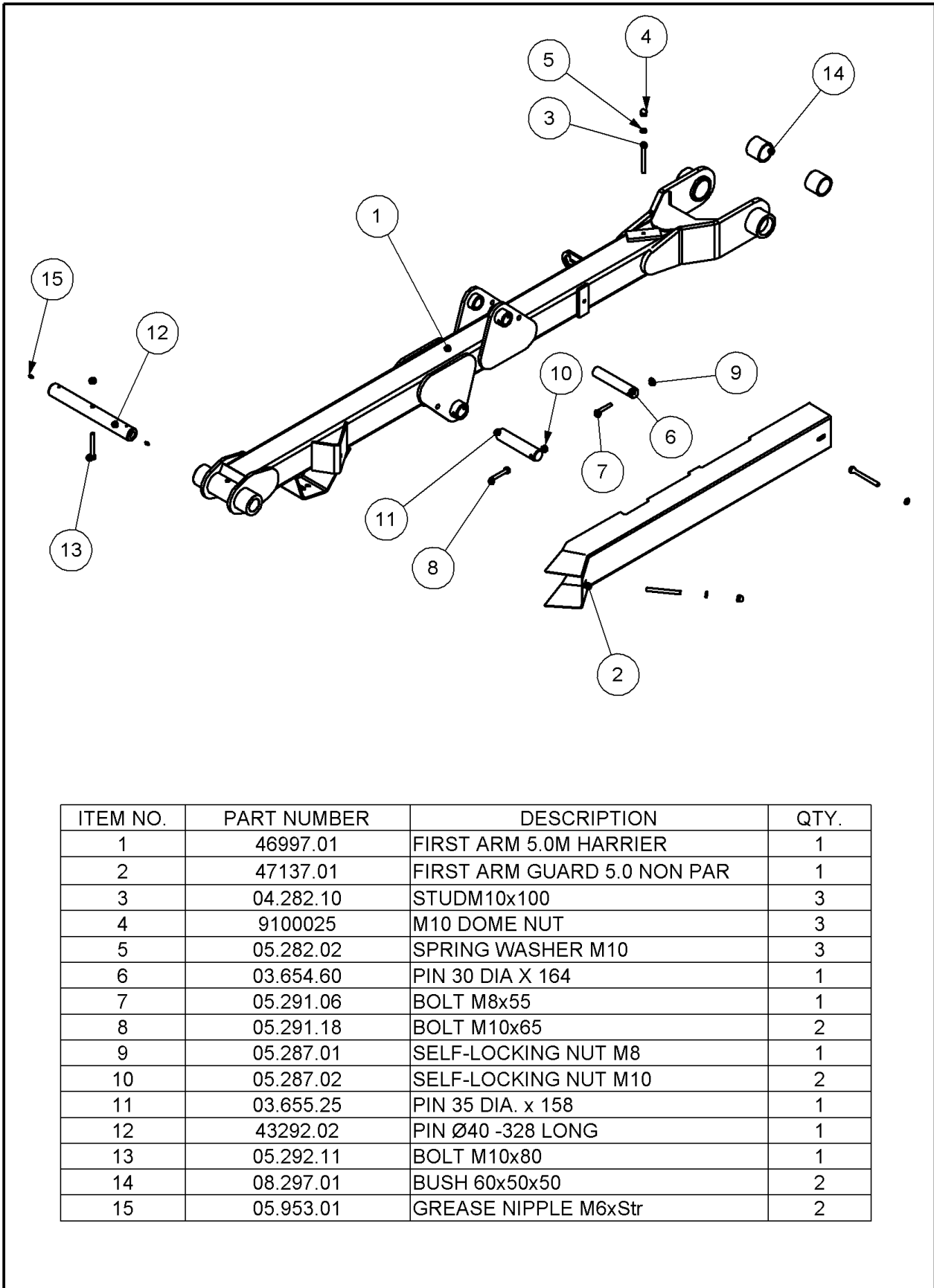
77.353.01 REV : A



ITEM NO.	PART NUMBER	DESCRIPTION	QTY.
1	47075.02	FIRST ARM - RH	1
2	47137.01	FIRST ARM GUARD 5.0 NON PAR	1
3	04.282.10	STUDM10x100	3
4	9100025	M10 DOME NUT	3
5	05.282.02	SPRING WASHER M10	3
6	03.654.60	PIN 30 DIA X 164	1
7	05.291.06	BOLT M8x55	1
8	05.291.18	BOLT M10x65	2
9	05.287.01	SELF-LOCKING NUT M8	1
10	05.287.02	SELF-LOCKING NUT M10	2
11	03.655.25	PIN 35 DIA. x 158	1
12	43292.02	PIN Ø40 -328 LONG	1
13	05.292.11	BOLT M10x80	1
14	08.297.01	BUSH 60x50x50	2
15	05.953.01	GREASE NIPPLE M6xStr	2

FIRST ARM ASSEMBLY LH NON

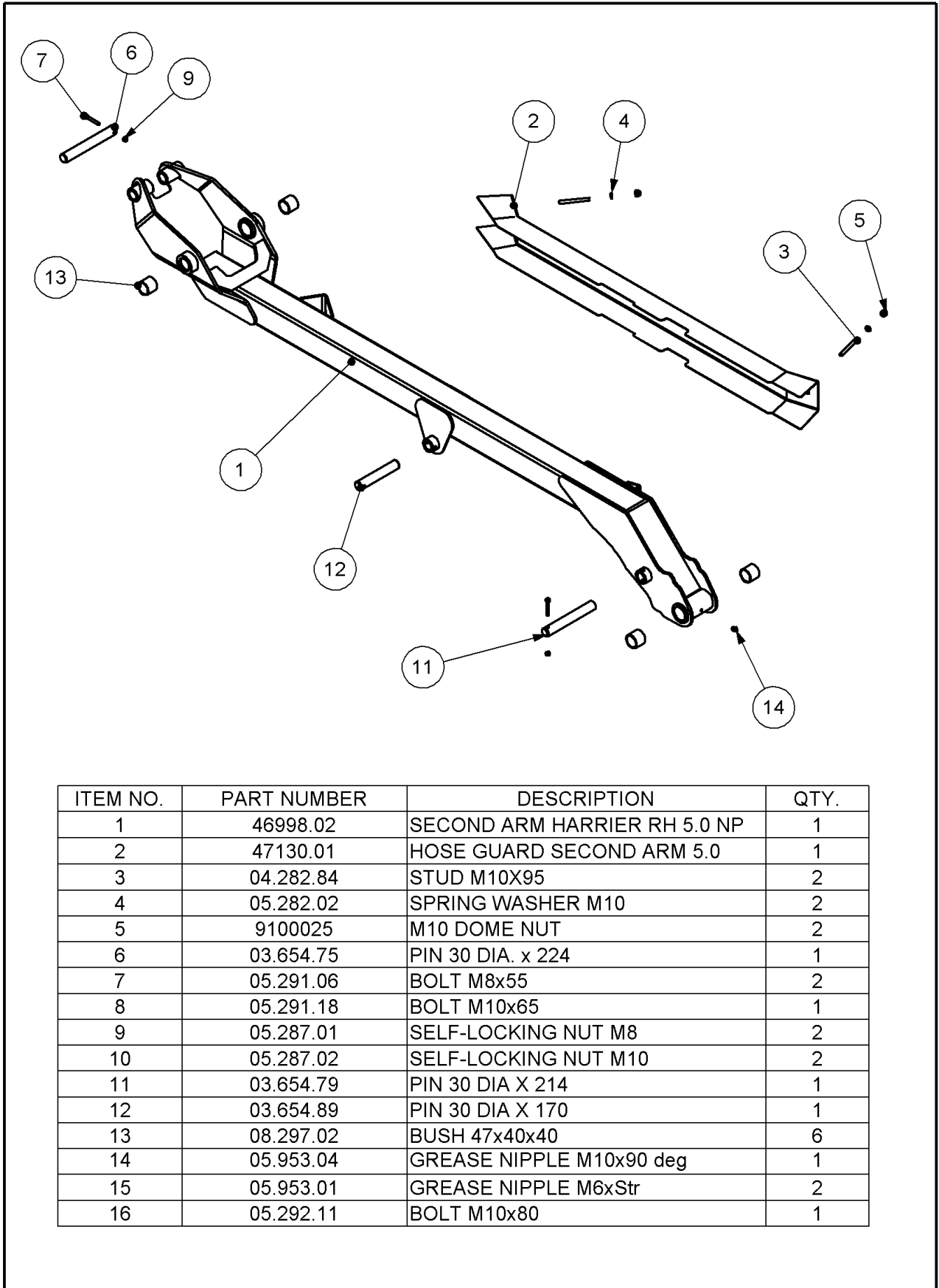
77.353.02 REV : A



ITEM NO.	PART NUMBER	DESCRIPTION	QTY.
1	46997.01	FIRST ARM 5.0M HARRIER	1
2	47137.01	FIRST ARM GUARD 5.0 NON PAR	1
3	04.282.10	STUDM10x100	3
4	9100025	M10 DOME NUT	3
5	05.282.02	SPRING WASHER M10	3
6	03.654.60	PIN 30 DIA X 164	1
7	05.291.06	BOLT M8x55	1
8	05.291.18	BOLT M10x65	2
9	05.287.01	SELF-LOCKING NUT M8	1
10	05.287.02	SELF-LOCKING NUT M10	2
11	03.655.25	PIN 35 DIA. x 158	1
12	43292.02	PIN Ø40 -328 LONG	1
13	05.292.11	BOLT M10x80	1
14	08.297.01	BUSH 60x50x50	2
15	05.953.01	GREASE NIPPLE M6xStr	2

SECOND ARM ASSY - NON PAR 5.0

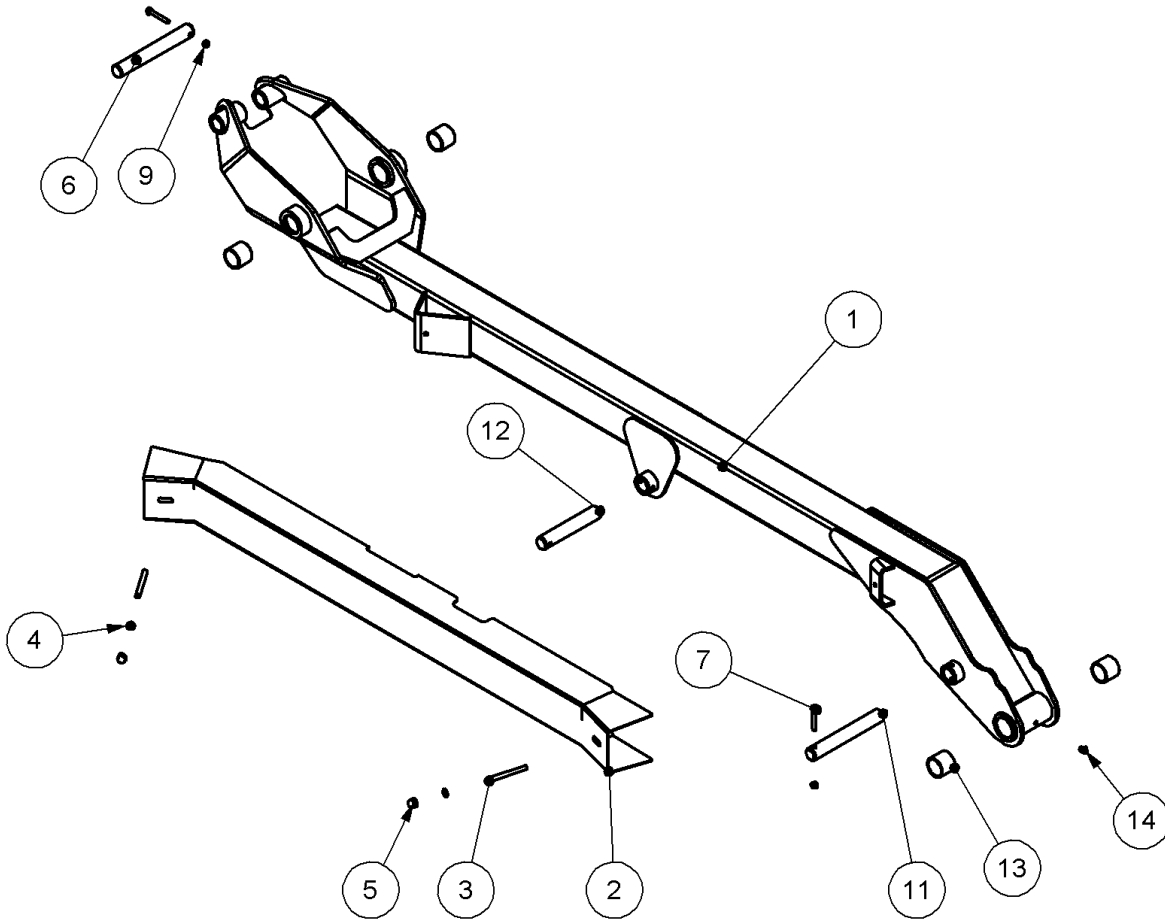
77.354.01 REV : A



ITEM NO.	PART NUMBER	DESCRIPTION	QTY.
1	46998.02	SECOND ARM HARRIER RH 5.0 NP	1
2	47130.01	HOSE GUARD SECOND ARM 5.0	1
3	04.282.84	STUD M10X95	2
4	05.282.02	SPRING WASHER M10	2
5	9100025	M10 DOME NUT	2
6	03.654.75	PIN 30 DIA. x 224	1
7	05.291.06	BOLT M8x55	2
8	05.291.18	BOLT M10x65	1
9	05.287.01	SELF-LOCKING NUT M8	2
10	05.287.02	SELF-LOCKING NUT M10	2
11	03.654.79	PIN 30 DIA X 214	1
12	03.654.89	PIN 30 DIA X 170	1
13	08.297.02	BUSH 47x40x40	6
14	05.953.04	GREASE NIPPLE M10x90 deg	1
15	05.953.01	GREASE NIPPLE M6xStr	2
16	05.292.11	BOLT M10x80	1

SECOND ARM ASSY NON PARALLEL

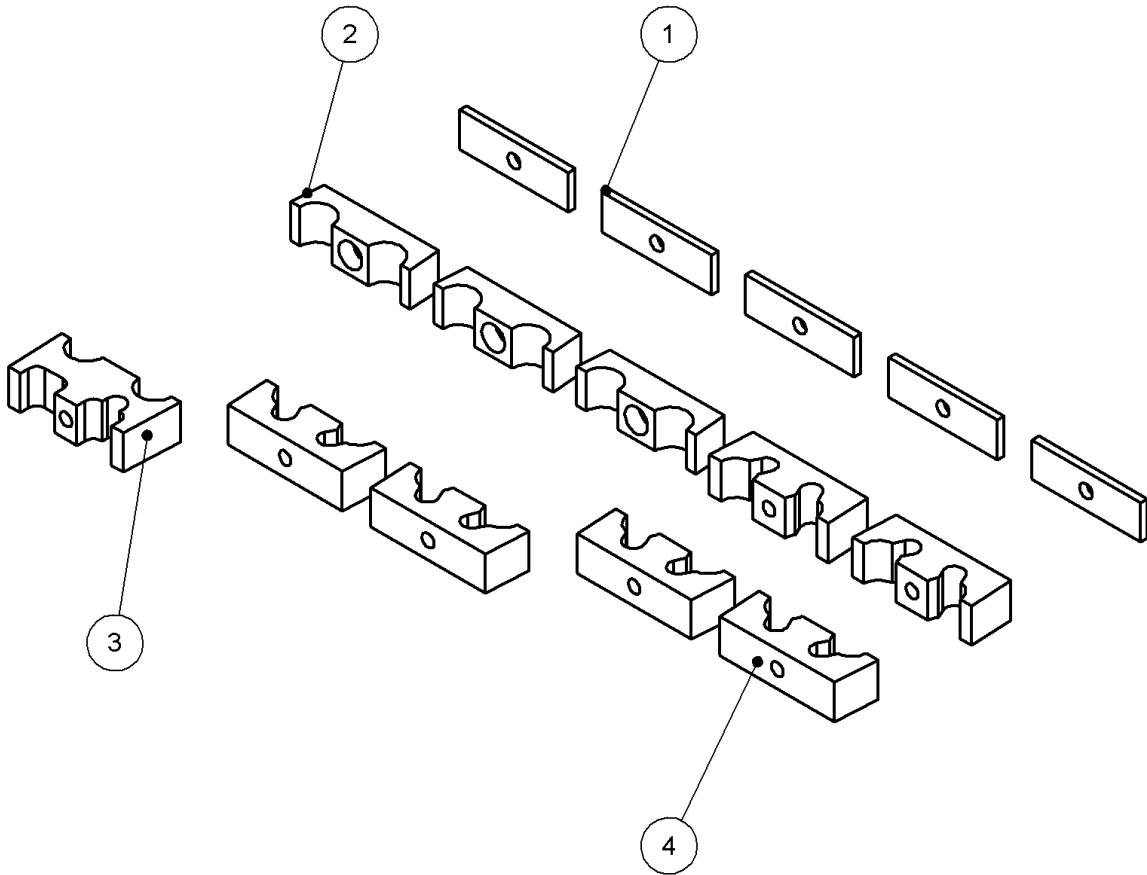
77.354.02 REV : A



ITEM NO.	PART NUMBER	DESCRIPTION	QTY.
1	46998.01	SECOND ARM 5.0M HARRIER	1
2	47130.01	HOSE GUARD SECOND ARM 5.0	1
3	04.282.84	STUD M10X95	2
4	05.282.02	SPRING WASHER M10	2
5	9100025	M10 DOME NUT	2
6	03.654.75	PIN 30 DIA. x 224	1
7	05.291.06	BOLT M8x55	2
8	05.291.18	BOLT M10x65	1
9	05.287.01	SELF-LOCKING NUT M8	2
10	05.287.02	SELF-LOCKING NUT M10	2
11	03.654.79	PIN 30 DIA X 214	1
12	03.654.89	PIN 30 DIA X 170	1
13	08.297.02	BUSH 47x40x40	6
14	05.953.04	GREASE NIPPLE M10x90 deg	1
15	05.953.01	GREASE NIPPLE M6xStr	2
16	05.292.11	BOLT M10x80	1

HOSE CLAMPS 70L NON PAR

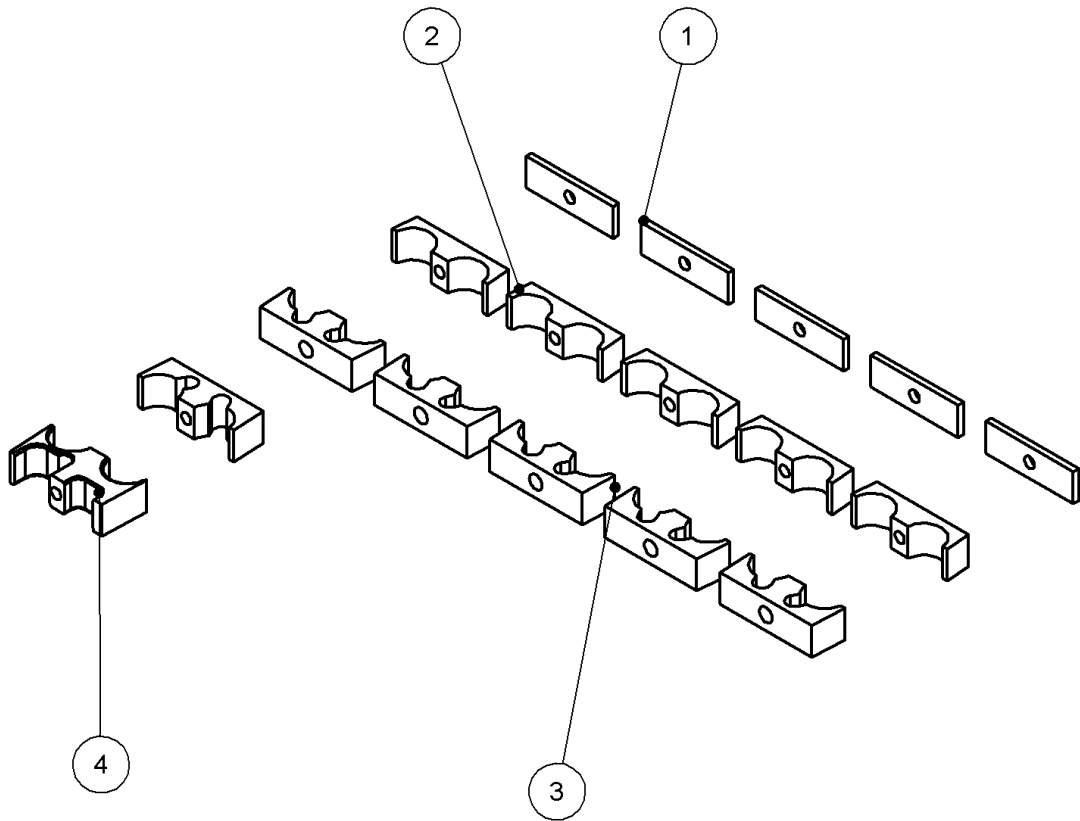
77.369.01 REV : A



ITEM NO.	PART NUMBER	DESCRIPTION	QTY.
1	06.418.05	CLAMP PLATE 95 x 6	5
2	06.430.15	HOSE CLAMP UPPER	3
3	06.430.16	HOSE CLAMP LOWER	1
4	06.430.20	HOSE CLAMP LOWER	6

HOSE CLAMPS 84L NON PAR

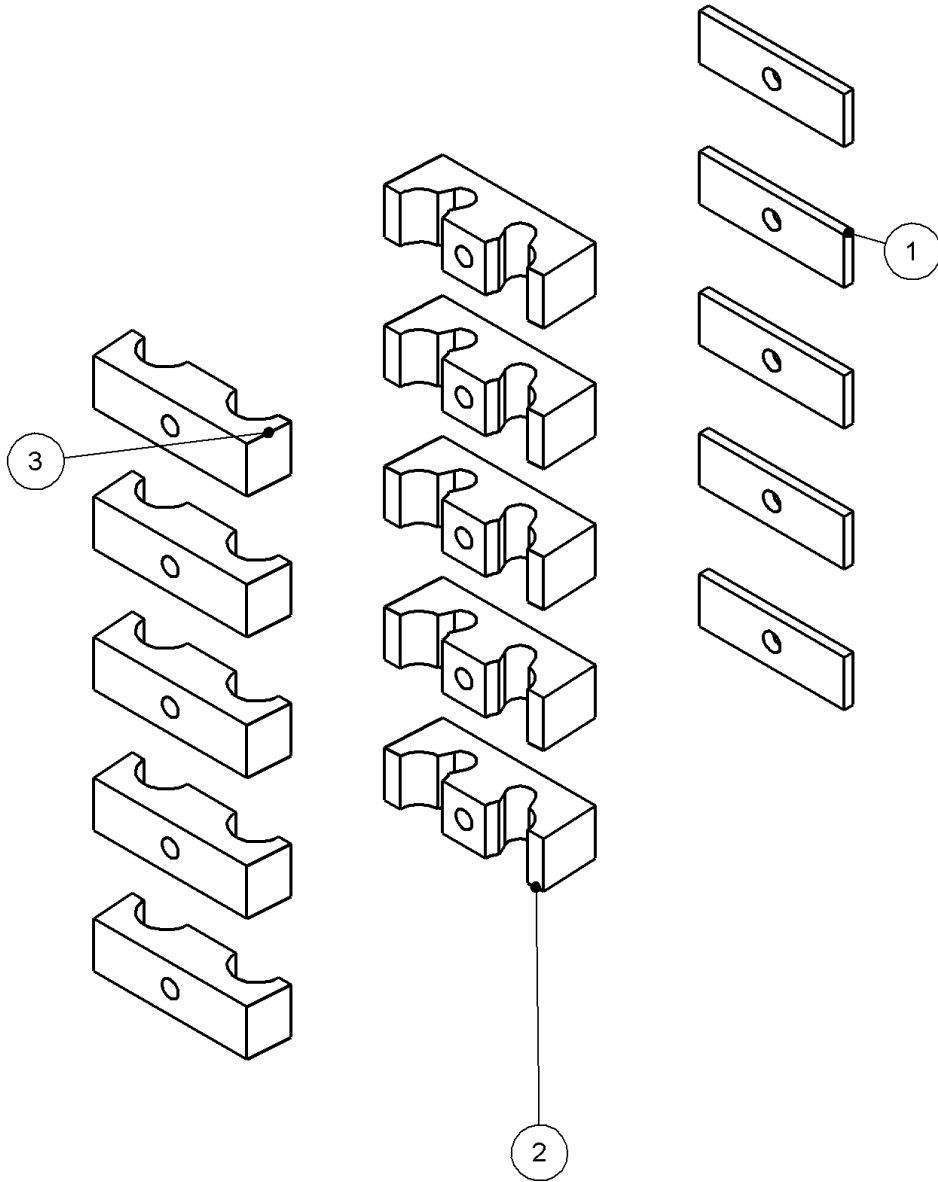
77.370.01 REV : A



ITEM NO.	PART NUMBER	DESCRIPTION	QTY.
1	06.418.05	CLAMP PLATE 95 x 6	5
2	30.217.76	30.217.76	5
3	45630.01	HOSE CLAMP-PLASTIC	6
4	06.430.18	HOSE CLAMP - LOWER	1

HOSE CLAMPS HARRIER 70L

77.336.01 REV : A

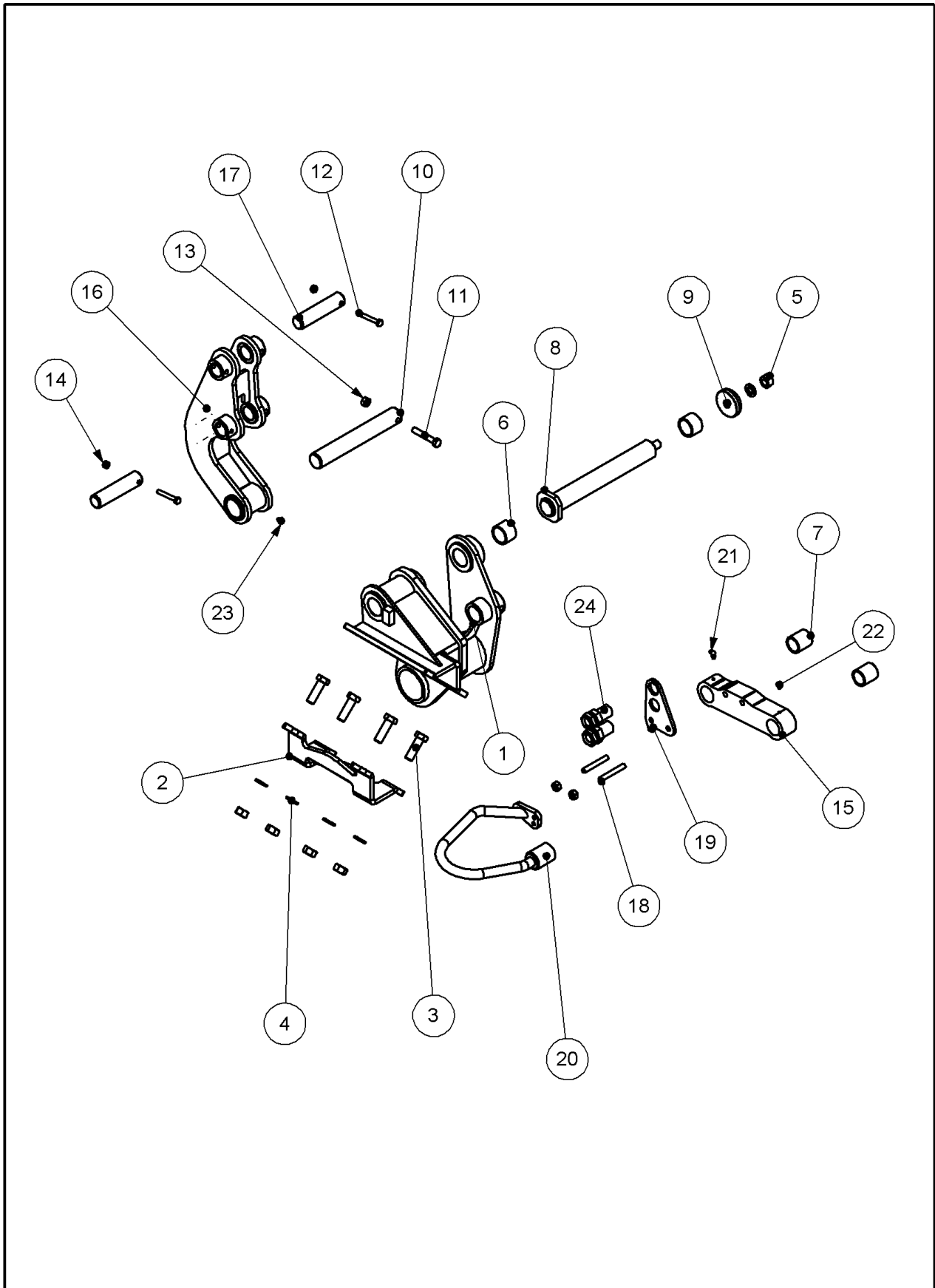


ITEM NO.	PART NUMBER	DESCRIPTION	QTY.
1	06.418.05	CLAMP PLATE 95 x 6	5
2	06.430.20A	HOSE CLAMP LOWER	5
3	06.430.15	HOSE CLAMP UPPER	5

This page is intentionally left blank.

COWL BRKT ASSY HARRIER 70L LH

77.339.01 REV : A



COWL BRKT ASSY HARRIER 70L LH

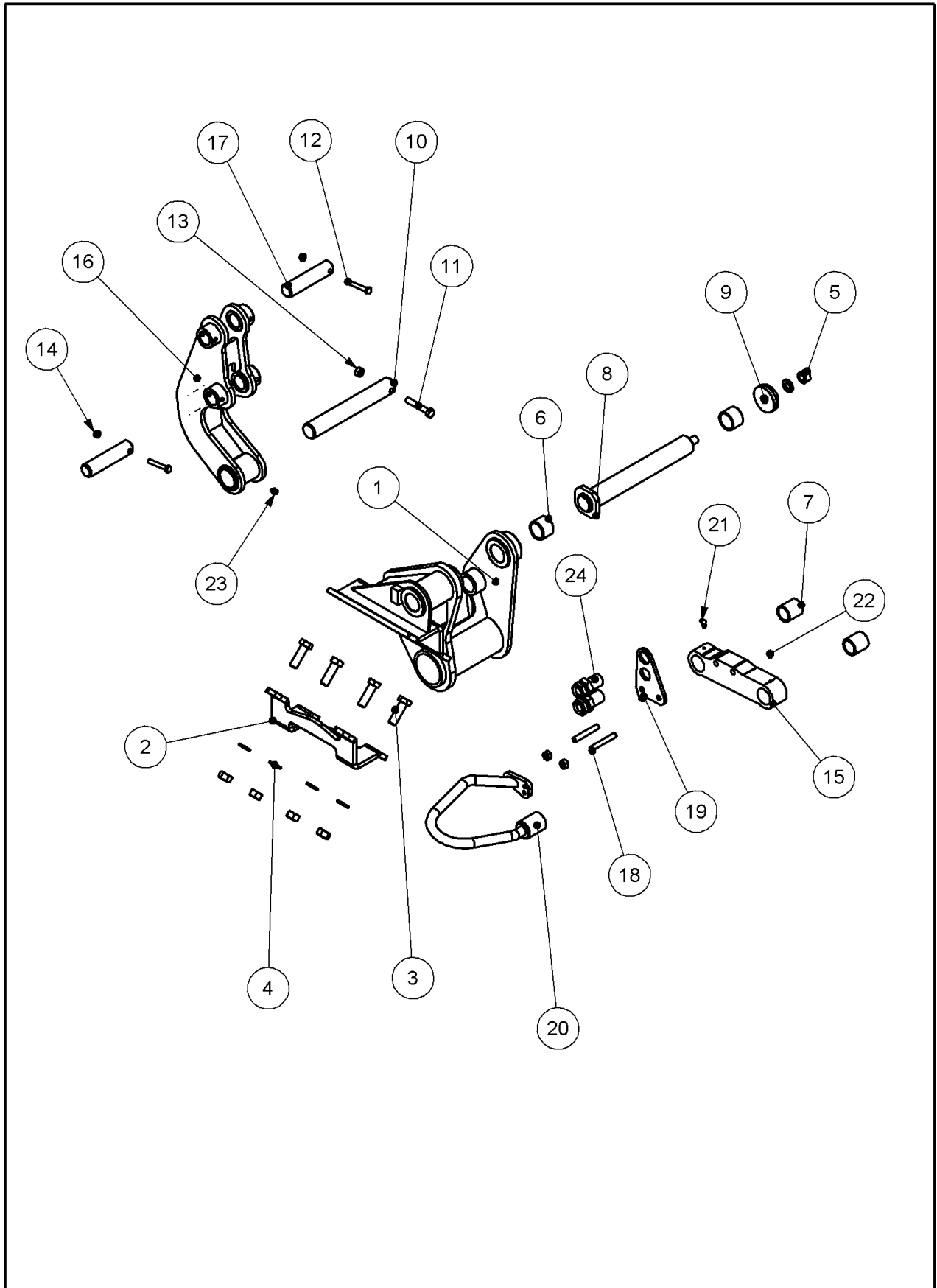
77.339.01 REV : A

COWL BRKT ASSY HARRIER 70L LH

ITEM NO.	PART NUMBER	DESCRIPTION	QTY.
1	46250.01	BRACKET - COWL LH	1
2	46273.01	CLAMPING PLATE	1
3	05.264.37	SETSCREW M16x50	4
4	05.282.04	SPRING WASHER M16	5
5	05.286.04	NUT M16	5
6	08.297.05	BUSH 42x35x30	2
7	08.297.10	BUSH 37x30x40	2
8	46251.01	PIN COWL PIVOT 40 DIA.	1
9	07.942.03	SPECIAL WASHER - M16	1
10	03.655.63	PIN - 35 DIA. x 240	1
11	05.291.18	BOLT M10x65	1
12	05.291.06	BOLT M8x55	2
13	05.287.02	SELF-LOCKING NUT M10	3
14	05.287.01	SELF-LOCKING NUT M8	2
15	45950.01	LINK - COWL	1
16	46090.01	LINK - COWL	1
17	03.654.59	PIN 30 DIA X 128	2
18	04.282.76	STUD M10X70	2
19	45491.04	PLATE 6MM-BULKHEAD 3/4" BSP	1
20	45954.01	GUARD - BULKHEAD	1
21	05.953.05	GREASE NIPPLE M6x90 deg	1
22	05.953.01	GREASE NIPPLE M6xStr	1
23	05.953.03	GREASE NIPPLE M10xStr	1
24	08.128.08	ADPR BULKHD 3/4"BSP C/W LNUT	2

COWL BRKT ASSY RH HARRIER 70L

77.339.02 REV : A



COWL BRKT ASSY RH HARRIER 70L

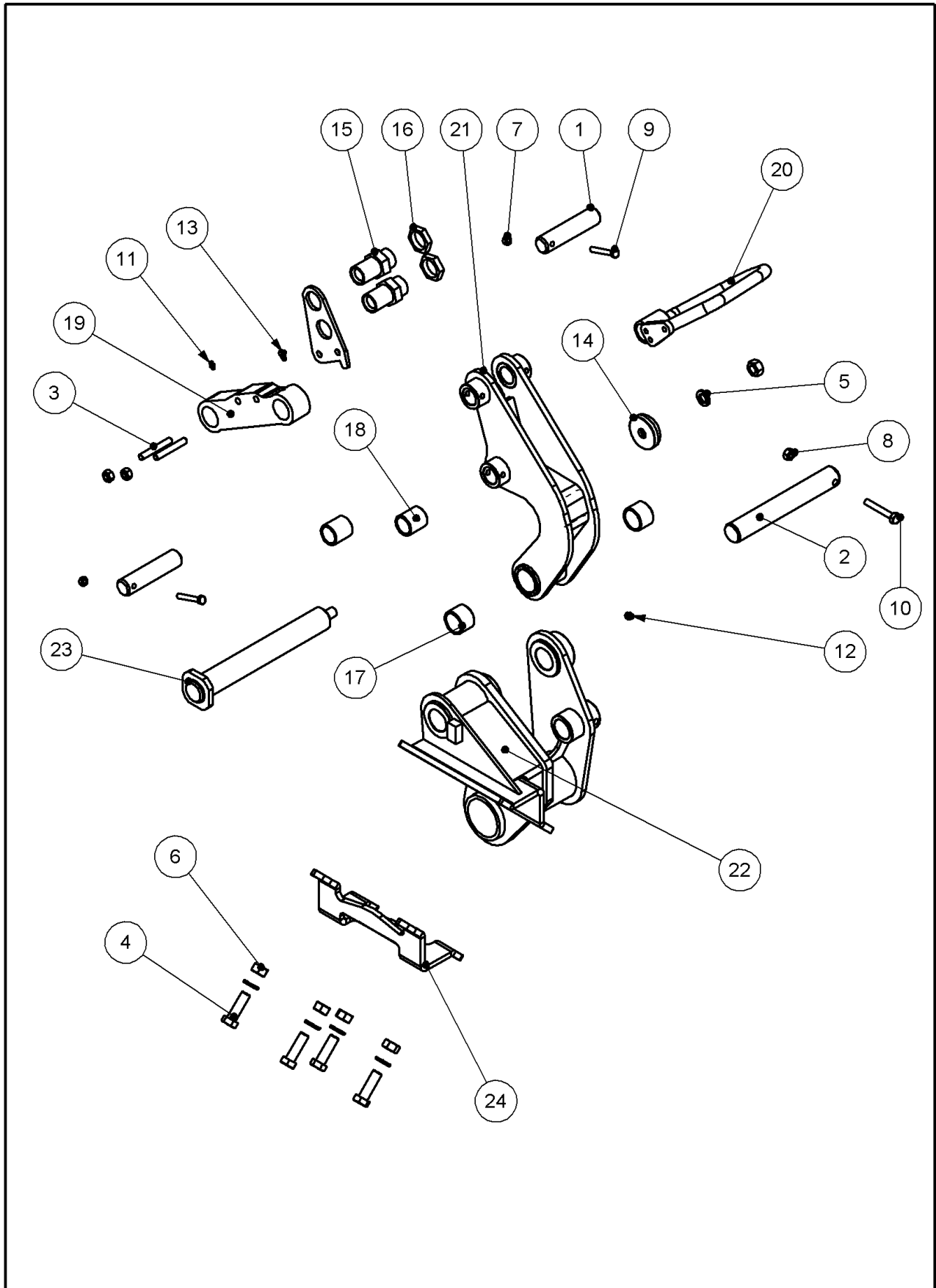
77.339.02 REV : A

COWL BRKT ASSY HARRIER 70L RH - 77.339.02

ITEM NO.	PART NUMBER	DESCRIPTION	QTY.
1	46250.02	BRACKET - COWL RH	1
2	46273.01	CLAMPING PLATE	1
3	05.264.37	SETSCREW M16x50	4
4	05.282.04	SPRING WASHER M16	5
5	05.286.04	NUT M16	5
6	08.297.05	BUSH 42x35x30	2
7	08.297.10	BUSH 37x30x40	2
8	46251.01	PIN COWL PIVOT 40 DIA.	1
9	07.942.03	SPECIAL WASHER - M16	1
10	03.655.63	PIN - 35 DIA. x 240	1
11	05.291.18	BOLT M10x65	1
12	05.291.06	BOLT M8x55	2
13	05.287.02	SELF-LOCKING NUT M10	3
14	05.287.01	SELF-LOCKING NUT M8	2
15	45950.01	LINK - COWL	1
16	46090.01	LINK - COWL	1
17	03.654.59	PIN 30 DIA X 128	2
18	04.282.76	STUD M10X70	2
19	45491.04	PLATE 6MM-BULKHEAD 3/4" BSP	1
20	45954.01	GUARD - BULKHEAD	1
21	05.953.05	GREASE NIPPLE M6x90 deg	1
22	05.953.01	GREASE NIPPLE M6xStr	1
23	05.953.03	GREASE NIPPLE M10xStr	1
24	08.128.08	ADPR BULKHD 3/4" BSP C/W LNUT	2

COWL BRKT ASSY LH

77.182.01 REV : B



COWL BRKT ASSY LH

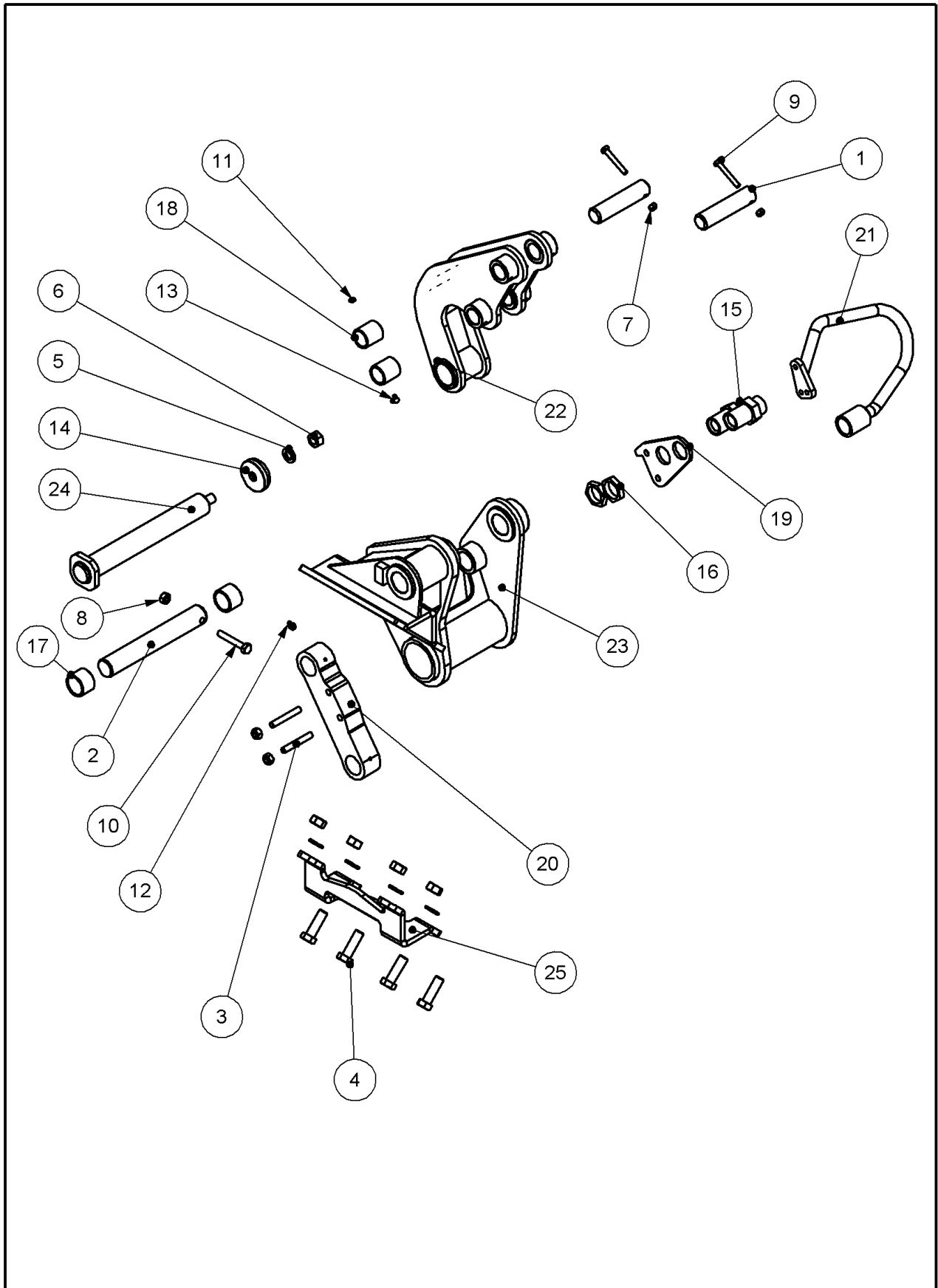
77.182.01 REV : B

COWL BRACKET ASSY LH HAWK - 77.182.01

ITEM NO.	PART NUMBER	DESCRIPTION	QTY.
1	03.654.59	PIN 30 DIA X 128	2
2	03.655.63	PIN - 35 DIA. x 240	1
3	04.282.76	STUD M10X70	2
4	05.264.37	SETSCREW M16x50	4
5	05.282.04	SPRING WASHER M16	5
6	05.286.04	NUT M16	5
7	05.287.01	SELF-LOCKING NUT M8	2
8	05.287.02	SELF-LOCKING NUT M10	3
9	05.291.06	BOLT M8x55	2
10	05.291.18	BOLT M10x65	1
11	05.953.01	GREASE NIPPLE M6xStr	1
12	05.953.03	GREASE NIPPLE M10xStr	1
13	05.953.05	GREASE NIPPLE M6x90 deg	1
14	07.942.03	SPECIAL WASHER - M16	1
15	08.128.03-32		2
16	08.128.03-31	NUT 1" BSP THIN	2
17	08.297.05	BUSH 42x35x30	2
18	08.297.10	BUSH 37x30x40	2
19	45491.01	PLATE	1
20	45950.01	LINK - COWL	1
21	45954.01	GUARD - BULKHEAD	1
22	46090.01	LINK - COWL	1
23	46250.01	BRACKET - COWL LH	1
24	46251.01	PIN COWL PIVOT 40 DIA.	1
25	46273.01	CLAMPING PLATE	1

COWL BRKT ASSY RH

77.182.02 REV : B



COWL BRKT ASSY RH

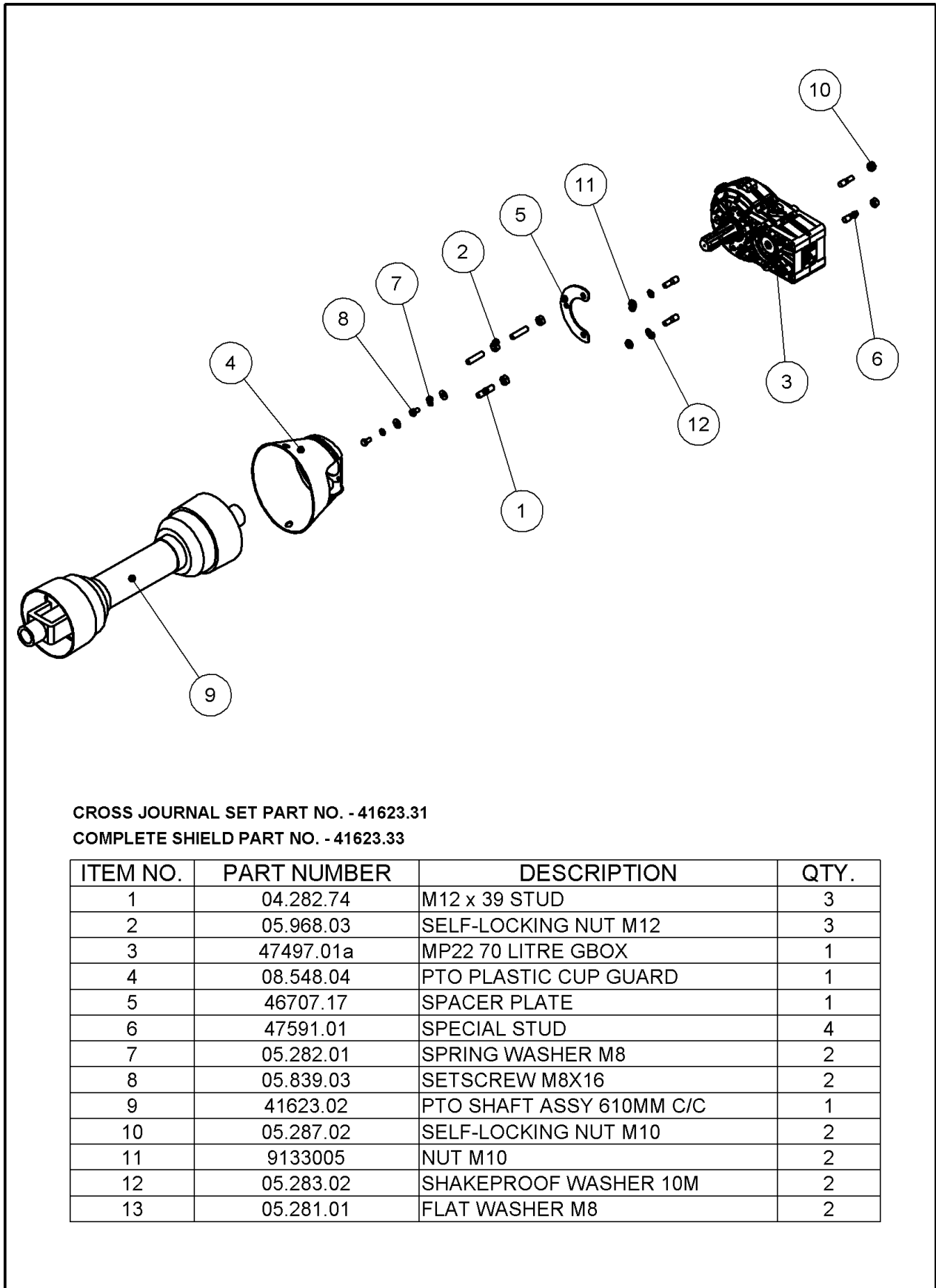
77.182.02 REV : B

COWL BRACKET ASSY RH HAWK - 77.182.02

ITEM NO.	PART NUMBER	DESCRIPTION	QTY.
1	03.654.59	PIN 30 DIA X 128	2
2	03.655.63	PIN - 35 DIA. x 240	1
3	04.282.76	STUD M10X70	2
4	05.264.37	SETSCREW M16x50	4
5	05.282.04	SPRING WASHER M16	5
6	05.286.04	NUT M16	5
7	05.287.01	SELF-LOCKING NUT M8	2
8	05.287.02	SELF-LOCKING NUT M10	3
9	05.291.06	BOLT M8x55	2
10	05.291.18	BOLT M10x65	1
11	05.953.01	GREASE NIPPLE M6xStr	1
12	05.953.03	GREASE NIPPLE M10xStr	1
13	05.953.05	GREASE NIPPLE M6x90 deg	1
14	07.942.03	SPECIAL WASHER - M16	1
15	08.128.03-32		2
16	08.128.03-31	NUT 1" BSP THIN	2
17	08.297.05	BUSH 42x35x30	2
18	08.297.10	BUSH 37x30x40	2
19	45491.01	PLATE	1
20	45950.01	LINK - COWL	1
21	45954.01	GUARD - BULKHEAD	1
22	46090.01	LINK - COWL	1
23	46250.02	BRACKET - COWL RH	1
24	46251.01	PIN COWL PIVOT 40 DIA.	1
25	46273.01	CLAMPING PLATE	1

PTO/GEARBOX ASSEMBLY

76.467.01 REV : A



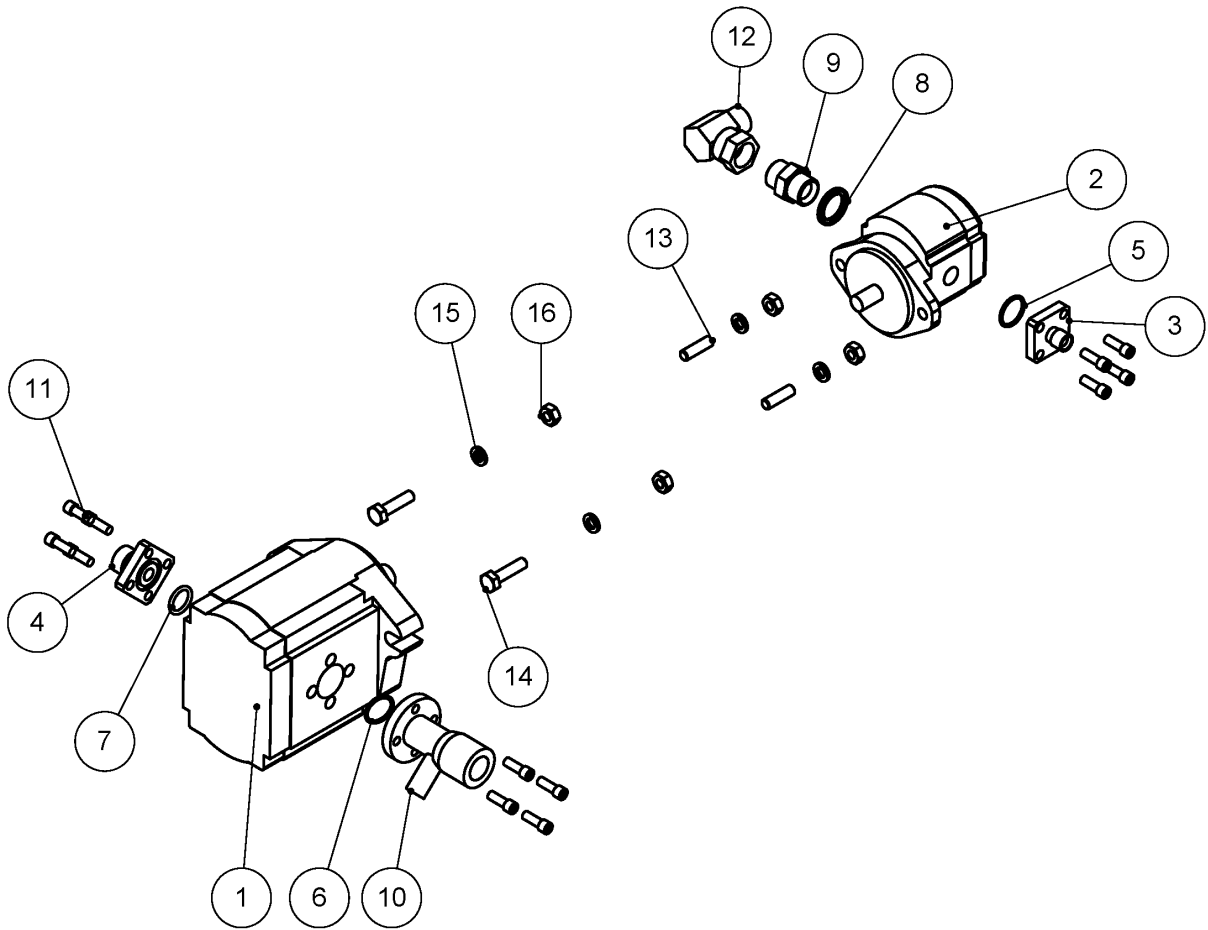
CROSS JOURNAL SET PART NO. - 41623.31

COMPLETE SHIELD PART NO. - 41623.33

ITEM NO.	PART NUMBER	DESCRIPTION	QTY.
1	04.282.74	M12 x 39 STUD	3
2	05.968.03	SELF-LOCKING NUT M12	3
3	47497.01a	MP22 70 LITRE GBOX	1
4	08.548.04	PTO PLASTIC CUP GUARD	1
5	46707.17	SPACER PLATE	1
6	47591.01	SPECIAL STUD	4
7	05.282.01	SPRING WASHER M8	2
8	05.839.03	SETSCREW M8X16	2
9	41623.02	PTO SHAFT ASSY 610MM C/C	1
10	05.287.02	SELF-LOCKING NUT M10	2
11	9133005	NUT M10	2
12	05.283.02	SHAKEPROOF WASHER 10M	2
13	05.281.01	FLAT WASHER M8	2

PUMPS ASSY

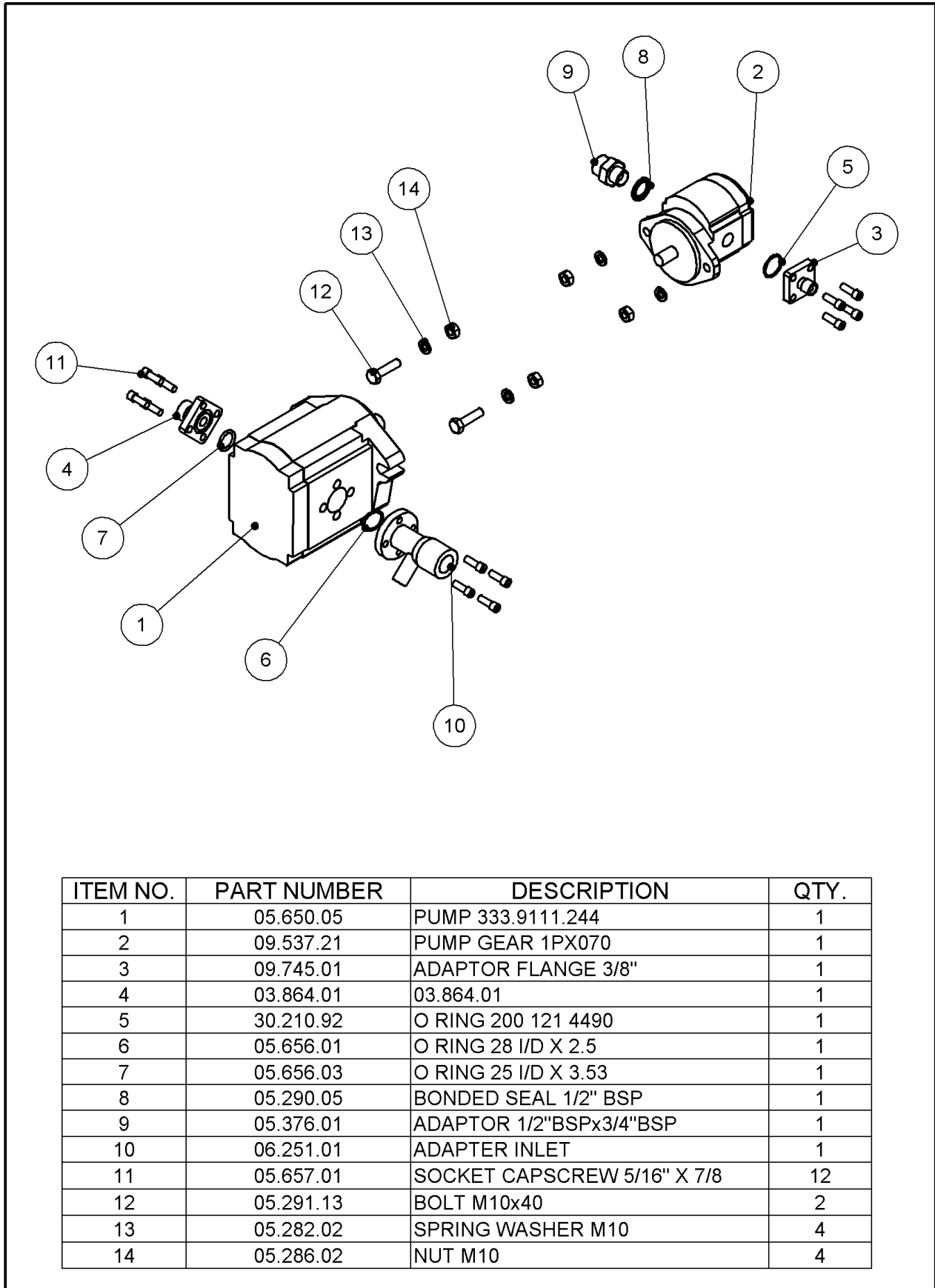
76.474.03 REV : A



ITEM NO.	PART NUMBER	DESCRIPTION	QTY.
1	05.650.05	PUMP 333.9111.244	1
2	09.537.03	GEAR PUMP 1PX150	1
3	09.745.01	ADAPTOR FLANGE 3/8"	1
4	03.864.01	03.864.01	1
5	30.210.92	O RING 200 121 4490	1
6	05.656.01	O RING 28 I/D X 2.5	1
7	05.656.03	O RING 25 I/D X 3.53	1
8	05.290.06	BONDED SEAL 3/4" BSP	1
9	05.377.01	ADAPTOR 3/4"BSPx3/4"BSP	1
10	06.251.01	ADAPTER INLET	1
11	05.657.01	SOCKET CAPSCREW 5/16" X 7/8	12
12	05.835.03	90 ADAPTOR M/F SWIVEL	1
13	03.100.01	STUD M10x34	2
14	05.291.13	BOLT M10x40	2
15	05.282.02	SPRING WASHER M10	4
16	05.286.02	NUT M10	4

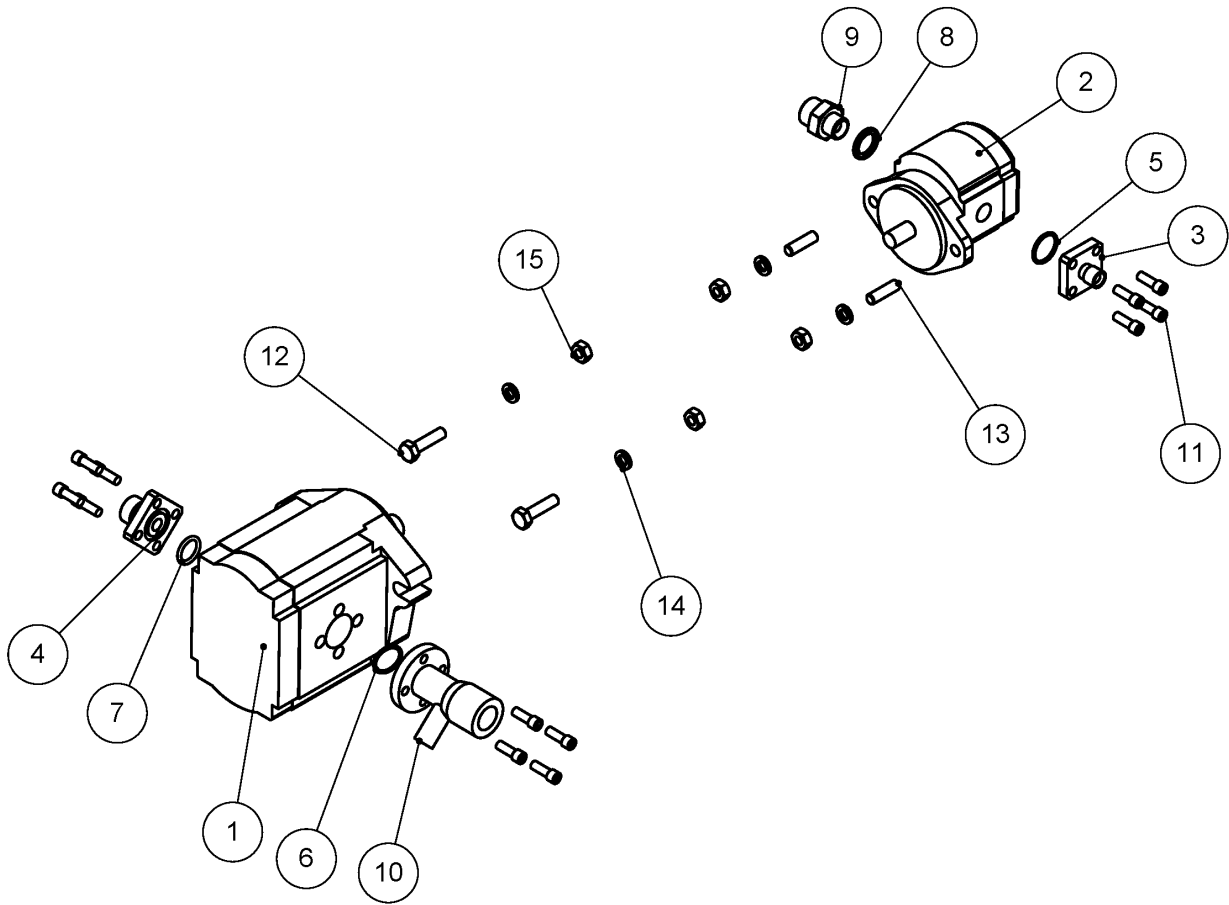
PUMPS ASSEMBLY LH

76.474.04 REV : A



ITEM NO.	PART NUMBER	DESCRIPTION	QTY.
1	05.650.05	PUMP 333.9111.244	1
2	09.537.21	PUMP GEAR 1PX070	1
3	09.745.01	ADAPTOR FLANGE 3/8"	1
4	03.864.01	03.864.01	1
5	30.210.92	O RING 200 121 4490	1
6	05.656.01	O RING 28 I/D X 2.5	1
7	05.656.03	O RING 25 I/D X 3.53	1
8	05.290.05	BONDED SEAL 1/2" BSP	1
9	05.376.01	ADAPTOR 1/2"BSPx3/4"BSP	1
10	06.251.01	ADAPTER INLET	1
11	05.657.01	SOCKET CAPSCREW 5/16" X 7/8	12
12	05.291.13	BOLT M10x40	2
13	05.282.02	SPRING WASHER M10	4
14	05.286.02	NUT M10	4

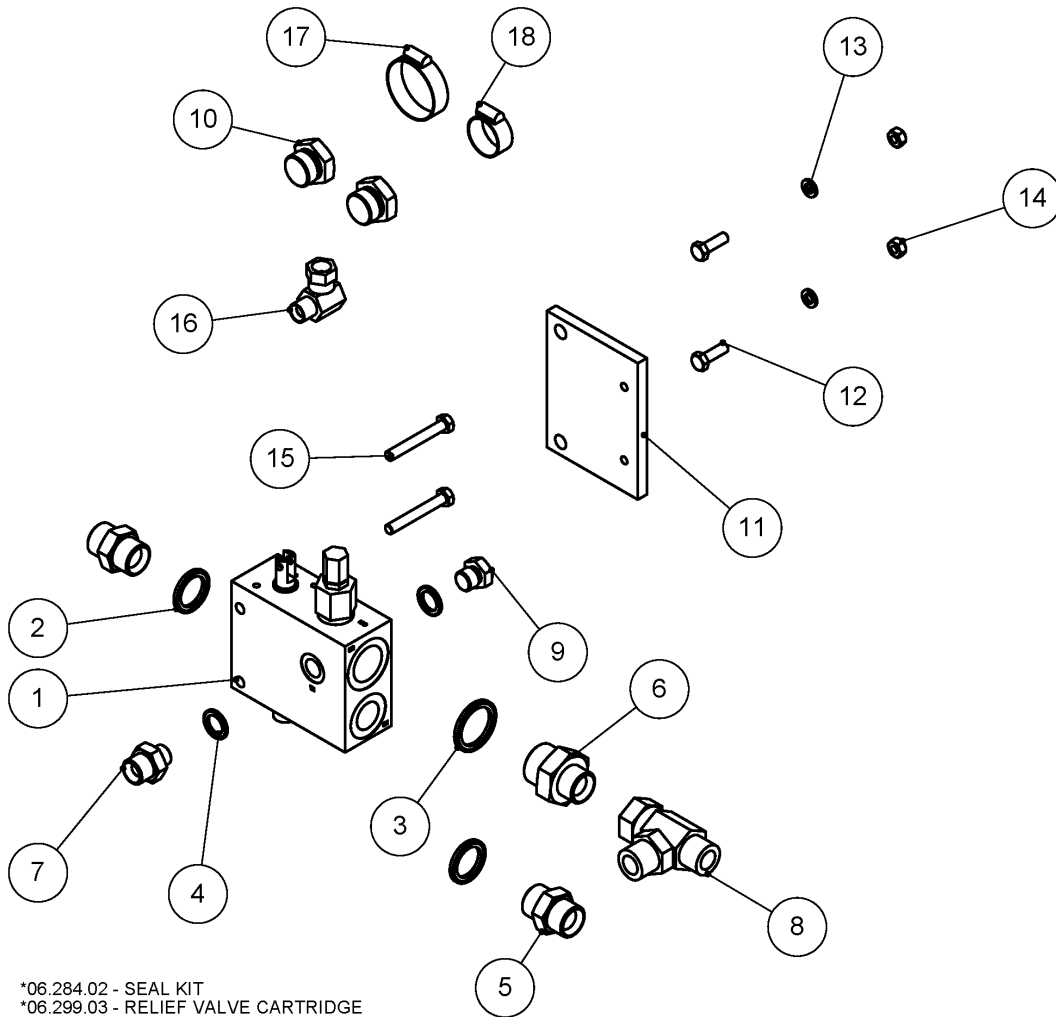
PUMP ASSY RH
76.474.05 REV : A



ITEM NO.	PART NUMBER	DESCRIPTION	QTY.
1	05.650.05	PUMP 333.9111.244	1
2	09.537.32	GEAR PUMP EX HANDLEY	1
3	09.745.01	ADAPTOR FLANGE 3/8"	1
4	03.864.01	03.864.01	1
5	30.210.92	O RING 200 121 4490	1
6	05.656.01	O RING 28 I/D X 2.5	1
7	05.656.03	O RING 25 I/D X 3.53	1
8	05.290.05	BONDED SEAL 1/2" BSP	1
9	05.376.01	ADAPTOR 1/2"BSPx3/4"BSP	1
10	06.251.01	ADAPTER INLET	1
11	05.657.01	SOCKET CAPSCREW 5/16" X 7/8	12
12	05.291.13	BOLT M10x40	2
13	03.100.01	STUD M10x34	2
14	05.282.02	SPRING WASHER M10	4
15	05.286.02	NUT M10	4

PUMP CIRCUIT NON/SLEW 70L

77.350.01 REV : A

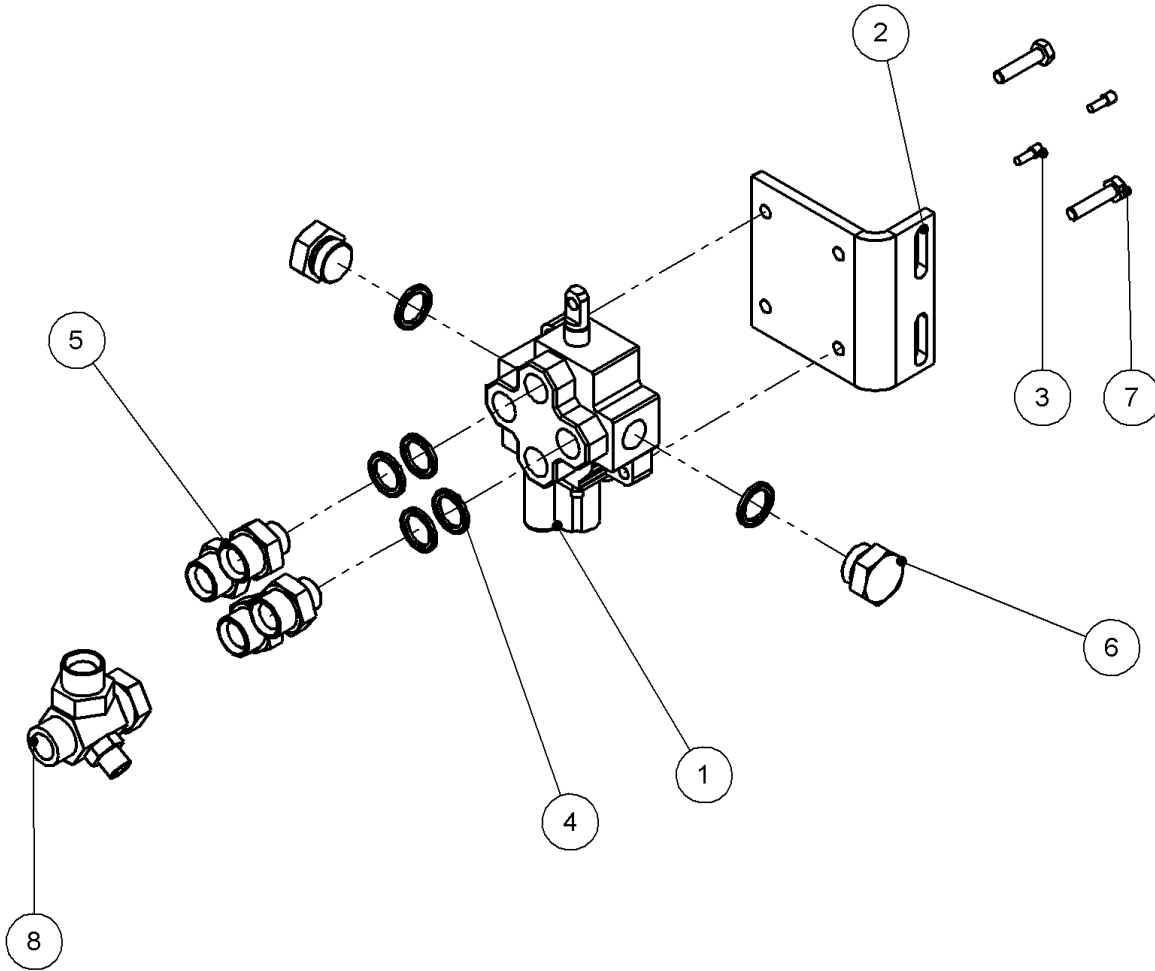


*06.284.02 - SEAL KIT
 *06.299.03 - RELIEF VALVE CARTRIDGE

ITEM NO.	PART NUMBER	DESCRIPTION	QTY.
1	06.284.16	DIVERTOR / RELIEF ASSY 209 BAR	1
2	05.290.06	BONDED SEAL 3/4" BSP	2
3	05.290.07	BONDED SEAL 1" BSP	1
4	05.290.04	BONDED SEAL 3/8" BSP	2
5	05.377.01	ADAPTOR 3/4"BSPx3/4"BSP	2
6	05.373.01	ADAPTOR 3/4"BSPx1"BSP	1
7	05.123.01	ADAPTOR 3/8"BSPx1/2"BSP	1
8	04.056.01	3/4" BSP TEE FMM	1
9	05.433.01	PLUG 3/8"BSP	1
10	05.313.01	PLUG 3/4" BSP	2
11	46058.01	PLATE - VALVE MOUNTING	1
12	05.264.02	SETSCREW M8x25	2
13	05.282.01	SPRING WASHER M8	2
14	05.287.01	SELF-LOCKING NUT M8	2
15	05.291.07	BOLT M8x60	2
16	05.835.01	90 ADAPTOR M/F SWIVEL	1
17	05.863.02	JUBILEE CLIP 2"DIA	3
18	05.863.03	JUBILEE CLIP 20-32 DIA	1

PUMP CIRCUIT CABLE DSR

77.126.03 REV : A

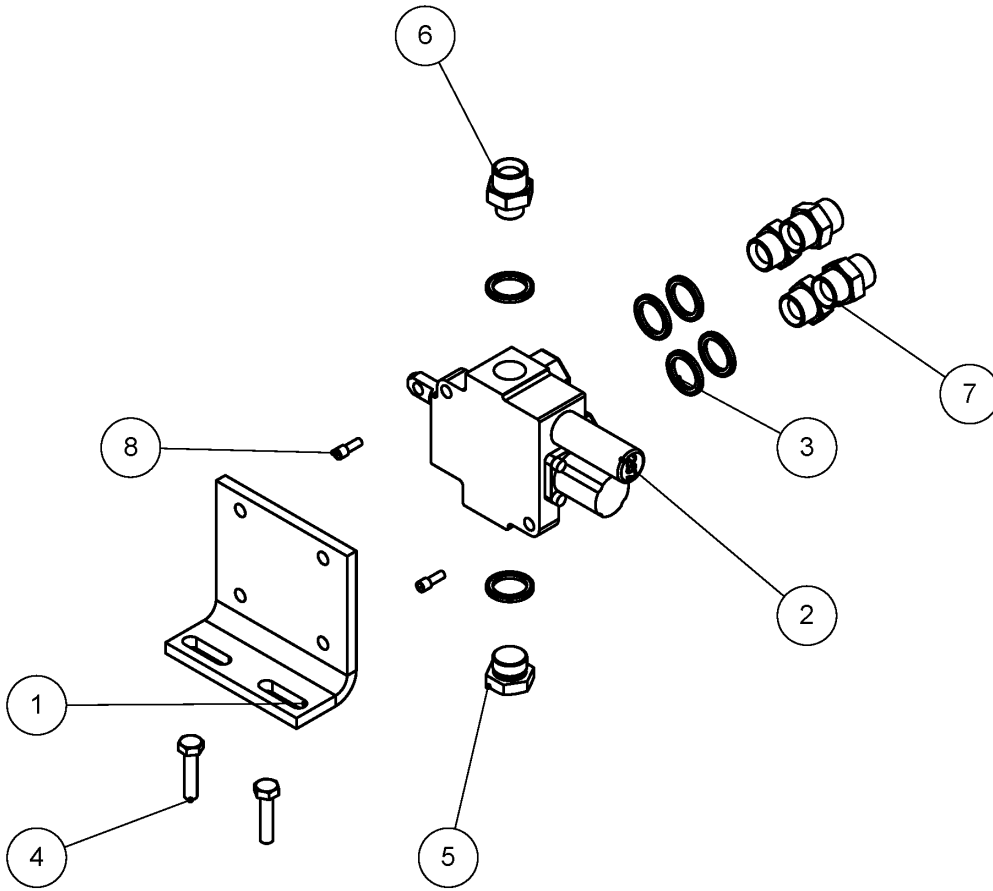


* 8125386 - SEAL KIT FOR 8125385

ITEM NO.	PART NUMBER	DESCRIPTION	QTY.
1	8125385	RCV 207BAR LH	1
2	46095.01	PLATE - VALVE MOUNTING	1
3	9343033	M6 X 16 SOCKET HEAD	2
4	05.290.06	BONDED SEAL 3/4" BSP	6
5	05.373.01	ADAPTOR 3/4"BSPx1"BSP	4
6	05.433.03	PLUG 1" BSP	2
7	05.291.14	BOLT M10x45	2
8	04.056.02	ADAPTOR	1

PUMP CIRCUIT CABLE

77.126.19 REV : A

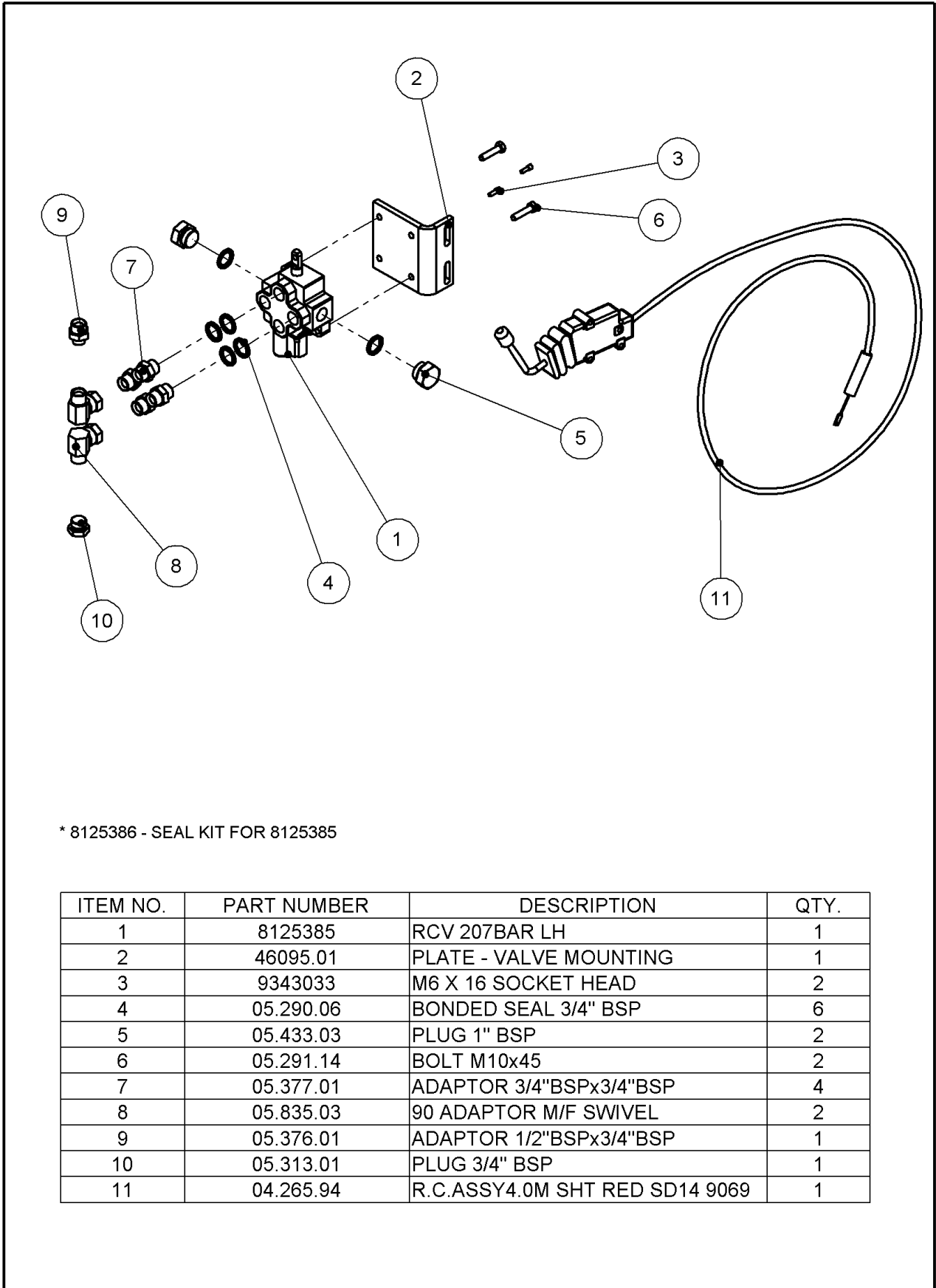


* 8125095 - CARTRIDGE

ITEM NO.	PART NUMBER	DESCRIPTION	QTY.
1	46095.01	PLATE - VALVE MOUNTING	1
2	48033.02	VALVE - ROTOR CONTROL DSR RH	1
3	05.290.06	BONDED SEAL 3/4" BSP	6
4	05.291.14	BOLT M10x45	2
5	05.313.01	PLUG 3/4" BSP	2
6	05.376.01	ADAPTOR 1/2"BSPx3/4"BSP	1
7	05.377.01	ADAPTOR 3/4"BSPx3/4"BSP	4
8	9343033	M6 X 16 SOCKET HEAD	2

PUMP CIRCUIT CA DSR

77.126.20 REV : A

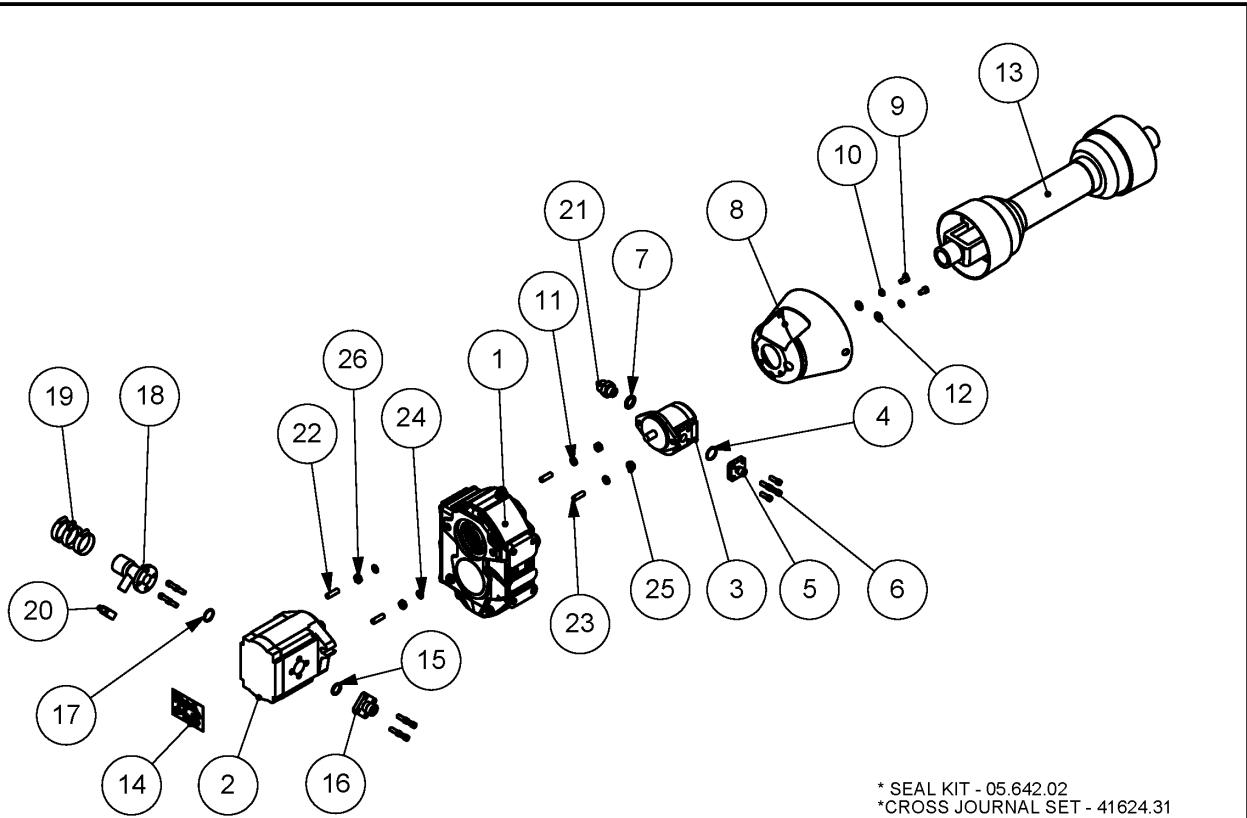


* 8125386 - SEAL KIT FOR 8125385

ITEM NO.	PART NUMBER	DESCRIPTION	QTY.
1	8125385	RCV 207BAR LH	1
2	46095.01	PLATE - VALVE MOUNTING	1
3	9343033	M6 X 16 SOCKET HEAD	2
4	05.290.06	BONDED SEAL 3/4" BSP	6
5	05.433.03	PLUG 1" BSP	2
6	05.291.14	BOLT M10x45	2
7	05.377.01	ADAPTOR 3/4"BSPx3/4"BSP	4
8	05.835.03	90 ADAPTOR M/F SWIVEL	2
9	05.376.01	ADAPTOR 1/2"BSPx3/4"BSP	1
10	05.313.01	PLUG 3/4" BSP	1
11	04.265.94	R.C.ASSY4.0M SHT RED SD14 9069	1

PTO/GEARBOX/PUMP CABLE

77.303.01 REV : A

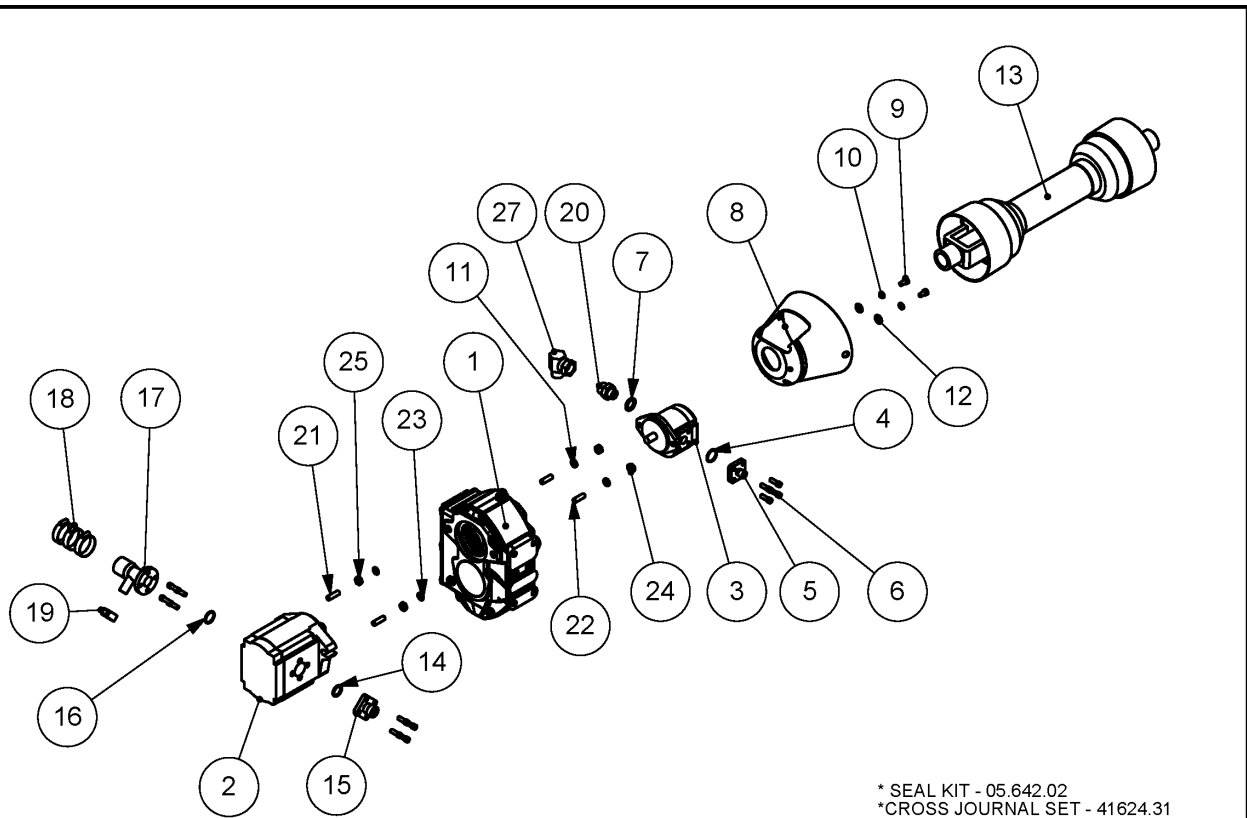


* SEAL KIT - 05.642.02
 *CROSS JOURNAL SET - 41624.31
 *COMPLETE SHIELD - 41624.32

ITEM NO.	PART NUMBER	DESCRIPTION	QTY.
1	47487.04	GEARBOX 3.6 : 1	1
2	05.650.05	PUMP 333.9111.244	1
3	09.537.21	PUMP GEAR 1PX070	1
4	30.210.92	O RING 200-121-4490	1
5	09.745.01	ADAPTOR FLANGE 3/8"	1
6	05.657.01	SOCKET CAPSCREW 5/16" X 7/8	12
7	05.290.05	BONDED SEAL 1/2" BSP	1
8	08.548.03	PLASTIC PTO CUP	1
9	05.839.03	SETSCREW M8X16	2
10	05.282.01	SPRING WASHER M8	2
11	05.282.02	SPRING WASHER M10	2
12	05.281.01	FLAT WASHER M8	2
13	41624.01	PTO (560CC) T50 SERIES	1
14	46749.02	BIMA GBOX DECAL	1
15	05.656.03	O RING 25 I/D X 3.53	1
16	03.864.01	03.864.01	1
17	05.656.01	O RING 28 I/D X 2.5	1
18	06.251.01	ADAPTER INLET	1
19	05.863.02	JUBILEE CLIP 2"DIA	3
20	05.863.03	JUBILEE CLIP 20-32 DIA	1
21	05.376.01	ADAPTOR 1/2"BSPx3/4"BSP	1
22	03.100.01	STUD M10x34	2
23	03.100.02	STUD M10 X 32	2
24	05.283.02	SHAKEPROOF WASHER 10M	2
25	05.286.02	NUT M10	2
26	9133005	M10 THIN PLAIN NUT	4
27	05.968.03	SELF-LOCKING NUT M12	4

PTO/GEARBOX/PUMP CABLE RH

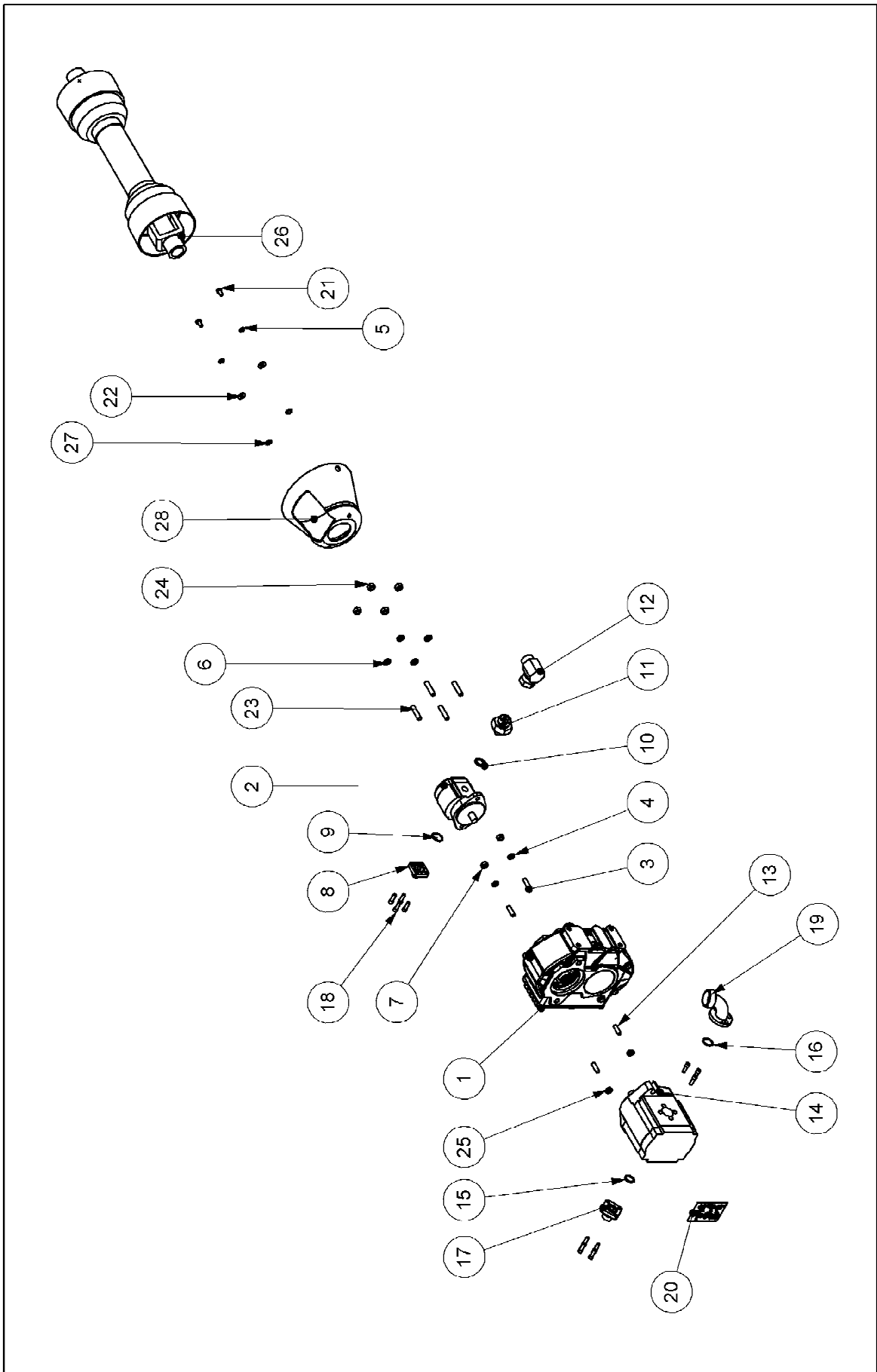
77.303.02 REV : A



* SEAL KIT - 05.642.02
 *CROSS JOURNAL SET - 41624.31
 *COMPLETE SHIELD - 41624.32

ITEM NO.	PART NUMBER	DESCRIPTION	QTY.
1	47487.04	GEARBOX 3.6 : 1	1
2	05.650.05	PUMP 333.9111.244	1
3	09.537.32	GEAR PUMP EX HANDLEY	1
4	30.210.92	O RING 200-121-4490	1
5	09.745.01	ADAPTOR FLANGE 3/8"	1
6	05.657.01	SOCKET CAPSCREW 5/16" X 7/8	12
7	05.290.05	BONDED SEAL 1/2" BSP	1
8	08.548.02	PLASTIC GUARD	1
9	05.839.03	SETScrew M8X16	2
10	05.282.01	SPRING WASHER M8	2
11	05.282.02	SPRING WASHER M10	2
12	05.281.01	FLAT WASHER M8	2
13	41624.01	PTO (560CC) T50 SERIES	1
14	05.656.03	O RING 25 I/D X 3.53	1
15	03.864.01	03.864.01	1
16	05.656.01	O RING 28 I/D X 2.5	1
17	06.251.01	ADAPTER INLET	1
18	05.863.02	JUBILEE CLIP 2"DIA	3
19	05.863.03	JUBILEE CLIP 20-32 DIA	1
20	05.376.01	ADAPTOR 1/2"BSPx3/4"BSP	1
21	03.100.01	STUD M10x34	2
22	03.100.02	STUD M10 X 32	2
23	05.283.02	SHAKEPROOF WASHER 10M	2
24	05.286.02	NUT M10	2
25	9133005	M10 THIN PLAIN NUT	4
26	05.968.03	SELF-LOCKING NUT M12	4
27	05.835.03	90 ADAPTOR M/F SWIVEL	3

PTO/GEARBOX/PUMP CABLERH 10599
77.211.12 REV: A



PTO/GEARBOX/PUMP CABLERH 10599

77.211.12 REV : A

PTO/G'BOX/PUMP ASSY CABLE RH 10599 - 77.211.12

ITEM NO.	PART NUMBER	DESCRIPTION	QTY.
1	47487.04	GEARBOX 3.6 : 1	1
2	09.537.21	PUMP GEAR 1PX070	1
3	03.100.01	STUD M10x34	2
4	05.282.02	SPRING WASHER M10	2
5	05.282.01	SPRING WASHER M8	2
6	05.282.03	SPRING WASHER M12	4
7	05.286.02	NUT M10	2
8	09.745.01	ADAPTOR FLANGE 3/8"	1
9	30.210.92	O RING 200-121-4490	1
10	05.290.05	BONDED SEAL 1/2" BSP	1
11	30.059.84	ADAPTOR	1
12	05.835.02	90 ADAPTOR M/F SWIVEL	1
13	03.100.02	STUD M10 X 32	2
14	05.650.05	PUMP 333.9111.244	1
15	05.656.03	O RING 25 I/D X 3.53	1
16	05.656.01	O RING 28 I/D X 2.5	1
17	03.864.01	03.864.01	1
18	05.657.01	SOCKET CAPSCREW 5/16" X 7/8	11
19	42588.02	ADAPTOR - FLANGED	1
20	46749.02	BIMA GBOX DECAL	1
21	05.839.03	SETSCREW M8X16	2
22	05.281.01	FLAT WASHER M8	2
23	04.282.74	M12 x 39 STUD	4
24	05.968.03	SELF-LOCKING NUT M12	4
25	9133005	M10 THIN PLAIN NUT	4
26	41624.01	PTO (560CC) T50 SERIES	1
27	05.283.02	SHAKEPROOF WASHER 10M	2
28	08.548.05	GUARD - PTO	1

* 42693.21 - SEAL KIT FOR 42693.04 GEARBOX

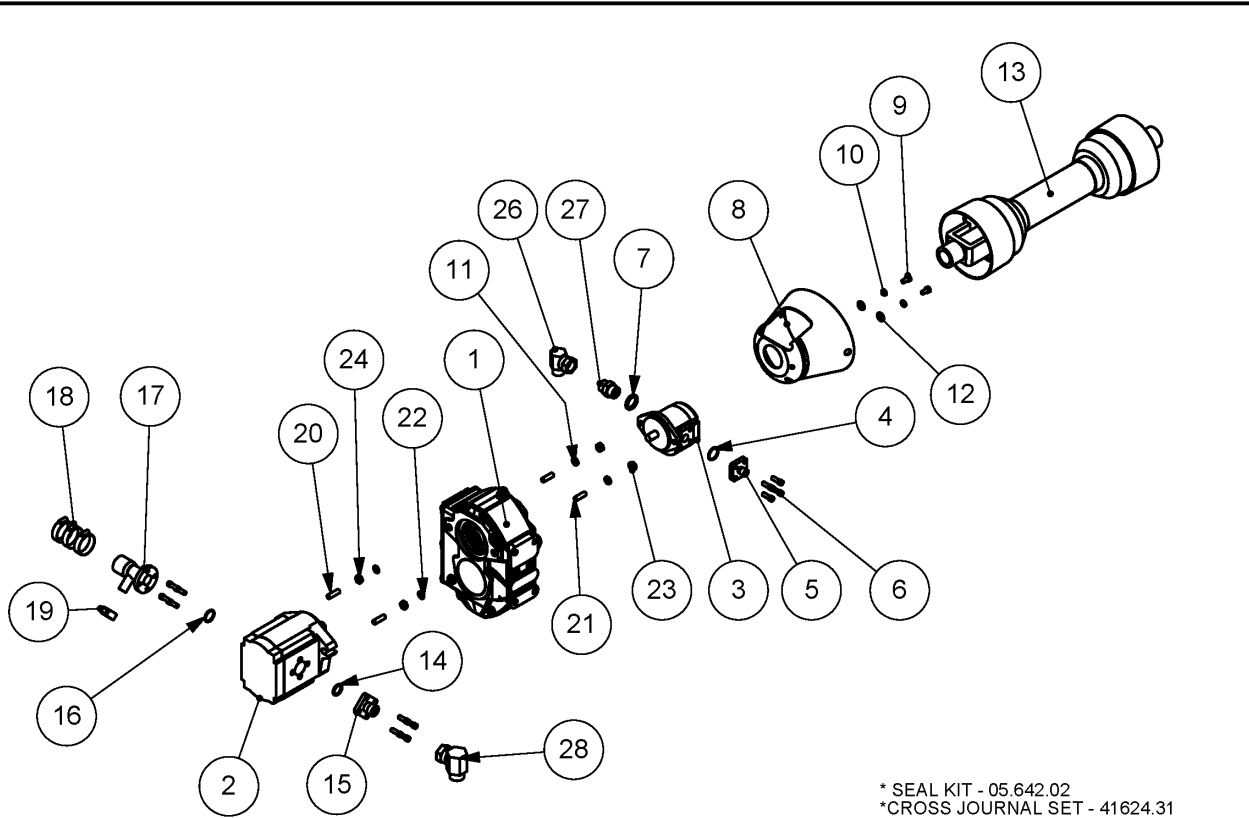
* 46078.02 - SEAL SET FOR 46078.01

* 09.537.25 - SEAL KIT FOR PUMP 09.537.01

* 05.642.02 - SEAL KIT FOR PUMP 05.650.05

PTO/GBOX/PUMP

77.303.03 REV : A

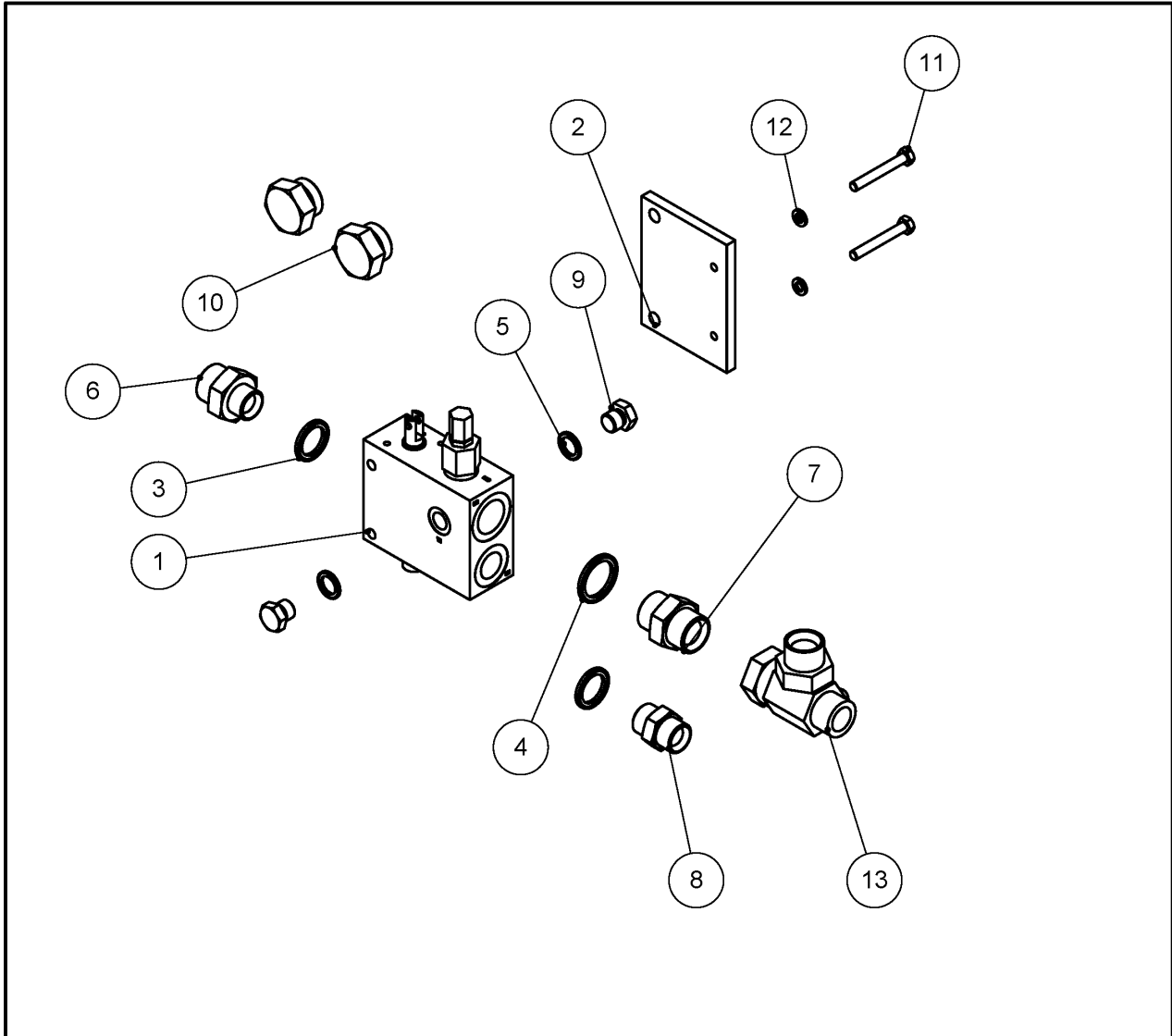


* SEAL KIT - 05.642.02
 *CROSS JOURNAL SET - 41624.31
 *COMPLETE SHIELD - 41624.32

ITEM NO.	PART NUMBER	DESCRIPTION	QTY.
1	47487.04	GEARBOX 3.6 : 1	1
2	05.650.05	PUMP 333.9111.244	1
3	09.537.03	GEAR PUMP 1PX150	1
4	30.210.92	O RING 200-121-4490	1
5	09.745.01	ADAPTOR FLANGE 3/8"	1
6	05.657.01	SOCKET CAPSCREW 5/16" X 7/8	12
7	05.290.06	BONDED SEAL 3/4" BSP	1
8	08.548.02	PLASTIC GUARD	1
9	05.839.03	SETSCREW M8X16	2
10	05.282.01	SPRING WASHER M8	2
11	05.282.02	SPRING WASHER M10	2
12	05.281.01	FLAT WASHER M8	2
13	41624.01	PTO (560CC) T50 SERIES	1
14	05.656.03	O RING 25 I/D X 3.53	1
15	03.864.01	03.864.01	1
16	05.656.01	O RING 28 I/D X 2.5	1
17	06.251.01	ADAPTER INLET	1
18	05.863.02	JUBILEE CLIP 2"DIA	3
19	05.863.03	JUBILEE CLIP 20-32 DIA	1
20	03.100.01	STUD M10x34	2
21	03.100.02	STUD M10 X 32	2
22	05.283.02	SHAKEPROOF WASHER 10M	2
23	05.286.02	NUT M10	2
24	9133005	M10 THIN PLAIN NUT	4
25	05.968.03	SELF-LOCKING NUT M12	4
26	05.835.03	90 ADAPTOR M/F SWIVEL	3
27	05.377.01	ADAPTOR 3/4" BSPx3/4" BSP	1
28	05.835.02	90 ADAPTOR M/F SWIVEL	1

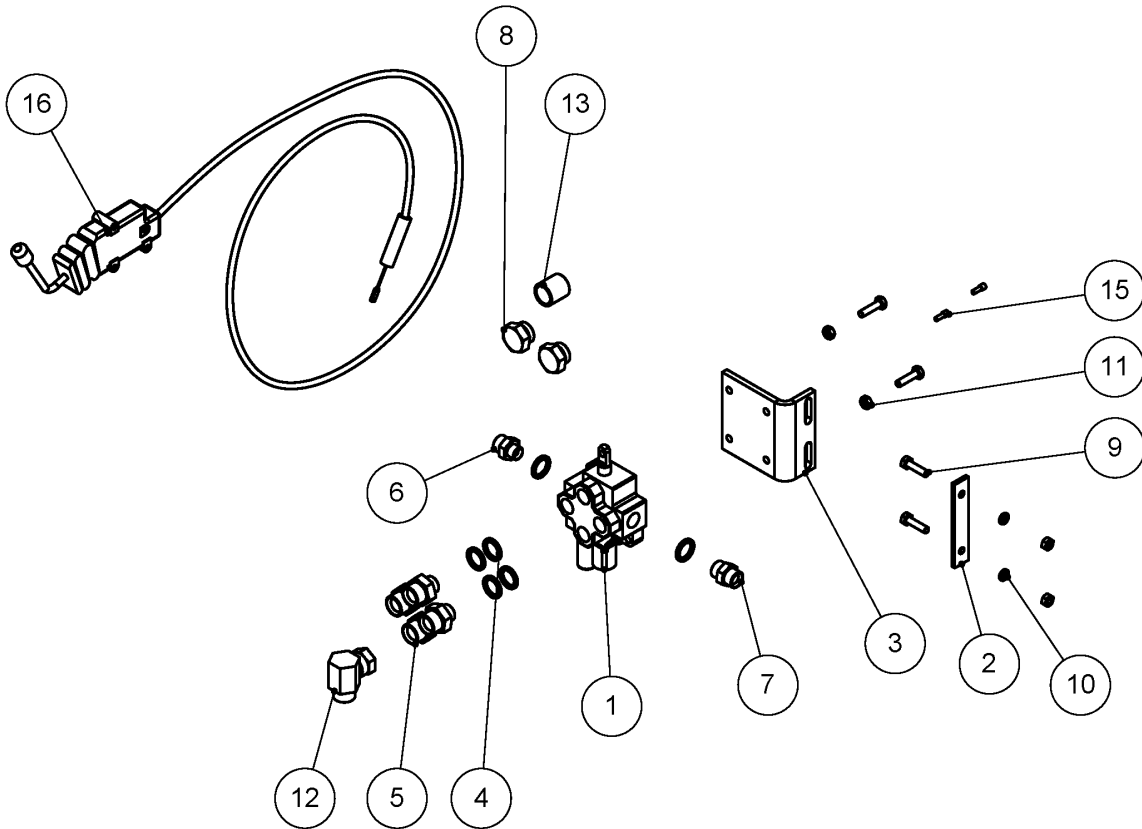
PUMP CIRCUIT CABLE

77.126.18 REV : A



ITEM NO.	PART NUMBER	DESCRIPTION	QTY.
1	06.284.16	DIVERTOR / RELIEF ASSY 209 BAR	1
2	46058.01	PLATE - VALVE MOUNTING	1
3	05.290.06	BONDED SEAL 3/4" BSP	2
4	05.290.07	BONDED SEAL 1" BSP	1
5	05.290.04	BONDED SEAL 3/8" BSP	2
6	05.373.01	ADAPTOR 3/4"BSPx1"BSP	1
7	05.434.01	ADAPTOR 1"BSPx1"BSP	1
8	05.377.01	ADAPTOR 3/4"BSPx3/4"BSP	1
9	05.433.01	PLUG 3/8"BSP	2
10	05.433.03	PLUG 1" BSP	2
11	05.291.07	BOLT M8x60	2
12	05.282.01	SPRING WASHER M8	2
13	04.056.02	ADAPTOR	1

CABLE DSR ASSY
77.188.02 REV : A

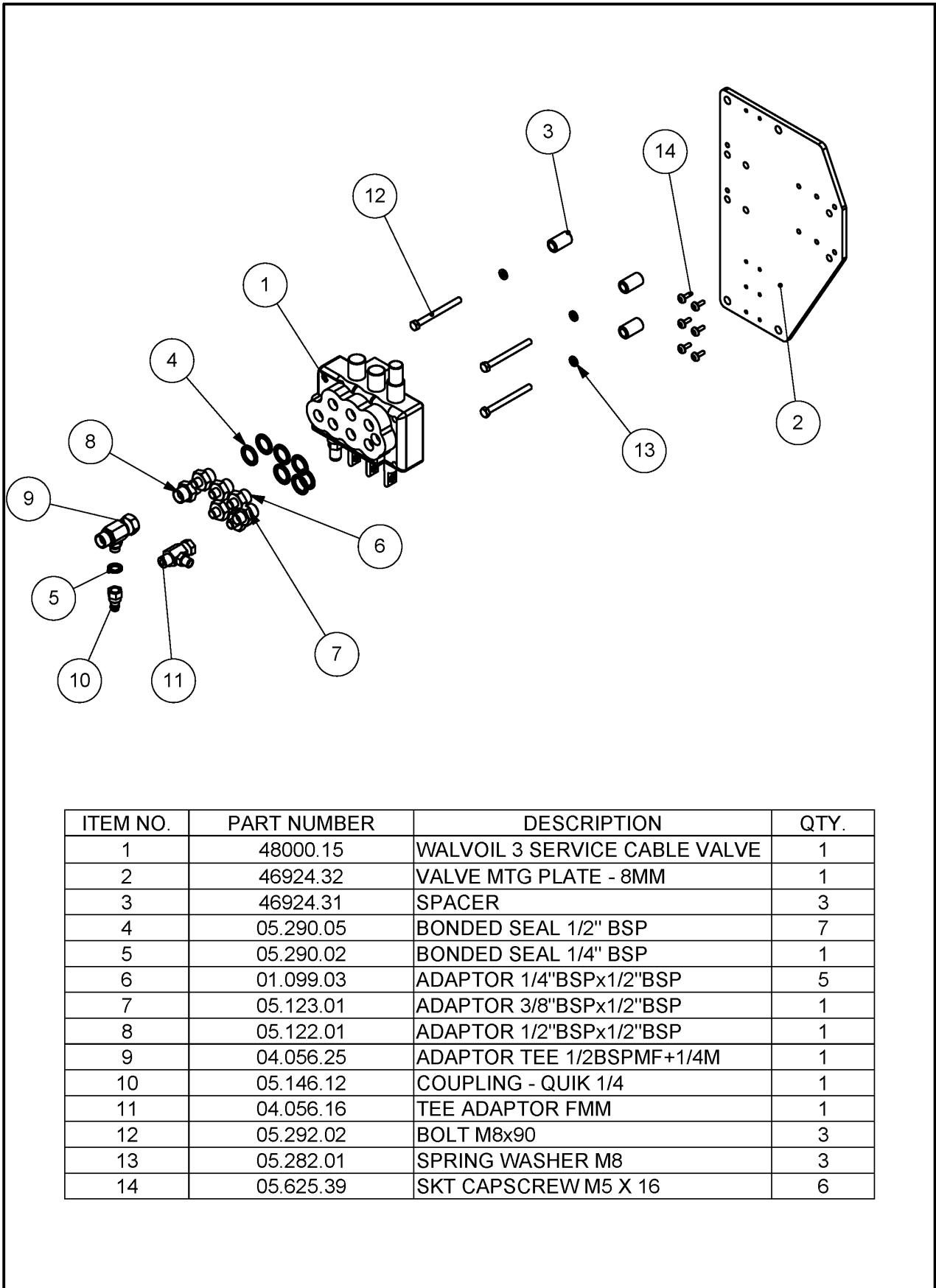


* CARTRIDGE - 8125095

ITEM NO.	PART NUMBER	DESCRIPTION	QTY.
1	48033.02	VALVE - ROTOR CONTROL DSR RH	1
2	46818.01	CLAMP - DSR PLATE	1
3	46095.01	PLATE - VALVE MOUNTING	1
4	05.290.06	BONDED SEAL 3/4" BSP	6
5	05.373.01	ADAPTOR 3/4"BSPx1"BSP	4
6	05.376.01	ADAPTOR 1/2"BSPx3/4"BSP	1
7	05.377.01	ADAPTOR 3/4"BSPx3/4"BSP	1
8	05.433.03	PLUG 1" BSP	2
9	05.291.13	BOLT M10x40	4
10	05.282.02	SPRING WASHER M10	4
11	05.286.02	NUT M10	4
12	05.835.02	90 ADAPTOR M/F SWIVEL	1
13	08.297.10	BUSH 37x30x40	1
14	41.083.01	DECAL - ROTOR REVERSING	1
15	9343033	M6 X 16 SOCKET HEAD	2
16	04.265.94	R.C.ASSY4.0M SHT RED SD14 9069	1

CONTROL VALVE ASSY 3 SERV

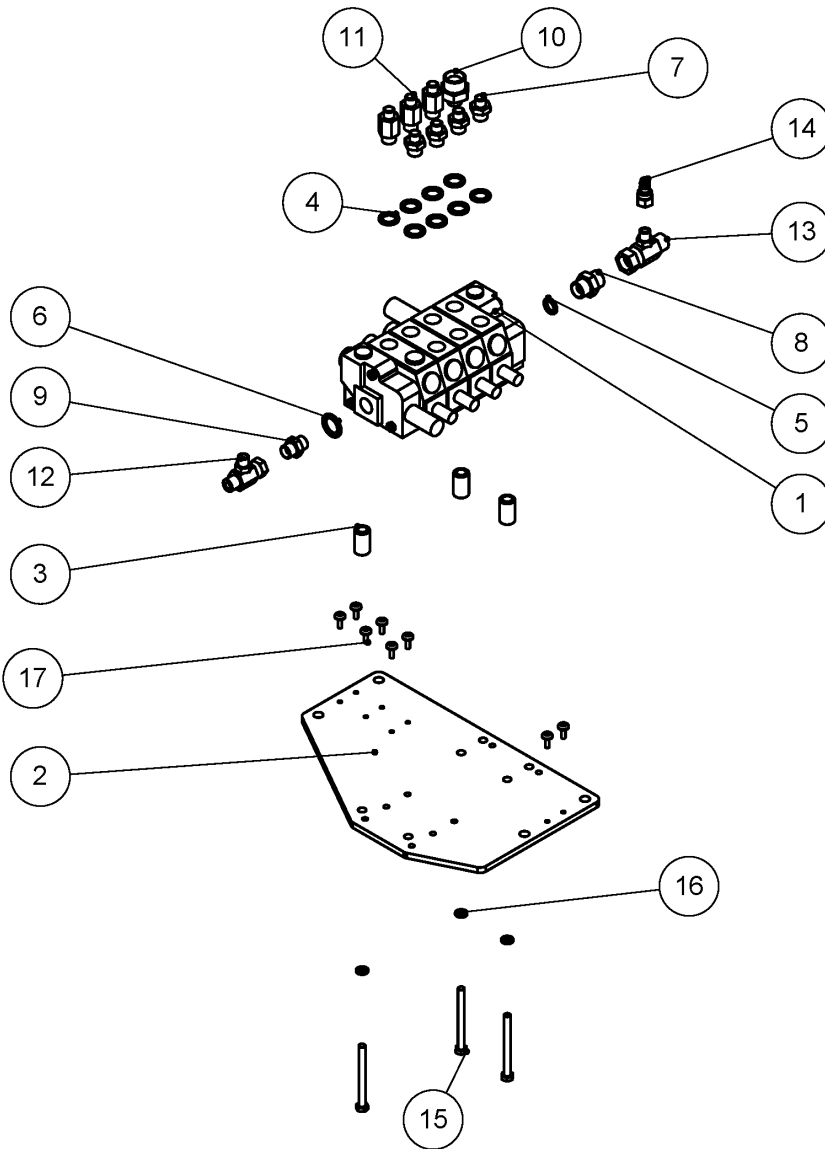
77.304.01 REV : A



ITEM NO.	PART NUMBER	DESCRIPTION	QTY.
1	48000.15	WALVOIL 3 SERVICE CABLE VALVE	1
2	46924.32	VALVE MTG PLATE - 8MM	1
3	46924.31	SPACER	3
4	05.290.05	BONDED SEAL 1/2" BSP	7
5	05.290.02	BONDED SEAL 1/4" BSP	1
6	01.099.03	ADAPTOR 1/4"BSPx1/2"BSP	5
7	05.123.01	ADAPTOR 3/8"BSPx1/2"BSP	1
8	05.122.01	ADAPTOR 1/2"BSPx1/2"BSP	1
9	04.056.25	ADAPTOR TEE 1/2BSPMF+1/4M	1
10	05.146.12	COUPLING - QUIK 1/4	1
11	04.056.16	TEE ADAPTOR FMM	1
12	05.292.02	BOLT M8x90	3
13	05.282.01	SPRING WASHER M8	3
14	05.625.39	SKT CAPSCREW M5 X 16	6

CONTROL VALVE ASSY 4 SERV

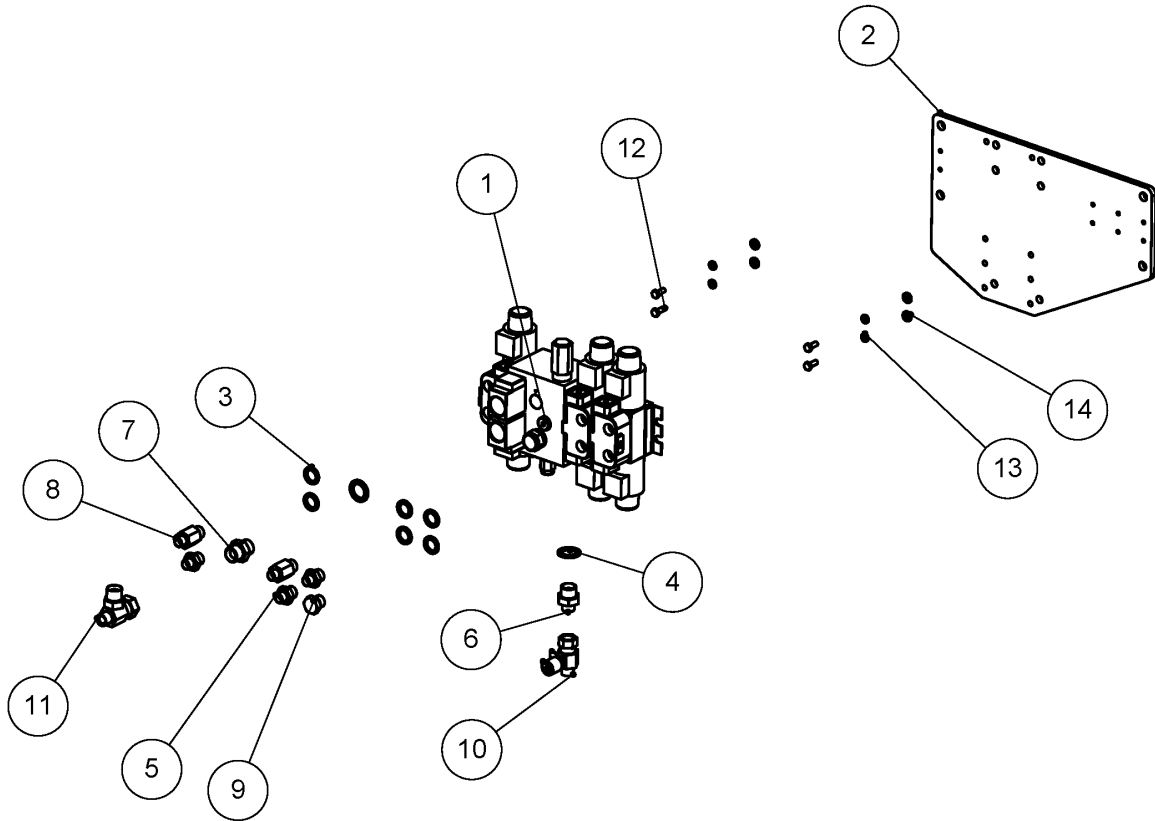
77.359.01 REV : A



ITEM NO.	PART NUMBER	DESCRIPTION	QTY.
1	47745.01	VALVE SD6 4 SECTION	1
2	46924.32	VALVE MTG PLATE - 8MM	1
3	46924.31	SPACER	3
4	05.290.04	BONDED SEAL 3/8" BSP	8
5	05.290.02	BONDED SEAL 1/4" BSP	1
6	05.290.05	BONDED SEAL 1/2" BSP	1
7	01.099.01	ADAPTOR 1/4"BSPx3/8"BSP	4
8	05.122.01	ADAPTOR 1/2"BSPx1/2"BSP	1
9	05.124.01	ADAPTOR 3/8"BSPx3/8"BSP	1
10	05.128.01	ADAPTOR 3/8"BSPx3/4"BSP	1
11	05.819.02	ADAPTOR 1/4"BSPx3/8"BSP	3
12	04.056.16	TEE ADAPTOR FMM	1
13	04.056.25	TEE ADAPTOR FMM	1
14	05.146.12	COUPLING - QUIK 1/4	1
15	05.292.02	BOLT M8x90	3
16	05.282.01	SPRING WASHER M8	3
17	05.625.39	SKT CAPSCREW M5 X 16	8

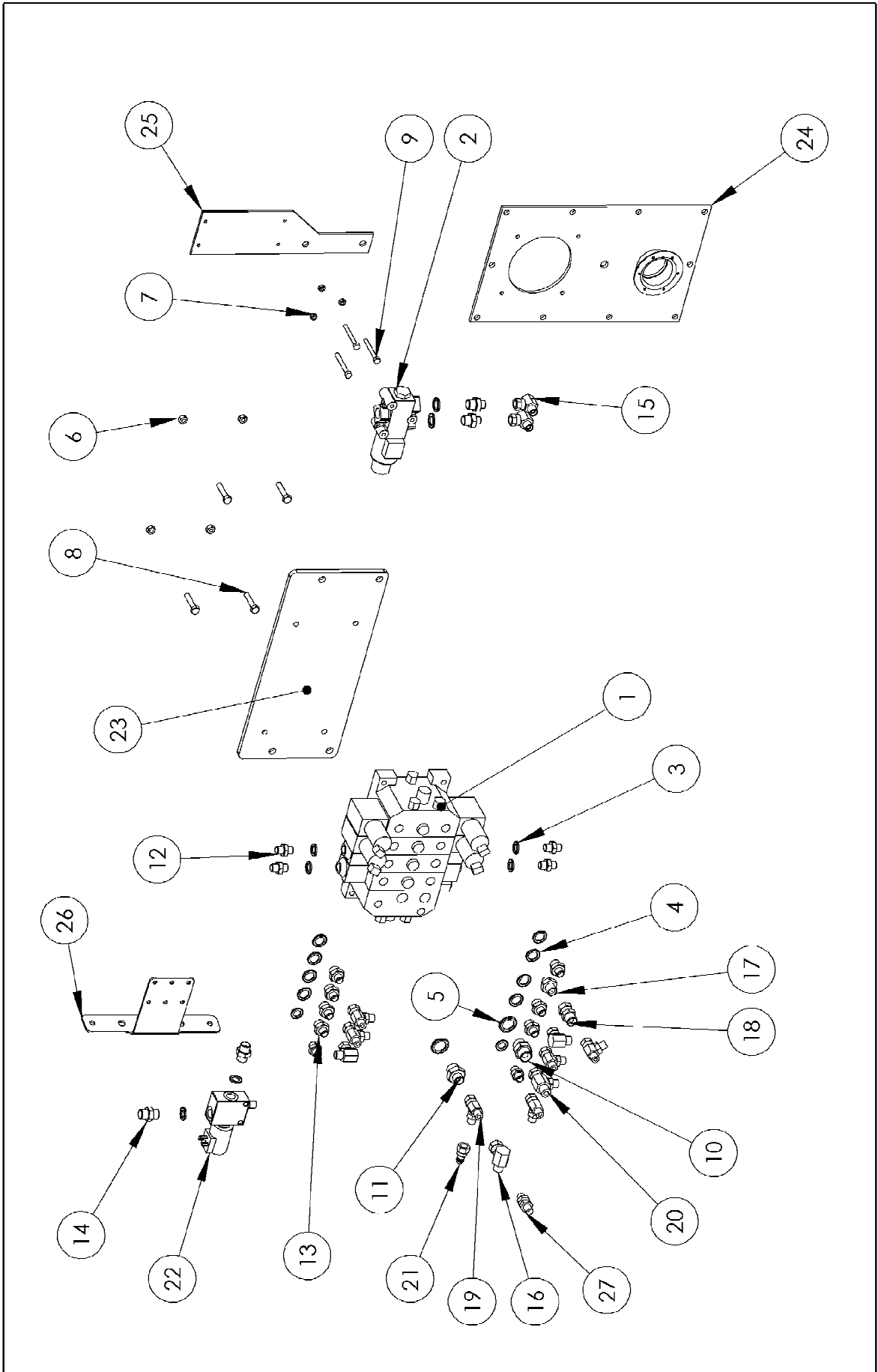
DMV VALVE ASSY

76.427.32 REV : A



ITEM NO.	PART NUMBER	DESCRIPTION	QTY.
1	46622.11	DMV 3 SERVICE VALVE	1
2	46924.32	VALVE MTG PLATE - 8MM	1
3	05.290.04	BONDED SEAL 3/8" BSP	6
4	05.290.05	BONDED SEAL 1/2" BSP	2
5	01.099.01	ADAPTOR 1/4"BSPx3/8"BSP	3
6	05.123.01	ADAPTOR 3/8"BSPx1/2"BSP	1
7	05.122.01	ADAPTOR 1/2"BSPx1/2"BSP	1
8	05.819.02	ADAPTOR 1/4"BSPx3/8"BSP	2
9	05.433.01	PLUG 3/8"BSP	1
10	8131004	TEST ADAPTOR 3/8"BSP M/F	1
11	04.056.49	TEE ADAPTOR 1/2"F X 1/2"M	1
12	05.839.05	SETSCREW M6 X 16	4
13	05.282.07	SPRING WASHER M6	4
14	05.281.10	FLAT WASHER M6	4

VALVE ASSY LOWPRESHYD
77.455.01 REV: A



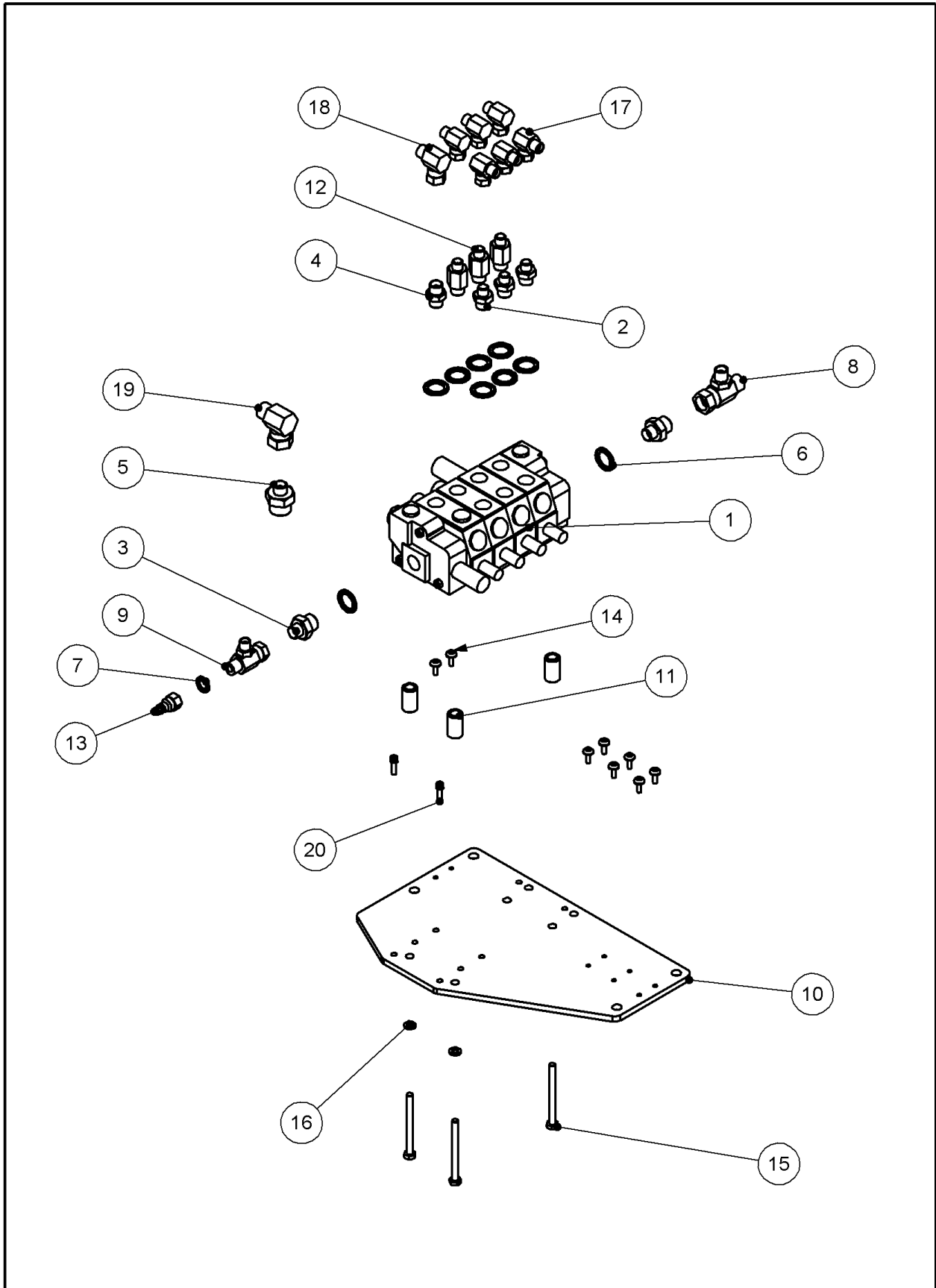
VALVE ASSY LOWPRESHYD

77.455.01 REV : A

ITEM NO.	PART NUMBER	DESCRIPTION	QTY.
1	47645.01	LOW PRESSURE VALVE	1
2	199.334	3 WAY SOLENOID DIVERTER	1
3	05.290.02	BONDED SEAL 1/4" BSP	10
4	05.290.04	BONDED SEAL 3/8" BSP	10
5	05.290.05	BONDED SEAL 1/2" BSP	2
6	05.287.01	SELF-LOCKING NUT M8	4
7	30.070.64	SELF-LOCKING NUT M6	3
8	05.291.03	BOLT M8x40	4
9	30.068.90	M6 BOLTS	3
10	05.122.01	ADAPTOR 1/2"BSPx1/2"BSP	1
11	05.123.01	ADAPTOR 3/8"BSPx1/2"BSP	2
12	05.129.01	ADAPTOR 1/4"BSPx1/4"BSP	16
13	01.099.01	ADAPTOR 1/4"BSPx3/8"BSP	10
14	05.124.01	ADAPTOR 3/8"BSPx3/8"BSP	2
15	05.835.04	90 ADAPTOR M/F SWIVEL	4
16	05.835.01	90 ADAPTOR M/F SWIVEL	1
17	46518.14	RESTRICTOR	1
18	02.714.10	ADAPTOR - SWIVEL	1
19	04.056.10	TEE ADAPTOR FMM	6
20	04.056.16	TEE ADAPTOR FMM	1
21	05.146.12	COUPLING - QUIK 1/4	1
22	199.333	2 WAY DIVERTER VALVE	1
23	47627.01	PLATE VALVE MTG	1
24	47628.01	PLATE	1
25	47629.01	PLATE MOUNTING	1
26	47631.01	BRACKET	1
27	08.128.19	ADAPTOR 1/4"BSP BULKHEAD	1

CONTROL VALVE ASSY 4 SERVICE

77.344.01 REV : A



CONTROL VALVE ASSY 4 SERVICE

77.344.01 REV : A

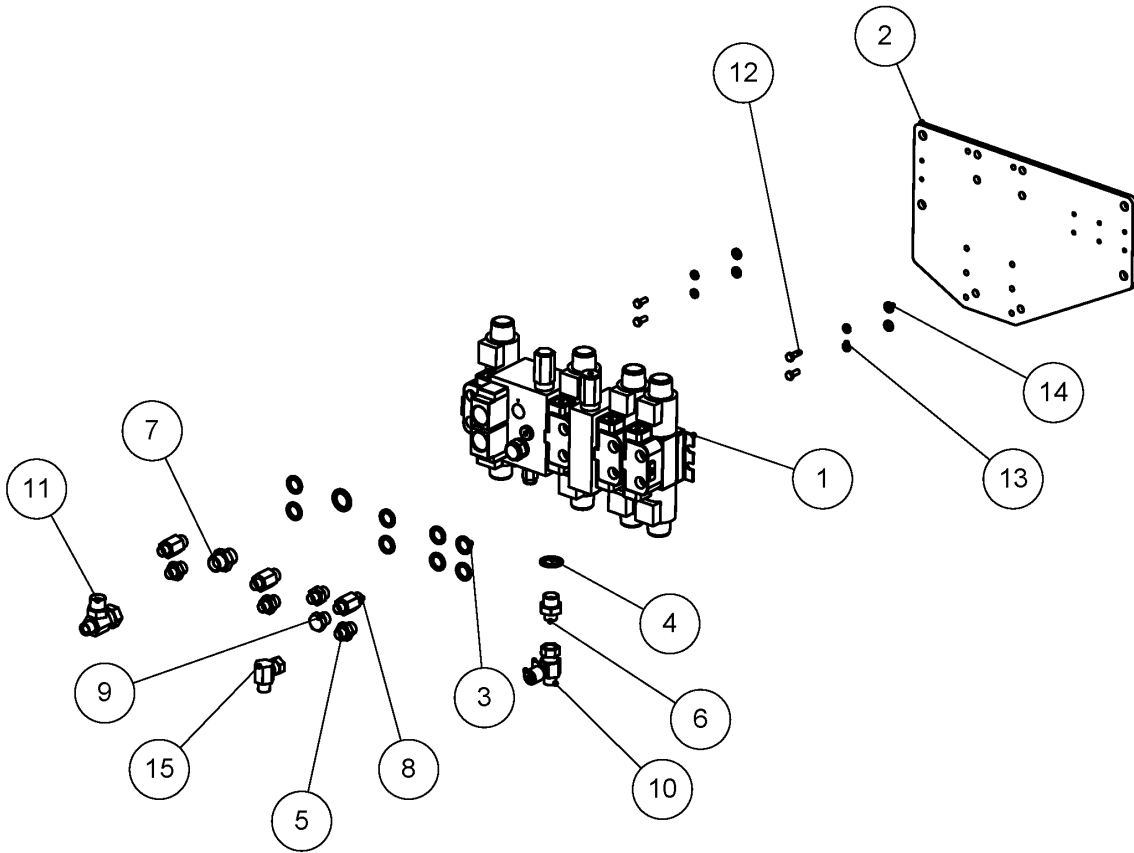
CONTROL VALVE ASSEMBLY CABLE - 77.344.01

ITEM NO.	PART NUMBER	DESCRIPTION	QTY.
1	47745.01	VALVE SD6 4 SECTION	1
2	01.099.01	ADAPTOR 1/4"BSPx3/8"BSP	3
3	05.123.01	ADAPTOR 3/8"BSPx1/2"BSP	2
4	05.124.01	ADAPTOR 3/8"BSPx3/8"BSP	2
5	05.128.01	ADAPTOR 3/8"BSPx3/4"BSP	1
6	05.290.05	BONDED SEAL 1/2" BSP	9
7	05.290.02	BONDED SEAL 1/4" BSP	1
8	04.056.40	TEE ADAPTOR FMM	1
9	04.056.16	TEE ADAPTOR FMM	1
10	46924.32	VALVE MTG PLATE - 8MM	1
11	46924.31	SPACER	3
12	05.819.02	ADAPTOR 1/4"BSPx3/8"BSP	3
13	05.146.12	COUPLING - QUIK 1/4	1
14	05.625.39	SKT CAPSCREW M5 X 16	8
15	05.292.02	BOLT M8x90	3
16	05.282.01	SPRING WASHER M8	3
17	05.835.04	90 ADAPTOR M/F SWIVEL	7
18	05.835.01	90 ADAPTOR M/F SWIVEL	2
19	05.835.05	90 ADAPTOR M/F SWIVEL	1
20	0342061	SKT CAPSCREW 1/4"	2

* 46.924.25 - SEAL KIT

DMV CONTROL VALVE ASSEMBLY

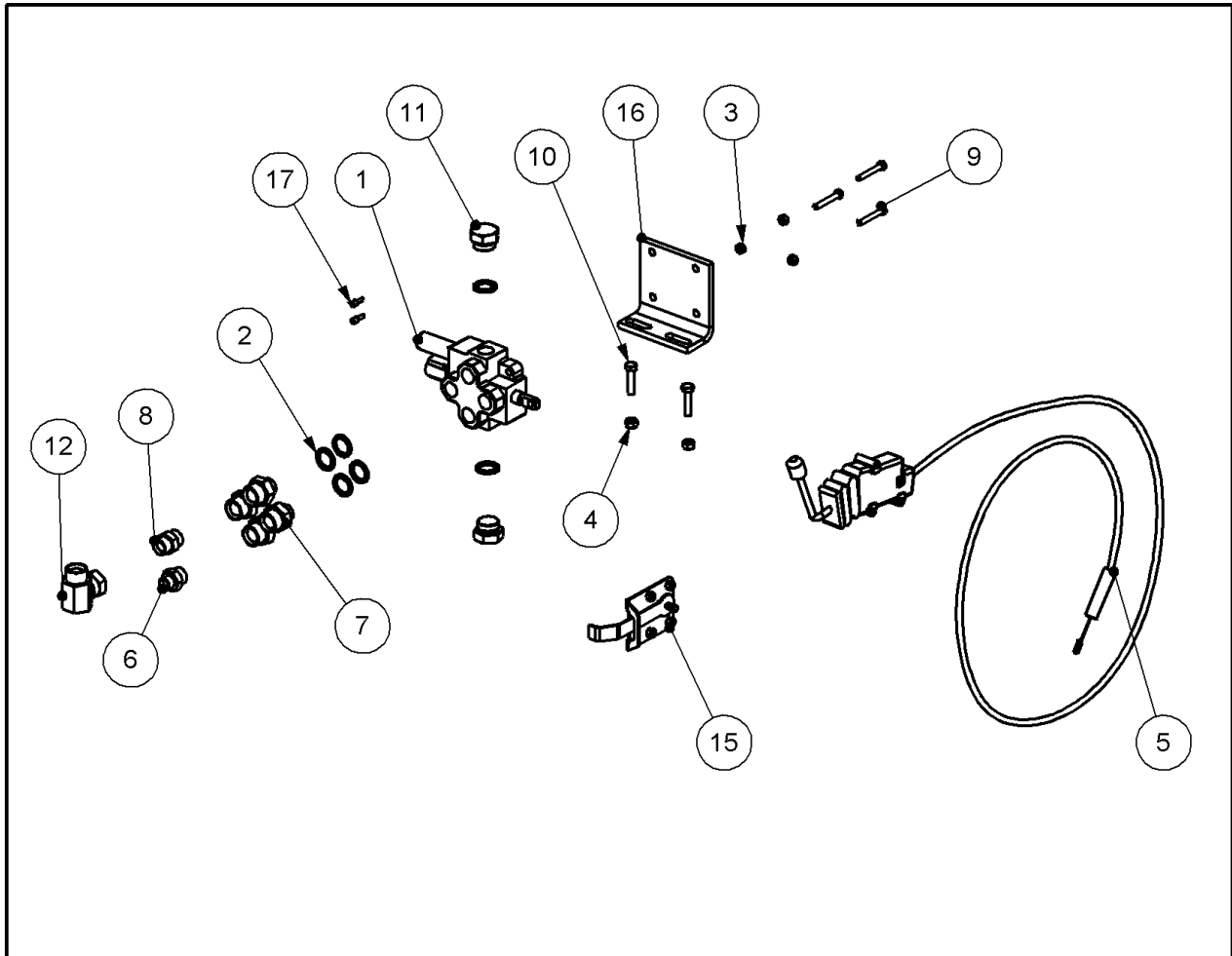
76.427.33 REV : A



ITEM NO.	PART NUMBER	DESCRIPTION	QTY.
1	46622.12	DMV VALVE 4 SERV	1
2	46924.32	VALVE MTG PLATE - 8MM	1
3	05.290.04	BONDED SEAL 3/8" BSP	8
4	05.290.05	BONDED SEAL 1/2" BSP	2
5	01.099.01	ADAPTOR 1/4"BSPx3/8"BSP	4
6	05.123.01	ADAPTOR 3/8"BSPx1/2"BSP	1
7	05.122.01	ADAPTOR 1/2"BSPx1/2"BSP	1
8	05.819.02	ADAPTOR 1/4"BSPx3/8"BSP	3
9	05.433.01	PLUG 3/8"BSP	1
10	8131004	TEST ADAPTOR 3/8"BSP M/F	1
11	04.056.49	TEE ADAPTOR 1/2"F X 1/2"M	1
12	05.839.05	SETSCREW M6 X 16	4
13	05.282.07	SPRING WASHER M6	4
14	05.281.10	FLAT WASHER M6	4
15	05.835.01	90 ADAPTOR M/F SWIVEL	1

CABLE DSR ASSY ECN 10743

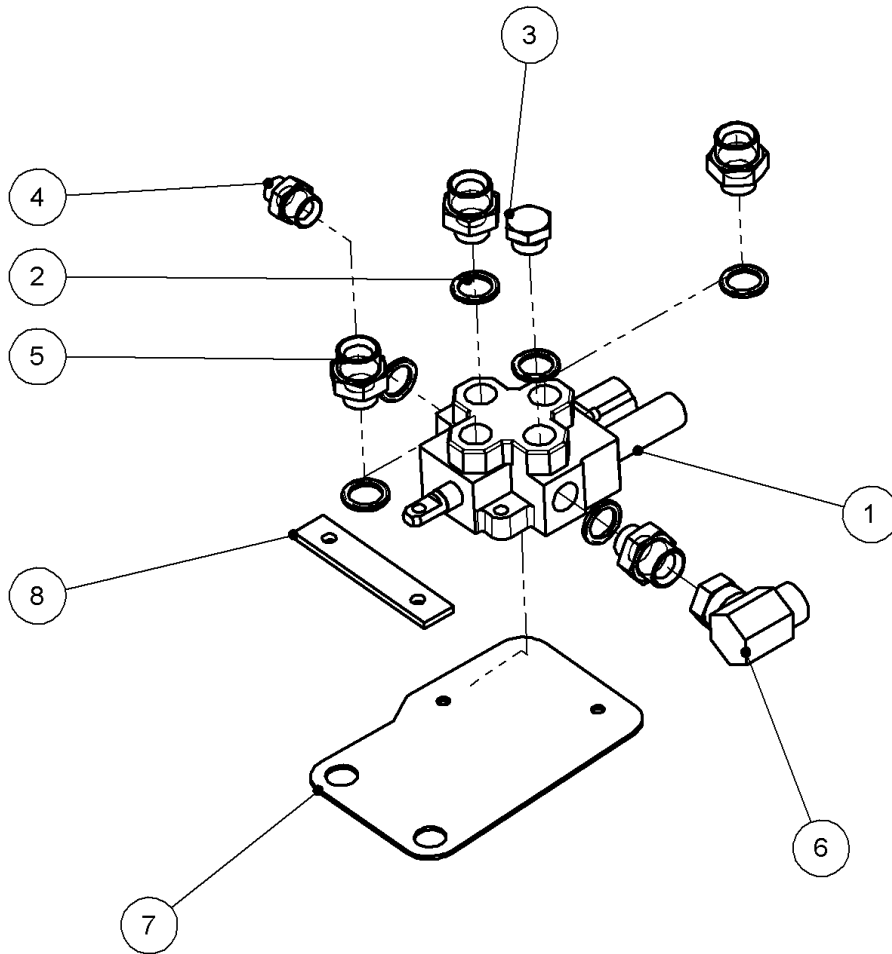
77.188.08 REV : A



ITEM NO.	PART NUMBER	DESCRIPTION	QTY.
1	48033.02	VALVE - ROTOR CONTROL DSR RH	1
2	05.290.06	BONDED SEAL 3/4" BSP	6
3	05.286.01	NUT M8	3
4	05.287.02	SELF-LOCKING NUT M10	2
5	04.265.94	R.C.ASSY4.0M SHT RED SD14 9069	1
6	05.376.01	ADAPTOR 1/2"BSPx3/4"BSP	1
7	05.373.01	ADAPTOR 3/4"BSPx1"BSP	4
8	05.377.01	ADAPTOR 3/4"BSPx3/4"BSP	1
9	05.291.06	BOLT M8x55	3
10	05.291.14	BOLT M10x45	2
11	05.433.03	PLUG 1" BSP	2
12	05.835.02	90 ADAPTOR M/F SWIVEL	1
13	06.820.02	DECAL-ROTOR SHAFT CONTROL	1
14	41.083.01	DECAL - ROTOR REVERSING	1
15	42511.01	LEVER BALKING ASSY	1
16	46095.01	PLATE - VALVE MOUNTING	1
17	9343033	M6 X 16 SOCKET HEAD	2

CABLE DSR ASSY LPH

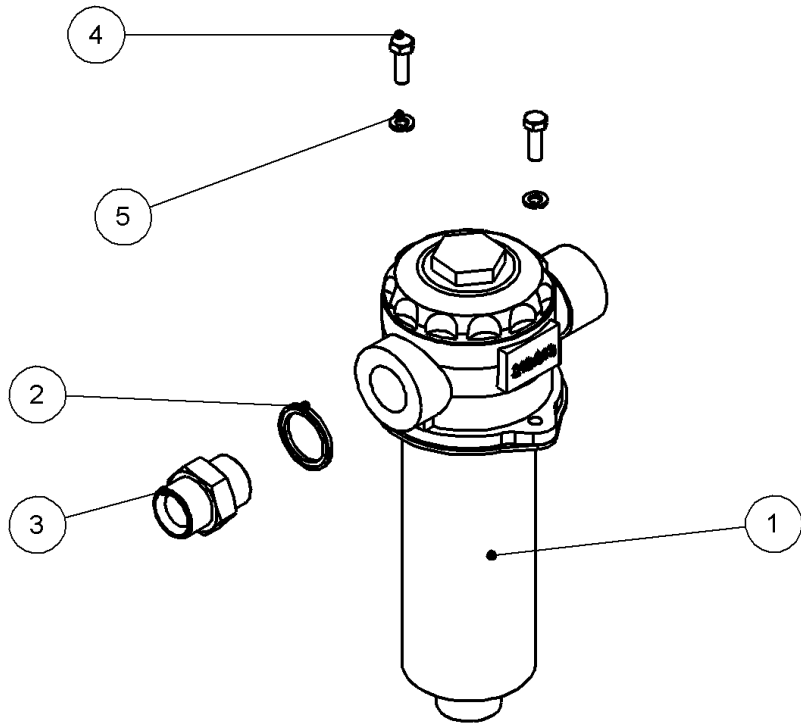
77.188.10 REV : A



ITEM NO.	PART NUMBER	DESCRIPTION	QTY.
1	8125385	RCV 207BAR LH	1
2	05.290.06	BONDED SEAL 3/4" BSP	6
3	05.313.01	PLUG 3/4" BSP	1
4	05.376.01	ADAPTOR 1/2"BSPx3/4"BSP	1
5	05.373.01	ADAPTOR 3/4"BSPx1"BSP	4
6	05.835.02	90 ADAPTOR M/F SWIVEL	1
7	47631.02	DSR BRACKET	1
8	46818.01	CLAMP - DSR PLATE	1

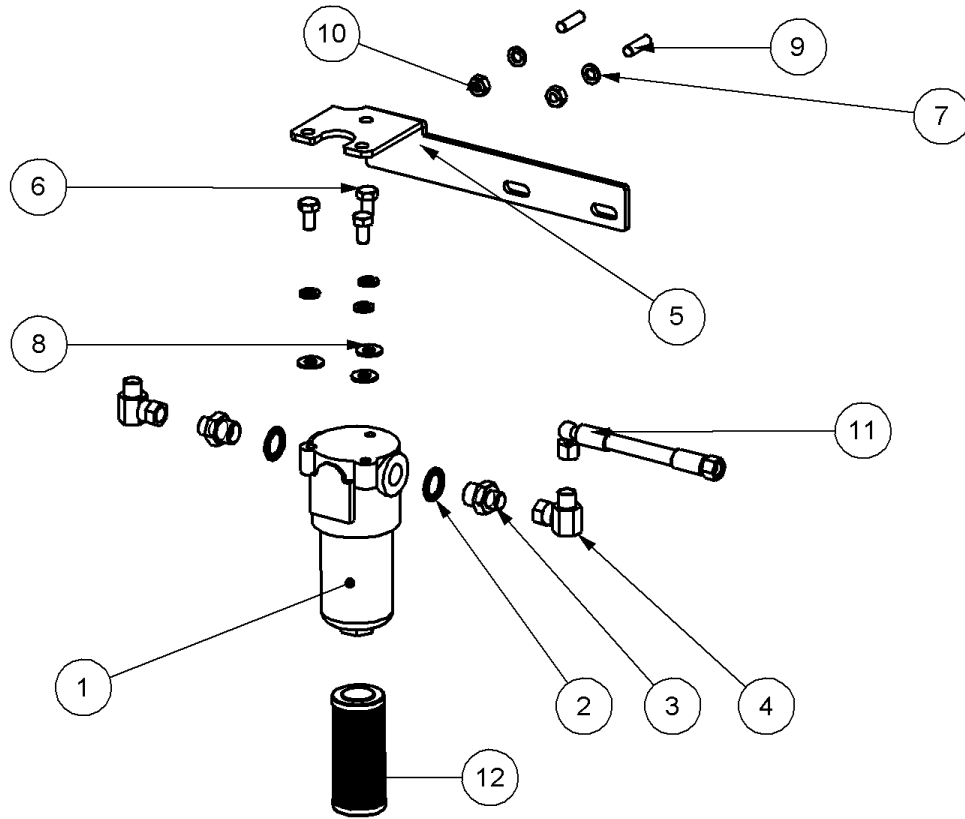
FILTER ASSEMBLY

74.803.03 REV : A



ITEM NO.	PART NUMBER	DESCRIPTION	QTY.
1	212.013	FILTER ASSY 100L	1
2	05.290.07	BONDED SEAL 1" BSP	1
3	05.434.01	ADAPTOR 1"BSPx1"BSP	1
4	05.264.02	SETSCREW M8x25	2
5	05.282.01	SPRING WASHER M8	2

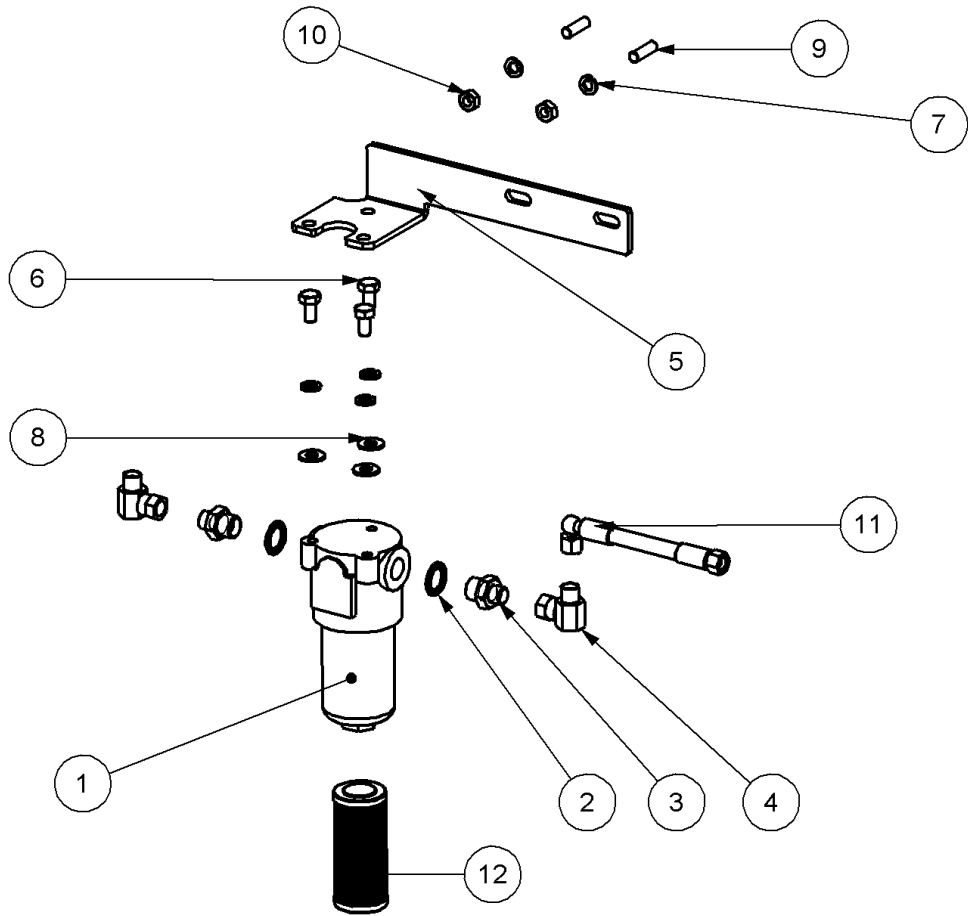
DMV VALVE FILTER ASSEMBLY RH
77.550.07 REV : A



ITEM NO.	PART NUMBER	DESCRIPTION	QTY.
1	47563.01	MP FILTER	1
2	05.290.05	BONDED SEAL 1/2" BSP	2
3	05.123.01	ADAPTOR 3/8"BSPx1/2"BSP	2
4	05.835.01	90 ADAPTOR M/F SWIVEL	2
5	47431.09	FILTER MTG BRKT	1
6	05.264.11	SETSCREW M10x20	3
7	05.282.02	SPRING WASHER M10	5
8	05.281.02	FLAT WASHER M10	3
9	03.100.02	STUD M10 X 32	2
10	05.286.02	NUT M10	2
11	10.004.10	1/4"BSP FS/F90 400	1
12	47563.02	FILTER ELEMENT	0

DMV VALVE FILTER ASSEMBLY

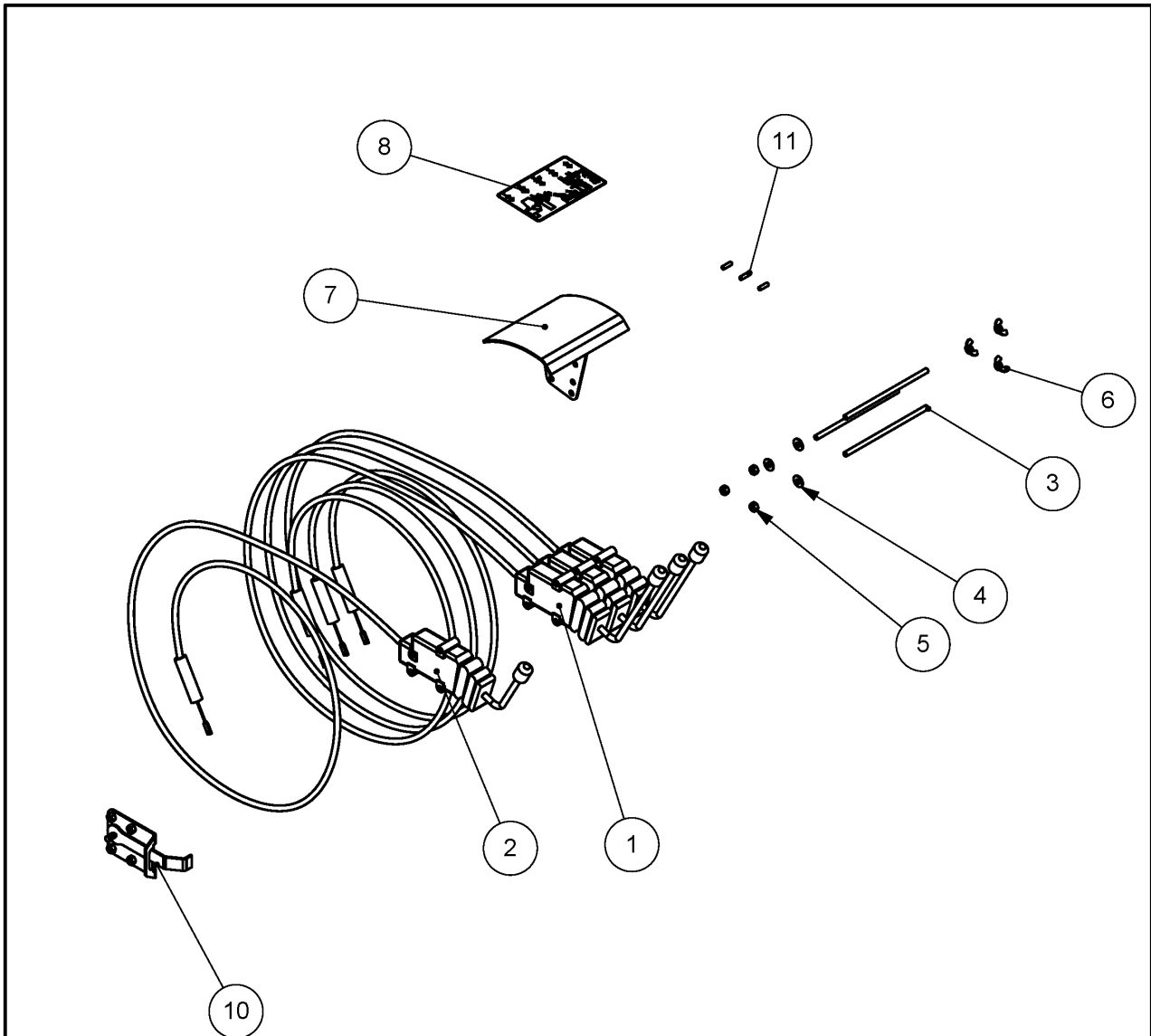
77.550.08 REV : A



ITEM NO.	PART NUMBER	DESCRIPTION	QTY.
1	47563.01	MP FILTER	1
2	05.290.05	BONDED SEAL 1/2" BSP	2
3	05.123.01	ADAPTOR 3/8"BSPx1/2"BSP	2
4	05.835.01	90 ADAPTOR M/F SWIVEL	2
5	47431.10	FILTER MOUNTING BRACKET	1
6	05.264.11	SETSCREW M10x20	3
7	05.282.02	SPRING WASHER M10	5
8	05.281.02	FLAT WASHER M10	3
9	03.100.02	STUD M10 X 32	2
10	05.286.02	NUT M10	2
11	10.004.10	1/4"BSP FS/F90 400	1
12	47563.02	FILTER ELEMENT	0

REMOTE CABLE ASSY RH DSR

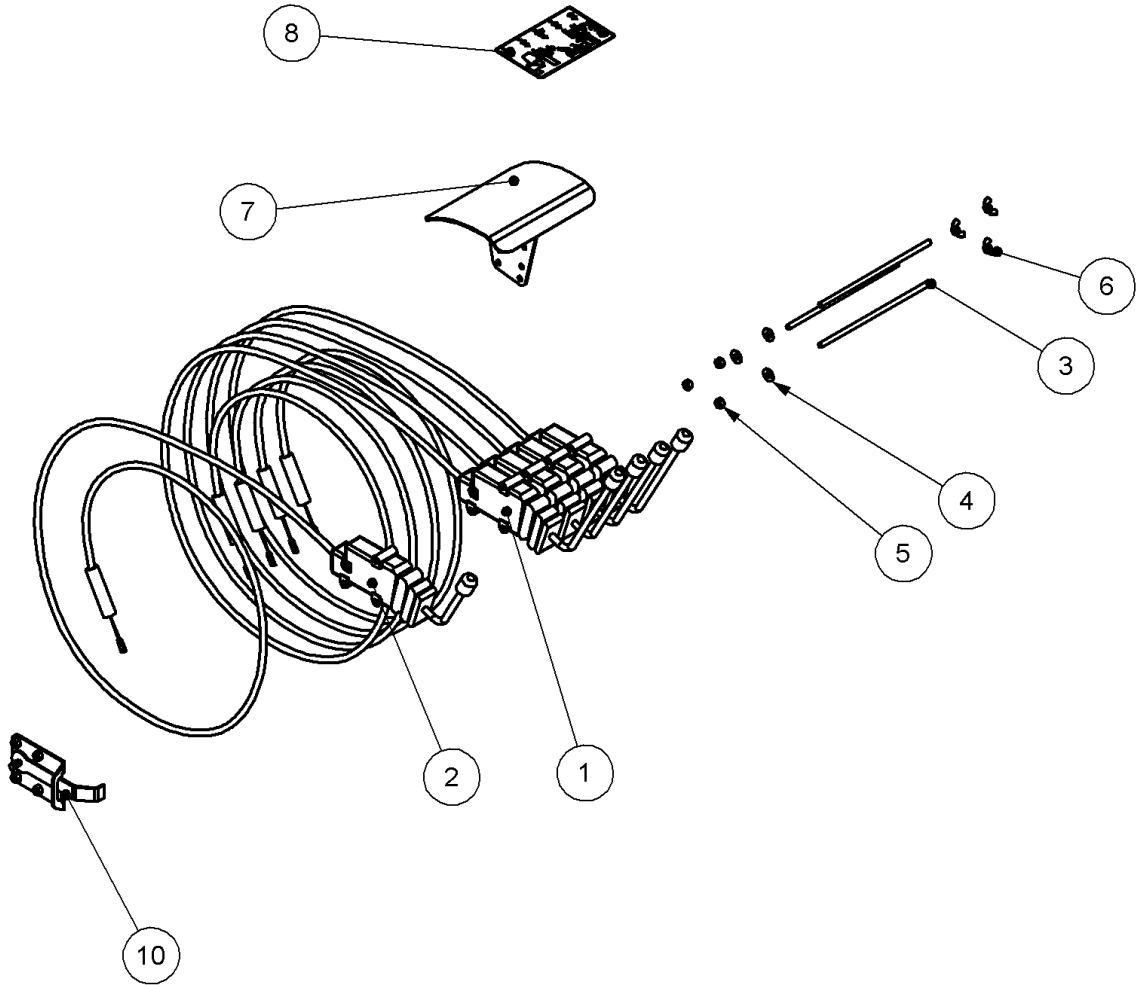
74.647.13 REV : A



ITEM NO.	PART NUMBER	DESCRIPTION	QTY.
1	04.265.96	R.C. ASSY 3.0M LONG BLACK	3
2	04.265.94	R.C.ASSY4.0M SHT RED SD14 9069	1
3	04.282.01	STUD M8x196	3
4	05.281.01	FLAT WASHER M8	3
5	05.286.01	NUT M8	3
6	05.948.07	WING NUT M8	3
7	42256.01	ARM REST - 4 LEVER	1
8	09.916.04	DECAL - LEVER OP. 4 LEVER	1
9	06.820.02	DECAL-ROTOR SHAFT CONTROL	1
10	42511.01	LEVER BALKING ASSY	1
11	04.265.28	PIN	3

REMOTE CABLE ASSY RH DSR 9069

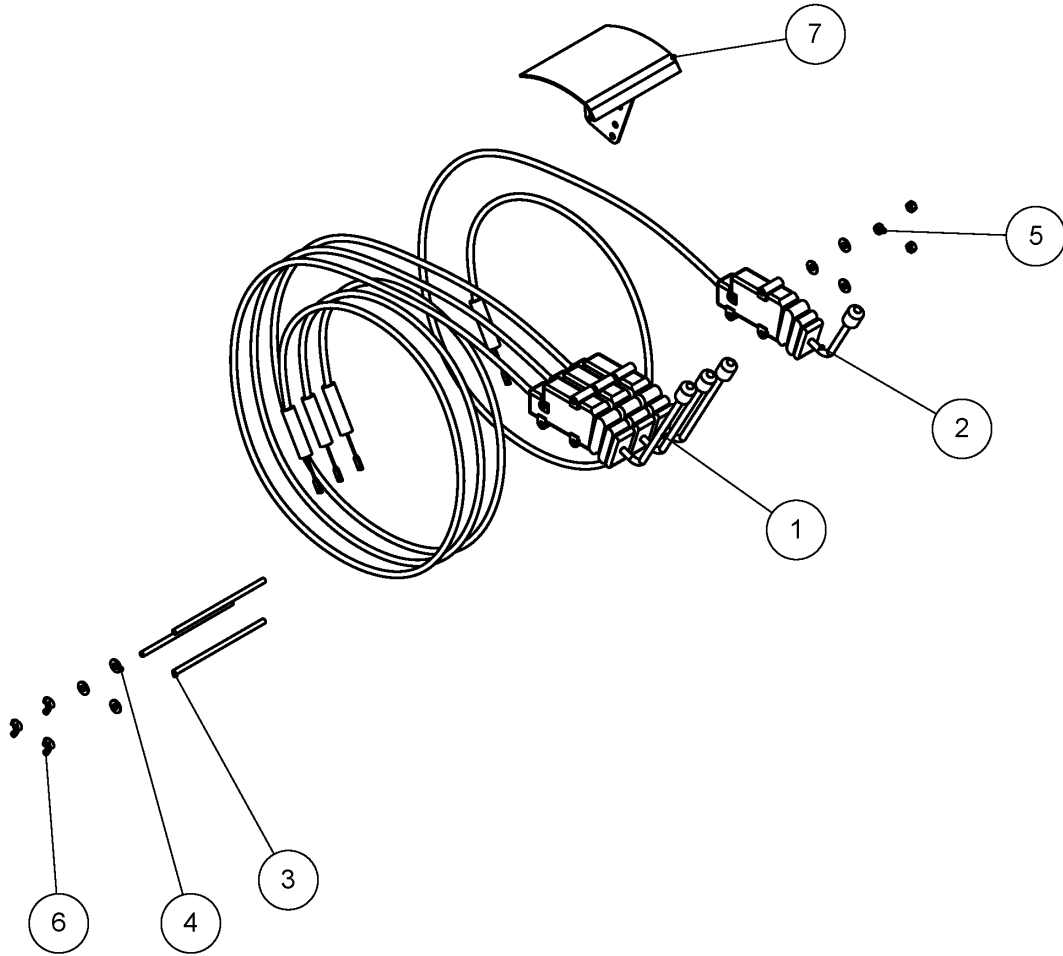
74.647.14 REV : A



ITEM NO.	PART NUMBER	DESCRIPTION	QTY.
1	04.265.96	R.C. ASSY 3.0M LONG BLACK	4
2	04.265.94	R.C.ASSY4.0M SHT RED SD14 9069	1
3	04.282.43	STUD M8 X240	3
4	05.281.01	FLAT WASHER M8	3
5	05.286.01	NUT M8	3
6	05.948.07	WING NUT M8	3
7	42256.03	ARM REST 4 BOWDEN CABLES	1
8	09.916.02	DECAL - LEVER OP. 5 LEVER RH	1
9	41.083.01	DECAL - ROTOR REVERSING	1
10	42511.01	LEVER BALKING ASSY	1

REMOTE CONTROL CABLE LH

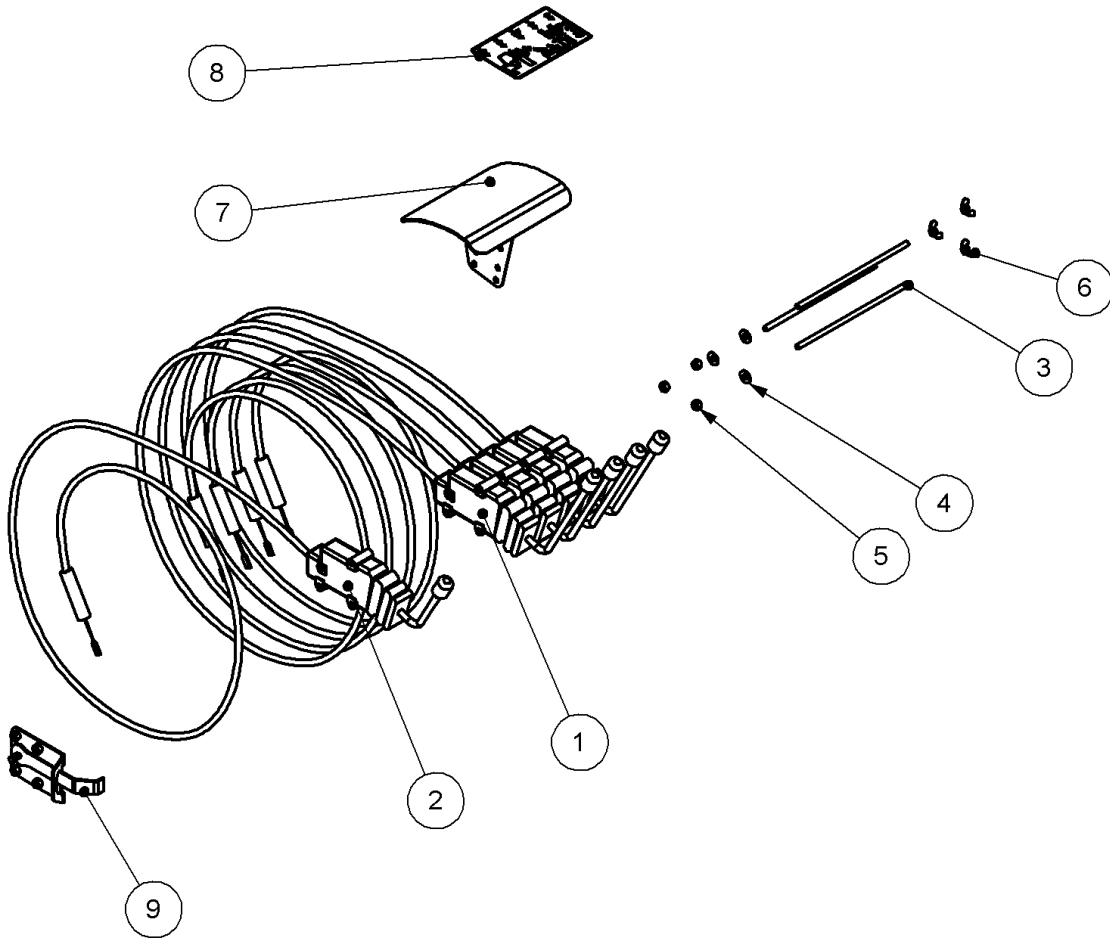
74.647.17 REV : A



ITEM NO.	PART NUMBER	DESCRIPTION	QTY.
1	04.265.96	R.C. ASSY 3.0M LONG BLACK	3
2	04.265.93	R.C.ASSY 4.0M SHT RED DIV FK	1
3	04.282.01	STUD M8x196	3
4	05.281.01	FLAT WASHER M8	6
5	05.286.01	NUT M8	3
6	05.948.07	WING NUT M8	3
7	42256.01	ARM REST - 4 LEVER	1
8	09.916.29	DECAL - LEVER OP.4 LEVER LH	1

REMOTE CONTROL CABLE RH 9069

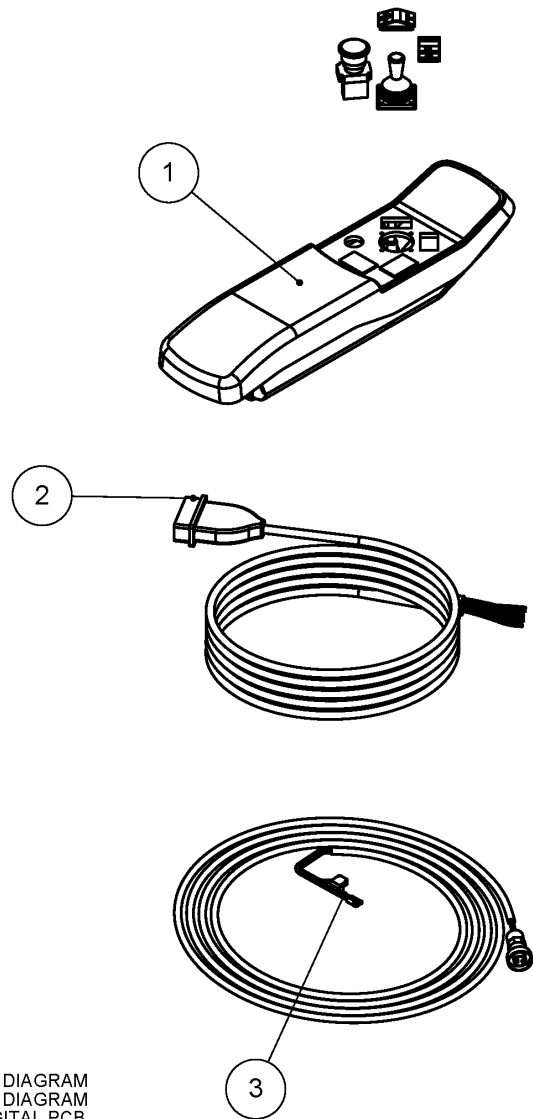
74.647.10 REV : A



ITEM NO.	PART NUMBER	DESCRIPTION	QTY.
1	04.265.96	R.C. ASSY 3.0M LONG BLACK	4
2	04.265.94	R.C. ASSY 4.0M SHT RED SD14 9069	1
3	04.282.43	STUD M8 X240	3
4	05.281.01	FLAT WASHER M8	3
5	05.286.01	NUT M8	3
6	05.948.07	WING NUT M8	3
7	42256.03	ARM REST 4 BOWDEN CABLES	1
8	09.916.02	DECAL - LEVER OP. 5 LEVER RH	1
9	42511.01	LEVER BALKING ASSY	1

EPPII 3SV +HF RCA ASY LH

76.426.03 REV : A

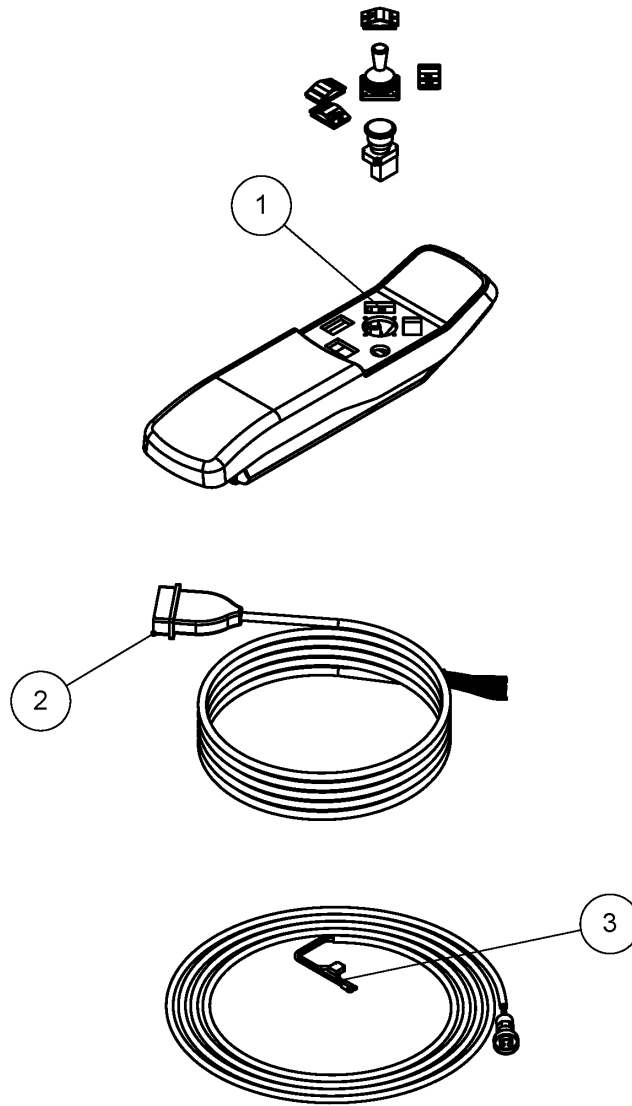


- * 42197.97 - WIRING DIAGRAM
- * 42197.98 - WIRING DIAGRAM
- * 42226.84 - STD DIGITAL PCB
- * 42226.96 - DECAL SET

ITEM NO.	PART NUMBER	DESCRIPTION	QTY.
1	42226.11	CONTROL BOX 3 SERVICE	1
	41786.33	SWITCH E/STOP	0
	41786.34	JOYSTICK ASSY	0
	41786.35	SWITCH ASSY COWL	0
	41786.38	SWITCH ASSY HEAD FLOAT	0
2	42197.11	WIRE LOOM	1
3	08.987.01	CABLE ASSY - 2 SORE	1

EPPII 4SV+HF/AF RC ASY RH

76.426.41 REV : A

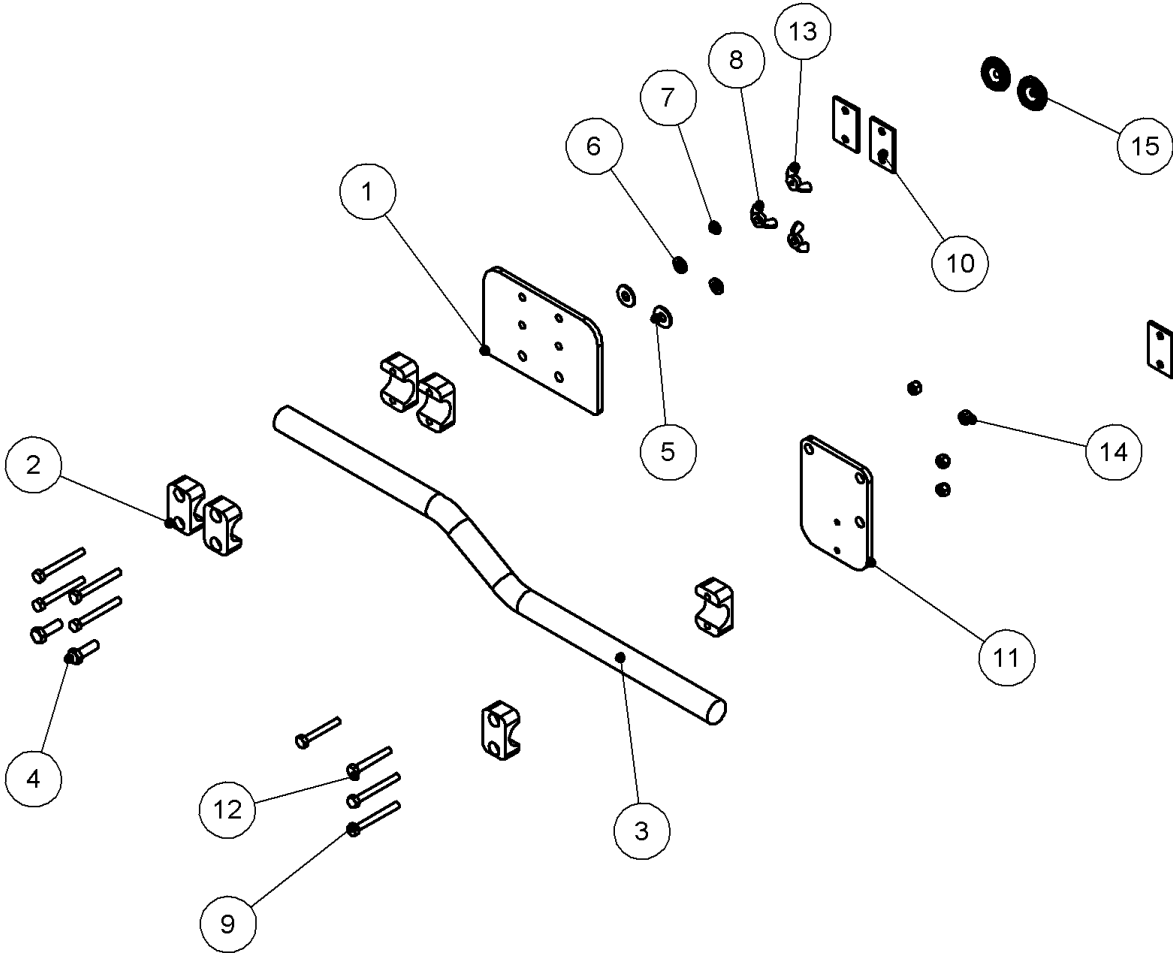


- * 42197.96 - WIRING DIAGRAM B52
- * 42197.97 - WIRING DIAGRAM B45
- * 42197.98 - WIRING DIAGRAM B49
- * 42226.84 - STD DIGITAL PCB
- * 42226.95 - DECAL SET

ITEM NO.	PART NUMBER	DESCRIPTION	QTY.
1	42226.14	CONTROL BOX 4 SERVICE RH	1
	41786.33	SWITCH E/STOP	1
	41786.34	JOYSTICK ASSY	1
	41786.35	SWITCH ASSY COWL	1
	41786.38	SWITCH ASSY HEAD FLOAT	1
	41786.36	SWITCH ASSY SLEW	1
	41786.43	SWITCH - ARM FLOAT	1
2	42197.12	WIRE LOOM	1
3	08.987.01	CABLE ASSY - 2 SORE	1

EPPIM RCA CAB SIDE MNT 6359

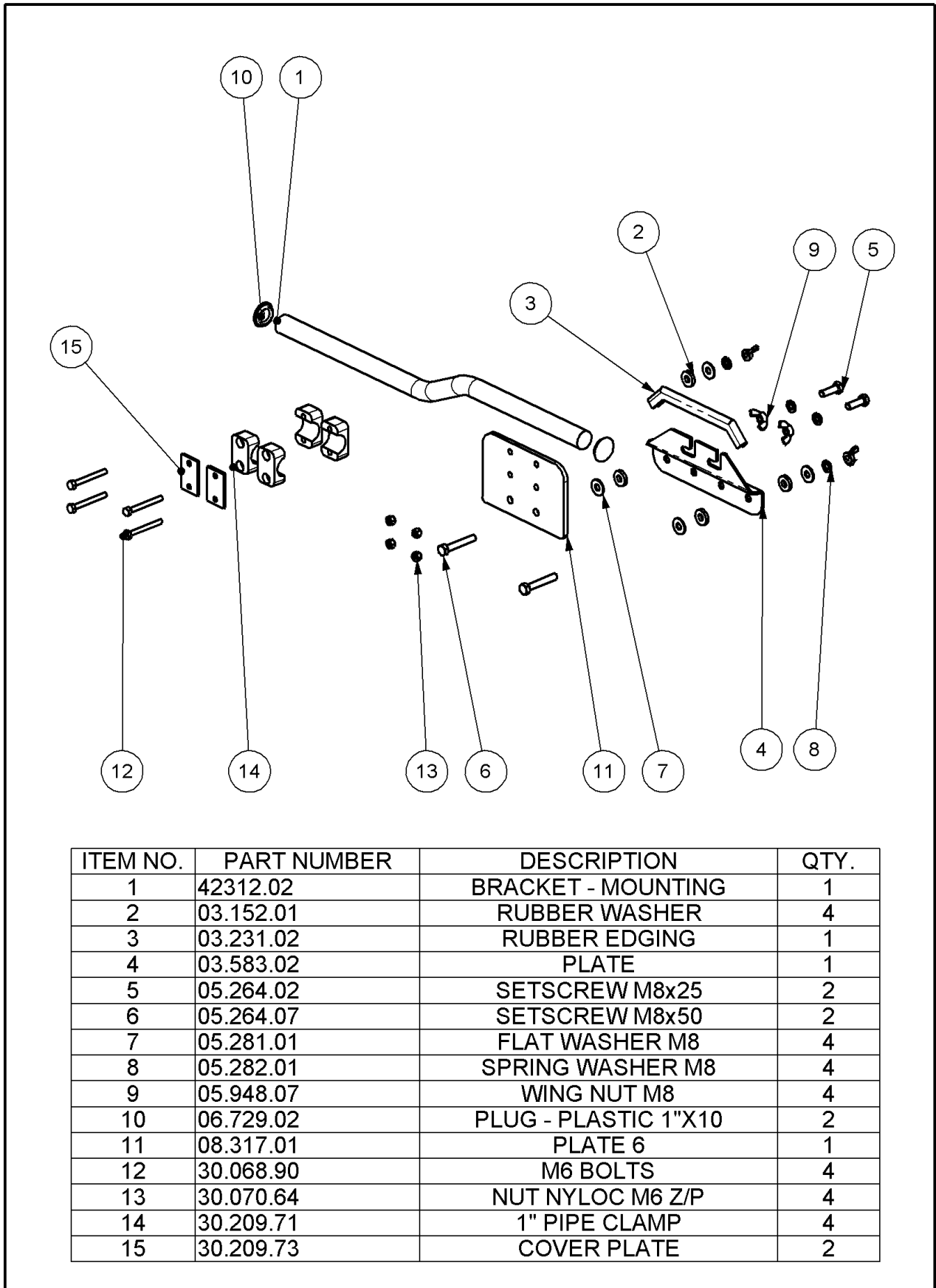
76.426.25 REV : A



ITEM NO.	PART NUMBER	DESCRIPTION	QTY.
1	08.317.01	PLATE 6	1
2	30.209.71	1" PIPE CLAMP	6
3	42312.02	BRACKET - MOUNTING	1
4	05.264.02	SETSCREW M8x25	2
5	05.281.01	FLAT WASHER M8	2
6	05.282.01	SPRING WASHER M8	2
7	05.282.07	SPRING WASHER M6	3
8	05.948.07	WING NUT M8	2
9	30.068.90	M6 BOLTS	7
10	30.209.73	COVER PLATE	3
11	41.046.01	PLATE -LVR MTG - 6MM	1
12	30.068.88	BOLT M6 X 45MM	2
13	05.948.37	WINGNUT- M6	3
14	30.070.64	NUT NYLOC M6 Z/P	4
15	06.729.02	PLUG - PLASTIC 1"X10	2

EPP RCC KIT RH MACHINES

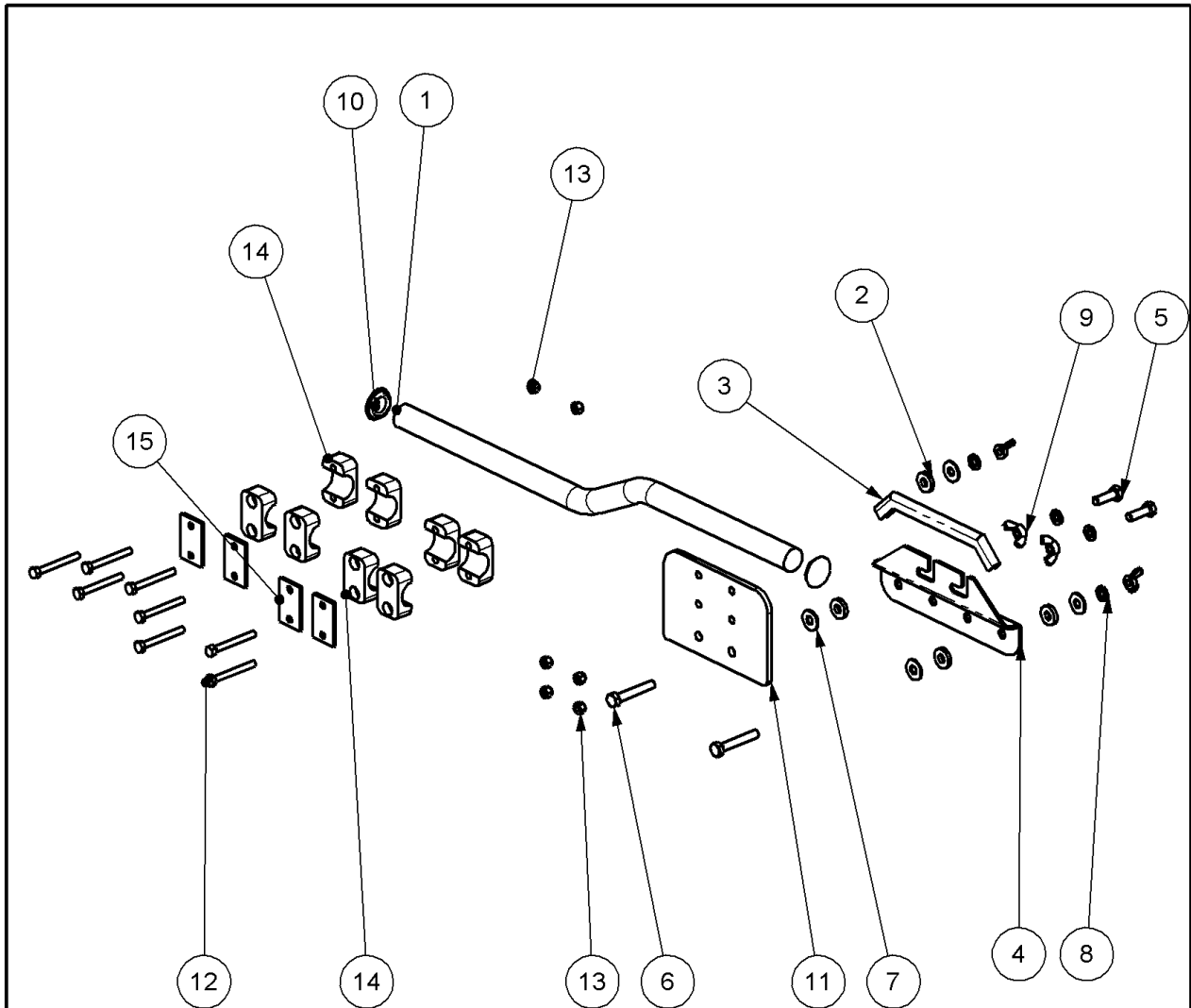
77.751.02 REV : A



ITEM NO.	PART NUMBER	DESCRIPTION	QTY.
1	42312.02	BRACKET - MOUNTING	1
2	03.152.01	RUBBER WASHER	4
3	03.231.02	RUBBER EDGING	1
4	03.583.02	PLATE	1
5	05.264.02	SETSCREW M8x25	2
6	05.264.07	SETSCREW M8x50	2
7	05.281.01	FLAT WASHER M8	4
8	05.282.01	SPRING WASHER M8	4
9	05.948.07	WING NUT M8	4
10	06.729.02	PLUG - PLASTIC 1"X10	2
11	08.317.01	PLATE 6	1
12	30.068.90	M6 BOLTS	4
13	30.070.64	NUT NYLOC M6 Z/P	4
14	30.209.71	1" PIPE CLAMP	4
15	30.209.73	COVER PLATE	2

LPH RCC KIT RH MACHINES

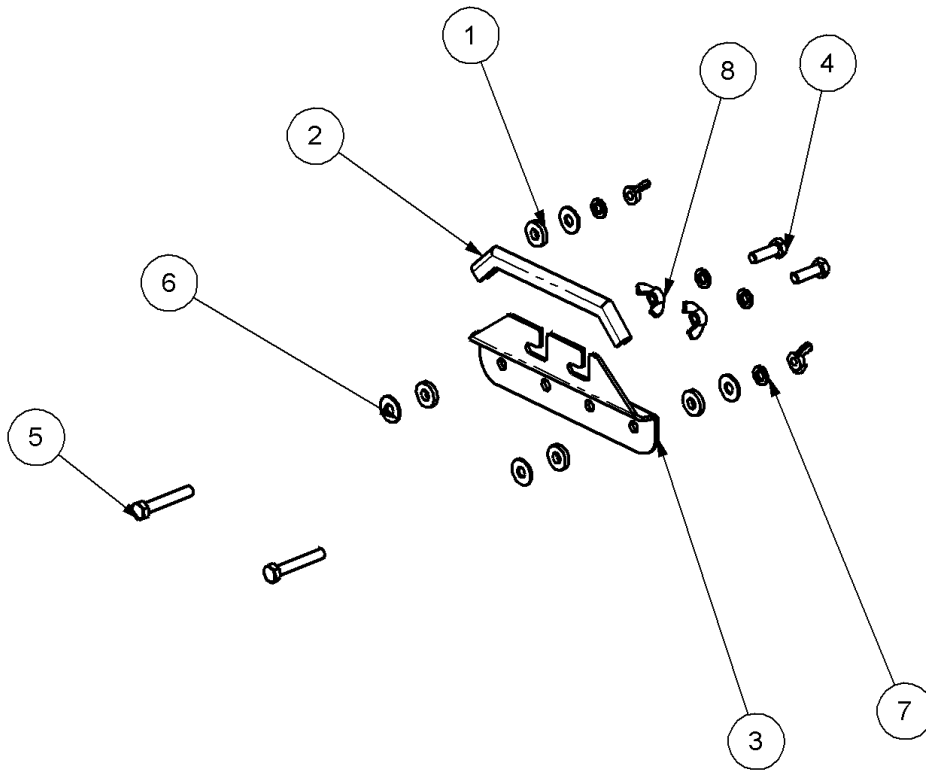
77.753.02 REV : A



ITEM NO.	PART NUMBER	DESCRIPTION	QTY.
1	42312.02	BRACKET - MOUNTING	1
2	03.152.01	RUBBER WASHER	4
3	03.231.02	RUBBER EDGING	1
4	03.583.02	PLATE	1
5	05.264.02	SETSCREW M8x25	2
6	05.264.07	SETSCREW M8x50	2
7	05.281.01	FLAT WASHER M8	4
8	05.282.01	SPRING WASHER M8	4
9	05.948.07	WING NUT M8	4
10	06.729.02	PLUG - PLASTIC 1"X10	2
11	08.317.01	PLATE 6	1
12	30.068.90	M6 BOLTS	8
13	30.070.64	NUT NYLOC M6 Z/P	8
14	30.209.71	1" PIPE CLAMP	8
15	30.209.73	COVER PLATE	4

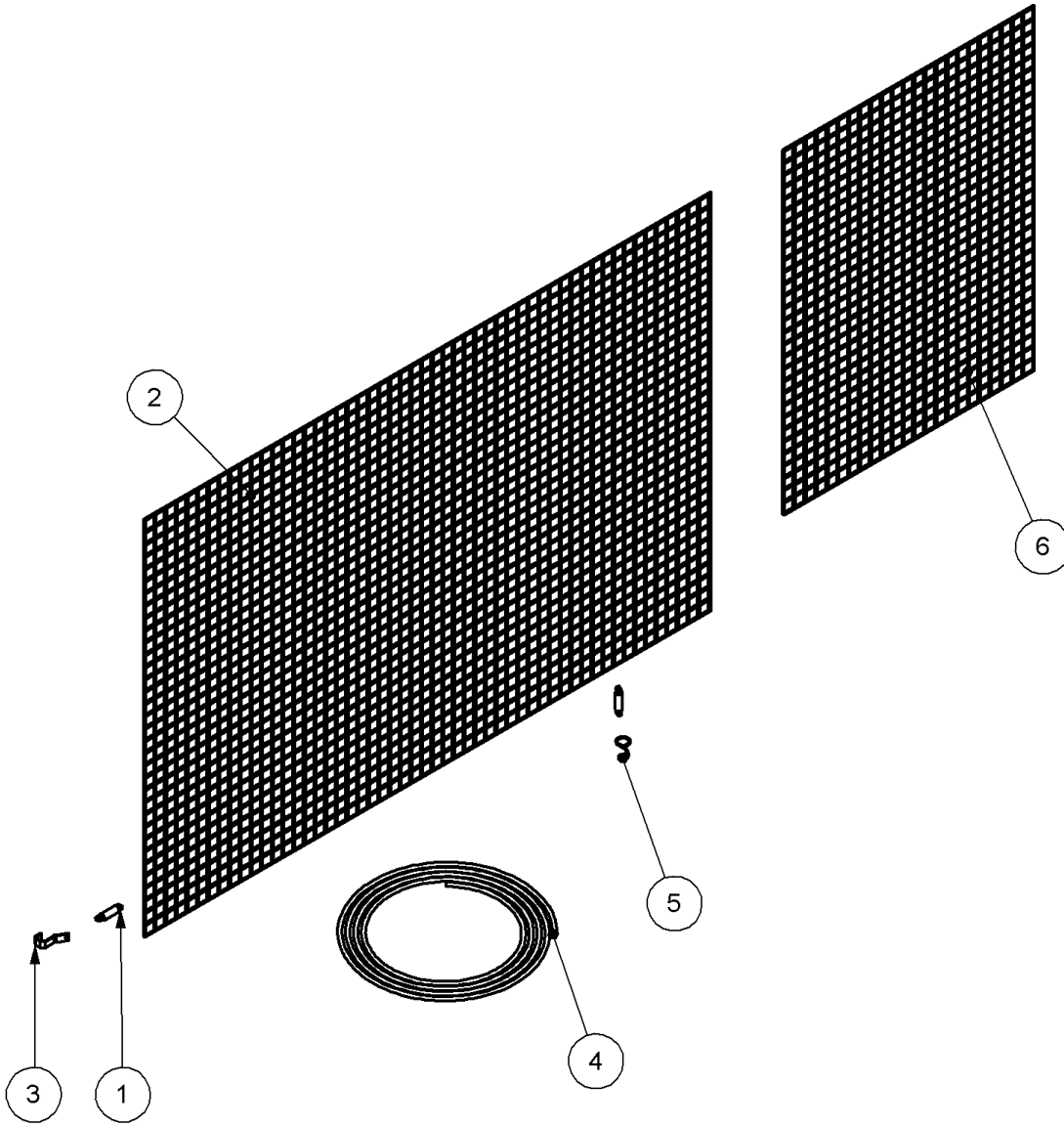
CABLE RCC KIT RH MACHINES

77.754.02 REV : A



ITEM NO.	PART NUMBER	DESCRIPTION	QTY.
1	03.152.01	RUBBER WASHER	4
2	03.231.02	RUBBER EDGING	1
3	03.583.02	PLATE	1
4	05.264.02	SETSCREW M8x25	2
5	05.264.07	SETSCREW M8x50	2
6	05.281.01	FLAT WASHER M8	4
7	05.282.01	SPRING WASHER M8	4
8	05.948.07	WING NUT M8	4

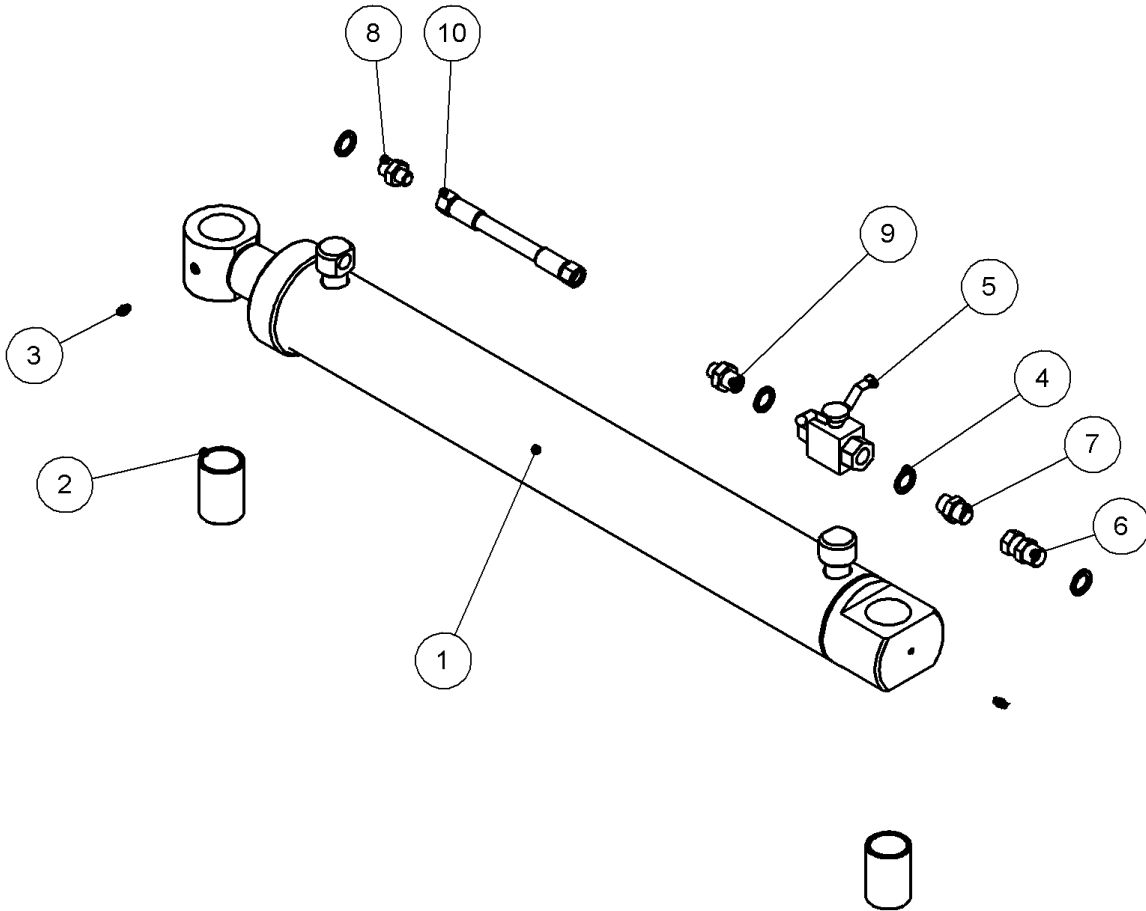
CAB GUARD KIT
76.150.01 REV : A



ITEM NO.	PART NUMBER	DESCRIPTION	QTY.
1	41585.01	SPRING	12
2	41755.01	GUARD PANEL - LARGE	1
3	41745.01	HOOK	8
4	42076.01	FOAM EDGING STRIP	1
5	41586.01	HOOK	6
6	41755.02	GUARD PANEL - SMALL	1
7	41587.01	HOOK - CAB GUARD	6

FIRST RAM ASSY HARRIER NON PAR

77.362.01 REV : A

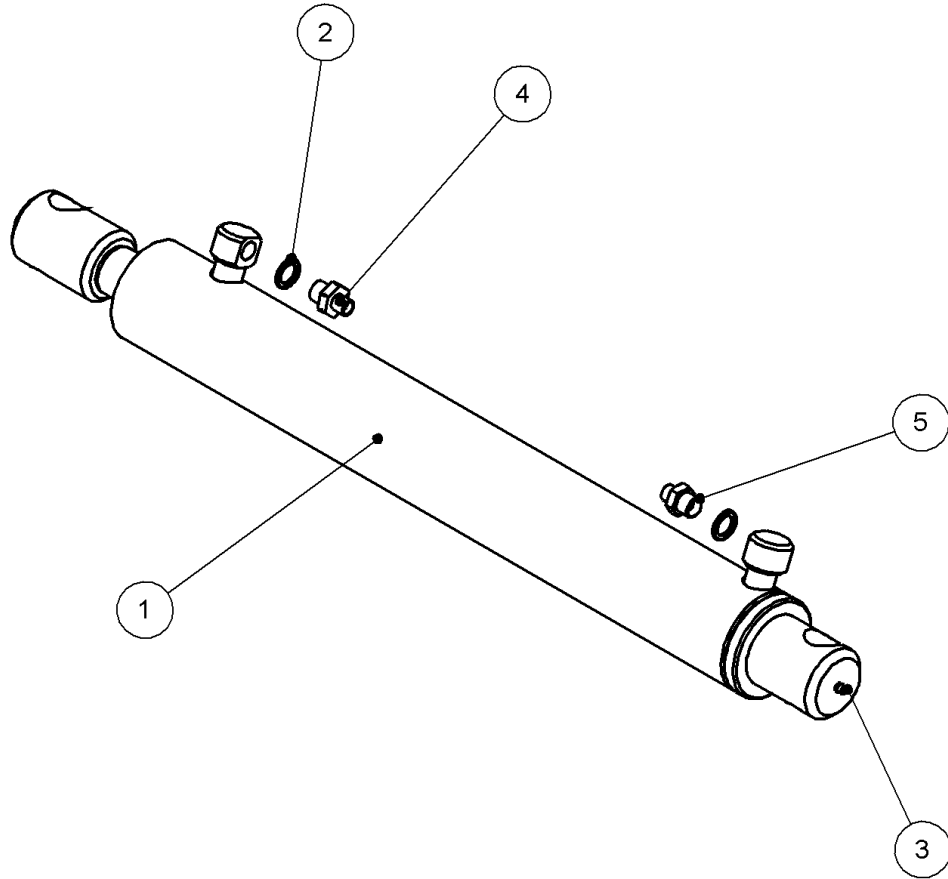


* 48069.25 - SEAL KIT

ITEM NO.	PART NUMBER	DESCRIPTION	QTY.
1	48069.01	RAM ASSY D/A 80 BORE X 615 STK	1
2	08.297.08	BUSH 42x35x60	2
3	05.953.01	GREASE NIPPLE M6xStr	2
4	05.290.04	BONDED SEAL 3/8" BSP	4
5	08.200.01	VALVE - ISOLATING	1
6	02.714.01	ADAPTOR - SWIVEL	1
7	05.124.01	ADAPTOR 3/8"BSPx3/8"BSP	1
8	01.099.01	ADAPTOR 1/4"BSPx3/8"BSP	1
9	46518.12	RESTRICTOR	1
10	10.001.26	1/4"BSP FS/FS 1600	0

RAM ASSY SECOND

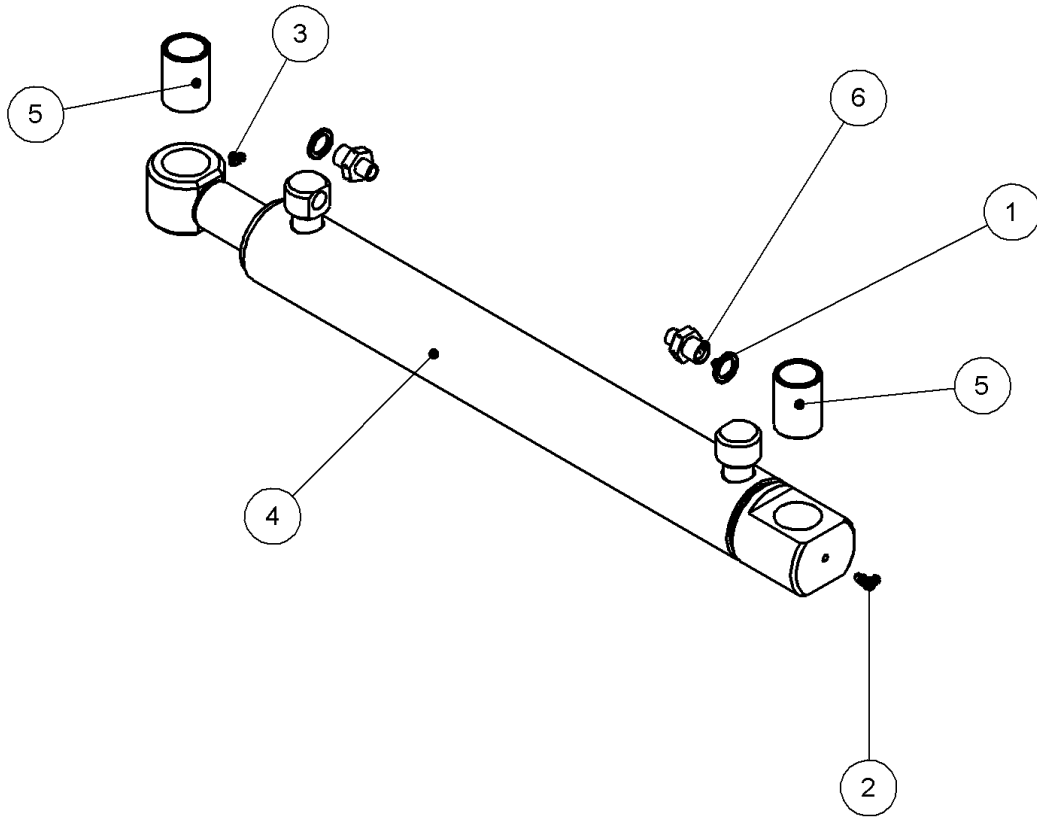
76.390.01 REV : B



ITEM NO.	PART NUMBER	DESCRIPTION	QTY.
1	48079.01	RAM ASSY D/A 75 BORE 530 STK	1
2	05.290.04	BONDED SEAL 3/8" BSP	2
3	05.953.01	GREASE NIPPLE M6xStr	2
4	46518.08	RESTRICTOR	1
5	01.099.01	ADAPTOR 1/4"BSPx3/8"BSP	1

RAM ASSY COWL CABLE

77.113.02 REV : C

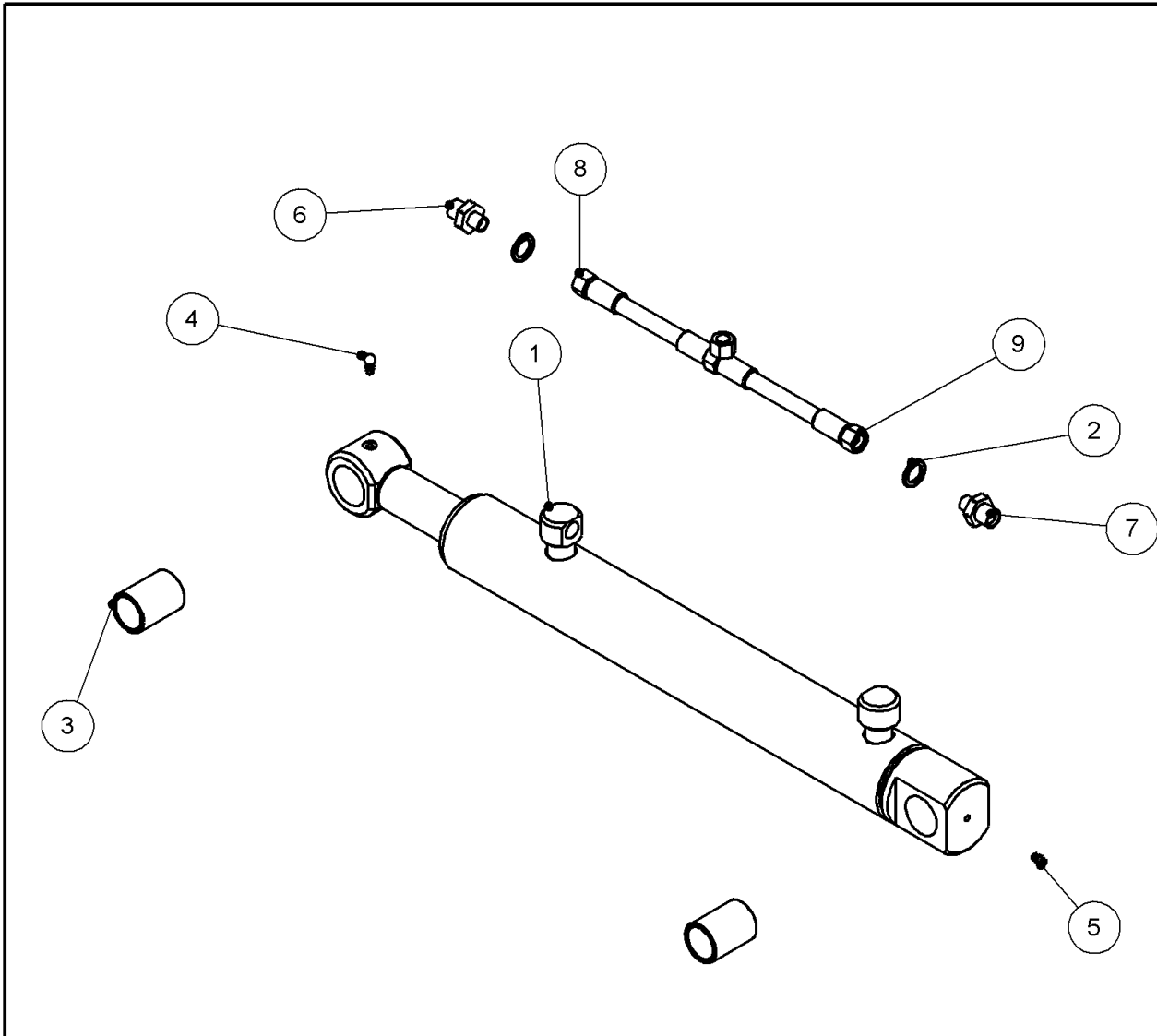


* SEAL KIT PART NO. - 48068.25

ITEM NO.	PART NUMBER	DESCRIPTION	QTY.
1	05.290.04	BONDED SEAL 3/8" BSP	2
2	05.953.05	GREASE NIPPLE M6x90 deg	1
3	05.953.01	GREASE NIPPLE M6xStr	1
4	48068.01	RAM ASSY D/A 60 BORE X 430 STK	1
5	08.297.14	BUSH 37X30X50	2
6	46518.08	RESTRICTOR	2

SLEW RAM KIT

77.217.01 REV : C

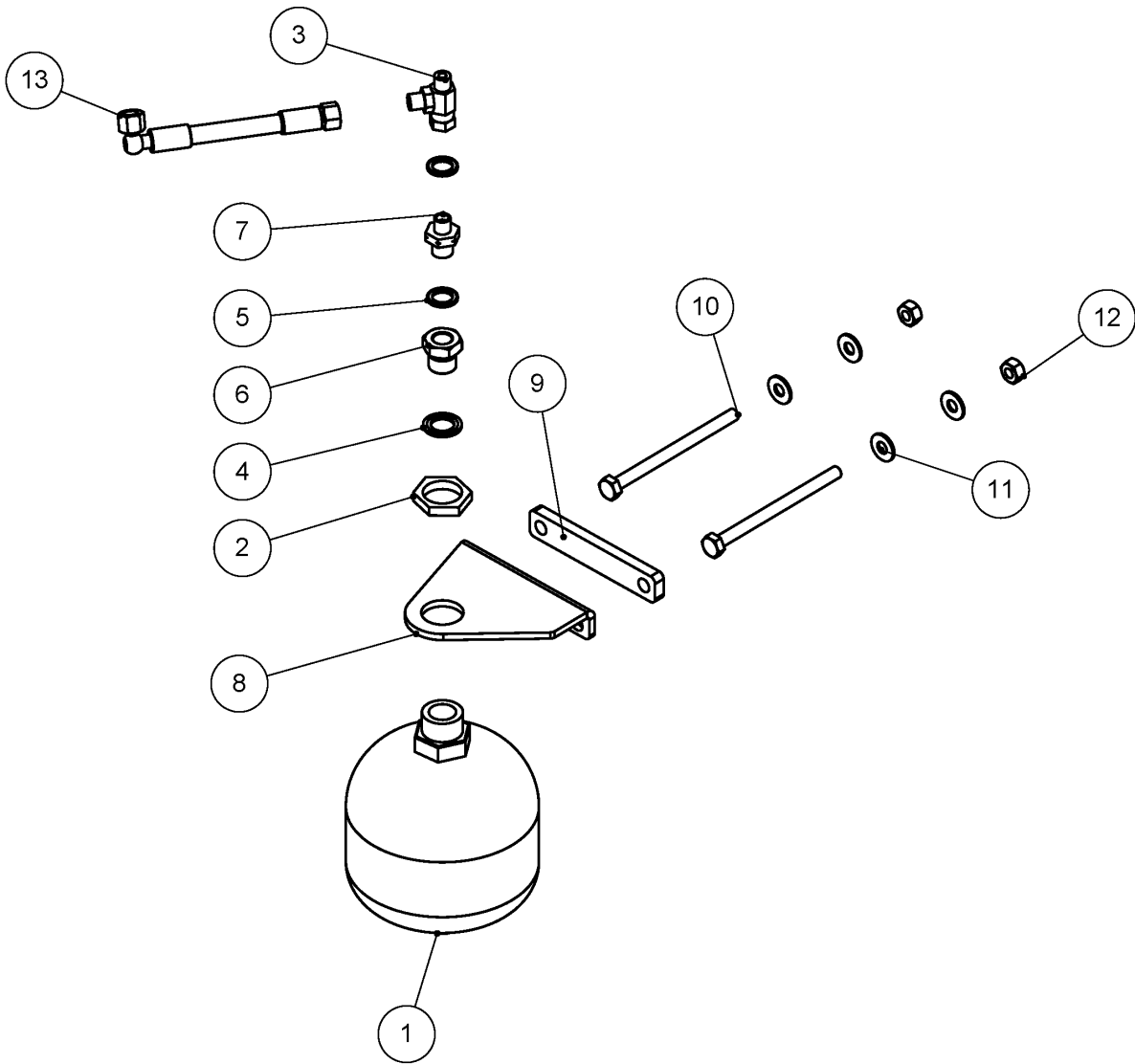


SEAL KIT PART No. - 48067.25

ITEM NO.	PART NUMBER	DESCRIPTION	QTY.
1	48067.01	RAM ASSY 60 BORE X 340 STK	1
2	05.290.04	BONDED SEAL 3/8" BSP	2
3	08.297.14	BUSH 37X30X50	2
4	05.953.05	GREASE NIPPLE M6x90 deg	1
5	05.953.01	GREASE NIPPLE M6xStr	1
6	46518.14	RESTRICTOR	1
7	46518.08	RESTRICTOR	1
8	10.002.10	1/4"BSP FS/F90 500	1
9	10.001.24	1/4"BSP FS/FS 1400	1

ACCUMULATOR ASSY

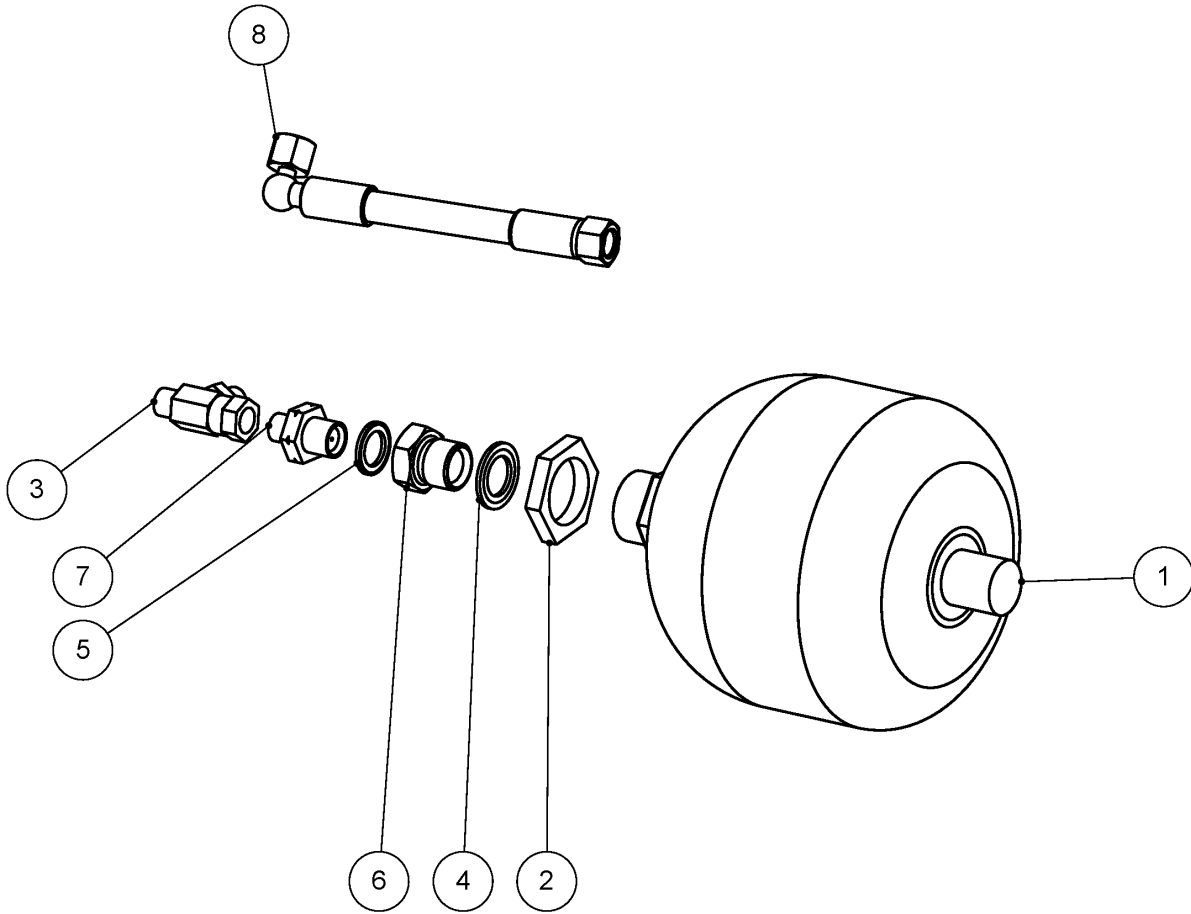
77.117.04 REV : A



ITEM NO.	PART NUMBER	DESCRIPTION	QTY.
1	8126043	ACCUMULATOR 1.4LT - 90 BAR	1
2	8126035	NUT	1
3	04.056.10	TEE ADAPTOR FMM	1
4	8650322	BONDED SEAL 1/2" BSP	1
5	05.290.04	BONDED SEAL 3/8" BSP	2
6	8581284	ADAPTOR - M22X3/8BSP MF	1
7	46518.08	RESTRICTOR	1
8	47122.01	PLATE 6MM	1
9	47124.01	PLATE 10MM	1
10	05.292.17	BOLT M10x140	2
11	05.281.02	FLAT WASHER M10	4
12	05.287.02	SELF-LOCKING NUT M10	2
13	10.002.10	1/4" BSP FS/F90 500	1

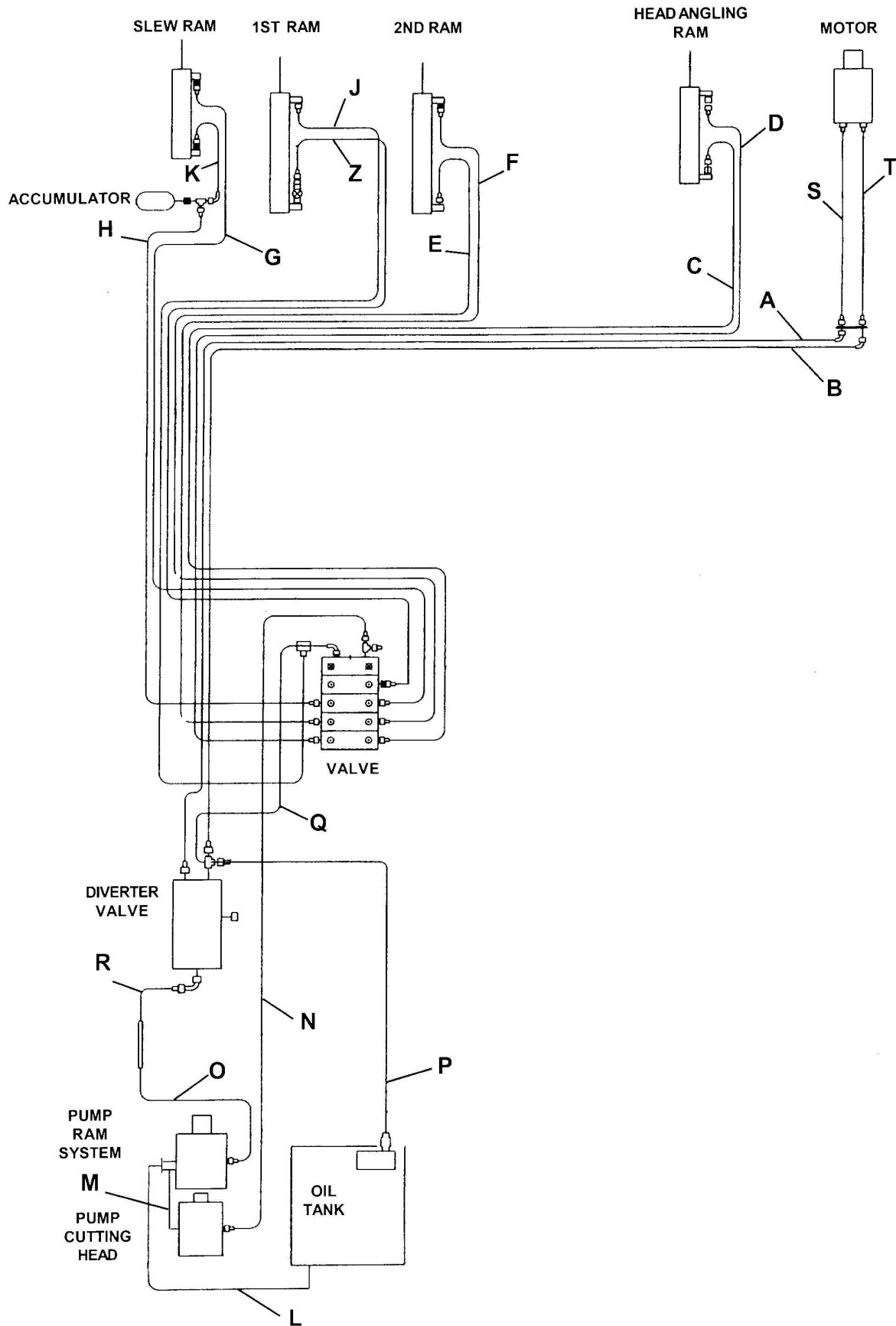
ACCUMULATOR - SLEW RAM

77.117.06 REV : A



ITEM NO.	PART NUMBER	DESCRIPTION	QTY.
1	8126043	ACCUMULATOR 1.4LT - 90 BAR	1
2	8126035	NUT	1
3	04.056.10	TEE ADAPTOR FMM	1
4	8650322	BONDED SEAL 1/2" BSP	1
5	05.290.04	BONDED SEAL 3/8" BSP	1
6	8581284	ADAPTOR - M22X3/8BSP MF	1
7	46518.08	RESTRICTOR	1
8	10.002.10	1/4"BSP FS/F90 500	1

This page is intentionally left blank.



HOSE SERV KIT HARRIER RH 70L

77.340.02 REV : A

47058.02 - HOSE KIT HARRIER 70L RH PS			
ITEM	PART NO.	DESCRIPTION	QTY
A	10.021.73	HOSE 3/4"BSP STX135 S.SEAL6300	1
B	10.021.73	HOSE 3/4"BSP STX135 S.SEAL6300	1
C	10.002.63	HOSE 1/4"BSP STX90 S.SEAL 5300	1
D	10.002.63	HOSE 1/4"BSP STX90 S.SEAL 5300	1
E	10.002.45	HOSE 1/4"BSP STX90 S.SEAL 3500	1
F	10.002.45	HOSE 1/4"BSP STX90 S.SEAL 3500	1
G	10.002.24	HOSE 1/4"BSP STX90 S.SEAL 1400	1
H	10.002.25	HOSE 1/4"BSP STX90 S.SEAL 1500	1
J	10.002.36	HOSE 1/4"BSP STX90 S.SEAL 2600	1
L	10.024.17	1 1/2" SUCTION HOSE PLAIN 500	1
M	10.009.12	HOSE 3/4"BSP STXST S.SEAL 600	1
N	10.004.20	HOSE 3/8"BSP STX90 S.SEAL 1000	1
O	10.021.14	3/4" HOSE COMPACT 90 X PLAIN 500	1
P	10.010.14	HOSE 3/4"BSP STX90 S.SEAL 700	1
Q	10.006.13	HOSE 1/2"BSP STX90 S.SEAL 650	1
S	10.009.26	HOSE 3/4"BSP ST/ST S.SEAL 1600	1
T	10.009.26	HOSE 3/4"BSP ST/ST S.SEAL 1600	1
Z	10.002.36	HOSE 1/4"BSP STX90 S.SEAL 2600	1

ADDITIONAL COMPONENTS			
	47080.02	3/4" STEEL HOSE RUBBER HOSE ASSY	1
	7106187	NYLON STRAP HOSE	4

HOSE SERV KIT HARRIER LH 70L

77.340.03 REV : A

47058.03 - HOSE SERV KIT HARRIER 70L LH			
ITEM	PART NO.	DESCRIPTION	QTY
A	10.021.73	HOSE 3/4"BSP STX135 S.SEAL6300	1
B	10.021.73	HOSE 3/4"BSP STX135 S.SEAL6300	1
C	10.002.63	HOSE 1/4"BSP STX90 S.SEAL 5300	1
D	10.002.63	HOSE 1/4"BSP STX90 S.SEAL 5300	1
E	10.002.45	HOSE 1/4"BSP STX90 S.SEAL 3500	1
F	10.002.45	HOSE 1/4"BSP STX90 S.SEAL 3500	1
J	10.002.36	HOSE 1/4"BSP STX90 S.SEAL 2600	1
L	10.024.17	1 1/2" SUCTION HOSE PLAIN 500	1
M	10.009.12	HOSE 3/4"BSP STXST S.SEAL 600	1
N	10.004.20	HOSE 3/8"BSP STX90 S.SEAL 1000	1
O	10.021.14	3/4" HOSE COMPACT 90 X PLAIN 500	1
P	10.010.14	HOSE 3/4"BSP STX90 S.SEAL 700	1
Q	10.006.13	HOSE 1/2"BSP STX90 S.SEAL 650	1
S	10.009.26	HOSE 3/4"BSP ST/ST S.SEAL 1600	1
T	10.009.26	HOSE 3/4"BSP ST/ST S.SEAL 1600	1
Z	10.002.36	HOSE 1/4"BSP STX90 S.SEAL 2600	1

ADDITIONAL COMPONENTS			
	47080.01	3/4" STEEL HOSE RUBBER HOSE ASSY	1
	7106187	NYLON STRAP HOSE	4

HOSE SERV KIT 84L RH

77.358.01 REV : A

47088.02 - HOSE KIT 5.0 RH 84L PS			
ITEM	PART NO.	DESCRIPTION	QTY
A	10.025.73	HOSE 1"BSP ST 135 S.SEAL 6300	1
B	10.025.73	HOSE 1"BSP ST 135 S.SEAL 6300	1
C	10.002.63	HOSE 1/4"BSP STX90 S.SEAL 5300	1
D	10.002.63	HOSE 1/4"BSP STX90 S.SEAL 5300	1
E	10.002.45	HOSE 1/4"BSP STX90 S.SEAL 3500	1
F	10.002.45	HOSE 1/4"BSP STX90 S.SEAL 3500	1
G	10.002.24	HOSE 1/4"BSP STX90 S.SEAL 1400	1
H	10.002.25	HOSE 1/4"BSP STX90 S.SEAL 1500	1
J	10.002.36	HOSE 1/4"BSP STX90 S.SEAL 2600	1
K	10.002.10	HOSE 1/4"BSP STX90 S.SEAL 500	1
L	10.024.18	1 1/2" SUCTION HOSE	1
M	10.009.12	HOSE 3/4"BSP STXST S.SEAL 600	1
N	10.004.20	HOSE 3/8"BSP STX90 S.SEAL 1000	1
O	10.021.14	3/4" HOSE COMPACT 90 X PLAIN 500	1
P	10.012.11	HOSE 1"BSP STX90 S.SEAL 550	1
Q	10.006.13	HOSE 1/2"BSP STX90 S.SEAL 650	1
S	10.011.26	HOSE 1"BSP STXST S.SEAL 1600	1
T	10.011.26	HOSE 1"BSP STXST S.SEAL 1600	1
Z	10.002.37	HOSE 1/4"BSP STX90 S.SEAL 2700	1

ADDITIONAL COMPONENTS			
	47080.02	3/4" STEEL HOSE RUBBER HOSE ASSY	1
	7106187	NYLON STRAP HOSE	4

HOSE KIT SCHEDULE

77.346.02 REV : A

47088.03 - HOSE KIT FOR HARRIER 4.7M NP NON SLEW			
ITEM	PART NO.	DESCRIPTION	QTY
A	10.025.70	HOSE 1" BSP STX135 6000	1
B	10.025.70	HOSE 1" BSP STX135 6000	1
C	10.002.63	HOSE 1/4"BSP STX90 S.SEAL 5300	1
D	10.002.63	HOSE 1/4"BSP STX90 S.SEAL 5300	1
E	10.002.45	HOSE 1/4"BSP STX90 S.SEAL 3500	1
F	10.002.45	HOSE 1/4"BSP STX90 S.SEAL 3500	1
J	10.002.36	HOSE 1/4"BSP STX90 S.SEAL 2600	1
L	10.024.18	1 1/2" SUCTION HOSE	1
M	10.021.18	HOSE 3/4"BSP 90 X PLAIN 900	1
N	10.004.20	HOSE 3/8"BSP STX90 S.SEAL 1000	1
O	10.009.12	HOSE 3/4"BSP STXST S.SEAL 600	1
P	10.012.11	HOSE 1"BSP STX90 S.SEAL 550	1
Q	10.006.13	HOSE 1/2"BSP STX90 S.SEAL 650	1
S	10.011.26	HOSE 1"BSP STXST S.SEAL 1600	1
T	10.011.26	HOSE 1"BSP STXST S.SEAL 1600	1
Z	10.002.36	HOSE 1/4"BSP STX90 S.SEAL 2600	1

ADDITIONAL COMPONENTS			
	47080.01	3/4" STEEL HOSE RUBBER HOSE ASSY	1
	7106187	NYLON STRAP HOSE	4

HOSE SERV KIT 84L RH

77.358.04 REV : A

47088.08 - HOSEKIT 4.7 RH 84L NP LPH			
ITEM	PART NO.	DESCRIPTION	QTY
A	10.025.70	HOSE 1" BSP STX135 6000	1
B	10.025.70	HOSE 1" BSP STX135 6000	1
C	10.002.63	HOSE 1/4"BSP STX90 S.SEAL 5300	1
D	10.002.63	HOSE 1/4"BSP STX90 S.SEAL 5300	1
E	10.002.45	HOSE 1/4"BSP STX90 S.SEAL 3500	1
F	10.002.45	HOSE 1/4"BSP STX90 S.SEAL 3500	1
J	10.002.36	HOSE 1/4"BSP STX90 S.SEAL 2600	1
L	10.024.12	HOSE 1.5" BSP ST X ST 500	1
N	10.004.20	HOSE 3/8"BSP STX90 S.SEAL 1000	1
O	10.010.24	HOSE 3/4"BSP STX90 S.SEAL 1400	1
P	10.012.17	HOSE 1"BSP STX09 S.SEAL 850	1
Q	10.006.13	HOSE 1/2"BSP STX90 S.SEAL 650	1
S	10.011.26	HOSE 1"BSP STXST S.SEAL 1600	1
T	10.011.26	HOSE 1"BSP STXST S.SEAL 1600	1
Z	10.002.36	HOSE 1/4"BSP STX90 S.SEAL 2600	1

ADDITIONAL COMPONENTS			
	7106187	NYLON STRAP HOSE	4

HOSE SERV KIT HARRIER 5NP LPH

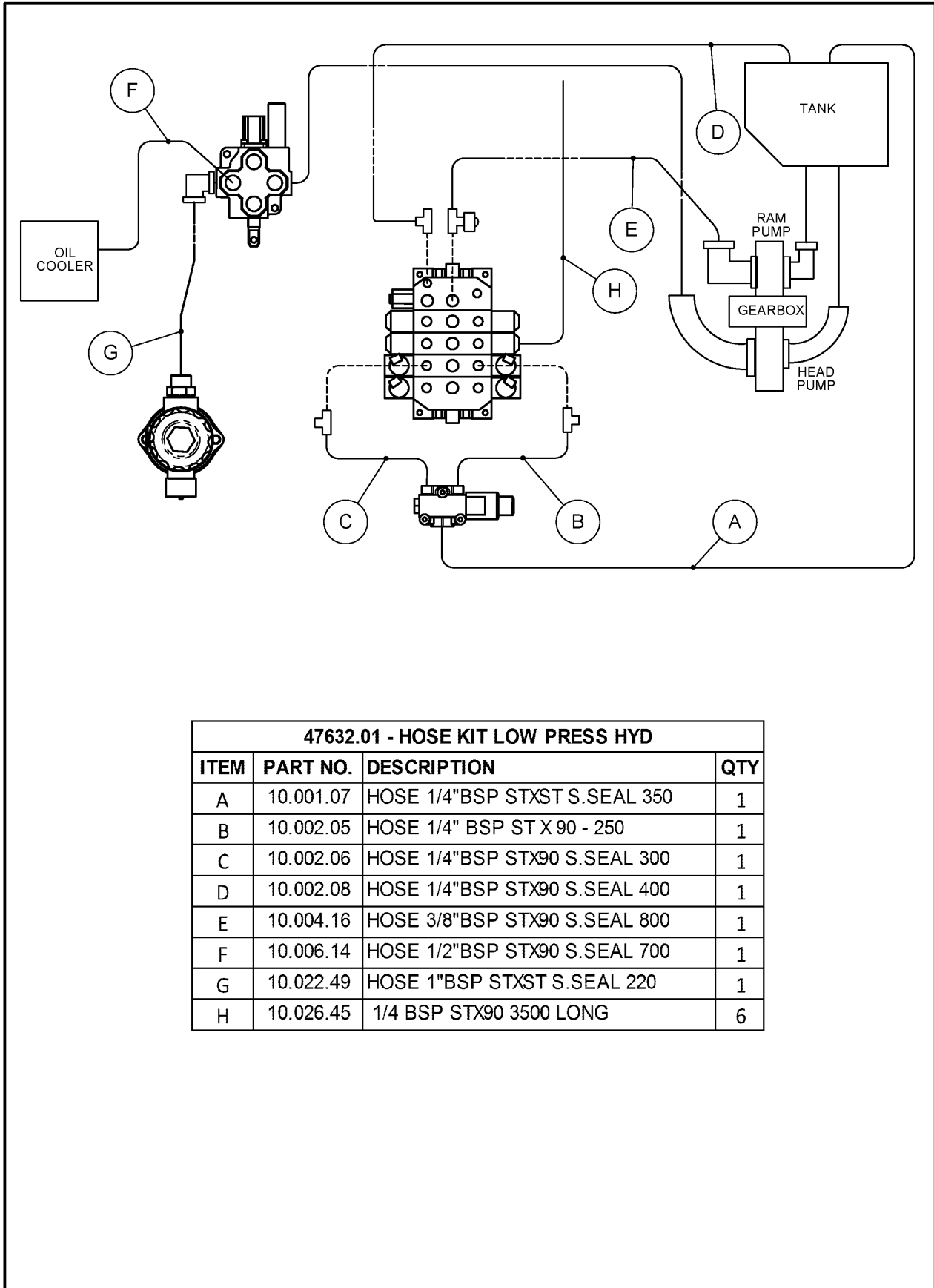
77.358.08 REV : A

47088.10 - HOSEKIT 5NP RH LPH 84L			
ITEM	PART NO.	DESCRIPTION	QTY
A	10.025.73	HOSE 1"BSP ST 135 S.SEAL 6300	1
B	10.025.73	HOSE 1"BSP ST 135 S.SEAL 6300	1
C	10.002.63	HOSE 1/4"BSP STX90 S.SEAL 5300	1
D	10.002.63	HOSE 1/4"BSP STX90 S.SEAL 5300	1
E	10.002.42	HOSE 1/4"BSP STX90 S.SEAL 3200	1
F	10.002.42	HOSE 1/4"BSP STX90 S.SEAL 3200	1
G	10.002.24	HOSE 1/4"BSP STX90 S.SEAL 1400	1
H	10.002.25	HOSE 1/4"BSP STX90 S.SEAL 1500	1
J	10.002.36	HOSE 1/4"BSP STX90 S.SEAL 2600	1
K	10.002.10	HOSE 1/4"BSP STX90 S.SEAL 500	1
L	10.024.12	HOSE 1.5" BSP ST X ST 500	1
M	10.010.24	HOSE 3/4"BSP STX90 S.SEAL 1400	1
N	10.004.23	HOSE 3/8"BSP STX90 S.SEAL 1300	1
O	10.022.49	HOSE 1"BSP STXST S.SEAL 220	1
P	10.012.14	HOSE 1"BSP STX90 S.SEAL 700	1
Q	10.006.13	HOSE 1/2"BSP STX90 S.SEAL 650	1
S	10.011.26	HOSE 1"BSP STXST S.SEAL 1600	1
T	10.011.26	HOSE 1"BSP STXST S.SEAL 1600	1
Z	10.002.37	HOSE 1/4"BSP STX90 S.SEAL 2700	1

ADDITIONAL COMPONENTS			
	7106187	NYLON STRAP HOSE	4

HOSEKIT LOW PRESSURE HYD

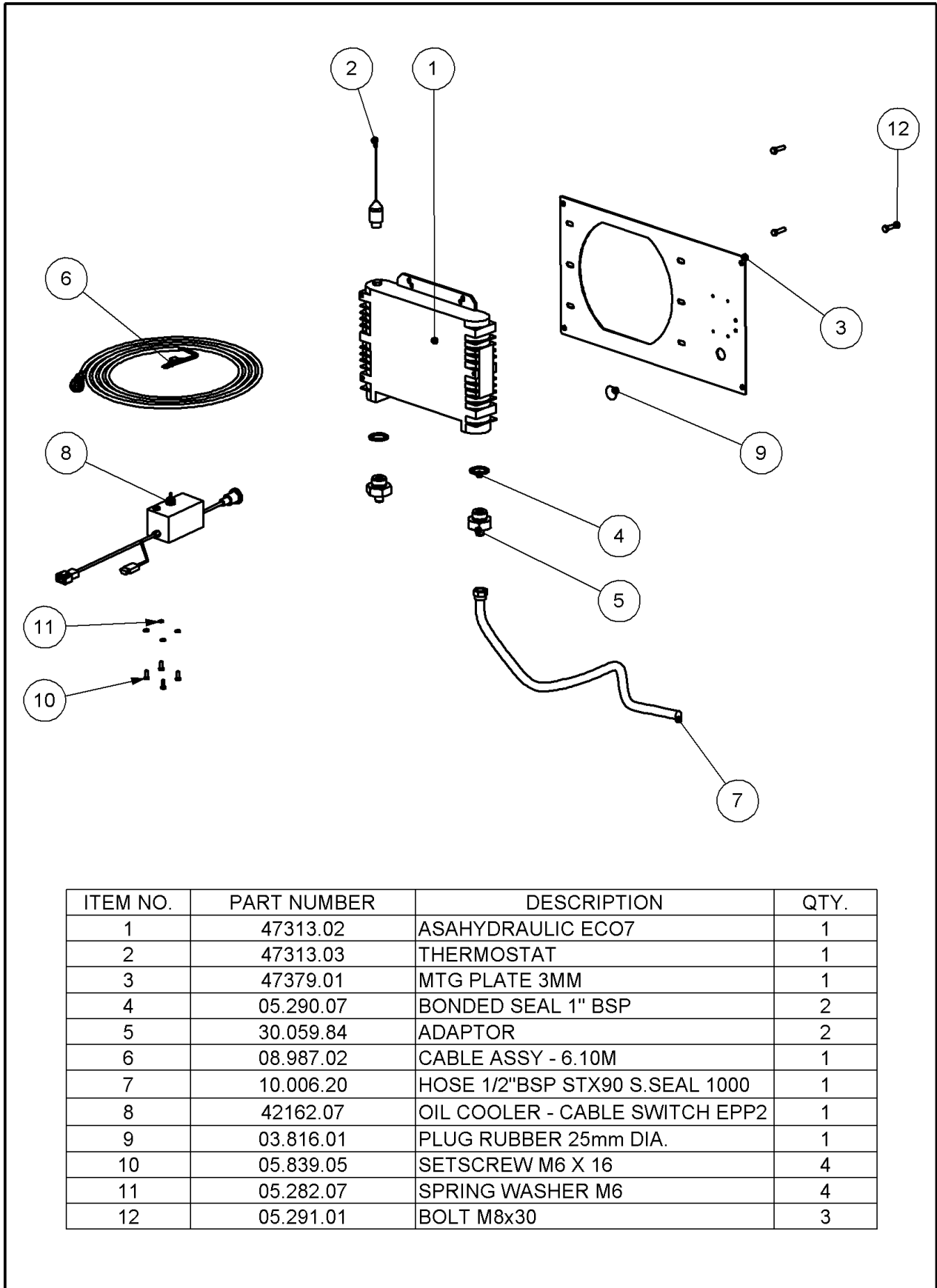
77.460.01 REV : A



47632.01 - HOSE KIT LOW PRESS HYD			
ITEM	PART NO.	DESCRIPTION	QTY
A	10.001.07	HOSE 1/4"BSP STXST S.SEAL 350	1
B	10.002.05	HOSE 1/4" BSP ST X 90 - 250	1
C	10.002.06	HOSE 1/4"BSP STX90 S.SEAL 300	1
D	10.002.08	HOSE 1/4"BSP STX90 S.SEAL 400	1
E	10.004.16	HOSE 3/8"BSP STX90 S.SEAL 800	1
F	10.006.14	HOSE 1/2"BSP STX90 S.SEAL 700	1
G	10.022.49	HOSE 1"BSP STXST S.SEAL 220	1
H	10.026.45	1/4 BSP STX90 3500 LONG	6

OIL COOLER ASSY EPP2 ONLY

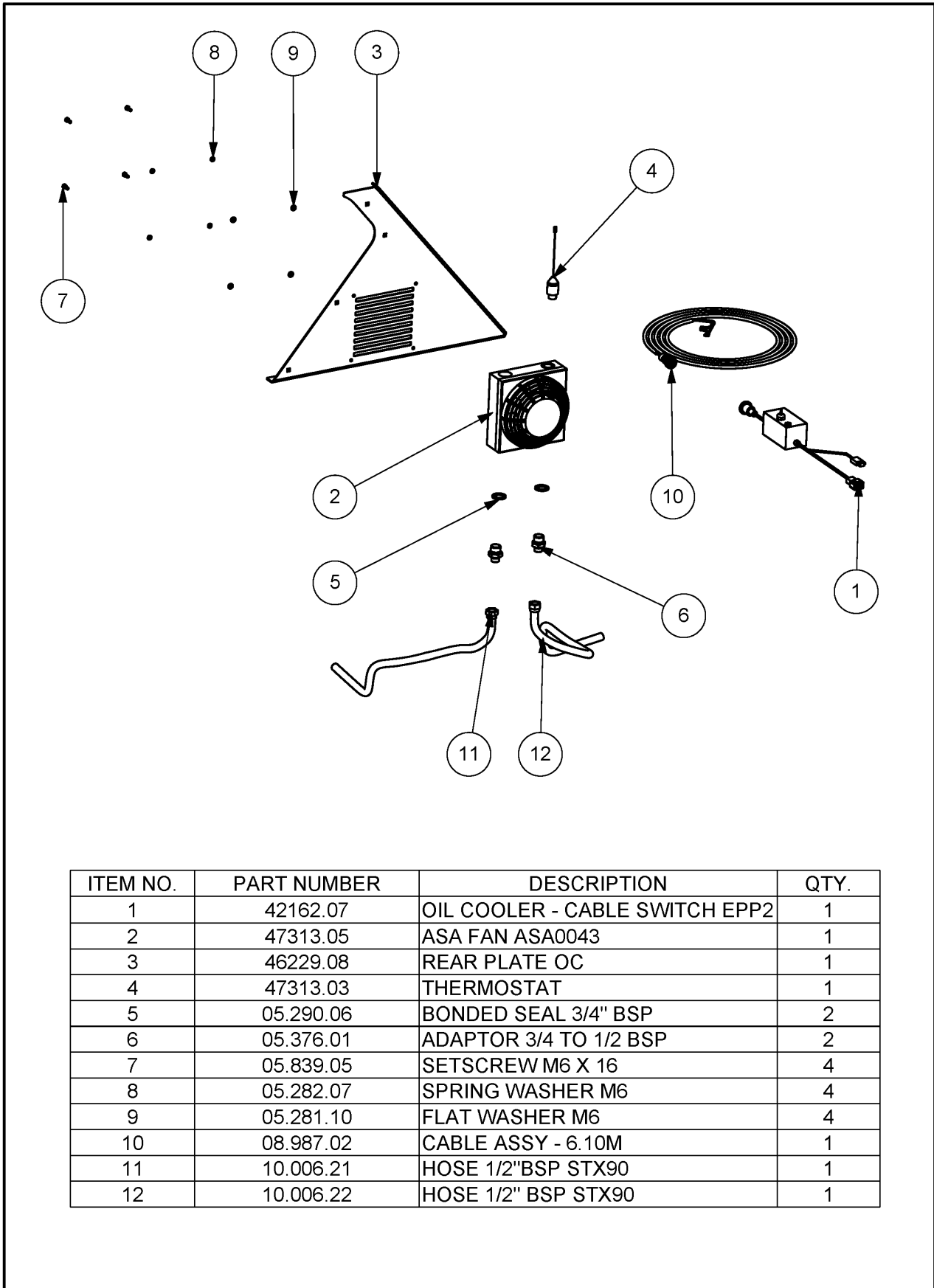
77.146.12 REV : A



ITEM NO.	PART NUMBER	DESCRIPTION	QTY.
1	47313.02	ASAHYDRAULIC ECO7	1
2	47313.03	THERMOSTAT	1
3	47379.01	MTG PLATE 3MM	1
4	05.290.07	BONDED SEAL 1" BSP	2
5	30.059.84	ADAPTOR	2
6	08.987.02	CABLE ASSY - 6.10M	1
7	10.006.20	HOSE 1/2" BSP STX90 S.SEAL 1000	1
8	42162.07	OIL COOLER - CABLE SWITCH EPP2	1
9	03.816.01	PLUG RUBBER 25mm DIA.	1
10	05.839.05	SETSCREW M6 X 16	4
11	05.282.07	SPRING WASHER M6	4
12	05.291.01	BOLT M8x30	3

LPH HARRIER OIL COOLER

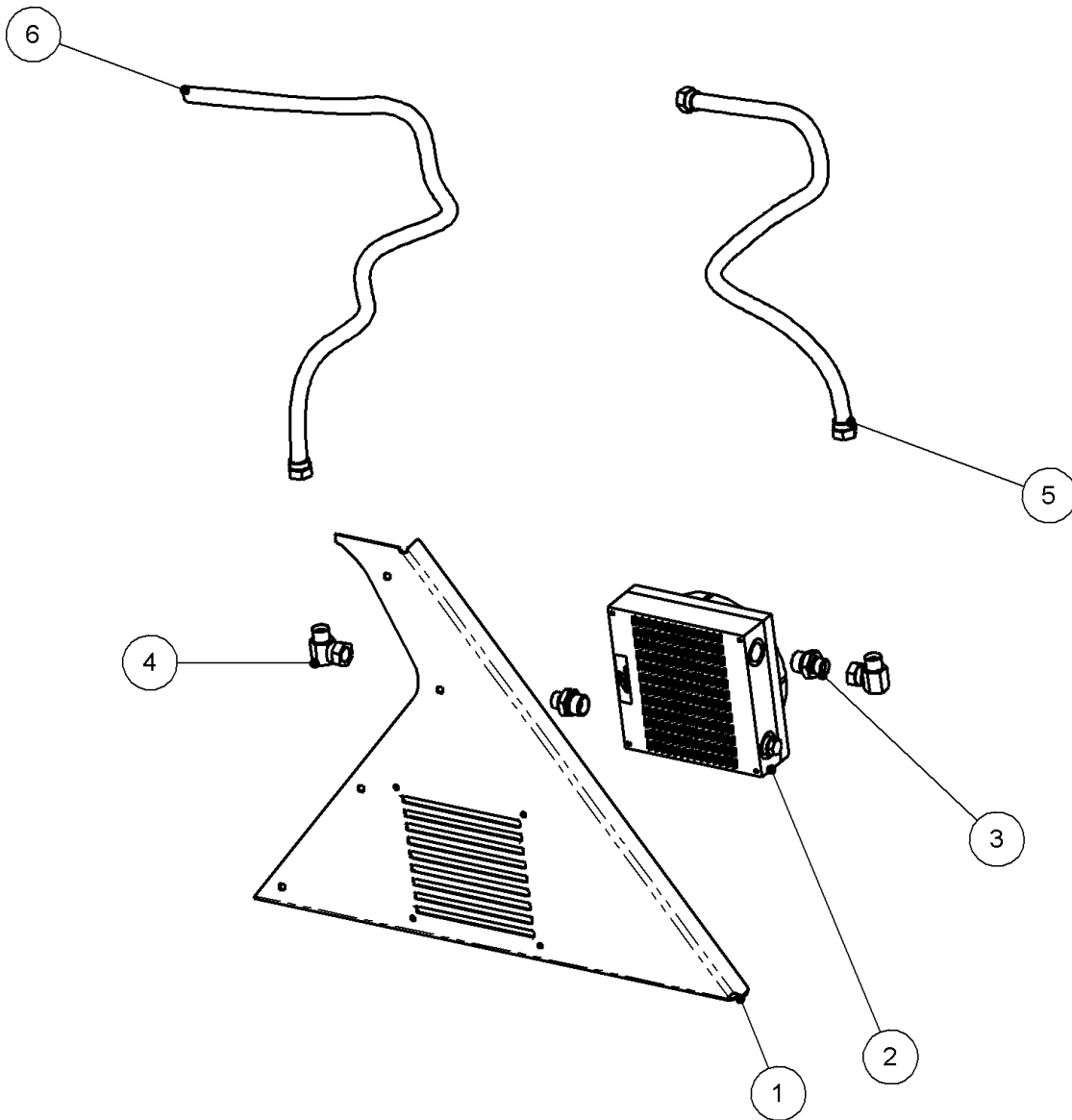
77.120.02 REV : A



ITEM NO.	PART NUMBER	DESCRIPTION	QTY.
1	42162.07	OIL COOLER - CABLE SWITCH EPP2	1
2	47313.05	ASA FAN ASA0043	1
3	46229.08	REAR PLATE OC	1
4	47313.03	THERMOSTAT	1
5	05.290.06	BONDED SEAL 3/4" BSP	2
6	05.376.01	ADAPTOR 3/4 TO 1/2 BSP	2
7	05.839.05	SETSCREW M6 X 16	4
8	05.282.07	SPRING WASHER M6	4
9	05.281.10	FLAT WASHER M6	4
10	08.987.02	CABLE ASSY - 6.10M	1
11	10.006.21	HOSE 1/2" BSP STX90	1
12	10.006.22	HOSE 1/2" BSP STX90	1

OIL COOLER HAWK

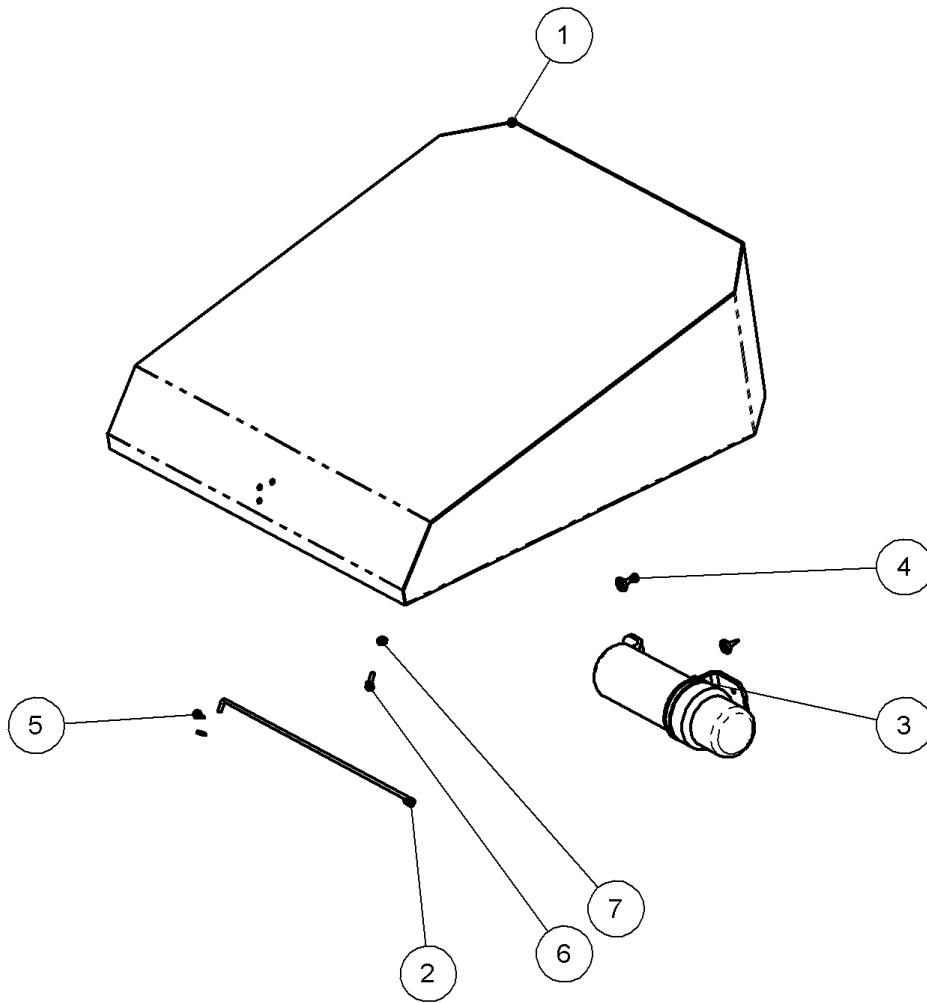
77.120.04 REV : A



ITEM NO.	PART NUMBER	DESCRIPTION	QTY.
1	46229.12	HAWK OIL COOLER PLATE	1
2	47313.05	ASA FAN ASA0043	1
3	05.376.01	ADAPTOR 3/4 TO 1/2 BSP	2
4	05.835.05	90 ADAPTOR M/F SWIVEL	2
5	05.835.05	TEST HOSE 1/2 INCH	1
6	05.835.05	TEST HOSE	1

ECONOMY TANK LID HAWK

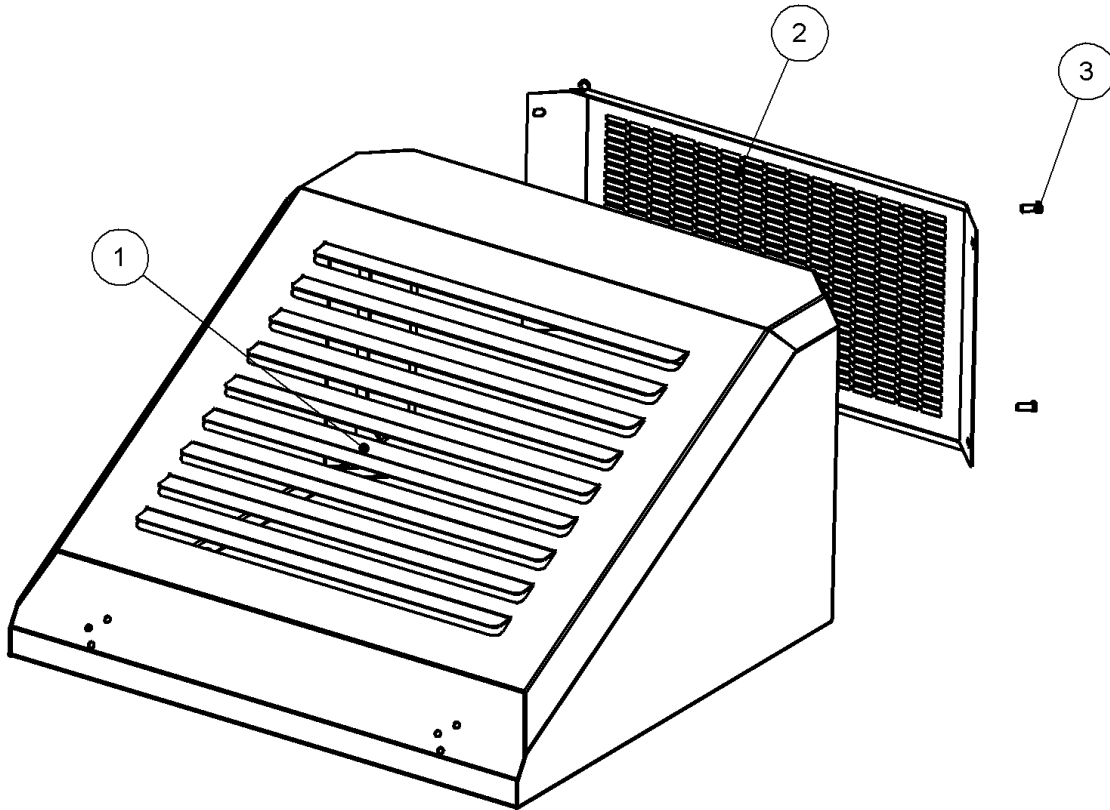
77.410.01 REV : B



ITEM NO.	PART NUMBER	DESCRIPTION	QTY.
1	46225.10	LOW COST LID	1
2	46074.01	STAY	1
3	46505.01	LITERATURE HOLDER	1
4	05.969.02	SELF-TAP SCREW No14 3/4"HEX HD	2
5	46192.01	PUSH ON RETAINER	2
6	05.893.05	M6 X 16MM SETSCREW	1
7	30.070.64	NUT NYLOC M6 Z/P	1

VENTED TANK LID-COOLER ASSY

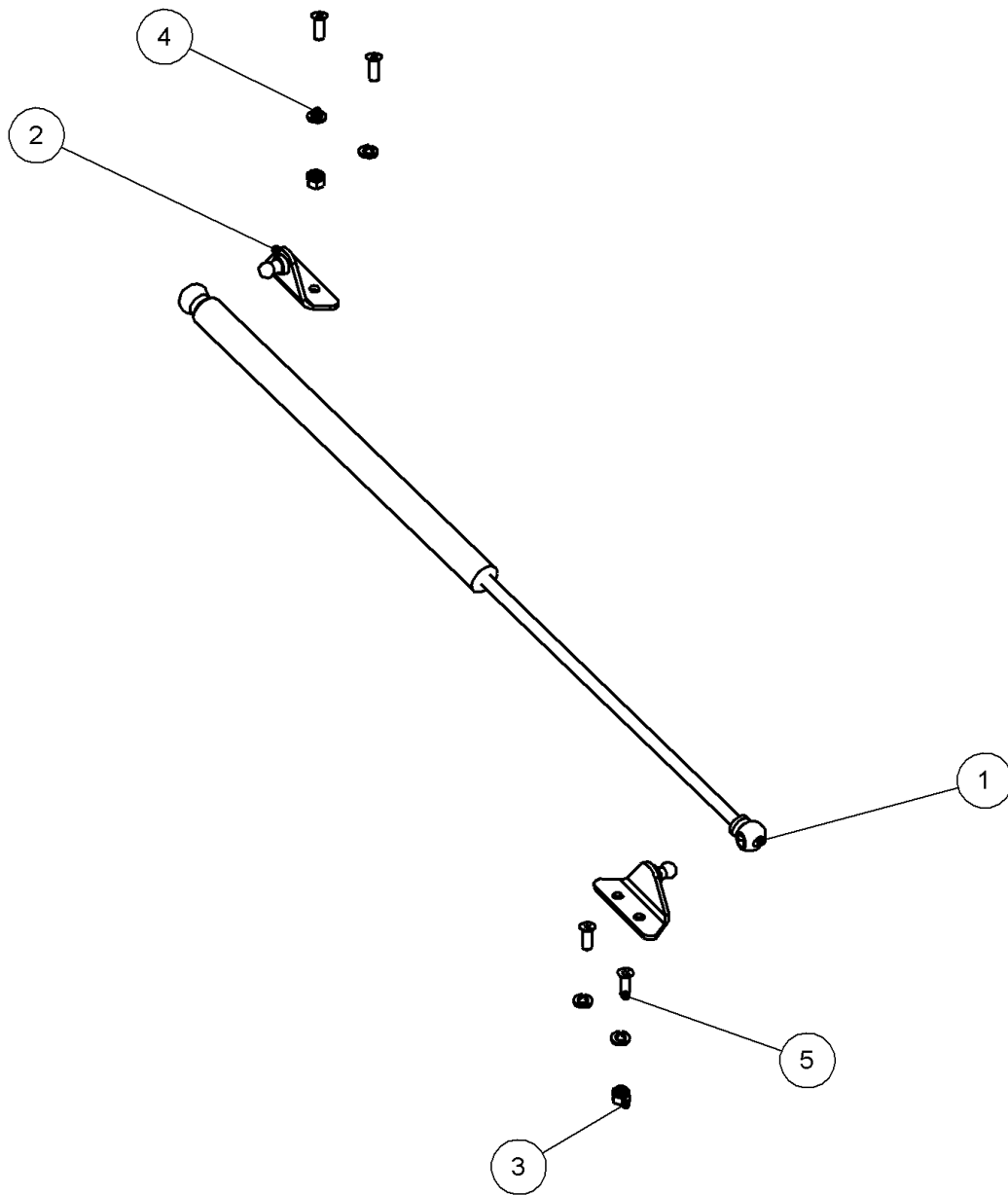
77.410.02 REV : B



ITEM NO.	PART NUMBER	DESCRIPTION	QTY.
1	47320.04	VENTED TANK LID	1
2	47320.10	COVER	1
3	05.625.31	SKT CAPSCREW M8x20	4

GAS STRUT FOR LID

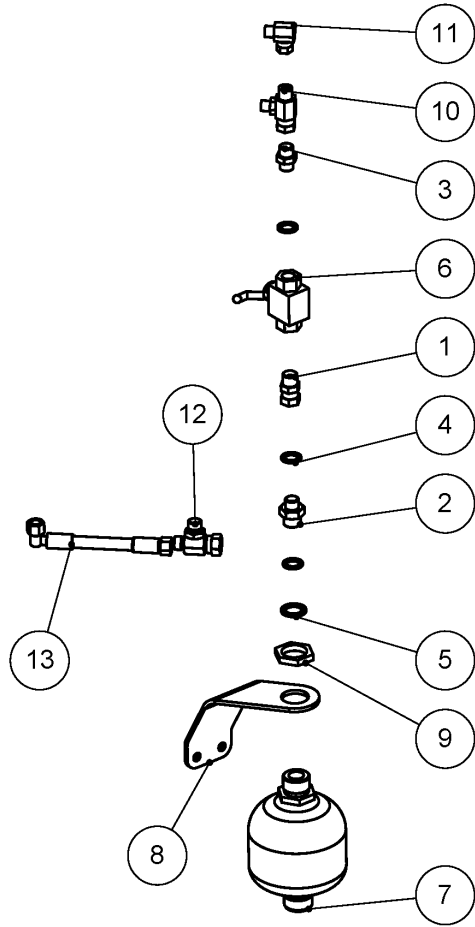
77.305.21 REV : A



ITEM NO.	PART NUMBER	DESCRIPTION	QTY.
1	46748.01	GAS SPRING ASSY	1
2	46765.01	GAS SPRING MTG BRACKET	2
3	30.070.64	NUT NYLOC M6 Z/P	2
4	05.282.07	SPRING WASHER M6	4
5	05.345.14	SOCKET CSK SCREW M6x16	4

ARMFLOAT ASSEMBLY SCHEDULE

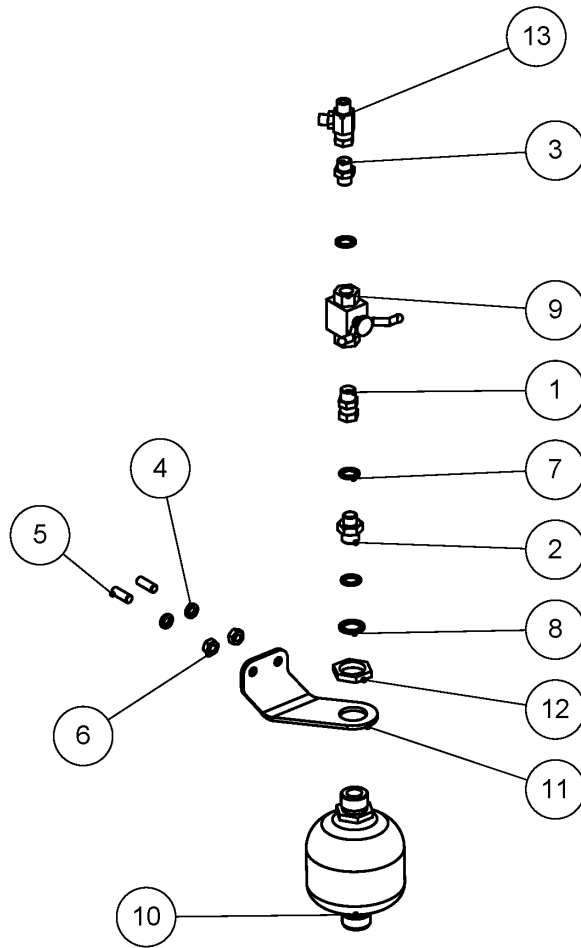
77.221.03 REV : A



ITEM NO.	PART NUMBER	DESCRIPTION	QTY.
1	02.714.01	ADAPTOR - SWIVEL	1
2	05.123.01	ADAPTOR 3/8"BSPx1/2"BSP	1
3	05.124.01	ADAPTOR 3/8"BSPx3/8"BSP	1
4	05.290.04	BONDED SEAL 3/8" BSP	3
5	05.290.05	BONDED SEAL 1/2" BSP	1
6	08.200.01	VALVE - ISOLATING	1
7	41451.02	ACCUMULATOR - 0.7LT (30 BAR)	1
8	46465.01	BRACKET - PLATE 5	1
9	8126035	NUT	1
10	04.056.16	TEE ADAPTOR FMM	1
11	05.835.04	90 ADAPTOR M/F SWIVEL	1
12	11.068.69	ADAPTOR TEE 3/8BSP MFM	1
13	10.004.21	1/4"BSP FS/F90 400	1

ARM FLOAT ASSEMBLY RH

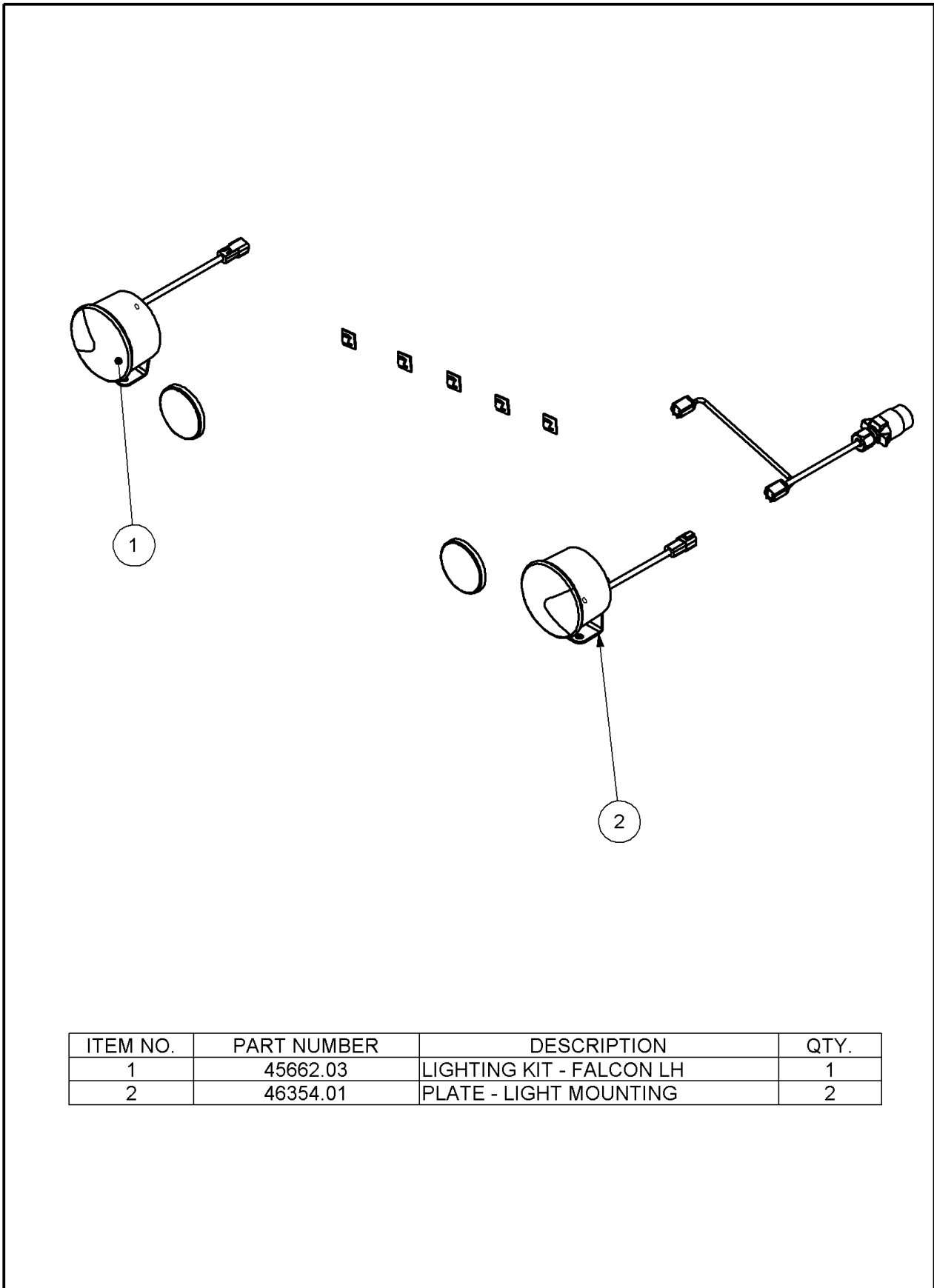
77.221.04 REV : A



ITEM NO.	PART NUMBER	DESCRIPTION	QTY.
1	02.714.01	ADAPTOR - SWIVEL	1
2	05.123.01	ADAPTOR 3/8"BSPx1/2"BSP	1
3	05.124.01	ADAPTOR 3/8"BSPx3/8"BSP	1
4	05.282.02	SPRING WASHER M10	2
5	04.282.24	STUD M10x29	2
6	05.286.02	NUT M10	2
7	05.290.04	BONDED SEAL 3/8" BSP	3
8	05.290.05	BONDED SEAL 1/2" BSP	1
9	08.200.01	VALVE - ISOLATING	1
10	41451.02	ACCUMULATOR - 0.7LT (30 BAR)	1
11	46465.02	BRACKET - PLATE 5	1
12	8126035	NUT	1
13	04.056.16	TEE ADAPTOR FMM	1

LIGHTING KIT LH HAWK

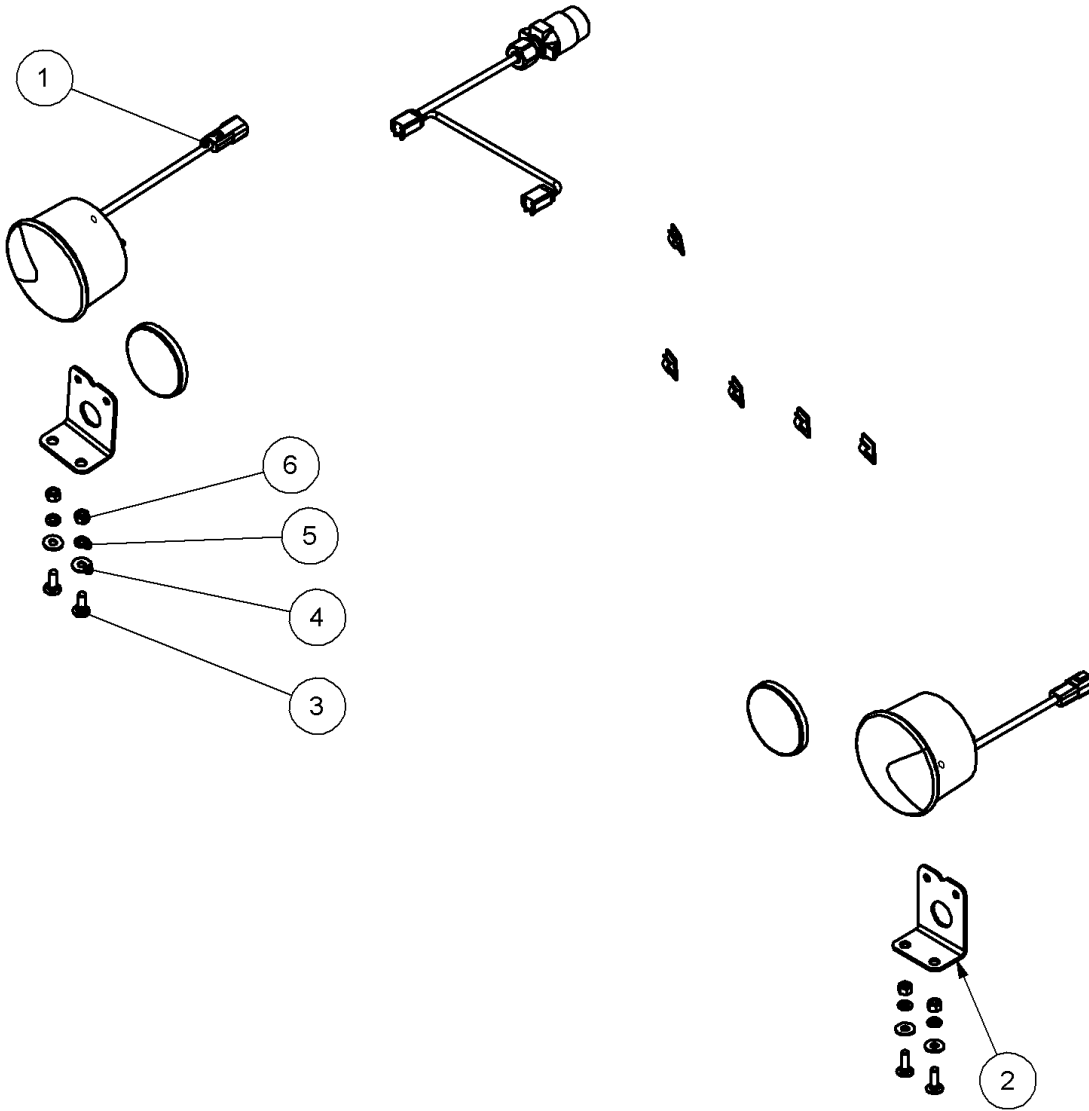
77.212.01 REV : A



ITEM NO.	PART NUMBER	DESCRIPTION	QTY.
1	45662.03	LIGHTING KIT - FALCON LH	1
2	46354.01	PLATE - LIGHT MOUNTING	2

LIGHT KIT

77.212.02 REV : B



ITEM NO.	PART NUMBER	DESCRIPTION	QTY.
1	45662.04	LIGHT KIT - FALCON RH	1
2	46354.01	PLATE - LIGHT MOUNTING	2
3	9293054	BOLT CUP SQR M8x25	4
4	05.281.01	FLAT WASHER M8	4
5	05.282.01	SPRING WASHER M8	4
6	05.286.01	NUT M8	4

DECALS - ENGINEERING

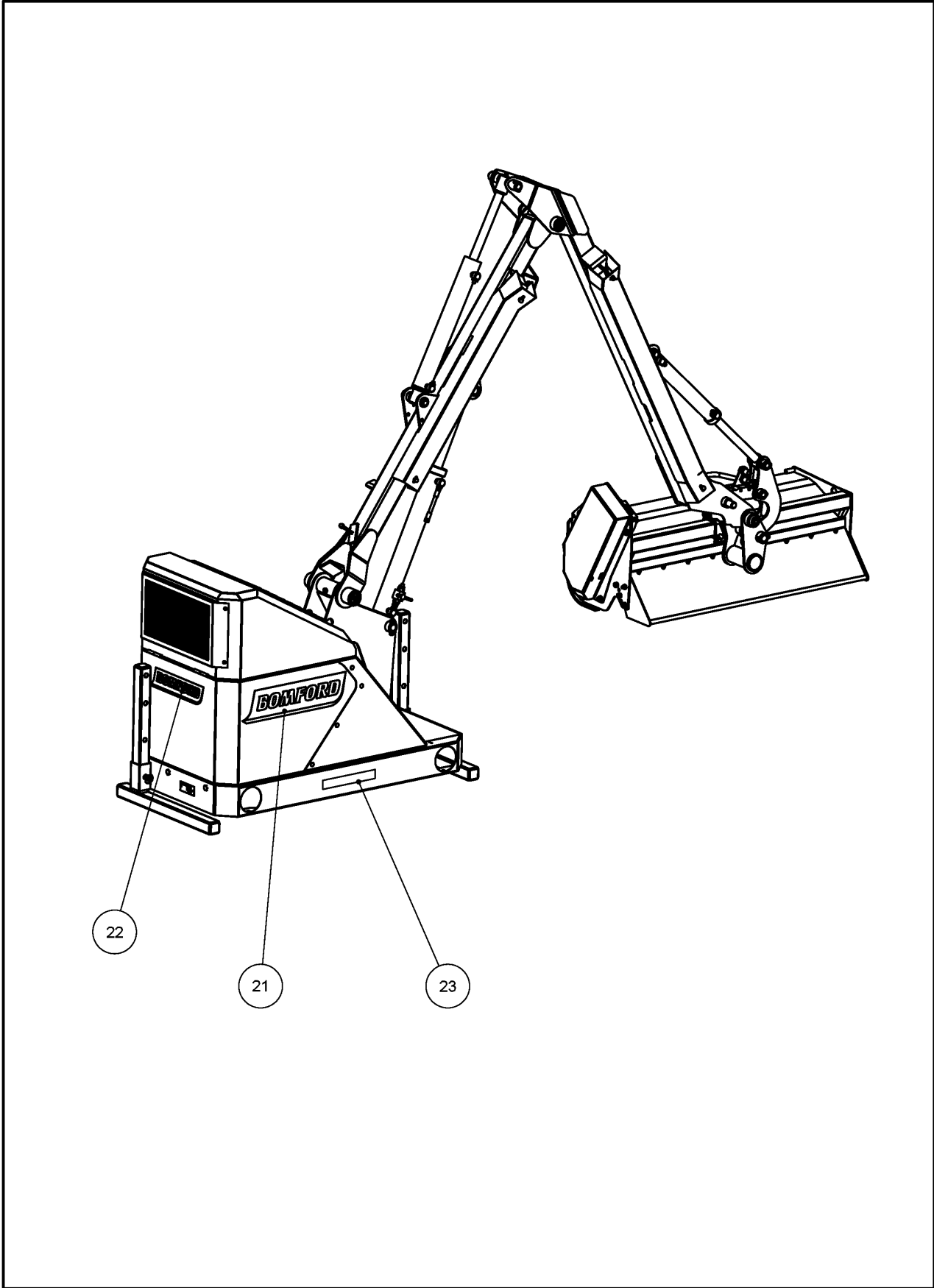
77.138.01 REV : A

ITEM NO.	PART NUMBER	DESCRIPTION	QTY.
1	08.632.01	DECAL - TRANSPORT	1
2	09.811.04	DECAL - 540 MAX ACW	1
3	09.821.28	DECALS - EURO DECAL MINIATURISED	1
4	09.821.32	DECALS - EURO DECAL MINIATURISED	1
5	09.821.33	DECALS - EURO DECAL MINIATURISED	1
6	09.821.34	09.821.34	1
7	09.843.06	DECAL - LIFT POINT 1500 KG	1
8	09.845.01	DECAL - APPROVED OILS	1
9	09.846.02	DECAL - OIL FILTER CHANGE	1
10	46.681.01	DECAL - LEG POSITION WHEN PARKED	1

77.345.01/02 DECALS MARKETING - HARRIER

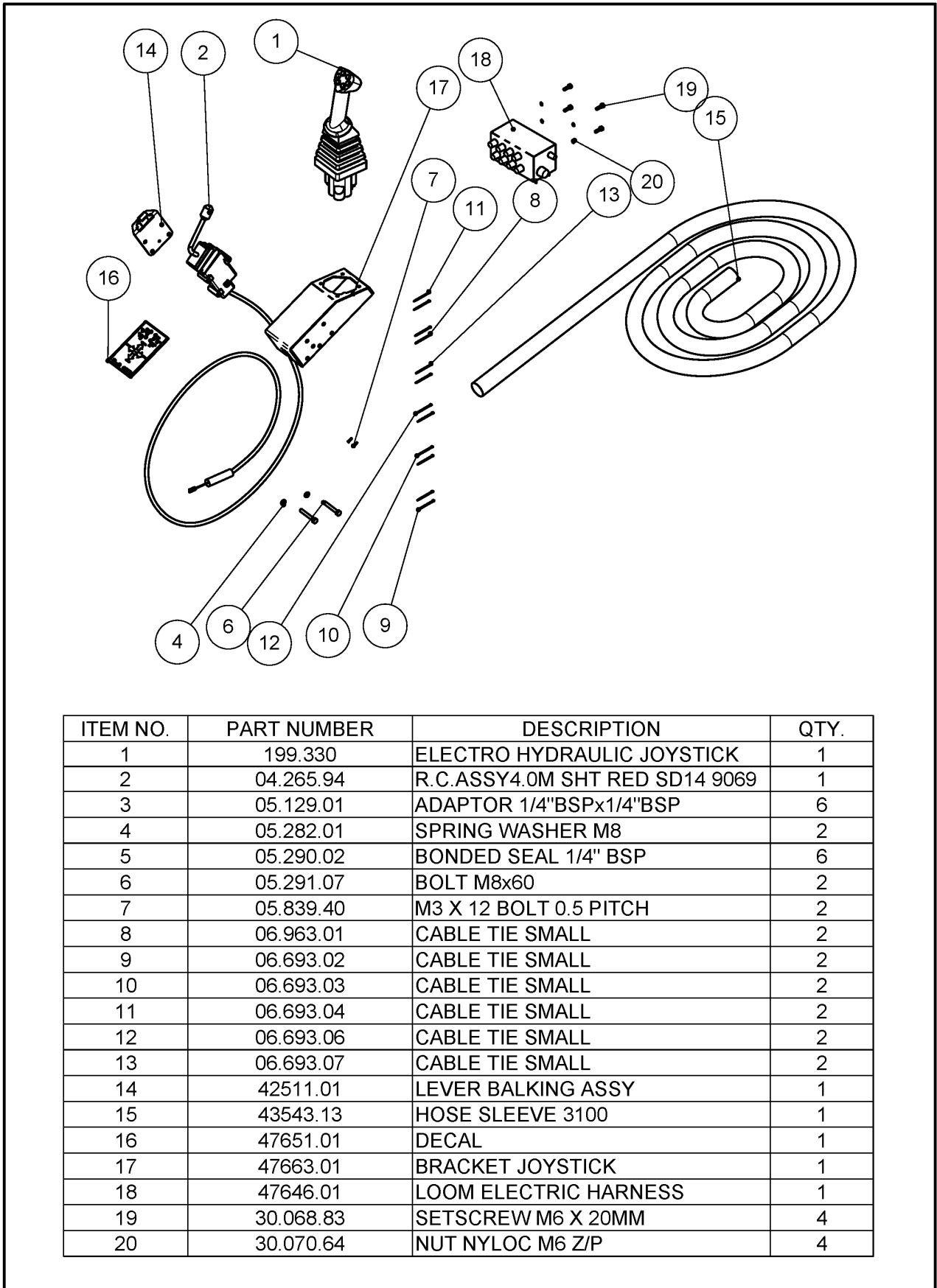
21	45645.01	DECAL - BOMFORD (72MM FONT)	1
22	45645.02	DECAL - BOMFORD (50MM FONT)	1
23	47071.01	DECAL - HARRIER	1

MARKETING DECALS
77.345.01 REV A



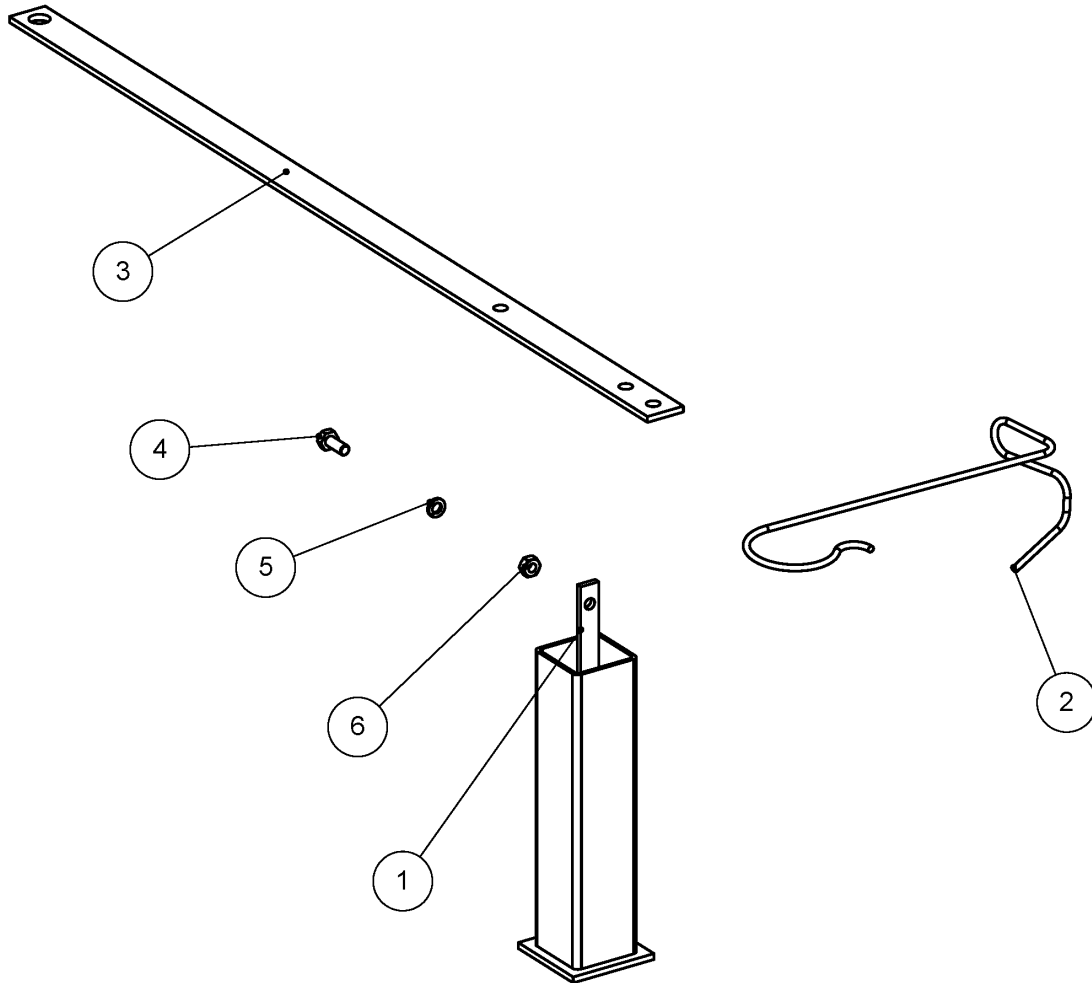
JOYSTICK ASSY LOWPRESHYD

77.456.01 REV : A



ITEM NO.	PART NUMBER	DESCRIPTION	QTY.
1	199.330	ELECTRO HYDRAULIC JOYSTICK	1
2	04.265.94	R.C.ASSY4.0M SHT RED SD14 9069	1
3	05.129.01	ADAPTOR 1/4"BSPx1/4"BSP	6
4	05.282.01	SPRING WASHER M8	2
5	05.290.02	BONDED SEAL 1/4" BSP	6
6	05.291.07	BOLT M8x60	2
7	05.839.40	M3 X 12 BOLT 0.5 PITCH	2
8	06.963.01	CABLE TIE SMALL	2
9	06.693.02	CABLE TIE SMALL	2
10	06.693.03	CABLE TIE SMALL	2
11	06.693.04	CABLE TIE SMALL	2
12	06.693.06	CABLE TIE SMALL	2
13	06.693.07	CABLE TIE SMALL	2
14	42511.01	LEVER BALKING ASSY	1
15	43543.13	HOSE SLEEVE 3100	1
16	47651.01	DECAL	1
17	47663.01	BRACKET JOYSTICK	1
18	47646.01	LOOM ELECTRIC HARNESS	1
19	30.068.83	SETSCREW M6 X 20MM	4
20	30.070.64	NUT NYLOC M6 Z/P	4

TRANSPORT BASE
77.143.02 REV : A



ITEM NO.	PART NUMBER	DESCRIPTION	QTY.
1	08.694.01	STAY - TRANSPORT	1
2	21160.03	PTO HOOK	1
3	46189.01	STRAP - TRANSPORT	1
4	05.264.12	SETSCREW M10x25	1
5	05.282.02	SPRING WASHER M10	1
6	05.286.02	NUT M10	1