

**PM 6000**

***GT 507***

***ARM MOWER***

***PARTS MANUAL***  
***ISSUE 1***

## IMPORTANT

NOTE HERE THE SERIAL NUMBER OF YOUR MACHINE AND ALWAYS QUOTE IT IN ANY COMMUNICATION WITH US OR YOUR DEALER. THIS IS PARTICULARLY IMPORTANT WHEN ORDERING SPARES. REMEMBER TO INCLUDE ALL NUMBERS AND LETTERS.

MACHINE SERIAL NUMBERS \_\_\_\_\_

THE INFORMATION GIVEN THROUGHOUT THIS MANUAL IS CORRECT AT THE TIME OF PUBLICATION. HOWEVER, IN THE COURSE OF CONSTANT DEVELOPMENT OF BOMFORD TURNER MACHINES, CHANGES IN SPECIFICATION ARE INEVITABLE. SHOULD YOU FIND THE INFORMATION GIVEN IN THIS BOOK TO BE AT VARIANCE WITH THE MACHINE IN YOUR POSSESSION, YOU ARE ADVISED TO CONTACT THE BOMFORD TURNER SERVICE DEPARTMENT WHERE UP-TO-DATE INFORMATION WILL BE PROVIDED.

THE MANUAL CAN CONTAIN STANDARD AND OPTIONAL FEATURES AND IS NOT TO BE USED AS A MACHINE SPECIFICATION.

THE MACHINE HAS BEEN TESTED AND IS CONSIDERED SAFE IF CAREFULLY USED ENSURE YOUR OPERATOR IS PROPERLY TRAINED IN ITS USE AND MAINTENANCE.

---

## IMPORTANT

NOTEZ ICI LES NUMEROS DE SERIE DE VOTRE MACHINE ET MENTIONNEZ LES DANS TOUTE COMMUNICATION AVEC NOS SERVICES OU VOTRE REVENDEUR. CECI EST IMPORTANT POUR LA COMMANDE DE PIECES DETACHEES. PENSEZ A NOTER TOUS LES NUMEROS ET TOUTES LES LETTERS.

NUMEROS DE SERIE DE LA MACHINE \_\_\_\_\_

LES INFORMATIONS DONNEES DANS CE MANUEL SONT CORRECTES CEPENDANT, DU FAIT DE DEVELOPPEMENT CONSTANT DES MACHINES BOMFORD TURNER.

CHANGEMENTS DANS LES CARACTERISTIQUES SONT INEVITABLES.

SI VOUS TROUVEZ QUE LES INFORMATIONS DONNEES NE CORRESPONDENT PAS A VOTRE MACHINE VEUILLEZ CONTACTER LE SERVICE DES REPARATIONS OU DES INFORMATIONS PLUS RECENTES VOUS SERONT DONNEES.

CE MANUEL PEUT MONTRER DES CARACTERISTIQUES OPTIONNELLES ET NE PEUT PAS ETRE CONSIDERE COMME SPECIFICATION DE LA MACHINE.

CETTE MACHINE A ETE TESTEE, ET ELLE EST CONSIDEREE COMME FIABLE A CONDITION D'UNE BONNE UTILISATION. ASSUREZ-VOUS QUE VOTRE OPERATEUR EST QUALIFIE EN CE QUI CONCERNE L'UTILISATION DE LA MACHINE AINSI QUE SON ENTRETIEN.

---

## WICHTIG

TRAGEN SIE HIER DIE SERIENNUMMERN IHRER MASCHINE EIN UND GEBEN SIE DIESE IMMER AN, WENN SIE SICH AN UNS ODER IHREN HÄNDLER WENDEN. DAS IST BESONDERS BEI ERSATZTEILBESTELLUNGEN WICHTIG. VERGESSEN SIE NICHT, ALLE ZAHLEN UND BUCHSTABEN ZU NOTIEREN.

SERIENNUMMERN DER MASCHINE \_\_\_\_\_

DIE ANGABEN IN DIESEM HANDBUCH SIND BEI VERÖFFENTLICHUNG KORREKT. AUFGRUND DER KONSTANTEN WEITERENTWICKLUNG VON BOMFORD TURNER MASCHINEN SIND JEDOCHÄNDERUGDEN IN DER SPEZIFIKATION UNVERMEIDLICH. WENN DIE INFORMATION IN DIESEM HANDBUCH NICHT MIT IHRER MASCHINE ÜBEREINSTIMMEN, NEHMEN SIE BITTE KONTAKT MIT DER BOMFORD TURNER KUNDENDIENSTABTEILUNG AUF, DIE IHNEN GERNE DIE AKTUELLEN INFORMATION ZUKOMMEN LÄSST.

DAS HANDBUCH KANN SOWOHL BESCHREIBUNGEN FÜR DIE STANDARD AUSFÜHRUNG ALS AUCH FÜR ZUBEHÖR ENTHALTEN UND IST NICHT ALS MASCHINENSPEZIFIKATION ZU VERWENDET.

DIE MASCHINE IST GETESTET UND BEI SACHGEMÄSSEM BETRIEB ALS SICHER BEFUNDEN WORDEN. SORGEN SIE DAFÜR, DASS IHR BEDIENPERSONAL IN ANWENDUNG UND WARTUNG RICHTIG GESCHULT WIRD.

## INDEX

### GT 507 ARM MOWER

PLEASE ENSURE THE CORRECT PART NUMBER AND DESCRIPTION IS GIVEN  
WHEN ORDERING SPARE PARTS.

*For Machines with Serial Numbers commencing from .....*

#### DESCRIPTION

TRACTOR MOUNTINGS	72.148.01
MAINFRAME ASSEMBLY RH	77.411.02
TANK ASSEMBLY RH	77.428.02
FIRST ARM ASSEMBLY RH	77.437.02
SECOND ARM ASSEMBLY RH	77.438.02
COWL BRACKET & LINKAGE BELT RH	77.452.02
PTO/GEARBOX ASSEMBLY	76.467.01
PUMPS ASSEMBLY RH	76.474.06
PUMP CIRCUIT DSR	77.432.01
CONTROL VALVE ASSY	77.429.01
RAM CIRCUIT – FIRST	76.389.06
RAM CIRCUIT – SECOND RAM	76.468.04
RAM CIRCUIT – COWL	76.248.04
CABLE ASSY 4 LEVER	76.421.10
HOSE LAYOUT	76.472.07
DECALS – ENGINEERING	74.651.02
ARM FLOAT KIT	76.420.03

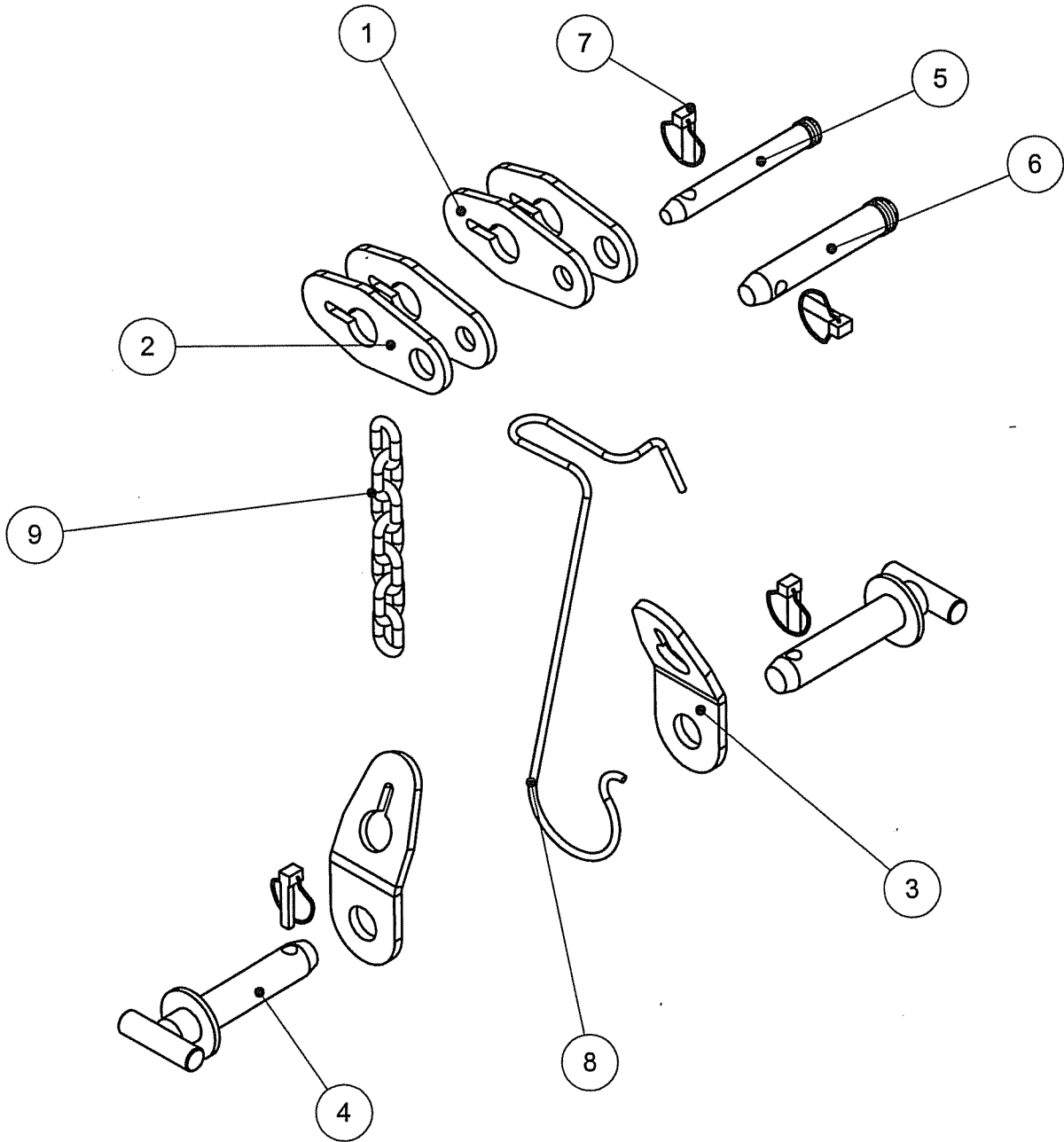
#### IMPORTANT

THIS MACHINE IS FOR VEGETATION CONTROL AND MUST NOT BE USED FOR ANY OTHER  
PURPOSE.

IT IS POTENTIALLY HAZARDOUS TO FIT OR USE ANY PARTS OTHER THAN GENUINE  
BOMFORD TURNER PARTS.

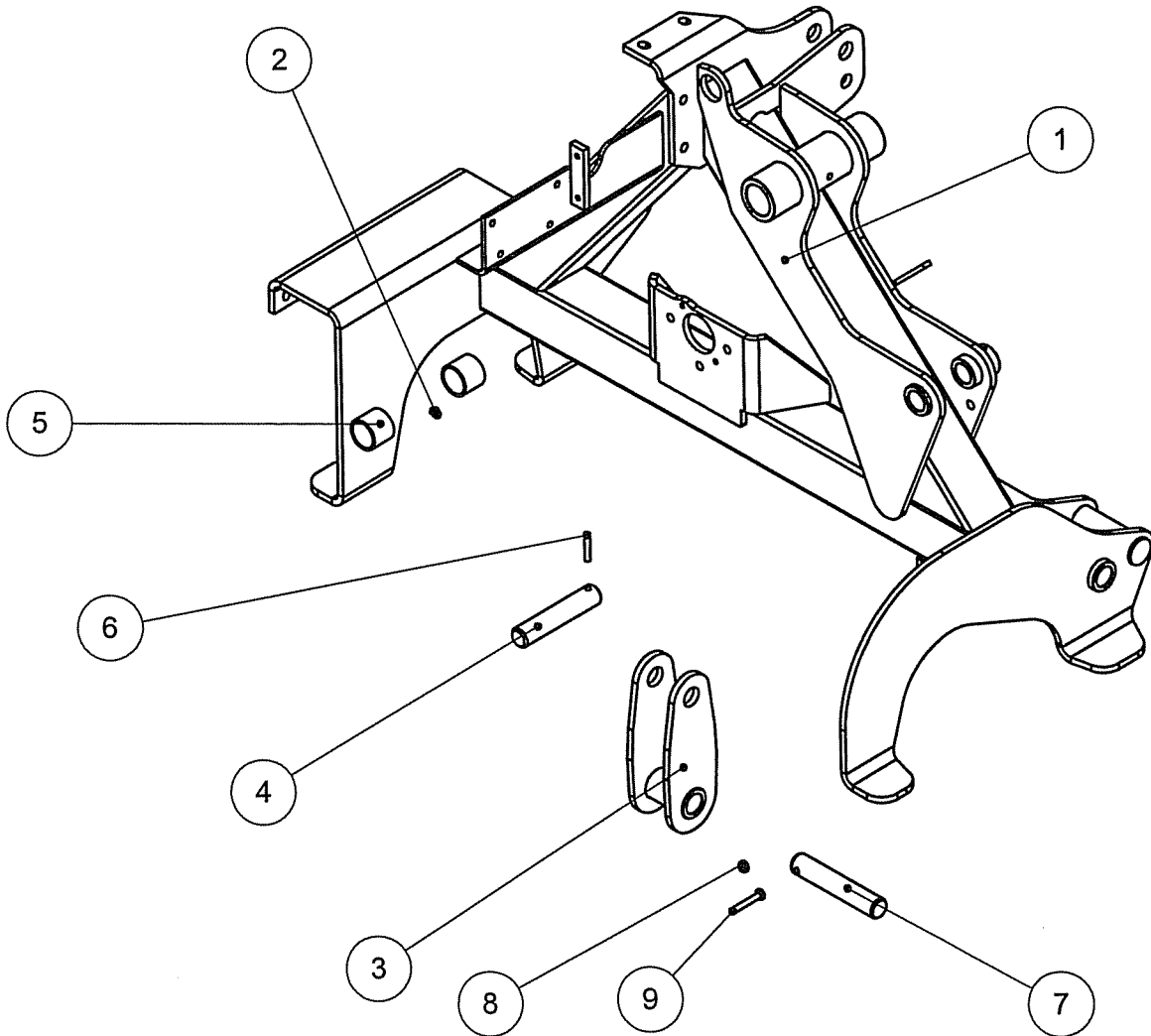
THE COMPANY DISCLAIMS ALL LIABILITY FOR THE CONSEQUENCES OF SUCH USE WHICH,  
IN ADDITION, VOIDS THE MACHINE WARRANTY.

TRACTOR MOUNTINGS - 72.148.01



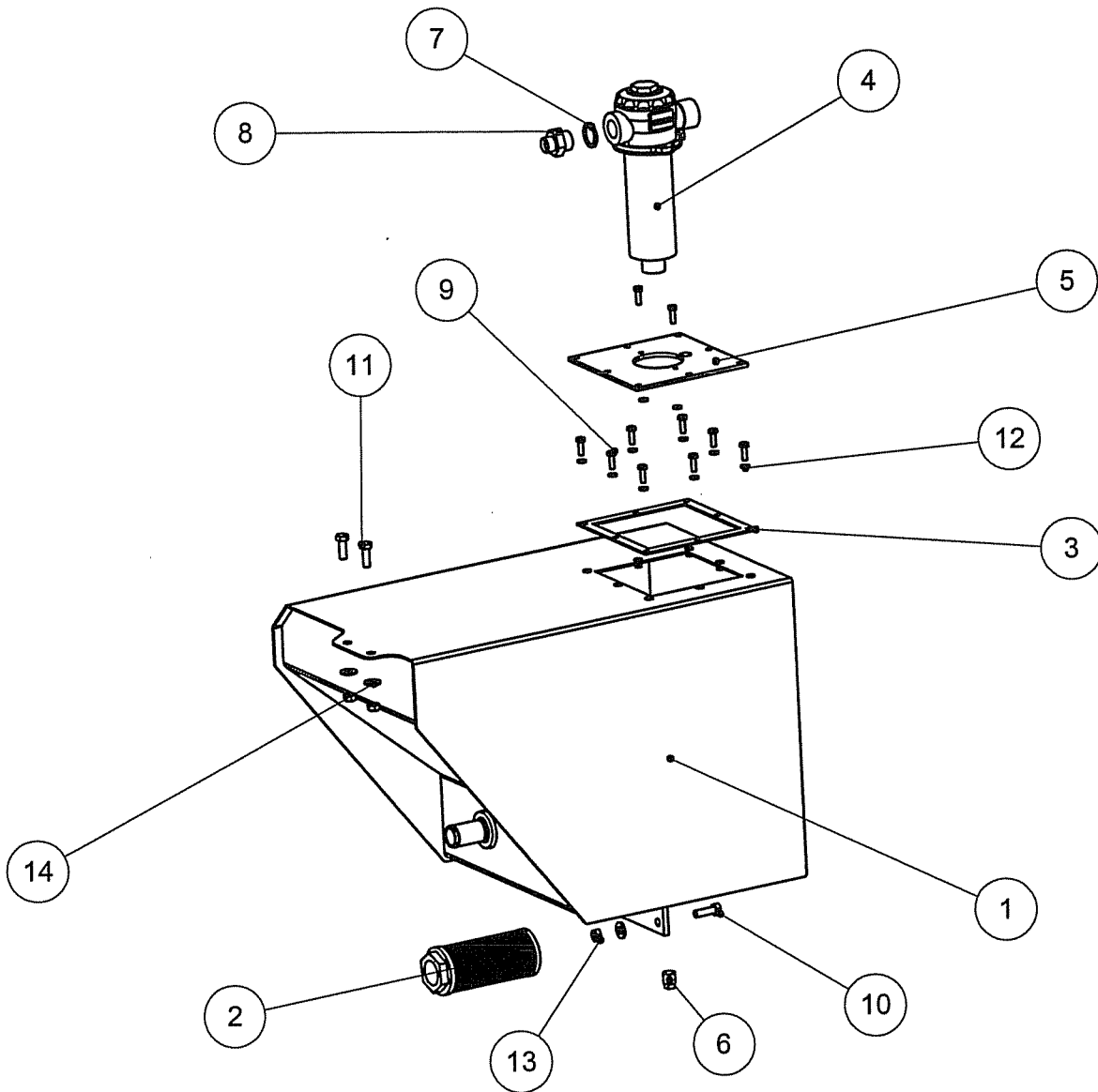
ITEM NO.	PART NUMBER	DESCRIPTION	QTY.
1	10.100.01	PLATE - STABILIZER - CAT1	2
2	09.999.01	PLATE - STABILIZER - CAT2	2
3	09.998.01	PLATE - STABILIZER	2
4	06.318.01	PIN 1.1/8" DIA x 128	2
5	03.874.01	PIN	1
6	03.873.01	PIN	1
7	00.372.01	LINCH PIN	4
8	21160.03	PTO HOOK	1
9	10.105.01	CHAIN 8DIA X 1800	1

MAINFRAME ASSEMBLY RH - 77.411.02



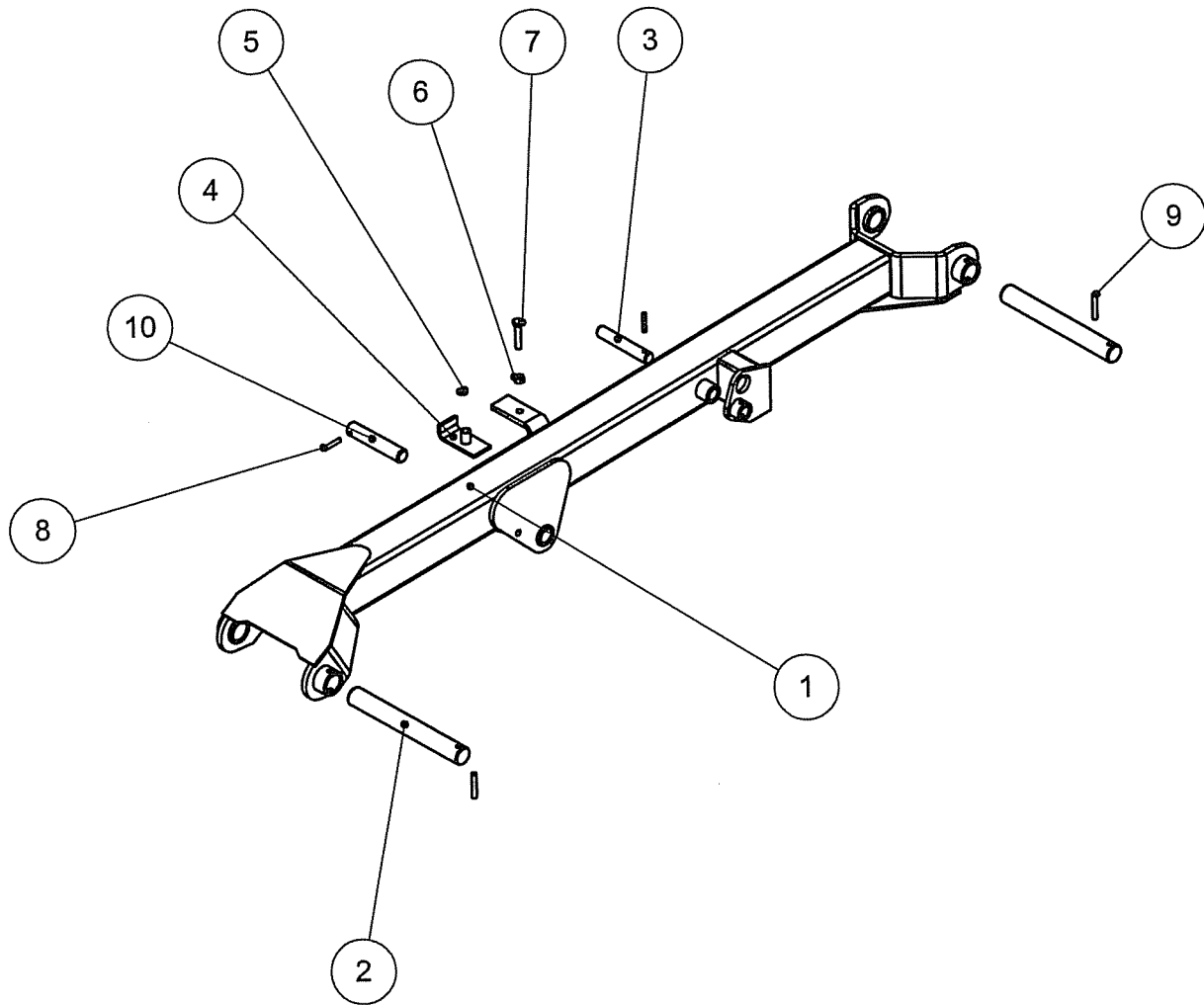
ITEM NO.	PART NUMBER	DESCRIPTION	QTY
1	47369.02	MAINFRAME RH	1
2	05.953.03	GREASE NIPPLE M10xStr	2
3	47421.01	LINK - BREAKOUT	1
4	03.654.69	PIN - 30 X 150	1
5	08.297.02	BUSH 47x40x40	2
6	05.201.07	TENSION PIN Ø8x45	1
7	03.654.78	PIN 30 DIA X 160	1
8	05.287.01	SELF-LOCKING NUT M8	1
9	05.291.06	BOLT M8x55	1

TANK ASSEMBLY RH - 77.428.02



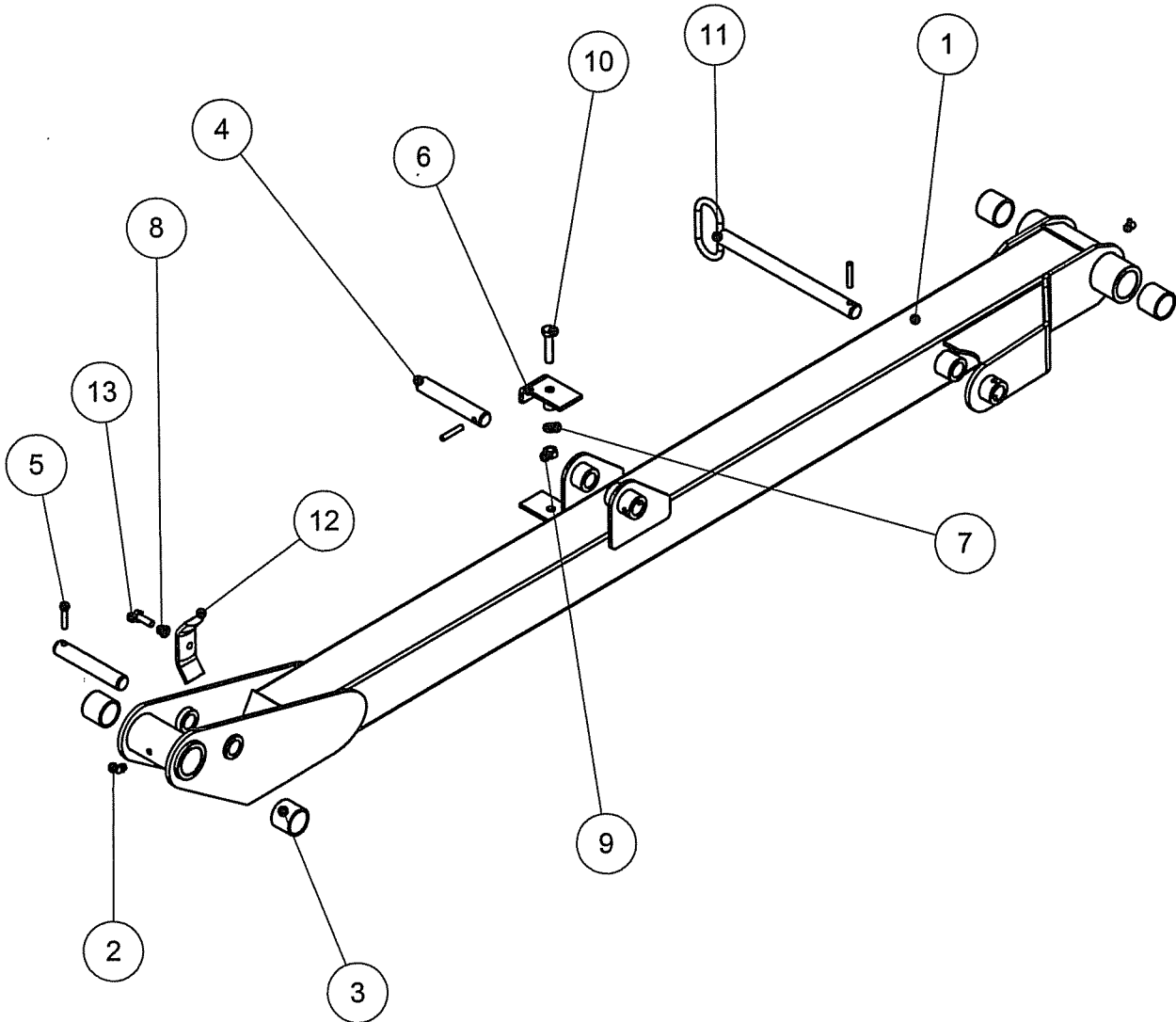
ITEM NO.	PART NUMBER	DESCRIPTION	QTY.
1	47414.02	TANK - OIL RH	1
2	8401047	STRAINER	1
3	08.605.02	GASKET	1
4	212.013	FILTER ASSY 100L	1
5	47420.01	PLATE - FILLER/FILTER	1
6	05.495.01	PLUG 1/2" BSPT	1
7	05.290.07	BONDED SEAL 1" BSP	1
8	05.373.01	ADAPTOR 3/4"BSPx1"BSP	1
9	05.264.02	SETSCREW M8x25	10
10	05.264.25	SETSCREW M12x40	3
11	05.264.24	SETSCREW M12x35	2
12	05.282.01	SPRING WASHER M8	10
13	05.287.03	SELF-LOCKING NUT M12	5
14	05.281.03	FLAT WASHER M12	5

FIRST ARM ASSEMBLY RH - 77.437.02



ITEM NO.	PART NUMBER	DESCRIPTION	QTY.
1	47464.02	ARM - FIRST RH	1
2	43292.42	PIN 40 DIA X 316	2
3	Default	PIN 25 DIA X 145	1
4	47508.01	CLAMP - HOSE	1
5	05.282.03	SPRING WASHER M12	1
6	05.286.03	NUT M12	1
7	05.291.27	BOLT M12x60	1
8	05.201.07	TENSION PIN Ø8x45	2
9	05.201.10	TENSION PIN 10X60	2
10	03.654.69	PIN - 30 X 150	1

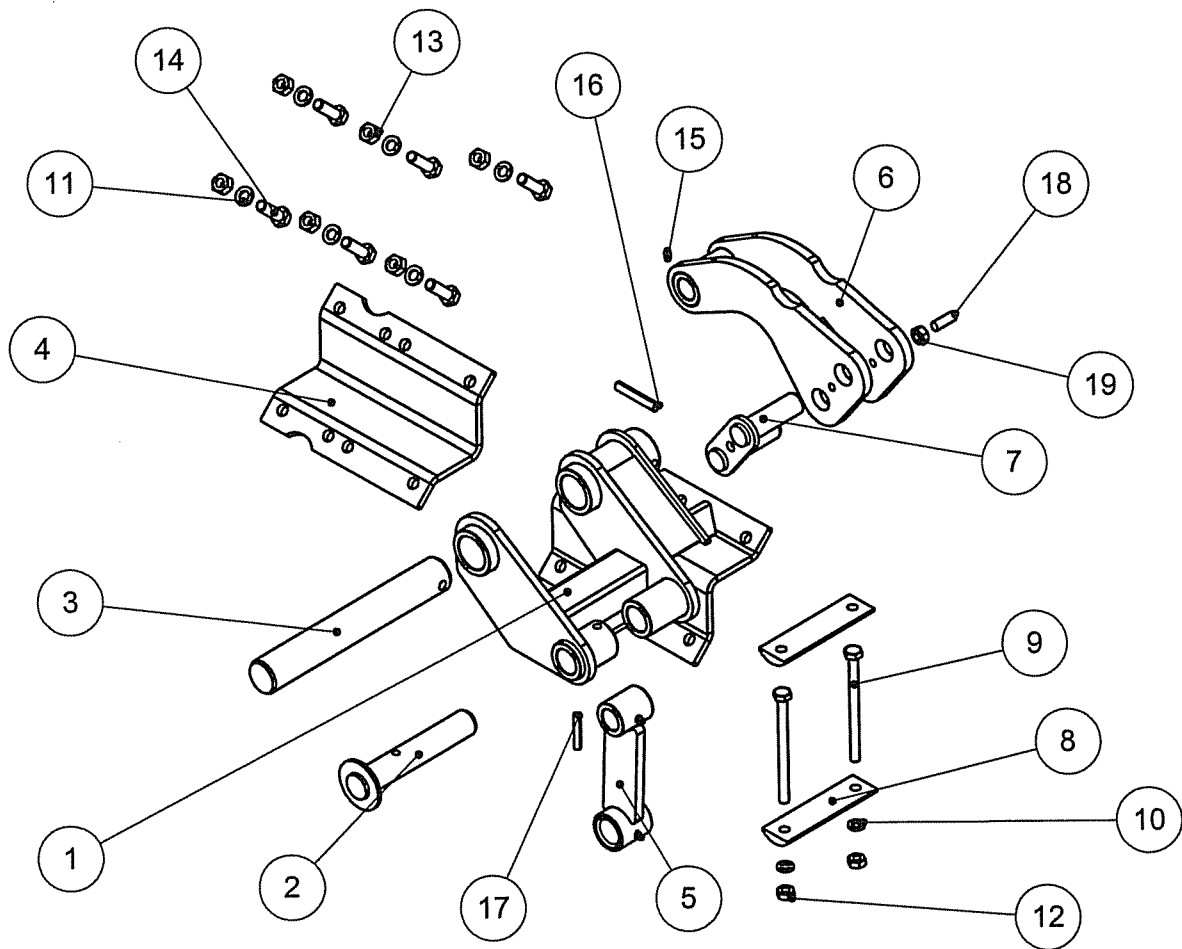
SECOND ARM ASSEMBLY RH - 77.438.02



ITEM NO.	PART NUMBER	DESCRIPTION	QTY.
1	47463.02	ARM - SECOND RH	1
2	05.953.04	GREASE NIPPLE M10x90 deg	2
3	08.297.02	BUSH 47x40x40	4
4	Default	PIN 25 DIA X 145	2
5	05.201.07	TENSION PIN Ø8x45	3
6	47508.02	CLAMP - HOSE	1
7	05.282.03	SPRING WASHER M12	1
8	05.282.02	SPRING WASHER M10	1
9	05.286.03	NUT M12	1
10	05.291.26	BOLT M12x55	1
11	47510.01	PIN 25 DIA - HOSE	1
12	42546.01	CLAMP - PLATE	1
13	05.264.13	SETSCREW M10x30	1

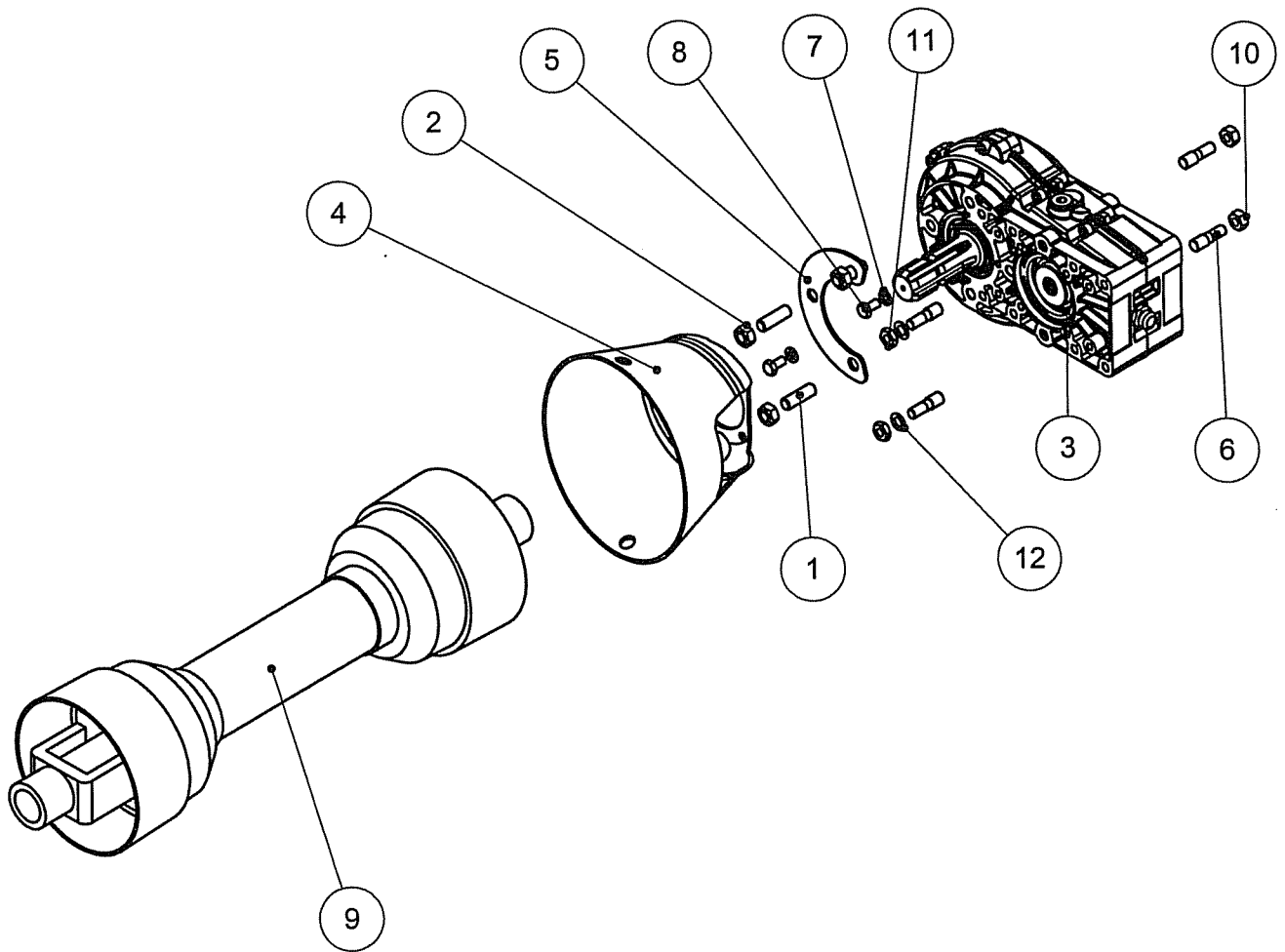


COWL BRACKET & LINKAGE BELT RH - 77.452.02



ITEM NO.	PART NUMBER	DESCRIPTION	QTY.
1	47507.02	BRACKET - COWL RH	1
2	03.654.97	PIN 30 DIA X 166	1
3	03.656.41	PIN Ø40 -278 LONG	1
4	07.947.01	PLATE	1
5	03.846.01	LINK - COWL	1
6	47468.01	LINK - RAM	1
7	47472.01	PIN DOUBLE 25 DIA	1
8	43375.01	CLAMP - HOSE	2
9	05.292.17	BOLT M10x140	2
10	05.282.02	SPRING WASHER M10	2
11	05.282.03	SPRING WASHER M12	6
12	05.286.02	NUT M10	2
13	05.286.03	NUT M12	6
14	05.264.25	SETSCREW M12x40	6
15	05.953.01	GREASE NIPPLE M6xStr	3
16	05.201.10	TENSION PIN 10X60	1
17	05.201.07	TENSION PIN Ø8x45	1
18	04.175.01	STUD M10 X 29	1
19	05.968.02	SELF-LOCKING NUT M10	1

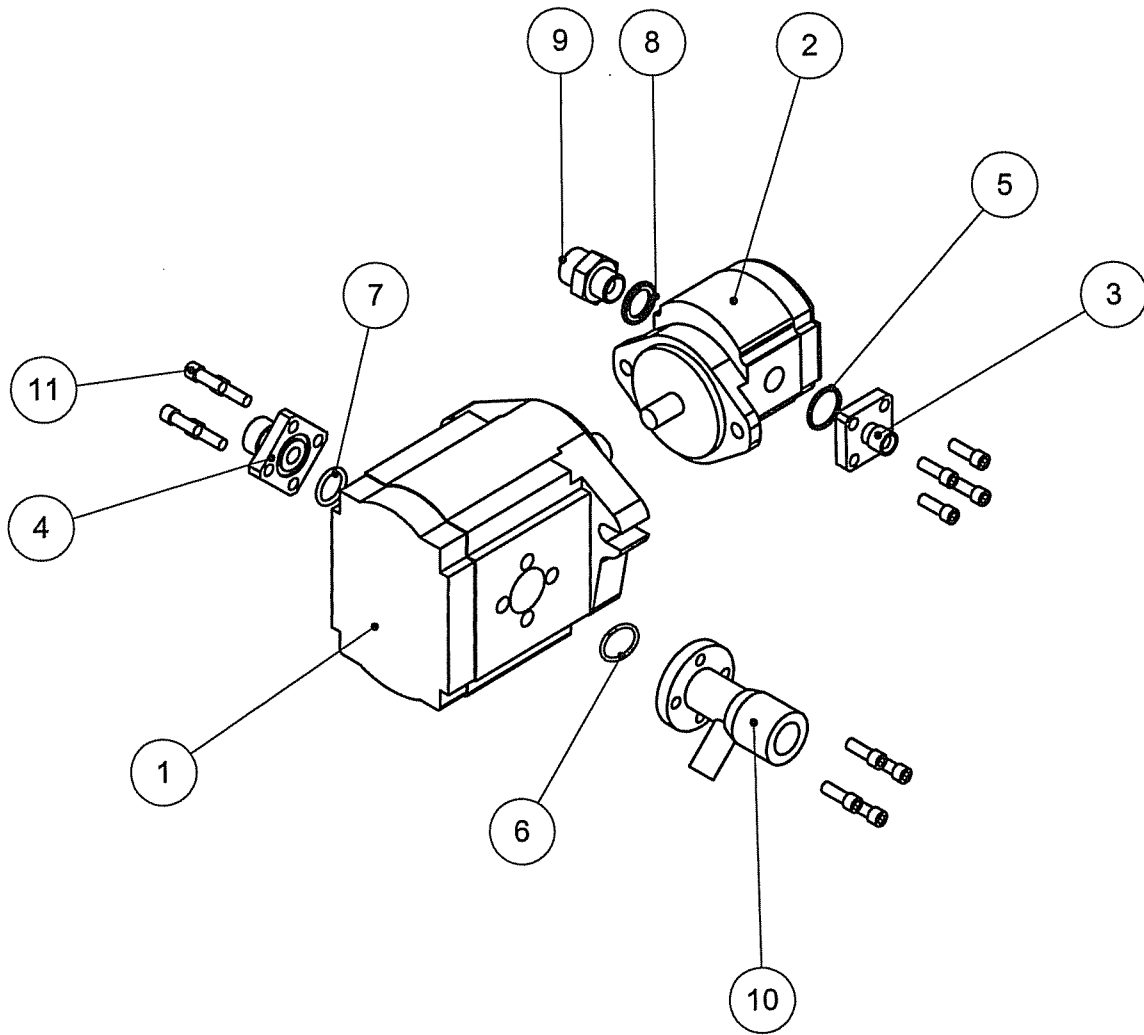
PTO/GEARBOX ASSEMBLY - 76.467.01



\* CROSS JOURNAL SET PART NO. - 41623.31  
 COMPLETE SHIELD PART NO. - 41623.33

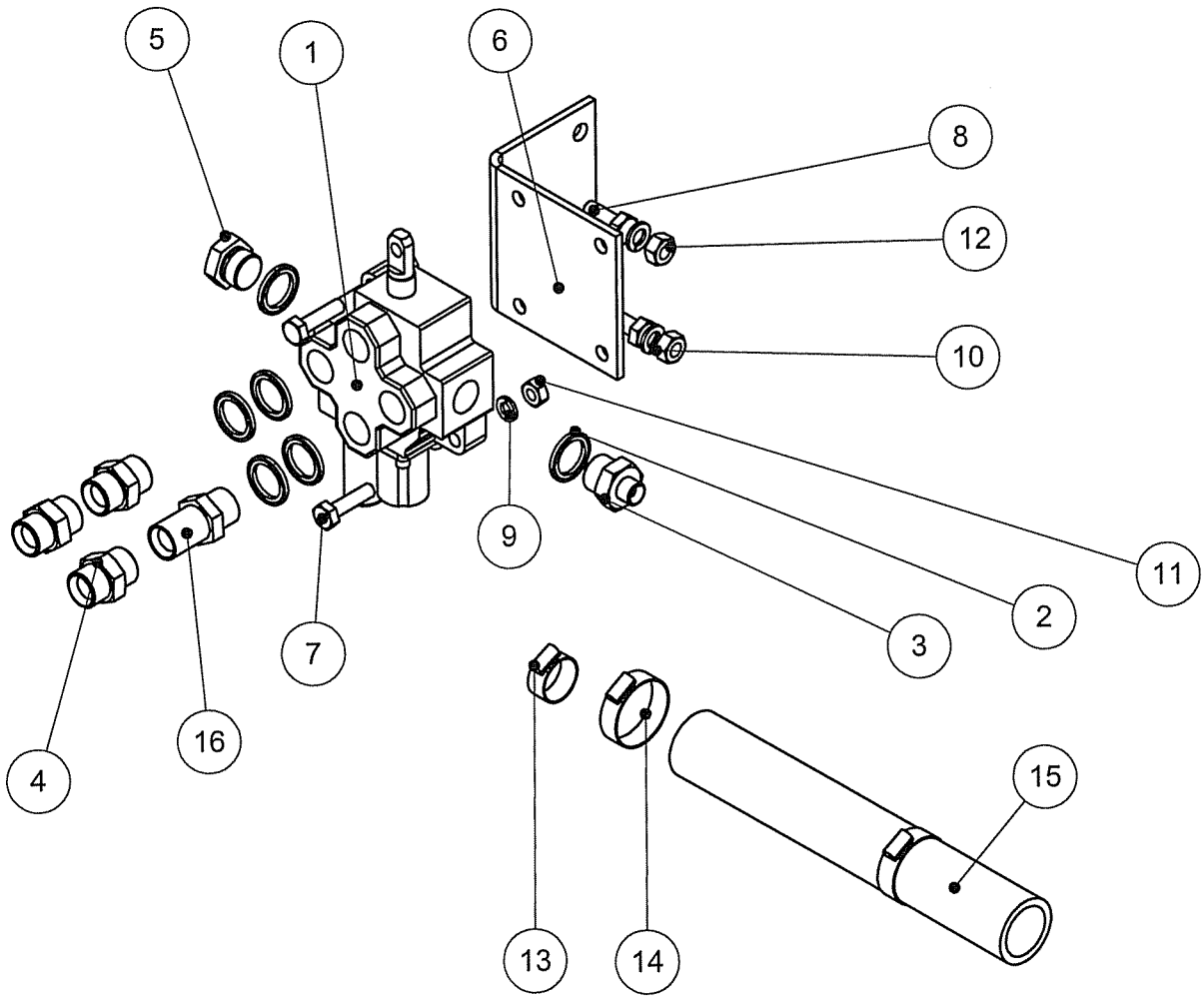
ITEM NO.	PART NUMBER	DESCRIPTION	QTY.
1	04.174.01	M12 x 38 STUD	3
2	05.968.03	SELF-LOCKING NUT M12	3
3	47497.01a	MP22 70 LITRE GBOX	1
4	08.548.04	PTO PLASTIC CUP GUARD	1
5	46707.17	SPACER PLATE	1
6	47591.01	SPECIAL STUD	4
7	05.282.01	SPRING WASHER M8	2
8	05.839.03	SETSCREW M8X16	2
9	41623.02	PTO SHAFT ASSY 610MM C/C	1
10	05.287.02	SELF-LOCKING NUT M10	2
11	9133005	NUT M10	2
12	05.283.02	SHAKEPROOF WASHER 10M	2

PUMPS ASSEMBLY RH- 76.474.06



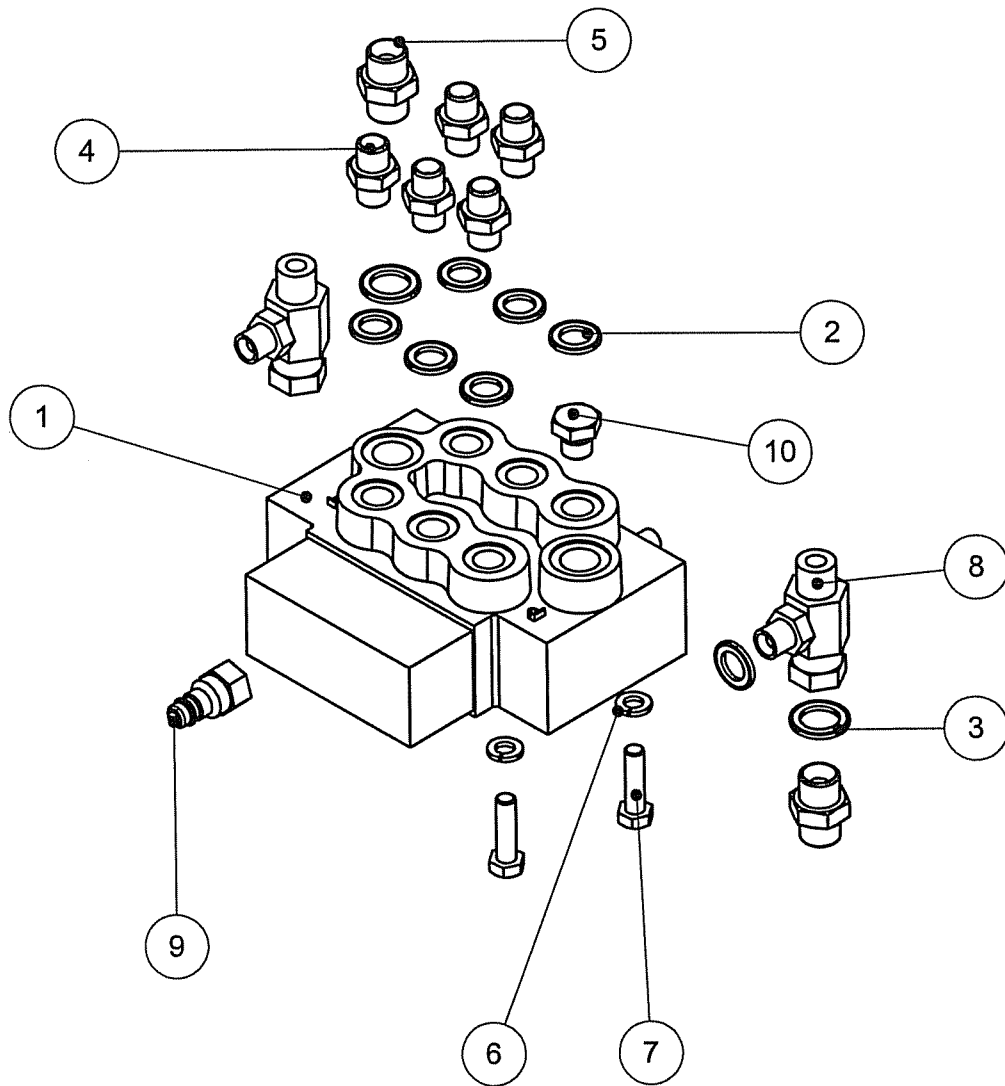
ITEM NO.	PART NUMBER	DESCRIPTION	QTY.
1	05.650.05	PUMP 333.9111.244	1
2	09.537.21	PUMP GEAR 1PX070	1
3	09.745.01	ADAPTOR FLANGE 3/8"	1
4	03.864.01	03.864.01	1
5	30.210.92	O RING 200 121 4490	1
6	05.656.01	O RING 28 I/D X 2.5	1
7	05.656.03	O RING 25 I/D X 3.53	1
8	05.290.05	BONDED SEAL 1/2" BSP	1
9	05.376.01	ADAPTOR 1/2"BSPx3/4"BSP	1
10	06.251.01	ADAPTER INLET	1
11	05.657.01	SOCKET CAPSCREW 5/16" X 7/8	12

PUMP CIRCUIT DSR - 77.432.01



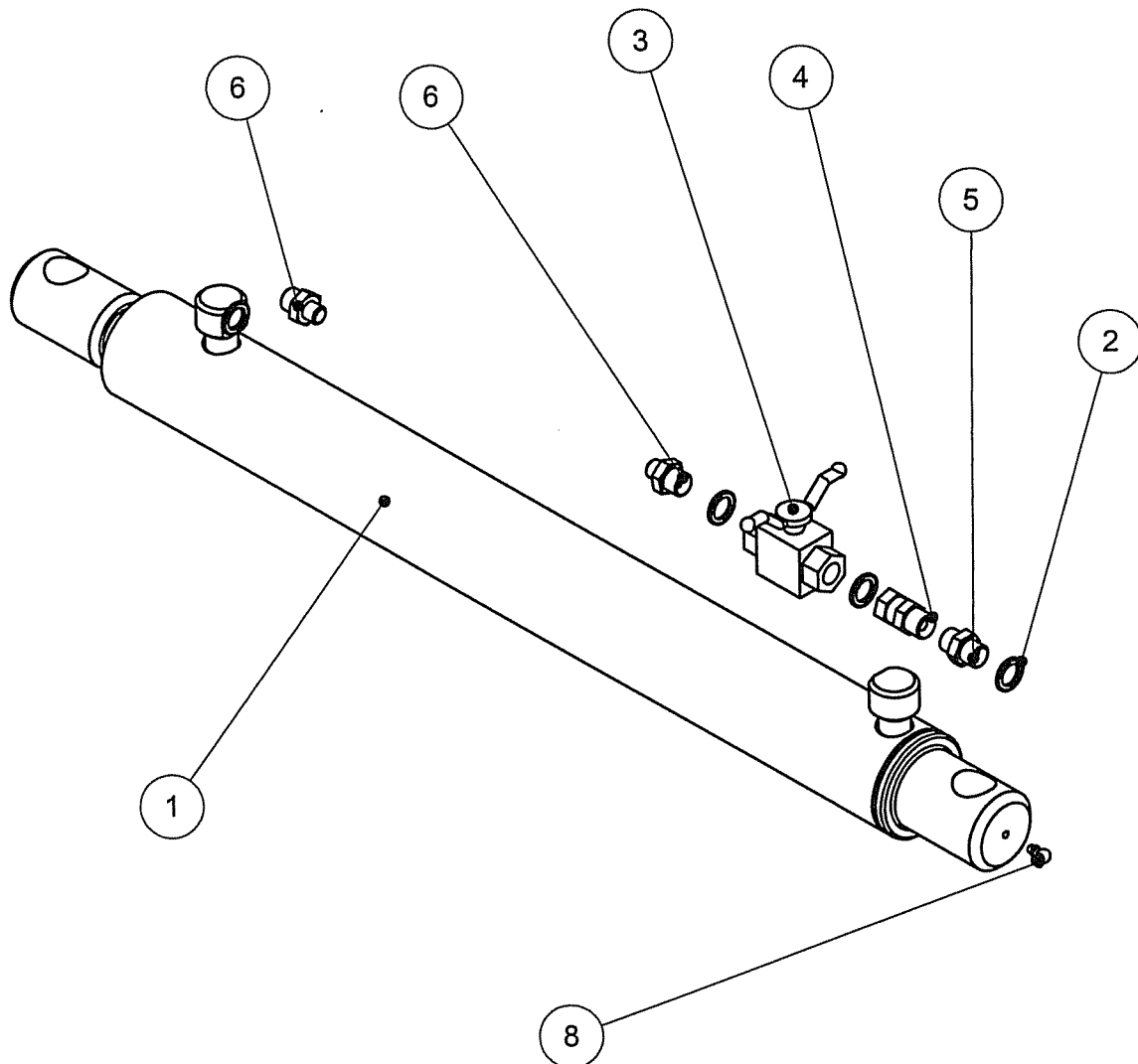
ITEM NO.	PART NUMBER	DESCRIPTION	QTY.
1	8125385	RCV 207BAR LH	1
2	05.290.06	BONDED SEAL 3/4" BSP	6
3	05.128.01	ADAPTOR 3/8"BSPx3/4"BSP	1
4	05.377.01	ADAPTOR 3/4"BSPx3/4"BSP	3
5	05.313.01	PLUG 3/4" BSP	1
6	47422.01	PLATE - DSR MOUNTING	1
7	05.264.15	SETSCREW M10x40	2
8	05.264.23	SETSCREW M12x30	2
9	05.282.02	SPRING WASHER M10	2
10	05.282.03	SPRING WASHER M12	2
11	05.286.02	NUT M10	2
12	05.286.03	NUT M12	2
13	05.863.03	JUBILEE CLIP 20-32 DIA	1
14	05.863.02	JUBILEE CLIP 2"DIA	2
15	10.024.21	HOSE 1.1/2" X 320 PLAIN	1
16	08.128.23	ADAPTOR BULKHEAD 3/4"BSP	1

CONTROL VALVE ASSY - 77.429.01



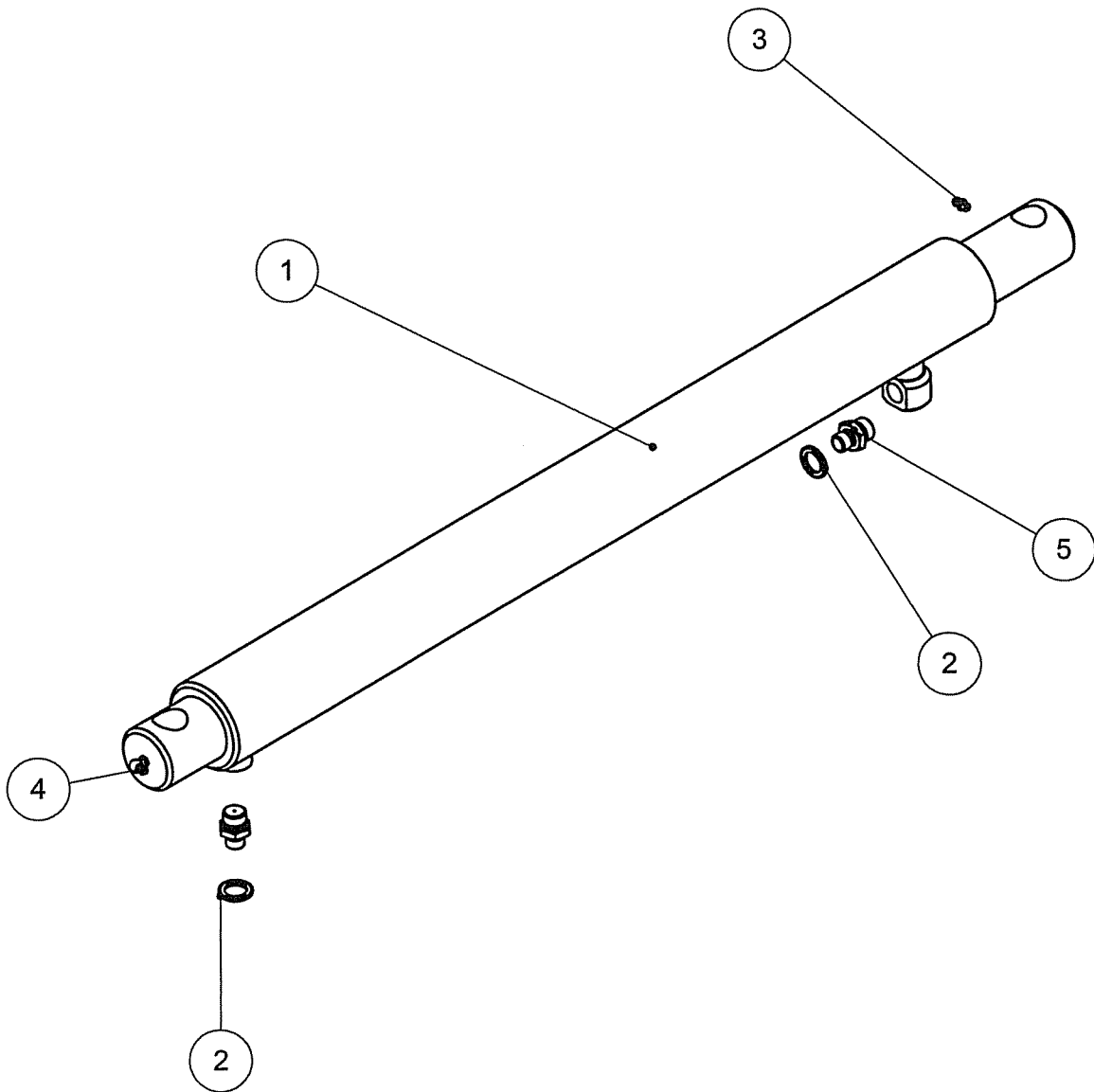
ITEM NO.	PART NUMBER	DESCRIPTION	QTY.
1	212.008	3 PORT SPOOL VALVE	1
2	05.290.02	BONDED SEAL 1/4" BSP	7
3	05.290.04	BONDED SEAL 3/8" BSP	2
4	05.129.01	ADAPTOR 1/4"BSPx1/4"BSP	5
5	05.124.01	ADAPTOR 3/8"BSPx3/8"BSP	2
6	05.282.01	SPRING WASHER M8	3
7	05.264.03	SETSCREW M8x30	3
8	04.056.16	TEE ADAPTOR FMM	2
9	05.146.12	COUPLING - QUIK 1/4	1
10	05.481.01	PLUG 1/4"BSP	1

RAM CIRCUIT - FIRST - 76.389.06



ITEM NO.	PART NUMBER	DESCRIPTION	QTY.
1	09.928.02	RAM ASSY 70 BORE X 615 STK	1
2	05.290.04	BONDED SEAL 3/8" BSP	4
3	08.200.01	VALVE - ISOLATING	1
4	02.714.01	ADAPTOR - SWIVEL	1
5	05.124.01	ADAPTOR 3/8"BSPx3/8"BSP	1
6	01.099.01	ADAPTOR 1/4"BSPx3/8"BSP	2
7	05.953.01	GREASE NIPPLE M6xStr	1
8	05.953.05	GREASE NIPPLE M6x90 deg	1

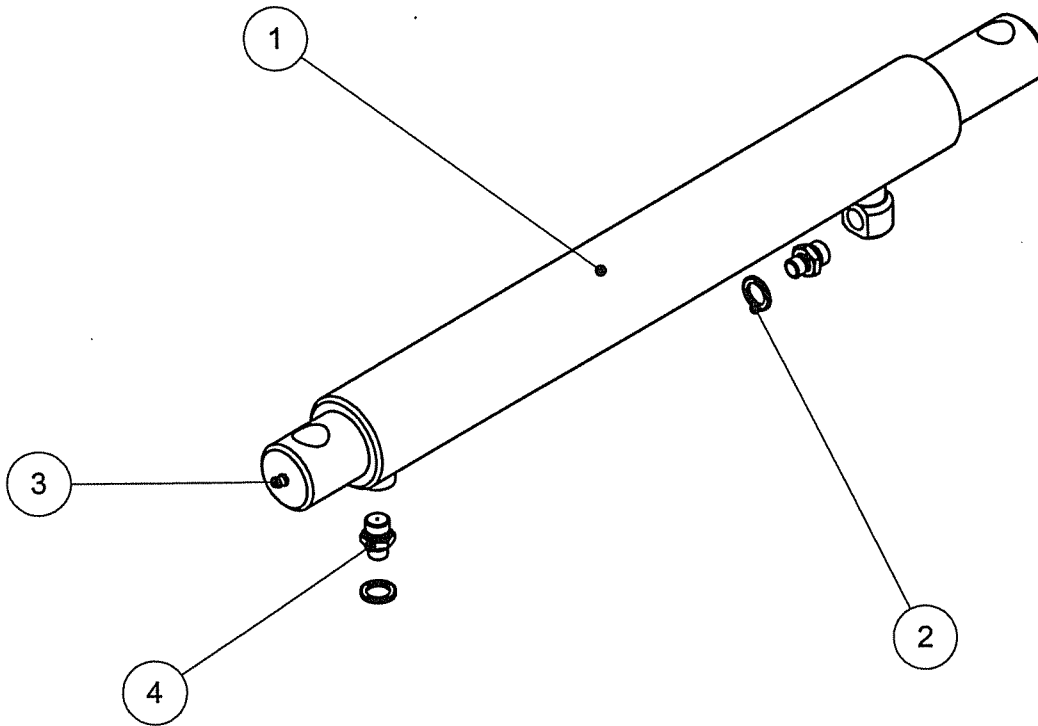
RAM CIRCUIT - SECOND RAM - 76.468.04



\* SEAL KIT PART NO. - 0415613

ITEM NO.	PART NUMBER	DESCRIPTION	QTY.
1	04.156.45	RAM ASSY D/A 60 BORE X 645MM	1
2	05.290.04	BONDED SEAL 3/8" BSP	2
3	05.953.01	GREASE NIPPLE M6xStr	1
4	05.953.05	GREASE NIPPLE M6x90 deg	1
5	8130066	RESTRICTOR 1/4" x 3/8" BSP 1.15 M	2

RAM CIRCUIT - COWL - 76.248.04

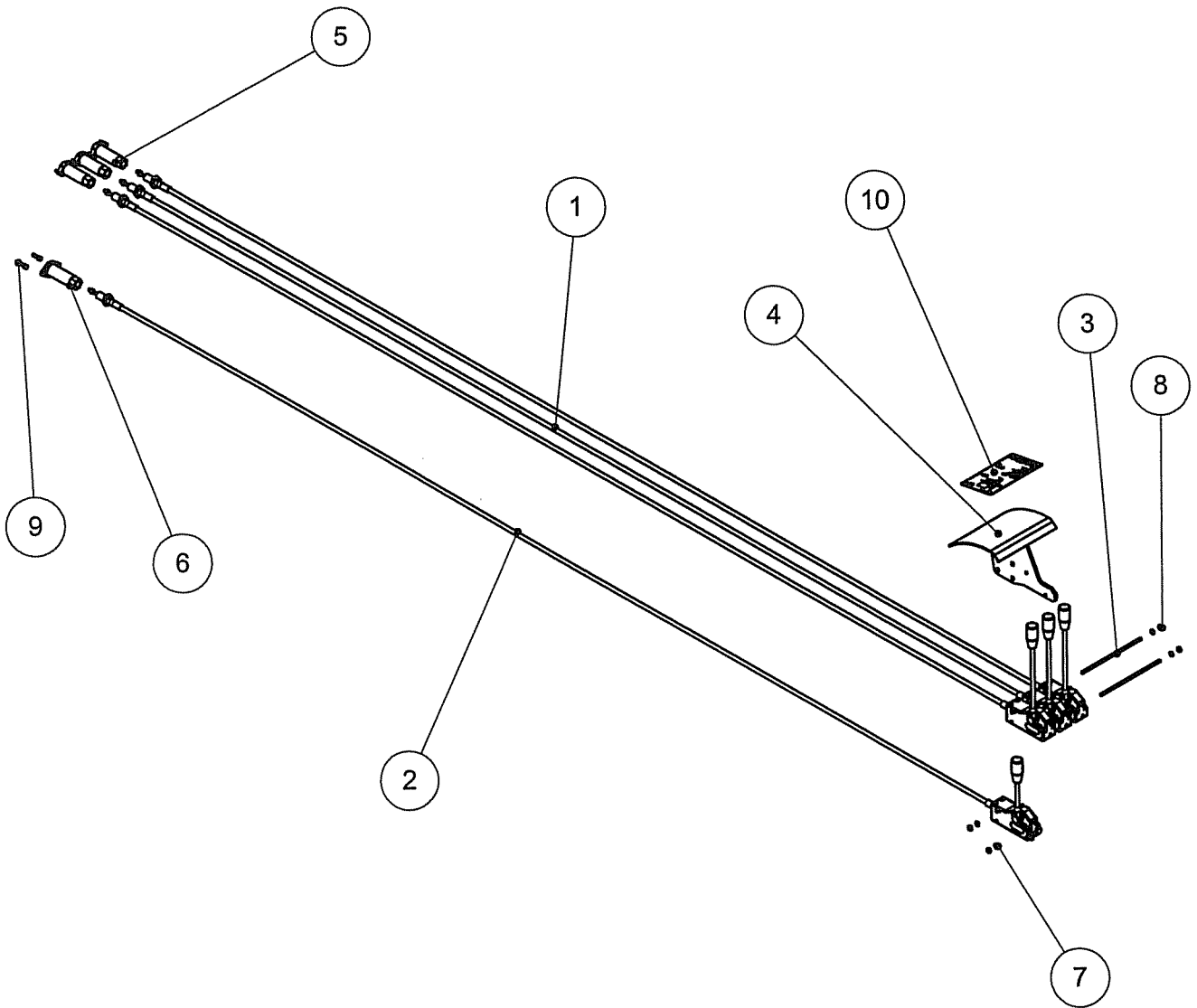


\* SEAL KIT NO. - 0415613

ITEM NO.	PART NUMBER	DESCRIPTION	QTY.
1	04.156.24	RAM ASSY 60 BORE X 430 STK	1
2	05.290.04	BONDED SEAL 3/8" BSP	2
3	05.953.01	GREASE NIPPLE M6xStr	2
4	8130066	RESTRICTOR 1/4" x 3/8" BSP 1.15 M	2



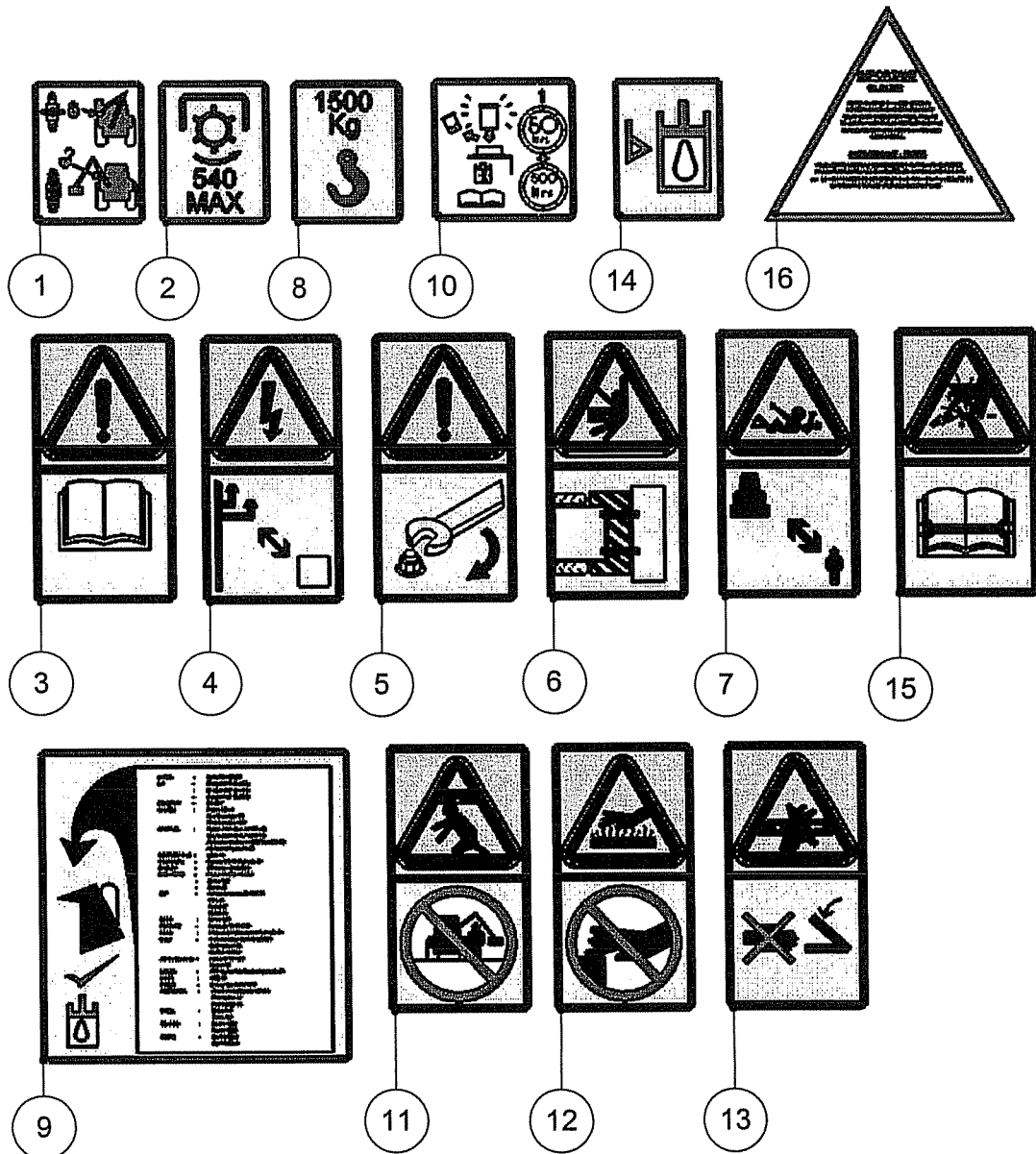
CABLE ASSY 4 LEVER - 76.421.10



ITEM NO.	PART NUMBER	DESCRIPTION	QTY.
1	47531.01	3.0M CABLE STD BLK KNOB	3
2	47531.03	INDEMAR CABLE ASSEMBLIES	1
3	04.282.70	STUD M6 X 191	2
4	42256.05	ARM - REST 4 LEVER	1
5	47532.01	INDEMAR CABLE FIXING KIT FOR 080M VALVE	3
6	47539.01	INDEMAR SD14 CABLE FIXING KIT	1
7	05.282.07	SPRING WASHER M6	4
8	05.286.10	NUT M6	4
9	9343033	M6 X 16 SOCKET HEAD	2
10	09.916.33	DECAL - CABLE CONTROL	1

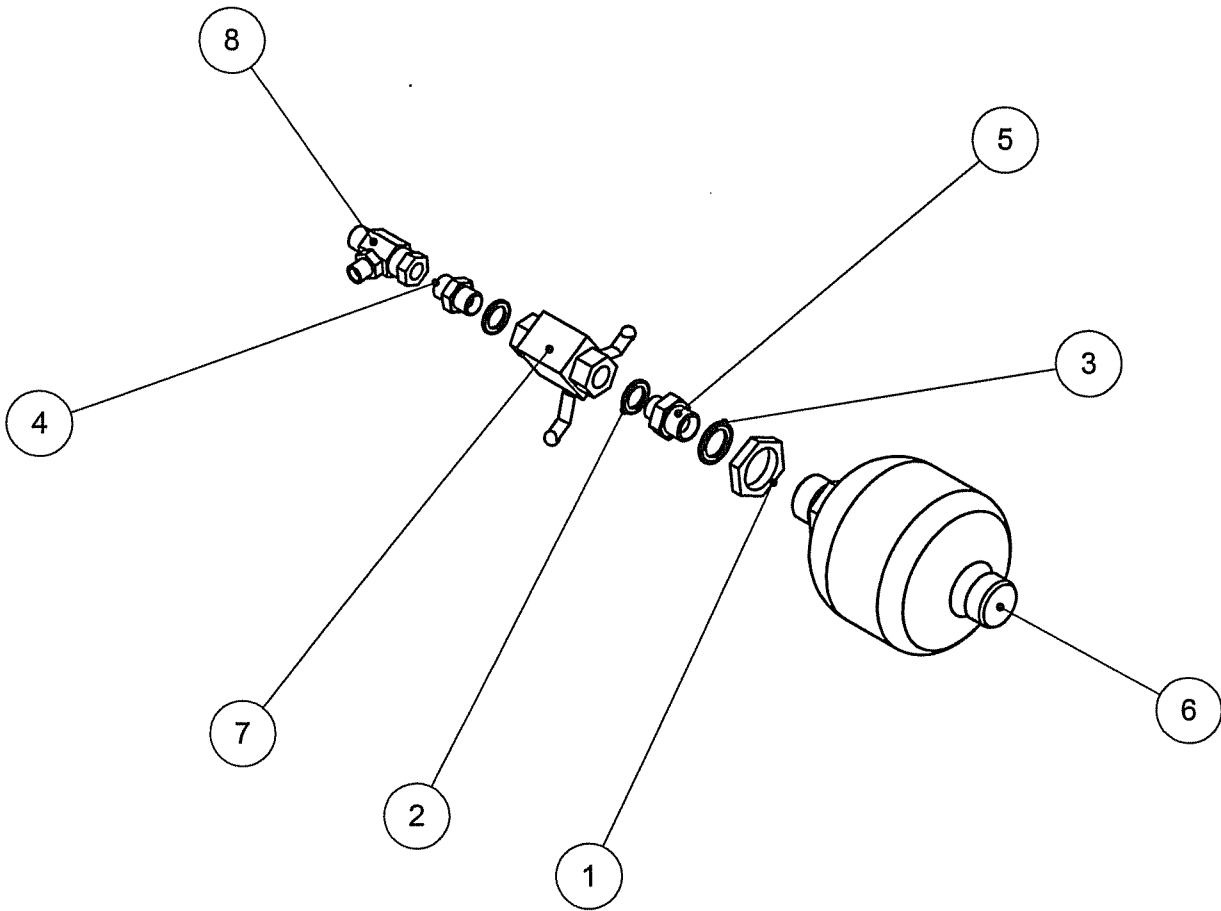


DECALS - ENGINEERING - 74.651.02



ITEM NO.	PART NUMBER	DESCRIPTION	QTY.
1	08.632.01	DECAL - TRANSPORT	1
2	09.811.04	DECAL - 540 MAX ACW	1
3	09.821.01	DECAL - READ INSTRUCTIONS	1
4	09.821.02	DECAL - STAY CLEAR O	1
5	09.821.10	CECAL - KEEP NUTS TIGHT	1
6	09.821.16	DECAL - KEEP OUT ZONE	1
7	09.821.20	DECAL - SHAFT ENTANGLEMENT	1
8	09.843.06	DECAL - LIFT POINT 1500 KG	1
9	09.845.01	DECAL - APPROVED OILS	1
10	09.846.02	DECAL - OIL FILTER CHANGE	1
11	09.821.03	DECAL - DON'T STAND	1
12	09.821.09	DECAL - HOT SURFACE	1
13	09.821.23	DECAL - PINCH POINT	1
14	09.844.01	DECAL - OIL LEVEL	1
15	09.821.07	DECAL - RESIDUAL PRE	1
16	09.030.01	DECAL - OIL FILTER	1

ARM FLOAT KIT - 76.420.03



ITEM NO.	PART NUMBER	DESCRIPTION	QTY.
1	8126035	NUT	1
2	05.290.04	BONDED SEAL 3/8" BSP	2
3	05.290.05	BONDED SEAL 1/2" BSP	1
4	05.124.01	ADAPTOR 3/8"BSPx3/8"BSP	1
5	05.123.01	ADAPTOR 3/8"BSPx1/2"BSP	1
6	41451.02	ACCUMULATOR - 0.7LT (30 BAR)	1
7	08.200.01	VALVE - ISOLATING	1
8	04.056.16	TEE ADAPTOR FMM	1