



**SELF-PROPELLED REMOTE  
CONTROLLED TOOL CARRIER WITH  
ROTOR CUTTER**

**FLAILBOT 40 COMPACT  
(93.100.30)**

**PARTS MANUAL PM 758**

BOMFORD TURNER LTD  
Station Road, Salford Priors  
Near Evesham, Worcestershire, WR11 8SW  
Tel. 01789 773383 Fax. 01789 773238  
Online: [www.bomford-turner.com](http://www.bomford-turner.com)  
Email: [info@bomford-turner.com](mailto:info@bomford-turner.com)

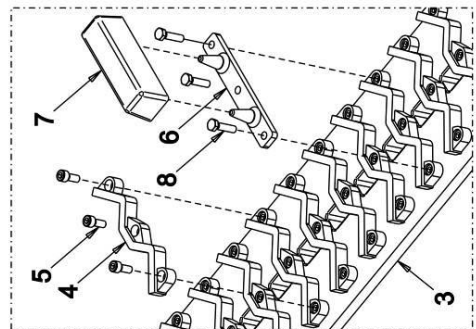
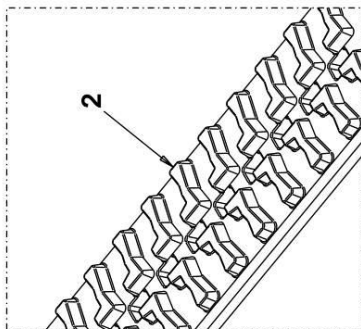
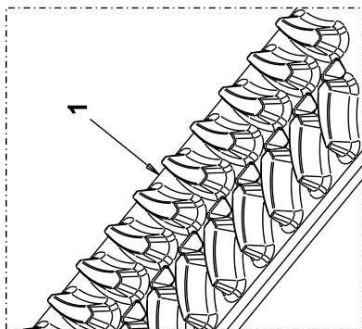
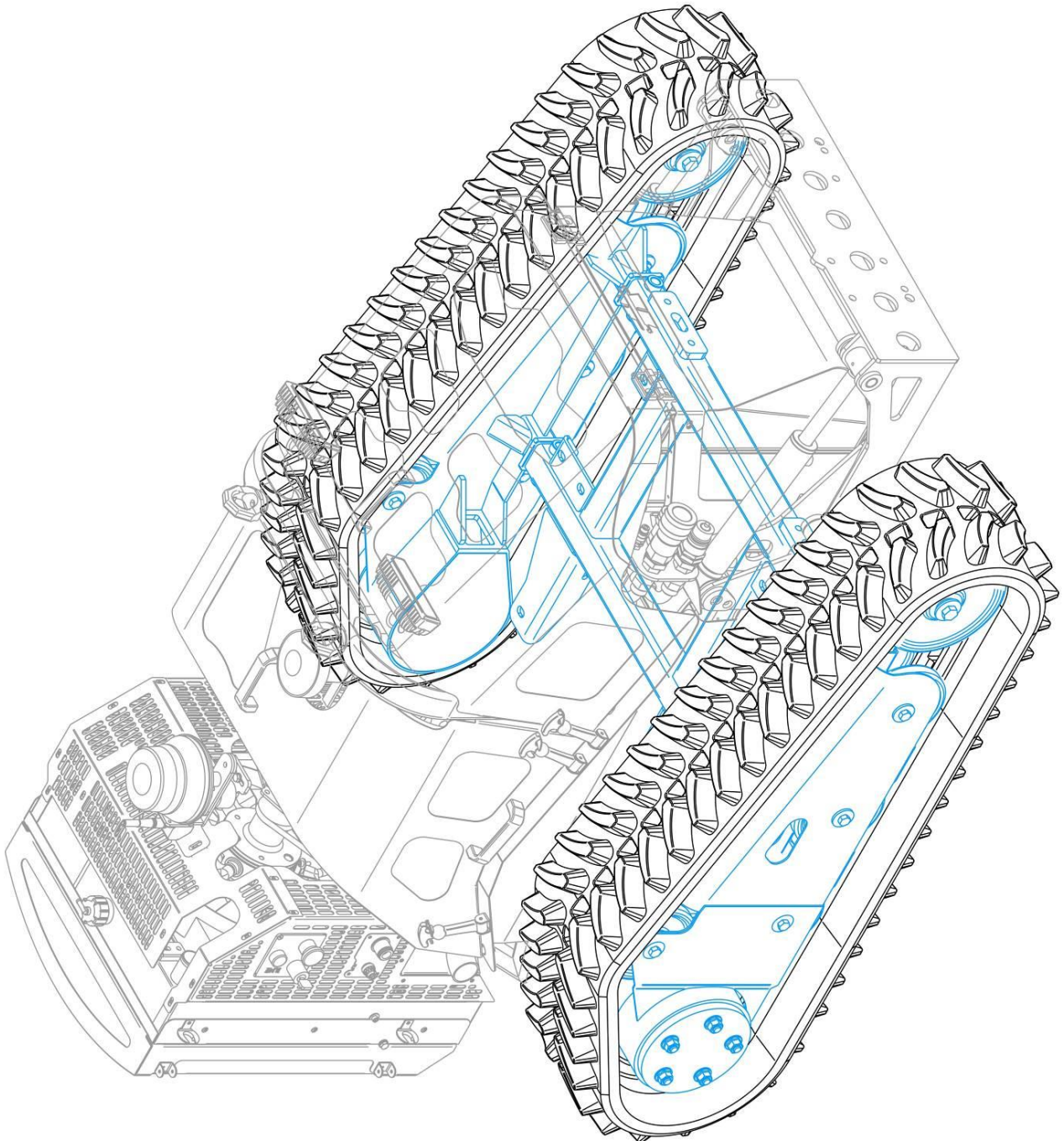


**Page intentionally blank**

## Contents:

1.	Crawler Track frame	page 4
2.	Extendable Crawler track frame	page 6
3.	Extendable side members	page 8
4.	Discharges and drainages	page 10
5.	Auxiliaries and Services	page 14
6.	Track tensioner H. system	page 16
7.	Tracks and Tool H. system	page 18
8.	Lifter with H. system	page 20
9.	Base frame with covers	page 22
10.	Oil and fuel tanks	page 26
11.	Flange – pump assembly	page 28
12.	Engine accessories	page 30
13.	Heat exchanger and oil sump	page 34
14.	Engine and accessories	page 36
15.	Front cover	page 38
16.	Center cover	page 40
17.	Rear cover	page 42
18.	Heat exchanger cover	page 44
19.	Electrical system	page 46
20.	Electrical harness	page 48
21.	Remote control and accessories	page 50
22.	Head hydraulic hoses	page 52

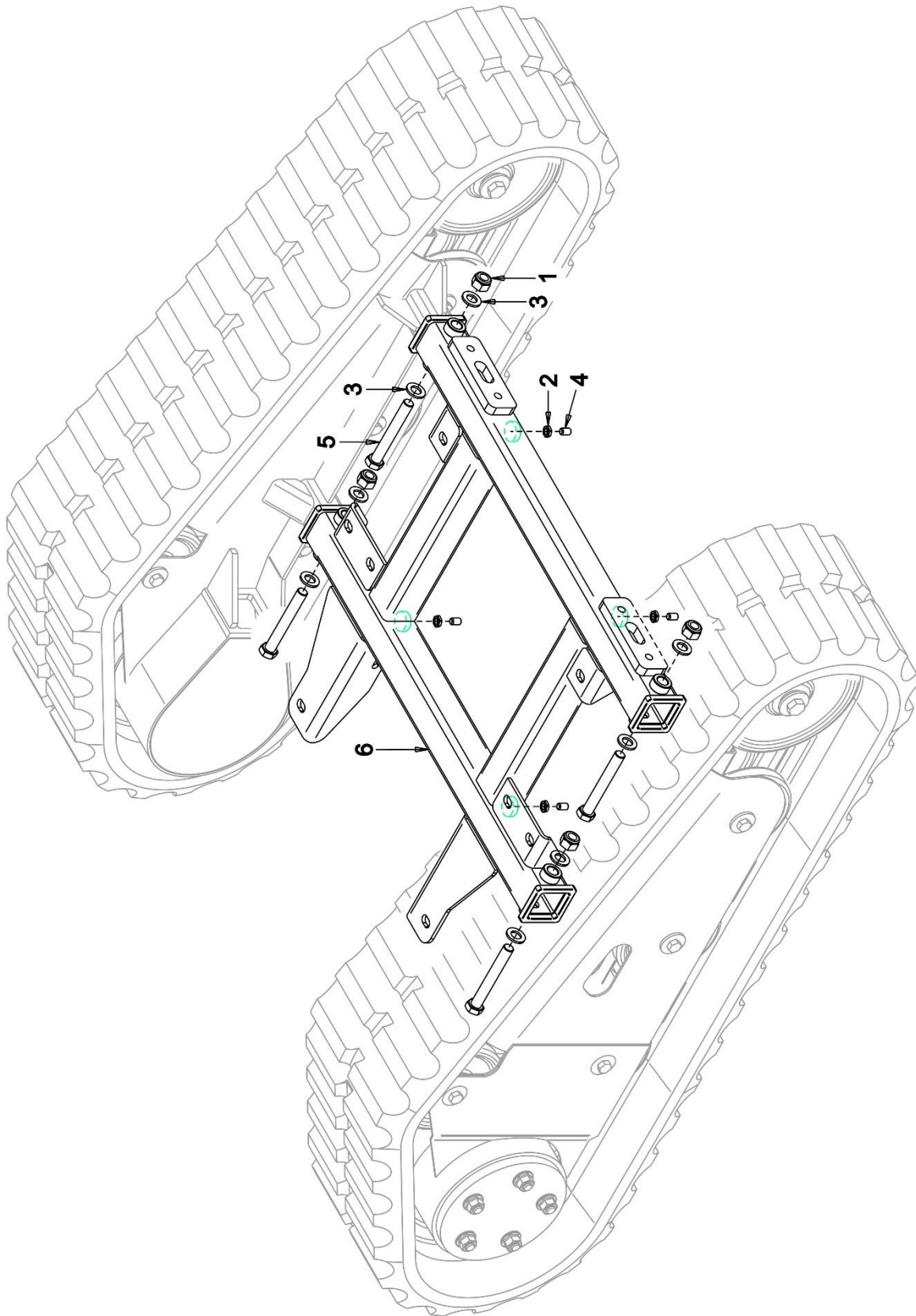
## 1.0 Crawler Track frame



**1.0 Crawler Track frame**

<b>N°</b>	<b>Description</b>	<b>BT Item No.</b>	<b>Qty</b>
1	RUBBER TRACK	49177.30	2
2	RUBBER TRACK	49177.31	2
3	RUBBER TRACK	49177.32	2
4	STEEL INSERT	49172.18	88
5	ALLEN SCREW	49171.59	264
6	STEEL INSERT WITH PINS	49174.51	44
7	PIN PROTECTION	49174.52	44
8	SCREW	49171.75	132

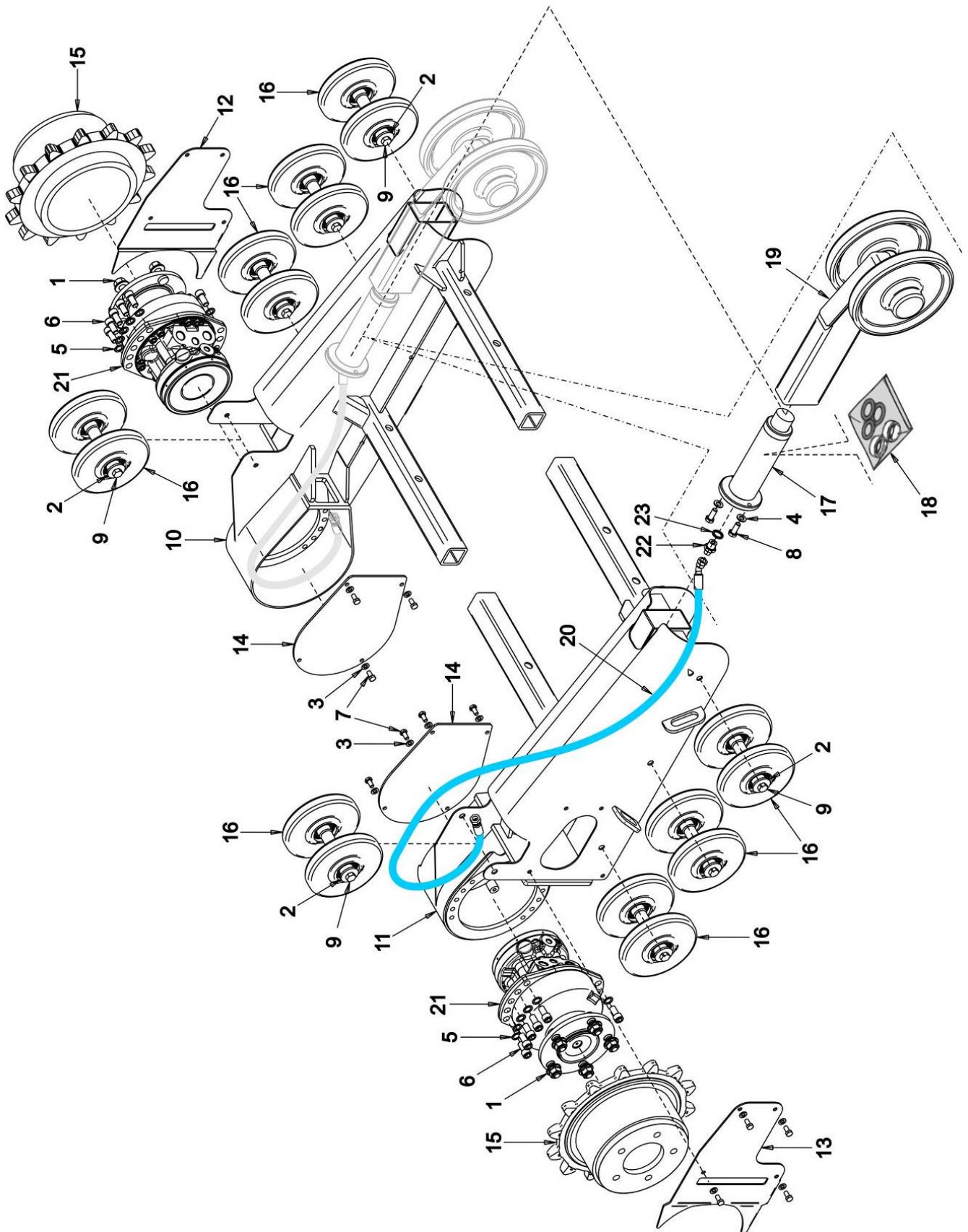
## 2.0 Extendable Crawler track frame



## 2.0 Extendable Crawler track frame

N°	Description	BT Item No.	Qty
1	SELF-LOCKING NUT	49171.09	4
2	NUT	49177.33	4
3	PLAIN WASHER	49171.34	8
4	SECURITY DOWEL	49177.34	4
5	SCREW	49177.35	4
6	LOWER CENTRAL FRAME	49177.36	1

## 3.0 Extendable side members

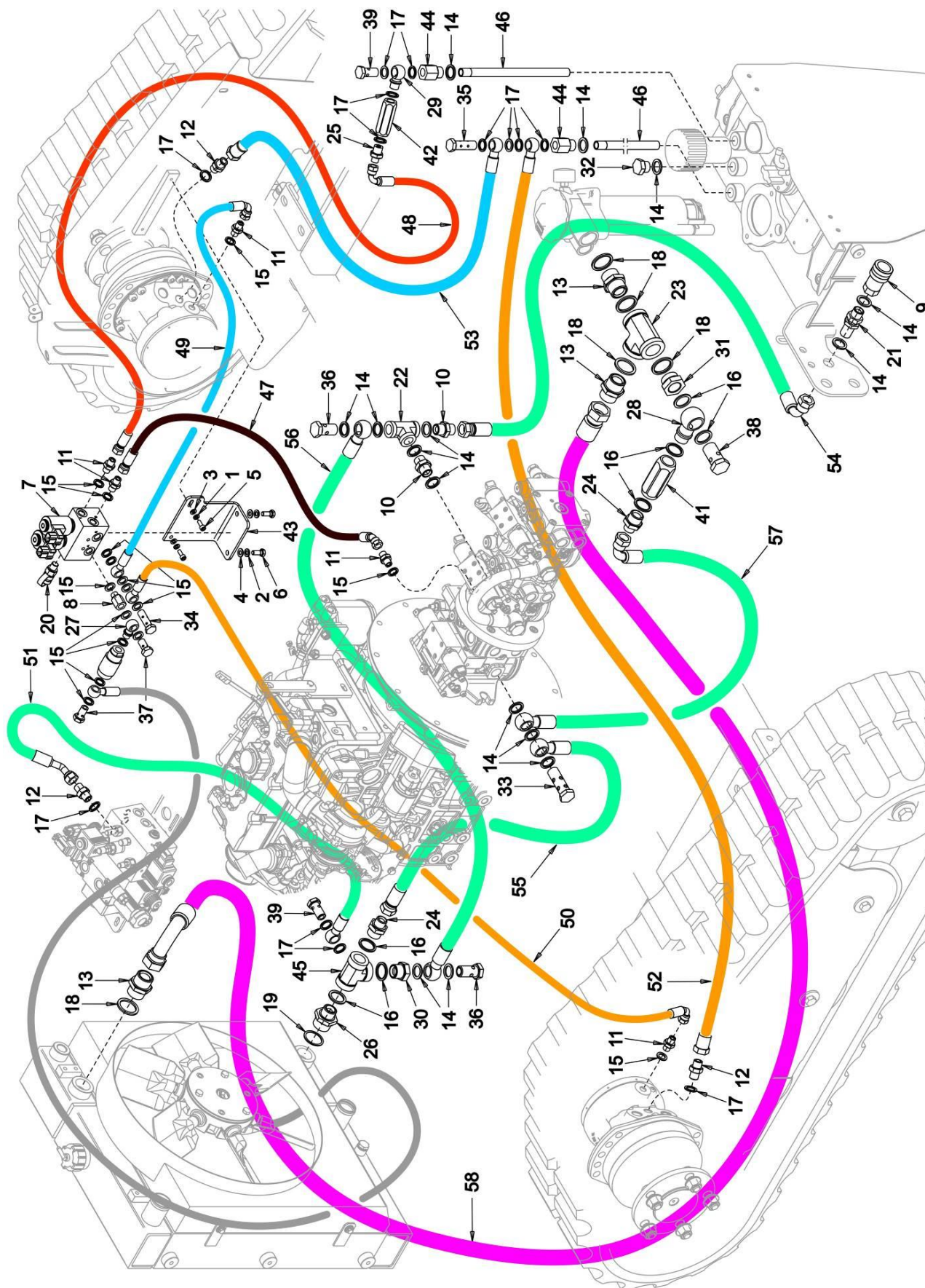




## 3.0 Extendable side members

N°	Description	BT Item No.	Qty
1	FLANGE NUT	49171.11	10
2	CRINKLE WASHER	49177.37	16
3	PLAIN WASHER	49171.30	8
4	PLAIN WASHER	49171.31	4
5	WASHER	49171.41	20
6	ALLEN SCREW	49171.62	20
7	SCREW	49171.68	8
8	SCREW	49171.75	4
9	SCREW	49175.78	16
10	RIGHT TRACK FRAME	49177.38	1
11	LEFT TRACK FRAME	49177.39	1
12	LATERAL RIGHT COVER	49177.40	1
13	LATERAL LEFT COVER	49177.41	1
14	MOTOR COVER	49177.42	2
15	DRIVING WHEEL	49173.04	2
16	UPPER/LOWER ROLLER	49177.43	8
17	TENSION RAM	49177.44	2
18	SEAL KIT	49177.45	2
19	WHEEL	49177.46	2
20	OIL HOSE	49173.05	2
21	PISTON MOTOR	49177.47	2
22	JUNCTION	49173.33	2
23	BONDED SEAL	49173.39	2

## 4.0 Discharges and drainages



## 4.0 Discharges and drainages

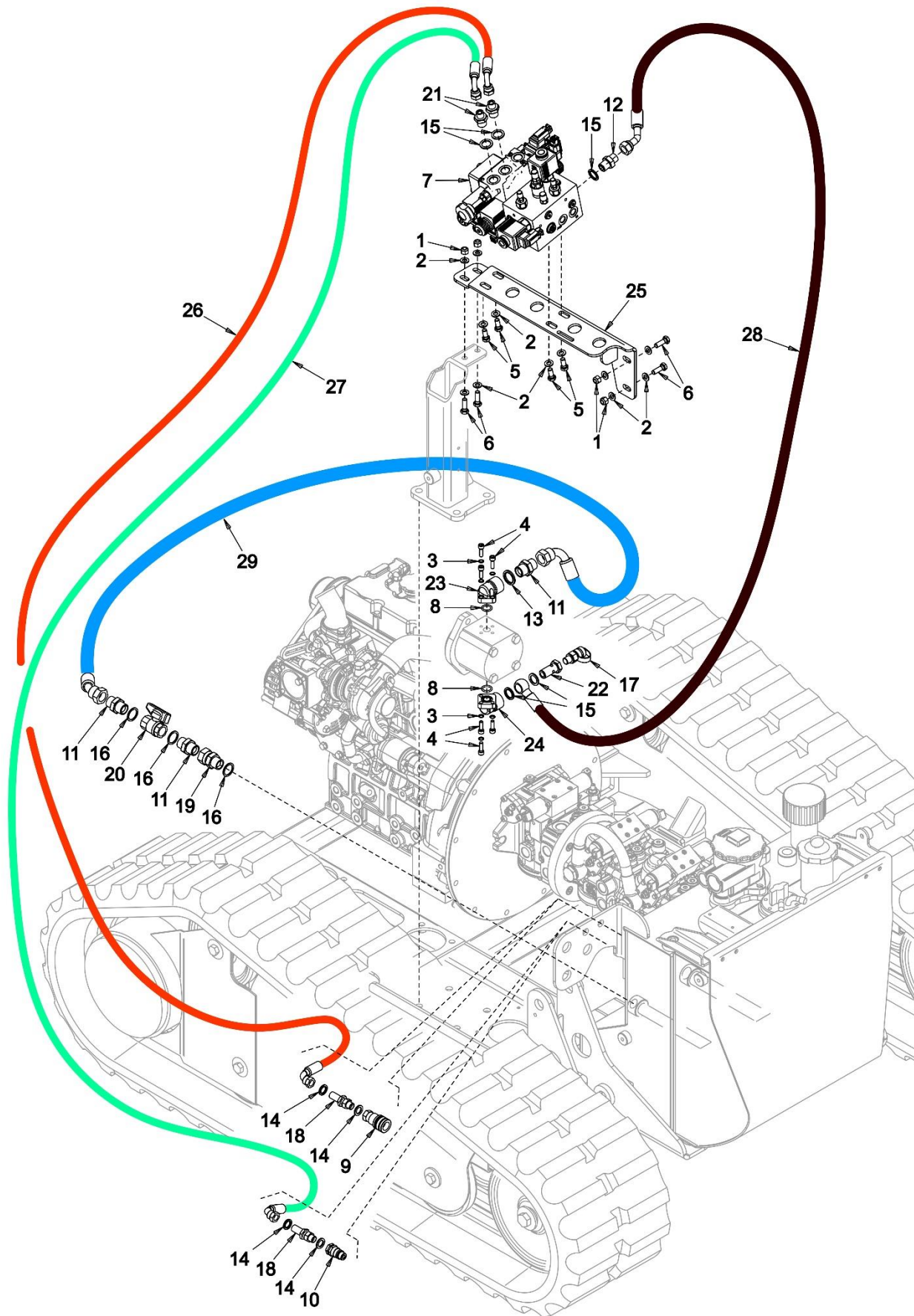
N°	Description	BT Item No.	Qty
1	GROWER WASHER	49171.20	2
2	GROWER WASHER	49171.21	2
3	PLAIN WASHER	49171.29	2
4	PLAIN WASHER	49171.30	2
5	ALLEN SCREW	49171.49	2
6	SCREW	49171.69	2
7	BRAKE UNLOCK, REV FAN DRIVE	49171.98	1
8	COLUMN JUNCTION	49172.11	1
9	QUIK REL. COUPLING	49173.28	1
10	JUNCTION	49173.32	2
11	JUNCTION	49173.33	5
12	JUNCTION	49173.36	3
13	JUNCTION	49173.37	3
14	BONDED SEAL	49173.38	15
15	BONDED SEAL	49173.39	16
16	BONDED SEAL	49173.40	7
17	BONDED SEAL	49173.41	13
18	BONDED SEAL	49173.42	5
19	COPPER SEAL	49173.48	1
20	PRESSURE TESTER	49173.49	1
21	PIPE FITTING	49173.50	1
22	UNION TEE	49173.55	1
23	UNION TEE	49173.57	1
24	REDUCTION	49173.59	2
25	REDUCTION	49173.60	1
26	REDUCTION	49173.62	1
27	BANJO FITTING	49173.63	1
28	BANJO FITTING	49173.64	1
29	BANJO FITTING	49177.48	1
30	CAP	49177.49	1
31	CAP	49173.68	1
32	CAP	49177.50	1
33	SCREW	49177.51	1
34	SCREW	49173.72	1
35	SCREW	49177.52	1
36	SCREW	49173.74	2
37	SCREW	49173.75	2
38	SCREW	49173.76	1
39	SCREW	49173.77	2
40	REDUCING VALVE ADJUSTABLE	49174.46	1
41	UNIDIR VALVE	49174.47	1
42	UNIDIR VALVE	49174.48	1
43	ELECTRIC COIL BRKT	49177.53	1
44	COLUMN REDUCTION	49177.54	2
45	TEE FITTING	49177.55	1
46	DRAINAGE HOSE	49177.56	2
47	OIL HOSE	49177.57	1
48	OIL HOSE	49177.58	1
49	OIL HOSE	49177.59	1

**4.0 Discharges and drainages (Cont/d)**

N°	Description	BT Item No.	Qty
50	OIL HOSE	49177.60	1
51	OIL HOSE	49177.61	1
52	OIL HOSE	49177.62	1
53	OIL HOSE	49177.63	1
54	OIL HOSE	49177.64	1
55	OIL HOSE	49177.65	1
56	OIL HOSE	49177.66	1
57	OIL HOSE	49177.67	1
58	HOSE	49174.10	1

Page intentionally blank

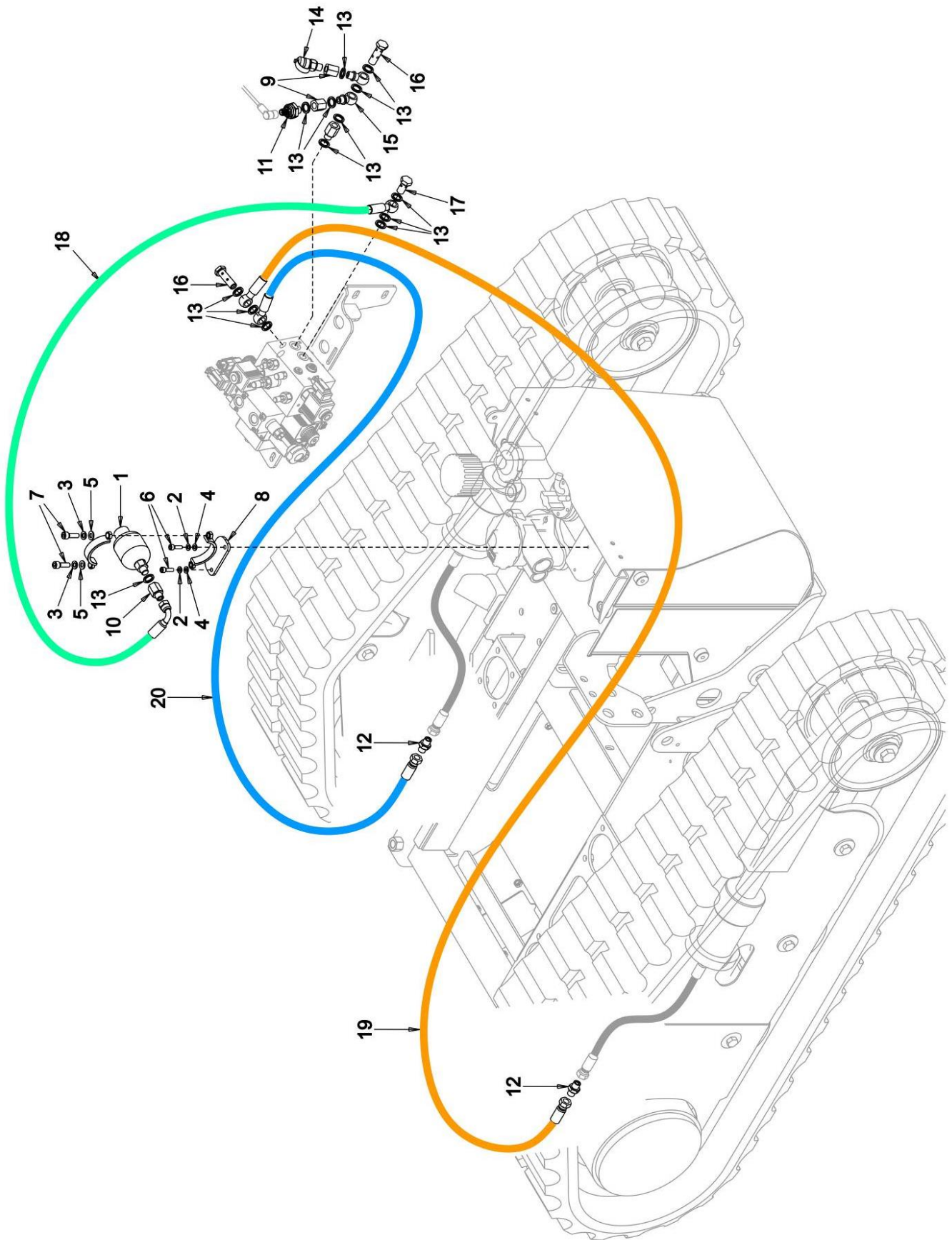
## 5.0 Auxiliaries and Services



## 5.0 Auxiliaries and Services

N°	Description	BT Item No.	Qty
1	SELF-LOCKING NUT	49171.05	4
2	PLAIN WASHER	49171.30	12
3	WASHER	49171.38	6
4	ALLEN SCREW	49171.50	6
5	SCREW	49171.69	4
6	SCREW	49171.70	4
7	SWITCH	49177.68	1
8	O-RING	49173.24	2
9	QUIK REL. COUPLING	49173.29	1
10	QUIK REL. COUPLING	49173.31	1
11	JUNCTION	49173.32	3
12	JUNCTION	49173.36	1
13	BONDED SEAL	49173.38	1
14	BONDED SEAL	49173.39	4
15	BONDED SEAL	49173.41	5
16	COPPER SEAL	49173.43	3
17	PRESSURE TESTER	49173.49	1
18	PIPE FITTING	49173.51	2
19	SLEWING CONNECTOR	49173.53	1
20	VALVE	49173.54	1
21	REDUCTION	49173.60	2
22	SCREW	49173.78	1
23	UNION ELBOW	49173.80	1
24	UNION ELBOW	49173.81	1
25	DISTRIBUTOR BRKT	49177.69	1
26	HOSE	49177.70	1
27	HOSE	49177.71	1
28	HOSE	49177.72	1
29	HOSE	49177.73	1

## 6.0 Track tensioner H. system

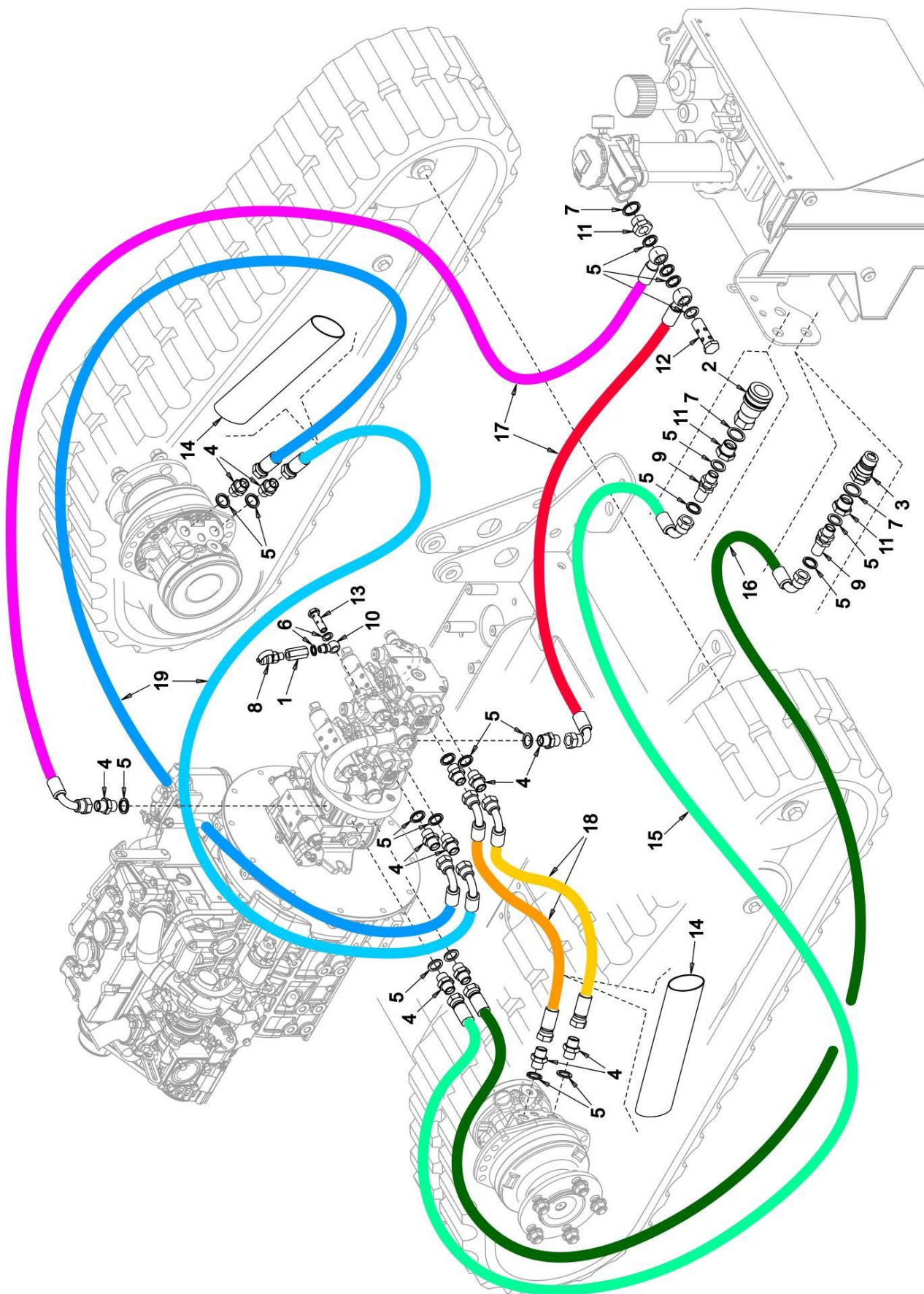




## 6.0 Track tensioner H. system

N°	Description	BT Item No.	Qty
1	ACCUMULATOR	49177.74	1
2	GROWER WASHER	49171.20	2
3	GROWER WASHER	49171.21	2
4	PLAIN WASHER	49171.29	2
5	PLAIN WASHER	49171.30	2
6	ALLEN SCREW	49171.50	2
7	ALLEN SCREW	49171.56	2
8	COLLAR SUPPORT	49171.94	1
9	COLUMN JUNCTION	49172.09	2
10	COLUMN JUNCTION	49172.11	2
11	ANALOGIC PRESSURE SENSOR	49172.37	1
12	JUNCTION	49173.33	2
13	BONDED SEAL	49173.39	14
14	PRESSURE TESTER	49173.49	1
15	BANJO FITTING	49173.63	2
16	SCREW	49173.72	2
17	SCREW	49173.75	1
18	OIL HOSE	49174.31	1
19	OIL HOSE	49177.75	1
20	OIL HOSE	49177.76	1

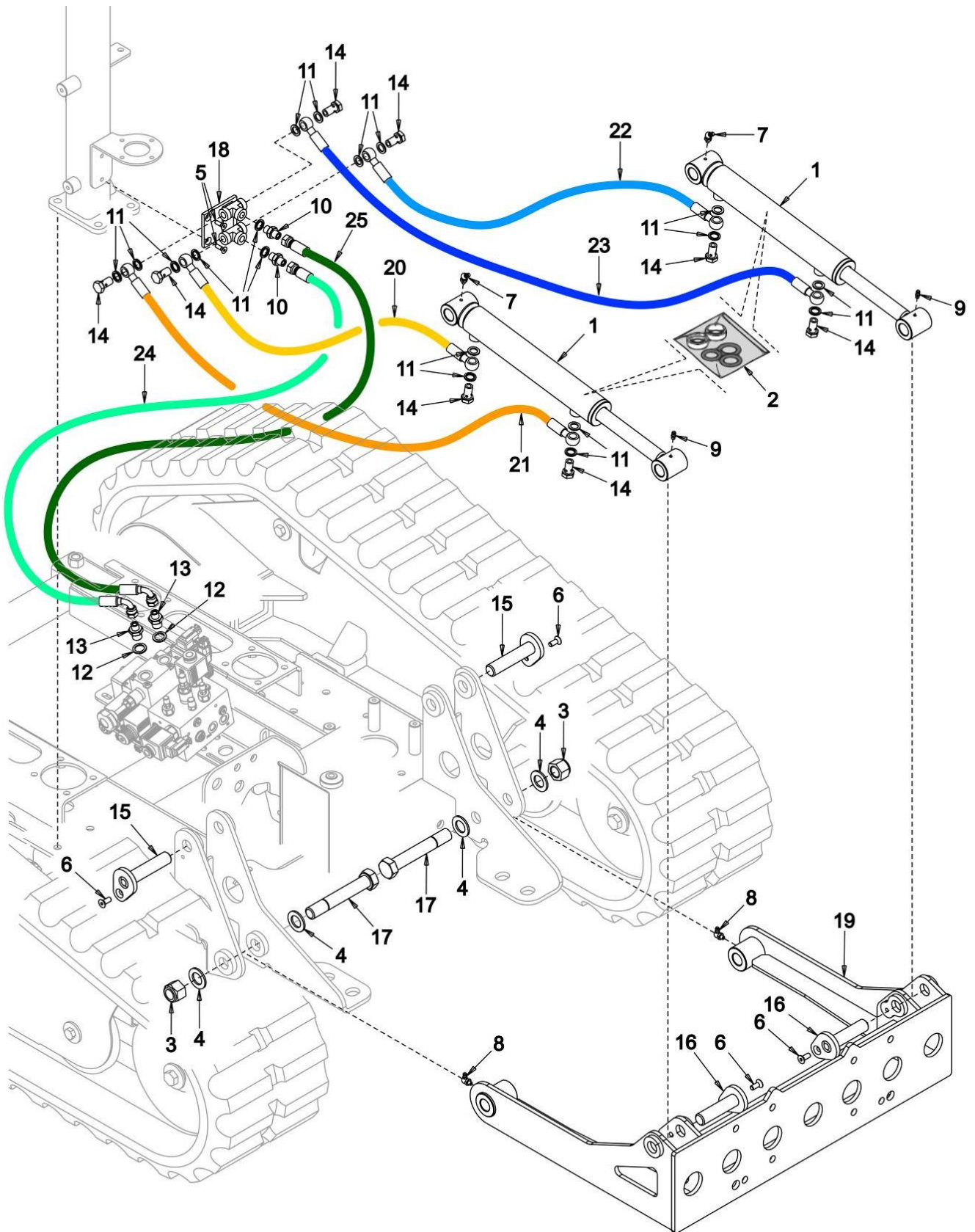
## 7.0 Tracks and Tool H. system



## 7.0 Tracks and Tool H. system

N°	Description	BT Item No.	Qty
1	COLUMN JUNCTION	49172.10	1
2	QUIK REL COUPLING	49177.77	1
3	QUIK REL COUPLING	49177.78	1
4	JUNCTION	49173.32	12
5	BONDED SEAL	49173.38	20
6	BONDED SEAL	49173.39	2
7	BONDED SEAL	49173.40	3
8	PRESSURE TESTER	49173.49	1
9	PIPE FITTING	49173.50	2
10	BANJO FITTING	49173.63	1
11	CAP	49177.79	3
12	SCREW	49177.80	1
13	SCREW	49173.72	1
14	CASE PROTECTION FOR HOSES	49174.07	2
15	HOSE	49177.81	1
16	HOSE	49177.82	1
17	HOSE	49177.83	2
18	HOSE	49177.84	2
19	HOSE	49177.85	2

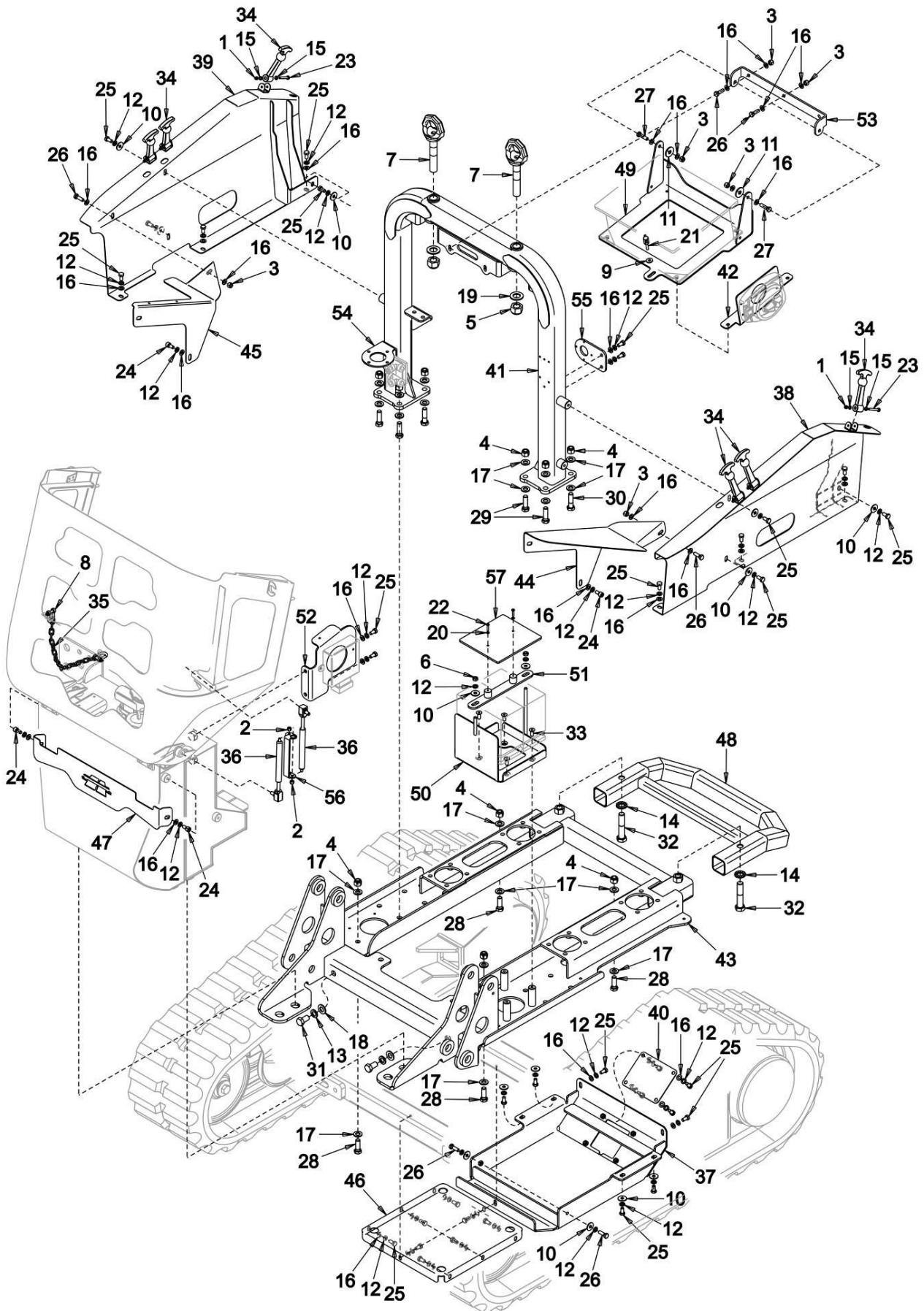
## 8.0 Lifter with H. system



## 8.0 Lifter with H. system

N°	Description	BT Item No.	Qty
1	LIFTER RAM	49172.13	2
2	SEAL KIT FOR LIFTER RAM	49172.12	2
3	SELF-LOCKING NUT	49177.86	2
4	PLAIN WASHER	49171.36	4
5	COUNTERSUNK SCREW	49175.87	2
6	COUNTERSUNK SCREW	49171.92	4
7	GREASE NIPPLE	49173.18	2
8	GREASE NIPPLE	49173.19	2
9	GREASE NIPPLE	49173.20	2
10	JUNCTION	49173.33	2
11	BONDED SEAL	49173.39	18
12	BONDED SEAL	49173.41	2
13	REDUCTION	49173.60	2
14	SCREW	49173.75	8
15	PIN	49173.83	2
16	PIN	49173.84	2
17	PIN	49177.87	2
18	COLLECTOR CONNECTION OF RAMS	49175.16	1
19	LIFTER	49177.88	1
20	OIL HOSE	49177.89	1
21	OIL HOSE	49177.90	1
22	OIL HOSE	49177.91	1
23	OIL HOSE	49177.92	1
24	OIL HOSE	49177.93	1
25	OIL HOSE	49177.94	1

## 9.0 Base frame with covers



## 9.0 Base frame with covers

N°	Description	BT Item No.	Qty
1	SELF-LOCKING NUT	49171.03	6
2	SELF-LOCKING NUT	49171.04	2
3	SELF-LOCKING NUT	49171.05	6
4	SELF-LOCKING NUT	49171.07	12
5	SELF-LOCKING NUT	49177.95	2
6	HEX NUT	49171.13	2
7	EYEBOLT	49177.96	2
8	SHACKLE CONNECTOR	49177.97	2
9	CRINKLE WASHER	49171.18	1
10	CRINKLE WASHER	49177.98	14
11	CRINKLE WASHER	49171.19	2
12	GROWER WASHER	49171.21	42
13	GROWER WASHER	49171.23	2
14	WASHER	49171.27	2
15	PLAIN WASHER	49171.28	12
16	PLAIN WASHER	49171.30	40
17	PLAIN WASHER	49171.32	24
18	PLAIN WASHER	49171.33	2
19	PLAIN WASHER	49171.35	2
20	WASHER	49171.37	2
21	WING SCREW	49177.99	1
22	ROUNDED SCREW	49178.01	2
23	ROUNDED SCREW	49171.47	6
24	ALLEN SCREW	49171.54	4
25	SCREW	49171.68	34
26	SCREW	49171.70	6
27	SCREW	49171.71	2
28	SCREW	49175.79	4
29	SCREW	49171.82	4
30	SCREW	49175.80	4
31	SCREW	49178.02	2
32	SCREW	49171.87	2
33	COUNTERSUNK SCREW	49171.92	4
34	FRONTAL COVER TIE-BEAM	49172.01	6
35	CHAIN	49178.03	1
36	GAS SPRING	49173.21	2
37	REAR FRAME PROTECTION	49178.04	1
38	RIGHT-SIDE FENDER COVER	49178.05	1
39	LEFT-SIDE FENDER COVER	49178.06	1
40	REAR FRAME PROTECTOR CAP	49178.07	1
41	ROLL-BAR	49178.08	1
42	RECEIVER BRKT	49178.09	1
43	BASE FRAME	49178.10	1
44	RIGHT-SIDE FENDER COVER	49178.11	1
45	LEFT-SIDE FENDER COVER	49178.12	1
46	UNDER BODY PROTECTION	49178.13	1
47	FRONTAL METAL SHEET	49178.14	1
48	REAR BULL-BAR	49178.15	1
49	SUPPORT FRAME FOR E.C.U.	49178.16	1

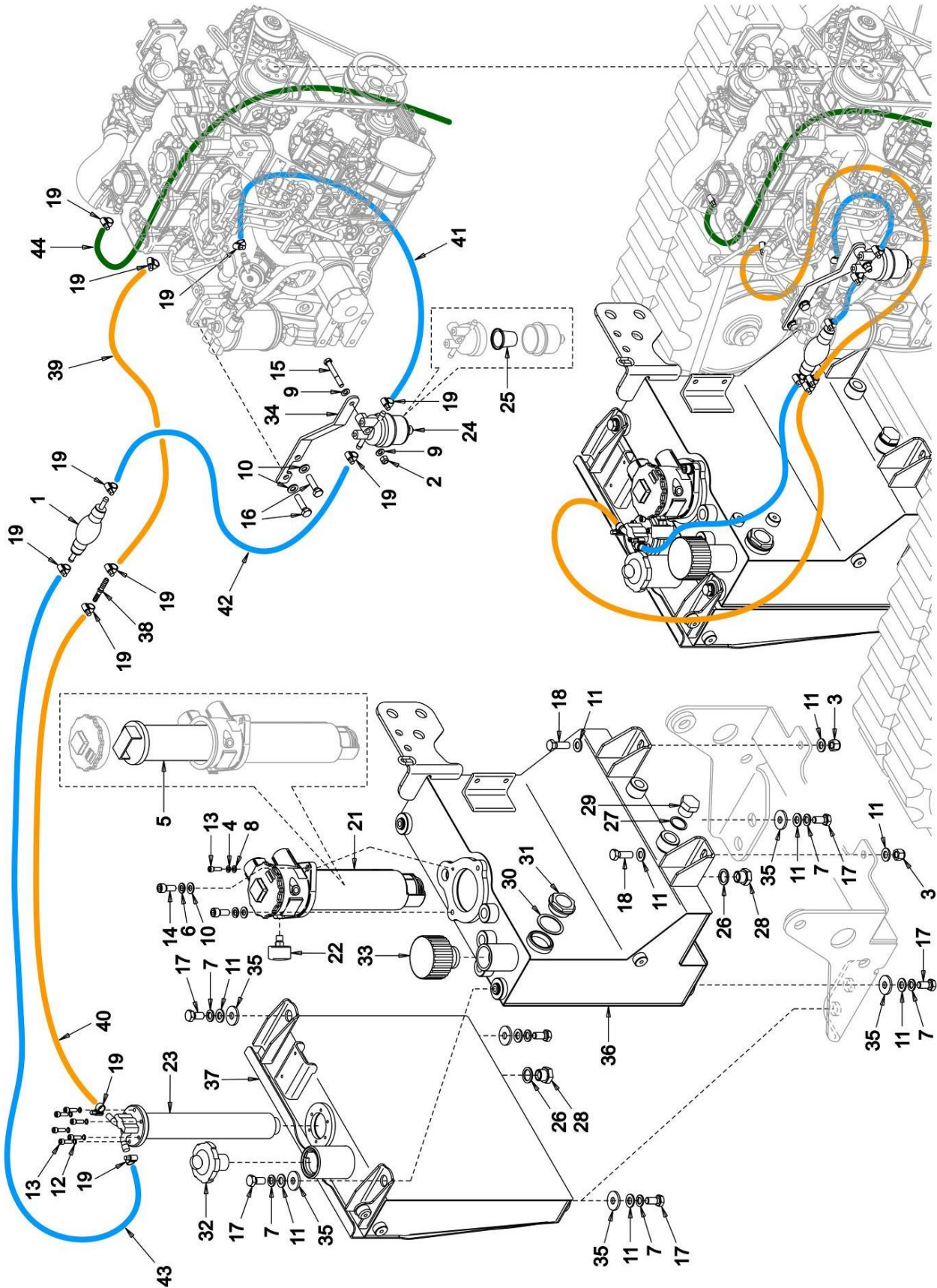
**9.0 Base frame with covers (Cont'd)**

<b>N°</b>	<b>Description</b>	<b>BT Item No.</b>	<b>Qty</b>
50	BATTERY BRKT	49178.17	1
51	BATTERY FIXING	49178.18	1
52	ELECTRIC BOX + CNTRL UNIT BRKT	49178.19	1
53	METAL SHEET FOR E.C.U. HINGE	49178.20	1
54	TILT SENSOR BRKT	49178.21	1
55	BATTERY SWITCH BRKT	49178.22	1
56	GAS SPRING CONNECTOR	49178.23	1
57	POLYCARBONATE BATTERY GUARD	49178.24	1



Page intentionally blank

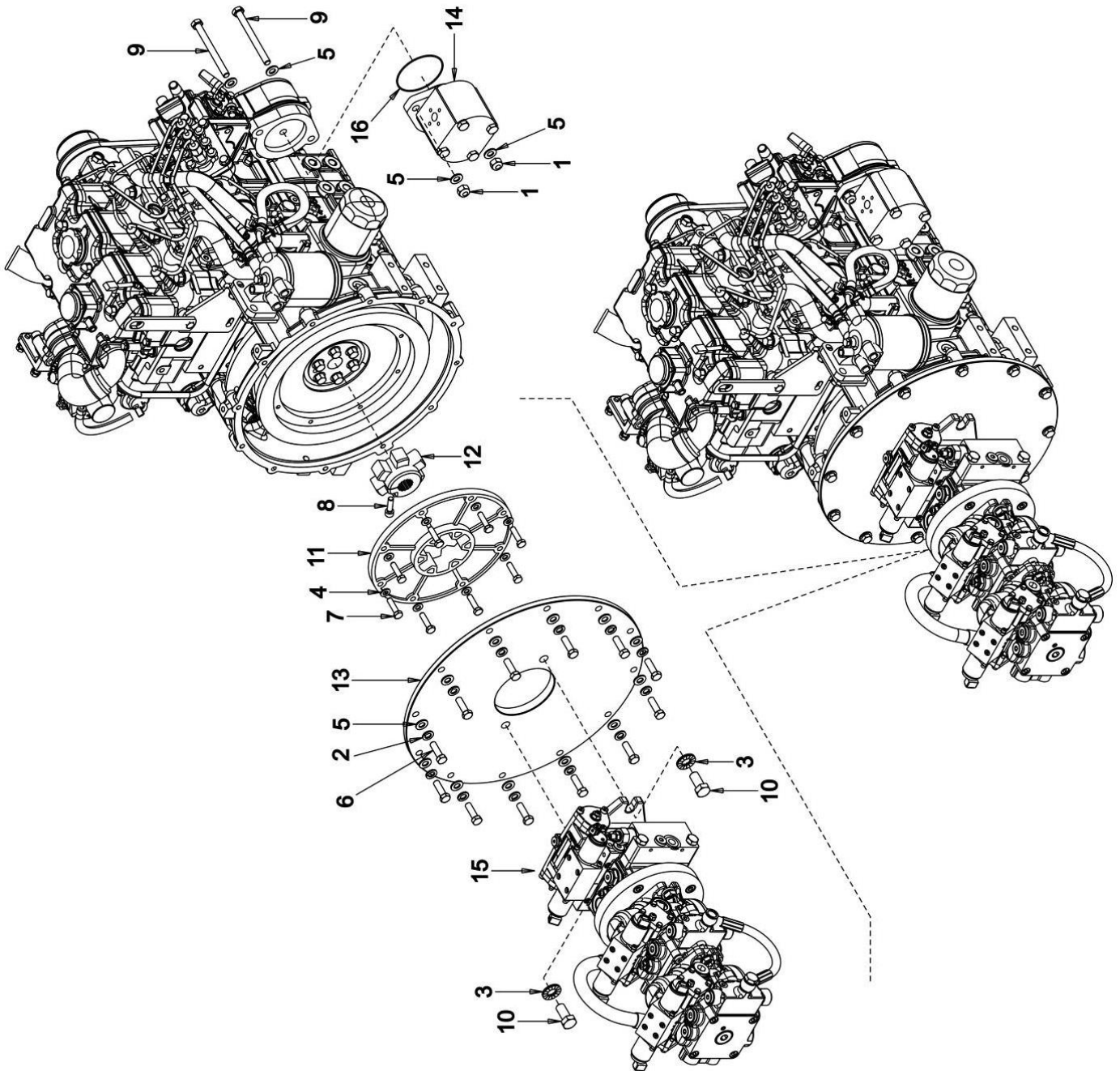
## 10.0 Oil and fuel tanks



## 10.0 Oil and fuel tanks

N°	Description	BT Item No.	Qty
1	PRIMING PUMP	49172.76	1
2	SELF-LOCKING NUT	49171.05	1
3	SELF-LOCKING NUT	49171.07	2
4	GROWER WASHER	49171.20	1
5	COMBINED FILTER SPARE CARTRDGE	49172.06	1
6	GROWER WASHER	49171.22	2
7	GROWER WASHER	49175.73	6
8	PLAIN WASHER	49171.29	1
9	PLAIN WASHER	49171.30	2
10	PLAIN WASHER	49171.31	4
11	PLAIN WASHER	49171.32	10
12	WASHER	49171.38	6
13	ALLEN SCREW	49171.50	7
14	ALLEN SCREW	49171.59	2
15	SCREW	49171.73	1
16	SCREW	49171.79	2
17	SCREW	49175.78	6
18	SCREW	49175.79	2
19	HOSE CLAMP	49171.95	11
20	FAIRLEAD	49172.03	1
21	COMBINED FILTER (BREATHER)	49172.04	1
22	CHOKE INDICATOR CMBINED FILTER	49172.05	1
23	DIESEL LEVEL SENSOR+ TUBE	49172.36	1
24	DIESEL PRE-FILTER	49172.75	1
25	DIESEL PRE-FILTER CARTRIDGE	49172.73	1
26	BONDED SEAL	49173.38	2
27	COPPER SEAL	49173.46	1
28	CAP	49178.25	2
29	CAP	49173.69	1
30	SEAL FOR OIL LEVEL CHECK	49173.79	1
31	OIL LEVEL CHECK	49173.86	1
32	CAP WITH KEY	49173.97	1
33	CAP WITH VENTILATED FILTER	49174.01	1
34	DIESEL FILTER BRKT	49175.40	1
35	TANK WASHER	49178.26	6
36	OIL TANK	49178.27	1
37	DIESEL TANK	49178.28	1
38	DIESEL SUCTION REDUCTN SLEEVE	49175.38	1
39	DIESEL HOSE	49178.29	1
40	DIESEL HOSE	49178.30	1
41	DIESEL HOSE	49174.05	1
42	DIESEL HOSE	49178.31	1
43	DIESEL HOSE	49174.06	1
44	DIESEL HOSE	49178.32	1

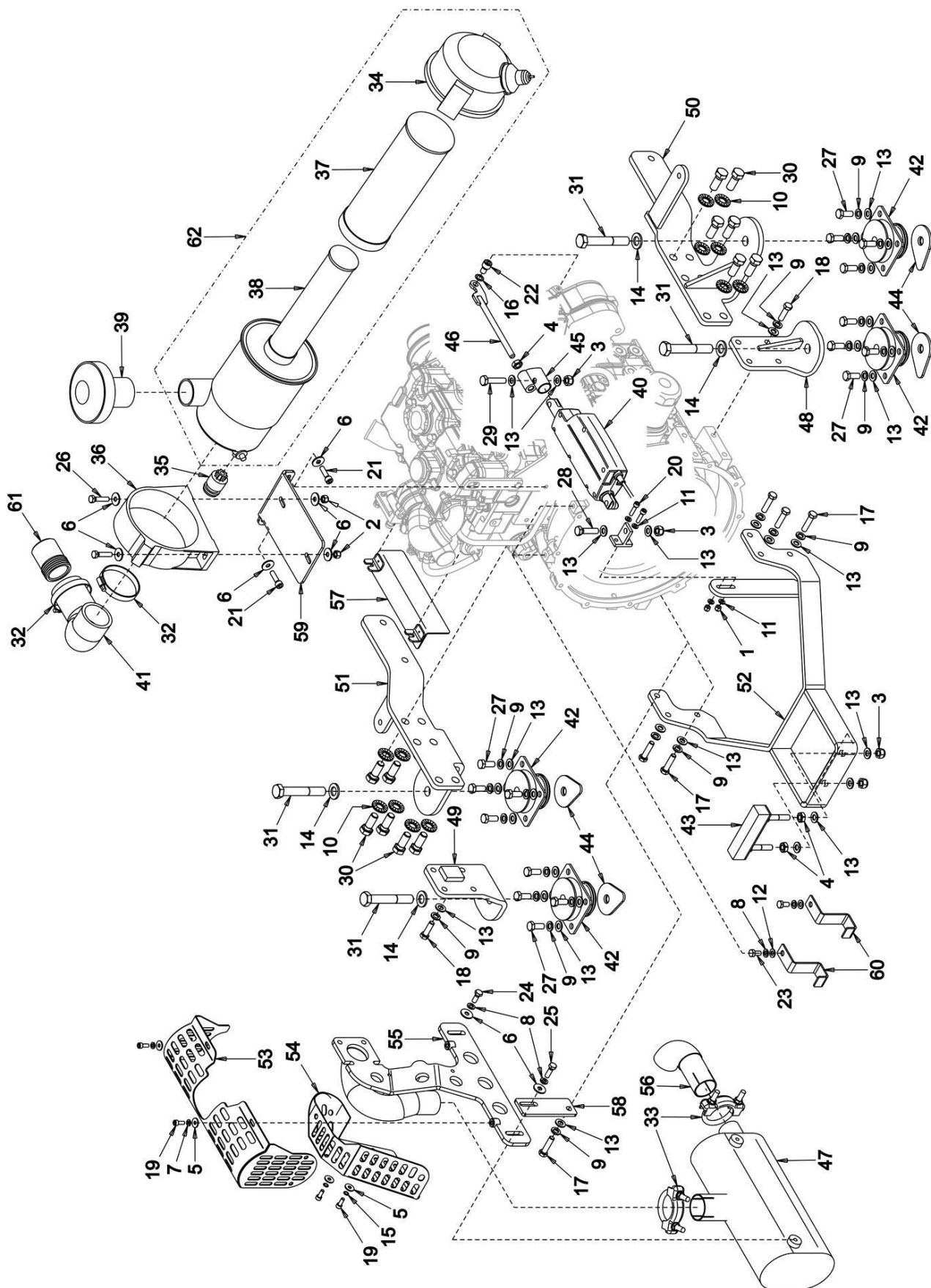
## 11.0 Flange – pump assembly



## 11.0 Flange – pump assembly

N°	Description	BT Item No.	Qty
1	SELF-LOCKING NUT	49171.06	2
2	GROWER WASHER	49171.22	12
3	WASHER	49171.26	2
4	PLAIN WASHER	49171.30	8
5	PLAIN WASHER	49171.31	16
6	SCREW	49171.43	12
7	SCREW	49171.44	8
8	ALLEN SCREW	49171.57	1
9	SCREW	49171.81	2
10	SCREW	49171.84	2
11	FLANGE	49172.66	1
12	HUB	49178.33	1
13	FLANGE COVER	49172.68	1
14	PUMP	49173.16	1
15	PUMP	49178.34	1
16	O-RING	49173.25	1
17	DIESEL ENGINE	49172.71	1

## 12.0 Engine accessories



## 12.0 Engine accessories

N°	Description	BT Item No.	Qty
1	SELF-LOCKING NUT	49171.04	2
2	SELF-LOCKING NUT	49171.05	2
3	SELF-LOCKING NUT	49171.06	4
4	HEX NUT	49171.14	3
5	CRINKLE WASHER	49171.18	4
6	CRINKLE WASHER	49178.35	8
7	GROWER WASHER	49171.20	2
8	GROWER WASHER	49171.21	4
9	GROWER WASHER	49171.22	24
10	WASHER	49171.26	12
11	PLAIN WASHER	49171.29	4
12	PLAIN WASHER	49171.30	2
13	PLAIN WASHER	49171.31	32
14	PLAIN WASHER	49171.34	4
15	WASHER	49171.38	2
16	WASHER	49171.40	1
17	SCREW	49171.42	6
18	SCREW	49171.43	2
19	ALLEN SCREW	49171.49	4
20	ALLEN SCREW	49171.51	2
21	ALLEN SCREW	49171.57	2
22	ALLEN SCREW	49171.58	1
23	SCREW	49171.68	2
24	SCREW	49171.69	1
25	SCREW	49171.70	1
26	SCREW	49171.72	2
27	SCREW	49171.75	16
28	SCREW	49171.79	1
29	SCREW	49171.80	1
30	SCREW	49171.85	12
31	SCREW	49171.88	4
32	HOSE CLAMP	49171.97	2
33	HOSE CLAMP FOR DISCHARGE HOSE	49172.02	2
34	SUPPORT FOR AIR FILTER	49172.60	1
35	CLOGGING INDICATOR	49172.61	1
36	COLLAR SUPPORT	49172.62	1
37	PRIMARY CARTRIDGE AIR FILTER	49172.63	1
38	SECONDARY CARTRIDGE AIR FILTER	49172.64	1
39	COVER FOR ENGINE AIR FILTER	49172.65	1
40	LINEAR ACTUATOR	49173.09	1
41	FLEX AIR FILTER CONNECTOR TUBE	49173.12	1
42	DAMPING CONE	49173.96	4
43	CONE DAMPED PUMP BRKT	49174.50	1
44	STOPPER FOR VIBRATION-DAMPER	49174.60	4
45	ACCELERATOR BAR BASE	49178.36	1
46	ACCELERATOR BAR	49178.37	1
47	SILENCER	49175.43	1
48	ANTERIOR ENGINE CONNECTOR BRKT	49178.38	1
49	ANTERIOR ENGINE CONNECTOR BRKT	49178.39	1

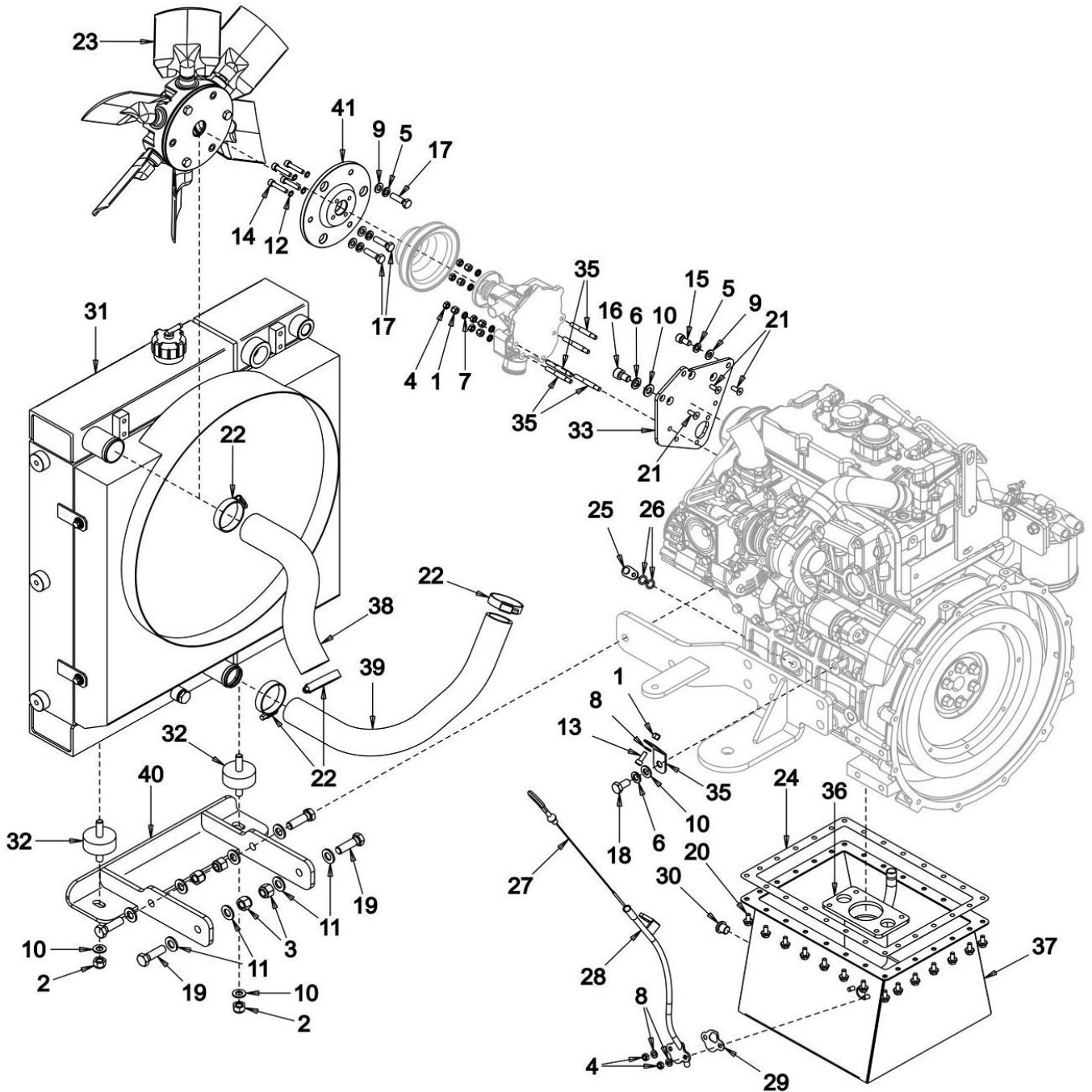
## 12.0 Engine accessories (Cont'd)

N°	Description	BT Item No.	Qty
50	ANTERIOR ENGINE CONNECTOR BRKT	49178.40	1
51	ANTERIOR ENGINE CONNECTOR BRKT	49178.41	1
52	SUPPORT PUMPS	49178.42	1
53	SILENCER GUARD	49178.43	1
54	SILENCER GUARD	49178.44	1
55	SILENCER COLLECTOR	49178.45	1
56	SILENCER EXTENSION	49178.46	1
57	ELECTRICAL WIRING GUARD BRKT	49178.47	1
58	SILENCER BRKT	49178.48	1
59	AIR FILTER BRKT	49178.49	1
60	ELECTRICAL CABLE BRKT	49178.50	2
61	AIR FILTER ADAPTER SLEEVE	49178.51	1
62	AIR FILTER WITH CARTRIDGE	49172.59	1



Page intentionally blank

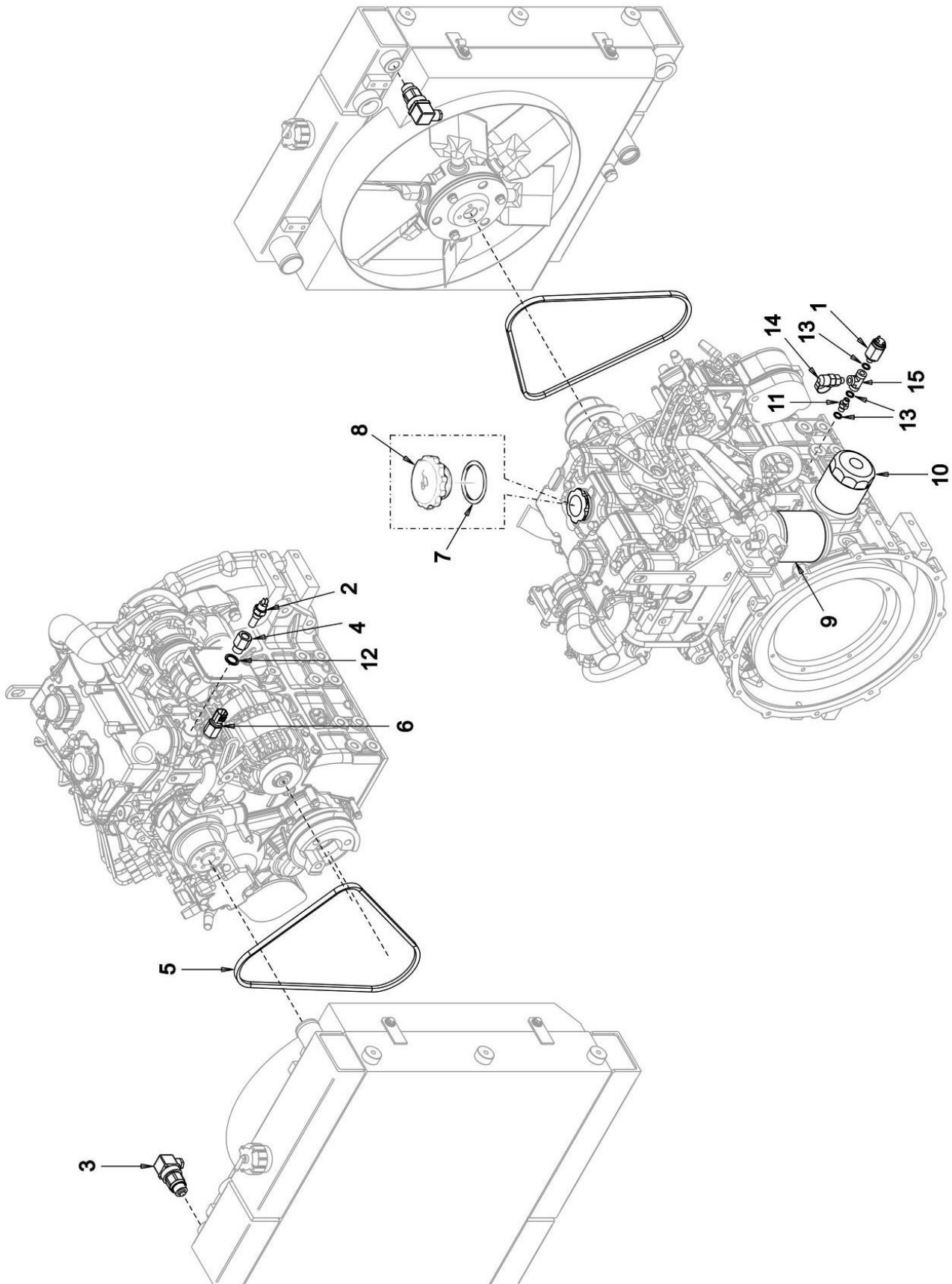
## 13.0 Heat exchanger and oil sump



## 13.0 Heat exchanger and oil sump

N°	Description	BT Item No.	Qty
1	SELF-LOCKING NUT	49171.04	6
2	SELF-LOCKING NUT	49171.06	2
3	SELF-LOCKING NUT	49171.07	4
4	HEX NUT	49171.12	7
5	GROWER WASHER	49171.21	4
6	GROWER WASHER	49171.22	2
7	WASHER	49171.25	5
8	PLAIN WASHER	49171.29	3
9	PLAIN WASHER	49171.30	4
10	PLAIN WASHER	49171.31	4
11	PLAIN WASHER	49171.32	8
12	WASHER	49171.38	4
13	ALLEN SCREW	49171.49	1
14	ALLEN SCREW	49171.52	4
15	ALLEN SCREW	49171.54	1
16	ALLEN SCREW	49171.58	1
17	SCREW	49171.71	3
18	SCREW	49171.74	1
19	SCREW	49171.82	4
20	SCREW	49171.90	26
21	COUNTERSUNK SCREW	49171.91	3
22	HOSE CLAMP	49171.96	4
23	REVERSIBLE FAN	49178.52	1
24	OIL SUMP SEAL	49172.78	1
25	CAP FOR DIPSTICK-OIL BASE	49172.79	1
26	O-RING FOR DIPSTICK-OIL BASE	49172.83	2
27	DIPSTICK-OIL	49173.13	1
28	TUBE-OIL DIPSTICK	49173.14	1
29	SEAL FOR TUBE-OIL DIPSTICK	49173.15	1
30	CAP	49173.70	1
31	OIL-WATER HEAT EXCHANGER	49178.53	1
32	VIBRATION-DAMPER D50 H20 MM M10	49173.94	2
33	WATER PUMP FLANGE	49175.20	1
34	SUPPORT PLATE FOR DIPSTICK-OIL	49175.41	1
35	STUD SCREW	49175.49	5
36	HUB FOR INTAKE SYSTEM	49178.54	1
37	OIL SUMP	49178.55	1
38	UPPER WATER HOSE	49178.56	1
39	LOWER WATER HOSE	49178.57	1
40	HEAT EXCHANGER BRKT	49178.58	1
41	REVERSIBLE FAN FLANGE	49178.59	1

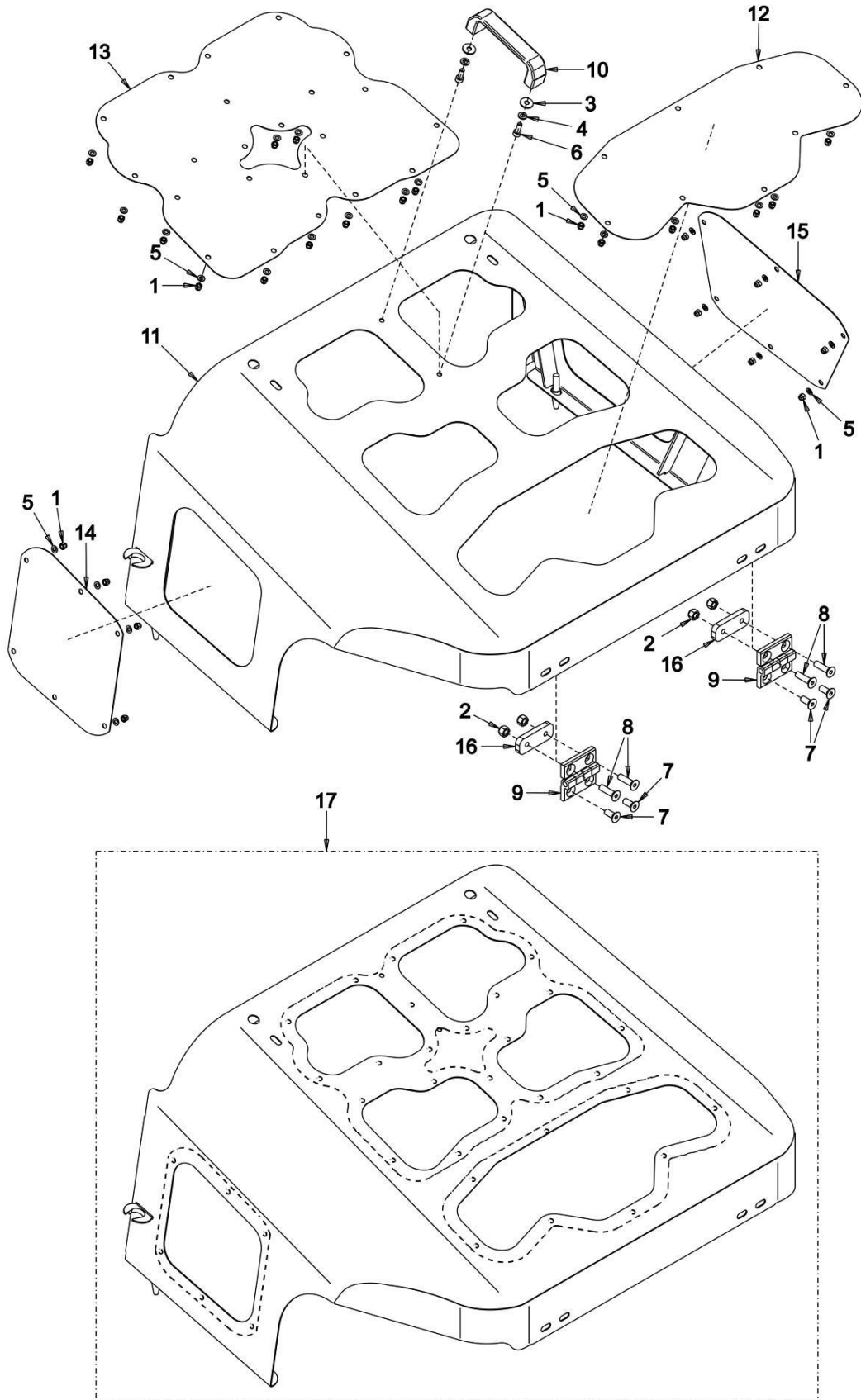
## 14.0 Engine and accessories



## 14.0 Engine and accessories

N°	Description	BT Item No.	Qty
1	MEMBRANE PRESSURE SWITCH	49172.38	1
2	WATER TEMPERATURE SENSOR	49172.39	1
3	HYDRAULIC OIL TEMPERATURE TRANSDUCER	49172.40	1
4	WATER TEMPERATURE SENSOR SUPPORT	49173.10	1
5	ENGINE BELT	49172.72	1
6	LIQUID COOLANT THERMOSTAT	49172.81	1
7	UNDER-CAP SEAL	49172.73	1
8	UPPER CAP FOR ENGINE OIL REFILL	49172.80	1
9	DIESEL FILTER	49172.82	1
10	ENGINE OIL FILTER	49172.77	1
11	JUNCTION	49173.34	1
12	BONDED SEAL	49173.41	1
13	COPPER SEAL	49173.45	3
14	PRESSURE TESTER	49173.49	1
15	UNION TEE	49173.56	1

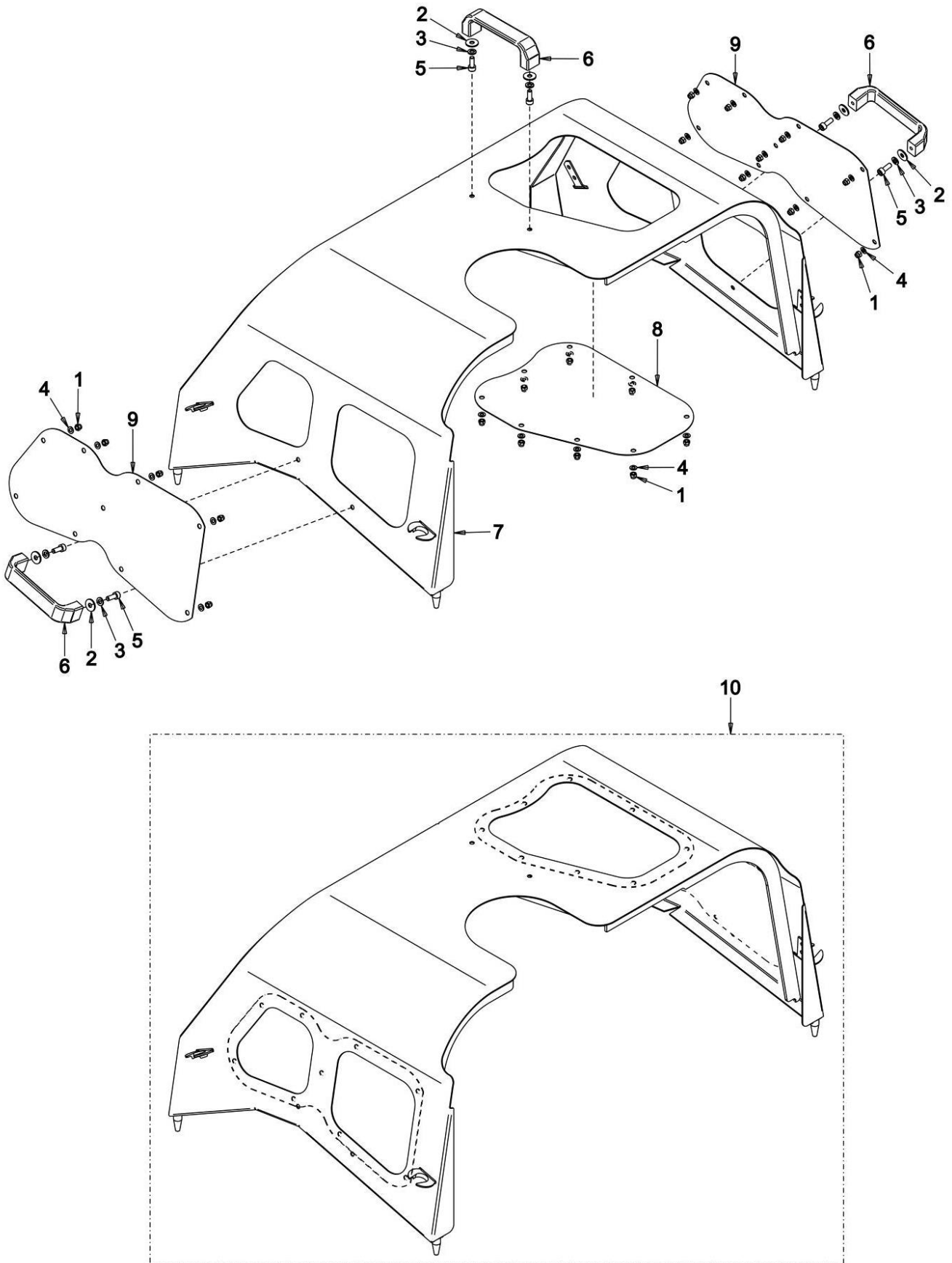
## 15.0 Front cover



## 15.0 Front cover

N°	Description	BT Item No.	Qty
1	SELF-LOCKING NUT	49171.03	42
2	SELF-LOCKING NUT	49171.05	4
3	CRINKLE WASHER	49171.18	2
4	GROWER WASHER	49171.20	2
5	PLAIN WASHER	49171.28	42
6	ALLEN SCREW	49171.49	2
7	COUNTERSUNK SCREW	49171.92	4
8	SCREW	49178.60	4
9	HINGE WITH HOLES	49172.20	2
10	HANDLE	49172.69	1
11	FRONTAL COVER	49178.61	1
12	FRONTAL COVER GRID	49178.62	1
13	FRONTAL COVER GRID	49178.63	1
14	FRONTAL COVER GRID	49178.64	1
15	FRONTAL COVER GRID	49178.65	1
16	METAL SHEET FOR HINGE	49178.66	2
17	FRONTAL COVER COMPLETE	49178.67	1

## 16.0 Center cover

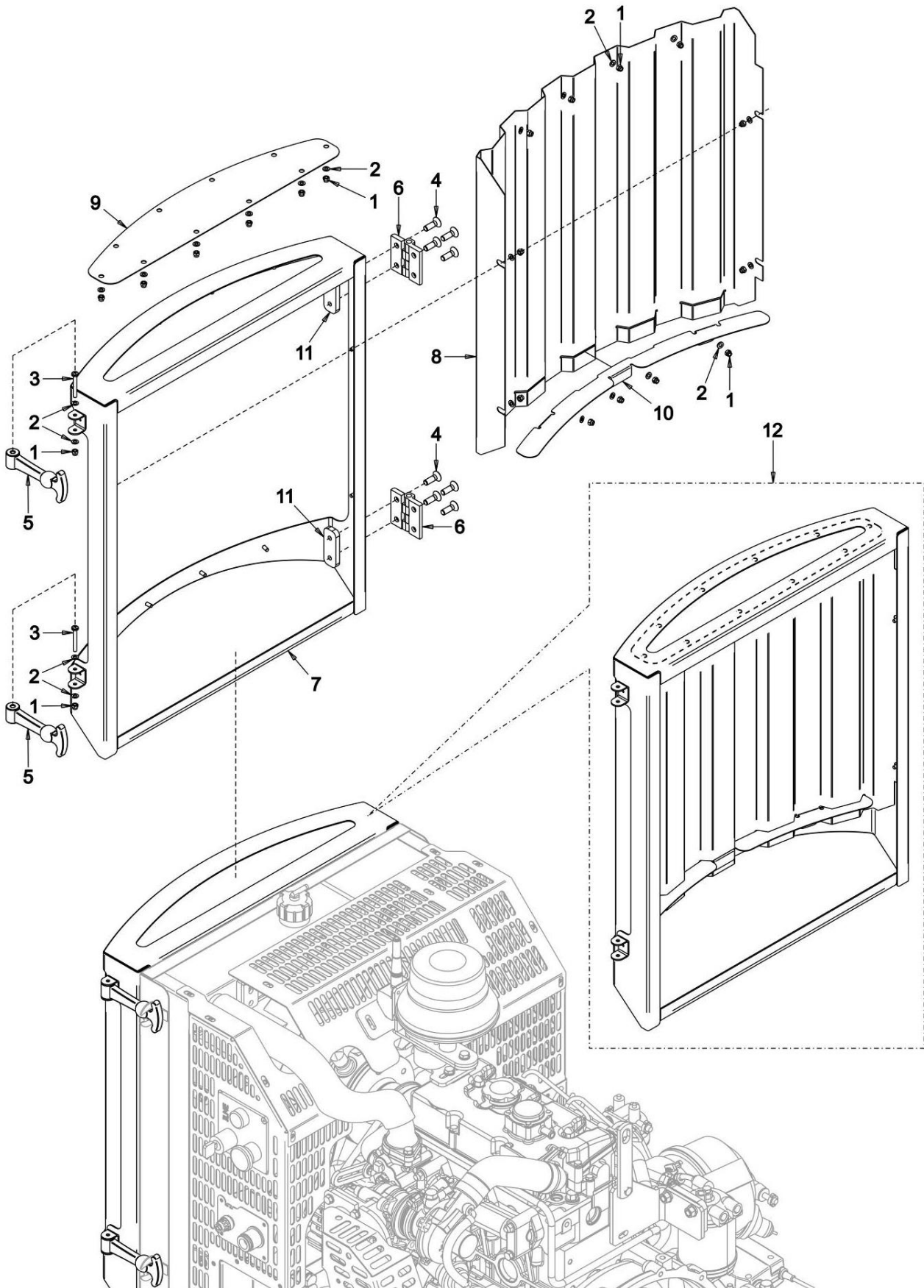




**16.0 Center cover**

<b>N°</b>	<b>Description</b>	<b>BT Item No.</b>	<b>Qty</b>
1	SELF-LOCKING NUT	49171.03	26
2	CRINKLE WASHER	49171.18	6
3	GROWER WASHER	49171.20	6
4	PLAIN WASHER	49171.28	26
5	ALLEN SCREW	49171.49	6
6	HANDLE	49172.69	3
7	CENTRAL COFFER	49178.68	1
8	CENTRAL COFFER GRID	49178.69	1
9	CENTRAL COFFER GRID	49178.70	2
10	CENTRAL COFFER COMPLETE	49178.71	1

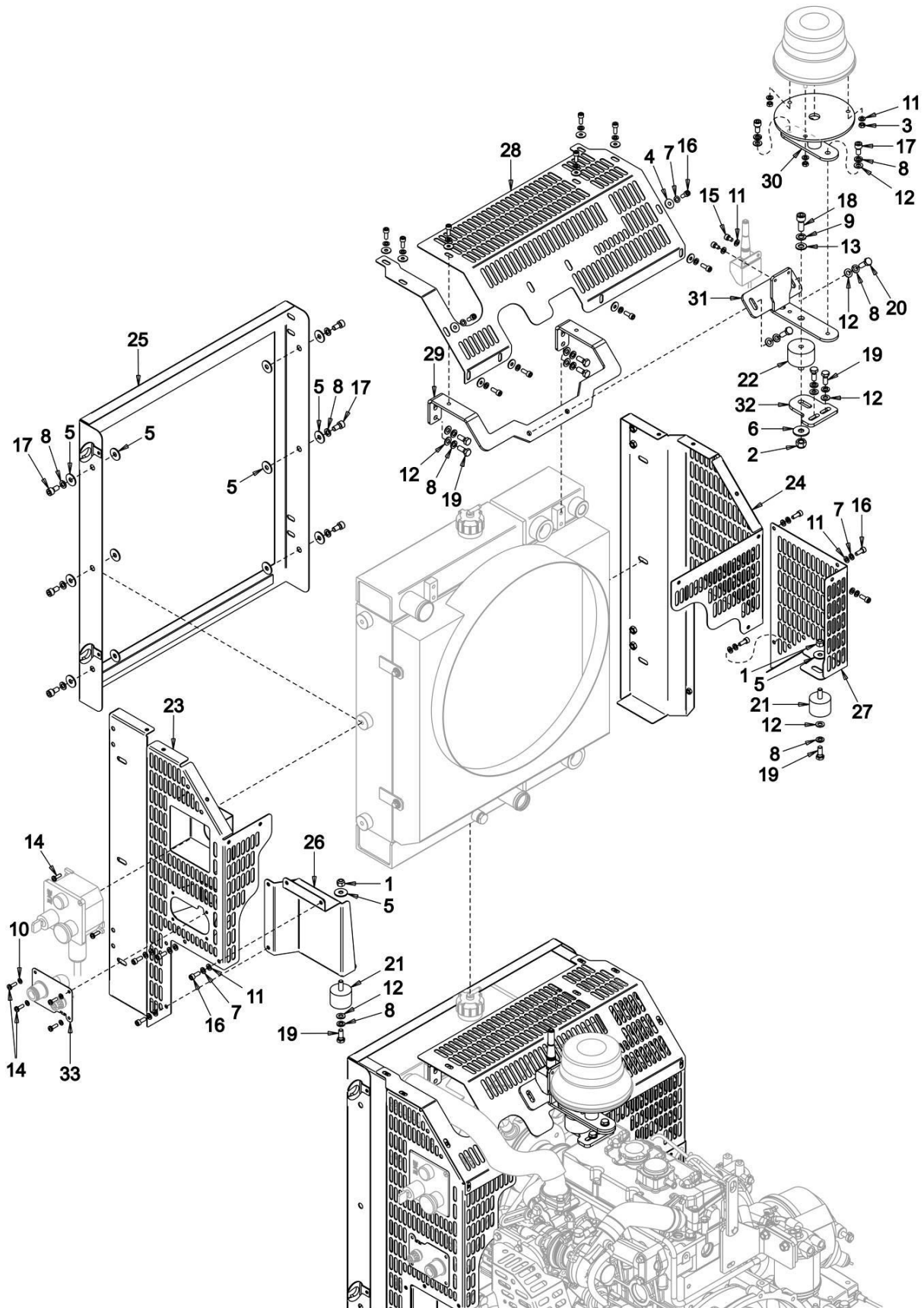
## 17.0 Rear cover



**17.0 Rear cover**

<b>N°</b>	<b>Description</b>	<b>BT Item No.</b>	<b>Qty</b>
1	SELF-LOCKING NUT	49171.03	24
2	PLAIN WASHER	49171.28	26
3	ROUNDED SCREW	49171.47	2
4	COUNTERSUNK SCREW	49171.93	8
5	FRONTAL COVER TIE-BEAM	49172.01	2
6	HINGE WITH HOLES	49172.20	4
7	REAR COVER	49178.72	1
8	REAR COVER GRID	49178.73	1
9	REAR COVER GRID	49178.74	1
10	REAR COVER GRID	49178.75	1
11	METAL SHEET FOR HINGE	49178.76	2
12	REAR COVER COMPLETE	49178.77	1

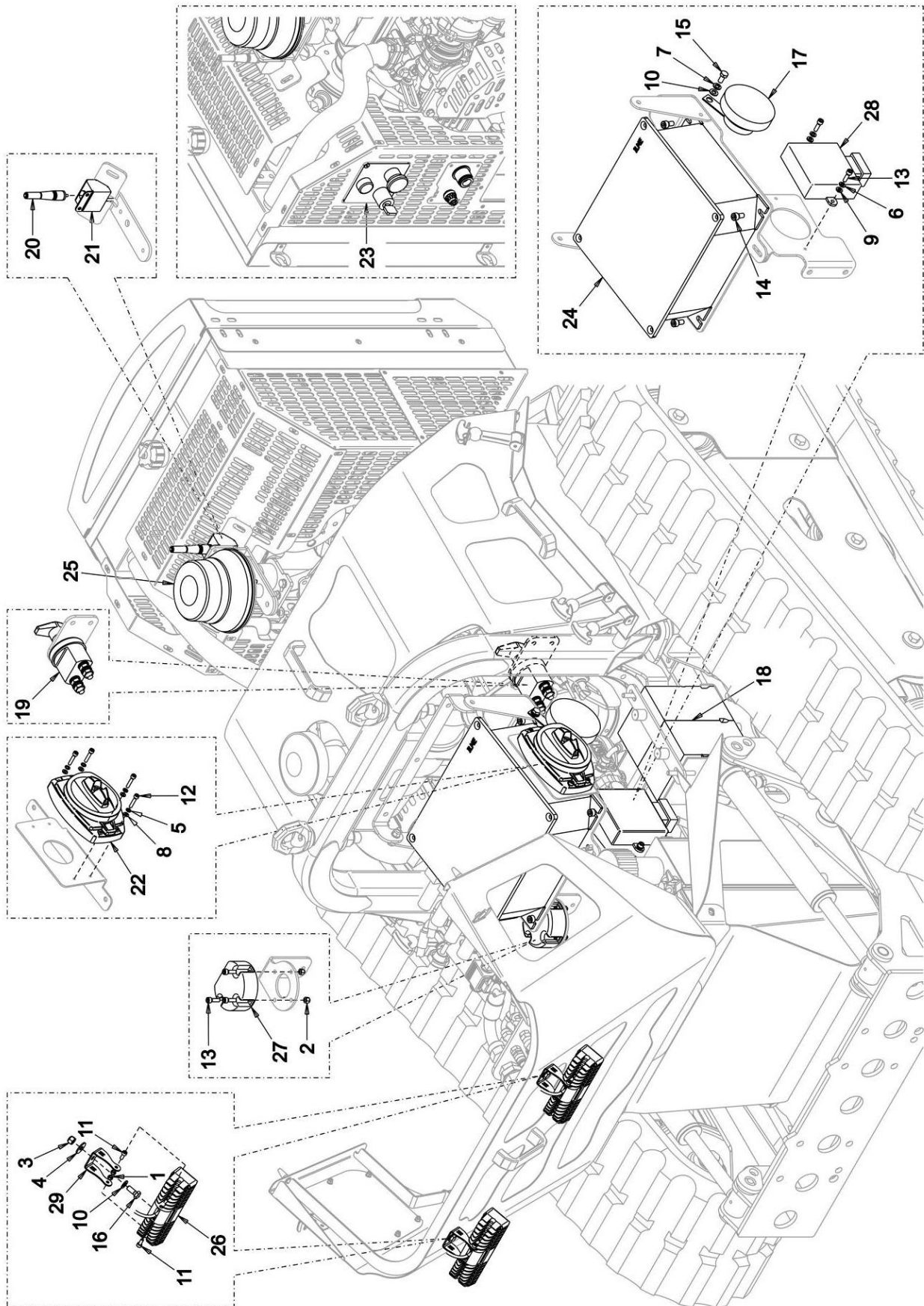
## 18.0 Heat exchanger cover



## 18.0 Heat exchanger cover

N°	Description	BT Item No.	Qty
1	SELF-LOCKING NUT	49171.05	2
2	SELF-LOCKING NUT	49171.06	1
3	HEX NUT	49171.12	3
4	CRINKLE WASHER	49171.18	12
5	CRINKLE WASHER	49178.78	14
6	CRINKLE WASHER	49171.19	1
7	GROWER WASHER	49171.20	20
8	GROWER WASHER	49171.21	18
9	GROWER WASHER	49171.22	1
10	PLAIN WASHER	49171.28	4
11	PLAIN WASHER	49171.29	13
12	PLAIN WASHER	49171.30	12
13	PLAIN WASHER	49171.31	1
14	ROUNDED SCREW	49178.79	6
15	ALLEN SCREW	49178.80	2
16	ALLEN SCREW	49171.49	20
17	ALLEN SCREW	49171.54	8
18	ALLEN SCREW	49171.59	1
19	SCREW	49171.69	8
20	SCREW	49171.70	2
21	VIBRATION-DAMPER	49173.93	2
22	VIBRATION-DAMPER	49173.95	1
23	HEAT EXCHANGER COVER	49178.81	1
24	HEAT EXCHANGER COVER	49178.82	1
25	HEAT EXCHANGER METAL SHEET	49178.83	1
26	LOWER HEAT EXCHANGER COVER	49178.84	1
27	HEAT EXCHANGER COVER	49178.85	1
28	HEAT EXCHANGER COVER	49178.86	1
29	HEAT EXCHANGER COVER BRKT	49178.87	1
30	FLASH-LIGHT BRKT	49178.88	1
31	ANTENNA + HEAT EXC. COVER BRKT	49178.89	1
32	CONNECTION HEAT EXC. - ENGINE	49178.90	1
33	CONNECTORS SUPPORT	49178.91	1

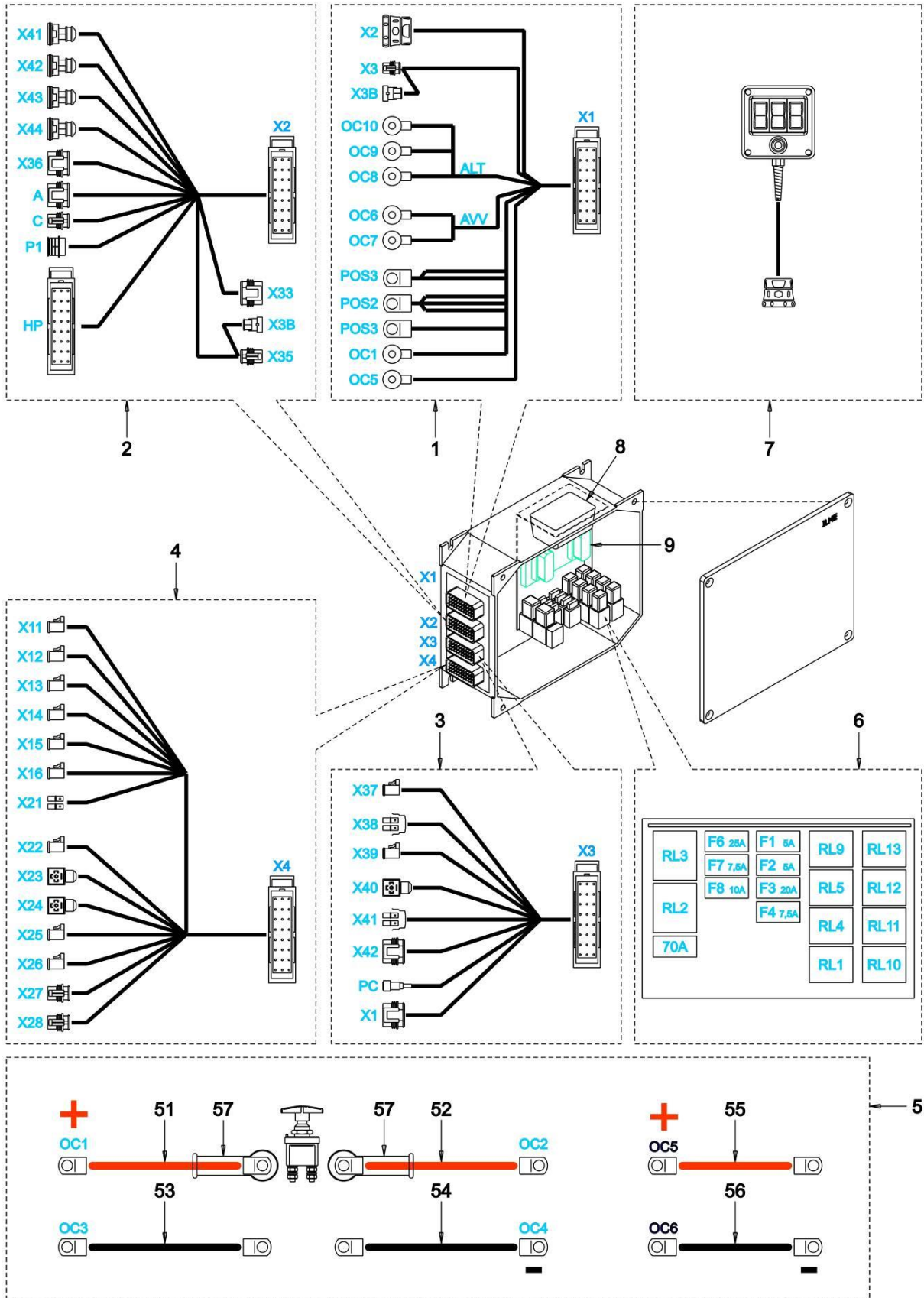
## 19.0 Electrical system



## 19.0 Electrical system

N°	Description	BT Item No.	Qty
1	SELF-LOCKING NUT	49178.92	4
2	SELF-LOCKING NUT	49171.04	3
3	SELF-LOCKING NUT	49171.05	2
4	CRINKLE WASHER	49178.93	2
5	GROWER WASHER	49178.94	4
6	GROWER WASHER	49171.20	2
7	GROWER WASHER	49171.21	1
8	PLAIN WASHER	49171.28	4
9	PLAIN WASHER	49171.29	2
10	PLAIN WASHER	49171.30	3
11	ALLEN SCREW	49178.95	4
12	ALLEN SCREW	49178.96	4
13	ALLEN SCREW	49171.50	5
14	ALLEN SCREW	49171.54	4
15	SCREW	49171.68	1
16	SCREW	49171.69	2
17	CLACSON	49172.21	1
18	BATTERY	49178.97	2
19	MANUAL ELECTRIC MASTER SWITCH	49172.25	1
20	RECEIVER	49172.30	2
21	CABLE FOR RECEIVER	49172.32	1
22	RECEIVER - ELECTRONIC BOX	49172.35	1
23	ELECTRICAL WIRING POWER BOX	49172.52	1
24	ELECTRICAL CONTROL UNIT	49172.51	1
25	FLASH-LIGHT	49172.54	1
26	LED LAMP	49178.98	2
27	SLOPE DETECTOR	49172.57	1
28	CONTROL UNIT ECU	49178.99	1
29	SQUARE LED LIGHT BRKT	49179.01	2

## 20.0 Electrical harness

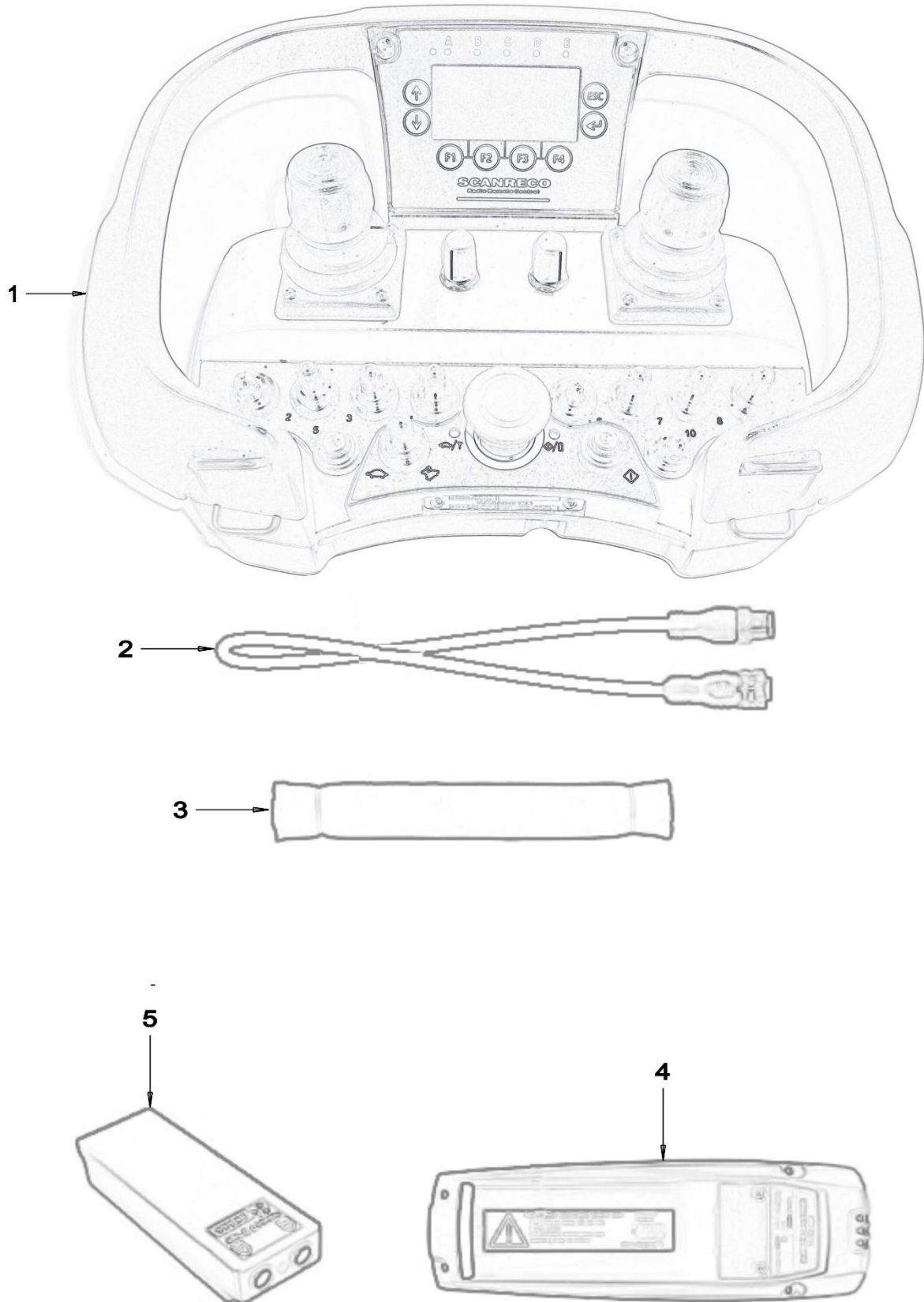




## 20.0 Electrical harness

N°	Description	BT Item No.	Qty
1	ELECTRICAL WIRING	49179.02	1
2	ELECTRICAL WIRING	49172.50	1
3	ELECTRICAL WIRING (ENGINE)	49179.03	1
4	ELECTRICAL WIRING (USERS)	49179.04	1
5	ELECTRICAL WIRING (BATTERY)	49179.05	1
6	ELECTRICAL WIRING E.C.U. BOX	49172.51	1
7	EXTERNAL CONTROL BOX WITH WIRE	49172.43	1
8	CAN BUS CONTROL UNIT	49179.06	1
9	CAN BUS OUTPUT ESPANSION CONTROL UNIT	49172.56	1
51	POSITIVE CLAMP	49179.07	1
52	STARTER MOTOR	49179.08	1
53	FRAME CONNECTION CABLE	49179.09	1
54	NEG FRAME CONNECTER CABLE	49179.10	1
55	BATTERY POS CONNECTION CABLE	49179.11	1
56	BATTERY NEG CONNECTION CABLE	49179.12	1
57	RUBBER CAP	49172.24	2

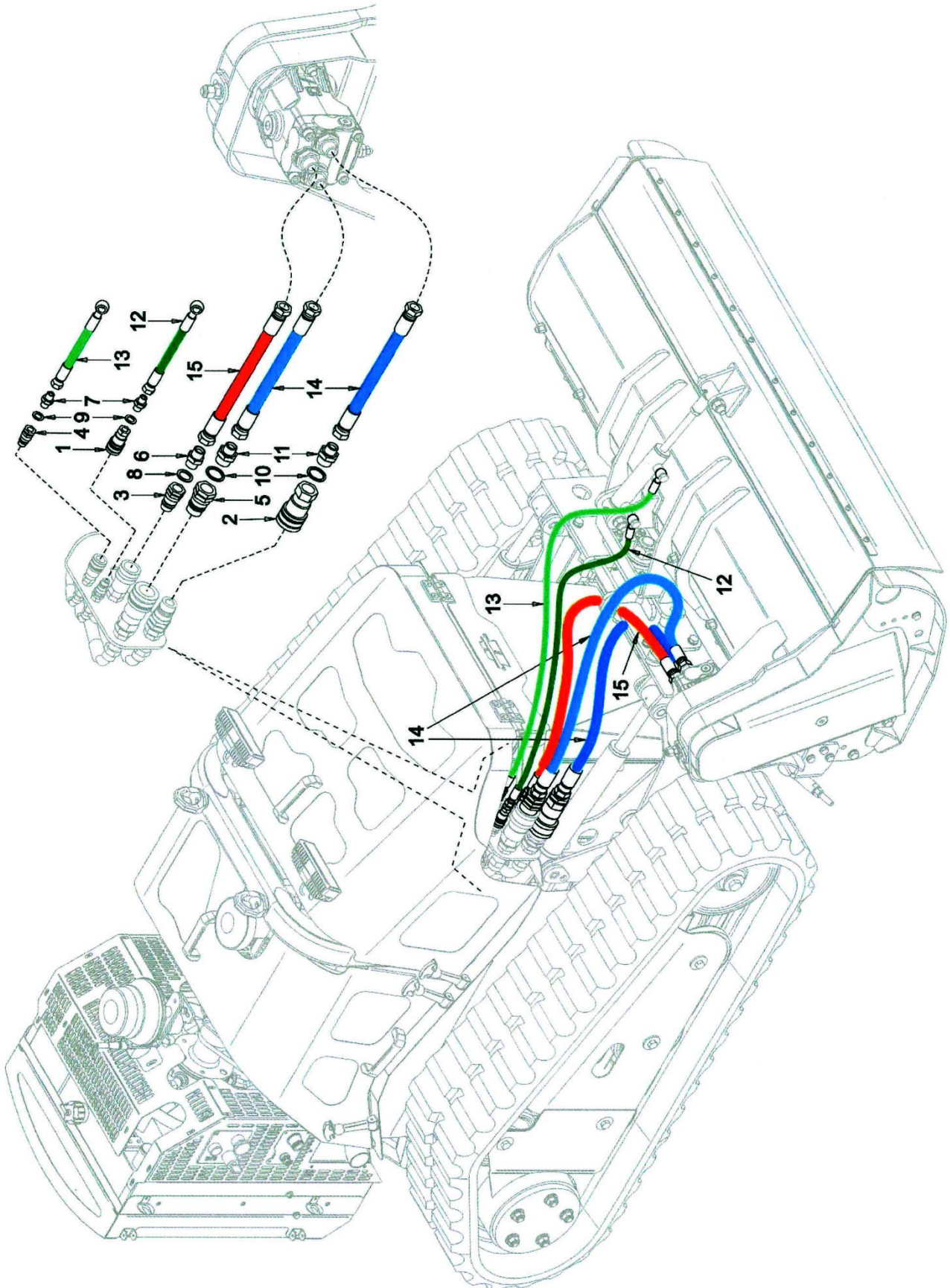
## 21.0 Remote control and accessories



**21.0 Remote control and accessories**

<b>N°</b>	<b>Description</b>	<b>BT Item No.</b>	<b>Qty</b>
1	REMOTE CONTROL	49172.34	1
2	SERIAL CABLE + CONNECTORS	49172.29	1
3	BELT	49172.31	1
4	BATTERY CHARGER	49172.33	1
5	BATTERY	49172.28	1

## 22.0 Head hydraulic hoses



**22.0 Head hydraulic hoses**

N°	Description	BT Item No.	Qty
1	QUIK REL. COUPLING	49173.29	1
2	FEMALE QUICK COUPLING	49179.13	1
3	QUIK REL. COUPLING	49173.30	1
4	QUIK REL. COUPLING	49173.31	1
5	MALE QUICK COUPLING	49179.14	1
6	JUNCTION	49173.32	1
7	JUNCTION	49173.33	2
8	BONDED SEAL	49173.38	1
9	BONDED SEAL	49173.39	2
10	BONDED SEAL	49173.40	2
11	ADAPTOR	49173.59	2
12	HOSE	49179.15	1
13	HOSE	49179.16	1
14	HOSE	49179.17	2
15	HOSE	49179.18	1