



FLAIL-BOT implement

150 FLAILHEAD
(93.101.04)

PARTS MANUAL PM 753

BOMFORD TURNER LTD
Station Road, Salford Priors
Near Evesham, Worcestershire, WR11 8SW
Tel. 01789 773383 Fax. 01789 773238
Online: www.bomford-turner.com
Email: info@bomford-turner.com

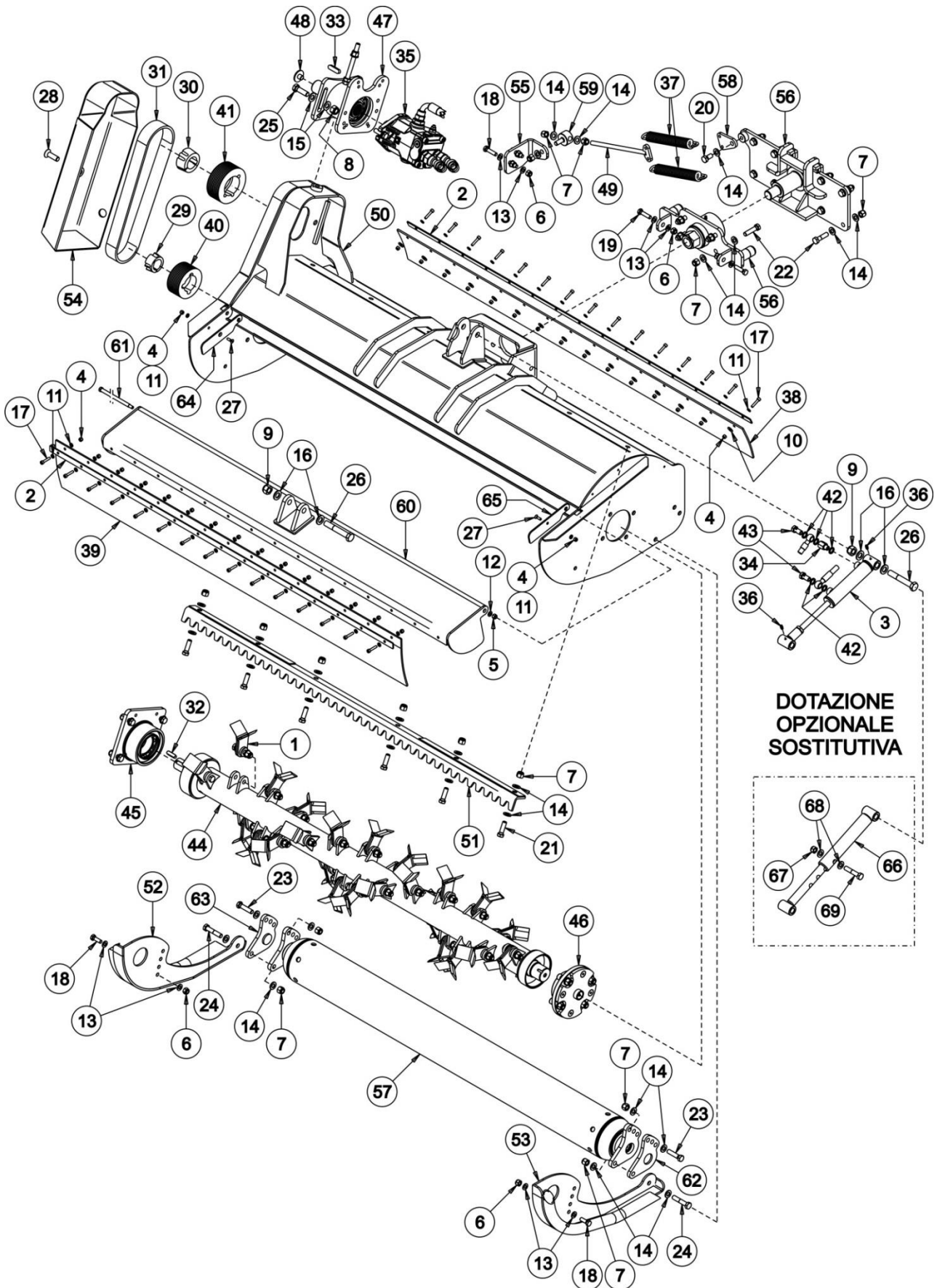


Page intentionally blank

Contents:

1. Head frame and accessories	page 4
2. Head mount assembly	page 8
3. Gear motor assembly	page 10
4. Roller assembly	page 12
5. Rotor bearing assembly (Drive end)	page 14
6. Rotor bearing assembly (Non-Drive end)	page 16
7. Motor drive bearing assembly	page 18
8. Blade assemblies	page 19
9. Guard lift ram assembly	page 20

1.0 Head frame and accessories



1.0 Head frame and accessories

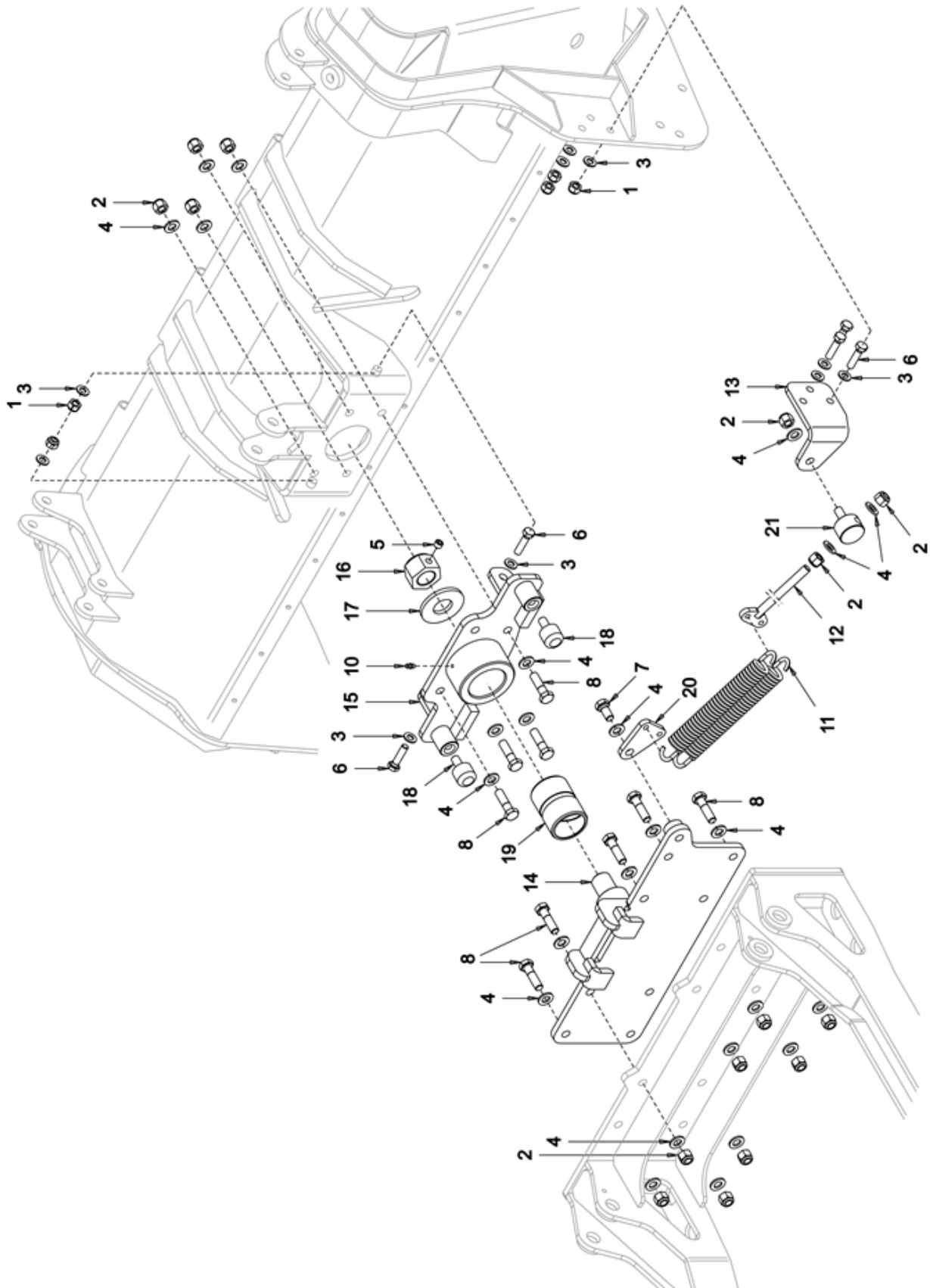
N°	Description	BT Item No.	Qty
1	FLAIL - see page 20	page20	
2	SHEET STEEL RUBBER-STOP	49175.59	2
3	OPENING PROTECTION JACK	49175.61	1
4	SELF-LOCKING NUT	49171.04	32
5	SELF-LOCKING NUT	49171.05	1
6	SELF-LOCKING NUT	49171.06	7
7	SELF-LOCKING NUT	49171.07	25
8	SELF-LOCKING NUT	49171.08	2
9	SELF-LOCKING NUT	49171.09	2
10	WASHER	49171.18	15
11	PLAIN WASHER	49171.29	47
12	PLAIN WASHER	49171.30	1
13	PLAIN WASHER	49171.31	14
14	PLAIN WASHER	49171.32	48
15	PLAIN WASHER	49171.33	4
16	PLAIN WASHER	49171.34	4
17	SCREW	49171.52	30
18	SCREW	49171.77	5
19	SCREW	49171.79	2
20	SCREW	49175.78	1
21	SCREW	49171.82	6
22	SCREW	49175.81	12
23	SCREW	49175.82	2
24	SCREW	49175.83	2
25	SCREW	49175.85	2
26	SCREW	49171.88	2
27	SCREW	49175.87	2
28	SCREW	49175.91	1
29	CONICAL CLIP	49175.92	1
30	CONICAL CLIP	49175.94	1
31	BELT	49175.95	1
32	KEY	49175.96	1
33	KEY	49175.97	1
34	STUDDING JUNCTION	49172.11	1
35	MOTOR	49176.12	1
36	GREASE NIPPLE	49173.20	2
37	SPRING	49176.14	2
38	RUBBER FLAP	49176.24	1
39	RUBBER FLAP	49176.25	1
40	PULLEY	49176.26	1
41	PULLEY	49176.89	1
42	BONDED SEAL	49173.39	5
43	SCREW	49173.75	2
44	ROTOR	49176.31	1
45	BEARING HOUSING	49176.38	1
46	BEARING HOUSING	49176.40	1
47	LATERAL BEARING HOUSING	49176.56	1
48	KEY RETAINER	49176.55	1
49	TIE ROD	49176.60	1
50	ULTRA-LIGHT HEAD	49176.61	1
51	MULCHING BAR	49176.62	1
52	SKID	49176.63	1
53	SKID	49176.64	1
54	DRIVE GUARD	49176.65	1
55	SPRING BRKT	49176.66	1

Head frame and accessories contd

N°	Description	BT Item No.	Qty
56	HEAD JOINT ENSEMBLE	49176.67	1
57	ROLLER MOUNTING KIT	49176.74	1
58	TENSIONER	49176.80	1
59	ROTATING JOINT FOR TENSIONER	49176.81	1
60	FRONTAL PROTECTIONS	49176.82	1
61	PIN FOR FRONTAL PROTECTION	49176.83	1
62	SPACER FOR ROLLER SUPPORT	49176.84	1
63	SPACER FOR ROLLER SUPPORT	49176.85	1
64	FRONTAL PROTECTION SPACER	49176.86	1
65	FRONTAL PROTECTION SPACER	49176.87	1
66	FRONT FLAP ADJUSTER	49176.59	1
67	SELF-LOCKING NUT	49171.06	1
68	PLAIN WASHER	49171.31	2
69	SCREW	49175.77	1

Page intentionally blank

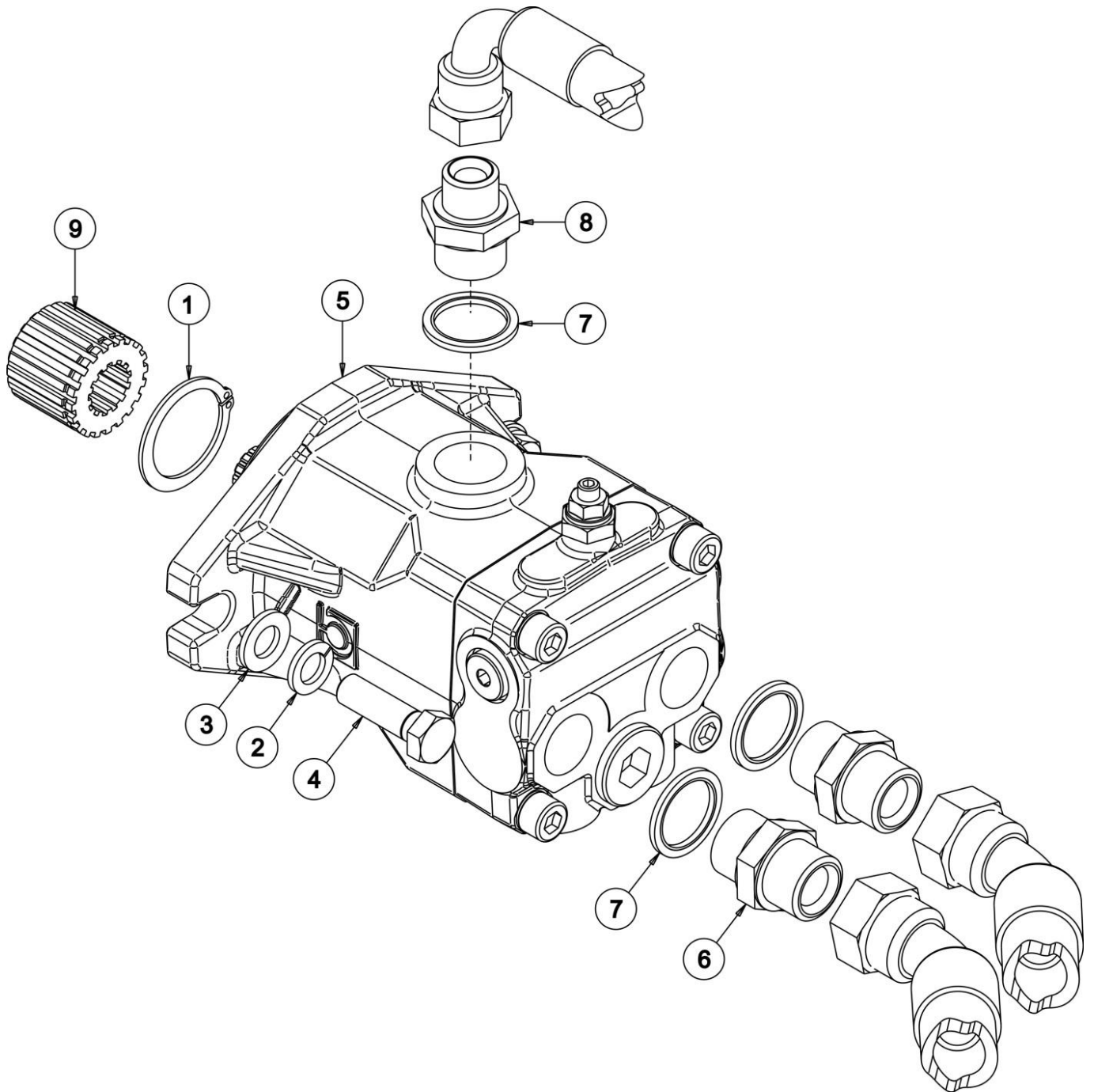
2.0 Head mount assembly (BT part No. 49176.90)



2.0 Head mount assembly (BT part No. 49176.90)

N°	Description	BT item No.	Qty
1	SELF-LOCKING NUT	49171.06	5
2	SELF-LOCKING NUT	49171.07	15
3	PLAIN WASHER	49171.31	10
4	PLAIN WASHER	49171.32	28
5	SCREW	49175.75	1
6	SCREW	49171.79	5
7	SCREW	49175.78	1
8	SCREW	49175.80	12
10	GREASE NIPPLE	49173.20	1
11	SPRING	49176.14	2
12	TIE ROD	49176.60	1
13	SPRING BRKT	49176.66	1
14	HEAD JOINT – MACHINE SIDE	49176.68	1
15	JOINT TO HEAD	49176.69	1
16	LOCKING NUT	49176.70	1
17	WASHER	49176.71	1
18	REGULABLE PIN	49176.72	2
19	BUSHING HEAD ATTACHMENT	49176.73	1
20	TENSIONER	49176.80	1
21	ROTATING JOINT FOR TENSIONER	49176.81	1

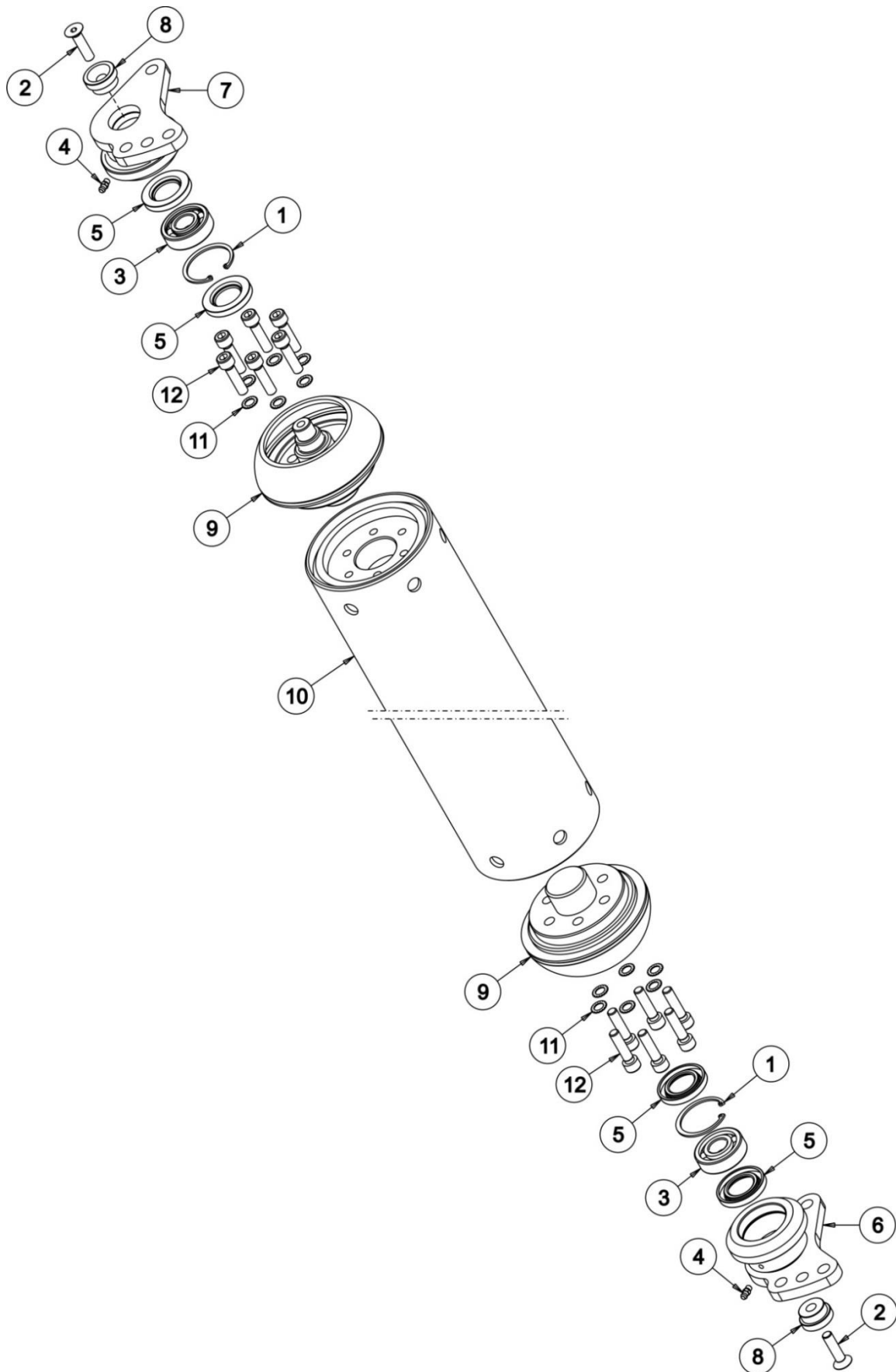
3.0 Gear motor assembly (BT No. 49176.94)



3.0 Gear motor assembly (BT No. 49176.94)

	Description	BT item No.	Qty
1	LOCK WASHER	49175.64	1
2	WASHER	49175.73	2
3	PLAIN WASHER	49171.32	2
4	SCREW	49171.82	2
5	MOTOR	49176.12	1
6	JOINT	49173.35	2
7	BONDED SEAL	49173.40	3
8	REDUCTION	49173.59	1
9	JOINT	49176.35	1

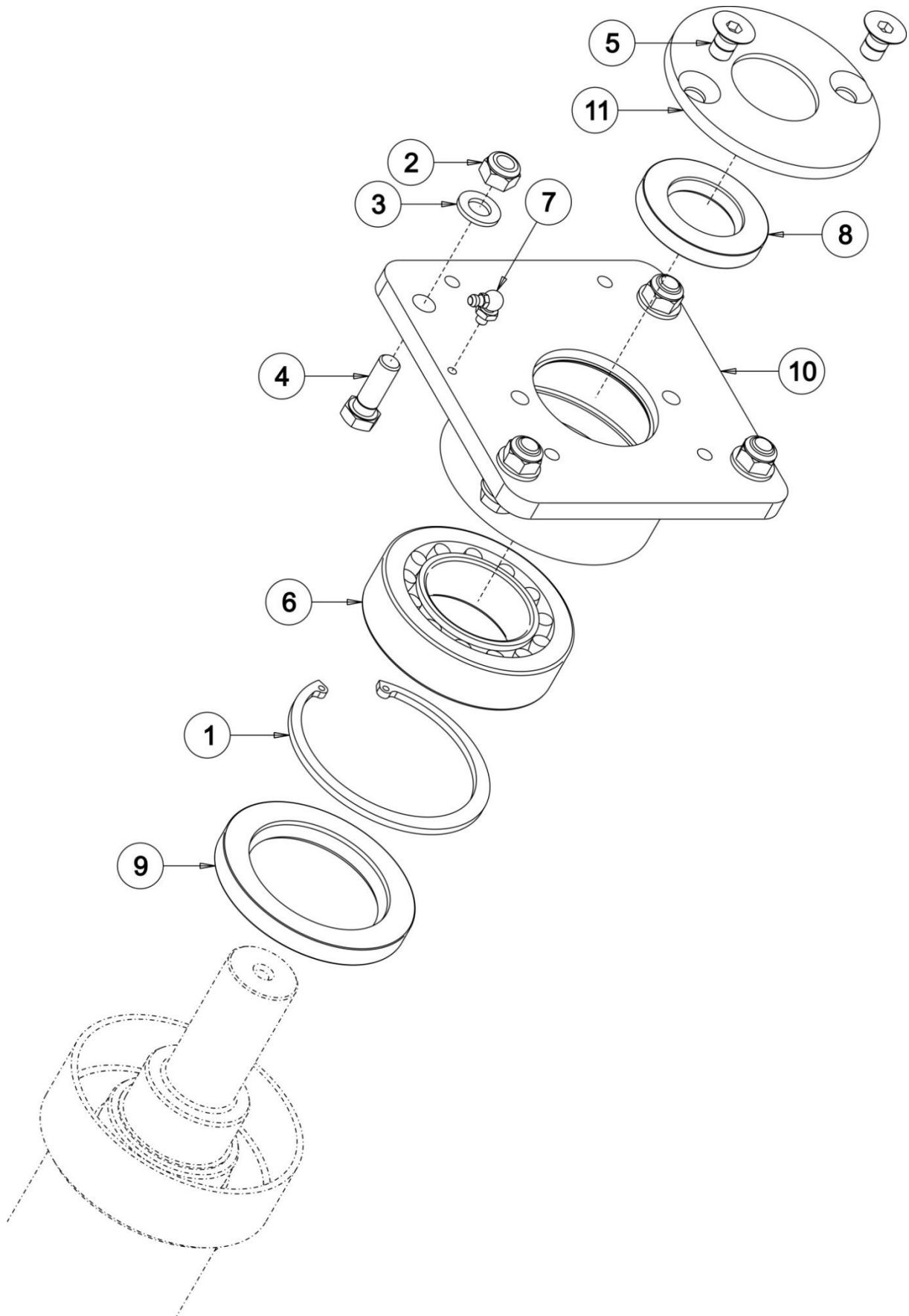
4.0 150 Flail Head roller assembly (BT No. 93.101.50)



4.0 150 Flail Head roller assembly (BT No. 93.101.50)

N°	Description	BT item No.	Qty
1	INTERNAL BLOCKING RING	49175.66	2
2	SCREW	49175.89	2
3	BEARING	49176.02	2
4	GREASE NIPPLE	49173.20	2
5	OIL SEAL	49176.16	4
6	ROLLER SUPPORT	49176.77	1
7	ROLLER SUPPORT	49176.78	1
8	STOPPING PLAIN WASHER	49176.79	2
9	ROLLER HUB	49176.76	2
10	ROLLER	49176.75	1
11	SCHNORR WASHER	49171.40	12
12	SCREW	49171.61	12

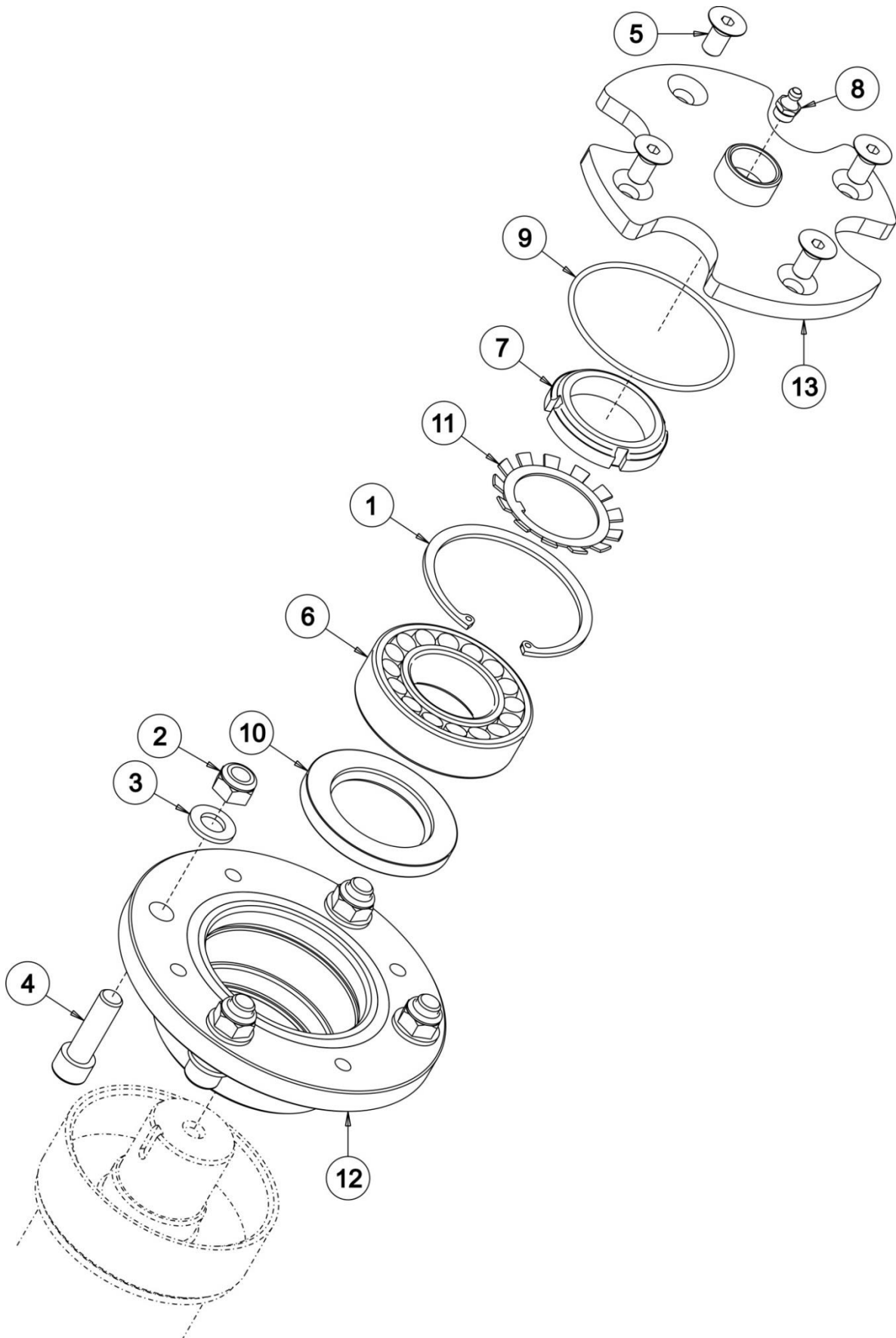
5.0 Rotor bearing assembly - Drive end (BT No. 49176.95)



5.0 Rotor bearing assembly - Drive end (BT No. 49176.95)

N°	Description	BT item No.	Qty
1	INTERNAL BLOCKING RING	49175.69	1
2	SELF-LOCKING NUT	49171.07	4
3	PLAIN WASHER	49171.32	4
4	SCREW	49171.82	4
5	SCREW	49175.90	2
6	BEARING	49176.04	1
7	GREASE NIPPLE	49173.19	1
8	OIL SEAL	49176.17	1
9	OIL SEAL	49176.20	1
10	BEARING HOUSING	49176.39	1
11	ROTOR SUPPORT FLANGE	49176.58	1

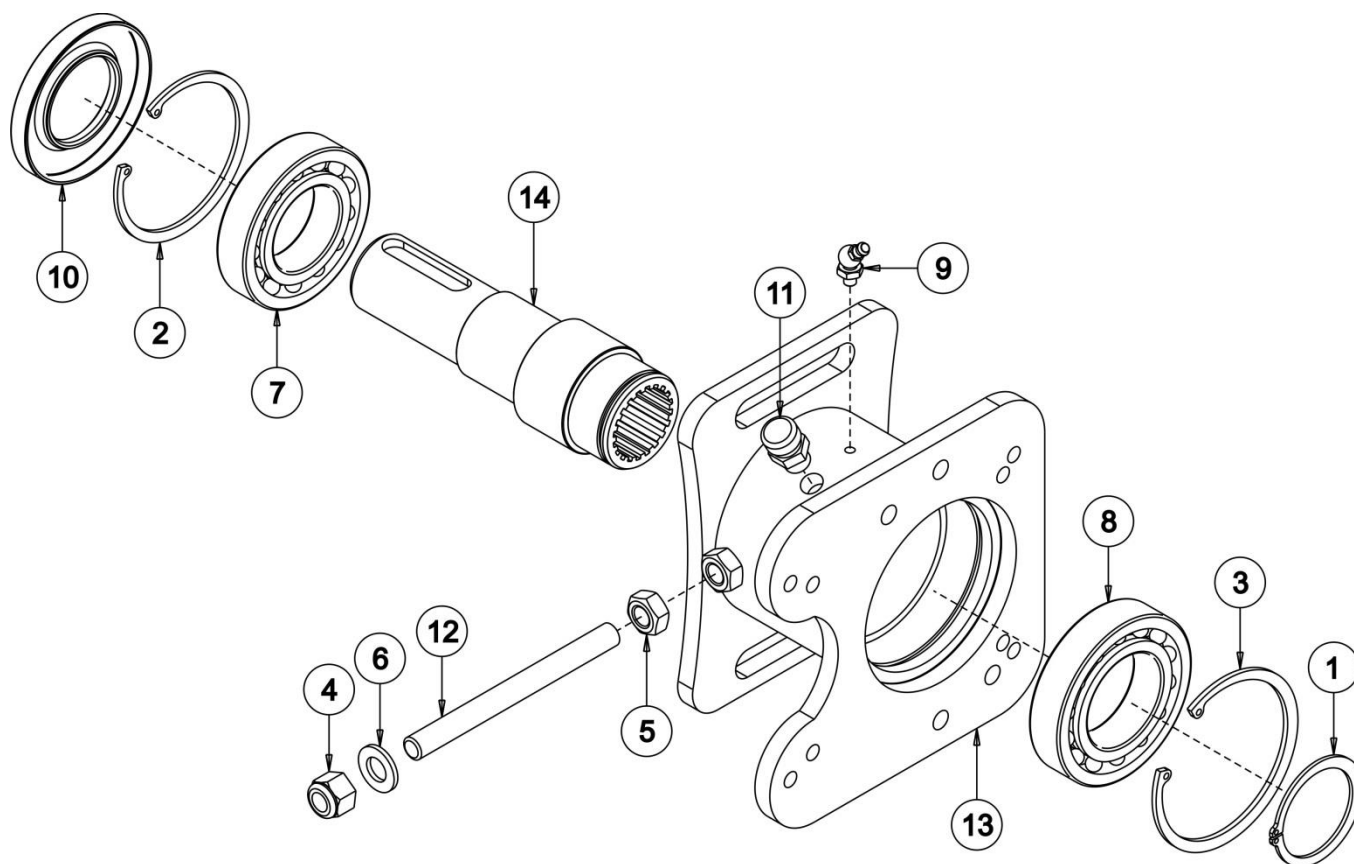
6.0 Rotor bearing assembly - Non-Drive end (BT No. 49176.96)



6.0 Rotor bearing assembly - Non-Drive end (BT No. 49176.96)

N°	Description	BT item No.	Qty
1	INTERNAL BLOCKING RING	49175.67	1
2	SELF-LOCKING NUT	49171.07	4
3	PLAIN WASHER	49171.32	4
4	SCREW	49175.76	4
5	SCREW	49175.88	4
6	BEARING	49176.03	1
7	SELF-LOCKING RING	49176.07	1
8	GREASE NIPPLE	49176.13	1
9	O-RING	49176.15	1
10	OIL SEAL	49176.19	1
11	LOCKING RING	49176.30	1
12	BEARING HOUSING	49176.41	1
13	HOUSING COVER	49176.42	1

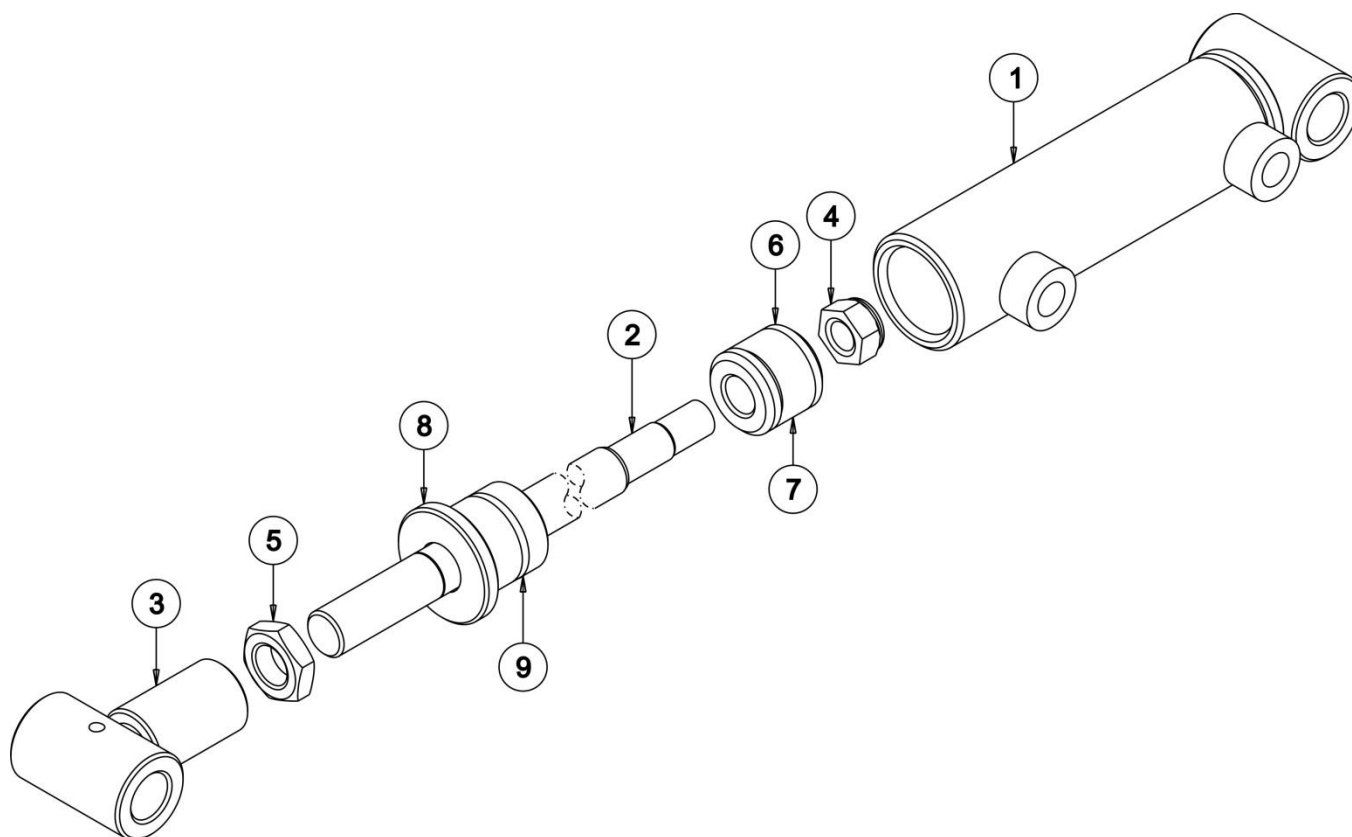
7.0 Motor drive bearing assembly (BT No. 49176.97)



7.0 Motor drive bearing assembly (BT No. 49176.97)

	Description	BT item No.	Qty
1	EXTERNAL BLOCKING RING	49175.65	1
2	INTERNAL BLOCKING RING	49175.67	1
3	INTERNAL BLOCKING RING	49175.68	1
4	SELF-LOCKING NUT	49171.07	1
5	NUT	49171.15	1
6	PLAIN WASHER	49171.32	1
7	BEARING	49175.99	1
8	BEARING	49176.01	1
9	GREASE NIPPLE	49173.18	1
10	OIL SEAL	49176.18	1
11	VENT WITH SPRING	49176.27	1
12	SUPPORT BEAM	49176.28	1
13	LATERAL BEARING HOUSING	49176.56	1
14	DRIVE SHAFT	49176.57	1

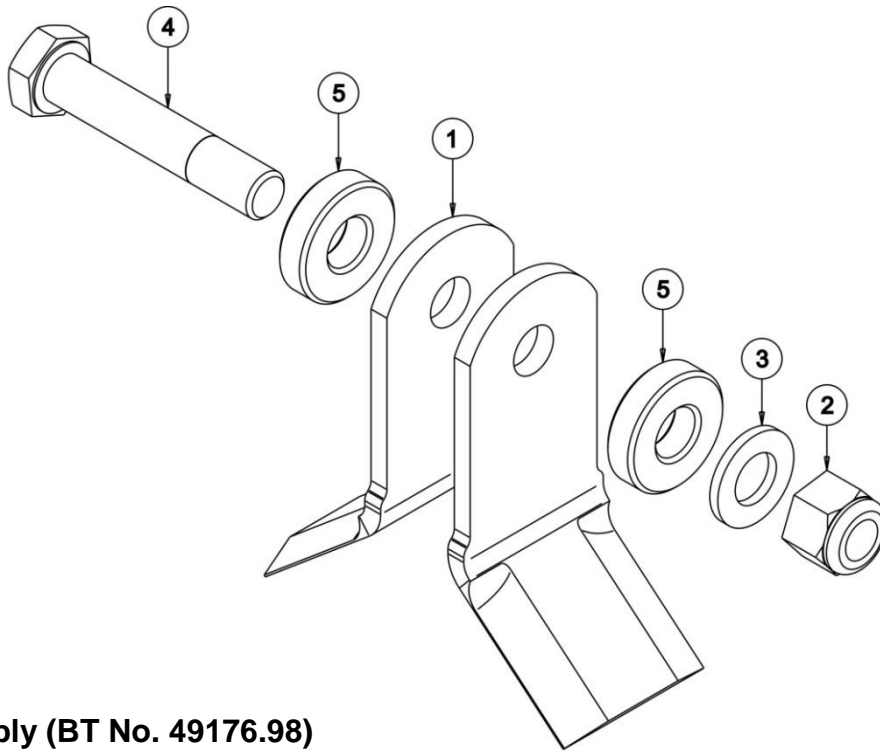
8.0 Guard lift ram assembly (BT No. 49177.01)



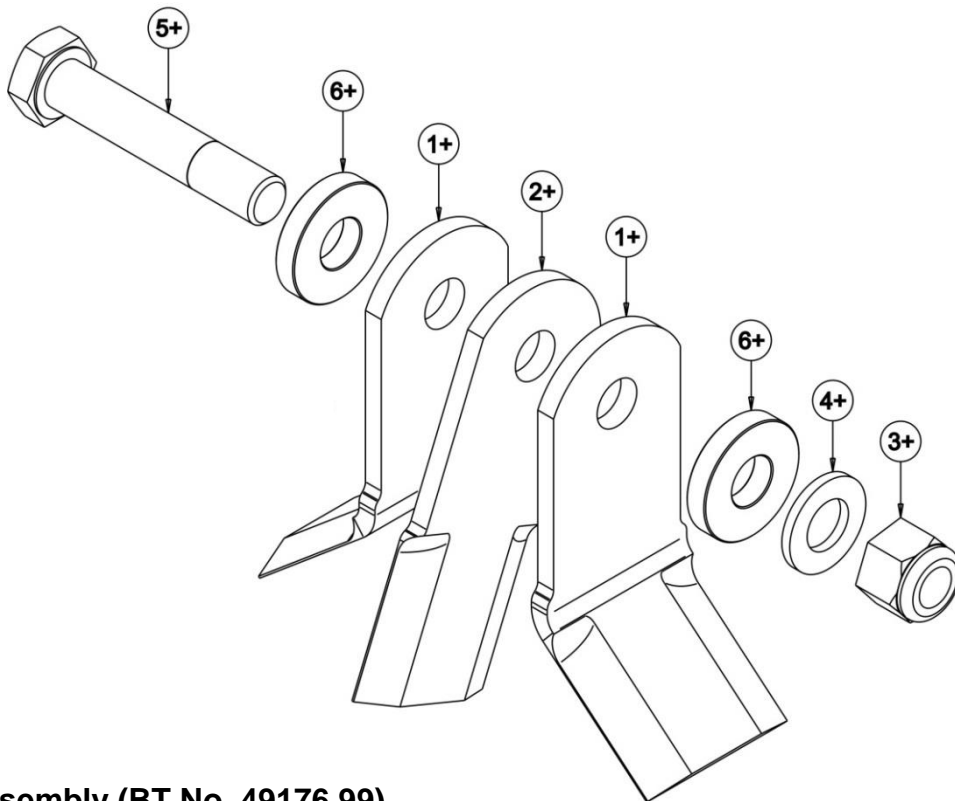
8.0 Guard lift ram assembly (BT No. 49177.01)

N°	Description	BT item No.	Qty
1	CASING	49175.62	1
2	STEM	49175.63	1
3	TERMINAL ADJUSTABLE	49175.60	1
4	SELF-LOCKING NUT	49171.07	1
5	NUT	49175.72	1
6	PISTON	49176.21	1
7	SEAL KIT	49176.22	1
8	HEAD	49176.43	1
9	SEAL KIT	49176.44	1

9.0 Blade assemblies



BB Flail assembly (BT No. 49176.98)



BB+1 Flail assembly (BT No. 49176.99)

9.0 Blade assemblies

N°	Description	BT Item No.	Qty
1	FLAIL	49175.56	56
2	SELF-LOCKING NUT	49171.07	28
3	PLAIN WASHER	49171.32	28
4	SCREW	49175.84	28
5	SPACER	49176.05	56
1+	FLAIL	49175.56	56
2+	KNIFE FLAIL	49175.57	28
3+	SELF-LOCKING NUT	49171.07	28
4+	PLAIN WASHER	49171.32	28
5+	SCREW	49175.84	28
6+	SPACER	49176.06	56