



FLAIL-BOT implement
120 SHREDDER 40hp
(93.101.05)
PARTS MANUAL PM 752

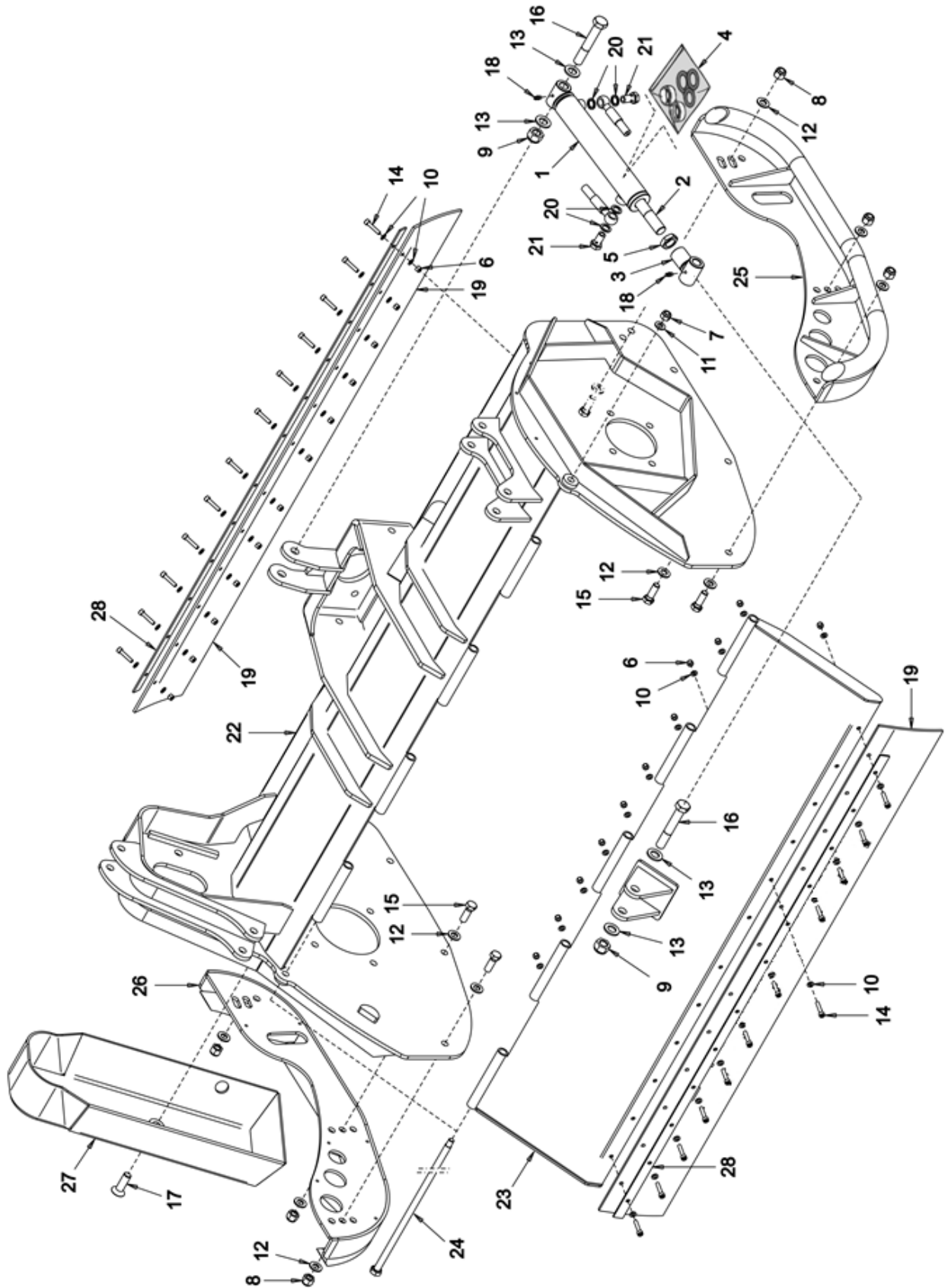
BOMFORD TURNER LTD
Station Road, Salford Priors
Near Evesham, Worcestershire, WR11 8SW
Tel. 01789 773383 Fax. 01789 773238
Online: www.bomford-turner.com
Email: info@bomford-turner.com

Page intentionally blank

Contents:

1. Head frame and accessories	page 4
2. Motor and Transmission	page 6
3. Head Mount assembly	page 8
4. Push bar assembly	page 10
5. Light Rotor assembly	page 12
6. 120 Shredder Roller assembly	page 14

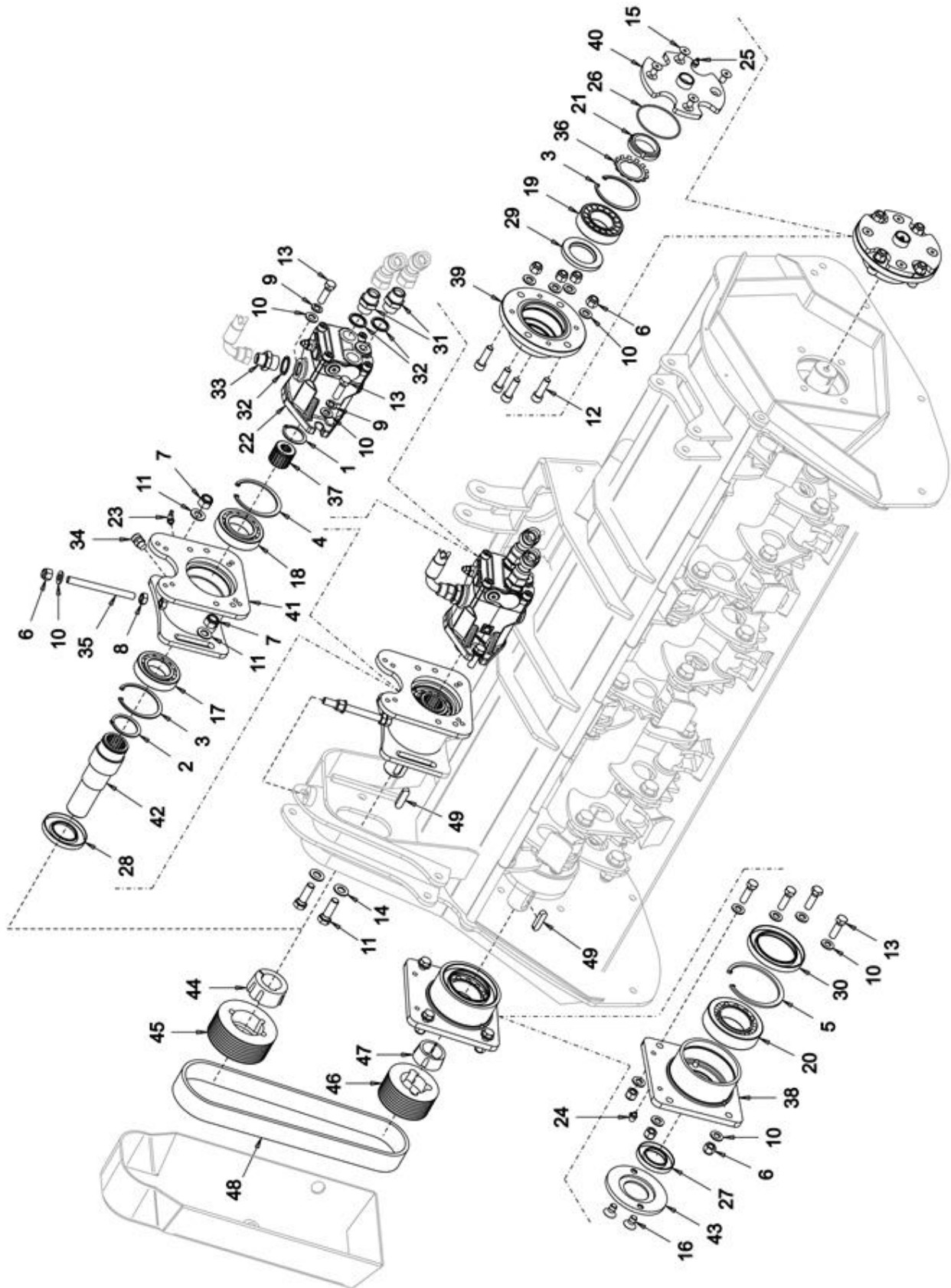
1.0 Head frame and accessories



1.0 Head frame and accessories

N°	Description	BT Item no.	Qty
1	CASING	49176.09	1
2	STEM	49176.10	1
3	HEAD	49176.11	1
4	SEAL KIT	49176.08	1
5	NUT	49175.70	1
6	SELF-LOCKING NUT	49171.04	24
7	SELF-LOCKING NUT	49171.06	1
8	SELF-LOCKING NUT	49171.07	6
9	SELF-LOCKING NUT	49171.09	2
10	PLAIN WASHER	49171.29	48
11	PLAIN WASHER	49171.31	1
12	PLAIN WASHER	49171.32	12
13	PLAIN WASHER	49171.34	4
14	SCREW	49171.52	24
15	SCREW	49175.79	6
16	SCREW	49171.88	2
17	SCREW	49175.91	1
18	GREASE NIPPLE	49173.20	2
19	RUBBER FLAP	49176.23	2
20	BONDED SEAL	49173.39	4
21	SCREW	49173.75	2
22	COWL	49176.45	1
23	FRONT GUARD	49176.46	1
24	HINGE PIN	49176.47	1
25	SKID	49176.50	1
26	SKID	49176.51	1
27	DRIVE GUARD	49176.65	1
28	METAL SHEET FOR RUBBER	49175.58	2

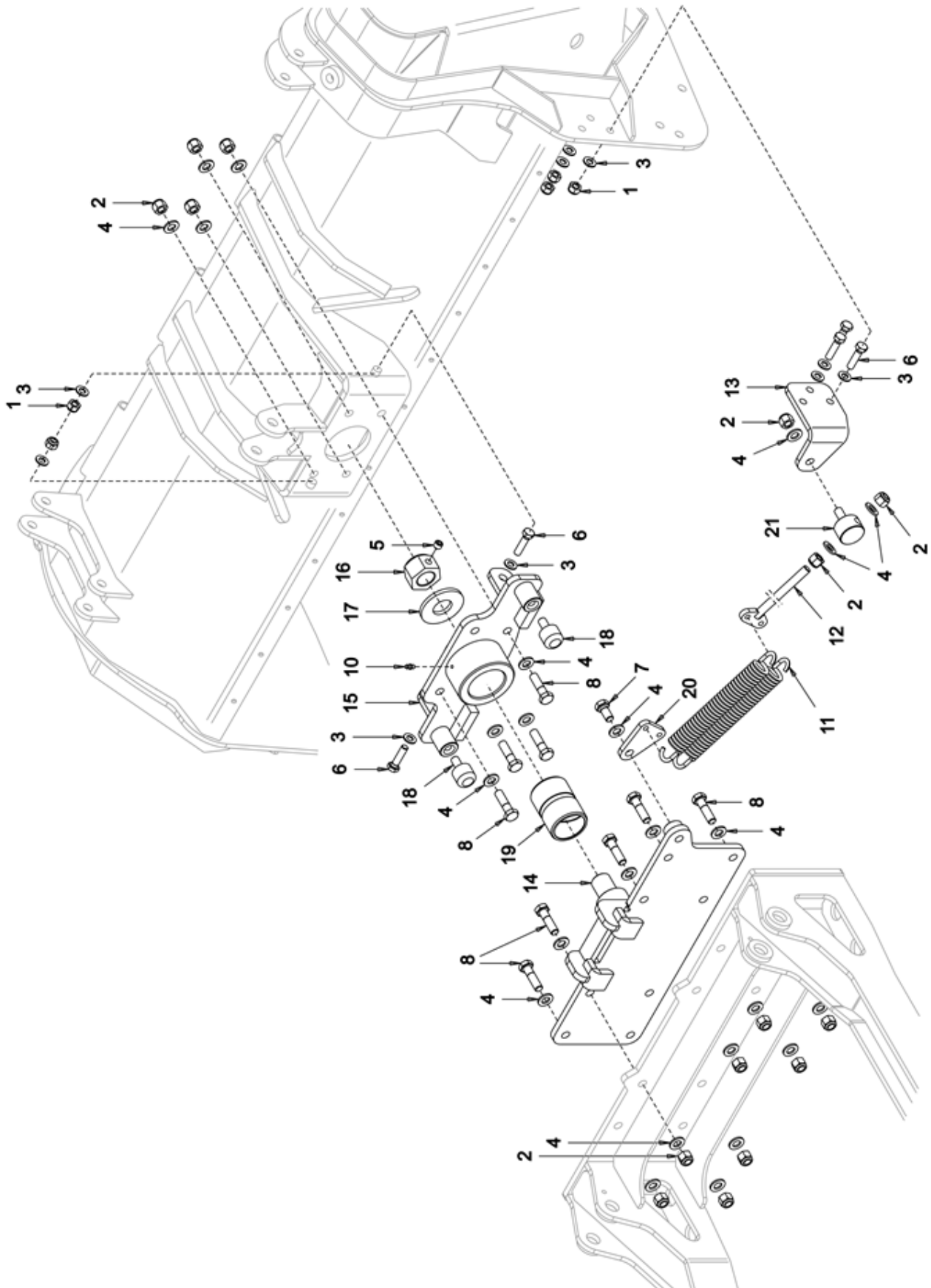
2.0 Motor and Transmission



2.0 Motor and Transmission

N°	Description	BT item No.	Qty
1	EXTERNAL LOCK WASHER	49175.64	1
2	EXTERNAL LOCK WASHER	49175.65	1
3	INTERNAL LOCK WASHER	49175.67	2
4	INTERNAL LOCK WASHER	49175.68	1
5	INTERNAL LOCK WASHER	49175.69	1
6	SELF-LOCKING NUT	49171.07	9
7	SELF-LOCKING NUT	49171.08	4
8	NUT	49171.15	1
9	WASHER	49175.73	2
10	PLAIN WASHER	49171.32	15
11	PLAIN WASHER	49171.33	4
12	SCREW	49175.76	4
13	SCREW	49171.82	6
14	SCREW	49175.85	2
15	SCREW	49175.88	4
16	SCREW	49175.90	2
17	BEARING	49175.99	1
18	BEARING	49176.01	1
19	BEARING	49176.03	1
20	BEARING	49176.04	1
21	SELF-LOCKING RING	49176.07	1
22	MOTOR	49176.12	1
23	GREASE NIPPLE	49173.18	1
24	GREASE NIPPLE	49173.19	1
25	GREASE NIPPLE	49176.13	1
26	O-RING	49176.15	1
27	OIL SEAL	49176.17	1
28	OIL SEAL	49176.18	1
29	OIL SEAL	49176.19	1
30	OIL SEAL	49176.20	1
31	JOINT	49173.35	2
32	BONDED SEAL	49173.40	3
33	REDUCTION	49173.59	1
34	VENT	49176.27	1
35	SUPPORT BEAM	49176.28	1
36	LOCKING RING	49176.30	1
37	JOINT	49176.35	1
38	BEARING HOUSING	49176.39	1
39	BEARING HOUSING	49176.41	1
40	HOUSING COVER	49176.42	1
41	LATERAL BEARING HOUSING	49176.56	1
42	DRIVE SHAFT	49176.57	1
43	ROTOR SUPPORT FLANGE	49176.58	1
44	CONICAL CLIP	49175.94	1
45	PULLEY	49176.89	1
46	PULLEY	49176.26	1
47	CONICAL CLIP	49175.93	1
48	BELT	49175.95	1
49	KEY	49175.96	2

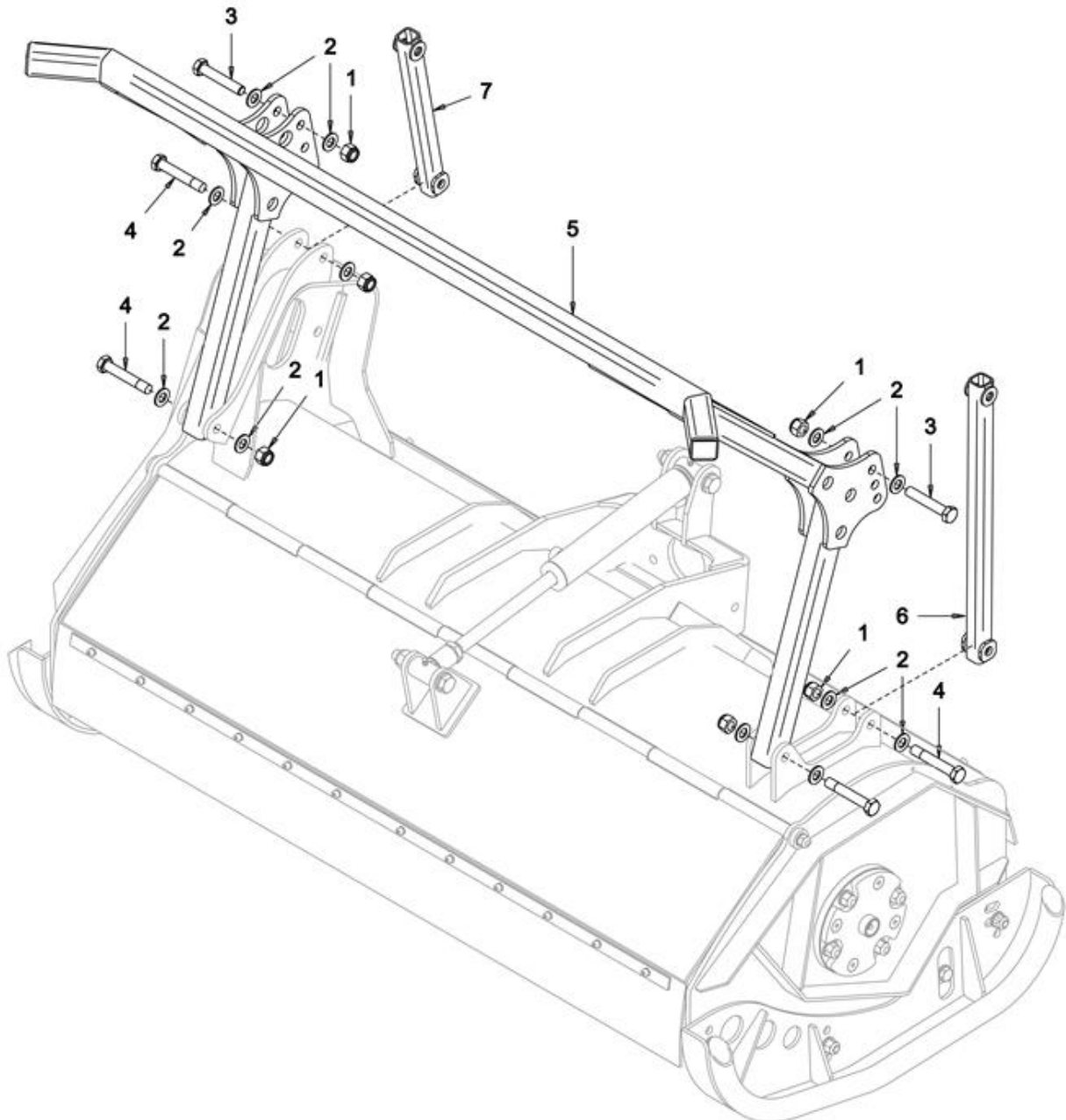
3.0 Head mount assembly (BT part No. 49176.90)



3.0 Head mount assembly (BT part No. 49176.90)

N°	Description	BT item No.	Qty
1	SELF-LOCKING NUT	49171.06	5
2	SELF-LOCKING NUT	49171.07	15
3	PLAIN WASHER	49171.31	10
4	PLAIN WASHER	49171.32	28
5	SCREW	49175.75	1
6	SCREW	49171.79	5
7	SCREW	49175.78	1
8	SCREW	49175.80	12
10	GREASE NIPPLE	49173.20	1
11	SPRING	49176.14	2
12	TIE ROD	49176.60	1
13	SPRING BRKT	49176.66	1
14	HEAD JOINT – MACHINE SIDE	49176.68	1
15	JOINT TO HEAD	49176.69	1
16	LOCKING NUT	49176.70	1
17	WASHER	49176.71	1
18	REGULABLE PIN	49176.72	2
19	BUSHING HEAD ATTACHMENT	49176.73	1
20	TENSIONER	49176.80	1
21	ROTATING JOINT FOR TENSIONER	49176.81	1

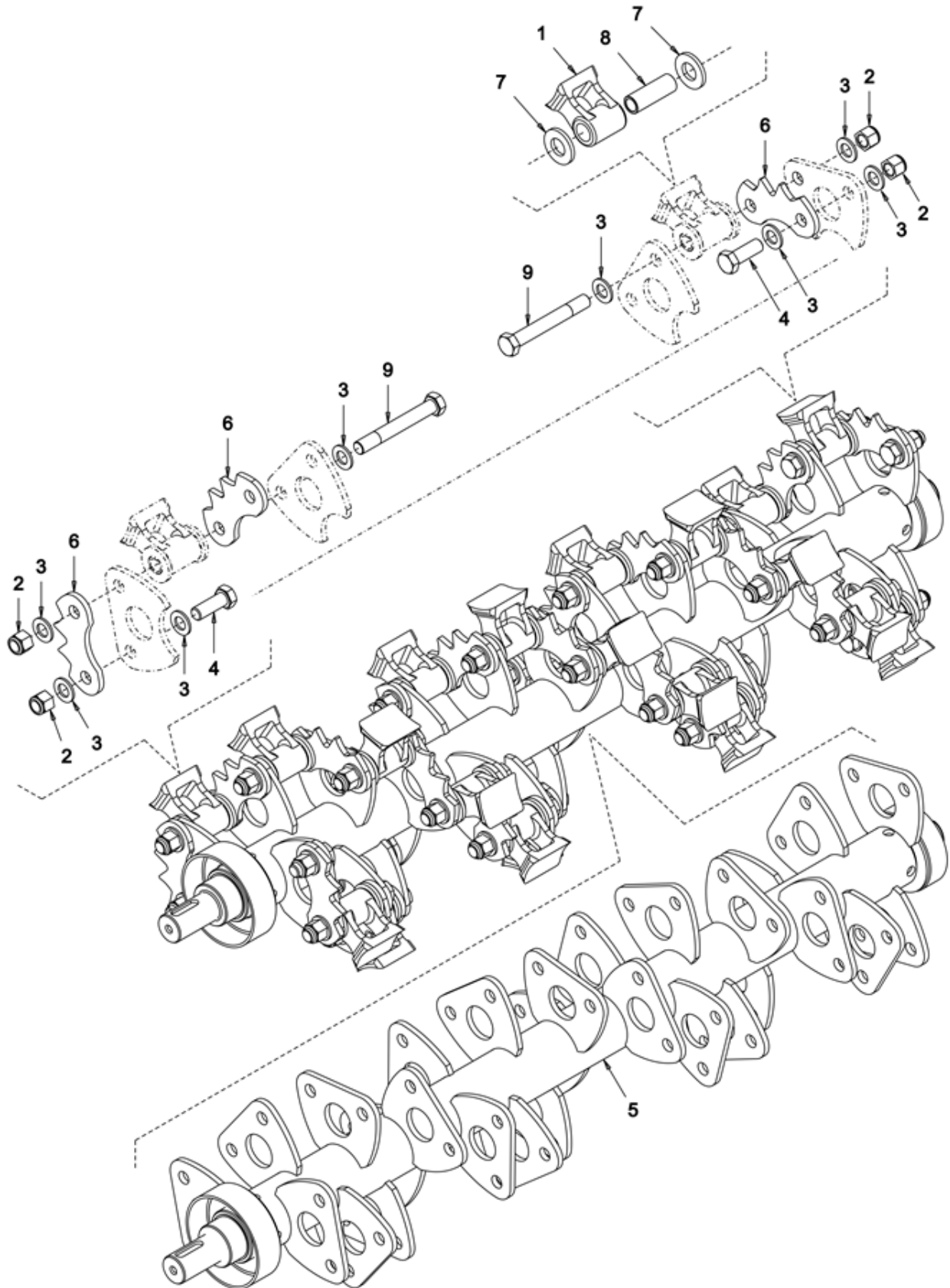
4.0 Push bar assembly (BT part No. 49176.91)



4.0 Push bar assembly (BT part No. 49176.91)

N°	Description	BT item No.	Qty
1	SELF-LOCKING NUT	49171.08	6
2	PLAIN WASHER	49171.33	12
3	SCREW	49175.86	2
4	SCREW	49176.37	4
5	PUSH BAR	49176.52	1
6	TIE ROD	49176.53	1
7	TIE ROD	49176.54	1

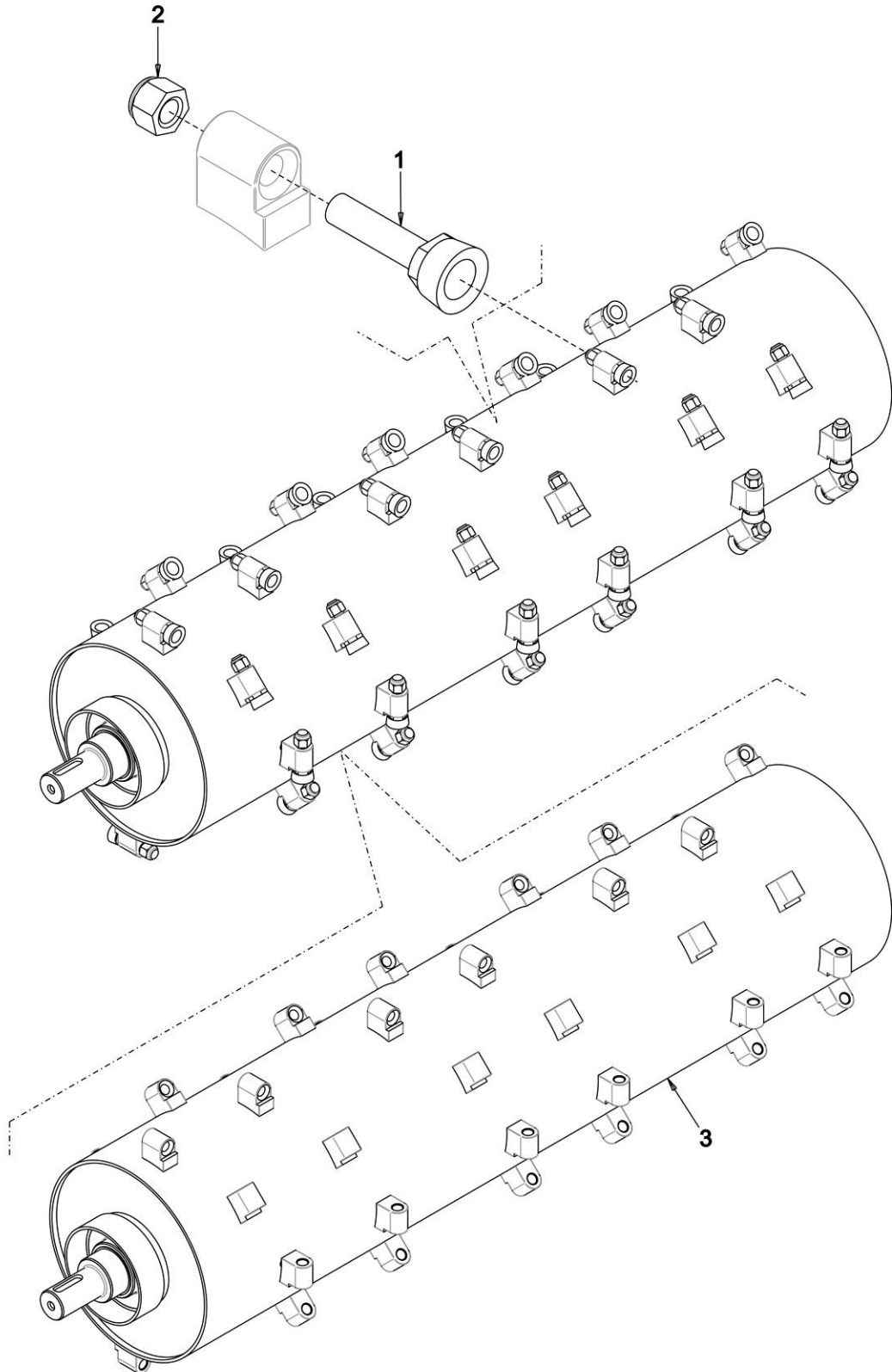
5.0 Light Rotor assembly (BT part No. 49176.92)



5.0 Light Rotor assembly (BT part No. 49176.92)

N°	Description	BT item No.	Qty
1	FLAIL	49176.88	26
2	SELF-LOCKING NUT	49175.71	30
3	PLAIN WASHER	49175.74	60
4	SCREW	49175.86	4
5	ROTOR	49176.29	1
6	PLATE	49176.32	28
7	SPACER	49176.33	52
8	SPACER	49176.34	26
9	PIN	49176.36	26

FORESTRY ROTOR – FIXED HAMMERS (RLTLPF 120)



FLAILBOT – parts manual

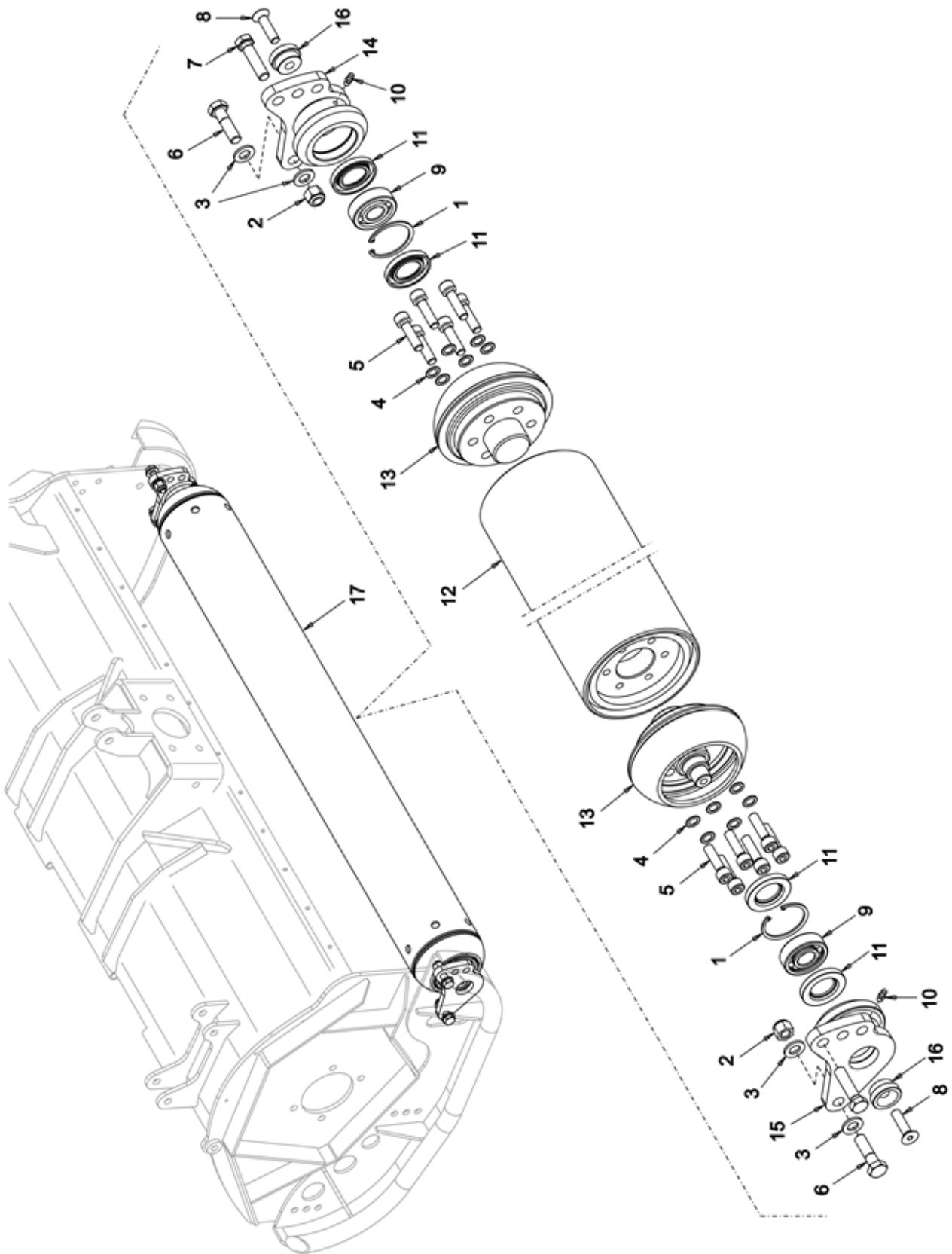


Table n°: U-02.3

FORESTRY ROTOR – FIXED HAMMERS (RLTLPF 120)

N°	Description	Part number	Qty.	Ref. Tab.
1	CUTTING EDGE ROUND HEAD WITH PLATE IN WIDIA	024-PW	48	
2	SELF-LOCKING NUT 1/2"X13 (UNC)	BULDAZAUTN000120PG	48	
3	FORESTRY ROTOR FOR 024-PW INSERTS	RLTLPF 120 CM001	1	

6.0 120 Shredder Roller assembly (BT No. 93.101.51)



6.0 120 Shredder Roller assembly (BT No. 93.101.51)

N°	Description	BT item No.	Qty
1	INTERNAL BLOCKING RING	49175.66	2
2	SELF-LOCKING NUT	49171.07	2
3	PLAIN WASHER	49171.32	4
4	SCHNORR WASHER	49171.40	12
5	SCREW	49171.61	12
6	SCREW	49175.80	2
7	SCREW	49175.82	2
8	SCREW	49175.89	2
9	BEARING	49176.02	2
10	GREASE NIPPLE	49173.20	2
11	OIL SEAL	49176.16	4
12	ROLLER	49176.49	1
13	ROLLER HUB	49176.76	2
14	ROLLER SUPPORT	49176.77	1
15	ROLLER SUPPORT	49176.78	1
16	STOPPING PLAIN WASHER	49176.79	2
17	ROLLER ASSEMBLY	49176.48	1