



**SELF-PROPELLED REMOTE-CONTROLLED TOOL
CARRIER WITH ROTOR CUTTER**

FLAILBOT 40

**PARTS MANUAL 751
93.100.41**

BOMFORD TURNER LTD
Station Road, Salford Priors
Near Evesham, Worcestershire, WR11 8SW
Tel. 01789 773383 Fax. 01789 773238
Online: www.bomford-turner.com
Email: info@bomford-turner.com

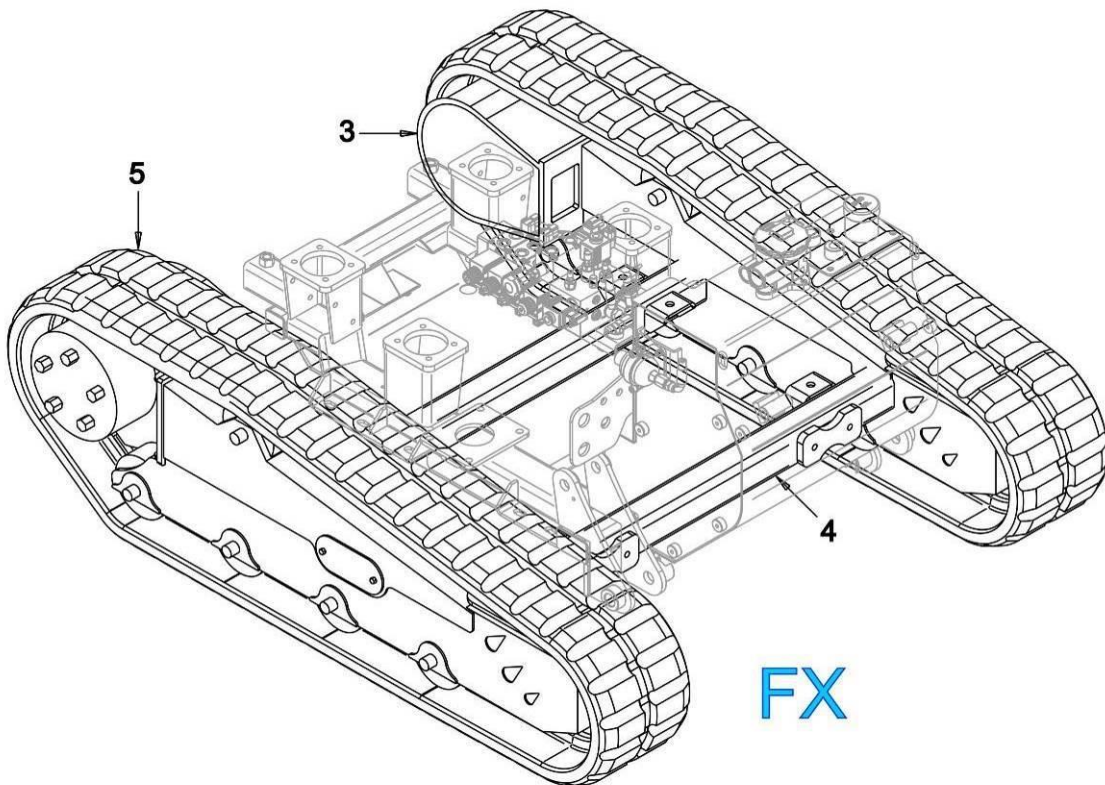
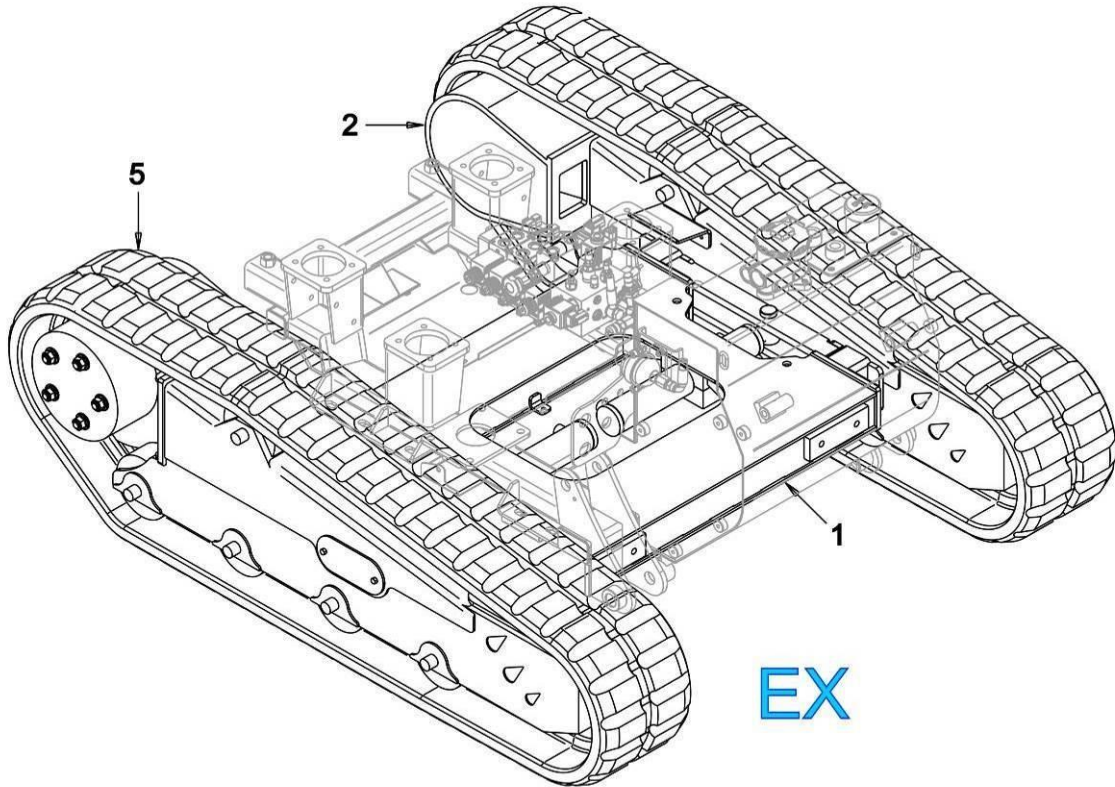
Contents:

1. Tracked truck	page 4-5
2. Removable tracked truck with plant	page 6-7
3. Truck removable spars	page 8-9
4. Tracked truck with fixed track and plant	page 10-11
5. Tracked truck with fixed track	page 12-13
6. Rubber track	page 14-15
7. Drains and drainages	page 16-17
8. Tracks and head usage	page 18-19
9. Service usage	page 20-21
10. Lift with plant	page 22-23
11. Base frame with roll-bar	page 24-25
12. Fuel tank	page 26-27
13. Oil tank	page 28-30
14. Pump-bell assembly	page 31-32
15. Engine accessories	page 33-34
16. Heat exchanger and sump	page 35-36
17. Engine and components	page 37-38
18. Front hood	page 38-39
19. Side hoods	page 40-41
20. Rear hood	page 42-43
21. Heat exchanger hood	page 44-45
22. Electrical system components	page 46-47
23. Electrical system wiring	page 48-49
24. Radio control and accessories	page 50-51
25. Head supply pipes	page 52-53
26. Drum winch	page 54-55

1.0 TRACKED TRUCK

N°	Description	BT Item no.	Qty
1	TRACKED TRUCK	49173.87	1
2	TRUCK REMOVABLE SPARS	49173.88	1
3	TRACKED TRUCK WITH FIXED TRACK	49173.89	1
4	TRACKED TRUCK WITH FIXED TRACK	49173.90	1
5	RUBBER TRACK	49173.91	2

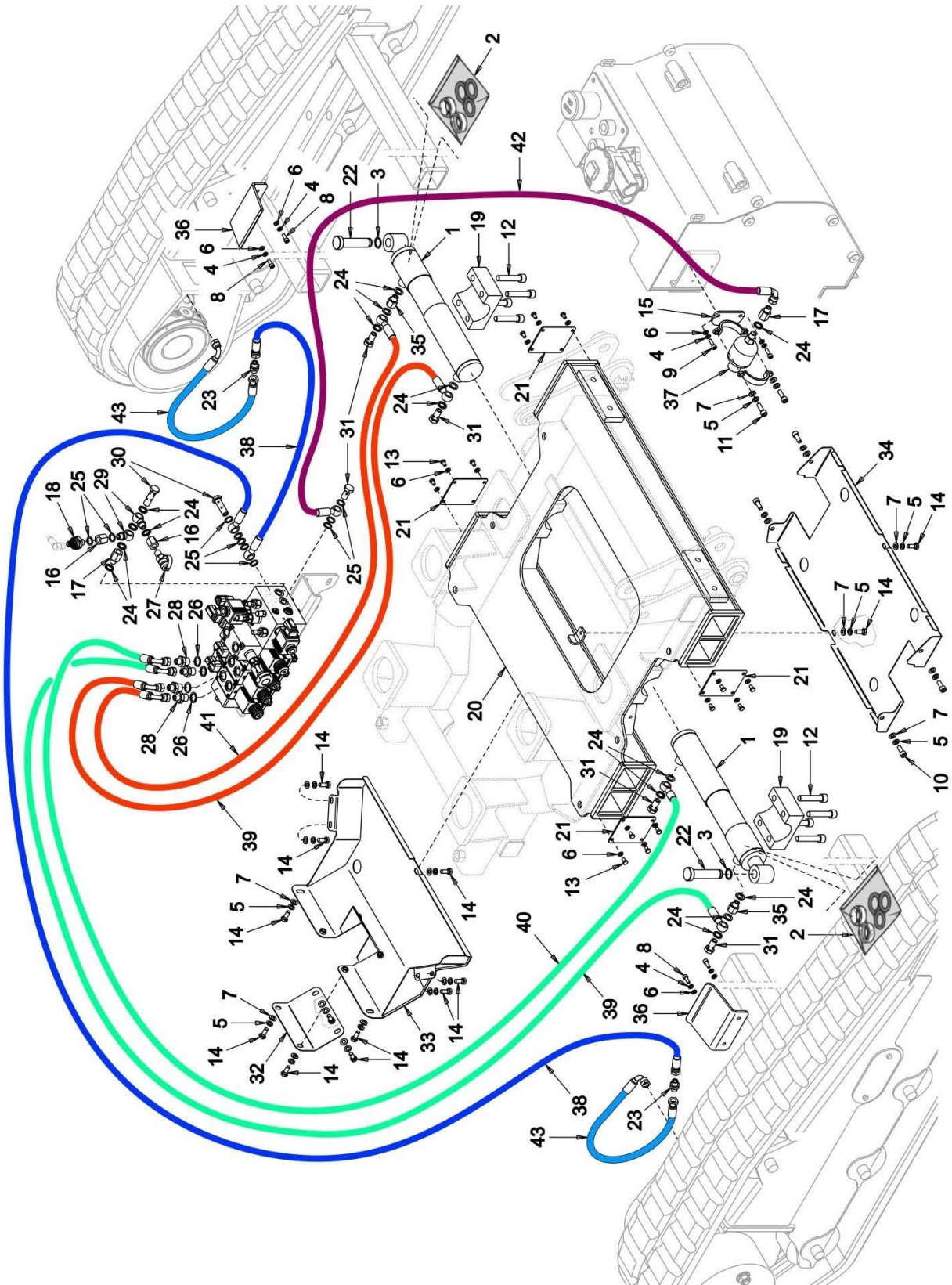
1.0 TRACKED TRUCK



2.0 REMOVABLE TRACKED TRUCK WITH PLANT

N°	Description	BT Item No.	Qty
1	JACK	49172.15	2
2	JACK SEAL KIT	49172.14	2
3	STOP RING	49171.02	2
4	WASHER	49171.20	6
5	WASHER PLAIN	49171.21	19
6	WASHER PLAIN	49171.29	22
7	WASHER	49171.30	20
8	SCREW	49171.49	4
9	SCREW	49171.50	2
10	SCREW	49171.55	4
11	SCREW	49171.56	2
12	SCREW	49171.63	8
13	SCREW	49171.65	16
14	SCREW	49171.69	14
15	FIXING COLLAR	49171.94	1
16	STUDDING JUNCTION	49172.09	2
17	STUDDING JUNCTION	49172.11	2
18	PRESSURE SENSOR	49172.37	1
19	STOP COLLAR	49172.84	2
20	CENTRAL STRUCTURE	49172.92	1
21	SIDE CLOSURE	49172.93	4
22	PLUG	49173.07	2
23	JOINT	49173.33	2
24	BONDED TRIMMING	49173.39	16
25	COPPER TRIMMING	49173.44	10
26	COPPER TRIMMING	49173.47	4
27	PRESSURE TEST	49173.49	1
28	REDUCTION	49173.60	4
29	EYE FITTING	49173.63	2
30	SCREW	49173.72	2
31	SCREW	49173.75	5
32	SUMP COVER	49174.84	1
33	BOTTOM SHELL	49174.99	1
34	UNDERBODY SHEET	49175.01	1
35	LOWERED STUDDING JUNCTION	49175.02	2
36	BRACKET	49175.32	2
37	ACCUMULATOR	49171.01	1
38	OIL PIPE	49174.38	2
39	OIL PIPE	49174.33	2
40	OIL PIPE	49174.32	1
41	OIL PIPE	49174.29	1
42	OIL PIPE	49174.31	1
43	OIL PIPE	49174.36	2

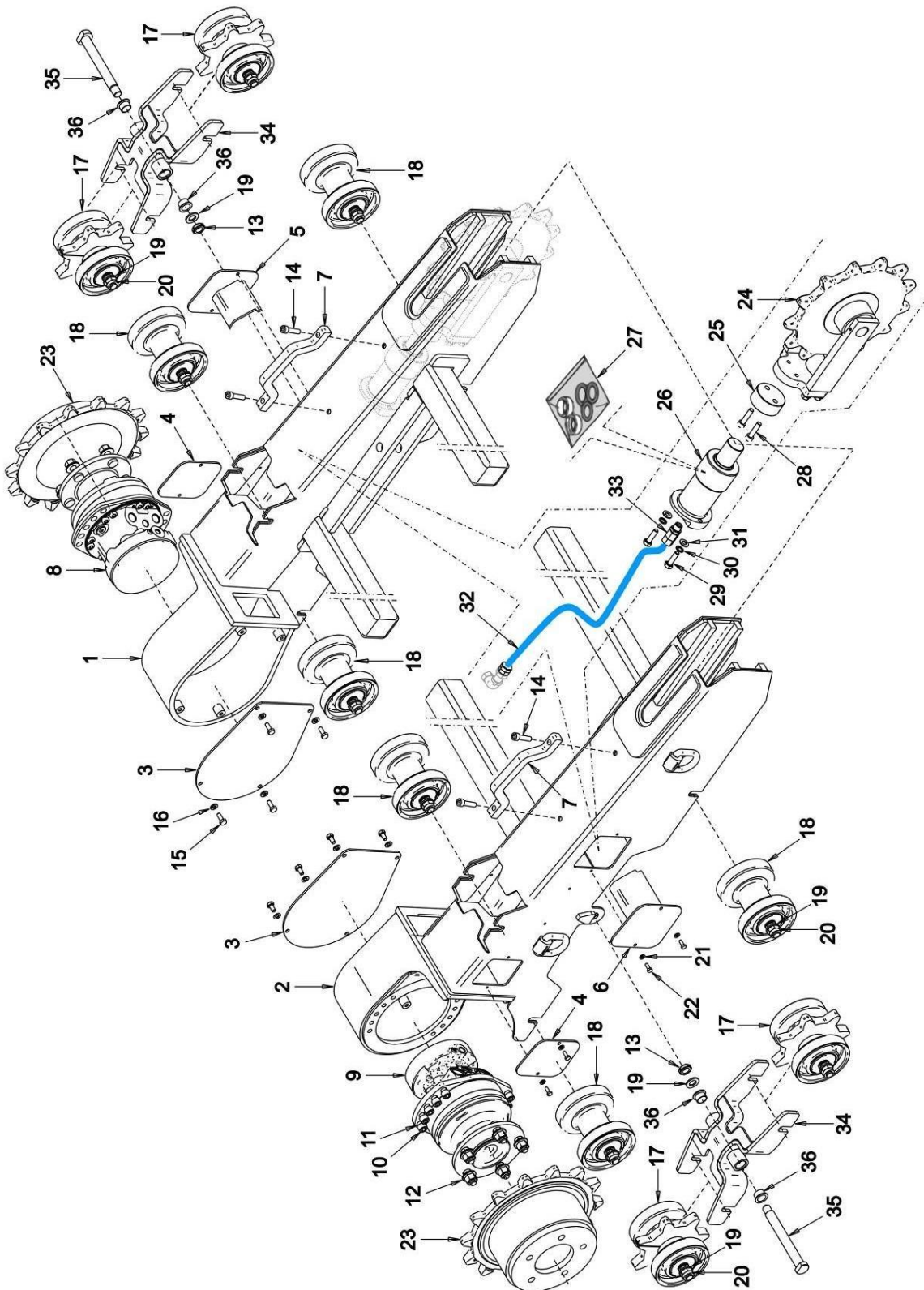
2.0 REMOVABLE TRACKED TRUCK WITH PLANT



3.0 TRUCK REMOVABLE SPARS

N°	Description	BT item No.	Qty
1	RIGHT SPAR	49172.90	1
2	LEFT SPAR	49172.91	1
3	BOX CLOSING	49172.89	2
4	SIDE CLOSURE	49172.87	2
5	RIGHT SIDE CLOSURE	49172.85	1
6	LEFT SIDE CLOSURE	49172.86	1
7	TOP TRACK SLEDGE	49172.88	2
8	PISTON ENGINE	49173.22	1
9	PISTON ENGINE	49173.23	1
10	SCREW	49171.62	20
11	SCHNORR WASHER	49171.41	20
12	NUT	49171.11	10
13	FERRULE	49172.08	2
14	SCREW	49171.78	4
15	SCREW	49171.68	8
16	PLAIN WASHER	49171.30	8
17	ROLLER	49173.03	4
18	ROLLER	49173.03	6
19	PLAIN WASHER	49171.34	22
20	SELF-LOCKING NUT	49171.09	20
21	PLAIN WASHER	49171.29	8
22	SCREW	49171.66	8
23	DRIVING WHEEL	49173.04	2
24	GEAR	49172.97	2
25	SPACER	49172.98	2
26	JACK	49172.99	2
27	TRIMMING KIT	49173.01	2
28	SCREW	49171.61	4
29	SCREW	49171.79	4
30	SCHNORR WASHER	49171.40	4
31	PLAIN WASHER	49171.31	4
32	OIL PIPE	49173.05	2
33	FITTING	49173.06	2
34	ROLLERS SUPPORT	49172.96	2
35	PIN	49173.02	2
36	BUSHING	49172.95	4

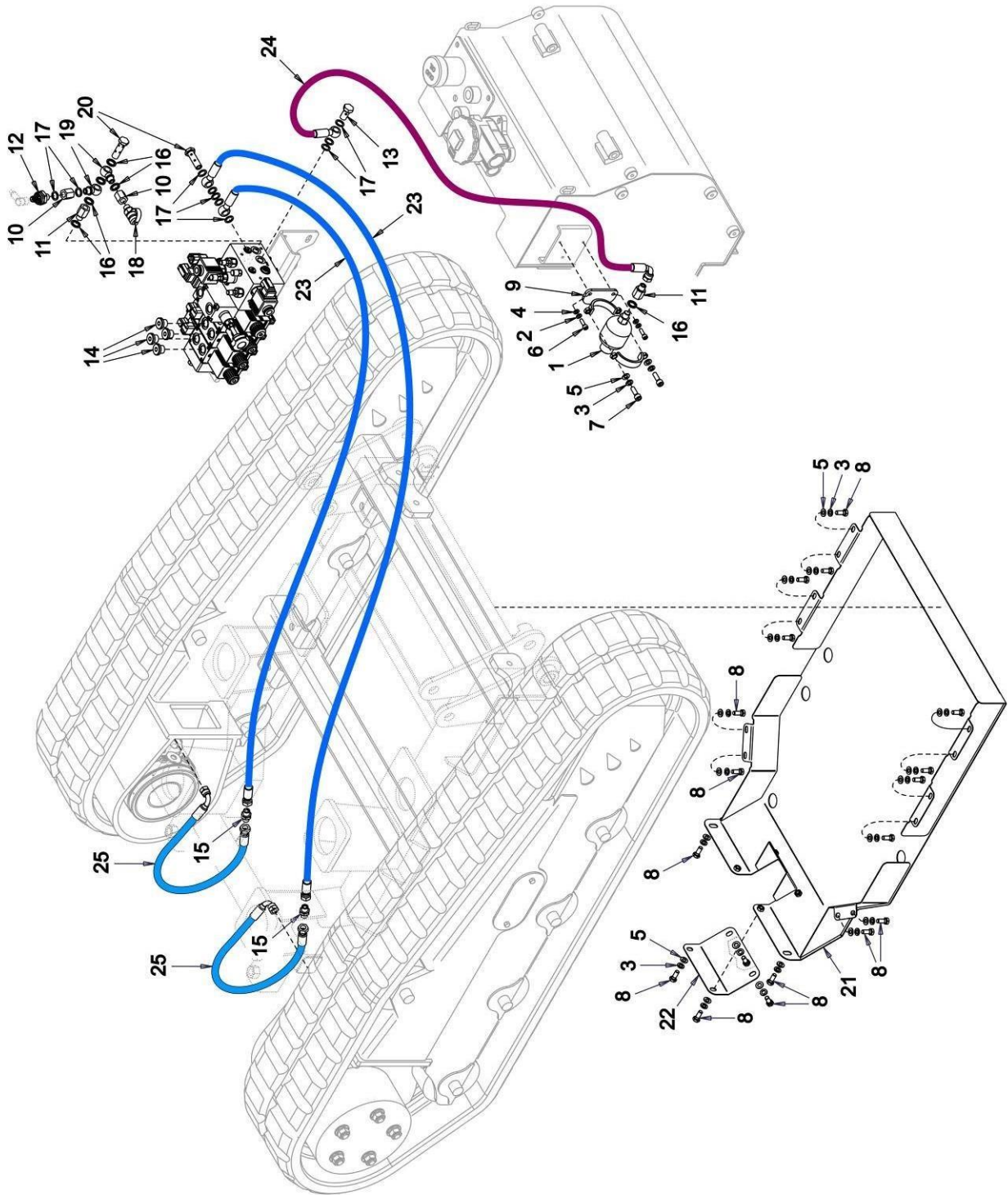
3.0 TRUCK REMOVABLE SPARS



4.0 TRACKED TRUCK WITH FIXED TRACK AND PLANT

N°	Description	BT item No.	Qty
1	ACCUMULATOR	49171.01	1
2	WASHER	49171.20	2
3	WASHER	49171.21	19
4	PLAIN WASHER	49171.29	2
5	PLAIN WASHER	49171.30	20
6	SCREW	49171.50	2
7	SCREW	49171.56	2
8	SCREW	49171.69	18
9	FIXING COLLAR	49171.94	1
10	STUDDING JUNCTION	49172.09	2
11	STUDDING JUNCTION	49172.11	2
12	PRESSURE SENSOR	49172.37	1
13	SCREW	49173.75	1
14	STOPPER	49173.71	4
15	JOINT	49173.33	2
16	BONDED TRIMMING	49173.39	6
17	COPPER TRIMMING	49173.44	10
18	PRESSURE TEST	49173.49	1
19	EYE FITTING	49173.63	2
20	SCREW	49173.72	2
21	BOTTOM SHELL	49174.71	1
22	SUMP COVER	49174.84	1
23	OIL PIPE	49174.38	2
24	OIL PIPE	49174.31	1
25	OIL PIPE	49174.36	2

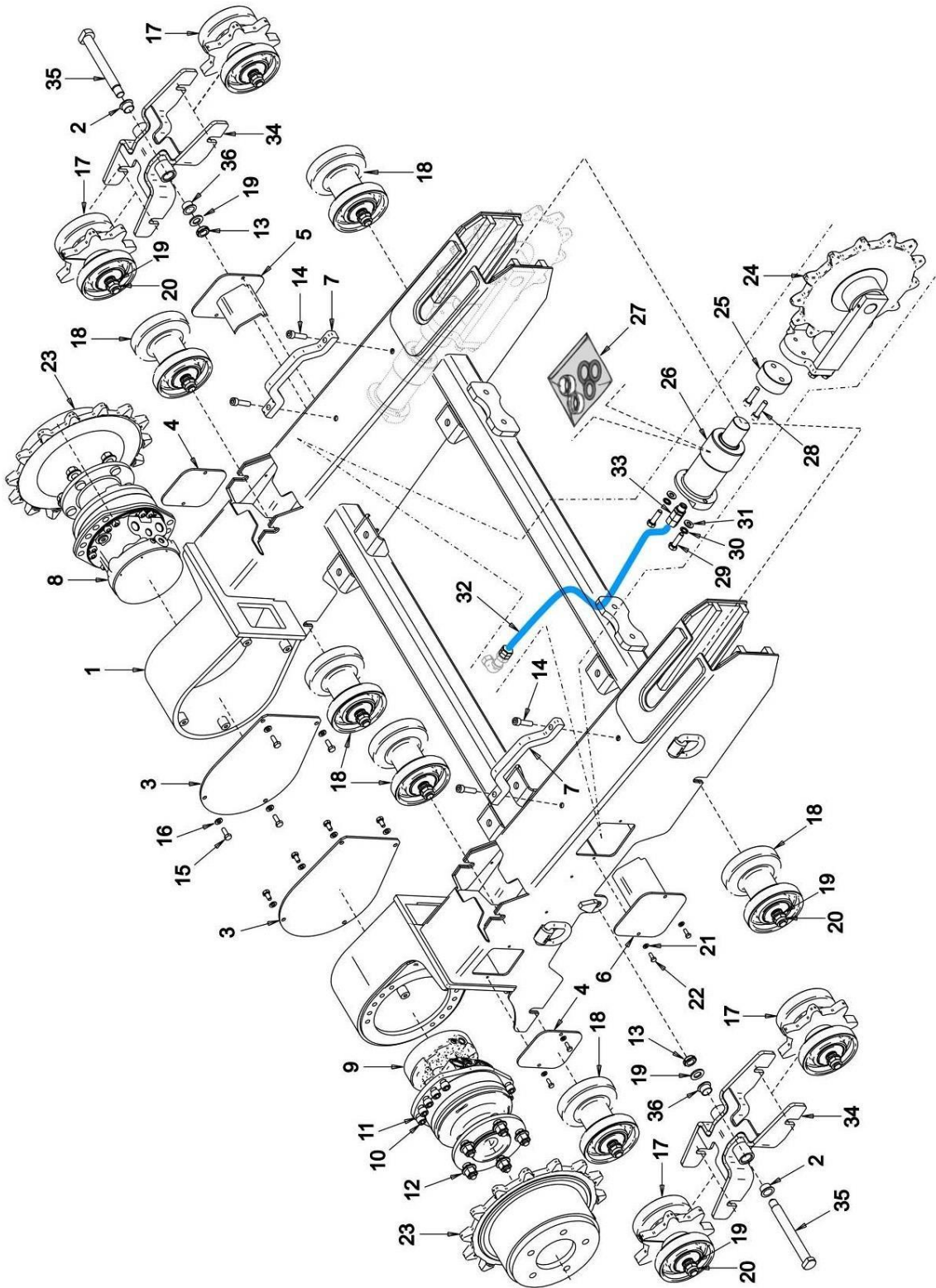
4.0 TRACKED TRUCK WITH FIXED TRACK AND PLANT



5.0 TRACKED TRUCK WITH FIXED TRACK

N°	Description	BT item No.	Qty
1	UNDERCARRIAGE	49172.94	1
2	BUSHING	49172.95	4
3	BOX CLOSING	49172.89	2
4	SIDE CLOSURE	49172.87	2
5	RIGHT SIDE CLOSURE	49172.85	1
6	LEFT SIDE CLOSURE	49172.86	1
7	TOP TRACK SLEDGE	49172.88	2
8	PISTON ENGINE	49173.22	1
9	PISTON ENGINE	49173.23	1
10	SCREW	49171.62	20
11	SCHNORR WASHER	49171.41	20
12	FLANGE NUT	49171.11	10
13	SELF-LOCKING NUT	49172.08	2
14	FERRULE	49171.78	4
15	SCREW	49171.68	8
16	PLAIN WASHER	49171.30	8
17	LOWER GEAR ROLLER	49173.03	4
18	ROLLER	49173.03	6
19	ROLLER	49171.34	22
20	SELF-LOCKING NUT	49171.09	20
21	SELF-LOCKING NUT	49171.29	8
22	SCREW	49171.66	8
23	DRIVING WHEEL	49173.04	2
24	DRIVING WHEEL	49172.97	2
25	SPACER	49172.98	2
26	STRETCHING JACK	49172.99	2
27	JACK	49173.01	2
28	SCREW	49171.61	4
29	SCREW	49171.79	4
30	SCHNORR WASHER	49171.40	4
31	PLAIN WASHER	49171.31	4
32	OIL PIPE	49173.05	2
33	OIL PIPE	49173.06	2
34	ROLLERS SUPPORT	49172.96	2
35	ROLLERS SUPPORT	49173.02	2

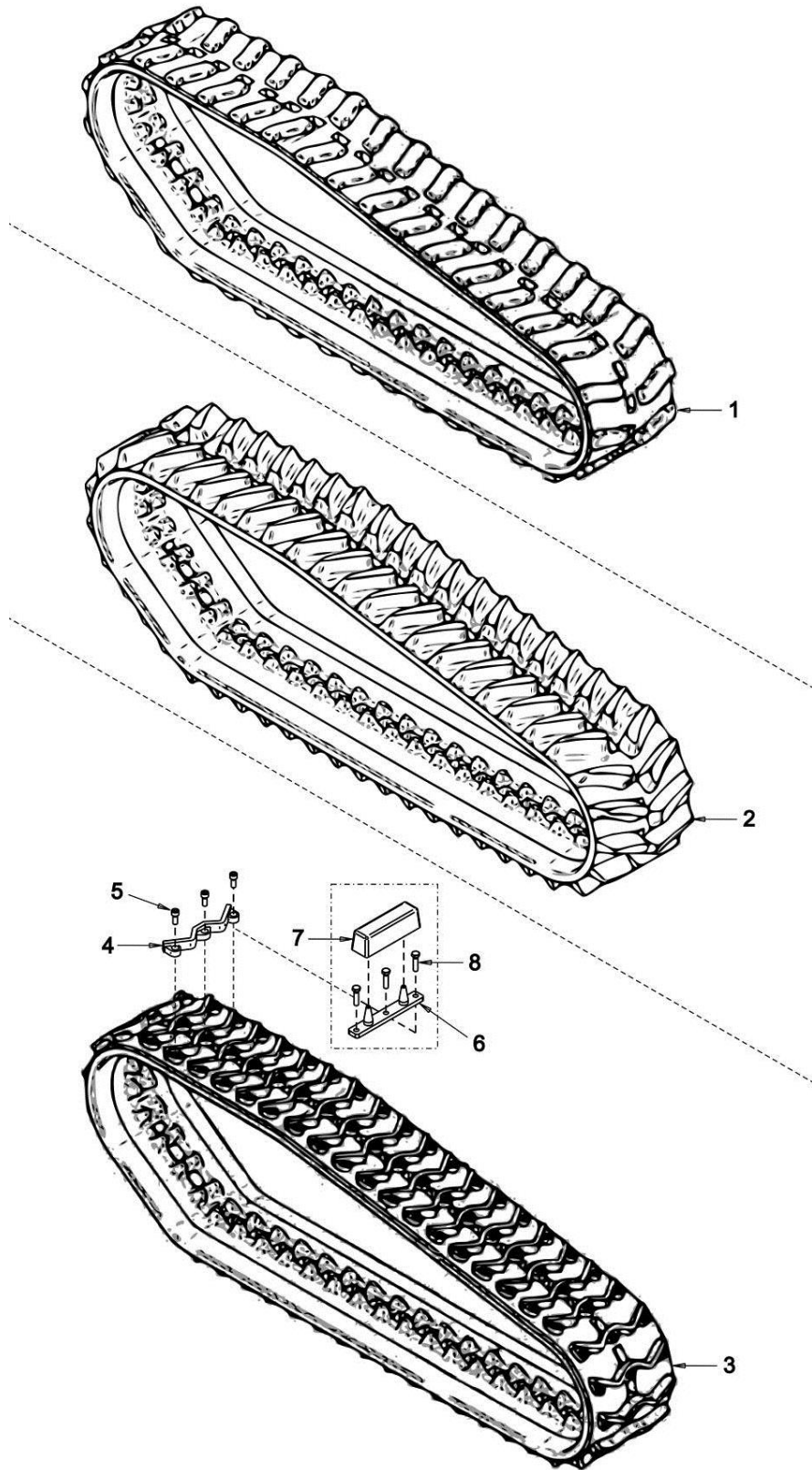
5.0 TRACKED TRUCK WITH FIXED TRACK



6.0 RUBBER TRACK

N°	Description	BT item No.	Qty
1	RUBBER TRACK	49172.19	2
2	RUBBER TRACK	49177.15	2
3	RUBBER TRACK	49172.17	2
4	STEEL BRACKETS	49172.18	94
5	SCREW	49171.59	282
6	SPIKED SHOE	49174.51	46
7	RUBBER SHOE	49174.52	46
8	SCREW	49171.75	138

6.0 RUBBER TRACK



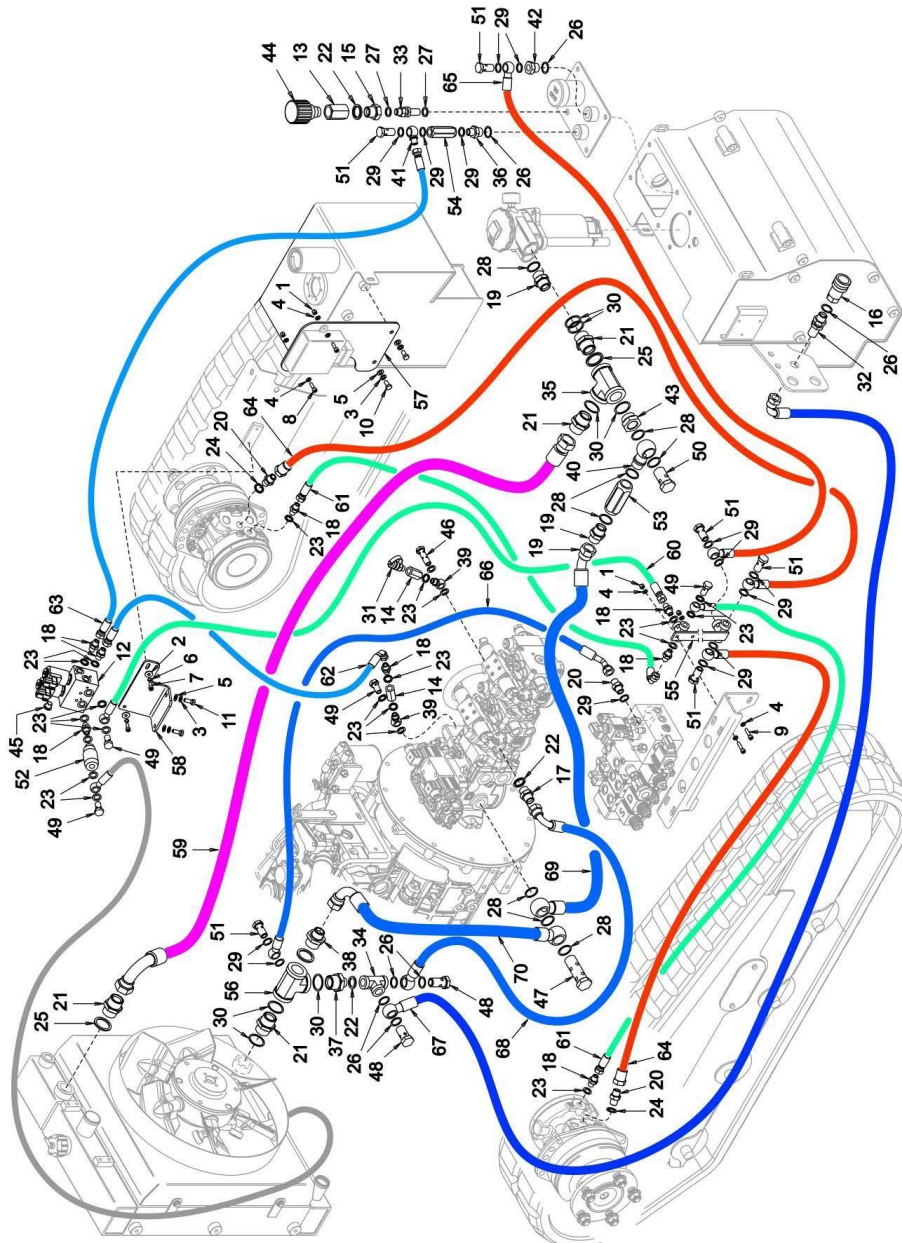
7.0 DRAINS AND DRAINAGES

N°	Description	BT item No.	Qty
1	SELF-LOCKING NUT	49171.04	4
2	WASHER	49171.18	2
3	WASHER	49171.21	4
4	PLAIN WASHER	49171.29	8
5	PLAIN WASHER	49171.30	4
6	SCHNORR WASHER	49171.38	2
7	SCREW	49171.49	2
8	SCREW	49171.50	2
9	SCREW	49171.51	2
10	SCREW	49171.68	2
11	SCREW	49171.69	2
12	FAN	49171.98	1
13	COLUMN TO FILTER OIL CAP	49175.19	1
14	STUDDING JUNCTION	49172.10	2
15	PLUG	49173.66	1
16	FEMALE RAPID ATTACK	49173.28	1
17	JOINT	49173.32	1
18	JOINT	49173.33	8
19	JOINT	49173.35	2
20	JOINT	49173.36	3
21	JOINT	49173.37	4
22	BONDED TRIMMING	49173.38	3
23	BONDED TRIMMING	49173.39	21
24	BONDED TRIMMING	49173.41	2
25	BONDED TRIMMING	49173.42	3
26	COPPER TRIMMING	49173.43	7
27	COPPER TRIMMING	49173.44	2
28	COPPER TRIMMING	49173.46	8
29	COPPER TRIMMING	49173.47	14
30	COPPER TRIMMING	49173.48	7
31	PRESSURE TEST	49173.49	1
32	BULKHEAD	49173.50	1
33	BULKHEAD	49173.51	1
34	TEE FITTING	49173.55	1
35	TEE FITTING	49173.57	1
36	REDUCTION	49173.58	1
37	REDUCTION	49173.61	1
38	REDUCTION	49173.62	1
39	EYE FITTING	49173.63	2
40	EYE FITTING	49173.64	1
41	EYE FITTING	49173.65	1
42	PLUG	49173.67	1
43	PLUG	49173.68	1
44	PLUG	49174.01	1
45	PLUG	49173.70	1
46	SCREW	49173.72	1
47	SCREW	49173.73	1
48	SCREW	49173.74	2
49	SCREW	49173.75	4
50	SCREW	49173.76	1
51	SCREW	49173.77	6
52	THROTTLE VALVE	49174.46	1
53	ONE-WAY VALVE	49174.47	1
54	ONE-WAY VALVE	49174.48	1
55	MANIFOLD	49175.14	1
56	TEE FITTING	49175.18	1

7.0 DRAINS AND DRAINAGES

N°	Description	BT item No.	Qty
57	SUPPORT CONSOLE	49175.27	1
58	BLOCK SUPPORT	49175.30	1
59	OIL PIPE	49174.10	1
60	OIL PIPE	49174.43	1
61	OIL PIPE	49174.30	2
62	OIL PIPE	49174.27	1
63	OIL PIPE	49174.37	1
64	OIL PIPE	49174.19	2
65	OIL PIPE	49174.20	1
66	OIL PIPE	49174.13	1
67	OIL PIPE	49174.17	1
68	OIL PIPE	49174.16	1
69	OIL PIPE	49174.12	1
70	OIL PIPE	49174.18	1

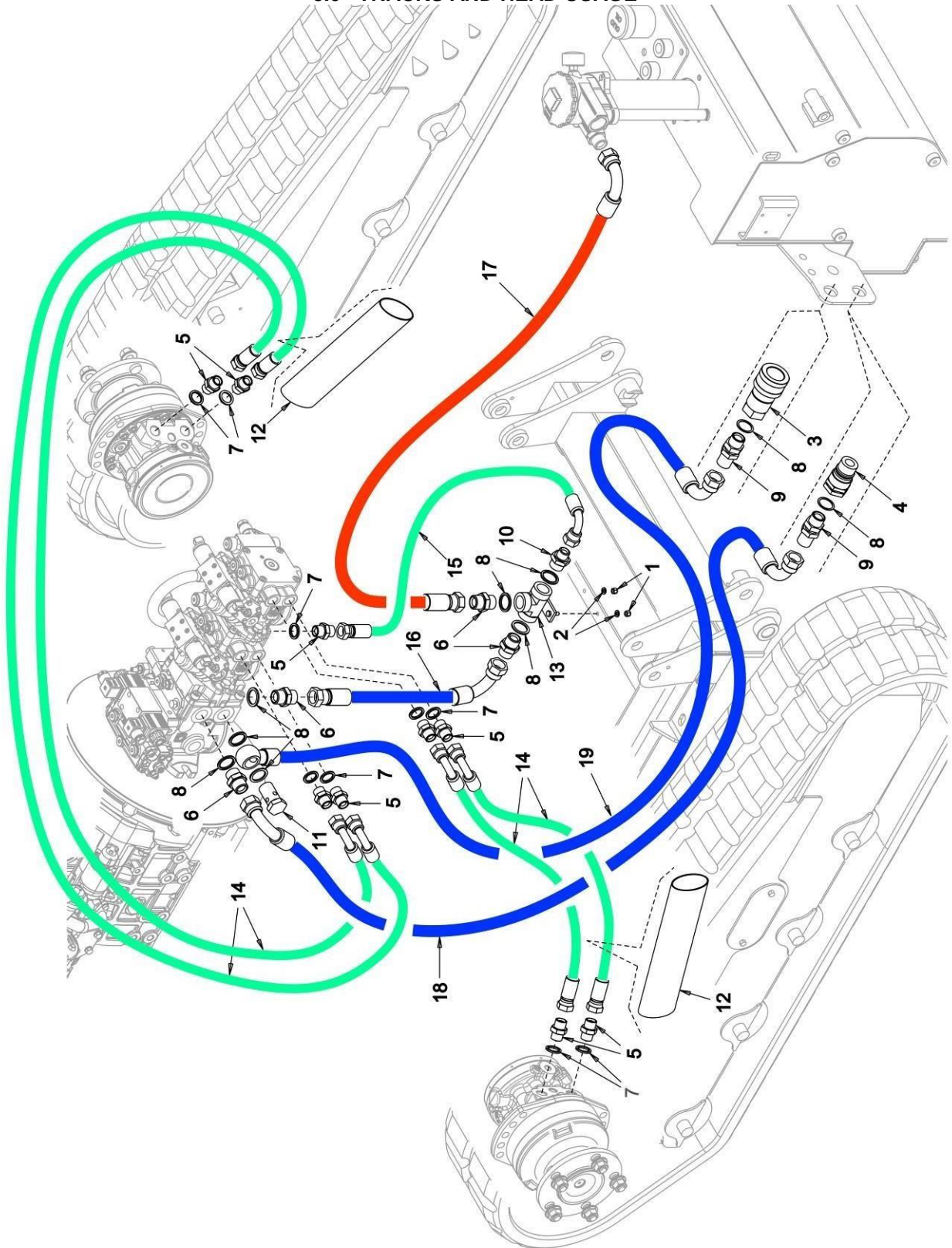
7.0 DRAINS AND DRAINAGES



8.0 TRACKS AND HEAD USAGE

N°	Description	BT Item No.	Qty
1	SELF-LOCKING NUT	49171.04	2
2	PLAIN WASHER	49171.29	2
3	RAPID ATTACK FLAT FACE	49173.26	1
4	RAPID ATTACK FLAT FACE	49173.27	1
5	JOINT	49173.32	9
6	JOINT	49173.35	4
7	BONDED TRIMMING	49173.38	9
8	BONDED TRIMMING	49173.40	9
9	BULKHEAD	49173.52	2
10	REDUCTION	49173.59	1
11	SCREW	49173.76	1
12	CASE FOR PIPE PROTECTION	49174.07	2
13	MANIFOLD	49175.15	1
14	OIL	49174.24	4
15	PIPE	49174.15	1
16	OIL	49174.08	1
17	PIPE	49174.09	1
18	OIL	49174.23	1
19	PIPE	49174.34	1
	TRACK PRESSURE SCREW (ALLEN SCREW)	49177.05	

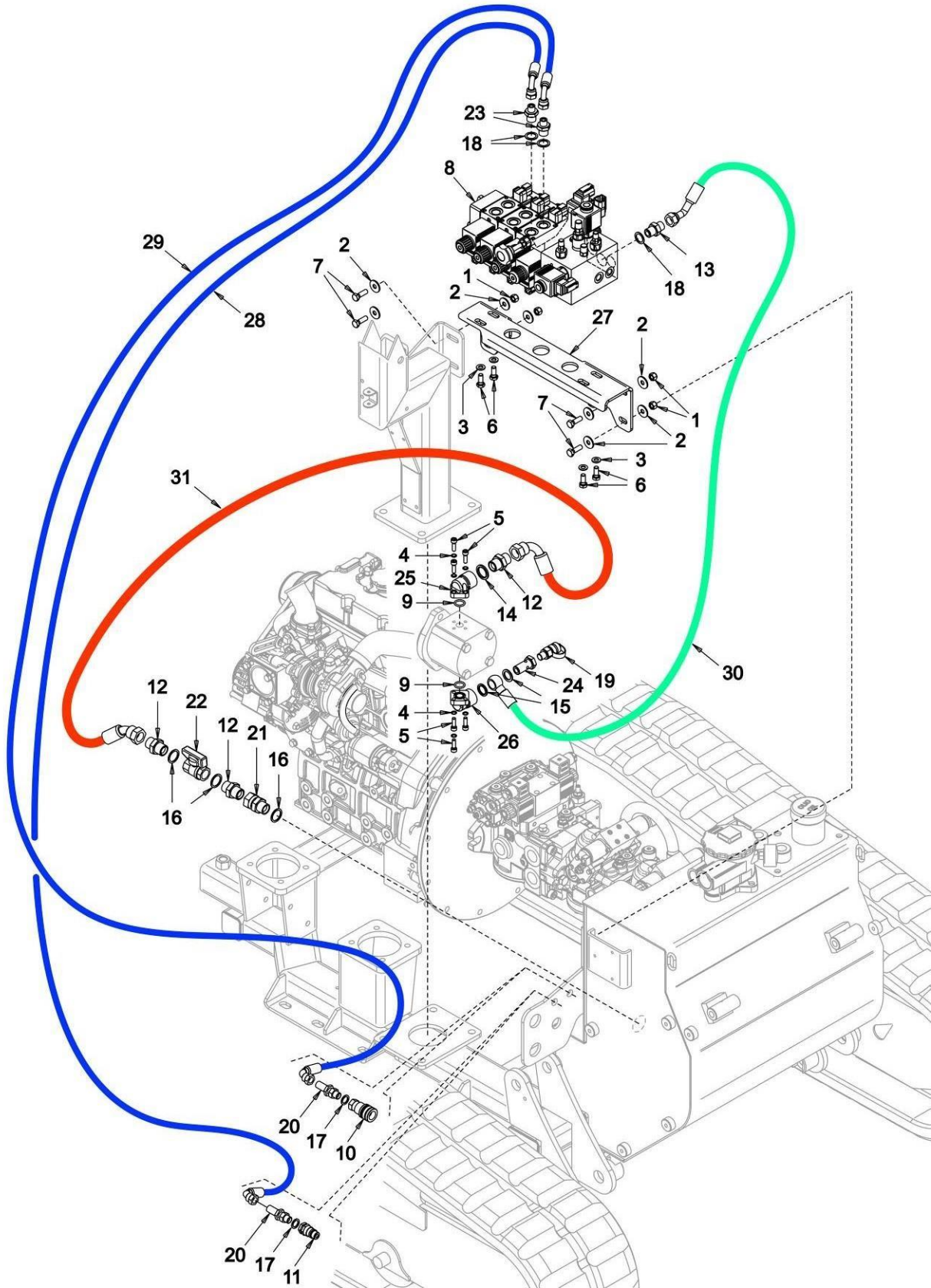
8.0 TRACKS AND HEAD USAGE



9.0 SERVICE USAGE

N°	Description	BT item No.	Qty
1	SELF-LOCKING NUT	49171.05	4
2	WASHER	49171.18	8
3	PLAIN WASHER	49171.30	4
4	SCHNORR WASHER	49171.38	6
5	SCREW	49171.50	6
6	SCREW	49171.69	4
7	SCREW	49171.70	4
8	4-WAY ON/OFF DISTRIBUTOR	49171.99	1
9	O-RING	49173.24	2
10	FEMALE RAPID ATTACK	49173.29	1
11	MALE RAPID ATTACK	49173.31	1
12	JOINT	49173.32	3
13	JOINT	49173.36	1
14	TRIMMING	49173.38	1
15	BONDED TRIMMING	49173.41	2
16	COPPER TRIMMING	49173.43	3
17	COPPER TRIMMING	49173.44	2
18	COPPER TRIMMING	49173.47	3
19	PRESSURE TEST	49173.49	1
20	BULKHEAD	49173.51	2
21	SWIVEL FITTING	49173.53	1
22	BALL VALVE	49173.54	1
23	REDUCTION	49173.60	2
24	SCREW	49173.78	1
25	ELBOW FITTING	49173.80	1
26	ELBOW FITTING	49173.81	1
27	ELBOW FITTING	49175.09	1
28	CONSOLE	49174.21	1
29	OIL PIPE	49174.22	1
30	OIL PIPE	49174.35	1
31	OIL PIPE	49174.11	1

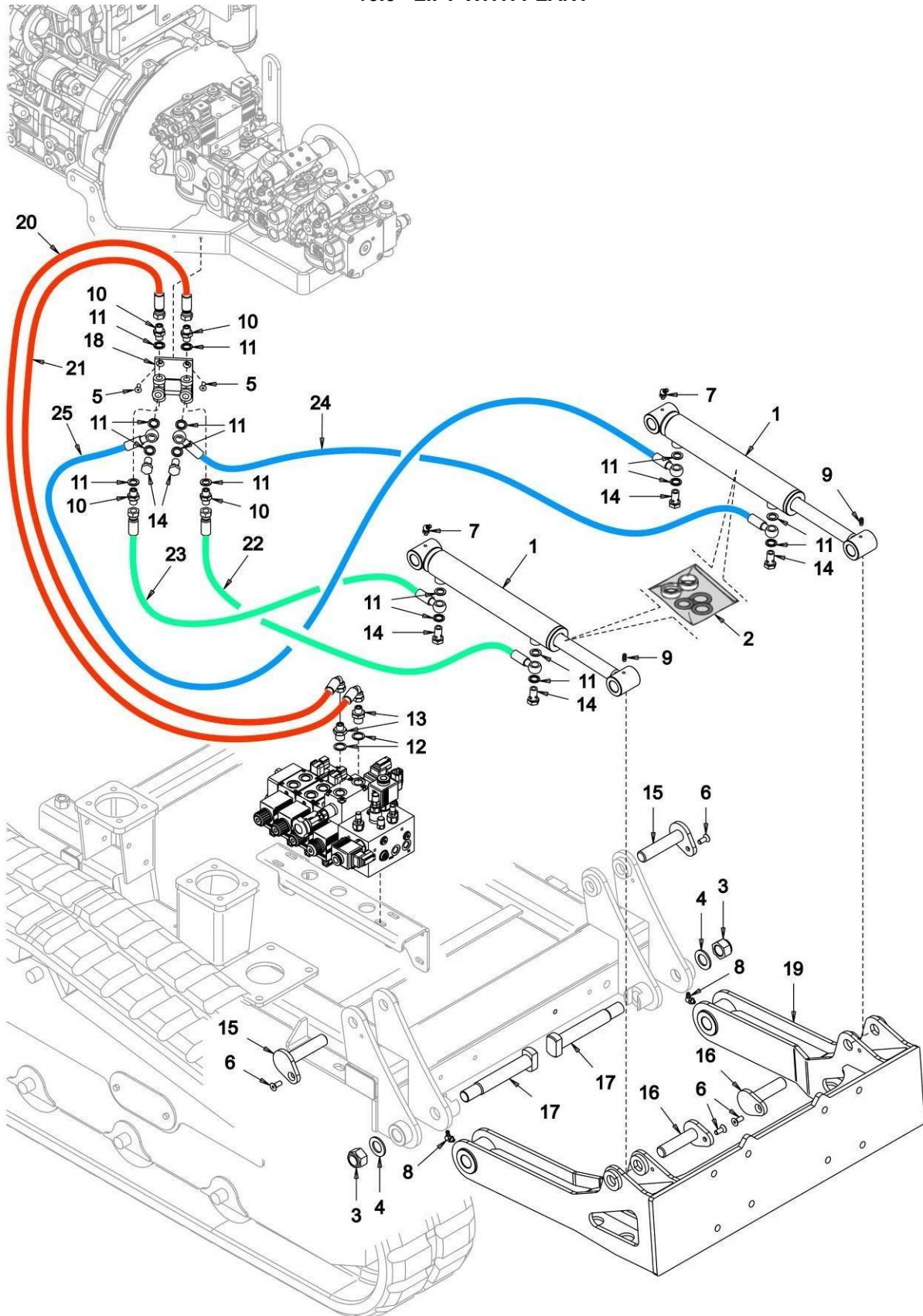
9.0 SERVICE USAGE



10.0 LIFT WITH PLANT

N°	Description	BT item No.	Qty
1	JACK	49172.13	2
2	TRIMMING KIT	49172.12	2
3	SELF-LOCKING NUT	49171.10	2
4	PLAIN WASHER	49171.36	2
5	SCREW	49171.91	2
6	SCREW	49171.92	4
7	FATTENER	49173.18	2
8	FATTENER	49173.19	2
9	STRAIGHT FATTENER	49173.20	2
10	JOINT	49173.33	4
11	BONDED TRIMMING	49173.39	16
12	COPPER TRIMMING	49173.47	2
13	REDUCTION	49173.60	2
14	SCREW	49173.75	6
15	TAP	49173.83	2
16	TAP	49173.84	2
17	TAP	49173.85	2
18	MANIFOLD	49175.16	1
19	LIFTER	49175.53	1
20	OIL PIPE	49174.26	1
21	OIL PIPE	49174.25	1
22	OIL PIPE	49174.42	1
23	OIL PIPE	49174.41	1
24	OIL PIPE	49174.44	1
25	OIL PIPE	49174.45	1

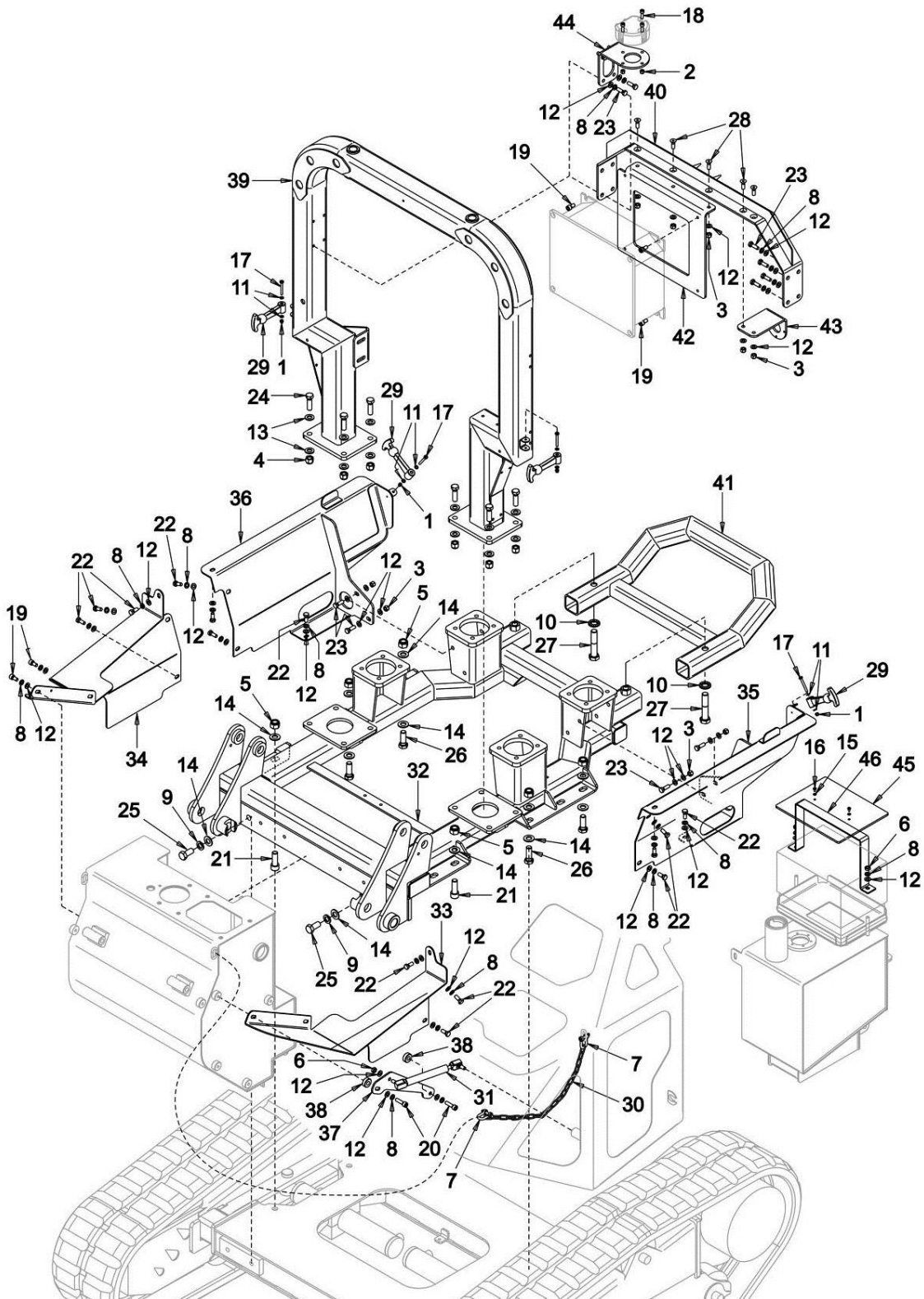
10.0 LIFT WITH PLANT



11.0 BASE FRAME WITH ROLL-BAR

N°	Description		Qty
1	SELF-LOCKING NUT	49171.03	4
2	SELF-LOCKING NUT	49171.04	3
3	SELF-LOCKING NUT	49171.05	9
4	SELF-LOCKING NUT	49171.07	8
5	SELF-LOCKING NUT	49171.08	6
6	NUT	49171.13	3
7	STRAIGHT CRICKET	49171.17	2
8	WASHER	49171.21	28
9	WASHER	49171.23	2
10	NORD-LOCK WASHER	49171.27	2
11	PLAIN WASHER	49171.28	8
12	PLAIN WASHER	49171.30	42
13	PLAIN WASHER	49171.32	16
14	PLAIN WASHER	49171.33	12
15	SCHNORR WASHER	49171.37	2
16	SCREW	49171.45	2
17	SCREW	49171.47	4
18	SCREW	49171.50	3
19	SCREW	49171.54	6
20	SCREW	49171.57	2
21	SCREW	49171.64	2
22	SCREW	49171.69	14
23	SCREW	49171.70	12
24	SCREW	49171.82	8
25	SCREW	49171.84	2
26	SCREW	49171.86	4
27	SCREW	49171.87	2
28	SCREW	49171.93	5
29	MID ROD	49172.01	4
30	CHAIN	49172.16	1
31	GAS SPRING	49173.21	1
32	BASIS UPPER FRAME	49174.53	1
33	FENDER FAIRING	49174.73	1
34	FENDER FAIRING	49174.74	1
35	FENDER FAIRING	49174.75	1
36	FENDER FAIRING	49174.76	1
37	SUPPORT SHEET	49174.85	1
38	SPACERS	49174.98	2
39	ROLL-BAR	49175.03	1
40	SUPPORT	49175.04	1
41	FRAME ROLL-	49175.06	1
42	BAR	49175.26	1
43	ELECTRICAL BOX SUPPORT	49175.31	1
44	BRACKET	49175.33	1
45	BRACKET	49175.39	1
46	BATTERY COVERAGE	49175.42	1

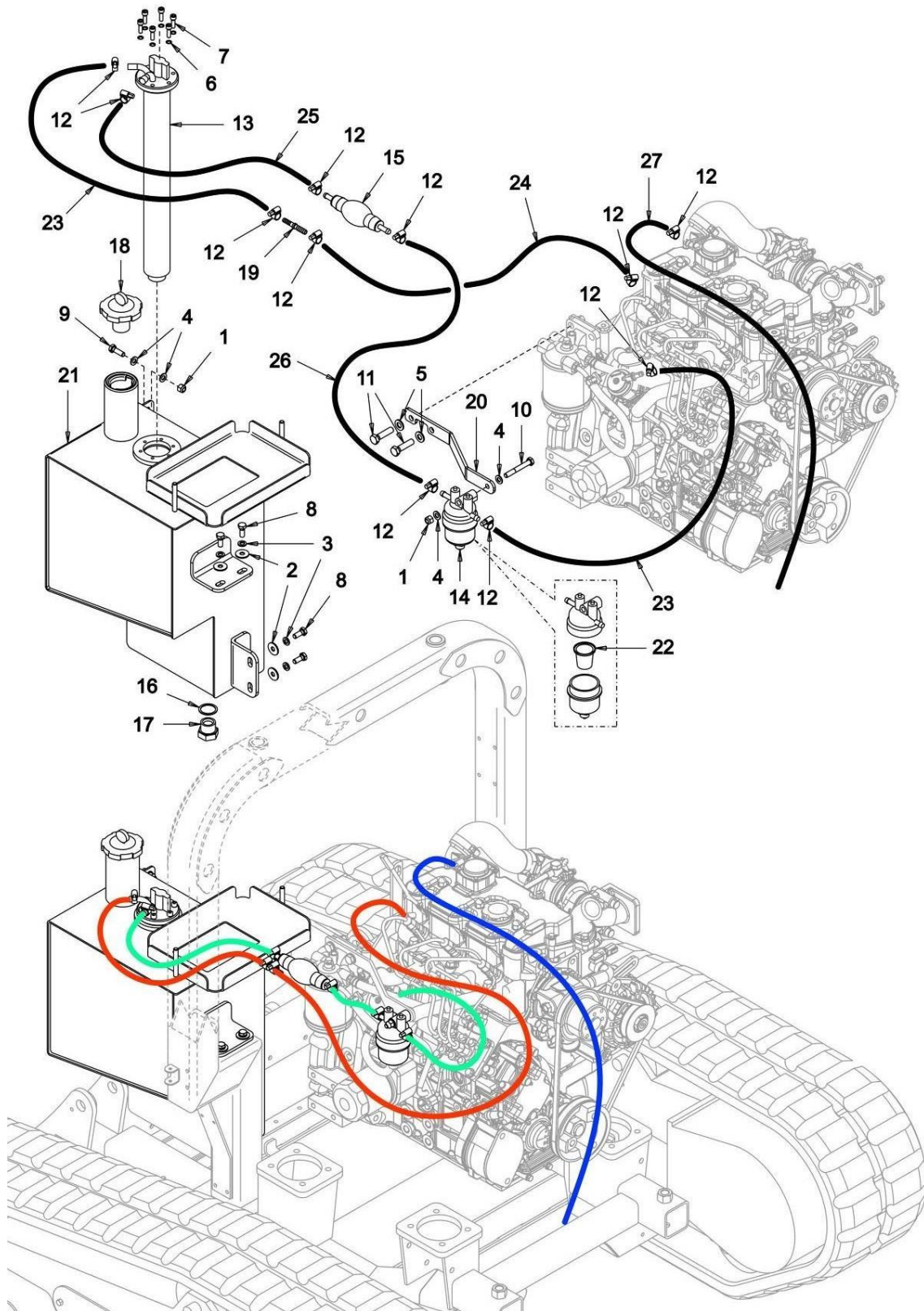
11.0 BASE FRAME WITH ROLL-BAR



12.0 FUEL TANK

N°	Description		Qty
1	SELF-LOCKING NUT	49171.05	2
2	WASHER	49171.18	4
3	WASHER	49171.21	4
4	PLAIN WASHER	49171.30	4
5	PLAIN WASHER	49171.31	2
6	SCHNORR WASHER	49171.38	6
7	SCREW	49171.50	6
8	SCREW	49171.69	4
9	SCREW	49171.70	1
10	SCREW	49171.73	1
11	SCREW	49171.79	2
12	PIPE CLAMPS	49171.95	11
13	FUEL LEVEL SENSOR	49172.36	1
14	DIESEL PRE-FILTER	49172.75	1
15	PUMP	49172.76	1
16	COPPER TRIMMING	49173.46	1
17	PLUG	49173.69	1
18	PLUG	49173.97	1
19	COUPLING	49175.38	1
20	BRACKET	49175.40	1
21	DIESEL TANK	49175.52	1
22	DIESEL CARTRIDGE	49172.73	1
23	FUEL PIPE	49174.05	2
24	FUEL PIPE	49174.02	1
25	FUEL PIPE	49174.04	1
26	FUEL PIPE	49174.03	1
27	FUEL PIPE	49174.06	1

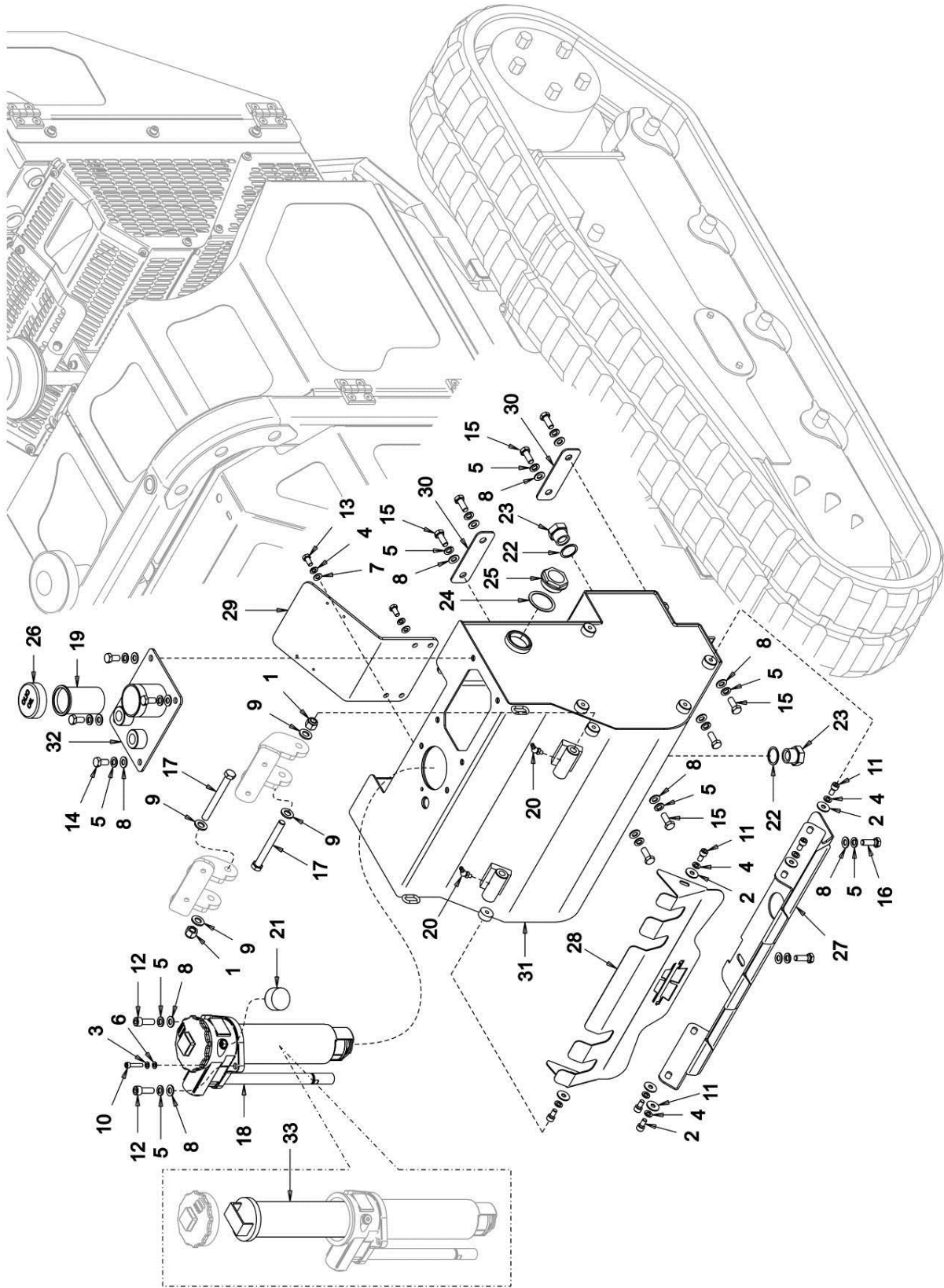
12.0 FUEL TANK



13.0 OIL TANK

N°	Description	BT item No.	Qty.
1	SELF-LOCKING NUT	49171.07	2
2	WASHER	49171.18	6
3	WASHER	49171.20	1
4	WASHER	49171.21	8
5	WASHER	49171.22	16
6	PLAIN WASHER	49171.29	1
7	PLAIN WASHER	49171.30	2
8	PLAIN WASHER	49171.31	16
9	PLAIN WASHER	49171.32	4
10	SCREW	49171.52	1
11	SCREW	49171.54	6
12	SCREW	49171.60	2
13	SCREW	49171.68	2
14	SCREW	49171.74	4
15	SCREW	49171.76	8
16	SCREW	49171.77	2
17	SCREW	49171.83	2
18	COMBINED FILTER	49172.04	1
19	OIL FILLING FILTER	49172.07	1
20	FATTENER	49173.18	2
21	COMBINED FILTER	49172.05	1
22	COPPER TRIMMING	49173.46	2
23	PLUG	49173.69	2
24	OIL LAMP TRIMMING	49173.79	1
25	OIL LEVEL LAMP	49173.86	1
26	PLUG	49173.98	1
27	FRONT BODY	49174.72	1
28	COVER SHEET	49174.81	1
29	FEELER HOLDER	49175.25	1
30	WASHER	49175.28	2
31	OIL TANK	49175.50	1
32	OIL TANK COVER	49175.51	1
33	FILTER CARTRIDGE	49172.06	1

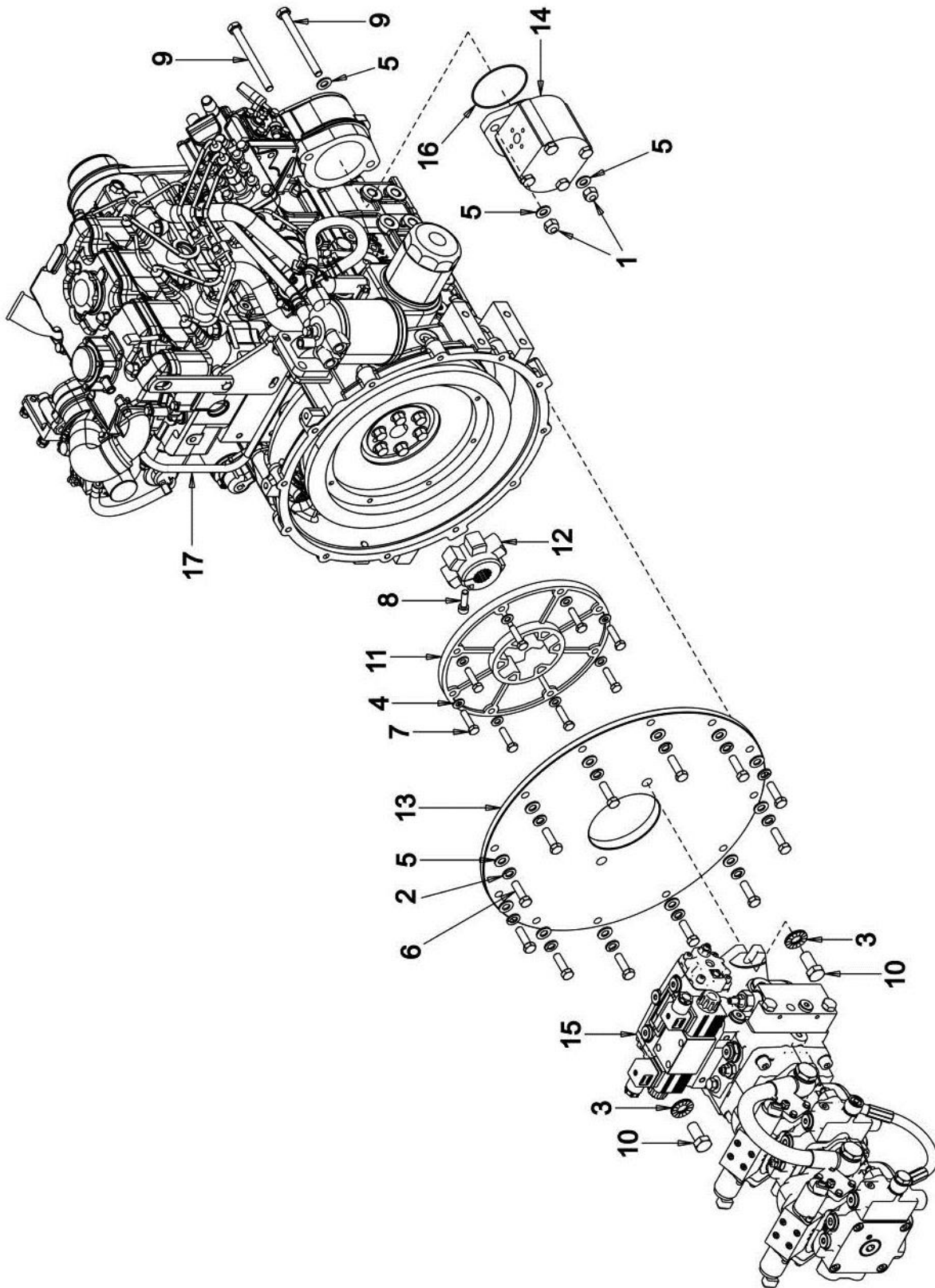
13.0 OIL TANK



14.0 PUMP-BELL ASSEMBLY

N°	Description	BT item No.	Qty
1	SELF-LOCKING NUT	49171.06	2
2	WASHER	49171.22	12
3	NORD-LOCK WASHER	49171.26	2
4	PLAIN WASHER	49171.30	8
5	PLAIN WASHER	49171.31	16
6	SCREW	49171.43	12
7	SCREW	49171.44	8
8	SCREW	49171.57	1
9	SCREW	49171.81	2
10	SCREW	49171.84	2
11	FLANGE	49172.66	1
12	HUB	49172.67	1
13	PLAIN BELL	49172.68	1
14	PUMP	49173.16	1
15	PUMP	49173.17	1
16	O-RING	49173.25	1
17	DIESEL ENGINE	49172.71	1

14.0 PUMP-BELL ASSEMBLY



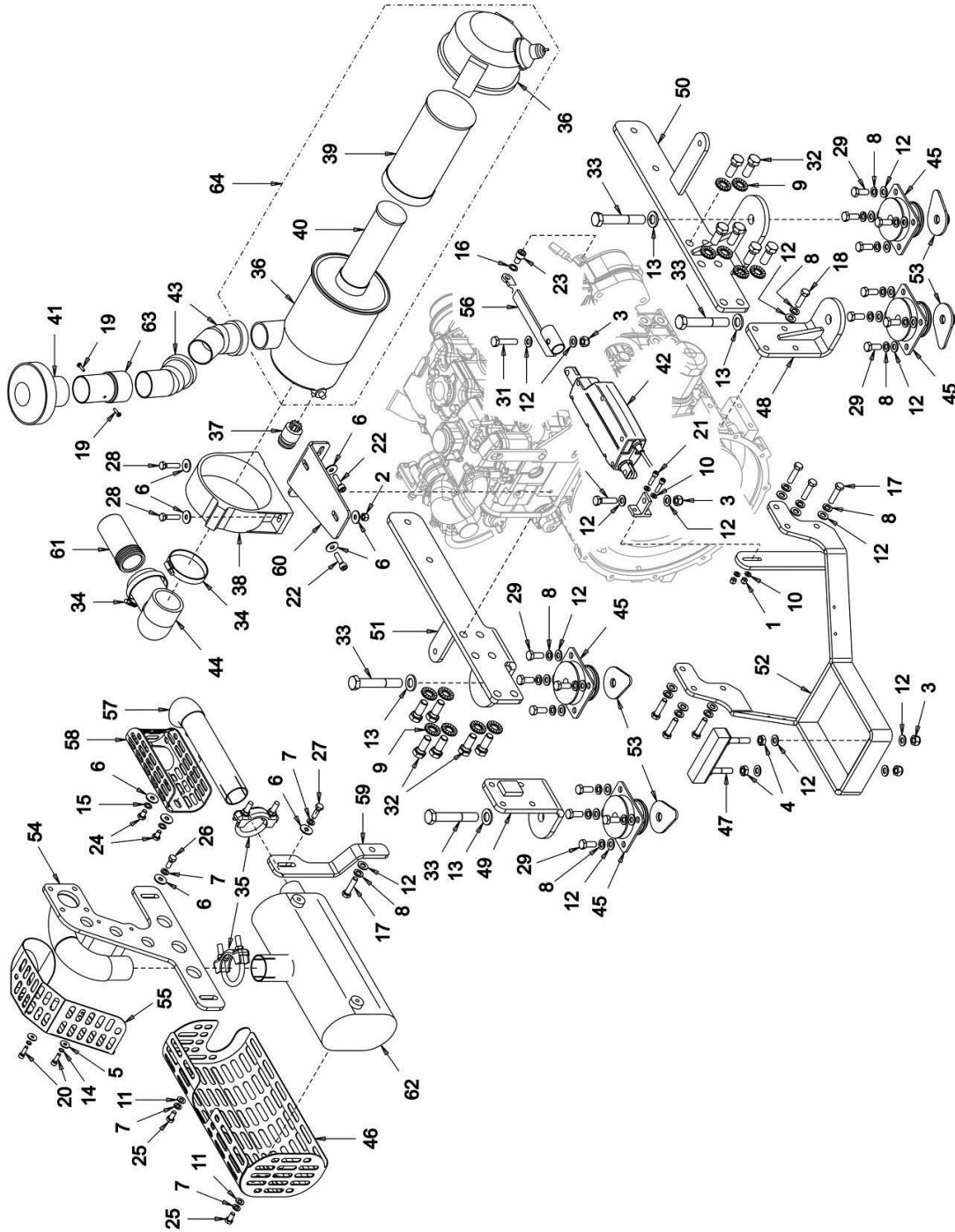
15.0 ENGINE ACCESSORIES

N°	Description	BT item No.	Qty
1	SELF-LOCKING NUT	49171.04	2
2	SELF-LOCKING NUT	49171.05	2
3	SELF-LOCKING NUT	49171.06	4
4	NUT	49171.14	2
5	WASHER	49171.18	2
6	WASHER	49171.18	10
7	WASHER	49171.21	4
8	WASHER	49171.22	24
9	NORD-LOCK WASHER	49171.26	12
10	PLAIN WASHER	49171.29	4
11	PLAIN WASHER	49171.30	2
12	PLAIN WASHER	49171.31	32
13	PLAIN WASHER	49171.34	4
14	SCHNORR WASHER	49171.38	2
15	SCHNORR WASHER	49171.39	2
16	SCHNORR WASHER	49171.40	1
17	SCREW	49171.42	7
18	SCREW	49171.43	1
19	SCREW	49171.46	2
20	SCREW	49171.50	2
21	SCREW	49171.51	2
22	SCREW	49171.57	2
23	SCREW	49171.58	1
24	SCREW	49171.67	2
25	SCREW	49171.68	2
26	SCREW	49171.69	1
27	SCREW	49171.70	1
28	SCREW	49171.72	2
29	SCREW	49171.76	16
30	SCREW	49171.79	1
31	SCREW	49171.80	1
32	SCREW	49171.85	12
33	SCREW	49171.88	4
34	PIPE CLAMPS	49171.97	2
35	CLAMP	49172.02	2
36	AIR FILTER BOX	49172.60	1
37	CLOGGING INDICATOR	49172.61	1
38	FIXING COLLAR	49172.62	1
39	AIR FILTER PRIMARY CARTRIDGE	49172.63	1
40	AIR FILTER SECONDARY CARTRIDGE	49172.64	1
41	RAIN CAP	49172.65	1
42	LINEAR ACTUATOR	49173.09	1
43	CURVE	49173.11	2
44	FLEXIBLE PIPE	49173.12	1
45	ANTIVIBRATION	49173.96	4
46	COVER	49174.49	1
47	PUMP HOLDER	49174.50	1
48	FRONT HOLDERS	49174.54	1
49	FRONT HOLDERS	49174.55	1
50	REAR HOLDER	49174.56	1
51	REAR HOLDER	49174.57	1
52	PUMP HOLDER	49174.58	1
53	LOCK	49174.60	4
54	POT HOLDER	49175.05	1
55	POT PROTECTION	49175.07	1
56	AUCTION FOR ACCELERATOR	49175.08	1

15.0 ENGINE ACCESSORIES (Continued)

N°	Description	BT item No.	Qty
57	SPOUT EXTENSION	49175.10	1
58	COVER SHEET	49175.13	1
59	BRACKET	49175.21	1
60	ENGINE AIR FILTER HOLDER	49175.22	1
61	ADAPTER SLEEVE	49175.37	1
62	SILENCER (POT)	49175.43	1
63	EXTENSION COVER	49175.44	1
64	AIR FILTER WITH FILTER CARTRIDGES	49172.59	1

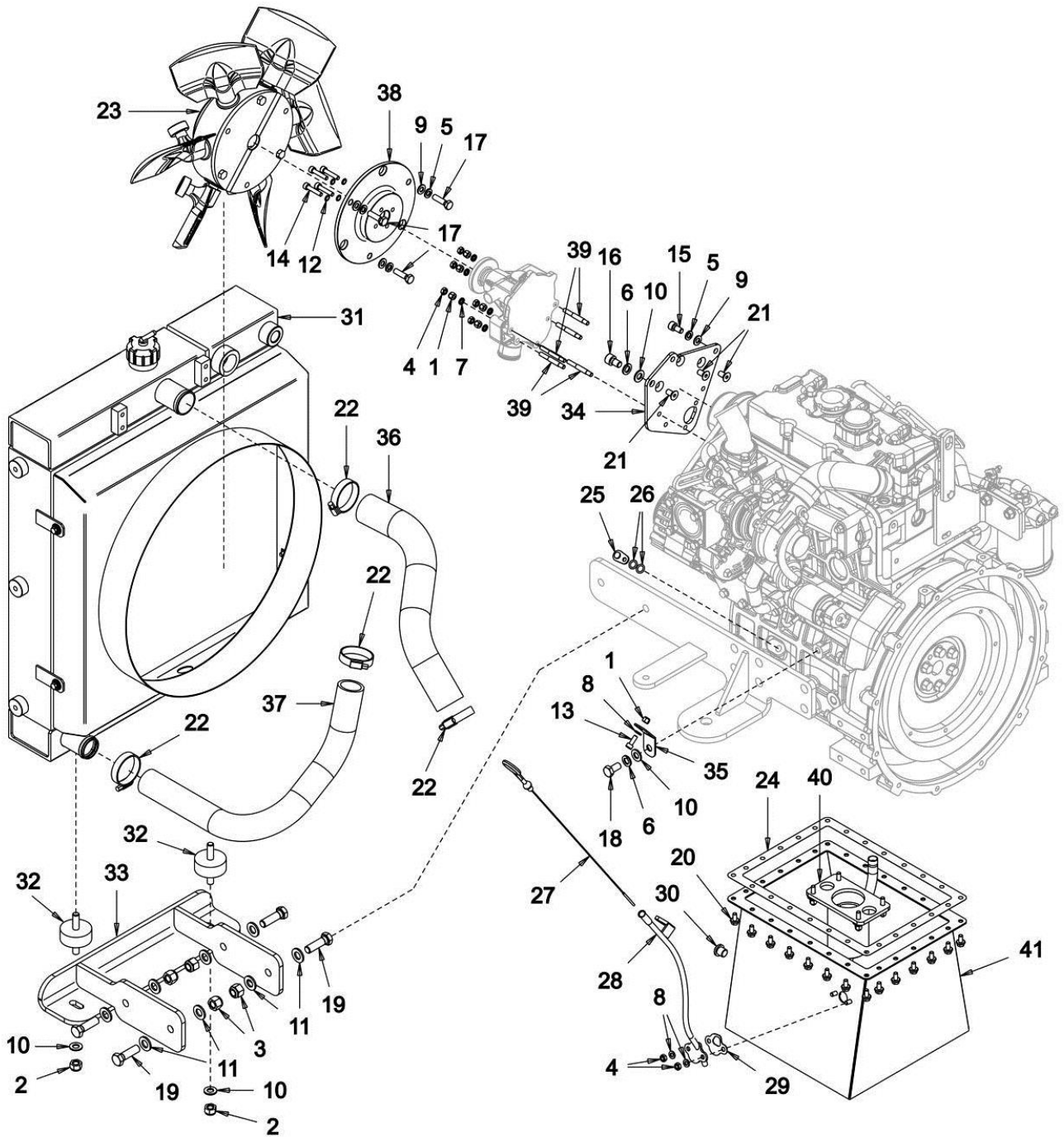
15.0 ENGINE ACCESSORIES



16.0 HEAT EXCHANGER AND SUMP

N°	Description	BT item No.	Qty
1	SELF-LOCKING NUT	49171.04	6
2	SELF-LOCKING NUT	49171.06	2
3	SELF-LOCKING NUT	49171.07	4
4	NUT	49171.12	7
5	WASHER	49171.21	4
6	WASHER	49171.22	2
7	NORD-LOCK WASHER	49171.25	5
8	PLAIN WASHER	49171.29	3
9	PLAIN WASHER	49171.30	4
10	PLAIN WASHER	49171.31	4
11	PLAIN WASHER	49171.32	8
12	SCHNORR WASHER	49171.38	4
13	SCREW	49171.49	1
14	SCREW	49171.52	4
15	SCREW	49171.54	1
16	SCREW	49171.58	1
17	SCREW	49171.71	3
18	SCREW	49171.74	1
19	SCREW	49171.82	4
20	SCREW	49171.90	26
21	SCREW	49171.91	3
22	PIPE CLAMPS	49171.96	4
23	FAN	49172.58	1
24	OIL PAN TRIMMING	49172.78	1
25	PLUG	49172.79	1
26	O-RING	49172.83	2
27	OIL LEVEL DIPSTICK	49173.13	1
28	DIPSTICK TUBE	49173.14	1
29	OIL LEVEL GUIDE	49173.15	1
30	PLUG	49173.70	1
31	OIL-WATER COMBINED EXCHANGER	49173.82	1
32	ANTIVIBRATION	49173.94	2
33	SUPPORT FRAME	49174.59	1
34	FLANGE	49175.20	1
35	OIL SUPPORT SAUCER	49175.41	1
36	OIL PIPE	49175.45	1
37	SUCTION PIPE	49175.46	1
38	FLANGE	49175.47	1
39	SCREW	49175.49	5
40	LEVELING FLOAT	49175.54	1
41	OIL PAN	49173.99	1

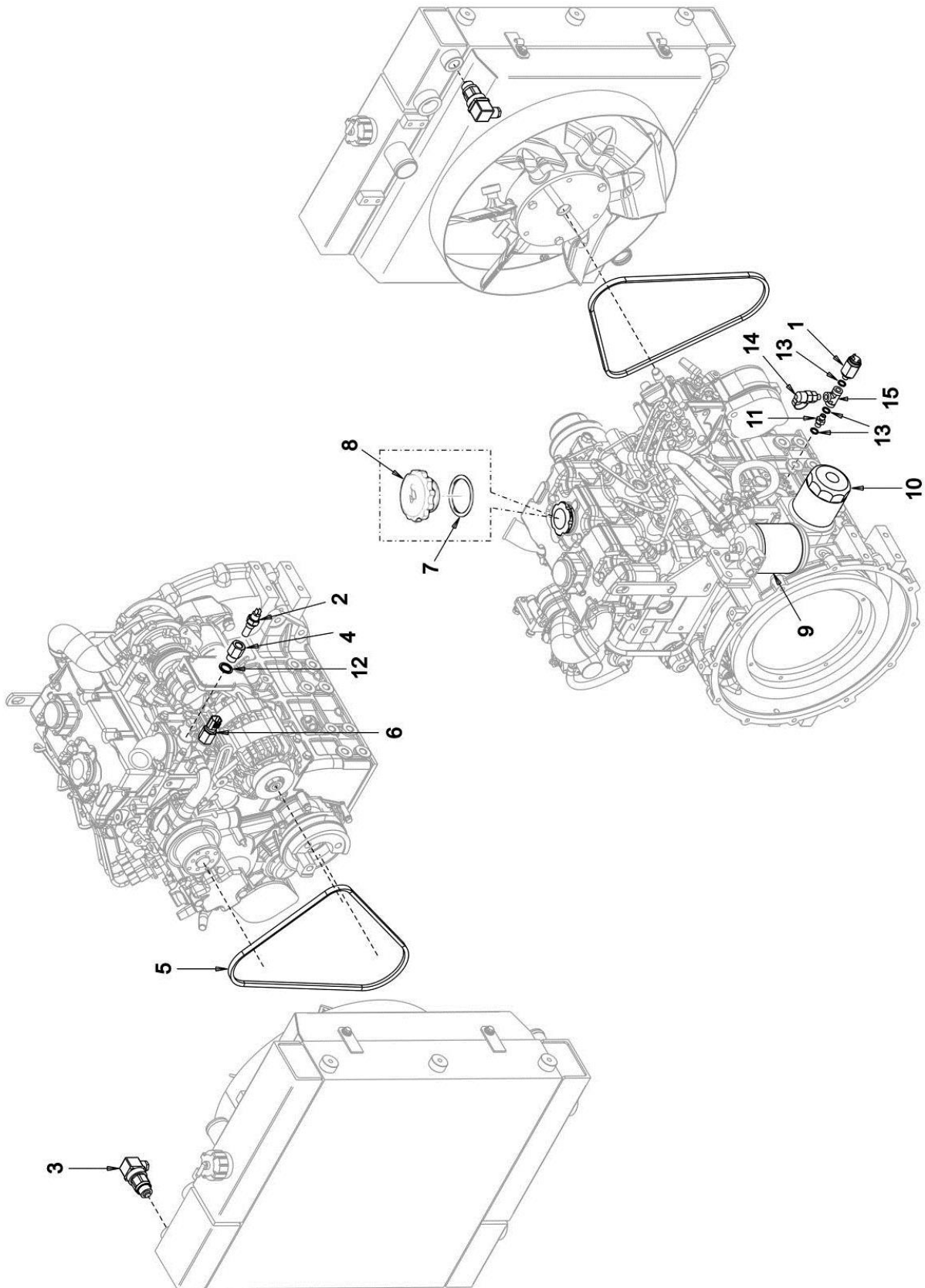
16.0 HEAT EXCHANGER AND SUMP



17.0 ENGINE AND COMPONENTS

N°	Description	BT item No.	Qty
1	PRESSURE SWITCH	49172.38	1
2	TEMPERATURE SENSOR	49172.39	1
3	TEMPERATURE TRANSDUCER	49172.40	1
4	COLUMN FOR WATER TEMP SENSOR	49173.10	1
5	ENGINE BELT	49172.72	1
6	THERMOSTAT	49172.81	1
7	UNDER PLUG GASKET	49172.74	1
8	PLUG	49172.80	1
9	FUEL FILTER	49172.82	1
10	ENGINE OIL FILTER	49172.77	1
11	JOINT	49173.34	1
12	BONDED TRIMMING	49173.41	1
13	COPPER TRIMMING	49173.45	3
14	PRESSURE TEST	49173.49	1
15	TEE FITTING	49173.56	1

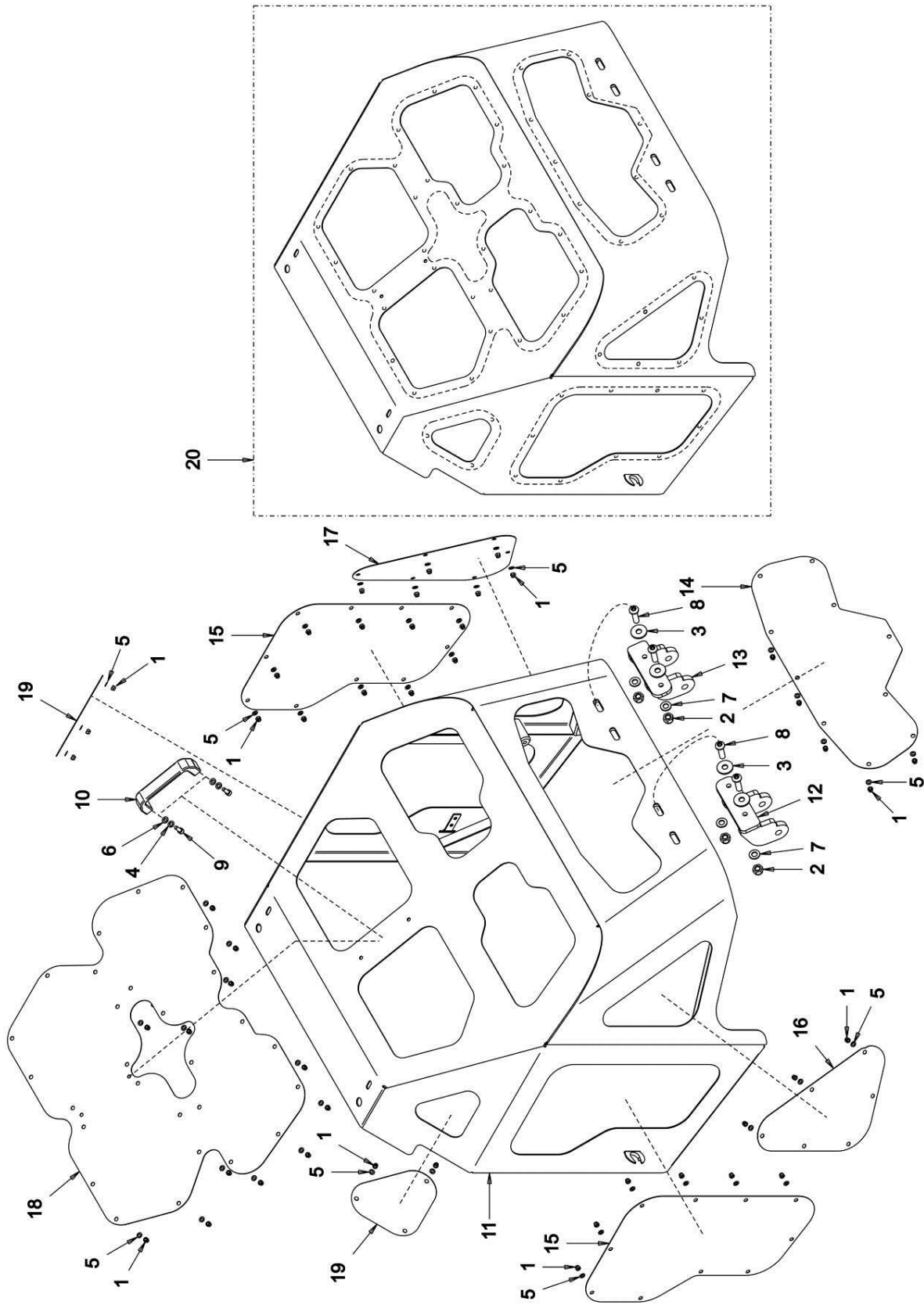
17.0 ENGINE AND COMPONENTS



18.0 FRONT HOOD

N°	Description	BT item No.	Qty
1	SELF-LOCKING NUT	49171.03	76
2	SELF-LOCKING NUT	49171.06	4
3	WASHER	49171.19	4
4	WASHER	49171.20	2
5	PLAIN WASHER	49171.28	76
6	PLAIN WASHER	49171.29	2
7	PLAIN WASHER	49171.31	4
8	SCREW	49171.48	4
9	SCREW	49171.49	2
10	HANDLE	49172.69	1
11	FRONT HOOD	49174.61	1
12	HINGES	49174.68	1
13	HINGES	49174.67	1
14	NET	49174.86	1
15	NET	49174.87	2
16	NET	49174.88	1
17	NET	49174.89	1
18	NET	49174.90	1
19	NET	49174.91	2
20	FRONT HOOD	49174.62	1

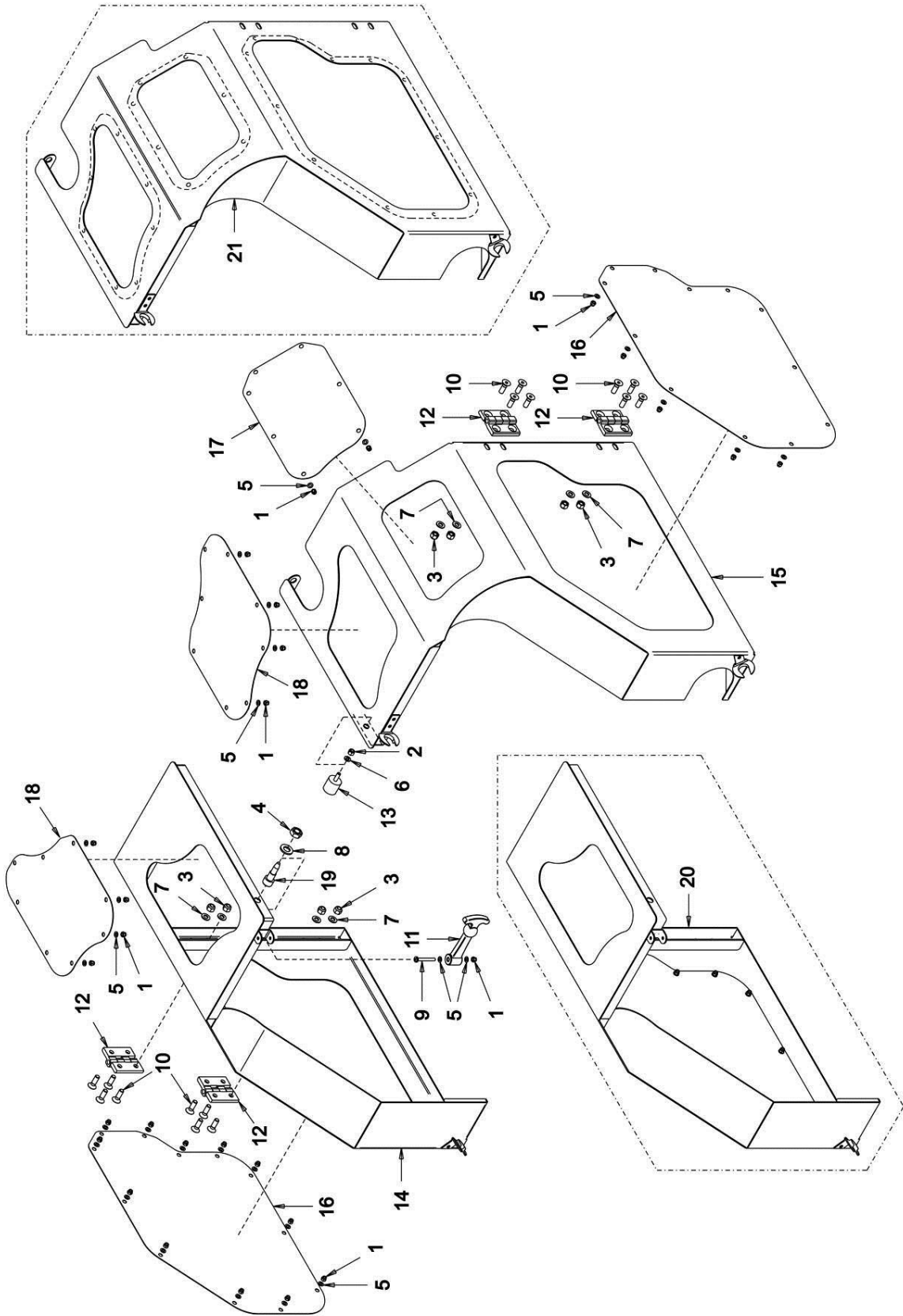
18.0 FRONT HOOD



19.0 SIDE HOODS

N°	Description	BT item No.	Qty
1	SELF-LOCKING NUT	49171.03	55
2	SELF-LOCKING NUT	49171.04	1
3	SELF-LOCKING NUT	49171.05	8
4	NUT	49171.15	1
5	PLAIN WASHER	49171.28	56
6	PLAIN WASHER	49171.29	1
7	PLAIN WASHER	49171.30	8
8	PLAIN WASHER	49171.32	1
9	SCREW	49171.47	1
10	SCREW	49171.93	16
11	MID ROD	49172.01	1
12	HINGE	49172.20	4
13	ANTIVIBRATION	49173.92	1
14	RIGHT SIDE HOOD	49174.63	1
15	LIFT SIDE FAIRING	49174.64	1
16	NET	49174.92	2
17	NET	49174.93	2
18	NET	49174.94	2
19	SCREW	49175.48	1
20	RIGHT SIDE HOOD	49174.65	1
21	LEFT SIDE HOOD	49174.66	1

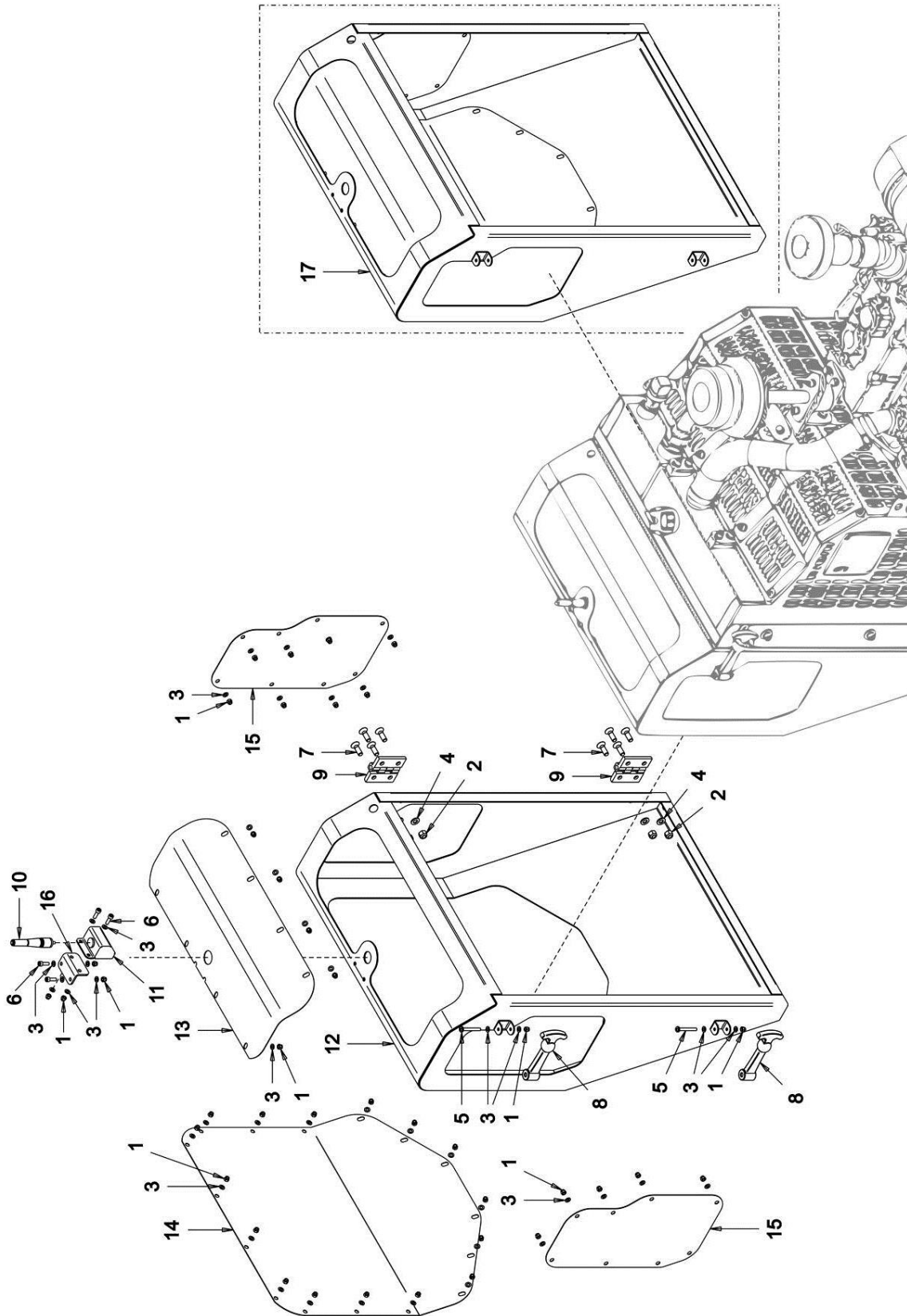
19.0 SIDE HOODS



20.0 REAR HOOD

N°	Description	BT item No.	Qty
1	SELF-LOCKING NUT	49171.03	46
2	SELF-LOCKING NUT	49171.05	4
3	PLAIN WASHER	49171.28	52
4	PLAIN WASHER	49171.30	4
5	SCREW	49171.47	2
6	SCREW	49171.49	4
7	SCREW	49171.93	8
8	MID ROD	49172.01	2
9	HINGE	49172.20	2
10	RECEIVER FEELER	49172.30	1
11	EXTENSION CABLE	49172.32	1
12	CARTER FOR HEAT EXCHANGER	49174.69	1
13	NET	49174.95	1
14	NET	49174.96	1
15	NET	49174.97	2
16	BRACKET	49175.29	1
17	HOOD	49174.70	1

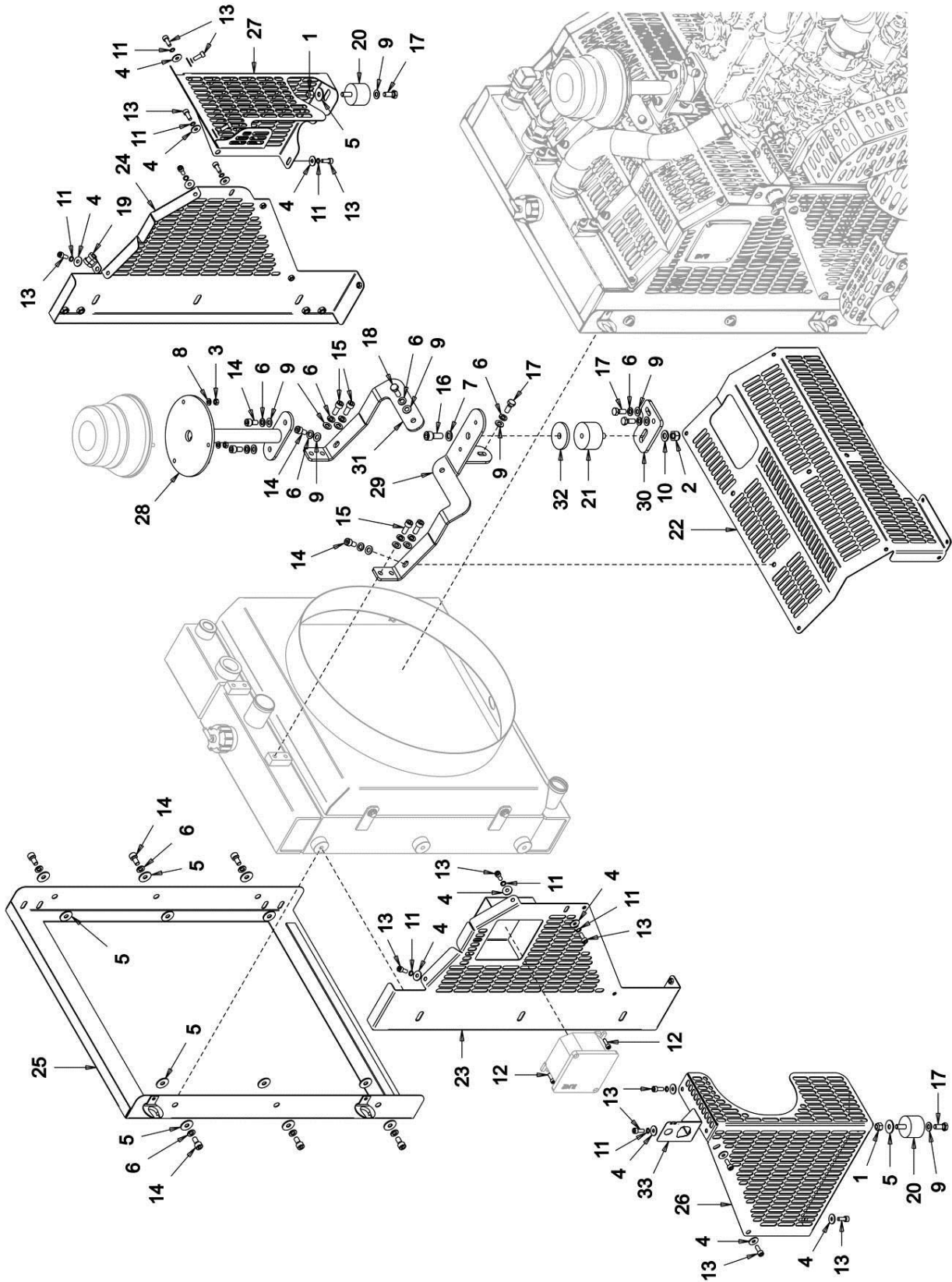
20.0 REAR HOOD



21.0 HEAT EXCHANGER HOOD

N°	Description	BT item No.	Qty
1	SELF-LOCKING NUT	49171.05	2
2	SELF-LOCKING NUT	49171.06	1
3	NUT	49171.12	3
4	WASHER	49171.18	16
5	WASHER	49171.18	14
6	WASHER	49171.21	18
7	WASHER	49171.22	1
8	PLAIN WASHER	49171.29	3
9	PLAIN WASHER	49171.30	14
10	PLAIN WASHER	49171.31	1
11	SCHNORR WASHER	49171.38	16
12	SCREW	49171.49	2
13	SCREW	49171.49	16
14	SCREW	49171.54	10
15	SCREW	49171.55	4
16	SCREW	49171.59	1
17	SCREW	49171.69	5
18	SCREW	49171.70	1
19	FAIRLEAD	49172.03	1
20	ANTIVIBRATION	49173.93	2
21	ANTIVIBRATION	49173.95	1
22	ENGINE HOOD	49174.77	1
23	ENGINE HOOD	49174.78	1
24	ENGINE HOOD	49174.79	1
25	ENGINE HOOD	49174.80	1
26	ENGINE HOOD	49174.82	1
27	ENGINE HOOD	49174.83	1
28	SUPPORT	49175.11	1
29	BRACKET	49175.12	1
30	ENGINE RADIATOR	49175.23	1
31	ENGINE RADIATOR	49175.24	1
32	ANTIVIBRATION WASHER	49175.34	1
33	BRACKET	49175.35	1

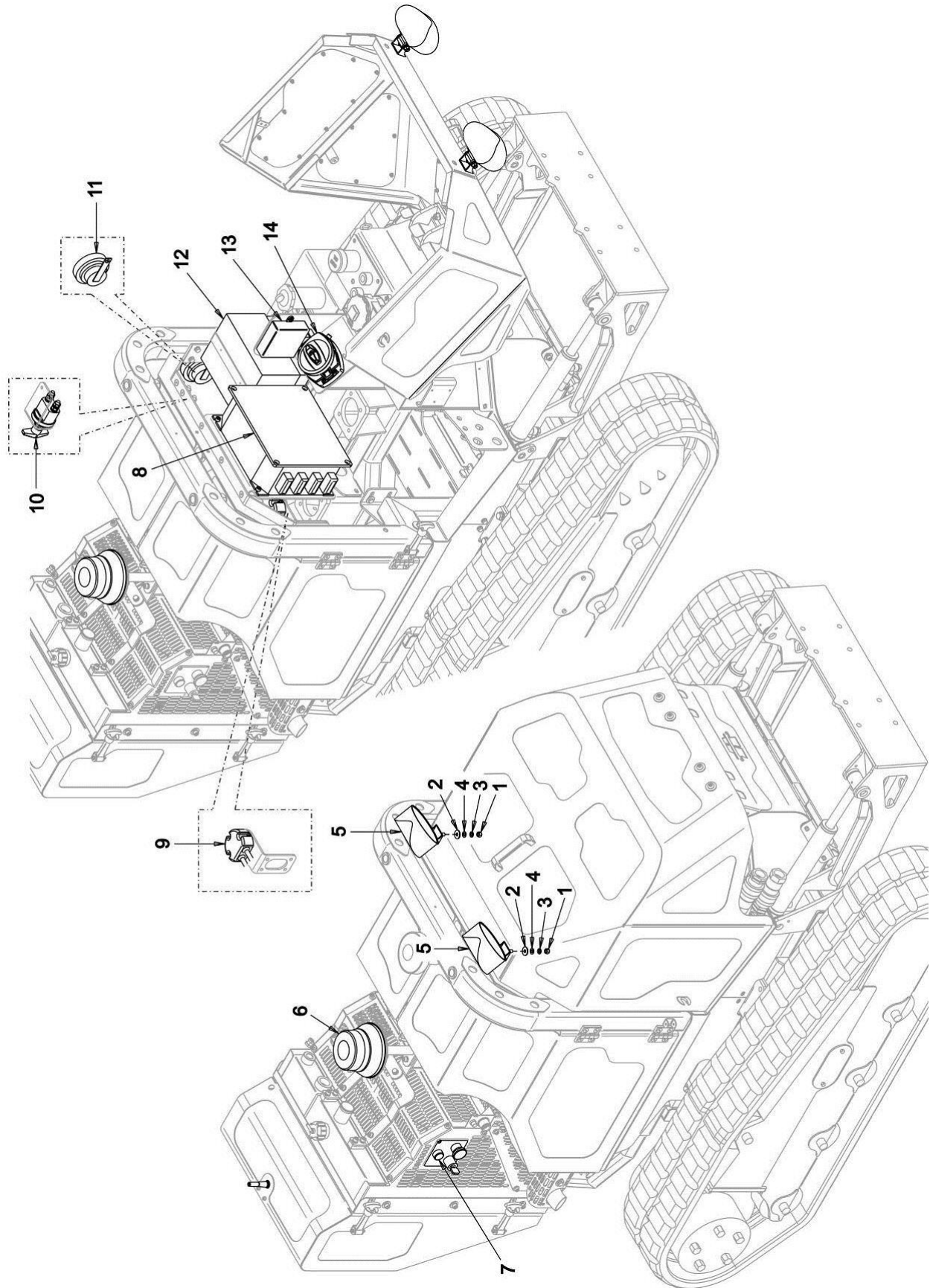
21.0 HEAT EXCHANGER HOOD



22.0 ELECTRICAL SYSTEM COMPONENTS

N°	Description	BT item No.	Qty
1	SELF-LOCKING NUT	49171.05	2
2	WASHER	49171.18	2
3	WASHER	49171.21	2
4	PLAIN WASHER	49171.30	2
5	LED LIGHTS	49172.53	2
6	LED FLASHING	49172.54	1
7	WIRING KEY HOLDER	49172.52	1
8	ELECTRICAL BOX	49172.51	1
9	CAN CONTROL	49172.57	1
10	MANUAL DISCONNECT SWITCH	49172.25	1
11	BUZZER	49172.21	1
12	BATTERY	49172.22	1
13	CONTROL UNIT	49172.70	1
14	RADIO RECEIVER	49172.35	1
	FLAILBOT CONTROL KEY	49177.04	

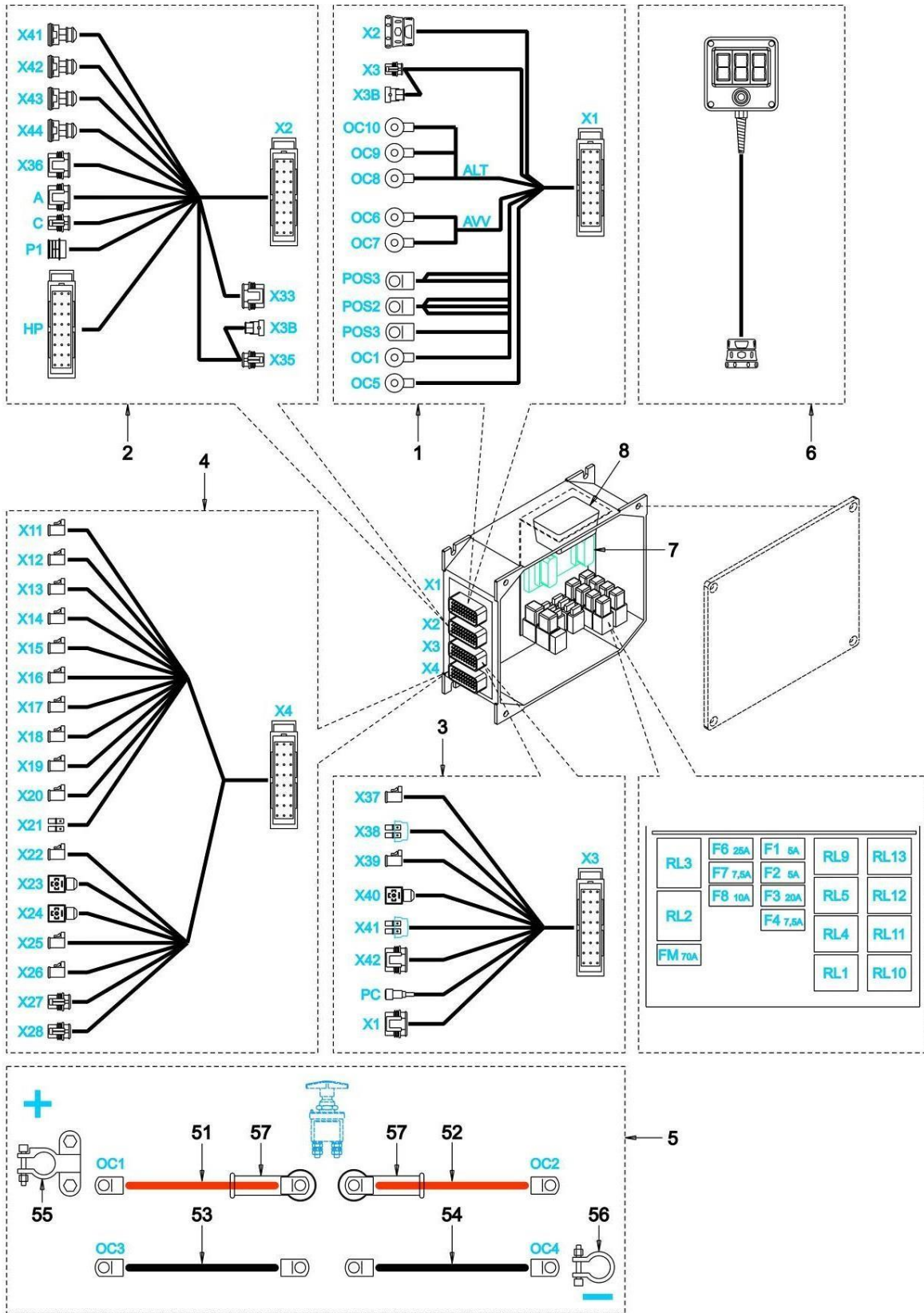
22.0 ELECTRICAL SYSTEM COMPONENTS



23.0 ELECTRICAL SYSTEM WIRING

N°	Description	BT item No.	Qty
1	WIRING LOOM	49172.49	1
2	WIRING LOOM	49172.50	1
3	WIRING LOOM	49172.42	1
4	WIRING LOOM	49172.41	1
5	BATTERY POWER LOOM	49172.48	1
6	CNTL PANEL	49172.43	1
7	EXPANSION UNIT	49172.56	1
8	EXPANSION UNIT	49172.55	1
51	CLAMP	49172.44	1
52	STARTER MOTOR	49172.45	1
53	ENGINE FRAME	49172.46	1
54	ENGINE FRAME	49172.47	1
55	BATTERY CLAMP POS	49172.27	1
56	BATTERY CLAMP	49172.26	1
57	RUBBER CAPS	49172.24	2

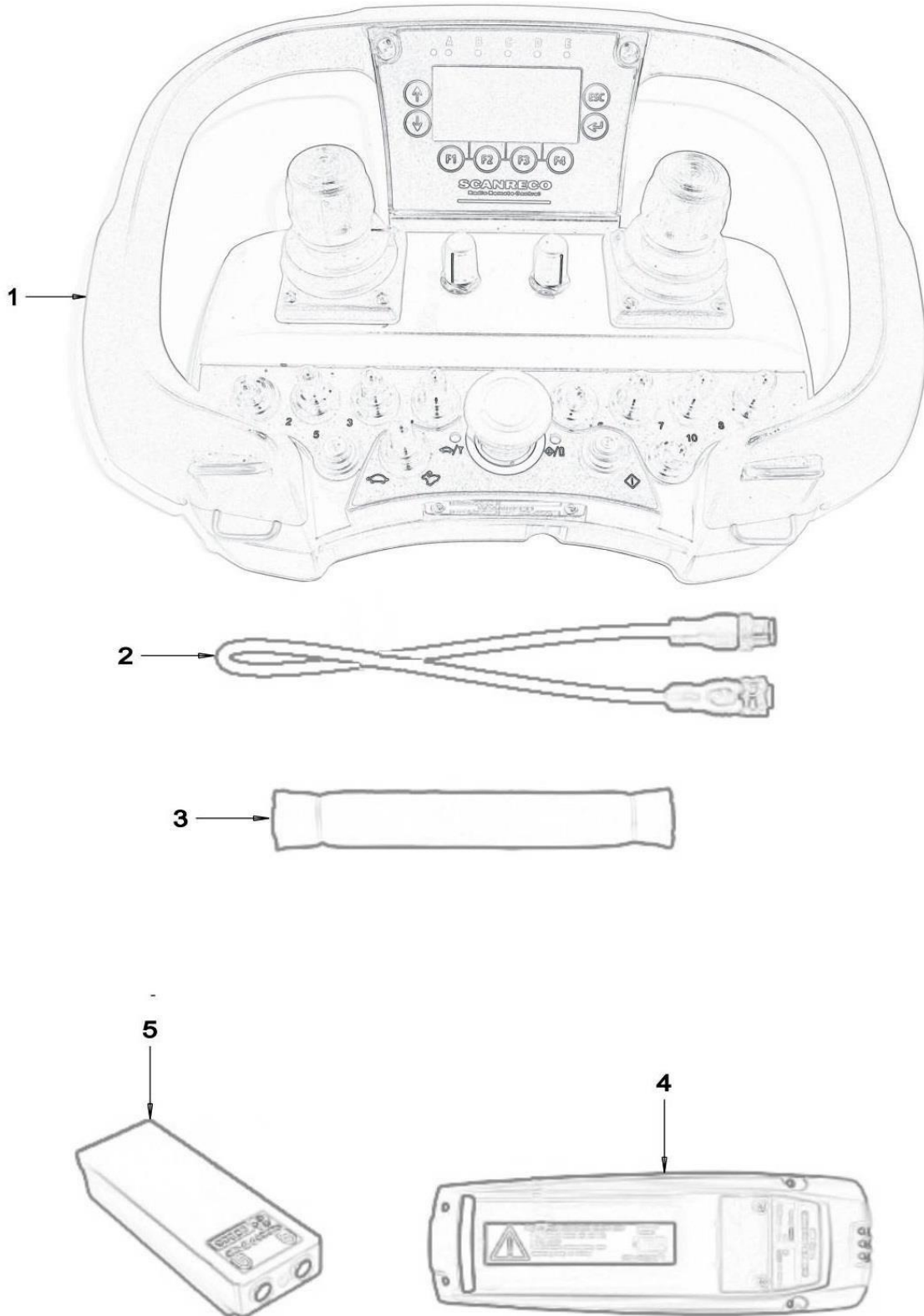
23.0 ELECTRICAL SYSTEM WIRING



24.0 RADIO CONTROL AND ACCESSORIES

N°	Description	BT item No.	Qty
1	RADIO CONTROL	49172.34	1
2	SERIAL CABLE	49172.29	1
3	BELT	49172.31	1
4	BATTERY CHARGE	49172.33	1
5	BATTERY	49172.28	1
	AERIAL (RECEIVER)	49172.30	
	BATTERY FOR HAND-SET	49177.18	

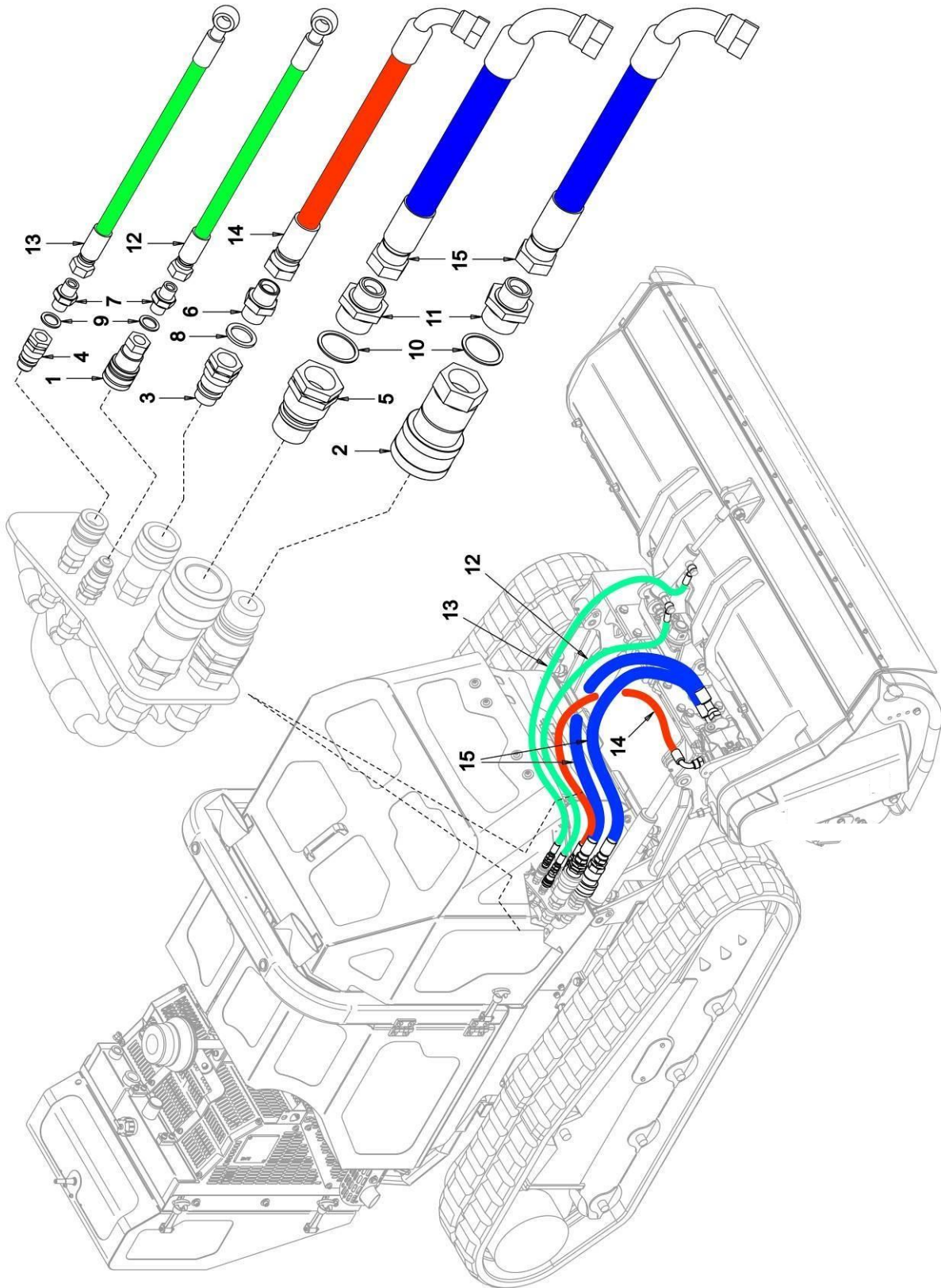
24.0 RADIO CONTROL AND ACCESSORIES



25.0 HEAD SUPPLY PIPES

N°	Description	BT item No.	Qty
1	FEMALE RAPID ATTACK	49173.29	1
2	RAPID ATTACK FLAT FACE	49173.26	1
3	MALE RAPID ATTACK	49173.30	1
4	MALE RAPID ATTACK	49173.31	1
5	RAPID ATTACK FLAT FACE	49173.27	1
6	JOINT	49173.32	1
7	JOINT	49173.33	2
8	BONDED TRIMMING	49173.38	1
9	COPPER TRIMMING	49173.44	2
10	COPPER TRIMMING	49173.46	2
11	JOINT	49173.35	2
12	OIL PIPE	49174.39	1
13	OIL PIPE	49174.40	1
14	OIL PIPE	49174.14	1
15	OIL PIPE	49174.28	2

25.0 HEAD SUPPLY PIPES



26.0 DRUM WINCH

N°	Description	BT item No.	Qty
1	SELF-LOCKING NUT	49171.06	4
2	EYEBOLT	49171.16	1
3	WASHER	49171.22	2
4	WASHER	49171.24	1
5	PLAIN WASHER	49171.28	3
6	PLAIN WASHER	49171.29	2
7	PLAIN WASHER	49171.31	6
8	PLAIN WASHER	49171.35	1
9	SCREW	49171.47	3
10	SCREW	49171.53	2
11	SCREW	49171.76	2
12	SCREW	49171.78	4
13	SCREW	49171.89	1
14	SCREW	49171.91	2
15	CONNECTOR	49172.23	1
16	DRUM WINCH	49173.08	1
17	WINCH HOLDER	49175.17	1
18	WINCH OUTLET HOLDER	49175.36	1

26.0 DRUM WINCH

