

PM 1848

***FLAIL-KING***  
***1200, 1500, ISMP CUTTING HEADS***

PARTS MANUAL

ISSUE 3

## IMPORTANT

NOTE HERE THE SERIAL NUMBER OF YOUR MACHINE AND ALWAYS QUOTE THEM IN ANY COMMUNICATION WITH US OR YOUR DEALER. THIS IS PARTICULARLY IMPORTANT WHEN ORDERING SPARES. REMEMBER TO INCLUDE ALL NUMBERS AND LETTERS.

MACHINE SERIAL NUMBERS.....

THE INFORMATION GIVEN THROUGHOUT THIS MANUAL IS CORRECT AT THE TIME OF PUBLICATION, HOWEVER, IN THE COURSE OF CONSTANT DEVELOPMENT OF BOMFORD TURNER MACHINES CHANGES IN SPECIFICATION ARE INEVITABLE. SHOULD YOU FIND THE INFORMATION GIVEN IN THIS BOOK TO BE AT VARIANCE WITH THE MACHINE IN YOUR POSSESSION, YOU ARE ADVISED TO CONTACT THE BOMFORD TURNER SERVICE DEPARTMENT WHERE UP-TO-DATE INFORMATION WILL BE PROVIDED.

THE MANUAL CAN CONTAIN STANDARD AND OPTIONAL FEATURES AND IS NOT TO BE USED AS A MACHINE SPECIFICATION.

THE MACHINE HAS BEEN TESTED AND IS CONSIDERED SAFE IF CAREFULLY USED. ENSURE YOUR OPERATOR IS PROPERLY TRAINED IN ITS USE AND MAINTENANCE.

---

## IMPORTANT

NOTEZ ICI LES NUMEROS DE SERIE DE VOTRE MACHINE ET MENTIONNEZ LES DANS TOUTE COMMUNICATION AVEC NOS SERVICES OU VOTRE REVENDEUR. CECI EST IMPORTANT POUR LA COMMANDE DE PIECES DETACHEES. PENSEZ A NOTER TOUS LES NUMEROS ET TOUTES LES LETTRES.

NUMEROS DE SERIE DE LA MACHINE.....

LES INFORMATIONS DONNEES DANS CE MANUEL SONT CORRECTES CEPENDANT, DU FAIT DU DEVELOPPEMENT CONSTANT DES MACHINES BOMFORD TURNER.

CHANGEMENTS DANS LES CARACTERISTIQUES SONT INEVITABLES.

SI VOUS TROUVEZ QUE LES INFORMATIONS DONNEES NE CORRESPONDENT PAS A VOTRE MACHINE VEUILLEZ CONTACTER LE SERVICE DES REPARATIONS OU DES INFORMATIONS PLUS RECENTES VOUS SERONT DONNEES.

CE MANUEL PEUT MONTRER DES CARACTERISTIQUES OPTIONNELLES ET NE PEUT PAS ETRE CONSIDERE COMME SPECIFICATION DE LA MACHINE.

CETTE MACHINE A ETE TESTEE, ET ELLE EST CONSIDEREE COMME FIABLE A CONDITION D'UNE BONNE UTILISATION. ASSUREZ-VOUS QUE VOTRE OPERATEUR EST QUALIFIE EN CE QUI CONCERNE L'UTILISATION DE LA MACHINE AINSI QUE SON ENTRETIEN.

---

## WICHTIG

TRAGEN SIE HIER DIE SERIENNUMMERN IHRER MASCHINE EIN UND GEBEN SIE DIESE IMMER AN, WENN SIE SICH AN UNS ODER IHREN HÄNDLER WENDEN. DAS IST BESONDERS BEI ERSATZTEILBESTELLUNGEN WICHTIG. VERGESSEN SIE NICHT, ALLE ZAHLEN UND BUCHSTABEN ZU NOTIEREN.

SERIENNUMMERN DER MASCHINE.....

DIE ANGABEN IN DIESEM HANDBUCH SIND BEI VERÖFFENTLICHUNG KORREKT. AUFGRUND DER KONSTANTEN WEITERENTWICKLUNG VON BOMFORD TURNER MASCHINEN SIND JEDOCHÄNDERUNGEN IN DER SPEZIFIKATION UNVERMEIDLICH. WENN DIE INFORMATION IN DIESEM HANDBUCH NICHT MIT IHRER MASCHINE ÜBEREINSTIMMEN, NEHMEN SIE BITTE KONTAKT MIT DER BOMFORD TURNER KUNDENDIENSTABTEILUNG AUF, DIE IHNEN GERNE DIE AKTUELLEN INFORMATION ZUKOMMEN LÄSST.

DAS HANDBUCH KANN SOWOHL BESCHREIBUNGEN FÜR DIE STANDARD AUSFÜHRUNG ALS AUCH FÜR ZUBEHÖR ENTHALTEN UND IST NICHT ALS MASCHINENSPEZIFIKATION ZU VERWENDEN.

DIE MASCHINE IST GETESTET UND BEI SACHGEMÄSSEM BETRIEB ALS SICHER BEFUNDEN WORDEN. SORGEN SIE DAFÜR, DASS IHR BEDIENPERSONAL IN ANWENDUNG UND WARTUNG RICHTIG GESCHULT WIRD.

## ***FLAIL- KING 1200, 1500 & ISMP PARTS MANUAL***

*PAGE AND ILLUSTRATION NUMBERS SHOWN ARE USED ONLY FOR REFERENCE PURPOSES AND SHOULD NOT BE USED FOR ORDERING SPARE PARTS*

*PLEASE ENSURE THAT THE CORRECT PART NUMBER AND DESCRIPTION IS GIVEN WHEN ORDERING PARTS TOGETHER WITH THE SERIAL NUMBER OF THE HEAD.*

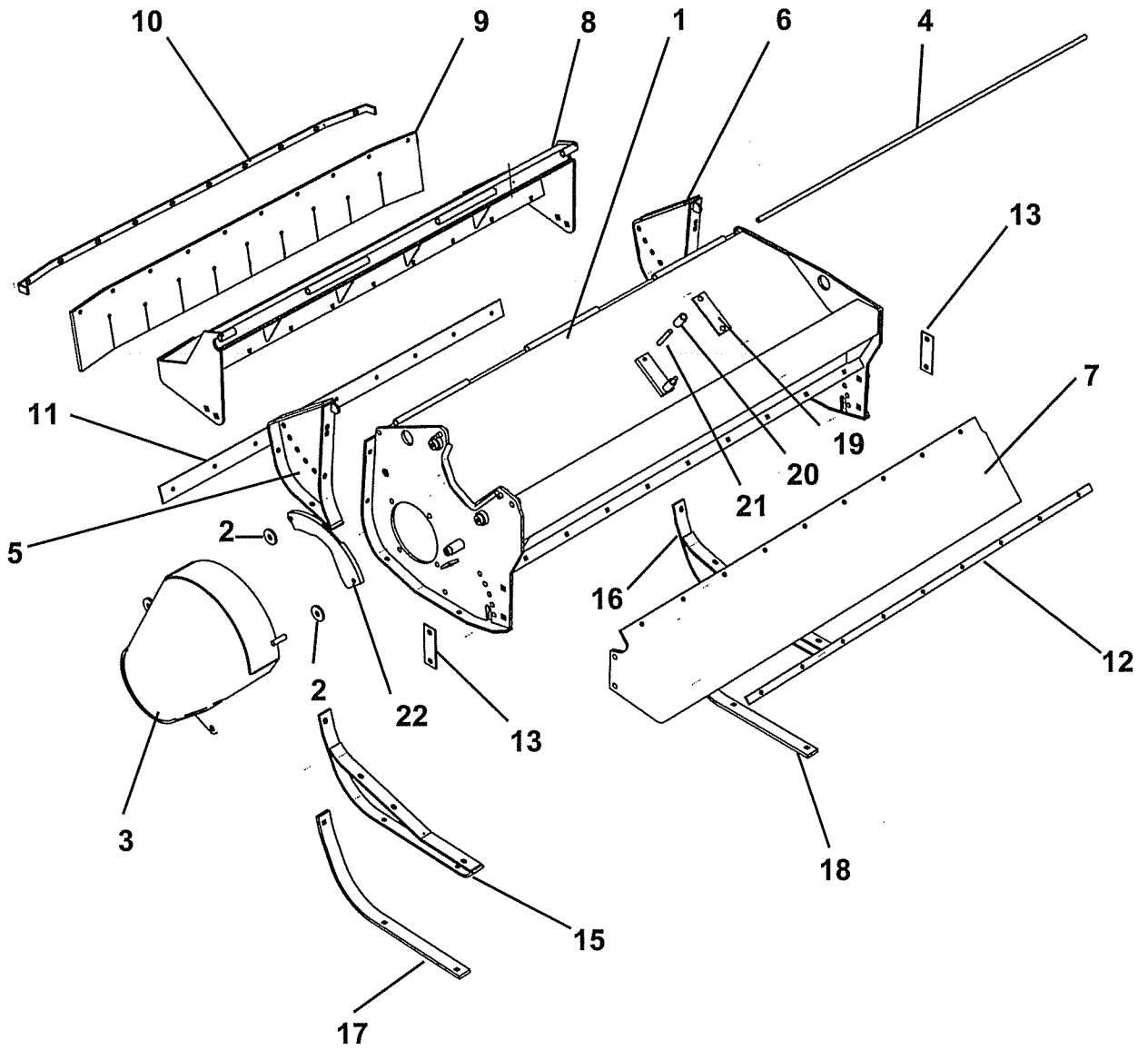
<b>Page No.</b>	<b>Section</b>
2 – 1 to 2 – 9	COWL ASSEMBLY 1200 COWL ASSEMBLY 1500 COWL ASSEMBLY ISMP
3 – 1 to 3 – 2	BEARING ASSEMBLY
4 – 1 to 4 – 2	ROLLER ASSEMBLIES 1200 & 1500
5 – 1 to 5 – 4	MOTOR ASSEMBLIES
6 – 1 to 6 – 2	ROTOR SHAFT ASSEMBLIES – 1200
7 – 1 to 7 – 2	ROTOR SHAFT ASSEMBLIES – 1500
8 – 1 to 8 – 2	ROTORSHAFT ASSEMBLIES - BUSHMASTER
9 – 1 to 9 – 2	DECALS

### **IMPORTANT**

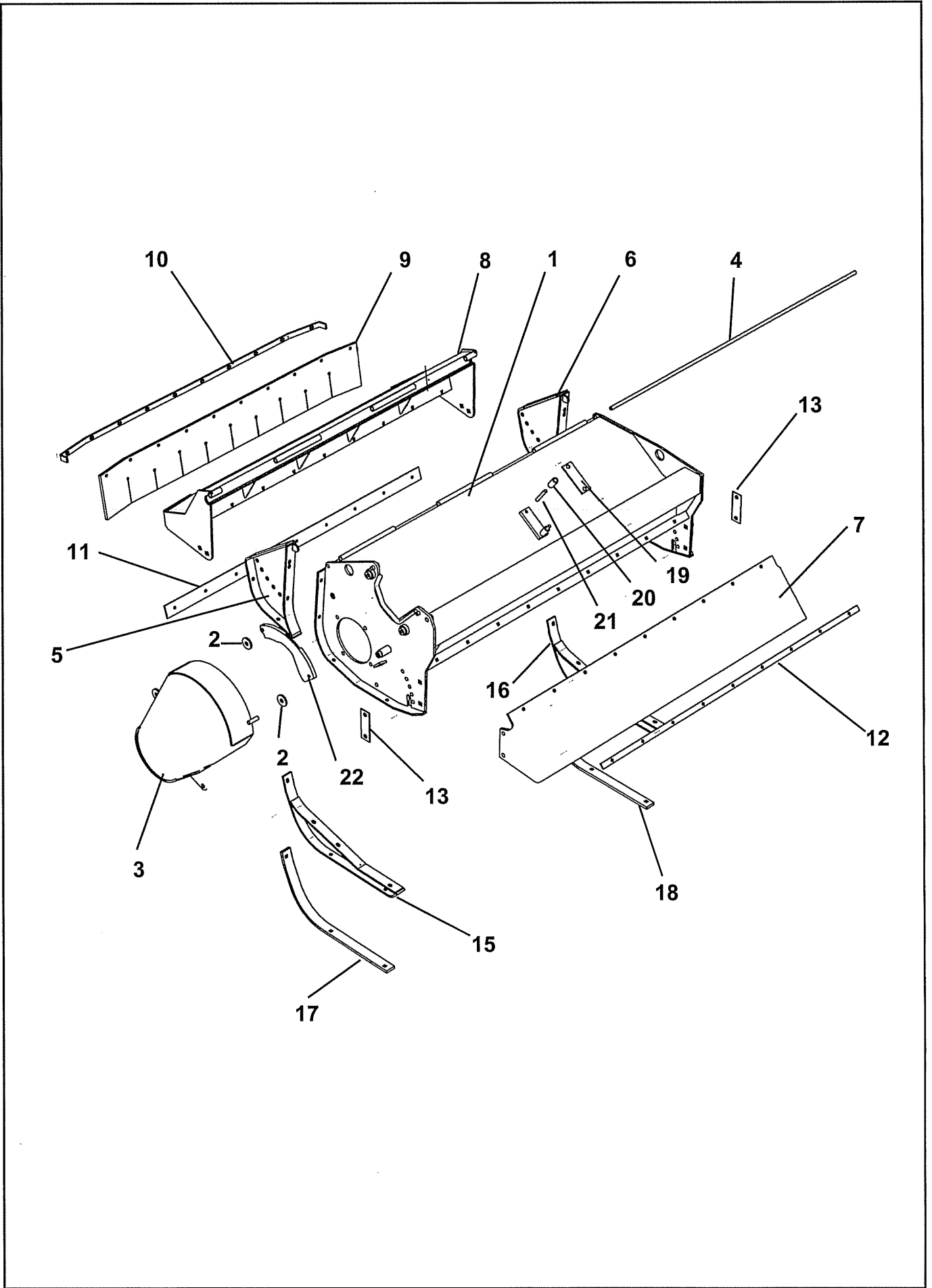
**THIS MACHINE IS DESIGNED FOR VEGETATION CONTROL  
AND MUST NOT BE USED FOR ANY OTHER PURPOSE**

**IT IS POTENTIALLY HAZARDOUS TO FIT OR USE  
ANY PARTS OTHER THAN GENUINE BOMFORD TURNER PARTS**

**THE COMPANY DISCLAIMS ALL LIABILITY FOR THE  
CONSEQUENCES OF SUCH USE, WHICH IN ADDITION  
VOIDS THE MACHINE WARRANTY**

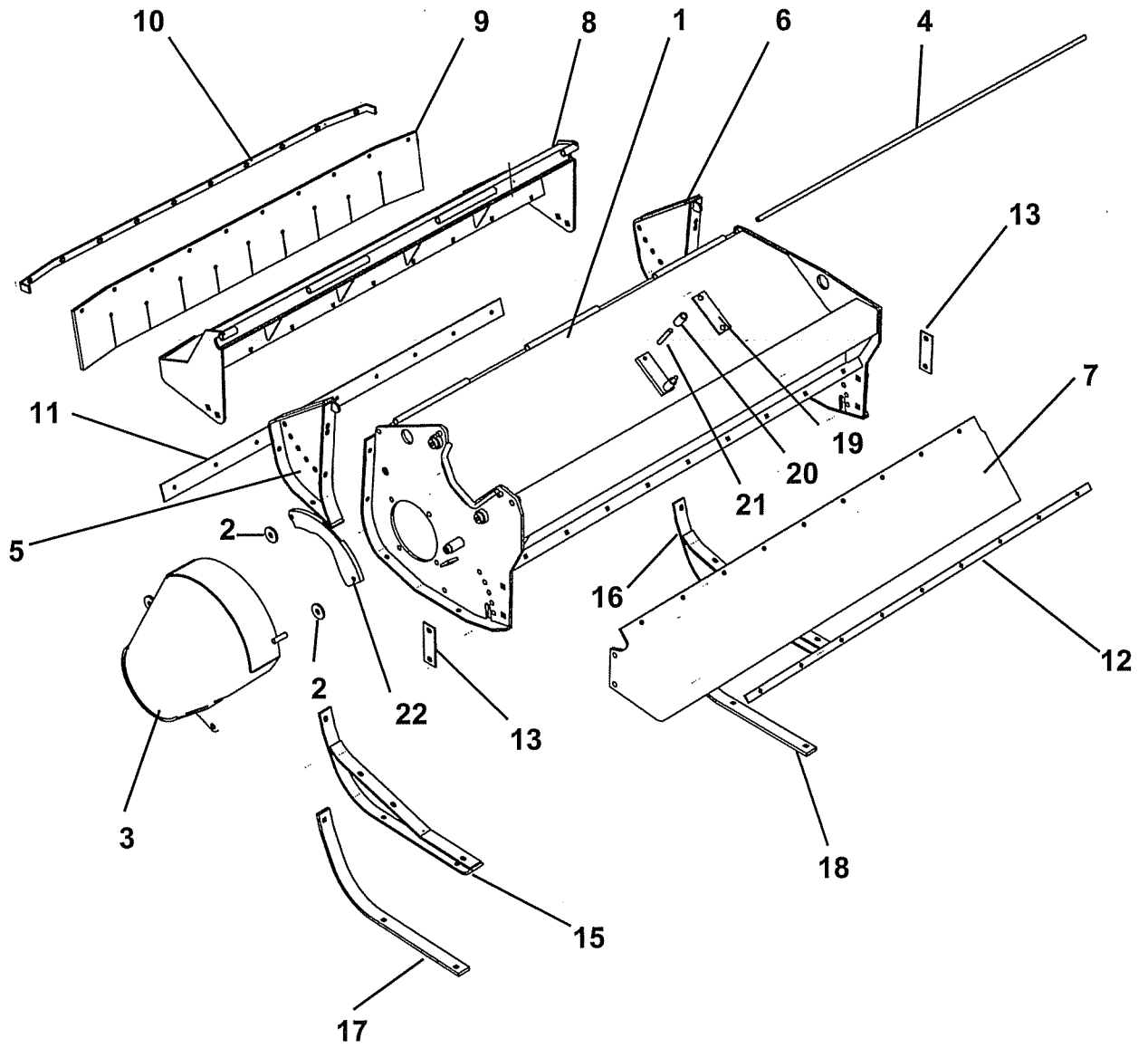


REF	PART NO	DESCRIPTION	QTY
<b>76.716.01 COWL ASSEMBLY 1200 8202</b>			
01	05.774.07	SERIAL NO. PLATE BOMFORDTURNER	1
01	05.227.01	HAMMER DRIVE SCREW NO.6X3/8"	2
01	05.264.21	SETSCREW M12 X 20MM PLATED*	1
01	05.281.03	FLAT WASHER 12MM PLATED*	1
01	05.282.03	SPRING WASHER 12MM PLATED*	7
01	05.286.03	NUT M12 PLATED*	6
01	05.839.34	BOLT CUP SQ M12 X 35 (PLATED)	5
01	05.839.35	BOLT CUP SQ M12 X 40 (PLATED)	1
01*	43550.01	COWL - 1200 LH	1
02	05.264.22	SETSCREW M12 X 25MM PLATED*	2
02	05.282.03	SPRING WASHER 12MM PLATED*	2
02*	45282.01	WASHER	2
03	05.264.21	SETSCREW M12 X 20MM PLATED*	1
03	05.282.03	SPRING WASHER 12MM PLATED*	2
03	05.286.03	NUT M12 PLATED*	1
03*	45299.01	GUARD - DRIVE LH	1
04	45279.01	PIN - PIVOT 1200	1
05	05.264.12	SETSCREW M10 X 25MM PLATED*	2
05	05.287.02	SELF-LOCKING NUT M10 PLATED*	2
05*	45270.01	GUARD - SIDEPLATE LH	1
06	05.264.12	SETSCREW M10 X 25MM PLATED*	2
06	05.287.02	SELF-LOCKING NUT M10 PLATED*	2
06*	45270.02	GUARD - SIDEPLATE RH	1
07	41884.01	GUARD - FLEXIBLE REAR 1200	1
08	05.282.03	SPRING WASHER 12MM PLATED*	2
08	05.286.03	NUT M12 PLATED*	2
08	05.839.26	BOLT CUP SQ M12 X 30 (PLATED)	2
08*	45278.01	GUARD - FRONT 1200	1
09	45295.01	GUARD - FLEXIBLE FRONT 1200	1
10	05.287.01	SELF-LOCKING NUT M8 PLATED*	10
10*	45294.01	STRIP - BACKING 1200	1
10	9293064	BOLT CUP SQUARE M8X30 (PLATED)	10
11	05.287.01	SELF-LOCKING NUT M8 PLATED*	9
11*	45296.01	STRIP - WIRE 1200	1
11	9293054	BOLT CUP SQUARE M8X25 (PLATE)	9
12	05.287.01	SELF-LOCKING NUT M8 PLATED*	9
12*	09.594.03	STRIP - BACKING 1200	1
12	9293054	BOLT CUP SQUARE M8X25 (PLATE)	9
13	05.287.03	SELF-LOCKING NUT M12 PLATED*	4
13	05.839.26	BOLT CUP SQ M12 X 30 (PLATED)	4
13*	41883.01	CLAMP - GUARD	2
15	05.264.12	SETSCREW M10 X 25MM PLATED*	3
15	05.287.02	SELF-LOCKING NUT M10 PLATED*	3
15*	45287.01	BRACKET - SIDEPLATE LH	1
16	05.264.12	SETSCREW M10 X 25MM PLATED*	3
16	05.287.02	SELF-LOCKING NUT M10 PLATED*	3
16*	45287.02	BRACKET - SIDEPLATE RH	1
17	05.211.50	BOLT M10 X 35 SQ SHLDR SCK Z/P	1
17	05.287.02	SELF-LOCKING NUT M10 PLATED*	3
17	30.072.96	BOLT M10X30 SQ SHLDR SCK Z/P	2
17*	45291.01	SKID - FRONT LH	1



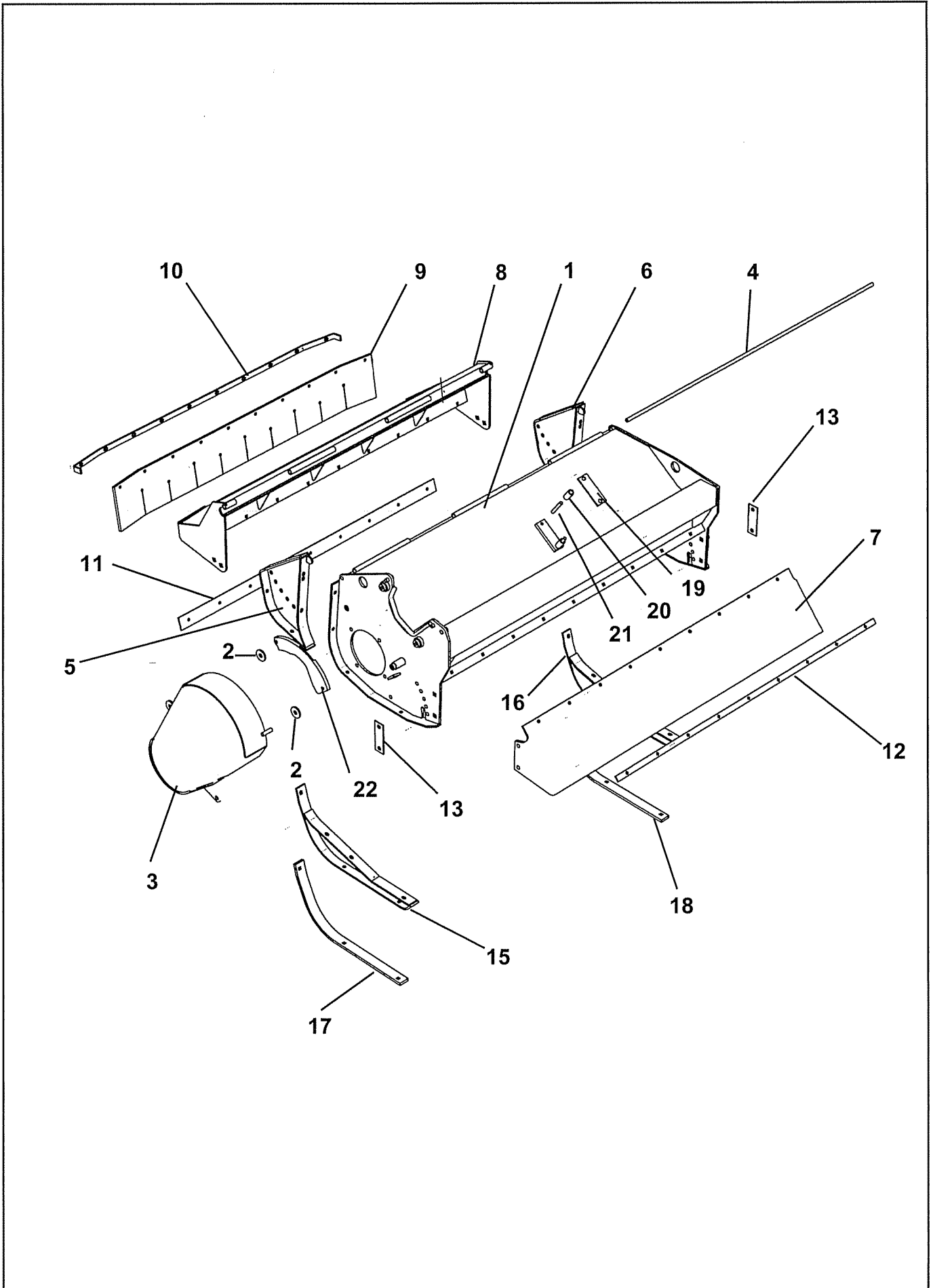
REF	PART NO	DESCRIPTION	QTY
76.716.01 COWL ASSEMBLY 1200 8202 (Continued)			
18	05.211.50	BOLT M10 X 35 SQ SHLDR SCK Z/P	1
18	05.287.02	SELF-LOCKING NUT M10 PLATED*	3
18	30.072.96	BOLT M10X30 SQ SHLDR SCK Z/P	2
18*	45291.02	SKID - FRONT RH	1
19	45531.01	CLAMP - HOSE	1
20	45529.01	SPACER	2
21*	04.282.76	STUD - M10 X 70 PLATED	2
21	05.282.02	SPRING WASHER 10MM PLATED*	2
21	05.286.02	NUT M10 PLATED*	2
22	05.264.21	SETSCREW M12 X 20MM PLATED*	2
22	05.282.03	SPRING WASHER 12MM PLATED*	2
22*	45525.01	SPACER - PLATE	1

\*MAIN PART IN GROUP, RELATED PARTS HAVE THE SAME REFERENCE NUMBER



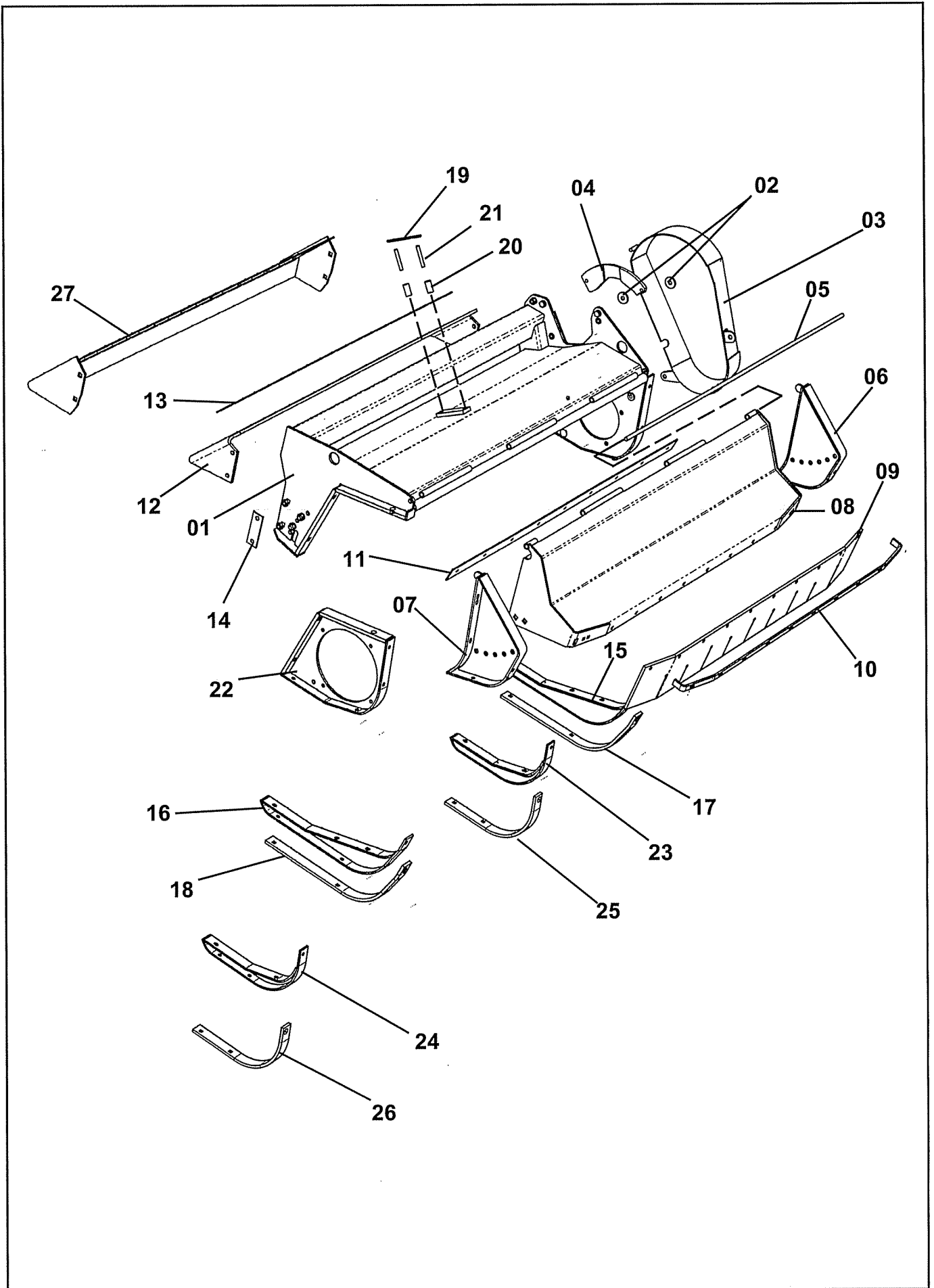


REF	PART NO	DESCRIPTION	QTY
<b>77.082.01 COWL ASSEMBLY 1500 8202</b>			
01	05.774.07	SERIAL NO. PLATE BOMFORDTURNER	1
01	05.227.01	HAMMER DRIVE SCREW NO.6X3/8**	2
01	05.264.21	SETSCREW M12 X 20MM PLATED*	1
01	05.281.03	FLAT WASHER 12MM PLATED*	1
01	05.282.03	SPRING WASHER 12MM PLATED*	7
01	05.286.03	NUT M12 PLATED*	6
01	05.839.34	BOLT CUP SQ M12 X 35 (PLATED)	5
01	05.839.35	BOLT CUP SQ M12 X 40 (PLATED)	1
01*	45599.01	COWL - 1500 LH	1
02	05.264.22	SETSCREW M12 X 25MM PLATED*	2
02	05.282.03	SPRING WASHER 12MM PLATED*	2
02*	45282.01	WASHER	2
03	05.264.21	SETSCREW M12 X 20MM PLATED*	1
03	05.282.03	SPRING WASHER 12MM PLATED*	2
03	05.286.03	NUT M12 PLATED*	1
03*	45299.01	GUARD - DRIVE LH	1
04	45279.01	PIN - PIVOT 1200	1
05	05.264.12	SETSCREW M10 X 25MM PLATED*	2
05	05.287.02	SELF-LOCKING NUT M10 PLATED*	2
05*	45270.01	GUARD - SIDEPLATE LH	1
06	05.264.12	SETSCREW M10 X 25MM PLATED*	2
06	05.287.02	SELF-LOCKING NUT M10 PLATED*	2
06*	45270.02	GUARD - SIDEPLATE RH	1
07	41884.02	GUARD - FLEXIBLE REAR 1500	1
08	05.282.03	SPRING WASHER 12MM PLATED*	2
08	05.286.03	NUT M12 PLATED*	2
08	05.839.26	BOLT CUP SQ M12 X 30 (PLATED)	2
08*	45278.02	GUARD - FRONT 1500	1
09	45295.02	GUARD - FLEXIBLE FRONT 1500	1
10	05.287.01	SELF-LOCKING NUT M8 PLATED*	12
10*	45294.02	STRIP - BACKING 1500	1
10	9293064	BOLT CUP SQUARE M8X30 (PLATED)	12
11	05.287.01	SELF-LOCKING NUT M8 PLATED*	11
11*	45296.02	STRIP - WIRE 1500	1
11	9293054	BOLT CUP SQUARE M8X25 (PLATE)	11
12	05.287.01	SELF-LOCKING NUT M8 PLATED*	11
12*	09.594.04	STRIP - BACKING 1500	1
12	9293054	BOLT CUP SQUARE M8X25 (PLATE)	11
13	05.287.03	SELF-LOCKING NUT M12 PLATED*	4
13	05.839.26	BOLT CUP SQ M12 X 30 (PLATED)	4
13*	41883.01	CLAMP - GUARD	2
15	05.264.12	SETSCREW M10 X 25MM PLATED*	3
15	05.287.02	SELF-LOCKING NUT M10 PLATED*	3
15*	45287.01	BRACKET - SIDEPLATE LH	1
16	05.264.12	SETSCREW M10 X 25MM PLATED*	3
16	05.287.02	SELF-LOCKING NUT M10 PLATED*	3
16*	45287.02	BRACKET - SIDEPLATE RH	1
17	05.211.50	BOLT M10 X 35 SQ SHLDR SCK Z/P	1
17	05.287.02	SELF-LOCKING NUT M10 PLATED*	3
17	30.072.96	BOLT M10X30 SQ SHLDR SCK Z/P	2
17*	45291.01	SKID - FRONT LH	1

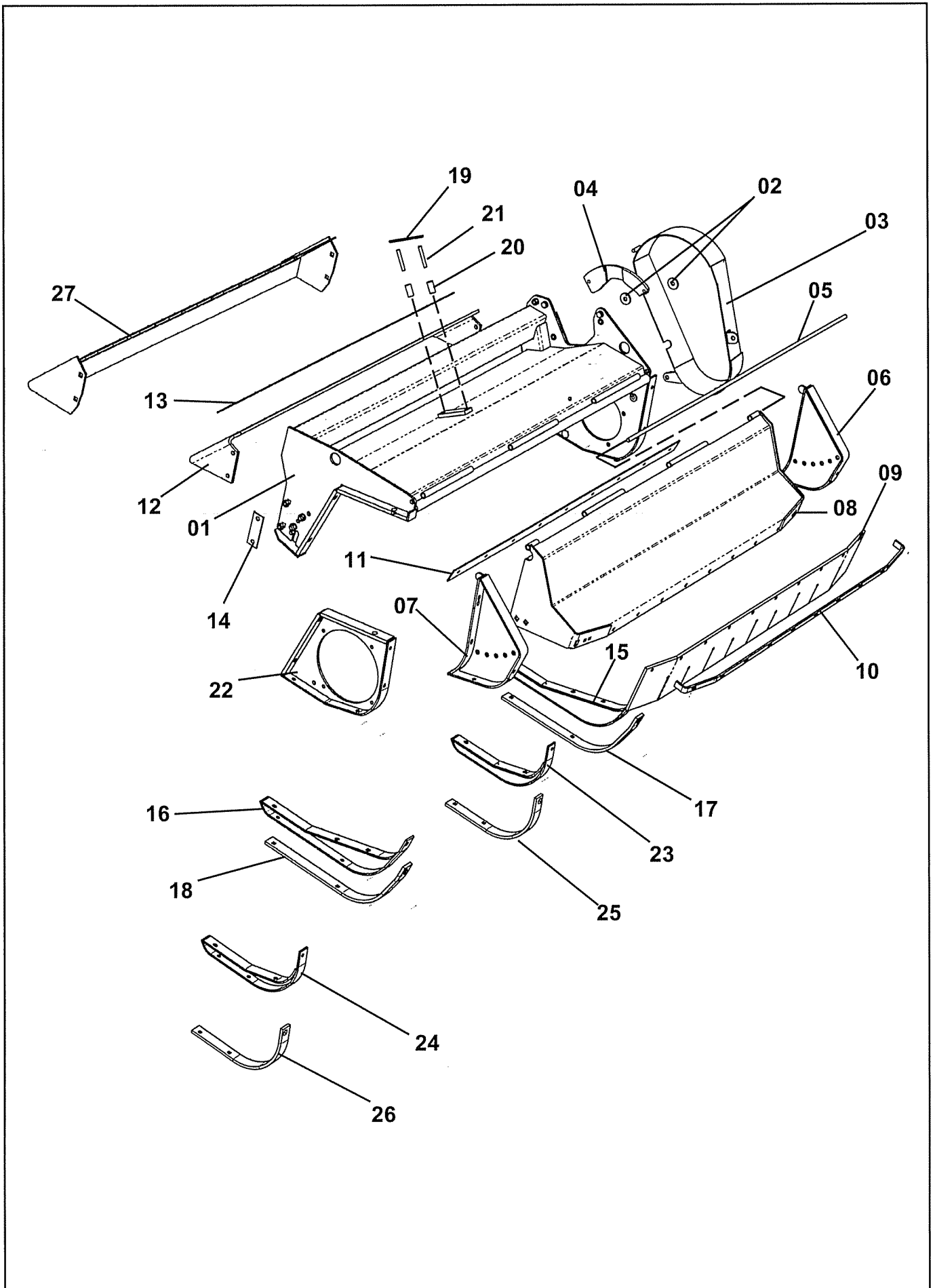


REF	PART NO	DESCRIPTION	QTY
77.082 COWL ASSEMBLY 1500 8202 (Continued)			
18	05.211.50	BOLT M10 X 35 SQ SHLDR SCK Z/P	1
18	05.287.02	SELF-LOCKING NUT M10 PLATED*	3
18	30.072.96	BOLT M10X30 SQ SHLDR SCK Z/P	2
18*	45291.02	SKID - FRONT RH	1
19	45531.01	CLAMP - HOSE	1
20	45529.01	SPACER	2
21*	04.282.76	STUD - M10 X 70 PLATED	2
21	05.282.02	SPRING WASHER 10MM PLATED*	2
21	05.286.02	NUT M10 PLATED*	2
22	05.264.21	SETSCREW M12 X 20MM PLATED*	2
22	05.282.03	SPRING WASHER 12MM PLATED*	2
22*	45525.01	SPACER - PLATE	1

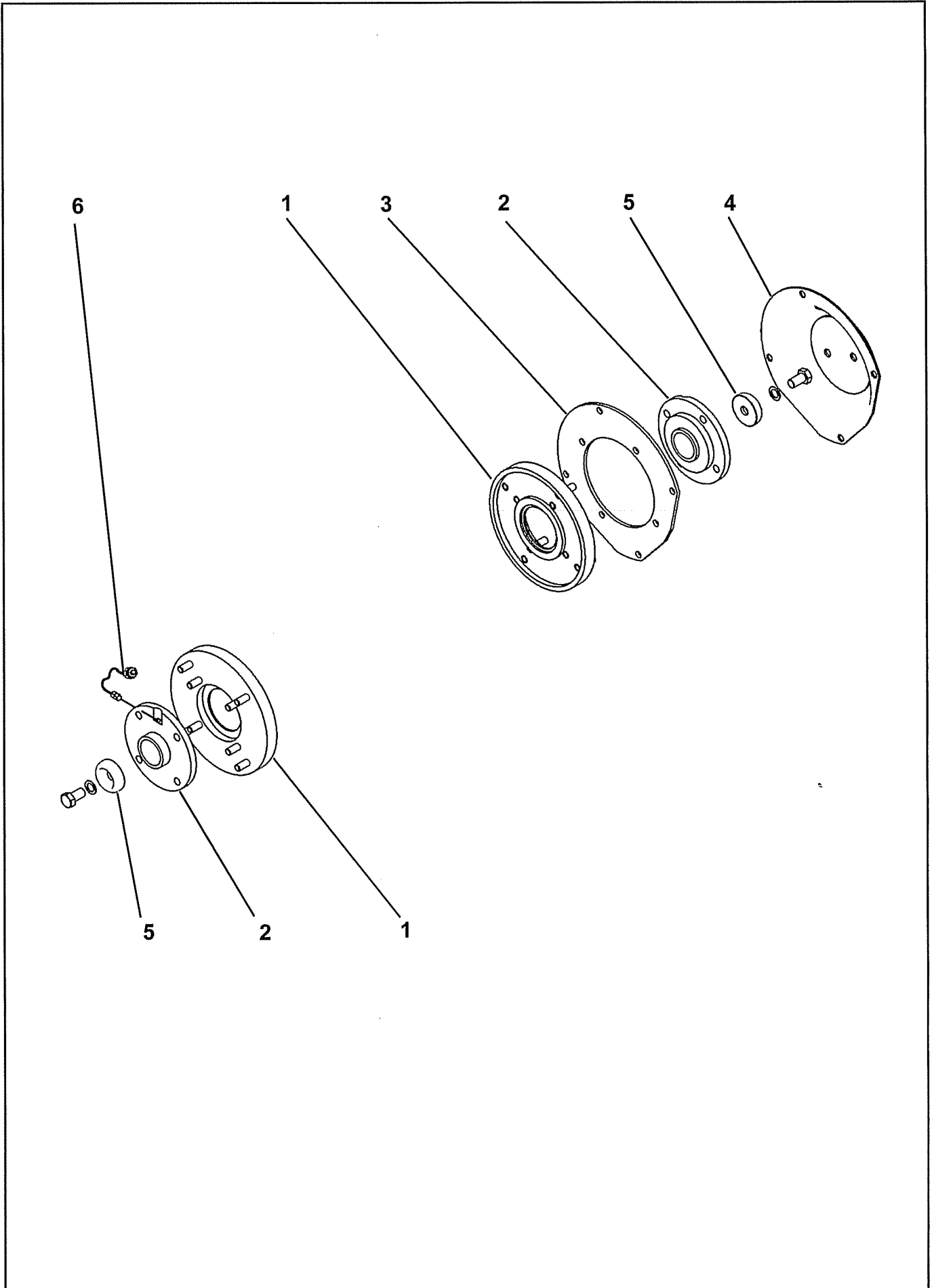
\*MAIN PART IN GROUP, RELATED PARTS HAVE THE SAME REFERENCE NUMBER



REF	PART NO	DESCRIPTION	QTY
<b>76.716.03 COWL ISMP 1200 ASSY 8202</b>			
01	05.227.01	HAMMER DRIVE SCREW NO.6X3/8**	2
01	05.264.21	SETSCREW M12 X 20MM PLATED*	1
01	05.281.03	FLAT WASHER 12MM PLATED*	1
01	05.282.03	SPRING WASHER 12MM PLATED*	7
01	05.286.03	NUT M12 PLATED*	6
01	05.774.06	SERIAL NO.PLATE BOMFORD TURNER	1
01	05.839.34	BOLT CUP SQ M12 X 35 (PLATED)	5
01	05.839.35	BOLT CUP SQ M12 X 40 (PLATED)	1
01	45512.01	COWL - ISMP 1200 LH	1
02	05.264.22	SETSCREW M12 X 25MM PLATED*	2
02	05.282.03	SPRING WASHER 12MM PLATED*	2
02	45282.01	WASHER	2
03	05.264.21	SETSCREW M12 X 20MM PLATED*	1
03	05.282.03	SPRING WASHER 12MM PLATED*	2
03	05.286.03	NUT M12 PLATED*	1
03	45299.01	GUARD - DRIVE LH	1
04	05.264.21	SETSCREW M12 X 20MM PLATED*	2
04	05.282.03	SPRING WASHER 12MM PLATED*	2
04	45525.01	SPACER - PLATE	1
05	45279.01	PIN - PIVOT 1200	1
06	05.264.12	SETSCREW M10 X 25MM PLATED*	2
06	05.287.02	SELF-LOCKING NUT M10 PLATED*	2
06	45270.01	GUARD - SIDEPLATE LH	1
07	05.264.12	SETSCREW M10 X 25MM PLATED*	2
07	05.287.02	SELF-LOCKING NUT M10 PLATED*	2
07	45270.02	GUARD - SIDEPLATE RH	1
08	05.282.03	SPRING WASHER 12MM PLATED*	2
08	05.286.03	NUT M12 PLATED*	2
08	05.839.26	BOLT CUP SQ M12 X 30 (PLATED)	2
08	45278.01	GUARD - FRONT 1200	1
09	45295.01	GUARD - FLEXIBLE FRONT 1200	1
10	05.287.01	SELF-LOCKING NUT M8 PLATED*	10
10	45294.01	STRIP - BACKING 1200	1
10	9293064	BOLT CUP SQUARE M8X30 (PLATED)	10
11	05.287.01	SELF-LOCKING NUT M8 PLATED*	9
11	45296.01	STRIP - WIRE 1200	1
11	9293054	BOLT CUP SQUARE M8X25 (PLATE)	9
12	41884.01	GUARD - FLEXIBLE REAR 1200	1
13	05.287.01	SELF-LOCKING NUT M8 PLATED*	9
13	09.594.03	STRIP - BACKING 1200	1
13	9293054	BOLT CUP SQUARE M8X25 (PLATE)	9
14	05.287.03	SELF-LOCKING NUT M12 PLATED*	4
14	05.839.26	BOLT CUP SQ M12 X 30 (PLATED)	4
14	41883.01	CLAMP - GUARD	2
15	05.264.12	SETSCREW M10 X 25MM PLATED*	3
15	05.287.02	SELF-LOCKING NUT M10 PLATED*	3
15	45287.01	BRACKET - SIDEPLATE LH	1
16	05.264.12	SETSCREW M10 X 25MM PLATED*	3
16	05.287.02	SELF-LOCKING NUT M10 PLATED*	3
16	45287.02	BRACKET - SIDEPLATE RH	1
17	05.211.50	BOLT M10 X 35 SQ SHLDR SCK Z/P	1
17	05.287.02	SELF-LOCKING NUT M10 PLATED*	3
17	30.072.96	BOLT M10X30 SQ SHLDR SCK Z/P	2
17	45291.01	SKID - FRONT LH	1
18	05.211.50	BOLT M10 X 35 SQ SHLDR SCK Z/P	1
18	05.287.02	SELF-LOCKING NUT M10 PLATED*	3
18	30.072.96	BOLT M10X30 SQ SHLDR SCK Z/P	2
18	45291.02	SKID - FRONT RH	1
19	45531.01	CLAMP - HOSE	1
20	45529.01	SPACER	2
21	04.282.76	STUD - M10 X 70 PLATED	2
21	05.282.02	SPRING WASHER 10MM PLATED*	2
21	05.286.02	NUT M10 PLATED*	2
22	05.965.36	SETSCREW M16 X 45MM (FINE)	3
22	05.968.04	S.LOCKING NUT M16 (FINE) PLATE	3
22	45513.02	BRACKET - BEARING MOUNTING RH	1



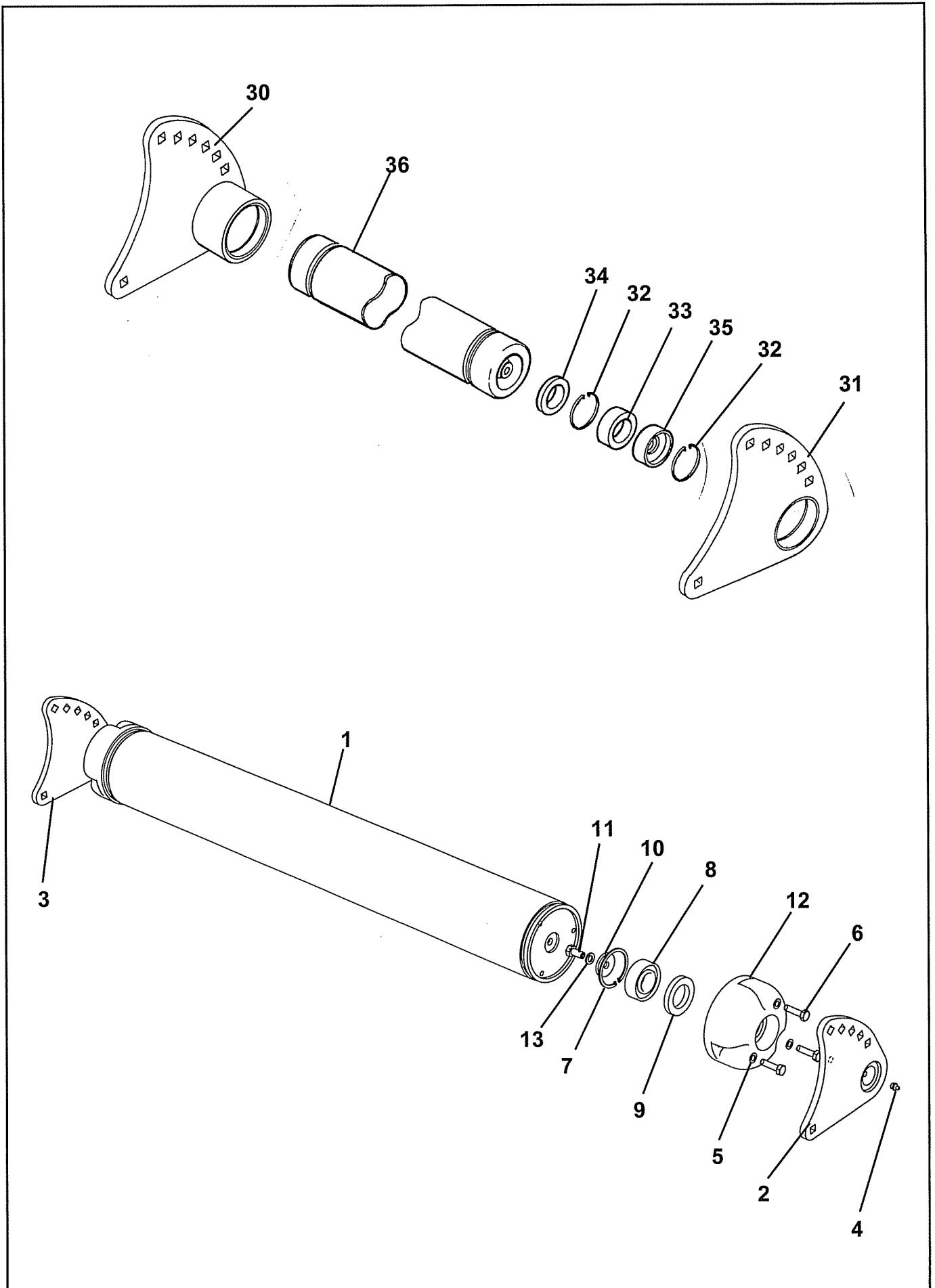
REF	PART NO	DESCRIPTION	QTY
<b>76.716.04 COWL ASSY ISMP1200 REAR 8202</b>			
01	05.227.01	HAMMER DRIVE SCREW NO.6X3/8**	2
01	05.264.21	SETSCREW M12 X 20MM PLATED*	1
01	05.281.03	FLAT WASHER 12MM PLATED*	1
01	05.282.03	SPRING WASHER 12MM PLATED*	7
01	05.286.03	NUT M12 PLATED*	6
01	05.774.06	SERIAL NO.Plate BOMFORD TURNER	1
01	05.839.34	BOLT CUP SQ M12 X 35 (PLATED)	5
01	05.839.35	BOLT CUP SQ M12 X 40 (PLATED)	1
01	45512.01	COWL - ISMP 1200 LH	1
02	05.264.22	SETSCREW M12 X 25MM PLATED*	2
02	05.282.03	SPRING WASHER 12MM PLATED*	2
02	45282.01	WASHER	2
03	05.264.21	SETSCREW M12 X 20MM PLATED*	1
03	05.282.03	SPRING WASHER 12MM PLATED*	2
03	05.286.03	NUT M12 PLATED*	1
03	45299.01	GUARD - DRIVE LH	1
04	05.264.21	SETSCREW M12 X 20MM PLATED*	2
04	05.282.03	SPRING WASHER 12MM PLATED*	2
04	45525.01	SPACER - PLATE	1
20	45529.01	SPACER	2
21	04.282.76	STUD - M10 X 70 PLATED	2
21	05.282.02	SPRING WASHER 10MM PLATED*	2
21	05.286.02	NUT M10 PLATED*	2
22	05.965.36	SETSCREW M16 X 45MM (FINE)	3
22	05.968.04	S.LOCKING NUT M16 (FINE) PLATE	3
22	45513.02	BRACKET - BEARING MOUNTING RH	1
23	05.264.12	SETSCREW M10 X 25MM PLATED*	2
23	05.287.02	SELF-LOCKING NUT M10 PLATED*	2
23	45680.01	BRACKET - SIDEPLATE LH	1
24	05.264.12	SETSCREW M10 X 25MM PLATED*	2
24	05.287.02	SELF-LOCKING NUT M10 PLATED*	2
24	45680.02	BRACKET - SIDEPLATE RH	1
25	05.211.50	BOLT M10 X 35 SQ SHLDR SCK Z/P	1
25	05.287.02	SELF-LOCKING NUT M10 PLATED*	3
25	30.072.96	BOLT M10X30 SQ SHLDR SCK Z/P	2
25	45682.01	SKID - SIDEPLATE LH	1
26	05.211.50	BOLT M10 X 35 SQ SHLDR SCK Z/P	1
26	05.287.02	SELF-LOCKING NUT M10 PLATED*	3
26	30.072.96	BOLT M10X30 SQ SHLDR SCK Z/P	2
26	45682.02	SKID - SIDEPLATE RH	1
27	05.281.01	FLAT WASHER 8MM PLATED*	9
27	05.287.01	SELF-LOCKING NUT M8 PLATED*	9
27	05.287.03	SELF-LOCKING NUT M12 PLATED*	4
27	05.839.26	BOLT CUP SQ M12 X 30 (PLATED)	4
27	41906.03	GUARD - REAR 1200	1
27	9293054	BOLT CUP SQUARE M8X25 (PLATE)	9





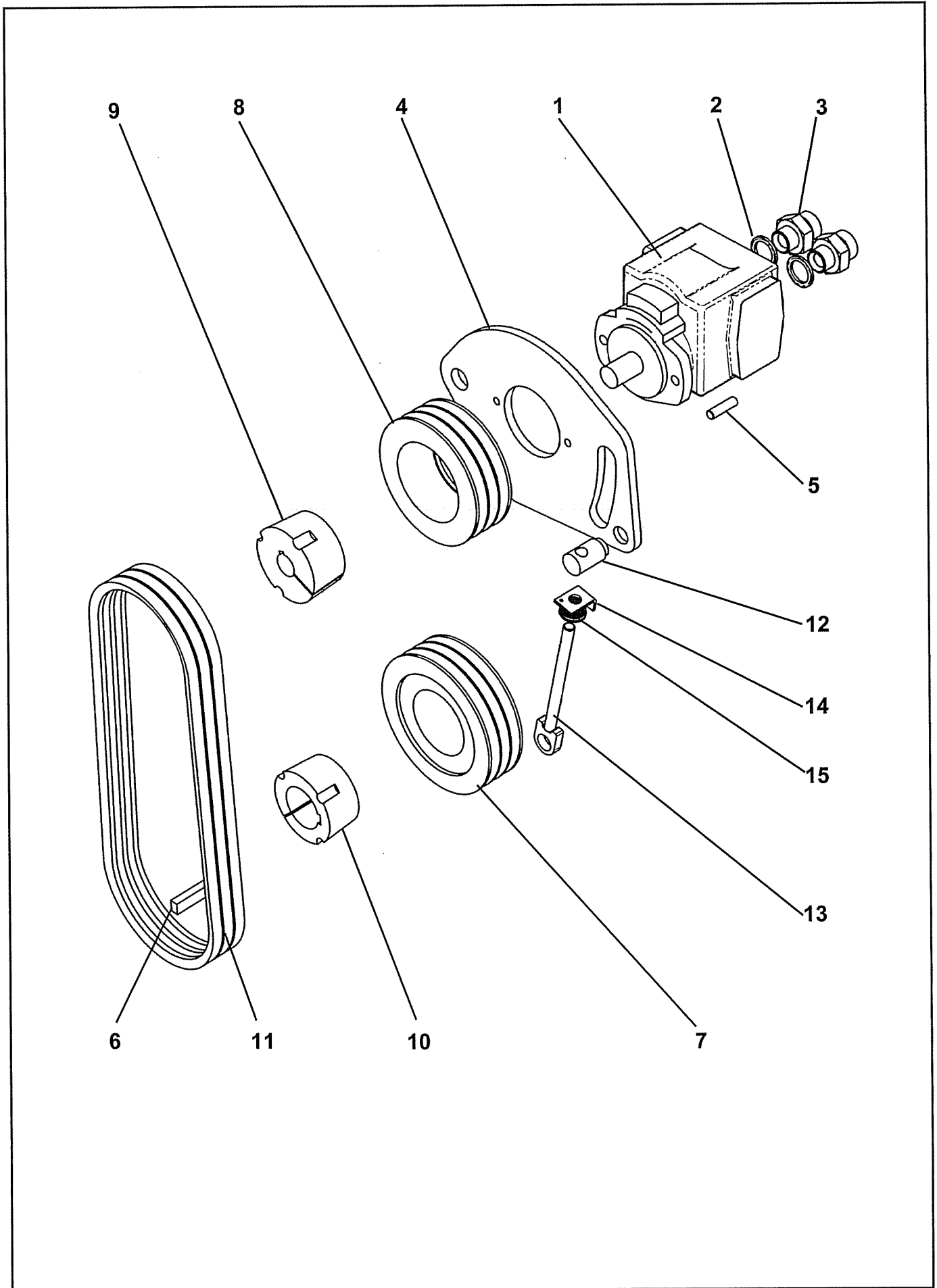
REF	PART NO	DESCRIPTION	QTY
<b>76.717.01 BEARING ASSEMBLY 50 BORE 8202</b>			
01	05.968.03	SELF LOCKING NUT M12 (FINE)	16
01*	43548.01	DISC - BEARING	2
02	43545.01	BEARING ASSEMBLY 50 BORE	2
03	05.282.03	SPRING WASHER 12MM PLATED*	4
03	05.286.03	NUT M12 PLATED*	4
03	05.264.24	SETSCREW M12	4
03*	43549.01	PLATE - BEARING MOUNTING	1
04	43551.01	GUARD - NON DRIVE	1
05	05.264.33	SETSCREW M16 X 30MM PLATED	2
05	05.283.04	SHAKEPROOF WASHER 16MM PLATED	2
05*	07.942.03	WASHER - SPECIAL M16	2
06	45677.01	GREASING ASSY.- FK COWL D/END	1

\*MAIN PART IN GROUP, RELATED PARTS HAVE THE SAME REFERENCE NUMBER



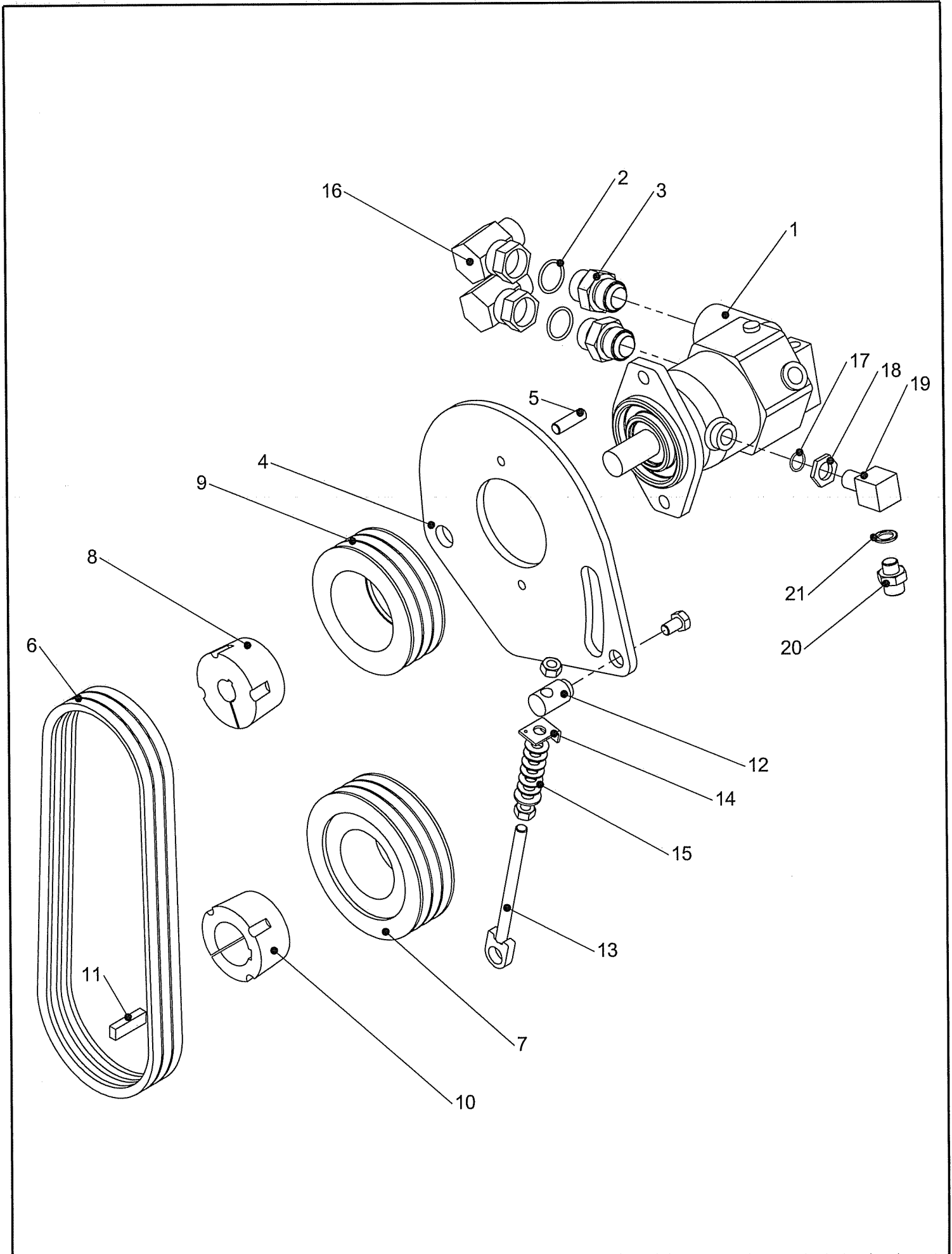
REF	PART NO	DESCRIPTION	QTY
<b>76.284.11 ROLLER ASSY 115 DIA 1200 7245</b>			
<b>76.284.04 ROLLER ASSY 115 DIA 1500 5656</b>			
30	41975.05	BRACKET - ROLLER 115 LH	1
31	41975.06	BRACKET - ROLLER 115 RH	1
32	05.959.05	CIRCLIP - INT 62MM DIA	4
33	42954.01	BEARING - D/ROW BALL 30MM BORE	2
34	04.164.04	SEAL-LIP 40DIA X 10MM	2
35	05.953.01	GREASE NIPPLE M6*	4
35*	41851.01	CAP - BEARING RETAINER	2
36	05.234.01	WASHER 44.5 X 13 X 5MM PLATED	2
36	05.282.03	SPRING WASHER 12MM PLATED*	2
36	05.625.10	SKT CAPSCRW M12X30DOME HD PLT*	2
36*	42056.01	ROLLER 115 DIA - 1200	1
36*	42056.02	ROLLER 115 DIA - 1500	1
<b>77.038.01 ROLLER ASSEMBLY 150 DIA HD 1200 8202</b>			
<b>77.038.02 ROLLER ASSEMBLY 150 DIA HD 1500 8202</b>			
01	45237.01	ROLLER ASSY 150 DIA 1200	1
01*	45686.01	ROLLER ASSY 150 DIA 1500	1
02	45241.01	BRACKET - ROLLER 150 LH	1
03	45241.02	BRACKET - ROLLER 150 RH	1
04	05.953.03	GREASE NIPPLE M10	2
05	05.283.02	SHAKEPROOF WASHER 10MM PLATED	6
06	05.291.13	BOLT M10 X 40 MM PLATED	6
07	05.959.12	CIRCLIP - INT 72MM DIA	2
08	45675.01	BEARING 35MM BORE	2
09	04.164.07	SINGLE LIP SEAL	2
10	05.234.01	WASHER 44.5 X 13 X 5 MM	2
11	03.068.01	SPECIAL SETSCREW M12 X 25	2
12	45323.01	ROLLER END	2
13	05.282.03	SPRING WASHER M12	2

\*MAIN PART IN GROUP, RELATED PARTS HAVE THE SAME REFERENCE NUMBER



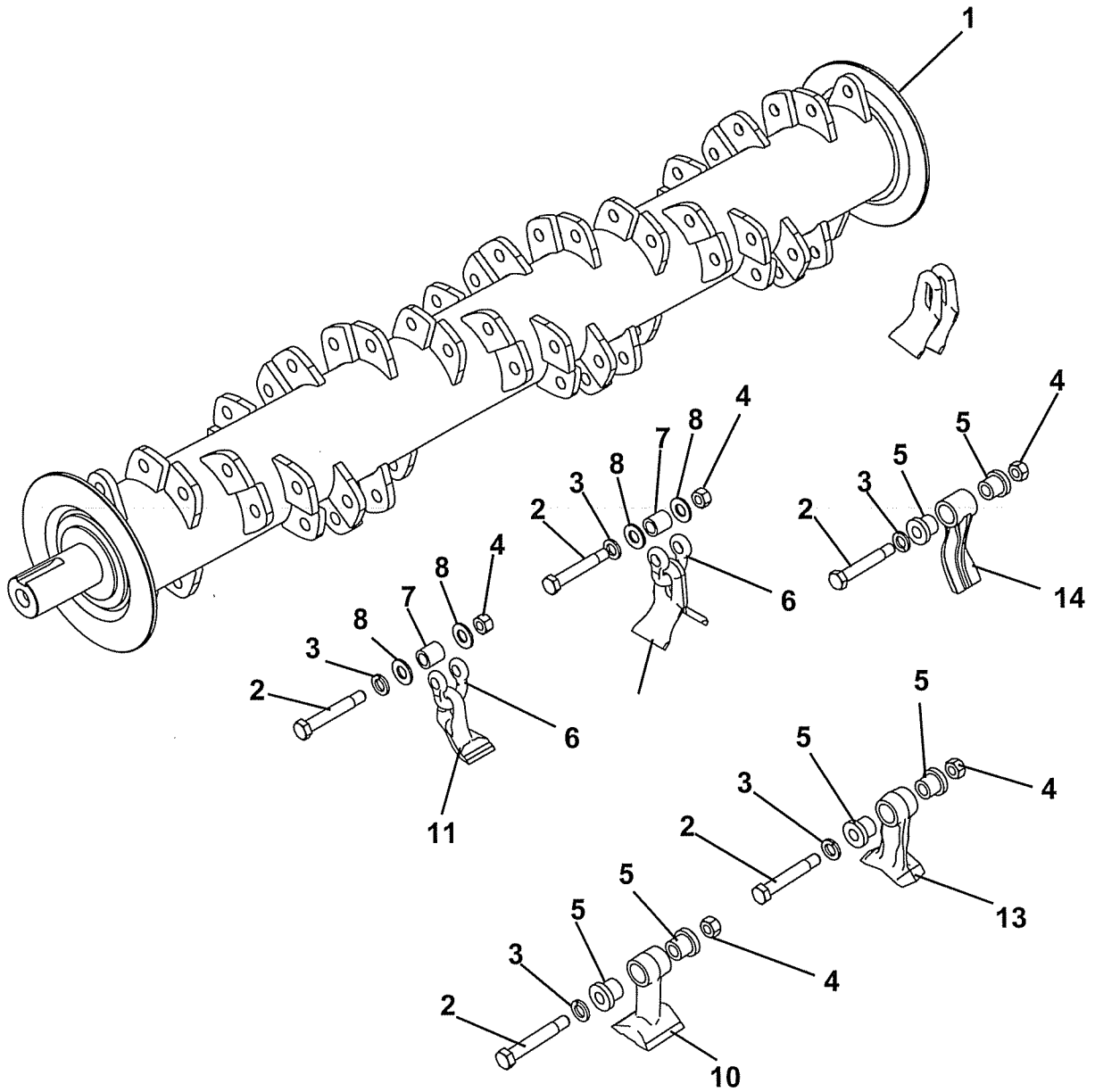
REF	PART NO	DESCRIPTION	QTY
<b>76.718.01 MOTOR ASSEMBLY 125L 8202</b>			
01	01.071.03	KEY-SEP 1/4 X 1/4 X 2	0
01	09.773.02	SEAL KIT FOR 09.773 MOTOR	0
01*	09.773.04	MOTOR ULTRA 2TR044	1
02	05.290.06	BONDED SEAL 3/4"BSP *	2
03	05.373.01	ADAPTOR 3/4"BSP X 1"BSP	2
04	45300.01	PLATE - MOTOR MOUNTING	1
05*	04.282.56	STUD M10 X 37MM	2
05	05.282.02	SPRING WASHER 10MM PLATED*	2
05	05.286.02	NUT M10 PLATED*	2
06	05.299.61	V-BELT XPA 1120 QUAD POWER	3
07	03.795.01	PULLEY-VEE 160MM PCD X 3SPA	1
08	05.424.07	TAPER-LOCK 1"BORE (2517)	1
09	03.795.03	PULLEY-VEE 140MM PCD X 3SPA	1
10	05.424.13	TAPER LOCK BUSH 2517x50 BORE	1
11	05.960.13	KEY-S/REP 14MM X 9MM X 45MM	1
12	05.264.21	SETSCREW M12 X 20MM PLATED*	1
12	05.281.03	FLAT WASHER 12MM PLATED*	1
12	05.282.03	SPRING WASHER 12MM PLATED*	1
12*	45280.01	COLLAR - PIVOT	1
13	05.281.03	FLAT WASHER 12MM PLATED*	1
13	05.286.03	NUT M12 PLATED*	2
13*	45281.01	ROD - ADJUSTMENT	1
14	42929.01	STRAP - DISC ADJUSTMENT	1
15	05.398.02	DISC-SPRG 12.2 I/DX25 O/D PLTD	6

\*MAIN PART IN GROUP, RELATED PARTS HAVE THE SAME REFERENCE NUMBER



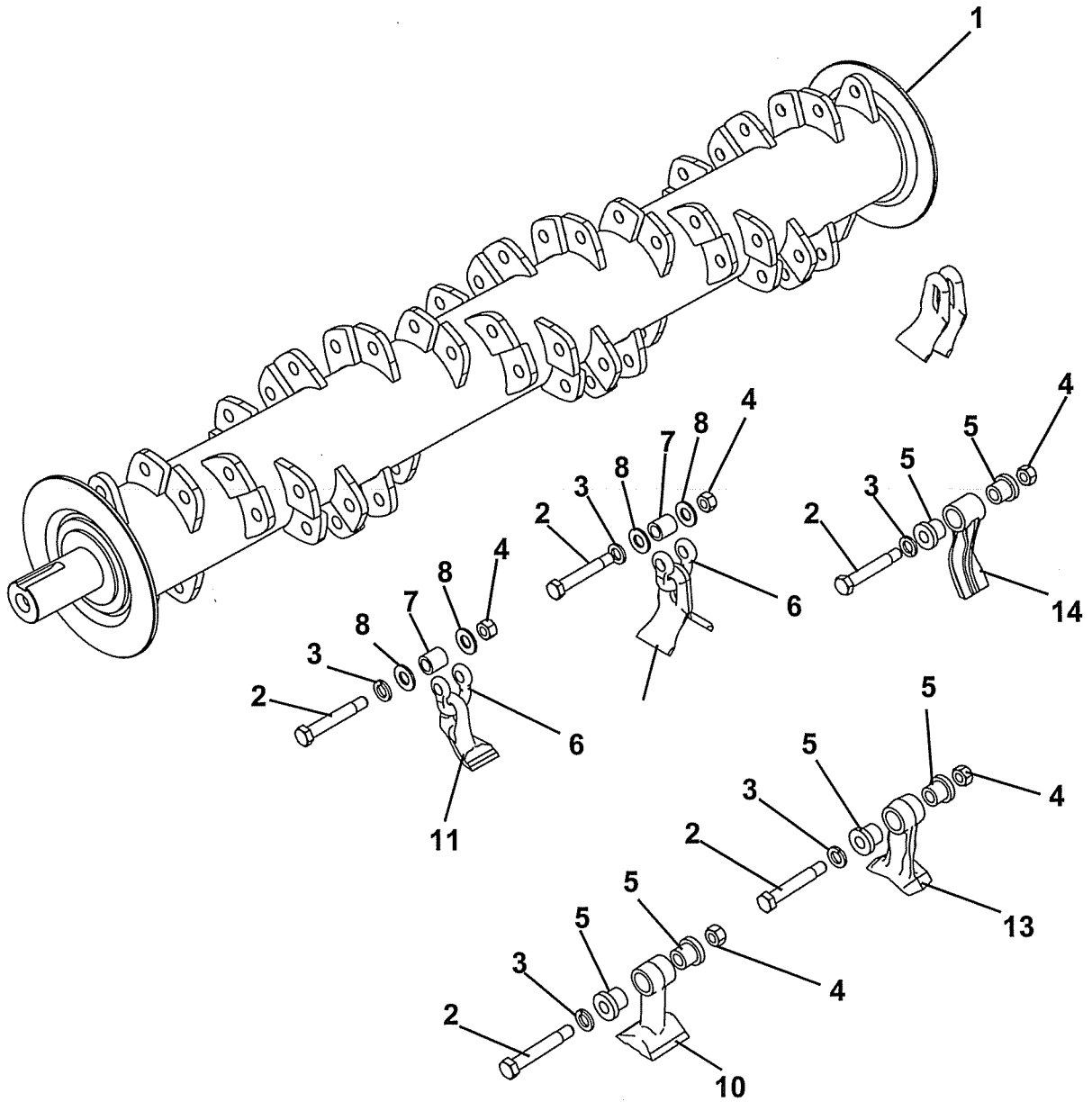
REF	PART NO	DESCRIPTION	QTY
<b>76.718.02 MOTOR ASSEMBLY PISTON 114L 9082</b>			
01	8301295	PISTON MOTOR	1
01	8699238	SEAL KIT FOR MOTOR	0
02	8600916	'O' RING	2
03	08.955.25	ADAPTOR 1" BSP X 1-5/16" – 12 JIC	2
04	45644.01	PLATE – MOTOR MOUNTING	1
05	04.282.17	STUD M12 X 41 NN	2
05	05.282.03	SPRING WASHER 12MM	2
05	05.286.03	NUT M12	2
06	05.299.57	BELT	3
07	03.795.01	PULLEY VEE	1
08	05.424.02	TAPER LOCK BUSH	1
09	03.795.03	PULLEY VEE	1
10	05.424.13	TAPER LOCK BUSH	1
11	05.960.13	KEY	1
12	05.264.21	SETSCREW M12 X 20MM	1
12	05.281.03	FLAT WASHER 12MM	1
12	05.282.03	SPRING WASHER 12MM	1
12	45280.01	COLLAR – PIVOT	1
13	05.281.03	FLAT WASHER 12MM	1
13	05.286.03	NUT M12	2
13	45281.01	ROD – ADJUSTMENT	1
14	42929.01	STRAP – DISC ADJUSTMENT	1
15	05.398.02	DISC SPRING	8
16	05.835.02	ADAPTOR SWIVEL 90 1" BSP	2
17	8600908	'O' RING	1
18	0131007	THIN NUT ¾" UNF	1
19	42739.01	ELBOW ADAPTOR ¾" UNF X 5/8" BSP	1
20	03.195.01	ADAPTOR 5/8" BSP X 3/8" BSP	1
21	05.290.04	BONDED SEAL 3/8" BSP	1

**\*MAIN PART IN GROUP, RELATED PARTS HAVE THE SAME REFERENCE NUMBER**

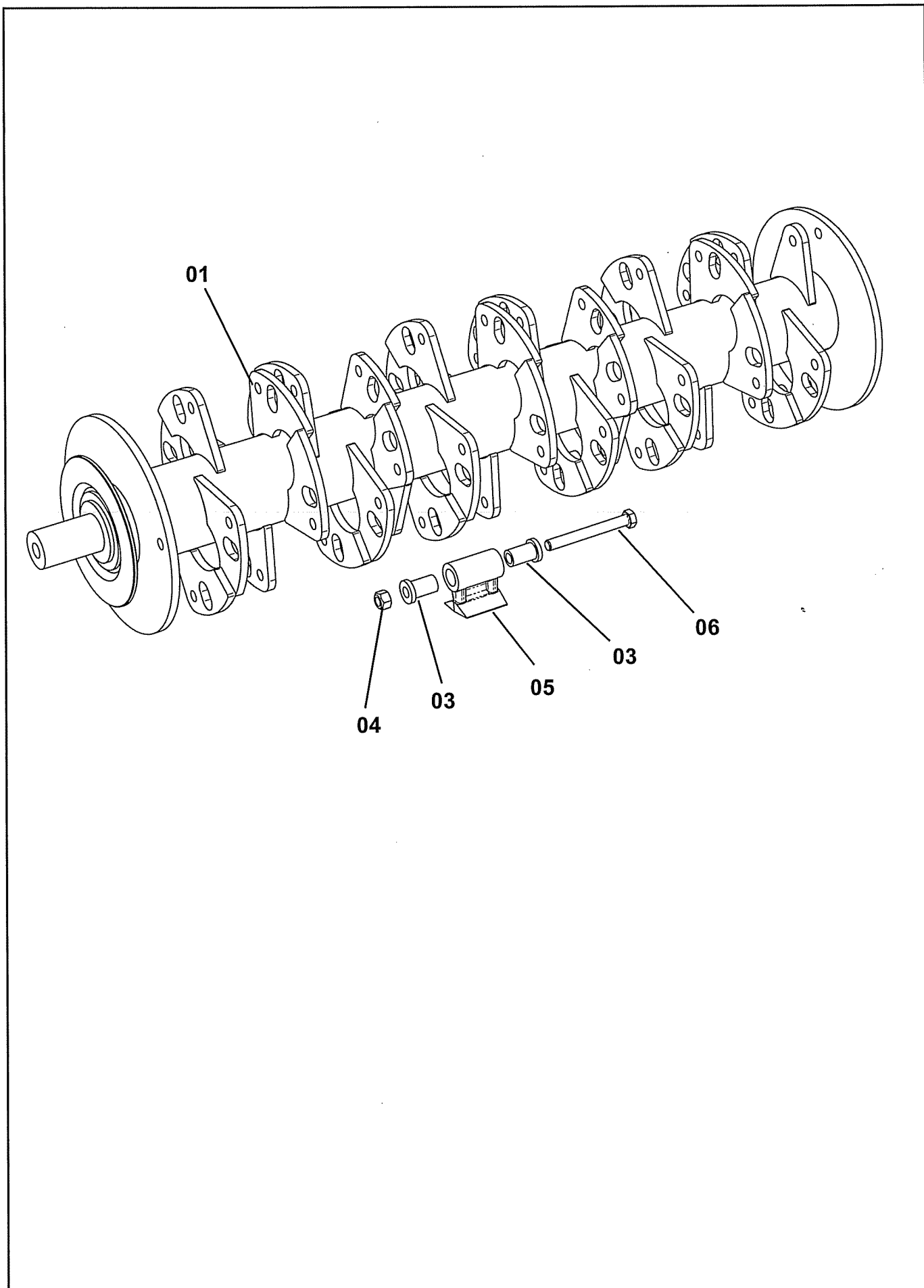




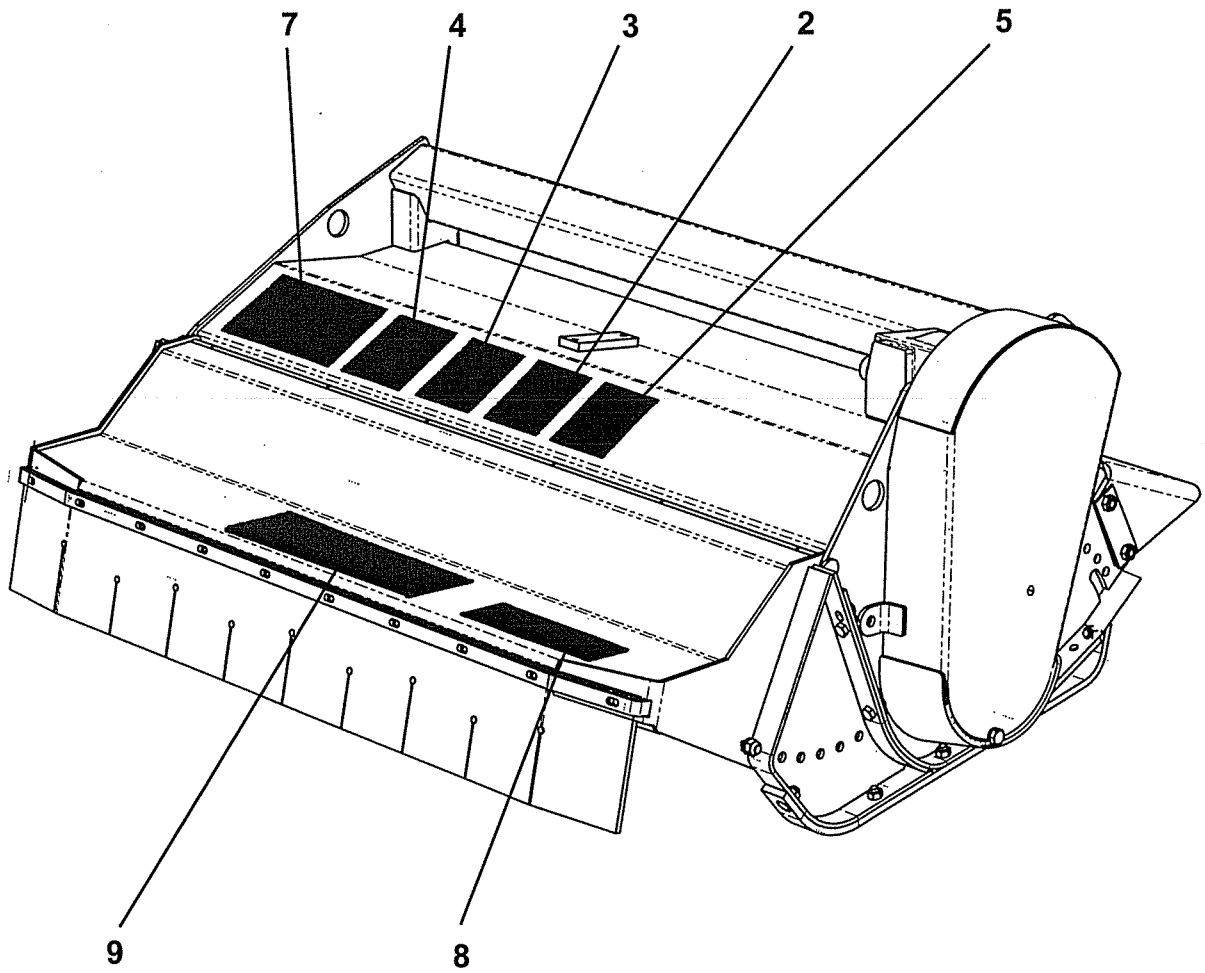
REF	PART NO	DESCRIPTION	QTY
<b>76.719.01/2/3/4 ROTOR SHAFT ASSEMBLY 1200</b>			
01	43546.01	SHAFT	1
02	05.775.10	BOLT – SPECIAL M14 X 96 MM	32
03	05.282.04	SPRING WASHER 16MM	32
04	05.968.06	SELF LOCKING NUT M 14	32
05	09.894.01	COLLAR – PIVOT	64
06	05.895.01	SHACKLE – FORGED	32
07	02.807.01	SPACER – 27MM LONG	32
08	05.281.04	FLAT WASHER 16 MM	64
10	09.905.01	FLAIL – FORGED 62MM	32
11	42750.01	FLAIL – FORGED MP44	32
13	42716.01	FLAIL – FORGED 44MM	32
14	42155.01	FLAIL SINGLE EDGE (PRO FLAIL)	32



REF	PART NO	DESCRIPTION	QTY
<b>77.083.01/2/3/4 ROTOR SHAFT ASSEMBLY 1500</b>			
01	45597.01	SHAFT	1
02	05.775.10	BOLT – SPECIAL M14 X 96 MM	40
03	05.282.04	SPRING WASHER 16MM	40
04	05.968.06	SELF LOCKING NUT M 14	40
05	09.894.01	COLLAR – PIVOT	80
06	05.895.01	SHACKLE – FORGED	40
07	02.807.01	SPACER – 27MM LONG	40
08	05.281.04	FLAT WASHER 16 MM	80
10	09.905.01	FLAIL – FORGED 62MM	40
11	42750.01	FLAIL – FORGED MP44	40
13	42716.01	FLAIL – FORGED 44MM	40
14	42155.01	FLAIL – SINGLE EDGE (PRO FLAIL)	40



REF	PART NO	DESCRIPTION	QTY
<b>76.719.04 ROTOR SHAFT ASSEMBLY BUSHMASTER</b>			
01	45587.01	SHAFT - BUSHMASTER	1
03	42598.03	COLLAR-PIVOT	48
04	05.968.07	NUT S'LOCK M16 X 1.5 (FINE)	24
05	42594.01	FLAIL - BUSHMASTER 26	24
06	05.775.14	BOLT SPECIAL M16 X 142	24



REF	PART NO	DESCRIPTION	QTY
<b>72.855.05 DECALS - FLAIL-KING HEAD 8202</b>			
01	09.810.02	DECAL-GREASE (40 HOURS)	4
02	09.821.04	DECAL - DANGER THROWN DEBRIS	1
03	09.821.05	DECAL - CUTTING HEAD DANGER	1
04	09.821.08	DECAL - SAFEWORKING ON HEAD	1
05	09.821.10	DECAL - KEEP NUTS TIGHT	1
06	09.843.03	DECAL - LIFT POINT 500 KG	2
07	41.054.01	DECAL - HEAD GUARDING	1
08	41582.04	DECAL - FLAIL - KING	1
09	45645.02	DECAL - BOMFORD (50MM FONT)	1