

PM 1866

**FALCON**  
**5 & 5.5**

**ARM MOWER**

**PARTS MANUAL**

**ISSUE 3**

### IMPORTANT

NOTE HERE THE SERIAL NUMBER OF YOUR MACHINE AND ALWAYS QUOTE IT IN ANY COMMUNICATION WITH US OR YOUR DEALER. THIS IS PARTICULARLY IMPORTANT WHEN ORDERING SPARES. REMEMBER TO INCLUDE ALL NUMBERS AND LETTERS.

MACHINE SERIAL NUMBERS \_\_\_\_\_

THE INFORMATION GIVEN THROUGHOUT THIS MANUAL IS CORRECT AT THE TIME OF PUBLICATION. HOWEVER, IN THE COURSE OF CONSTANT DEVELOPMENT OF BOMFORD TURNER MACHINES, CHANGES IN SPECIFICATION ARE INEVITABLE. SHOULD YOU FIND THE INFORMATION GIVEN IN THIS BOOK TO BE AT VARIANCE WITH THE MACHINE IN YOUR POSSESSION, YOU ARE ADVISED TO CONTACT THE BOMFORD TURNER SERVICE DEPARTMENT WHERE UP-TO-DATE INFORMATION WILL BE PROVIDED.

THE MANUAL CAN CONTAIN STANDARD AND OPTIONAL FEATURES AND IS NOT TO BE USED AS A MACHINE SPECIFICATION.

THE MACHINE HAS BEEN TESTED AND IS CONSIDERED SAFE IF CAREFULLY USED. ENSURE YOUR OPERATOR IS PROPERLY TRAINED IN ITS USE AND MAINTENANCE.

---

### IMPORTANT

NOTEZ ICI LES NUMEROS DE SERIE DE VOTRE MACHINE ET MENTIONNEZ LES DANS TOUTE COMMUNICATION AVEC NOS SERVICES OU VOTRE REVENDEUR. CECI EST IMPORTANT POUR LA COMMANDE DE PIECES DETACHEES. PENSEZ A NOTER TOUS LES NUMEROS ET TOUTES LES LETTERS.

NUMEROS DE SERIE DE LA MACHINE \_\_\_\_\_

LES INFORMATIONS DONNEES DANS CE MANUEL SONT CORRECTES CEPENDANT, DU FAIT DE DEVELOPPEMENT CONSTANT DES MACHINES BOMFORD TURNER.

CHANGEMENTS DANS LES CARACTERISTIQUES SONT INEVITABLES.

SI VOUS TROUVEZ QUE LES INFORMATIONS DONNEES NE CORRESPONDENT PAS A VOTRE MACHINE VEUILLEZ CONTACTER LE SERVICE DES REPARATIONS OU DES INFORMATIONS PLUS RECENTES VOUS SERONT DONNEES.

CE MANUEL PEUT MONTRER DES CARACTERISTIQUES OPTIONNELLES ET NE PEUT PAS ETRE CONSIDERE COMME SPECIFICATION DE LA MACHINE.

CETTE MACHINE A ETE TESTEE, ET ELLE EST CONSIDEREE COMME FIABLE A CONDITION D'UNE BONNE UTILISATION. ASSUREZ-VOUS QUE VOTRE OPERATEUR EST QUALIFIE EN CE QUI CONCERNE L'UTILISATION DE LA MACHINE AINSI QUE SON ENTRETIEN.

---

### WICHTIG

TRAGEN SIE HIER DIE SERIENNUMMERN IHRER MASCHINE EIN UND GEBEN SIE DIESE IMMER AN, WENN SIE SICH AN UNS ODER IHREN HÄNDLER WENDEN. DAS IST BESONDERS BEI ERSATZTEILBESTELLUNGEN WICHTIG. VERGESSEN SIE NICHT, ALLE ZAHLEN UND BUCHSTABEN ZU NOTIEREN.

SERIENNUMMERN DER MASCHINE \_\_\_\_\_

DIE ANGABEN IN DIESEM HANDBUCH SIND BEI VERÖFFENTLICHUNG KORREKT. AUFGRUND DER KONSTANTEN WEITERENTWICKLUNG VON BOMFORD TURNER MASCHINEN SIND JEDOCHÄNDERUGDEN IN DER SPEZIFIKATION UNVERMEIDLICH. WENN DIE INFORMATION IN DIESEM HANDBUCH NICHT MIT IHRER MASCHINE ÜBEREINSTIMMEN, NEHMEN SIE BITTE KONTAKT MIT DER BOMFORD TURNER KUNDENDIENSTABTEILUNG AUF, DIE IHNEN GERNE DIE AKTUELLEN INFORMATION ZUKOMMEN LÄSST.

DAS HANDBUCH KANN SOWOHL BESCHREIBUNGEN FÜR DIE STANDARD AUSFÜHRUNG ALS AUCH FÜR ZUBEHÖR ENTHALTEN UND IST NICHT ALS MASCHINENSPEZIFIKATION ZU VERWENDET.

DIE MASCHINE IST GETESTET UND BEI SACHGEMÄSSEM BETRIEB ALS SICHER BEFUNDEN WORDEN. SORGEN SIE DAFÜR, DASS IHR BEDIENPERSONAL IN ANWENDUNG UND WARTUNG RICHTIG GESCHULT WIRD.

## FALCON 5 & 5.5 RANGE OF ARM MOWERS

PAGE ILLUSTRATION NUMBERS SHOWN ARE USED ONLY FOR REFERENCE PURPOSES AND SHOULD NOT BE USED FOR ORDERING SPARE PARTS. PLEASE ENSURE THE CORRECT PART NUMBER AND DESCRIPTION IS GIVEN WHEN ORDERING SPARE PARTS.

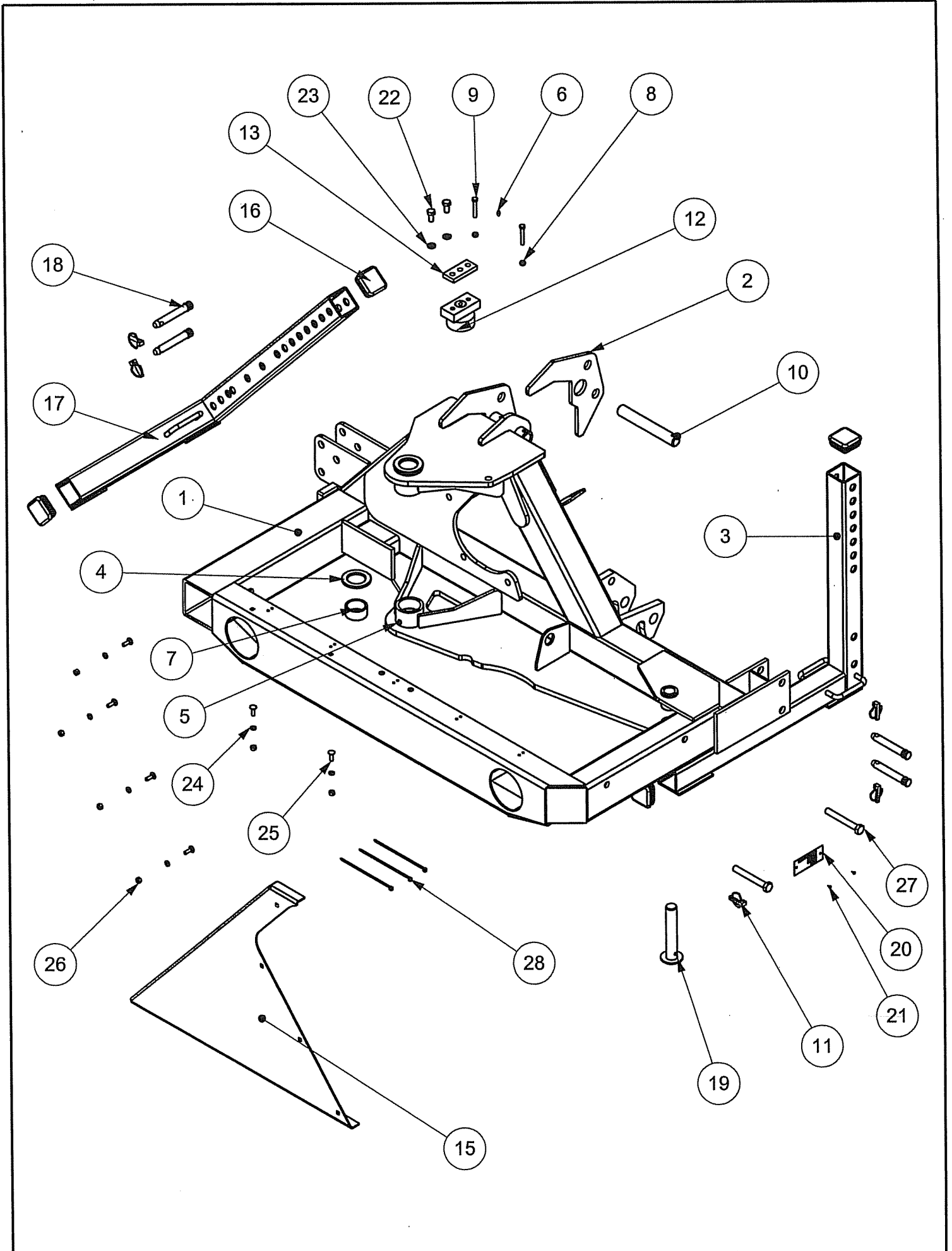
PAGE NO	DESCRIPTION
2 - 1 TO 2 - 2	MAINFRAME ASSEMBLY
3 - 1 TO 3 - 2	3 POINT LINKAGE MOUNTING OPTION
4 - 1 TO 4 - 2	AXLE MOUNTING OPTION
5 - 1 TO 5 - 2	OIL TANK ASSEMBLY
6 - 1 TO 6 - 2	KINGPOST ASSEMBLY
7 - 1 TO 7 - 10	ARM ASSEMBLIES
8 - 1 TO 8 - 2	COWL BRACKET AND LINKAGE
9 - 1 TO 9 - 6	GEARBOX & PUMP CIRCUITS Electric Diverter Valve Cable Diverter Valve Cable DSR Valve
10 - 1 TO 10 - 12	VALVES, ELECTRIC
11 - 1 TO 11 - 4	VALVE, CABLE
12 - 1 TO 12 - 4	REMOTE CONTROL - ELECTRIC
13 - 1 TO 13 - 2	DCU - CAB MOUNTING
14 - 1 TO 14 - 2	REMOTE CONTROL - CABLE
15 - 1 TO 15 - 2	RAM CIRCUITS
16 - 1 TO 16 - 4	SLEW RAM AND ACCUMULATOR, BREAKOUT RAM
17 - 1 TO 17 - 4	HOSE CIRCUITS
18 - 1 TO 18 - 2	ROAD LIGHTING ASSEMBLY
19 - 1 TO 19 - 2	TOOL BOX
20 - 1 TO 20 - 2	DECALS
<u>Options</u>	
21 - 1 TO 21 - 2	ARM FLOAT KIT
22 - 1 TO 22 - 2	ARMFLOAT KIT - ELECTRIC
23 - 1 TO 23 - 2	ELECTRIC DSR KIT

### IMPORTANT

THIS MACHINE IS FOR VEGETATION CONTROL AND MUST NOT BE USED FOR ANY OTHER PURPOSE

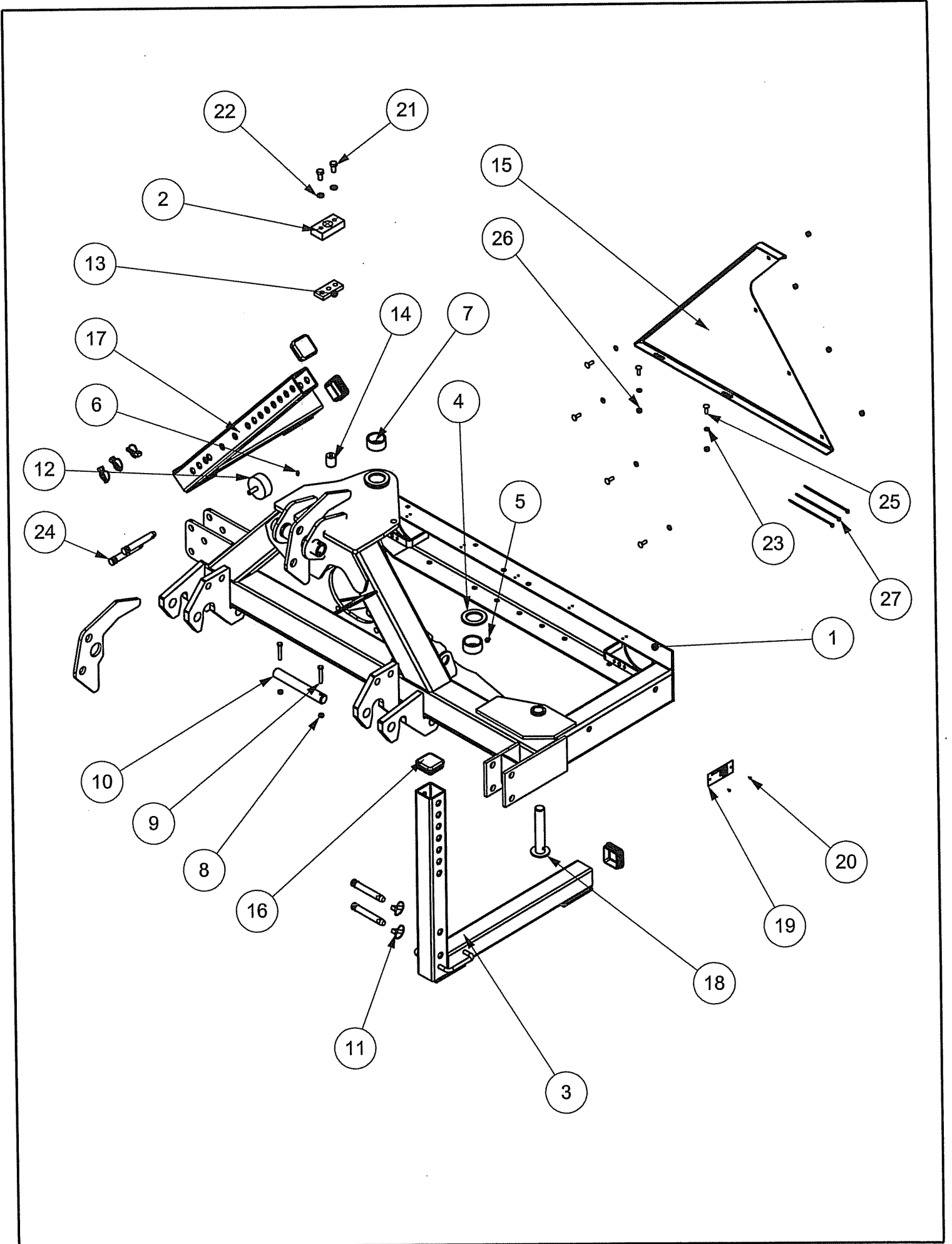
IT IS POTENTIALLY HAZARDOUS TO FIT OR USE ANY PARTS OTHER THAN GENUINE BOMFORD TURNER PARTS

THE COMPANY DISCLAIMS ALL LIABILITY FOR THE CONSEQUENCES OF SUCH USE WHICH, IN ADDITION, VOIDS THE MACHINE WARRANTY



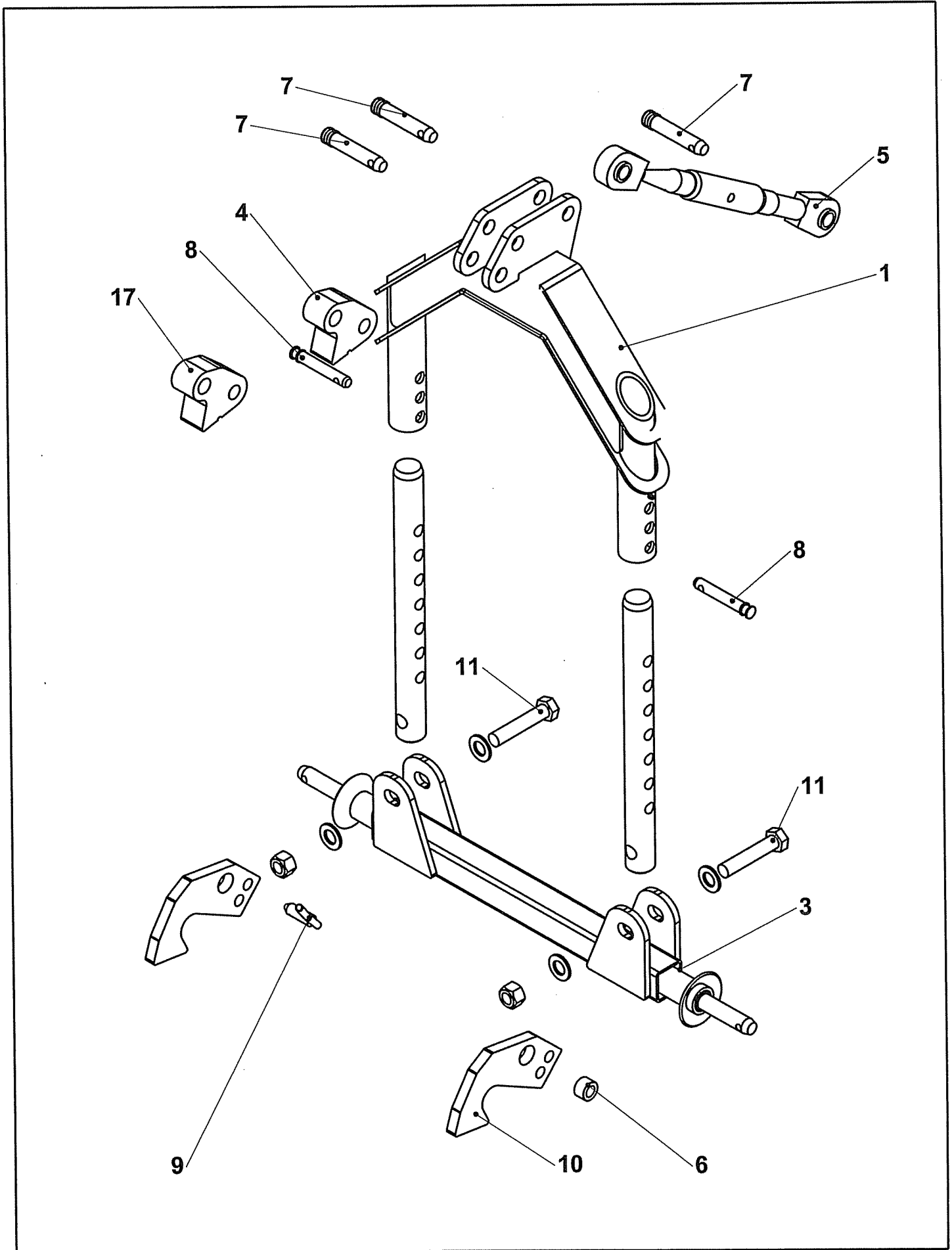
BILL OF MATERIALS

ITEM NO.	PART NUMBER	DESCRIPTION	QTY.
1	45935.03	MAINFRAME LH	1
2	45940.01	BRACKET - RUBBER BUFFER	1
3	45936.01	STAND - FRONT	1
4	09.918.01	THRUST WASHER	2
5	05.953.03	GREASE NIPPLE M10xStr	2
6	05.953.01	GREASE NIPPLE M6xStr	1
7	08.297.13	BUSH 60X50X30	4
8	05.287.01	SELF-LOCKING NUT M8	2
9	05.291.06	BOLT M8x55	2
10	03.654.79	PIN 30 DIA X 214	1
11	00.372.01	LINCH PIN	5
12	45987.01	MOUNT - RUBBER	2
13	46013.01	FLAT	1
14	46011.01	BRT RD - 30 DIA.	1
15	46049.01	GUARD - REAR LH	1
16	45210.01	70 x 70 PLASTIC PLUG	4
17	45936.02	STAND - FRONT	1
18	42930.04	PIN 19 DIA X 102	4
19	03.654.94	PIN 30 DIA X 166	1
20	05.774.07	SERIAL PLATE	1
21	05.227.01	HAMMER DRIVE SCREW	2
22	05.264.22	SETSCREW M12x25	2
23	05.282.03	SPRING WASHER M12	2
24	05.282.01	SPRING WASHER M8	6
25	9293054	BOLT CUP SQR M8x25	6
26	05.286.01	NUT M8	6
27	05.292.35	BOLT M16x120	2
28	30.058.66	CABLE RET CLIP	3



BILL OF MATERIALS

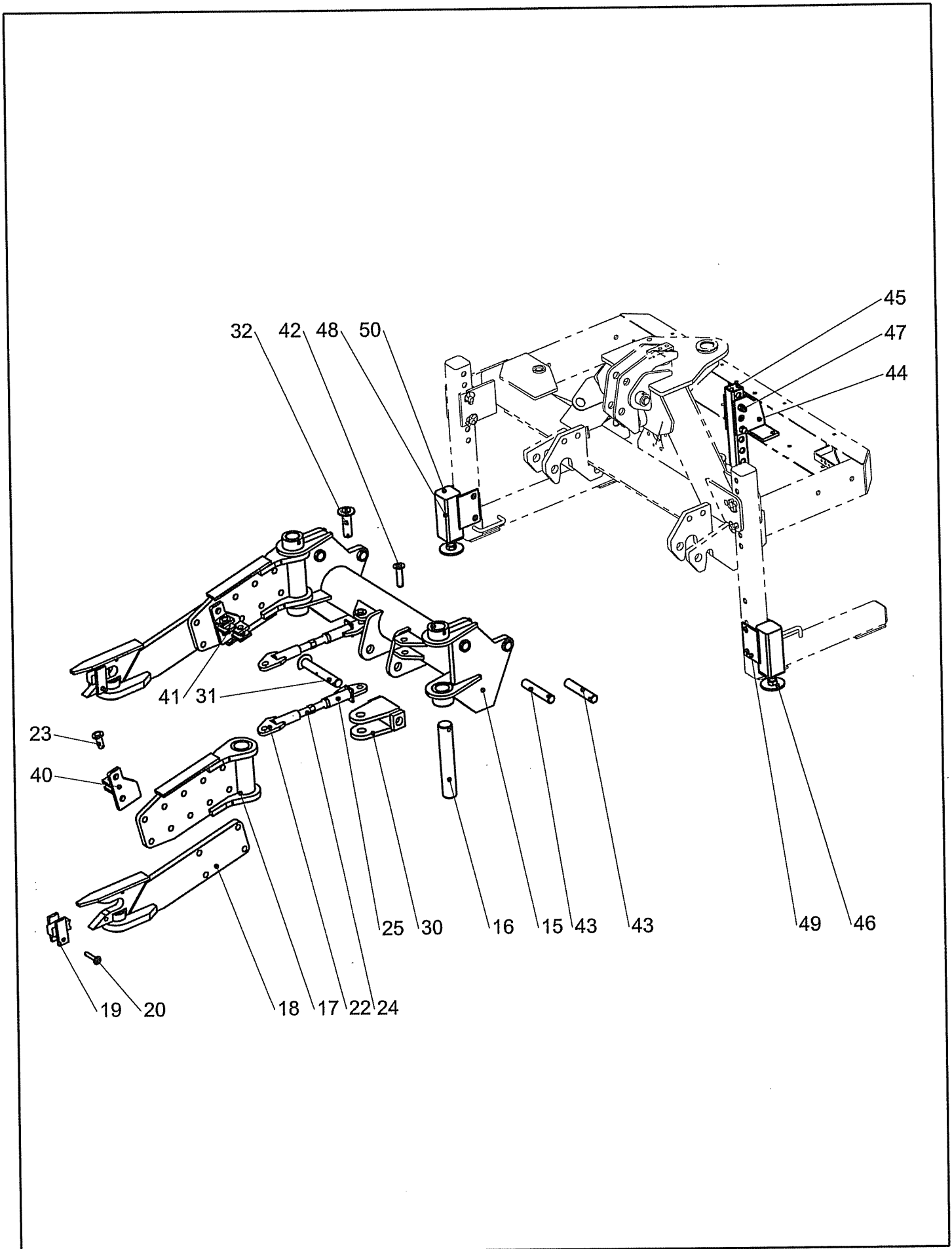
ITEM NO.	PART NUMBER	DESCRIPTION	QTY.
1	45935.04	MAINFRAME RH	1
2	45940.01	BRACKET - RUBBER BUFFER	1
3	45936.01	STAND - FRONT	1
4	09.918.01	THRUST WASHER	2
5	05.953.03	GREASE NIPPLE M10xStr	2
6	05.953.01	GREASE NIPPLE M6xStr	1
7	08.297.13	BUSH 60X50X30	4
8	05.287.01	SELF-LOCKING NUT M8	2
9	05.291.06	BOLT M8x55	2
10	03.654.79	PIN 30 DIA X 214	1
11	00.372.01	LINCH PIN	5
12	45987.01	MOUNT - RUBBER	2
13	46013.01	FLAT	1
14	46011.01	BRT RD - 30 DIA.	1
15	46049.02	GUARD - REAR RH	1
16	45210.01	70 x 70 PLASTIC PLUG	4
17	45936.02	STAND - FRONT	1
18	03.654.94	PIN 30 DIA X 166	1
19	05.774.07	SERIAL PLATE	1
20	05.227.01	HAMMER DRIVE SCREW	2
21	05.264.22	SETSCREW M12x25	2
22	05.282.03	SPRING WASHER M12	2
23	05.282.01	SPRING WASHER M8	6
24	42930.04	PIN 19 DIA X 102	4
25	9293054	BOLT CUP SQR M8x25	6
26	05.286.01	NUT M8	6
27	30.058.66	CABLE RET CLIP	3





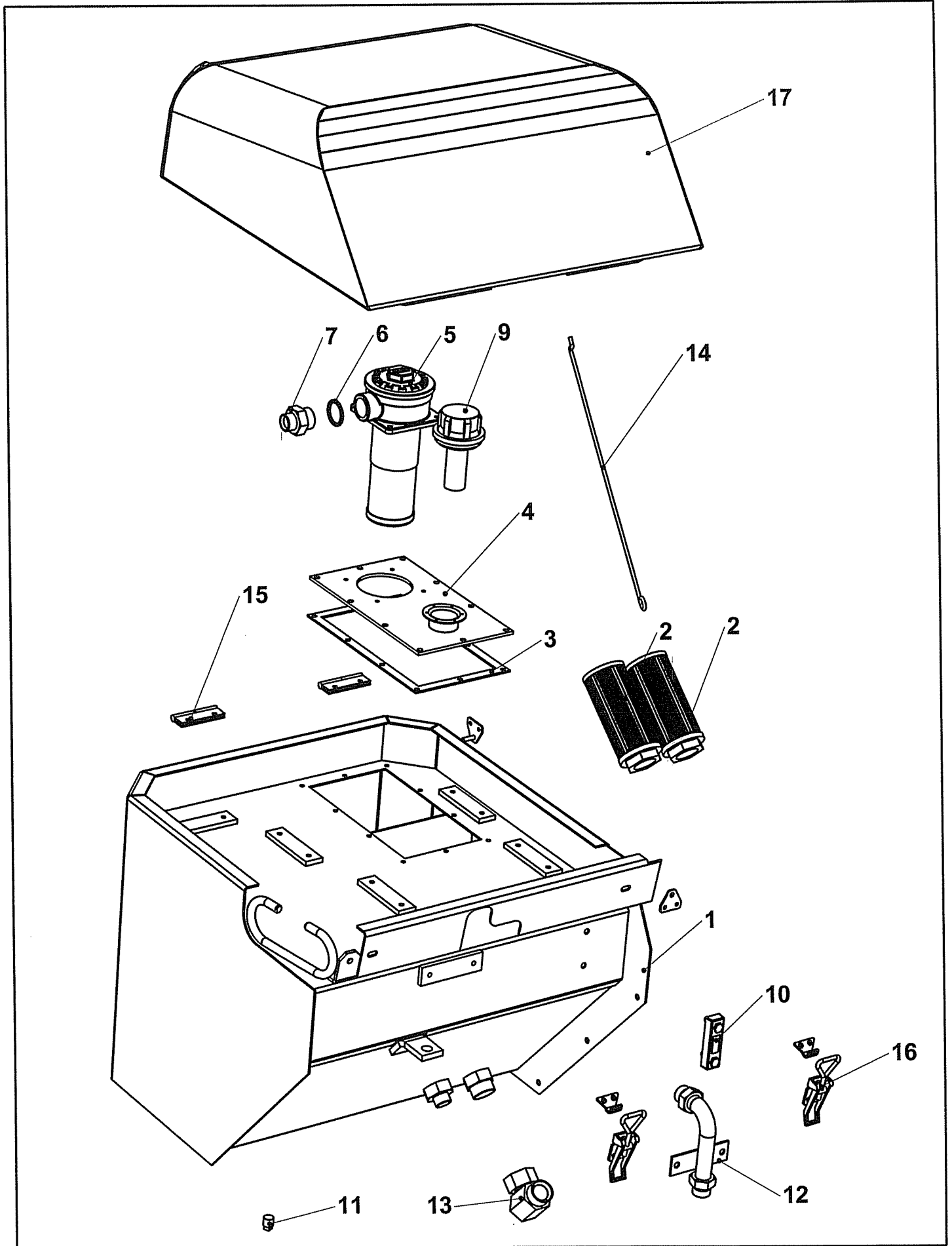
REF	PART NO.	DESCRIPTION	QTY
<b>77.123.01 3 POINT LINKAGE KIT 8852</b>			
01	05.953.01	GREASE NIPPLE M6	2
01	45962.01	ASSY - U FRAME	1
02	46035.01	ROD 50 - 550	2
03	00.372.01	LINCH PIN	2
03*	45973.01	LOWER LINK BAR	1
04	43367.01	PLATE CAT2	1
05	07.584.02	TOP LINK - HEAVY DUTY	1
06	42801.02	SPACER-SPECIAL	2
07	00.372.01	LINCH PIN	5
07*	46125.01	PIN CAT 2 TOP LINK	5
08	00.372.01	LINCH PIN	2
08*	T1657	PIN LINKAGE 3/4IN	2
09	05.964.01	SPRING COTTER 3.6MM DIA	2
09*	43011.01	PIN - LATCH LOCK	2
10	05.281.05	FLAT WASHER 20MM PLATED	2
10	05.287.05	SELF-LOCKING NUT M20 PLATED	2
10	05.291.49	BOLT M20 X 70MM PLATED	2
10*	46051.01	PLATE - CLAMP - 20	2
11*	05.285.05	BOLT M24 X 120	2
11	05.281.16	FLAT WASHER	4
11	05.287.06	SELF LOCKING NUT M24	2
17	43368.01	PLATE 28 DIA PIN	1

\* MAIN PART IN GROUP, RELATED PARTS HAVE SAME REFERENCE NUMBER



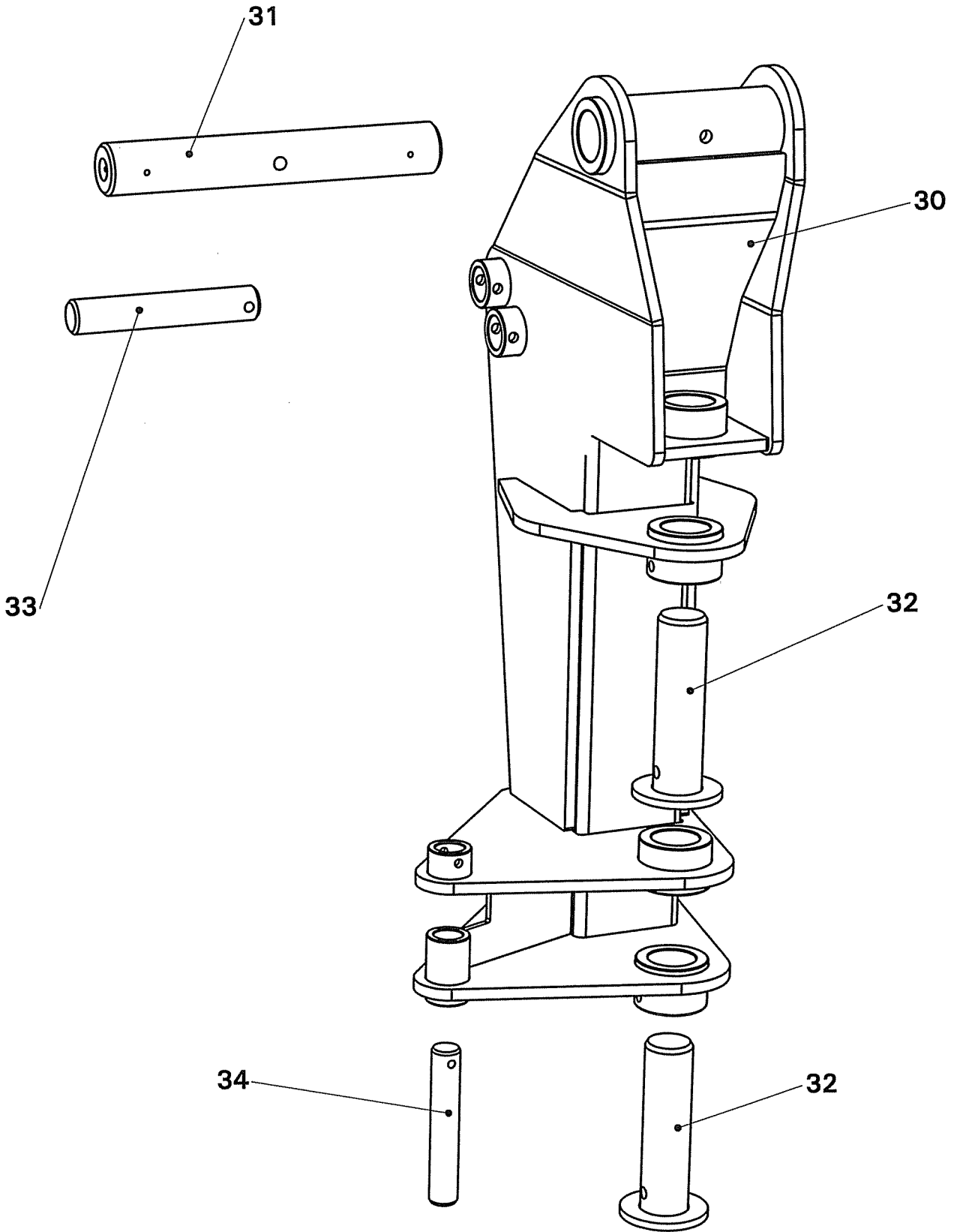
REF	PART NO.	DESCRIPTION	QTY
<b>77.136.01 AXLE MOUNT KIT FALCON 8852</b>			
15	46157.01	BRACKET - AXLE MOUNTING	1
16*	03.657.18	PIN 50 DIA X 291MM	2
16	05.282.03	SPRING WASHER 12MM PLATED	2
16	05.286.03	NUT M12 PLATED	2
16	05.292.22	BOLT M12 X 90MM PLATED	2
17	08.543.01	PIVOT GATE	2
18*	03.752.01	MOUNTING FORK	2
18	05.282.05	SPRING WASHER 20MM PLATED	8
18	05.286.05	NUT M20 PLATED	8
18	05.292.41	BOLT M20 X 80MM PLATED	8
19	03.719.01	CATCH PLATE	2
20*	03.255.05	CHAIN-RING ASSY	2
20	03.650.01	PIN 12 DIA X 68	2
20	05.964.01	SPRING COTTER 3.6MM DIA	2
22	03.806.01	BRACKET-TIE ROD R.H.	2
23*	03.652.02	PIN 20 DIA X 53	2
23	05.284.03	SPLIT COTTER 3.2MM X 36MM	2
24*	03.804.01	TURNBUCKLE PLATED	2
24	05.286.06	NUT M24 PLATED	2
25	03.805.01	BRACKET-TIE ROD L.H.	2
30	03.644.01	YOKE BRACKET	1
31*	03.654.01	PIN 30 DIA X 198	1
31	05.284.14	SPLIT COTTER 5MM X 40MM	1
31	05.953.03	GREASE NIPPLE M10	1
32*	03.654.02	PIN 30 DIA X 96	1
32	05.284.16	SPLIT COTTER 5MM X 50MM	1
32	05.953.03	GREASE NIPPLE M10	1
40	43502.01	BRACKET LH	1
41	43502.02	BRACKET RH	1
42	03.652.03	PIN 20 DIA X 79	2
43	05.287.01	SELF-LOCKING NUT M8 PLATED	4
43	05.291.06	BOLT M8 X 55MM PLATED	4
43*	46159.01	PIN 30 DIA X 136	4
44	05.264.23	SETSCREW M12 X 30 MM	4
44	05.282.03	SPRING WASHER 12MM	4
44	05.286.03	NUT M12	4
44*	46205.01	BRACKET, STAND REAR	1
45	46206.01	STAND, REAR	1
46	30.141.34	ADJUSTER FOOT	3
47	00.372.01	LINCH PIN	2
47	03.652.01	PIN 20 DIA X 90	2
48	46204.02	BRACKET, STAND FRONT	2
49	00.372.01	LINCH PIN	4
49*	42930.04	PIN 19 DIA X 102	4
50	45210.01	PLUG, PLASTIC 70 X 70	2

\* MAIN PART IN GROUP, RELATED PARTS HAVE SAME REFERENCE NUMBER



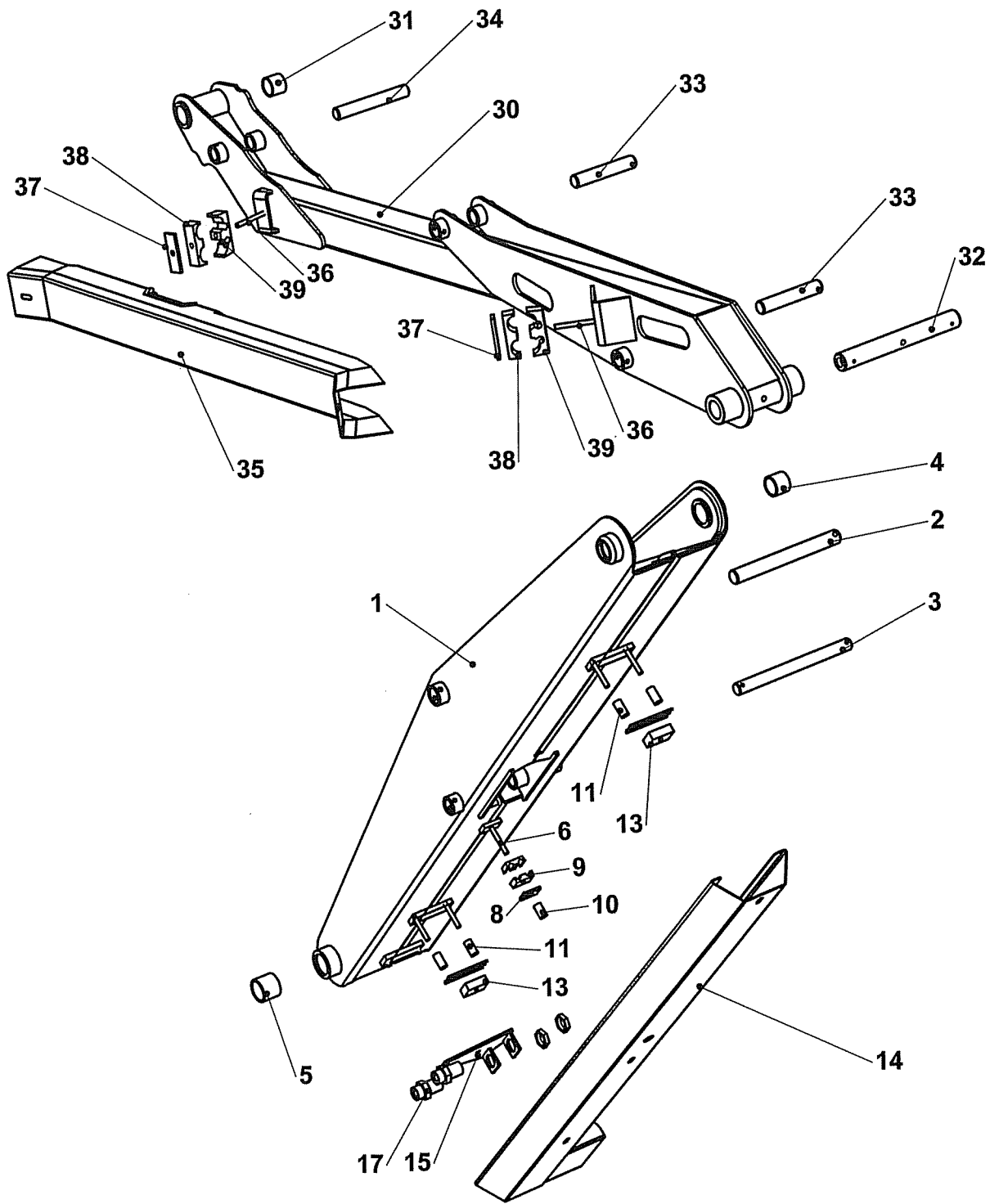
REF	PART NO.	DESCRIPTION	QTY
<b>77.109.01/02 OIL TANK ASSY LH/RH 8852</b>			
01	04.282.68	STUD M10 X 33MM	4
01	05.264.01	SETSCREW M8 X 20MM PLATED	4
01	05.281.01	FLAT WASHER 8MM PLATED	10
01	05.282.01	SPRING WASHER 8MM PLATED	4
01	05.282.02	SPRING WASHER 10MM PLATED	4
01	05.286.01	NUT M8 PLATED	10
01	05.286.02	NUT M10 PLATED	4
01	05.287.04	SELF-LOCKING NUT M16 PLATED	3
01	05.291.35	BOLT M16 X 50MM PLATED	1
01	05.292.34	BOLT M16 X 110MM PLATED	2
01*	45989.01	TANK OIL LH	1
01	45989.02	TANK OIL RH	1
02	8401047	UC-SE-1324 SUCTION	2
03	08.605.01	GASKET	1
04	41.255.01	PLATE - FILLER/FILTER	1
05*	41.041.01	FILTER ASSEMBLY 125L	1
05	41.041.02	ELEMENT 125L	0
06	05.290.08	BONDED SEAL 1.1/4"BSP	1
07	05.131.01	ADAPTOR 1" X 1.1/4" BSP	1
09	06.966.02	FILLER BREATHER CAP & STRAINER	1
10	08.921.01	FLUID LEVEL GAUGE	1
11	05.495.01	PLUG 1/2"BSPT	1
12	04.282.88	STUD M10 X 23	2
12	05.282.02	SPRING WASHER 10MM PLATED	2
12	05.286.02	NUT M10 PLATED	2
12*	46107.01	PIPE - HYDRAULIC 1"BSP	1
13	05.835.10	ADAPTOR 90 SWIVEL 1.1/2"BSP MF	1
14	46066.01	GUARD - TANK SIDE LH	1
14	46066.02	GUARD - TANK SIDE RH	1
14	46074.01	STAY - TANK GUARD	1
14	46076.01	MOUNT STAY - TANK GUARD	1
14	46076.31	PLATE - GUARD TANK	1
14	46187.01	BRACKET - STAY	1
14	46192.01	PUSH ON RETAINER	2
15	05.345.14	M6 CSK SKT SCREW 16MM	8
15	30.070.64	NUT NYLOC M6.Z/P.	8
15	46065.01	HINGE	2
16	43449.03	PLATE TOGGLE CLAMP - TANK	2
16	43449.04	FASTENER - OVERCENTRE	2
16	05.286.09	NUT M5	10
16	9353022	M5 SK HD SCREW	10
17	46052.01	GUARD TANK TOP LH	1
17	46144.01	GUARD TANK TOP RH	1

\* MAIN PART IN GROUP, RELATED PARTS HAVE SAME REFERENCE NUMBER



REF	PART NO.	DESCRIPTION	QTY
<b>77.105.01/02 KINGPOST ASSY LH/RH NON-PAR</b>			
30*	45924.01	KINGPOST LH	1
30	45924.02	KINGPOST RH	1
31*	03.657.24	PIN - DIA 50 X 341	1
31	05.287.03	SELF-LOCKING NUT M12 PLATED	1
31	05.292.22	BOLT M12 X 90MM PLATED	1
31	05.953.01	GREASE NIPPLE M6	2
32	05.287.03	SELF-LOCKING NUT M12 PLATED	2
32	05.292.22	BOLT M12 X 90MM PLATED	2
32*	45965.01	PIN - KINGPOST 50 DIA	2
33*	03.655.59	PIN - DIA 35 X 204	1
33	05.287.02	SELF-LOCKING NUT M10 PLATED	1
33	05.291.18	BOLT M10 X 65 PLATED	1
34*	03.654.89	PIN 30 DIA X 170	1
34	05.287.01	SELF-LOCKING NUT M8 PLATED	1
34	05.291.06	BOLT M8 X 55MM PLATED	1

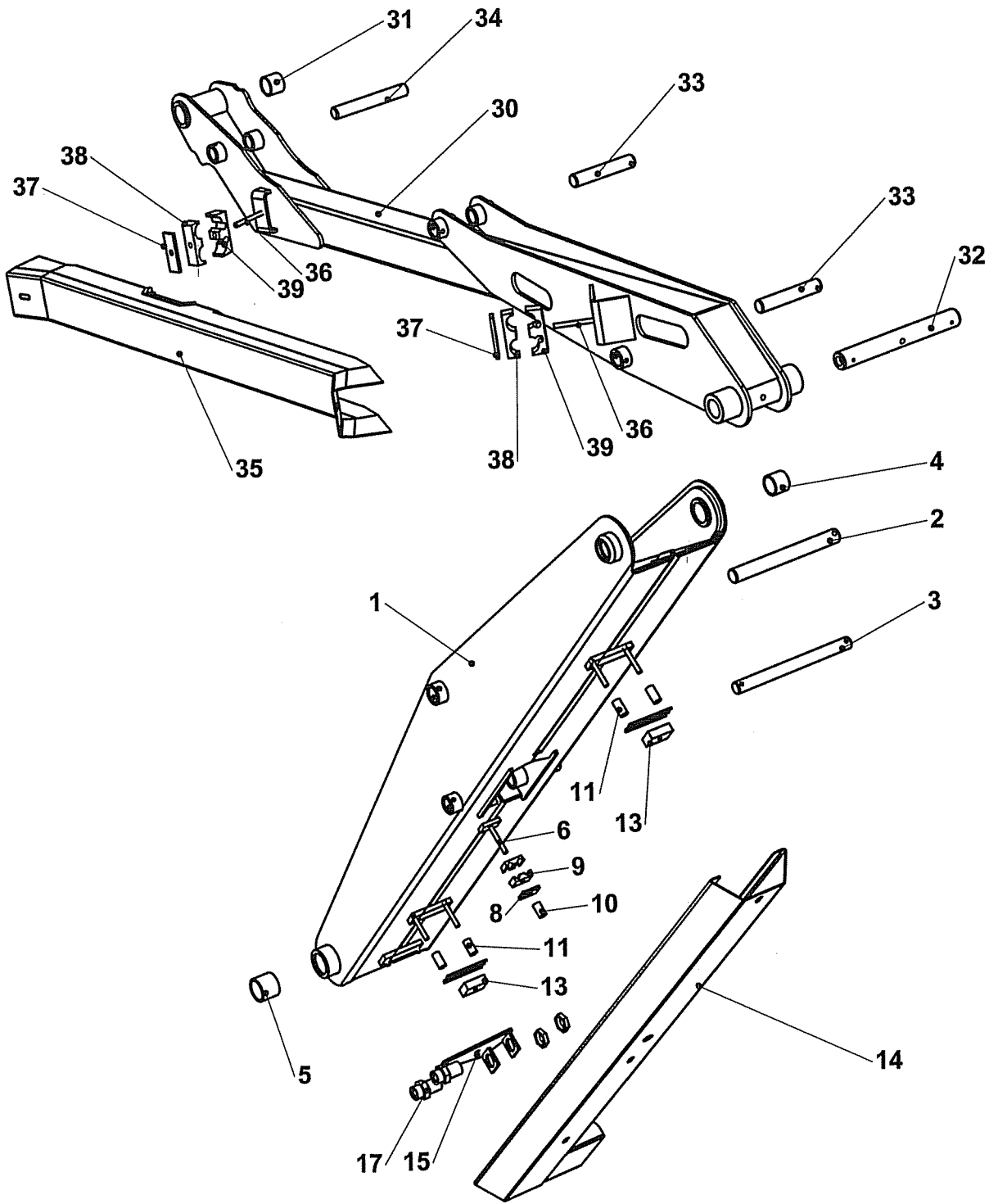
**\*MAIN PART IN GROUP, RELATED PARTS HAVE SAME REFERENCE NUMBER**





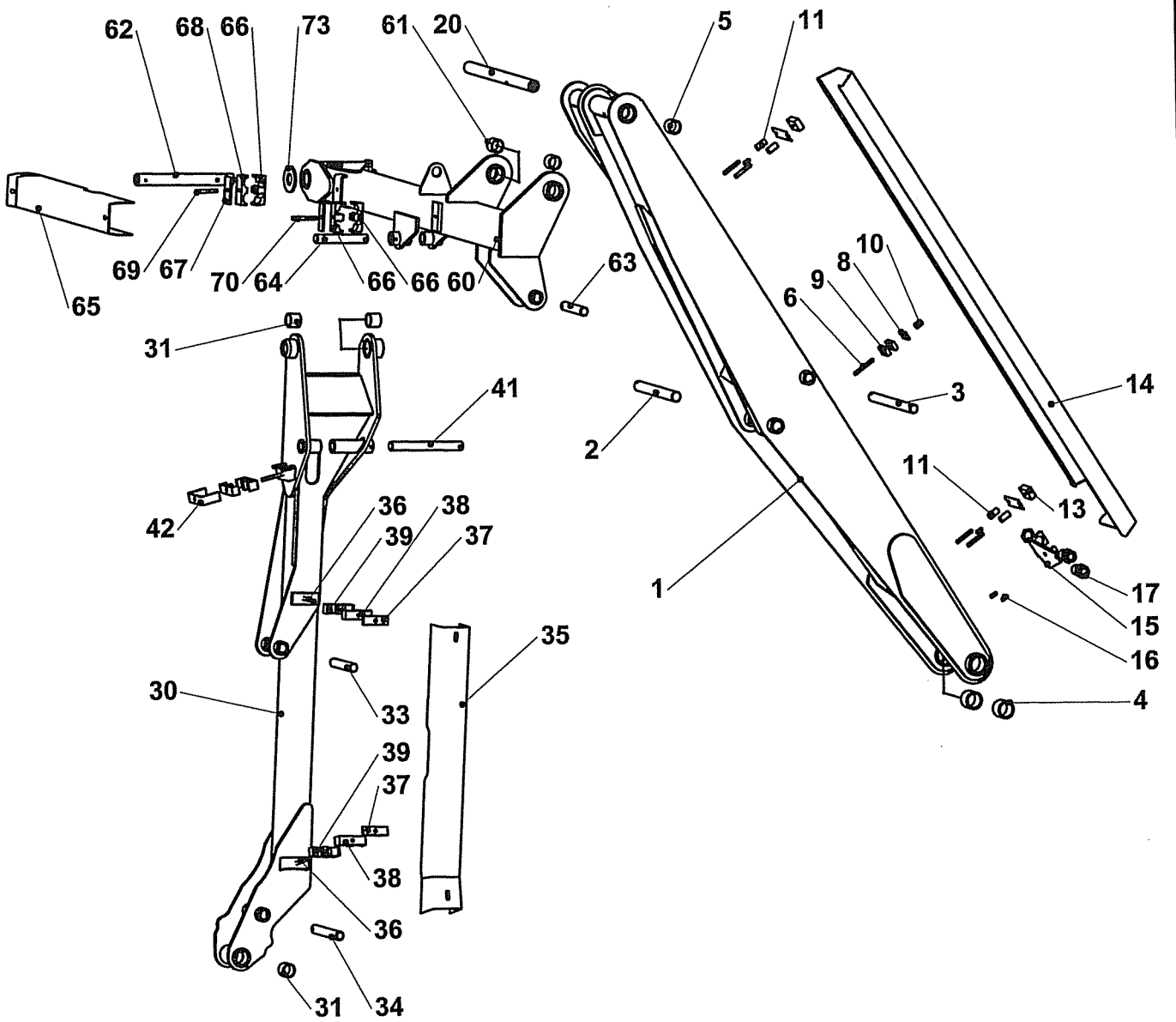
REF	PART NO.	DESCRIPTION	QTY
<b>77.115.01/02 FIRST ARM ASSY LH/RH FALCON 5 NON PARALLEL 8852</b>			
01	45976.01	ARM - FIRST 5	1
02*	03.655.62	PIN 35 DIA X 324	1
02	05.287.02	SELF-LOCKING NUT M10 PLATED	1
02	05.291.18	BOLT M10 X 65 PLATED	1
03*	03.654.92	PIN 30 DIA X 326	1
03	05.287.01	SELF-LOCKING NUT M8 PLATED	1
03	05.291.06	BOLT M8 X 55MM PLATED	1
04	08.297.01	BUSH - PLASTIC 60 X 50 X 50	2
05	08.297.02	BUSH - PLASTIC 47 X 40 X 40	2
06*	04.282.09	STUD M10 X 85MM	1
06	05.281.02	FLT WASHER 10MM PLATED FORM C	1
06	9100025	NUT DOMED M10 PLATED	1
08	06.418.06	CLAMP PLATE 48 X 6	1
09	06.430.02	CLAMP HOSE 14 X 14	2
10	46100.01	SPACER	1
11	45529.01	SPACER	4
12*	04.282.76	STUD - M10 X 70 PLATED	4
12	05.282.02	SPRING WASHER 10MM PLATED	4
12	05.286.02	NUT M10 PLATED	4
13*	04.282.88	STUD M10 X 23	2
13	05.281.02	FLT WASHER 10MM PLATED FORM C	2
13	46070.01	CLAMP - HOSE	2
13	9100025	NUT DOMED M10 PLATED	2
14	46101.01	GUARD - HOSE 1ST ARM LH	1
14	46101.02	GUARD - HOSE 1ST ARM RH	1
15	46099.01	BRACKET - HOSE MOUNTING LH	1
15	46099.02	BRACKET - HOSE MOUNTING RH	1
16*	03.100.01	STUD M10 X 34MM	2
16	05.282.02	SPRING WASHER 10MM PLATED	2
16	05.286.02	NUT M10 PLATED	2
17	08.128.03	ADAPTR 1"BSP BULKHEAD C/W LNUT	2
18	03.231.11	RUBBER EDGING 235MM LONG	1
19	03.231.12	RUBBER EDGING 150MM	1
<b>77.112.01 ARM ASSY 2ND LH FALCON 5 NON PARALLEL 8852</b>			
30	05.953.04	GREASE NIPPLE M10 90 DEG	1
30*	45969.01	ARM - SECOND LH 49	1
31	08.297.02	BUSH - PLASTIC 47 X 40 X 40	2
32	05.287.02	SELF-LOCKING NUT M10 PLATED	1
32	05.292.21	BOLT M12 X 80MM PLATED	1
32	05.953.01	GREASE NIPPLE M6	2
32*	43292.02	PIN 40 DIA X 328	1
33*	03.654.89	PIN 30 DIA X 170	2
33	05.287.01	SELF-LOCKING NUT M8 PLATED	2
33	05.291.06	BOLT M8 X 55MM PLATED	2
34*	03.654.79	PIN - DIA 30 X 214	1
34	05.287.01	SELF-LOCKING NUT M8 PLATED	1
34	05.291.06	BOLT M8 X 55MM PLATED	1
35	45972.01	GUARD - HOSE SECOND ARM LH 49	1
36*	04.282.84	STUD M10 X 1.5 - 95 LONG	2
36	05.281.02	FLT WASHER 10MM PLATED FORM C	4
36	05.286.02	NUT M10 PLATED	2
36	9100025	NUT DOMED M10 PLATED	2
37	06.418.05	CLAMP PLATE 95 X 6	2
38	30.217.76	HOSE TWIN CLAMP	2
39	45630.01	HOSE CLAMP-LOWER HP HOSES	2
40	03.231.13	RUBBER EDGING 212MM - NOT ILLUSTRATED	1

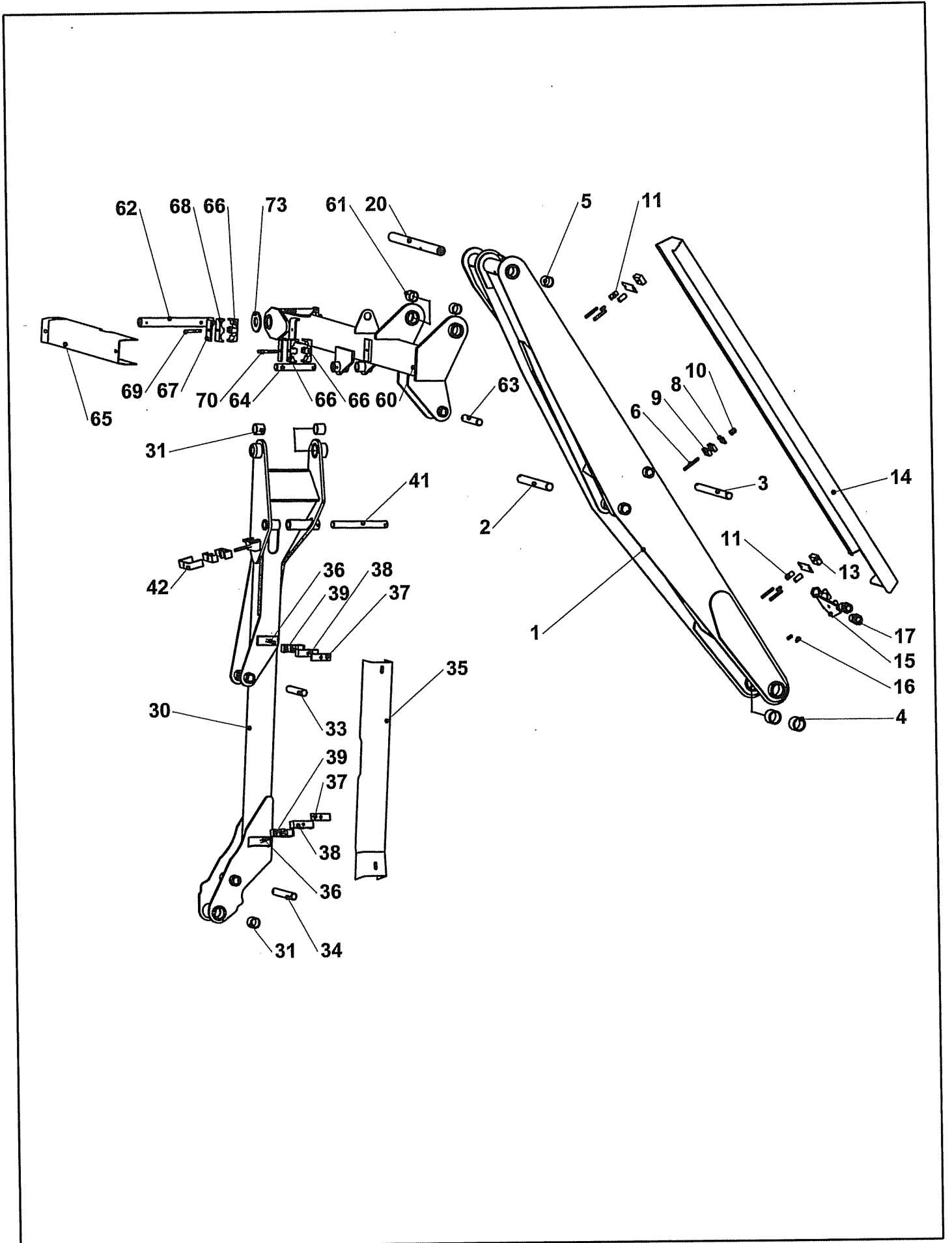
- MAIN PART IN GROUP, RELATED PARTS HAVE SAME REFERENCE NUMBER



REF	PART NO.	DESCRIPTION	QTY
<b>77.115.03 FIRST ARM LH FALCON 5.5 NON PARALLEL</b>			
01	46105.01	ARM - FIRST 5.5	1
02*	03.655.62	PIN 35 DIA X 324	1
02	05.287.02	SELF-LOCKING NUT M10 PLATED	1
02	05.291.18	BOLT M10 X 65 PLATED	1
03*	03.654.92	PIN 30 DIA X 326	1
03	05.287.01	SELF-LOCKING NUT M8 PLATED	1
03	05.291.06	BOLT M8 X 55MM PLATED	1
04	08.297.01	BUSH - PLASTIC 60 X 50 X 50	2
05	08.297.02	BUSH - PLASTIC 47 X 40 X 40	2
06*	04.282.09	STUD M10 X 85MM	1
06	05.281.02	FLT WASHER 10MM PLATED FORM C	1
06	9100025	NUT DOMED M10 PLATED	1
08	06.418.06	CLAMP PLATE 48 X 6	1
09	06.430.02	CLAMP HOSE 14 X 14	2
10	46100.01	SPACER	1
11	45529.01	SPACER	4
12*	04.282.76	STUD - M10 X 70 PLATED	4
12	05.282.02	SPRING WASHER 10MM PLATED	4
12	05.286.02	NUT M10 PLATED	4
13	04.282.88	STUD M10 X 23	2
13	05.281.02	FLT WASHER 10MM PLATED FORM C	2
13	46070.01	CLAMP - HOSE	2
13	9100025	NUT DOMED M10 PLATED	2
14	46104.01	GUARD FIRST ARM LH 5.5 NON PAR	1
15	46099.01	BRACKET - HOSE MOUNTING LH	1
16*	03.100.01	STUD M10 X 34MM	2
16	05.282.02	SPRING WASHER 10MM PLATED	2
16	05.286.02	NUT M10 PLATED	2
17	08.128.03	ADAPTR 1" BSP BULKHEAD C/W LNUT	2
18	03.231.11	RUBBER EDGING 235MM LONG	1
19	03.231.12	RUBBER EDGING 150MM	
<b>77.112.03 ARM ASSY 2ND LH FALCON 5.5 NON PARALLEL</b>			
30	05.953.04	GREASE NIPPLE M10 90 DEG	1
30*	46085.01	ARM - SECOND LH 5.5	1
31	08.297.02	BUSH - PLASTIC 47 X 40 X 40	2
32	05.287.02	SELF-LOCKING NUT M10 PLATED	1
32	05.292.21	BOLT M12 X 80MM PLATED	1
32	05.953.01	GREASE NIPPLE M6	2
32*	43292.02	PIN 40 DIA X 328	1
33*	03.654.89	PIN 30 DIA X 170	2
33	05.287.01	SELF-LOCKING NUT M8 PLATED	2
33	05.291.06	BOLT M8 X 55MM PLATED	2
34*	03.654.79	PIN - DIA 30 X 214	1
34	05.287.01	SELF-LOCKING NUT M8 PLATED	1
34	05.291.06	BOLT M8 X 55MM PLATED	1
35	46086.01	GUARD - HOSE 2ND ARM LH	1
36*	04.282.84	STUD M10 X 1.5 - 95 LONG	2
36	05.281.02	FLT WASHER 10MM PLATED FORM C*	4
36	05.286.02	NUT M10 PLATED*	2
36	9100025	NUT DOMED M10 PLATED	2
37	06.418.05	CLAMP PLATE 95 X 6	2
38	30.217.76	HOSE TWIN CLAMP	2
39	45630.01	HOSE CLAMP-LOWER HP HOSES	2
40	03.231.13	RUBBER EDGING 212MM	1

\*MAIN PART IN GROUP, RELATED PARTS HAVE SAME REFERENCE NUMBER



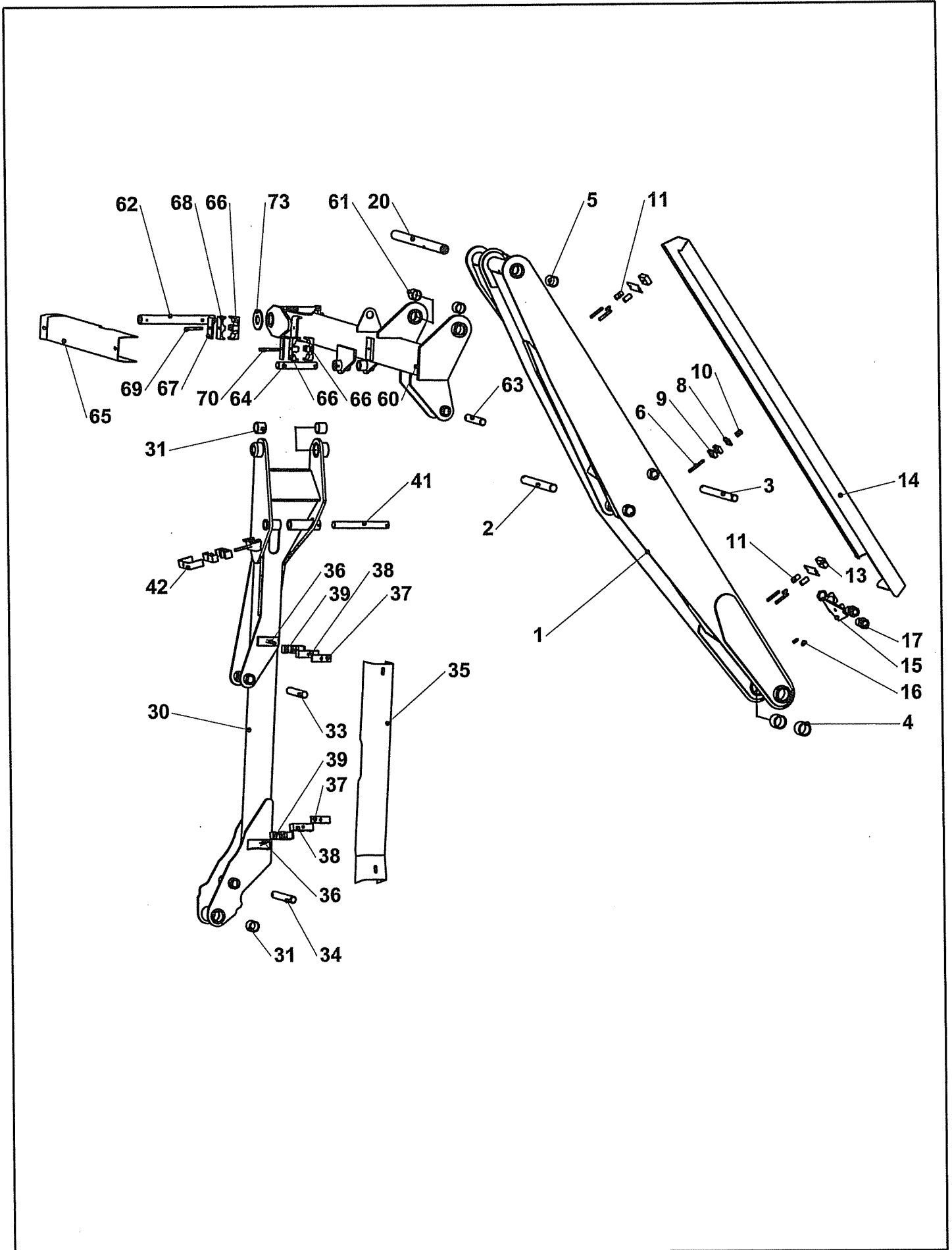


REF	PART NO.	DESCRIPTION	QTY
<b>77.115.13/14 ARM ASSY FIRST LH/RH 5 FORW 9052</b>			
01	46234.01	ARM - FIRST FWD LH 5.0 FALCON	1
01	46234.02	ARM - FIRST FWD RH 5.0 FALCON	1
02*	03.655.62	PIN 35 DIA X 324	1
02	05.287.02	SELF-LOCKING NUT M10 PLATED*	2
02	05.291.18	BOLT M10 X 65 PLATED*	1
03*	03.654.92	PIN 30 DIA X 355	1
03	05.287.01	SELF-LOCKING NUT M8 PLATED*	1
03	05.291.06	BOLT M8 X 55MM PLATED	1
04	08.297.01	BUSH - PLASTIC 60 X 50 X 50	2
05	08.297.02	BUSH - PLASTIC 47 X 40 X 40	2
06	04.282.09	STUD M10 X 85MM	1
08	06.418.06	CLAMP PLATE 48 X 6	1
09	09.430.02	BRACKET - UNDERBEAM RH	2
10	46100.01	SPACER	1
11	45529.01	SPACER	4
12	04.282.76	STUD - M10 X 70 PLATED	4
12	05.282.02	SPRING WASHER 10MM PLATED*	6
13	04.282.88	STUD M10 X 23	2
13	05.281.02	FLT WASHER 10MM PLATED FORM C*	3
13*	46070.01	CLAMP - HOSE	2
13	9100025	NUT DOMED M10 PLATED	3
14	46101.01	GUARD - HOSE 1ST ARM LH 5	1
14	46101.02	GUARD - HOSE 1 <sup>ST</sup> ARM RH 5	1
15	46099.01	BRACKET - HOSE MOUNTING LH	1
15	46099.02	BRACKET - HOSE MOUNTING RH	1
16*	03.100.01	STUD M10 X 34MM	2
16	05.286.02	NUT M10 PLATED*	6
17	08.128.03	ADAPTR 1" BSP BULKHEAD C/W LNUT	2
18	03.231.11	RUBBER EDGING 235MM LONG	1
19	03.231.12	RUBBER EDGING 150MM	1
20	05.292.11	BOLT M10 X 80MM PLATED*	1
21	05.953.01	GREASE NIPPLE M6*	2
22	43292.32	PIN 40 DIA X 557	1

• MAIN PART IN GROUP, RELATED PARTS HAVE SAME REFERENCE NUMBER

REF	PART NO.	DESCRIPTION	QTY
<b>77.112.11/12 ARM ASSY 2ND LH/RH 5.0 FOR 9052</b>			
30	05.953.04	GREASE NIPPLE M10 90 DEG*	1
30	46244.02	ARM – 2 <sup>ND</sup> ARM FWD FALCON 5 RH	1
30*	46244.01	ARM - 2 ND ARM FWD FALCON 5 LH	1
31	08.297.02	BUSH - PLASTIC 47 X 40 X 40	4
32	05.287.02	SELF-LOCKING NUT M10 PLATED*	1
32	05.292.21	BOLT M12 X 80MM PLATED	1
32	05.953.01	GREASE NIPPLE M6*	2
33*	03.654.89	PIN 30 DIA X 170	1
33	05.287.01	SELF-LOCKING NUT M8 PLATED*	1
33	05.291.06	BOLT M8 X 55MM PLATED	1
34*	03.654.79	PIN - DIA 30 X 214	1
34	05.287.01	SELF-LOCKING NUT M8 PLATED*	1
34	05.291.06	BOLT M8 X 55MM PLATED	1
35	46249.01	GUARD - HOSE 2ND ARM LH FAL 5F	1
35	46249.02	GUARD – HOSE 2 <sup>ND</sup> ARM RH FAL 5F	1
36*	04.282.84	STUD M10 X 1.5 - 95 LONG	2
36	05.281.02	FLT WASHER 10MM PLATED FORM C*	4
36	05.286.02	NUT M10 PLATED*	2
36	9100025	NUT DOMED M10 PLATED	2
37	06.418.05	CLAMP PLATE 95 X 6	2
38	30.217.76	HOSE TWIN CLAMP	2
39	45630.01	HOSE CLAMP-LOWER HP HOSES	2
40	03.231.13	RUBBER EDGING 212MM	1
41*	03.654.95	PIN 30 DIA X 278	1
41	05.287.01	SELF-LOCKING NUT M8 PLATED*	1
41	05.291.06	BOLT M8 X 55MM PLATED	1
42	04.282.09	STUD M10 X 85MM	1
42	05.281.02	FLT WASHER 10MM PLATED FORM C*	1
42*	43423.01	BRACKET - HOSE CLAMP	1
42	9100025	NUT DOMED M10 PLATED	1
<b>77.169.01/02 ARM ASSY - INTER BEAM LH/RH 8976</b>			
60	46160.02	BEAM – INTERMEDIATE RH	1
60	46160.01	BEAM - INTERMEDIATE LH	1
61	08.297.02	BUSH - PLASTIC 47 X 40 X 40	2
62	05.287.02	SELF-LOCKING NUT M10 PLATED*	1
62	05.292.11	BOLT M10 X 80MM PLATED*	1
62	05.953.01	GREASE NIPPLE M6*	2
62	43292.33	PIN 40 DIA X 374	1
63	03.654.89	PIN 30 DIA X 170	1
63	05.287.01	SELF-LOCKING NUT M8 PLATED*	1
63	05.291.06	BOLT M8 X 55MM PLATED	1
64	03.654.96	PIN 30 DIA X 198	1
64	05.287.01	SELF-LOCKING NUT M8 PLATED*	1
64	05.291.06	BOLT M8 X 55MM PLATED	1
65	46172.02	GUARD – HOSE INT BEAM RH	1
65	46172.01	GUARD - HOSE INT BEAM LH	1
66	45630.01	HOSE CLAMP-LOWER HP HOSES	3
67	06.418.05	CLAMP PLATE 95 X 6	2
68	30.217.76	HOSE TWIN CLAMP	1
69	04.282.84	STUD M10 X 1.5 - 95 LONG	1
69	05.281.02	FLT WASHER 10MM PLATED FORM C*	2
69	05.286.02	NUT M10 PLATED*	2
69	9100025	NUT DOMED M10 PLATED	2
70	04.282.69	STUD - M10 X 105	1
71	03.231.12	RUBBER EDGING 150MM	1
72	03.231.13	RUBBER EDGING 212MM	1
73	09.232.01	THRUST WASHER	1

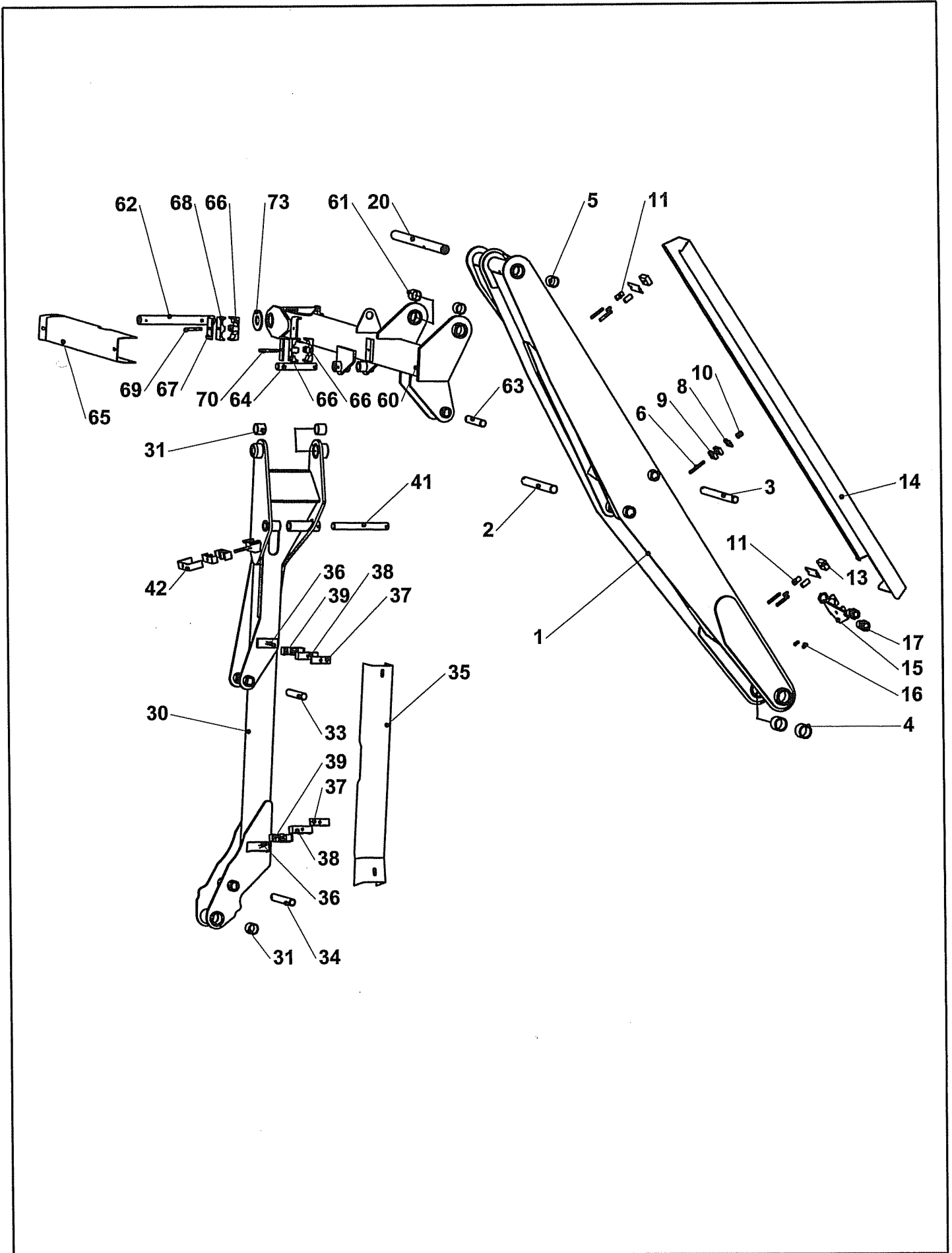
- MAIN PART IN GROUP, RELATED PARTS HAVE SAME REFERENCE NUMBER





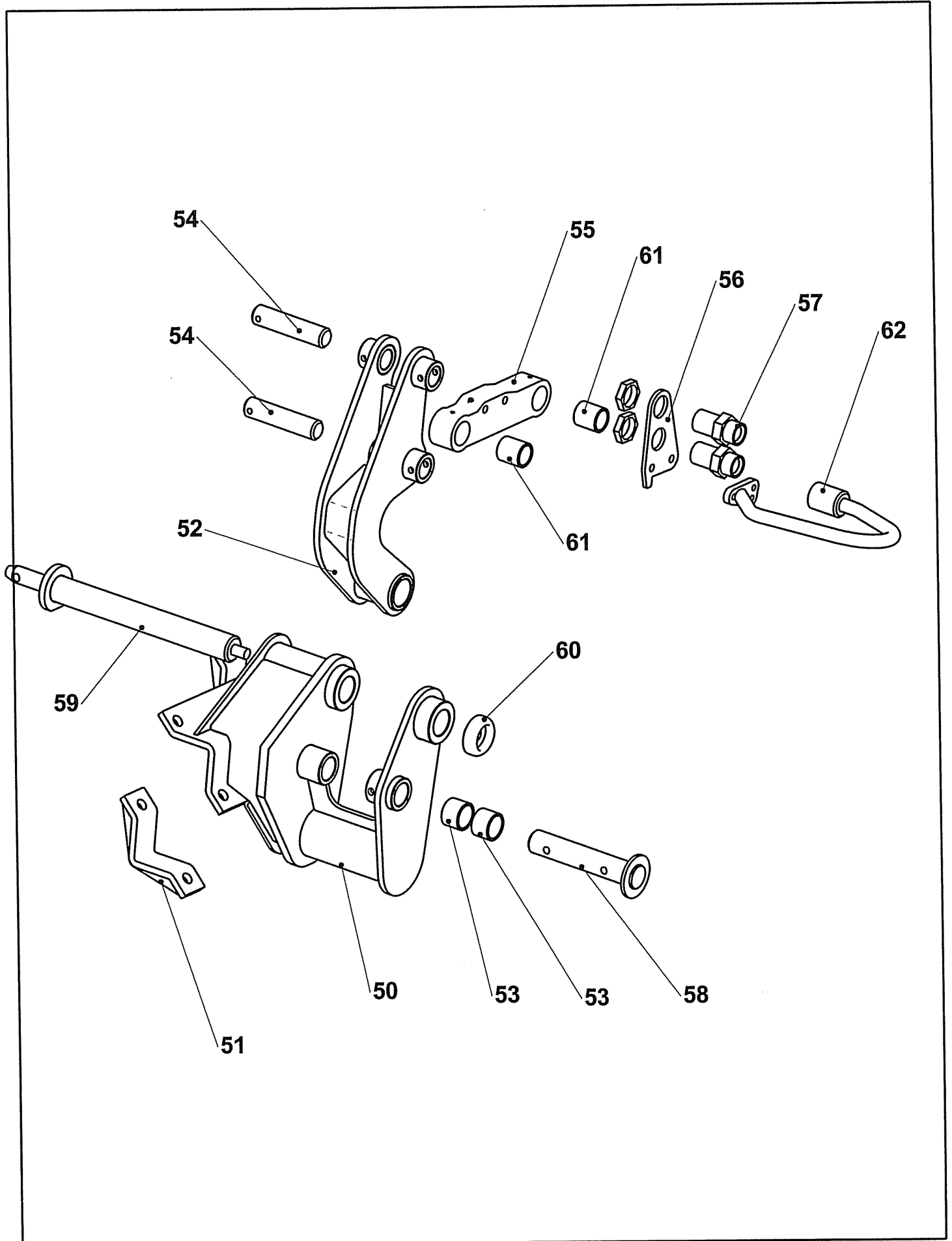
REF	PART NO.	DESCRIPTION	QTY
<b>77.115.09/10 ARM ASSY FIRST LH/RH 5.5 FOR 8976</b>			
01	46161.01	ARM - FIRST FOR 5.5	1
01	46161.02	ARM - FIRST FOR 5.5	1
02*	03.655.62	PIN 35 DIA X 324	1
02	05.287.02	SELF-LOCKING NUT M10 PLATED*	1
02	05.291.18	BOLT M10 X 65 PLATED*	1
03*	03.654.92	PIN 30 DIA X 355	1
03	05.287.01	SELF-LOCKING NUT M8 PLATED*	1
03	05.291.06	BOLT M8 X 55MM PLATED	1
04	08.297.01	BUSH - PLASTIC 60 X 50 X 50	2
05	08.297.02	BUSH - PLASTIC 47 X 40 X 40	2
06*	04.282.09	STUD M10 X 85MM	1
06	05.281.02	FLT WASHER 10MM PLATED FORM C*	1
06	9100025	NUT DOMED M10 PLATED	1
08	06.418.06	CLAMP PLATE 48 X 6	1
09	06.430.02	CLAMP HOSE 14 X 14	2
10	46100.01	SPACER	1
11	45529.01	SPACER	4
12*	04.282.76	STUD - M10 X 70 PLATED	4
12	05.282.02	SPRING WASHER 10MM PLATED*	4
12	05.286.02	NUT M10 PLATED*	4
13	04.282.88	STUD M10 X 23	2
13	05.281.02	FLT WASHER 10MM PLATED FORM C*	2
13*	46070.01	CLAMP - HOSE	2
13	9100025	NUT DOMED M10 PLATED	2
14	46104.01	GUARD FIRST ARM LH 5.5 NON PAR	1
14	46104.02	GUARD FIRST ARM RH 5.5	1
15	46099.01	BRACKET - HOSE MOUNTING LH	1
15	46099.02	BRACKET - HOSE MOUNTING RH	1
16*	03.100.01	STUD M10 X 34MM	2
16	05.282.02	SPRING WASHER 10MM PLATED*	2
16	05.286.02	NUT M10 PLATED*	2
17	08.128.03	ADAPTR 1"BSP BULKHEAD C/W LNUT	2
18	03.231.11	RUBBER EDGING 235MM LONG	1
19	03.231.12	RUBBER EDGING 150MM	1
20	05.287.02	SELF-LOCKING NUT M10 PLATED*	1
20	05.292.11	BOLT M10 X 80MM PLATED*	1
20	05.953.01	GREASE NIPPLE M6*	2
20*	43292.32	PIN 40 DIA X 557	1

- MAIN PART IN GROUP, RELATED PARTS HAVE SAME REFERENCE NUMBER



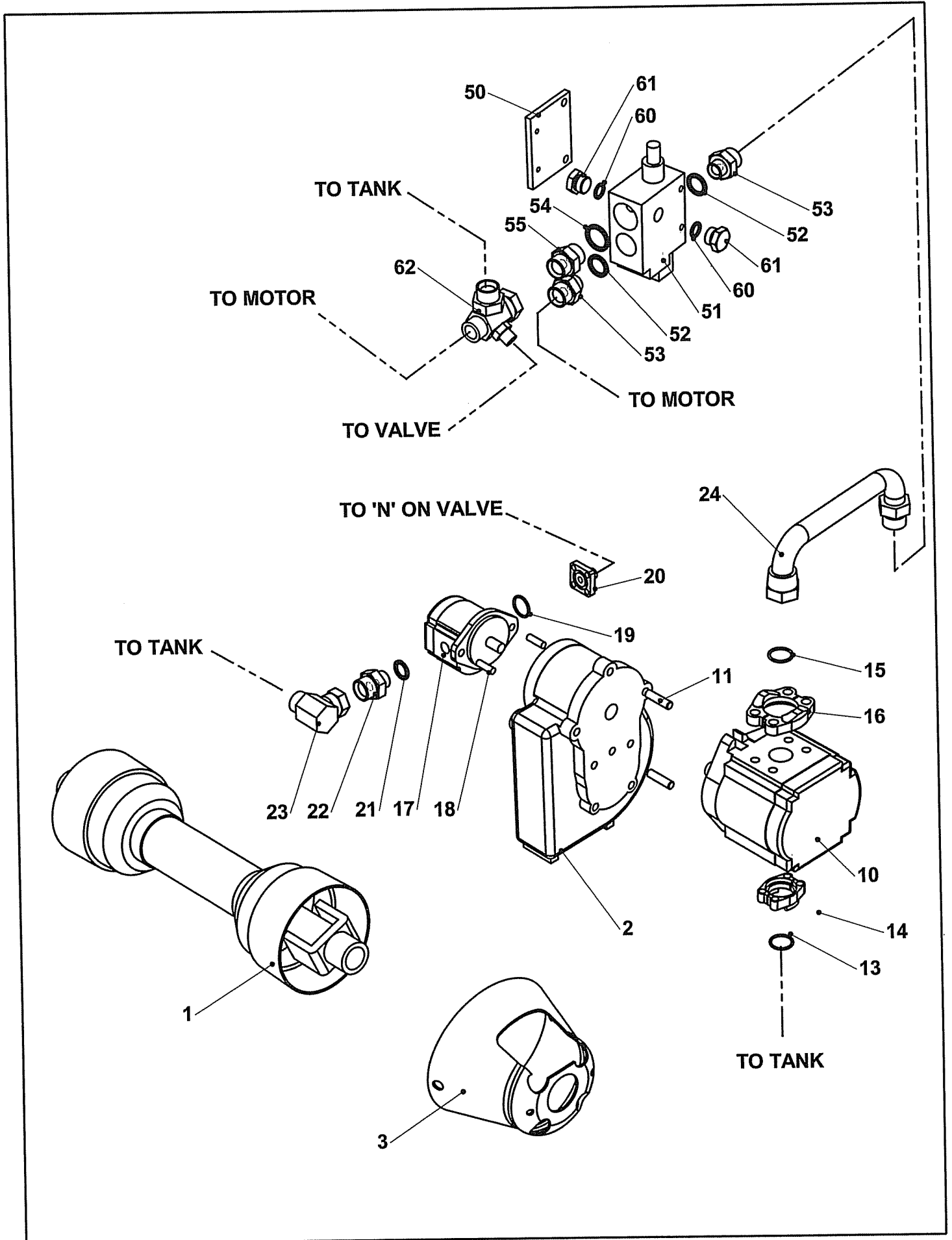
REF	PART NO.	DESCRIPTION	QTY
<b>77.112.09/10 ARM ASSY 2ND LH/RH 5.5 8976</b>			
30	05.953.04	GREASE NIPPLE M10 90 DEG*	1
30*	46167.01	ARM - SECOND FOR 5.5 LH	1
30	46167.02	ARM - SECOND FOR 5.5 RH	1
31	08.297.02	BUSH - PLASTIC 47 X 40 X 40	4
32	05.287.02	SELF-LOCKING NUT M10 PLATED*	1
32*	05.292.21	BOLT M12 X 80MM PLATED	1
32	05.953.01	GREASE NIPPLE M6*	2
33*	03.654.89	PIN 30 DIA X 170	1
33	05.287.01	SELF-LOCKING NUT M8 PLATED*	1
33	05.291.06	BOLT M8 X 55MM PLATED	1
34	03.654.79	PIN - DIA 30 X 214	1
34	05.287.01	SELF-LOCKING NUT M8 PLATED*	1
34	05.291.06	BOLT M8 X 55MM PLATED	1
35	46173.01	GUARD - HOSE 2ND ARM LH	1
35	46173.02	GUARD - HOSE 2 <sup>ND</sup> ARM RH	1
36*	04.282.84	STUD M10 X 1.5 - 95 LONG	2
36	05.281.02	FLT WASHER 10MM PLATED FORM C*	4
36	05.286.02	NUT M10 PLATED*	2
36	9100025	NUT DOMED M10 PLATED	2
37	06.418.05	CLAMP PLATE 95 X 6	2
38	30.217.76	HOSE TWIN CLAMP	2
39	45630.01	HOSE CLAMP-LOWER HP HOSES	2
40	03.231.13	RUBBER EDGING 212MM	1
41*	03.654.95	PIN 30 DIA X 278	1
41	05.287.01	SELF-LOCKING NUT M8 PLATED*	1
41	05.291.06	BOLT M8 X 55MM PLATED	1
42	04.282.09	STUD M10 X 85MM	1
42	05.281.02	FLT WASHER 10MM PLATED FORM C*	1
42*	43423.01	BRACKET - HOSE CLAMP	1
42	9100025	NUT DOMED M10 PLATED	1
<b>77.169.01/02 ARM ASSY - INTER BEAM LH/RH 8976</b>			
60*	46160.02	BEAM - INTERMEDIATE RH	1
60	46160.01	BEAM - INTERMEDIATE LH	1
61	08.297.02	BUSH - PLASTIC 47 X 40 X 40	2
62	05.287.02	SELF-LOCKING NUT M10 PLATED*	1
62	05.292.11	BOLT M10 X 80MM PLATED*	1
62	05.953.01	GREASE NIPPLE M6*	2
62*	43292.33	PIN 40 DIA X 374	1
63*	03.654.89	PIN 30 DIA X 170	1
63	05.287.01	SELF-LOCKING NUT M8 PLATED*	1
63	05.291.06	BOLT M8 X 55MM PLATED	1
64*	03.654.96	PIN 30 DIA X 198	1
64	05.287.01	SELF-LOCKING NUT M8 PLATED*	1
64	05.291.06	BOLT M8 X 55MM PLATED	1
65	46172.02	GUARD - HOSE INT BEAM RH	1
65	46172.01	GUARD - HOSE INT BEAM LH	1
66	45630.01	HOSE CLAMP-LOWER HP HOSES	3
67	06.418.05	CLAMP PLATE 95 X 6	2
68	30.217.76	HOSE TWIN CLAMP	1
69*	04.282.84	STUD M10 X 1.5 - 95 LONG	1
69	05.281.02	FLT WASHER 10MM PLATED FORM C*	2
69	05.286.02	NUT M10 PLATED*	2
69	9100025	NUT DOMED M10 PLATED	2
70	04.282.69	STUD - M10 X 105	1
71	03.231.12	RUBBER EDGING 150MM	1
72	03.231.13	RUBBER EDGING 212MM	1
73	09.237.01	THRUST WASHER	1

- MAIN PART IN GROUP, RELATED PARTS HAVE SAME REFERENCE NUMBER



REF	PART NO.	DESCRIPTION	QTY
<b>77.108.01/02 COWL BRACKET ASSY LH/RH8852</b>			
50	45949.01	BRACKET - COWL LH	1
50	45949.02	BRACKET - COWL RH	1
51	05.264.37	SETSCREW M16 X 50MM PLATED	4
51	05.282.04	SPRING WASHER 16MM PLATED	4
51	05.286.04	NUT M16 PLATED	4
51*	45948.01	CLAMP - COWL 70X70	2
52	05.953.03	GREASE NIPPLE M10	1
52*	46090.01	LINK - COWL	1
53	08.297.05	PLASTIC BUSH - 42 X 35 - 30	2
54*	03.654.59	PIN - DIA 30 X 128	2
54	05.287.01	SELF-LOCKING NUT M8 PLATED	2
54	05.291.06	BOLT M8 X 55MM PLATED	2
55	05.953.01	GREASE NIPPLE M6	1
55	05.953.05	GREASE NIPPLE M6 X 90DEG	1
55*	45950.01	LINK - COWL	1
56	45491.01	PLATE - BULKHEAD	1
57	08.128.03	ADAPTR 1"BSP BULKHEAD C/W LNUT	2
58*	03.655.27	PIN 35 DIA X 184	1
58	05.287.02	SELF-LOCKING NUT M10 PLATED	1
58	05.291.18	BOLT M10 X 65 PLATED	1
59	00.372.01	LINCH PIN	1
59	05.282.04	SPRING WASHER 16MM PLATED	1
59	05.286.04	NUT M16 PLATED	1
59*	45951.01	PIN - COWL PIVOT 40 DIA	1
60	07.942.03	WASHER - SPECIAL M16	1
61	08.297.10	PLASTIC BUSH - 37 X 30 - 40	2
62	04.282.76	STUD - M10 X 70 PLATED	2
62	05.287.02	SELF-LOCKING NUT M10 PLATED	2
62*	45954.01	GUARD - BULKHEAD	1

\* MAIN PART IN GROUP, RELATED PARTS HAVE SAME REFERENCE NUMBER



REF	PART NO.	DESCRIPTION	QTY
<b>77.107.03/04 PTO/GEARBOX/PUMPS ELECT LH &amp; RH</b>			
01	04.402.02	P.T.O GUARD ASSY 560MM C/C	0
01	06.154.13	PTO JOURNAL BEARING KIT	0
01*	41624.01	PTO SHAFT ASSY 560 MM C/C	1
01	41624.31	CROSS JOURNAL SET	0
01	41624.32	COMPLETE SHIELD	0
02	05.968.03	SELF LOCKING NUT M12 (FINE)	4
02*	42693.02	GEARBOX 3:1 CAST IRON	1
02	43548.32	STUD M12 FINE M12 COARSE	4
03	05.281.01	FLAT WASHER 8MM PLATED	2
03	05.282.01	SPRING WASHER 8MM PLATED	2
03	05.839.03	SETSCREW M8 X 16MM PLATED	2
03*	08.548.01	GUARD - PLASTIC PTO CUP	1
10	05.453.01	SEAL KIT (0547901/0953601)	0
10*	09.536.01	GEAR PUMP - ULTRA 3PL	1
11*	04.282.74	STUD - M12 X 49	2
11	05.281.03	FLAT WASHER 12MM PLATED	2
11	05.287.03	SELF-LOCKING NUT M12 PLATED	2
12	41421.01	GASKET - PUMP FACE	1
13	8600124	O RING 200-219-4490	1
14*	01.697.03	SPLIT FLANGE(2) 1"SAE 3000PSI	1
14	0342103	CAPCREW 3/8"UNC 1.1/4"LGBZP	4
15	8600303	O RING 200-225-4490	1
16	0342104	CAPSCREW 1/2"UNC 1.1/4"LGBZP	4
16*	41.294.01	SPLT FLANGE(2) 1.1/2"SAE3000PSI	1
17	09.537.02	GEAR PUMP - ULTRA 1PX100 - ELECTRIC MACHINES	1
17	09.537.04	SEAL KIT PX PUMPS	0
18*	03.100.01	STUD M10 X 34MM	2
18	05.287.02	SELF-LOCKING NUT M10 PLATED	2
19	30.210.92	O RING 200-121-4490	1
20	05.657.01	SCKT CAPSCREW 5/16"UNC X 7/8"	4
20*	09.745.01	ADAPTOR FLANGE 3/8" BSP	1
21	05.290.05	BONDED SEAL 1/2"BSP	1
22	30.059.84	ADAPTOR 1/2 BSPM / 1 BSPM	1
23	05.835.02	ADAPTOR-SWIVEL 90 1"BSP M/F	1
24	46127.01 ▲	PIPE - HYDRAULIC 1"BSP	1

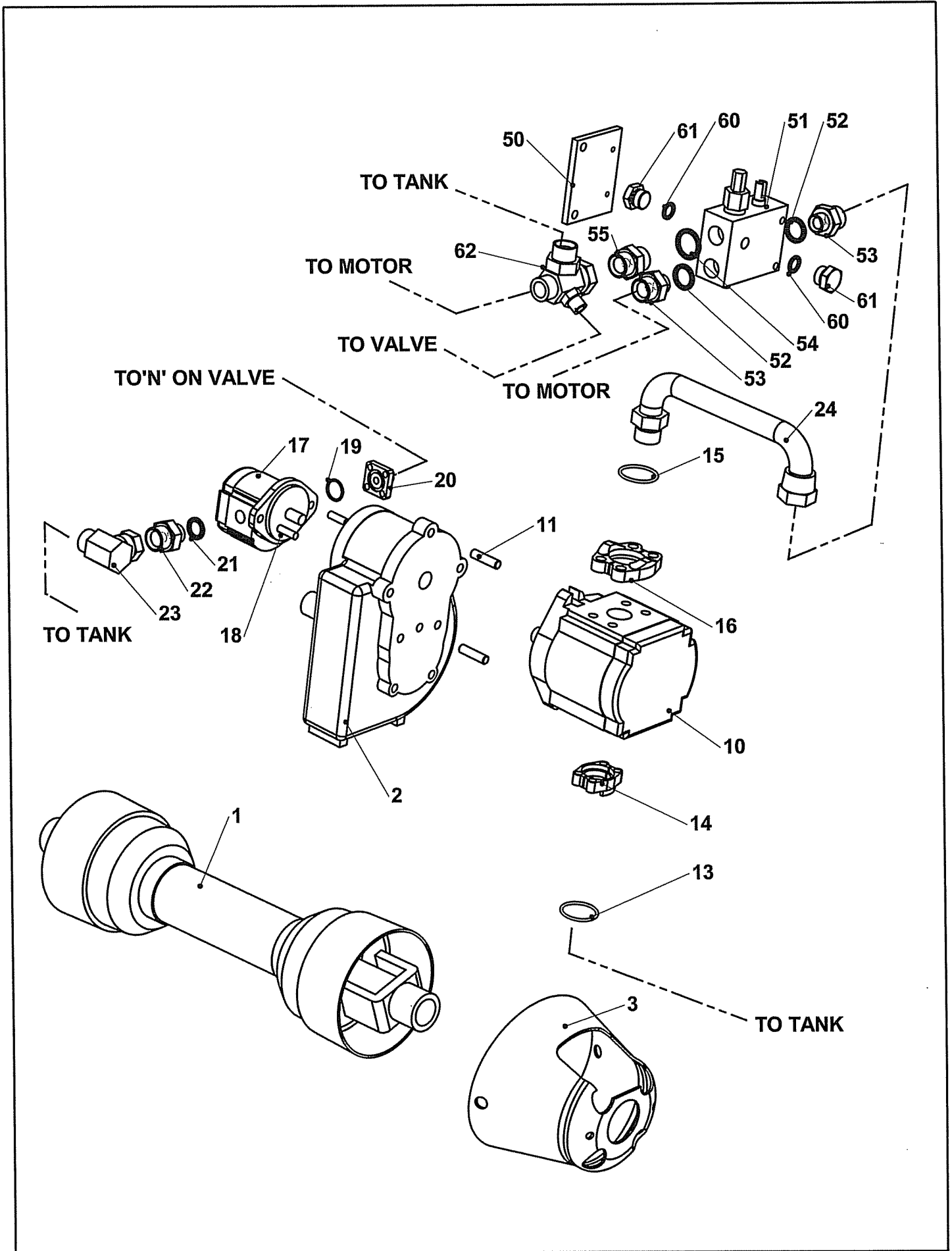
▲LH MACHINES ONLY

**77.126.01 PUMP CIRCUIT ELECTRIC 8852**

50	05.282.01	SPRING WASHER 8MM PLATED	2
50	05.291.07	BOLT M8 X 60MM PLATED	2
50*	46058.01	FLT 100 X 10 - 170	1
51	08.943.01	RELIEF VALVE/DIVERTER-ELECTRIC	1
52	05.290.06	BONDED SEAL 3/4"BSP	2
53	05.373.01	ADAPTOR 3/4"BSP X 1"BSP	2
54	05.290.07	BONDED SEAL 1"BSP	1
55	05.434.01	ADAPTOR 1"BSP X 1"BSP	1
58	05.434.01 ■	ADAPTOR 1"BSP X 1"BSP	2
59	05.433.03 ■	PLUG 1"BSP PLATED	2
60	05.290.04	BONDED SEAL 3/8"BSP	2
61	05.433.01	PLUG 3/8"BSP PLATED	2
62	04.056.46	ADAPTOR-SPECIAL M/M/M/F	1

■ NOT ILLUSTRATED

\*MAIN PART IN GROUP, RELATED PARTS HAVE SAME REFERENCE NUMBER





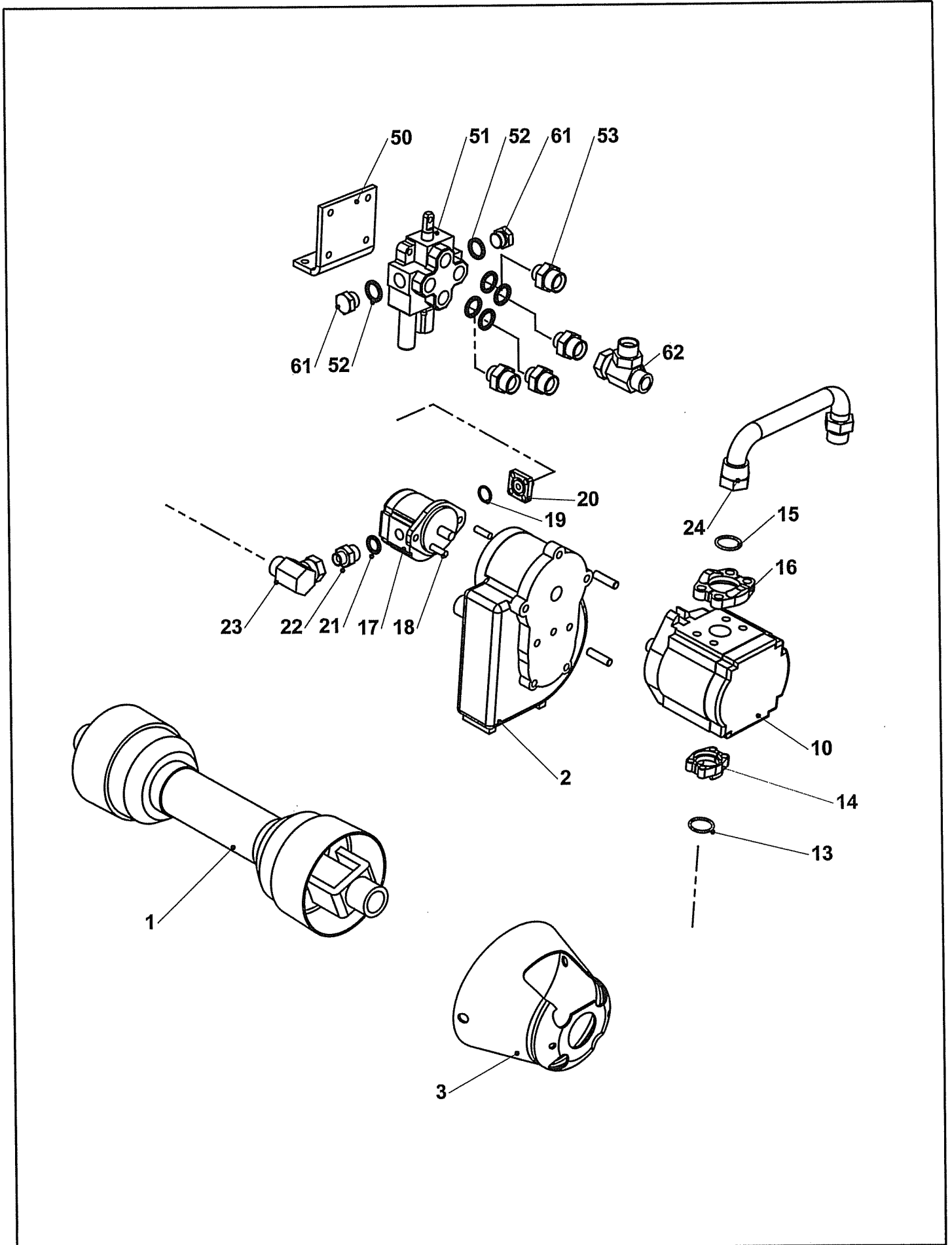
REF	PART NO.	DESCRIPTION	QTY
<b>77.107.01/02 PTO/GEARBOX/PUMPS CABLE LH/RH</b>			
01	04.402.02	P.T.O GUARD ASSY 560MM C/C	0
01	06.154.13	PTO JOURNAL BEARING KIT	0
01*	41624.01	PTO SHAFT ASSY 560 MM C/C	1
01	41624.31	CROSS JOURNAL SET	0
01	41624.32	COMPLETE SHIELD	0
02	05.968.03	SELF LOCKING NUT M12 (FINE)	4
02*	42693.02	GEARBOX 3:1 CAST IRON	1
02	43548.32	STUD M12 FINE M12 COARSE	4
03	05.281.01	FLAT WASHER 8MM PLATED	2
03	05.282.01	SPRING WASHER 8MM PLATED	2
03	05.839.03	SETSCREW M8 X 16MM PLATED	2
03*	08.548.01	GUARD - PLASTIC PTO CUP	1
10	05.453.01	SEAL KIT (0547901/0953601)	0
10*	09.536.01	GEAR PUMP - ULTRA 3PL	1
11*	04.282.74	STUD - M12 X 49	2
11	05.281.03	FLAT WASHER 12MM PLATED	2
11	05.287.03	SELF-LOCKING NUT M12 PLATED	2
12	41421.01	GASKET - PUMP FACE (NOT ILLUSTRATED)	1
13	8600124	O RING 200-219-4490	1
14*	01.697.03	SPLIT FLANGE(2) 1"SAE 3000PSI	1
14	0342103	CAPCREW 3/8"UNC 1.1/4"LGBZP	4
15	8600303	O RING 200-225-4490	1
16	0342104	CAPSCREW 1/2"UNC 1.1/4"LGBZP	4
16*	41.294.01	SPLT FLANGE(2) 1.1/2"SAE3000PSI	1
17*	09.537.02	GEAR PUMP - ULTRA 1PX100 - CABLE MACHINES	1
17	09.537.04	SEAL KIT PX PUMPS	0
18*	03.100.01	STUD M10 X 34MM	2
18	05.287.02	SELF-LOCKING NUT M10 PLATED	2
19	30.210.92	O RING 200-121-4490	1
20	05.657.01	SCKT CAPSCREW 5/16"UNC X 7/8"	4
20*	09.745.01	ADAPTOR FLANGE 3/8" BSP	1
21	05.290.05	BONDED SEAL 1/2"BSP	1
22	30.059.84	ADAPTOR 1/2 BSPM / 1 BSPM	1
23	05.835.02	ADAPTOR-SWIVEL 90 1"BSP M/F	1
24	46127.01 ■	PIPE - HYDRAULIC 1" BSP	1

■ LH MACHINES ONLY

**77.126.02 PUMP CIRCUIT CABLE 8852**

50	05.282.01	SPRING WASHER 8MM PLATED	2
50	05.291.07	BOLT M8 X 60MM PLATED	2
50	46058.01	FLT 100 X 10 - 170	1
51	06.284.16	DIVERTER/RELIEF ASSY - 207 BAR	1
52	05.290.06	BONDED SEAL 3/4"BSP	2
53	05.373.01	ADAPTOR 3/4"BSP X 1"BSP	2
54	05.290.07	BONDED SEAL 1"BSP	1
55	05.434.01	ADAPTOR 1"BSP X 1"BSP	1
58	05.434.01	ADAPTOR 1"BSP X 1"BSP (NOT ILLUSTRATED)	2
59	05.433.03	PLUG 1"BSP PLATED (NOT ILLUSTRATED)	2
60	05.290.04	BONDED SEAL 3/8"BSP	2
61	05.433.01	PLUG 3/8"BSP PLATED	2
62	04.056.46	ADAPTOR-SPECIAL M/M/M/F	1

\*MAIN PART IN GROUP, RELATED PARTS HAVE SAME REFERENCE NUMBER



REF	PART NO.	DESCRIPTION	QTY
<b>77.107.01/02/03/04 PTO/GEARBOX/PUMPS</b>			
01	04.402.02	P.T.O GUARD ASSY 560MM C/C	0
01	06.154.13	PTO JOURNAL BEARING KIT	0
01*	41624.01	PTO SHAFT ASSY 560 MM C/C	1
01	41624.31	CROSS JOURNAL SET	0
01	41624.32	COMPLETE SHIELD	0
02	05.968.03	SELF LOCKING NUT M12 (FINE)	4
02*	42693.02	GEARBOX 3:1 CAST IRON	1
02	43548.32	STUD M12 FINE M12 COARSE	4
03	05.281.01	FLAT WASHER 8MM PLATED	2
03	05.282.01	SPRING WASHER 8MM PLATED	2
03	05.839.03	SETSCREW M8 X 16MM PLATED	2
03*	08.548.01	GUARD - PLASTIC PTO CUP	1
10	05.453.01	SEAL KIT (0547901/0953601)	0
10*	09.536.01	GEAR PUMP - ULTRA 3PL	1
11*	04.282.74	STUD - M12 X 49	2
11	05.281.03	FLAT WASHER 12MM PLATED	2
11	05.287.03	SELF-LOCKING NUT M12 PLATED	2
12	41421.01	GASKET - PUMP FACE (NOT ILLUSTRATED)	1
13	8600124	O RING 200-219-4490	1
14*	01.697.03	SPLIT FLANGE(2) 1"SAE 3000PSI	1
14	0342103	CAPCREW 3/8"UNC 1.1/4"LGBZP	4
15	8600303	O RING 200-225-4490	1
16	0342104	CAPSCREW 1/2"UNC 1.1/4"LGBZP	4
16*	41.294.01	SPLT FLANGE(2) 1.1/2"SAE3000PSI	1
17*	09.537.02	GEAR PUMP - ULTRA 1PX100	1
17	09.537.04	SEAL KIT PX PUMPS	0
18*	03.100.01	STUD M10 X 34MM	2
18	05.287.02	SELF-LOCKING NUT M10 PLATED	2
19	30.210.92	O RING 200-121-4490	1
20	05.657.01	SCKT CAPSCREW 5/16"UNC X 7/8"	4
20*	09.745.01	ADAPTOR FLANGE 3/8" BSP	1
21	05.290.05	BONDED SEAL 1/2"BSP	1
22	30.059.84	ADAPTOR 1/2 BSPM / 1 BSPM	1
23	05.835.02	ADAPTOR-SWIVEL 90 1"BSP M/F	1
24	46127.01 ■	PIPE – HYDRAULIC 1" BSP	1

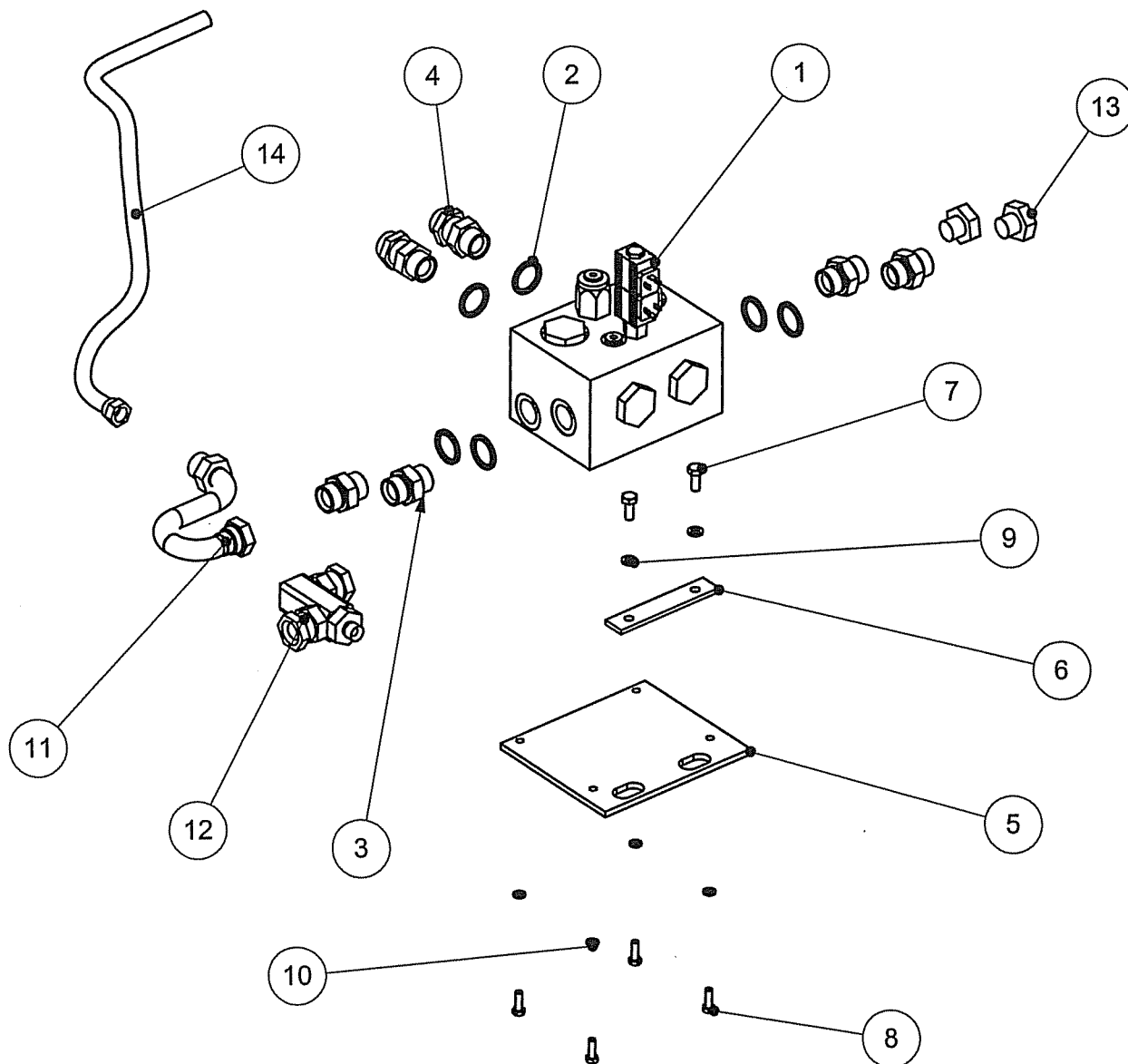
■ LH MACHINES ONLY

#### 77.126.03 PUMP CIRCUIT CABLE DSR

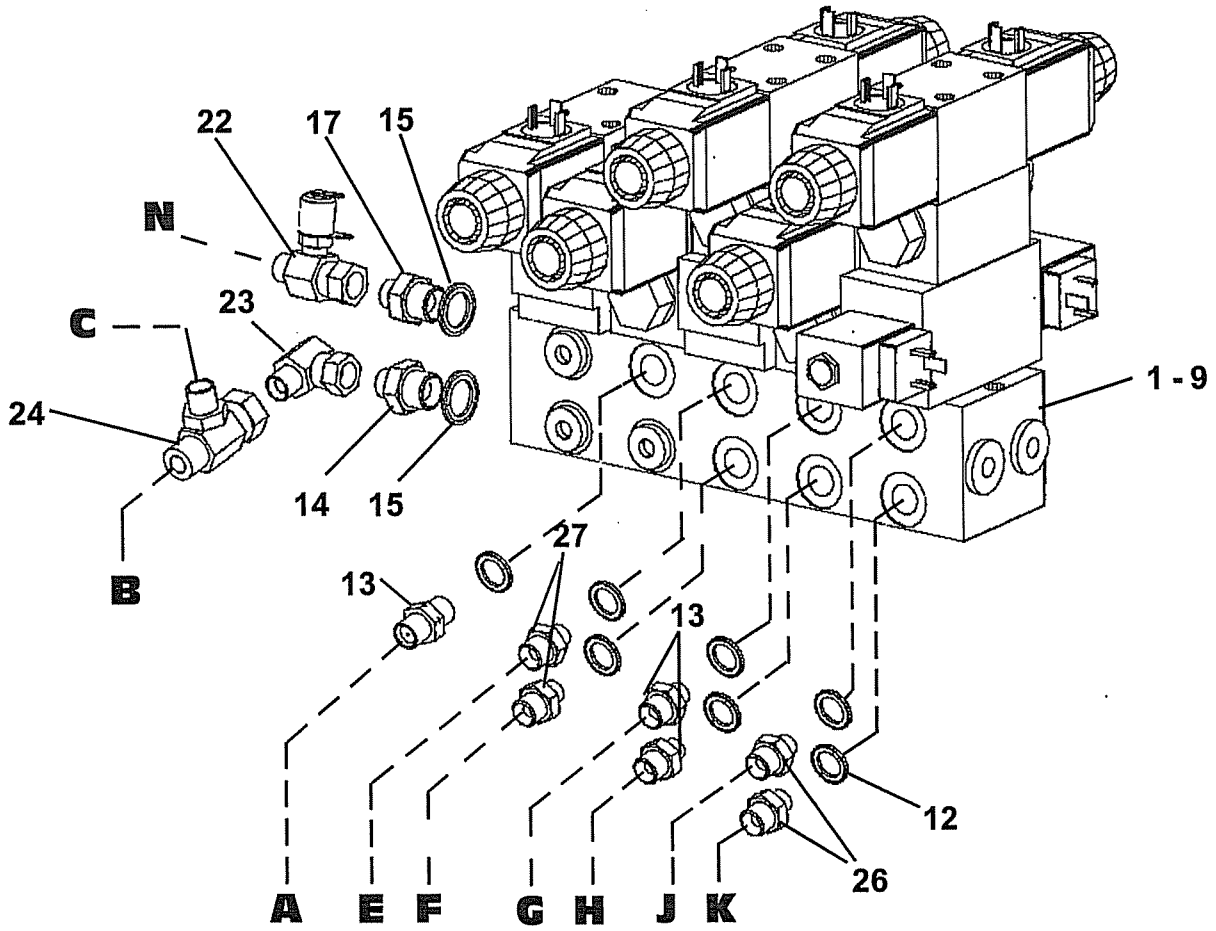
50	46095.01	PLATE – VALVE MOUNTING	1
51	8125095	CARTRIDGE VM10/1.Z3	0
51	8125385	ROTOR CONTROL VALVE (DSR)	1
51*	9343033	M6 X 16 SOCKET HEAD CAP	2
52	05.290.06	BONDED SEAL 3/4" BSP	6
53	05.373.01	ADAPTOR 3/4" BSP X 1" BSP	4
59	05.433.03	PLUG 1" BSP PLATED – NOT ILLUSTRATED	2
61	05.313.01	BLANKING PLUG – 3/4" BSP	2
62	04.056.46	ADAPTOR SPECIAL M/M/M/F	1

\*MAIN PART IN GROUP, RELATED PARTS HAVE SAME REFERENCE NUMBER

PUMP CIRCUIT ELECTRIC - 77.126.28



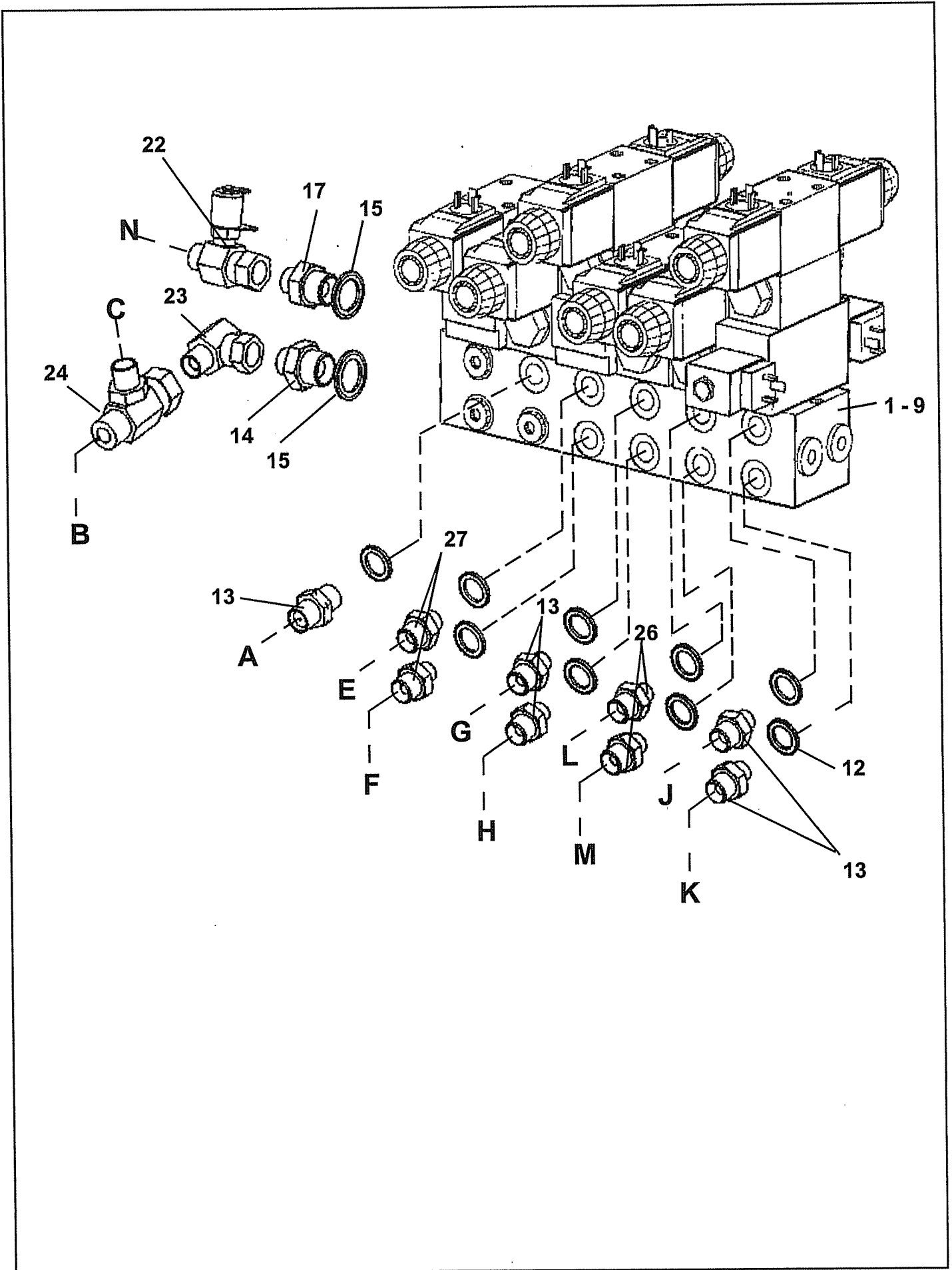
ITEM NO.	PART NUMBER	DESCRIPTION	QTY.
1	42768.01	VALVE RCV ELECTRIC	1
2	05.290.07	BONDED SEAL 1" BSP	6
3	05.434.01	ADAPTOR 1"BSP MM	4
4	08.128.03	BULKHEAD FITTING 1" BSP	2
5	46819.01	PLATE - ELEC DSR	1
6	46818.01	CLAMP - DSR PLATE	1
7	05.264.12	SETSCREW M10x25	2
8	05.264.02	SETSCREW M8x25	4
9	05.282.02	SPRING WASHER M10	2
10	05.282.01	SPRING WASHER M8	4
11	46127.03	PIPE - HYDRAULIC	1
12	46820.01	PIPE - DSR - FILTER	1
13	05.433.03	1"BSP PLUG	2
14	05.835.05	HOSE 1"BSP	1



- A PAGE 15 - 1
- C PAGE 15 - 1
- G PAGE 15 - 1
- H PAGE 15 - 1
- J PAGE 15 - 1
- K PAGE 15 - 1
- E PAGE 16 - 1
- F PAGE 16 - 1
- B PAGE 9 - 1
- N PAGE 9 - 1

REF	PART NO.	DESCRIPTION	QTY
77.132.01	VALVE ASSY – DCU 4 SERV		
01	05.282.09	SPRING WASHER 5MM PLATED	4
01*	30.073.93	SCREW M5 X 16MM 8.8 GRADE	4
01	41784.23	CONTROL VALVE – 4 PROP SERV + HF	1
02	41784.37	RELIEF VALVE CARTRIDGE 207 BAR	0
03	08.852.51	CETOP 3 VENT VALVE	0
04	08.852.55	CETOP 3 SINGLE PO CHECK VALVE	0
05	41784.31	SPOOL VALVE PROPORTIONAL	0
06	08.852.53	CETOP 3 DUAL PO CHECK VALVE	0
08	41784.43	SOLENOID POCV CARTRIDGE	0
09	41784.39	RELIEF VALVE CARTRIDGE 136 BAR	0
12	05.290.04	BONDED SEAL 3/8 BSP	7
13	01.099.01	ADAPTOR 3/8" BSP X 1/4" BSP	3
14	05.122.01	ADARTOR 1/2" BSP X 1/2" BSP	1
15	05.290.05	BONDED SEAL 1/2" BSP	3
17	05.123.01	ADAPTOR 1/2" BSP X 3/8" BSP	2
21	41814.08	DECAL – 4 SERVICE EPP3 (NOT ILLUSTRATED)	1
22	8131004	MF TEST UNION 3/8" BSP	1
24	04.056.25	ADAPTOR T FMM 1/2" X 1/2" X 1/4"	1
25	46056.01	PLATE – VALVE MOUNTING (NOT ILLUSTRATED)	1
26	03.028.08	RESTRICTOR 3/8" X 1/4" BSP 1.27	2
27	03.028.16	RESTRICTOR 3/8" X 1/4" BSP 1.00MM	2

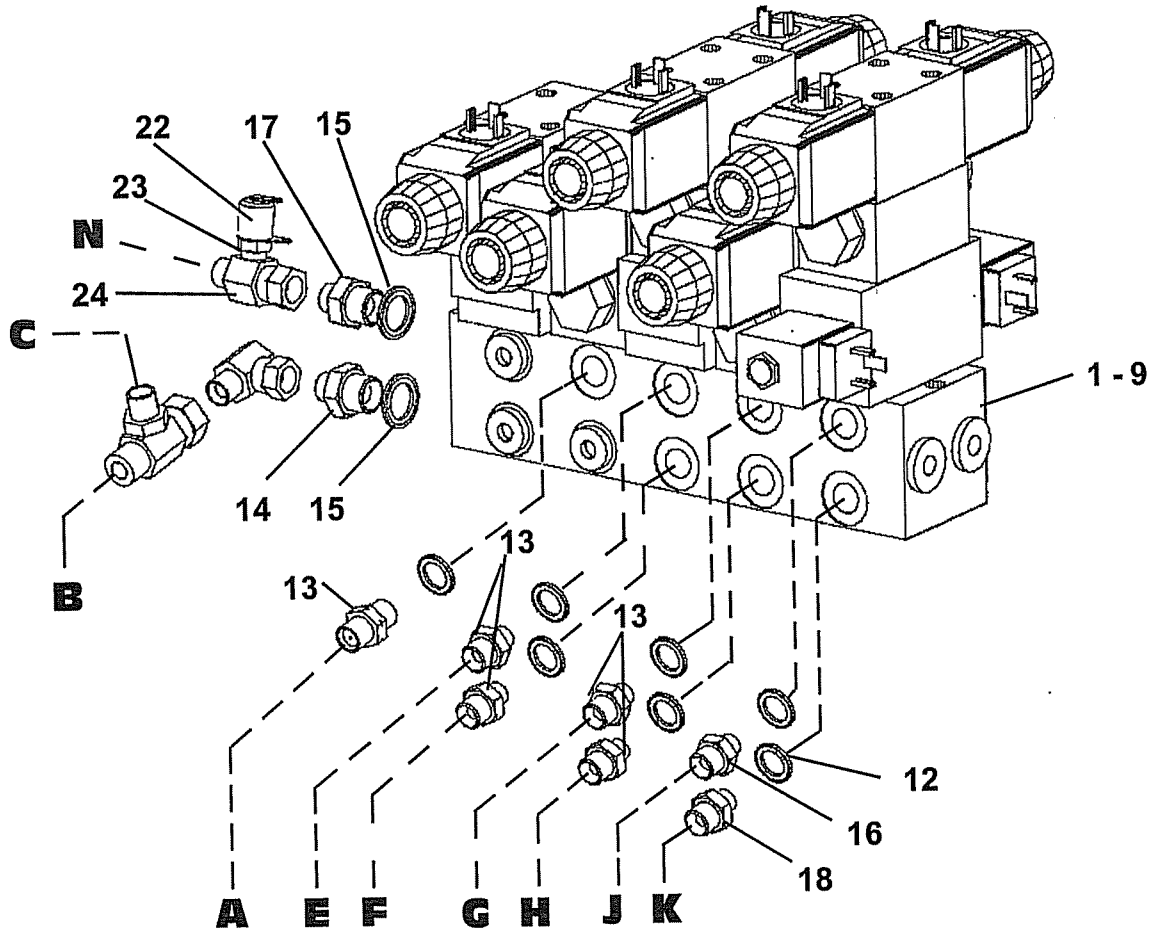
\*MAIN PART IN GROUP, RELATED PARTS HAVE SAME REFERENCE NUMBER



REF	PART NO.	DESCRIPTION	QTY
77.132.03	VALVE ASSY – DCU 5 SERV		
01	05.282.09	SPRING WASHER 5MM PLATED	4
01*	30.073.93	SCREW M5 X 16MM 8.8 GRADE	4
01	41784.28	CONTROL VALVE – 5 PROP SERV + HF	1
02	41784.37	RELIEF VALVE CARTRIDGE 207 BAR	0
03	08.852.51	CETOP 3 VENT VALVE	0
04	08.852.55	CETOP 3 SINGLE PO CHECK VALVE	0
05	41784.31	SPOOL VALVE PROPORTIONAL	0
06	08.852.53	CETOP 3 DUAL PO CHECK VALVE	0
08	41784.43	SOLENOID POCV CARTRIDGE	0
09	41784.39	RELIEF VALVE CARTRIDGE 136 BAR	0
12	05.290.04	BONDED SEAL 3/8 BSP	9
13	01.099.01	ADAPTOR 3/8" BSP X 1/4" BSP	5
14	05.122.01	ADARTOR 1/2" BSP X 1/2" BSP	1
15	05.290.05	BONDED SEAL 1/2" BSP	3
17	05.123.01	ADAPTOR 1/2" BSP X 3/8" BSP	2
21	41814.10	DECAL – 5 SERVICE EPP3 (NOT ILLUSTRATED)	1
22	8131004	MF TEST UNION 3/8" BSP	1
24	04.056.25	ADAPTOR T FMM 1/2" X 1/2" X 1/4"	1
25	46056.01	PLATE – VALVE MOUNTING (NOT ILLUSTRATED)	1
26	03.028.08	RESTRICTOR 3/8" X 1/4" BSP 1.27	2
27	03.028.16	RESTRICTOR 3/8" X 1/4" BSP 1.00MM	2

\*MAIN PART IN GROUP, RELATED PARTS HAVE SAME REFERENCE NUMBER

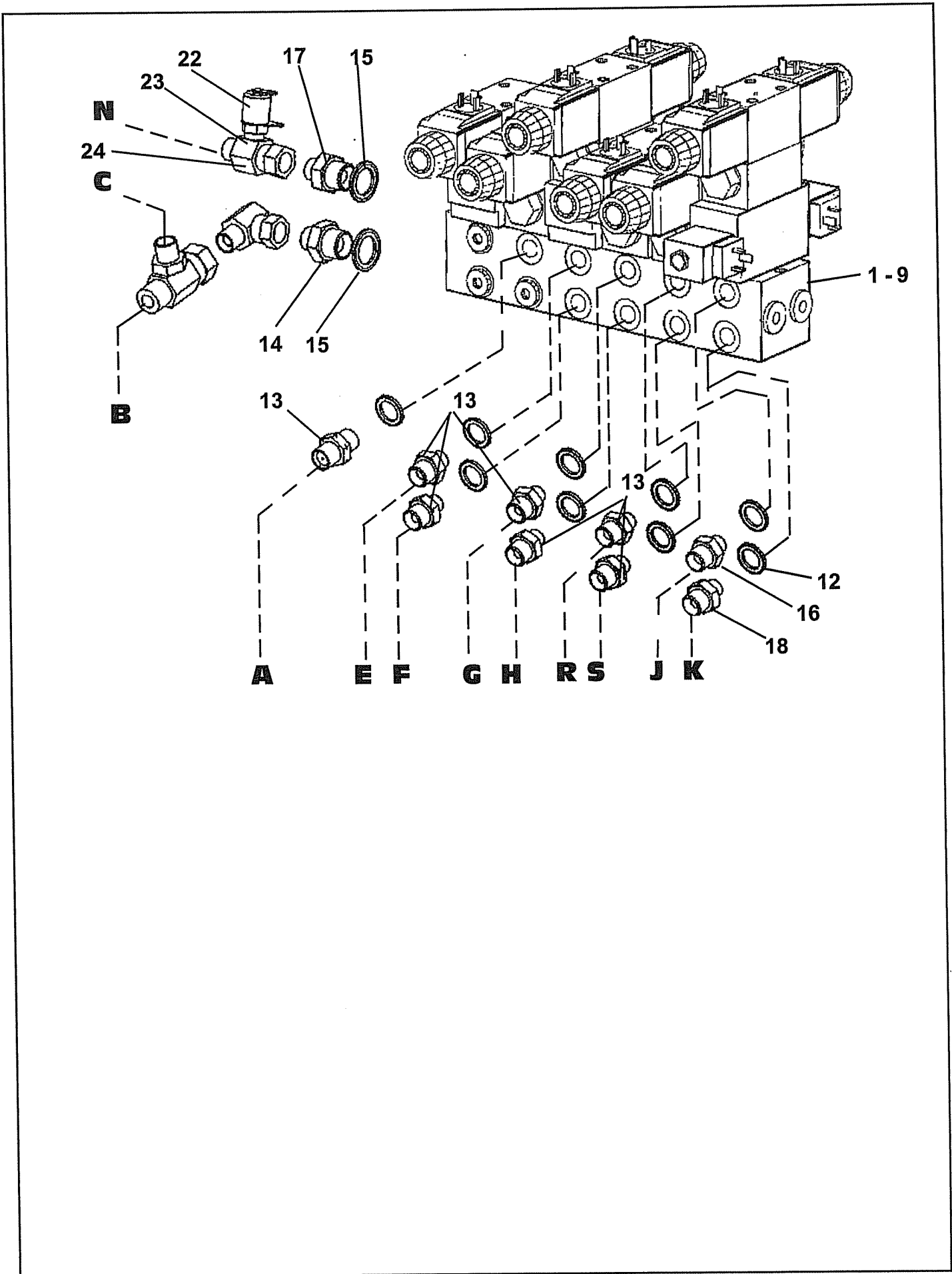




- A PAGE 15 - 1
- C PAGE 15 - 1
- G PAGE 15 - 1
- H PAGE 15 - 1
- J PAGE 15 - 1
- K PAGE 15 - 1
- E PAGE 16 - 1
- F PAGE 16 - 1
- B PAGE 9 - 1
- N PAGE 9 - 1

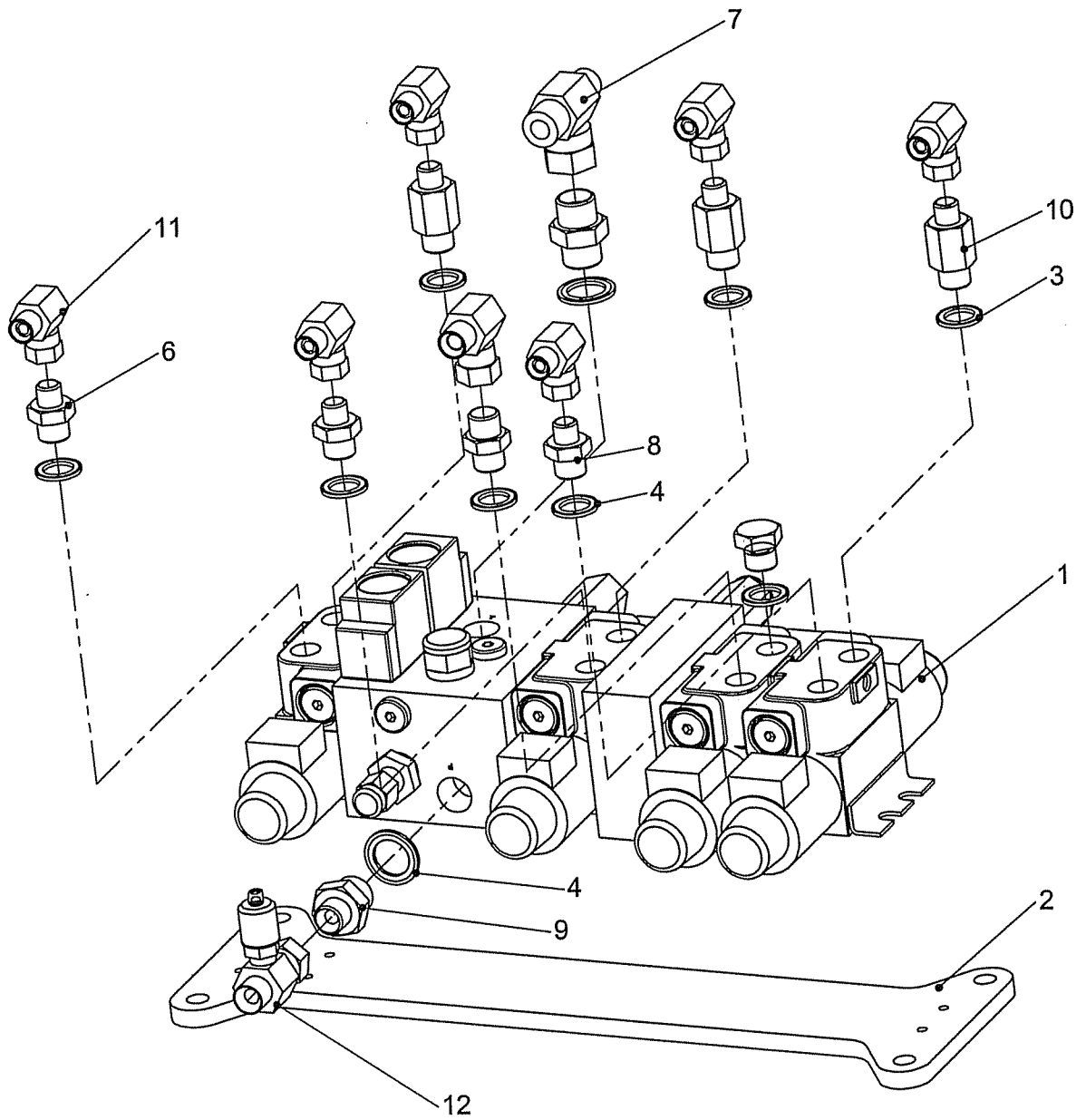
REF	PART NO.	DESCRIPTION	QTY
<b>76.427.04</b>	<b>VALVE ASSY – EPP11 - 4 SERV</b>		
01	05.282.09	SPRING WASHER 5MM PLATED	4
01*	30.073.93	SCREW M5 X 16MM 8.8 GRADE	4
01	41784.12	CONTROL VALVE – 4 PROP SERV + HF	1
02	41784.37	RELIEF VALVE CARTRIDGE 207 BAR	0
03	08.852.51	CETOP 3 VENT VALVE	0
04	08.852.55	CETOP 3 SINGLE PO CHECK VALVE	0
05	41784.31	SPOOL VALVE PROPORTIONAL	0
06	08.852.53	CETOP 3 DUAL PO CHECK VALVE	0
08	41784.43	SOLENOID POCV CARTRIDGE	0
09	41784.39	RELIEF VALVE CARTRIDGE 136 BAR	0
12	05.290.04	BONDED SEAL 3/8 BSP	7
13	01.099.01	ADAPTOR 3/8" BSP X 1/4" BSP	3
14	05.122.01	ADARTOR 1/2" BSP X 1/2" BSP	1
15	05.290.05	BONDED SEAL 1/2" BSP	2
16	07.605.01	RESTRICTOR 3/8" X 1/4" BSP	1
17	05.123.01	ADAPTOR 1/2" BSP X 3/8" BSP	1
18	07.605.01	RESTRICTOR 3/8" X 1/4" BSP	1
21	41814.08	DECAL – 4 SERVICE EPP3 (NOT ILLUSTRATED)	1
<b>76.271.08</b>	<b>TEST POINT EPP VALVES</b>		
22	05.146.12	Q/R COUPLING 1/4" BSP MALE	1
23	05.290.02	BONDED SEAL 1/4" BSP	1
24	04.056.16	ADAPTOR T FMM 3/8" X 3/8" X 1/4"	1

\*MAIN PART IN GROUP, RELATED PARTS HAVE SAME REFERENCE NUMBER



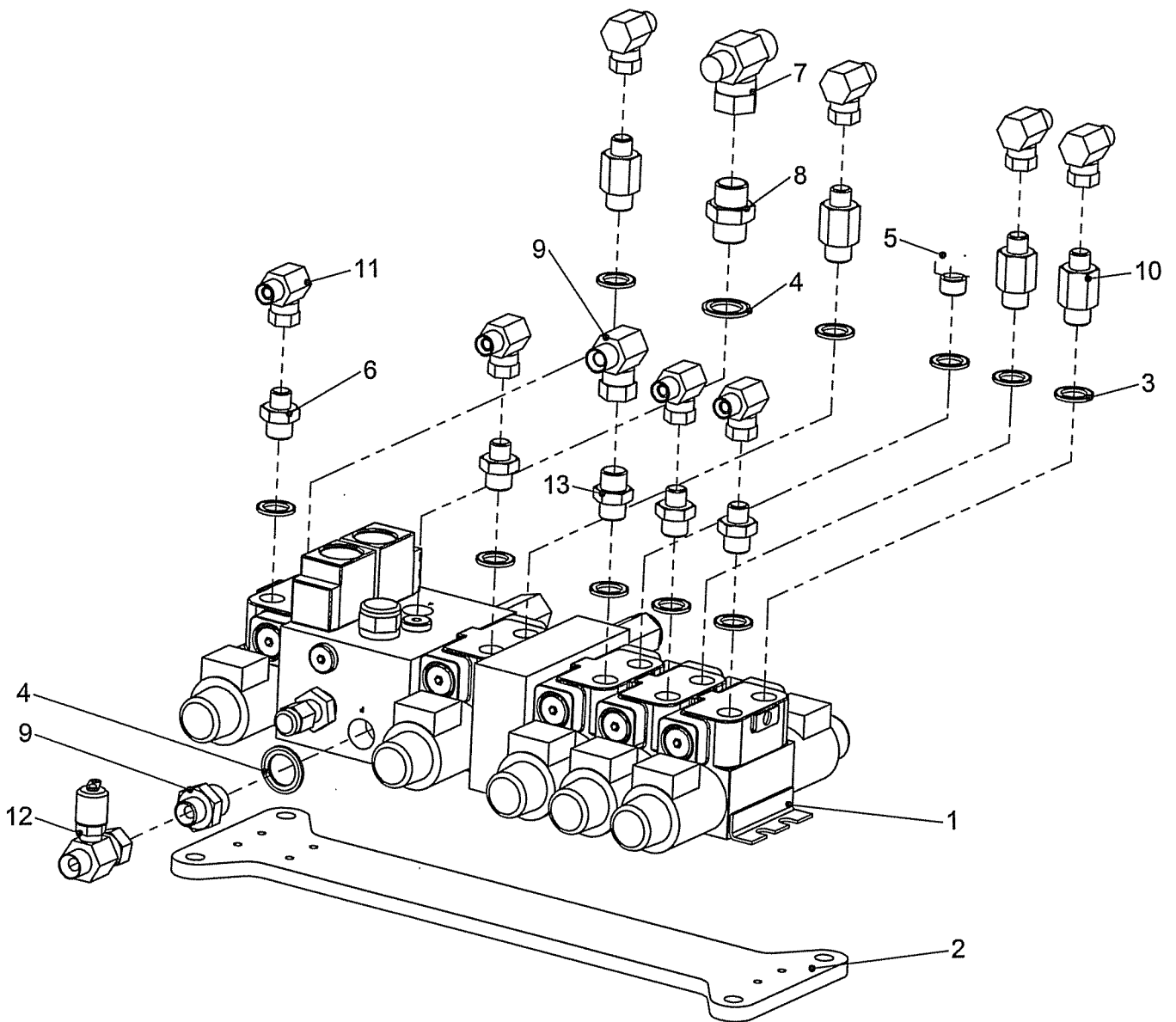
REF	PART NO.	DESCRIPTION	QTY
<b>76.427.05</b>	<b>VALVE ASSY – EPP11 - 5 SERV</b>		
01	05.282.09	SPRING WASHER 5MM PLATED	4
01*	30.073.93	SCREW M5 X 16MM 8.8 GRADE	4
01	41784.16	CONTROL VALVE – 5 PROP SERV + HF	1
02	41784.37	RELIEF VALVE CARTRIDGE 207 BAR	0
03	08.852.51	CETOP 3 VENT VALVE	0
04	08.852.55	CETOP 3 SINGLE PO CHECK VALVE	0
05	41784.31	SPOOL VALVE PROPORTIONAL	0
06	08.852.53	CETOP 3 DUAL PO CHECK VALVE	0
07	08.852.52	CETOP 3 MOTOR SPOOL VALVE	0
08	41784.38	BLANKING PLUG	0
09	41784.39	RELIEF VALVE CARTRIDGE 136 BAR	0
12	05.290.04	BONDED SEAL 3/8 BSP	9
13	01.099.01	ADAPTOR 3/8" BSP X 1/4" BSP	7
14	05.122.01	ADARTOR 1/2" BSP X 1/2" BSP	1
15	05.290.05	BONDED SEAL 1/2" BSP	2
16	07.605.01	RESTRICTOR 3/8" X 1/4" BSP	1
17	05.123.01	ADAPTOR 1/2" BSP X 3/8" BSP	1
18	07.605.01	RESTRICTOR 3/8" X 1/4" BSP	1
21	41814.10	DECAL – 5 SERVICE EPP3 (NOT ILLUSTRATED)	1
<b>76.271.09</b>	<b>TEST POINT EPP VALVES</b>		
22	05.146.12	Q/R COUPLING 1/4" BSP MALE	1
23	05.290.02	BONDED SEAL 1/4" BSP	1
24	04.056.16	ADAPTOR T FMM 3/8" X 3/8" X 1/4"	1

\*MAIN PART IN GROUP, RELATED PARTS HAVE SAME REFERENCE NUMBER



REF	PART NO.	DESCRIPTION	QTY
<b>77.261.03</b>	<b>DMV CONTROL VALVE ASSEMBLY</b>		
01*	46622.04	VALVE ASSY	1
01	05.281.10	FLAT WASHER 6MM PLATED	4
01	05.282.07	SPRING WASHER 6MM PLATED	4
01	05.839.05	SETSCREW M6 X 16MM PLATED	4
02	46625.01	PLATE - VALVE MOUNTING	1
03	05.290.04	BONDED SEAL 3/8"BSP	8
04	05.290.05	BONDED SEAL 1/2"BSP	2
05	05.433.01	PLUG 3/8"BSP PLATED	1
06	01.099.01	ADAPTOR 3/8BSP X1/4BSP	4
07	04.056.50	ADAPTOR - TEE 1/2M-3/8M-1/2F	1
08	05.122.01	ADAPTOR 1/2" BSP X 1/2" BSP	1
09	05.123.01	ADAPTOR 1/2" BSP X 3/8" BSP	1
10	05.819.02	ADAPTOR 3/8"BSP MALE TO	3
11	05.835.04	ADAPTOR - SWIVEL 90 1/4"BSP MF	7
12	8131004	MF TEST UNION 3/8" BSP	1

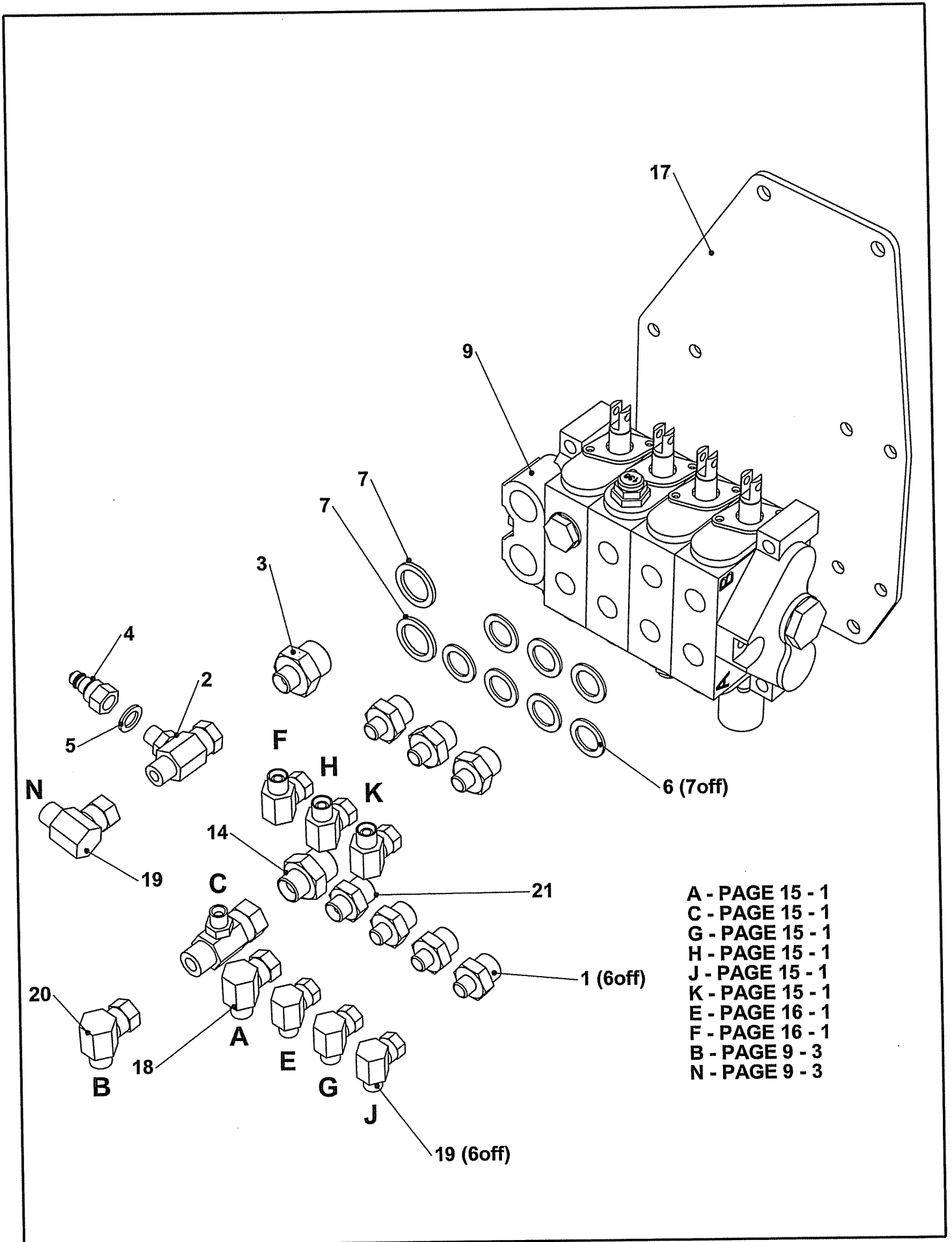
\*MAIN PART IN GROUP, RELATED PARTS HAVE SAME REFERENCE NUMBER



REF	PART NO.	DESCRIPTION	QTY
<b>77.261.04 DMV VALVE SCHEDULE</b>			
01	05.281.10	FLAT WASHER 6MM PLATED	4
01	05.282.07	SPRING WASHER 6MM PLATED	4
01	05.839.05	SETSCREW M6 X 16MM PLATED	4
01*	46622.02	VALVE ASSY 02-352784	1
02	46625.01	PLATE - VALVE MOUNTING 10MM	1
03	05.290.04	BONDED SEAL 3/8"BSP	8
04	05.290.05	BONDED SEAL 1/2"BSP	2
05	05.433.01	PLUG 3/8"BSP PLATED	1
06	01.099.01	ADAPTOR 3/8BSP X1/4BSP	4
07	04.056.50	ADAPTOR - TEE 1/2M-3/8M-1/2F	1
08	05.122.01	ADAPTOR 1/2" BSP X 1/2" BSP	1
09	05.123.01	ADAPTOR 1/2" BSP X 3/8" BSP	1
10	05.819.02	ADAPTOR 3/8"BSP MALE TO	4
11	05.835.04	ADAPTOR - SWIVEL 90 1/4"BSP MF	8
12	8131004	MF TEST UNION 3/8" BSP	1
13	05.124.01	ADAPTOR 3/8" BSP X 3/8" BSP	1
14	05.835.01	ADAPTOR-SWIVEL 90 3/8"BSP M/F	1
<b>77.261.05 DMV VALVE SCHEDULE (FWD REACH MACHINES)</b>			
01	05.281.10	FLAT WASHER 6MM PLATED	4
01	05.282.07	SPRING WASHER 6MM PLATED	4
01	05.839.05	SETSCREW M6 X 16MM PLATED	4
01*	46622.03	VALVE ASSY 02-352783	1
02	46625.01	PLATE - VALVE MOUNTING 10MM	1
03	05.290.04	BONDED SEAL 3/8"BSP	8
04	05.290.05	BONDED SEAL 1/2"BSP	2
05	05.433.01	PLUG 3/8"BSP PLATED	1
06	01.099.01	ADAPTOR 3/8BSP X1/4BSP	4
07	04.056.50	ADAPTOR - TEE 1/2M-3/8M-1/2F	1
08	05.122.01	ADAPTOR 1/2" BSP X 1/2" BSP	1
09	05.123.01	ADAPTOR 1/2" BSP X 3/8" BSP	1
10	05.819.02	ADAPTOR 3/8"BSP MALE	4
11	05.835.04	ADAPTOR - SWIVEL 90 1/4"BSP MF	8
12	8131004	MF TEST UNION 3/8" BSP	1
13	05.124.01	ADAPTOR 3/8" BSP X 3/8" BSP	1
14	05.835.01	ADAPTOR-SWIVEL 90 3/8"BSP M/F	1

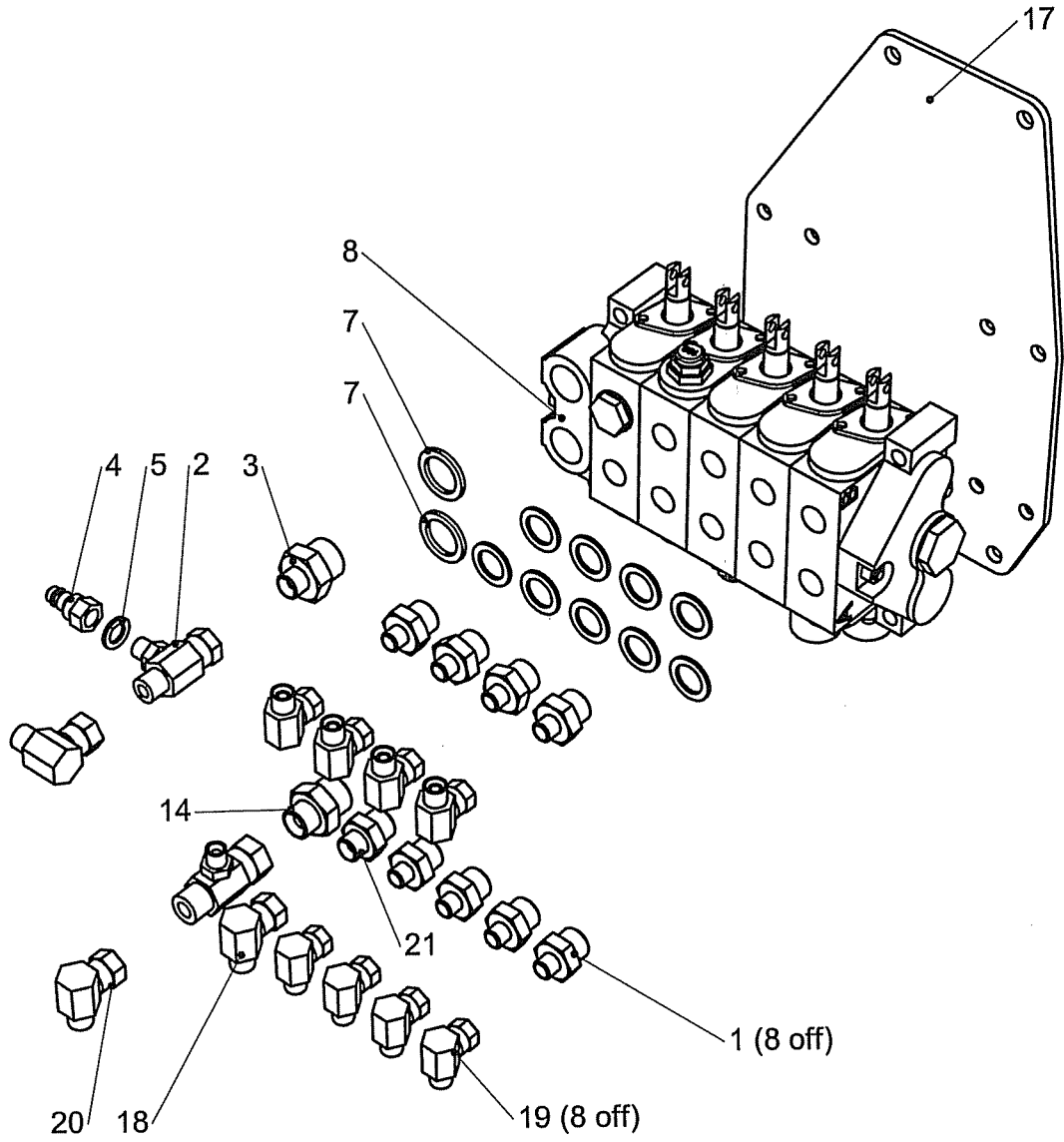
\*MAIN PART IN GROUP, RELATED PARTS HAVE SAME REFERENCE NUMBER





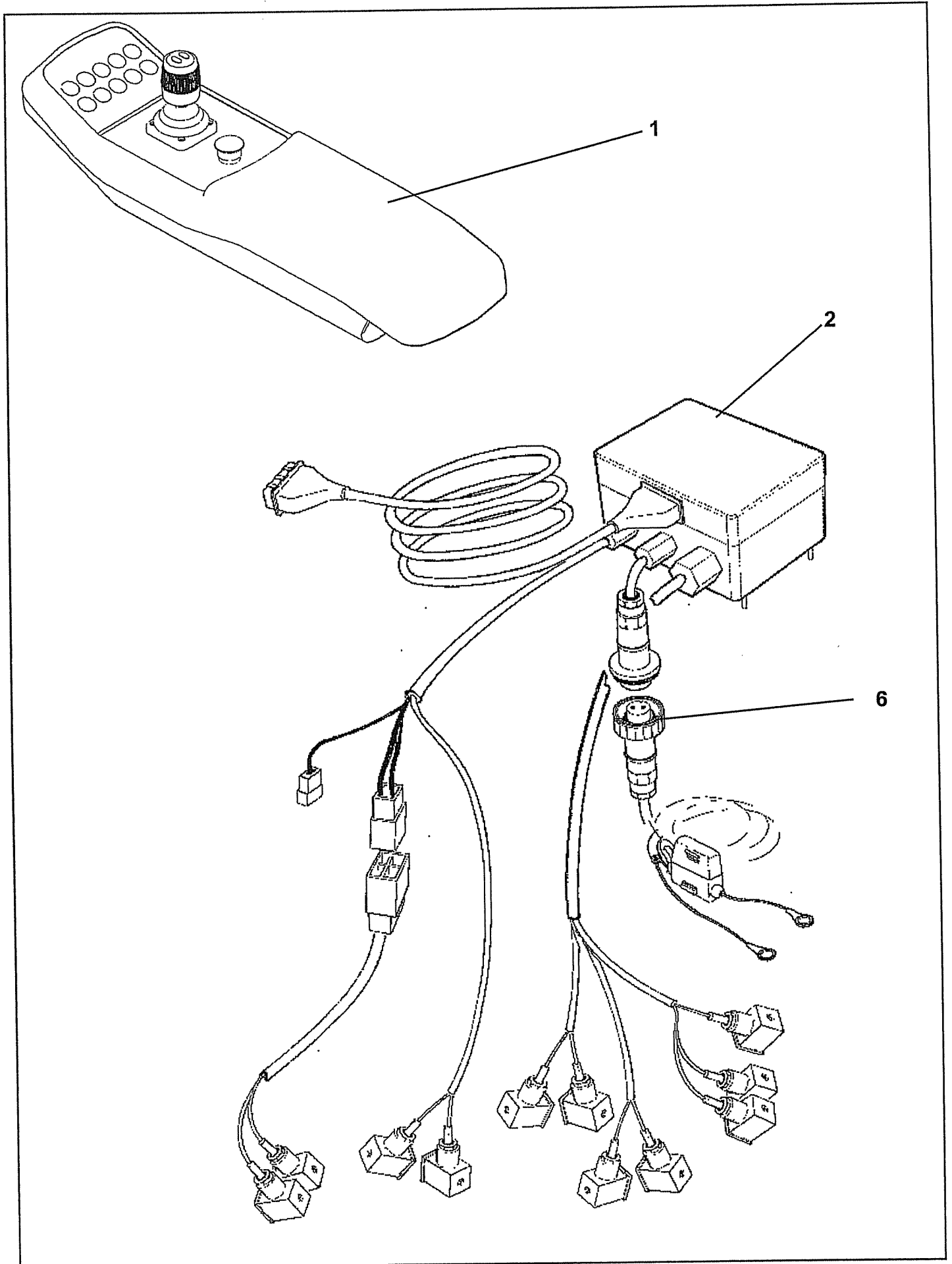
REF	PART NO.	DESCRIPTION	QTY
<b>77.133.01 CONTROL VALVE ASSY CABLE 4 SERVICE</b>			
01	01.099.03	ADAPTOR 1/2BSP X 1/4BSP	6
02	04.056.16	ADAPTOR F/M/M 3/8X3/8X1/4 BSP	1
03	05.128.01	ADAPTOR 3/4" BSP X 3/8" BSP	1
04	05.146.12	Q/R COUPLING 1/4" BSP MALE	1
05	05.290.02	BONDED SEAL 1/4"BSP	1
06	05.290.05	BONDED SEAL 1/2"BSP	7
07	05.290.06	BONDED SEAL 3/4"BSP	2
08	05.264.23	SETSCREW M12 X 30MM PLATED (NOT ILLUSTRATED)	2
08	05.282.03	SPRING WASHER 12MM PLATED (NOT ILLUSTRATED)	2
08	05.286.03	NUT M12 PLATED* (NOT ILLUSTRATED)	2
09	0342061	SKT CAPSCREW 1/4"UNCx3/4" BZP	8
09	05.282.02	SPRING WASHER 10MM PLATED	3
09	05.286.02	NUT M10 PLATED	3
09	05.291.18	BOLT M10 X 65 PLATED	3
09*	41335.02	VALVE ASSY-4 SPOOL	1
14	05.376.01	ADAPTOR 3/4"BSP X 1/2"BSP	1
17	46094.01	PLATE - VALVE MOUNTING	1
18	05.835.01	ADAPTOR-SWIVEL 90 3/8"BSP M/F	1
19	05.835.04	ADAPTOR - SWIVEL 90 1/4"BSP MF	7
20	05.835.05	ADAPTOR-SWIVEL 90 1/2"BSP M/F	1
21	05.123.01	ADAPTOR 1/2" BSP X 3/8" BSP	1

\*MAIN PART IN GROUP, RELATED PARTS HAVE SAME REFERENCE NUMBER



REF	PART NO.	DESCRIPTION	QTY
<b>77.133.03 CONTROL VALVE ASSY CABLE 5 SERV</b>			
01	01.099.03	ADAPTOR 1/2BSP X 1/4BSP	6
02	04.056.16	ADAPTOR F/M/M 3/8X3/8X1/4 BSP	1
03	05.128.01	ADAPTOR 3/4" BSP X 3/8" BSP	1
04	05.146.12	Q/R COUPLING 1/4" BSP MALE	1
05	05.290.02	BONDED SEAL 1/4"BSP	1
06	05.290.05	BONDED SEAL 1/2"BSP	9
07	05.290.06	BONDED SEAL 3/4"BSP	2
08	05.264.23	SETSCREW M12 X 30MM PLATED (NOT ILLUSTRATED)	2
08	05.282.03	SPRING WASHER 12MM PLATED (NOT ILLUSTRATED)	2
08	05.286.03	NUT M12 PLATED* (NOT ILLUSTRATED)	2
09	0342061	SKT CAPSCREW 1/4"UNCx3/4" BZP	10
09	05.282.02	SPRING WASHER 10MM PLATED	3
09	05.286.02	NUT M10 PLATED	3
09	05.291.18	BOLT M10 X 65 PLATED	3
09*	41335.17	VALVE ASSY-5 SPOOL	1
14	05.376.01	ADAPTOR 3/4"BSP X 1/2"BSP	1
17	46094.01	PLATE - VALVE MOUNTING	1
18	05.835.01	ADAPTOR-SWIVEL 90 3/8"BSP M/F	1
19	05.835.04	ADAPTOR - SWIVEL 90 1/4"BSP MF	9
20	05.835.05	ADAPTOR-SWIVEL 90 1/2"BSP M/F	1
21	05.123.01	ADAPTOR 1/2" BSP X 3/8" BSP	1

\*MAIN PART IN GROUP, RELATED PARTS HAVE SAME REFERENCE NUMBER

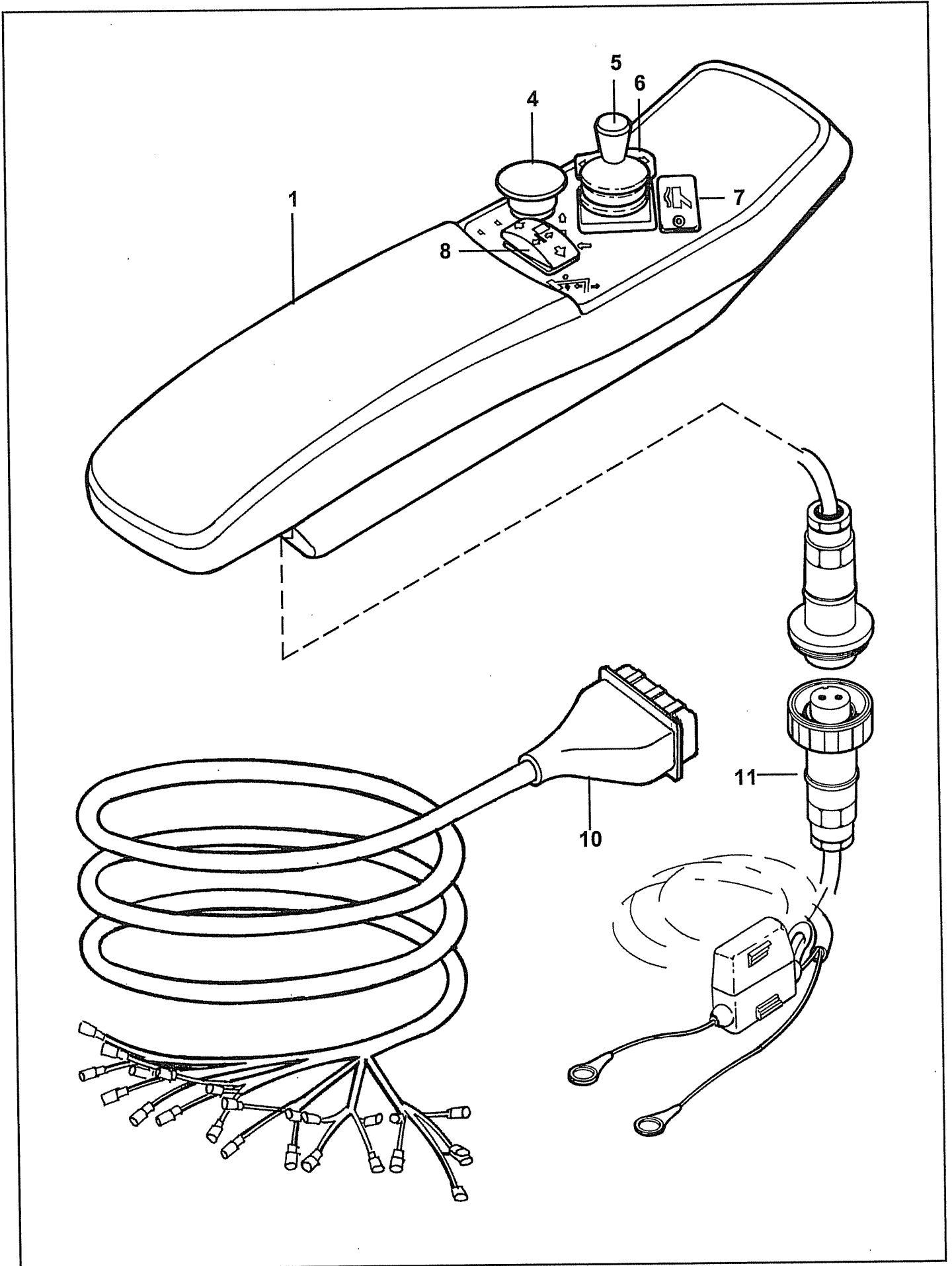


REF	PART NO.	DESCRIPTION	QTY
<b>77.142.01 RCA ASSY – DCU 4SV+M</b>			
01	45710.02	CONTROL BOX DCU	1
02	45715.02	ECU BOX ASSY – 4SV+M EPP3	1
03	45711.01	LOOM – EPP3 CONTROL BOX	0
04	45712.02	ECU BOX – 4SV+M EPP3	0
05	45713.02	LOOM – ECU 4SV EPP3	0
06	08.987.01	CABLE ASSY – 2 CORE X 5.5M HVY	1
06	43034.01	BLADE FUSE 15 AMP	0
07	07.835.02	GASKET FOR HIRSCHMAN CONNECTOR	13
08	07.835.03	SCREW FOR HIRSCHMANN CONNECTOR	13
10	45714.01	LOOM – MOTOR CONTROL	0
11	03.100.01	STUD M10 X 34MM	2
11	05.282.02	SPRING WASHER 10MM PLATED	2
11	05.286.02	NUT M10 PLATED	2
11*	46137.01	BRACKET DCU (NOT ILLUSTRATED)	1

**77.142.02 RCA ASSY – DCU 5SV+M**

01	45710.02	CONTROL BOX DCU	1
02	45715.03	ECU BOX ASSY – 5SV+M EPP3	1
03	45711.01	LOOM – EPP3 CONTROL BOX	0
04	45712.03	ECU BOX – 5SV+M EPP3	0
05	45713.03	LOOM – ECU 5SV EPP3	0
06	08.987.01	CABLE ASSY – 2 CORE X 5.5M HVY	1
06	43034.01	BLADE FUSE 15 AMP	0
10	45714.01	LOOM – MOTOR CONTROL	0
11	03.100.01	STUD M10 X 34MM	2
11	05.282.02	SPRING WASHER 10MM PLATED	2
11	05.286.02	NUT M10 PLATED	2
11*	46137.01	BRACKET DCU (NOT ILLUSTRATED)	1

**NOTE – FOR MACHINES WITH DMV TYPE VALVES ITEM 01 PART NO. 45710.02 IS REPLACED BY PART NO. 45710.04**

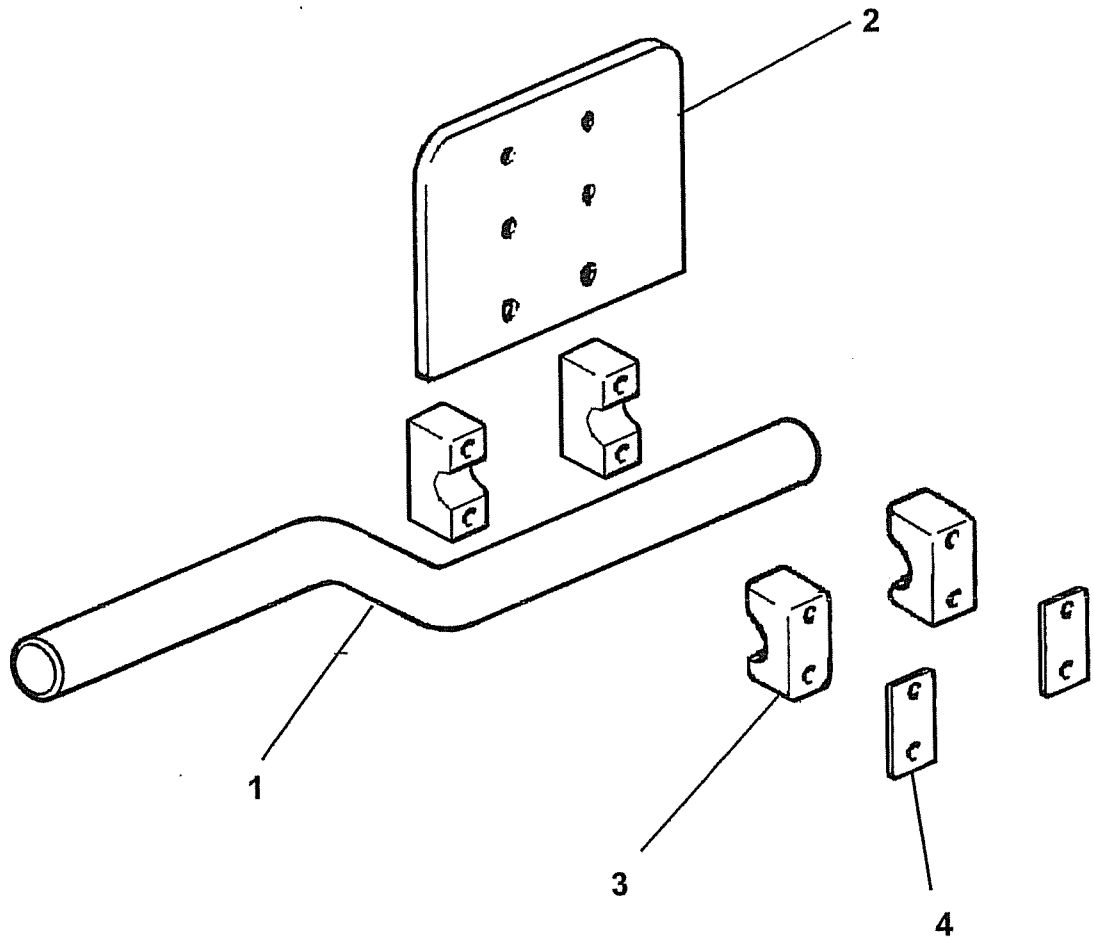


REF	PART NO.	DESCRIPTION	QTY
76.426.07 EPPII 4SV +HF RCA ASY LH			
01	42226.13	CONTROL BOX 4 SERVICE LH	1
02	42226.96	DECAL SET EPPII LH	0
03	42226.94	MAIN PCB ASSY EPPII	0
04	41786.33	STOP SWITCH	0
05	41786.34	JOYSTICK ASSY	0
06	41786.35	SWITCH ASSY COWL	0
07	41786.38	SWITCH ASSY HEAD FLOAT	0
08	41786.36	SWITCH ASSY SLEW	0
10	42197.12	WIRE LOOM	1
11	08.987.01	CABLE ASSY - 2 CORE X 5.5M HVY	1

## 76.426.37 EPPII RCA ASSY RH 7435

01	42226.38	EPPII CONTROL BOX BASIC BUILD	1
02	08.987.01	CABLE ASSY - 2 CORE X 5.6 MHVY	1
02	43034.01	BLADE FUSE 15 AMP	0
05	41814.07	WIRING LOOM- EPPII B80M 3M	1
06	05.281.10	FLAT WASHER 6MM PLATED*	1
06	05.282.07	SPRING WASHER 6MM PLATED*	2
06	05.286.10	NUT M6 PLATED*	2
06	43146.01	SLEW CONTROLLER	2
10	05.264.66	SETSCREW M6 X 40MM PLATED	1
10	05.281.10	FLAT WASHER 6MM PLATED	1
10	05.282.07	SPRING WASHER 6MM PLATED	1
10	43129.01	CABLE CLAMP	1
11	05.281.10	FLAT WASHER 6MM PLATED*	1
11	05.282.07	SPRING WASHER 6MM PLATED*	1
11	05.839.04	SETSCREW M6 X 30MM PLATED	1
11	07.835.02	GASKET FOR HIRSCHMAN CONNECTOR	18
12	07.835.03	SCREW FOR HIRSCHMAN CONNECTOR	18





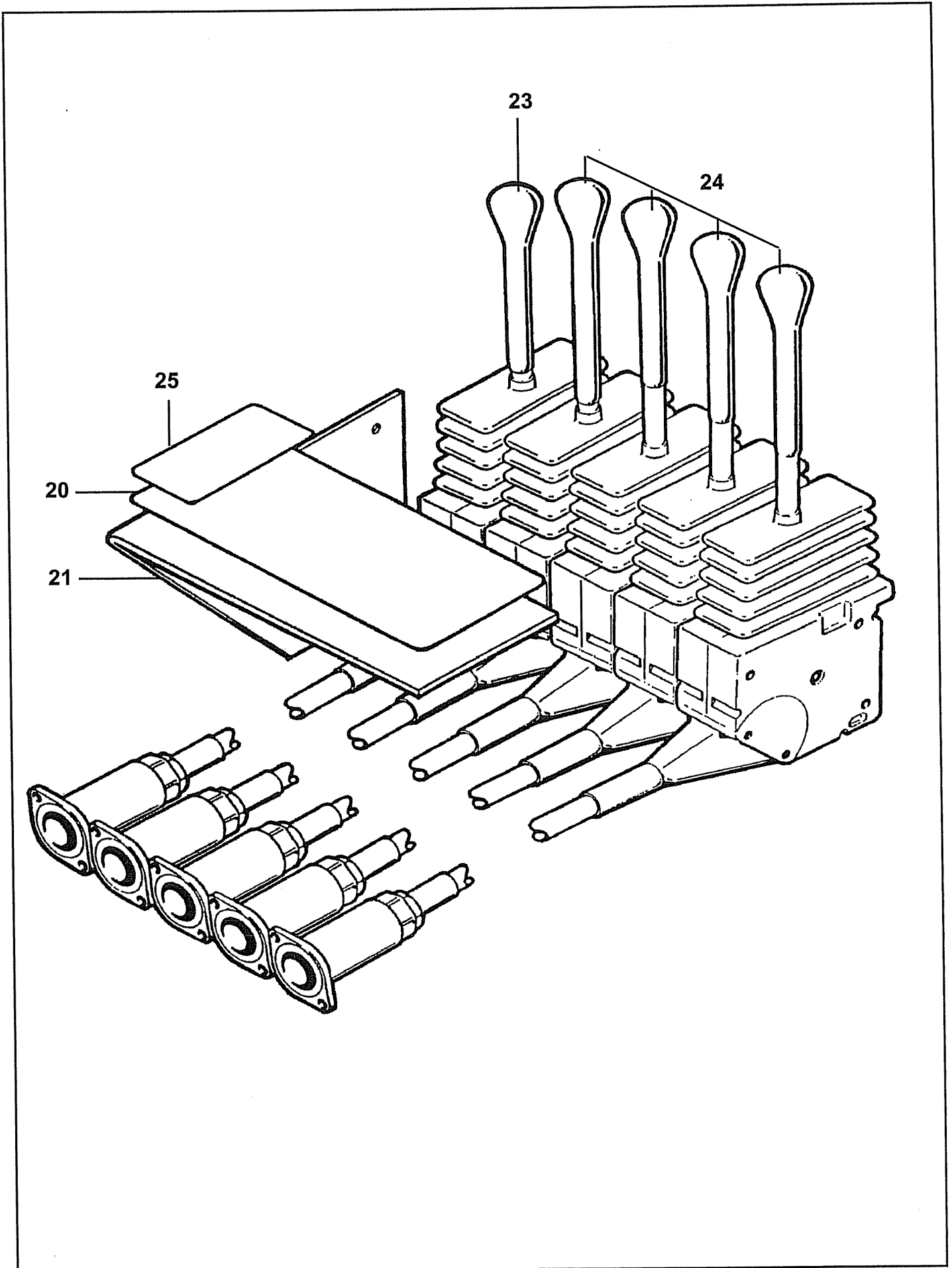
1866

## REMOTE CONTROL – CAB MOUNTING

0802

REF	PART NO.	DESCRIPTION	QTY
<b>76.426.25 EPPIIM RCA CAB SIDE MNT</b>			
01	42312.02	BRACKET - MOUNTING	1
02	05.264.02	SETSCREW M8 X 25MM PLATED	2
02	05.281.01	FLAT WASHER 8MM PLATED	2
02	05.282.01	SPRING WASHER 8MM PLATED	2
02	05.948.07	WING NUT M8 - PLATED	2
02*	08.317.01	PLATE - CONTROL BOX	1
03	30.068.90	BOLT M6 X 55 MM 8.8 GRADE Z/P.	4
03	30.070.64	NUT NYLOC M6.Z/P.	4
03*	30.209.71	CLAMP SINGLE 1"	4
04	30.209.73	COVER PLATE	2
10	06.729.02	PLUG - PLASTIC 1"X10-12SWG	2

\*MAIN PART IN GROUP, RELATED PARTS HAVE SAME REFERENCE NUMBER

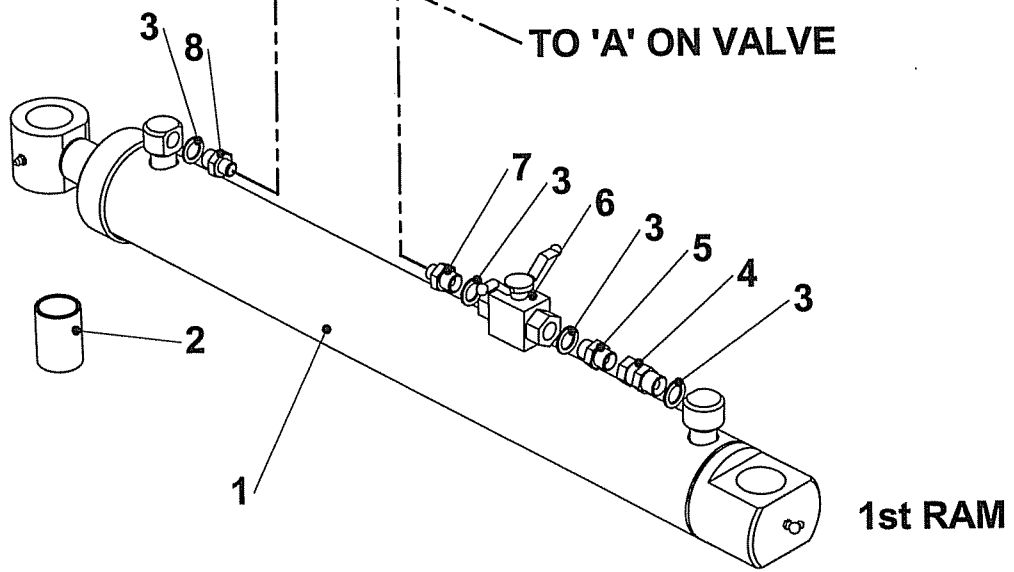


REF	PART NO.	DESCRIPTION	QTY
<b>77.135.01 REMOTE CTRL CABLE LH 8852</b>			
20	09.916.01	DECAL - LEVER OP. 5 LEVER LH	1
21	05.839.03	SETSCREW M8 X 16MM PLATED	2
21	05.948.07	WING NUT M8 - PLATED	2
21	09.969.01	BRACKET-5 LEVER MOUNTING LH	1
23	04.282.71	STUD - M6 X 233 PLATED	3
23	05.281.10	FLAT WASHER 6MM PLATED	3
23	05.282.07	SPRING WASHER 6MM PLATED	3
23	05.286.10	NUT M6 PLATED	6
23	09.968.10	CABLE ASSY TMC - 4.0M RED SHRT	1
24	09.968.12	CABLE ASSY TMC 3.0M BLK LF	4
<b>77.135.03 REMOTE CTRL CABLE DSR RH 8852</b>			
20	09.916.02	DECAL - LEVER OP. 5 LEVER RH	1
21	04.282.71	STUD - M6 X 233 PLATED	3
21	05.839.03	SETSCREW M8 X 16MM PLATED	2
21	05.948.07	WING NUT M8 - PLATED	2
21	09.969.02	BRACKET-5 LEVER MOUNTING RH	1
23	09.968.16	CABLE ASSY TMC 4.0M RED SHRT	1
23	05.281.10	FLAT WASHER 6MM PLATED	3
23	05.282.07	SPRING WASHER 6MM PLATED	3
23	05.286.10	NUT M6 PLATED	6
24	09.968.12	CABLE ASSY TMC 3.0M BLK LF	4
25	41.083.01	DECAL - ROTOR REVERSING	1
<b>77.135.04 RCA CABLE DSR RH DCU 8852</b>			
23	05.282.07	SPRING WASHER 6MM PLATED	2
23	05.286.10	NUT M6 PLATED	2
23	09.968.16	CABLE ASSY TMC 4.0M RED SHRT	1
25	41.083.01	DECAL - ROTOR REVERSING	1
26	30.068.90	BOLT M6 X 55 MM 8.8 GRADE Z/P.	2
<b>77.135.05 REMOTE CTRL CABLE LH 8997</b>			
20	09.916.05	DECAL - LEVER OP. 6 LEVER LH	1
21	05.839.03	SETSCREW M8 X 16MM PLATED*	2
21	05.948.07	WING NUT M8 - PLATED	2
21	09.991.01	LEVER/DECAL MOUNTING LH 6 LVR	1
23	04.282.72	STUD - M6 X 275	3
23	05.281.10	FLAT WASHER 6MM PLATED*	3
23	05.282.07	SPRING WASHER 6MM PLATED*	3
23	05.286.10	NUT M6 PLATED*	6
23	09.968.10	CABLE ASSY TMC - 4.0M RED SHRT	1
24	09.968.12	CABLE ASSY TMC 3.0M BLK LF	5
<b>77.135.06 REMOTE CTRL CABLE RH</b>			
	04.282.72	STUD - M6 X 275	3
	05.281.10	FLAT WASHER 6MM PLATED*	3
	05.282.07	SPRING WASHER 6MM PLATED*	3
	05.282.10	SPRING WASHER 18MM PLATED	6
	05.839.03	SETSCREW M8 X 16MM PLATED*	2
	05.948.07	WING NUT M8 - PLATED	2
	09.916.06	DECAL - LEVER OP. 6 LEVER RH	1
	09.968.10	CABLE ASSY TMC - 4.0M RED SHRT	1
	09.968.12	CABLE ASSY TMC 3.0M BLK LF	5
	09.991.02	LEVER/DECAL MONTING RH 6 LVR	1

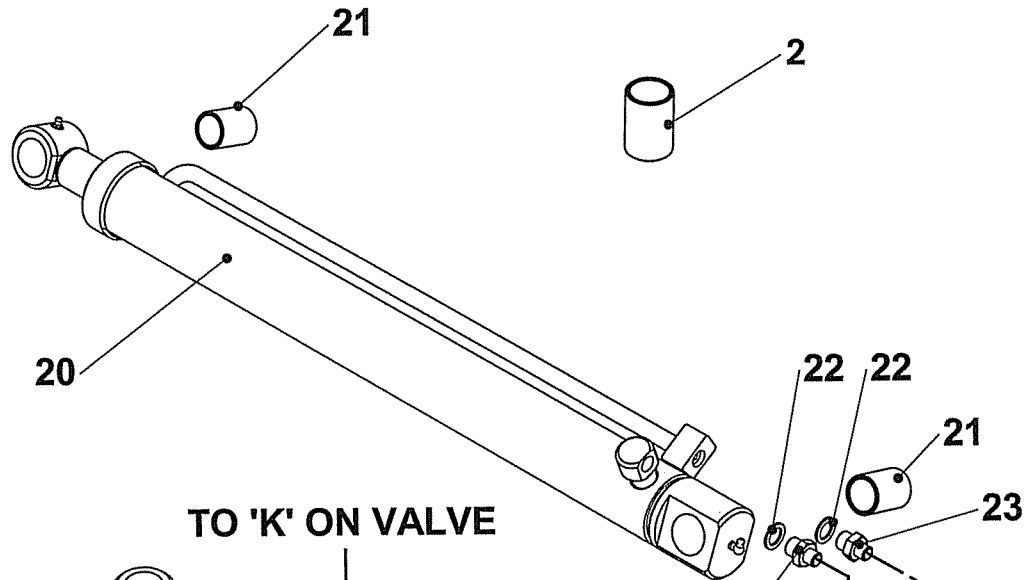
\*MAIN PART IN GROUP, RELATED PARTS HAVE SAME REFERENCE NUMBER

TO 'C' ON VALVE

TO 'A' ON VALVE



2nd RAM



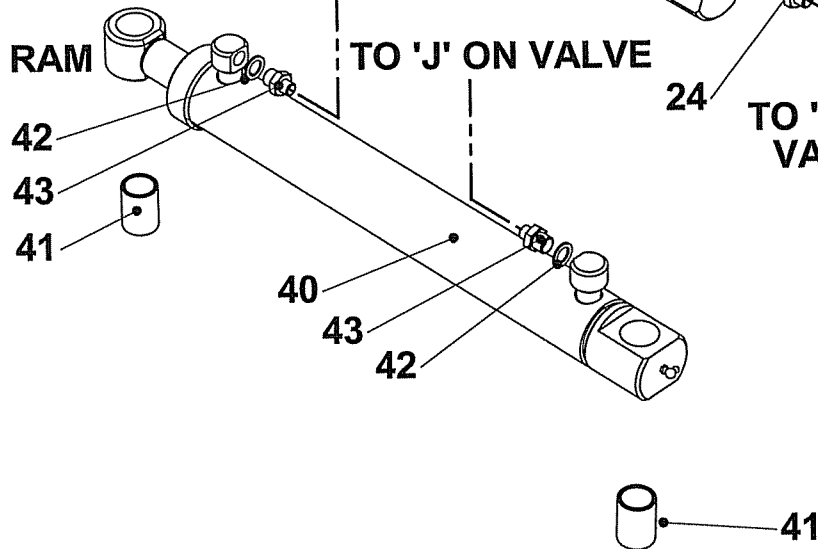
COWL RAM

TO 'K' ON VALVE

TO 'J' ON VALVE

TO 'H' ON VALVE

TO 'G' ON VALVE

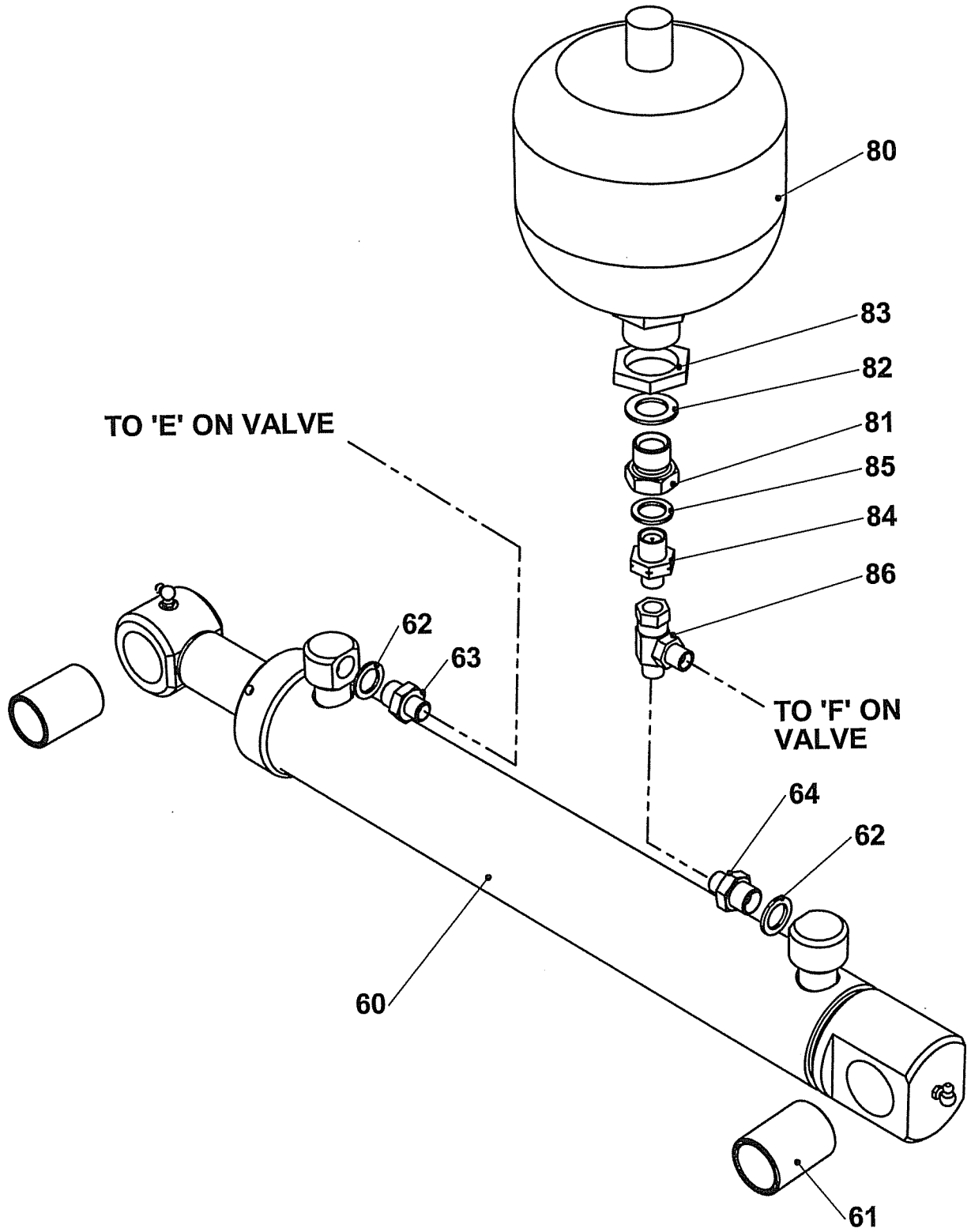


REF	PART NO.	DESCRIPTION	QTY
<b>77.104.01/02 RAM ASSY - FIRST</b>			
01	05.953.01	GREASE NIPPLE M6	1
01	05.953.05	GREASE NIPPLE M6 X 90DEG	1
01*	46002.01	RAM ASSY D/A 80 BORE X 615 STK	1
02	08.297.08	PLASTIC BUSH - 42 X 35 - 60	2
03	05.290.04	BONDED SEAL 3/8"BSP	4
04	02.714.01	ADAPTOR-SWIVEL ST 3/8BSP M/F	1
05	05.124.01	ADAPTOR 3/8" BSP X 3/8" BSP	1
06	08.200.01	VALVE - ISOLATING 3/8" BSP	1
07	01.099.01 ▲	ADAPTOR 3/8BSP X1/4BSP	1
07	03.028.08 ■	RESTRICTOR 3/8BSP X1/4BSP	1
08	01.099.01	ADAPTOR 3/8BSP X1/4BSP	1
<b>77.114.01 RAM ASSY - SECOND</b>			
20	05.953.01	GREASE NIPPLE M6	1
20	05.953.05	GREASE NIPPLE M6 X 90DEG	1
20*	45990.02	RAM ASSY D/A 60 BORE X 605 STK	1
21	08.297.14	PLASTIC BUSH37 X 30 - 50	2
22	05.290.04	BONDED SEAL 3/8"BSP	2
23	01.099.01	ADAPTOR 3/8BSP X1/4BSP	1
24	01.099.01 ▲	ADAPTOR 3/8BSP X1/4BSP	1
24	03.028.12 ■	RESTRICTOR 3/8BSP X1/4BSP	1
<b>77.113.01 RAM ASSY - COWL</b>			
40	05.953.01	GREASE NIPPLE M6	1
40	05.953.05	GREASE NIPPLE M6 X 90DEG	1
40*	45990.01	RAM ASSY D/A 60 BORE X 430 STK	1
41	08.297.14	PLASTIC BUSH37 X 30 - 50	2
42	05.290.04	BONDED SEAL 3/8"BSP	2
43	01.099.01 ▲	ADAPTOR 3/8BSP X1/4BSP	2
43	03.028.08 ■	RESTRICTOR 3/8BSP X 1/4BSP 1.27	2

▲ ELECTRIC MACHINES

■ CABLE MACHINES

\*MAIN PART IN GROUP, RELATED PARTS HAVE SAME REFERENCE NUMBER



**1866** **SLEW RAM & ACCUMULATOR** **0802**

**REF** **PART NO.** **DESCRIPTION** **QTY**

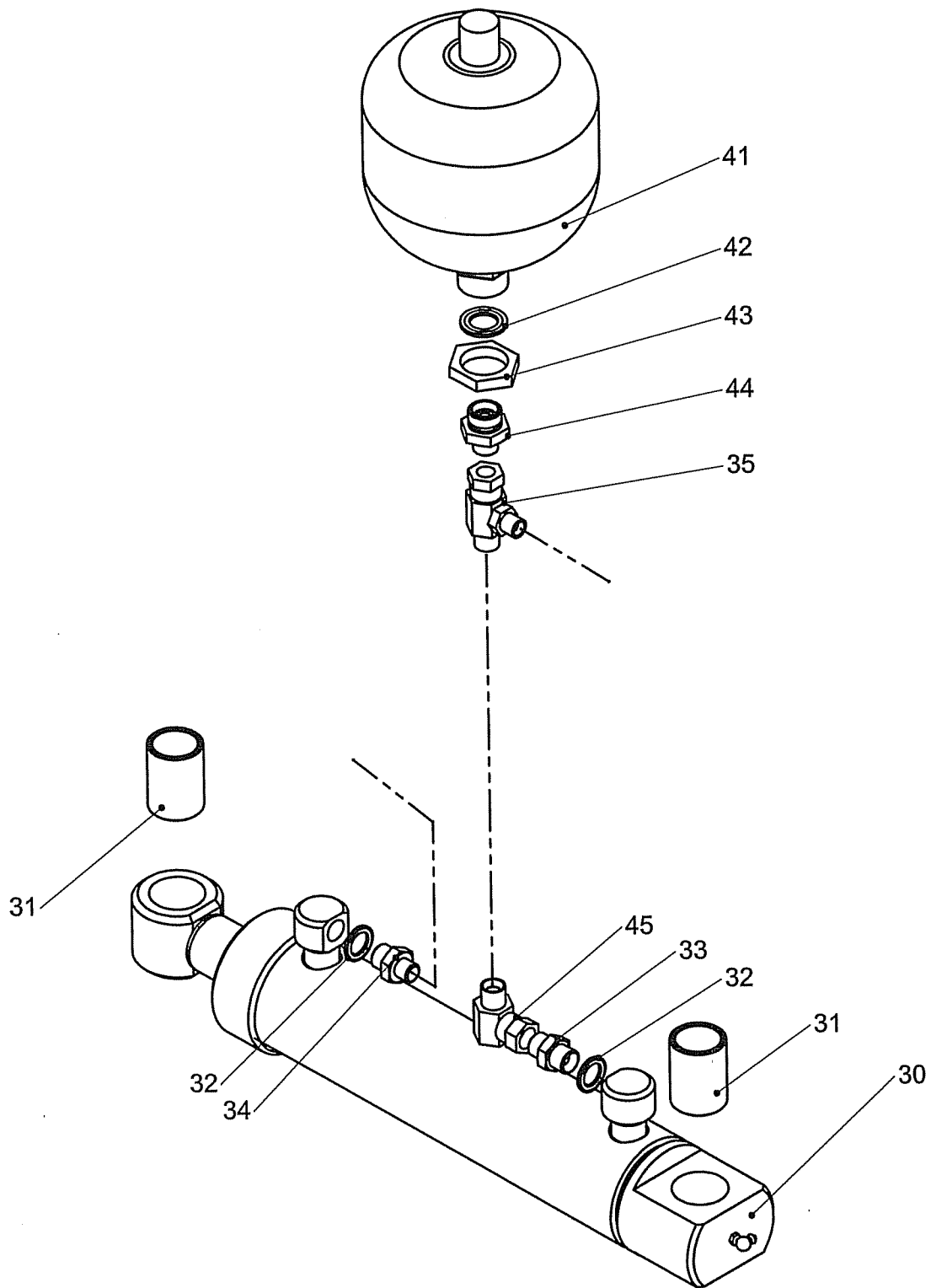
**77.111.02 RAM ASSY - SLEW**

60	05.953.01	GREASE NIPPLE M6	1
60	05.953.05	GREASE NIPPLE M6 X 90DEG	1
60	45942.01	RAM ASSY D/A 60 BORE X 340 STK	1
61	08.297.14	PLASTIC BUSH37 X 30 - 50	2
62	05.290.04	BONDED SEAL 3/8"BSP	2
63	03.028.14	RESTRICTOR 3/8BSP X1/4BSP	1
64	03.028.08	RESTRICTOR 3/8BSP X1/4BSP	1

**77.117.01 ACCUMULATOR - SLEW ASSY**

80	8126043	ACCUMULATOR 1.4LT - 90 BAR	1
81	8126035	M33 BULKHEAD NUT 'THIN'	1
82	8650322	M22 BONDED SEAL	1
83	8581284	ADAPTOR M22 X 3/8"BSP MF	1
84	03.028.08	RESTRICTOR 3/8" X 1/4"BSP 1.27	1
85	05.290.04	BONDED SEAL 3/8"BSP	1
86	04.056.10	ADAPTOR - TEE 1/4"BSP F/M/M	1





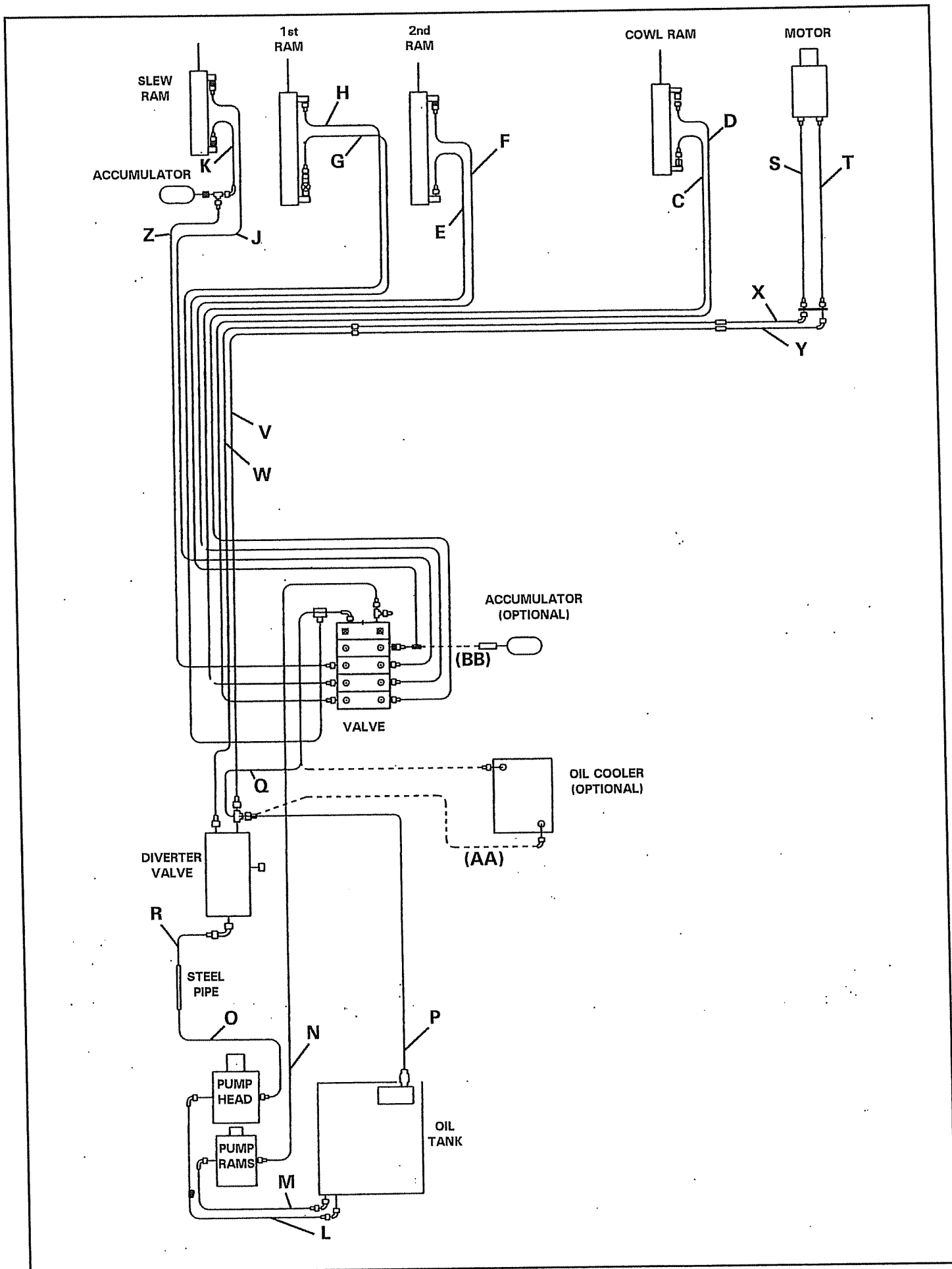
1866

## BREAKOUT RAM ASSEMBLY

0802

REF	PART NO.	DESCRIPTION	QTY
<b>77.170.01 RAM ASSY - BREAKOUT 8976</b>			
30	05.953.01	GREASE NIPPLE M6*	2
30*	46177.01	RAM ASSY 70 BORE X 240 STROKE	1
31	08.297.14	PLASTIC BUSH37 X 30 - 50	2
32	05.290.04	BONDED SEAL 3/8"BSP *	2
33	05.124.01	ADAPTOR 3/8" BSP X 3/8" BSP	1
34	01.099.01	ADAPTOR 3/8BSP X1/4BSP	1
35	04.056.16	ADAPTOR F/M/M 3/8X3/8X1/4 BSP	1
41	8126044	1L ACCUMULATOR - 25B P/CHARGE	1
42	8650322	M22 BONDED SEAL *	1
43	8126035	M33 BULKHEAD NUT 'THIN'	1
44	G2410380	3/8" BSP X M22 M-M ADAPTOR	1
45	05.835.01	ADAPTOR-SWIVEL 90 3/8"BSP M/F	1

\*MAIN PART IN GROUP, RELATED PARTS HAVE SAME REFERENCE NUMBER



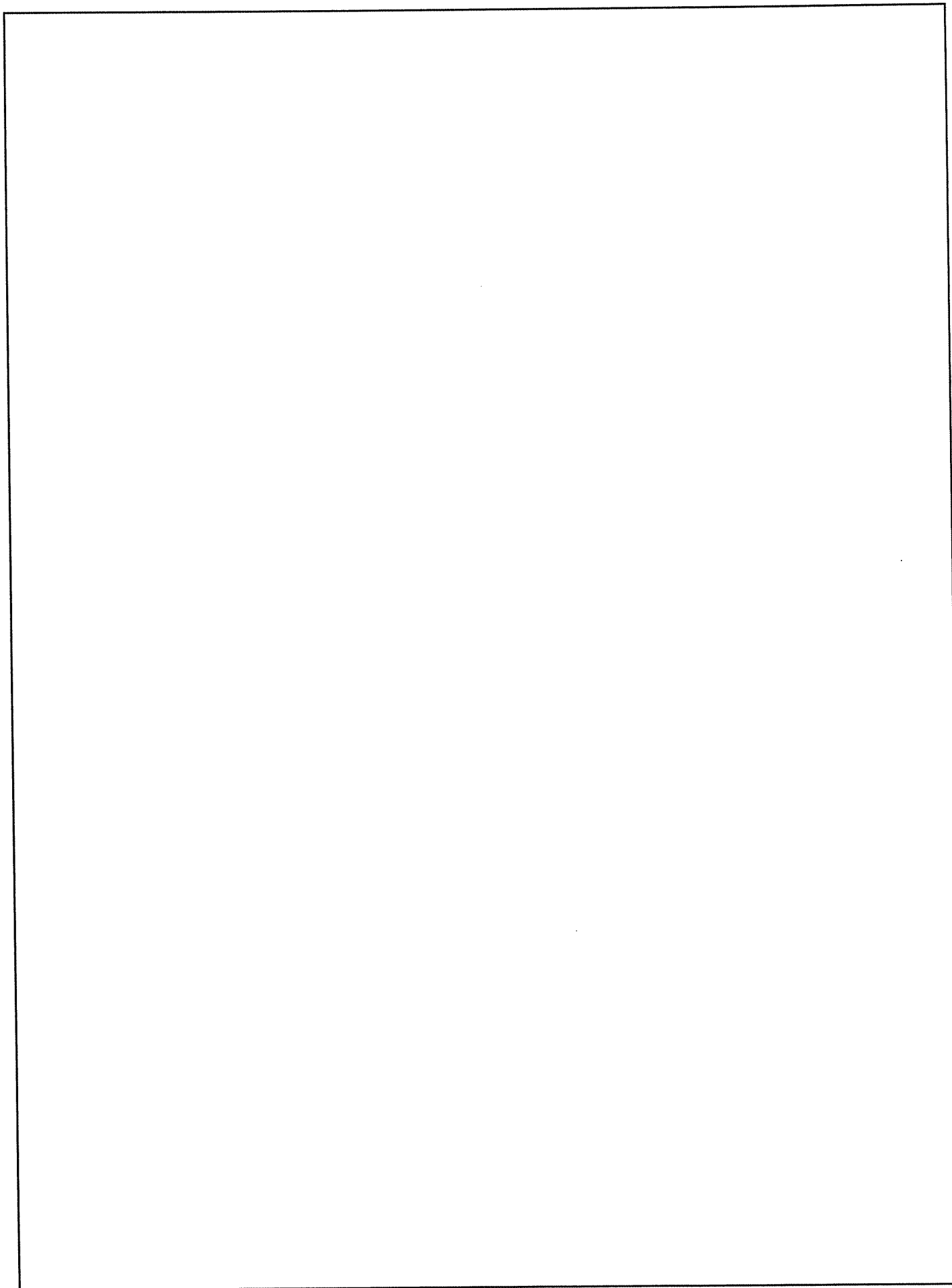
Item	Part No.	Description	Qty.
	46140.16	HOSE KIT FOR 90.200.01 & 02 (LH)	
	46140.15	HOSE KIT FOR 90.205.01 & 02 (LH)	
A	10.012.47 ▲	HOSE 1"BSP ST/90 X 3700 H.P.	1
A	10.012.53 *	HOSE 1"BSP ST/90 X 4300 H.P.	1
B	10.012.47 ▲	HOSE 1"BSP ST/90 X 3700 H.P.	1
B	10.012.53 *	HOSE 1"BSP ST/90 X 4300 H.P.	1
C	10.001.72 ▲	HOSE 1/4"BSP ST/ST X 6200	1
C	10.001.78 *	HOSE 1/4"BSP ST/ST	1
D	10.001.72 ▲	HOSE 1/4"BSP ST/ST X 6200	1
D	10.001.78 *	HOSE 1/4"BSP ST/ST	1
E	10.001.42 ▲	HOSE 1/4"BSP STXST S.SEAL 3200	1
E	10.001.45 *	HOSE 1/4"BSP STXST S.SEAL 3500	1
F	10.001.42 ▲	HOSE 1/4"BSP STXST S.SEAL 3200	1
F	10.001.45 *	HOSE 1/4"BSP STXST S.SEAL 3500	1
G	10.001.52	HOSE 3/8"BSP STXST S.SEAL 4200	1
H	10.001.52	HOSE 3/8"BSP STXST S.SEAL 4200	1
J	10.001.24	HOSE 1/4"BSP STXST S.SEAL 1400	1
K	10.002.10	HOSE 1/4"BSP STX90 S.SEAL 500	1
L	10.024.04	HOSE 1.5"BSP STX90 FLANGE 600	1
M	10.012.10	HOSE 1"BSP STX90 S.SEAL 500	1
N	10.004.25	HOSE 3/8"BSP STX90 SS EAL 1500	1
O	10.022.47	HOSE 1"BSP 90/ST FLANGE 350	1
P	10.012.11	HOSE 1"BSP STX90 S.SEAL 550	1
Q	10.006.21	HOSE 1/2"BSP STX90 S.SEAL 1100	1
R	10.012.17	HOSE 1"BSP STX90 S.SEAL 850	1
S	10.011.26 ♣	HOSE 1"BSP STXST S SEAL 1600	1
S	10.011.22 ♦	HOSE 1"BSP STXST S.SEAL 1200	1
T	10.011.26 ♣	HOSE 1"BSP STXST S SEAL.1600	1
T	10.011.22 ♦	HOSE 1"BSP STXST S.SEAL 1200	1
V	10.011.27	HOSE 1"BSP STXST S.SEAL 1700	1
W	10.011.27	HOSE 1"BSP STXST S.SEAL 1700	1
X	10.025.21	HOSE 1" BSP ST X 135 S SEAL 1100	1
Y	10.025.22	HOSE 1" BSP ST X 135 S SEAL 1200	1
Z	10.001.24	HOSE 1/4"BSP STXST S.SEAL 1400	1

▲ FALCON 5

\* FALCON 5.5

♣ L.H. MACHINES

♦ R.H. MACHINES



1866

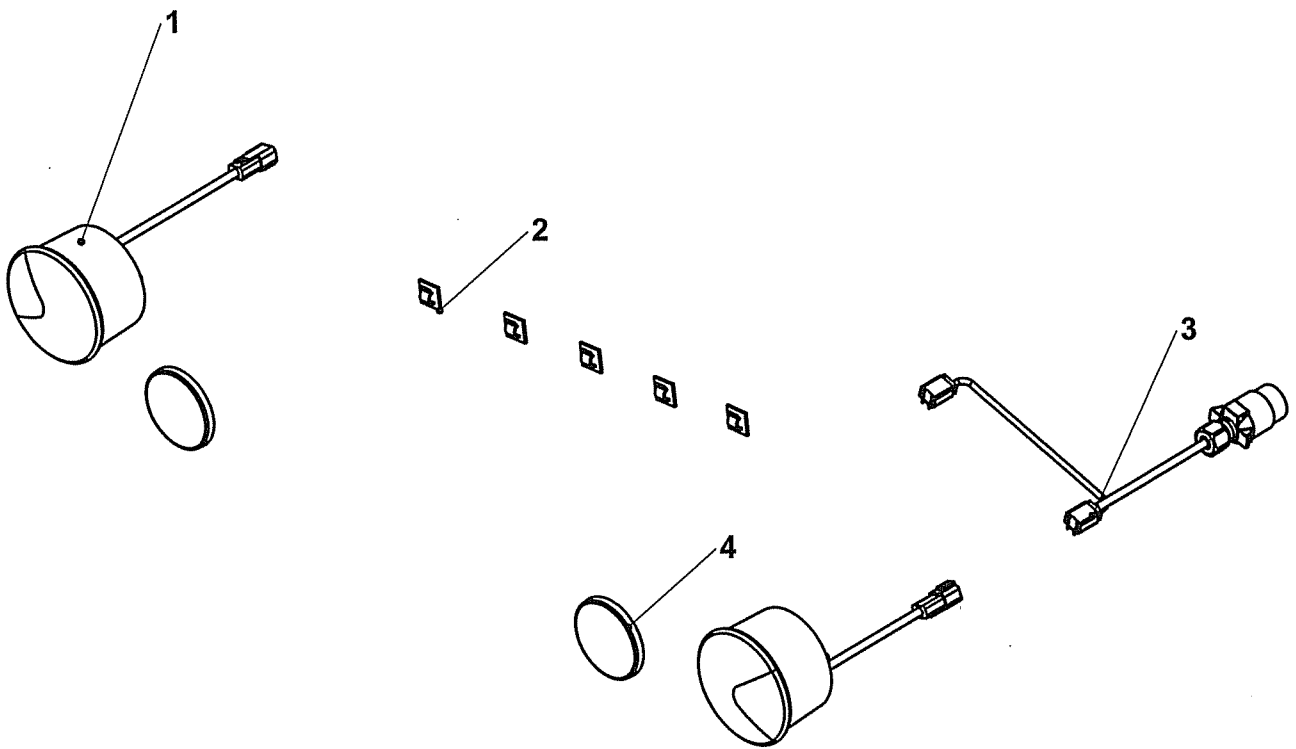
HOSES – FORWARD REACH MACHINES

0902

---

Item	Part No.	Description	Qty.
------	----------	-------------	------

---



1866

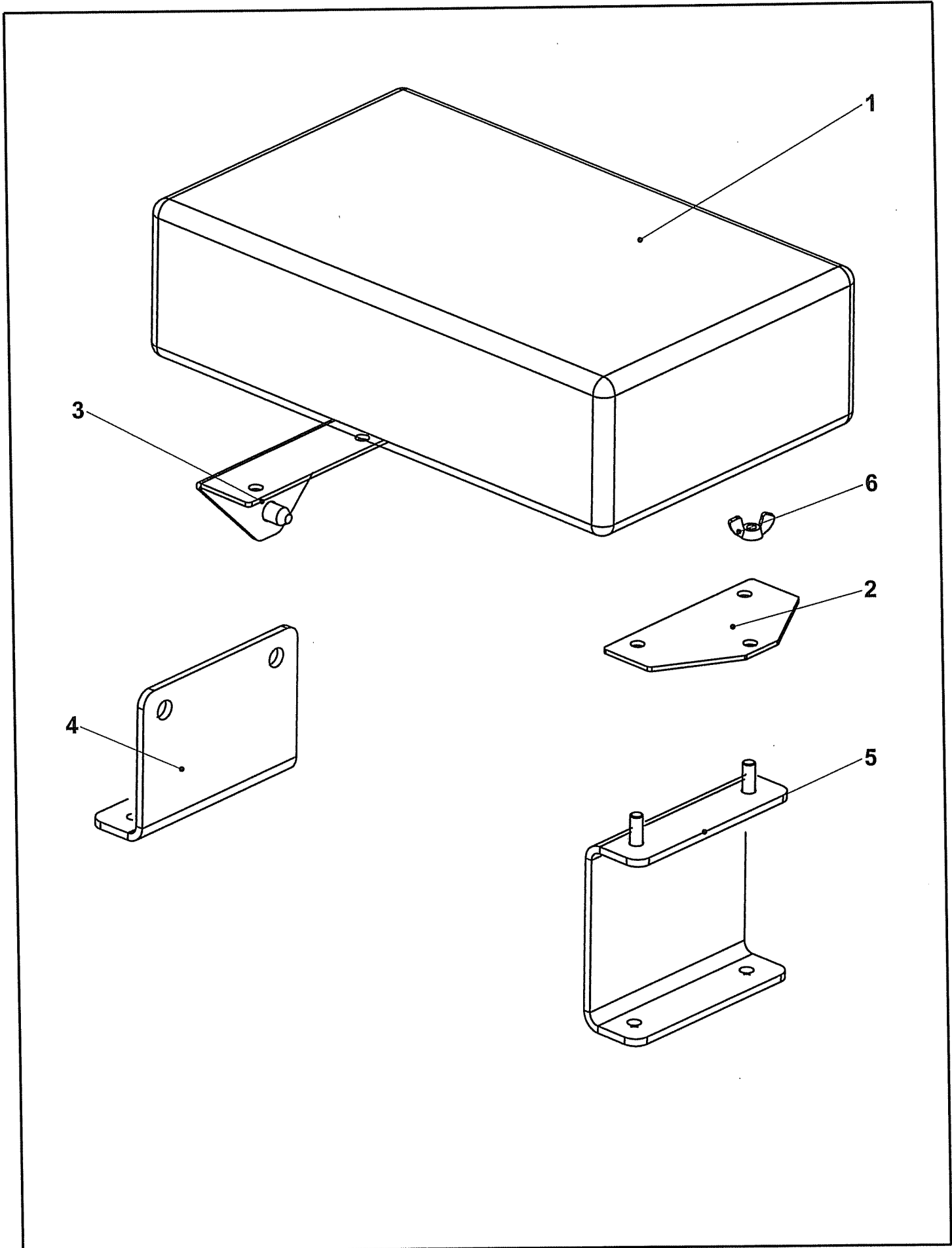
## LIGHTING KIT

0802

REF	PART NO.	DESCRIPTION	QTY
<b>45662.03/04 LIGHTING KIT RH/LH (FALCON)</b>			
01	05.281.10	FLAT WASHER 6MM PLATED	4
01	05.282.07	SPRING WASHER 6MM PLATED	4
01	05.286.10	NUT M6 PLATED	4
01*	45326.01	LIGHT - HELLA 2SD 964 169 111	2
02	43357.01	CABLE CLIP - SELF ADHESIVE	10
03	45594.04	WIRING LOOM RH (FALCON)	1
03	45994.03	WIRING LOOM LH (FALCON)	1
04	45661.03	REFLECTOR SELF ADHESIVE	2

\*MAIN PART IN GROUP, RELATED PARTS HAVE SAME REFERENCE NUMBER





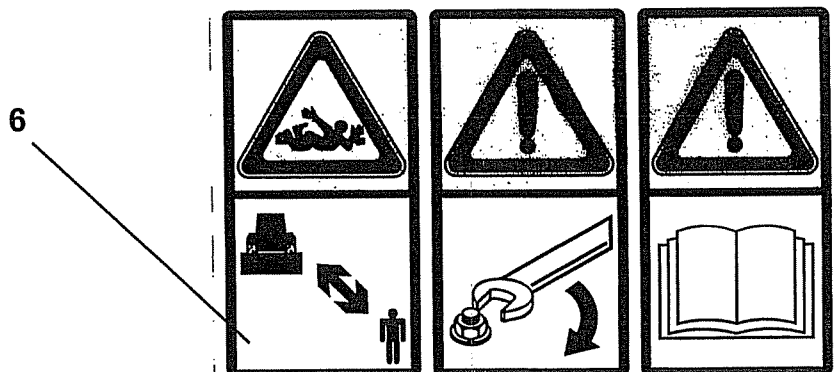
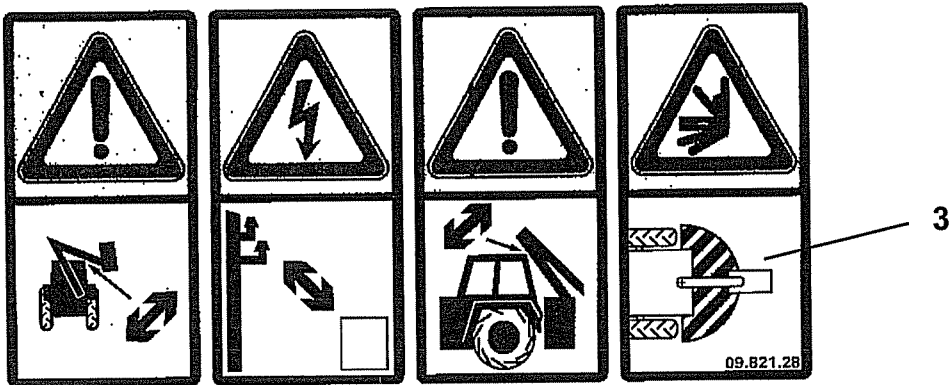
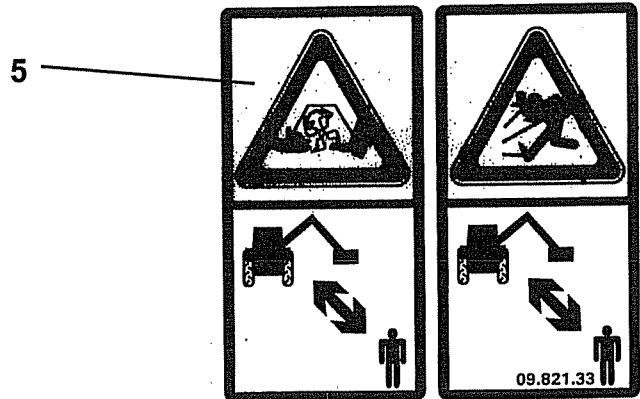
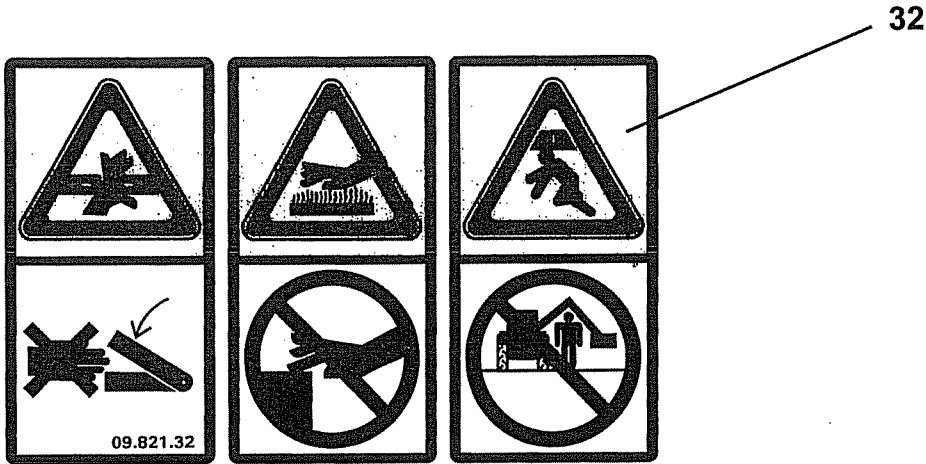
1866

## TOOL CASE

0802

REF	PART NO.	DESCRIPTION	QTY
<b>77.145.01 TOOL CASE ASSY</b>			
01	05.264.01	SETSCREW M8 X 20MM PLATED	4
01	05.281.01	FLAT WASHER 8MM PLATED	4
01	05.287.01	SELF-LOCKING NUT M8 PLATED	4
01*	46059.02	TOOL CASE	1
02	46142.01	PLATE TOOL CASE MTG	1
03	46147.01	SUPPORT – TOOLCASE	1
04	46145.02	PLATE – TOOLCASE MOUNTING	1
05	46145.01	SUPPORT – TOOL BOX 8852	1
06	05.948.07	WING NUT M8 – PLATED	1

\*MAIN PART IN GROUP, RELATED PARTS HAVE SAME REFERENCE NUMBER

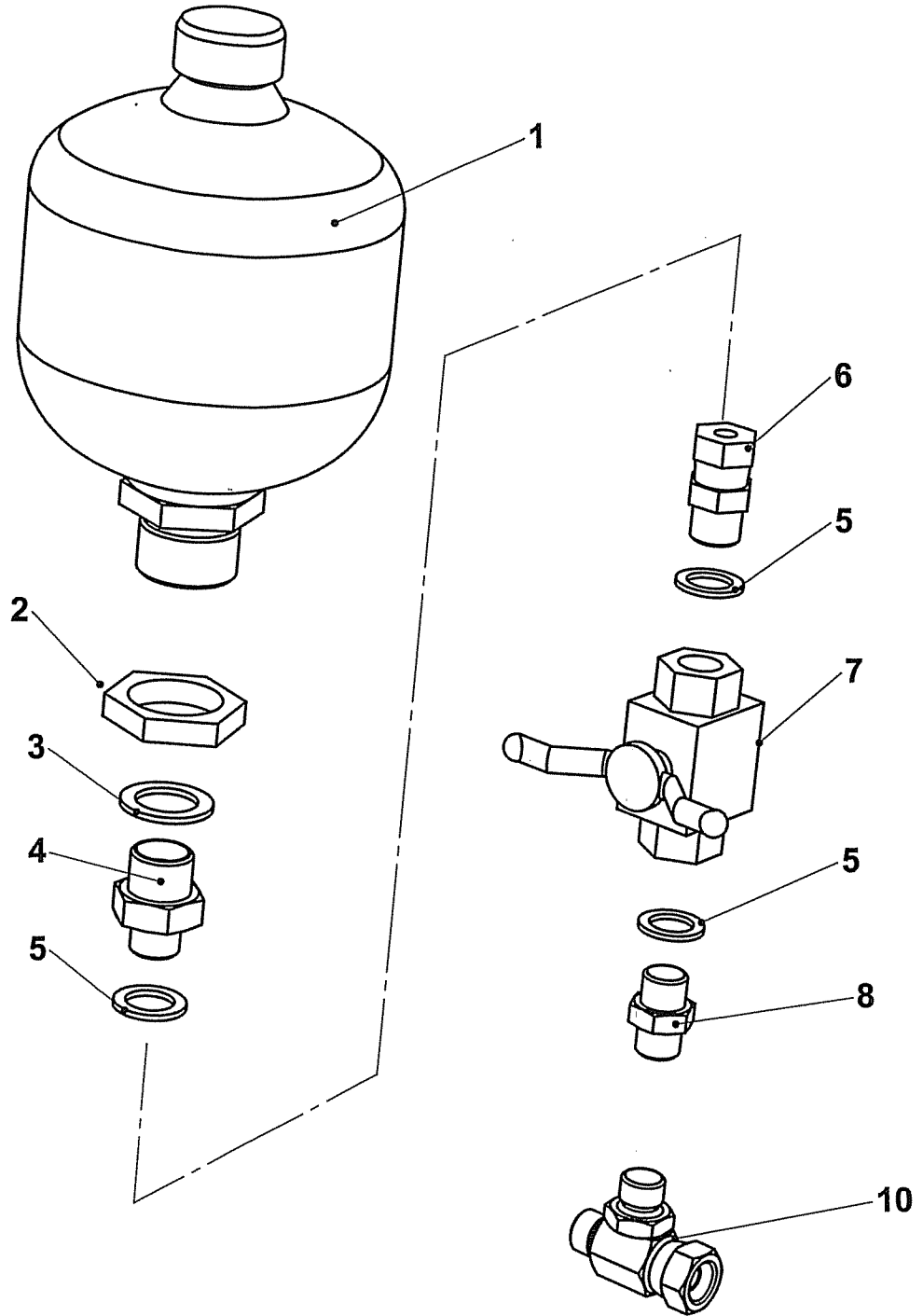


1866

## DECALS

0802

REF	PART NO.	DESCRIPTION	QTY
<b>77.138.01 DECALS ENGINEERING</b>			
1	08.632.01	DECAL - TRANSPORT	1
2	09.811.04	DECAL - MAX PTO SPEED 540 ACW	1
3	09.821.28	DECALS-EURO DECAL MINIATURISED	1
4	09.821.32	DECALS-EURO DECAL MINIATURISED	1
5	09.821.33	DECALS-EURO DECAL MINIATURISED	1
6	09.821.34	DECALS-EURO DECAL MINIATURISED	1
7	09.843.06	DECAL - LIFT POINT 1500 KG	1
8	09.845.01	DECAL - APPROVED OILS	1
9	09.846.02	DECAL - OIL FILTER CHANGE	
<b>77.137.01/02 DECALS MARKETING FALCON 5</b>			
□			
21	45645.01	DECAL - BOMFORD (72MM FONT)	1
22	45645.02	DECAL - BOMFORD (50MM FONT)	1
23	46151.01	DECAL - FALCON 5(.5) PAR SMALL	1
24	46152.01	DECAL - FALCON 5(.5) PAR LARGE	1



1866

ARM FLOAT KIT

0802

REF	PART NO.	DESCRIPTION	QTY
<b>77.122.02 ARM FLOAT KIT STD FALCON 8852</b>			
01	41451.02	ACCUMULATOR WITH EXT THD	1
02	8126035	M33 BULKHEAD NUT 'THIN'	1
03	05.290.05	BONDED SEAL 1/2"BSP	1
04	05.123.01	ADAPTOR 1/2" BSP X 3/8" BSP	1
05	05.290.04	BONDED SEAL 3/8"BSP	3
06	02.714.01	ADAPTOR-SWIVEL ST 3/8BSP M/F	1
07	08.200.01	VALVE - ISOLATING 3/8" BSP	1
08	05.124.01	ADAPTOR 3/8" BSP X 3/8" BSP	1
09	10.004.21	HOSE 3/8"BSP STX90 S.SEAL 1100	1
10	11.068.69	ADAPTOR-TEE 3/8"Fx3/8"Mx3/8"M	1

\* MAIN PART IN GROUP, RELATED PARTS HAVE SAME REFERENCE NUMBER

REF	PART NO.	DESCRIPTION	QTY
<b>77.188.01 ELECTRIC DSR ASSEMBLY</b>			
01*	42768.01	VALVE, MOTOR REVERSE ELECTRIC	1
01	05.264.02	SETSCREW M8 X 25MM	4
01	05.282.01	SPRING WASHER 8MM	4
02	46257.01	BRACKET, DSR VALVE	1
03	05.290.07	BONDED SEAL, 1" BSP	6
04	05.434.01	ADAPTOR 1" X 1" BSP	4
05	05.433.03	PLUG 1" BSP	2
06	05.835.02	ADAPTOR SWIVEL 90 1" BSP M/F	2
07	04.056.34	ADAPTOR TEE 1" X 1" X 1/2" BSP FMM	1
08	10.011.14	HOSE 1" BSP ST X ST S SEAL 700 (NOT ILLUSTRATED)	1
09	10.012.13	HOSE 1" BSP ST X 90 S SEAL 650 (NOT ILLUSTRATED)	1

\* MAIN PART IN GROUP, RELATED PARTS HAVE SAME REFERENCE NUMBER

