

PM 1866

FALCON

5 & 5.5

(INC. FORWARD ARM & PISTON MACHINES)

ARM MOWER

PARTS MANUAL

ISSUE 4

IMPORTANT

NOTE HERE THE SERIAL NUMBER OF YOUR MACHINE AND ALWAYS QUOTE IT IN ANY COMMUNICATION WITH US OR YOUR DEALER. THIS IS PARTICULARLY IMPORTANT WHEN ORDERING SPARES. REMEMBER TO INCLUDE ALL NUMBERS AND LETTERS.

MACHINE SERIAL NUMBERS _____

THE INFORMATION GIVEN THROUGHOUT THIS MANUAL IS CORRECT AT THE TIME OF PUBLICATION. HOWEVER, IN THE COURSE OF CONSTANT DEVELOPMENT OF BOMFORD TURNER MACHINES, CHANGES IN SPECIFICATION ARE INEVITABLE. SHOULD YOU FIND THE INFORMATION GIVEN IN THIS BOOK TO BE AT VARIANCE WITH THE MACHINE IN YOUR POSSESSION, YOU ARE ADVISED TO CONTACT THE BOMFORD TURNER SERVICE DEPARTMENT WHERE UP-TO-DATE INFORMATION WILL BE PROVIDED.

THE MANUAL CAN CONTAIN STANDARD AND OPTIONAL FEATURES AND IS NOT TO BE USED AS A MACHINE SPECIFICATION.

THE MACHINE HAS BEEN TESTED AND IS CONSIDERED SAFE IF CAREFULLY USED. ENSURE YOUR OPERATOR IS PROPERLY TRAINED IN ITS USE AND MAINTENANCE.

IMPORTANT

NOTEZ ICI LES NUMEROS DE SERIE DE VOTRE MACHINE ET MENTIONNEZ LES DANS TOUTE COMMUNICATION AVEC NOS SERVICES OU VOTRE REVENDEUR. CECI EST IMPORTANT POUR LA COMMANDE DE PIECES DETACHEES. PENSEZ A NOTER TOUS LES NUMEROS ET TOUTES LES LETTERS.

NUMEROS DE SERIE DE LA MACHINE _____

LES INFORMATIONS DONNEES DANS CE MANUEL SONT CORRECTES CEPENDANT, DU FAIT DE DEVELOPPEMENT CONSTANT DES MACHINES BOMFORD TURNER.

CHANGEMENTS DANS LES CARACTERISTIQUES SONT INEVITABLES.

SI VOUS TROUVEZ QUE LES INFORMATIONS DONNEES NE CORRESPONDENT PAS A VOTRE MACHINE VEUILLEZ CONTACTER LE SERVICE DES REPARATIONS OU DES INFORMATIONS PLUS RECENTES VOUS SERONT DONNEES. CE MANUEL PEUT MONTRER DES CARACTERISTIQUES OPTIONNELLES ET NE PEUT PAS ETRE CONSIDERE COMME SPECIFICATION DE LA MACHINE.

CETTE MACHINE A ETE TESTEE, ET ELLE EST CONSIDEREE COMME FIABLE A CONDITION D'UNE BONNE UTILISATION. ASSUREZ-VOUS QUE VOTRE OPERATEUR EST QUALIFIE EN CE QUI CONCERNE L'UTILISATION DE LA MACHINE AINSI QUE SON ENTRETIEN.

WICHTIG

TRAGEN SIE HIER DIE SERIENNUMMERN IHRER MASCHINE EIN UND GEBEN SIE DIESE IMMER AN, WENN SIE SICH AN UNS ODER IHREN HÄNDLER WENDEN. DAS IST BESONDERS BEI ERSATZTEILBESTELLUNGEN WICHTIG. VERGESSEN SIE NICHT, ALLE ZAHLEN UND BUCHSTABEN ZU NOTIEREN.

SERIENNUMMERN DER MASCHINE _____

DIE ANGABEN IN DIESEM HANDBUCH SIND BEI VERÖFFENTLICHUNG KORREKT. AUFGRUND DER KONSTANTEN WEITERENTWICKLUNG VON BOMFORD TURNER MASCHINEN SIND JEDOCH ÄNDERUNGEN IN DER SPEZIFIKATION UNVERMEIDLICH. WENN DIE INFORMATION IN DIESEM HANDBUCH NICHT MIT IHRER MASCHINE ÜBEREINSTIMMEN, NEHMEN SIE BITTE KONTAKT MIT DER BOMFORD TURNER KUNDENDIENSTABTEILUNG AUF, DIE IHNEN GERNE DIE AKTUELLEN INFORMATION ZUKOMMEN LÄSST.

DAS HANDBUCH KANN SOWOHL BESCHREIBUNGEN FÜR DIE STANDARD AUSFÜHRUNG ALS AUCH FÜR ZUBEHÖR ENTHALTEN UND IST NICHT ALS MASCHINENSPEZIFIKATION ZU VERWENDET.

DIE MASCHINE IST GETESTET UND BEI SACHGEMÄSSEM BETRIEB ALS SICHER BEFUNDEN WORDEN. SORGEN SIE DAFÜR, DASS IHR BEDIENPERSONAL IN ANWENDUNG UND WARTUNG RICHTIG GESCHULT WIRD.

FALCON 5 & 5.5 RANGE OF ARM MOWERS

PAGE ILLUSTRATION NUMBERS SHOWN ARE USED ONLY FOR REFERENCE PURPOSES AND SHOULD NOT BE USED FOR ORDERING SPARE PARTS. PLEASE ENSURE THE CORRECT PART NUMBER AND DESCRIPTION IS GIVEN WHEN ORDERING SPARE PARTS.

PAGE NO	DESCRIPTION
2 - 1 TO 2 - 8	MAINFRAME ASSEMBLY
3 - 1 TO 3 - 2	3 POINT LINKAGE MOUNTING OPTION
4 - 1 TO 4 - 2	AXLE MOUNTING OPTION
5 - 1 TO 5 - 20	OIL TANK ASSEMBLY
6 - 1 TO 6 - 4	KINGPOST ASSEMBLY
7 - 1 TO 7 - 28	ARM ASSEMBLIES
8 - 1 TO 8 - 4	COWL BRACKET AND LINKAGE
9 - 1 TO 9 - 23	GEARBOX & PUMP CIRCUITS Electric Diverter Valve Cable Diverter Valve Cable DSR Valve
10 - 1 TO 10 - 14	VALVES, ELECTRIC
11 - 1 TO 11 - 3	VALVE, CABLE
12 - 1 TO 12 - 5	REMOTE CONTROL – ELECTRIC
13 – 1	DCU – CAB MOUNTING
14 – 1 TO 14 – 5	REMOTE CONTROL – CABLE
15 – 1 TO 15 – 7	RAM CIRCUITS
16 – 1 TO 16 – 3	SLEW RAM AND ACCUMULATOR, BREAKOUT RAM
17 – 1 TO 17 – 15	HOSE CIRCUITS
18 – 1 TO 18 – 2	ROAD LIGHTING ASSEMBLY
19 – 1	DECALS
20 – 1	ARM FLOAT KIT
<u>Options</u>	
21 – 1	ARMFLOAT KIT – ELECTRIC
22 – 1	ELECTRIC DSR KIT
23 – 1 TO 23 – 2	OIL COOLER ASSEMBLY

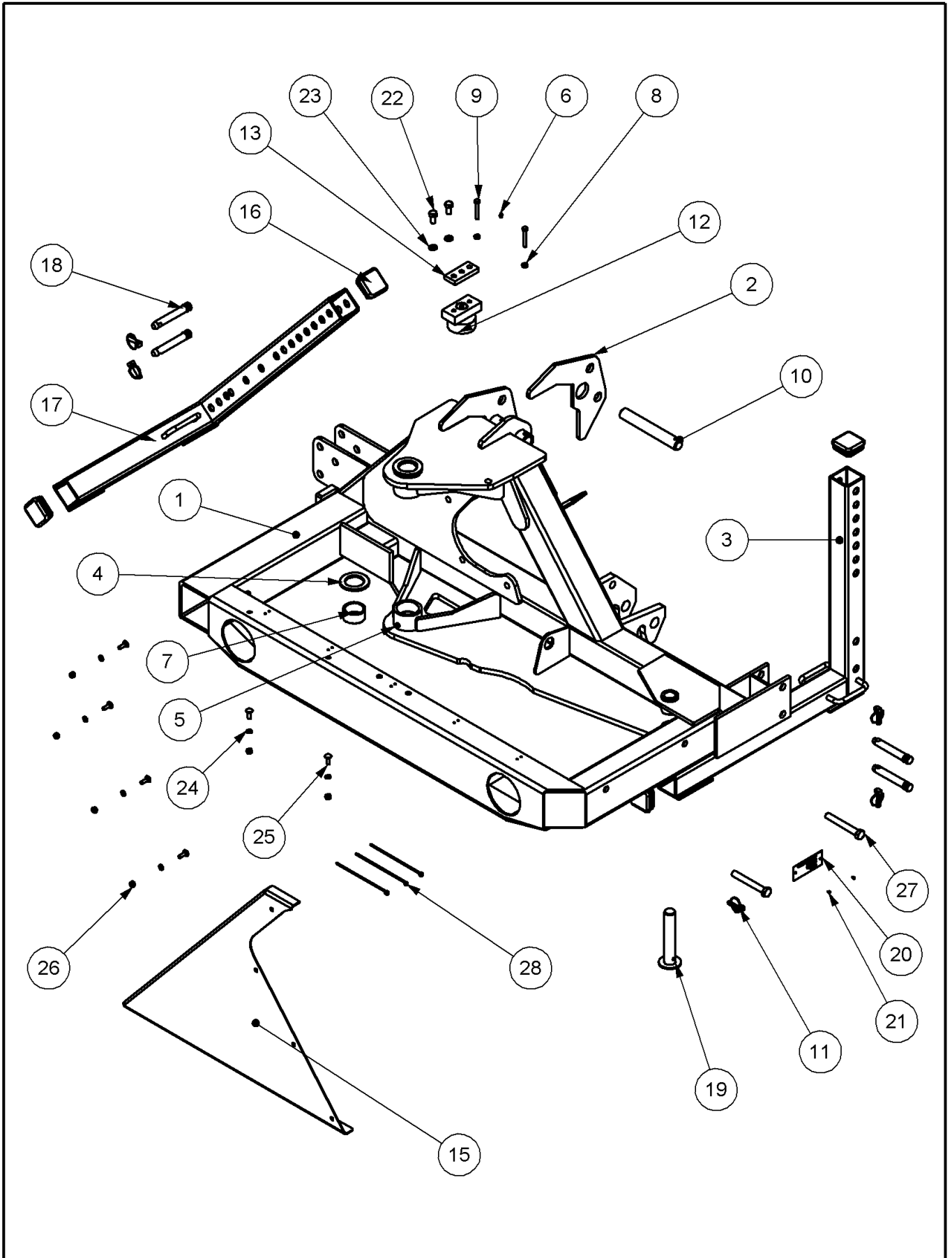
IMPORTANT

THIS MACHINE IS FOR VEGETATION CONTROL AND MUST NOT BE USED FOR ANY OTHER PURPOSE

IT IS POTENTIALLY HAZARDOUS TO FIT OR USE ANY PARTS OTHER THAN GENUINE BOMFORD TURNER PARTS

THE COMPANY DISCLAIMS ALL LIABILITY FOR THE CONSEQUENCES OF SUCH USE WHICH, IN ADDITION, VOIDS THE MACHINE WARRANTY

MAINFRAME ASSY LH - 77.110.01

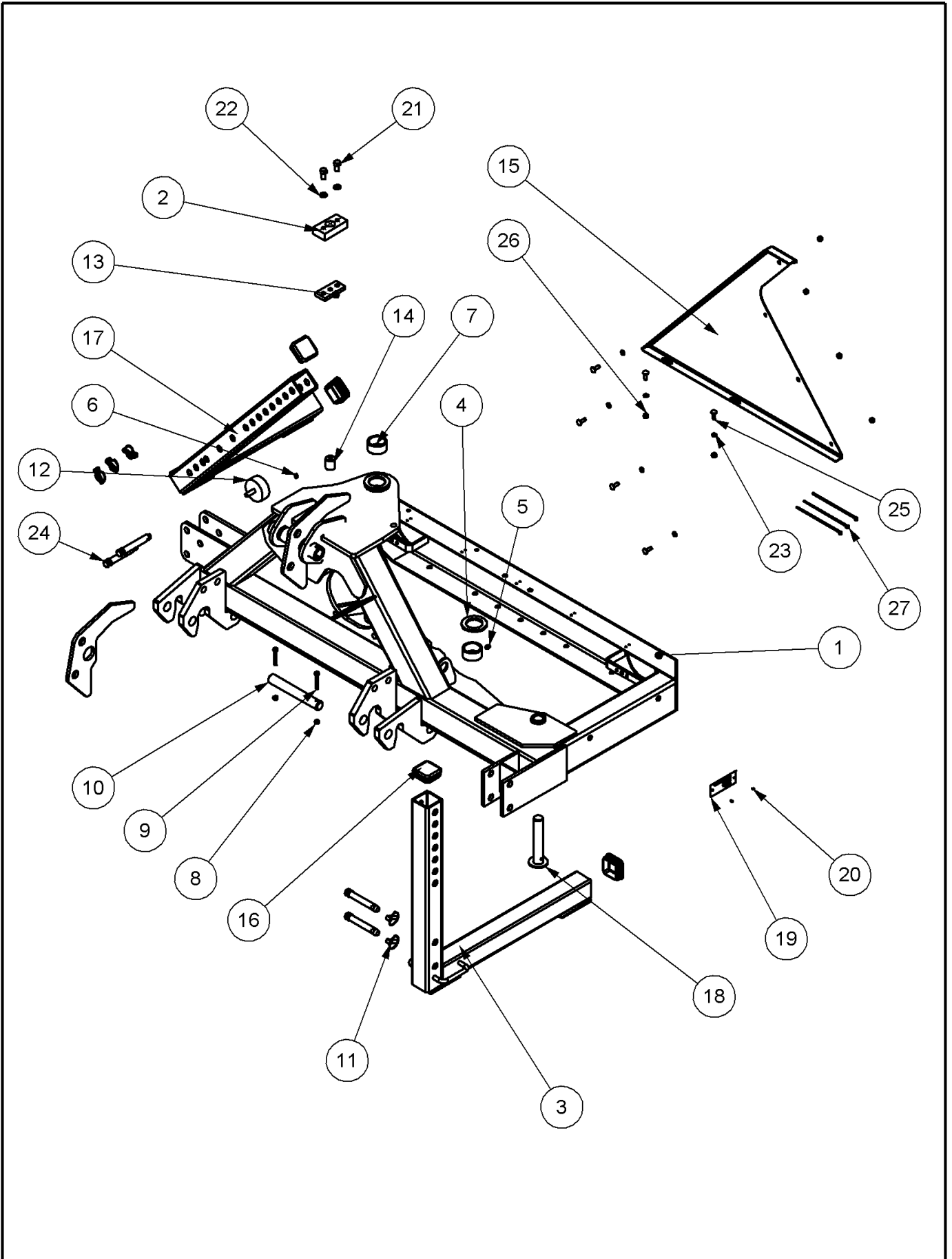


MAINFRAME ASSY LH - 77.110.01

77.110.01 - MAINFRAME ASSY LH

ITEM NO.	PART NUMBER	DESCRIPTION	QTY.
1	45935.03	MAINFRAME LH	1
2	45940.01	BRACKET - RUBBER BUFFER	1
3	45936.01	STAND - FRONT	1
4	09.918.01	THRUST WASHER	2
5	05.953.03	GREASE NIPPLE M10xStr	2
6	05.953.01	GREASE NIPPLE M6xStr	1
7	08.297.13	BUSH 60X50X30	4
8	05.287.01	SELF-LOCKING NUT M8	2
9	05.291.06	BOLT M8x55	2
10	03.654.79	PIN 30 DIA X 214	1
11	00.372.01	LINCH PIN	5
12	45987.01	MOUNT - RUBBER	2
13	46013.01	FLAT	1
14	46011.01	BRT RD - 30 DIA.	1
15	46049.01	GUARD - REAR LH	1
16	45210.01	70 x 70 PLASTIC PLUG	4
17	45936.02	STAND - FRONT	1
18	42930.04	PIN 19 DIA X 102	4
19	03.654.94	PIN 30 DIA X 166	1
20	05.774.07	SERIAL PLATE	1
21	05.227.01	HAMMER DRIVE SCREW	2
22	05.264.22	SETSCREW M12x25	2
23	05.282.03	SPRING WASHER M12	2
24	05.282.01	SPRING WASHER M8	6
25	9293054	BOLT CUP SQR M8x25	6
26	05.286.01	NUT M8	6
27	05.292.35	BOLT M16x120	2
28	30.058.66	CABLE RET CLIP	3

MAINFRAME ASSY RH - 77.110.02

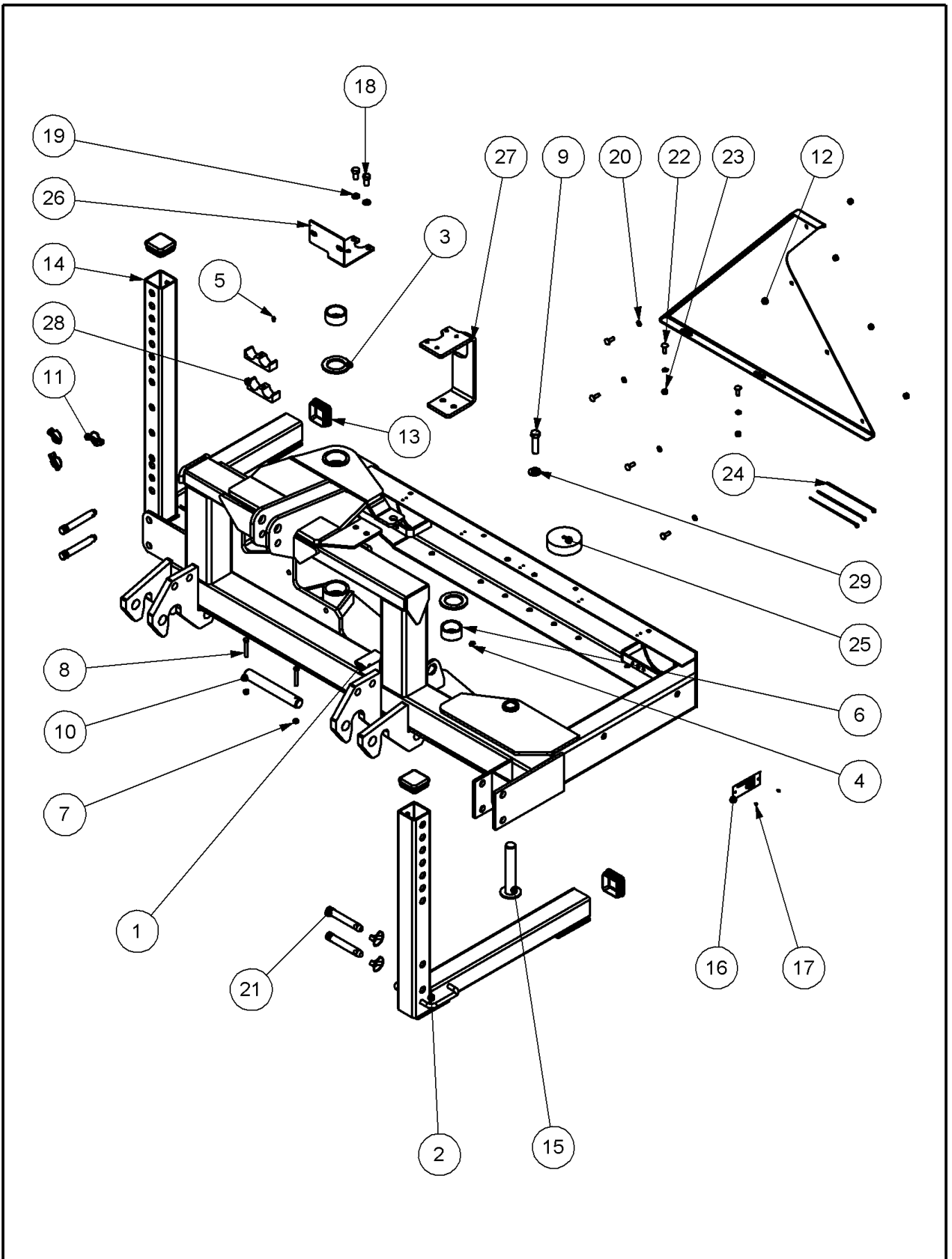


MAINFRAME ASSY RH - 77.110.02

77.110.02 - MAINFRAME ASSY RH

ITEM NO.	PART NUMBER	DESCRIPTION	QTY.
1	45935.04	MAINFRAME RH	1
2	45940.01	BRACKET - RUBBER BUFFER	1
3	45936.01	STAND - FRONT	1
4	09.918.01	THRUST WASHER	2
5	05.953.03	GREASE NIPPLE M10xStr	2
6	05.953.01	GREASE NIPPLE M6xStr	1
7	08.297.13	BUSH 60X50X30	4
8	05.287.01	SELF-LOCKING NUT M8	2
9	05.291.06	BOLT M8x55	2
10	03.654.79	PIN 30 DIA X 214	1
11	00.372.01	LINCH PIN	5
12	45987.01	MOUNT - RUBBER	2
13	46013.01	FLAT	1
14	46011.01	BRT RD - 30 DIA.	1
15	46049.02	GUARD - REAR RH	1
16	45210.01	70 x 70 PLASTIC PLUG	4
17	45936.02	STAND - FRONT	1
18	03.654.94	PIN 30 DIA X 166	1
19	05.774.07	SERIAL PLATE	1
20	05.227.01	HAMMER DRIVE SCREW	2
21	05.264.22	SETSCREW M12x25	2
22	05.282.03	SPRING WASHER M12	2
23	05.282.01	SPRING WASHER M8	6
24	42930.04	PIN 19 DIA X 102	4
25	9293054	BOLT CUP SQR M8x25	6
26	05.286.01	NUT M8	6
27	30.058.66	CABLE RET CLIP	3

MAINFRAME ASSY RH PISTON FALCON - 77.110.04

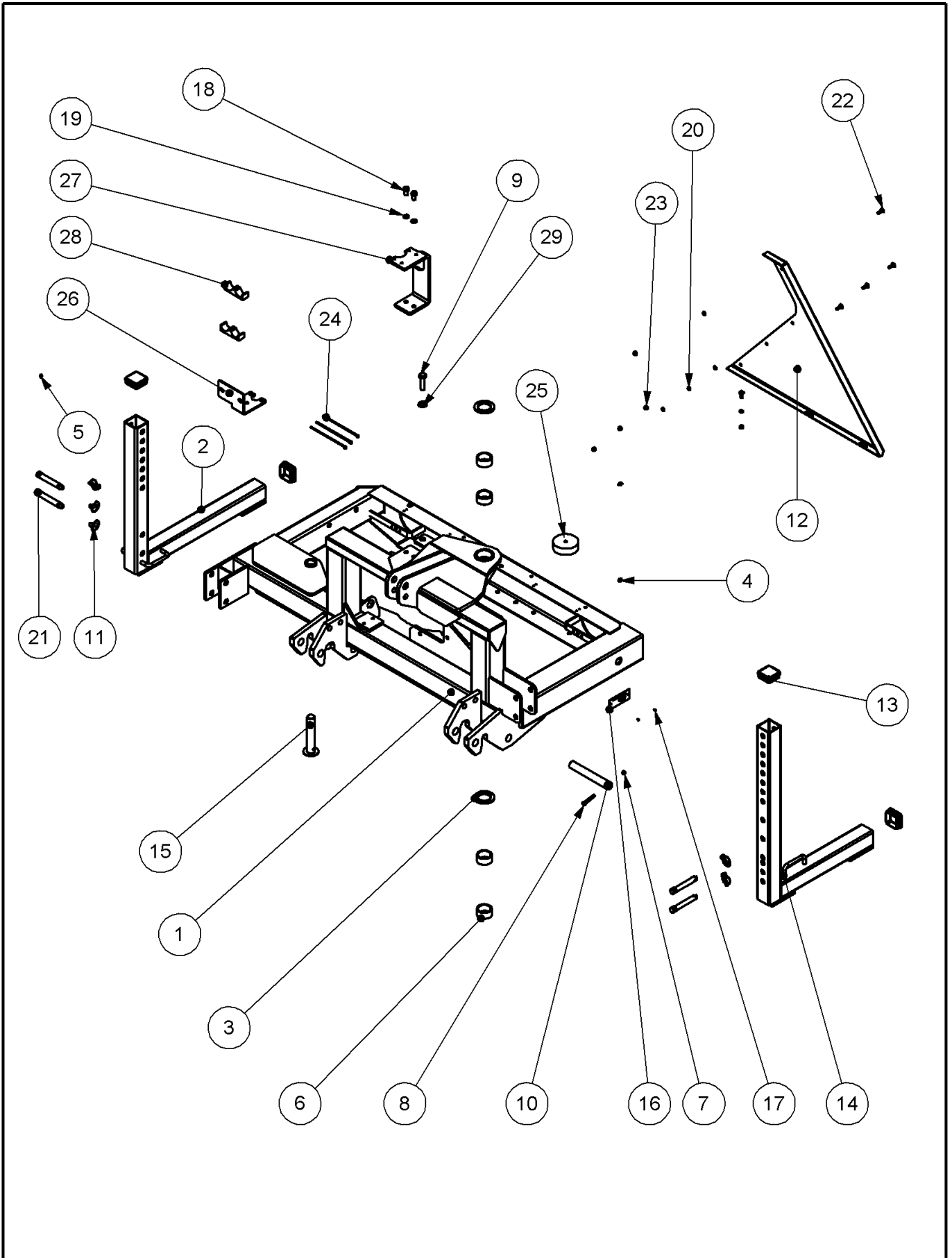


MAINFRAME ASSY RH PISTON FALCON - 77.110.04

MAINFRAME ASSY RH PISTON FALCON - 77.110.04

ITEM NO.	PART NUMBER	DESCRIPTION	QTY.
1	47235.06	FALCON PISTON MF	1
2	45936.01	STAND - FRONT	1
3	09.918.01	THRUST WASHER	2
4	05.953.03	GREASE NIPPLE M10xStr	2
5	05.953.01	GREASE NIPPLE M6xStr	1
6	08.297.13	BUSH 60X50X30	4
7	05.287.01	SELF-LOCKING NUT M8	2
8	05.291.06	BOLT M8x55	2
9	05.291.37	BOLT M16x60	1
10	03.654.79	PIN 30 DIA X 214	1
11	00.372.01	LINCH PIN	5
12	46049.02	GUARD - REAR RH	1
13	45210.01	70 x 70 PLASTIC PLUG	4
14	45936.02	STAND - FRONT	1
15	03.654.94	PIN 30 DIA X 166	1
16	05.774.07	SERIAL PLATE	1
17	05.227.01	HAMMER DRIVE SCREW	2
18	05.264.22	SETSCREW M12x25	2
19	05.282.03	SPRING WASHER M12	2
20	05.282.01	SPRING WASHER M8	6
21	42930.04	PIN 19 DIA X 102	4
22	9293054	BOLT CUP SQR M8x25	6
23	05.286.01	NUT M8	6
24	30.058.66	CABLE RET CLIP	3
25	47431.03	FOOT	1
26	47431.14	FILTER BRACKET	1
27	47135.59	FILTER BRACKET RHS	1
28	30.217.76	30.217.76	2
29	05.281.04	FLAT WASHER M16	3

MAINFRAME ASSY LH PISTON FALCON - 77.110.06

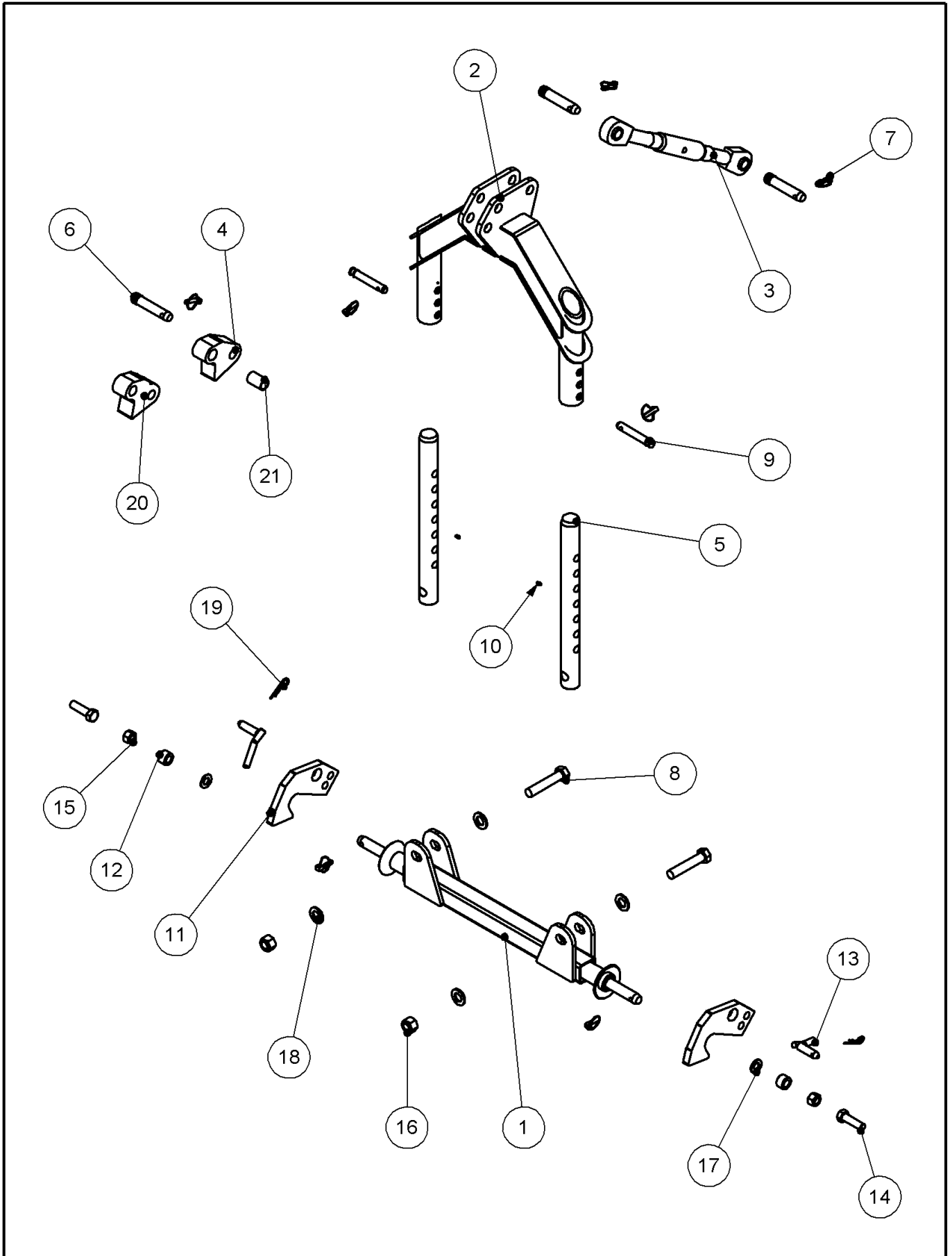


MAINFRAME ASSY LH PISTON FALCON - 77.110.06

MAINFRAME ASSY LH PISTON FALCON - 77.110.06

ITEM NO.	PART NUMBER	DESCRIPTION	QTY.
1	47235.05	FALCON PISTON MF LH	1
2	45936.01	STAND - FRONT	1
3	09.918.01	THRUST WASHER	2
4	05.953.03	GREASE NIPPLE M10xStr	2
5	05.953.01	GREASE NIPPLE M6xStr	1
6	08.297.13	BUSH 60X50X30	4
7	05.287.01	SELF-LOCKING NUT M8	2
8	05.291.06	BOLT M8x55	2
9	05.291.37	BOLT M16x60	1
10	03.654.79	PIN 30 DIA X 214	1
11	00.372.01	LINCH PIN	5
12	46049.01	GUARD - REAR LH	1
13	45210.01	70 x 70 PLASTIC PLUG	4
14	45936.02	STAND - FRONT	1
15	03.654.94	PIN 30 DIA X 166	1
16	05.774.07	SERIAL PLATE	1
17	05.227.01	HAMMER DRIVE SCREW	2
18	05.264.22	SETSCREW M12x25	2
19	05.282.03	SPRING WASHER M12	2
20	05.282.01	SPRING WASHER M8	6
21	42930.04	PIN 19 DIA X 102	4
22	9293054	BOLT CUP SQR M8x25	6
23	05.286.01	NUT M8	6
24	30.058.66	CABLE RET CLIP	3
25	47431.03	FOOT	1
26	47431.14	FILTER BRACKET	1
27	47135.59	FILTER BRACKET RHS	1
28	30.217.76	30.217.76	2
29	05.281.04	FLAT WASHER M16	3

ASSY - 3 PT LINKAGE - 77.123.01

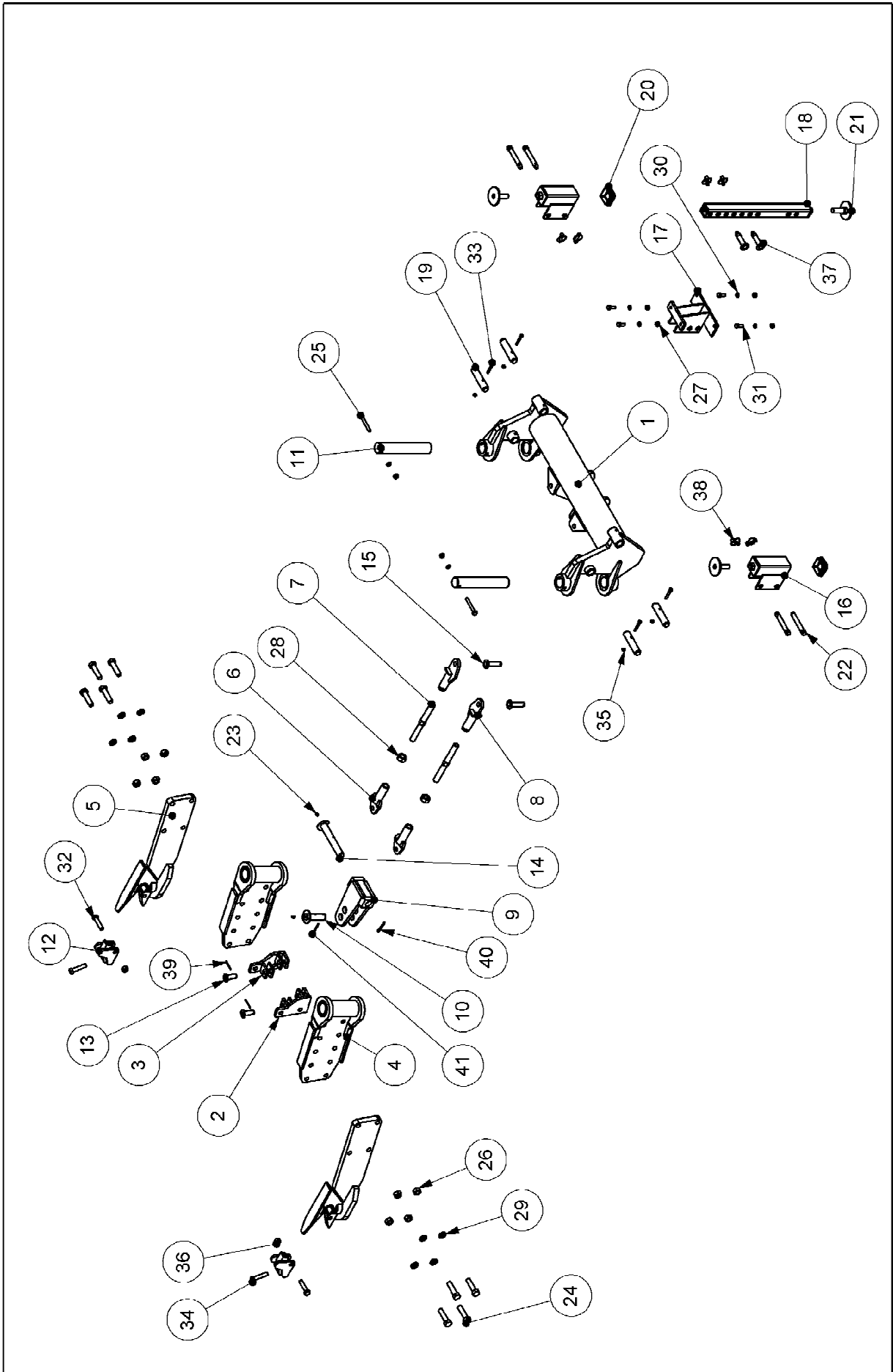


ASSY - 3 PT LINKAGE - 77.123.01

77.123.01 - ASSY - 3 POINT LINKAGE

ITEM NO.	PART NUMBER	DESCRIPTION	QTY.
1	45973.01	ASSY - HITCH (QUIK - B49)	1
2	45962.01	ASSY - A FRAME	1
3	07.584.02	TOP LINK	1
4	46582.01	PLATE CAT 3	1
5	46035.01	BRT RD	2
6	46125.01	PIN CAT 2 TOP LINK	3
7	00.372.01	LINCH PIN	7
8	05.285.05	BOLT M24 X 120	2
9	T1657	T1657	2
10	05.953.01	GREASE NIPPLE M6xStr	2
11	46051.01	PLATE	2
12	42801.02	SPACER	2
13	46586.01	LATCH LOCK PIN	2
14	05.291.49	BOLT M20x70	2
15	05.287.05	SELF-LOCKING NUT M20	2
16	05.287.06	SELF-LOCKING NUT M24	2
17	05.281.05	FLAT WASHER M20	2
18	05.281.16	FLAT WASHER 1"BSF	4
19	05.964.01	SPRING COTTER	2
20	43368.01	PLATE 28 DIA PIN	1
21	46584.01	CAT 3 - CAT 2 ADAPTOR	1

AXLE MOUNT KIT FALCON - 77.136.01

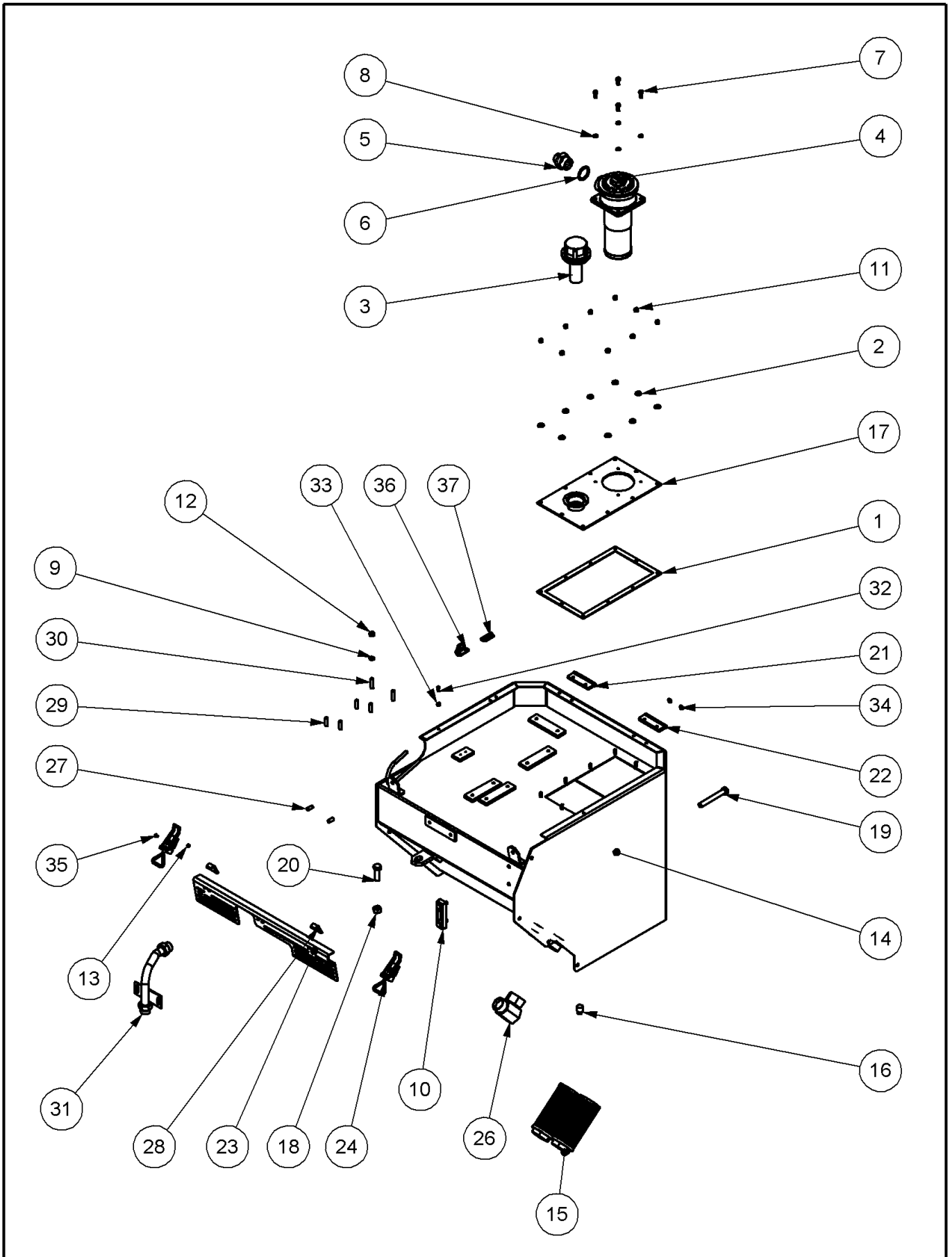


AXLE MOUNT KIT FALCON - 77.136.01

AXLE MOUNT KIT FALCON - 77.136.01

ITEM NO.	PART NUMBER	DESCRIPTION	QTY.
1	46157.01	BRACKET - AXLE MOUNTING	1
2	43502.01	BRACKET LH	1
3	43502.02	BRACKET RH	1
4	08.543.01	PIVOT GATE	2
5	03.752.02	FORK - MOUNTING	2
6	03.806.01	FORK TIE ROD	2
7	03.804.01	HEX BAR	2
8	03.805.01	TIE ROD	2
9	43004.01	YOLK BRACKET	1
10	03.654.02	BRT RD 30MM x 104	1
11	03.657.18	PIN 50 DIA X 291	2
12	06.714.01	CATCH PLATE	2
13	03.652.02	PIN 20 DIA X 53	2
14	03.654.01	PIN 30 DIA X 198	1
15	03.652.03	PIN 20 DIA X 79	2
16	46204.02	BRACKET	2
17	46205.01	BRACKET - STAND REAR	1
18	46206.01	STAND - REAR	1
19	46159.01	PIN 30 DIA X 136	4
20	45210.01	70 x 70 PLASTIC PLUG	2
21	30.141.34	FOOT	3
22	42930.04	PIN 19 DIA X 102	4
23	05.953.03	GREASE NIPPLE M10xStr	2
24	05.292.41	BOLT M20x80	8
25	05.292.22	BOLT M12x90	2
26	05.286.05	NUT M20	8
27	05.286.03	NUT M12	6
28	05.286.06	NUT M24	2
29	05.282.05	SPRING WASHER M20	8
30	05.282.03	SPRING WASHER M12	6
31	05.264.23	SETSCREW M12x30	4
32	05.264.40	SETSCREW M16x70	2
33	05.291.06	BOLT M8x55	4
34	05.291.39	BOLT M16x70	2
35	05.287.01	SELF-LOCKING NUT M8	4
36	05.287.04	SELF-LOCKING NUT M16	4
37	03.652.01	PIN 20 DIA. X 90	2
38	00.372.01	LINCH PIN	6
39	05.284.03	SPLIT COTTER INDEX	4
40	05.284.14	SPLIT COTTER INDEX	1
41	05.284.16	SPLIT COTTER INDEX	1

TANK ASSY LH 8852 - 77.109.01

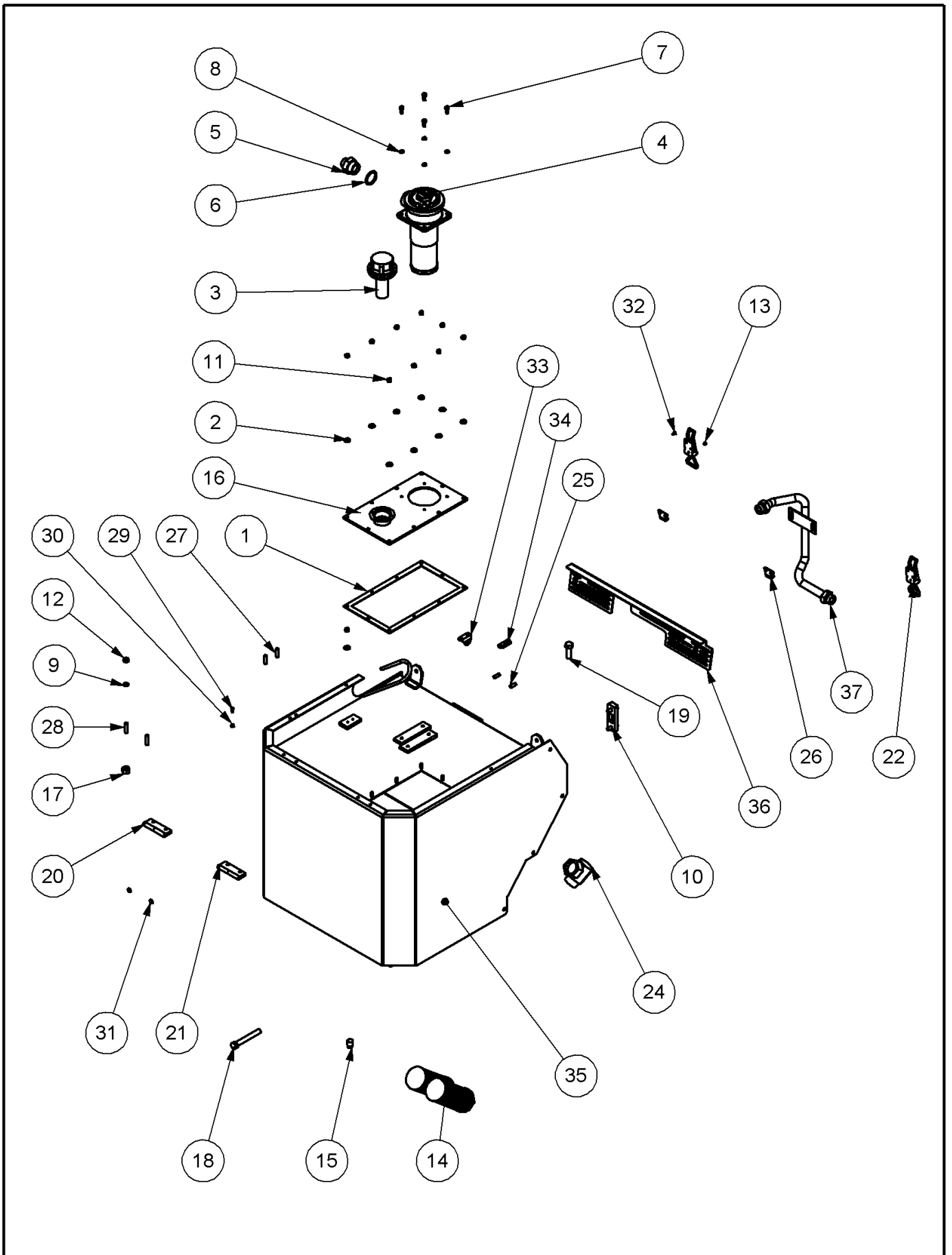


TANK ASSY LH 8852 - 77.109.01

77.109.01 - OIL TANK ASSY LH

ITEM NO.	PART NUMBER	DESCRIPTION	QTY.
1	08.605.01	GASKET	1
2	05.281.01	FLAT WASHER M8	10
3	06.966.02	FILLER BREATHER CAP & STRAIN	1
4	46750.01	FILTER ASSEMBLY 125L PARKER	1
5	05.131.01	ADAPTOR 1"BSPx1.1/4"BSP	1
6	05.290.08	BONDED SEAL 1.1/4" BSP	1
7	05.264.01	SETSCREW M8x20	4
8	05.282.01	SPRING WASHER M8	4
9	05.282.02	SPRING WASHER M10	8
10	08.921.01	FLUID LEVEL GAUGE	1
11	05.286.01	NUT M8	10
12	05.286.02	NUT M10	8
13	05.286.09	NUT M5	10
14	45989.01	TANK - OIL LH	1
15	8401047	STRAINER	2
16	05.495.01	PLUG 1/2" BSPT	1
17	41.255.01	PLATE - FILLER/FILTER	1
18	05.287.04	SELF-LOCKING NUT M16	3
19	05.292.35	BOLT M16x120	1
20	05.291.35	BOLT M16x50	1
21	46065.02	HINGE	1
22	46065.01	HINGE	1
23	47333.01	COVER - TANK LH	1
24	43449.04	FASTENER OVERCENTRE	2
25	08.156.02	SELF ADH. POLY STRIP	1
26	05.835.10	90 ADAPTOR M/F SWIVEL	1
27	04.282.88	STUD M10 X 23	2
28	43449.03	TOGGLE CLAMP PLATE	2
29	03.100.01	STUD M10x34	4
30	04.282.42	STUD M10 X 40	2
31	46107.05	PIPE - HYDRAULIC 1"BSP	1
32	05.345.14	SOCKET CSK SCREW M6x16	12
33	30.070.64	NUT NYLOC M6 Z/P	12
34	46192.01	PUSH ON RETAINER	2
35	9353022	M5 SOCKET HEAD C/SK	10
36	46187.01	BRACKET	1
37	46076.01	MOUNT STAY - TANK GUARD	1

OIL TANK ASSY RH - 77.109.02

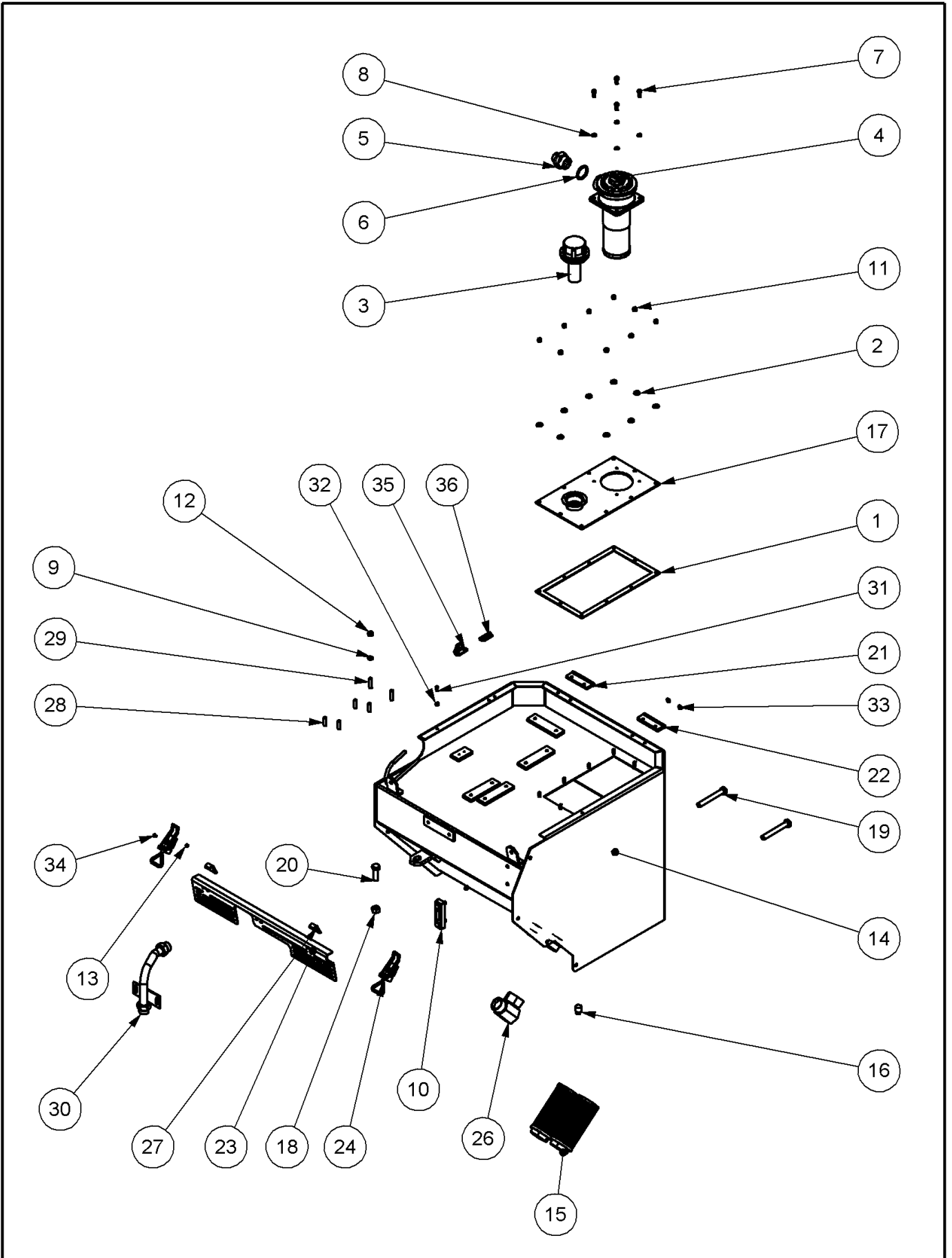


OIL TANK ASSY RH - 77.109.02

77.109.02 - OIL TANK ASSY RH

ITEM NO.	PART NUMBER	DESCRIPTION	QTY.
1	08.605.01	GASKET	1
2	05.281.01	FLAT WASHER M8	10
3	06.966.02	FILLER BREATHER CAP & STRAIN	1
4	46750.01	FILTER ASSEMBLY 125L PARKER	1
5	05.131.01	ADAPTOR 1"BSPx1.1/4"BSP	1
6	05.290.08	BONDED SEAL 1.1/4" BSP	1
7	05.264.01	SETSCREW M8x20	4
8	05.282.01	SPRING WASHER M8	4
9	05.282.02	SPRING WASHER M10	8
10	08.921.01	FLUID LEVEL GAUGE	1
11	05.286.01	NUT M8	10
12	05.286.02	NUT M10	8
13	05.286.09	NUT M5	10
14	8401047	STRAINER	2
15	05.495.01	PLUG 1/2" BSPT	1
16	41.255.01	PLATE - FILLER/FILTER	1
17	05.287.04	SELF-LOCKING NUT M16	3
18	05.292.35	BOLT M16x120	1
19	05.291.35	BOLT M16x50	1
20	46065.02	HINGE	1
21	46065.01	HINGE	1
22	43449.04	FASTENER OVERCENTRE	2
23	08.156.02	SELF ADH. POLY STRIP	1
24	05.835.10	90 ADAPTOR M/F SWIVEL	1
25	04.282.88	STUD M10 X 23	2
26	43449.03	TOGGLE CLAMP PLATE	2
27	03.100.01	STUD M10x34	4
28	04.282.42	STUD M10 X 40	2
29	05.345.14	SOCKET CSK SCREW M6x16	12
30	30.070.64	NUT NYLOC M6 Z/P	12
31	46192.01	PUSH ON RETAINER	2
32	9353022	M5 SOCKET HEAD C/SK	10
33	46187.01	BRACKET	1
34	46076.01	MOUNT STAY - TANK GUARD	1
35	45989.02	TANK ASSY - RH FALCON	1
36	47333.02	COVER - TANK RH	1
37	46107.08	PIPE - HYDRAULIC 1" BSP RH	1

TANK ASSEMBLY LH - 77.109.06

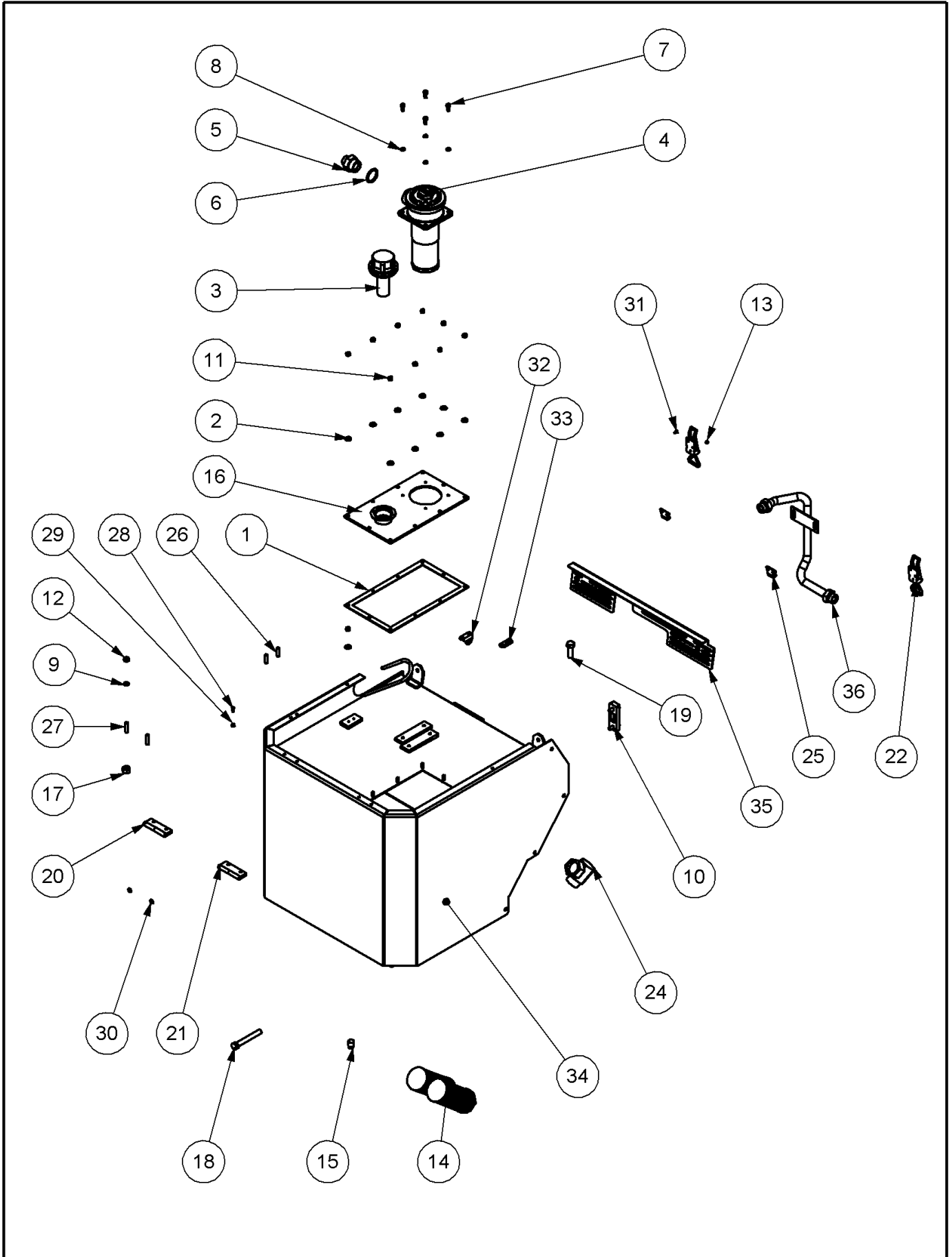


TANK ASSEMBLY LH - 77.109.06

77.109.06 - TANK ASSY LH

ITEM NO.	PART NUMBER	DESCRIPTION	QTY.
1	08.605.01	GASKET	1
2	05.281.01	FLAT WASHER M8	10
3	06.966.02	FILLER BREATHER CAP & STRAIN	1
4	46750.01	FILTER ASSEMBLY 125L PARKER	1
5	05.131.01	ADAPTOR 1"BSPx1.1/4"BSP	1
6	05.290.08	BONDED SEAL 1.1/4" BSP	1
7	05.264.01	SETSCREW M8x20	4
8	05.282.01	SPRING WASHER M8	4
9	05.282.02	SPRING WASHER M10	8
10	08.921.01	FLUID LEVEL GAUGE	1
11	05.286.01	NUT M8	10
12	05.286.02	NUT M10	8
13	05.286.09	NUT M5	10
14	45989.01	TANK - OIL LH	1
15	8401047	STRAINER	2
16	05.495.01	PLUG 1/2" BSPT	1
17	41.255.01	PLATE - FILLER/FILTER	1
18	05.287.04	SELF-LOCKING NUT M16	3
19	05.292.35	BOLT M16x120	2
20	05.291.35	BOLT M16x50	1
21	46065.02	HINGE	1
22	46065.01	HINGE	1
23	47333.01	COVER - TANK LH	1
24	43449.04	FASTENER OVERCENTRE	2
25	08.156.02	SELF ADH. POLY STRIP	1
26	05.835.10	90 ADAPTOR M/F SWIVEL	1
27	43449.03	TOGGLE CLAMP PLATE	2
28	03.100.01	STUD M10x34	6
29	04.282.42	STUD M10 X 40	2
30	46107.05	PIPE - HYDRAULIC 1"BSP	1
31	05.345.14	SOCKET CSK SCREW M6x16	12
32	30.070.64	NUT NYLOC M6 Z/P	12
33	46192.01	PUSH ON RETAINER	2
34	9353022	M5 SOCKET HEAD C/SK	10
35	46187.01	BRACKET	1
36	46076.01	MOUNT STAY - TANK GUARD	1

FALCON RH TANK ASSY - 77.109.07

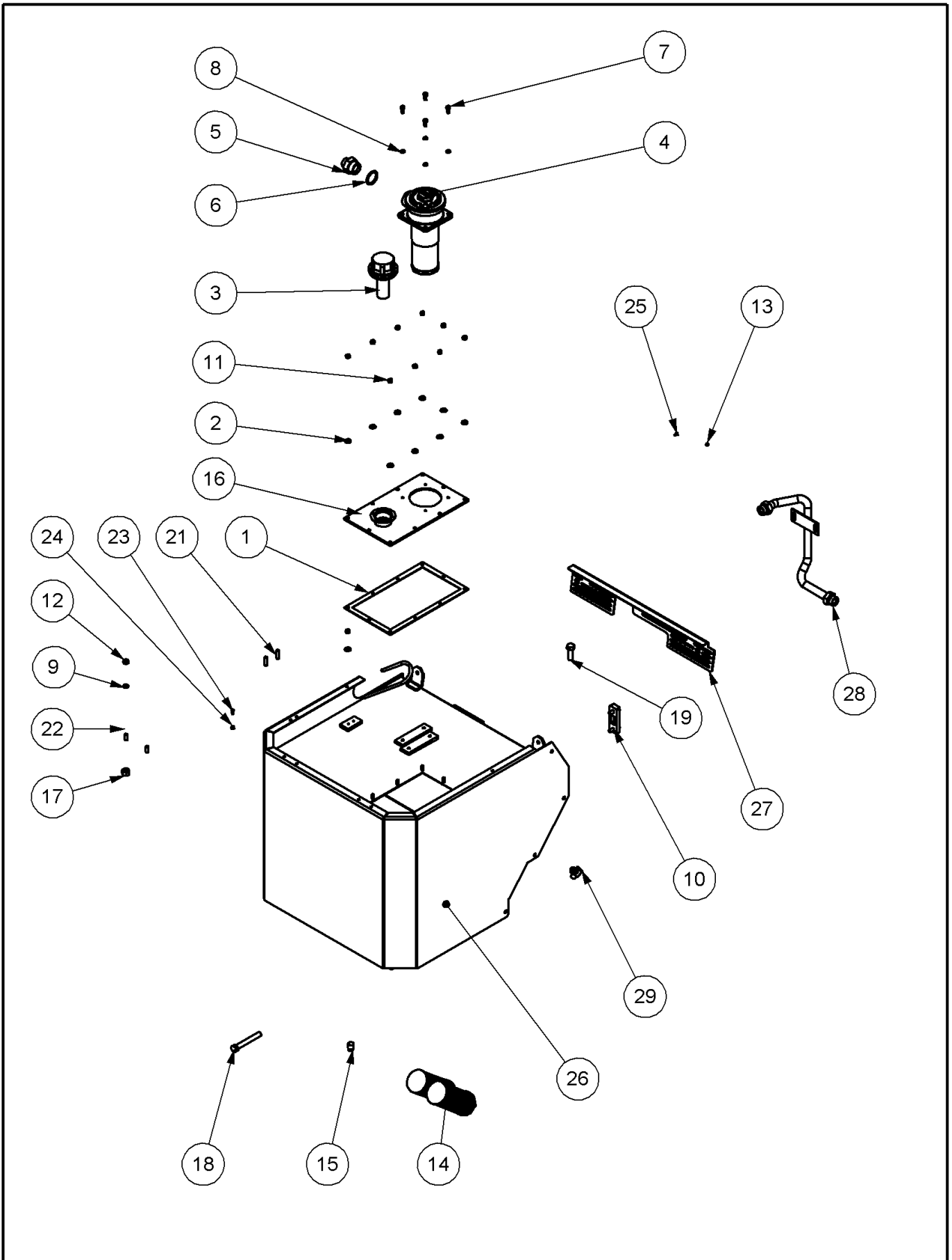


FALCON RH TANK ASSY - 77.109.07

77.109.07 - OIL TANK ASSY RH

ITEM NO.	PART NUMBER	DESCRIPTION	QTY.
1	08.605.01	GASKET	1
2	05.281.01	FLAT WASHER M8	10
3	06.966.02	FILLER BREATHER CAP & STRAIN	1
4	46750.01	FILTER ASSEMBLY 125L PARKER	1
5	05.131.01	ADAPTOR 1"BSPx1.1/4"BSP	1
6	05.290.08	BONDED SEAL 1.1/4" BSP	1
7	05.264.01	SETSCREW M8x20	4
8	05.282.01	SPRING WASHER M8	4
9	05.282.02	SPRING WASHER M10	8
10	08.921.01	FLUID LEVEL GAUGE	1
11	05.286.01	NUT M8	10
12	05.286.02	NUT M10	8
13	05.286.09	NUT M5	10
14	8401047	STRAINER	2
15	05.495.01	PLUG 1/2" BSPT	1
16	41.255.01	PLATE - FILLER/FILTER	1
17	05.287.04	SELF-LOCKING NUT M16	3
18	05.292.35	BOLT M16x120	1
19	05.291.35	BOLT M16x50	1
20	46065.02	HINGE	1
21	46065.01	HINGE	1
22	43449.04	FASTENER OVERCENTRE	2
23	08.156.02	SELF ADH. POLY STRIP	1
24	05.835.10	90 ADAPTOR M/F SWIVEL	1
25	43449.03	TOGGLE CLAMP PLATE	2
26	03.100.01	STUD M10x34	4
27	04.282.42	STUD M10 X 40	2
28	05.345.14	SOCKET CSK SCREW M6x16	12
29	30.070.64	NUT NYLOC M6 Z/P	12
30	46192.01	PUSH ON RETAINER	2
31	9353022	M5 SOCKET HEAD C/SK	10
32	46187.01	BRACKET	1
33	46076.01	MOUNT STAY - TANK GUARD	1
34	45989.02	TANK ASSY - RH FALCON	1
35	47333.02	COVER - TANK RH	1
36	46107.08	PIPE - HYDRAULIC 1" BSP RH	1

OIL TANK ASSEMBLY RH - 77.109.08

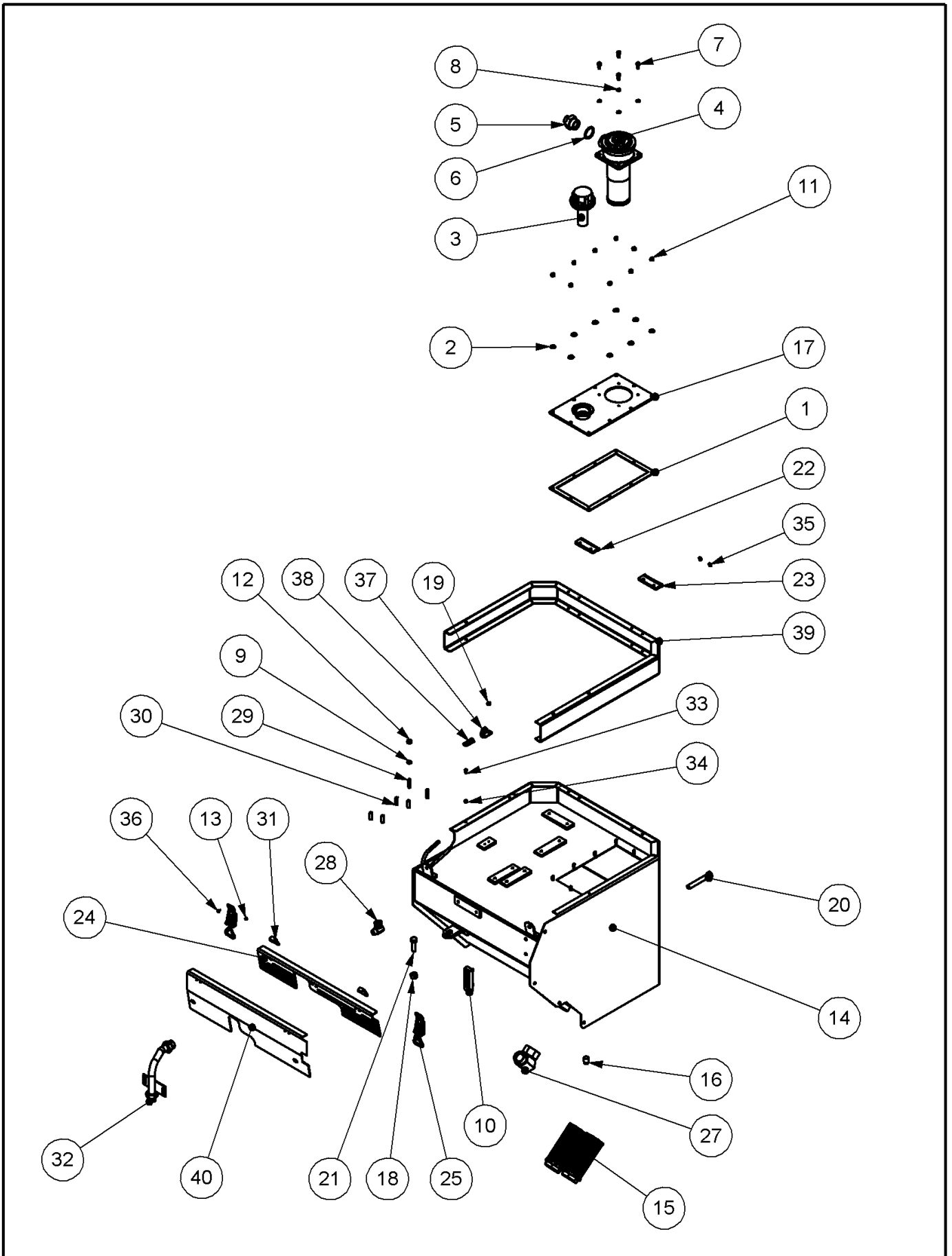


OIL TANK ASSEMBLY RH - 77.109.08

77.109.08 - OIL TANK ASSY RH

ITEM NO.	PART NUMBER	DESCRIPTION	QTY.
1	08.605.01	GASKET	1
2	05.281.01	FLAT WASHER M8	10
3	06.966.02	FILLER BREATHER CAP & STRAIN	1
4	46750.01	FILTER ASSEMBLY 125L PARKER	1
5	05.131.01	ADAPTOR 1"BSPx1.1/4"BSP	1
6	05.290.08	BONDED SEAL 1.1/4" BSP	1
7	05.264.01	SETSCREW M8x20	4
8	05.282.01	SPRING WASHER M8	4
9	05.282.02	SPRING WASHER M10	8
10	08.921.01	FLUID LEVEL GAUGE	1
11	05.286.01	NUT M8	10
12	05.286.02	NUT M10	8
13	05.286.09	NUT M5	10
14	8401047	STRAINER	2
15	05.495.01	PLUG 1/2" BSPT	1
16	41.255.01	PLATE - FILLER/FILTER	1
17	05.287.04	SELF-LOCKING NUT M16	3
18	05.292.35	BOLT M16x120	1
19	05.291.35	BOLT M16x50	1
20	08.156.02	SELF ADH. POLY STRIP	1
21	03.100.01	STUD M10x34	4
22	04.282.88	STUD M10 X 23	2
23	05.345.14	SOCKET CSK SCREW M6x16	12
24	30.070.64	NUT NYLOC M6 Z/P	12
25	9353022	M5 SOCKET HEAD C/SK	10
26	45989.02	TANK ASSY - RH FALCON	1
27	47333.02	COVER - TANK RH	1
28	46107.08	PIPE - HYDRAULIC 1" BSP RH	1
29	05.835.01	90 ADAPTOR M/F SWIVEL	1

OIL TANK ASSY LH - 77.109.10

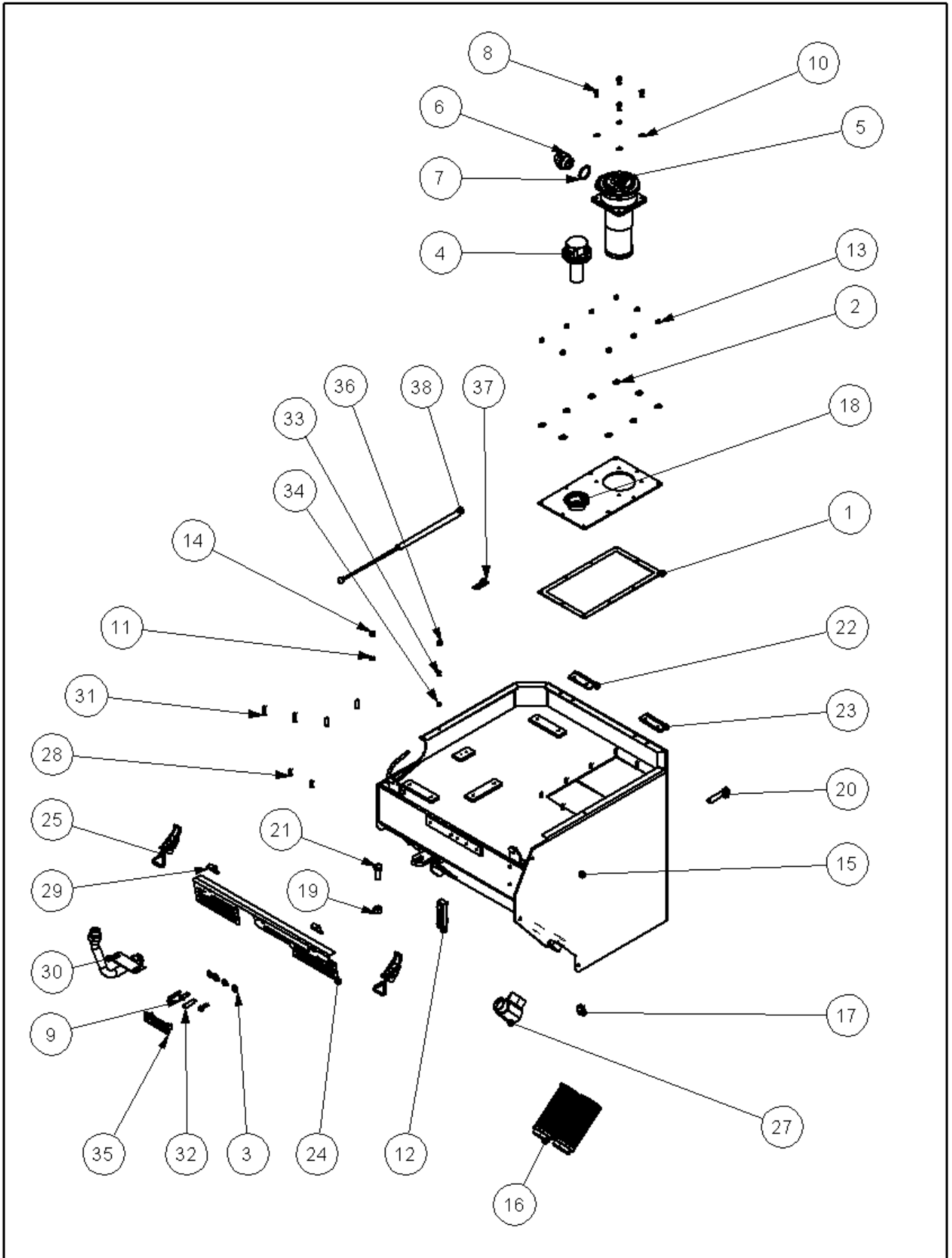


OIL TANK ASSY LH - 77.109.10

OIL TANK ASSY LH - 77.109.10

ITEM NO.	PART NUMBER	DESCRIPTION	QTY.
1	08.605.01	GASKET	1
2	05.281.01	FLAT WASHER M8	10
3	06.966.02	FILLER BREATHER CAP & STRAIN	1
4	46750.01	FILTER ASSEMBLY 125L PARKER	1
5	05.131.01	ADAPTOR 1"BSPx1.1/4"BSP	1
6	05.290.08	BONDED SEAL 1.1/4" BSP	1
7	05.264.01	SETSCREW M8x20	4
8	05.282.01	SPRING WASHER M8	4
9	05.282.02	SPRING WASHER M10	8
10	08.921.01	FLUID LEVEL GAUGE	1
11	05.286.01	NUT M8	10
12	05.286.02	NUT M10	8
13	05.286.09	NUT M5	10
14	45989.01	TANK - OIL LH	1
15	8401047	STRAINER	2
16	05.495.01	PLUG 1/2" BSPT	1
17	41.255.01	PLATE - FILLER/FILTER	1
18	05.287.04	SELF-LOCKING NUT M16	3
19	05.287.01	SELF-LOCKING NUT M8	6
20	05.292.35	BOLT M16x120	1
21	05.291.35	BOLT M16x50	1
22	46065.02	HINGE	1
23	46065.01	HINGE	1
24	47333.01	COVER - TANK LH	1
25	43449.04	FASTENER OVERCENTRE	2
26	08.156.02	SELF ADH. POLY STRIP	1
27	05.835.10	90 ADAPTOR M/F SWIVEL	1
28	05.835.05	90 ADAPTOR M/F SWIVEL	1
29	04.282.42	STUD M10 X 40	2
30	03.100.01	STUD M10x34	6
31	43449.03	TOGGLE CLAMP PLATE	2
32	46107.05	PIPE - HYDRAULIC 1"BSP	1
33	05.345.14	SOCKET CSK SCREW M6x16	8
34	30.070.64	NUT NYLOC M6 Z/P	8
35	46192.01	PUSH ON RETAINER	2
36	9353022	M5 SOCKET HEAD C/SK	10
37	46187.01	BRACKET	1
38	46076.01	MOUNT STAY - TANK GUARD	1
39	46388.01	PLATE - TANK EXTN	1
40	46389.01	PLATE - EXTENSION LH	1

OIL TANK ASSY FAL FRT LH - 77.109.13

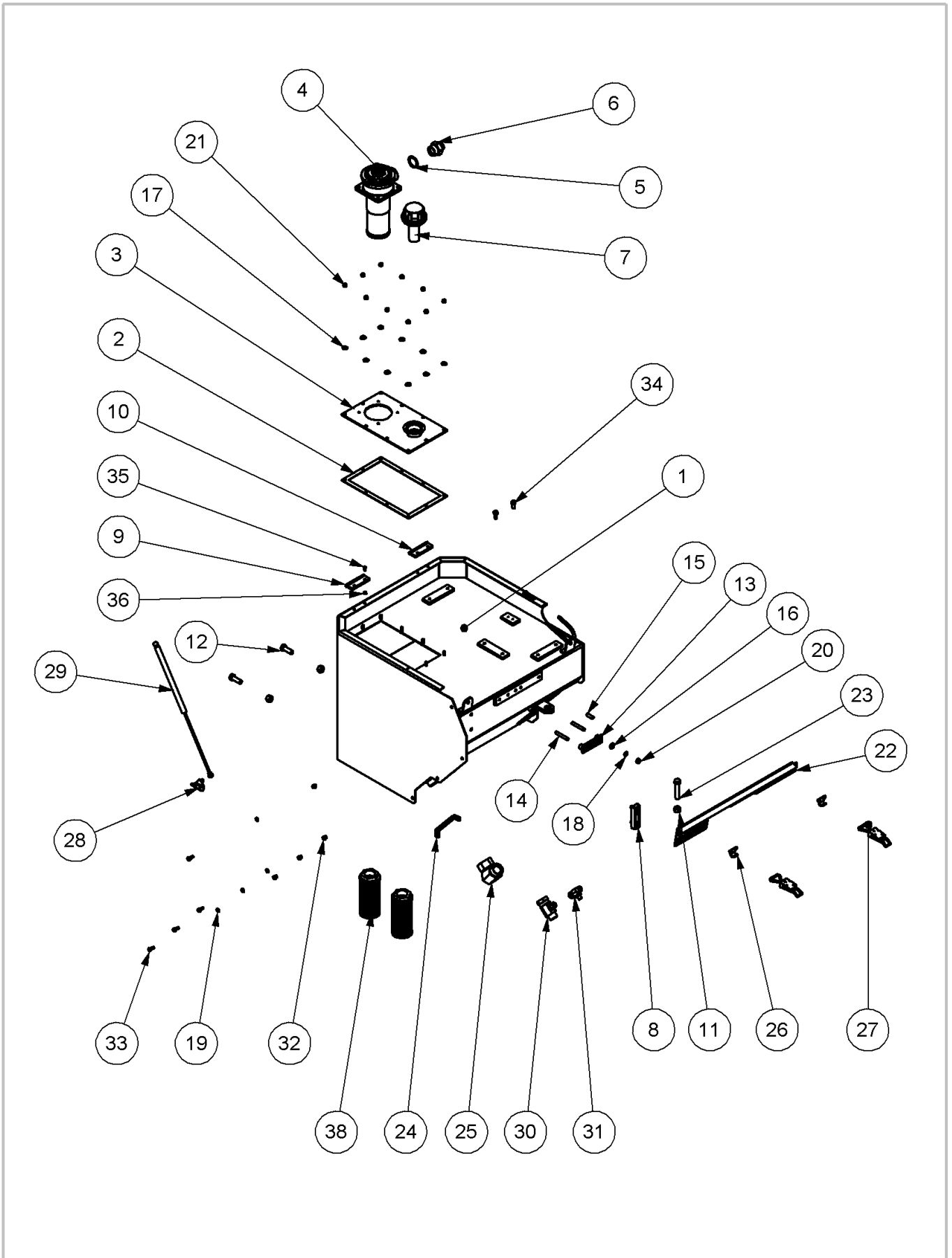


OIL TANK ASSY FAL FRT LH - 77.109.13

OIL TANK ASSY FAL FRT LH - 77.109.13

ITEM NO.	PART NUMBER	DESCRIPTION	QTY.
1	08.605.01	GASKET	1
2	05.281.01	FLAT WASHER M8	10
3	05.281.02	FLAT WASHER M10	4
4	06.966.02	FILLER BREATHER CAP & STRAIN	1
5	46750.01	FILTER ASSEMBLY 125L PARKER	1
6	05.131.01	ADAPTOR 1"BSPx1.1/4"BSP	1
7	05.290.08	BONDED SEAL 1.1/4" BSP	1
8	05.264.01	SETSCREW M8x20	4
9	05.264.12	SETSCREW M10x25	2
10	05.282.01	SPRING WASHER M8	4
11	05.282.02	SPRING WASHER M10	12
12	08.921.01	FLUID LEVEL GAUGE	1
13	05.286.01	NUT M8	10
14	05.286.02	NUT M10	12
15	46706.01	TANK - OIL LH	1
16	8401047	STRAINER	2
17	05.495.01	PLUG 1/2" BSPT	1
18	41.255.01	PLATE - FILLER/FILTER	1
19	05.287.04	SELF-LOCKING NUT M16	3
20	05.292.31	BOLT M16x80	1
21	05.291.34	BOLT M16x45	2
22	46065.02	HINGE	1
23	46065.01	HINGE	1
24	47333.01	COVER - TANK LH	1
25	43449.04	FASTENER OVERCENTRE	2
26	08.156.02	SELF ADH. POLY STRIP	1
27	05.835.10	90 ADAPTOR M/F SWIVEL	1
28	04.282.88	STUD M10 X 23	2
29	43449.03	TOGGLE CLAMP PLATE	2
30	46107.05	PIPE - HYDRAULIC 1"BSP	1
31	03.100.01	STUD M10x34	6
32	04.282.80	STUD M10x50	2
33	05.345.14	SOCKET CSK SCREW M6x16	12
34	30.070.64	NUT NYLOC M6 Z/P	12
35	46070.02	CLAMP - HOSE	1
36	30.216.54	RIVNUT M8	4
37	46765.01	GAS SPRING MTG BRACKET	2
38	46748.01	GAS SPRING ASSY	1

TANK ASSY RH PISTON - 77.109.14

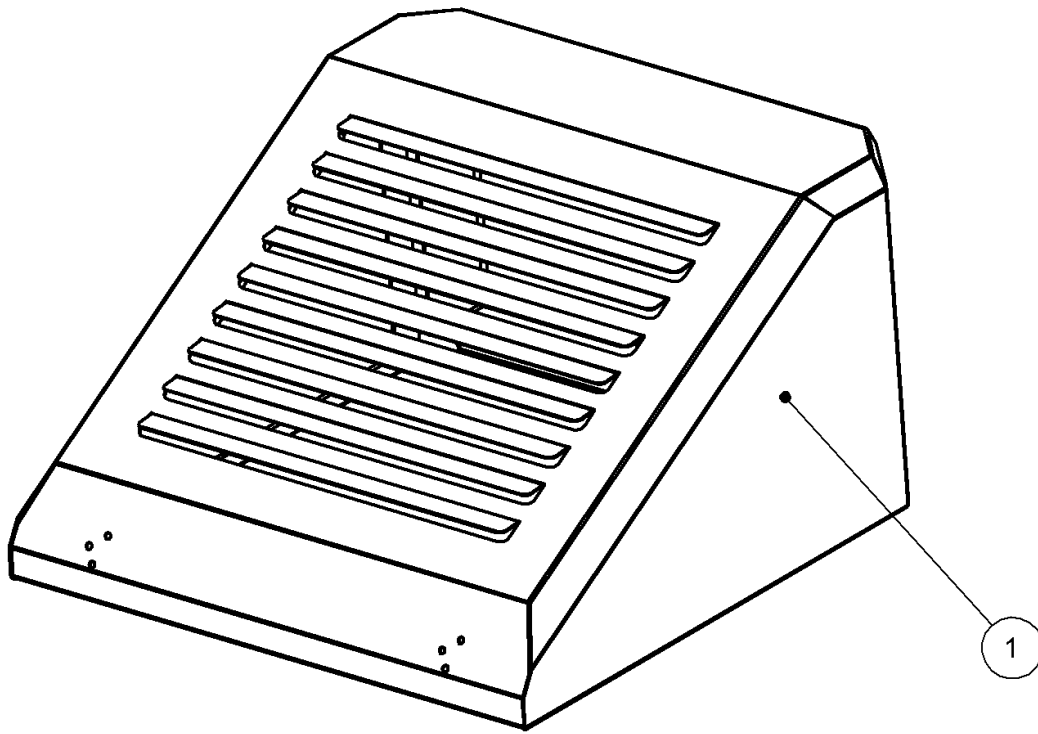


TANK ASSY RH PISTON - 77.109.14

77.109.14 - OIL TANK ASSY RH PISTON

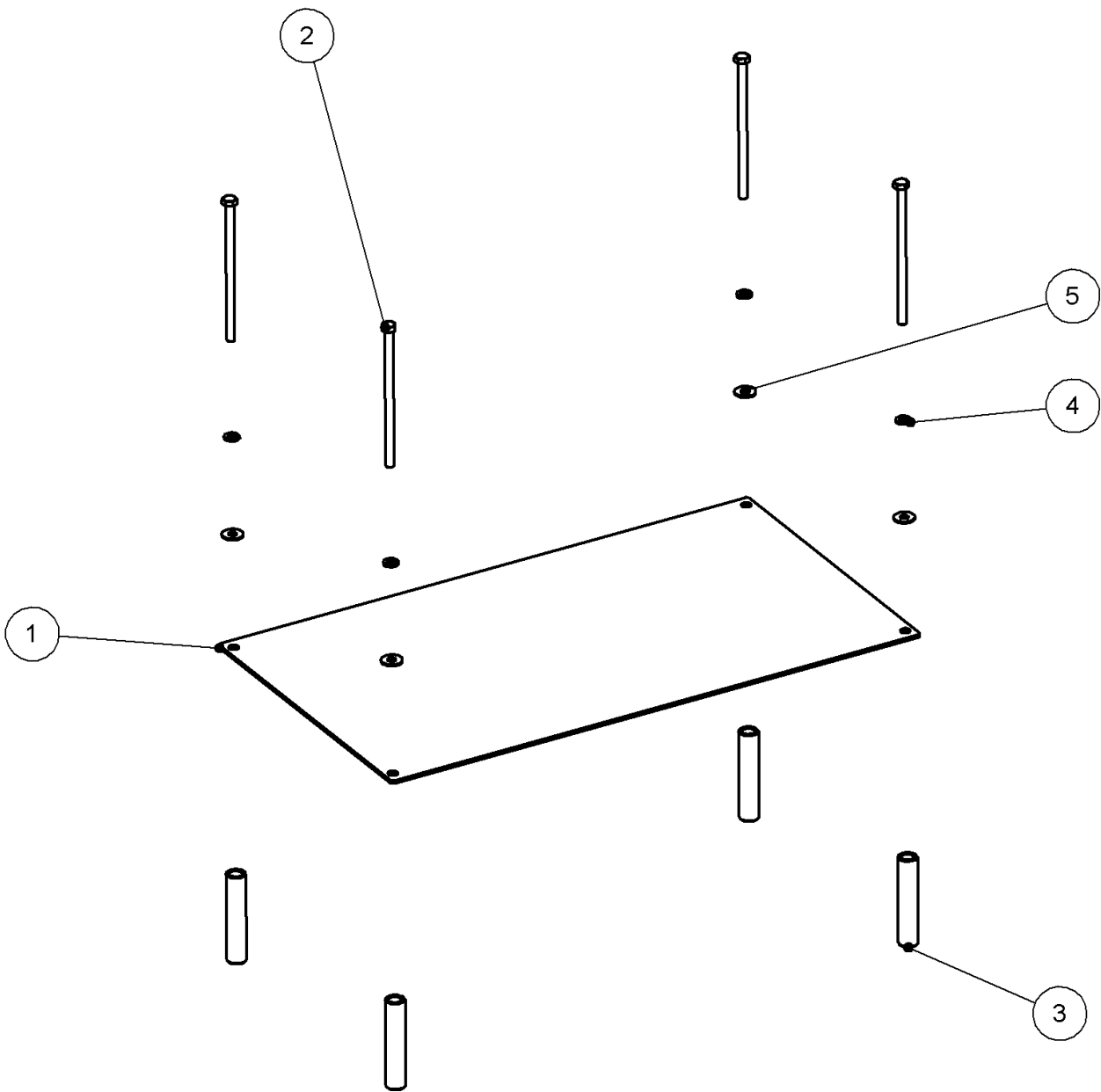
ITEM NO.	PART NUMBER	DESCRIPTION	QTY.
1	46706.02	TANK - OIL RH	1
2	08.605.01	GASKET	1
3	41.255.01	PLATE - FILLER/FILTER	1
4	41.041.03	FILTER ASSY	1
5	05.290.08	BONDED SEAL 1.1/4" BSP	1
6	05.131.01	ADAPTOR 1"BSPx1.1/4"BSP	1
7	06.966.02	FILLER BREATHER CAP & STRAIN	1
8	08.921.01	FLUID LEVEL GAUGE	1
9	46065.02	HINGE	1
10	46065.01	HINGE	1
11	05.287.04	SELF-LOCKING NUT M16	3
12	05.291.34	BOLT M16x45	2
13	46070.02	CLAMP - HOSE	1
14	04.282.76	STUD M10X70	2
15	03.100.01	STUD M10x34	6
16	05.281.02	FLAT WASHER M10	4
17	05.281.01	FLAT WASHER M8	10
18	05.282.02	SPRING WASHER M10	10
19	05.282.01	SPRING WASHER M8	4
20	05.286.02	NUT M10	10
21	05.286.01	NUT M8	10
22	47333.06	COVER TANK RH PISTON	1
23	05.292.31	BOLT M16x80	1
24	03.231.13	RUBBER EDGING	1
25	05.835.10	90 ADAPTOR M/F SWIVEL	1
26	43449.03	TOGGLE CLAMP PLATE	2
27	43449.04	FASTENER OVERCENTRE	2
28	46765.01	GAS SPRING MTG BRACKET	2
29	46748.01	GAS SPRING ASSY	1
30	04.056.34	TEE ADAPTOR FMM	1
31	04.056.40	TEE ADAPTOR FMM	1
32	30.216.54	RIVNUT M8	4
33	05.264.01	SETSCREW M8x20	4
34	05.264.12	SETSCREW M10x25	2
35	05.345.14	SOCKET CSK SCREW M6x16	12
36	30.070.64	NUT NYLOC M6 Z/P	12
37	08.156.02	SELF ADH. POLY STRIP	1
38	8401047	STRAINER	2

VENTED TANK LID-COOLER ASSY - 77.410.02



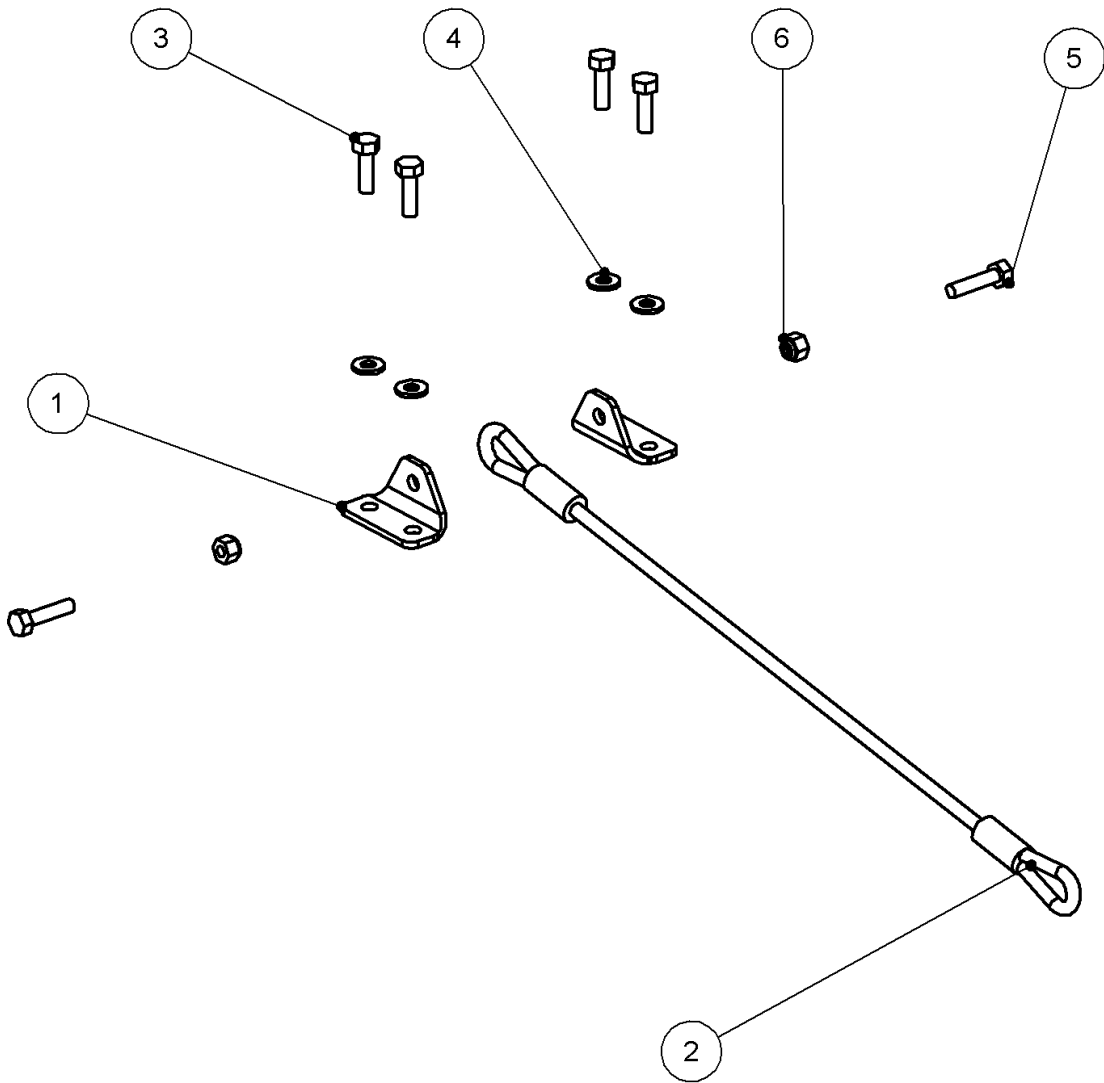
ITEM NO.	PART NUMBER	DESCRIPTION	QTY.
1	47320.04	VENTED TANK LID	1

COVER PLATE ASSY - 77.410.03



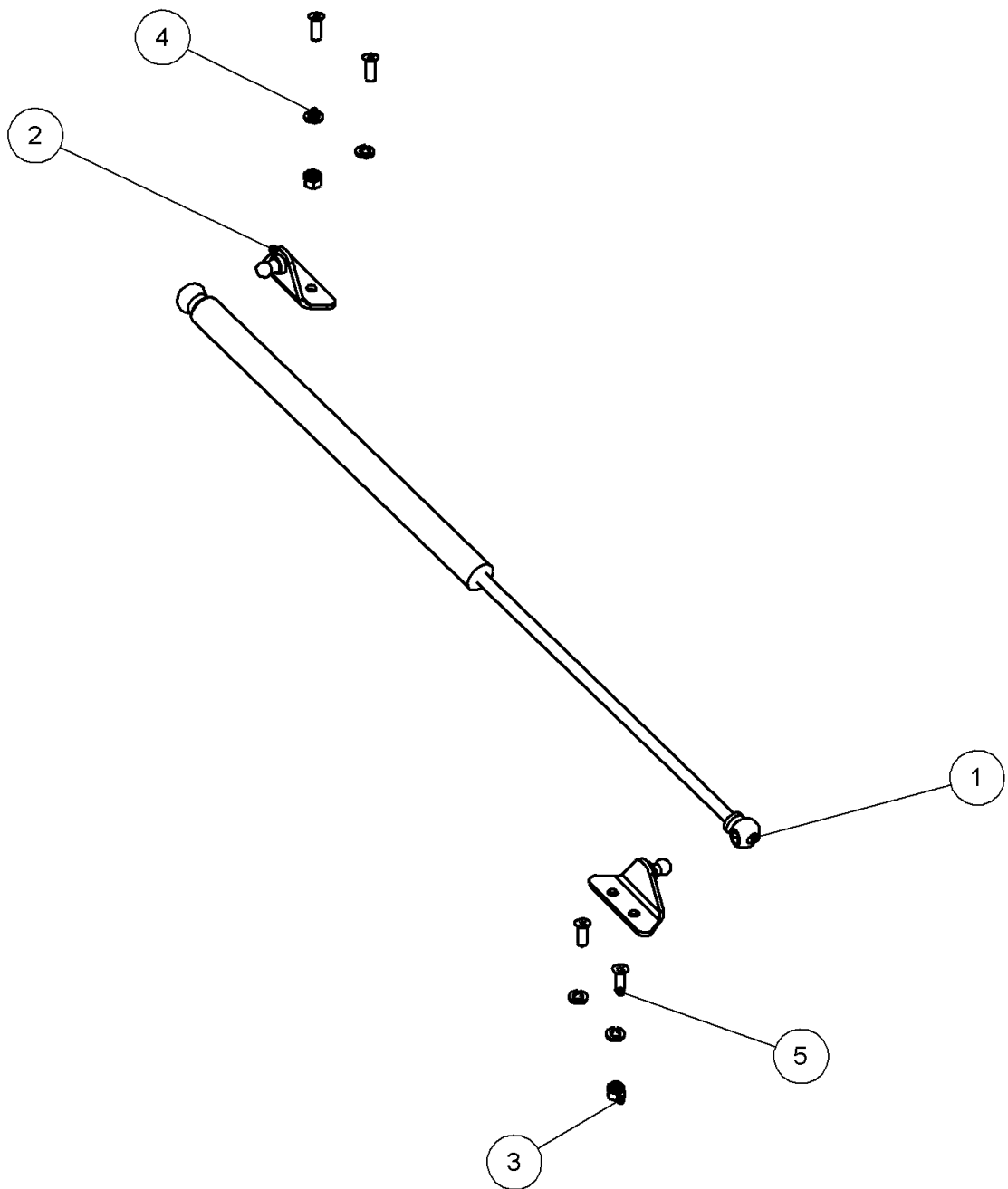
ITEM NO.	PART NUMBER	DESCRIPTION	QTY.
1	47382.01	BLANKING PLATE	1
2	05.292.08	BOLT M8x150	4
3	47365.01	SPACER	4
4	05.282.01	SPRING WASHER M8	4
5	05.281.01	FLAT WASHER M8	4

CABLE BRACKETS & STAY - 77.305.20



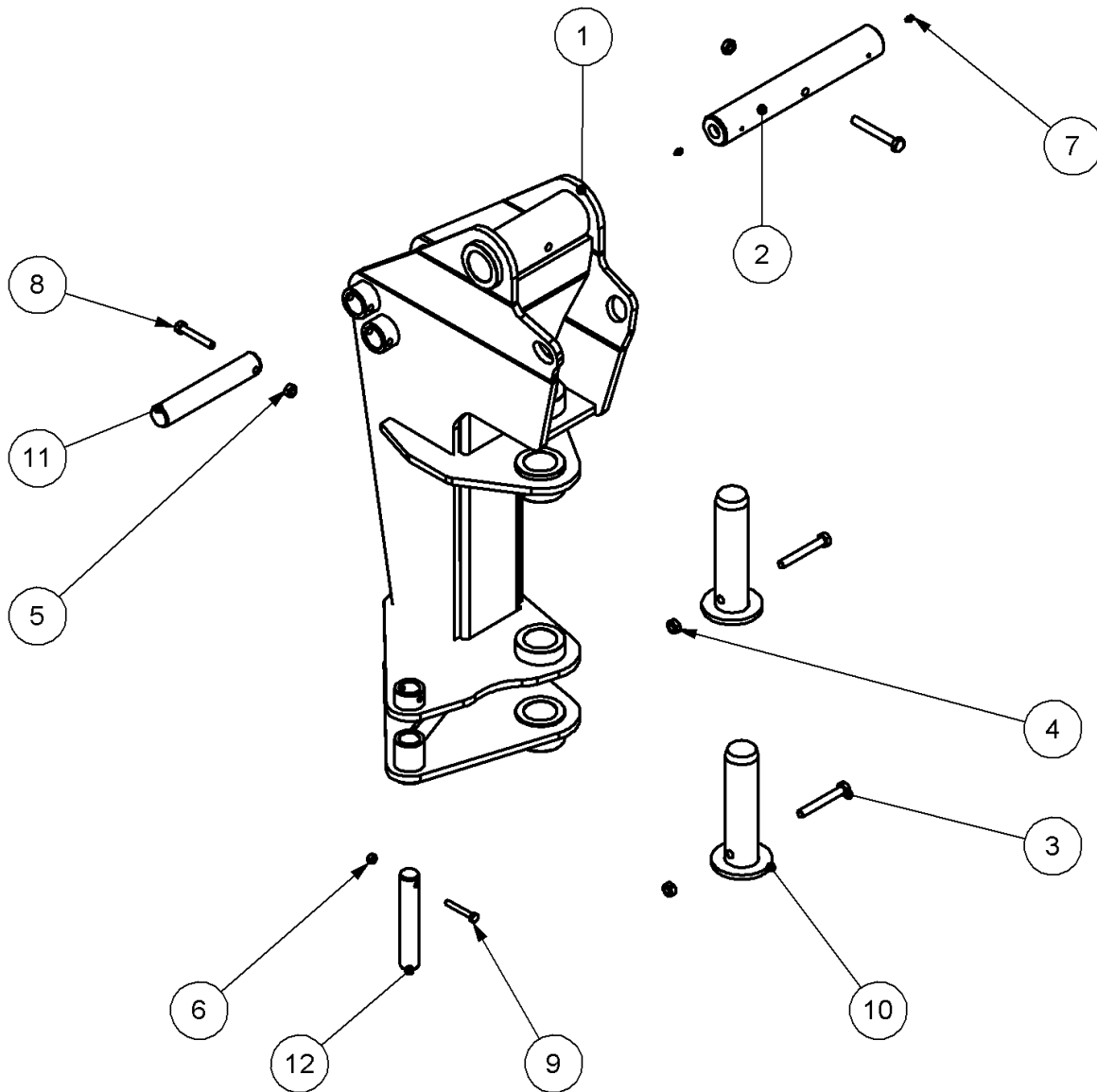
ITEM NO.	PART NUMBER	DESCRIPTION	QTY.
1	46187.01	BRACKET	2
2	6770939	CABLE 380	1
3	30.068.83	SETSCREW M6 X 20MM	4
4	05.281.10	FLAT WASHER M6	10
5	30.068.84	M6 BOLTS	2
6	30.070.64	NUT NYLOC M6 Z/P	6

GAS STRUT FOR LID - 77.305.21



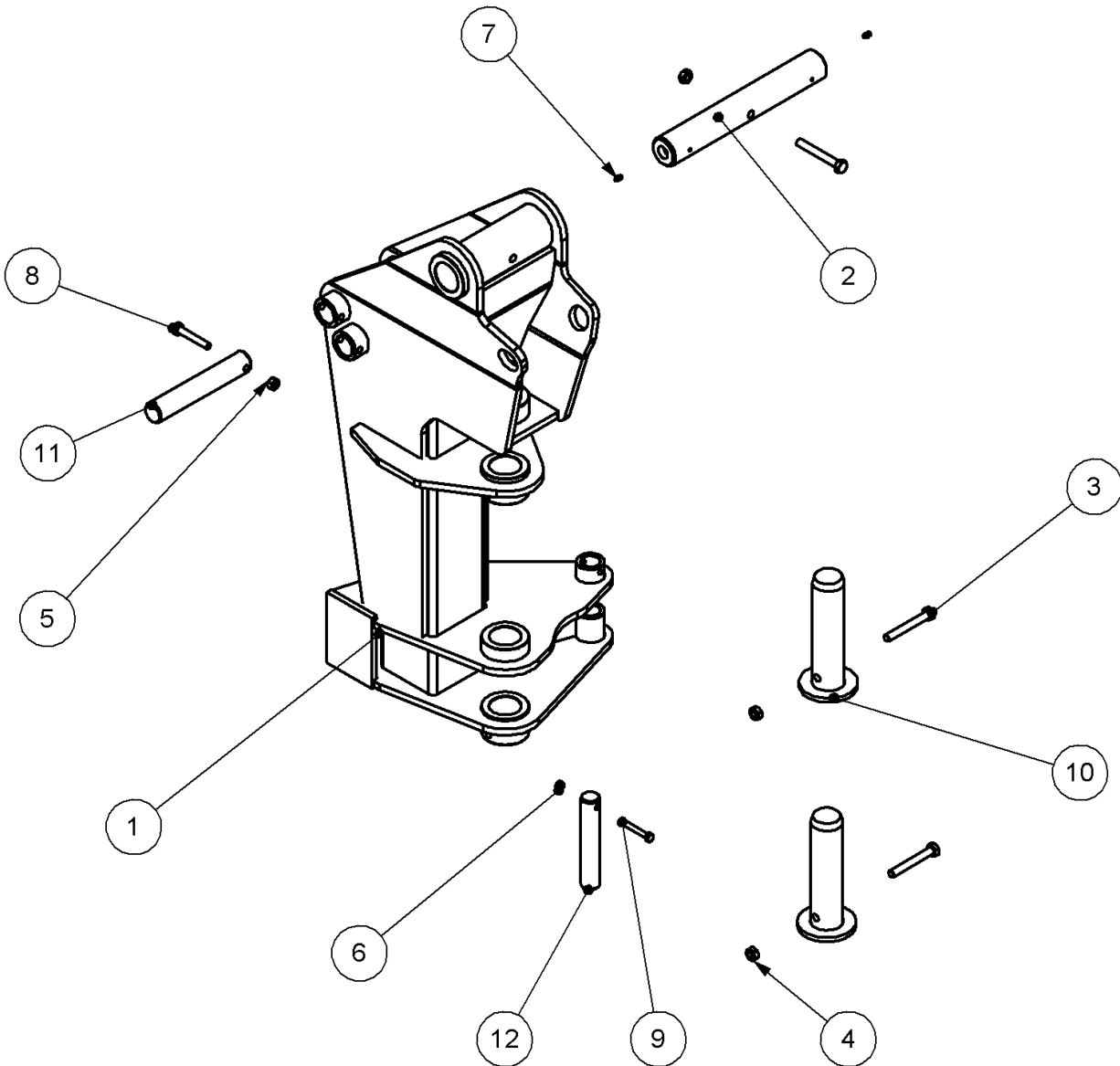
ITEM NO.	PART NUMBER	DESCRIPTION	QTY.
1	46748.01	GAS SPRING ASSY	1
2	46765.01	GAS SPRING MTG BRACKET	2
3	30.070.64	NUT NYLOC M6 Z/P	2
4	05.282.07	SPRING WASHER M6	4
5	05.345.14	SOCKET CSK SCREW M6x16	4

KINGPOST ASSY LH NON PARA - 77.105.01



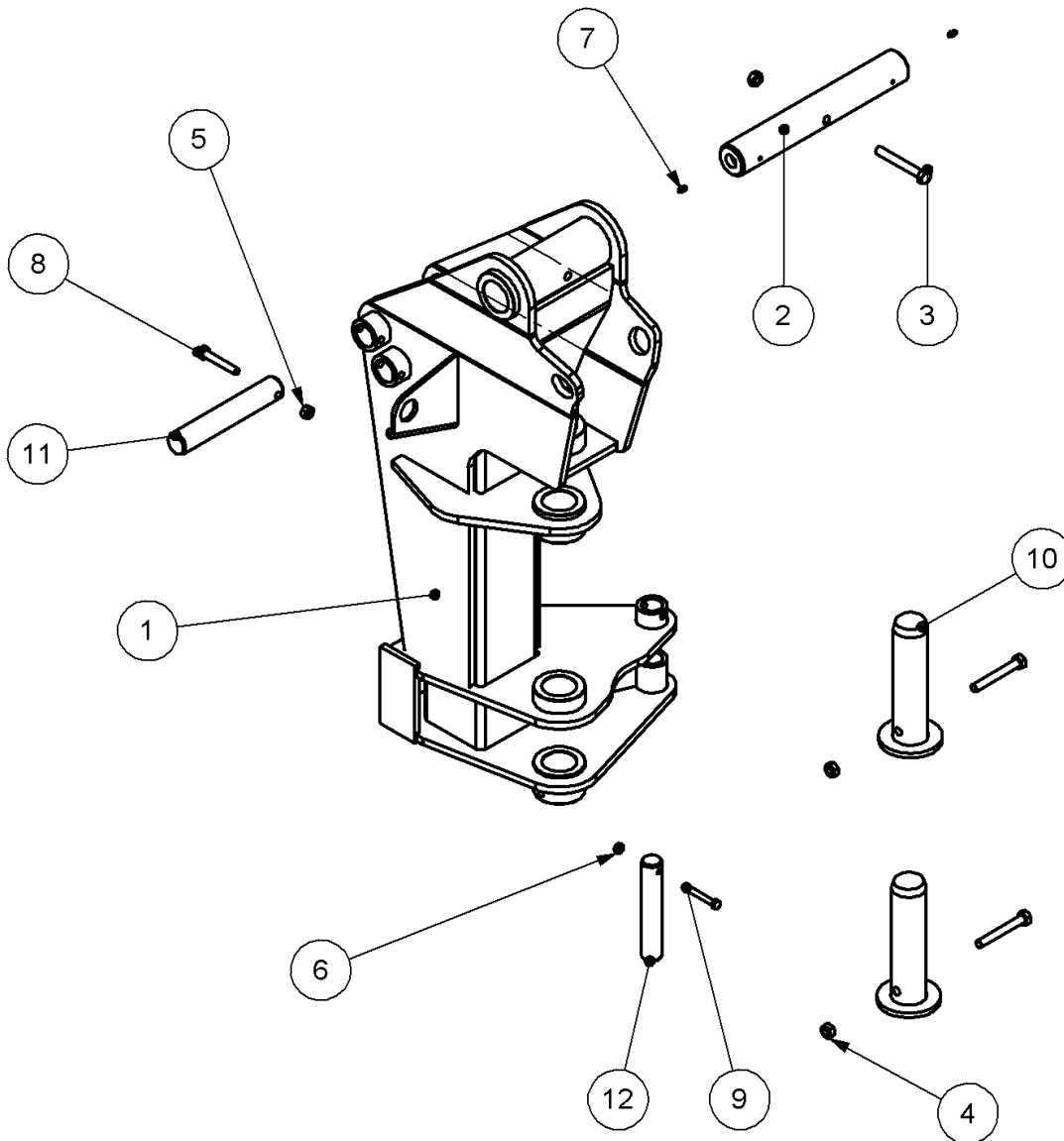
ITEM NO.	PART NUMBER	DESCRIPTION	QTY.
1	45924.01	KINGPOST LH	1
2	03.657.24	PIN 50 DIA - 341	1
3	05.292.22	BOLT M12x90	3
4	05.287.03	SELF-LOCKING NUT M12	3
5	05.287.02	SELF-LOCKING NUT M10	1
6	05.287.01	SELF-LOCKING NUT M8	1
7	05.953.01	GREASE NIPPLE M6xStr	2
8	05.291.18	BOLT M10x65	1
9	05.291.06	BOLT M8x55	1
10	45965.01	PIN - KINGPOST 50MM DIA	2
11	03.655.59	PIN 35 DIA - 204	1
12	03.654.89	PIN 30 DIA X 170	1

KINGPOST ASSY RH NON PARA - 77.105.02



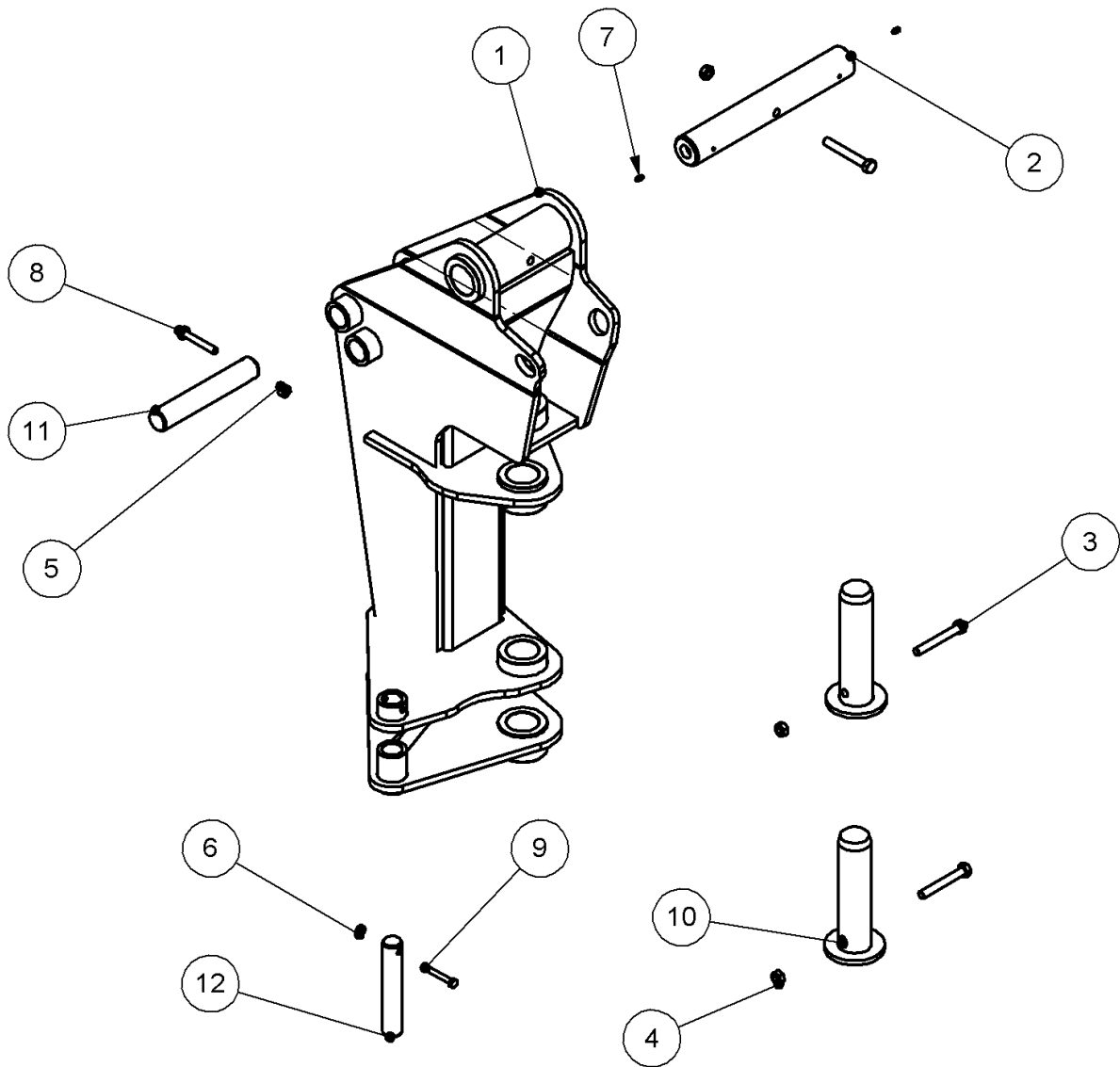
ITEM NO.	PART NUMBER	DESCRIPTION	QTY.
1	45924.02	KINGPOST - RH	1
2	03.657.24	PIN 50 DIA - 341	1
3	05.292.22	BOLT M12x90	3
4	05.287.03	SELF-LOCKING NUT M12	3
5	05.287.02	SELF-LOCKING NUT M10	1
6	05.287.01	SELF-LOCKING NUT M8	1
7	05.953.01	GREASE NIPPLE M6xStr	2
8	05.291.18	BOLT M10x65	1
9	05.291.06	BOLT M8x55	1
10	45965.01	PIN - KINGPOST 50MM DIA	2
11	03.655.59	PIN 35 DIA - 204	1
12	03.654.89	PIN 30 DIA X 170	1

KINGPOST ASSY RH NP PISTON - 77.105.12



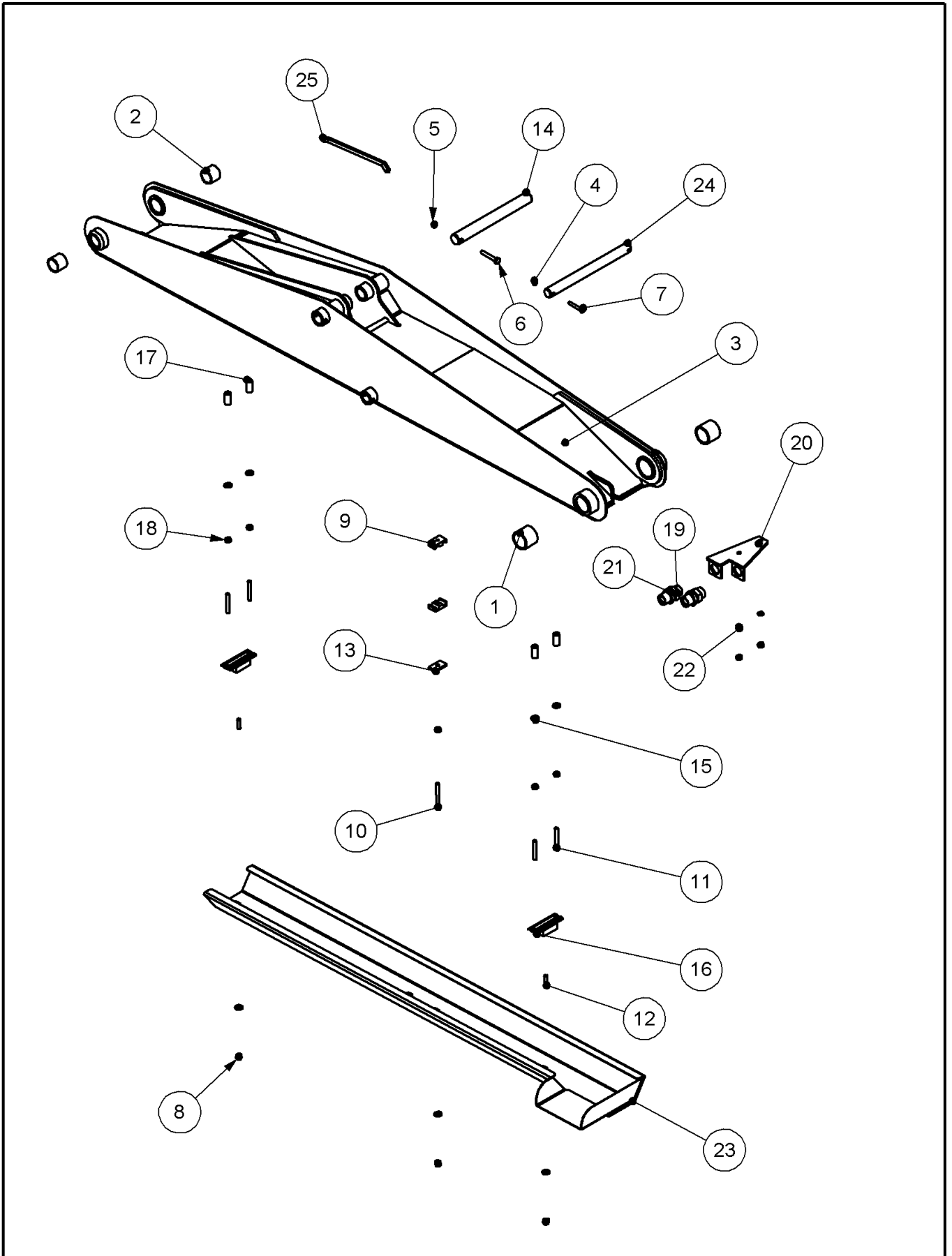
ITEM NO.	PART NUMBER	DESCRIPTION	QTY.
1	47135.02	KINGPOST FALCON FWD PISTON	1
2	03.657.24	PIN 50 DIA - 341	1
3	05.292.22	BOLT M12x90	3
4	05.287.03	SELF-LOCKING NUT M12	3
5	05.287.02	SELF-LOCKING NUT M10	1
6	05.287.01	SELF-LOCKING NUT M8	1
7	05.953.01	GREASE NIPPLE M6xStr	2
8	05.291.18	BOLT M10x65	1
9	05.291.06	BOLT M8x55	1
10	45965.01	PIN - KINGPOST 50MM DIA	2
11	03.655.59	PIN 35 DIA - 204	1
12	03.654.89	PIN 30 DIA X 170	1

KINGPOST ASSY LH NP PISTON - 77.105.13



ITEM NO.	PART NUMBER	DESCRIPTION	QTY.
1	47135.01	FALCON PISTN KP	1
2	03.657.24	PIN 50 DIA - 341	1
3	05.292.22	BOLT M12x90	3
4	05.287.03	SELF-LOCKING NUT M12	3
5	05.287.02	SELF-LOCKING NUT M10	1
6	05.287.01	SELF-LOCKING NUT M8	1
7	05.953.01	GREASE NIPPLE M6xStr	2
8	05.291.18	BOLT M10x65	1
9	05.291.06	BOLT M8x55	1
10	45965.01	PIN - KINGPOST 50MM DIA	2
11	03.655.59	PIN 35 DIA - 204	1
12	03.654.89	PIN 30 DIA X 170	1

FIRST ARM ASSY LH 5 - 77.115.01

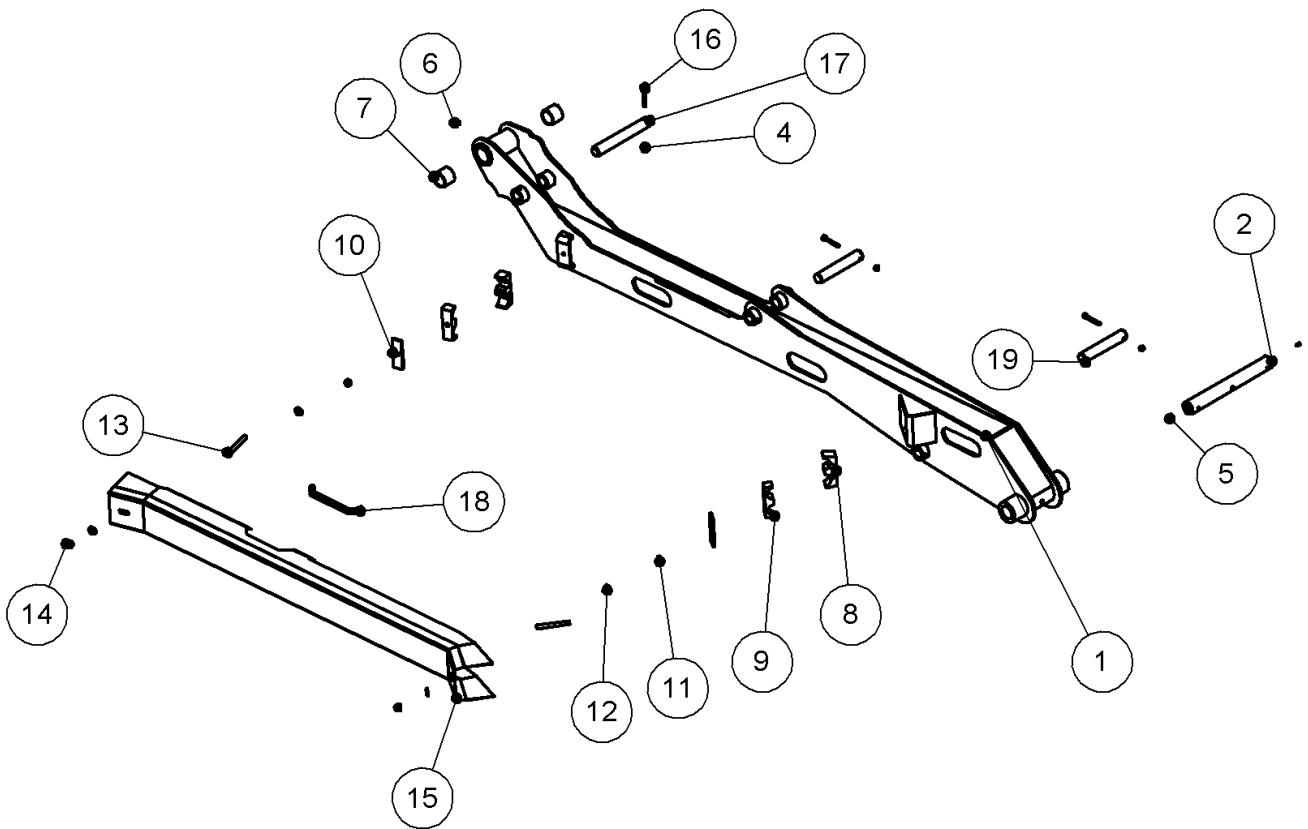


FIRST ARM ASSY LH 5 - 77.115.01

FIRST ARM ASSY LH 5 - 77.115.01

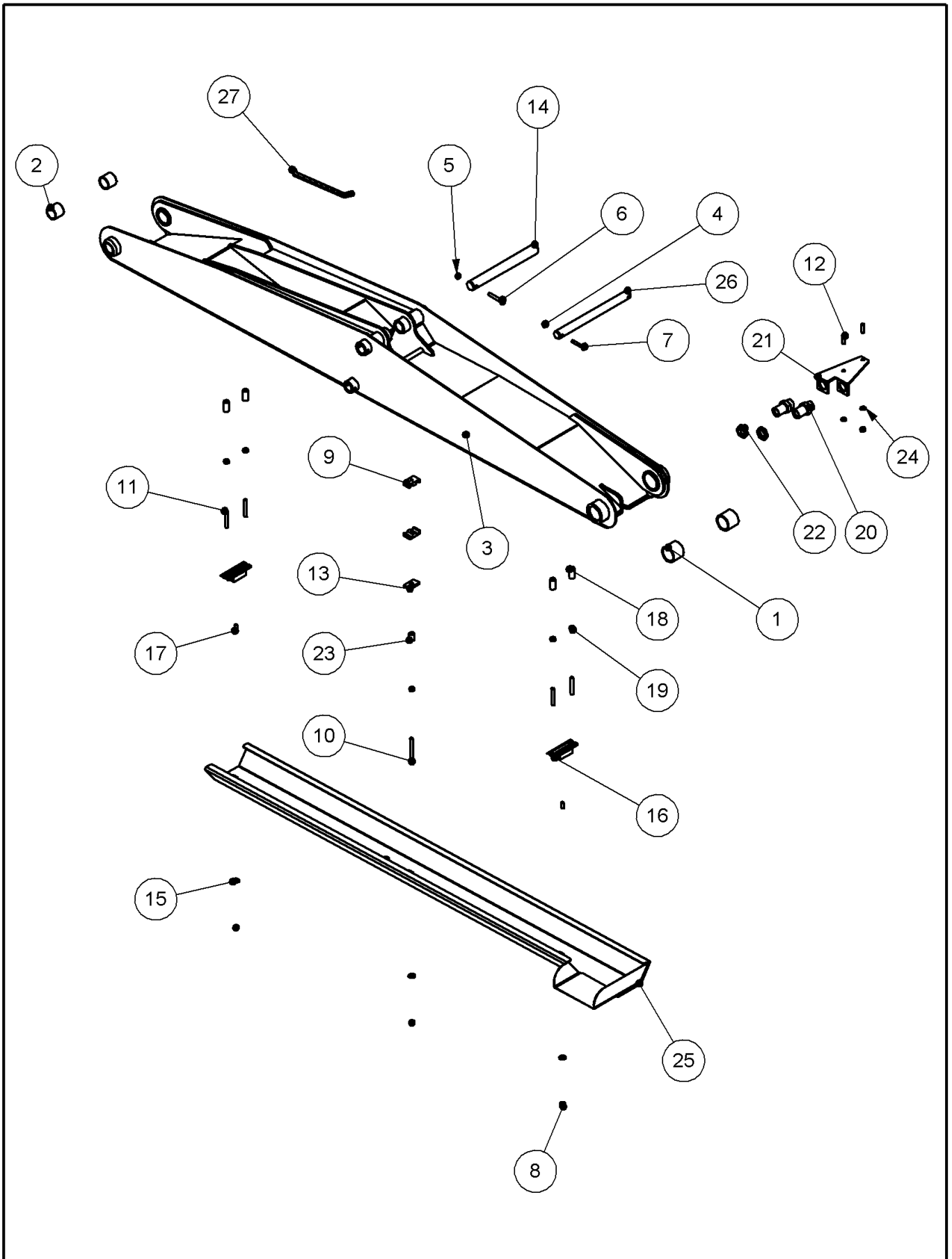
ITEM NO.	PART NUMBER	DESCRIPTION	QTY.
1	08.297.01	BUSH 60x50x50	2
2	08.297.02	BUSH 47x40x40	2
3	45976.01	ARM - FIRST 5	1
4	05.287.01	SELF-LOCKING NUT M8	1
5	05.287.02	SELF-LOCKING NUT M10	1
6	05.291.18	BOLT M10x65	1
7	05.291.06	BOLT M8x55	1
8	9100025	M10 DOME NUT	3
9	06.430.02	HOSE CLAMP 14 x 14	2
10	04.282.09	STUDM10x85	1
11	04.282.76	STUD M10X70	4
12	03.100.01	STUD M10x34	2
13	06.418.06	FLAT	1
14	03.655.62	PIN 35 DIA X 324	1
15	05.281.02	FLAT WASHER M10	7
16	46070.01	CLAMP - HOSE	2
17	45529.01	SPACER	4
18	05.286.02	NUT M10	7
19	08.128.03-32		2
20	46099.01	BRACKET - HOSE MOUNTING LH	1
21	08.128.03-31	NUT 1" BSP THIN	2
22	05.282.02	SPRING WASHER M10	2
23	46101.01	GUARD - HOSE FIRST ARM	1
24	03.654.92	PIN 30 DIA X 355	1
25	03.231.11	RUBBER EDGING	1
26	06.430.07	CLAMP - HOSE	2

2ND ARM ASSY LH FALCON - 77.112.01



ITEM NO.	PART NUMBER	DESCRIPTION	QTY.
1	45969.03	ARM - LH 5.0	1
2	43292.02	PIN Ø40 -328 LONG	1
3	05.287.02	SELF-LOCKING NUT M10	1
4	05.287.01	SELF-LOCKING NUT M8	3
5	05.953.01	GREASE NIPPLE M6xStr	2
6	05.963.04	GREASE NIPPLE M10x90 deg	1
7	08.297.02	BUSH 47x40x40	2
8	45630.01	HOSE CLAMP-PLASTIC	2
9	30.217.76	30.217.76	2
10	06.418.05	CLAMP PLATE 95 x 6	2
11	05.286.02	NUT M10	2
12	05.281.02	FLAT WASHER M10	4
13	04.282.84	STUD M10X95	2
14	9100025	M10 DOME NUT	2
15	45972.03	GUARD - HOSE 2ND ARM	1
16	05.291.06	BOLT M8x55	3
17	03.654.79	PIN 30 DIA X 214	1
18	03.231.13	RUBBER EDGING	1
19	03.654.89	PIN 30 DIA X 170	2

ARM ASSY FIRST LH 5. - 77.115.03

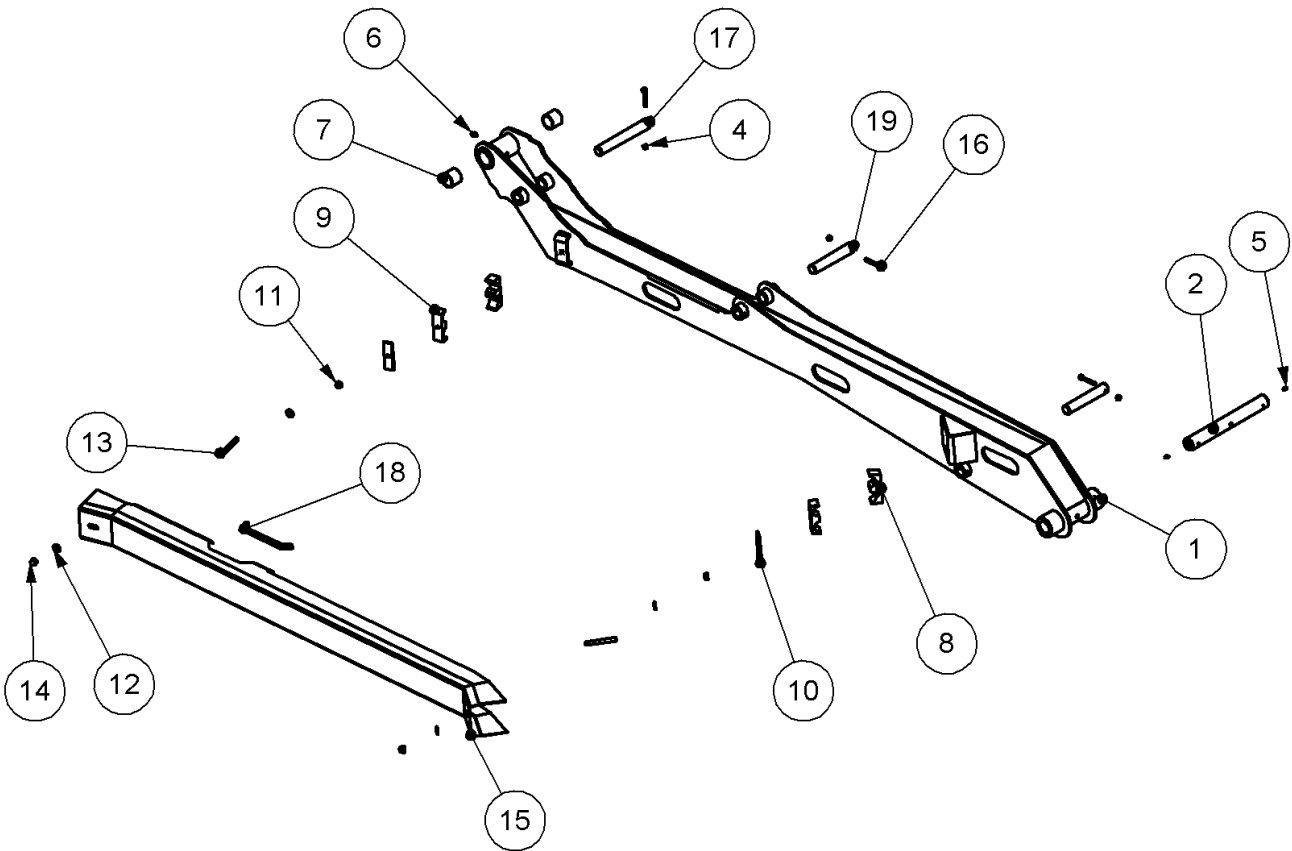


ARM ASSY FIRST LH 5. - 77.115.03

ARM ASSY FIRST LH 5. - 77.115.03

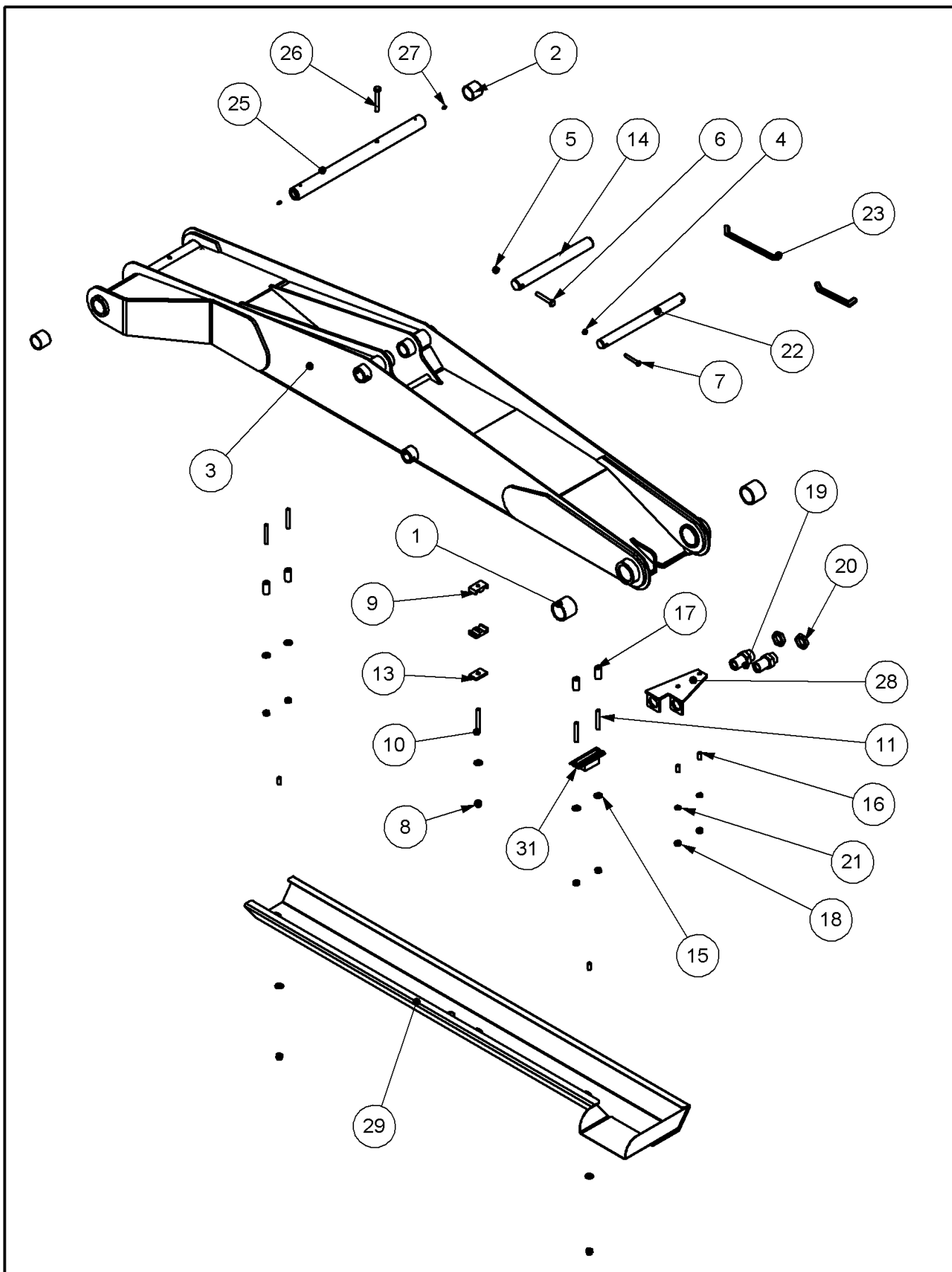
ITEM NO.	PART NUMBER	DESCRIPTION	QTY.
1	08.297.01	BUSH 60x50x50	2
2	08.297.02	BUSH 47x40x40	2
3	46105.01	ARM - FIRST 5.5	1
4	05.287.01	SELF-LOCKING NUT M8	1
5	05.287.02	SELF-LOCKING NUT M10	1
6	05.291.18	BOLT M10x65	1
7	05.291.06	BOLT M8x55	1
8	9100025	M10 DOME NUT	3
9	06.430.02	HOSE CLAMP 14 x 14	2
10	04.282.84	STUD M10X95	1
11	04.282.76	STUD M10X70	4
12	03.100.01	STUD M10x34	2
13	06.418.06	FLAT	1
14	03.655.62	PIN 35 DIA X 324	1
15	05.281.02	FLAT WASHER M10	3
16	46070.01	CLAMP - HOSE	2
17	04.282.88	STUD M10 X 23	2
18	45529.01	SPACER	4
19	05.286.02	NUT M10	6
20	08.128.03-32		2
21	46099.01	BRACKET - HOSE MOUNTING LH	1
22	08.128.03-31	NUT 1" BSP THIN	2
23	46100.01	SPACER	1
24	05.282.02	SPRING WASHER M10	6
25	46104.01	GUARD - HOSE FIRST ARM 5.5 LH	1
26	03.654.92	PIN 30 DIA X 355	1
27	03.231.11	RUBBER EDGING	1
28	06.430.07	CLAMP - HOSE	2

ARM ASSY 2ND LH 5.5 - 77.112.03



ITEM NO.	PART NUMBER	DESCRIPTION	QTY.
1	46085.03	ARM - SECOND LH 5.5	1
2	43292.02	PIN Ø40 -328 LONG	1
3	05.287.02	SELF-LOCKING NUT M10	1
4	05.287.01	SELF-LOCKING NUT M8	3
5	05.953.01	GREASE NIPPLE M6xStr	2
6	05.963.04	GREASE NIPPLE M10x90 deg	1
7	08.297.02	BUSH 47x40x40	2
8	45630.01	HOSE CLAMP-PLASTIC	2
9	30.217.76	30.217.76	2
10	06.418.05	CLAMP PLATE 95 x 6	2
11	05.286.02	NUT M10	2
12	05.281.02	FLAT WASHER M10	4
13	04.282.84	STUD M10X95	2
14	9100025	M10 DOME NUT	2
15	46086.03	GUARD HOSE 2ND ARM LH	1
16	05.291.06	BOLT M8x55	3
17	03.654.79	PIN 30 DIA X 214	1
18	03.231.13	RUBBER EDGING	1
19	03.654.89	PIN 30 DIA X 170	2

ARM ASSY FIRST LH 5 - 77.115.13

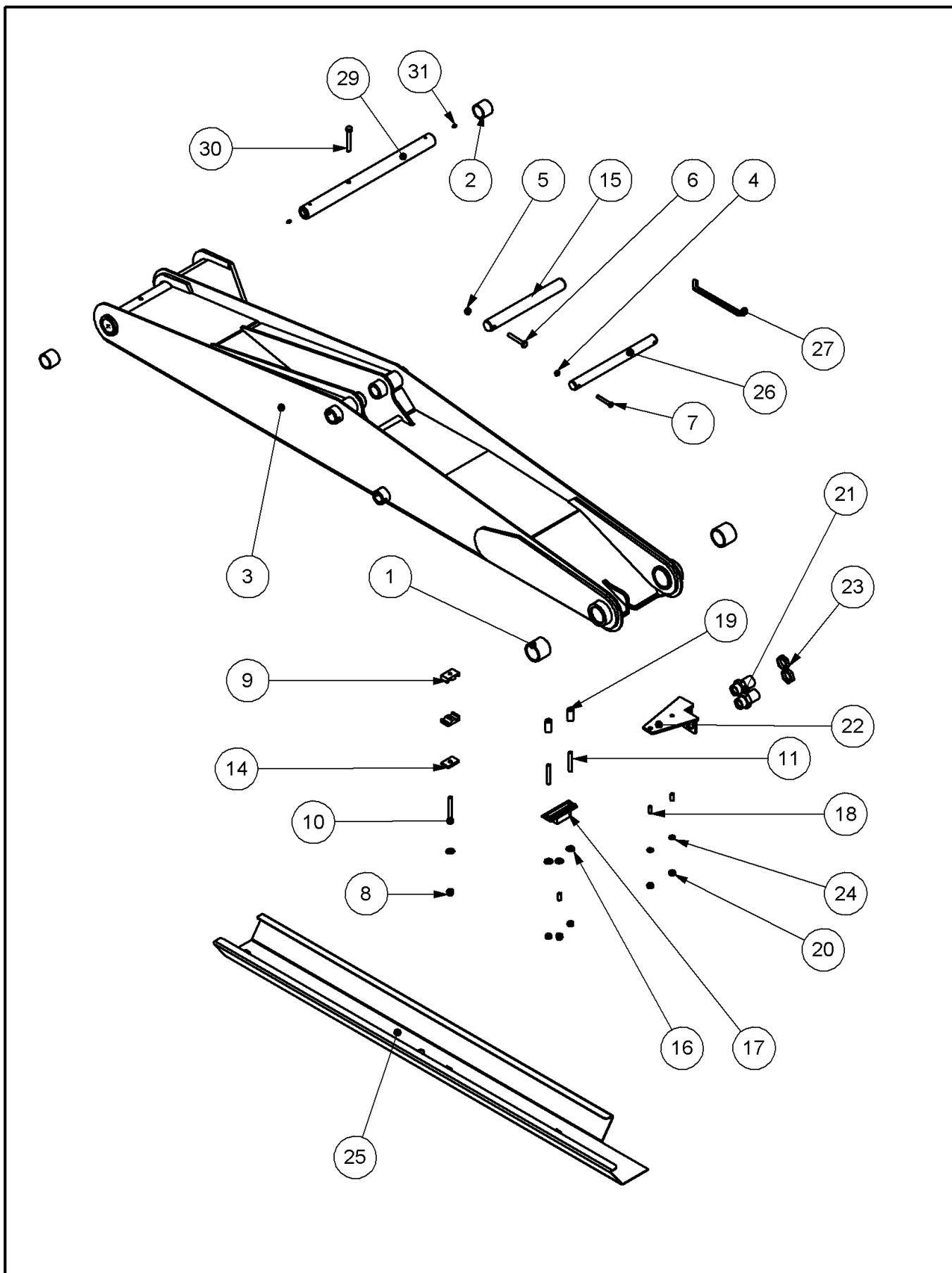


ARM ASSY FIRST LH 5 - 77.115.13

ARM ASSY FIRST LH 5 FWD - 77.115.13

ITEM NO.	PART NUMBER	DESCRIPTION	QTY.
1	08.297.01	BUSH 60x50x50	2
2	08.297.02	BUSH 47x40x40	2
3	46234.01	ARM - FIRST FOR 5	1
4	05.287.01	SELF-LOCKING NUT M8	1
5	05.287.02	SELF-LOCKING NUT M10	2
6	05.291.18	BOLT M10x65	1
7	05.291.06	BOLT M8x55	1
8	9100025	M10 DOME NUT	3
9	06.430.02	HOSE CLAMP 14 x 14	4
10	04.282.09	STUDM10x85	1
11	04.282.76	STUD M10X70	4
12	03.100.01	STUD M10x34	2
13	06.418.06	FLAT	1
14	03.655.62	PIN 35 DIA X 324	1
15	05.281.02	FLAT WASHER M10	7
16	04.282.88	STUD M10 X 23	4
17	45529.01	SPACER	4
18	05.286.02	NUT M10	7
19	08.128.03-32		2
20	08.128.03-31	NUT 1" BSP THIN	2
21	05.282.02	SPRING WASHER M10	2
22	03.654.92	PIN 30 DIA X 355	1
23	03.231.11	RUBBER EDGING	1
24	06.430.07	CLAMP - HOSE	2
25	43292.32	PIN 40 DIA X 557	1
26	05.292.11	BOLT M10x80	1
27	05.953.01	GREASE NIPPLE M6xStr	2
28	46099.01	BRACKET - HOSE MOUNTING LH	1
29	46101.01	GUARD - HOSE FIRST ARM	1
30	03.231.12	RUBBER EDGING	1
31	46070.01	CLAMP - HOSE	2

ARM ASSY FIRST RH 5 FWD - 77.115.14

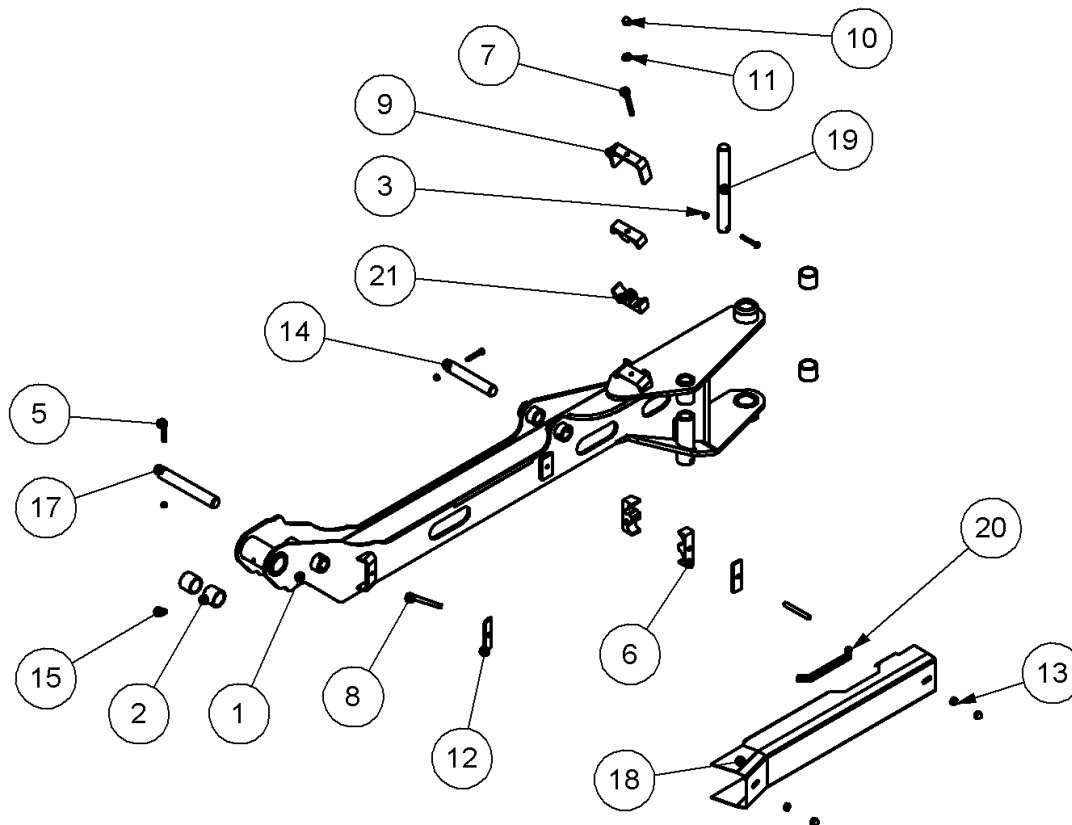


ARM ASSY FIRST RH 5 FWD - 77.115.14

ARM ASSY FIRST RH 5 FWD - 77.115.14

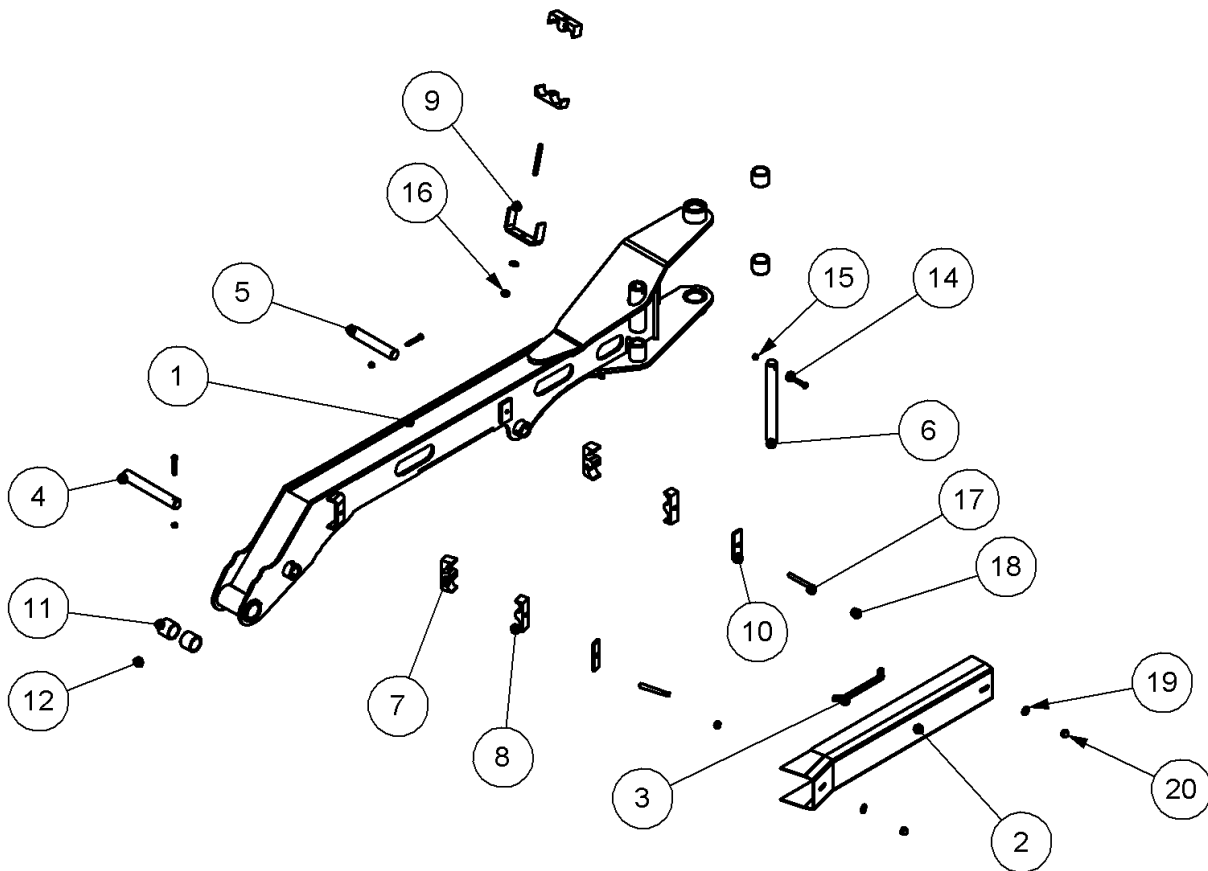
ITEM NO.	PART NUMBER	DESCRIPTION	QTY.
1	08.297.01	BUSH 60x50x50	2
2	08.297.02	BUSH 47x40x40	2
3	46234.02	ARM - FIRST 5 RH FWD	1
4	05.287.01	SELF-LOCKING NUT M8	1
5	05.287.02	SELF-LOCKING NUT M10	2
6	05.291.18	BOLT M10x65	1
7	05.291.06	BOLT M8x55	1
8	9100025	M10 DOME NUT	3
9	06.430.02	HOSE CLAMP 14 x 14	4
10	04.282.09	STUDM10x85	1
11	04.282.76	STUD M10X70	4
12	03.100.01	STUD M10x34	2
13	04.282.84	STUD M10X95	1
14	06.418.06	FLAT	1
15	03.655.62	PIN 35 DIA X 324	1
16	05.281.02	FLAT WASHER M10	7
17	46070.01	CLAMP - HOSE	2
18	04.282.88	STUD M10 X 23	4
19	45529.01	SPACER	4
20	05.286.02	NUT M10	7
21	08.128.03-32		2
22	46099.02	BRACKET - HOSE MOUNTING RH	1
23	08.128.03-31	NUT 1" BSP THIN	2
24	05.282.02	SPRING WASHER M10	2
25	46101.02	GUARD - HOSE FIRST ARM RH	1
26	03.654.92	PIN 30 DIA X 355	1
27	03.231.11	RUBBER EDGING	1
28	06.430.07	CLAMP - HOSE	2
29	43292.32	PIN 40 DIA X 557	1
30	05.292.11	BOLT M10x80	1
31	05.953.01	GREASE NIPPLE M6xStr	2

ARM ASSY 2ND LH 5.0 - 77.112.11



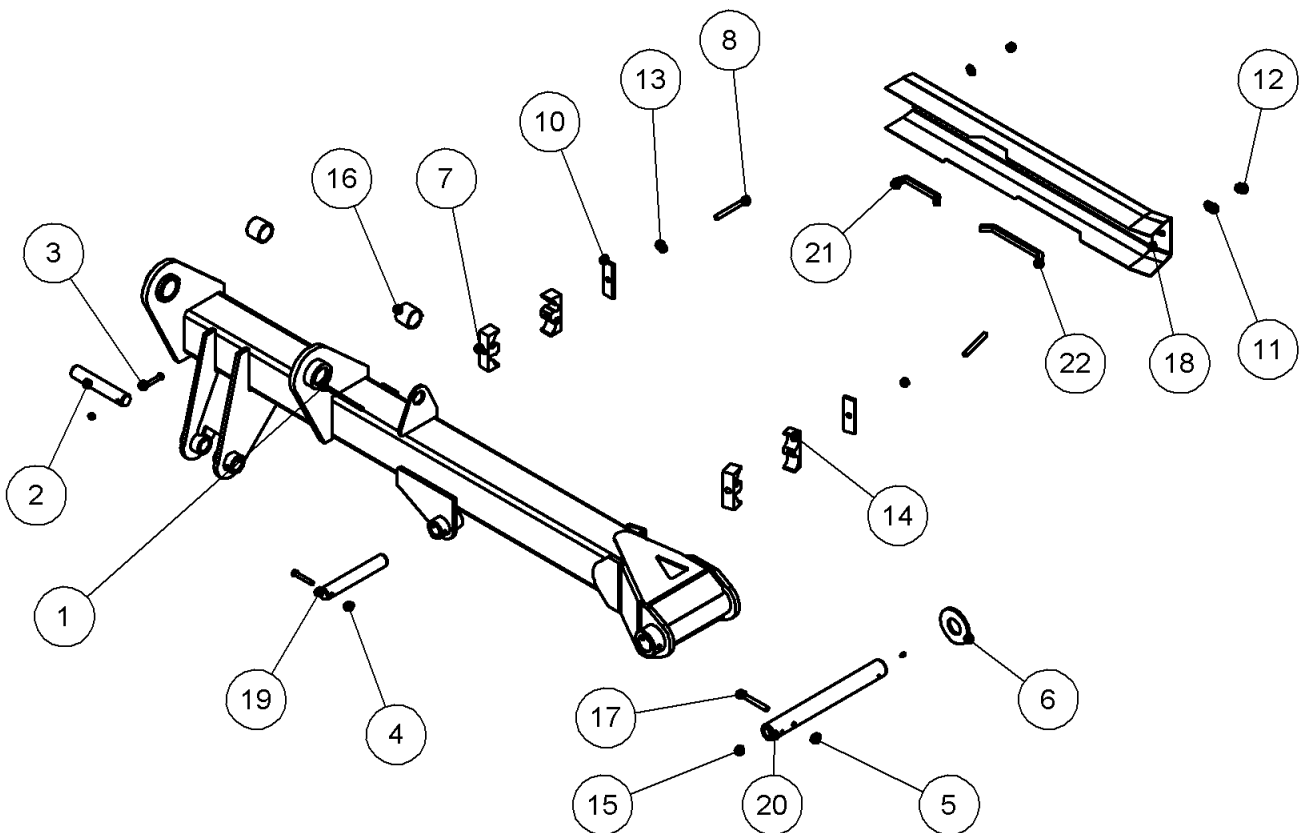
ITEM NO.	PART NUMBER	DESCRIPTION	QTY.
1	46244.03	ARM LH 5.0 FWD	1
2	08.297.02	BUSH 47x40x40	4
3	05.287.01	SELF-LOCKING NUT M8	3
4	05.287.02	SELF-LOCKING NUT M10	1
5	05.291.06	BOLT M8x55	3
6	30.217.76	30.217.76	2
7	04.282.09	STUDM10x85	1
8	04.282.84	STUD M10X95	2
9	43423.01	BRACKET - HOSE CLAMP	1
10	9100025	M10 DOME NUT	3
11	05.281.02	FLAT WASHER M10	1
12	06.418.05	CLAMP PLATE 95 x 6	2
13	05.286.02	NUT M10	2
14	03.654.89	PIN 30 DIA X 170	1
15	05.953.04	GREASE NIPPLE M10x90 deg	1
16	05.953.01	GREASE NIPPLE M6xStr	2
17	03.654.79	PIN 30 DIA X 214	1
18	46249.03	GUARD HOSE 2ND ARM LH	1
19	03.654.95	PIN 30 DIA X 278	1
20	03.231.13	RUBBER EDGING	1
21	45630.01	HOSE CLAMP-PLASTIC	2
22	05.292.21	BOLT M12x80	1

FALCON 5.0 FWD 2ND ARM - 77.112.12



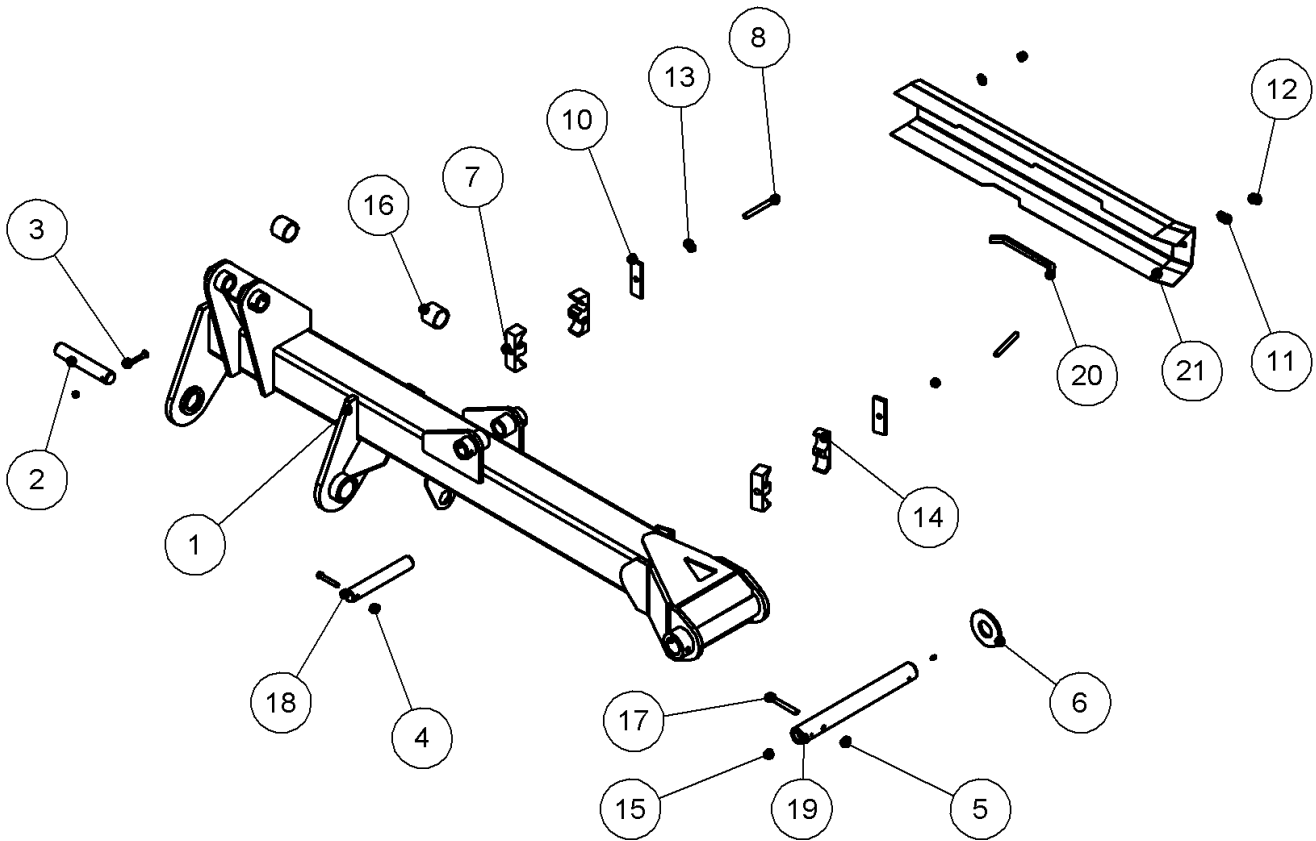
ITEM NO.	PART NUMBER	DESCRIPTION	QTY.
1	46244.04	ARM - 5.0 RH FWD	1
2	46249.04	GUARD HOSE 2ND ARM RH	1
3	03.231.13	RUBBER EDGING	1
4	03.654.79	PIN 30 DIA X 214	1
5	03.654.89	PIN 30 DIA X 170	1
6	03.654.95	PIN 30 DIA X 278	1
7	45630.01	HOSE CLAMP-PLASTIC	4
8	30.217.76	30.217.76	4
9	43423.01	BRACKET - HOSE CLAMP	1
10	06.418.05	CLAMP PLATE 95 x 6	2
11	08.297.02	BUSH 47x40x40	4
12	05.953.04	GREASE NIPPLE M10x90 deg	1
13	05.953.01	GREASE NIPPLE M6xStr	2
14	05.291.06	BOLT M8x55	3
15	05.287.01	SELF-LOCKING NUT M8	3
16	05.287.02	SELF-LOCKING NUT M10	1
17	04.282.84	STUD M10X95	3
18	05.286.02	NUT M10	2
19	05.281.02	FLAT WASHER M10	5
20	9100025	M10 DOME NUT	3

ARM ASSY - INTERMEDIATE - 77.169.01



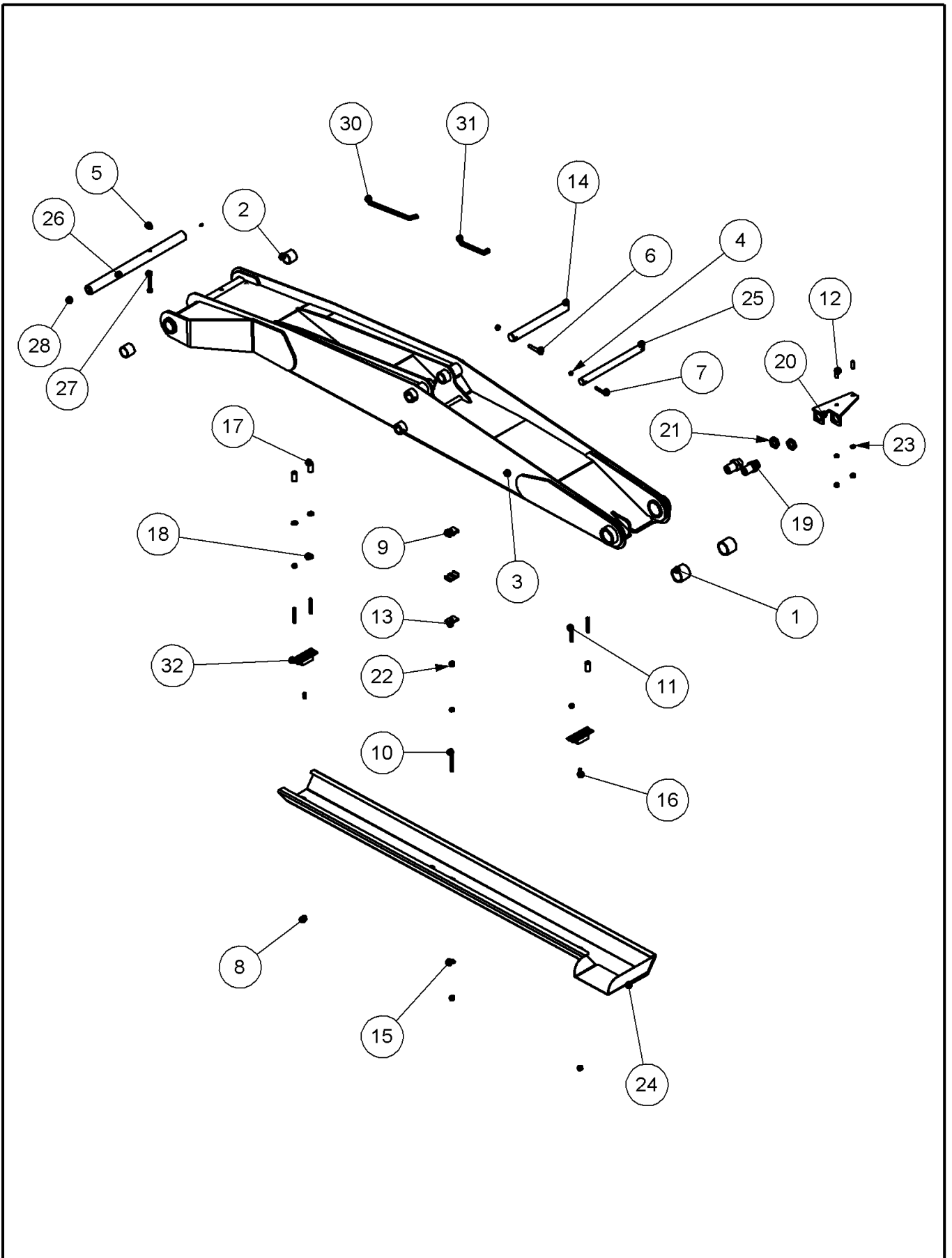
ITEM NO.	PART NUMBER	DESCRIPTION	QTY.
1	46160.01	BEAM - INTERMEDIATE LH	1
2	03.654.89	PIN 30 DIA X 170	1
3	05.291.06	BOLT M8x55	2
4	05.287.01	SELF-LOCKING NUT M8	2
5	05.287.02	SELF-LOCKING NUT M10	1
6	09.232.01	THRUST WASHER	1
7	45630.01	HOSE CLAMP-PLASTIC	3
8	04.282.84	STUD M10X95	2
9	04.282.69	STUD M10x105	1
10	06.418.05	CLAMP PLATE 95 x 6	2
11	05.281.02	FLAT WASHER M10	2
12	9100025	M10 DOME NUT	2
13	05.286.02	NUT M10	2
14	30.217.76	30.217.76	1
15	05.953.01	GREASE NIPPLE M6xStr	2
16	08.297.02	BUSH 47x40x40	2
17	05.292.11	BOLT M10x80	1
18	46172.01	GUARD - HOSE	1
19	03.654.96	PIN 30 DIA X 198	1
20	43292.33	PIN Ø40 -374 LONG	1
21	03.231.12	RUBBER EDGING	1
22	03.231.13	RUBBER EDGING	1

ARM ASSY - INTER BEAM RHATE - 77.169.02



ITEM NO.	PART NUMBER	DESCRIPTION	QTY.
1	46160.02	BEAM - INTERMEDIATE RH	1
2	03.654.89	PIN 30 DIA X 170	1
3	05.291.06	BOLT M8x55	2
4	05.287.01	SELF-LOCKING NUT M8	2
5	05.287.02	SELF-LOCKING NUT M10	1
6	09.232.01	THRUST WASHER	1
7	45630.01	HOSE CLAMP-PLASTIC	3
8	04.282.84	STUD M10X95	2
9	04.282.69	STUD M10x105	1
10	06.418.05	CLAMP PLATE 95 x 6	2
11	05.281.02	FLAT WASHER M10	2
12	9100025	M10 DOME NUT	2
13	05.286.02	NUT M10	2
14	30.217.76	30.217.76	1
15	05.953.01	GREASE NIPPLE M6xStr	2
16	08.297.02	BUSH 47x40x40	2
17	05.292.11	BOLT M10x80	1
18	03.654.96	PIN 30 DIA X 198	1
19	43292.33	PIN Ø40 -374 LONG	1
20	03.231.13	RUBBER EDGING	1
21	46172.02	GUARD - HOSE	1

ARM ASSY FOR 5.5 LH - 77.115.09

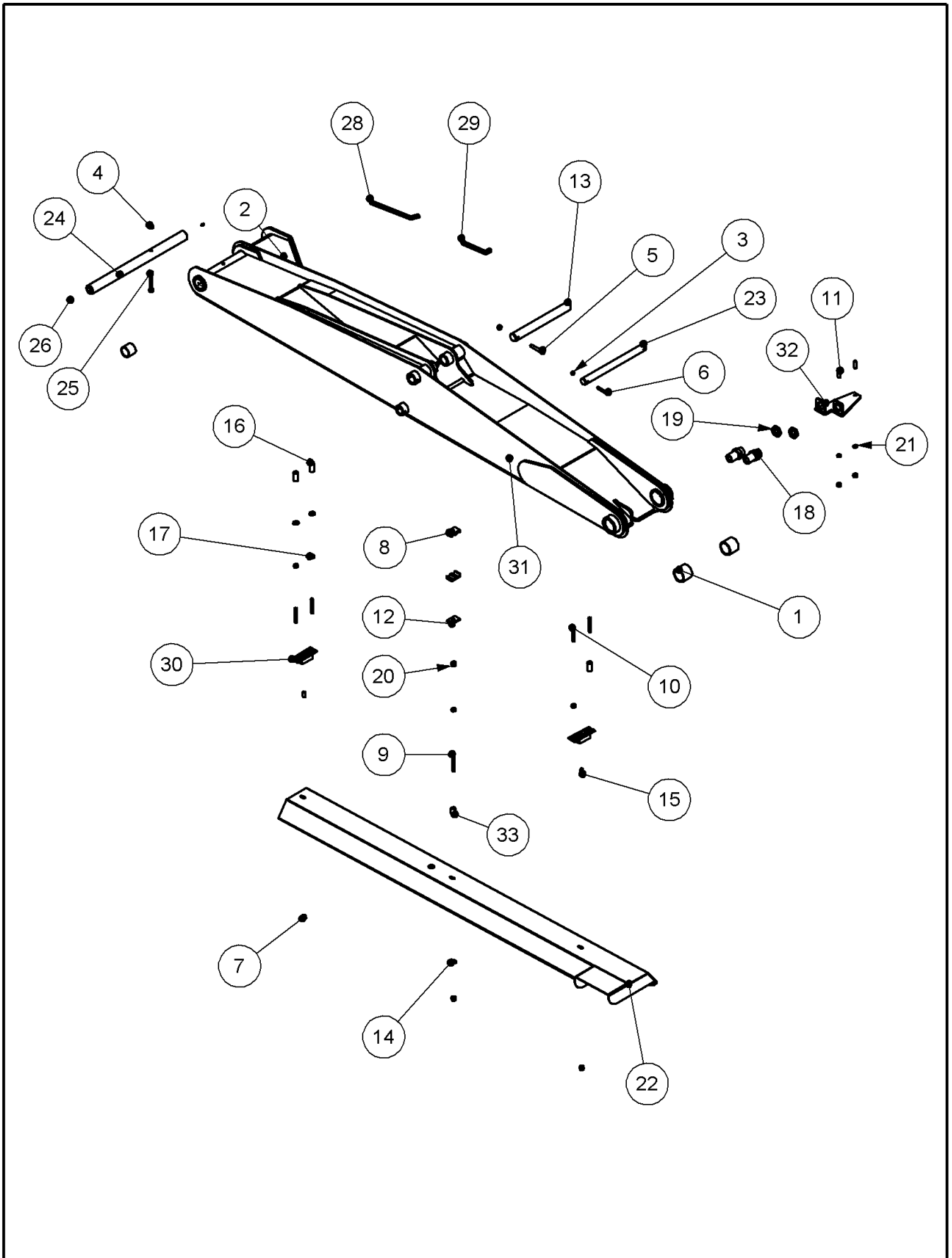


ARM ASSY FOR 5.5 LH - 77.115.09

ARM ASSY FOR 5.5 LH - 77.115.09

ITEM NO.	PART NUMBER	DESCRIPTION	QTY.
1	08.297.01	BUSH 60x50x50	2
2	08.297.02	BUSH 47x40x40	2
3	46161.01	ARM - FIRST FOR 5.5	1
4	05.287.01	SELF-LOCKING NUT M8	1
5	05.287.02	SELF-LOCKING NUT M10	2
6	05.291.18	BOLT M10x65	1
7	05.291.06	BOLT M8x55	1
8	9100025	M10 DOME NUT	3
9	06.430.02	HOSE CLAMP 14 x 14	4
10	04.282.84	STUD M10X95	1
11	04.282.76	STUD M10X70	4
12	03.100.01	STUD M10x34	2
13	06.418.06	FLAT	1
14	03.655.62	PIN 35 DIA X 324	1
15	05.281.02	FLAT WASHER M10	3
16	04.282.88	STUD M10 X 23	2
17	45529.01	SPACER	3
18	05.286.02	NUT M10	6
19	08.128.03-32		2
20	46099.01	BRACKET - HOSE MOUNTING LH	1
21	08.128.03-31	NUT 1" BSP THIN	2
22	06.788.01	SPACER 3/4" O/D X 11 SW	1
23	05.282.02	SPRING WASHER M10	6
24	46104.01	GUARD - HOSE FIRST ARM 5.5 LH	1
25	03.654.92	PIN 30 DIA X 355	1
26	43292.32	PIN 40 DIA X 557	1
27	05.292.11	BOLT M10x80	1
28	05.953.01	GREASE NIPPLE M6xStr	2
29	06.430.07	CLAMP - HOSE	2
30	03.231.11	RUBBER EDGING	1
31	03.231.12	RUBBER EDGING	1
32	46070.01	CLAMP - HOSE	2

ARM ASSY FIRST RH 5.5 - 77.115.10

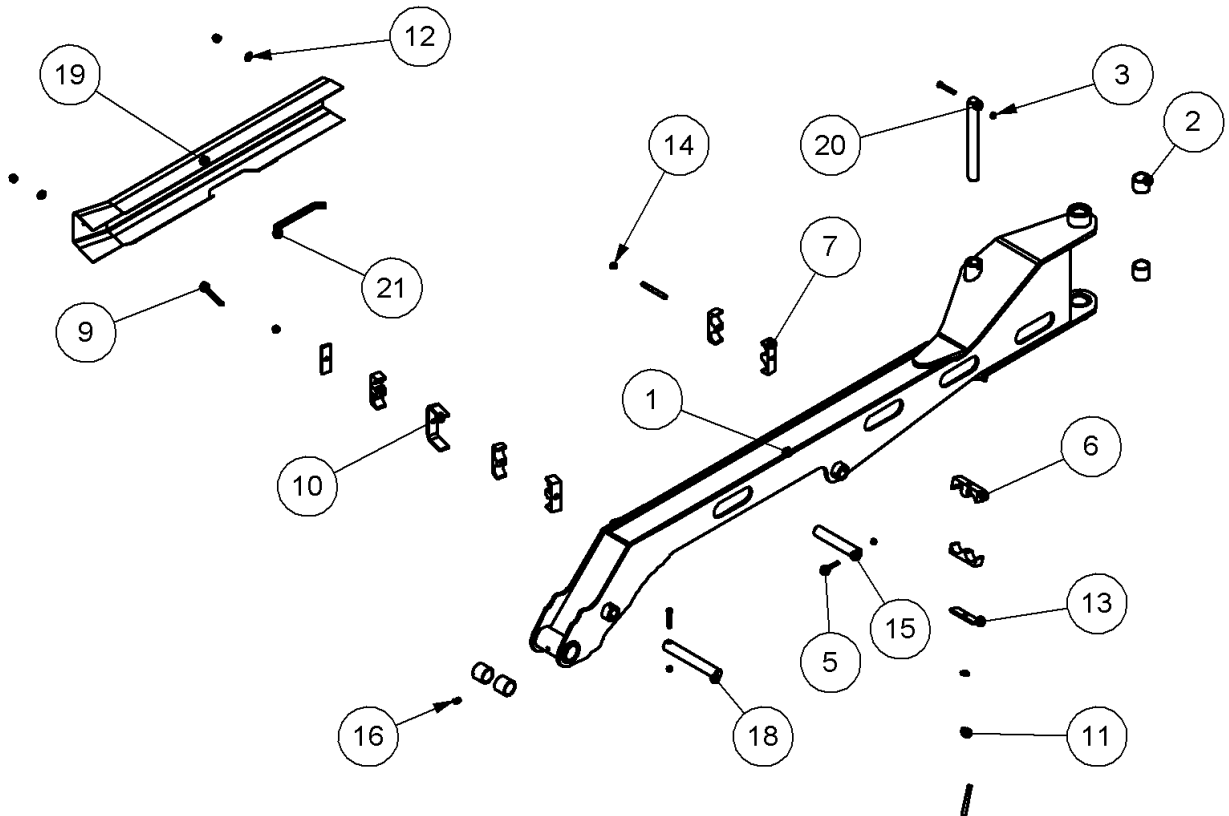


ARM ASSY FIRST RH 5.5 - 77.115.10

ARM ASSY FIRST RH 5.5 - 77.115.10

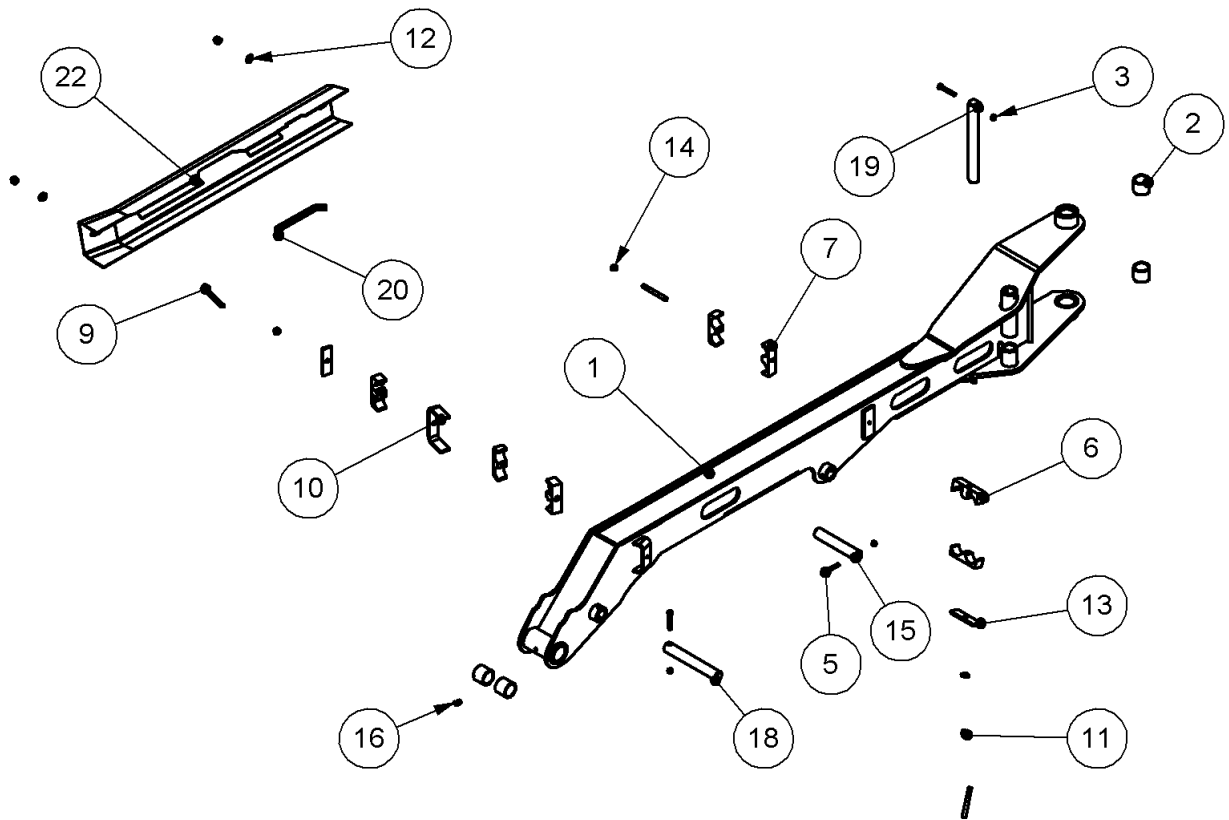
ITEM NO.	PART NUMBER	DESCRIPTION	QTY.
1	08.297.01	BUSH 60x50x50	2
2	08.297.02	BUSH 47x40x40	2
3	05.287.01	SELF-LOCKING NUT M8	1
4	05.287.02	SELF-LOCKING NUT M10	2
5	05.291.18	BOLT M10x65	1
6	05.291.06	BOLT M8x55	1
7	9100025	M10 DOME NUT	3
8	06.430.02	HOSE CLAMP 14 x 14	4
9	04.282.09	STUDM10x85	1
10	04.282.76	STUD M10X70	4
11	03.100.01	STUD M10x34	2
12	06.418.06	FLAT	1
13	03.655.62	PIN 35 DIA X 324	1
14	05.281.02	FLAT WASHER M10	3
15	04.282.88	STUD M10 X 23	2
16	45529.01	SPACER	3
17	05.286.02	NUT M10	6
18	08.128.03-32		2
19	08.128.03-31	NUT 1" BSP THIN	2
20	06.788.01	SPACER 3/4" O/D X 11 SW	1
21	05.282.02	SPRING WASHER M10	6
22	46104.02	GUARD - HOSE FIRST ARM 5.5 RH	1
23	03.654.92	PIN 30 DIA X 355	1
24	43292.32	PIN 40 DIA X 557	1
25	05.292.11	BOLT M10x80	1
26	05.953.01	GREASE NIPPLE M6xStr	2
27	06.430.07	CLAMP - HOSE	2
28	03.231.11	RUBBER EDGING	1
29	03.231.12	RUBBER EDGING	1
30	46070.01	CLAMP - HOSE	2
31	46161.02	ARM - FIRST 5.5 FWD RH	1
32	46099.02	BRACKET - HOSE MOUNTING RH	1
33	46100.01	SPACER	1

ARM ASSY SECOND FOR - 77.112.09



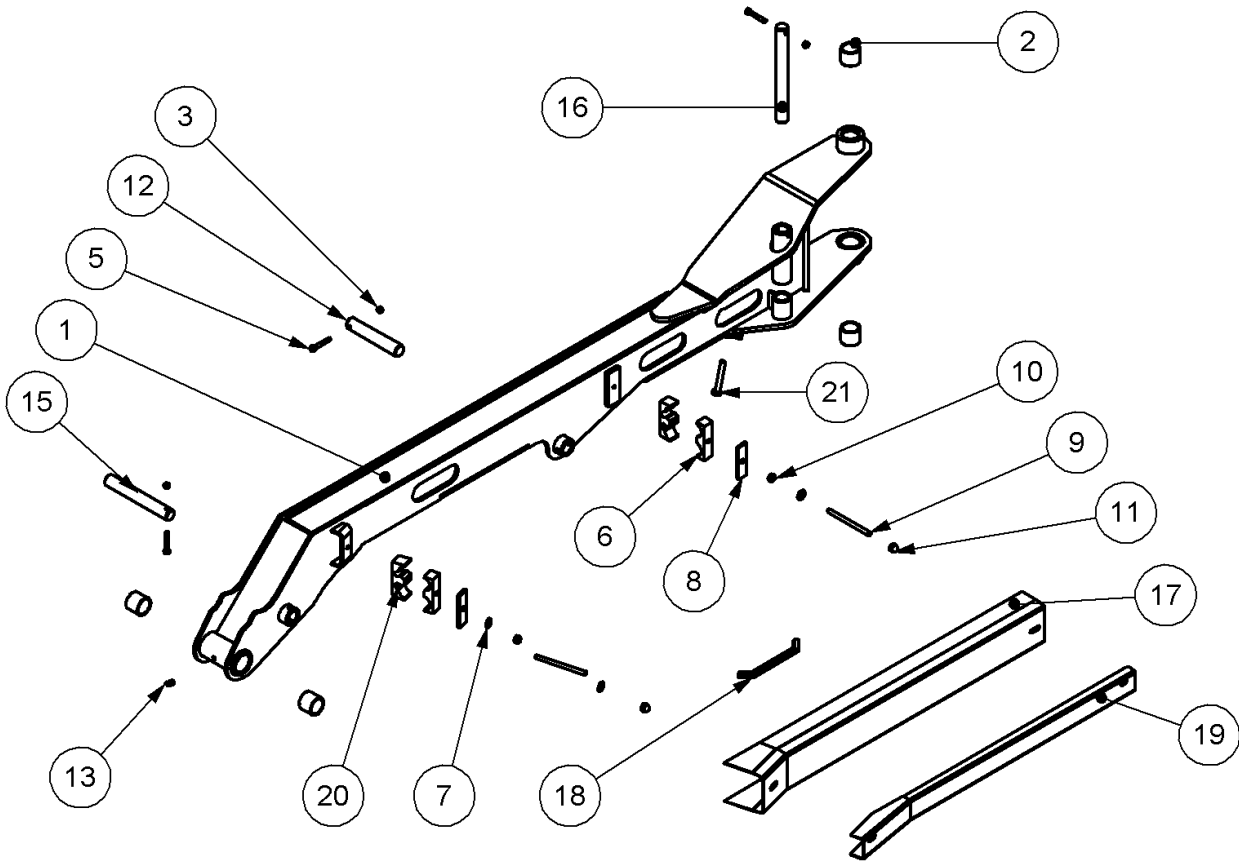
ITEM NO.	PART NUMBER	DESCRIPTION	QTY.
1	46167.03	ARM LH 5.5 FWD	1
2	08.297.02	BUSH 47x40x40	4
3	05.287.01	SELF-LOCKING NUT M8	3
4	05.287.02	SELF-LOCKING NUT M10	1
5	05.291.06	BOLT M8x55	3
6	45630.01	HOSE CLAMP-PLASTIC	4
7	30.217.76	30.217.76	4
8	04.282.09	STUDM10x85	1
9	04.282.84	STUD M10X95	3
10	43423.01	BRACKET - HOSE CLAMP	1
11	9100025	M10 DOME NUT	3
12	05.281.02	FLAT WASHER M10	5
13	06.418.05	CLAMP PLATE 95 x 6	2
14	05.286.02	NUT M10	2
15	03.654.89	PIN 30 DIA X 170	1
16	05.963.04	GREASE NIPPLE M10x90 deg	1
17	05.953.01	GREASE NIPPLE M6xStr	2
18	03.654.79	PIN 30 DIA X 214	1
19	46173.03	GUARD - HOSE 2ND ARM	1
20	03.654.95	PIN 30 DIA X 278	1
21	03.231.13	RUBBER EDGING	1
22	05.292.21	BOLT M12x80	1
23	05.819.02	ADAPTOR 1/4"BSPx3/8"BSP	1

ARM ASSY 2ND RH 5.5 - 77.112.10



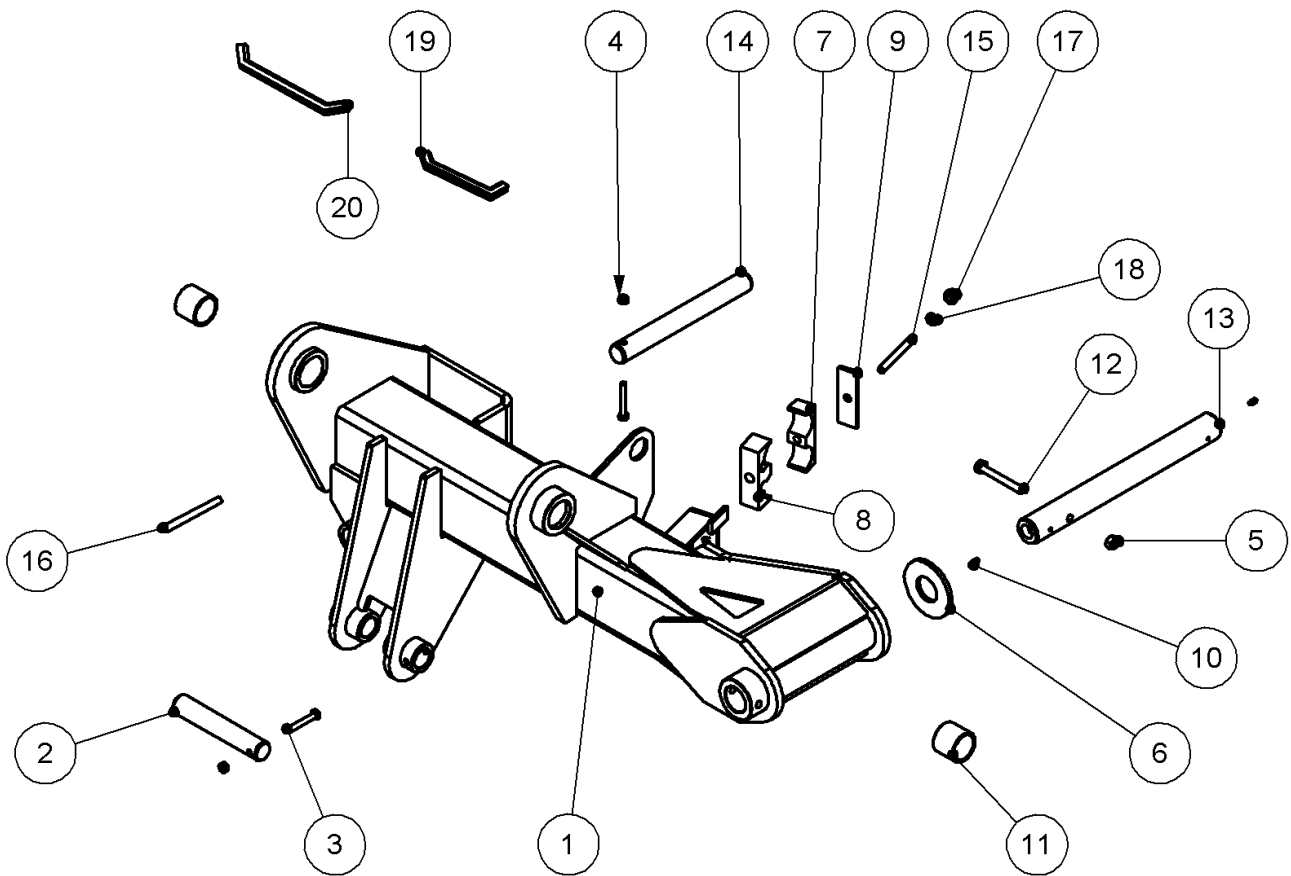
ITEM NO.	PART NUMBER	DESCRIPTION	QTY.
1	46167.04	ARM 5.5 RH FWD	1
2	08.297.02	BUSH 47x40x40	4
3	05.287.01	SELF-LOCKING NUT M8	3
4	05.287.02	SELF-LOCKING NUT M10	1
5	05.291.06	BOLT M8x55	3
6	45630.01	HOSE CLAMP-PLASTIC	4
7	30.217.76	30.217.76	4
8	04.282.09	STUDM10x85	2
9	04.282.84	STUD M10X95	3
10	43423.01	BRACKET - HOSE CLAMP	1
11	9100025	M10 DOME NUT	3
12	05.281.02	FLAT WASHER M10	5
13	06.418.05	CLAMP PLATE 95 x 6	2
14	05.286.02	NUT M10	2
15	03.654.89	PIN 30 DIA X 170	1
16	05.963.04	GREASE NIPPLE M10x90 deg	1
17	05.953.01	GREASE NIPPLE M6xStr	2
18	03.654.79	PIN 30 DIA X 214	1
19	03.654.95	PIN 30 DIA X 278	1
20	03.231.13	RUBBER EDGING	1
21	05.292.21	BOLT M12x80	1
22	46173.04	GUARD HOSE 2ND ARM RH	1

ARM ASSY 2ND RH 5.5 PISTON HYD - 77.270.18



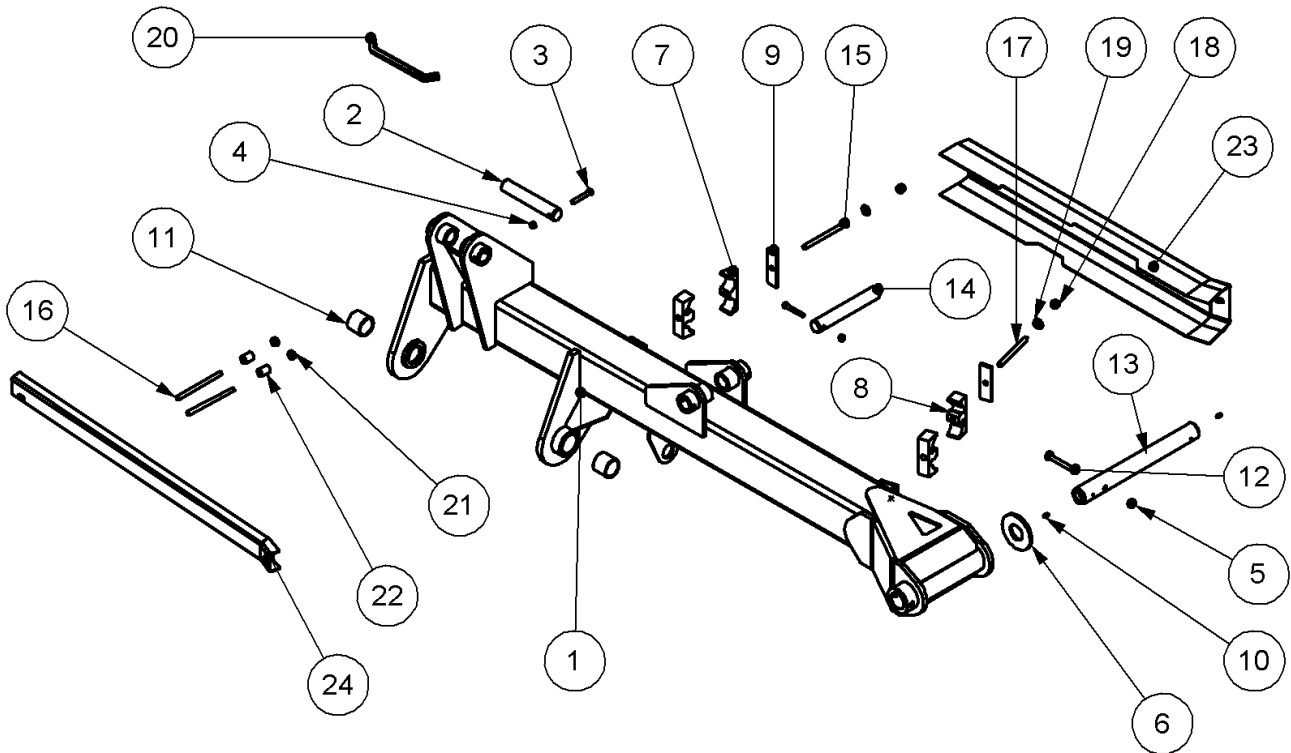
ITEM NO.	PART NUMBER	DESCRIPTION	QTY.
1	46167.04	ARM 5.5 RH FWD	1
2	08.297.02	BUSH 47x40x40	4
3	05.287.01	SELF-LOCKING NUT M8	3
4	05.287.02	SELF-LOCKING NUT M10	1
5	05.291.06	BOLT M8x55	3
6	30.217.76	30.217.76	2
7	05.281.02	FLAT WASHER M10	5
8	06.418.05	CLAMP PLATE 95 x 6	2
9	04.282.85	STUD M10X140	2
10	05.286.02	NUT M10	2
11	9100025	M10 DOME NUT	2
12	03.654.89	PIN 30 DIA X 170	1
13	05.953.04	GREASE NIPPLE M10x90 deg	1
14	05.953.01	GREASE NIPPLE M6xStr	2
15	03.654.79	PIN 30 DIA X 214	1
16	03.654.95	PIN 30 DIA X 278	1
17	46173.04	GUARD HOSE 2ND ARM RH	1
18	03.231.13	RUBBER EDGING	1
19	46172.06	TOP GUARD ASSY	1
20	45630.01	HOSE CLAMP-PLASTIC	2
21	05.292.21	BOLT M12x80	1

BEAM ASSY INTERMEDIATE LH 700 - 77.169.05



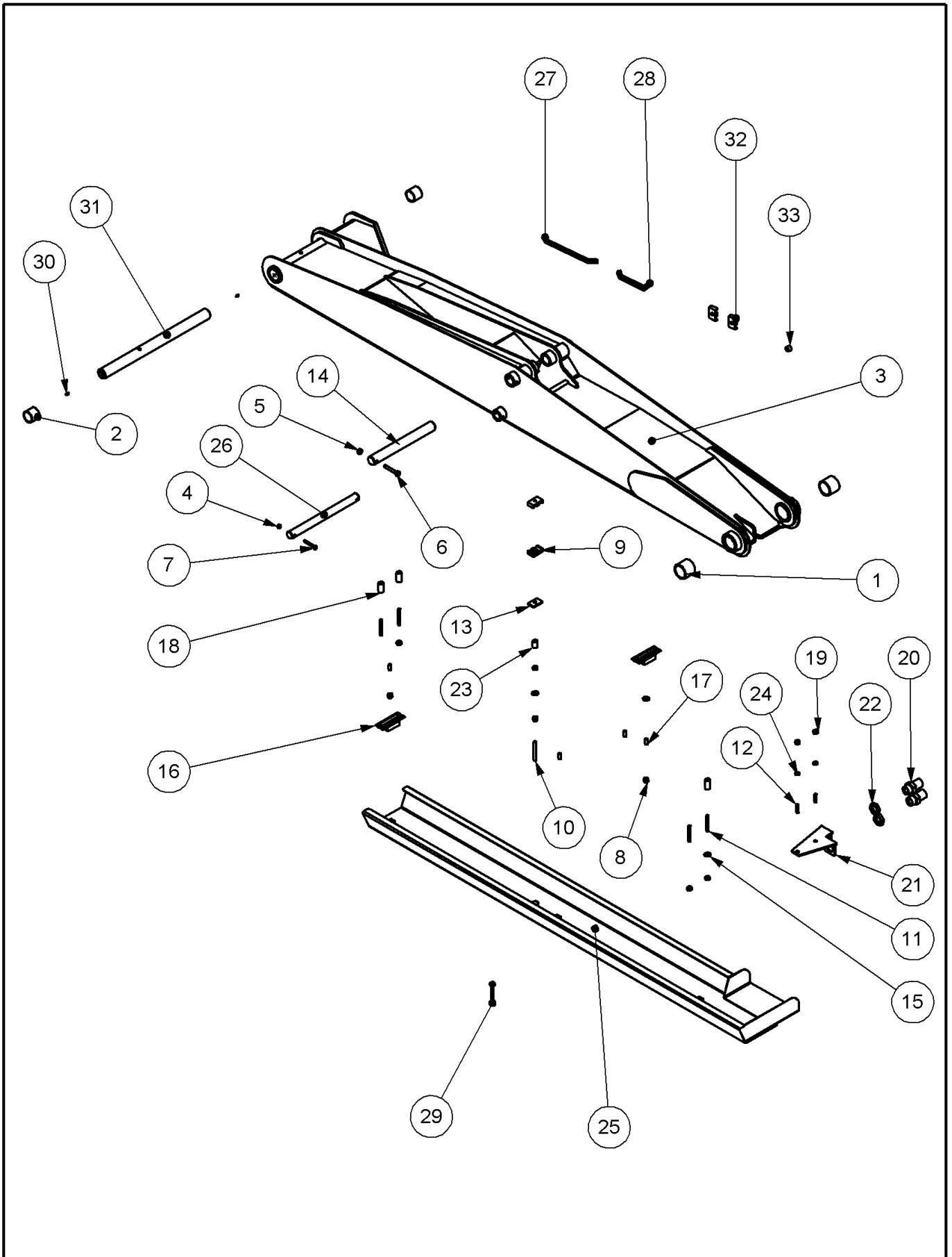
ITEM NO.	PART NUMBER	DESCRIPTION	QTY.
1	47592.01	BEAM - INTERMEDIATE LH	1
2	03.654.89	PIN 30 DIA X 170	1
3	05.291.06	BOLT M8x55	2
4	05.287.01	SELF-LOCKING NUT M8	2
5	05.287.02	SELF-LOCKING NUT M10	1
6	09.232.01	THRUST WASHER	1
7	30.217.76	30.217.76	1
8	45630.01	HOSE CLAMP-PLASTIC	1
9	06.418.05	CLAMP PLATE 95 x 6	1
10	05.953.01	GREASE NIPPLE M6xStr	2
11	08.297.02	BUSH 47x40x40	2
12	05.292.11	BOLT M10x80	1
13	43292.33	PIN Ø40 -374 LONG	1
14	03.654.74	PIN	1
15	04.282.09	STUDM10x85	1
16	04.282.69	STUD M10x105	1
17	9100025	M10 DOME NUT	1
18	05.282.02	SPRING WASHER M10	1
19	03.231.12	RUBBER EDGING	1
20	03.231.13	RUBBER EDGING	1

ARM ASSY-INTER BEAM RH - 77.270.16



ITEM NO.	PART NUMBER	DESCRIPTION	QTY.
1	46160.02	BEAM - INTERMEDIATE RH	1
2	03.654.89	PIN 30 DIA X 170	1
3	05.291.06	BOLT M8x55	2
4	05.287.01	SELF-LOCKING NUT M8	2
5	05.287.02	SELF-LOCKING NUT M10	1
6	09.232.01	THRUST WASHER	1
7	30.217.76	30.217.76	1
8	45630.01	HOSE CLAMP-PLASTIC	3
9	06.418.05	CLAMP PLATE 95 x 6	2
10	05.953.01	GREASE NIPPLE M6xStr	2
11	08.297.02	BUSH 47x40x40	2
12	05.292.11	BOLT M10x80	1
13	Default	PIN Ø40 -374 LONG	1
14	03.654.96	PIN 30 DIA X 198	1
15	04.282.77	STUD M10X130	1
16	04.282.85	STUD M10X140	2
17	04.282.15	STUD M10X120	1
18	9100025	M10 DOME NUT	2
19	05.281.02	FLAT WASHER M10	2
20	03.231.13	RUBBER EDGING	1
21	05.286.02	NUT M10	2
22	46100.01	SPACER	2
23	46172.02	GUARD - HOSE	1
24	46172.04	GUARD ASSY	1

ARM ASSY FIRST RH PISTON - 77.270.13

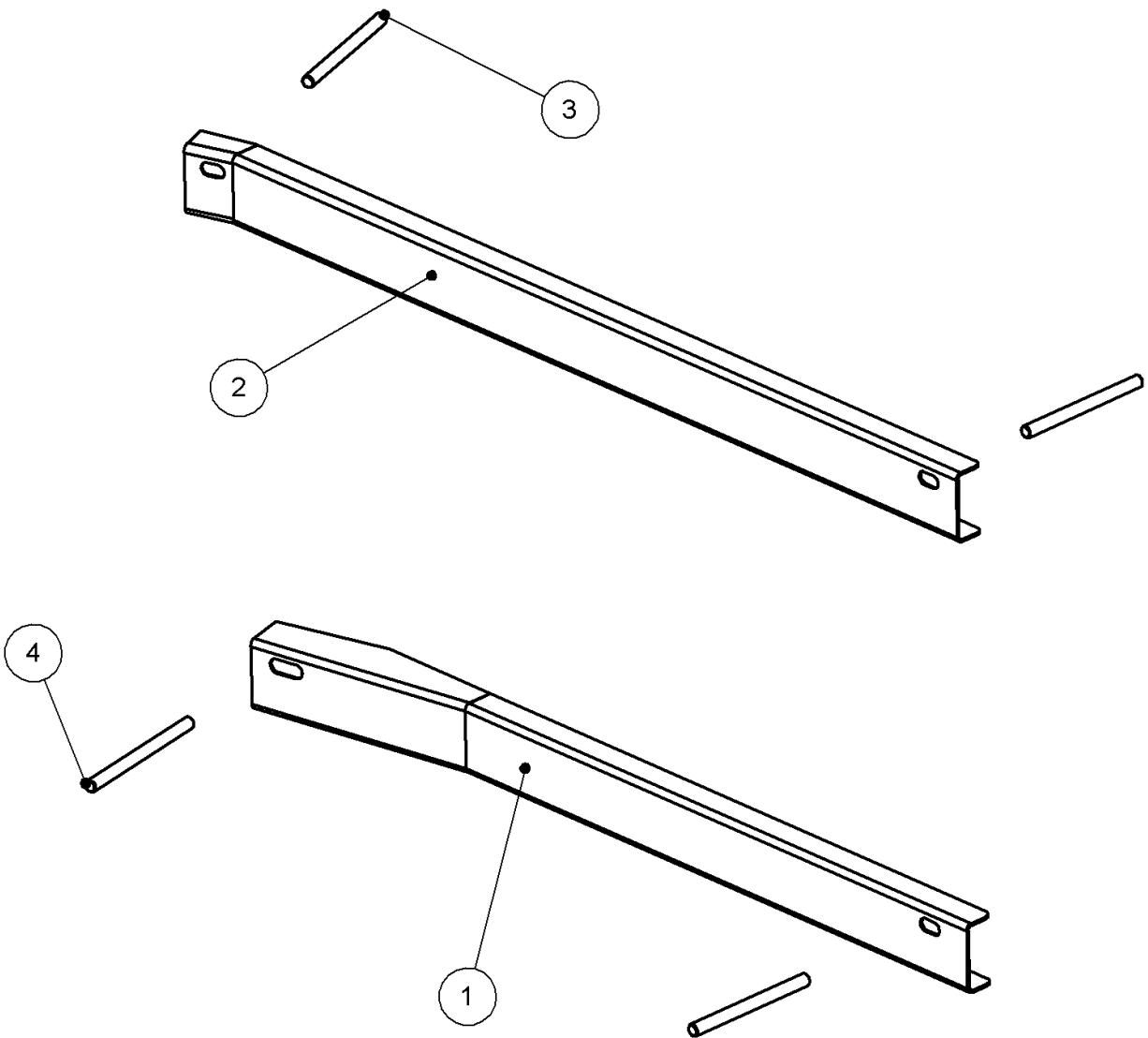


ARM ASSY FIRST RH PISTON - 77.270.13

ARM ASSY FIRST RH PISTON - 77.270.13

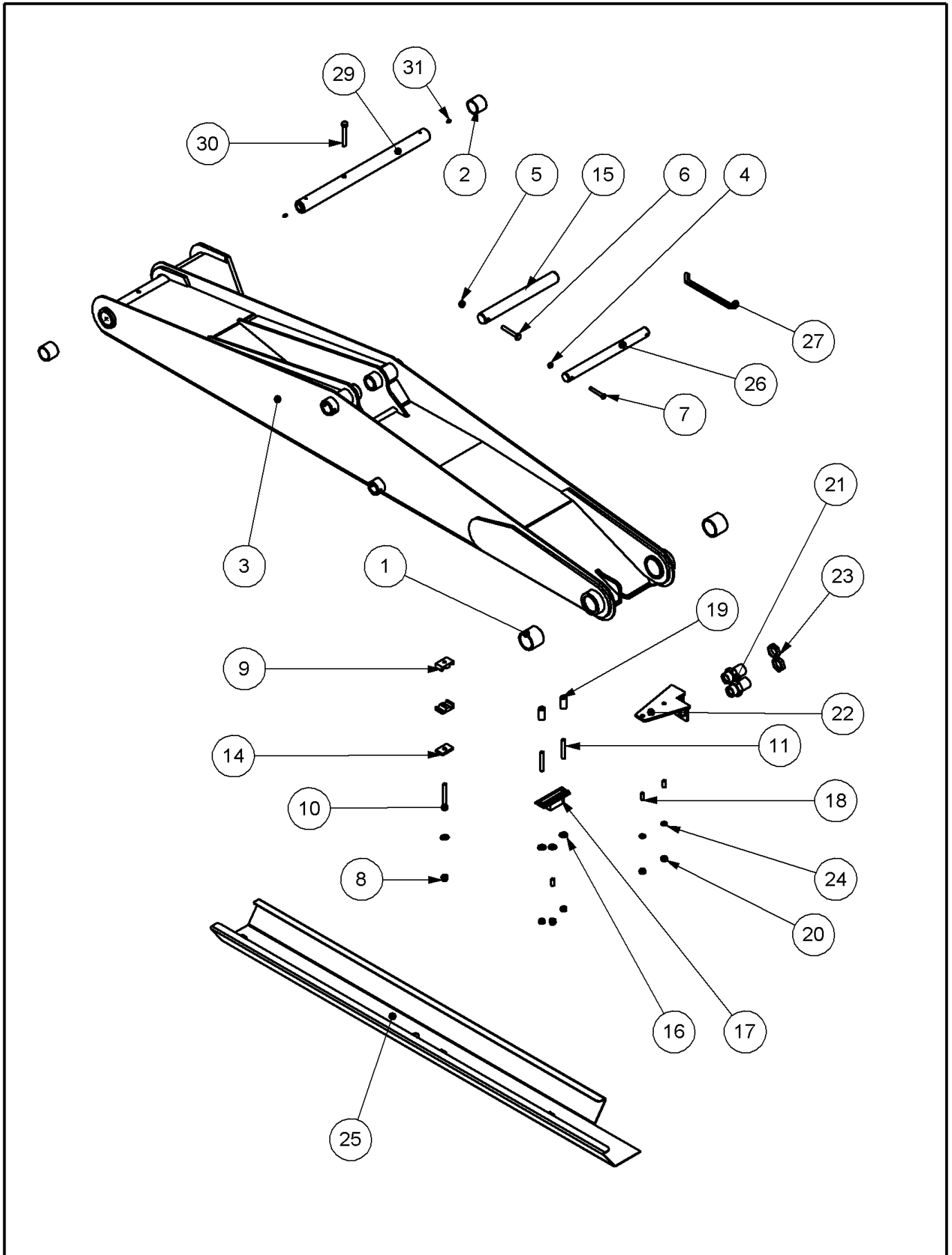
ITEM NO.	PART NUMBER	DESCRIPTION	QTY.
1	08.297.01	BUSH 60x50x50	2
2	08.297.02	BUSH 47x40x40	2
3	46161.02	ARM - FIRST 5.5 FWD RH	1
4	05.287.01	SELF-LOCKING NUT M8	1
5	05.287.02	SELF-LOCKING NUT M10	2
6	05.291.18	BOLT M10x65	1
7	05.291.06	BOLT M8x55	1
8	9100025	M10 DOME NUT	3
9	06.430.02	HOSE CLAMP 14 x 14	4
10	04.282.09	STUDM10x85	1
11	04.282.76	STUD M10X70	4
12	03.100.01	STUD M10x34	2
13	06.418.06	FLAT	1
14	03.655.62	PIN 35 DIA X 324	1
15	05.281.02	FLAT WASHER M10	3
16	46070.01	CLAMP - HOSE	2
17	04.282.88	STUD M10 X 23	4
18	45529.01	SPACER	3
19	05.286.02	NUT M10	6
20	08.128.03-32		2
21	46099.02	BRACKET - HOSE MOUNTING RH	1
22	08.128.03-31	NUT 1" BSP THIN	2
23	46100.01	SPACER	1
24	05.282.02	SPRING WASHER M10	6
25	46104.04	GUARD - FIRST ARM RH 5.5	1
26	03.654.92	PIN 30 DIA X 355	1
27	03.231.11	RUBBER EDGING	1
28	03.231.12	RUBBER EDGING	1
29	05.292.11	BOLT M10x80	1
30	05.953.01	GREASE NIPPLE M6xStr	2
31	43292.32	PIN 40 DIA X 557	1
32	06.430.07	CLAMP - HOSE	2
33	06.788.01	SPACER 3/4" O/D X 11 SW	1

PISTON FALCON PIGGYBACK GUARDS - 77.270.13



ITEM NO.	PART NUMBER	DESCRIPTION	QTY.
1	46172.08	GUARD-PIGGYBACK	1
2	46172.04	GUARD ASSY	1
3	04.282.15	STUD M10X120	3
4	04.282.77	STUD M10X130	1

ARM ASSY FIRST RH 5 FWD - 77.115.14

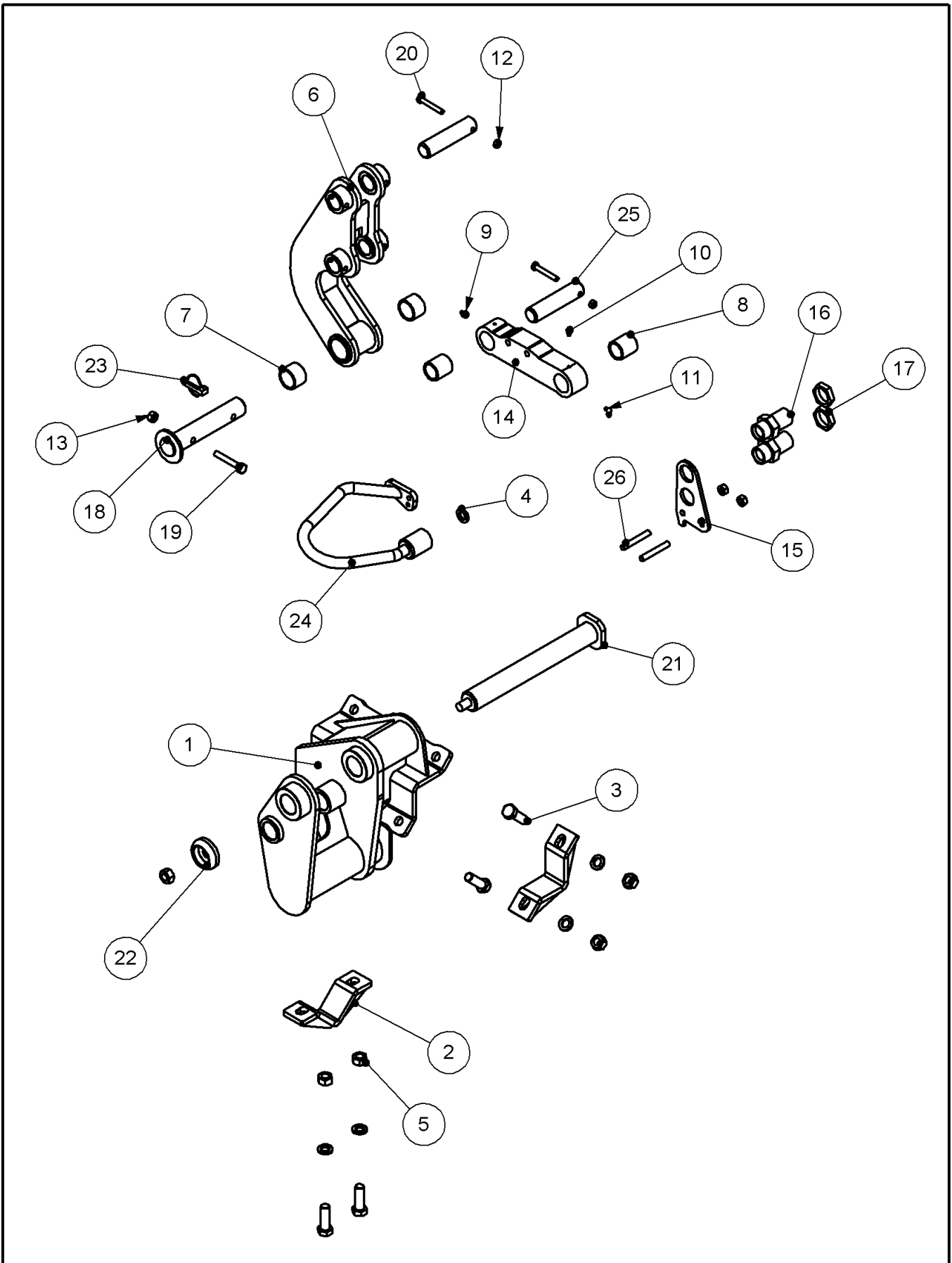


ARM ASSY FIRST RH 5 FWD - 77.115.14

ARM ASSY FIRST RH 5 FWD - 77.115.14

ITEM NO.	PART NUMBER	DESCRIPTION	QTY.
1	08.297.01	BUSH 60x50x50	2
2	08.297.02	BUSH 47x40x40	2
3	46234.02	ARM - FIRST 5 RH FWD	1
4	05.287.01	SELF-LOCKING NUT M8	1
5	05.287.02	SELF-LOCKING NUT M10	2
6	05.291.18	BOLT M10x65	1
7	05.291.06	BOLT M8x55	1
8	9100025	M10 DOME NUT	3
9	06.430.02	HOSE CLAMP 14 x 14	4
10	04.282.09	STUDM10x85	1
11	04.282.76	STUD M10X70	4
12	03.100.01	STUD M10x34	2
13	04.282.84	STUD M10X95	1
14	06.418.06	FLAT	1
15	03.655.62	PIN 35 DIA X 324	1
16	05.281.02	FLAT WASHER M10	7
17	46070.01	CLAMP - HOSE	2
18	04.282.88	STUD M10 X 23	4
19	45529.01	SPACER	4
20	05.286.02	NUT M10	7
21	08.128.03-32		2
22	46099.02	BRACKET - HOSE MOUNTING RH	1
23	08.128.03-31	NUT 1" BSP THIN	2
24	05.282.02	SPRING WASHER M10	2
25	46101.02	GUARD - HOSE FIRST ARM RH	1
26	03.654.92	PIN 30 DIA X 355	1
27	03.231.11	RUBBER EDGING	1
28	06.430.07	CLAMP - HOSE	2
29	43292.32	PIN 40 DIA X 557	1
30	05.292.11	BOLT M10x80	1
31	05.953.01	GREASE NIPPLE M6xStr	2

COWL BRACKET ASSY LH - 77.108.01

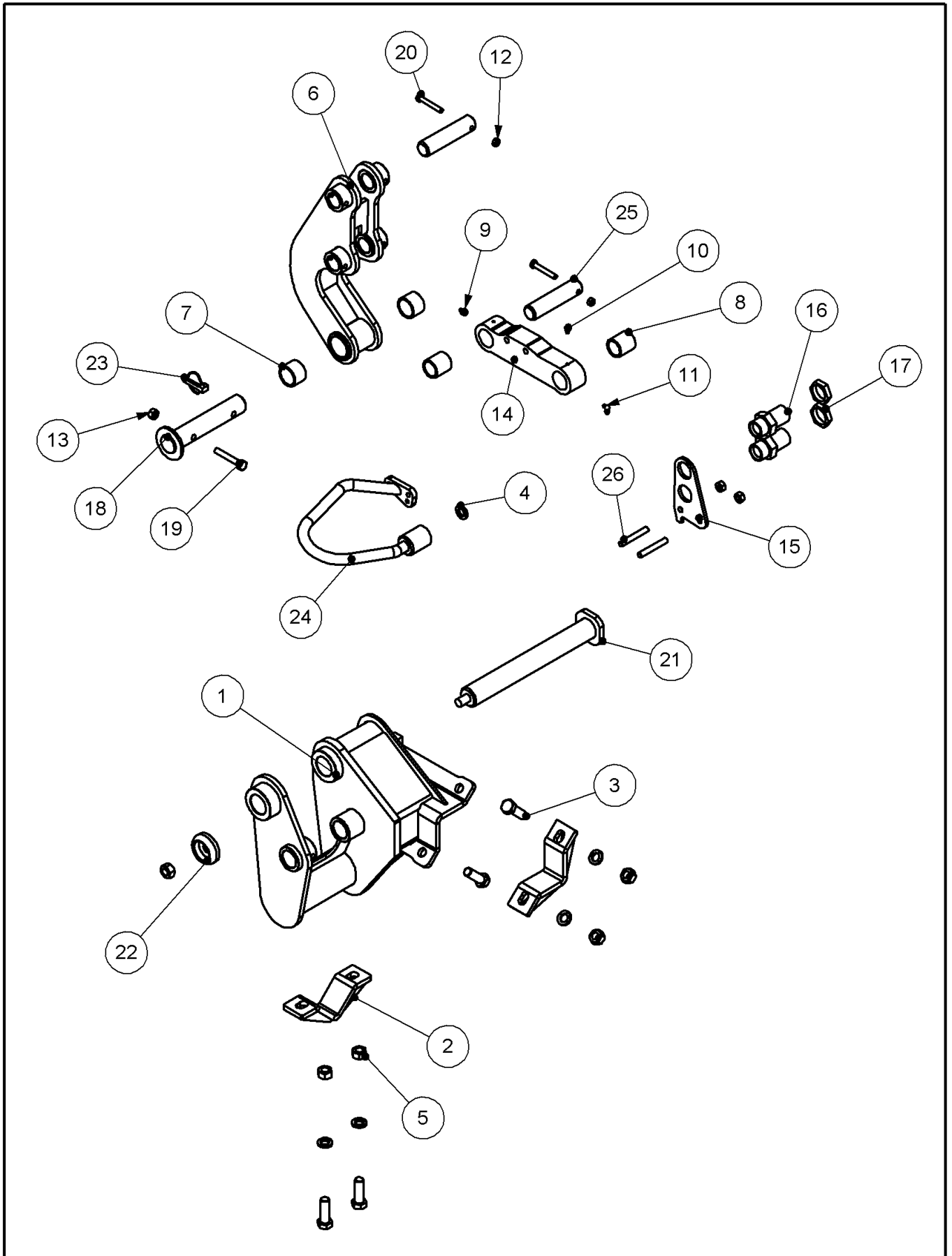


COWL BRACKET ASSY LH - 77.108.01

COWL BRACKET ASSY LH - 77.108.01

ITEM NO.	PART NUMBER	DESCRIPTION	QTY.
1	45949.01	BRACKET - COWL LH	1
2	45948.01	CLAMP - COWL 70X70	2
3	05.264.37	SETSCREW M16x50	4
4	05.282.04	SPRING WASHER M16	5
5	05.286.04	NUT M16	5
6	46090.01	LINK - COWL	1
7	08.297.05	BUSH 42x35x30	2
8	08.297.10	BUSH 37x30x40	2
9	05.953.03	GREASE NIPPLE M10xStr	1
10	05.953.01	GREASE NIPPLE M6xStr	1
11	05.953.05	GREASE NIPPLE M6x90 deg	1
12	05.287.01	SELF-LOCKING NUT M8	2
13	05.287.02	SELF-LOCKING NUT M10	3
14	45950.01	LINK - COWL	1
15	45491.01	PLATE	1
16	08.128.03-32		2
17	08.128.03-31	NUT 1" BSP THIN	2
18	03.655.27	PIN 35 DIA X 184	1
19	05.291.18	BOLT M10x65	1
20	05.291.06	BOLT M8x55	2
21	45951.01	PIN - COWL PIVOT 40 DIA	1
22	07.942.03	SPECIAL WASHER - M16	1
23	00.372.01	LINCH PIN	1
24	45954.01	GUARD - BULKHEAD	1
25	03.654.59	PIN 30 DIA X 128	2
26	04.282.76	STUD M10X70	2

COWL BRACKET RH - 77.108.02

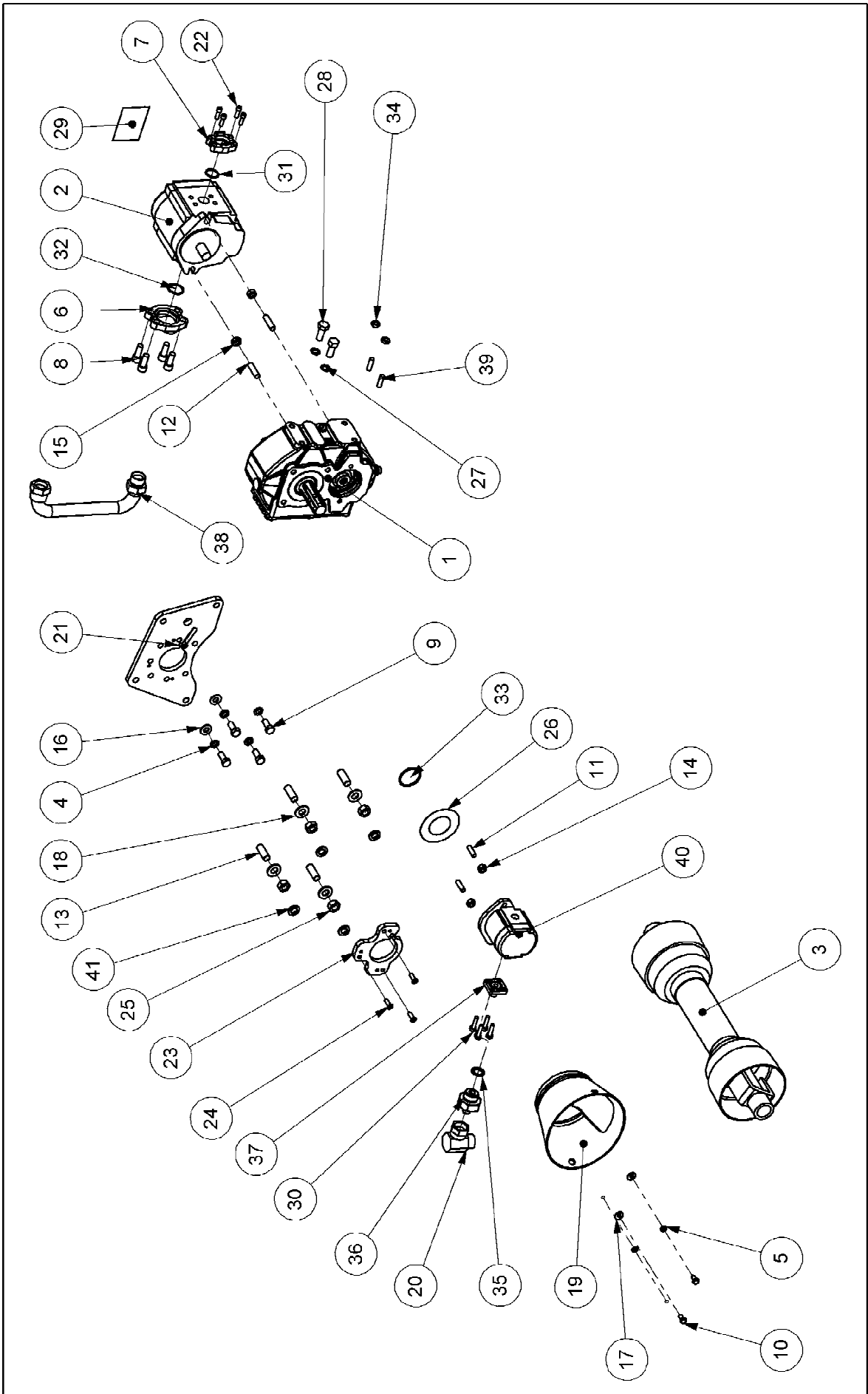


COWL BRACKET RH - 77.108.02

COWL BRACKET RH - 77.108.02

ITEM NO.	PART NUMBER	DESCRIPTION	QTY.
1	45949.02	BRACKET - COWL RH	1
2	45948.01	CLAMP - COWL 70X70	2
3	05.264.37	SETSCREW M16x50	4
4	05.282.04	SPRING WASHER M16	5
5	05.286.04	NUT M16	5
6	46090.01	LINK - COWL	1
7	08.297.05	BUSH 42x35x30	2
8	08.297.10	BUSH 37x30x40	2
9	05.953.03	GREASE NIPPLE M10xStr	1
10	05.953.01	GREASE NIPPLE M6xStr	1
11	05.953.05	GREASE NIPPLE M6x90 deg	1
12	05.287.01	SELF-LOCKING NUT M8	2
13	05.287.02	SELF-LOCKING NUT M10	3
14	45950.01	LINK - COWL	1
15	45491.01	PLATE	1
16	08.128.03-32		2
17	08.128.03-31	NUT 1" BSP THIN	2
18	03.655.27	PIN 35 DIA X 184	1
19	05.291.18	BOLT M10x65	1
20	05.291.06	BOLT M8x55	2
21	45951.01	PIN - COWL PIVOT 40 DIA	1
22	07.942.03	SPECIAL WASHER - M16	1
23	00.372.01	LINCH PIN	1
24	45954.01	GUARD - BULKHEAD	1
25	03.654.59	PIN 30 DIA X 128	2
26	04.282.76	STUD M10X70	2

PTO - GEARBOX - PUMPS CABLE - 77.107.01

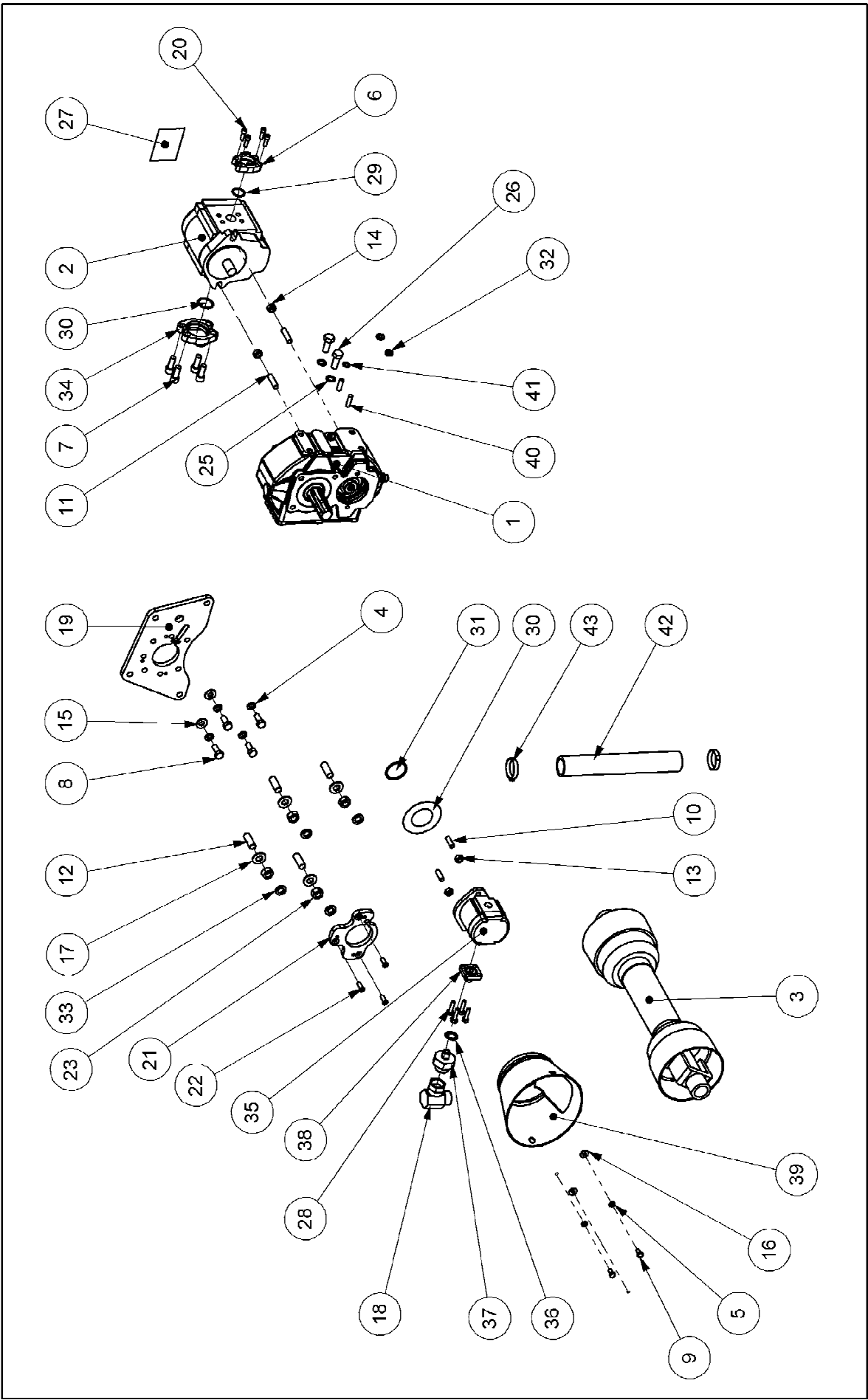


PTO - GEARBOX - PUMPS CABLE - 77.107.01

77.107.01 - PTO/GEARBOX/PUMPS LH

ITEM NO.	PART NUMBER	DESCRIPTION	QTY.
1	47487.02	GEARBOX CAST IRON	1
2	09.536.03	GEAR PUMP 3P EX HANDLEY	1
3	41624.01	PTO (560CC) T50 SERIES	1
4	05.282.03	SPRING WASHER M12	4
5	05.282.01	SPRING WASHER M8	2
6	41.294.01	SPLIT FLANGE PAIR 1.1/2"SAE	1
7	01.697.03	SPLIT FLANGE	2
8	0342104	SOCKET CAPSCREW	4
9	05.264.23	SETSCREW M12x30	4
10	05.839.03	SETSCREW M8X16	2
11	03.100.01	STUD M10x34	2
12	04.282.74	STUD M12X46	2
13	04.282.49	STUD M16 X 45	4
14	05.287.02	SELF-LOCKING NUT M10	2
15	05.287.03	SELF-LOCKING NUT M12	2
16	05.281.03	FLAT WASHER M12	2
17	05.281.01	FLAT WASHER M8	2
18	05.281.04	FLAT WASHER M16	4
19	08.548.05	GUARD - PTO	1
20	05.835.02	90 ADAPTOR M/F SWIVEL	1
21	46707.38	PLATE	1
22	05.657.01	SOCKET CAPSCREW 5/16" X 7/8	4
23	46707.39	PLATE	1
24	05.345.13	SOCKET CSK SCREW M8X25	3
25	05.286.04	NUT M16	4
26	GASKET 41421.01	GASKET 41421.01	1
27	05.283.07	SHAKEPROOF WASHER 14MM	2
28	05.839.01	BOLT M14 X 2.0P X 35 LG	2
29	46749.02	BIMA GBOX DECAL	1
30	05.256.13	SETSCREW 3/8"	4
31	30.210.92	O RING 200-121-4490	1
32	8600124	O RING 200-219-4490	1
33	8600303	O RING 200-225-4490	1
34	9133005	M10 THIN PLAIN NUT	2
35	05.290.05	BONDED SEAL 1/2" BSP	1
36	30.059.84	ADAPTOR	1
37	09.745.01	ADAPTOR FLANGE 3/8"	1
38	46127.01	PIPE - HYDRAULIC 1" BSP	1
39	03.100.02	STUD M10 X 32	2
40	09.537.32	GEAR PUMP EX HANDLEY	1
41	05.282.04	SPRING WASHER M16	4

PTO/GEARBOX/PUMPS CABLE RH - 77.107.02

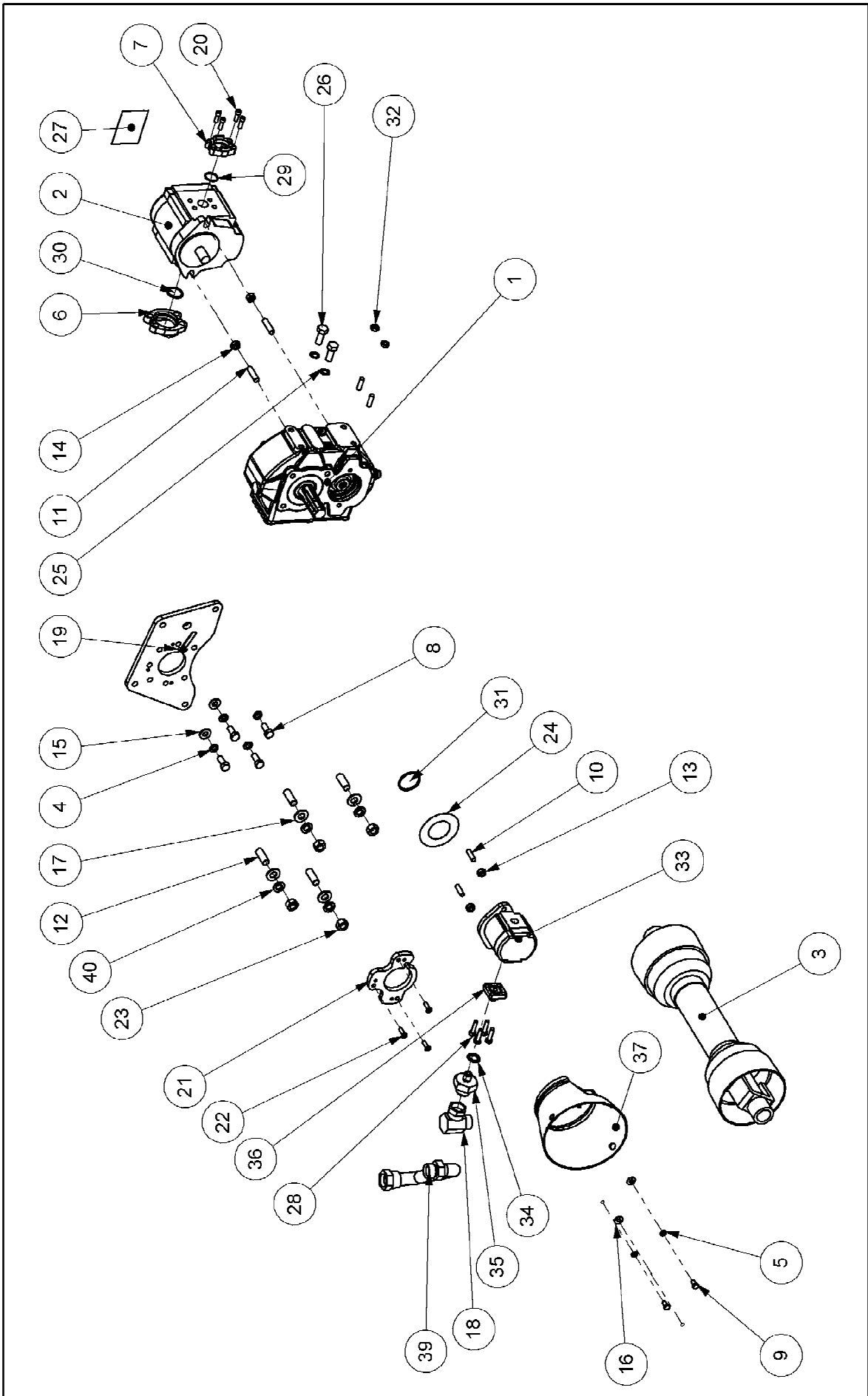


PTO/GEARBOX/PUMPS CABLE RH - 77.107.02

77.107.02 - PTO/GEARBOX/PUMPS RH

ITEM NO.	PART NUMBER	DESCRIPTION	QTY.
1	47487.02	GEARBOX CAST IRON	1
2	09.536.03	GEAR PUMP 3P EX HANDLEY	1
3	41624.01	PTO (560CC) T50 SERIES	1
4	05.282.03	SPRING WASHER M12	4
5	05.282.01	SPRING WASHER M8	2
6	01.697.03	SPLIT FLANGE	2
7	0342104	SOCKET CAPSCREW	4
8	05.264.23	SETSCREW M12x30	4
9	05.839.03	SETSCREW M8X16	2
10	03.100.01	STUD M10x34	2
11	04.282.74	STUD M12X46	2
12	04.282.49	STUD M16 X 45	4
13	05.287.02	SELF-LOCKING NUT M10	2
14	05.287.03	SELF-LOCKING NUT M12	2
15	05.281.03	FLAT WASHER M12	2
16	05.281.01	FLAT WASHER M8	2
17	05.281.04	FLAT WASHER M16	4
18	05.835.02	90 ADAPTOR M/F SWIVEL	1
19	46707.38	PLATE	1
20	05.657.01	SOCKET CAPSCREW 5/16" X 7/8	4
21	46707.40	PLATE	1
22	05.345.13	SOCKET CSK SCREW M8X25	3
23	05.286.04	NUT M16	4
24	GASKET 41421.01	GASKET 41421.01	1
25	05.283.07	SHAKEPROOF WASHER 14MM	2
26	05.839.01	BOLT M14 X 2.0P X 35 LG	2
27	46749.02	BIMA GBOX DECAL	1
28	05.256.13	SETSCREW 3/8"	4
29	30.210.92	O RING 200-121-4490	1
30	8600124	O RING 200-219-4490	1
31	8600303	O RING 200-225-4490	1
32	9133005	M10 THIN PLAIN NUT	2
33	05.282.04	SPRING WASHER M16	4
34	41.294.04	SPLIT FLANGE 1.5"	1
35	09.537.03	GEAR PUMP 1PX150	1
36	05.290.05	BONDED SEAL 1/2" BSP	1
37	30.059.84	ADAPTOR	1
38	09.745.01	ADAPTOR FLANGE 3/8"	1
39	08.548.05	GUARD - PTO	1
40	03.100.02	STUD M10 X 32	2
41	05.283.02	SHAKEPROOF WASHER 10M	4
42	10.024.21	HOSE 1.1/2" X 320 PLAIN	1
43	47603.01	CLAMP - MIKALOR	2
44	47602.01	ADAPTOR - SPECIAL	1
45	47607.01	ADAPTOR 1.1/2"BSP FEMALE 135°	1

PTO/GEARBOX/PUMPS ELECTRIC - 77.107.03

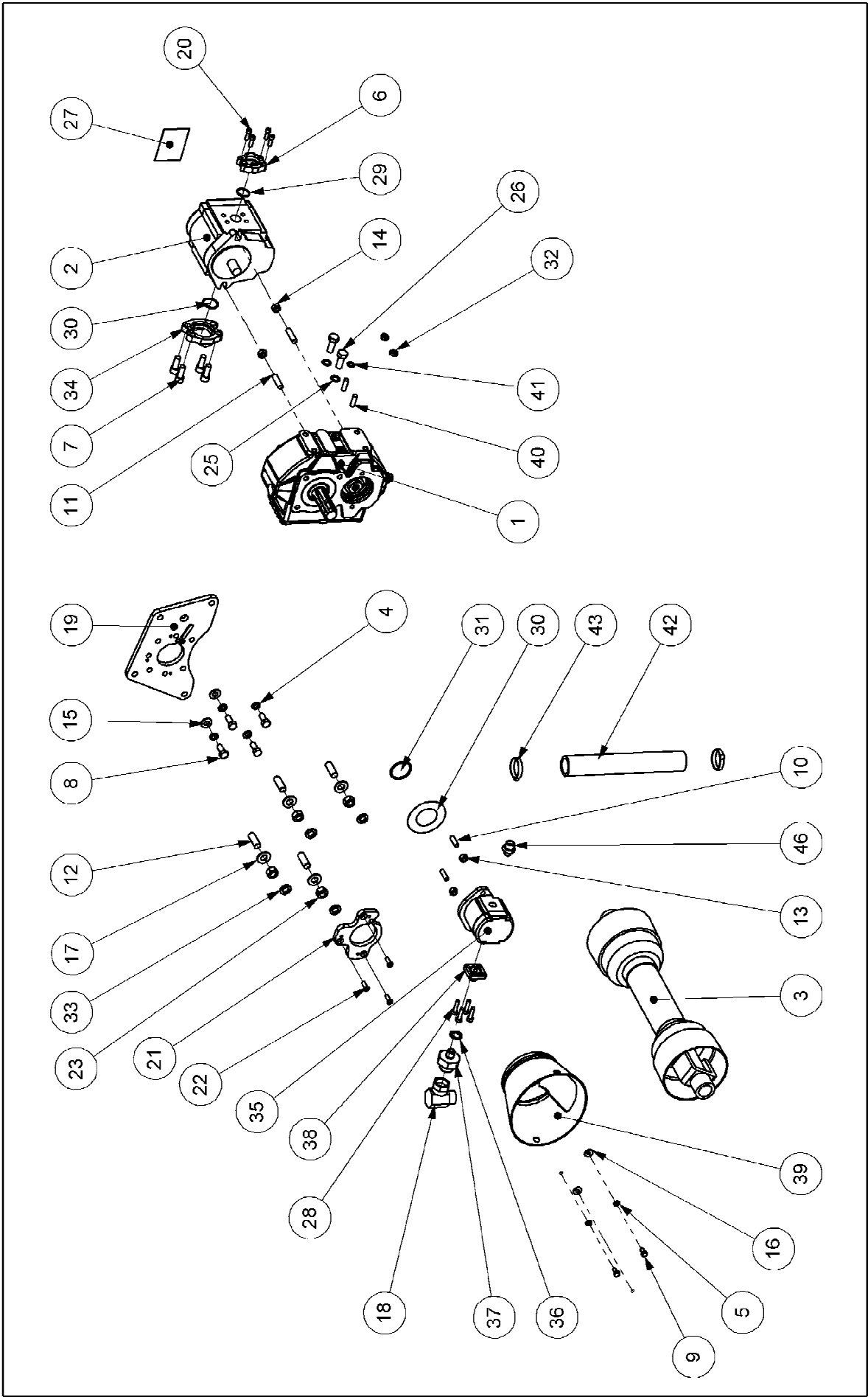


PTO/GEARBOX/PUMPS ELECTRIC - 77.107.03

77.107.03 - PTO/GEARBOX/PUMPS LH

ITEM NO.	PART NUMBER	DESCRIPTION	QTY.
1	47487.02	GEARBOX CAST IRON	1
2	09.536.03	GEAR PUMP 3P EX HANDLEY	1
3	41624.01	PTO (560CC) T50 SERIES	1
4	05.282.03	SPRING WASHER M12	4
5	05.282.01	SPRING WASHER M8	2
6	41.294.01	SPLIT FLANGE PAIR 1.1/2"SAE	1
7	01.697.03	SPLIT FLANGE	2
8	05.264.23	SETSCREW M12x30	4
9	05.839.03	SETSCREW M8X16	2
10	03.100.01	STUD M10x34	2
11	04.282.74	STUD M12X46	2
12	04.282.49	STUD M16 X 45	4
13	05.287.02	SELF-LOCKING NUT M10	2
14	05.287.03	SELF-LOCKING NUT M12	2
15	05.281.03	FLAT WASHER M12	2
16	05.281.01	FLAT WASHER M8	2
17	05.281.04	FLAT WASHER M16	4
18	05.835.02	90 ADAPTOR M/F SWIVEL	1
19	46707.38	PLATE	1
20	05.657.01	SOCKET CAPSCREW 5/16" X 7/8	4
21	46707.39	PLATE	1
22	05.345.13	SOCKET CSK SCREW M8X25	3
23	05.286.04	NUT M16	4
24	GASKET 41421.01	GASKET 41421.01	1
25	05.283.07	SHAKEPROOF WASHER 14MM	2
26	05.839.01	BOLT M14 X 2.0P X 35 LG	2
27	46749.02	BIMA GBOX DECAL	1
28	05.256.13	SETSCREW 3/8"	4
29	30.210.92	O RING 200-121-4490	1
30	8600124	O RING 200-219-4490	1
31	8600303	O RING 200-225-4490	1
32	9133005	M10 THIN PLAIN NUT	2
33	09.537.32	GEAR PUMP EX HANDLEY	1
34	05.290.05	BONDED SEAL 1/2" BSP	1
35	30.059.84	ADAPTOR	1
36	09.745.01	ADAPTOR FLANGE 3/8"	1
37	08.548.05	GUARD - PTO	1
38	03.100.02	STUD M10 X 32	2
39	46127.01	PIPE - HYDRAULIC 1" BSP	1
40	05.282.04	SPRING WASHER M16	4

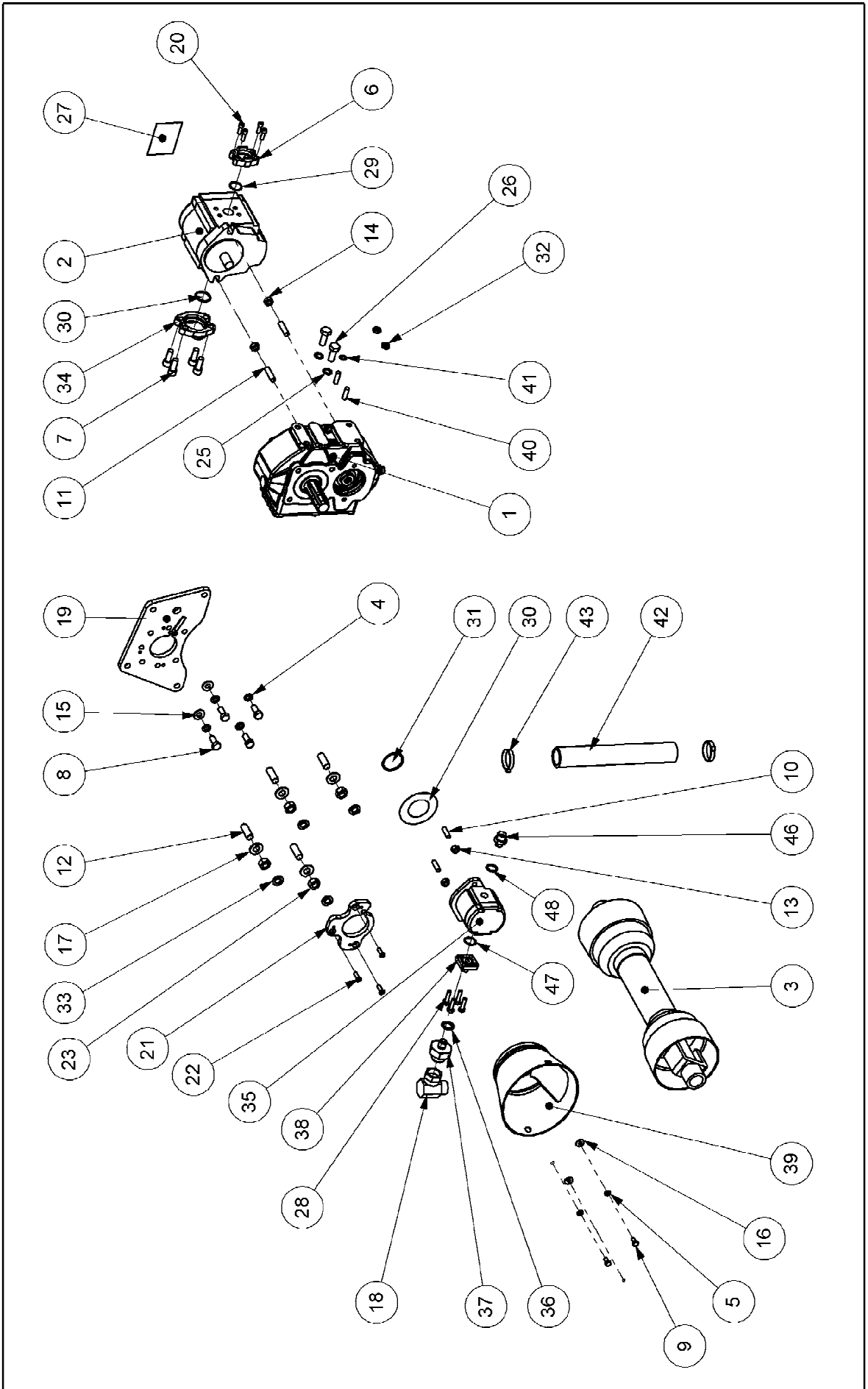
PTO/GEARBOX/PUMPS ELECTRIC RH - 77.107.04



PTO/GEARBOX/PUMPS ELECTRIC RH - 77.107.04

ITEM NO.	PART NUMBER	DESCRIPTION	QTY.
1	47487.02	GEARBOX CAST IRON	1
2	09.536.03	GEAR PUMP 3P EX HANDLEY	1
3	41624.01	PTO (560CC) T50 SERIES	1
4	05.282.03	SPRING WASHER M12	4
5	05.282.01	SPRING WASHER M8	2
6	01.697.03	SPLIT FLANGE	2
7	0342104	SOCKET CAPSCREW	4
8	05.264.23	SETSCREW M12x30	4
9	05.839.03	SETSCREW M8X16	2
10	03.100.01	STUD M10x34	2
11	04.282.74	STUD M12X46	2
12	04.282.49	STUD M16 X 45	4
13	05.287.02	SELF-LOCKING NUT M10	2
14	05.287.03	SELF-LOCKING NUT M12	2
15	05.281.03	FLAT WASHER M12	2
16	05.281.01	FLAT WASHER M8	2
17	05.281.04	FLAT WASHER M16	4
18	05.835.02	90 ADAPTOR M/F SWIVEL	1
19	46707.38	PLATE	1
20	05.657.01	SOCKET CAPSCREW 5/16" X 7/8	4
21	46707.40	PLATE	1
22	05.345.13	SOCKET CSK SCREW M8X25	3
23	05.286.04	NUT M16	4
24	GASKET 41421.01	GASKET 41421.01	1
25	05.283.07	SHAKEPROOF WASHER 14MM	2
26	05.839.01	BOLT M14 X 2.0P X 35 LG	2
27	46749.02	BIMA GBOX DECAL	1
28	05.256.13	SETSCREW 3/8"	4
29	30.210.92	O RING 200-121-4490	1
30	8600124	O RING 200-219-4490	1
31	8600303	O RING 200-225-4490	1
32	9133005	M10 THIN PLAIN NUT	2
33	05.282.04	SPRING WASHER M16	4
34	41.294.04	SPLIT FLANGE 1.5"	1
35	09.537.03	GEAR PUMP 1PX150	1
36	05.290.05	BONDED SEAL 1/2" BSP	1
37	30.059.84	ADAPTOR	1
38	09.745.01	ADAPTOR FLANGE 3/8"	1
39	08.548.05	GUARD - PTO	1
40	03.100.02	STUD M10 X 32	2
41	05.283.02	SHAKEPROOF WASHER 10M	4
42	10.024.21	HOSE 1.1/2" X 320 PLAIN	1
43	47603.01	CLAMP - MIKALOR	2
44	47602.01	ADAPTOR - SPECIAL	1
45	47607.01	ADAPTOR 1.1/2"BSP FEMALE 135°	1
46	05.123.01	ADAPTOR 3/8"BSPx1/2"BSP	1

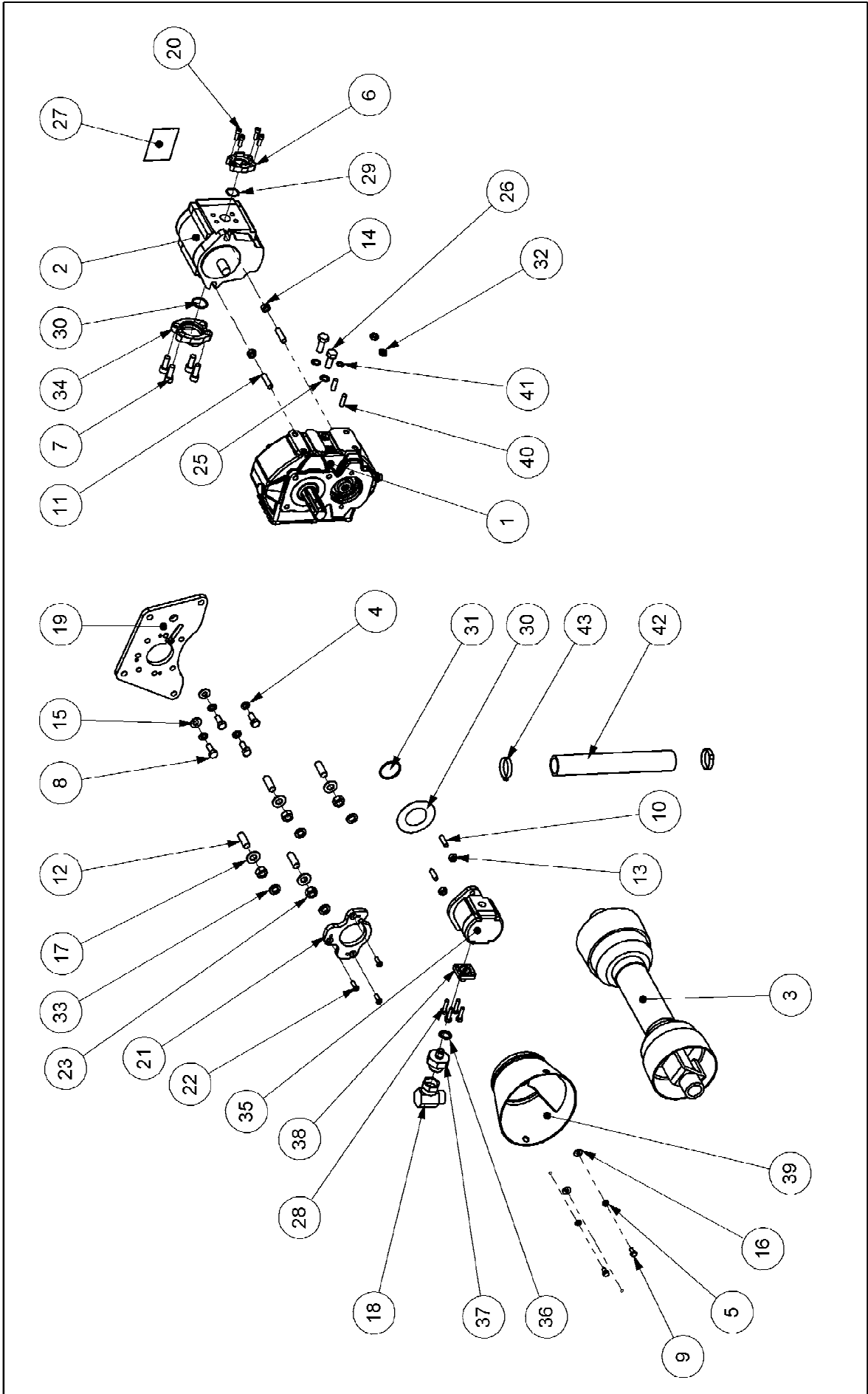
PTO/GEARBOX/PUMPS WALT - 77.107.10



PTO/GEARBOX/PUMPS WALT - 77.107.10

ITEM NO.	PART NUMBER	DESCRIPTION	QTY.
1	47487.02	GEARBOX CAST IRON	1
2	09.536.03	GEAR PUMP 3P EX HANDLEY	1
3	41624.01	PTO (560CC) T50 SERIES	1
4	05.282.03	SPRING WASHER M12	4
5	05.282.01	SPRING WASHER M8	2
6	01.697.03	SPLIT FLANGE	2
7	0342104	SOCKET CAPSCREW	4
8	05.264.23	SETSCREW M12X30	4
9	05.839.03	SETSCREW M8X16	2
10	03.100.01	STUD M10x34	2
11	04.282.74	STUD M12X46	2
12	04.282.49	STUD M16 X 45	4
13	05.287.02	SELF-LOCKING NUT M10	2
14	05.287.03	SELF-LOCKING NUT M12	2
15	05.281.03	FLAT WASHER M12	2
16	05.281.01	FLAT WASHER M8	2
17	05.281.04	FLAT WASHER M16	4
18	05.835.02	90 ADAPTOR M/F SWIVEL	1
19	46707.38	PLATE	1
20	05.657.01	SOCKET CAPSCREW 5/16" X 7/8	4
21	46707.40	PLATE	1
22	05.345.13	SOCKET CSK SCREW M8X25	3
23	05.286.04	NUT M16	4
24	GASKET 41421.01	GASKET 41421.01	1
25	05.283.07	SHAKEPROOF WASHER 14MM	2
26	05.839.01	BOLT M14 X 2.0P X 35 LG	2
27	46749.02	BIMA GBOX DECAL	1
28	05.256.13	SETSCREW 3/8"	4
29	30.210.92	O RING 200-121-4490	1
30	8600124	O RING 200-219-4490	1
31	8600303	O RING 200-225-4490	1
32	9133005	M10 THIN PLAIN NUT	2
33	05.282.04	SPRING WASHER M16	4
34	41.294.04	SPLIT FLANGE 1.5"	1
35	09.537.03	GEAR PUMP 1PX150	1
36	05.290.05	BONDED SEAL 1/2" BSP	1
37	30.059.84	ADAPTOR	1
38	09.745.01	ADAPTOR FLANGE 3/8"	1
39	08.548.05	GUARD - PTO	1
40	03.100.02	STUD M10 X 32	2
41	05.283.02	SHAKEPROOF WASHER 10M	4
42	10.024.21	HOSE 1.1/2" X 320 PLAIN	1
43	47603.01	CLAMP - MIKALOR	2
44	47602.01	ADAPTOR - SPECIAL	1
45	47607.01	ADAPTOR 1.1/2"BSP FEMALE 135°	1
46	05.123.01	ADAPTOR 3/8"BSPx1/2"BSP	1
47	05.656.01	O RING 28 I/D X 2.5	1
48	05.656.03	O RING 25 I/D X 3.53	1

PTO/GEARBOX/PUMPS WALT - 77.107.11



PTO/GEARBOX/PUMPS WALT - 77.107.11

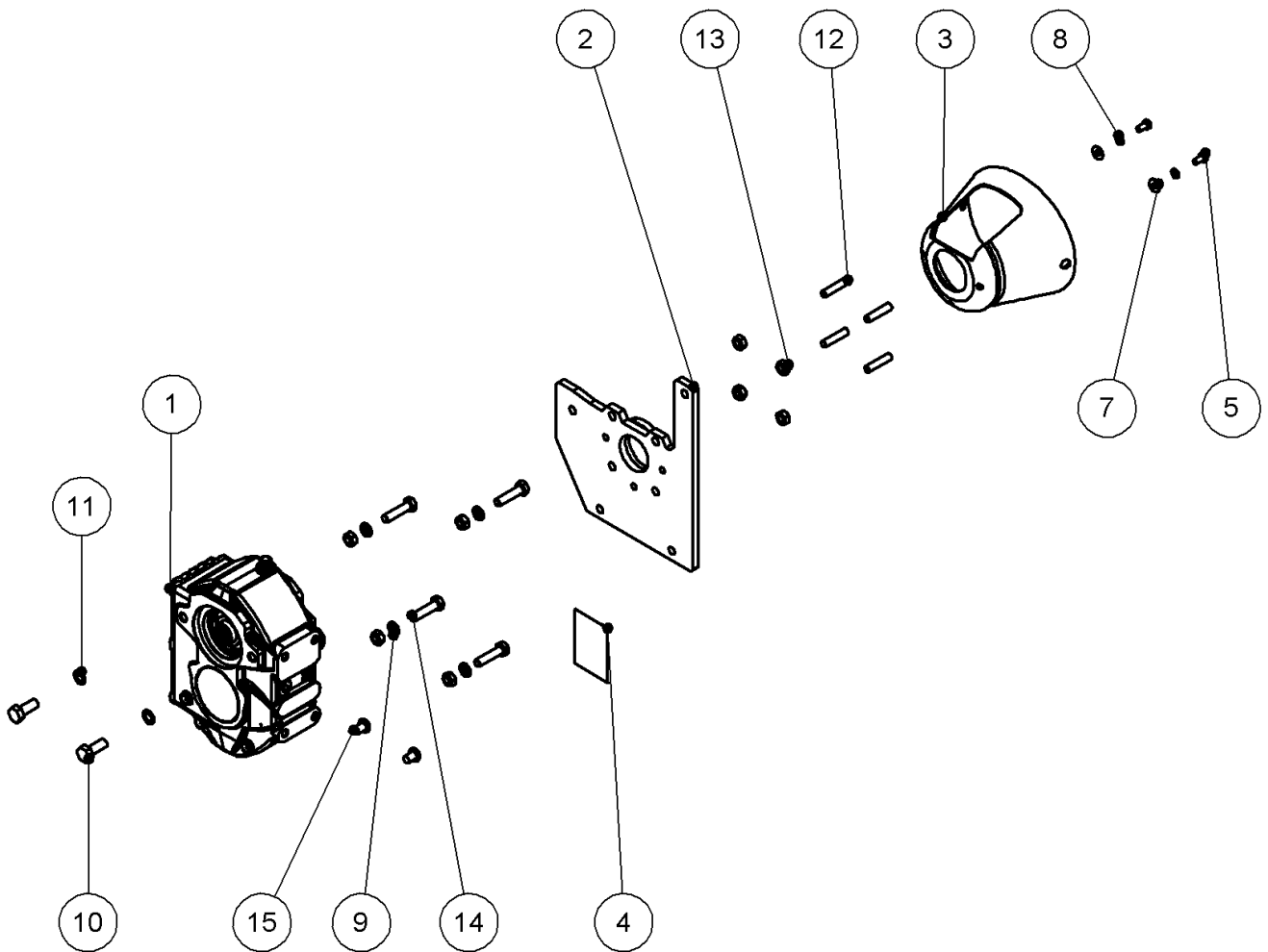
ITEM NO.	PART NUMBER	DESCRIPTION	QTY.
1	47487.02	GEARBOX CAST IRON	1
2	09.536.03	GEAR PUMP 3P EX HANDLEY	1
3	41624.01	PTO (560CC) T50 SERIES	1
4	05.282.03	SPRING WASHER M12	4
5	05.282.01	SPRING WASHER M8	2
6	01.697.03	SPLIT FLANGE	2
7	0342104	SOCKET CAPSCREW	4
8	05.264.23	SETSCREW M12x30	4
9	05.839.03	SETSCREW M8X16	2
10	03.100.01	STUD M10x34	2
11	04.282.74	STUD M12X46	2
12	04.282.49	STUD M16 X 45	4
13	05.287.02	SELF-LOCKING NUT M10	2
14	05.287.03	SELF-LOCKING NUT M12	2
15	05.281.03	FLAT WASHER M12	2
16	05.281.01	FLAT WASHER M8	2
17	05.281.04	FLAT WASHER M16	4
18	05.835.02	90 ADAPTOR M/F SWIVEL	1
19	46707.38	PLATE	1
20	05.657.01	SOCKET CAPSCREW 5/16" X 7/8	4
21	46707.40	PLATE	1
22	05.345.13	SOCKET CSK SCREW M8X25	3
23	05.286.04	NUT M16	4
24	GASKET 41421.01	GASKET 41421.01	1
25	05.283.07	SHAKEPROOF WASHER 14MM	2
26	05.839.01	BOLT M14 X 2.0P X 35 LG	2
27	46749.02	BIMA GBOX DECAL	1
28	05.256.13	SETSCREW 3/8"	4
29	30.210.92	O RING 200-121-4490	1
30	8600124	O RING 200-219-4490	1
31	8600303	O RING 200-225-4490	1
32	9133005	M10 THIN PLAIN NUT	2
33	05.282.04	SPRING WASHER M16	4
34	41.294.04	SPLIT FLANGE 1.5"	1
35	09.537.03	GEAR PUMP 1PX150	1
36	05.290.05	BONDED SEAL 1/2" BSP	1
37	30.059.84	ADAPTOR	1
38	09.745.01	ADAPTOR FLANGE 3/8"	1
39	08.548.05	GUARD - PTO	1
40	03.100.02	STUD M10 X 32	2
41	05.283.02	SHAKEPROOF WASHER 10M	4
42	10.024.21	HOSE 1.1/2" X 320 PLAIN	1
43	47603.01	CLAMP - MIKALOR	2
44	47602.01	ADAPTOR - SPECIAL	1
45	47607.01	ADAPTOR 1.1/2"BSP FEMALE 135°	1

PTO/GEARBOX/PUMP CAST - 77.107.12

77.107.12 - PTO/GEARBOX/PUMPS CAST

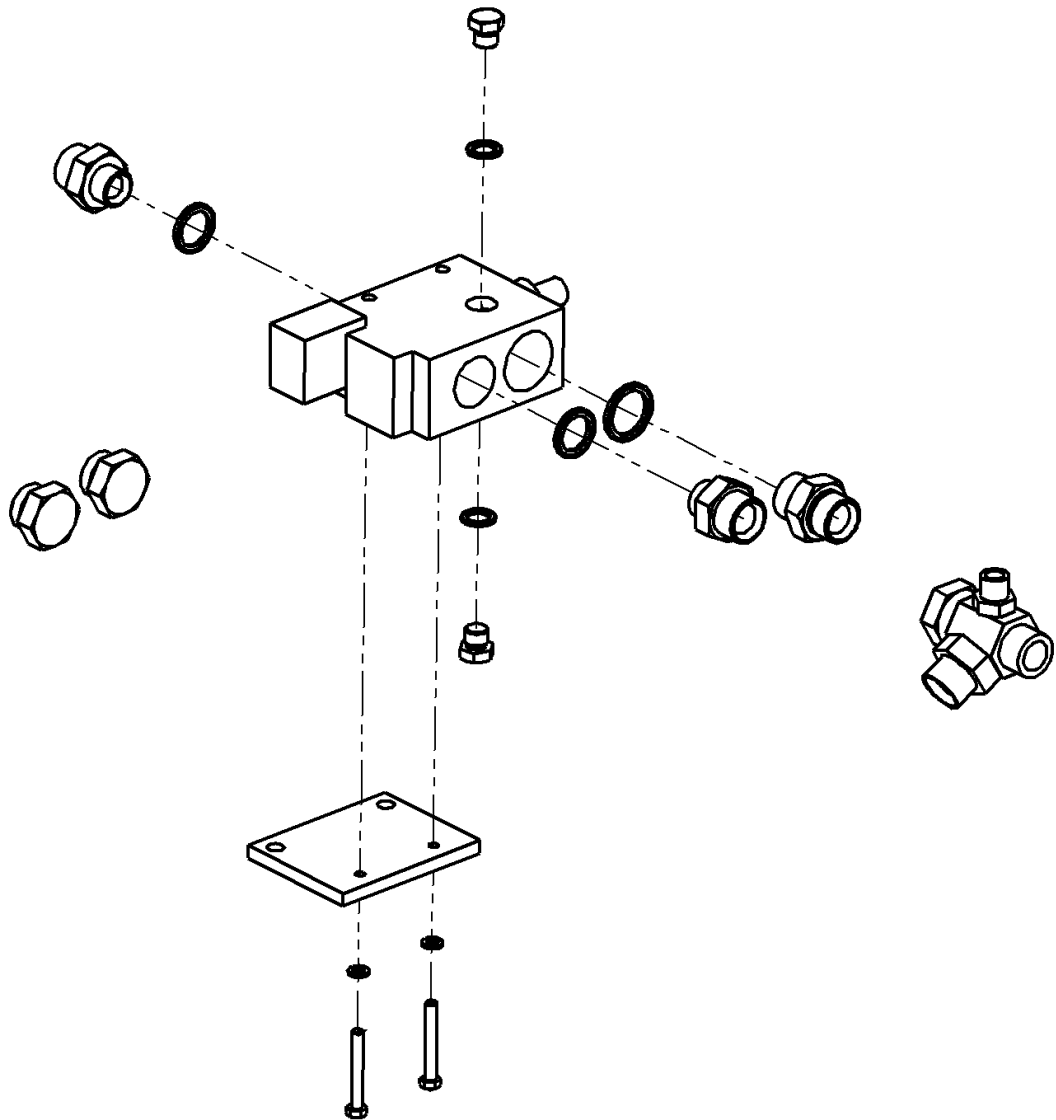
ITEM NO.	PART NUMBER	DESCRIPTION	QTY.
1	47487.02	GEARBOX CAST IRON	1
2	42233.01	PUMP	1
3	41624.01	PTO (560CC) T50 SERIES	1
4	05.282.03	SPRING WASHER M12	4
5	05.282.01	SPRING WASHER M8	2
6	41.294.01	SPLIT FLANGE PAIR 1.1/2"SAE	1
7	01.697.03	SPLIT FLANGE	2
8	0342104	SOCKET CAPSCREW	4
9	05.264.23	SETSCREW M12x30	4
10	05.839.03	SETSCREW M8X16	2
11	03.100.01	STUD M10x34	2
12	04.282.74	STUD M12X46	2
13	04.282.49	STUD M16 X 45	4
14	05.287.02	SELF-LOCKING NUT M10	2
15	05.287.03	SELF-LOCKING NUT M12	2
16	05.281.03	FLAT WASHER M12	2
17	05.281.01	FLAT WASHER M8	2
18	05.281.04	FLAT WASHER M16	4
19	05.373.01	ADAPTOR 3/4"BSPx1"BSP	1
20	08.548.05	GUARD - PTO	1
21	05.835.02	90 ADAPTOR M/F SWIVEL	1
22	46707.38	PLATE	1
23	05.657.01	SOCKET CAPSCREW 5/16" X 7/8	4
24	46707.39	PLATE	1
25	05.345.13	SOCKET CSK SCREW M8X25	3
26	05.286.04	NUT M16	4
27	GASKET 41421.01	GASKET 41421.01	1
28	05.283.07	SHAKEPROOF WASHER 14MM	2
29	05.839.01	BOLT M14 X 2.0P X 35 LG	2
30	46749.02	BIMA GBOX DECAL	1
31	05.256.13	SETSCREW 3/8"	4
32	30.210.92	O RING 200-121-4490	1
33	8600124	O RING 200-219-4490	1
34	8600303	O RING 200-225-4490	1
35	9133005	M10 THIN PLAIN NUT	2
36	05.282.04	SPRING WASHER M16	4
37	09.537.32	GEAR PUMP EX HANDLEY	1
38	05.290.05	BONDED SEAL 1/2" BSP	1
39	09.745.01	ADAPTOR FLANGE 3/8"	1

GEARBOX ASSY PISTON FALCON - 77.270.12



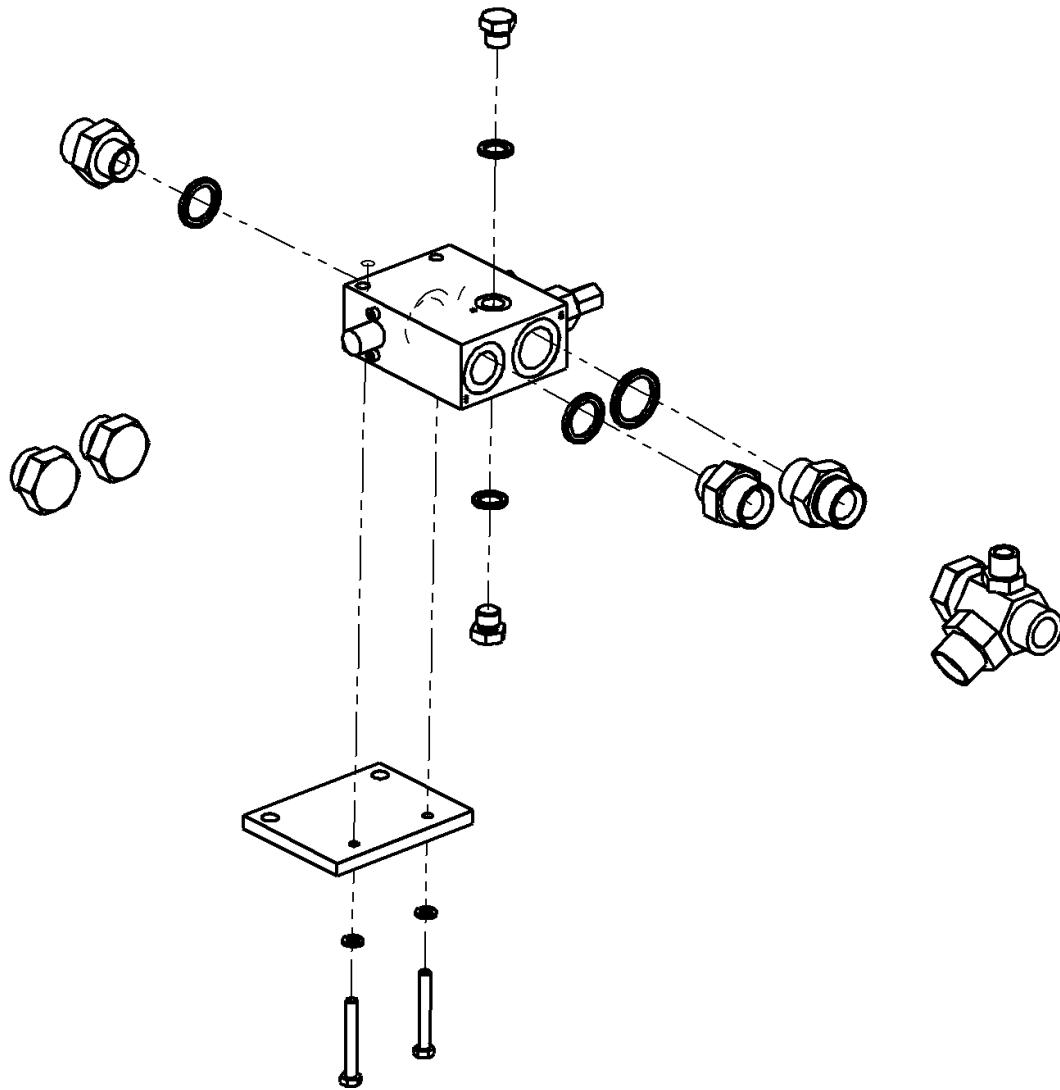
ITEM NO.	PART NUMBER	DESCRIPTION	QTY.
1	47487.01	BIMA REG GBOX	1
2	46707.24	GBOX MTG PLATE	1
3	08.548.05	GUARD - PTO	1
4	46749.02	BIMA GBOX DECAL	1
5	05.839.03	SETSCREW M8X16	2
6	05.264.23	SETSCREW M12x30	4
7	05.281.01	FLAT WASHER M8	2
8	05.282.01	SPRING WASHER M8	2
9	05.282.03	SPRING WASHER M12	6
10	05.839.01	BOLT M14 X 2.0P X 35 LG	2
11	05.283.07	SHAKEPROOF WASHER 14MM	2
12	04.282.74	M12 x 39 STUD	4
13	05.287.03	SELF-LOCKING NUT M12	8
14	05.291.25	BOLT M12x50	4
15	05.625.33	DOMED HD SOCKET CAP	2

PUMP CIRCUIT ELECTRIC - 77.126.01



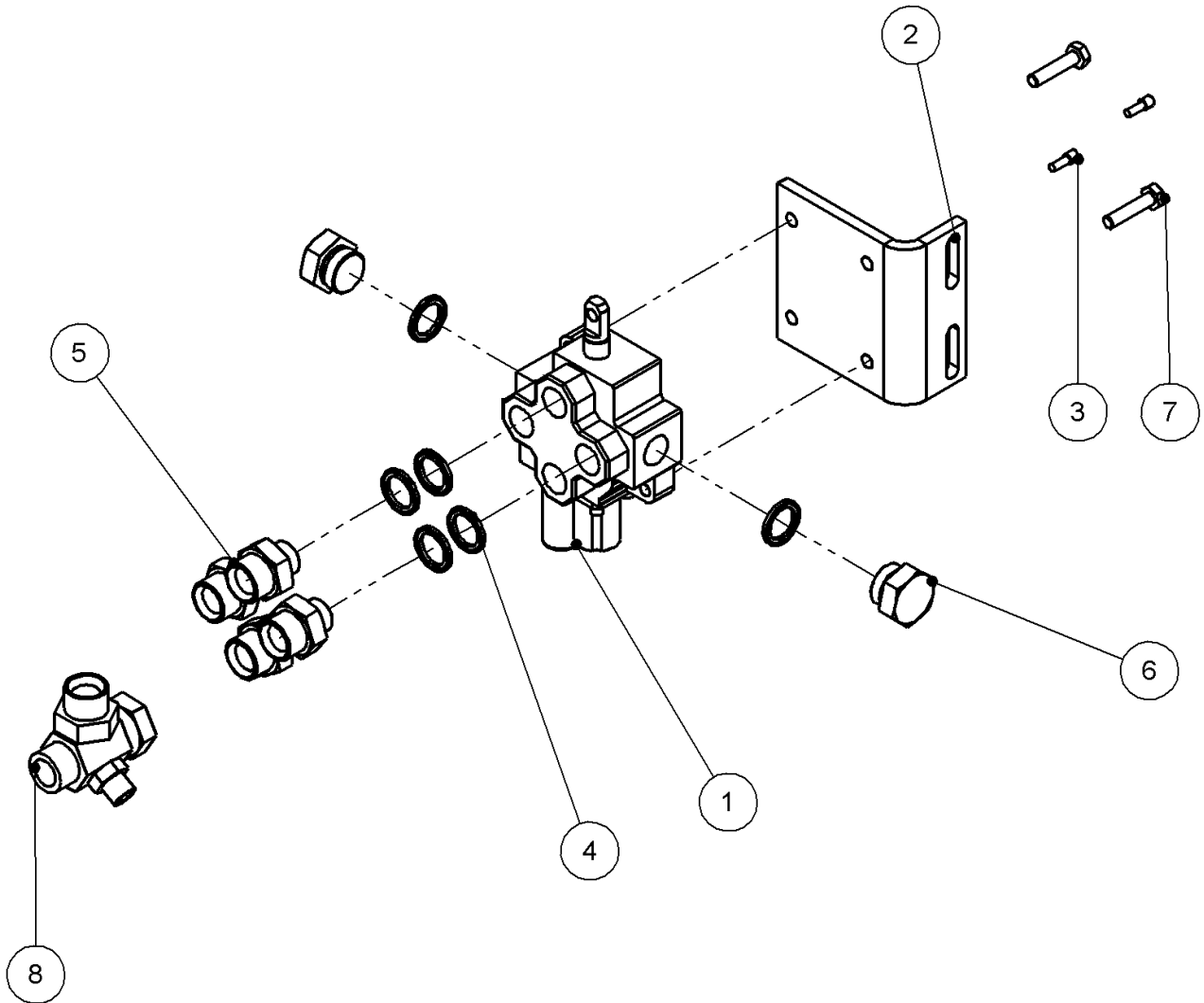
ITEM NO.	PART NUMBER	DESCRIPTION	QTY.
1	08.943.01	RELIEF VALVE/DIVERTER - ELECT	1
2	46058.01	PLATE - VALVE MOUNTING	1
3	05.290.07	BONDED SEAL 1" BSP	1
4	05.290.06	BONDED SEAL 3/4" BSP	2
5	05.290.04	BONDED SEAL 3/8" BSP	2
6	05.291.07	BOLT M8x60	2
7	05.282.01	SPRING WASHER M8	2
8	05.434.01	ADAPTOR 1"BSP MM	3
9	05.373.01	ADAPTOR 3/4"BSPx1"BSP	2
10	05.433.01	PLUG 3/8"BSP	2
11	05.433.03	PLUG 1" BSP	2
12	04.056.02	ADAPTOR	1

PUMP CIRCUIT CABLE - 77.126.02



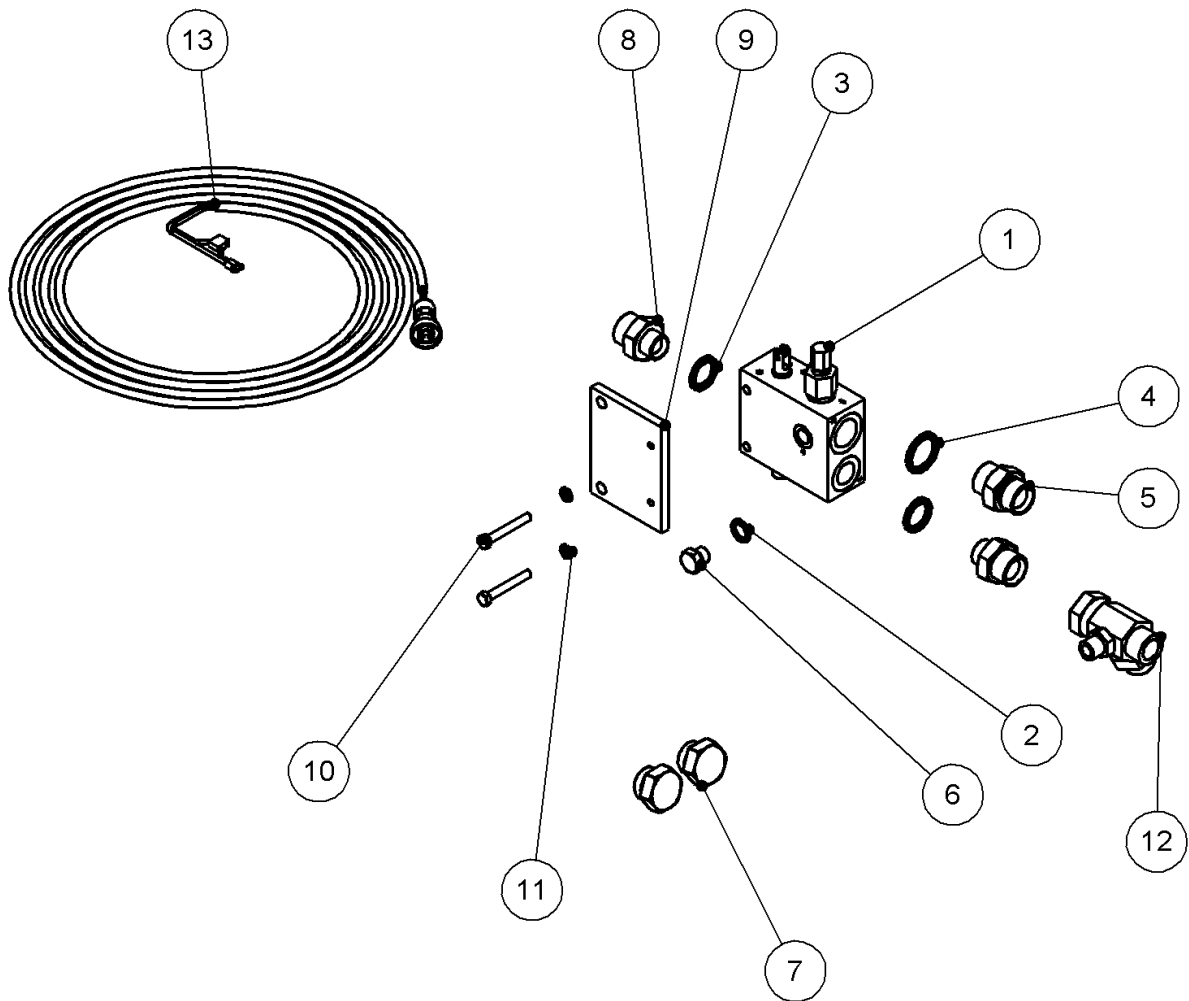
ITEM NO.	PART NUMBER	DESCRIPTION	QTY.
1	06.284.16	DIVERTOR / RELIEF ASSY 209 BAR	1
2	46058.01	PLATE - VALVE MOUNTING	1
3	05.290.07	BONDED SEAL 1" BSP	1
4	05.290.06	BONDED SEAL 3/4" BSP	2
5	05.290.04	BONDED SEAL 3/8" BSP	2
6	05.291.07	BOLT M8x60	2
7	05.282.01	SPRING WASHER M8	2
8	05.434.01	ADAPTOR 1"BSP MM	3
9	05.373.01	ADAPTOR 3/4"BSPx1"BSP	2
10	05.433.01	PLUG 3/8"BSP	2
11	05.433.03	PLUG 1" BSP	2
12	04.056.02	ADAPTOR	1

PUMP CIRCUIT CABLE DSR - 77.126.03



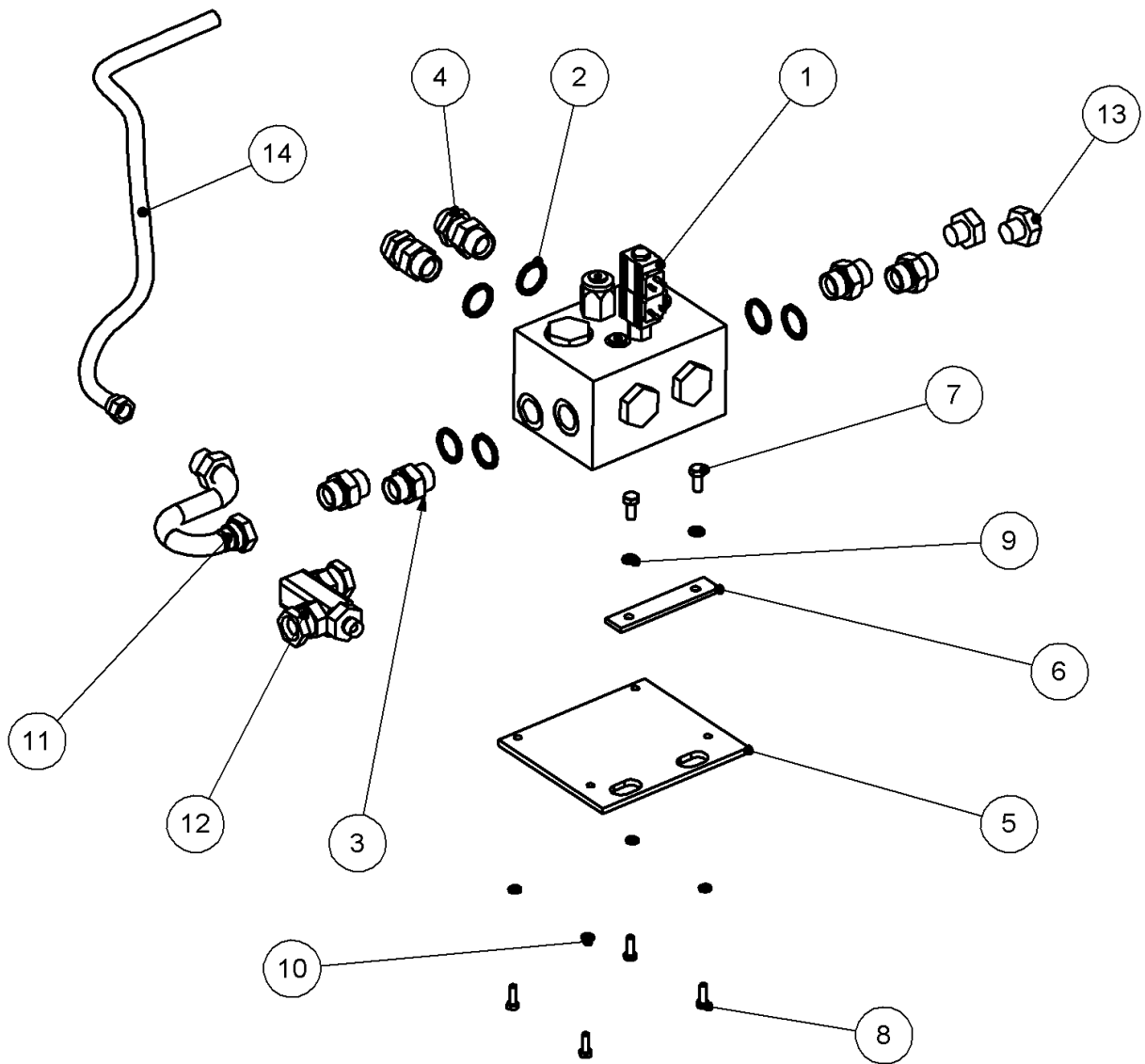
ITEM NO.	PART NUMBER	DESCRIPTION	QTY.
1	8125385	RCV 207BAR LH	1
2	46095.01	PLATE - VALVE MOUNTING	1
3	9343033	M6 X 16 SOCKET HEAD	2
4	05.290.06	BONDED SEAL 3/4" BSP	6
5	05.373.01	ADAPTOR 3/4"BSPx1"BSP	4
6	05.433.03	PLUG 1" BSP	2
7	05.291.14	BOLT M10x45	2
8	04.056.02	ADAPTOR	1

PUMP CIRCUIT CABLE - 77.126.04



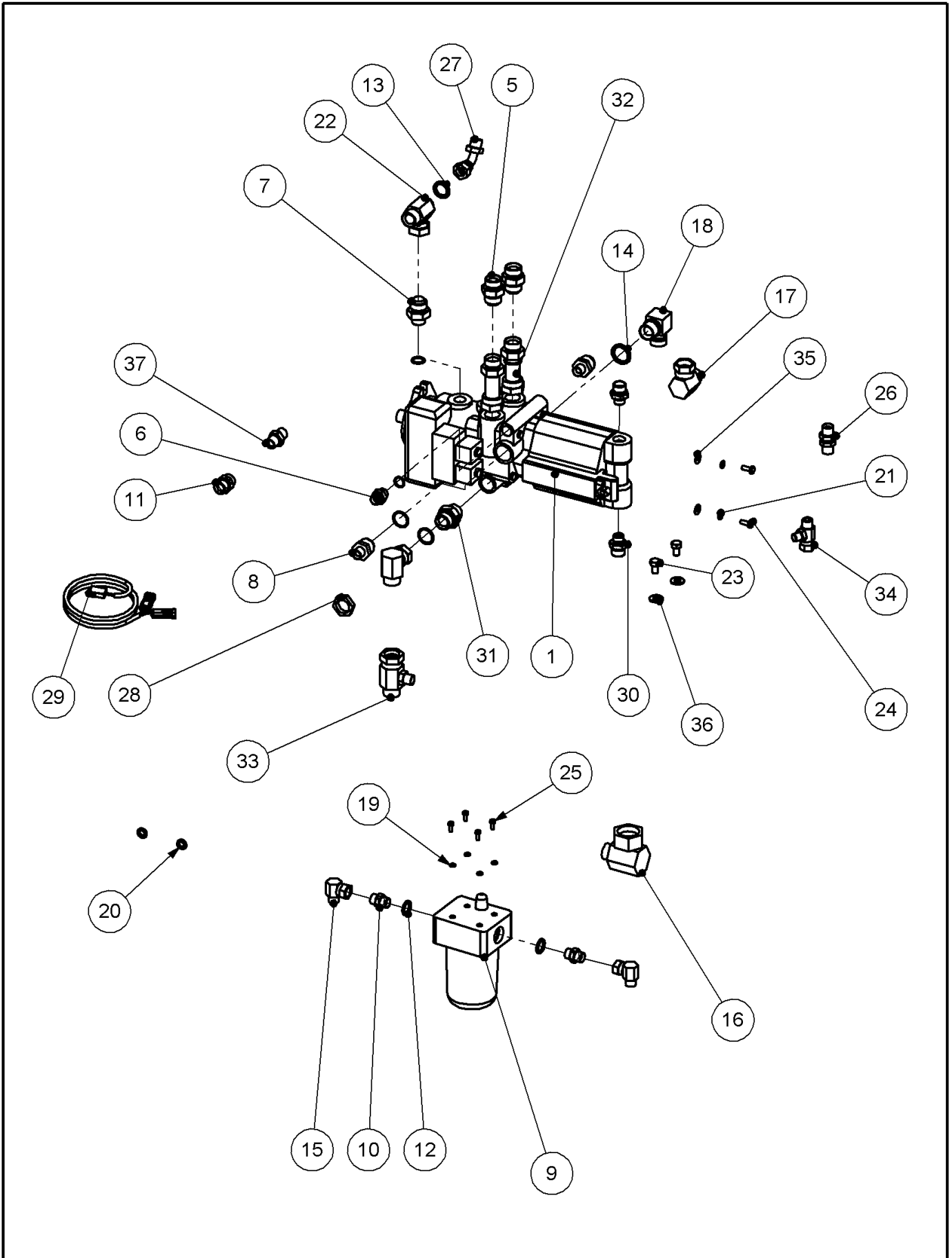
ITEM NO.	PART NUMBER	DESCRIPTION	QTY.
1	06.284.16	DIVERTOR / RELIEF ASSY 209 BAR	1
2	05.290.04	BONDED SEAL 3/8" BSP	2
3	05.290.06	BONDED SEAL 3/4" BSP	2
4	05.290.07	BONDED SEAL 1" BSP	1
5	05.434.01	ADAPTOR 1"BSP MM	3
6	05.433.01	PLUG 3/8"BSP	2
7	05.433.03	PLUG 1" BSP	2
8	05.373.01	ADAPTOR 3/4"BSPx1"BSP	2
9	46058.01	PLATE - VALVE MOUNTING	1
10	05.291.07	BOLT M8x60	2
11	05.282.01	SPRING WASHER M8	2
12	04.056.02	ADAPTOR	1
13	09.968.10	CABLE ASSY TMC - 4.0M	1

PUMP CIRCUIT ELECTRIC - 77.126.28



ITEM NO.	PART NUMBER	DESCRIPTION	QTY.
1	42768.01	VALVE RCV ELECTRIC	1
2	05.290.07	BONDED SEAL 1" BSP	6
3	05.434.01	ADAPTOR 1"BSP MM	4
4	08.128.03	BULKHEAD FITTING 1" BSP	2
5	46819.01	PLATE - ELEC DSR	1
6	46818.01	CLAMP - DSR PLATE	1
7	05.264.12	SETSCREW M10x25	2
8	05.264.02	SETSCREW M8x25	4
9	05.282.02	SPRING WASHER M10	2
10	05.282.01	SPRING WASHER M8	4
11	46127.03	PIPE - HYDRAULIC	1
12	46820.01	PIPE - DSR - FILTER	1
13	05.433.03	1"BSP PLUG	2
14	05.835.05	HOSE 1"BSP	1

PUMP ASSY PISTON FALCON - 77.270.10



PUMP ASSY PISTON FALCON - 77.270.10

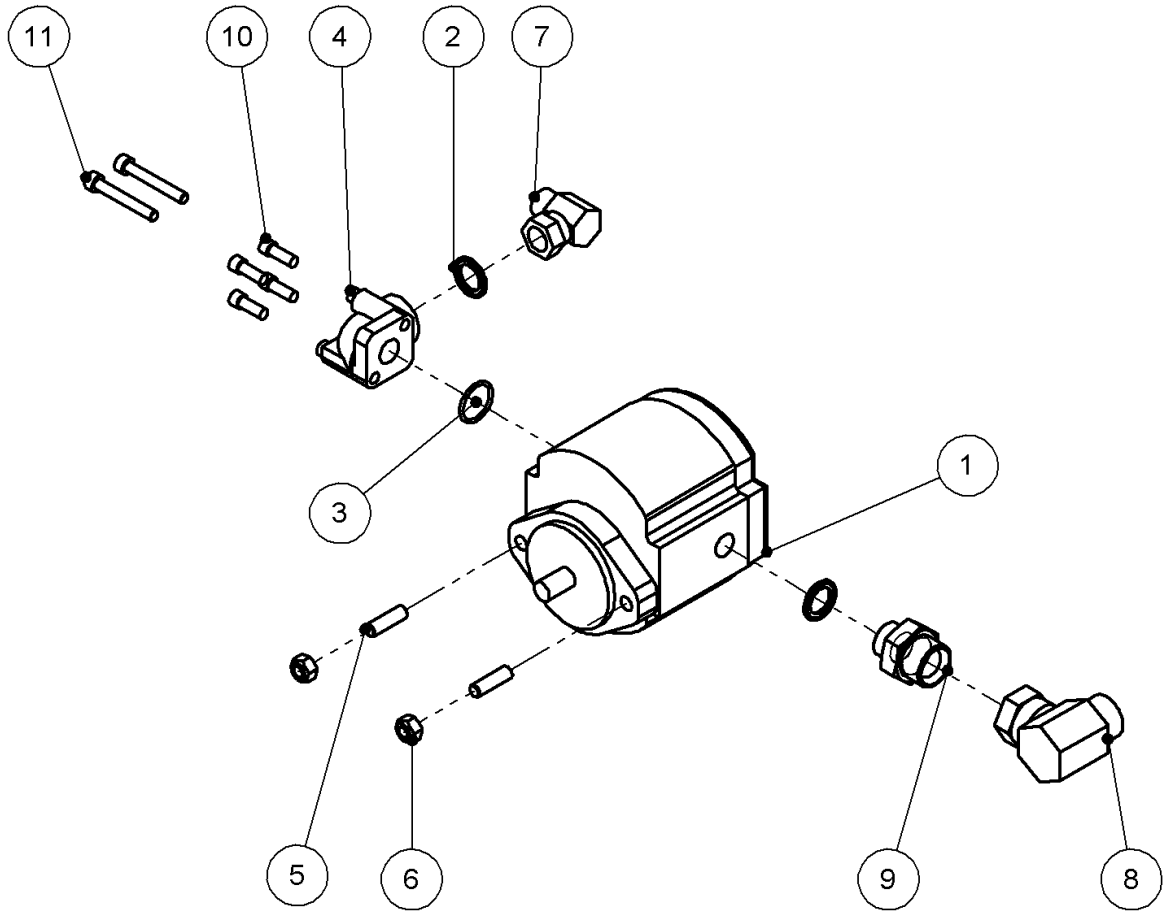
PUMP ASSY PISTON FALCON - 77.210.10

ITEM NO.	PART NUMBER	DESCRIPTION	QTY.
1	8201699	PISTON PUMP	1
2	8600916	O RING	4
3	8600910	O RING	1
4	8600912	O RING GASKET 1/1/16"	1
5	08.955.25	ADAPTOR 1"BSPx3/4-16"JIC	2
6	08.955.13	ADAPTOR 1/2"BSPx7/8"-14JIC	1
7	08.955.24	ADAPTOR 1"BSPx1.1/16"-12JIC	1
8	8581321	ADAPTOR	2
9	42281.01	PARKER FILTER	1
10	05.122.01	ADAPTOR 1/2"BSPx1/2"BSP	4
11	05.377.01	ADAPTOR 3/4"BSPx3/4"BSP	1
12	05.290.05	BONDED SEAL 1/2" BSP	2
13	05.290.06	BONDED SEAL 3/4" BSP	2
14	05.290.07	BONDED SEAL 1" BSP	1
15	05.835.05	90 ADAPTOR M/F SWIVEL	4
16	05.835.13	90 ADAPTOR M/F SWIVEL	1
17	05.835.02	90 ADAPTOR M/F SWIVEL	2
18	8581335	ADAPTOR-90 ELBOW MM	1
19	05.282.07	SPRING WASHER M6	4
20	05.282.03	SPRING WASHER M12	2
21	05.282.01	SPRING WASHER M8	2
22	04.056.51	TEE ADAPTER 1" X 5/8"	1
23	05.264.21	SETSCREW M12x20	2
24	05.264.01	SETSCREW M8x20	2
25	05.839.05	SETSCREW M6 X 16	4
26	08.128.16	ADAPTOR 5/8"BSP BULKHEAD	1
27	08.940.04	ADAPTER - SWIVEL 135	1
28	7550047	LOCKNUT 1.5/16" X 12 UNF (THIN)	1
29	42494.02	CABLE ASSY EATON/DCU	1
30	05.376.01	ADAPTOR 3/4 TO 1/2 BSP	2
31	05.434.01	ADAPTOR 1"BSP MM	1
32	45527.03	SHORT STEEL PIPE	2
33	04.056.34	TEE ADAPTOR FMM	1
34	04.056.40	TEE ADAPTOR FMM	1
35	05.281.01	FLAT WASHER M8	2
36	05.281.03	FLAT WASHER M12	2
37	8581318	ADAPTER 5/8" X 5/8"	3

* SEAL KIT - PISTON PUMP: 8699239

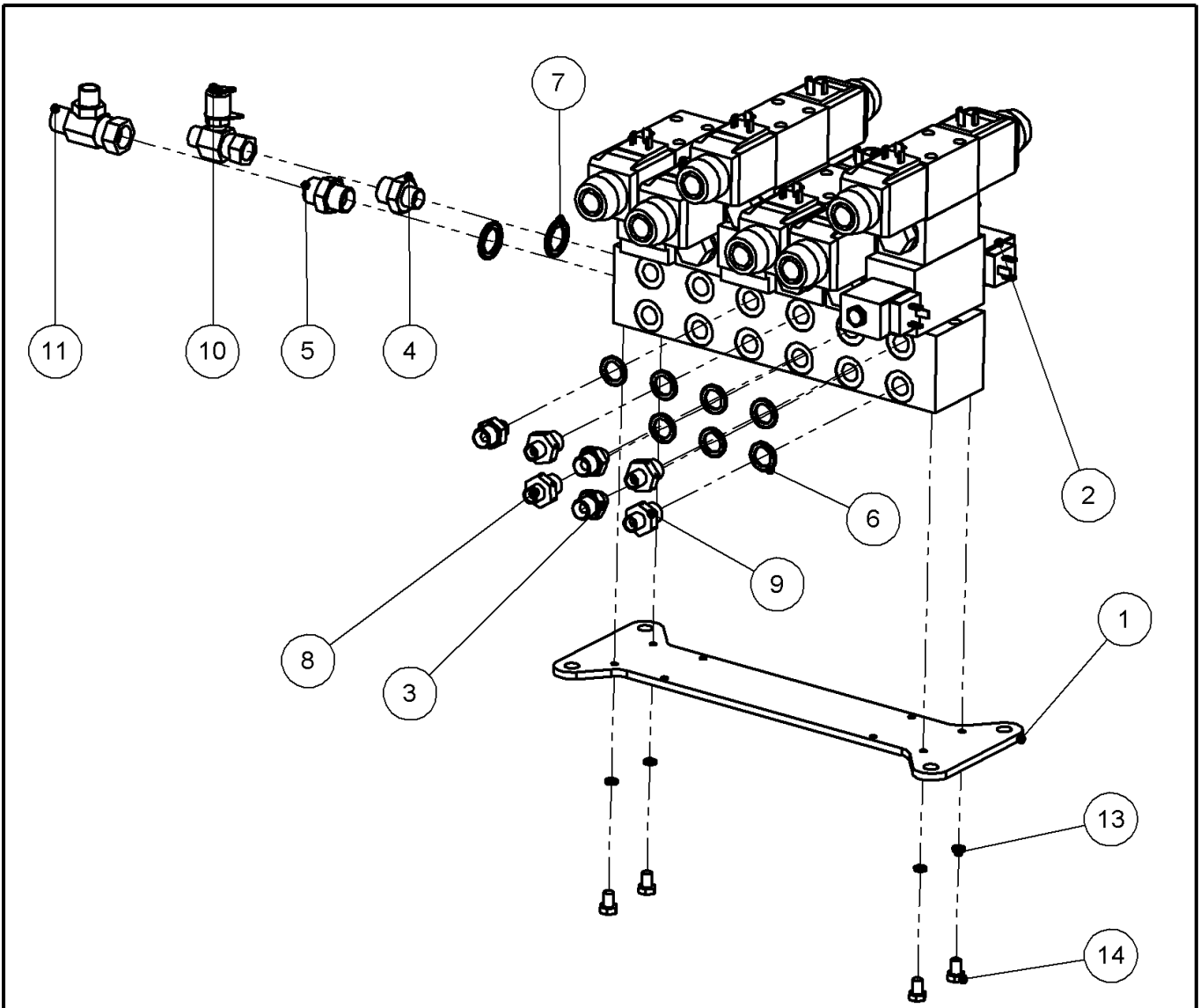
* FILTER ELEMENT: 8401067

FRONT PUMP ASSY FALCON - 77.270.11



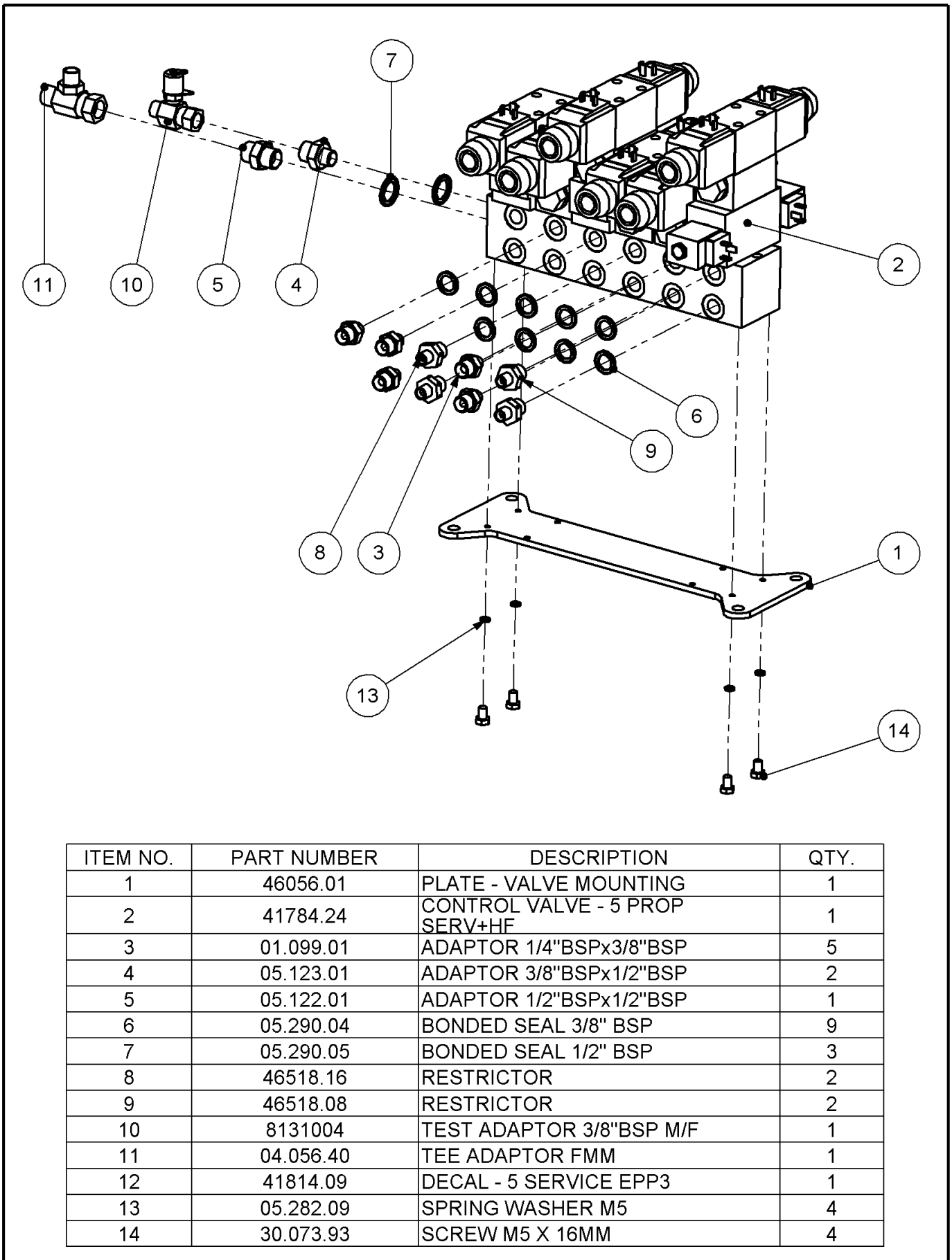
ITEM NO.	PART NUMBER	DESCRIPTION	QTY.
1	46337.01	PUMP	1
2	05.290.05	BONDED SEAL 1/2" BSP	2
3	30.210.92	O RING 200-121-4490	1
4	30.210.91	CONNECTOR 1P E4Z OUT	1
5	03.100.01	STUD M10x34	2
6	05.287.02	SELF-LOCKING NUT M10	2
7	05.835.05	90 ADAPTOR M/F SWIVEL	1
8	05.835.02	90 ADAPTOR M/F SWIVEL	1
9	05.373.01	ADAPTOR 3/4"BSPx1"BSP	1
10	05.657.01	SOCKET CAPSCREW 5/16" X 7/8	4
11	05.625.25	SKT CAPSCREW 5/16" X 2 1/4" UNC	2

VALVE ASSY - DCU 4 SERVICE - 77.132.01

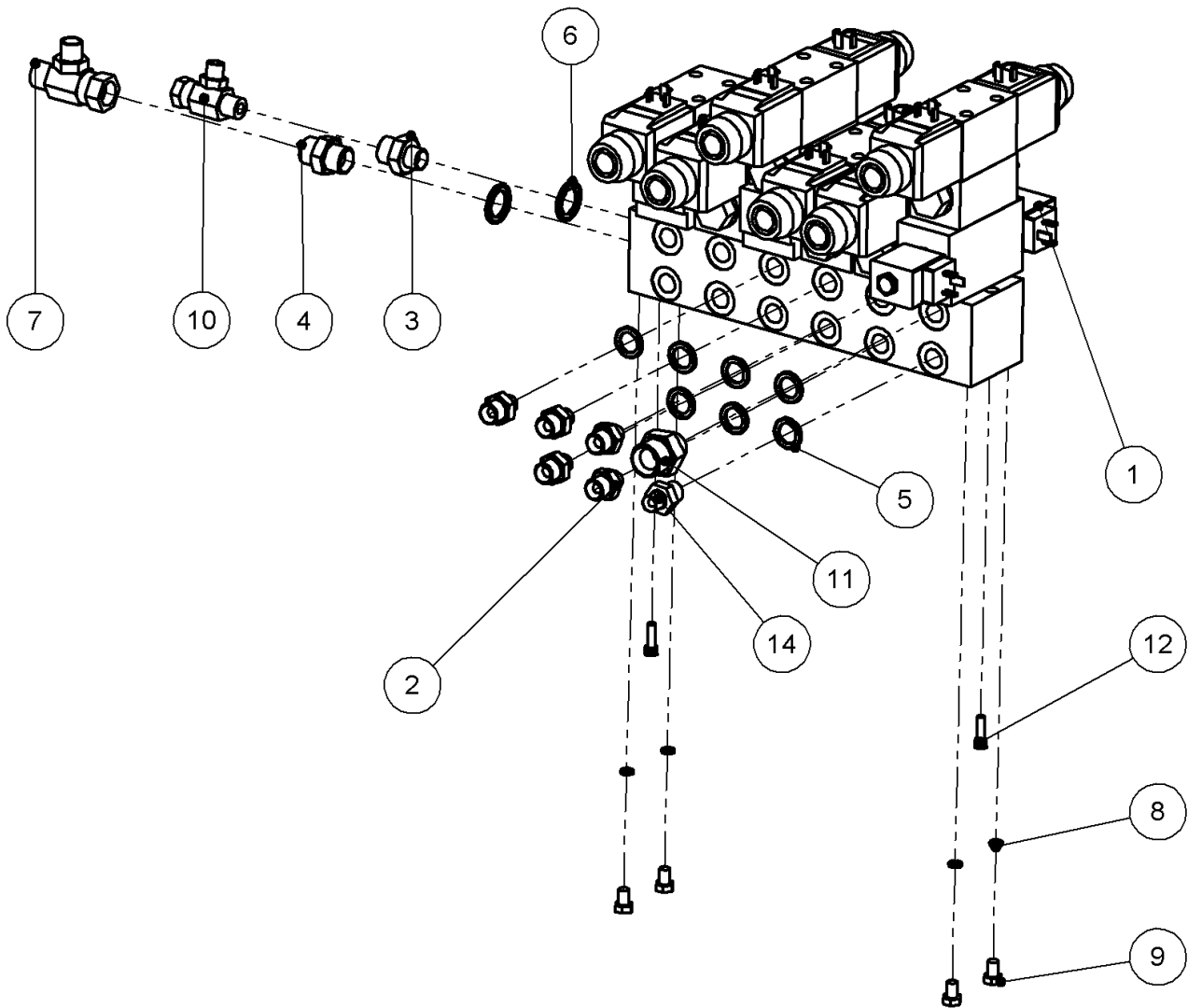


ITEM NO.	PART NUMBER	DESCRIPTION	QTY.
1	46056.01	PLATE - VALVE MOUNTING	1
2	41784.23	CONTOL VALVE- 4 PROP SER	1
3	01.099.01	ADAPTOR 1/4"BSPx3/8"BSP	3
4	05.123.01	ADAPTOR 3/8"BSPx1/2"BSP	2
5	05.122.01	ADAPTOR 1/2"BSPx1/2"BSP	1
6	05.290.04	BONDED SEAL 3/8" BSP	7
7	05.290.05	BONDED SEAL 1/2" BSP	3
8	46518.16	RESTRICTOR	2
9	46518.08	RESTRICTOR	2
10	8131004	TEST ADAPTOR 3/8"BSP M/F	1
11	04.056.40	TEE ADAPTOR FMM	1
12	41814.08	DECAL - 4 SERVICE EPP3	1
13	05.282.09	SPRING WASHER M5	4
14	30.073.93	SCREW M5 X 16MM	4

VALVE ASSY - DCU 5 SERVICE - 77.132.03

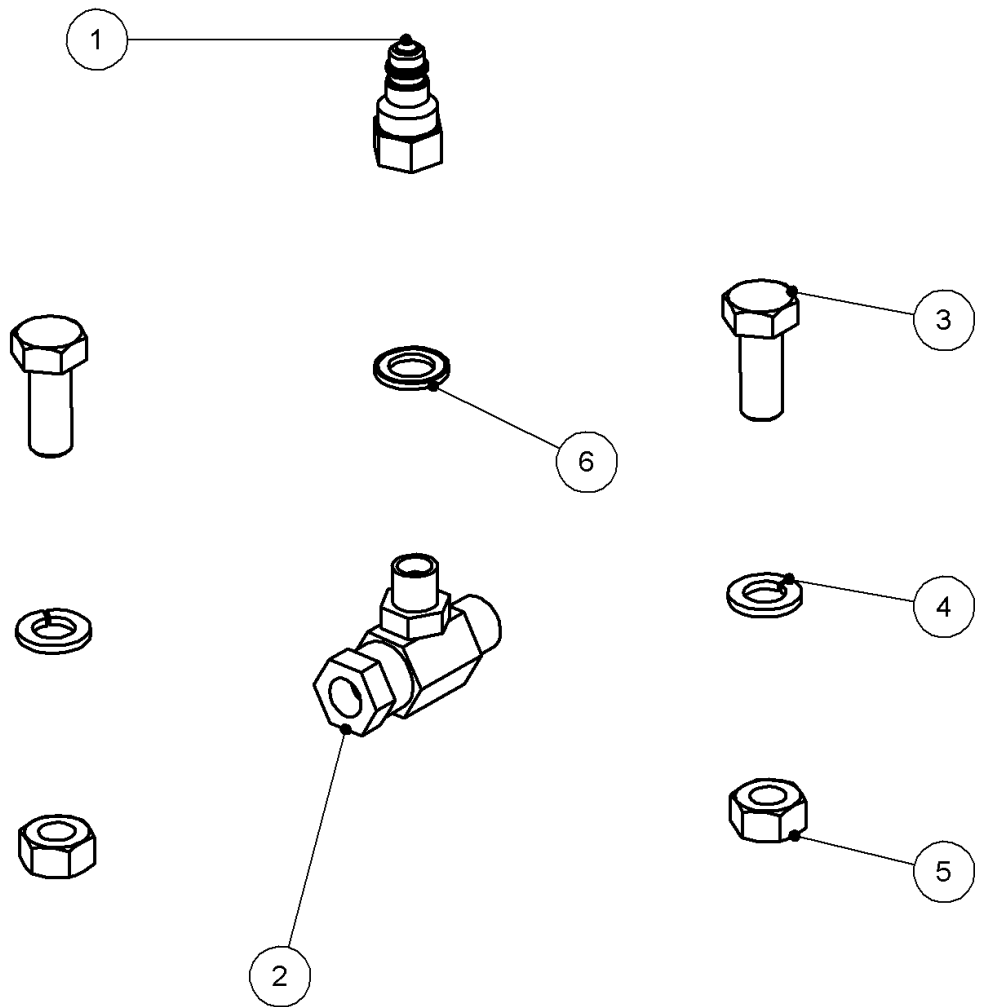


EPPII 4SV+HF VALVE ASSY - 76.427.04



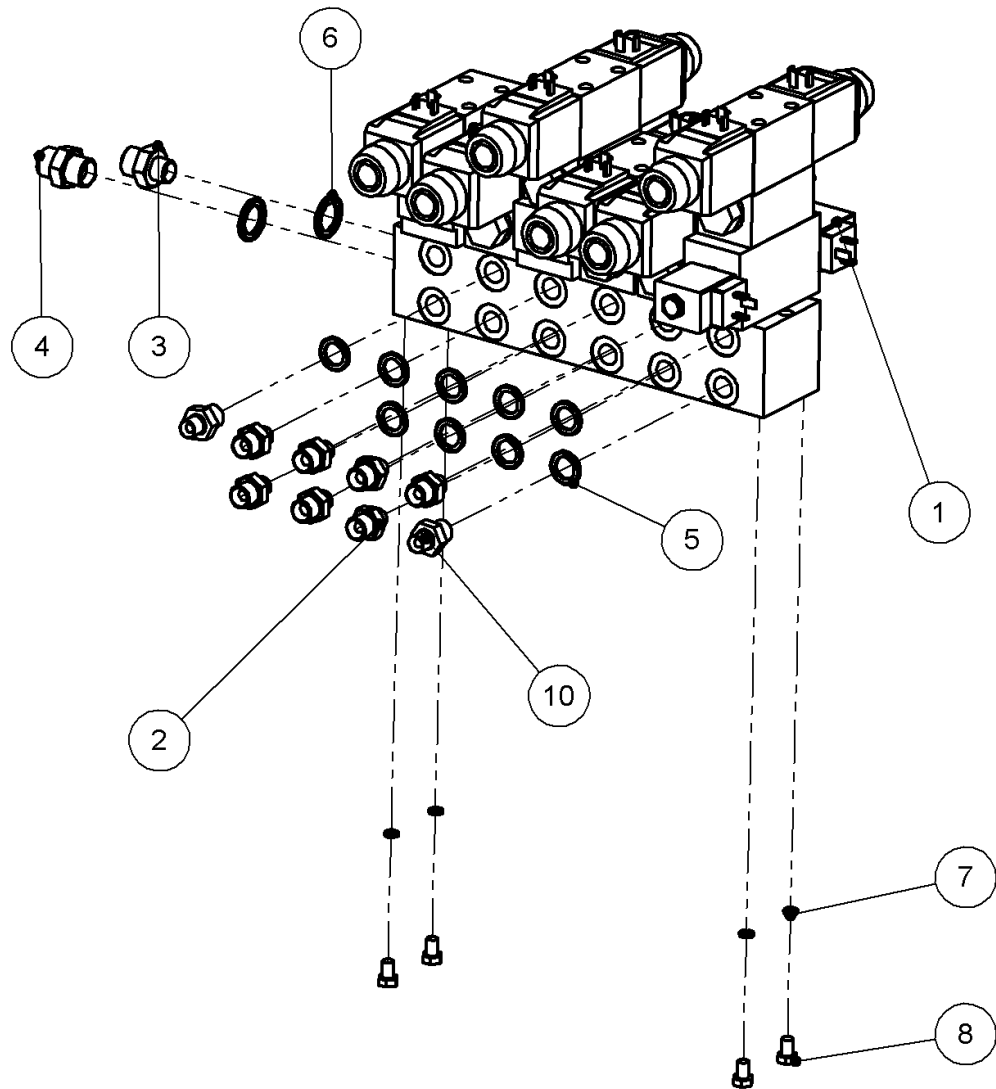
ITEM NO.	PART NUMBER	DESCRIPTION	QTY.
1	41784.12	CONTROL VALVE PROP. 4 SERV+HF	1
2	01.099.01	ADAPTOR 1/4"BSPx3/8"BSP	5
3	05.123.01	ADAPTOR 3/8"BSPx1/2"BSP	1
4	05.122.01	ADAPTOR 1/2"BSPx1/2"BSP	1
5	05.290.04	BONDED SEAL 3/8" BSP	7
6	05.290.05	BONDED SEAL 1/2" BSP	2
7	04.056.40	TEE ADAPTOR FMM	1
8	05.282.09	SPRING WASHER M5	4
9	30.073.93	SCREW M5 X 16MM	4
10	04.056.16	TEE ADAPTOR FMM	1
11	05.376.01	ADAPTOR 1/2"BSPx3/4"BSP	1
12	0342061	SKT CAPSCREW 1/4"	2
13	41814.02	DECAL - 4 SERVICE	1
14	07.605.01	RESTRICTOR 3/8"X1/4" BSP	2

TEST POINT EPP VALVE - 76.271.08



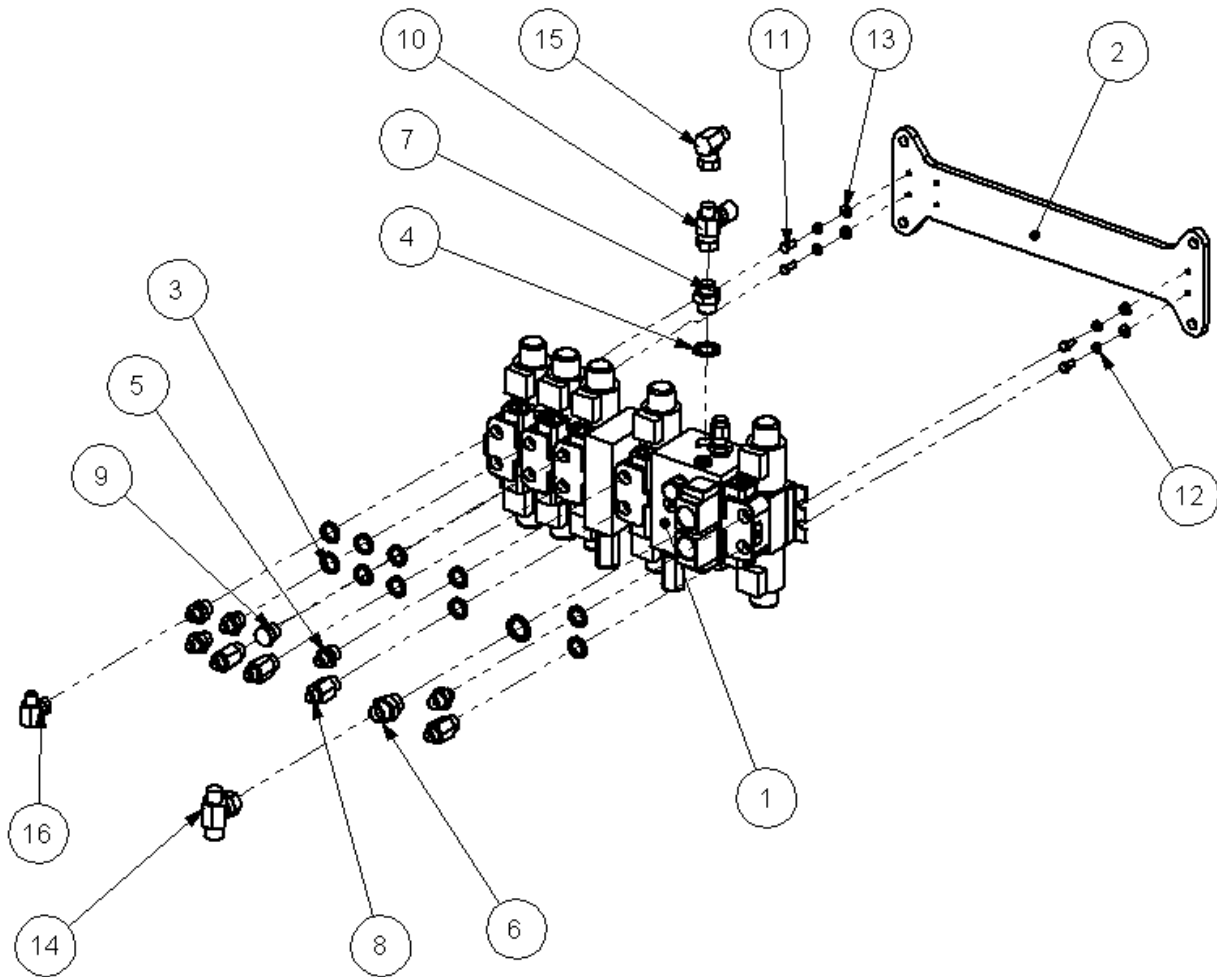
ITEM NO.	PART NUMBER	DESCRIPTION	QTY.
1	05.146.12	COUPLING - QUIK 1/4	1
2	04.056.16	TEE ADAPTOR FMM	1
3	05.264.23	SETSCREW M12x30	2
4	05.282.03	SPRING WASHER M12	2
5	05.286.03	NUT M12	2
6	05.290.02	BONDED SEAL 1/4" BSP	1

EPPII 5SV+HF VALVE - 76.427.05



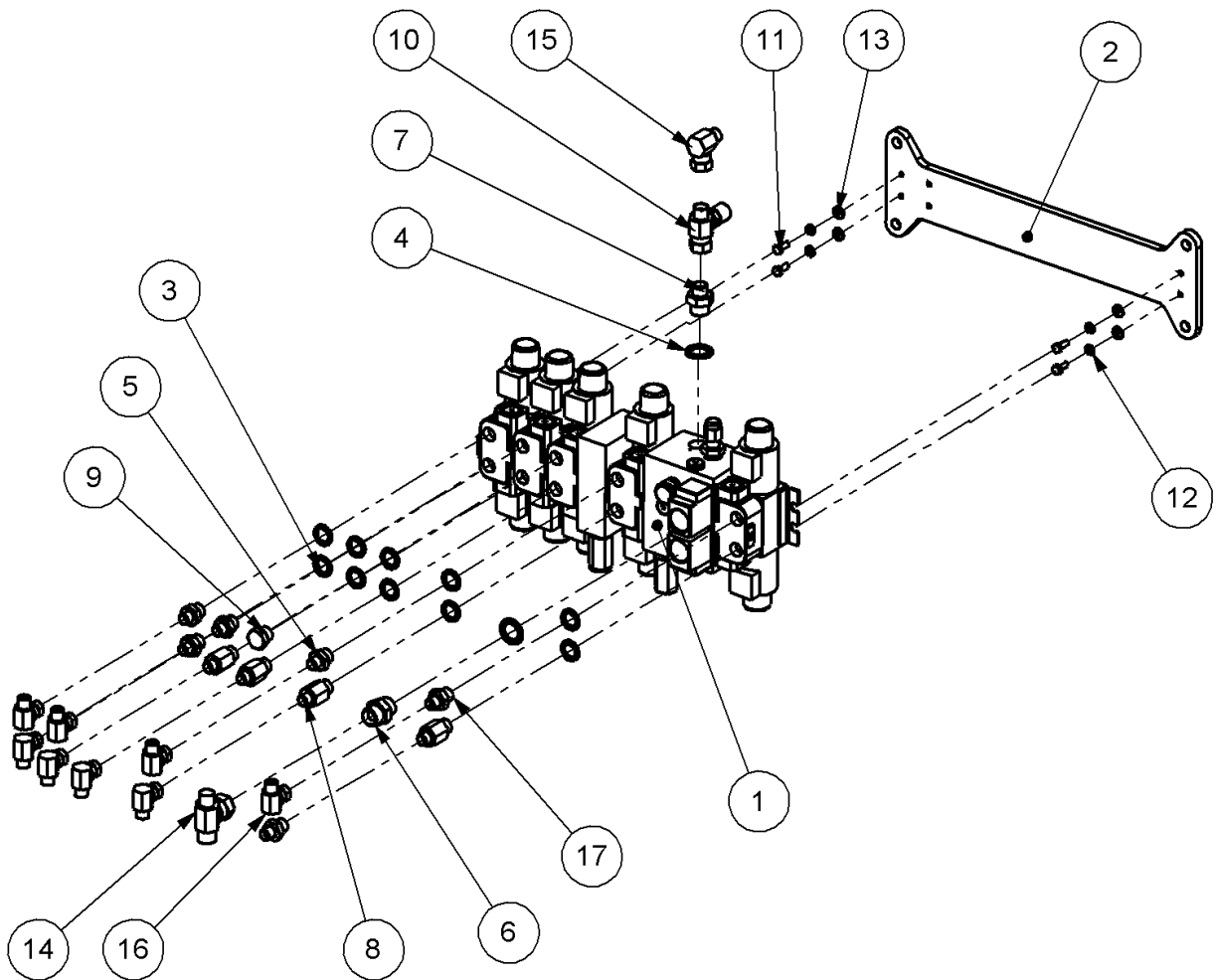
ITEM NO.	PART NUMBER	DESCRIPTION	QTY.
1	41784.16	CONTROL VALVE PROP. 5 SERV	1
2	01.099.01	ADAPTOR 1/4"BSPx3/8"BSP	7
3	05.123.01	ADAPTOR 3/8"BSPx1/2"BSP	1
4	05.122.01	ADAPTOR 1/2"BSPx1/2"BSP	1
5	05.290.04	BONDED SEAL 3/8" BSP	9
6	05.290.05	BONDED SEAL 1/2" BSP	2
7	05.282.09	SPRING WASHER M5	4
8	30.073.93	SCREW M5 X 16MM	4
9	41814.03	DECAL - 5 SERVICE	1
10	07.605.01	RESTRICTOR 3/8"X1/4" BSP	2

EPPH 5 SPOOL DMV VALVE - 76.427.35



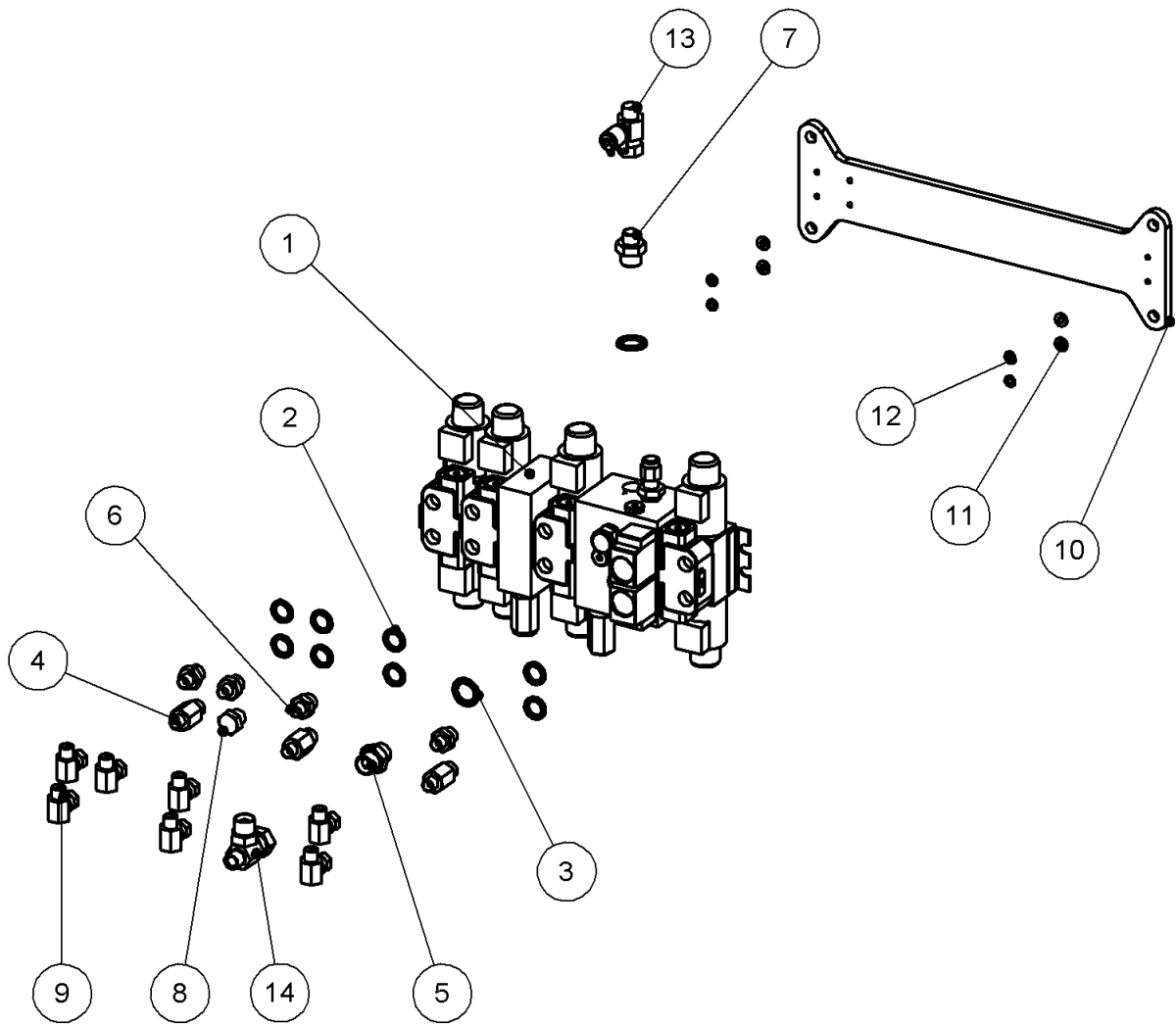
ITEM NO.	PART NUMBER	DESCRIPTION	QTY.
1	46622.13	DMV VALVE 5 SPOOL	1
2	46625.01	PLATE - VALVE MOUNTING	1
3	05.290.04	BONDED SEAL 3/8" BSP	10
4	05.290.05	BONDED SEAL 1/2" BSP	2
5	01.099.01	ADAPTOR 1/4"BSPx3/8"BSP	6
6	05.122.01	ADAPTOR 1/2"BSPx1/2"BSP	1
7	05.123.01	ADAPTOR 3/8"BSPx1/2"BSP	1
8	05.819.02	ADAPTOR 1/4"BSPx3/8"BSP	4
9	05.433.01	PLUG 3/8"BSP	1
10	8131004	TEST ADAPTOR 3/8"BSP M/F	1
11	05.839.05	SETSCREW M6 X 16	4
12	05.282.07	SPRING WASHER M6	4
13	05.281.10	FLAT WASHER M6	4
14	04.056.50	TEE ADAPTOR MMF	1
15	05.835.01	90 ADAPTOR M/F SWIVEL	1
16	05.835.04	90 ADAPTOR M/F SWIVEL	1

DMV VALVE ASSEMBLY - 76.427.36



ITEM NO.	PART NUMBER	DESCRIPTION	QTY.
1	46622.18	DMV VALVE 5 SERVICE	1
2	46625.01	PLATE - VALVE MOUNTING	1
3	05.290.04	BONDED SEAL 3/8" BSP	10
4	05.290.05	BONDED SEAL 1/2" BSP	2
5	01.099.01	ADAPTOR 1/4"BSPx3/8"BSP	4
6	05.122.01	ADAPTOR 1/2"BSPx1/2"BSP	1
7	05.123.01	ADAPTOR 3/8"BSPx1/2"BSP	1
8	05.819.02	ADAPTOR 1/4"BSPx3/8"BSP	4
9	05.433.01	PLUG 3/8"BSP	1
10	8131004	TEST ADAPTOR 3/8"BSP M/F	1
11	05.839.05	SETScrew M6 X 16	4
12	05.282.07	SPRING WASHER M6	4
13	05.281.10	FLAT WASHER M6	4
14	04.056.50	TEE ADAPTOR MMF	1
15	05.835.01	90 ADAPTOR M/F SWIVEL	1
16	05.835.04	90 ADAPTOR M/F SWIVEL	8
17	07.605.01	RESTRICTOR 3/8"X1/4" BSP	2

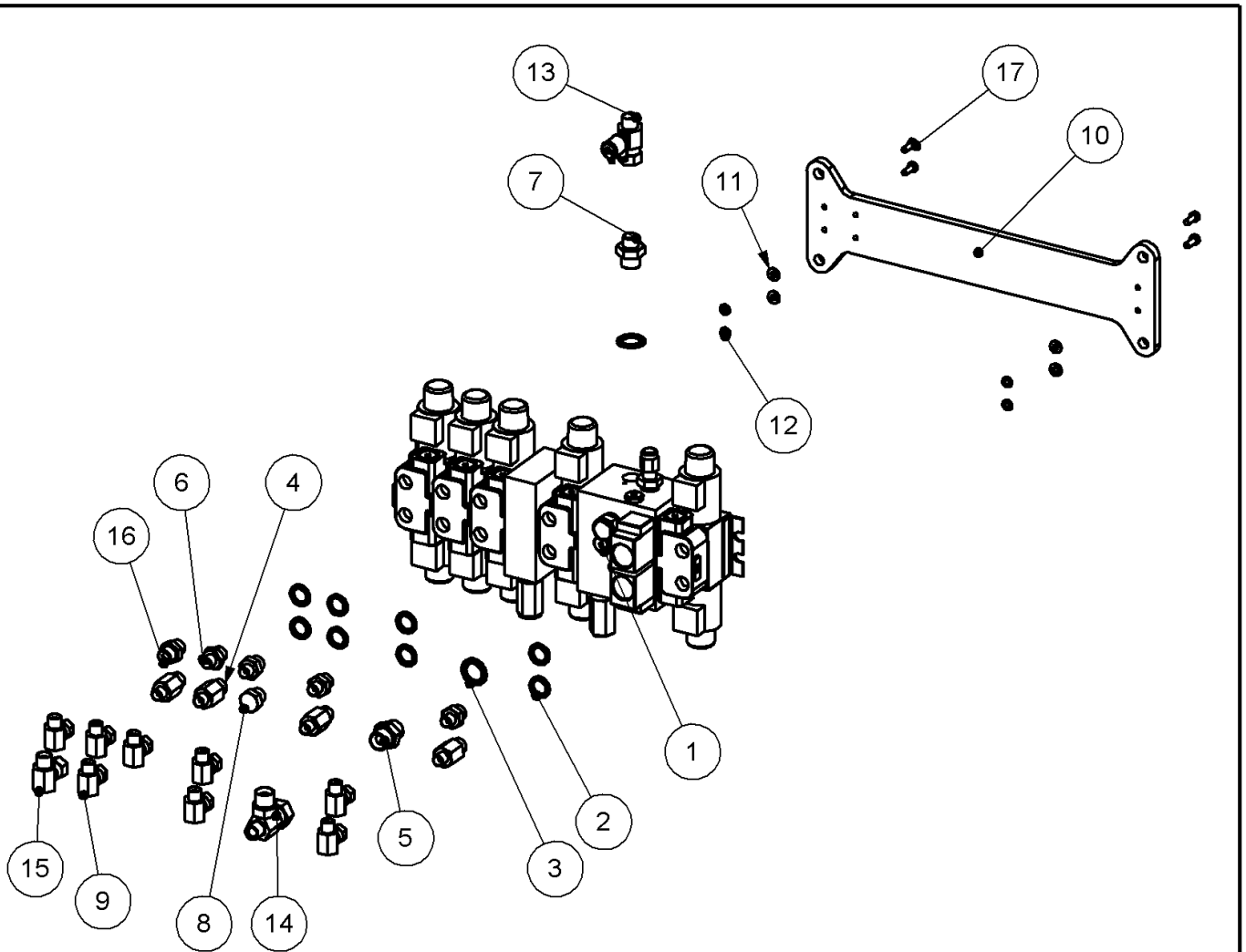
DMV CONTROL VALVE ASSY - 77.261.03



* 46622.21 - SEAL KIT FOR DMV VALVES

ITEM NO.	PART NUMBER	DESCRIPTION	QTY.
1	46622.23	DMV VALVE	1
2	05.290.04	BONDED SEAL 3/8" BSP	8
3	05.290.05	BONDED SEAL 1/2" BSP	2
4	05.819.02	ADAPTOR 1/4"BSPx3/8"BSP	3
5	05.122.01	ADAPTOR 1/2"BSPx1/2"BSP	1
6	01.099.01	ADAPTOR 1/4"BSPx3/8"BSP	4
7	05.123.01	ADAPTOR 3/8"BSPx1/2"BSP	1
8	05.433.01	PLUG 3/8"BSP	1
9	05.835.04	90 ADAPTOR M/F SWIVEL	7
10	46625.01	PLATE - VALVE MOUNTING	1
11	05.281.10	FLAT WASHER M6	4
12	05.282.07	SPRING WASHER M6	4
13	8131004	TEST ADAPTOR 3/8"BSP M/F	1
14	04.056.50	ADAPTOR - TEE 1/2M-3/8M-1/2F	1

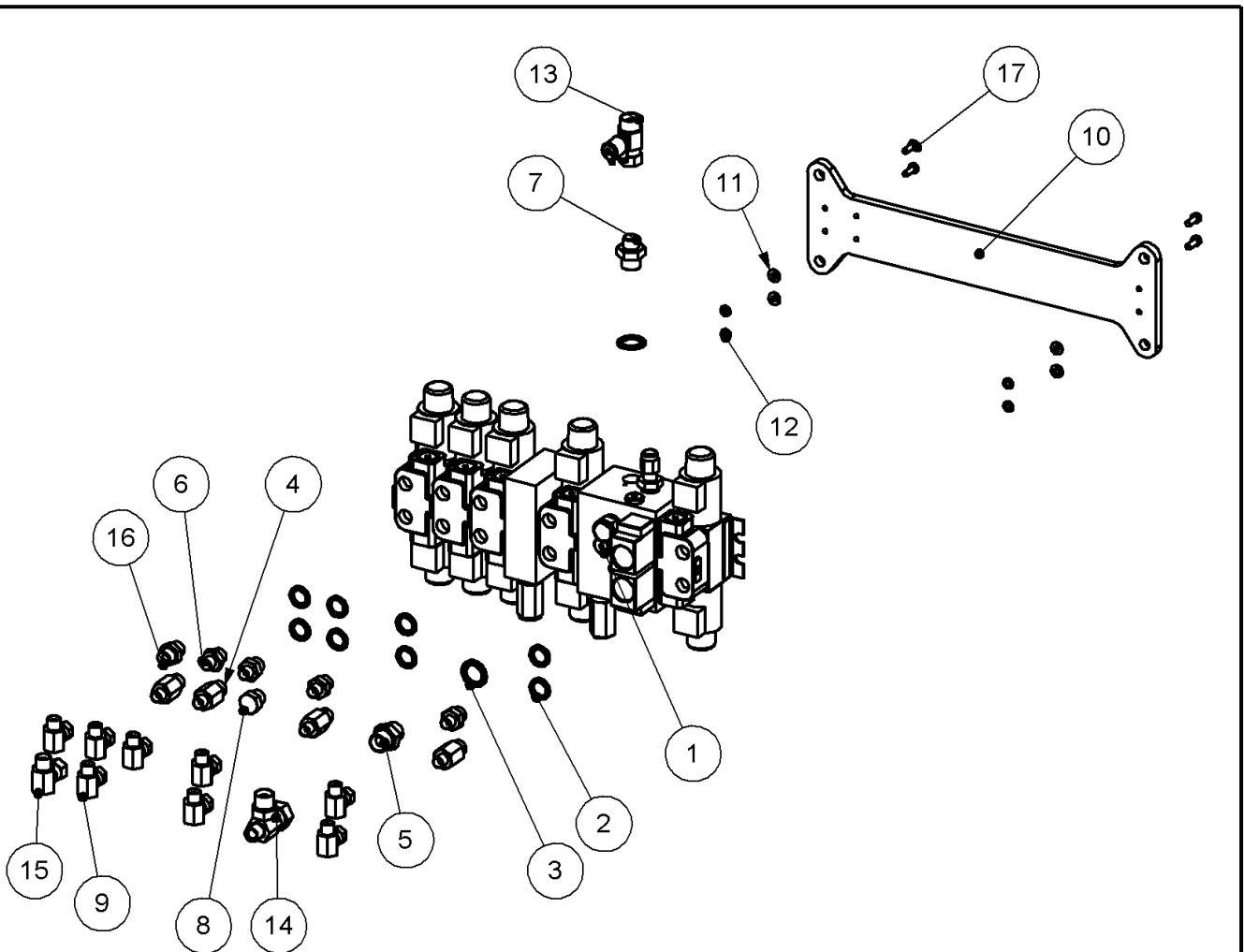
DMV VALVE SCHEDULE - 77.261.04



* 46622.21 - SEAL KIT FOR DMV VALVES

ITEM NO.	PART NUMBER	DESCRIPTION	QTY.
1	46622.24	VALVE ASSEMBLY EATON	1
2	05.290.04	BONDED SEAL 3/8" BSP	8
3	05.290.05	BONDED SEAL 1/2" BSP	2
4	05.819.02	ADAPTOR 1/4"BSPx3/8"BSP	4
5	05.122.01	ADAPTOR 1/2"BSPx1/2"BSP	1
6	01.099.01	ADAPTOR 1/4"BSPx3/8"BSP	4
7	05.123.01	ADAPTOR 3/8"BSPx1/2"BSP	1
8	05.433.01	PLUG 3/8"BSP	1
9	05.835.04	90 ADAPTOR M/F SWIVEL	8
10	46625.01	PLATE - VALVE MOUNTING	1
11	05.281.10	FLAT WASHER M6	4
12	05.282.07	SPRING WASHER M6	4
13	8131004	TEST ADAPTOR 3/8"BSP M/F	1
14	04.056.50	ADAPTOR - TEE 1/2M-3/8M-1/2F	1
15	05.835.01	90 ADAPTOR M/F SWIVEL	1
16	05.124.01	ADAPTOR 3/8"BSPx3/8"BSP	1
17	05.839.05	SETSCREW M6 X 16	4

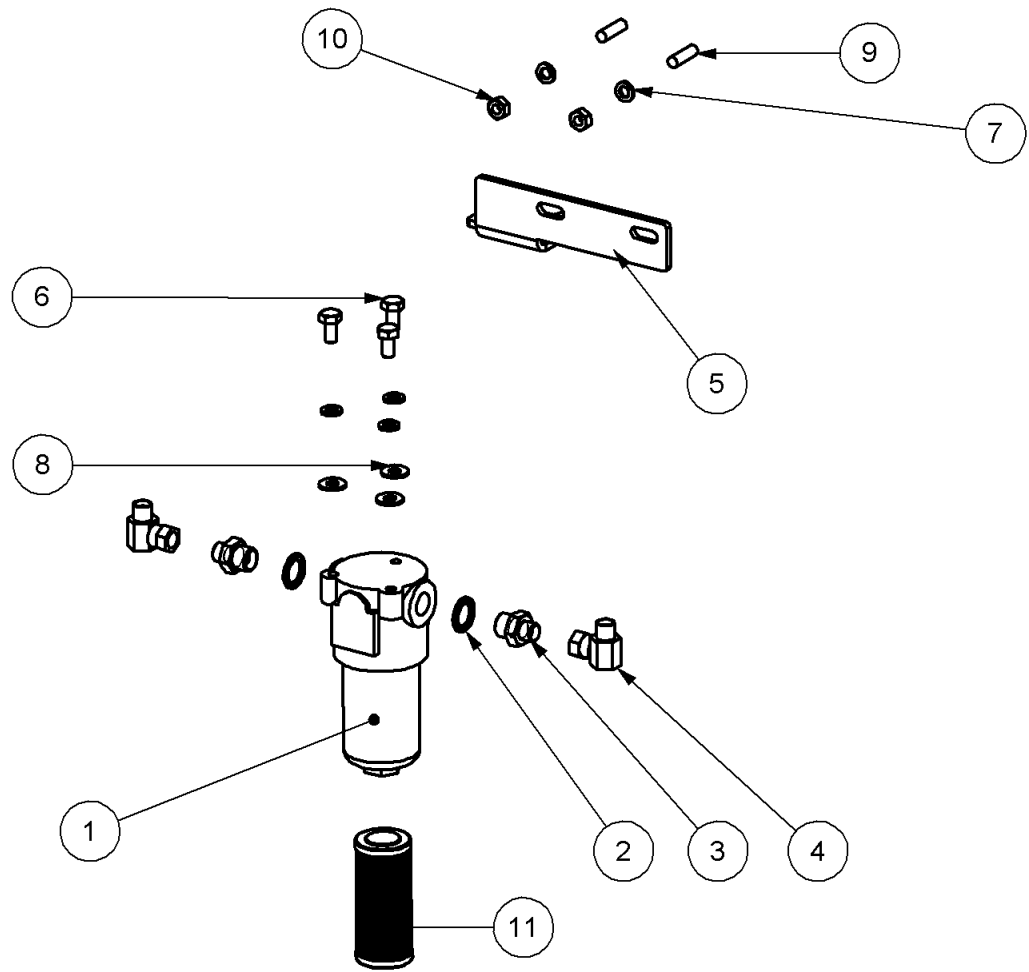
DMV VALVE SCHEDULE - 77.261.05



* 46622.21 - SEAL KIT FOR DMV VALVES

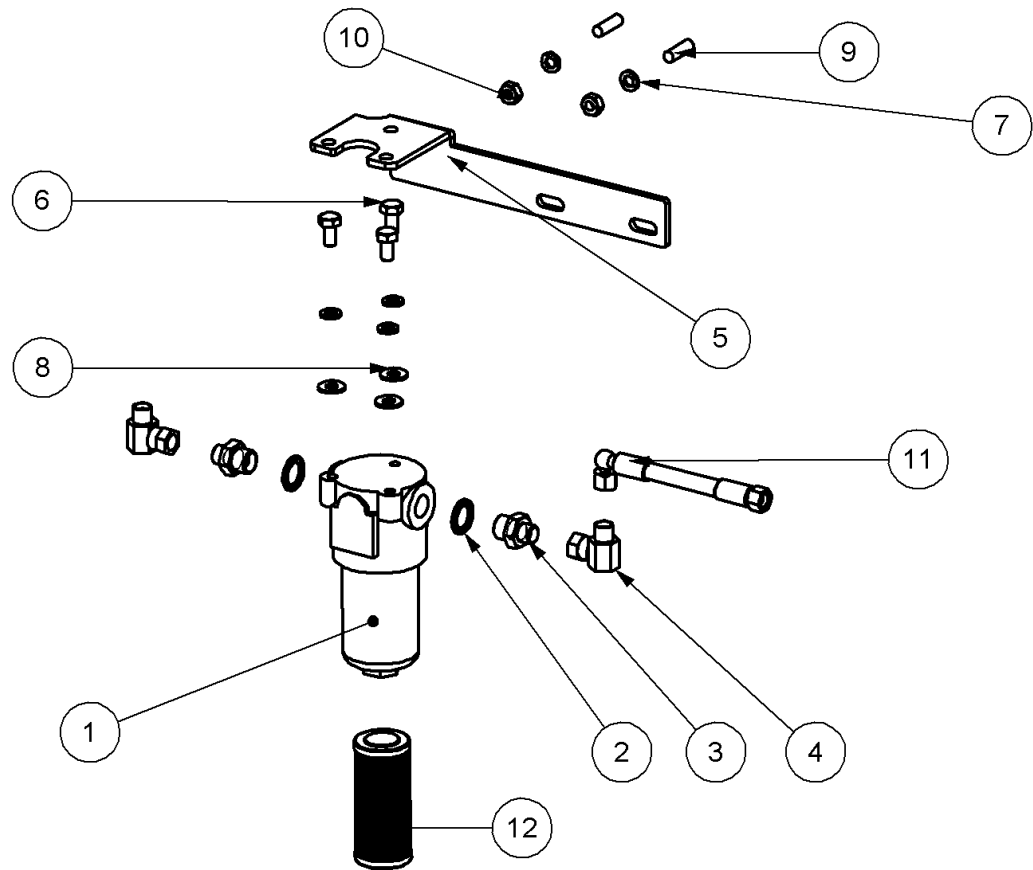
ITEM NO.	PART NUMBER	DESCRIPTION	QTY.
1	46622.28	DMV VALVE EATON REF	1
2	05.290.04	BONDED SEAL 3/8" BSP	8
3	05.290.05	BONDED SEAL 1/2" BSP	2
4	05.819.02	ADAPTOR 1/4"BSPx3/8"BSP	4
5	05.122.01	ADAPTOR 1/2"BSPx1/2"BSP	1
6	01.099.01	ADAPTOR 1/4"BSPx3/8"BSP	4
7	05.123.01	ADAPTOR 3/8"BSPx1/2"BSP	1
8	05.433.01	PLUG 3/8"BSP	1
9	05.835.04	90 ADAPTOR M/F SWIVEL	8
10	46625.01	PLATE - VALVE MOUNTING	1
11	05.281.10	FLAT WASHER M6	4
12	05.282.07	SPRING WASHER M6	4
13	8131009	M/FTEST UNION1/2"	1
14	04.056.50	ADAPTOR - TEE 1/2M-3/8M-1/2F	1
15	05.835.01	90 ADAPTOR M/F SWIVEL	1
16	05.124.01	ADAPTOR 3/8"BSPx3/8"BSP	1
17	05.839.05	SETSCREW M6 X 16	4

DMV VALVE FILTER ASSEMBLY LH - 77.550.05



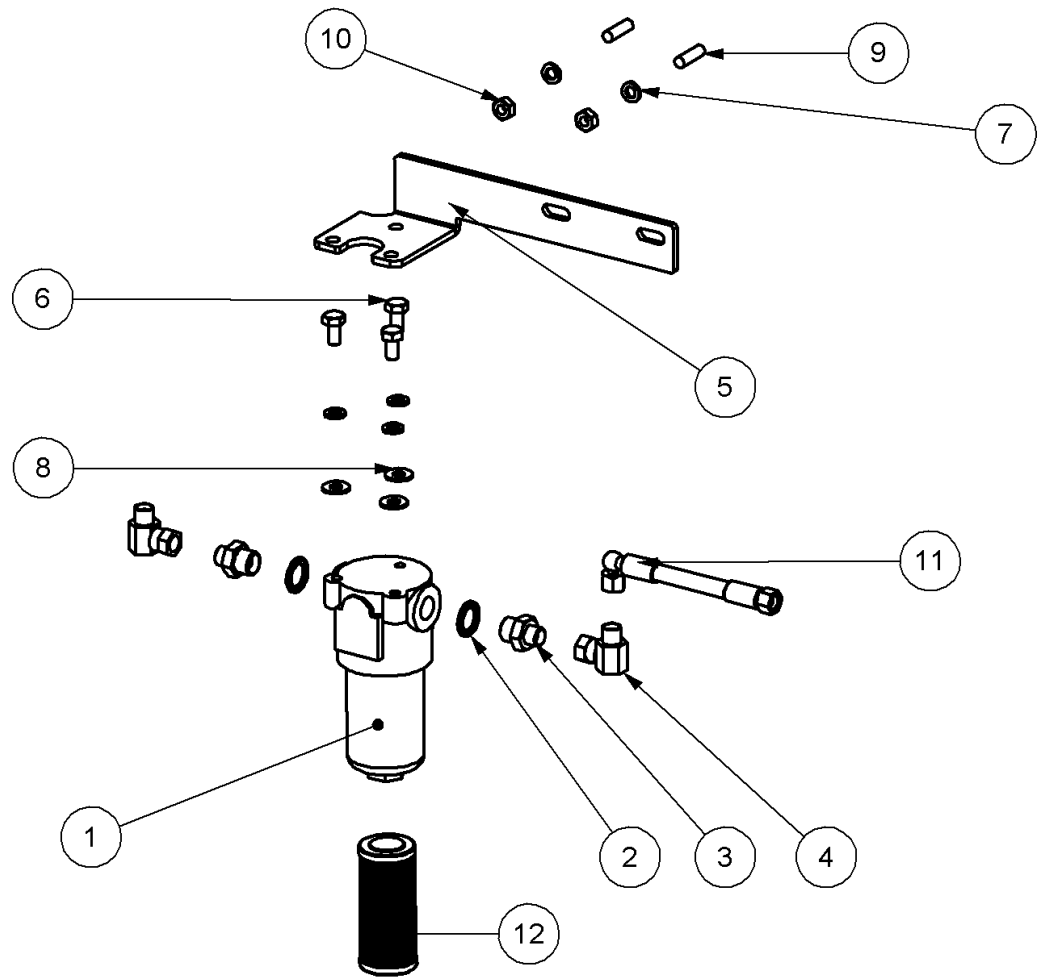
ITEM NO.	PART NUMBER	DESCRIPTION	QTY.
1	47563.01	MP FILTER	1
2	05.290.05	BONDED SEAL 1/2" BSP	2
3	05.123.01	ADAPTOR 3/8"BSPx1/2"BSP	2
4	05.835.01	90 ADAPTOR M/F SWIVEL	2
5	47431.05	FILTER MTG PLATE	1
6	05.264.11	SETSCREW M10x20	3
7	05.282.02	SPRING WASHER M10	5
8	05.281.02	FLAT WASHER M10	3
9	03.100.02	STUD M10 X 32	2
10	05.286.02	NUT M10	2
11	47563.02	FILTER ELEMENT	0

DMV VALVE FILTER ASSEMBLY RH - 77.550.07



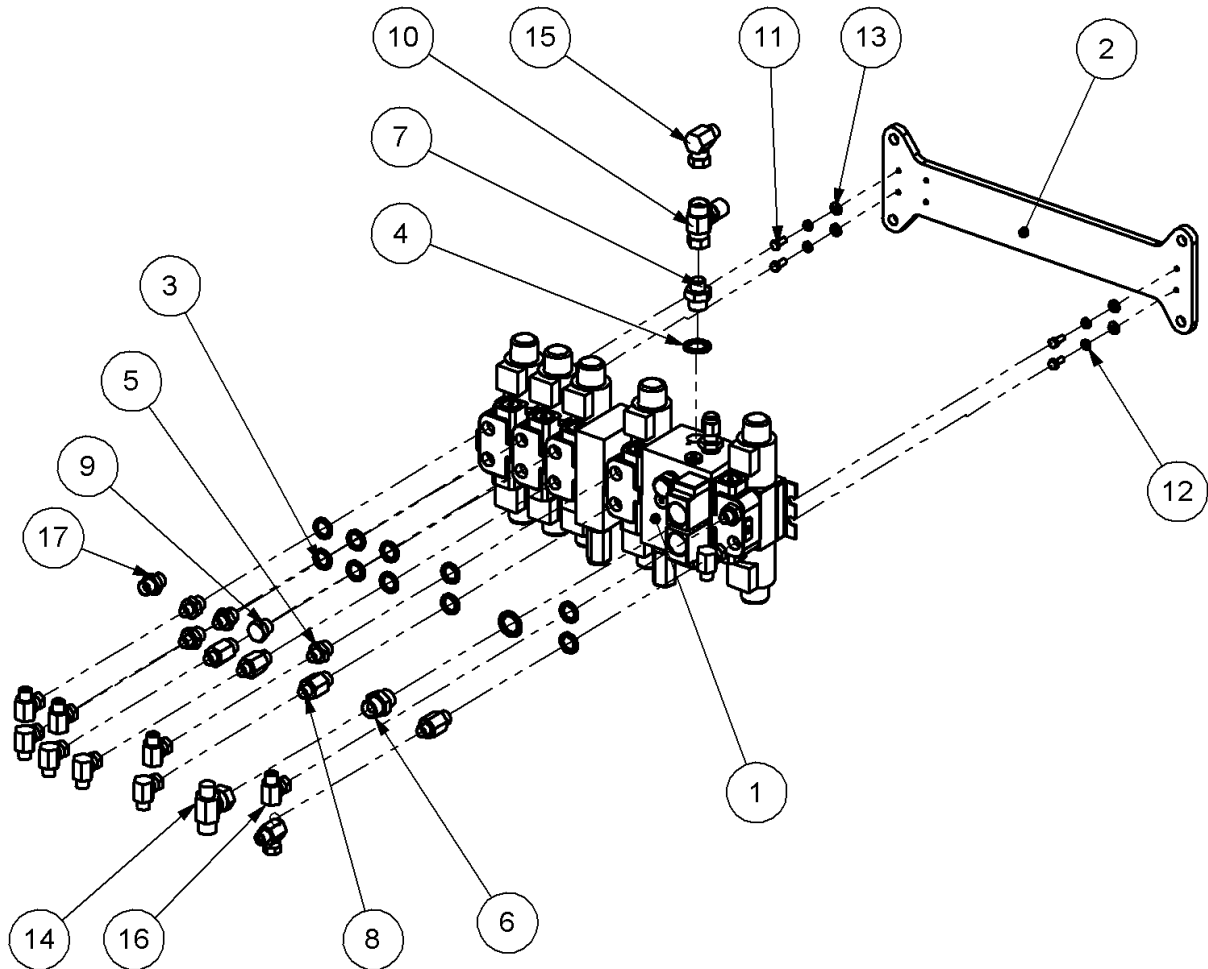
ITEM NO.	PART NUMBER	DESCRIPTION	QTY.
1	47563.01	MP FILTER	1
2	05.290.05	BONDED SEAL 1/2" BSP	2
3	05.123.01	ADAPTOR 3/8"BSPx1/2"BSP	2
4	05.835.01	90 ADAPTOR M/F SWIVEL	2
5	47431.09	FILTER MTG BRKT	1
6	05.264.11	SETSCREW M10x20	3
7	05.282.02	SPRING WASHER M10	5
8	05.281.02	FLAT WASHER M10	3
9	03.100.02	STUD M10 X 32	2
10	05.286.02	NUT M10	2
11	10.004.10	1/4"BSP FS/F90 400	1
12	47563.02	FILTER ELEMENT	0

DMV VALVE FILTER ASSEMBLY - 77.550.08



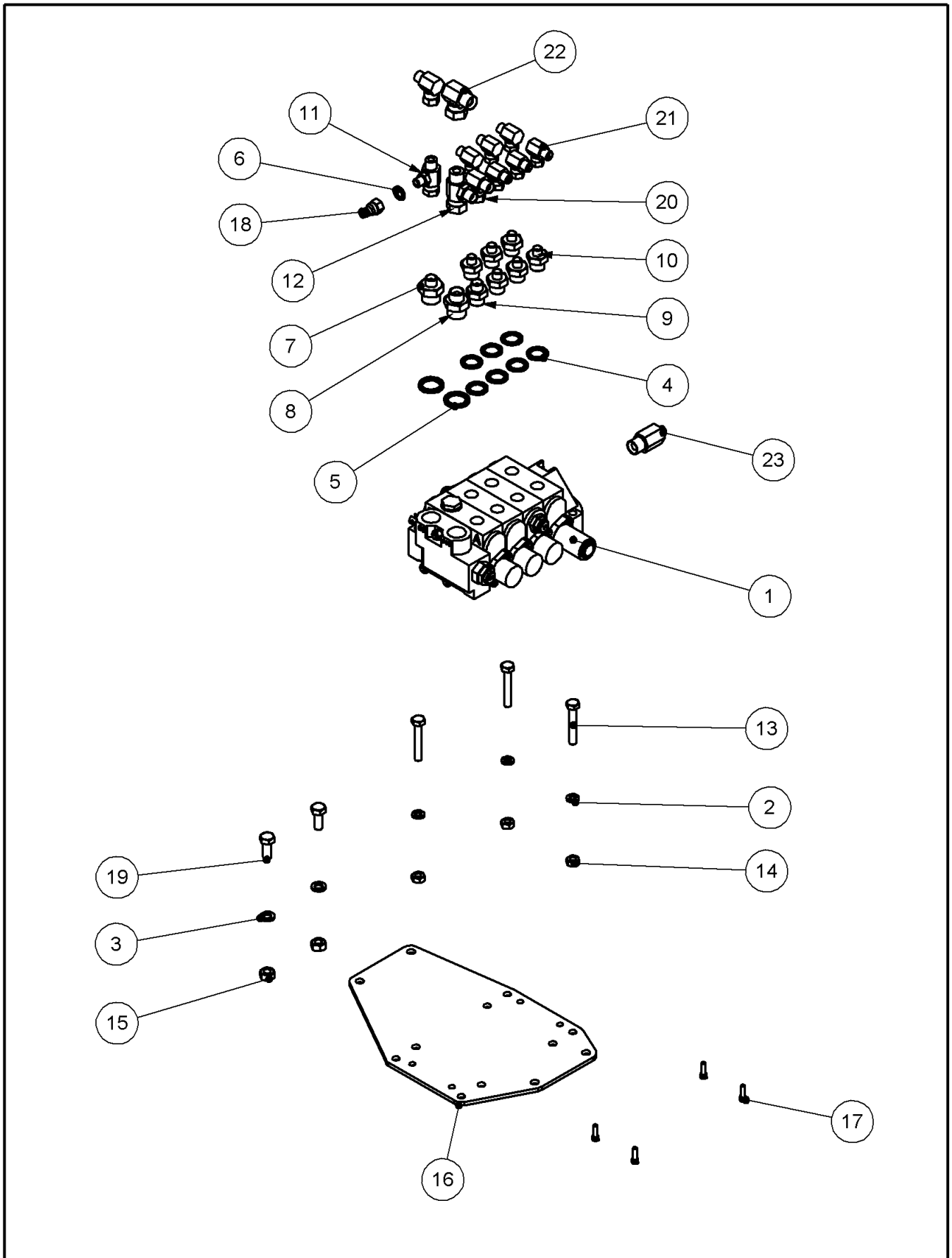
ITEM NO.	PART NUMBER	DESCRIPTION	QTY.
1	47563.01	MP FILTER	1
2	05.290.05	BONDED SEAL 1/2" BSP	2
3	05.123.01	ADAPTOR 3/8"BSPx1/2"BSP	2
4	05.835.01	90 ADAPTOR M/F SWIVEL	2
5	47431.10	FILTER MOUNTING BRACKET	1
6	05.264.11	SETScrew M10x20	3
7	05.282.02	SPRING WASHER M10	5
8	05.281.02	FLAT WASHER M10	3
9	03.100.02	STUD M10 X 32	2
10	05.286.02	NUT M10	2
11	10.004.10	1/4"BSP FS/F90 400	1
12	47563.02	FILTER ELEMENT	0

DMV VALVE SCHEDULE - 77.270.14



ITEM NO.	PART NUMBER	DESCRIPTION	QTY.
1	46622.28	DMV VALVE EATON REF	1
2	46625.01	PLATE - VALVE MOUNTING	1
3	05.290.04	BONDED SEAL 3/8" BSP	10
4	05.290.05	BONDED SEAL 1/2" BSP	2
5	01.099.01	ADAPTOR 1/4"BSPx3/8"BSP	5
6	05.122.01	ADAPTOR 1/2"BSPx1/2"BSP	1
7	05.123.01	ADAPTOR 3/8"BSPx1/2"BSP	1
8	05.819.02	ADAPTOR 1/4"BSPx3/8"BSP	4
9	05.433.01	PLUG 3/8"BSP	1
10	8131009	M/FTEST UNION1/2"	1
11	05.839.05	SETSCREW M6 X 16	4
12	05.282.07	SPRING WASHER M6	4
13	05.281.10	FLAT WASHER M6	4
14	04.056.50	TEE ADAPTOR MMF	1
15	05.835.01	90 ADAPTOR M/F SWIVEL	1
16	05.835.04	90 ADAPTOR M/F SWIVEL	10
17	05.124.01	ADAPTOR 3/8"BSPx3/8"BSP	1

VALVE ASSY CABLE 4 SERV - 77.133.01



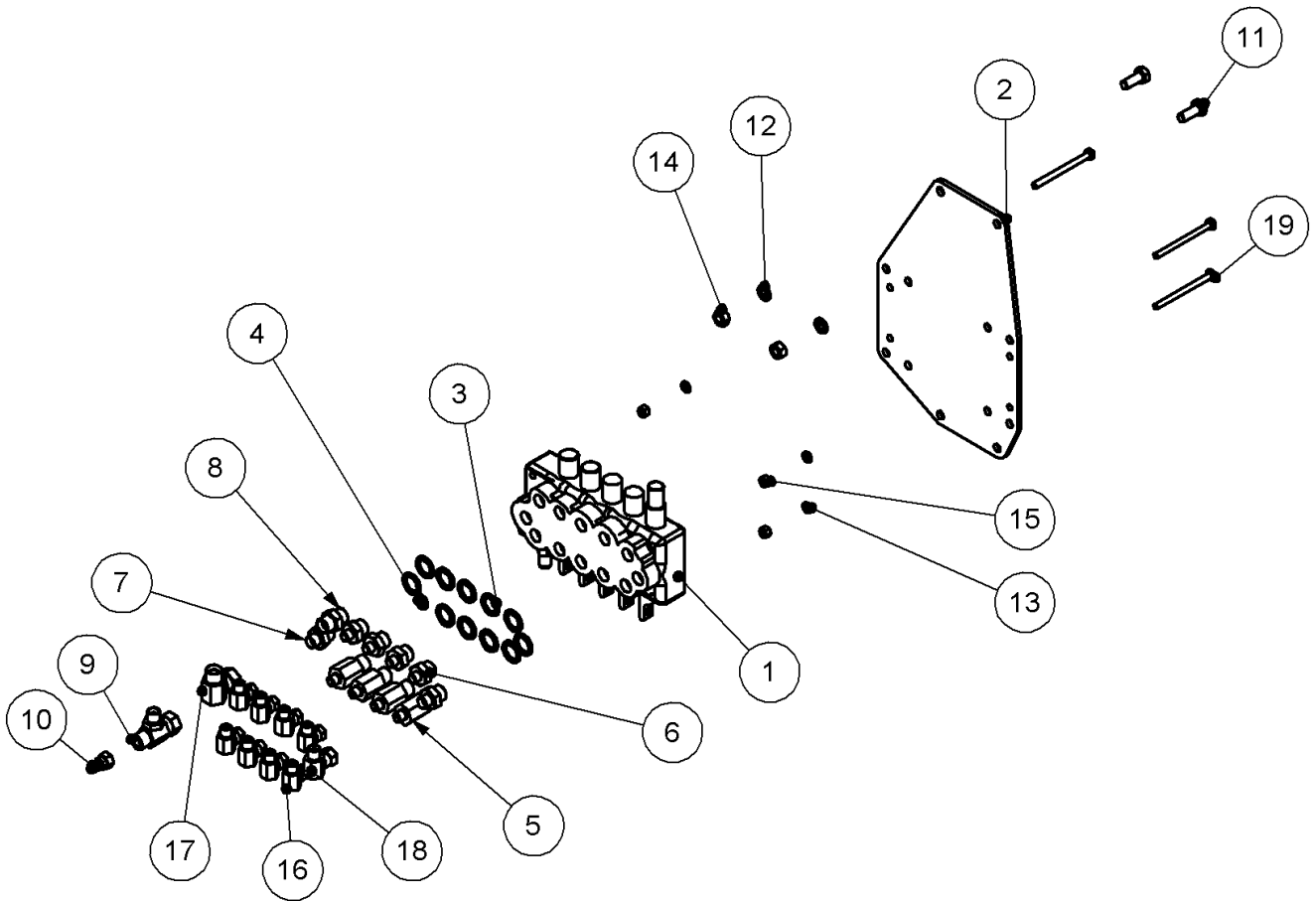
VALVE ASSY CABLE 4 SERV - 77.133.01

CONTROL VALVE ASSY CABLE 8852 - 77.133.01

ITEM NO.	PART NUMBER	DESCRIPTION	QTY.
1	41335.02	VALVE ASSY - 4 SPOOL	1
2	05.282.02	SPRING WASHER M10	3
3	05.282.03	SPRING WASHER M12	2
4	05.290.05	BONDED SEAL 1/2" BSP	7
5	05.290.06	BONDED SEAL 3/4" BSP	2
6	05.290.02	BONDED SEAL 1/4" BSP	1
7	05.128.01	ADAPTOR 3/8"BSPx3/4"BSP	1
8	05.376.01	ADAPTOR 1/2"BSPx3/4"BSP	1
9	05.123.01	ADAPTOR 3/8"BSPx1/2"BSP	1
10	01.099.03	ADAPTOR 1/4"BSPx1/2"BSP	6
11	04.056.16	TEE ADAPTOR FMM	1
12	04.056.40	TEE ADAPTOR FMM	1
13	05.291.18	BOLT M10x65	3
14	05.286.02	NUT M10	3
15	05.286.03	NUT M12	2
16	46094.01	PLATE - VALVE MOUNTING CABLE	1
17	0342061	SKT CAPSCREW 1/4"	8
18	05.146.12	COUPLING - QUIK 1/4	1
19	05.264.23	SETSCREW M12x30	2
20	05.835.01	90 ADAPTOR M/F SWIVEL	2
21	05.835.04	90 ADAPTOR M/F SWIVEL	7
22	05.835.05	90 ADAPTOR M/F SWIVEL	1
23	06.286.01	ADAPTOR EXTENDED 1/2"X1/4" BSP	3

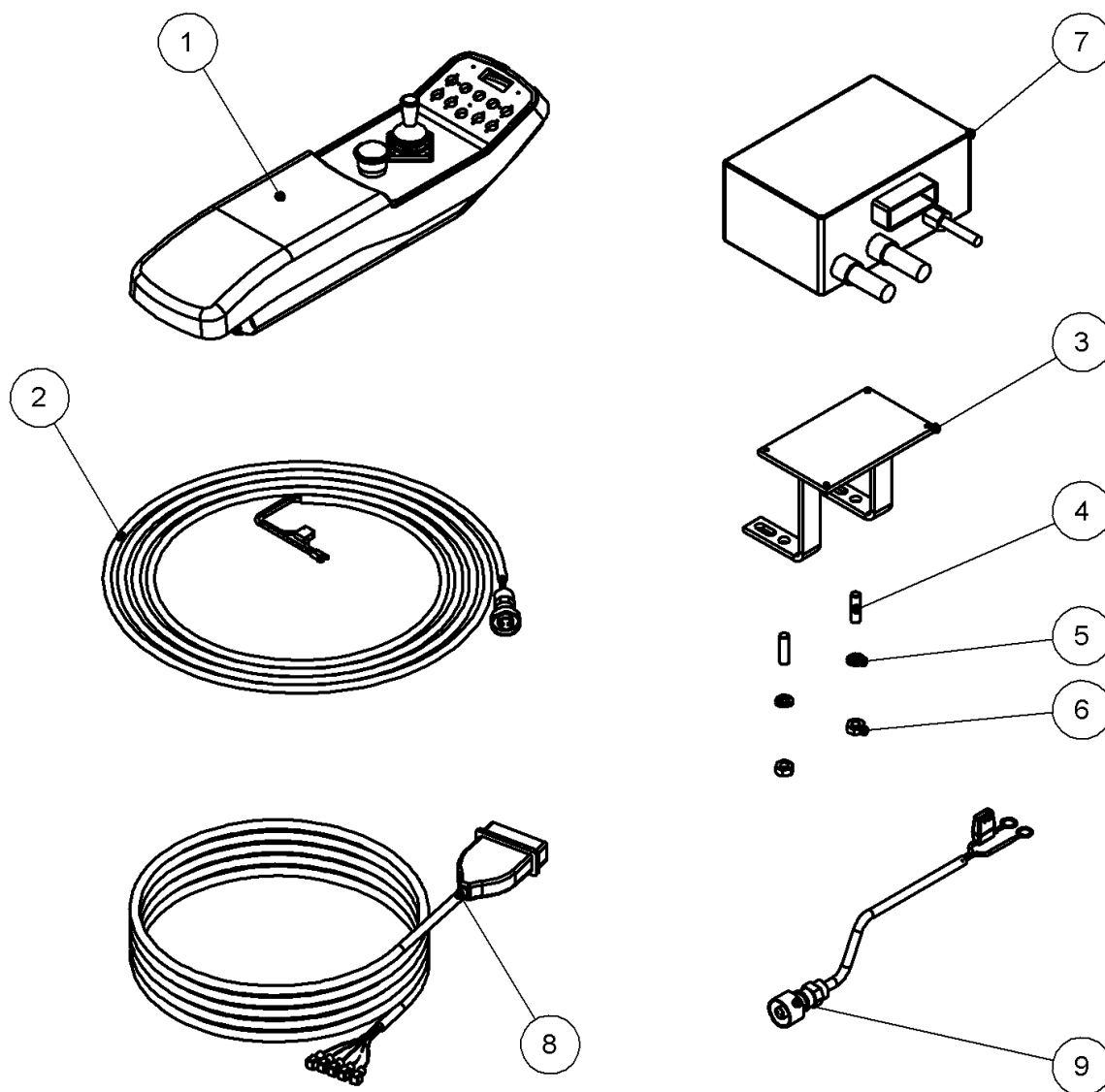
* 41335.25 - SEAL KIT FOR 41335.02 CABLE CTRL VALVE

VALVE ASSY ASSY - 5 SERV CABLE - 77.133.03



ITEM NO.	PART NUMBER	DESCRIPTION	QTY.
1	46924.17	WALVOIL 3 SERVICE CABLE VALVE	1
2	46094.01	PLATE - VALVE MOUNTING CABLE	1
3	05.290.05	BONDED SEAL 1/2" BSP	11
4	05.290.02	BONDED SEAL 1/4" BSP	1
5	06.286.01	ADAPTOR EXTENDED 1/2"X1/4" BSP	4
6	01.099.03	ADAPTOR 1/4"BSPx1/2"BSP	4
7	05.123.01	ADAPTOR 3/8"BSPx1/2"BSP	2
8	05.122.01	ADAPTOR 1/2"BSPx1/2"BSP	1
9	04.056.40	TEE ADAPTOR FMM	1
10	05.146.12	COUPLING - QUIK 1/4	1
11	05.264.23	SETSCREW M12x30	2
12	05.282.03	SPRING WASHER M12	2
13	05.282.01	SPRING WASHER M8	3
14	05.286.03	NUT M12	2
15	05.286.01	NUT M8	3
16	05.835.04	90 ADAPTOR M/F SWIVEL	8
17	05.835.05	90 ADAPTOR M/F SWIVEL	1
18	05.835.01	90 ADAPTOR M/F SWIVEL	1
19	05.292.03	BOLT M8x100	3
20	05.625.39	SKT CAPSCREW M5 X 16	10

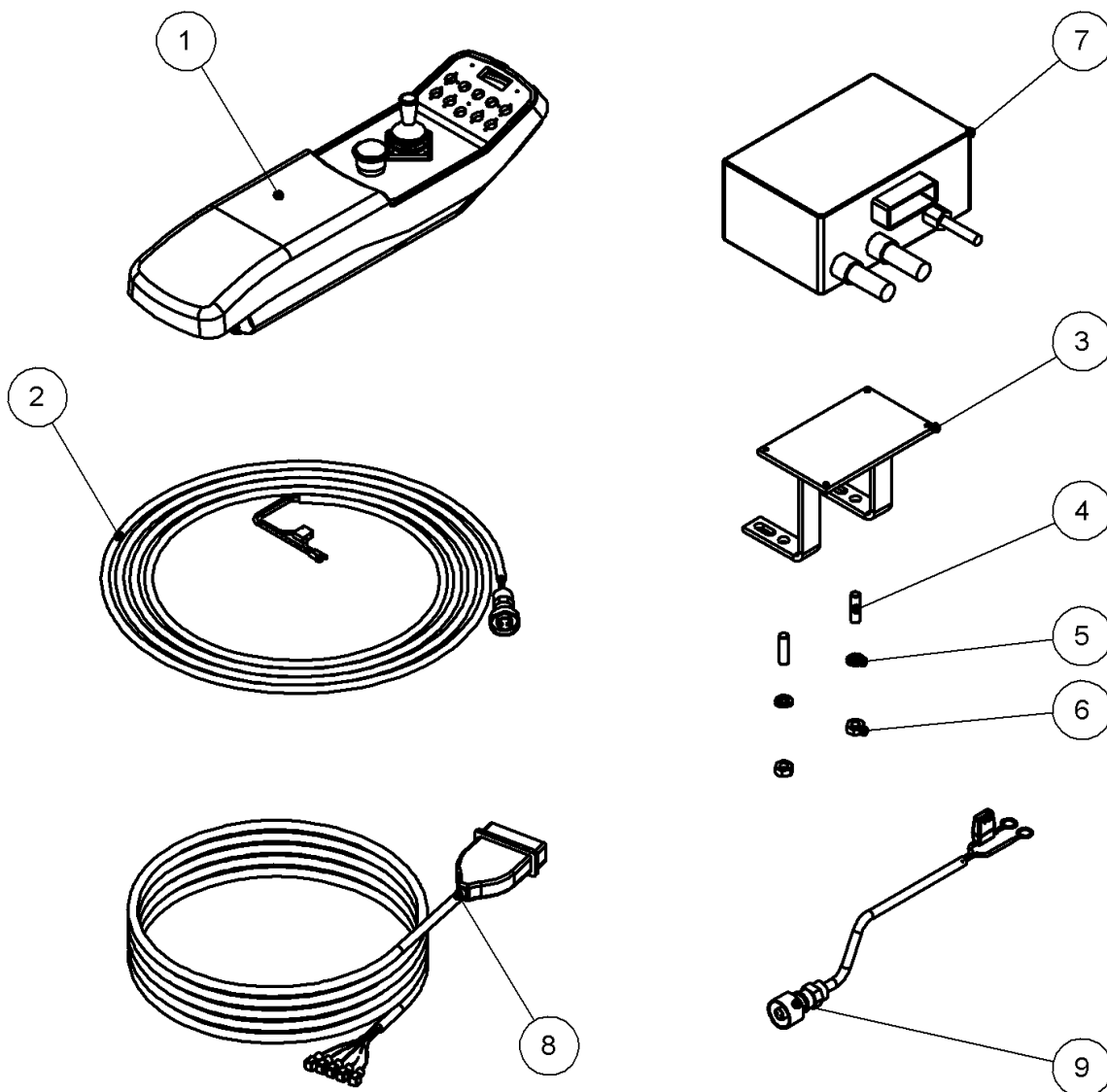
RCA ASSY - DCU 4SV+M 8852 - 77.142.01



* LOOM - DCU CONTROL BOX - 45711.01
 * LOOM - MOTOR CONTROL - 45714.01

ITEM NO.	PART NUMBER	DESCRIPTION	QTY.
1	45710.04	CONTROL BOX DCU	1
2	08.987.01	CABLE ASSY - 2 SORE	1
3	46137.01	BRACKET - DCU	1
4	03.100.01	STUD M10x34	2
5	05.282.02	SPRING WASHER M10	2
6	05.286.02	NUT M10	2
7	45715.02	ECU BOX ASSY - 4SV	1
8	45713.02	LOOM - ECU 4 SV EPP3	0
9	43034.01	BLADE FUSE 15 AMP	0

RCA ASSY - DCU 5SV+M - 77.142.02

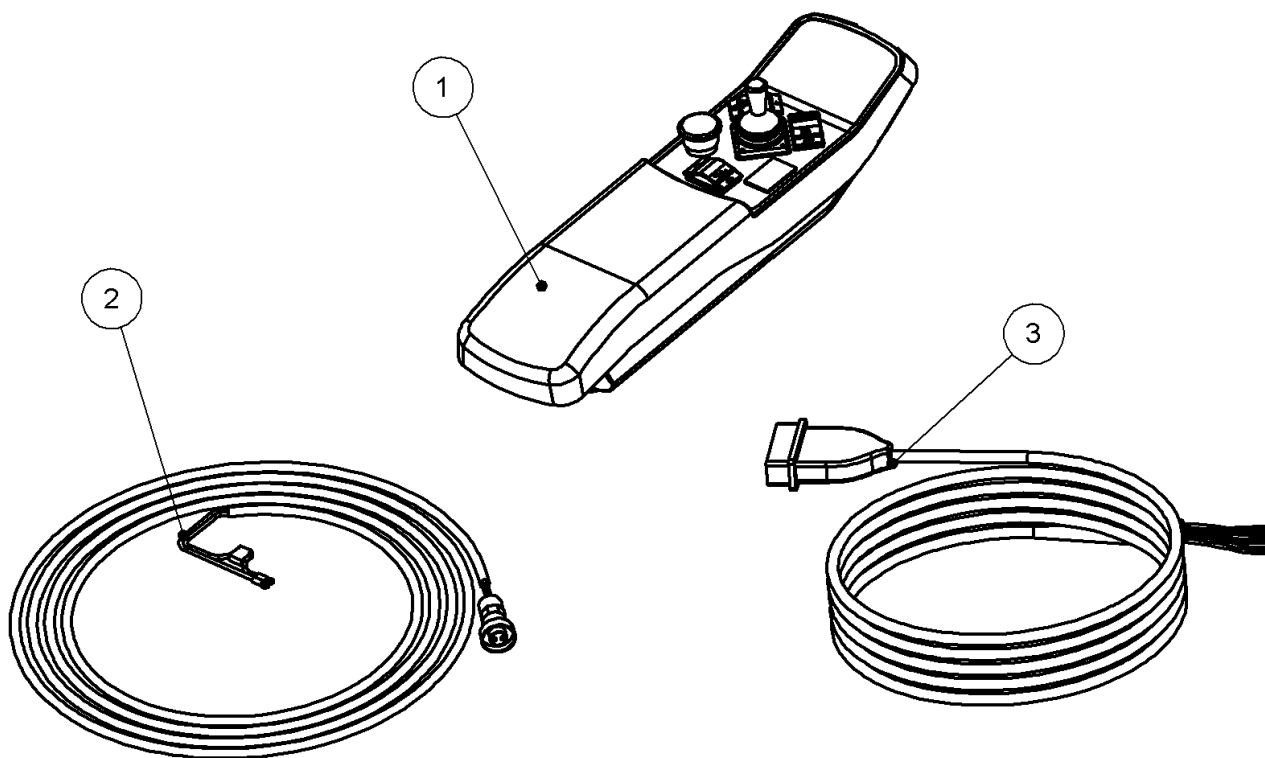


* LOOM - DCU CONTROL BOX - 45711.01

* LOOM - MOTOR CONTROL - 45714.01

ITEM NO.	PART NUMBER	DESCRIPTION	QTY.
1	45710.04	CONTROL BOX DCU	1
2	08.987.01	CABLE ASSY - 2 SORE	1
3	46137.01	BRACKET - DCU	1
4	03.100.01	STUD M10x34	2
5	05.282.02	SPRING WASHER M10	2
6	05.286.02	NUT M10	2
7	45715.03	ECU BOX ASSY. - 5SV+M EPP3	1
8	45713.03	LOOM - ECU 5SV EPP3	0
9	43034.01	BLADE FUSE 15 AMP	0
10	45712.03	ECU BOX - EPP3 5SV	0

EPP11 4SV + HF ASSY LH - 76.426.07

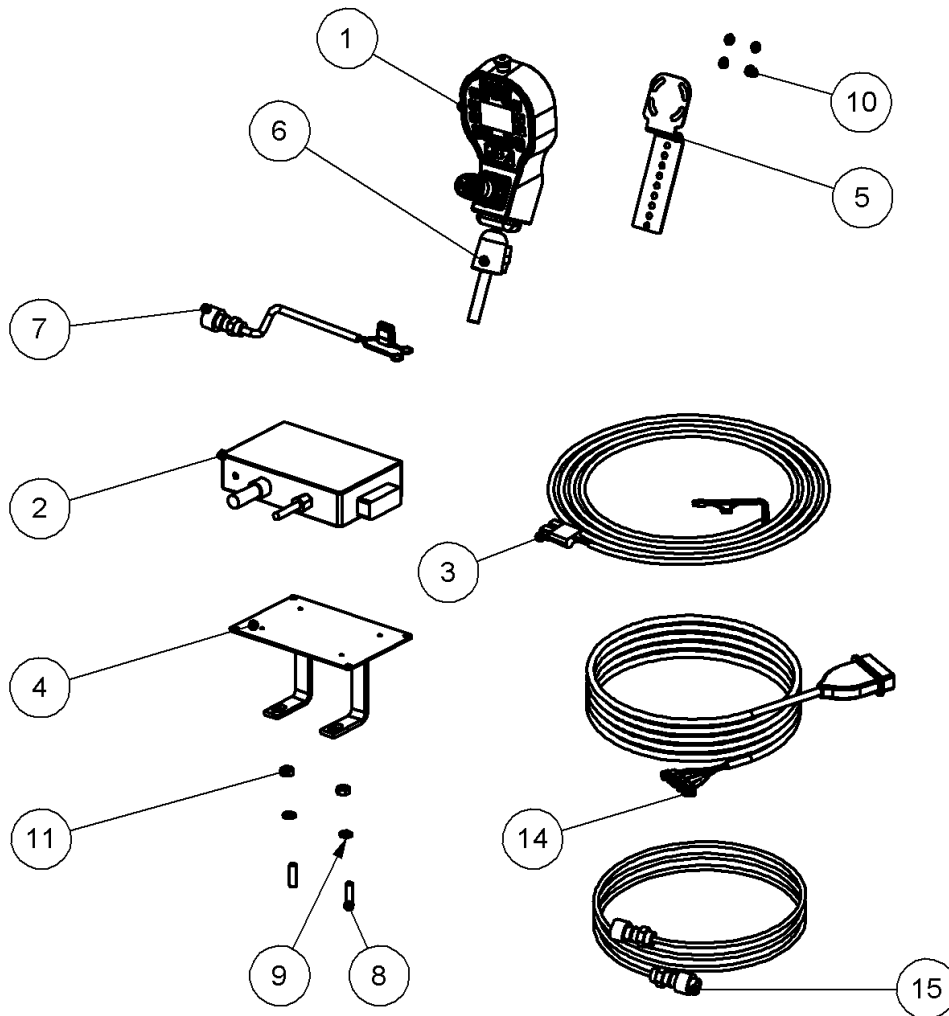


- * WIRING DIAGRAM - 42197.97
- * WIRING DIAGRAM - 42197.98
- * STD DIGITAL PCB - 42226.84
- * DECAL SET EPP11 LH - 42226.96

ITEM NO.	PART NUMBER	DESCRIPTION	QTY.
1	42226.13	CONTROL BOX 4 SERVICE LH	1
	47542.11	ARM REST ASSEMBLY	1
	47542.02	LOWER ARM REST	1
	47542.03	UPPER BOX EPP2 RH	1
	41786.33	SWITCH E/STOP	1
	41786.34	JOYSTICK ASSY	1
	41786.35	SWITCH ASSY COWL	1
	41786.38	SWITCH ASSY HEAD FLOAT	1
	41786.36	SWITCH ASSY SLEW	1
	48046.31	BLANKING PLUG	1
	2	08.987.01	CABLE ASSY - 2 SORE
3	42197.12	WIRE LOOM	1

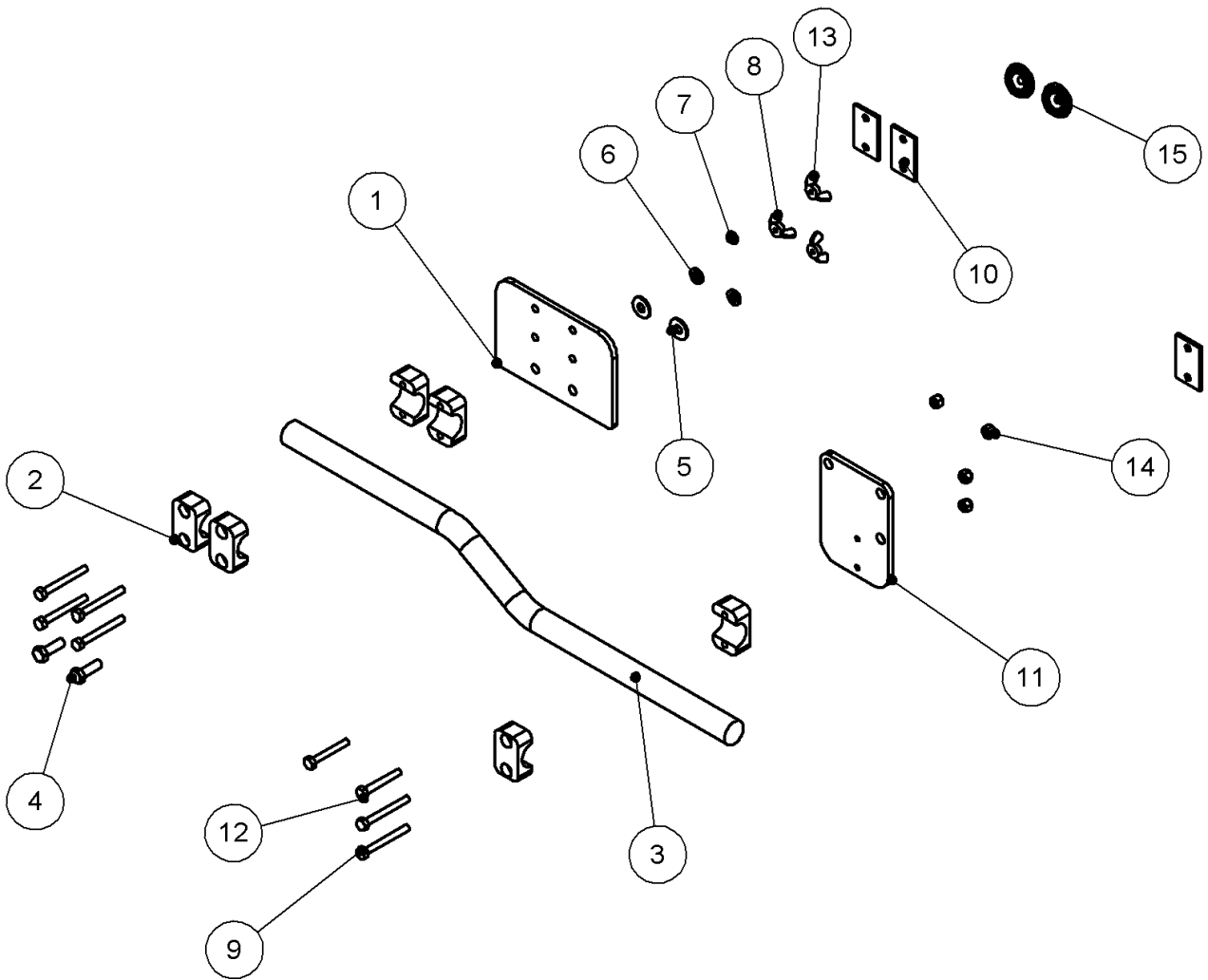
REF	PART NO.	DESCRIPTION	QTY
76.426.37 EPPII RCA ASSY RH 7435			
01	42226.38	EPPII CONTROL BOX BASIC BUILD	1
02	08.987.01	CABLE ASSY – 2 CORE X 5.6 MHVY	1
02	43034.01	BLADE FUSE 15 AMP	0
05	41814.07	WIRING LOOM- EPPII B80M 3M	1
06	05.281.10	FLAT WASHER 6MM PLATED	1
06	05.282.07	SPRING WASHER 6MM PLATED	2
06	05.286.10	NUT M6 PLATED	2
06	43146.01	SLEW CONTROLLER	2
10	05.264.66	SETSCREW M6 X 40MM PLATED	1
10	05.281.10	FLAT WASHER 6MM PLATED	1
10	05.282.07	SPRING WASHER 6MM PLATED	1
10	43129.01	CABLE CLAMP	1
11	05.281.10	FLAT WASHER 6MM PLATED	1
11	05.282.07	SPRING WASHER 6MM PLATED	1
11	05.839.04	SETSCREW M6 X 30MM PLATED	1
11	07.835.02	GASKET FOR HIRSCHMAN CONNECTOR	18
12	07.835.03	SCREW FOR HIRSCHMAN CONNECTOR	18

RCA ECU ASSY ICS BASIC - 77.285.01



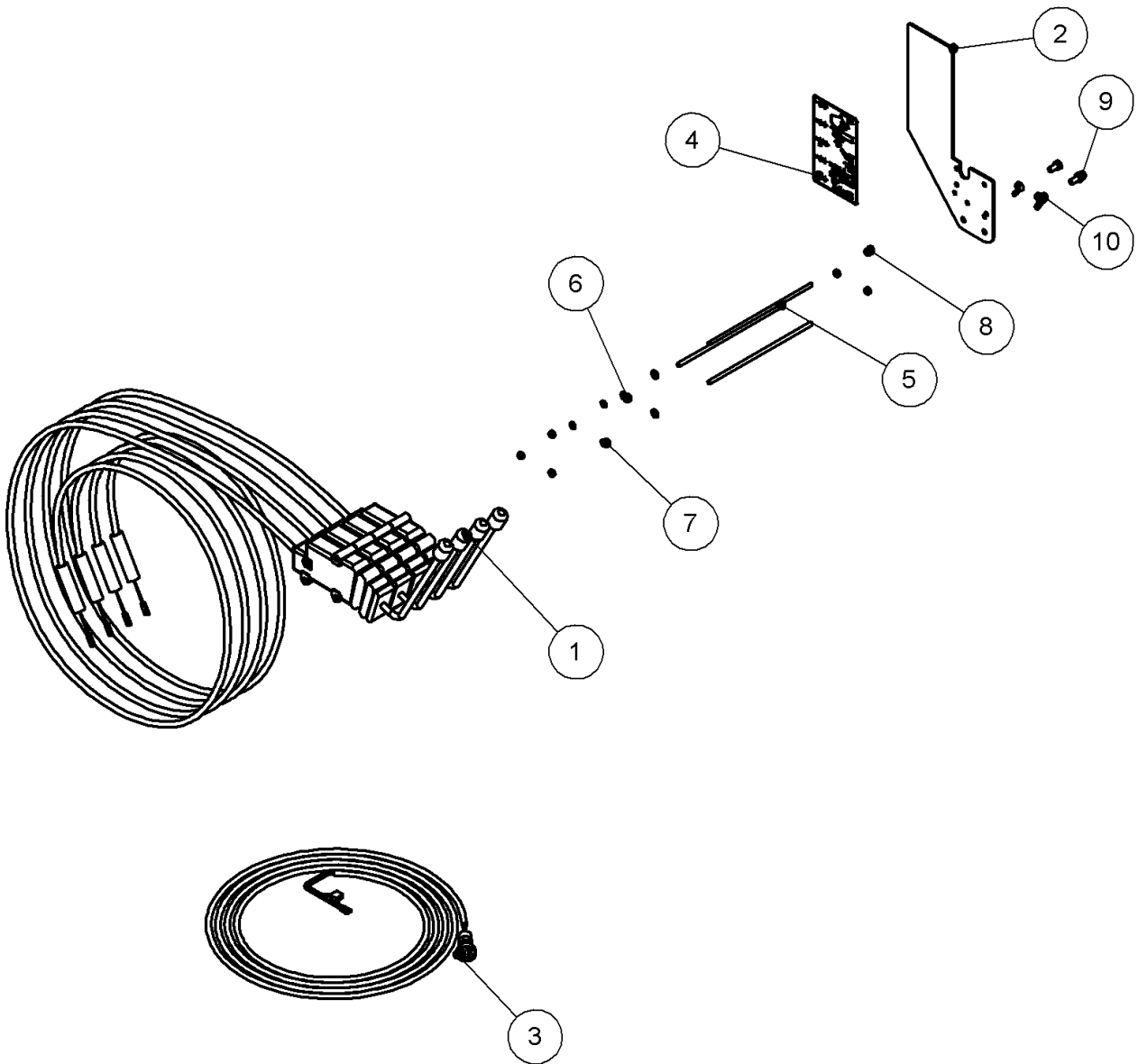
ITEM NO.	PART NUMBER	DESCRIPTION	QTY.
1	46728.01	ICS CONTROL BOX	1
2	46795.01	ICS ECU BOX	1
3	46796.02	POWER LOOM	1
4	46800.01	ICS ECU BRACKET	1
5	46873.01	MOUNTING PLATE	1
6	46679.01	ARM REST CLAMP	1
7	43034.03	BLADE FUSE 30AMP	0
8	03.100.01	STUD M10x34	2
9	05.282.02	SPRING WASHER M10	2
10	05.281.10	FLAT WASHER M6	4
11	05.286.02	NUT M10	2
12	07.835.02	GASKET FOR HIRSCHMAN CONNECTOR	13
13	07.835.03	SCREW FOR HIRSCHMAN CONNECTOR	13
14	46797.01	VALVE SOLENOID WIRING LOOM	1
15	46817.01	CAN LOOM	1

EPPIIM RCA CAB SIDE MNT 6359 - 76.426.25



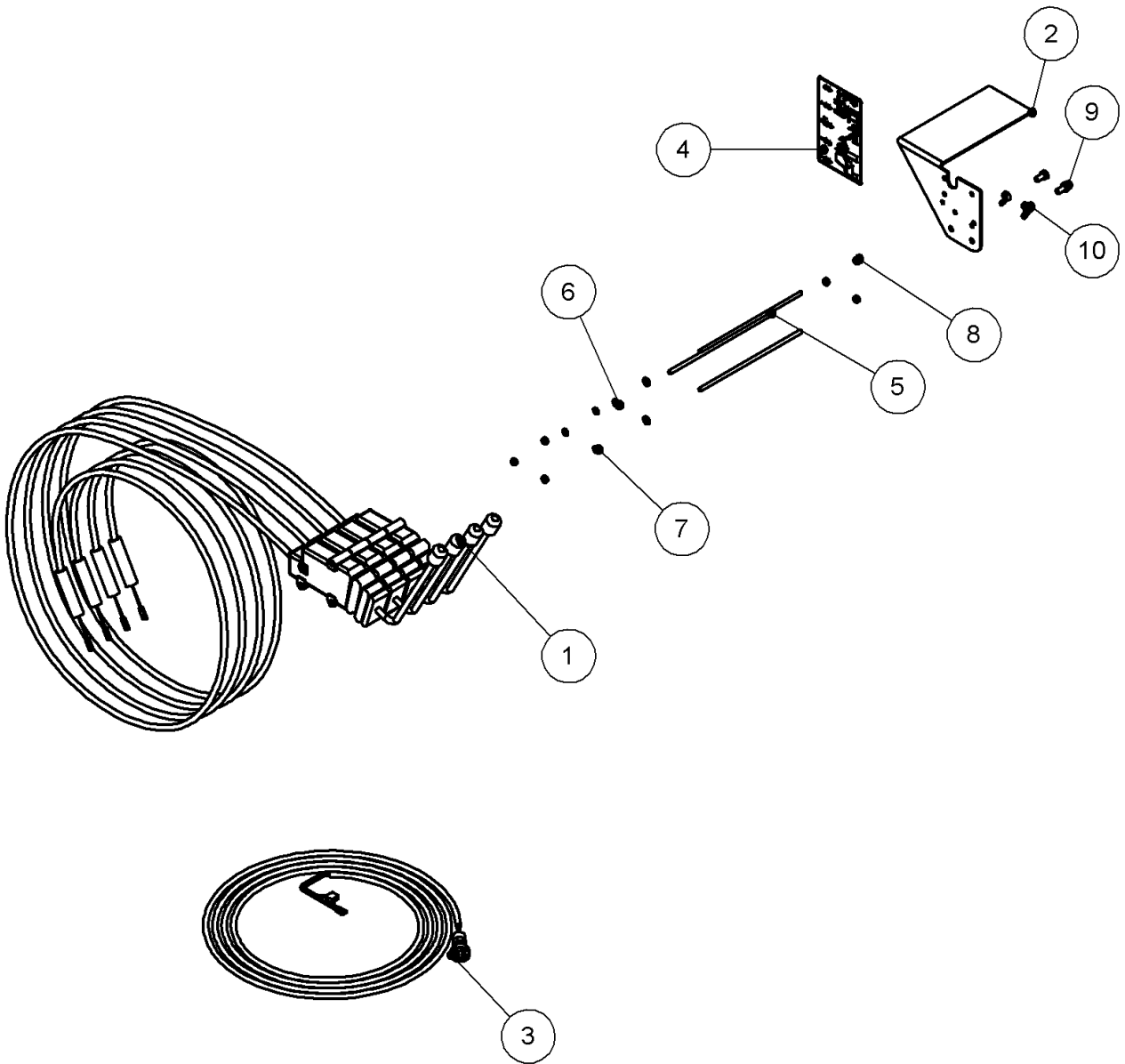
ITEM NO.	PART NUMBER	DESCRIPTION	QTY.
1	08.317.01	PLATE 6	1
2	30.209.71	1" PIPE CLAMP	6
3	42312.02	BRACKET - MOUNTING	1
4	05.264.02	SETSCREW M8x25	2
5	05.281.01	FLAT WASHER M8	2
6	05.282.01	SPRING WASHER M8	2
7	05.282.07	SPRING WASHER M6	3
8	05.948.07	WING NUT M8	2
9	30.068.90	M6 BOLTS	7
10	30.209.73	COVER PLATE	3
11	41.046.01	PLATE -LVR MTG - 6MM	1
12	30.068.88	BOLT M6 X 45MM	2
13	05.948.37	WINGNUT- M6	3
14	30.070.64	NUT NYLOC M6 Z/P	4
15	06.729.02	PLUG - PLASTIC 1"X10	2

REMOTE CONTROL - CABLE - 77.135.01



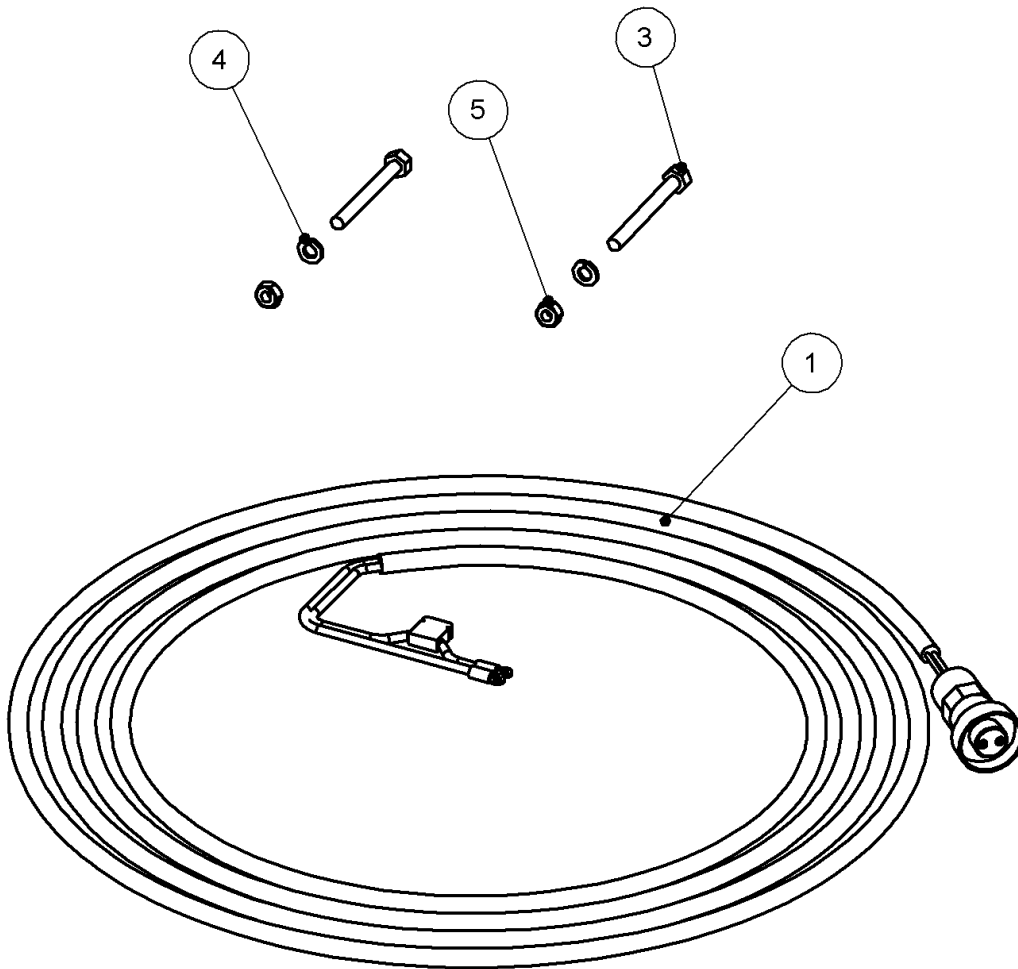
ITEM NO.	PART NUMBER	DESCRIPTION	QTY.
1	04.265.96	R.C. ASSY 3.0M LONG BLACK	4
2	09.969.01	PLATE 3	1
3	09.968.10	CABLE ASSY TMC - 4.0M	1
4	09.916.01	DECAL - LEVER OP. 5 LEVER LH	1
5	04.282.71	STUD M6X233	3
6	05.281.10	FLAT WASHER M6	3
7	05.282.07	SPRING WASHER M6	3
8	05.286.10	NUT M6	6
9	05.839.03	SETSCREW M8X16	2
10	05.948.07	WING NUT M8	2

REMOTE CTRL CABLE DSR RHLE - 77.135.03



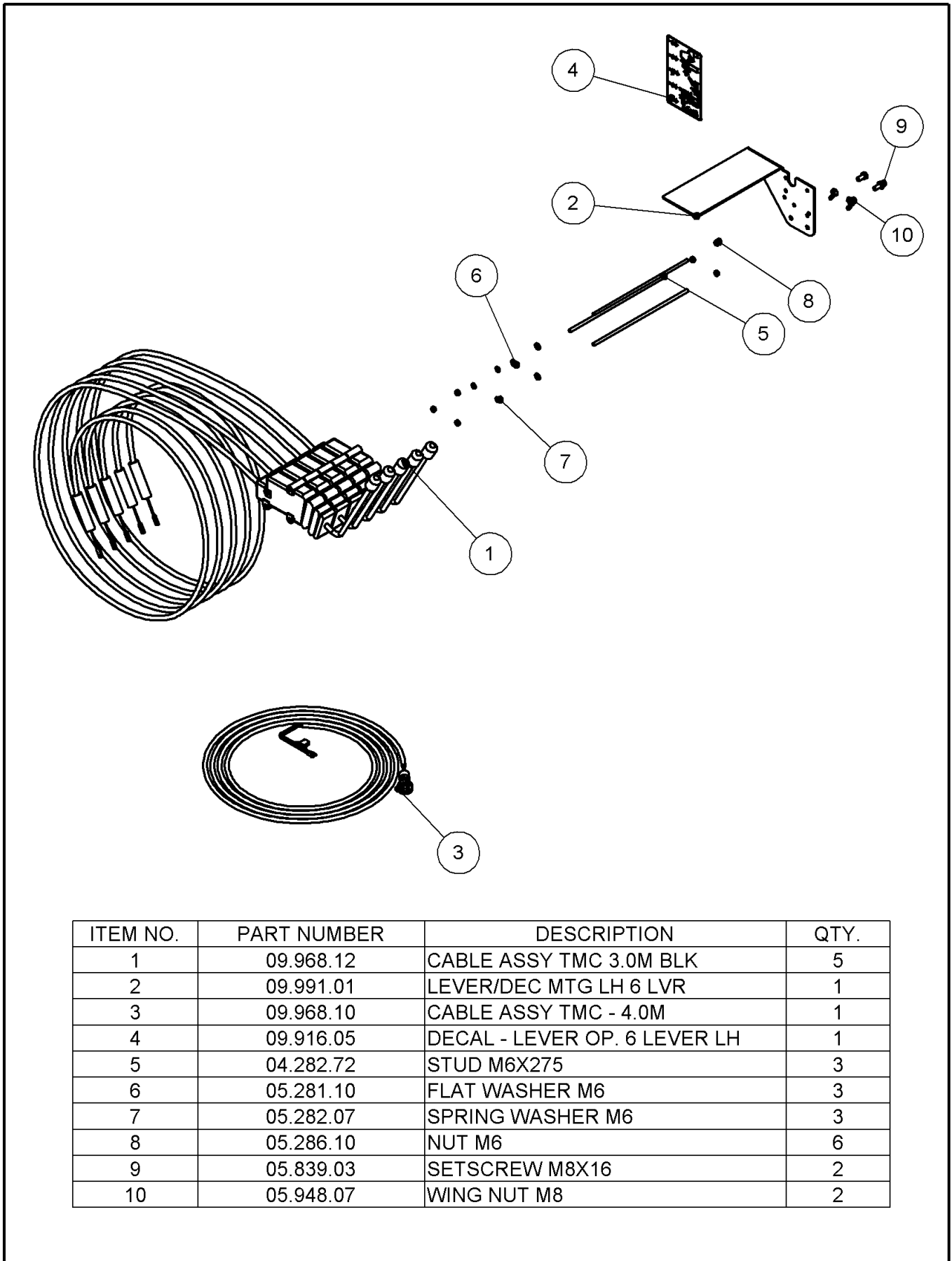
ITEM NO.	PART NUMBER	DESCRIPTION	QTY.
1	04.265.96	R.C. ASSY 3.0M LONG BLACK	4
2	09.969.02	BRKT -5 LVR MTG RH - 3MM PLT	1
3	09.968.16	CABLE ASSY TMC 4.0M RED SHRT	1
4	09.916.02	DECAL - LEVER OP. 5 LEVER RH	1
5	04.282.71	STUD M6X233	3
6	05.281.10	FLAT WASHER M6	3
7	05.282.07	SPRING WASHER M6	3
8	05.286.10	NUT M6	6
9	05.839.03	SETSCREW M8X16	2
10	05.948.07	WING NUT M8	2
11	41.083.01	DECAL - ROTOR REVERSING	1

RCA CABLE DSR RH DCU - 77.135.04



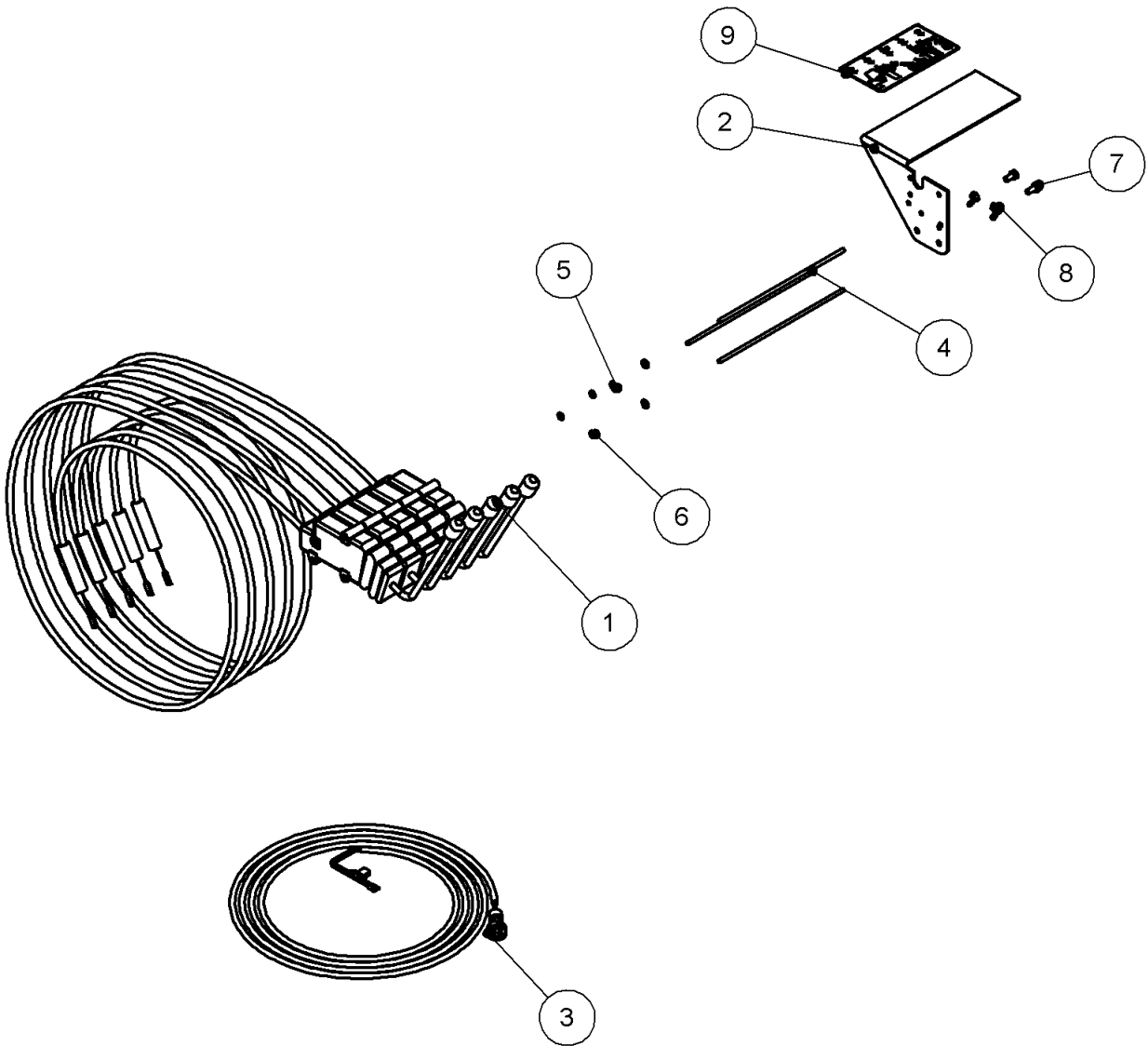
ITEM NO.	PART NUMBER	DESCRIPTION	QTY.
1	09.968.16	CABLE ASSY TMC 4.0M RED SHRT	1
2	41.083.01	DECAL - ROTOR REVERSING	1
3	30.068.90	M6 BOLTS	2
4	05.282.07	SPRING WASHER M6	2
5	05.286.10	NUT M6	2

REMOTE CTRL CABLE LH 8997LE - 77.135.05



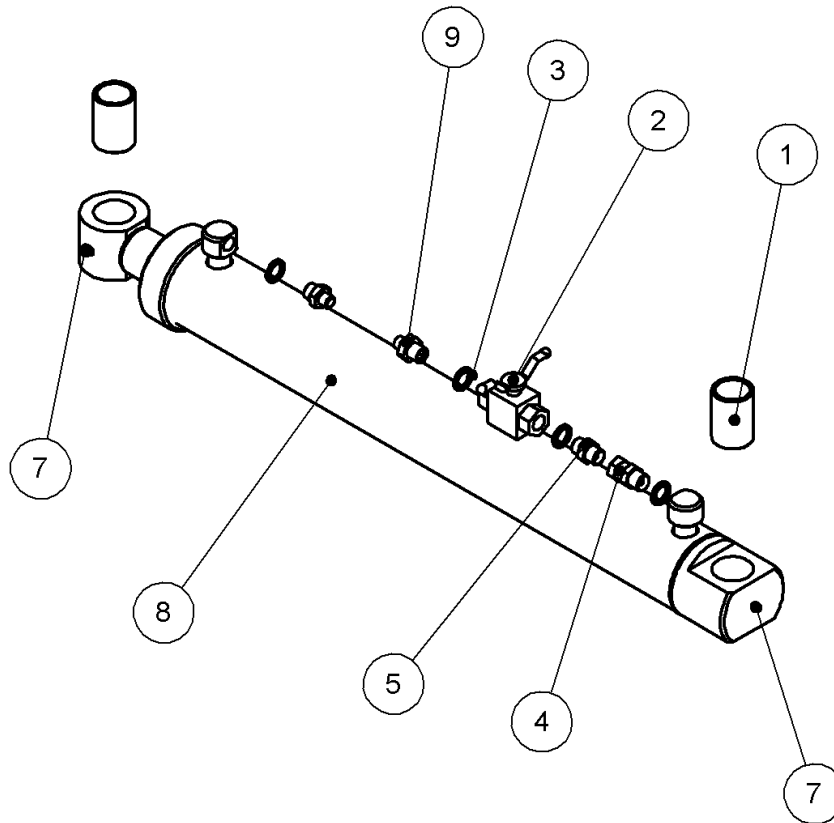
ITEM NO.	PART NUMBER	DESCRIPTION	QTY.
1	09.968.12	CABLE ASSY TMC 3.0M BLK	5
2	09.991.01	LEVER/DEC MTG LH 6 LVR	1
3	09.968.10	CABLE ASSY TMC - 4.0M	1
4	09.916.05	DECAL - LEVER OP. 6 LEVER LH	1
5	04.282.72	STUD M6X275	3
6	05.281.10	FLAT WASHER M6	3
7	05.282.07	SPRING WASHER M6	3
8	05.286.10	NUT M6	6
9	05.839.03	SETSCREW M8X16	2
10	05.948.07	WING NUT M8	2

REMOTE CTRL CABLE RHLE - 77.135.06



ITEM NO.	PART NUMBER	DESCRIPTION	QTY.
1	09.968.12	CABLE ASSY TMC 3.0M BLK	5
2	09.991.02	LVR/DEC MTG RH 6 LVR	1
3	09.968.10	CABLE ASSY TMC - 4.0M	1
4	04.282.72	STUD M6X275	3
5	05.281.10	FLAT WASHER M6	3
6	05.282.07	SPRING WASHER M6	3
7	05.839.03	SETSCREW M8X16	2
8	05.948.07	WING NUT M8	2
9	09.916.06	DECAL - LEVER OP. 6 LEVER RH	1

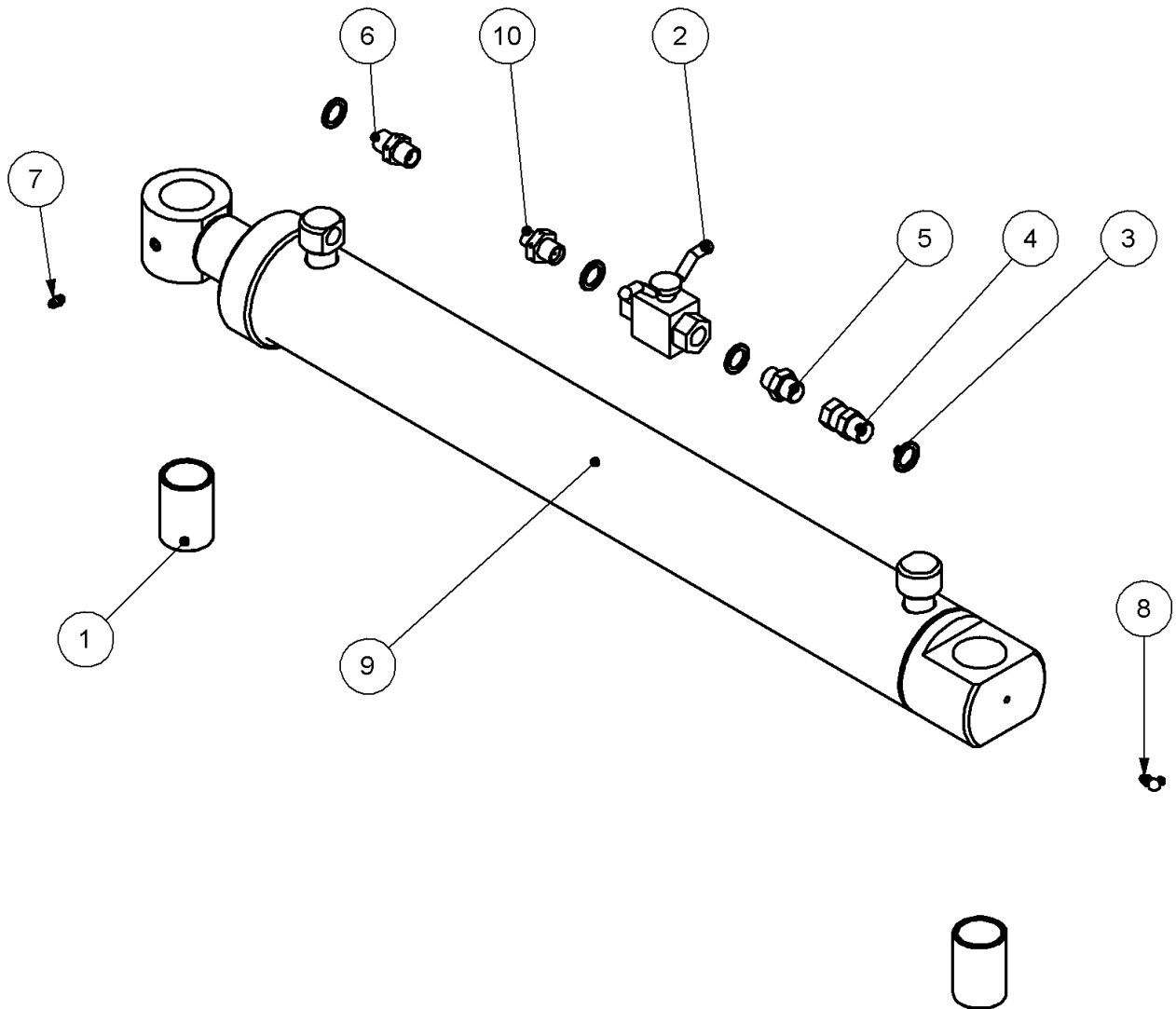
RAM ASSY - FIRST 885 - 77.104.01



SEAL KIT - PART NO 46002.26

ITEM NO.	PART NUMBER	DESCRIPTION	QTY.
1	08.297.08	BUSH 42x35x60	2
2	08.200.01	VALVE - ISOLATING	1
3	05.290.04	BONDED SEAL 3/8" BSP	4
4	02.714.01	ADAPTOR - SWIVEL	1
5	05.124.01	ADAPTOR 3/8"BSPx3/8"BSP	1
6	01.099.01	ADAPTOR 1/4"BSPx3/8"BSP	1
7	05.953.01	GREASE NIPPLE M6xStr	2
8	46002.04	RAM ASSY D/A 80 BORE X 615 STK	1
9	46518.12	RESTRICTOR	1

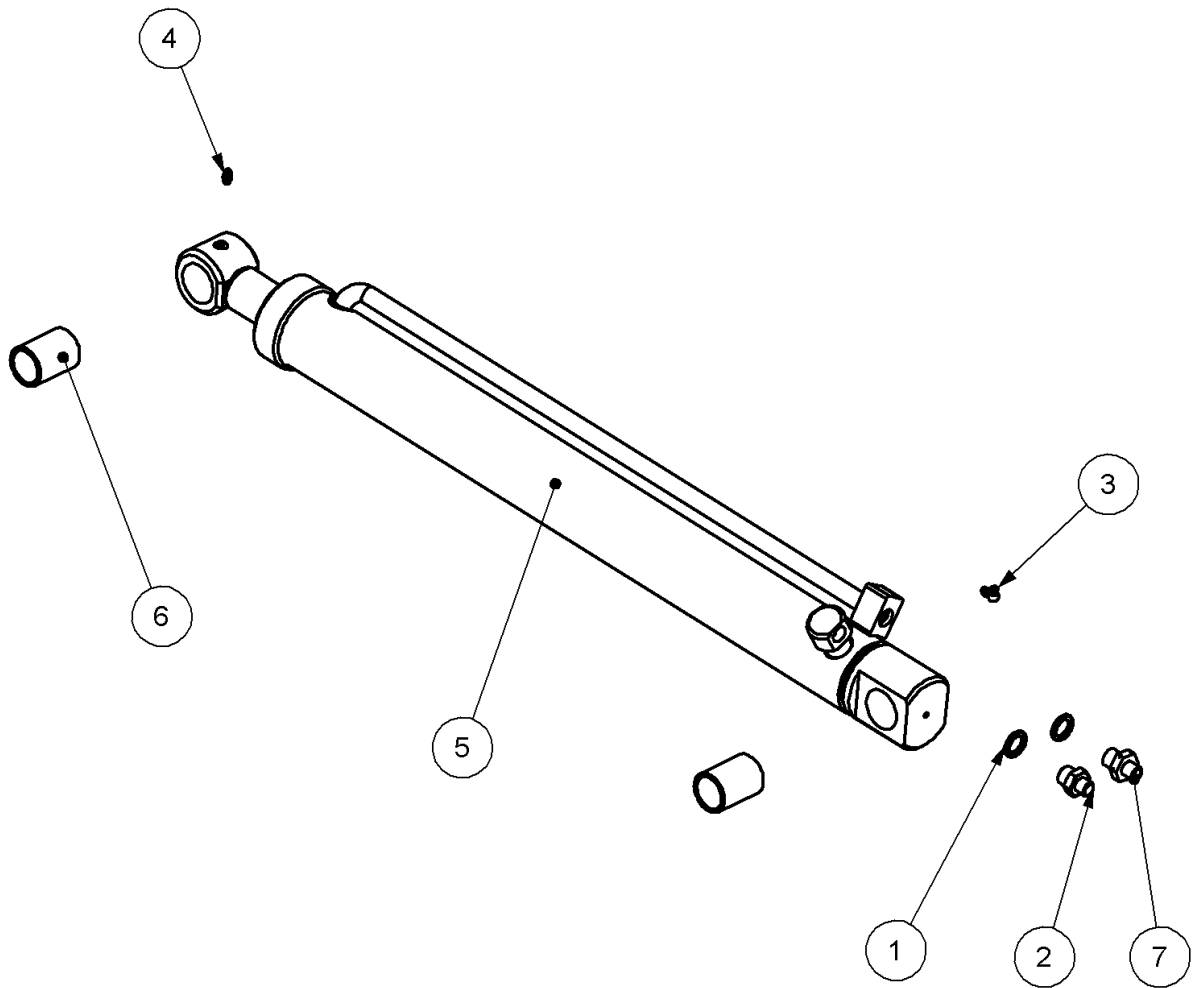
RAM ASSY FIRST RAM C - 77.104.02



SEAL KIT - 46022.26

ITEM NO.	PART NUMBER	DESCRIPTION	QTY.
1	08.297.08	BUSH 42x35x60	2
2	08.200.01	VALVE - ISOLATING	1
3	05.290.04	BONDED SEAL 3/8" BSP	4
4	02.714.01	ADAPTOR - SWIVEL	1
5	05.124.01	ADAPTOR 3/8"BSPx3/8"BSP	2
6	46518.01	RESTRICTOR	1
7	05.953.01	GREASE NIPPLE M6xStr	1
8	05.953.05	GREASE NIPPLE M6x90 deg	1
9	46002.04	RAM ASSY D/A 80 BORE X 615 STK	1
10	03.028.08	RESTRICTOR INDEX	1

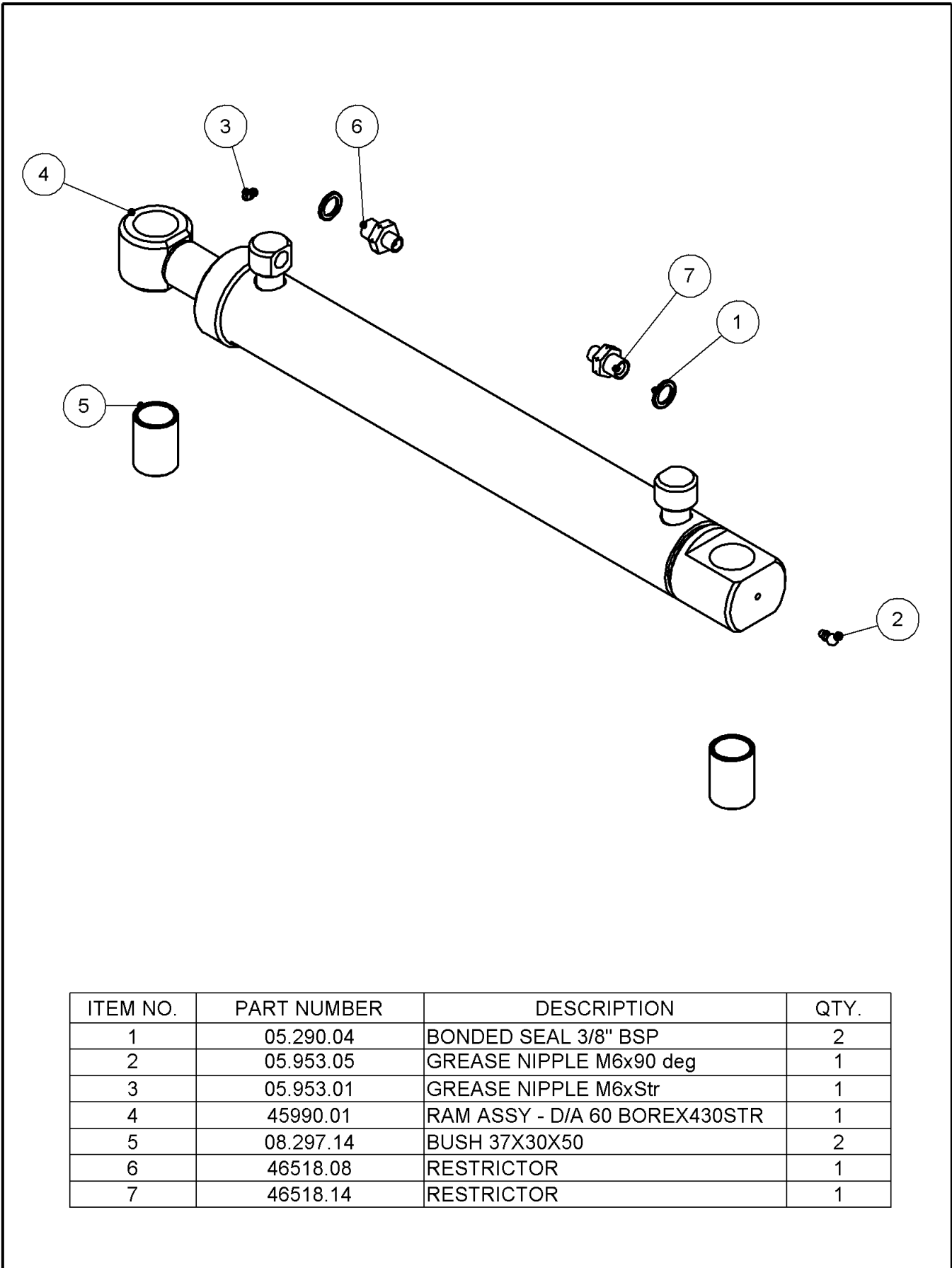
RAM ASSY - SECOND 88 - 77.114.01



* 45990.26 - SEAL KIT FOR 60 BORE RAMS45990.02 & 45990.01

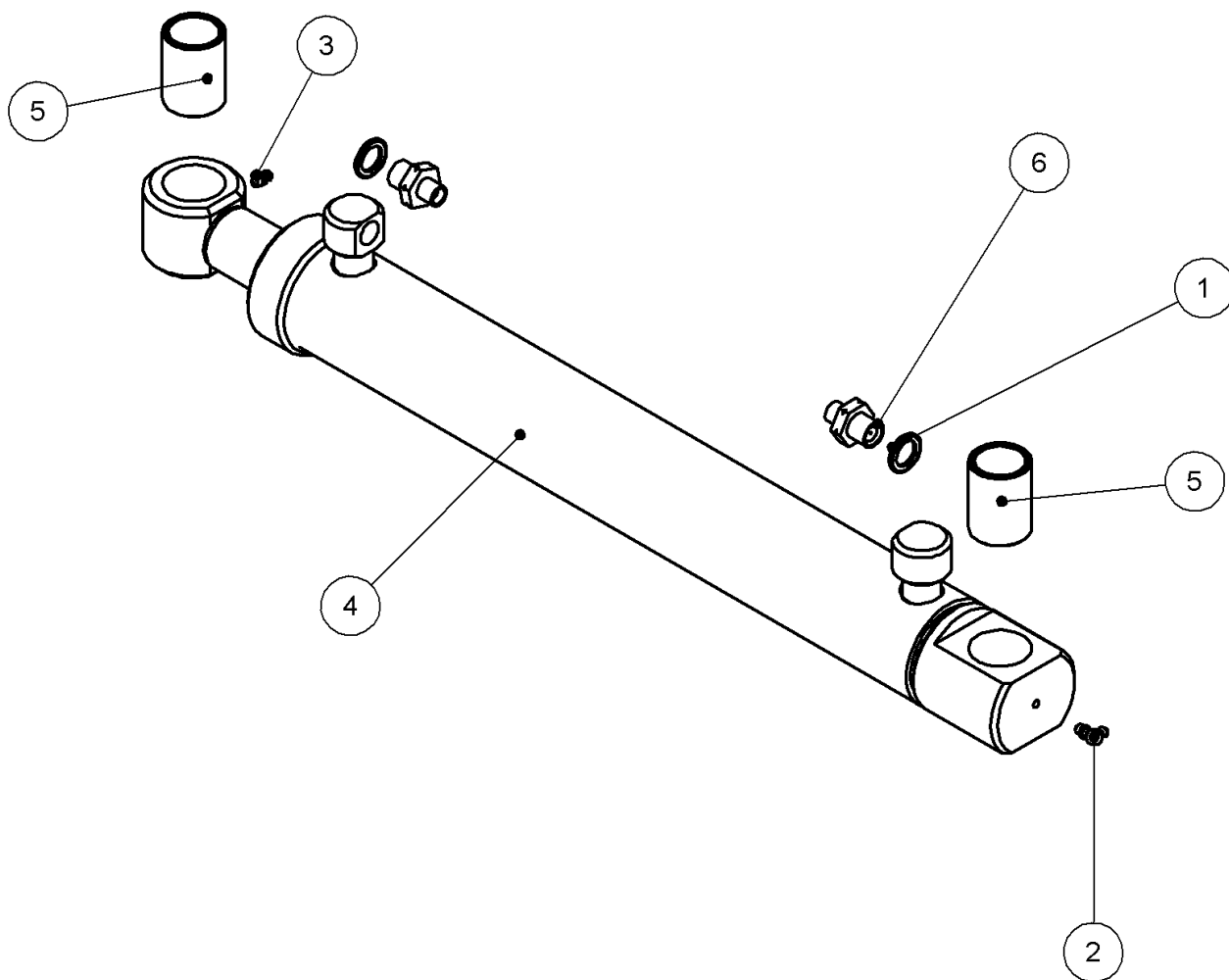
ITEM NO.	PART NUMBER	DESCRIPTION	QTY.
1	05.290.04	BONDED SEAL 3/8" BSP	2
2	01.099.01	ADAPTOR 1/4"BSPx3/8"BSP	1
3	05.953.05	GREASE NIPPLE M6x90 deg	1
4	05.953.01	GREASE NIPPLE M6xStr	1
5	45990.02	RAM ASSY - DA 60 X 605 STRK	1
6	08.297.14	BUSH 37X30X50	2
7	46518.12	RESTRICTOR	1

RAM ASSY - COWL 8852 - 77.113.01



ITEM NO.	PART NUMBER	DESCRIPTION	QTY.
1	05.290.04	BONDED SEAL 3/8" BSP	2
2	05.953.05	GREASE NIPPLE M6x90 deg	1
3	05.953.01	GREASE NIPPLE M6xStr	1
4	45990.01	RAM ASSY - D/A 60 BOREX430STR	1
5	08.297.14	BUSH 37X30X50	2
6	46518.08	RESTRICTOR	1
7	46518.14	RESTRICTOR	1

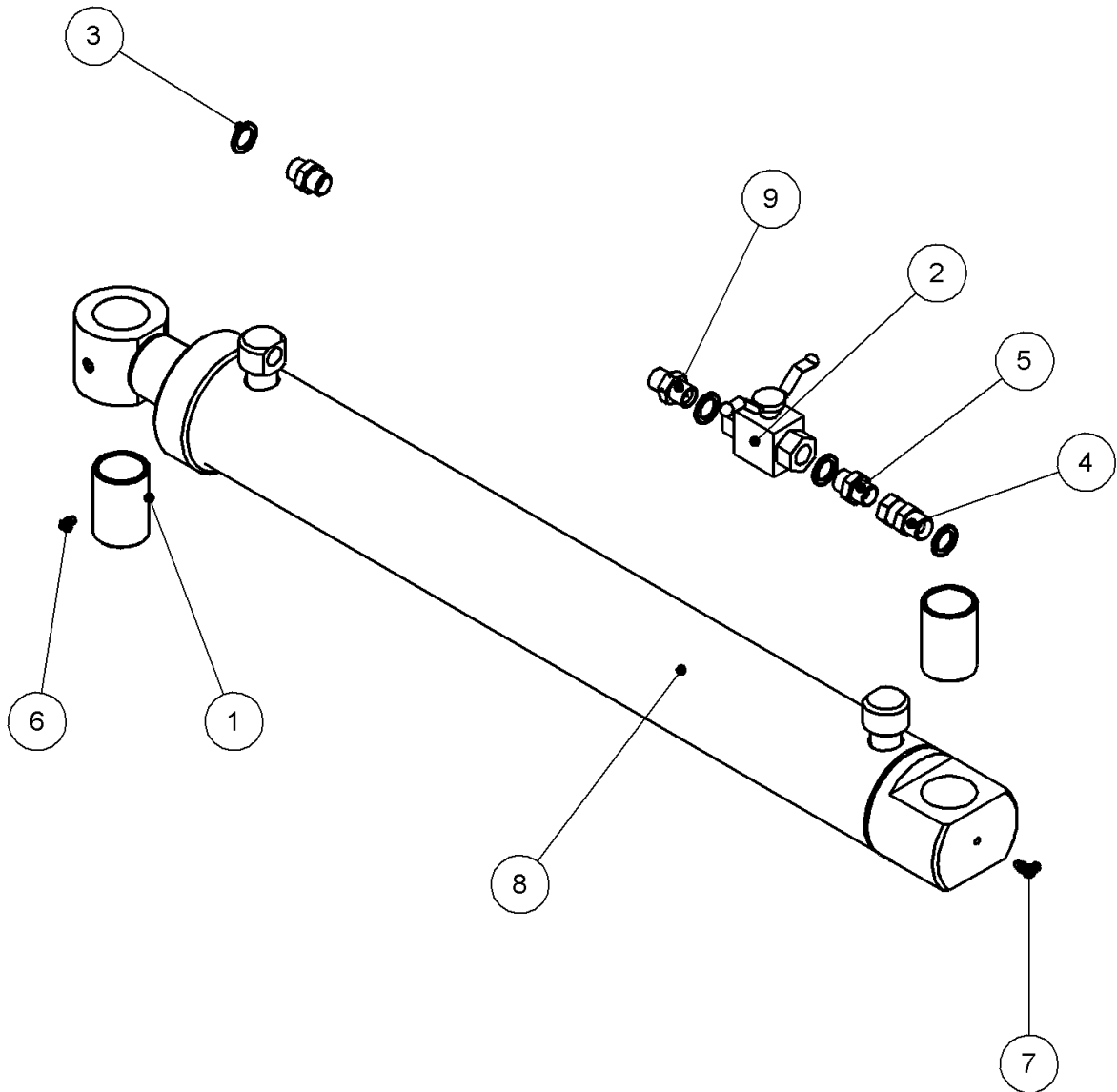
RAM ASSY COWL CABLE - 77.113.02



* SEAL KIT PART NO. - 45990.26

ITEM NO.	PART NUMBER	DESCRIPTION	QTY.
1	05.290.04	BONDED SEAL 3/8" BSP	2
2	05.953.05	GREASE NIPPLE M6x90 deg	1
3	05.953.01	GREASE NIPPLE M6xStr	1
4	45990.01	RAM ASSY - D/A 60 BOREX430STR	1
5	08.297.14	BUSH 37X30X50	2
6	46518.08	RESTRICTOR	2

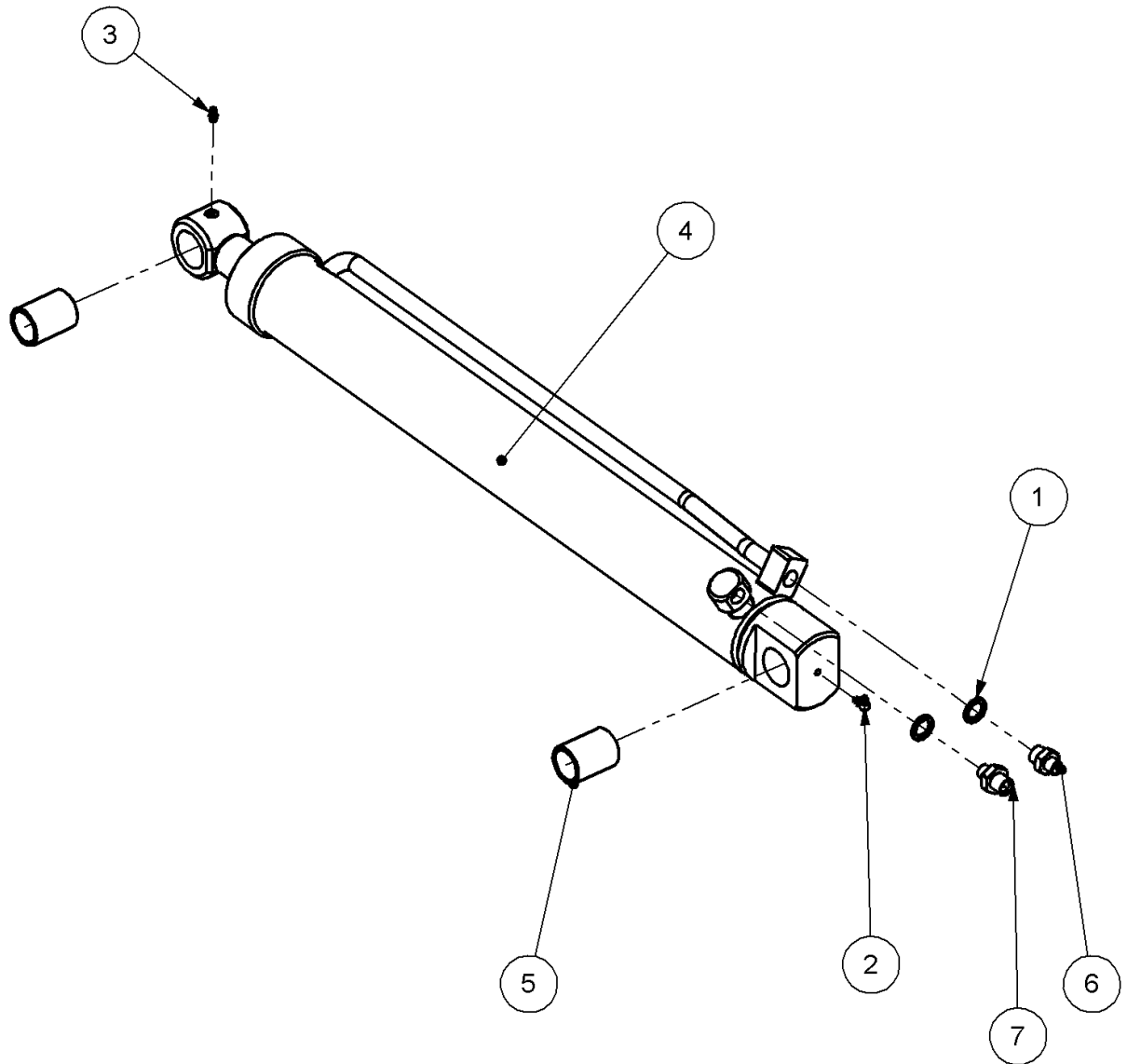
RAM ASSEMBLY SCHEDULE - 77.104.10



* SEAL KIT PART NO. - 46002.26

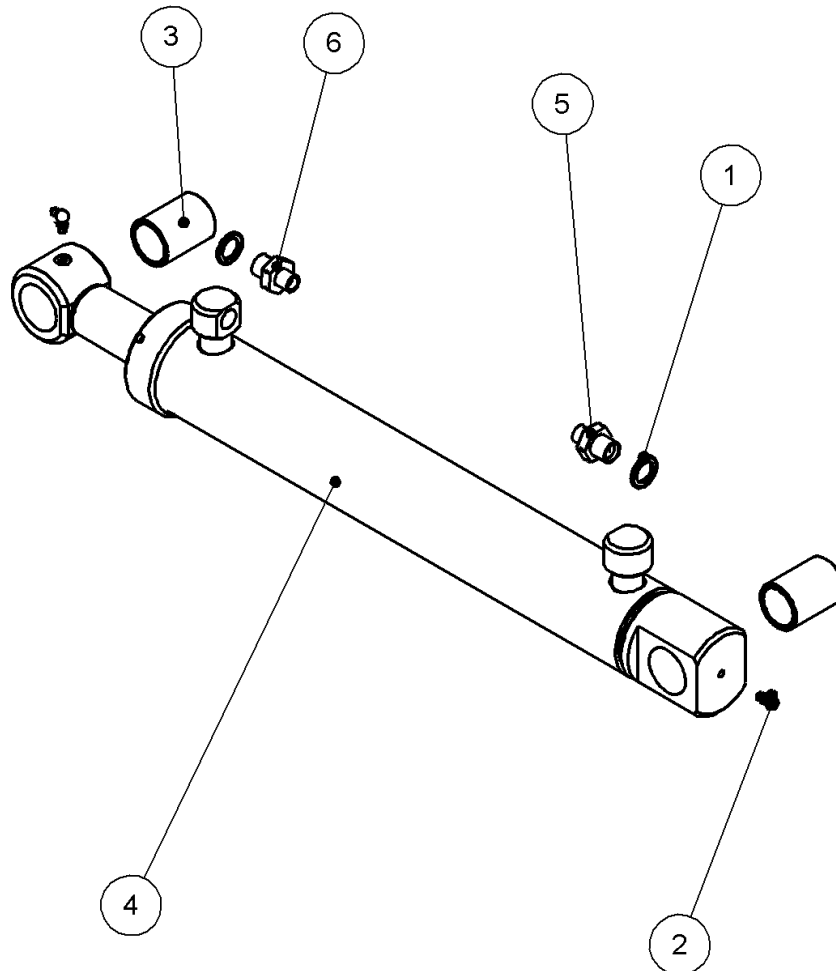
ITEM NO.	PART NUMBER	DESCRIPTION	QTY.
1	08.297.08	BUSH 42x35x60	2
2	08.200.01	VALVE - ISOLATING	1
3	05.290.04	BONDED SEAL 3/8" BSP	4
4	02.714.01	ADAPTOR - SWIVEL	1
5	05.124.01	ADAPTOR 3/8"BSPx3/8"BSP	2
6	05.953.01	GREASE NIPPLE M6xStr	1
7	05.953.05	GREASE NIPPLE M6x90 deg	1
8	46002.04	RAM ASSY D/A 80 BORE X 615 STK	1
9	46518.15	RESTRICTOR	1

RAM ASSY - SECOND TELE - 77.114.05



ITEM NO.	PART NUMBER	DESCRIPTION	QTY.
1	05.290.04	BONDED SEAL 3/8" BSP	2
2	05.953.05	GREASE NIPPLE M6x90 deg	1
3	05.953.01	GREASE NIPPLE M6xStr	1
4	46177.02	RAM ASSY D/A 70 BORE X 605	1
5	08.297.14	BUSH 37X30X50	2
6	01.099.01	ADAPTOR 1/4"BSPx3/8"BSP	1
7	46518.12	RESTRICTOR	1

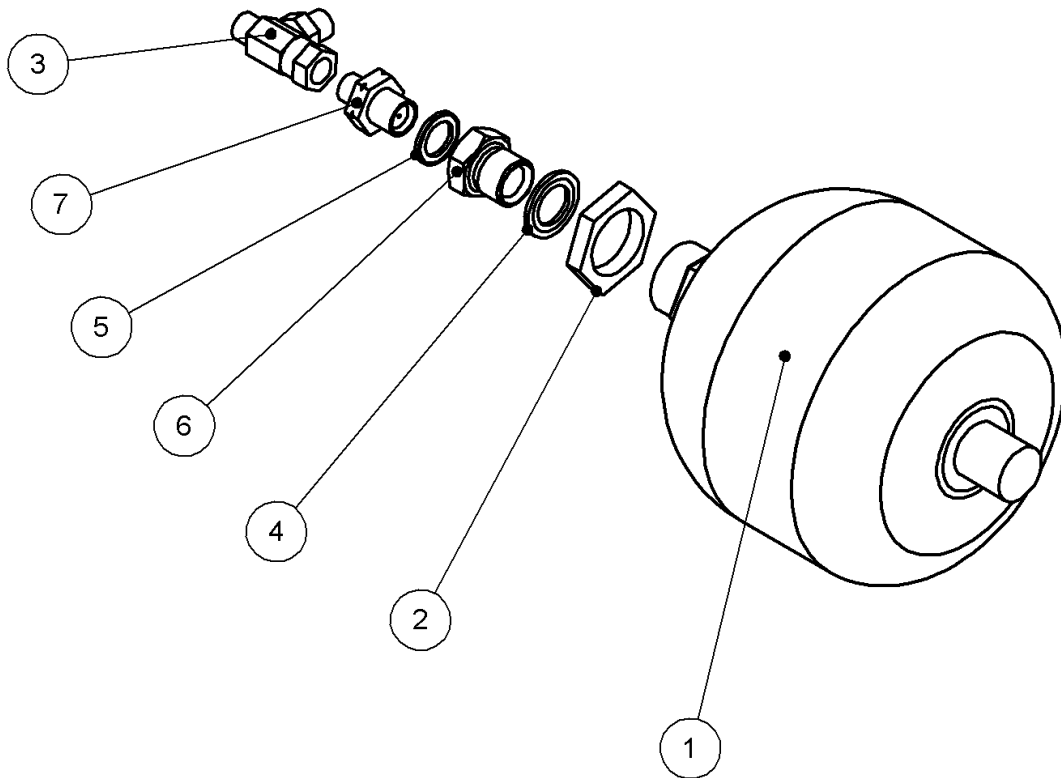
RAM ASSY SLEW CABLE - 77.111.02



* SEAL KIT PART NO. - 45942.25

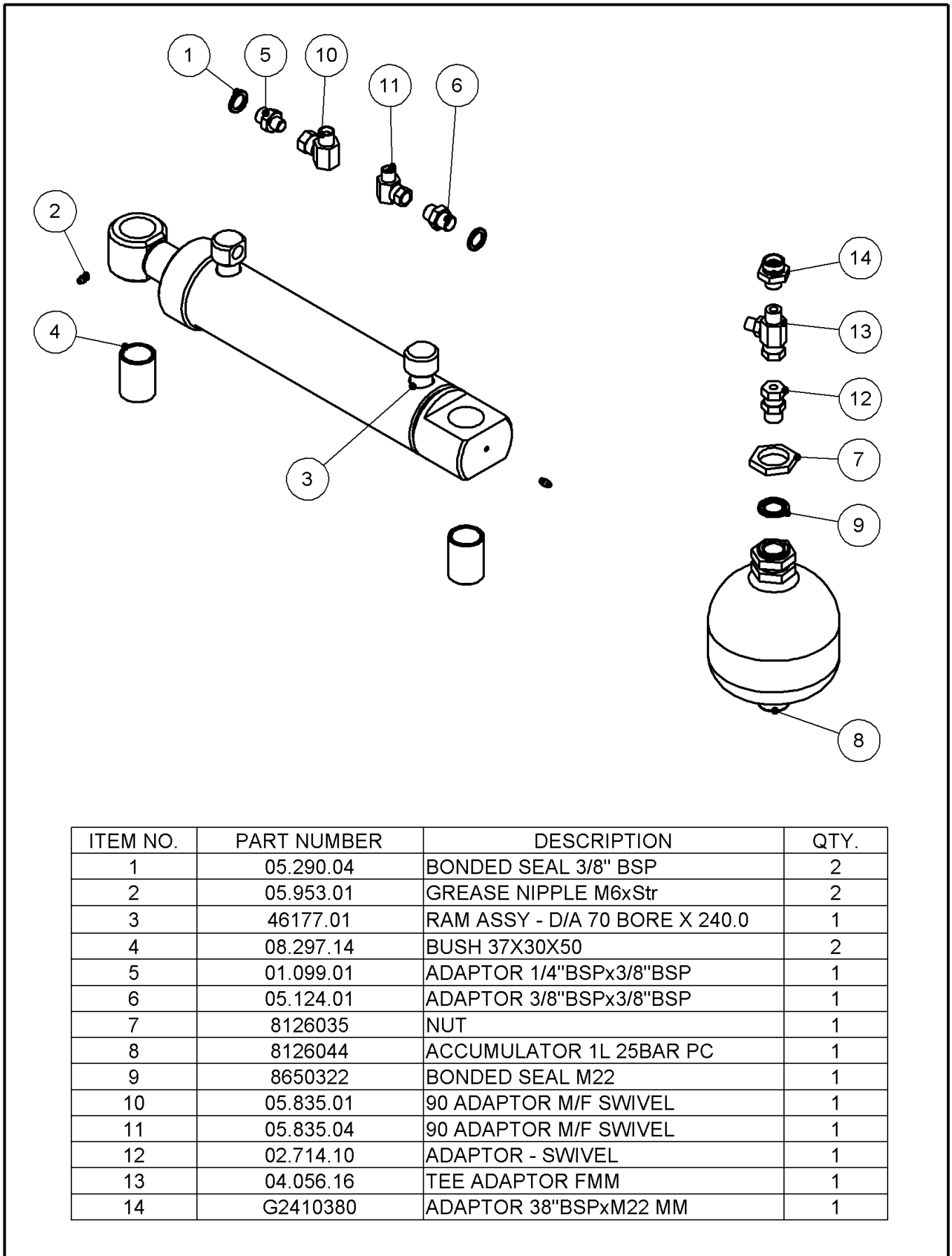
ITEM NO.	PART NUMBER	DESCRIPTION	QTY.
1	05.290.04	BONDED SEAL 3/8" BSP	2
2	05.953.05	GREASE NIPPLE M6x90 deg	2
3	08.297.14	BUSH 37X30X50	2
4	45942.01	RAM ASSY 60 BORE X 340 STK	1
5	46518.08	RESTRICTOR	1
6	46518.14	RESTRICTOR	1

ACCUMULATOR - SLEW ASSY - 77.117.01

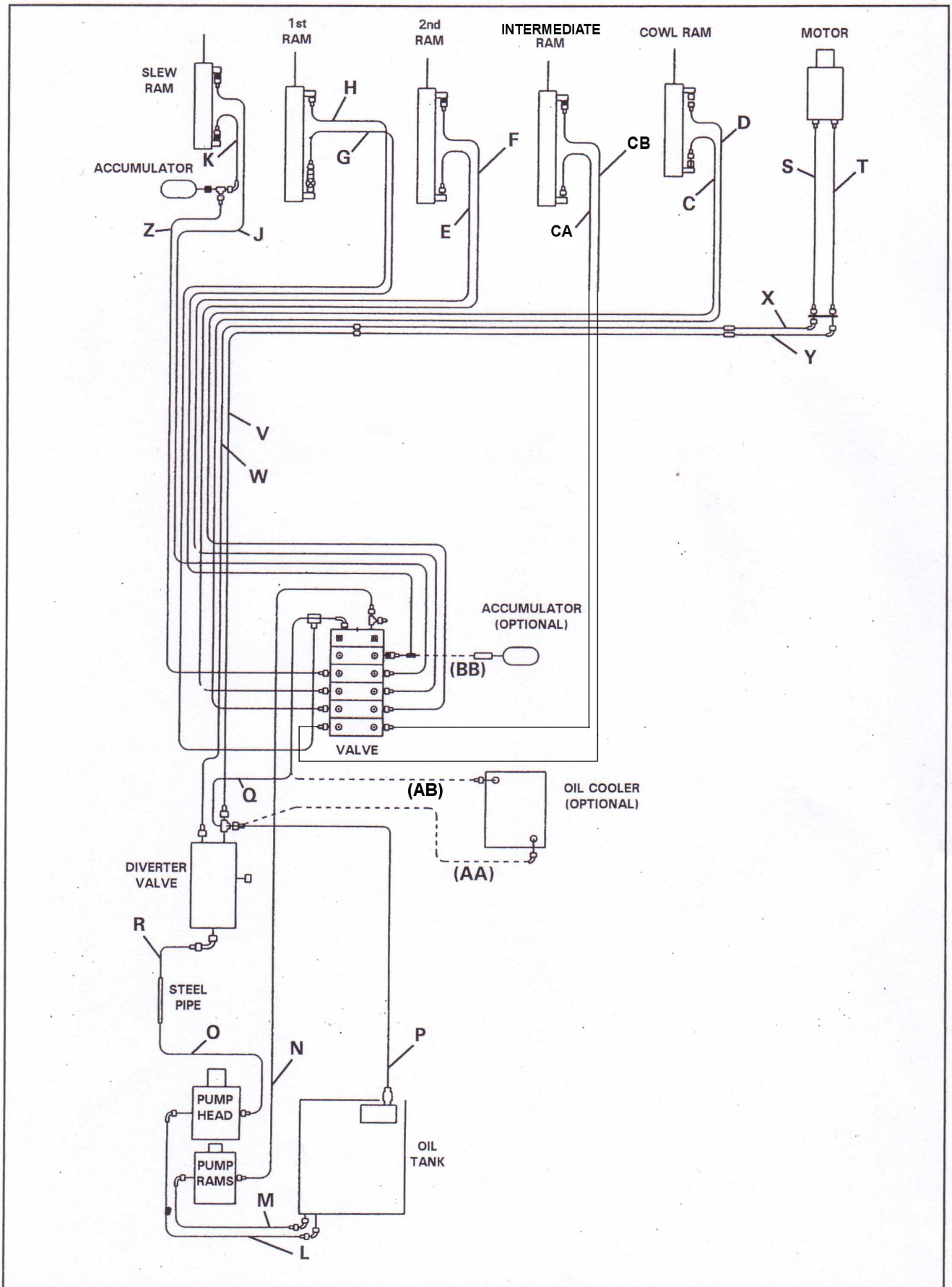


ITEM NO.	PART NUMBER	DESCRIPTION	QTY.
1	8126043	ACCUMULATOR 1.4LT - 90 BAR	1
2	8126035	NUT	1
3	04.056.10	TEE ADAPTOR FMM	1
4	05.290.00	BONDED SEAL 1/2" BSP	1
5	05.290.04	BONDED SEAL 3/8" BSP	1
6	8581284	ADAPTOR - M22X3/8BSP MF	1
7	46518.08	RESTRICTOR	1

RAM ASSY - BREAKOUT - 77.170.01



HOSE DIAGRAM



Item	Part No.	Description	Qty.
	46140.16	HOSE KIT FOR 90.200.01 & 02 (LH)	
	46140.15	HOSE KIT FOR 90.205.01 & 02 (LH)	
A	10.012.49 ▲	HOSE 1"BSP ST/90 X 3900 H.P.	1
A	10.012.53 *	HOSE 1"BSP ST/90 X 4300 H.P.	1
B	10.012.49 ▲	HOSE 1"BSP ST/90 X 3900 H.P.	1
B	10.012.53 *	HOSE 1"BSP ST/90 X 4300 H.P.	1
C	10.001.72 ▲	HOSE 1/4"BSP ST/ST X 6200	1
C	10.001.78 *	HOSE 1/4"BSP ST/ST	1
D	10.001.72 ▲	HOSE 1/4"BSP ST/ST X 6200	1
D	10.001.78 *	HOSE 1/4"BSP ST/ST	1
E	10.001.42 ▲	HOSE 1/4"BSP STXST S.SEAL 3200	1
E	10.001.45 *	HOSE 1/4"BSP STXST S.SEAL 3500	1
F	10.001.42 ▲	HOSE 1/4"BSP STXST S.SEAL 3200	1
F	10.001.45 *	HOSE 1/4"BSP STXST S.SEAL 3500	1
G	10.003.53	HOSE 3/8"BSP STXST S.SEAL 4300	1
H	10.003.53	HOSE 3/8"BSP STXST S.SEAL 4300	1
J	10.001.26	HOSE 1/4"BSP STXST S.SEAL 1600	1
K	10.002.10	HOSE 1/4"BSP STX90 S.SEAL 500	1
L	10.024.04	HOSE 1.5"BSP STX90 FLANGE 600	1
M	10.012.09	HOSE 1"BSP STX90 S.SEAL 450	1
N	10.004.25	HOSE 3/8"BSP STX90 SS EAL 1500	1
O	10.022.38	HOSE 1"BSP 90/ST FLANGE 650	1
P	10.012.11	HOSE 1"BSP STX90 S.SEAL 550	1
Q	10.006.21	HOSE 1/2"BSP STX90 S.SEAL 1100	1
R	10.012.17	HOSE 1"BSP STX90 S.SEAL 850	1
S	10.011.26 ♣	HOSE 1"BSP STXST S SEAL 1600	1
S	10.011.22 ♦	HOSE 1"BSP STXST S.SEAL 1200	1
T	10.011.26 ♣	HOSE 1"BSP STXST S SEAL.1600	1
T	10.011.22 ♦	HOSE 1"BSP STXST S.SEAL 1200	1
V	10.011.27	HOSE 1"BSP STXST S.SEAL 1700	1
W	10.011.27	HOSE 1"BSP STXST S.SEAL 1700	1
X	10.025.21	HOSE 1" BSP ST X 135 S SEAL 1100	1
Y	10.025.22	HOSE 1" BSP ST X 135 S SEAL 1200	1
Z	10.001.26	HOSE 1/4"BSP STXST S.SEAL 1600	1

- ▲ FALCON 5
- * FALCON 5.5
- ♣ L.H. MACHINES
- ♦ R.H. MACHINES

- REFER TO DIAGRAM ON PAGE 17 – 1

Item	Part No.	Description	Qty.
46140.18 HOSE KIT FOR 90.201.04 & 90.202.01/02/03/04/05/06/07/08/09			
A	10.012.49	HOSE 1"BSP ST/90 X 3900 H.P.	1
B	10.012.49	HOSE 1"BSP ST/90 X 3900 H.P.	1
C	10.001.72	HOSE 1/4"BSP ST/ST X 6200	1
D	10.001.72	1/4"BSP ST/ST X 6200	1
E	10.001.42	HOSE 1/4"BSP STXST S.SEAL 3200	1
F	10.001.42	HOSE 1/4"BSP STXST S.SEAL 3200	1
G	10.003.53	HOSE 3/8"BSP STXST S.SEAL 4300	1
H	10.003.53	HOSE 3/8"BSP STXST S.SEAL 4300	1
J	10.001.26	HOSE 1/4"BSP STXST S.SEAL 1600	1
K	10.002.10	HOSE 1/4"BSP STX90 S.SEAL 500	1
M	10.012.08	HOSE 1"BSP STX90 S.SEAL 400	1
N	10.004.25	HOSE 3/8"BSP STX90 SS EAL 1500	1
O	10.022.38	HOSE 1"BSP 90/ST FLANGE 650	1
P	10.012.11	HOSE 1"BSP STX90 S.SEAL 550	1
Q	10.006.21	HOSE 1/2"BSP STX90 S.SEAL 1100	1
R	10.012.17	HOSE 1"BSP STX90 S.SEAL 850	1
S	10.011.22	HOSE 1"BSP STXST S.SEAL 1200	1
T	10.011.22	HOSE 1"BSP STXST S.SEAL 1200	1
V	10.011.27	HOSE 1"BSP STXST S.SEAL 1700	1
W	10.011.27	HOSE 1"BSP STXST S.SEAL 1700	1
X	10.025.21	HOSE 1" BSP ST X 135 S SEAL 1100	1
Y	10.025.22	HOSE 1" BSP ST X 135 S SEAL 1200	1
Z	10.001.26	HOSE 1/4"BSP STXST S.SEAL 1600	1

- REFER TO DIAGRAM ON PAGE 17 – 1

Item	Part No.	Description	Qty.
46140.19 HOSE KIT FOR 90.205.04 & 90.206.01/02/03/04/05/06/07/08/09 & 90.207.04			
A	10.012.53	HOSE 1"BSP ST/90 X 4300 H.P.	1
B	10.012.53	HOSE 1"BSP ST/90 X 4300 H.P.	1
C	10.001.78	HOSE 1/4"BSP ST/ST	1
D	10.001.78	HOSE 1/4"BSP ST/ST	1
E	10.001.45	HOSE 1/4"BSP STXST S.SEAL 3500	1
F	10.001.45	HOSE 1/4"BSP STXST S.SEAL 3500	1
G	10.003.53	HOSE 3/8"BSP STXST S.SEAL 4300	1
H	10.003.53	HOSE 3/8"BSP STXST S.SEAL 4300	1
J	10.001.26	HOSE 1/4"BSP STXST S.SEAL 1600	1
K	10.002.10	HOSE 1/4"BSP STX90 S.SEAL 500	1
M	10.012.08	HOSE 1"BSP STX90 S.SEAL 400	1
N	10.004.25	HOSE 3/8"BSP STX90 SS EAL 1500	1
O	10.022.38	HOSE 1"BSP 90/ST FLANGE 650	1
P	10.012.11	HOSE 1"BSP STX90 S.SEAL 550	1
Q	10.006.21	HOSE 1/2"BSP STX90 S.SEAL 1100	1
R	10.012.17	HOSE 1"BSP STX90 S.SEAL 850	1
S	10.011.22	HOSE 1"BSP STXST S.SEAL 1200	1
T	10.011.22	HOSE 1"BSP STXST S.SEAL 1200	1
V	10.011.27	HOSE 1"BSP STXST S.SEAL 1700	1
W	10.011.27	HOSE 1"BSP STXST S.SEAL 1700	1
X	10.025.21	HOSE 1" BSP ST X 135 S SEAL 1100	1
Y	10.025.22	HOSE 1" BSP ST X 135 S SEAL 1200	1
Z	10.001.26	HOSE 1/4"BSP STXST S.SEAL 1600	1

- REFER TO DIAGRAM ON PAGE 17 – 1

Item	Part No.	Description	Qty.
46140.27 HOSE KIT FOR 90.211.31			
A	10.012.56	HOSE 1"BSP ST/90 X 4600 H.P.	1
B	10.012.56	HOSE 1"BSP ST/90 X 4600 H.P.	1
C	10.003.80	HOSE 3/8"BSP STXST S.SEAL 7000	1
D	10.003.80	HOSE 3/8"BSP STXST S.SEAL 7000	1
E	10.003.42	HOSE 3/8"BSP STXST S.SEAL 3200	1
F	10.003.42	HOSE 3/8"BSP STXST S.SEAL 3200	1
G	10.003.53	HOSE 3/8"BSP STXST S. SEAL4300	1
H	10.003.53	HOSE 3/8"BSP STXST S. SEAL4300	1
J	10.003.26	HOSE 3/8"BSP STXST S.SEAL 1600	1
K	10.004.10	HOSE 3/8"BSP STX90 S.SEAL 500	1
L	10.003.60	HOSE 3/8"BSP STXST S.SEAL 5000	1
M	10.012.08	HOSE 1" BSP ST X 90 S.SEAL 400	1
N	10.004.25	HOSE 3/8"BSP STX90 S.SEAL 1500	1
O	10.022.38	HOSE 1"BSP STX90 FLANGE 650	1
P	10.012.11	HOSE 1"BSP STX90 S.SEAL 550	1
Q	10.006.20	HOSE 1/2"BSP STX90 S.SEAL 1000	1
S	10.011.26	HOSE 1"BSP STXST S.SEAL 1600	1
T	10.011.26	HOSE 1"BSP STXST S.SEAL 1600	1
V	10.011.27	HOSE 1"BSP ST/ST X 1700 S.SEAL	1
W	10.011.27	HOSE 1"BSP ST/ST X 1700 S.SEAL	1
X	10.025.21	HOSE 1"BSP STX135 S.SEAL 1100	1
Y	10.025.22	HOSE 1"BSP STX135 S.SEAL 1200	1
Z	10.003.26	HOSE 3/8"BSP STXST S.SEAL 1600	1

- REFER TO DIAGRAM ON PAGE 17 – 1

Item	Part No.	Description	Qty.
46140.28 HOSE KIT FOR 90.213.31 & 90.214.31			
A	10.012.62	HOSE 1"BSP STX90 S.SEAL 5200	1
B	10.012.62	HOSE 1"BSP STX90 S.SEAL 5200	1
C	10.001.86	HOSE 1/4"BSP STXST S.SEAL 7600	1
D	10.001.86	HOSE 1/4"BSP STXST S.SEAL 7600	1
E	10.001.45	HOSE 1/4"BSP STXST S.SEAL 3500	1
F	10.001.45	HOSE 1/4"BSP STXST S.SEAL 3500	1
G	10.003.53	HOSE 3/8"BSP STXST S. SEAL4300	1
H	10.003.53	HOSE 3/8"BSP STXST S. SEAL4300	1
J	10.002.26	HOSE 1/4"BSP STX90 S.SEAL 1600	1
K	10.002.10	HOSE 1/4"BSP STX90 S.SEAL 500	1
N	10.004.25	HOSE 3/8"BSP STX90 S.SEAL 1500	1
O	10.022.38	HOSE 1"BSP STX90 FLANGE 650	1
P	10.012.08	HOSE 1" BSP ST X 90 S.SEAL 400	1
Q	10.006.20	HOSE 1/2"BSP STX90 S.SEAL 1000	1
R	10.011.10	HOSE 1"BSP STXST S.SEAL 500	1
S	10.011.22	HOSE 1"BSP STXST S.SEAL 1200	1
T	10.011.22	HOSE 1"BSP STXST S.SEAL 1200	1
V	10.011.27	HOSE 1"BSP ST/ST X 1700 S.SEAL	1
W	10.011.27	HOSE 1"BSP ST/ST X 1700 S.SEAL	1
X	10.025.21	HOSE 1"BSP STX135 S.SEAL 1100	1
Y	10.025.22	HOSE 1"BSP STX135 S.SEAL 1200	1
Z	10.002.26	HOSE 1/4"BSP STX90 S.SEAL 1600	1

- REFER TO DIAGRAM ON PAGE 17 – 1

Item	Part No.	Description	Qty.
46140.24/25 HOSE KIT LH/RH			
A	10.011.26▼	HOSE 1" BSP – STXST - 1600.	1
A	10.011.22▲	HOSE 1" BSP – STXST - 1200.	1
B	10.011.26▼	HOSE 1" BSP – STXST - 1600.	1
B	10.011.22▲	HOSE 1" BSP – STXST - 1200.	1
C	10.025.20▼	HOSE 1" BSP – STX135 - 1000	1
C	10.025.21▲	HOSE 1" BSP – STX135 - 1100	1
D	10.025.21▼	HOSE 1" BSP – STX135 - 1100	1
D	10.025.22▲	HOSE 1" BSP – STX135 - 1200	1
E	10.012.64	HOSE 1" BSP – STX90 - 5400	1
F	10.012.64	HOSE 1" BSP – STX90 - 5400	1
G	10.011.27	HOSE 1" BSP – STXST - 1700	1
H	10.011.27	HOSE 1" BSP – STXST - 17000	1
I	10.012.09▼	HOSE 1" BSP – STX90 - 450	1
I	10.012.10▲	HOSE 1" BSP – STX90 - 500	1
J	10.024.04	HOSE 1-1/2" BSP – F/SX90 - 600	1
K	10.012.11	HOSE 1" BSP – STX90 - 550	1
L	10.022.38	HOSE 1" BSP – STX90 - 650	1
M	10.012.17	HOSE 1" BSP – STX90 - 850	1
N	10.002.10	HOSE 1/4" BSP – STX90 - 500	1
O	10.003.10	HOSE 3/8" BSP – STXST - 500	1
P	10.001.26	HOSE 1/4" BSP – STXST - 1600	1
Q	10.001.26	HOSE 1/4" BSP – STXST - 1600	1
R	10.001.88	HOSE 1/4" BSP – STXST - 7800	1
S	10.001.88	HOSE 1/4" BSP – STXST - 7800	1
T	10.001.70	HOSE 1/4" BSP – STXST - 6000	1
U	10.006.21	HOSE 1/2" BSP – STX90 - 1100	1
V	10.001.70	HOSE 1/4" BSP – STXST - 6000	1
X	10.001.42	HOSE 1/4" BSP – STXST - 3200	1
Y	10.001.42	HOSE 1/4" BSP – STXST - 3200	1
Z	10.003.53	HOSE 3/8" BSP – STXST - 4300	1
AA	10.003.53	HOSE 3/8" BSP – STXST - 4300	1
BB	10,004,25	HOSE 3/8" BSP – STX90 - 1500	1

▼ LH MACHINES

▲ RH MACHINES

43234.22	HOSE SLEEVE (350) TYPE 800MM	1
43234.42	HOSE SLEEVE 950 TYPE C 350	1
43234.44	HOSE SLEEVE 1300 TYPE C 350	1
43542.03▲	HOSE SLEEVE (350) X 1100	1
43542.05▼	HOSE SLEEVE (350) X 1500	1
43542.06▲	HOSE SLEEVE (350) X 1700	2
43543.06	HOSE SLEEVE (170) X 500	1
43543.09	HOSE SLEEVE (170) X 1500	1
7106187	NYLON STRAP HOSE	3

- REFER TO DIAGRAM ON PAGE 17 – 1

Item	Part No.	Description	Qty.
46140.20/22 HOSE KIT LH/RH			
A	10.011.26▼	HOSE 1"BSP – STXST - 1600.	1
A	10.011.22▲	HOSE 1"BSP – STXST - 1200.	1
B	10.011.26▼	HOSE 1"BSP – STXST - 1600.	1
B	10.011.22▲	HOSE 1"BSP – STXST - 1200.	1
C	10.025.20▼	HOSE 1"BSP – STX135 - 1000	1
C	10.025.21▲	HOSE 1"BSP – STX135 - 1100	1
D	10.025.21▼	HOSE 1"BSP – STX135 - 1100	1
D	10.025.22▲	HOSE 1"BSP – STX135 - 1200	1
E	10.012.70	HOSE 1"BSP – STX90 - 6000	1
F	10.012.70	HOSE 1"BSP – STX90 - 6000	1
G	10.011.27	HOSE 1"BSP – STXST - 1700	1
H	10.011.27	HOSE 1"BSP – STXST - 17000	1
I	10.012.09▼	HOSE 1"BSP – STX90 - 450	1
I	10.012.10▲	HOSE 1"BSP – STX90 - 500	1
J	10.024.04	HOSE 1-1/2"BSP – F/SX90 - 600	1
K	10.012.11	HOSE 1"BSP – STX90 - 550	1
L	10.022.38	HOSE 1"BSP – STX90 - 650	1
M	10.012.17	HOSE 1"BSP – STX90 - 850	1
N	10.002.10	HOSE 1/4"BSP – STX90 - 500	1
O	10.003.10	HOSE 3/8"BSP – STXST - 500	1
P	10.001.26	HOSE 1/4"BSP – STXST - 1600	1
Q	10.001.26	HOSE 1/4"BSP – STXST - 1600	1
R	10.001.94	HOSE 1/4"BSP – STXST - 8400	1
S	10.001.94	HOSE 1/4"BSP – STXST - 8400	1
T	10.001.73	HOSE 1/4"BSP – STXST - 6300	1
U	10.006.21	HOSE 1/2"BSP – STX90 - 1100	1
V	10.001.73	HOSE 1/4"BSP – STXST - 6300	1
X	10.001.45	HOSE 1/4"BSP – STXST - 3500	1
Y	10.001.45	HOSE 1/4"BSP – STXST - 3500	1
Z	10.003.53	HOSE 3/8"BSP – STXST - 4300	1
AA	10.003.53	HOSE 3/8"BSP – STXST - 4300	1
BB	10,004,25	HOSE 3/8"BSP – STX90 - 1500	1

▼ LH MACHINES

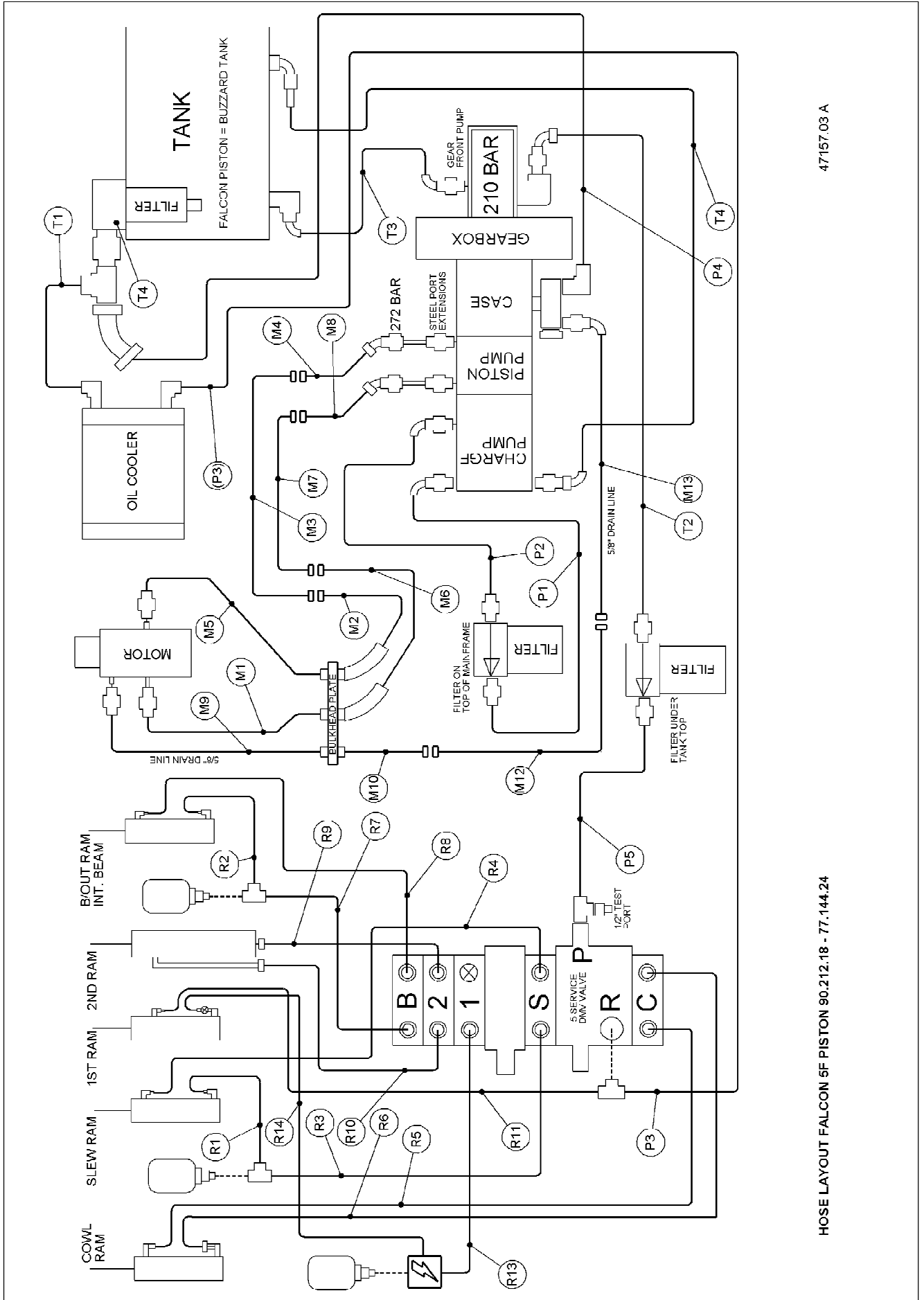
▲ RH MACHINES

43234.22	HOSE SLEEVE (350) TYPE 800MM	1
43234.42	HOSE SLEEVE 950 TYPE C 350	1
43234.44	HOSE SLEEVE 1300 TYPE C 350	1
43542.03▲	HOSE SLEEVE (350) X 1100	1
43542.05▼	HOSE SLEEVE (350) X 1500	1
43542.06▲	HOSE SLEEVE (350) X 1700	2
43543.06	HOSE SLEEVE (170) X 500	1
43543.09	HOSE SLEEVE (170) X 1500	1
7106187	NYLON STRAP HOSE	3

- REFER TO DIAGRAM ON PAGE 17 – 1

Item	Part No.	Description	Qty.
46140.31 HOSE KIT FOR 90.213.07			
A	10.012.62	HOSE 1"BSP STX90 S.SEAL 5200	1
B	10.012.62	HOSE 1"BSP STX90 S.SEAL 5200	1
C	10.001.86	HOSE 1/4"BSP STXST S.SEAL 7600	1
D	10.001.86	HOSE 1/4"BSP STXST S.SEAL 7600	1
E	10.001.45	HOSE 1/4"BSP STXST S.SEAL 3500	1
F	10.001.45	HOSE 1/4"BSP STXST S.SEAL 3500	1
G	10.003.53	HOSE 3/8"BSP STXST S. SEAL4300	1
H	10.003.53	HOSE 3/8"BSP STXST S. SEAL4300	1
J	10.001.26	HOSE 1/4"BSP STXST S.SEAL 1600	1
K	10.002.10	HOSE 1/4"BSP STX90 S.SEAL 500	1
L	10.024.04	HOSE 1.5"BSP F/Sx90 FLANGE 600	1
M	10.012.09	HOSE 1"BSP STX90 S.SEAL 450	1
N	10.004.20	HOSE 3/8"BSP STX90 S.SEAL 1000	1
O	10.022.38	HOSE 1"BSP STX90 FLANGE 650	1
P	10.012.11	HOSE 1"BSP STX90 S.SEAL 550	1
Q	10.006.21	HOSE 1/2"BSP STX90 S.SEAL 1100	1
R	10.012.17	HOSE 1"BSP STX09 S.SEAL 850	1
S	10.011.26	HOSE 1"BSP STXST S.SEAL 1600	1
T	10.011.26	HOSE 1"BSP STXST S.SEAL 1600	1
V	10.011.27	HOSE 1"BSP ST/ST X 1700 S.SEAL	1
W	10.011.27	HOSE 1"BSP ST/ST X 1700 S.SEAL	1
X	10.025.21	HOSE 1"BSP STX135 S.SEAL 1100	1
Y	10.025.20	HOSE 1"BSP STX135 S.SEAL 1000	1
Z	10.001.26	HOSE 1/4"BSP STXST S.SEAL 1600	1
CA	10.001.64	HOSE 1/4"BSP STXST S.SEAL 5400	1
CB	10.001.64	HOSE 1/4"BSP STXST S.SEAL 5400	1
BB	10.004.10	HOSE 3/8"BSP STX90 S.SEAL 500	1

- REFER TO DIAGRAM ON PAGE 17 – 1



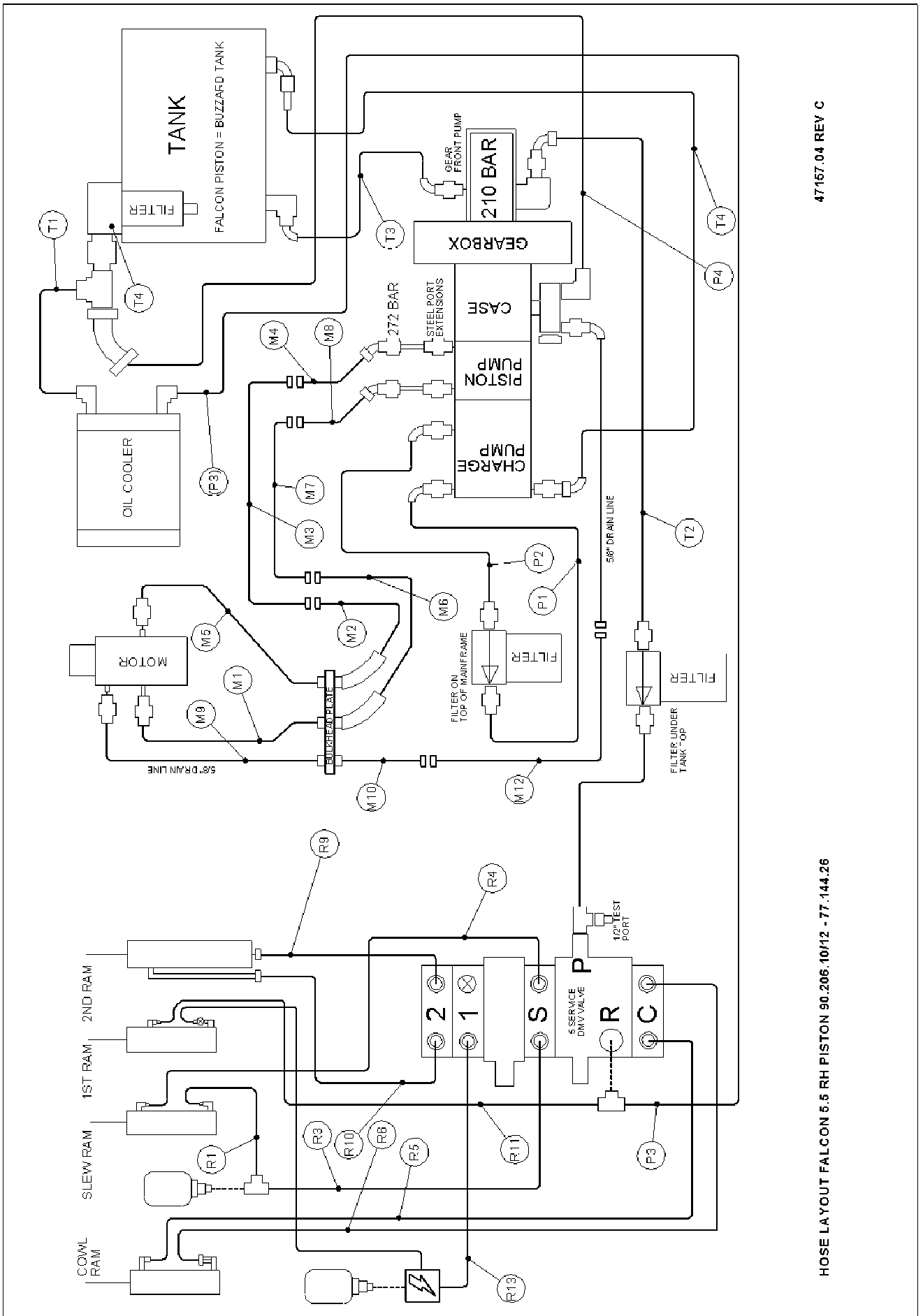
47157.03 A

HOSE LAYOUT FALCON 5F PISTON 90.212.18 - 77.144.24

HOSE KIT 47157.03 FOR FALCON 5F PISTON RH

HOSE	SIZE	LENGTH	PART NUMBER
T1	1/2"	1000	10.006.20
T2	1/2"	1000	10.006.20
T3	1"	550	10.011.11
T4	1"	600	10.012.11
P1	1/2"	800	10.006.16
P2	1/2"	800	10.006.16
M1	1"	1200	41348.22
M2	1"	1200	41350.22
M3	1"	6000	41349.70
M4	1"	1700	41348.32
M5	1"	1200	41348.22
M6	1"	1100	41350.21
M7	1"	6000	41349.70
M8	1"	2200	41349.32
M9	5/8"	1200	10.007.22
M10	5/8"	1200	10.007.22
P3	1/2"	1100	10.006.21
M12	5/8"	4200	10.007.52
P4	1"	1400	10.025.24
M13	5/8"	3600	10.008.46
P5	1/2"	1000	10.006.20

HOSE	SIZE	LENGTH	PART NUMBER
R1	1/4"	500	10.002.10
R2	3/8"	500	10.003.10
R3	1/4"	1600	10.001.26
R4	1/4"	1600	10.001.26
R5	1/4"	7800	10.001.94
R6	1/4"	7800	10.001.94
R7	1/4"	6000	10.001.73
R8	1/4"	6000	10.001.73
R9	1/4"	3200	10.001.45
R10	1/4"	3200	10.001.45
R11	3/8"	4300	10.003.53
R12	3/8"	4300	10.003.53
R13	3/8"	2400	10.004.34
R14	3/8"	2500	10.004.35



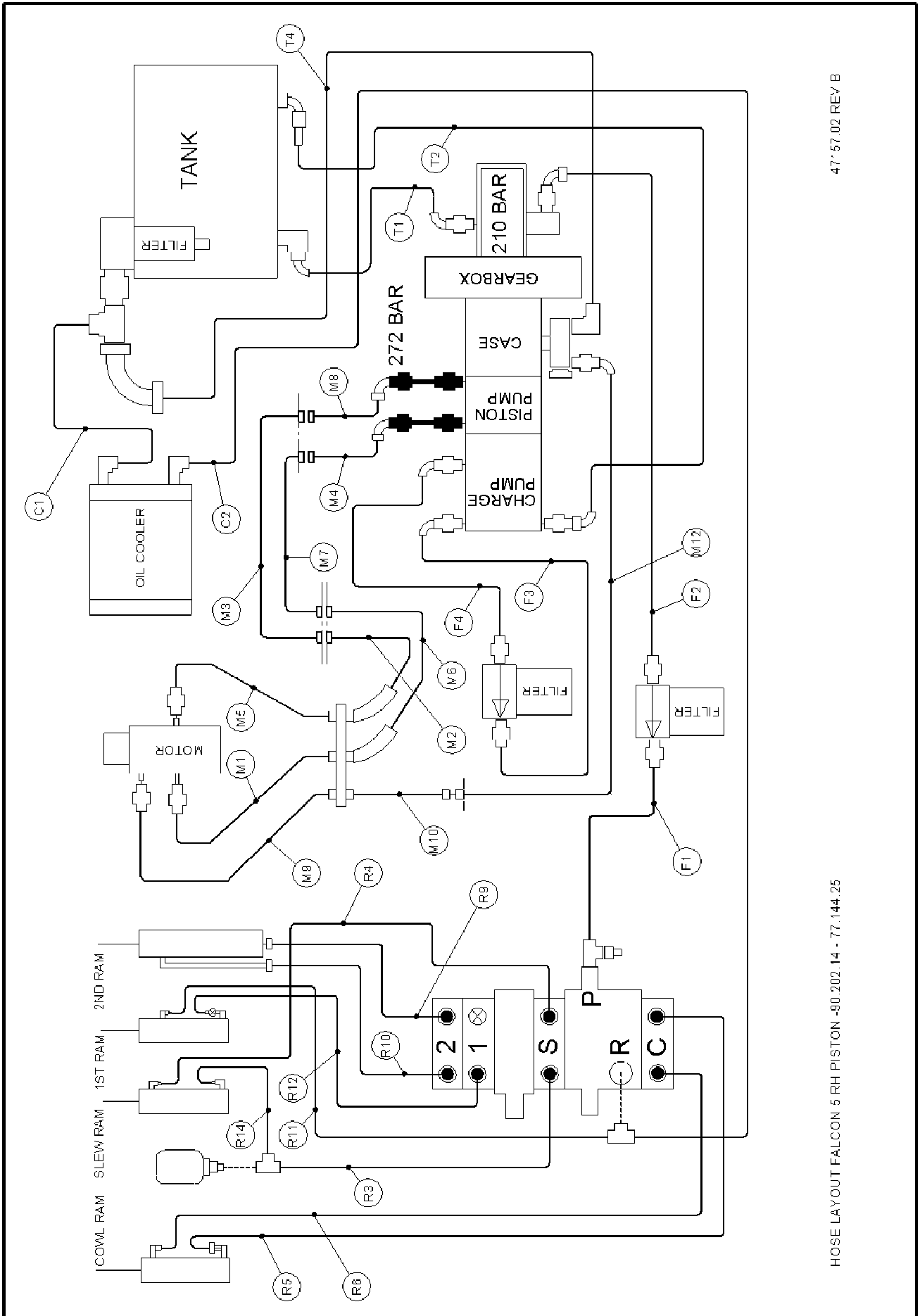
47157.04 REV C

HOSE LAYOUT FALCON 5.5 RH PISTON 90.206.10/12 - 77.144.26

HOSE KIT FOR FALCON 5.5 RH PISTON - 90.206.10/12 - 77.144.26 - 47157.04

HOSE	SIZE	LENGTH	PART NUMBER
T1	1/2"	1000	10.006.20
T2	1/2"	1000	10.006.20
T3	1"	550	10.011.11
T4	1"	600	10.012.11
P1	1/2"	800	10.006.16
P2	1/2"	800	10.006.16
M1	1"	1200	41348.22
M2	1"	1200	41350.22
M3	1"	4300	41348.53
M4	1"	2200	41350.32
M5	1"	1200	41348.22
M6	1"	1100	41350.21
M7	1"	4300	41348.53
M8	1"	2200	41350.32
M9	5/8"	1200	10.007.22
M10	5/8"	1200	10.007.22
P3	1/2"	1100	10.006.21
M12	5/8"	6800	10.006.74
P4	1"	1400	10.025.24

HOSE	SIZE	LENGTH	PART NUMBER
R1	1/4"	500	10.002.10
R3	1/4"	1600	10.001.26
R4	1/4"	1600	10.001.26
R5	1/4"	6600	10.001.78
R6	1/4"	6600	10.001.78
R8	1/4"	3200	10.001.45
R10	1/4"	3200	10.001.45
R11	3/8"	4300	10.003.53
R12	3/8"	4300	10.003.53
R13	3/8"	1600	10.004.26



47'57.02 REV B

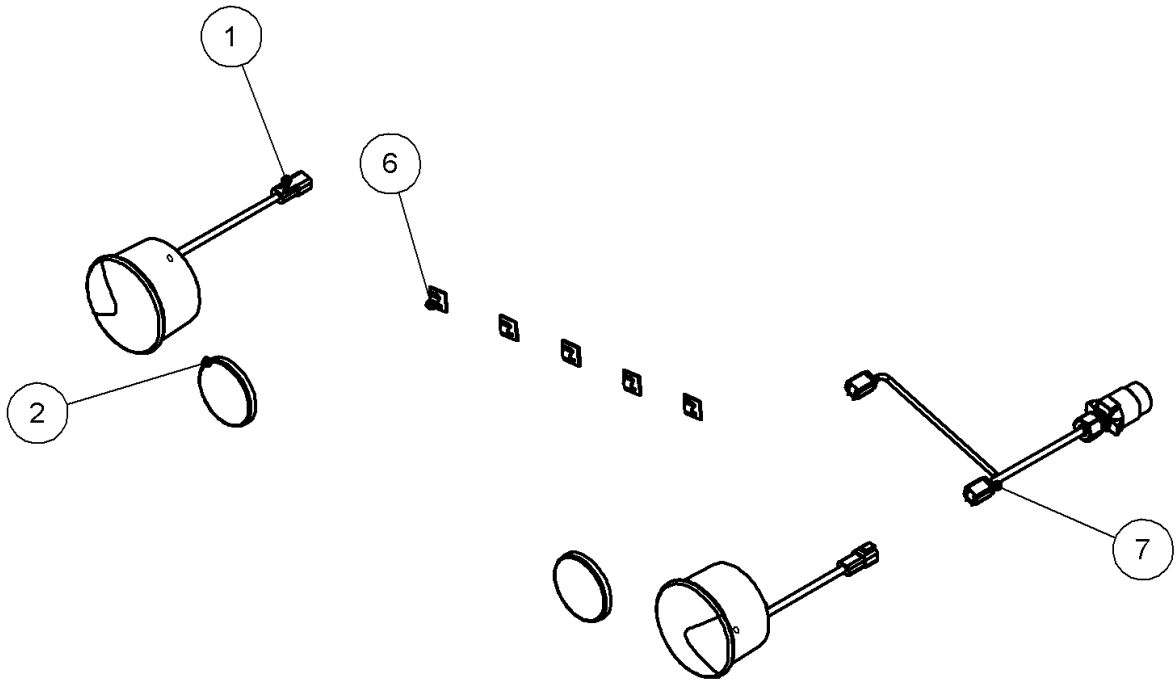
HOSE LAYOUT FALCON 5 RH PISTON -90.202.14 - 77.144.25

HOSE KIT FALCON 5 RH PISTON - 90.202.14 - 77.144.25 - 47157.02

HOSE	SIZE	LENGTH	PART NUMBER
T1	1"	500	10.0012.10
T2	1"	550	10.0012.11
T3	1"	900	10.0011.18
M1	1"	1200	41348.22
M2	1"	1100	41350.21
M3	1"	3900	41349.49
M4	1"	1900	41349.29
M5	1"	1200	41348.22
M6	1"	1600	41350.26
M7	1"	3900	41349.49
M8	1"	1900	41349.29
M9	5/8"	1200	10.0007.22
M10	5/8"	3600	10.0008.46
M12	5/8"	3900	10.0008.49
R3	1/4"	1600	10.0012.26

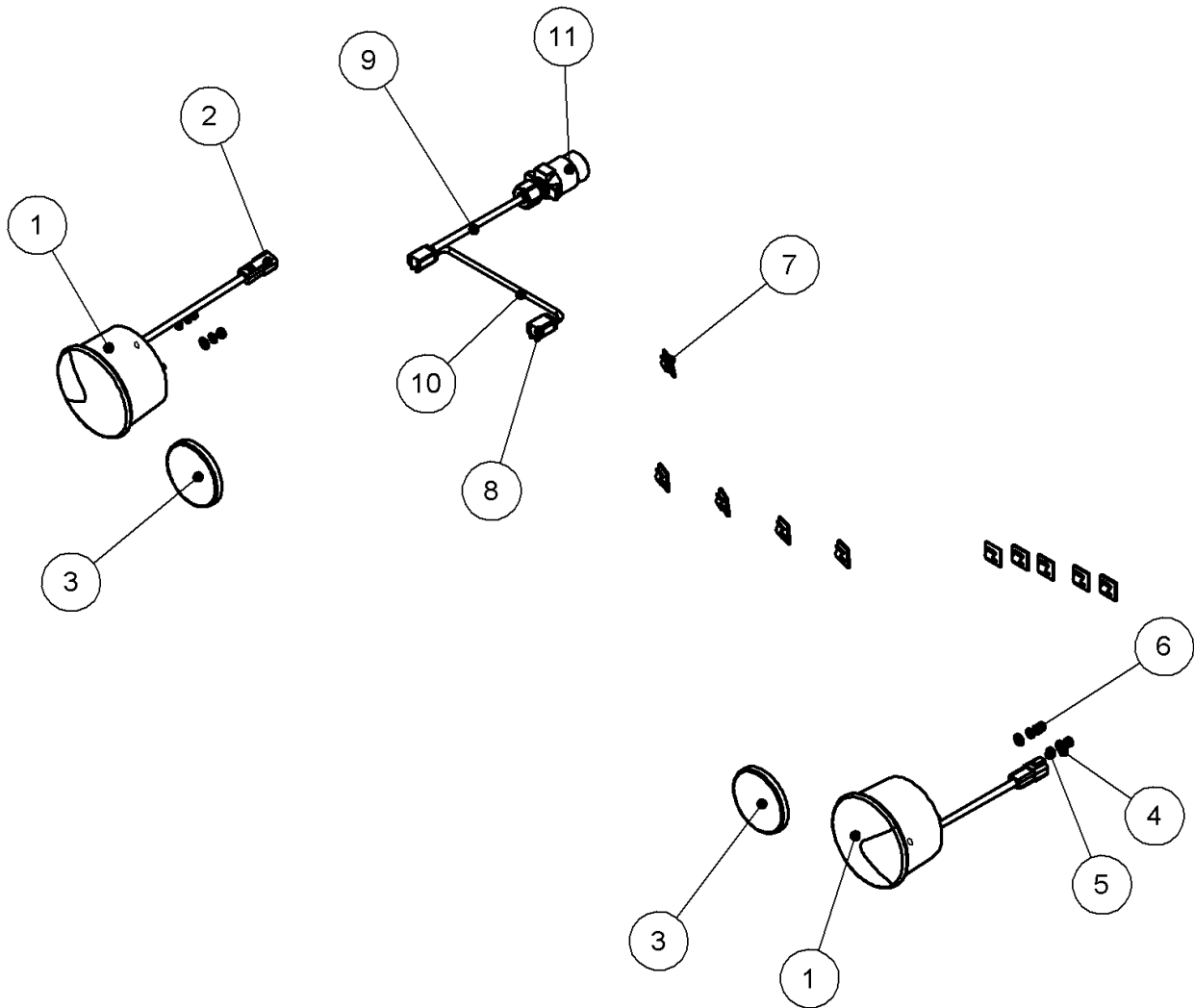
HOSE	SIZE	LENGTH	PART NUMBER
R4	1/4"	1600	10.0012.26
R5	1/4"	6200	10.0017.72
R6	1/4"	6200	10.0017.72
R9	1/4"	3500	10.0014.45
R10	1/4"	3200	10.0014.42
R11	3/8"	4300	10.0003.53
R12	3/8"	4300	10.0003.53
R14	1/4"	500	10.0002.10
F1	1/2"	1400	10.0006.24
F2	1/2"	800	10.0006.16
F3	1/2"	800	10.0006.16
F4	1/2"	800	10.0006.16
C1	1/2"	800	10.0006.16
C2	1/2"	1400	10.0006.24

LIGHTING KIT - FALCON - 77.134.01



ITEM NO.	PART NUMBER	DESCRIPTION	QTY.
1	45326.01	INDICATOR LIGHT ASSY	2
2	45661.03	REFLECTOR SELF ADHESIVE	2
3	05.281.10	FLAT WASHER M6	4
4	05.282.07	SPRING WASHER M6	4
5	05.286.10	NUT M6	4
6	43357.01	CLIP (SELF ADHESIVE PAD)	10
7	45594.03	WIRING LOOM - LH FALCON	1

LIGHT KIT RH 77.134.02



LIGHTING KIT COMPLETE - PART NO 45662.04

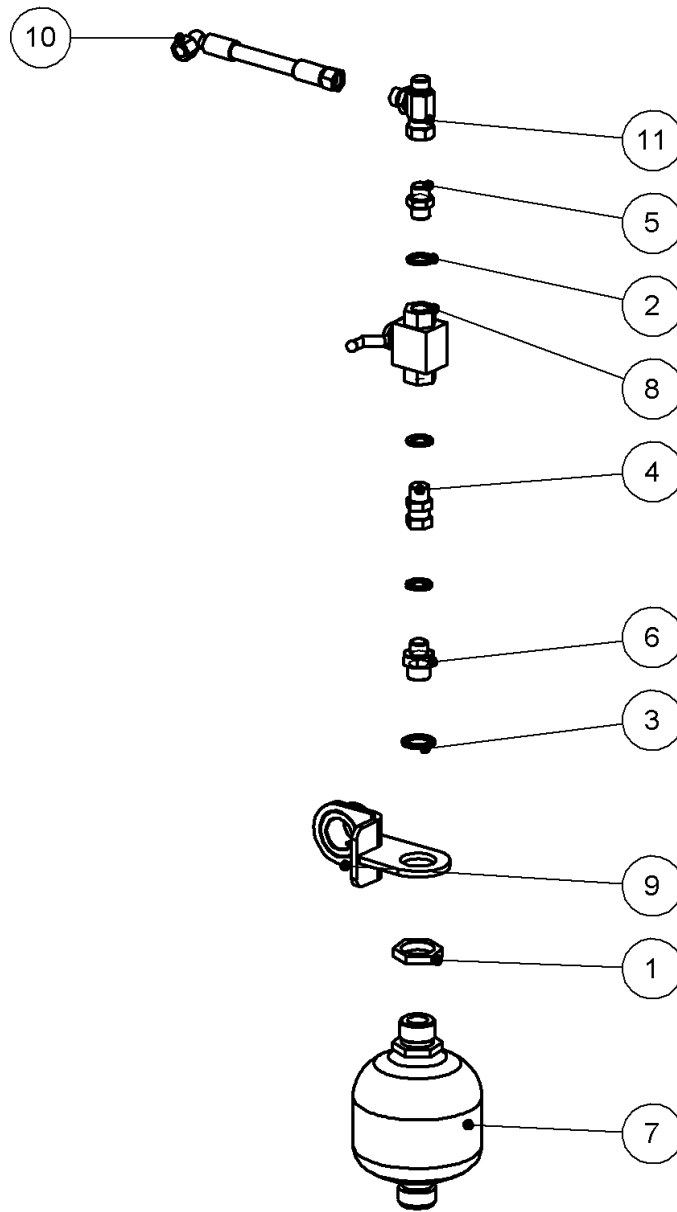
ITEM NO.	PART NUMBER	DESCRIPTION	QTY.
1	45326.31	INDICATOR/BRAKE LIGHT	2
2	45326.32	DEUTSCH CONNECTOR DT04-4P	2
3	45661.03	REFLECTOR SELF ADHESIVE	2
4	05.281.10	FLAT WASHER M6	4
5	05.282.07	SPRING WASHER M6	4
6	05.286.10	NUT M6	4
7	43357.01	CLIP (SELF ADHESIVE PAD)	10
8	45594.31	DEUTSCH DT06-4S	2
9	45594.32	7 CORE CABLE	1
10	45594.34	7 CORE CABLE - 800MM	1
11	7560089	7 PIN PLUG	1

DECALS - ENGINEERING - 77.138.01

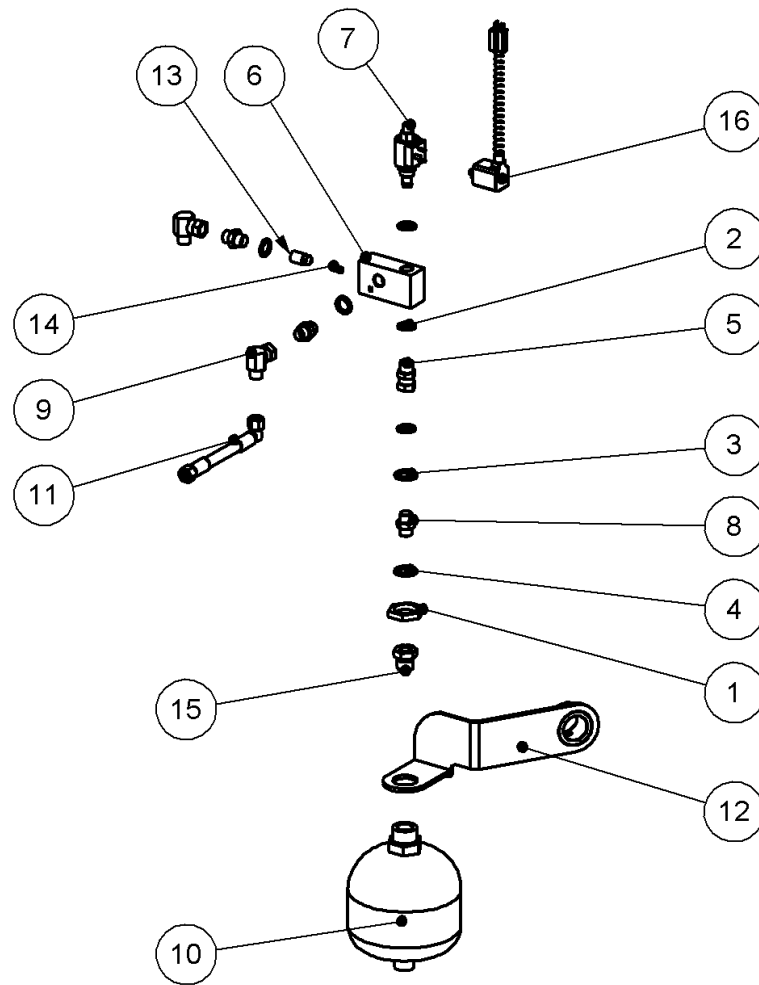
ITEM NO.	PART NUMBER	DESCRIPTION	QTY.
1	08.832.01	DECAL - TRANSPORT	1
2	09.811.04	DECAL - 540 MAX ACW	1
3	09.821.28	DECALS - EURO DECAL MINIATURISED	1
4	09.821.32	DECALS - EURO DECAL MINIATURISED	1
5	09.821.33	DECALS - EURO DECAL MINIATURISED	1
6	09.821.34	09.821.34	1
7	09.843.06	DECAL - LIFT POINT 1500 KG	1
8	09.845.01	DECAL - APPROVED OILS	1
9	09.846.02	DECAL - OIL FILTER CHANGE	1
10	46.881.01	DECAL - LEG POSITION WHEN PARKED	1

77.137.01/02 DECALS MARKETING FALCON 5

21	45645.01	DECAL - BOMFORD (72MM FONT)	1
22	45645.02	DECAL - BOMFORD (50MM FONT)	1
23	46151.01	DECAL - FALCON 5(.5) PAR SMALL	1
24	46152.01	DECAL - FALCON 5(.5) PAR LARGE	1

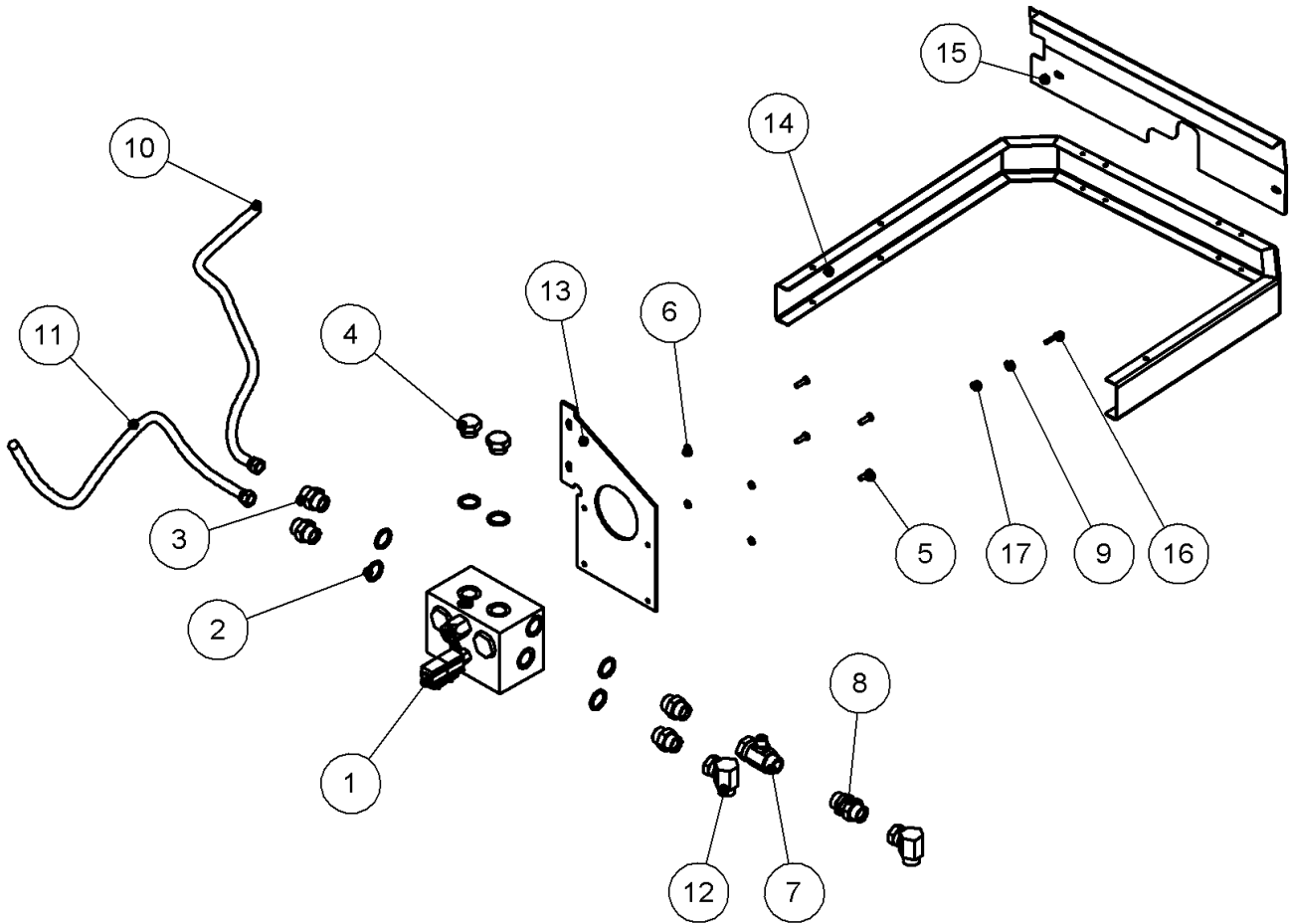


ITEM NO.	PART NUMBER	DESCRIPTION	QTY.
1	8126035	NUT	1
2	05.290.04	BONDED SEAL 3/8" BSP	3
3	05.290.05	BONDED SEAL 1/2" BSP	1
4	02.714.01	ADAPTOR - SWIVEL	1
5	05.124.01	ADAPTOR 3/8"BSPx3/8"BSP	2
6	05.123.01	ADAPTOR 3/8"BSPx1/2"BSP	1
7	41451.02	ACCUMULATOR - 0.7LT (30 BAR)	1
8	08.200.01	VALVE - ISOLATING	1
9	46318.01	BRACKET - ACCUMLATOR	1
10	10.004.21	1/4"BSP FS/F90 400	1
11	11.068.69	ADAPTOR TEE 3/8BSP MFM	1



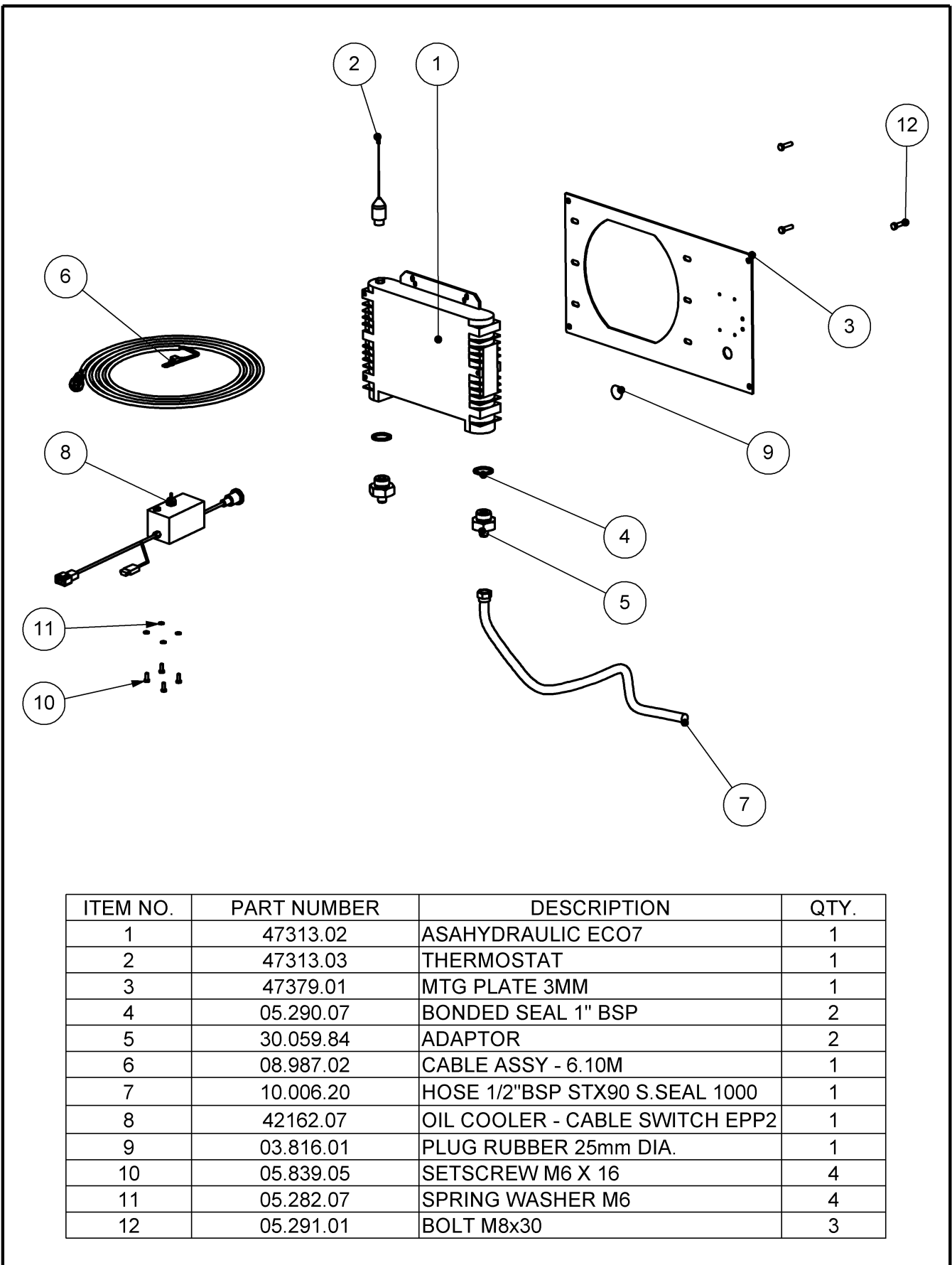
ITEM NO.	PART NUMBER	DESCRIPTION	QTY.
1	8126035	NUT	1
2	05.290.04	BONDED SEAL 3/8" BSP	5
3	05.290.05	BONDED SEAL 1/2" BSP	1
4	05.290.00	BONDED SEAL 1/2" BSP	1
5	02.714.01	ADAPTOR - SWIVEL	1
6	8126287	LIFT FLOAT VALVE BLOCK	1
7	8130183	VALVE POPPET NC SIZE 8	1
8	05.124.01	ADAPTOR 3/8"BSPx3/8"BSP	4
9	05.835.01	90 ADAPTOR M/F SWIVEL	2
10	41715.03	ACCUMULAR 1.4LT 30 BAR	1
11	10.004.21	1/4"BSP FS/F90 400	1
12	48002.01	BRACKET ACCUMULATOR LH	1
13	8126037	RESPONSE PISTON	1
14	8116011	SPRING OD.275x5/8"LG	1
15	8581284	ADAPTOR - M22X3/8BSP MF	1
16	45720.01	LOOM EXTENSION - HEAD FLOAT	1
17	1290061	OPERATION DECAL	1

ELECTRIC DSR ASSY - 77.188.01



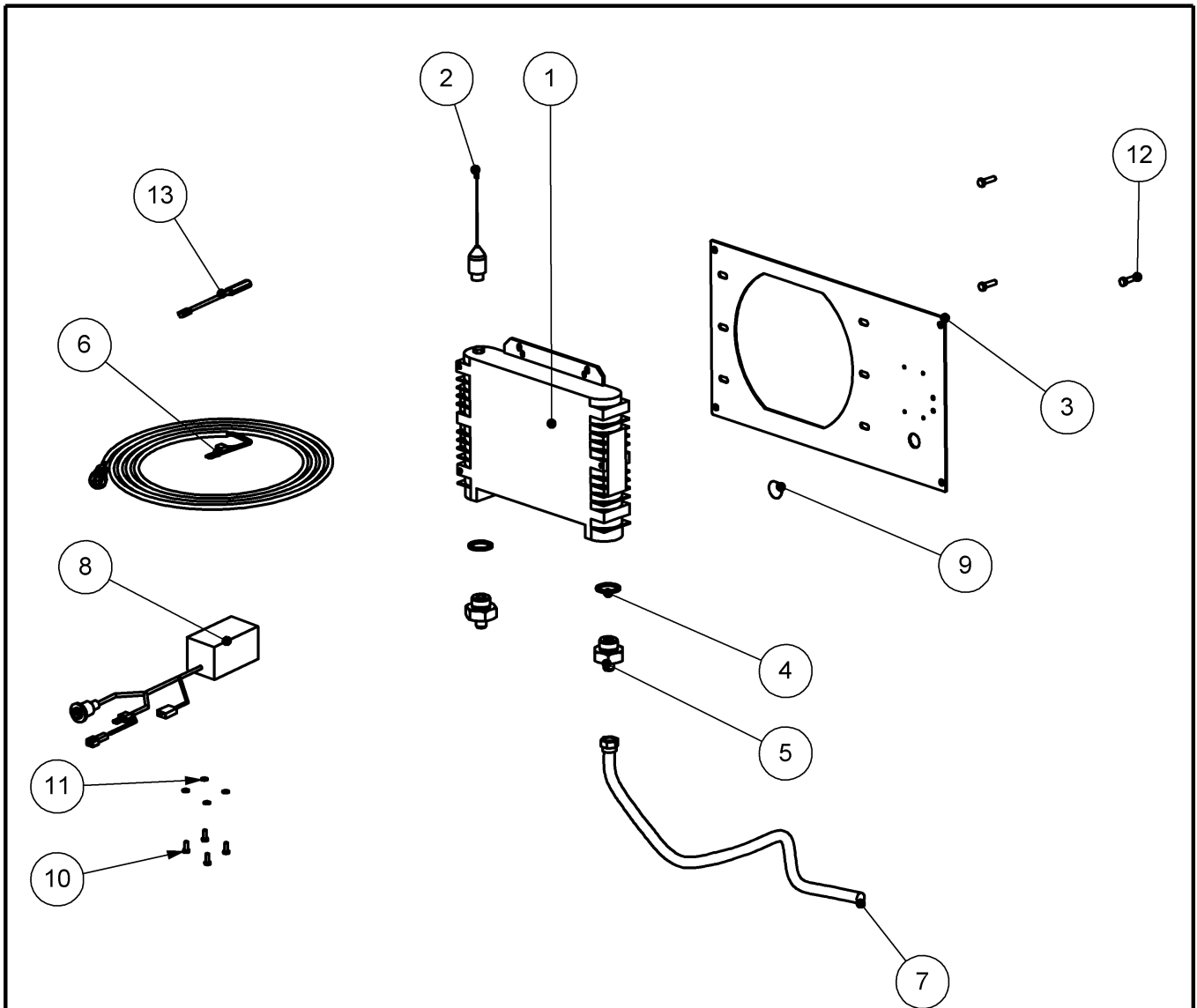
ITEM NO.	PART NUMBER	DESCRIPTION	QTY.
1	42768.01	VALVE RCV ELECTRIC	1
2	05.290.07	BONDED SEAL 1" BSP	6
3	05.434.01	ADAPTOR 1"BSPx1"BSP	6
4	05.433.03	PLUG 1" BSP	2
5	05.264.02	SETSCREW M8x25	4
6	05.282.01	SPRING WASHER M8	4
7	04.056.34	TEE ADAPTOR FMM	1
8	08.128.03	BULKHEAD FITTING 1" BSP	1
9	05.281.10	FLAT WASHER M6	12
10	10.012.13	HOSE 1"BSP STX90 S.SEAL 650	1
11	05.835.05	HOSE 1" BSP ST/ST S.SEAL 600	1
12	05.835.02	90 ADAPTOR M/F SWIVEL	2
13	46257.01	BRACKET - DSR VALVE	1
14	46388.01	PLATE - TANK EXTN	1
15	46389.01	PLATE - EXTENSION LH	1
16	30.068.85	M6 BOLTS	6
17	30.070.64	NUT NYLOC M6 Z/P	6

OIL COOLER ASSY EPP2 ONLY - 77.146.12



ITEM NO.	PART NUMBER	DESCRIPTION	QTY.
1	47313.02	ASAHYDRAULIC ECO7	1
2	47313.03	THERMOSTAT	1
3	47379.01	MTG PLATE 3MM	1
4	05.290.07	BONDED SEAL 1" BSP	2
5	30.059.84	ADAPTOR	2
6	08.987.02	CABLE ASSY - 6.10M	1
7	10.006.20	HOSE 1/2"BSP STX90 S.SEAL 1000	1
8	42162.07	OIL COOLER - CABLE SWITCH EPP2	1
9	03.816.01	PLUG RUBBER 25mm DIA.	1
10	05.839.05	SETSCREW M6 X 16	4
11	05.282.07	SPRING WASHER M6	4
12	05.291.01	BOLT M8x30	3

OIL COOLER ASSY DCU ICS ONLY - 77.146.13



ITEM NO.	PART NUMBER	DESCRIPTION	QTY.
1	47313.02	ASAHYDRAULIC ECO7	1
2	47313.03	THERMOSTAT	1
3	47379.01	MTG PLATE 3MM	1
4	05.290.07	BONDED SEAL 1" BSP	2
5	30.059.84	ADAPTOR	2
6	08.987.02	CABLE ASSY - 6.10M	1
7	10.006.20	HOSE 1/2"BSP STX90 S.SEAL 1000	1
8	46138.02	OIL COOLER - CABLE LOOM ASSY ICS	1
9	03.816.01	PLUG RUBBER 25mm DIA.	1
10	05.839.05	SETSCREW M6 X 16	4
11	05.282.07	SPRING WASHER M6	4
12	05.291.01	BOLT M8x30	3
13	46650.01	CABLE	1