

PM 1873

FALCON
6TP

ARM MOWER
PARTS MANUAL
ISSUE 3

IMPORTANT

NOTE HERE THE SERIAL NUMBER OF YOUR MACHINE AND ALWAYS QUOTE IT IN ANY COMMUNICATION WITH US OR YOUR DEALER. THIS IS PARTICULARLY IMPORTANT WHEN ORDERING SPARES. REMEMBER TO INCLUDE ALL NUMBERS AND LETTERS.

MACHINE SERIAL NUMBERS _____

THE INFORMATION GIVEN THROUGHOUT THIS MANUAL IS CORRECT AT THE TIME OF PUBLICATION. HOWEVER, IN THE COURSE OF CONSTANT DEVELOPMENT OF BOMFORD TURNER MACHINES, CHANGES IN SPECIFICATION ARE INEVITABLE. SHOULD YOU FIND THE INFORMATION GIVEN IN THIS BOOK TO BE AT VARIANCE WITH THE MACHINE IN YOUR POSSESSION, YOU ARE ADVISED TO CONTACT THE BOMFORD TURNER SERVICE DEPARTMENT WHERE UP-TO-DATE INFORMATION WILL BE PROVIDED.

THE MANUAL CAN CONTAIN STANDARD AND OPTIONAL FEATURES AND IS NOT TO BE USED AS A MACHINE SPECIFICATION.

THE MACHINE HAS BEEN TESTED AND IS CONSIDERED SAFE IF CAREFULLY USED. ENSURE YOUR OPERATOR IS PROPERLY TRAINED IN ITS USE AND MAINTENANCE.

IMPORTANT

NOTEZ ICI LES NUMEROS DE SERIE DE VOTRE MACHINE ET MENTIONNEZ LES DANS TOUTE COMMUNICATION AVEC NOS SERVICES OU VOTRE REVENDEUR. CECI EST IMPORTANT POUR LA COMMANDE DE PIECES DETACHEES. PENSEZ A NOTER TOUS LES NUMEROS ET TOUTES LES LETTERS.

NUMEROS DE SERIE DE LA MACHINE _____

LES INFORMATIONS DONNEES DANS CE MANUEL SONT CORRECTES CEPENDANT, DU FAIT DE DEVELOPPEMENT CONSTANT DES MACHINES BOMFORD TURNER.

CHANGEMENTS DANS LES CARACTERISTIQUES SONT INEVITABLES.

SI VOUS TROUVEZ QUE LES INFORMATIONS DONNEES NE CORRESPONDENT PAS A VOTRE MACHINE VEUILLEZ CONTACTER LE SERVICE DES REPARATIONS OU DES INFORMATIONS PLUS RECENTES VOUS SERONT DONNEES.

CE MANUEL PEUT MONTRER DES CARACTERISTIQUES OPTIONNELLES ET NE PEUT PAS ETRE CONSIDERE COMME SPECIFICATION DE LA MACHINE.

CETTE MACHINE A ETE TESTEE, ET ELLE EST CONSIDEREE COMME FIABLE A CONDITION D'UNE BONNE UTILISATION. ASSUREZ-VOUS QUE VOTRE OPERATEUR EST QUALIFIE EN CE QUI CONCERNE L'UTILISATION DE LA MACHINE AINSI QUE SON ENTRETIEN.

WICHTIG

TRAGEN SIE HIER DIE SERIENNUMMERN IHRER MASCHINE EIN UND GEBEN SIE DIESE IMMER AN, WENN SIE SICH AN UNS ODER IHREN HÄNDLER WENDEN. DAS IST BESONDERS BEI ERSATZTEILBESTELLUNGEN WICHTIG. VERGESSEN SIE NICHT, ALLE ZAHLEN UND BUCHSTABEN ZU NOTIEREN.

SERIENNUMMERN DER MASCHINE _____

DIE ANGABEN INDIESEM HANDBUCH SIND BEI VERÖFFENTLICHUNG KORREKT. AUFGRUND DER KONSTANTEN WEITERENTWICKLUNG VON BOMFORD TURNER MASCHINEN SIND JEDOCHÄNDERUGDEN IN DER SPEZIFIKATION UNVERMEIDLICH. WENN DIE INFORMATION IN DIESEM HANDBUCH NICHT MIT IHRER MASCHINE ÜBEREINSTIMMEN, NEHMEN SIE BITTE KONTAKT MIT DER BOMFORD TURNER KUNDENDIENSTABTEILUNG AUF, DIE IHNEN GERNE DIE AKTUELLEN INFORMATION ZUKOMMEN LÄSST.

DAS HANDBUCH KANN SOWOHL BESCHREIBUNGEN FÜR DIE STANDARD AUSFÜHRUNG ALS AUCH FÜR ZUBEHÖR ENTHALTEN UND IST NICHT ALS MASCHINENSPEZIFIKATION ZU VERWENDET.

DIE MASCHINE IST GETESTET UND BEI SACHGEMÄSSEM BETRIEB ALS SICHER BEFUNDEN WORDEN. SORGEN SIE DAFÜR, DASS IHR BEDIENPERSONAL IN ANWENDUNG UND WARTUNG RICHTIG GESCHULT WIRD.

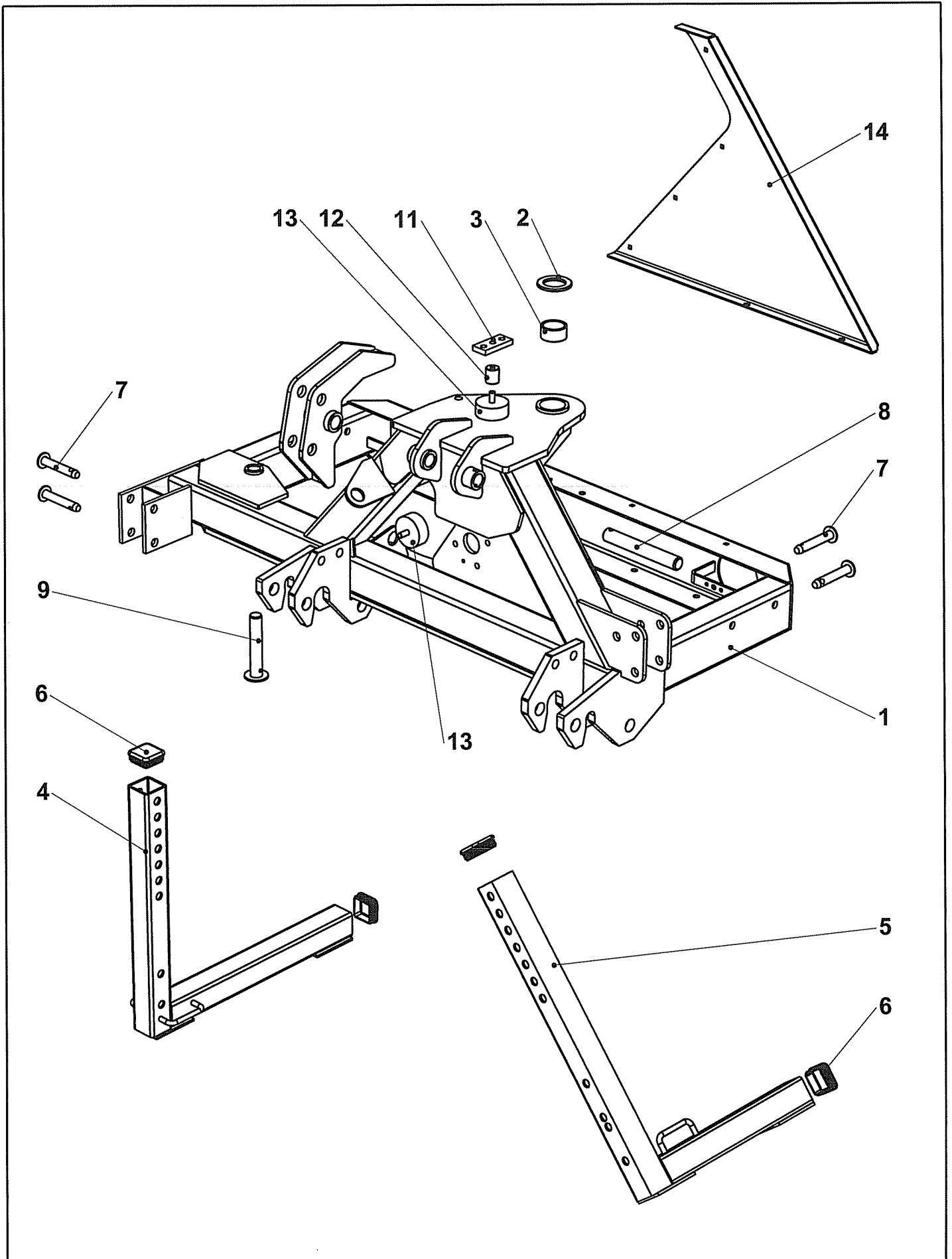
FALCON 6TP RANGE OF ARM MOWERS

PAGE ILLUSTRATION NUMBERS SHOWN ARE USED ONLY FOR REFERENCE PURPOSES AND SHOULD NOT BE USED FOR ORDERING SPARE PARTS. PLEASE ENSURE THE CORRECT PART NUMBER AND DESCRIPTION IS GIVEN WHEN ORDERING SPARE PARTS.

PAGE NO	DESCRIPTION
2 - 1 TO 2 - 2	MAINFRAME ASSEMBLY
3 - 1 TO 3 - 2	3 POINT LINKAGE MOUNTING OPTION
4 - 1 TO 4 - 2	AXLE MOUNTING OPTION
5 - 1 TO 5 - 2	OIL TANK ASSEMBLY
6 - 1 TO 6 - 2	KINGPOST & ROCKER ASSEMBLY
7 - 1 TO 7 - 6	ARM ASSEMBLIES
8 - 1 TO 8 - 2	COWL BRACKET AND LINKAGE
9 - 1 TO 9 - 4	GEARBOX & PUMP CIRCUITS Electric Diverter Valve Cable Diverter Valve
10 - 1 TO 10 - 6	VALVE, ELECTRIC
11 - 1 TO 11 - 2	VALVE, CABLE
12 - 1 TO 12 - 2	REMOTE CONTROL – DCU
13 – 1 TO 13 – 2	DCU – CAB MOUNTING
14 – 1 TO 14 – 2	REMOTE CONTROL – CABLE
15 – 1 TO 15 – 4	RAM CIRCUITS
16 – 1 TO 16 – 2	SLEW RAM AND ACCUMULATOR
17 – 1 TO 17 – 2	HOSE CIRCUITS
18 – 1 TO 18 – 2	ROAD LIGHTING ASSEMBLY
19 – 1 TO 19 – 2	TOOL BOX
20 – 1 TO 20 – 2	DECALS
<u>Options</u>	
21 – 1 TO 21 – 2	ARM FLOAT KIT
22 – 1 TO 22 – 2	ARMFLOAT KIT - ELECTRIC

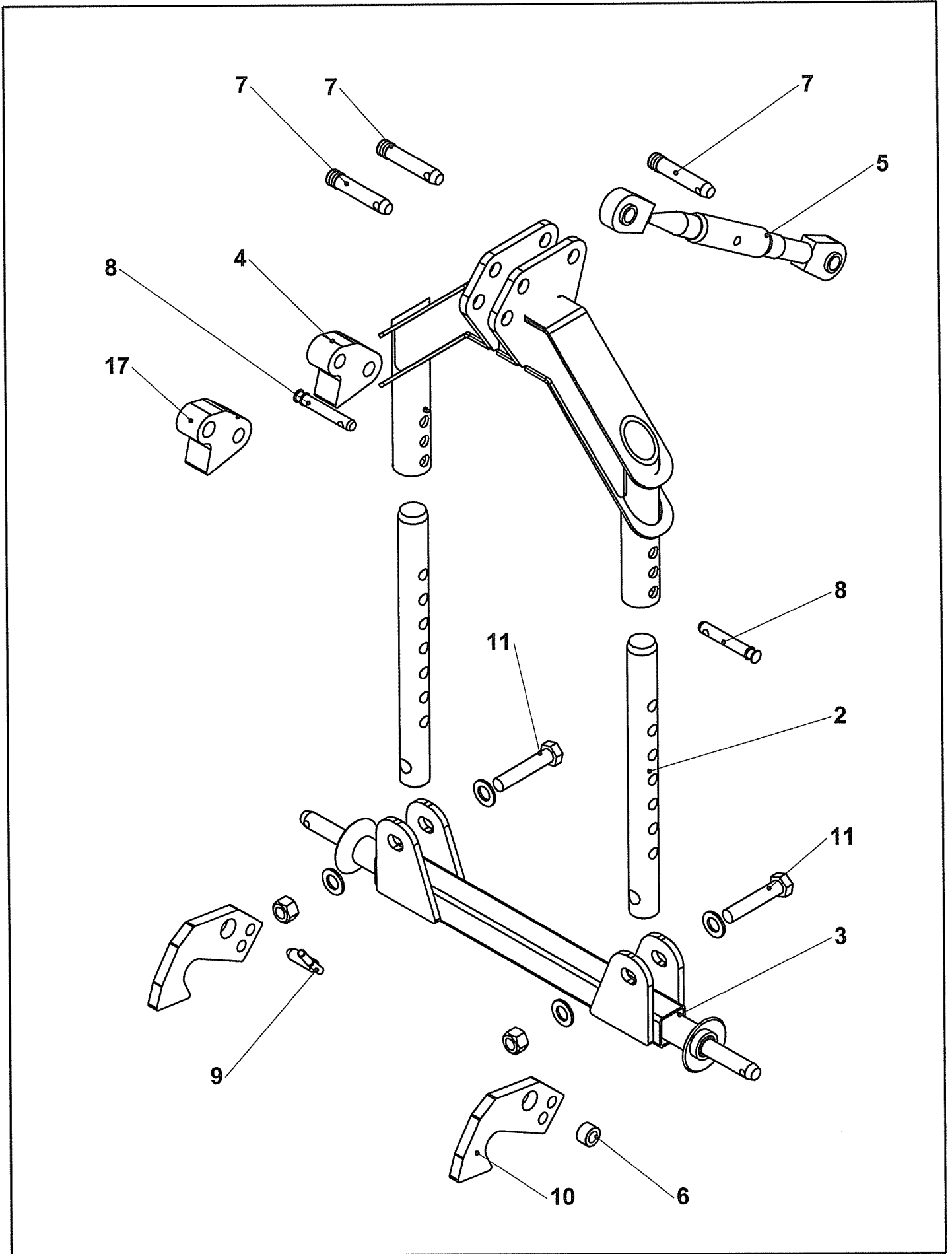
IMPORTANT

THIS MACHINE IS FOR VEGETATION CONTROL AND MUST NOT BE USED FOR ANY OTHER PURPOSE
IT IS POTENTIALLY HAZARDOUS TO FIT OR USE ANY PARTS OTHER THAN GENUINE BOMFORD TURNER PARTS
THE COMPANY DISCLAIMS ALL LIABILITY FOR THE CONSEQUENCES OF SUCH USE WHICH, IN ADDITION,
VOIDS THE MACHINE WARRANTY



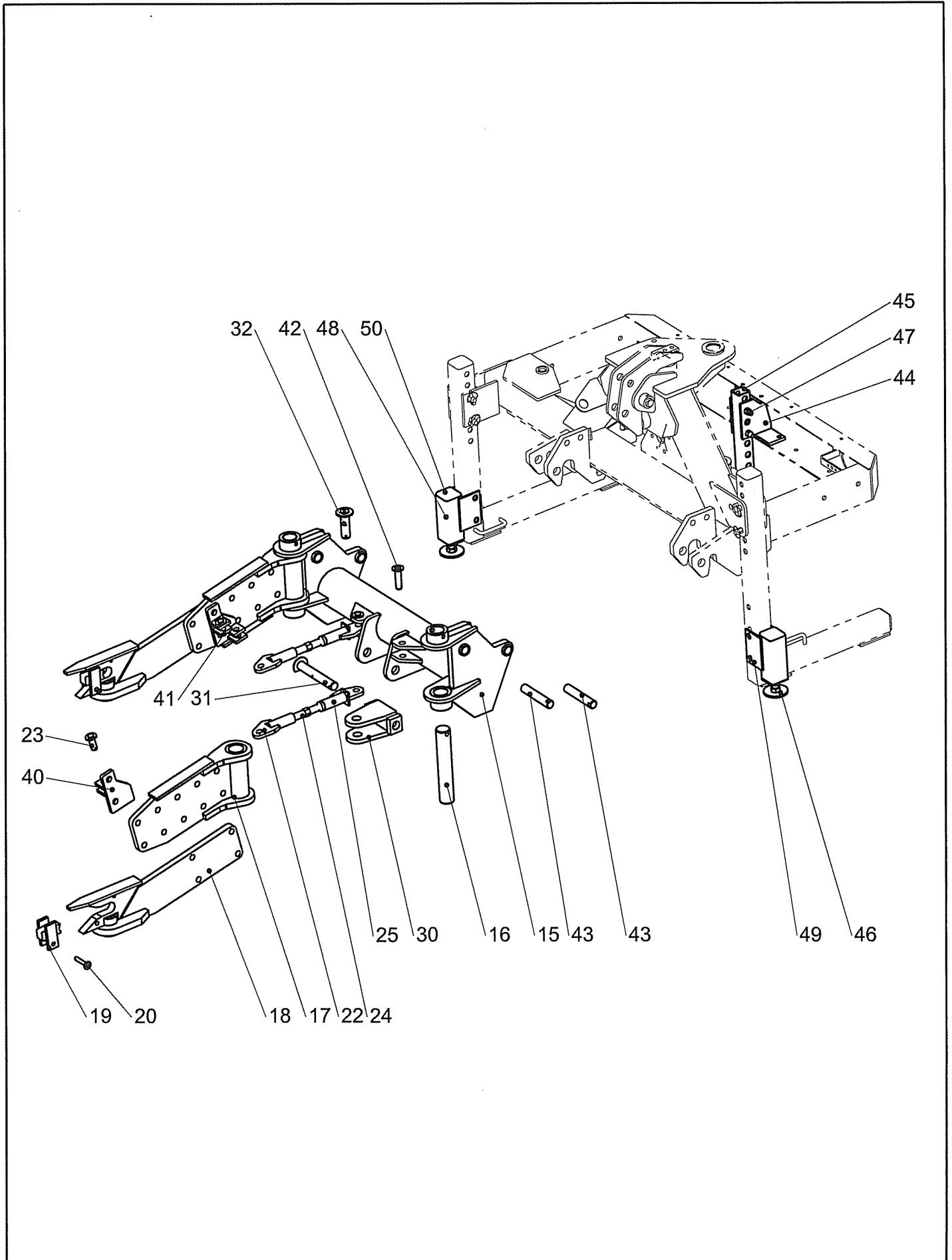
REF	PART NO.	DESCRIPTION	QTY
77.110.01/02 MAINFRAME ASSY LH/RH			
01	05.227.01	HAMMER DRIVE SCREW NO.6X3/8"	2
01	05.774.07	SERIAL NO. PLATE BOMFORDTURNER	1
01	05.953.03	GREASE NIPPLE M10	2
01*	45935.01	MAINFRAME LH	1
01	45935.02	MAINFRAME RH	1
02	09.918.01	THRUST WASHER - PLASTIC	2
03	08.297.13	BUSH PLASTIC 60 X 50 - 30 LONG	4
04	45936.01	STAND ASSY	1
05	45936.02	STAND ASSY	1
06	45210.01	PLUG PLASTIC 70 X 70 BLACK	4
07	00.372.01	LINCH PIN	4
07	03.652.08	PIN 20 DIA X 102	4
08*	03.654.79	PIN - DIA 30 X 214	1
08	05.287.01	SELF-LOCKING NUT M8 PLATED	1
08	05.291.06	BOLT M8 X 55MM PLATED	1
09*	03.654.94	PIN 30 DIA X 130MM	1
09	05.287.01	SELF-LOCKING NUT M8 PLATED	1
09	05.291.06	BOLT M8 X 55MM PLATED	1
10	05.264.22	SETSCREW M12 X 25MM PLATED	2
10	05.282.03	SPRING WASHER 12MM PLATED	2
10	05.953.01	GREASE NIPPLE M6	1
10*	45940.01	BRACKET - SPRING	1
11	46013.01	CLAMP	1
12	46011.01	BOSS	1
13	45987.01	RUBBER BUFFER 7530/OEO/5	2
13	02.824.01	WASHER 50 O/D	1
14	05.282.01	SPRING WASHER 8MM PLATED	6
14	05.286.01	NUT M8 PLATED	6
14*	46049.01	GUARD - REAR LH	1
14	46049.02	GUARD - REAR LH	1
14	9293054	BOLT CUP SQUARE M8X25 (PLATE)	6
15*	46125.01	PIN CAT 2 TOP LINK	1
15	00.372.01	LINCH PIN	1

* MAIN PART IN GROUP, RELATED PARTS HAVE SAME REFERENCE NUMBER



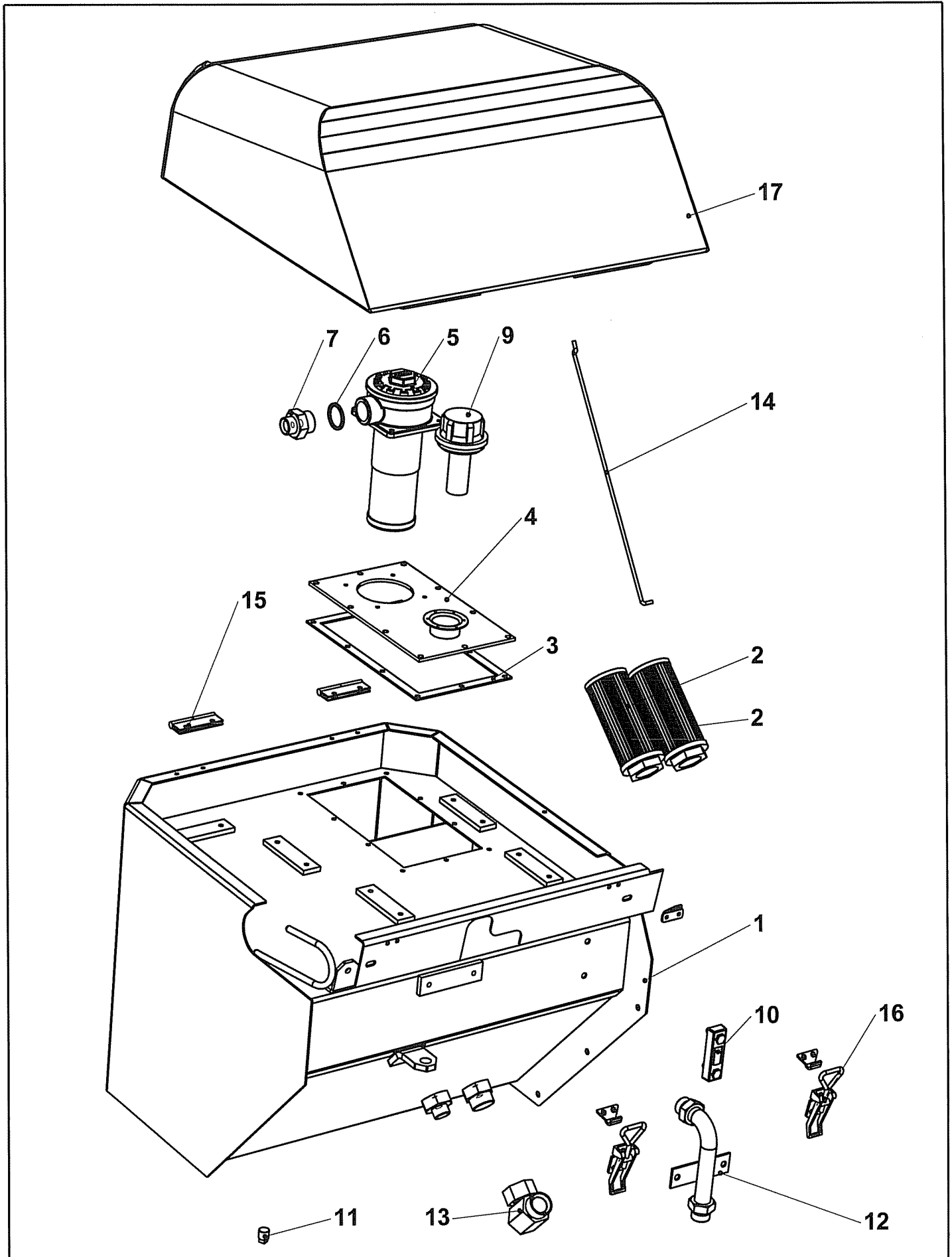
REF	PART NO.	DESCRIPTION	QTY
77.123.01 3 POINT LINKAGE KIT			
01	05.953.01	GREASE NIPPLE M6	2
01	45962.01	ASSY - U FRAME	1
02	46035.01	ROD 50 - 550	2
03	00.372.01	LINCH PIN	2
03*	45973.01	LOWER LINK BAR	1
04	43367.01	PLATE CAT2	1
05	07.584.02	TOP LINK - HEAVY DUTY	1
06	42801.02	SPACER-SPECIAL	2
07	00.372.01	LINCH PIN	5
07*	46125.01	PIN CAT 2 TOP LINK	5
08	00.372.01	LINCH PIN	2
08*	T1657	PIN LINKAGE 3/4IN	2
09	05.964.01	SPRING COTTER 3.6MM DIA	2
09*	43011.01	PIN - LATCH LOCK	2
10	05.281.05	FLAT WASHER 20MM PLATED	2
10	05.287.05	SELF-LOCKING NUT M20 PLATED	2
10	05.291.49	BOLT M20 X 70MM PLATED	2
10*	46051.01	PLATE - CLAMP - 20	2
11*	05.285.05	BOLT M24 X 120	2
11	05.281.16	FLAT WASHER	4
11	05.287.06	SELF LOCKING NUT M24	2
17	43368.01	PLATE 28 DIA PIN	1

* MAIN PART IN GROUP, RELATED PARTS HAVE SAME REFERENCE NUMBER



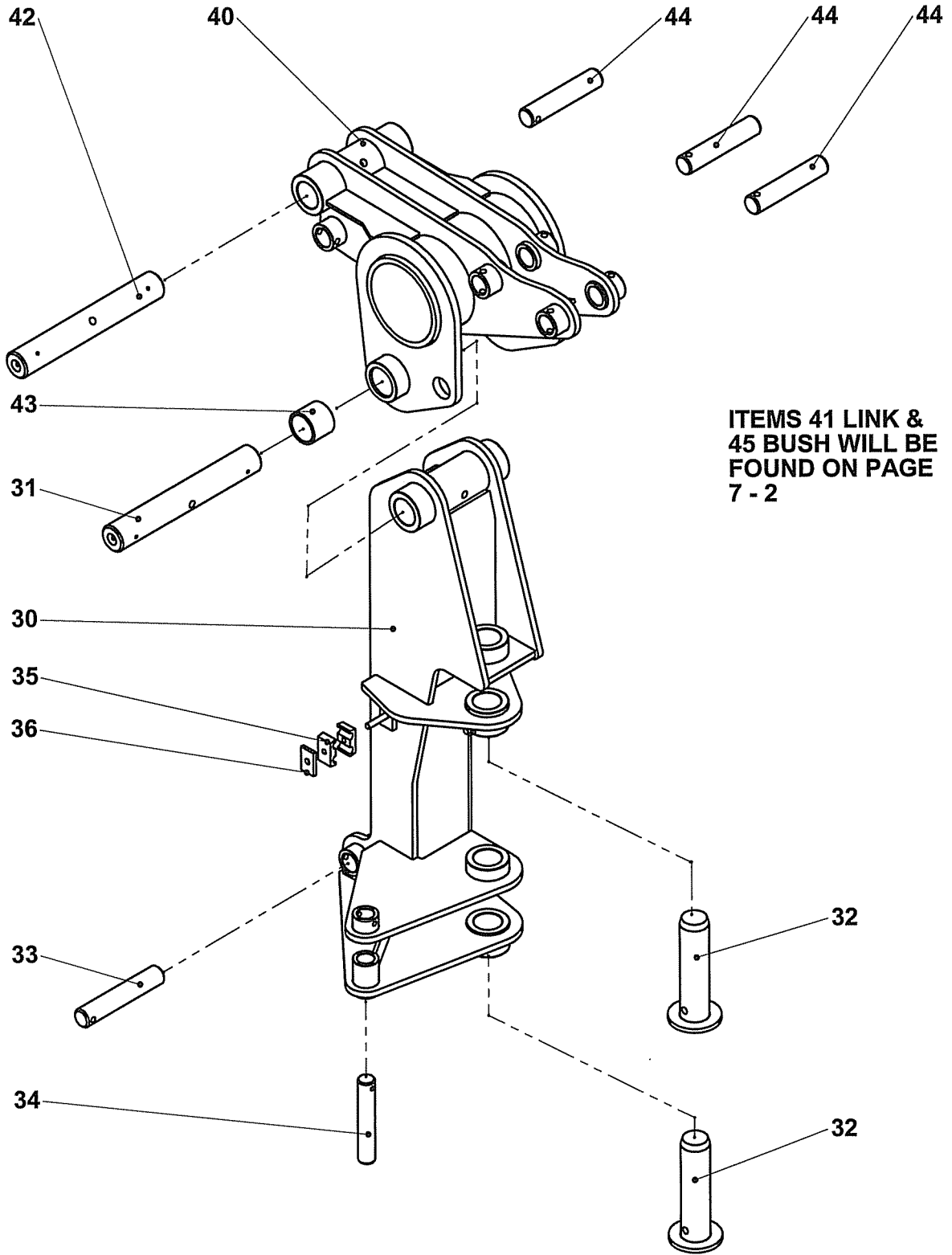
REF	PART NO.	DESCRIPTION	QTY
77.136.01 AXLE MOUNT KIT FALCON			
15	46157.01	BRACKET - AXLE MOUNTING	1
16*	03.657.18	PIN 50 DIA X 291MM	2
16	05.282.03	SPRING WASHER 12MM PLATED	2
16	05.286.03	NUT M12 PLATED	2
16	05.292.22	BOLT M12 X 90MM PLATED	2
17	08.543.01	PIVOT GATE	2
18*	03.752.01	MOUNTING FORK	2
18	05.282.05	SPRING WASHER 20MM PLATED	8
18	05.286.05	NUT M20 PLATED	8
18	05.292.41	BOLT M20 X 80MM PLATED	8
19	03.719.01	CATCH PLATE	2
20*	03.255.05	CHAIN-RING ASSY	2
20	03.650.01	PIN 12 DIA X 68	2
20	05.964.01	SPRING COTTER 3.6MM DIA	2
22	03.806.01	BRACKET-TIE ROD R.H.	2
23*	03.652.02	PIN 20 DIA X 53 *P*	2
23	05.284.03	SPLIT COTTER 3.2MM X 36MM	2
24*	03.804.01	TURNBUCKLE PLATED	2
24	05.286.06	NUT M24 PLATED	2
25	03.805.01	BRACKET-TIE ROD L.H.	2
30	03.644.01	YOKE BRACKET	1
31*	03.654.01	PIN 30 DIA X 198	1
31	05.284.14	SPLIT COTTER 5MM X 40MM	1
31	05.953.03	GREASE NIPPLE M10	1
32*	03.654.02	PIN 30 DIA X 96	1
32	05.284.16	SPLIT COTTER 5MM X 50MM	1
32	05.953.03	GREASE NIPPLE M10	1
40	43502.01	BRACKET LH	1
41	43502.02	BRACKET RH	1
42	03.652.03	PIN 20 DIA X 79	2
43	05.287.01	SELF-LOCKING NUT M8 PLATED	4
43	05.291.06	BOLT M8 X 55MM PLATED	4
43*	46159.01	PIN 30 DIA X 136	4
44	05.264.23	SETSCREW M12 X 30 MM	4
44	05.282.03	SPRING WASHER 12MM	4
44	05.286.03	NUT M12	4
44*	46205.01	BRACKET, STAND REAR	1
45	46206.01	STAND, REAR	1
46	30.141.34	ADJUSTER FOOT	3
47	00.372.01	LINCH PIN	2
47*	03.652.01	PIN 20 DIA X 90	2
48	46204.02	BRACKET, STAND FRONT	2
49	00.372.01	LINCH PIN	4
49*	42930.04	PIN 19 DIA X 102	4
50	45210.01	PLUG, PLASTIC 70 X 70	2

* MAIN PART IN GROUP, RELATED PARTS HAVE SAME REFERENCE NUMBER



REF	PART NO.	DESCRIPTION	QTY
77.109.01/02 OIL TANK ASSY LH/RH			
01	04.282.68	STUD M10 X 33MM	4
01	05.264.01	SETSCREW M8 X 20MM PLATED	4
01	05.281.01	FLAT WASHER 8MM PLATED	10
01	05.282.01	SPRING WASHER 8MM PLATED	4
01	05.282.02	SPRING WASHER 10MM PLATED	4
01	05.286.01	NUT M8 PLATED	10
01	05.286.02	NUT M10 PLATED	4
01	05.287.04	SELF-LOCKING NUT M16 PLATED	3
01	05.291.35	BOLT M16 X 50MM PLATED	1
01	05.292.34	BOLT M16 X 110MM PLATED	2
01*	45989.01	TANK OIL LH	1
01	45989.02	TANK OIL RH	1
02	8401047	UC-SE-1324 SUCTION	2
03	08.605.01	GASKET	1
04	41.255.01	PLATE - FILLER/FILTER	1
05*	41.041.01	FILTER ASSEMBLY 125L	1
05	41.041.02	ELEMENT 125L	0
06	05.290.08	BONDED SEAL 1.1/4"BSP	1
07	05.131.01	ADAPTOR 1" X 1.1/4" BSP	1
09	06.966.02	FILLER BREATHER CAP & STRAINER	1
10	08.921.01	FLUID LEVEL GAUGE	1
11	05.495.01	PLUG 1/2"BSPT	1
12	04.282.88	STUD M10 X 23	2
12	05.282.02	SPRING WASHER 10MM PLATED	2
12	05.286.02	NUT M10 PLATED	2
12*	46107.01	PIPE - HYDRAULIC 1"BSP	1
13	05.835.10	ADAPTOR 90 SWIVEL 1.1/2"BSP MF	1
14	46066.01	GUARD - TANK SIDE LH	1
14	46066.02	GUARD - TANK SIDE RH	1
14	46074.01	STAY - TANK GUARD	1
14	46076.01	MOUNT STAY - TANK GUARD	1
14	46076.31	PLATE - GUARD TANK	1
14	46187.01	BRACKET - STAY	1
14	46192.01	PUSH ON RETAINER	2
15	05.345.14	M6 CSK SKT SCREW 16MM	8
15	30.070.64	NUT NYLOC M6.Z/P.	8
15	46065.01	HINGE	2
16	43449.03	PLATE TOGGLE CLAMP - TANK	2
16	43449.04	FASTENER - OVERCENTRE	2
16	05.286.09	NUT M5	10
16	9353022	M5 SK HD SCREW	10
17	46052.01	GUARD TANK TOP LH	1
17	46144.01	GUARD TANK TOP RH	1

* MAIN PART IN GROUP, RELATED PARTS HAVE SAME REFERENCE NUMBER



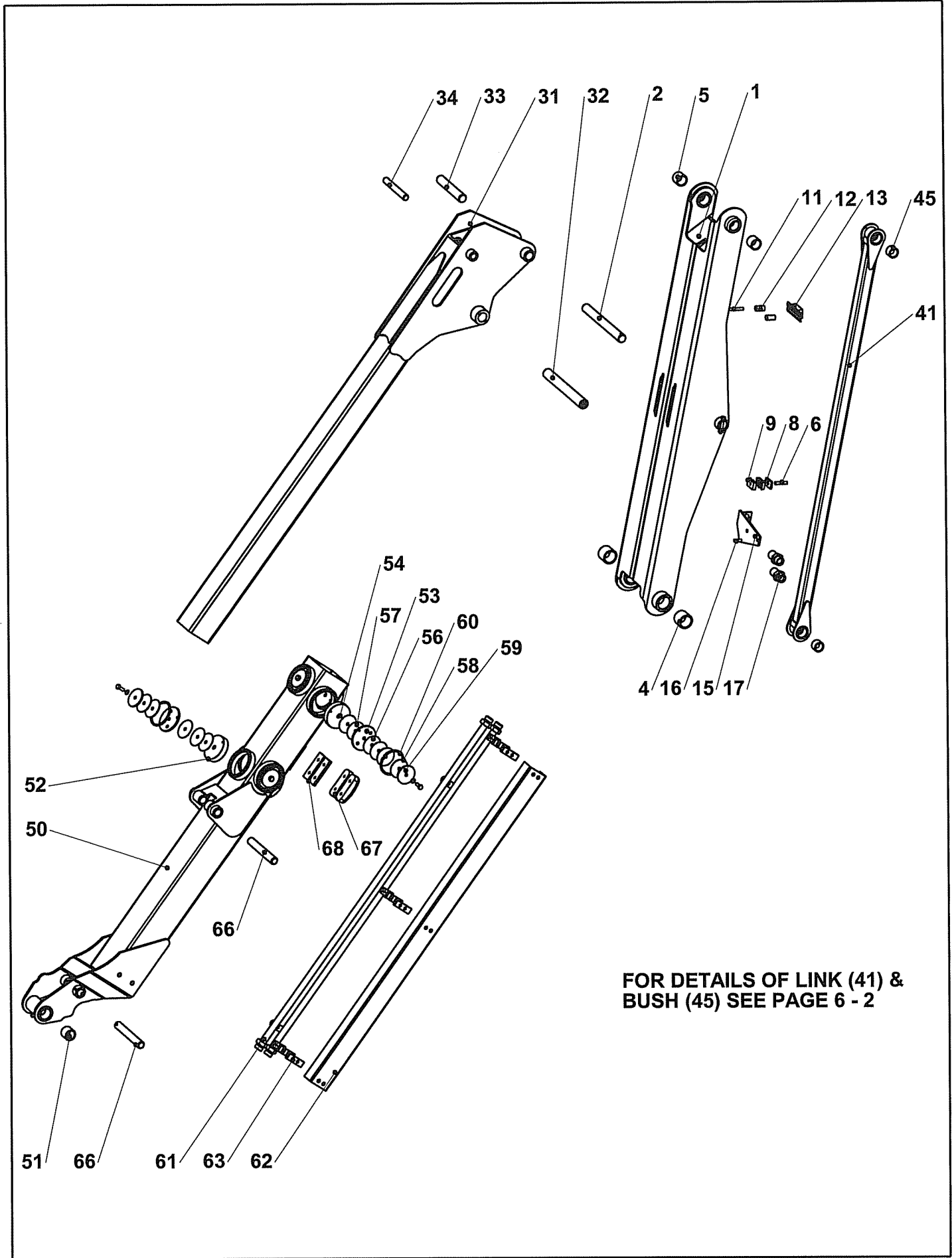
ITEMS 41 LINK &
45 BUSH WILL BE
FOUND ON PAGE
7 - 2

REF	PART NO	DESCRIPTION	QTY
77.105.05 KINGPOST PAR ASSY LH			
30	46116.03	KINGPOST PAR LH	1
31*	03.657.24	PIN - DIA 50 X 341	1
31	05.953.01	GREASE NIPPLE M6	2
32	05.287.03	SELF-LOCKING NUT M12 PLATED	2
32	05.292.22	BOLT M12 X 90MM PLATED	2
32*	45965.01	PIN - KINGPOST 50 DIA	2
33*	03.655.53	PIN 35 X 189	1
33	05.287.02	SELF-LOCKING NUT M10 PLATED	1
33	05.291.18	BOLT M10 X 65 PLATED	1
34*	03.654.89	PIN 30 DIA X 170	1
34	05.287.01	SELF-LOCKING NUT M8 PLATED	1
34	05.291.06	BOLT M8 X 55MM PLATED	1
35	06.430.02	CLAMP HOSE 14 X 14	2
36	04.282.66	STUD - M10 X 56	1
36	05.282.02	SPRING WASHER 10MM PLATED	1
36	05.286.02	NUT M10 PLATED	1
36*	06.418.06	CLAMP PLATE 48 X 6	1

77.148.01 ROCKER ASSEMBLY

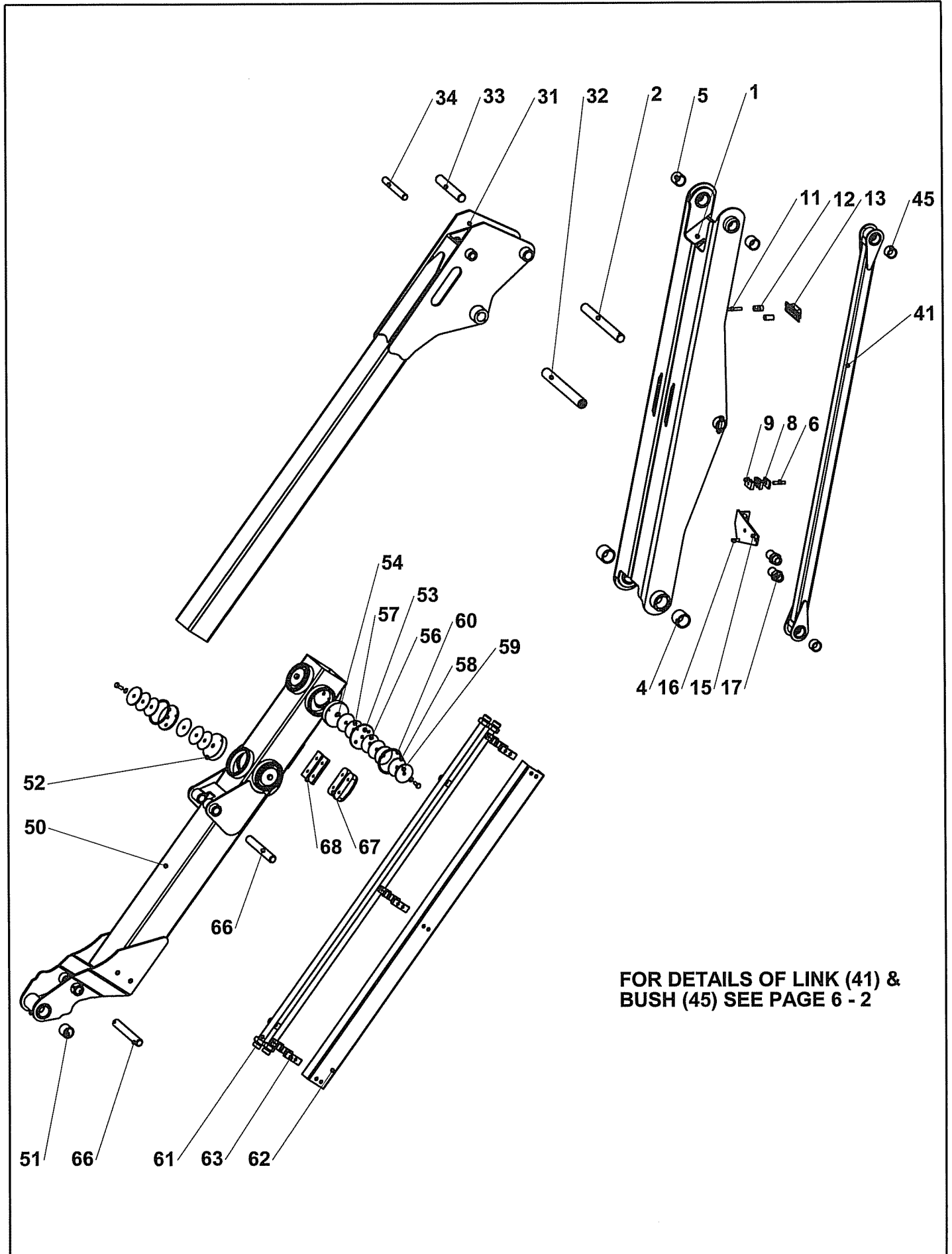
40	46117.02	ROCKER	1
41	46115.01	LINK	1
42*	03.657.24	PIN DIA 50 X 341	1
42	05.287.03	SELF LOCKING NUT M12	1
42	05.292.22	BOLT M12 X 90	1
42	05.953.01	GREASE NIPPLE	2
43	08.297.01	BUSH PLASTIC 60 X 50 X 50	2
44*	03.655.33	PIN 35 DIA X 172	3
44	05.287.02	SELF LOCKING NUT M10	3
44	05.191.18	BOLT M10 X 65	3
45	08.297.05	BUSH PLASTIC 42 X 35 X 30	4

MAIN PART IN GROUP, RELATED PARTS HAVE SAME REFERENCE NUMBER



REF	PART NO	DESCRIPTION	QTY
77.115.11 FIRST ARM ASSY FAL6 PAR			
01	46118.01	ARM - FIRST PAR	1
02*	03.655.62	PIN 35 DIA X 324	1
02	05.287.02	SELF-LOCKING NUT M10 PLATED	1
02	05.291.18	BOLT M10 X 65 PLATED	1
04	08.297.01	BUSH - PLASTIC 60 X 50 X 50	2
05	08.297.02	BUSH - PLASTIC 47 X 40 X 40	2
06*	04.282.66	STUD - M10 X 56	1
06	05.281.02	FLT WASHER 10MM PLATED FORM C	2
06	9100025	NUT DOMED M10 PLATED	2
08	06.418.06	CLAMP PLATE 48 X 6	2
09	06.430.02	CLAMP HOSE 14 X 14	6
11	45529.01	SPACER	2
12*	04.282.76	STUD - M10 X 70 PLATED	2
12	05.282.02	SPRING WASHER 10MM PLATED	2
12	9100025	NUT DOMED M10 PLATED	2
13	45531.01	CLAMP - HOSE	1
15	46099.01	BRACKET - HOSE MOUNTING LH	1
16*	03.100.01	STUD M10 X 34MM	2
16	05.282.02	SPRING WASHER 10MM PLATED	2
16	05.286.02	NUT M10 PLATED	2
17	08.128.03	ADAPTR 1"BSP BULKHEAD C/W LNUT	2
18	04.282.09	STUD M10 X 85MM	1

* MAIN PART IN GROUP, RELATED PARTS HAVE SAME REFERENCE NUMBER



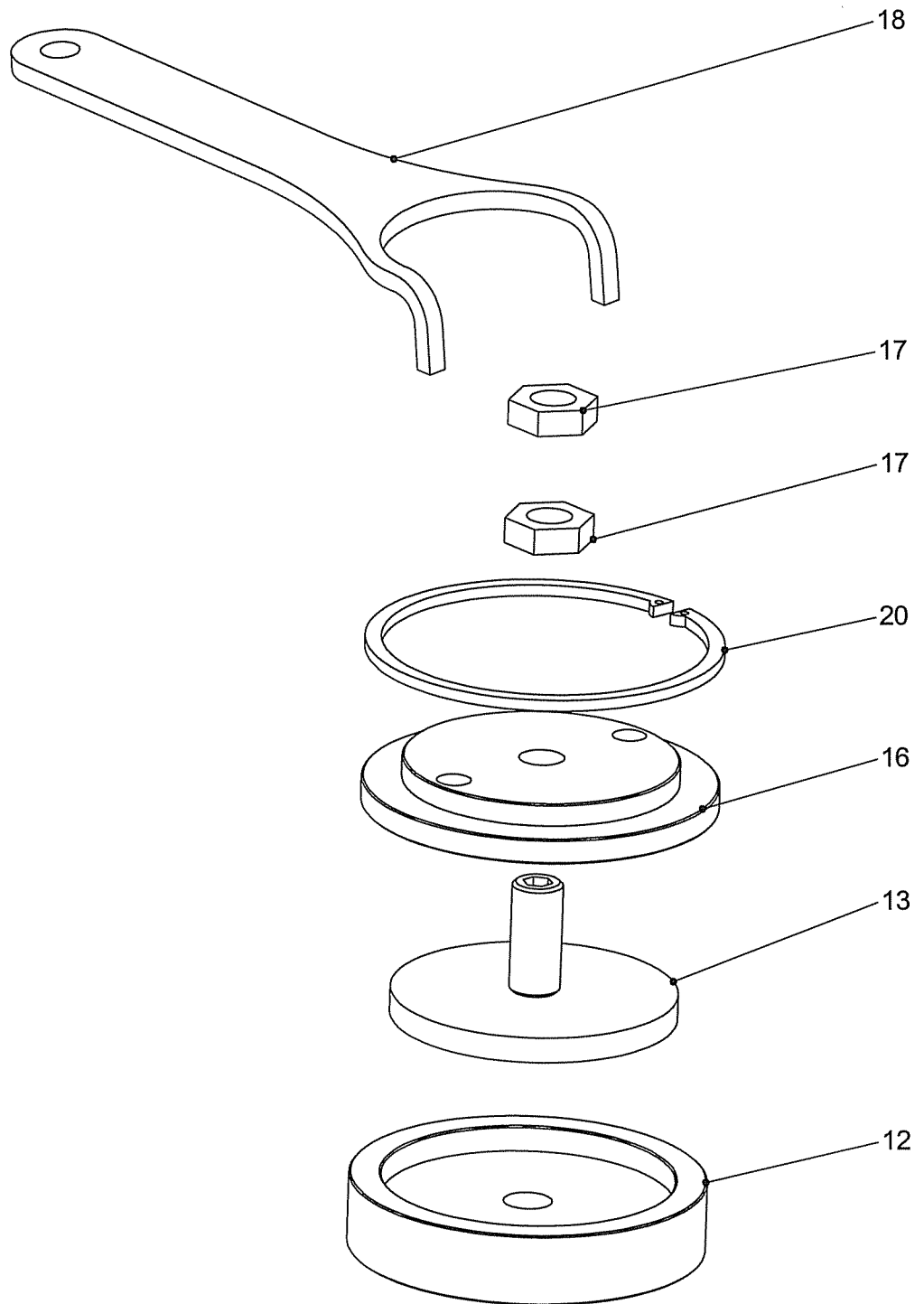
REF	PART NO	DESCRIPTION	QTY
77.171.02 SECOND ARM ASSY INNER PAR FALCON			
31	46197.01	ARM – INNER TELE PARALLEL	1
32*	43292.02	PIN 40 DIA X 328	1
32	05.292.11	BOLT M10 X 80MM PLATED	1
32	05.953.01	GREASE NIPPLE M6	2
32	05.287.02	SELF-LOCKING NUT M10 PLATED	1
33*	03.655.59	PIN 35 DIA X 204	1
33	05.291.18	BOLT M10 X 65 PLATED	1
34*	03.653.79	PIN 25 - 198LG	1
34	05.287.01	SELF-LOCKING NUT M8 PLATED	1
34	05.291.05	BOLT M8 X 50MM PLATED	1
34	05.287.02	SELF-LOCKING NUT M10	1

77.172.03 SECOND ARM ASSY OUTER LH FAL6

50	05.953.04	GREASE NIPPLE M10 90 DEG	1
50*	46208.01	ARM - OUTER TELE 6 PAR LH	1
51	08.297.02	BUSH - PLASTIC 47 X 40 X 40	2
52▲	41790.01	PAD-BEARING 110 DIA (INSERT)	2
53▲	05.264.13	SETSCREW M10 X 30MM PLATED	2
53▲	05.282.02	SPRING WASHER 10MM PLATED	2
53*▲	41791.01	LOCATION DISC	8
54▲	41790.02	PAD-BEARING 110 DIA (NO INSERT)	6
56▲	41792.01	SHIM - 0.5MM	8
57▲	41792.02	SHIM - 1.0MM	8
58▲	41792.03	SHIM - 2.0MM	8
59▲	41793.01	SHIM - 5.0MM	4
60▲	05.959.25	CIRCLIP - 110DIA INTERNAL	8
61	05.264.24	SETSCREW M12 X 35MM PLATED	2
61	05.282.02	SPRING WASHER 10MM PLATED	2
61*	41796.03	RIGID PIPE ASSY TELE ARM PAR	1
62	04.282.80	STUD M10 X 50	6
62	05.281.02	FLT WASHER 10MM PLATED FORM C	6
62	05.282.02	SPRING WASHER 10MM PLATED	6
62	9100025	NUT DOMED M10 PLATED	6
62*	41797.03	GUARD - TELE ARM PAR	1
63	41696.02	CLAMP - HOSE TELE ARM	6
66*	03.654.79	PIN 30 X 214	2
66	05.287.01	SELF LOCKING NUT M8	2
66	05.291.06	BOLT M8 X 55M	2
67	05.625.38	SOCKET CAP SCREW M8 X 40	2
67*	46237.01	RUBBER BUFFER	2
68	46241.01	SPACER	2

▲ - FOR LATEST TYPE OF WEAR PAD SEE PAGE 7 - 6

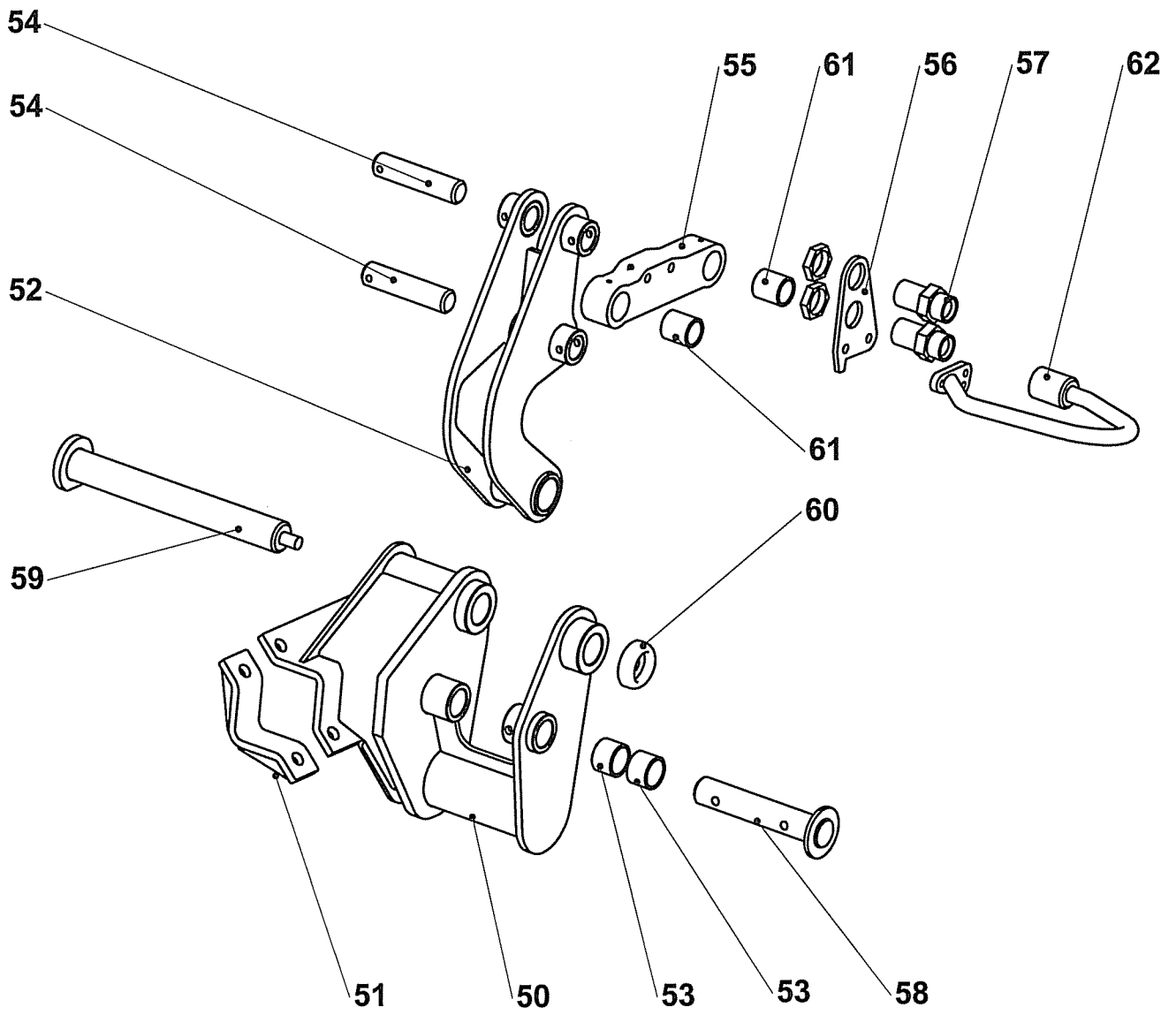
MAIN PART IN GROUP, RELATED PARTS HAVE SAME REFERENCE NUMBER



REF	PART NO	DESCRIPTION	QTY
-----	---------	-------------	-----

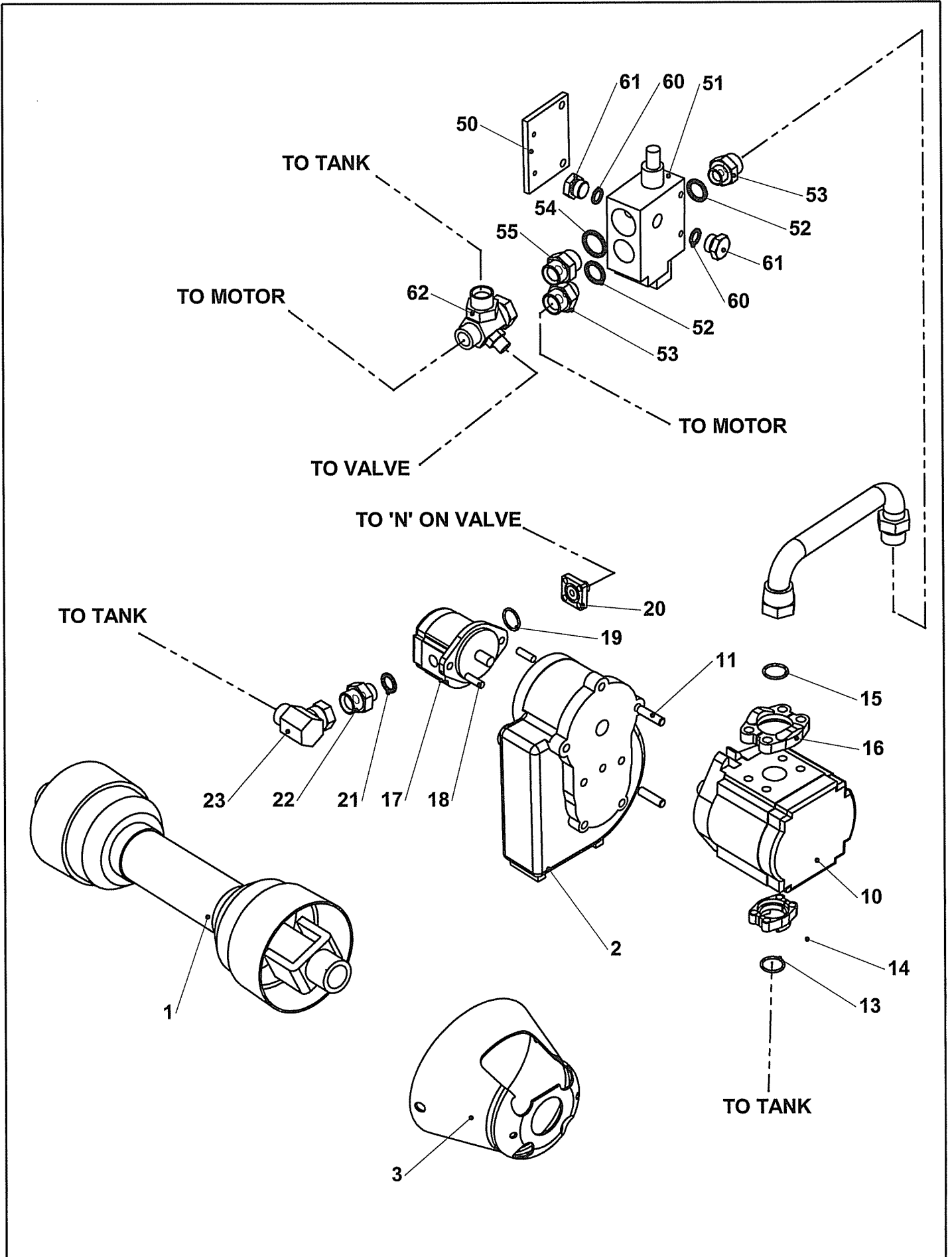
NEW TYPE WEAR PAD

12	41000.31	WEAR PAD	8
13	41000.01	WEAR PAD ADJUSTER	8
16	41791.31	CAP PLATE	8
17	41000.36	NUT THIN	16
18	46715.01	ADJUSTING SPANNER	1
20	05.959.25	CIRCLIP	8



REF	PART NO.	DESCRIPTION	QTY
77.108.01/02 COWL BRACKET ASSY LH/RH			
50	45949.01	BRACKET - COWL LH	1
50	45949.02	BRACKET - COWL RH	1
51	05.264.37	SETSCREW M16 X 50MM PLATED	4
51	05.282.04	SPRING WASHER 16MM PLATED	4
51	05.286.04	NUT M16 PLATED	4
51*	45948.01	CLAMP - COWL 70X70	2
52	05.953.03	GREASE NIPPLE M10	1
52*	46090.01	LINK - COWL	1
53	08.297.05	PLASTIC BUSH - 42 X 35 - 30	2
54*	03.654.59	PIN - DIA 30 X 128	2
54	05.287.01	SELF-LOCKING NUT M8 PLATED	2
54	05.291.06	BOLT M8 X 55MM PLATED	2
55	05.953.01	GREASE NIPPLE M6	1
55	05.953.05	GREASE NIPPLE M6 X 90DEG	1
55*	45950.01	LINK - COWL	1
56	45491.01	PLATE - BULKHEAD	1
57	08.128.03	ADAPTR 1"BSP BULKHEAD C/W LNUT	2
58*	03.655.27	PIN 35 DIA X 184 *P*	1
58	05.287.02	SELF-LOCKING NUT M10 PLATED	1
58	05.291.18	BOLT M10 X 65 PLATED	1
59	00.372.01	LINCH PIN	1
59	05.282.04	SPRING WASHER 16MM PLATED	1
59	05.286.04	NUT M16 PLATED	1
59*	45951.01	PIN - COWL PIVOT 40 DIA	1
60	07.942.03	WASHER - SPECIAL M16	1
61	08.297.10	PLASTIC BUSH - 37 X 30 - 40	2
62	04.282.76	STUD - M10 X 70 PLATED	2
62	05.287.02	SELF-LOCKING NUT M10 PLATED	2
62*	45954.01	GUARD - BULKHEAD	1

MAIN PART IN GROUP, RELATED PARTS HAVE SAME REFERENCE NUMBER



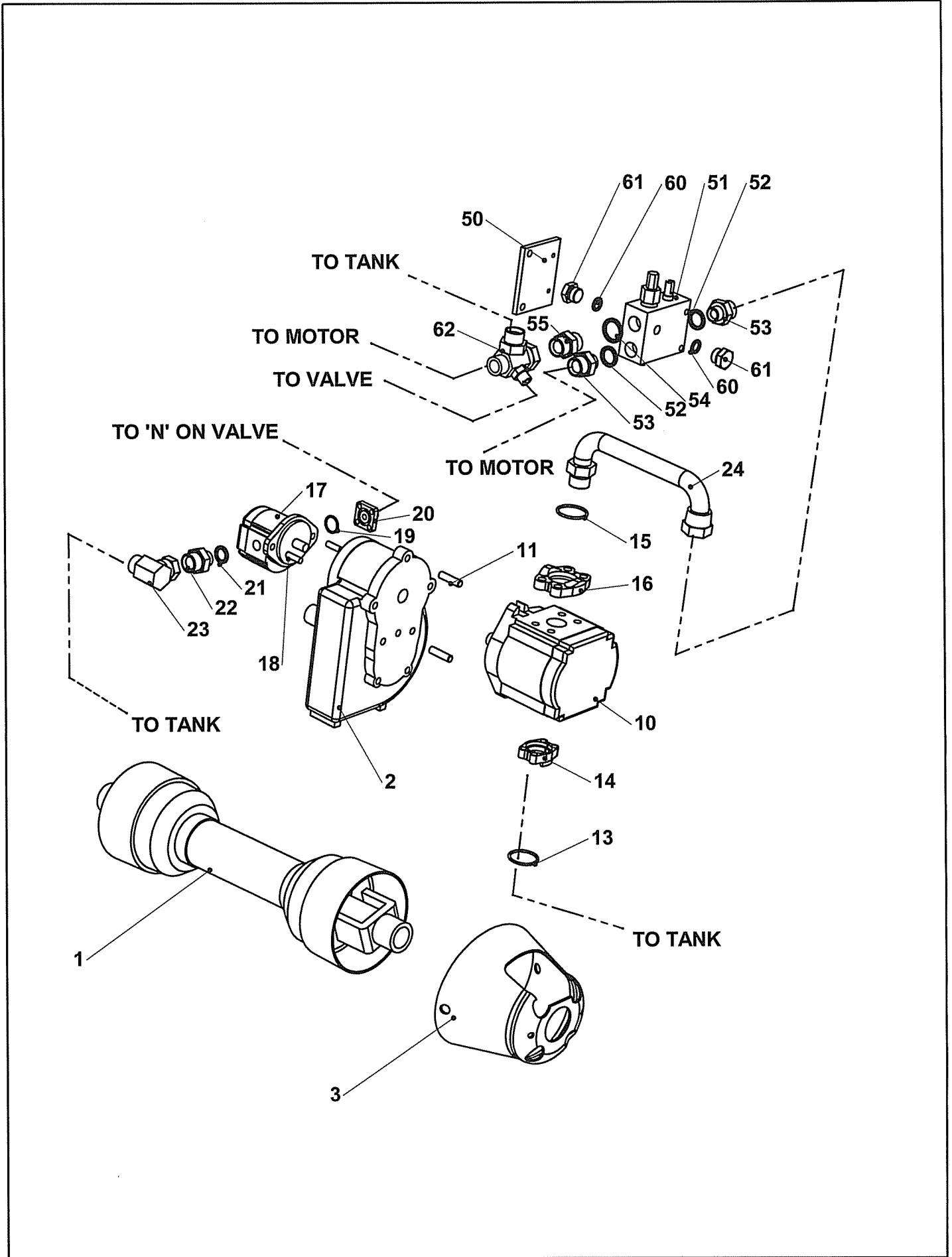
REF	PART NO	DESCRIPTION	QTY
77.107.03/04 PTO/GEARBOX/PUMPS ELECTRIC LH/RH			
01	04.402.02	P.T.O GUARD ASSY 560MM C/C	0
01	06.154.13	PTO JOURNAL BEARING KIT	0
01*	41624.01	PTO SHAFT ASSY 560 MM C/C	1
01	41624.31	CROSS JOURNAL SET	0
01	41624.32	COMPLETE SHIELD	0
02	05.968.03	SELF LOCKING NUT M12 (FINE)	4
02*	42693.02	GEARBOX 3:1 CAST IRON	1
02	43548.32	STUD M12 FINE M12 COARSE	4
03	05.281.01	FLAT WASHER 8MM PLATED	2
03	05.282.01	SPRING WASHER 8MM PLATED	2
03	05.839.03	SETSCREW M8 X 16MM PLATED	2
03*	08.548.01	GUARD - PLASTIC PTO CUP	1
10	05.453.01	SEAL KIT (0547901/0953601)	0
10*	09.536.01	GEAR PUMP - ULTRA 3PL	1
11	04.282.74	STUD - M12 X 49	2
11	05.281.03	FLAT WASHER 12MM PLATED	2
11	05.287.03	SELF-LOCKING NUT M12 PLATED	2
12	41421.01	GASKET - PUMP FACE	1
13	8600124	O RING 200-219-4490	1
14	01.697.03	SPLIT FLANGE(2) 1"SAE 3000PSI	1
14*	0342103	CAPCREW 3/8"UNC 1.1/4"LGBZP	4
15	8600303	O RING 200-225-4490	1
16	0342104	CAPSCREW 1/2"UNC 1.1/4"LGBZP	4
16*	41.294.01	SPLT FLANGE(2) 1.1/2"SAE3000PSI	1
17*	09.537.02	GEAR PUMP - ULTRA 1PX100 - ELECTRIC MACHINES	1
17	09.537.04	SEAL KIT PX PUMPS	0
18*	03.100.01	STUD M10 X 34MM	2
18	05.287.02	SELF-LOCKING NUT M10 PLATED	2
19	30.210.92	O RING 200-121-4490	1
20	05.657.01	SCKT CAPSCREW 5/16"UNC X 3/8"	4
20*	09.745.01	ADAPTOR FLANGE 3/8" BSP	1
21	05.290.05	BONDED SEAL 1/2"BSP	1
22	30.059.84	ADAPTOR 1/2 BSPM / 1 BSPM	1
23	05.835.02	ADAPTOR-SWIVEL 90 1"BSP M/F	1
24	46127.01■	PIPE - HYDRAULIC 1"BSP	1

■ LH MACHINES ONLY

77.126.01 PUMP CIRCUIT ELECTRIC

50	05.282.01	SPRING WASHER 8MM PLATED	2
50	05.291.07	BOLT M8 X 60MM PLATED	2
50	46058.01	FLT 100 X 10 - 170	1
51	08.943.01	RELIEF VALVE/DIVERTER-ELECTRIC	1
52	05.290.06	BONDED SEAL 3/4"BSP	2
53	05.373.01	ADAPTOR 3/4"BSP X 1"BSP	2
54	05.290.07	BONDED SEAL 1"BSP	1
55	05.434.01	ADAPTOR 1"BSP X 1"BSP	1
58	05.434.01	ADAPTOR 1"BSP X 1"BSP (NOT ILLUSTRATED)	2
59	05.433.03	PLUG 1"BSP PLATED (NOT ILUSTRATED)	2
60	05.290.04	BONDED SEAL 3/8"BSP	2
61	05.433.01	PLUG 3/8" BSP PLATED	2
62	04.056.46	ADAPTOR-SPECIAL M/M/M/F	1

MAIN PART IN GROUP, RELATED PARTS HAVE SAME REFERENCE NUMBER



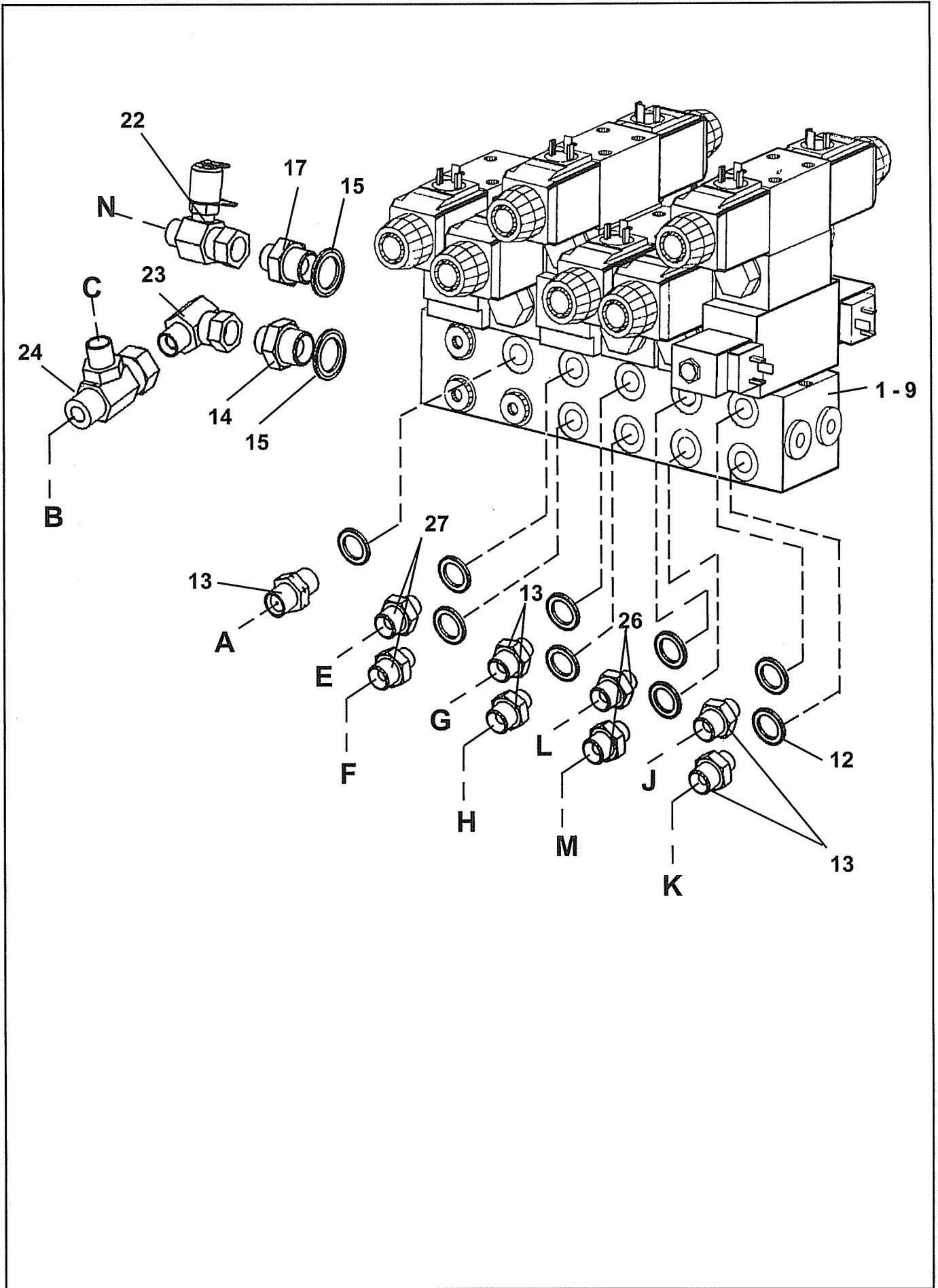
REF	PART NO	DESCRIPTION	QTY
77.107.01/02 PTO/GEARBOX/PUMPS CABLE LH/RH			
01	04.402.02	P.T.O GUARD ASSY 560MM C/C	0
01	06.154.13	PTO JOURNAL BEARING KIT	0
01*	41624.01	PTO SHAFT ASSY 560 MM C/C	1
01	41624.31	CROSS JOURNAL SET	0
01	41624.32	COMPLETE SHIELD	0
02	05.968.03	SELF LOCKING NUT M12 (FINE)	4
02*	42693.02	GEARBOX 3:1 CAST IRON	1
02	43548.32	STUD M12 FINE M12 COARSE	4
03	05.281.01	FLAT WASHER 8MM PLATED	2
03	05.282.01	SPRING WASHER 8MM PLATED	2
03	05.839.03	SETSCREW M8 X 16MM PLATED	2
03*	08.548.01	GUARD - PLASTIC PTO CUP	1
10	05.453.01	SEAL KIT (0547901/0953601)	0
10*	09.536.01	GEAR PUMP - ULTRA 3PL	1
11	04.282.74	STUD - M12 X 49	2
11	05.281.03	FLAT WASHER 12MM PLATED	2
11	05.287.03	SELF-LOCKING NUT M12 PLATED	2
12	41421.01	GASKET - PUMP FACE	1
13	8600124	O RING 200-219-4490	1
14	01.697.03	SPLIT FLANGE(2) 1"SAE 3000PSI	1
14*	0342103	CAPCREW 3/8"UNC 1.1/4"LGBZP	4
15	8600303	O RING 200-225-4490	1
16	0342104	CAPSCREW 1/2"UNC 1.1/4"LGBZP	4
16*	41.294.01	SPLT FLANGE(2) 1.1/2"SAE3000PSI	1
17*	09.537.02	GEAR PUMP - ULTRA 1PX100 - CABLE MACHINES	1
17	09.537.04	SEAL KIT PX PUMPS	0
18	05.287.02	SELF-LOCKING NUT M10 PLATED	2
18*	03.100.01	STUD M10 X 34MM	2
19	30.210.92	O RING 200-121-4490	1
20	05.657.01	SCKT CAPSCREW 5/16"UNC X 7/8"	4
20*	09.745.01	ADAPTOR FLANGE 3/8" BSP	1
21	05.290.05	BONDED SEAL 1/2"BSP	1
22	30.059.84	ADAPTOR 1/2 BSPM / 1 BSPM	1
23	05.835.02	ADAPTOR-SWIVEL 90 1"BSP M/F	1
24	46127.01	PIPE - HYDRAULIC 1"BSP	1

■ LH MACHINES ONLY

77.126.02 PUMP CIRCUIT CABLE

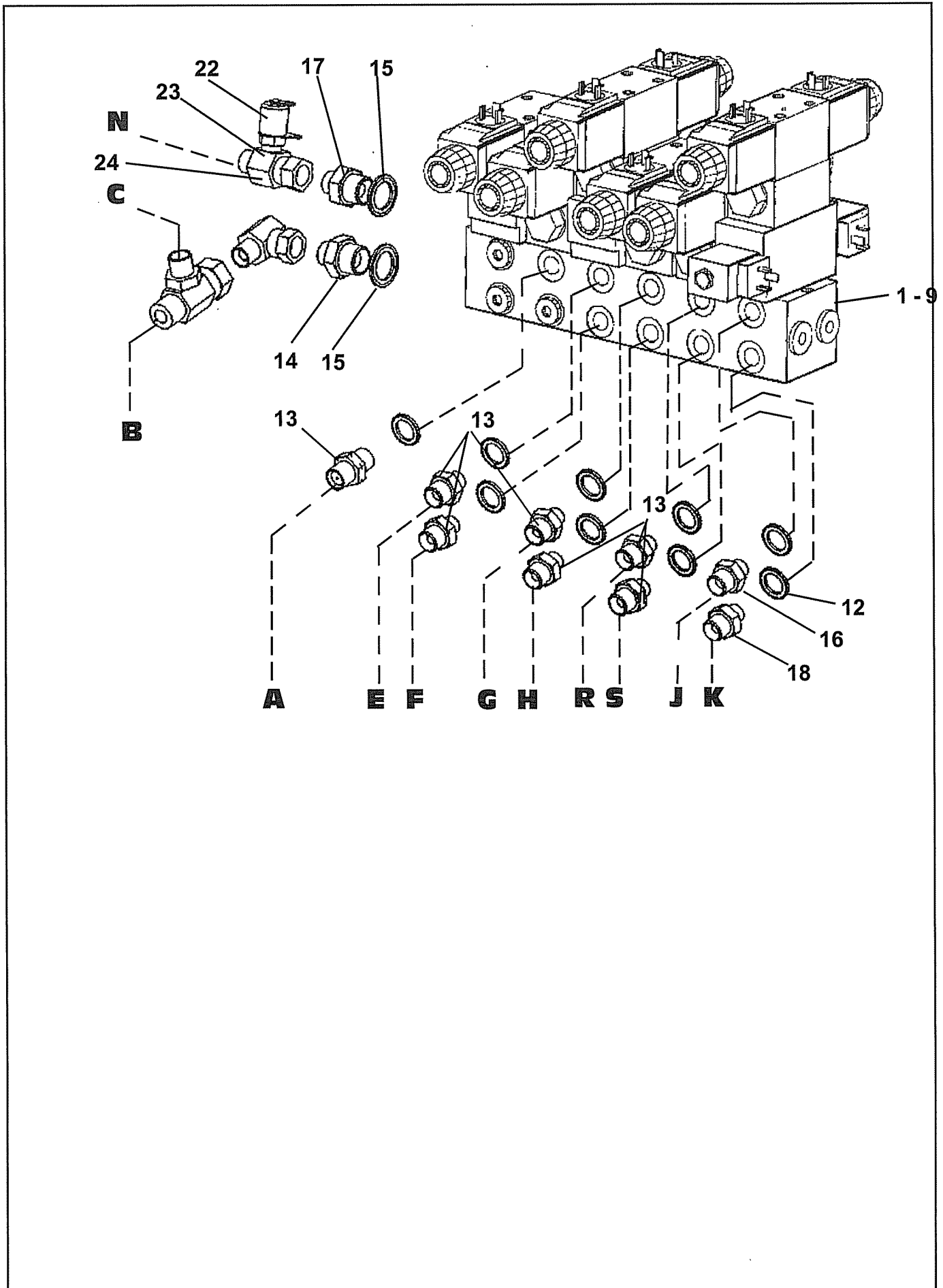
50	05.282.01	SPRING WASHER 8MM PLATED	2
50	05.291.07	BOLT M8 X 60MM PLATED	2
50	46058.01	FLT 100 X 10 - 170	1
51	06.284.16	DIVERTER/RELIEF ASSY - 207 BAR	1
52	05.290.06	BONDED SEAL 3/4"BSP	2
53	05.373.01	ADAPTOR 3/4"BSP X 1"BSP	2
54	05.290.07	BONDED SEAL 1"BSP	1
55	05.434.01	ADAPTOR 1"BSP X 1"BSP	1
58	05.434.01	ADAPTOR 1"BSP X 1"BSP (NOT ILLUSTRATED)	2
59	05.433.03	PLUG 1"BSP PLATED (NOT ILLUSTRATED)	2
60	05.290.04	BONDED SEAL 3/8"BSP	2
61	05.433.01	PLUG 3/8"BSP PLATED	2
62	04.056.46	ADAPTOR-SPECIAL M/M/M/F	1

MAIN PART IN GROUP, RELATED PARTS HAVE SAME REFERENCE NUMBER



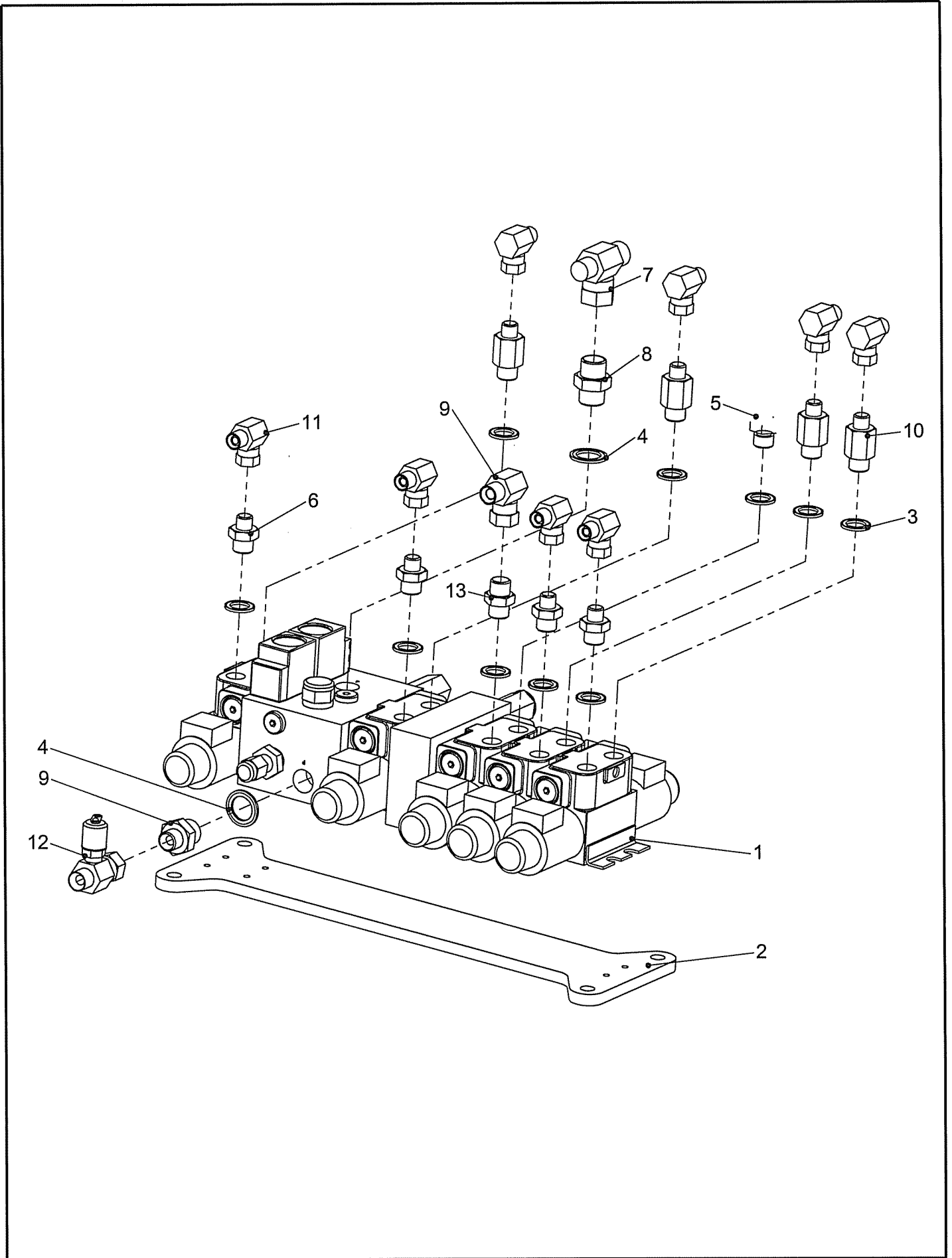
REF	PART NO.	DESCRIPTION	QTY
77.132.03 VALVE ASSY – DCU			
01	05.282.09	SPRING WASHER 5MM PLATED	4
01*	30.073.93	SCREW M5 X 16MM 8.8 GRADE	4
01	41784.24	CONTROL VALVE – 5 PROP SERV + HF	1
02	41784.37	RELIEF VALVE CARTRIDGE 207 BAR	0
03	08.852.51	CETOP 3 VENT VALVE	0
04	08.852.55	CETOP 3 SINGLE PO CHECK VALVE	0
05	41784.31	SPOOL VALVE PROPORTIONAL	0
06	08.852.53	CETOP 3 DUAL PO CHECK VALVE	0
08	41784.43	SOLENOID POCV CARTRIDGE	0
09	41784.39	RELIEF VALVE CARTRIDGE 136 BAR	0
12	05.290.04	BONDED SEAL 3/8 BSP	7
13	01.099.01	ADAPTOR 3/8" BSP X 1/4" BSP	3
14	05.122.01	ADARTOR 1/2" BSP X 1/2" BSP	1
15	05.290.05	BONDED SEAL 1/2" BSP	3
17	05.123.01	ADAPTOR 1/2" BSP X 3/8" BSP	2
21	41814.09	DECAL – 5 SERVICE (NOT ILLUSTRATED)	1
22	8131004	MF TEST UNION 3/8" BSP	1
24	04.056.25	ADAPTOR T FMM 1/2" X 1/2" X 1/4"	1
25	46056.01	PLATE – VALVE MOUNTING (NOT ILLUSTRATED)	1
26	03.028.08	RESTRICTOR 3/8" X 1/4" BSP 1.27	2
27	03.028.16	RESTRICTOR 3/8" X 1/4" BSP 1.00MM	2

*MAIN PART IN GROUP, RELATED PARTS HAVE SAME REFERENCE NUMBER



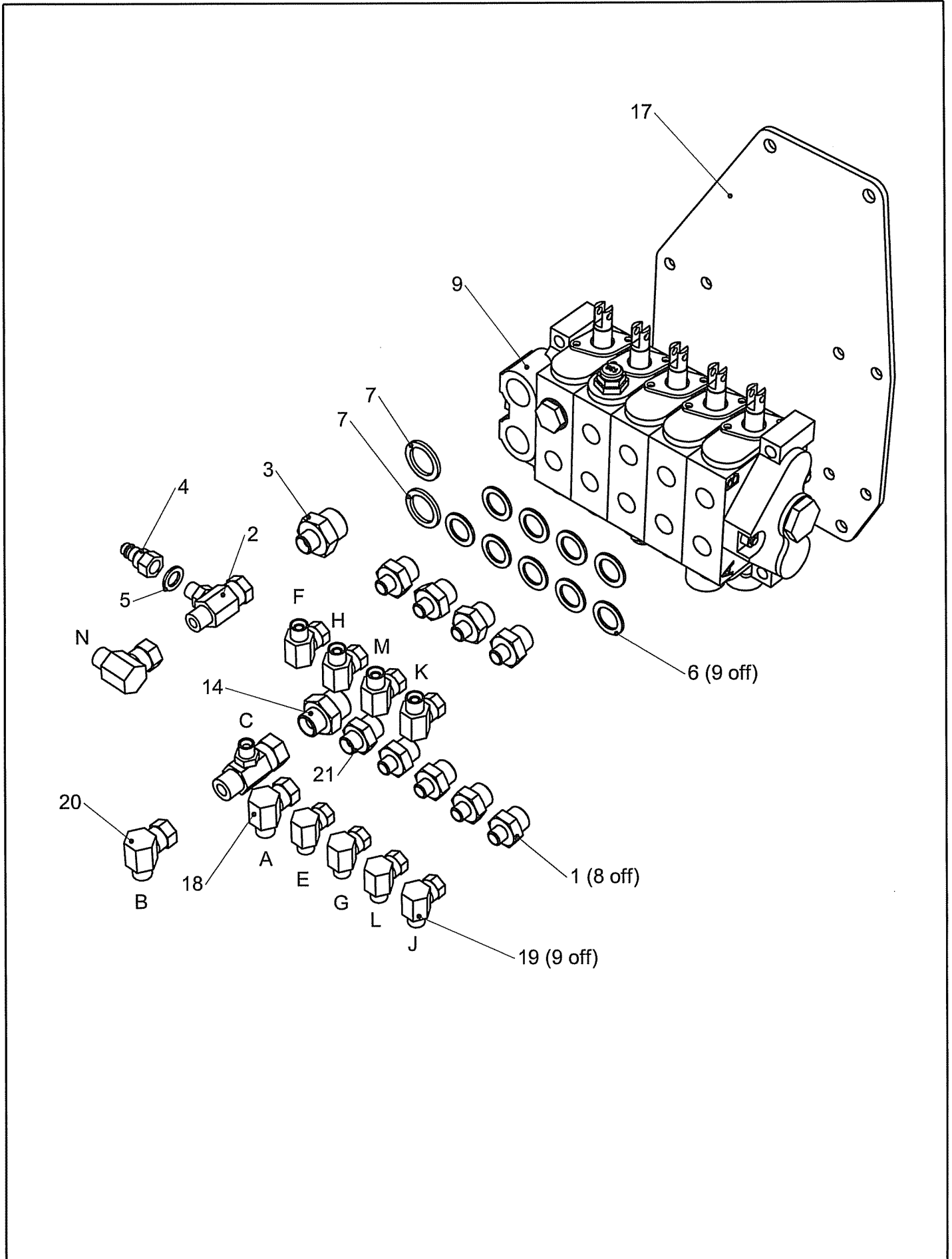
REF	PART NO.	DESCRIPTION	QTY
76.427.06	VALVE ASSY – EPP11 - 5 SERV		
01	05.282.09	SPRING WASHER 5MM PLATED	4
01*	30.073.93	SCREW M5 X 16MM 8.8 GRADE	4
01	41784.13	CONTROL VALVE – 5 PROP SERV + HF	1
02	41784.37	RELIEF VALVE CARTRIDGE 207 BAR	0
03	08.852.51	CETOP 3 VENT VALVE	0
04	08.852.55	CETOP 3 SINGLE PO CHECK VALVE	0
05	41784.31	SPOOL VALVE PROPORTIONAL	0
06	08.852.53	CETOP 3 DUAL PO CHECK VALVE	0
07	08.852.52	CETOP 3 MOTOR SPOOL VALVE	0
08	41784.43	SOLENOID POCV CARTRIDGE	0
09	41784.39	RELIEF VALVE CARTRIDGE 136 BAR	0
12	05.290.04	BONDED SEAL 3/8 BSP	9
13	01.099.01	ADAPTOR 3/8" BSP X 1/4" BSP	7
14	05.122.01	ADARTOR 1/2" BSP X 1/2" BSP	1
15	05.290.05	BONDED SEAL 1/2" BSP	2
16	07.605.01	RESTRICTOR 3/8" X 1/4" BSP	1
17	05.123.01	ADAPTOR 1/2" BSP X 3/8" BSP	1
18	07.605.01	RESTRICTOR 3/8" X 1/4" BSP	1
20	08.852.54	CETOP 3 HALF MOTOR SPOOL VALVE	0
21	41814.03	DECAL – 5 SERVICE EPP3 (NOT ILLUSTRATED)	1
76.271.08	TEST POINT EPP VALVES		
22	05.146.12	Q/R COUPLING 1/4" BSP MALE	1
23	05.290.02	BONDED SEAL 1/4" BSP	1
24	04.056.16	ADAPTOR T FMM 3/8" X 3/8" X 1/4"	1

*MAIN PART IN GROUP, RELATED PARTS HAVE SAME REFERENCE NUMBER



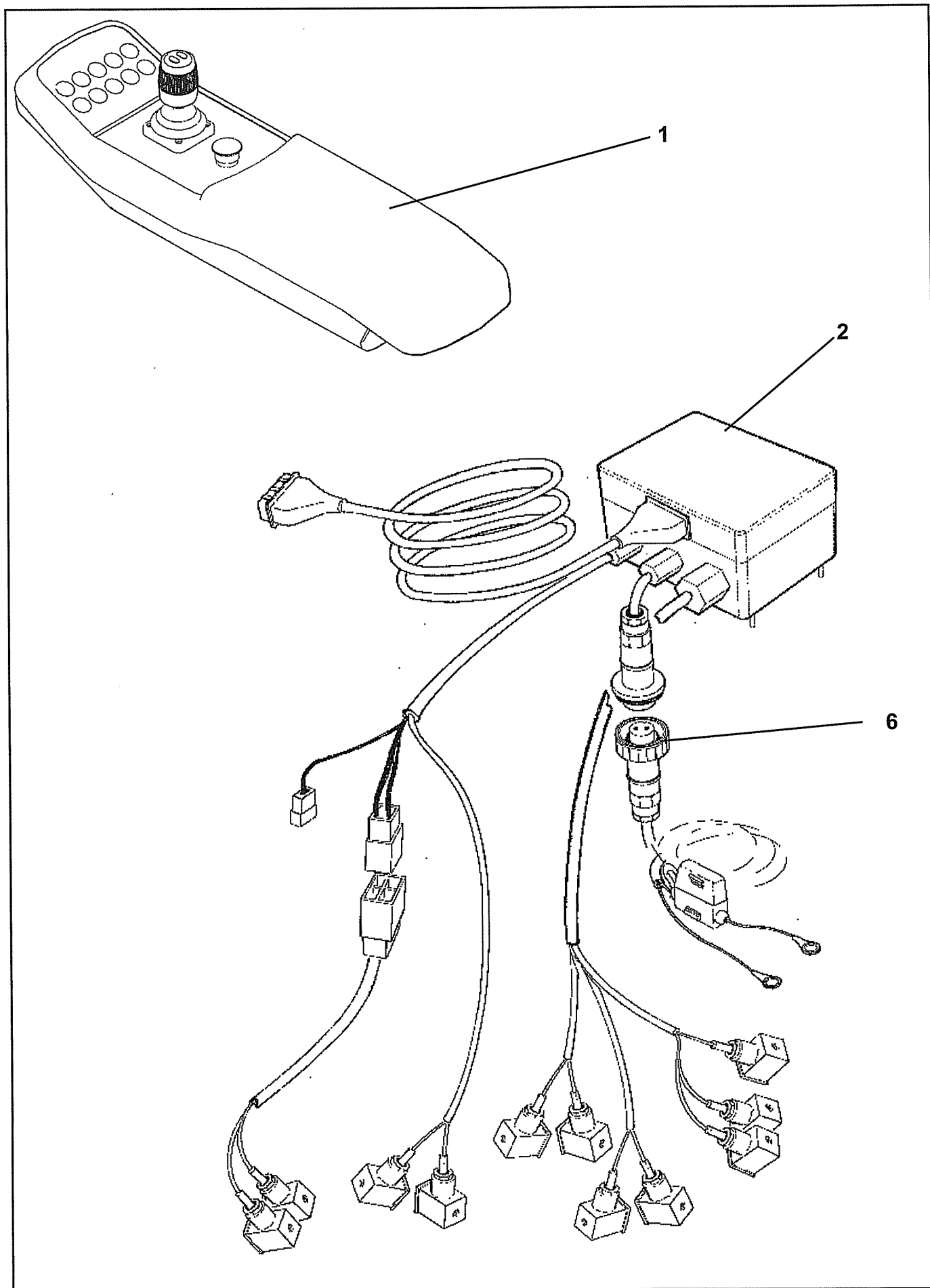
REF	PART NO.	DESCRIPTION	QTY
77.261.04	DMV VALVE SCHEDULE		
01	05.281.10	FLAT WASHER 6MM PLATED	4
01	05.282.07	SPRING WASHER 6MM PLATED	4
01	05.839.05	SETSCREW M6 X 16MM PLATED	4
01*	46622.02	VALVE ASSY 02-352784	1
02	46625.01	PLATE - VALVE MOUNTING 10MM	1
03	05.290.04	BONDED SEAL 3/8"BSP	8
04	05.290.05	BONDED SEAL 1/2"BSP	2
05	05.433.01	PLUG 3/8"BSP PLATED	1
06	01.099.01	ADAPTOR 3/8BSP X1/4BSP	4
07	04.056.50	ADAPTOR - TEE 1/2M-3/8M-1/2F	1
08	05.122.01	ADAPTOR 1/2" BSP X 1/2" BSP	1
09	05.123.01	ADAPTOR 1/2" BSP X 3/8" BSP	1
10	05.819.02	ADAPTOR 3/8"BSP MALE TO	4
11	05.835.04	ADAPTOR - SWIVEL 90 1/4"BSP MF	8
12	8131004	MF TEST UNION 3/8" BSP	1
13	05.124.01	ADAPTOR 3/8" BSP X 3/8" BSP	1
14	05.835.01	ADAPTOR-SWIVEL 90 3/8"BSP M/F	1

*MAIN PART IN GROUP, RELATED PARTS HAVE SAME REFERENCE NUMBER



REF	PART NO.	DESCRIPTION	QTY
77.133.01 CONTROL VALVE ASSY CABLE			
01	01.099.03	ADAPTOR 1/2BSP X 1/4BSP	6
02	04.056.16	ADAPTOR F/M/M 3/8X3/8X1/4 BSP	1
03	05.128.01	ADAPTOR 3/4" BSP X 3/8" BSP	1
04	05.146.12	Q/R COUPLING 1/4" BSP MALE	1
05	05.290.02	BONDED SEAL 1/4"BSP	1
06	05.290.05	BONDED SEAL 1/2"BSP	7
07	05.290.06	BONDED SEAL 3/4"BSP	2
08	05.264.23	SETSCREW M12 X 30MM PLATED (NOT ILLUSTRATED)	2
08	05.282.03	SPRING WASHER 12MM PLATED (NOT ILLUSTRATED)	2
08	05.286.03	NUT M12 PLATED (NOT ILLUSTRATED)	2
09	0342061	SKT CAPSCREW 1/4"UNCx3/4" BZP	8
09	05.282.02	SPRING WASHER 10MM PLATED	3
09	05.286.02	NUT M10 PLATED	3
09	05.291.18	BOLT M10 X 65 PLATED	3
09*	41335.02	VALVE ASSY-4 SPOOL	1
14	05.376.01	ADAPTOR 3/4"BSP X 1/2"BSP	1
17	46094.01	PLATE - VALVE MOUNTING	1
18	05.835.01	ADAPTOR-SWIVEL 90 3/8"BSP M/F	1
19	05.835.04	ADAPTOR - SWIVEL 90 1/4"BSP MF	7
20	05.835.05	ADAPTOR-SWIVEL 90 1/2"BSP M/F	1
21	05.123.01	ADAPTOR 1/2" BSP X 3/8" BSP	1

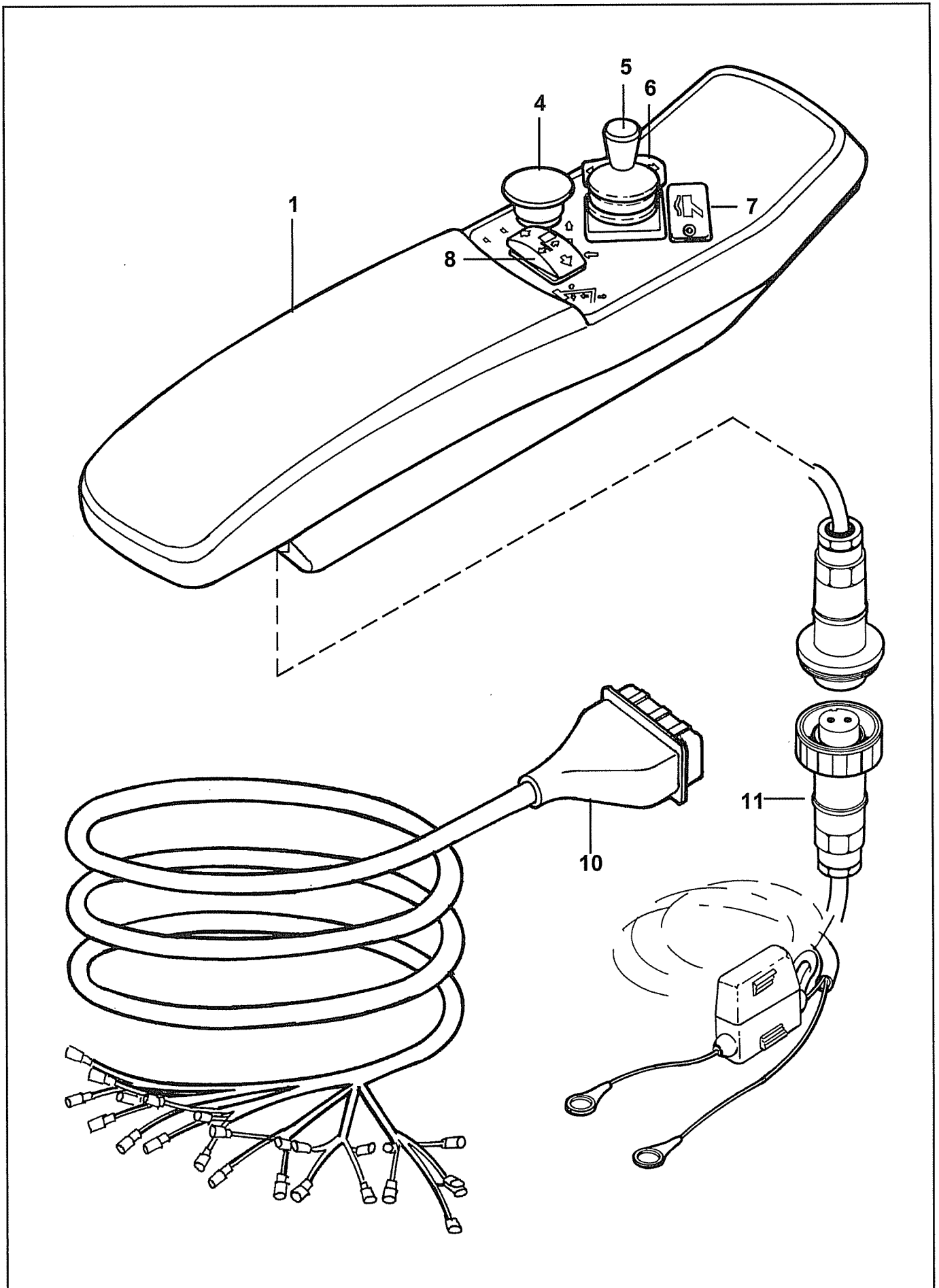
*MAIN PART IN GROUP, RELATED PARTS HAVE SAME REFERENCE NUMBER



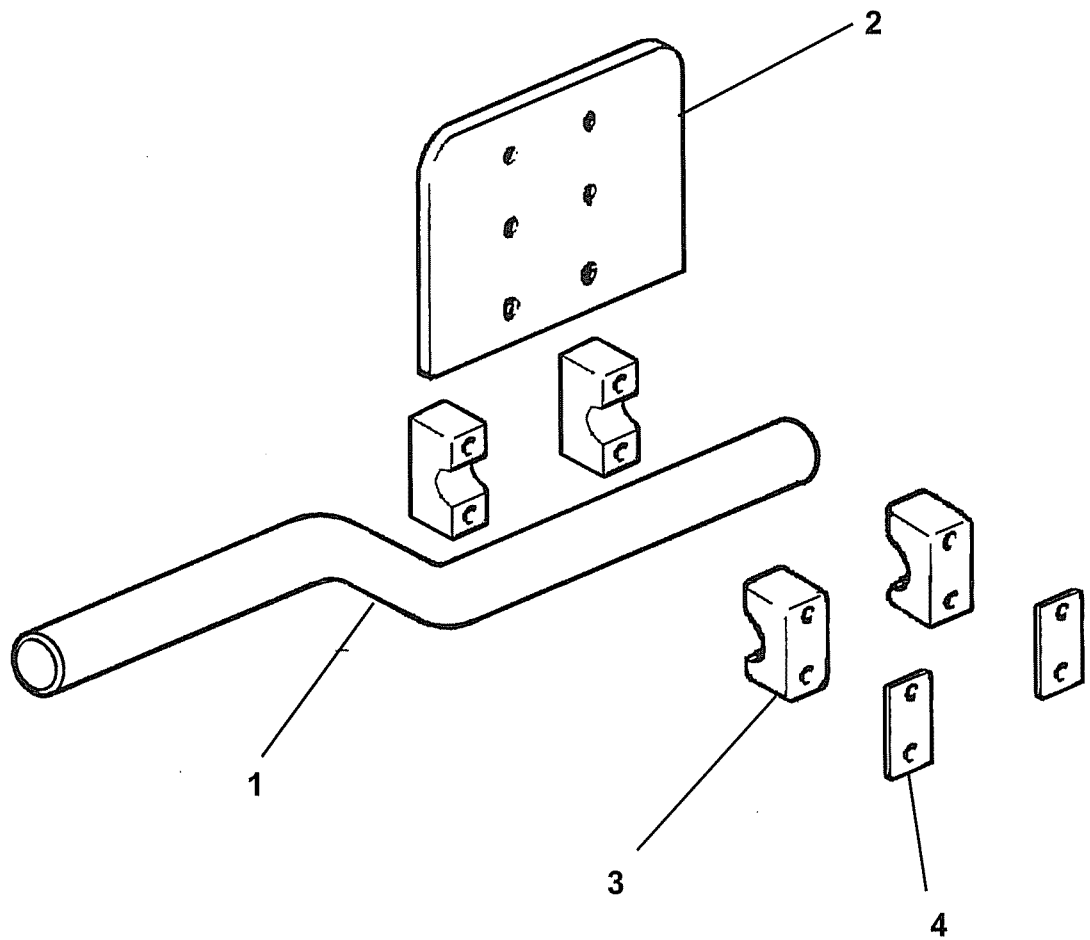
REF	PART NO.	DESCRIPTION	QTY
77.142.02 RCA ASSY – DCU 5SV+M			
01	45710.02	CONTROL BOX DCU	1
02	45715.03	ECU BOX ASSY – 5SV+M	1
03	45711.01	LOOM – CONTROL BOX	0
04	45712.03	ECU BOX – 5SV+M	0
05	45713.03	LOOM – ECU 5SV	0
06	08.987.01	CABLE ASSY – 2 CORE X 5.5M HVY	1
06	43034.01	BLADE FUSE 15 AMP	0
10	45714.01	LOOM – MOTOR CONTROL	0
11	03.100.01	STUD M10 X 34MM	2
11	05.282.02	SPRING WASHER 10MM PLATED	2
11	05.286.02	NUT M10 PLATED	2
11*	46137.01	BRACKET DCU (NOT ILLUSTRATED)	1

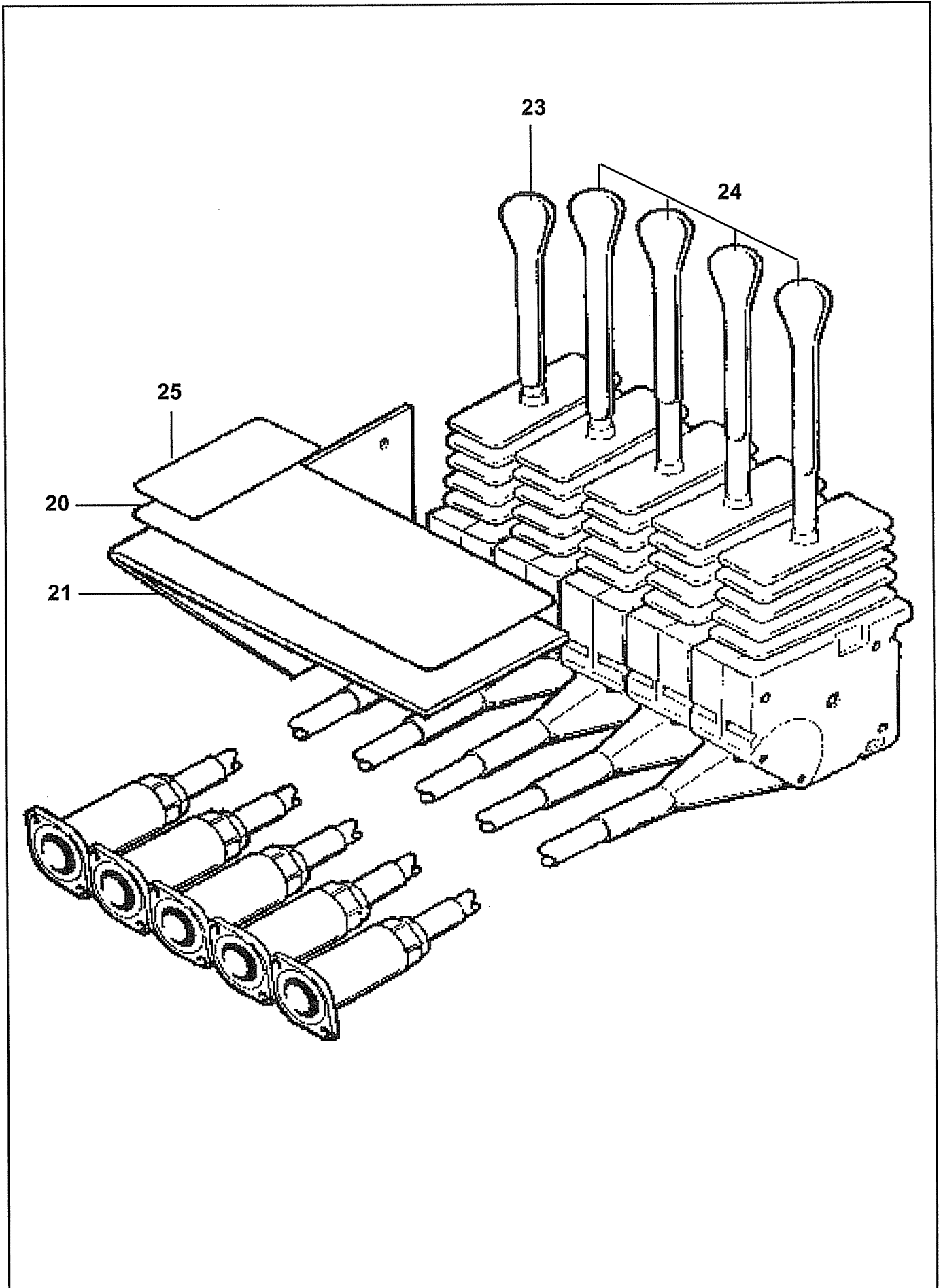
NOTE – FOR MACHINES WITH DMV TYPE VALVES ITEM 01 PART NO. 45710.02 IS REPLACED BY PART NO. 45710.04

*MAIN PART IN GROUP, RELATED PARTS HAVE SAME REFERENCE NUMBER



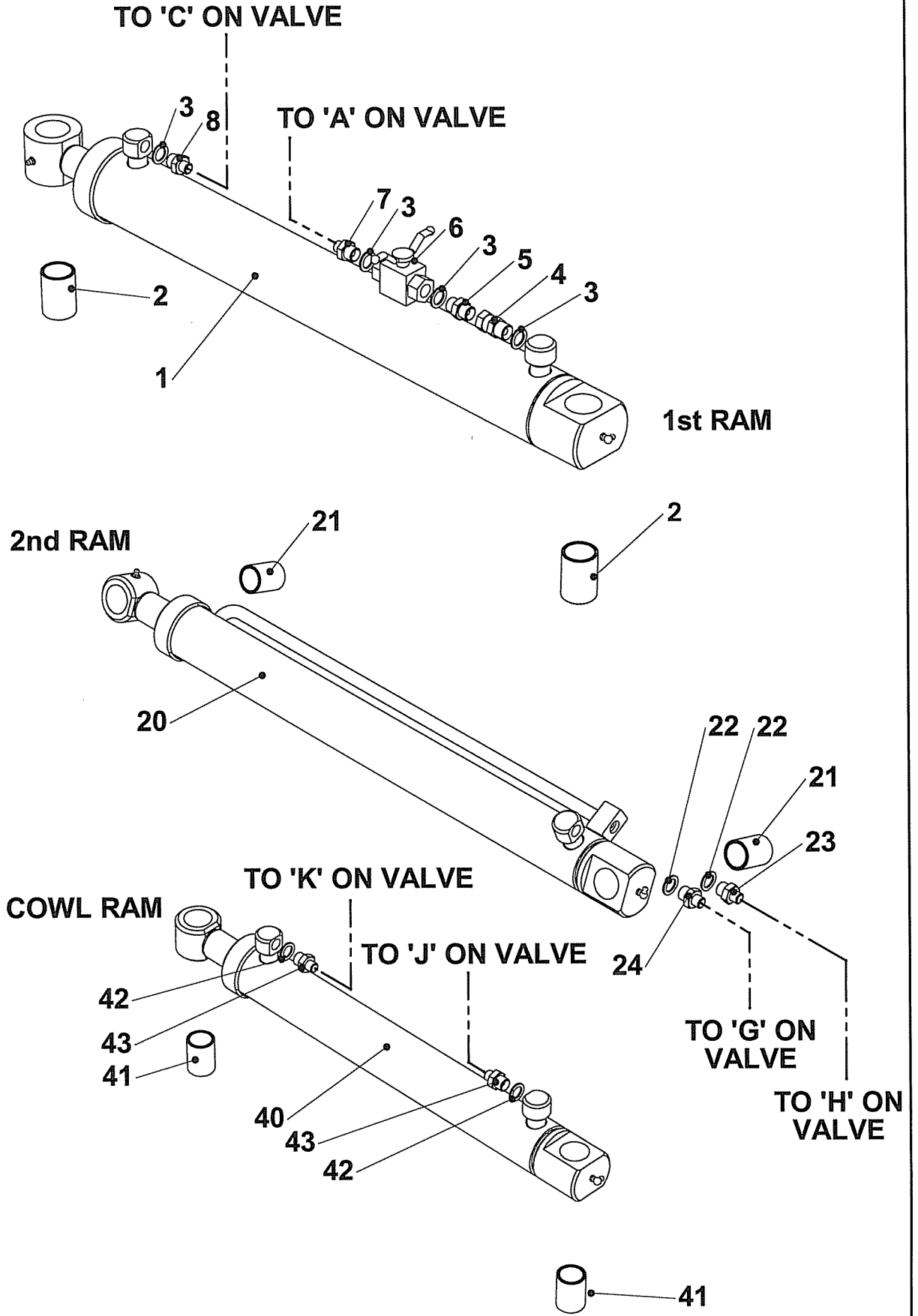
REF	PART NO.	DESCRIPTION	QTY
76.426.11 EPPII 5SV +HF RCA ASY LH			
01	42226.15	CONTROL BOX 5 SERVICE LH	1
02	42226.96	DECAL SET EPPII LH	0
03	42226.84	MAIN PCB ASSY EPPII	0
04	41786.33	STOP SWITCH	0
05	41786.34	JOYSTICK ASSY	0
06	41786.35	SWITCH ASSY COWL	0
07	41786.38	SWITCH ASSY HEAD FLOAT	0
08	41786.36	SWITCH ASSY SLEW	0
09	41786.37	SWITCH ASSY TELE	0
10	42197.13	WIRE LOOM	1
11	08.987.01	CABLE ASSY - 2 CORE X 5.5M HVY	1
76.426.12 EPPII RCA ASSY RH 7435			
01	42226.16	CONTROL BOX 5 SERVICE RH	1
02	42226.95	DECAL SET EPPII RH	0
03	42226.84	MAIN PCB ASSY EPPII	0
04	41786.33	STOP SWITCH	0
05	41786.34	JOYSTICK ASSY	0
06	41786.35	SWITCH ASSY COWL	0
07	41786.38	SWITCH ASSY HEAD FLOAT	0
08	41786.36	SWITCH ASSY SLEW	0
09	41786.37	SWITCH ASSY TELE	0
10	42197.13	WIRE LOOM	1
11	08.987.01	CABLE ASSY - 2 CORE X 5.5M HVY	1





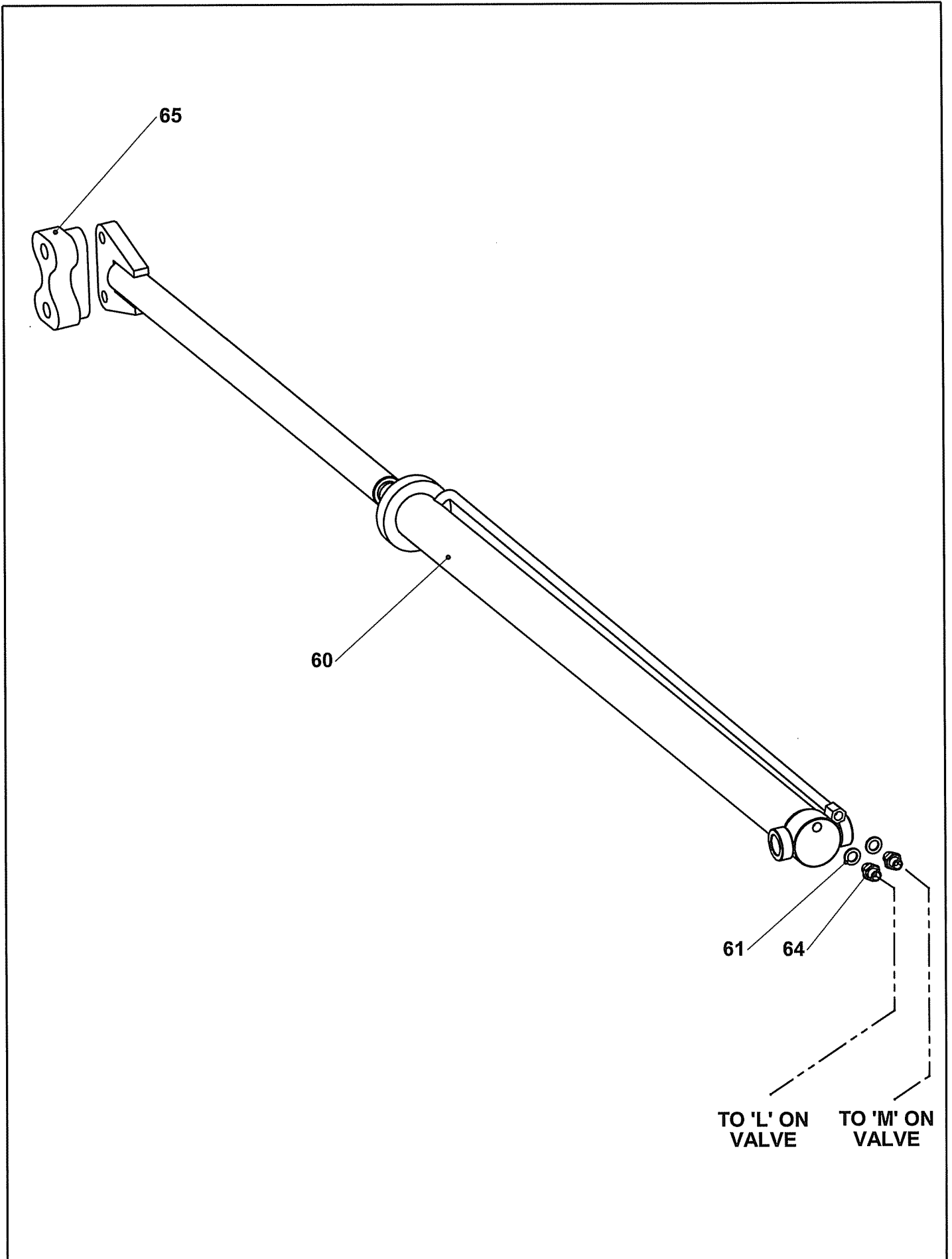
REF	PART NO	DESCRIPTION	QTY
77.135.01 REMOTE CTRL CABLE LH			
20	09.916.01	DECAL - LEVER OP. 5 LEVER LH	1
21	05.839.03	SETSCREW M8 X 16MM PLATED	2
21	05.948.07	WING NUT M8 - PLATED	2
21*	09.969.01	BRACKET-5 LEVER MOUNTING LH	1
23	04.282.71	STUD - M6 X 233 PLATED	3
23	05.281.10	FLAT WASHER 6MM PLATED	3
23	05.282.07	SPRING WASHER 6MM PLATED	3
23	05.286.10	NUT M6 PLATED	6
23*	09.968.10	CABLE ASSY TMC - 4.0M RED SHRT	1
24	09.968.12	CABLE ASSY TMC 3.0M BLK	4

MAIN PART IN GROUP, RELATED PARTS HAVE SAME REFERENCE NUMBER



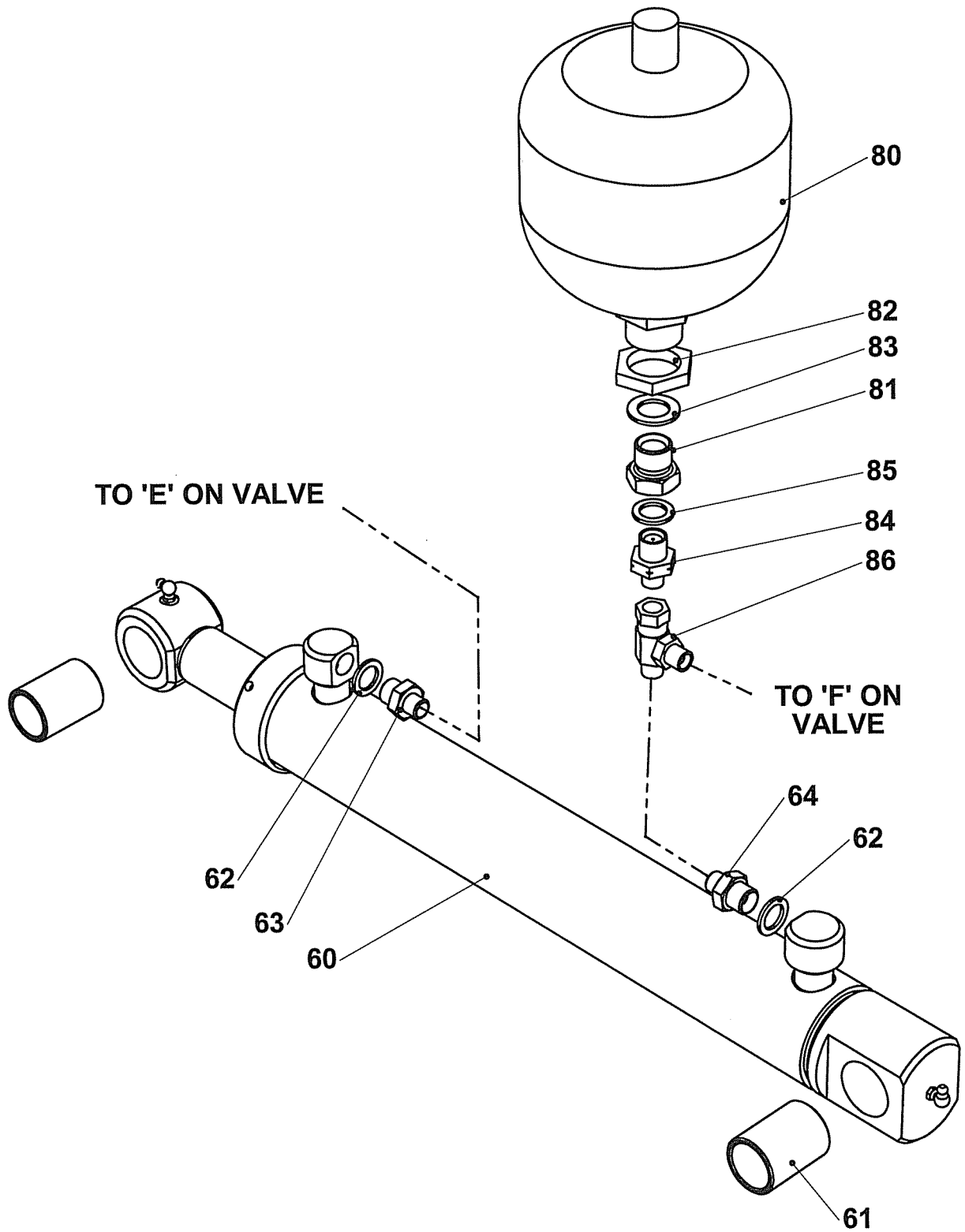
REF	PART NO.	DESCRIPTION	QTY
77.104.05 RAM ASSY - FIRST			
01	05.952.01	TENSION PIN	1
01	05.953.05	GREASE NIPPLE M6 X 90DEG	1
01*	46207.01	RAM ASSY D/A	1
02	08.297.08	PLASTIC BUSH - 42 X 35 X 60	2
03	05.290.04	BONDED SEAL 3/8" BSP	4
04	02.714.01	ADAPTOR-SWIVEL ST 3/8BSP M/F	1
06	08.200.01	VALVE - ISOLATING 3/8" BSP	1
07	01.099.01	ADAPTOR 3/8 BSP X1/4 BSP	2
08	05.124.01	ADAPTOR 3/8" BSP X 3/8" BSP	1
09	8107020	SPEED CONTROL VALVE	1
77.114.03/04 RAM ASSY - SECOND			
20	05.953.01	GREASE NIPPLE M6	1
20	05.953.05	GREASE NIPPLE M6 X 90DEG	1
20*	46002.02	RAM ASSY D/A	1
21	08.297.08	PLASTIC BUSH - 42 X 35 X 60	2
22	05.290.04	BONDED SEAL 3/8" BSP	2
23	01.099.01	ADAPTOR 3/8 BSP X1/4 BSP	1
77.113.01/02 RAM ASSY - COWL			
40	05.953.01	GREASE NIPPLE M6	1
40	05.953.05	GREASE NIPPLE M6 X 90DEG	1
40*	46002.02	RAM ASSY D/A	1
41	08.297.14	PLASTIC BUSH - 37 X 30 - 50	2
42	05.290.04	BONDED SEAL 3/8" BSP	2
43	01.099.01	ADAPTOR 3/8 BSP X1/4 BSP	2

*MAIN PART IN GROUP, RELATED PARTS HAVE SAME REFERENCE NUMBER



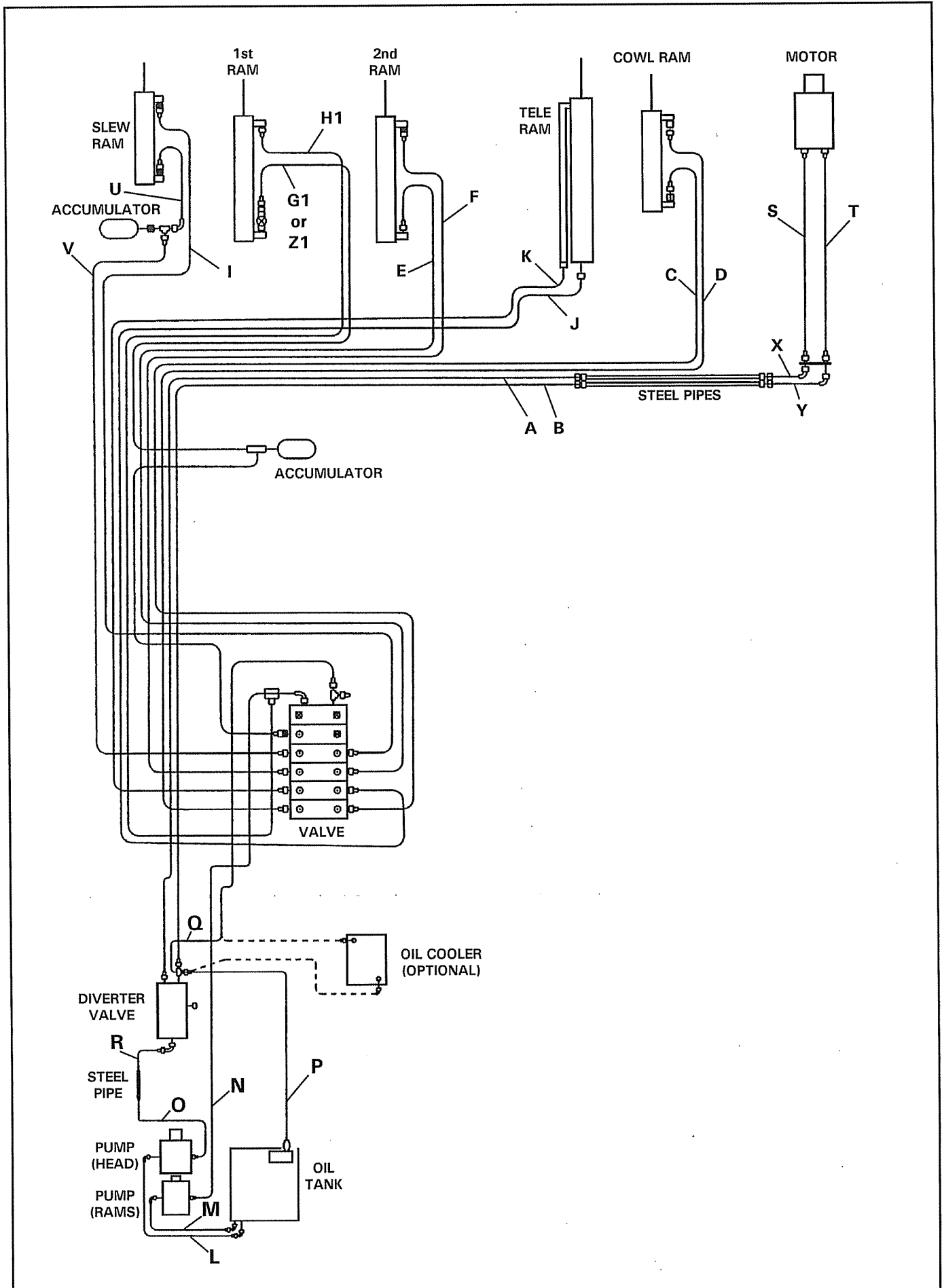
REF	PART NO.	DESCRIPTION	QTY
77.068.02 RAM CIRCUIT TELE B64TP 8273			
60*	09.987.10	RAM ASSY 50 BORE X 900 STK	1
60	8699188	SEAL KIT FOR 09987 RAMS	0
61	05.290.02	BONDED SEAL 1/4"BSP	2
64	05.129.01	ADAPTOR 1/4 BSP X 1/4 BSP	2
65	05.281.04	FLAT WASHER 16MM PLATED	2
65	05.282.04	SPRING WASHER 16MM PLATED	2
65*	41823.01	SPACER - RAM MOUNTING	1
65	05.286.04	NUT M16 PLATED	2
65	05.839.38	BOLT M16 X 120 (10.9 GRADE)	2

*MAIN PART IN GROUP, RELATED PARTS HAVE SAME REFERENCE NUMBER

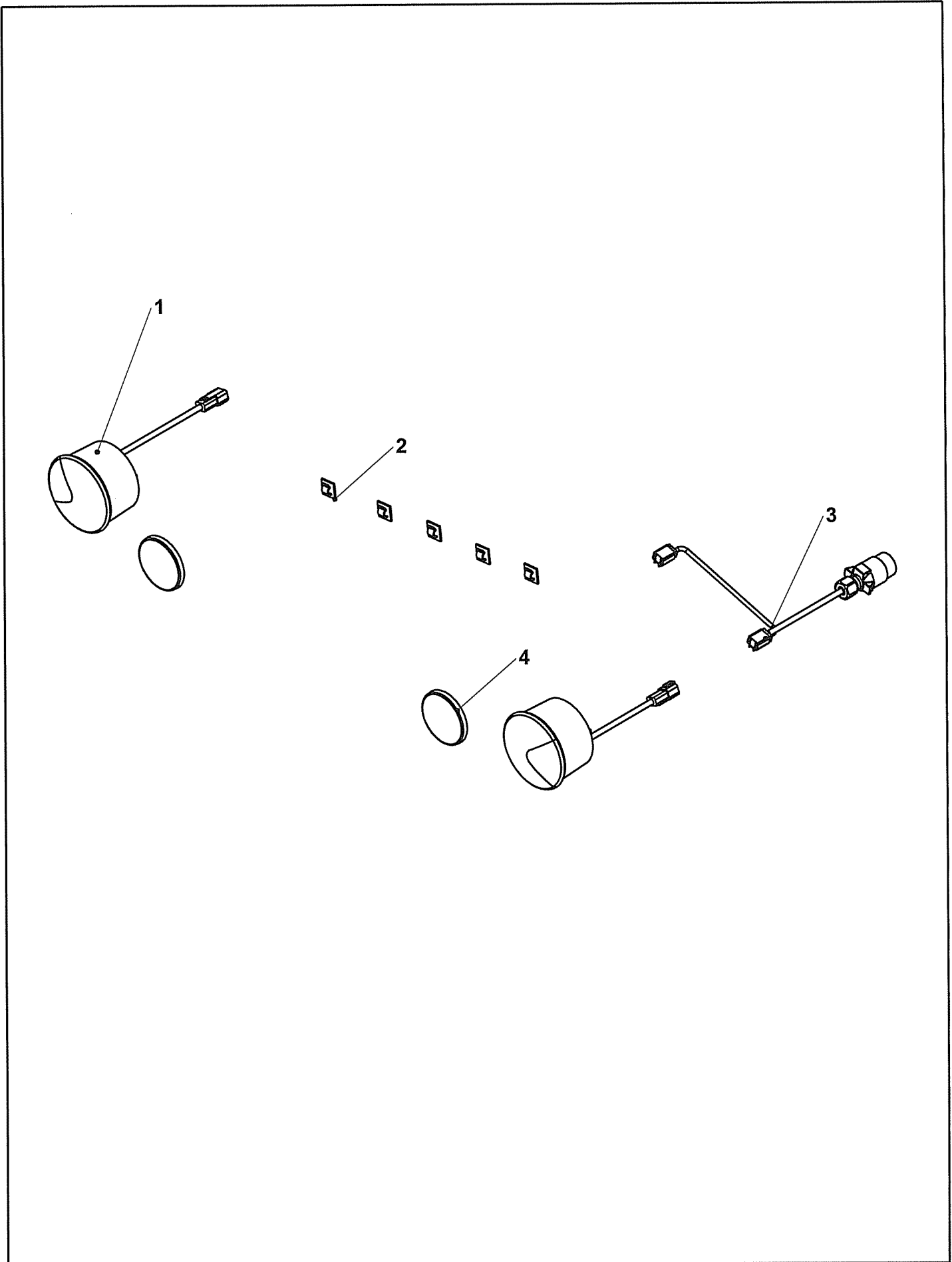


REF	PART NO.	DESCRIPTION	QTY
77.111.02 RAM ASSY - SLEW			
60	05.953.01	GREASE NIPPLE M6	1
60	05.953.05	GREASE NIPPLE M6 X 90DEG	1
60*	45942.01	RAM ASSY D/A 60 BORE X 340 STK	1
61	08.297.14	PLASTIC BUSH 37 X 30 X 50	2
62	05.290.04	BONDED SEAL 3/8" BSP	2
63	03.028.14	RESTRICTOR 3/8 BSP X 1/4 BSP	1
64	03.028.08	RESTRICTOR 3/8 BSP X 1/4 BSP	1
77.117.01 ACCUMULATOR - SLEW ASSY			
80	8126043	ACCUMULATOR 1.4LT - 90 BAR	1
81	8126035	M33 BULKHEAD NUT 'THIN'	1
82	8650322	M22 BONDED SEAL	1
83	8581284	ADAPTOR M22 X 3/8" BSP MF	1
84	03.028.08	RESTRICTOR 3/8" X 1/4" BSP 1.27	1
85	05.290.04	BONDED SEAL 3/8" BSP	1
86	04.056.10	ADAPTOR - TEE 1/4" BSP F/M/M	1

*MAIN PART IN GROUP, RELATED PARTS HAVE SAME REFERENCE NUMBER

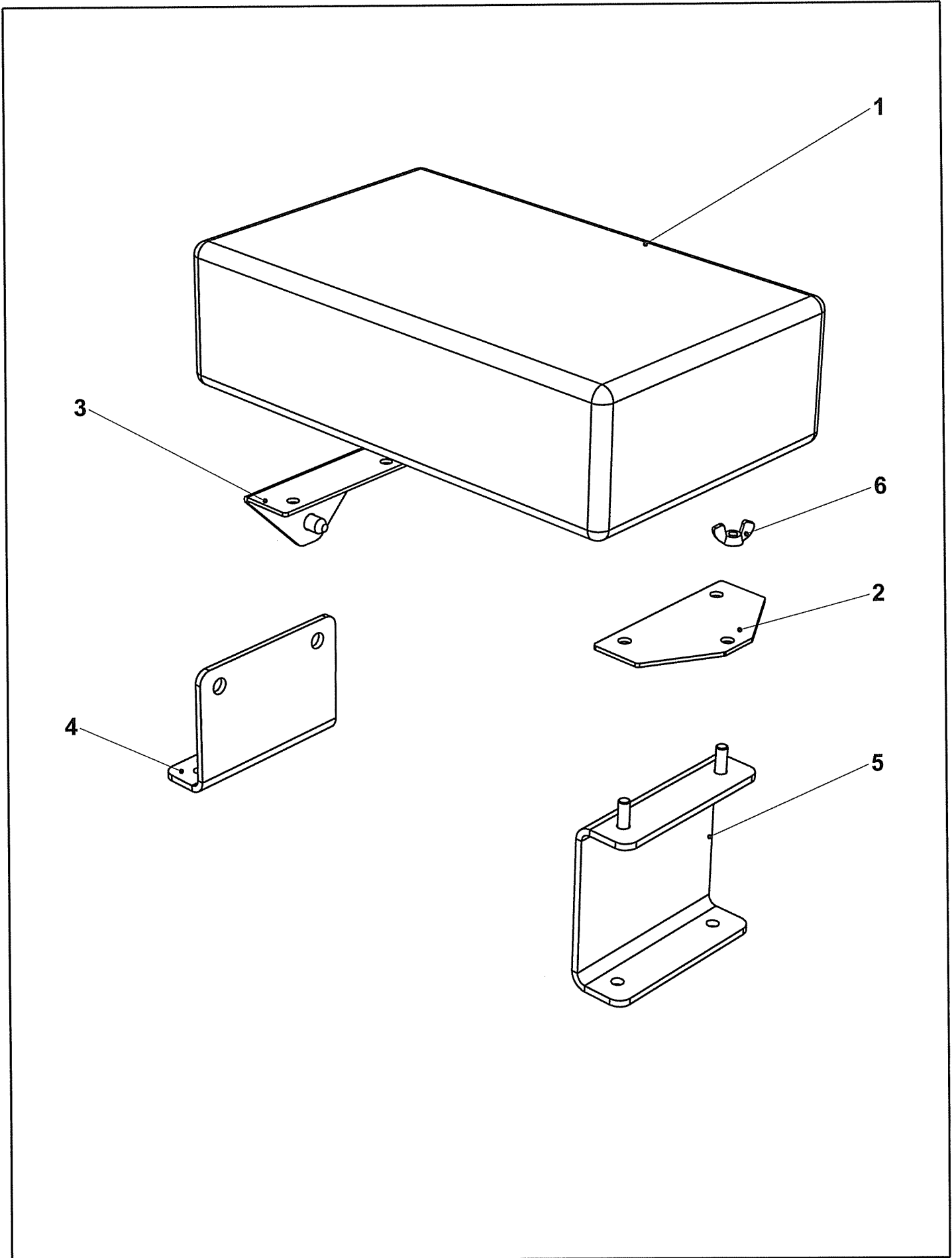


REF	PART NO.	DESCRIPTION	QTY
46140.25 HOSE KIT FOR FALCON 6P (LH)			
A	10.012.47	HOSE 1" BSP ST/90 X 3700 H.P.	1
B	10.012.47	HOSE 1" BSP ST/90 X 3700 H.P.	1
C	10.001.76	HOSE 1/4" BSP ST/ST X 6600	1
D	10.001.76	HOSE 1/4" BSP ST/ST X 6600	1
E	10.001.40	HOSE 1/4" BSP STXST S.SEAL 3000	1
F	10.001.40	HOSE 1/4" BSP STXST S.SEAL 3000	1
G	10.001.26	HOSE 3/8" BSP STXST S.SEAL 1600	1
H	10.001.26	HOSE 3/8" BSP STXST S.SEAL 1600	1
J	10.001.56	HOSE 1/4" BSP STXST S.SEAL 4600	1
K	10.001.56	HOSE 1/4" BSP STXST S.SEAL 4600	1
L	10.024.04	HOSE 1.5" BSP STX90 FLANGE 600	1
M-	10.012.12	HOSE 1" BSP STX90 S.SEAL 500	1
N	10.004.25	HOSE 3/8" BSP STX90 SS EAL 1500	1
O	10.022.47	HOSE 1" BSP 90/ST FLANGE 350	1
P	10.012.11	HOSE 1" BSP STX90 S.SEAL 550	1
Q	10.006.21	HOSE 1/2" BSP STX90 S.SEAL 1100	1
R			
S	10.011.26	HOSE 1" BSP STXST S SEAL 1600	1
T	10.011.26	HOSE 1" BSP STXST S SEAL.1600	1
V	10.011.29	HOSE 1" BSP STXST S.SEAL 1900	1
W	10.011.29	HOSE 1" BSP STXST S.SEAL 1900	1
X	10.025.16	HOSE 1" BSP ST X 135 S SEAL 800	1
Y	10.025.18	HOSE 1" BSP ST X 135 S SEAL 900	1
Z	10.001.24	HOSE 1/4" BSP STXST S.SEAL 1400	1



REF	PART NO.	DESCRIPTION	QTY
45662.03/04 LIGHTING KIT RH/LH (FALCON)			
01	05.281.10	FLAT WASHER 6MM PLATED	4
01	05.282.07	SPRING WASHER 6MM PLATED	4
01	05.286.10	NUT M6 PLATED	4
01*	45326.01	LIGHT – HELLA 2SD 964 169 111	2
02	43357.01	CABLE CLIP – SELF ADHESIVE	10
03	45594.04	WIRING LOOM RH (FALCON)	1
03	45994.03	WIRING LOOM LH (FALCON)	1
04	45661.03	REFLECTOR SELF ADHESIVE	2

*MAIN PART IN GROUP, RELATED PARTS HAVE SAME REFERENCE NUMBER



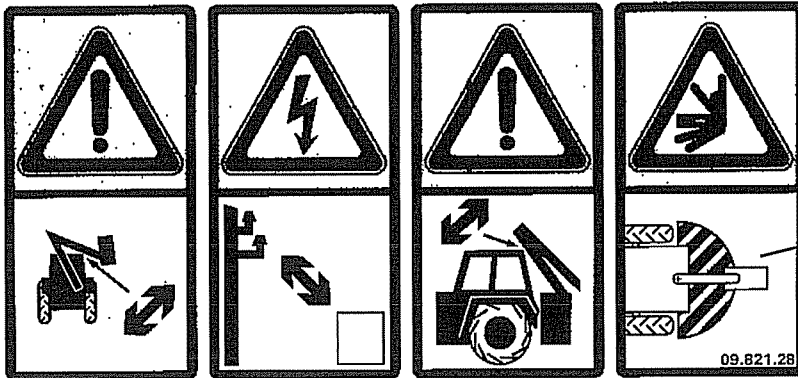
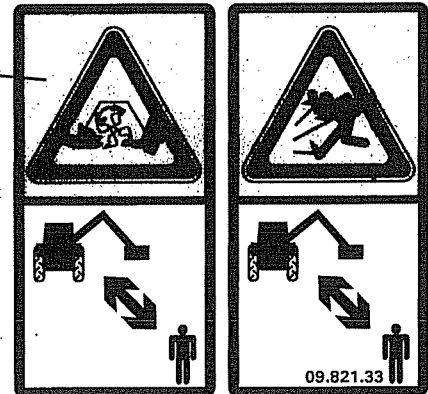
REF	PART NO.	DESCRIPTION	QTY
77.145.01 TOOL CASE ASSY			
01	05.264.01	SETSCREW M8 X 20MM PLATED	4
01	05.281.01	FLAT WASHER 8MM PLATED	4
01	05.287.01	SELF-LOCKING NUT M8 PLATED	4
01*	46059.02	TOOL CASE	1
02	46142.01	PLATE TOOL CASE MTG	1
03	46147.01	SUPPORT – TOOLCASE	1
04	46145.02	PLATE – TOOLCASE MOUNTING	1
05	46145.01	SUPPORT – TOOL BOX 8852	1
06	05.948.07	WING NUT M8 – PLATED	1

*MAIN PART IN GROUP, RELATED PARTS HAVE SAME REFERENCE NUMBER



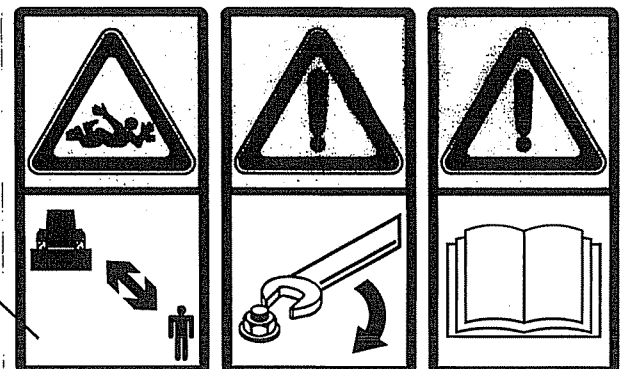
32

5

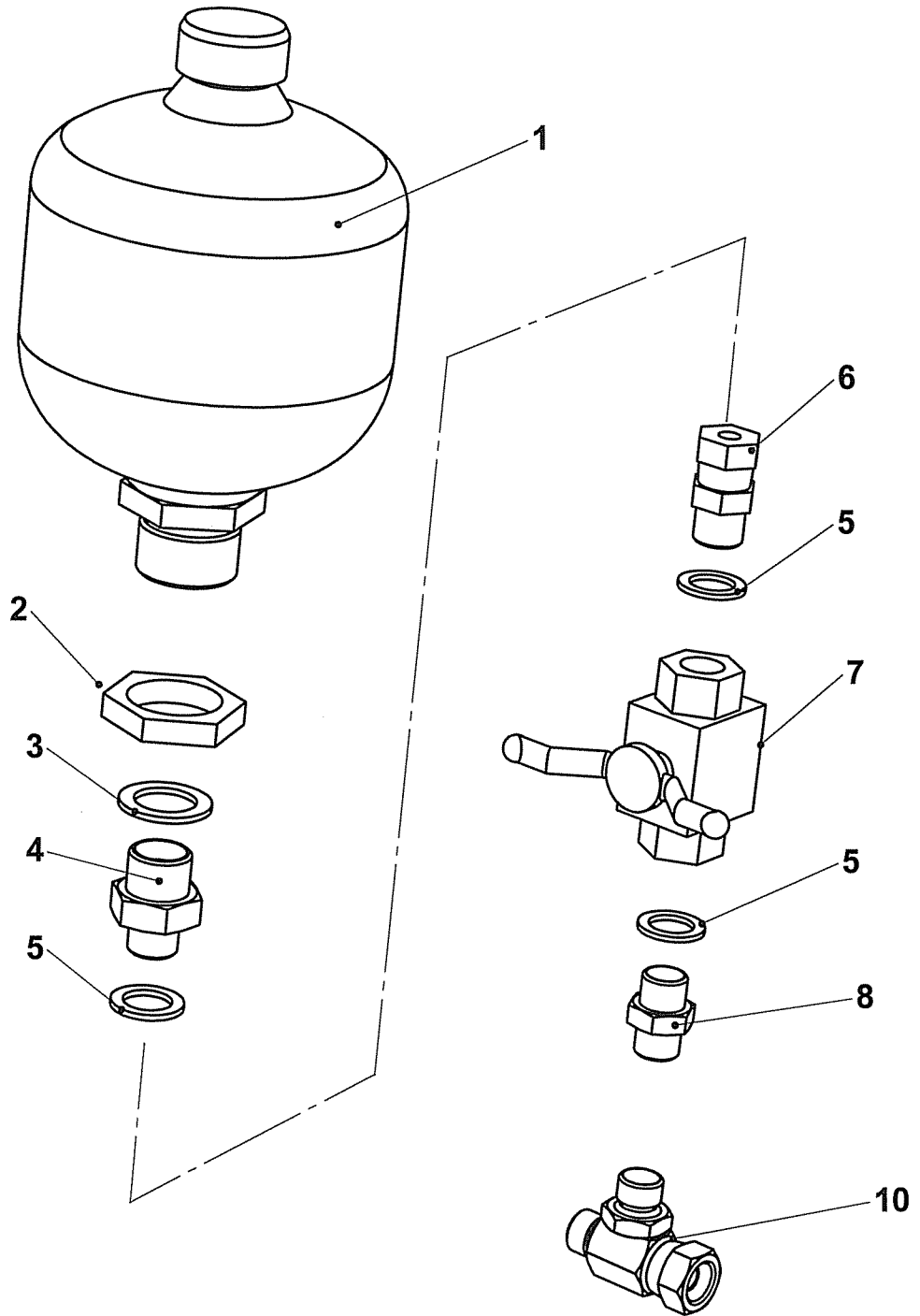


3

6

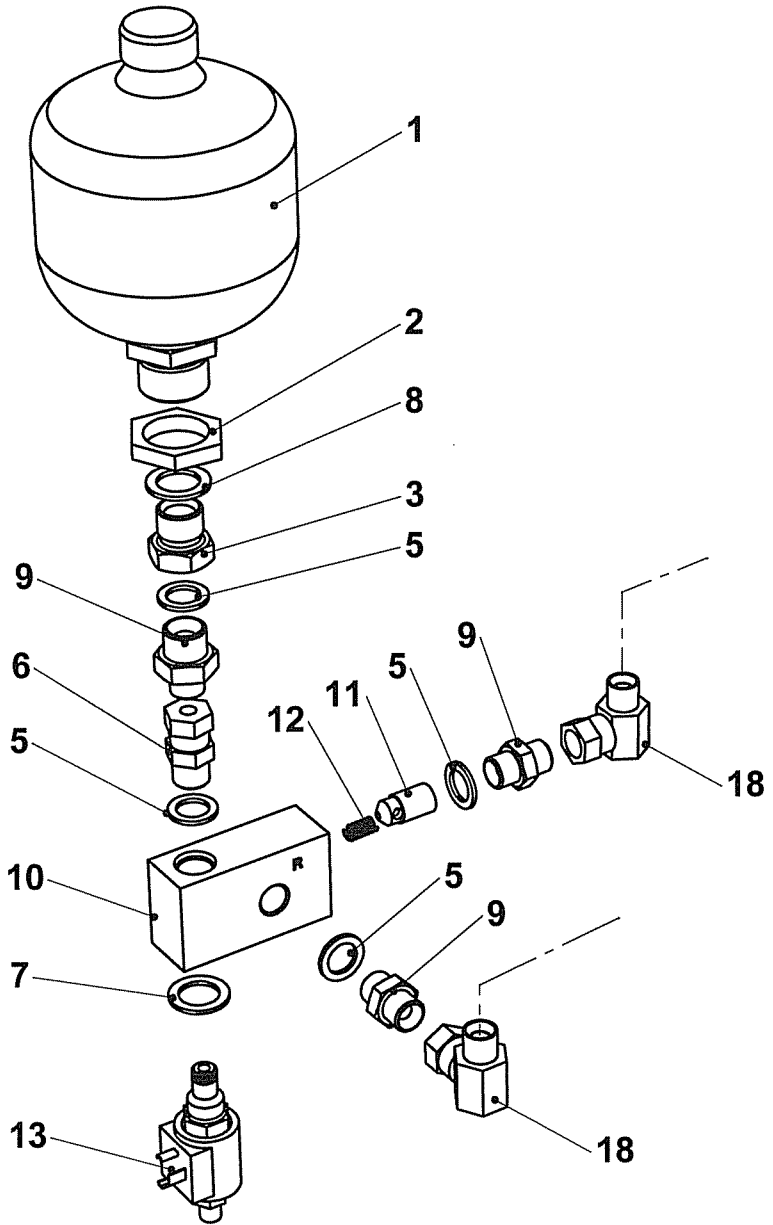


REF	PART NO.	DESCRIPTION	QTY
77.138.01 DECALS ENGINEERING			
1	08.632.01	DECAL - TRANSPORT	1
2	09.811.04	DECAL - MAX PTO SPEED 540 ACW	1
3	09.821.28	DECALS-EURO DECAL MINIATURISED	1
4	09.821.32	DECALS-EURO DECAL MINIATURISED	1
5	09.821.33	DECALS-EURO DECAL MINIATURISED	1
6	09.821.34	DECALS-EURO DECAL MINIATURISED	1
7	09.843.06	DECAL - LIFT POINT 1500 KG	1
8	09.845.01	DECAL - APPROVED OILS	1
9	09.846.02	DECAL - OIL FILTER CHANGE	
77.137.01/02 DECALS MARKETING FALCON 6			
21	45645.01	DECAL - BOMFORD (72MM FONT)	1
22	45645.02	DECAL - BOMFORD (50MM FONT)	1



REF	PART NO.	DESCRIPTION	QTY
77.122.02 ARM FLOAT KIT STD FALCON 8852			
01	41451.02	ACCUMULATOR WITH EXT THD	1
02	8126035	M33 BULKHEAD NUT 'THIN'	1
03	05.290.05	BONDED SEAL 1/2"BSP	1
04	05.123.01	ADAPTOR 1/2" BSP X 3/8" BSP	1
05	05.290.04	BONDED SEAL 3/8"BSP	3
06	02.714.01	ADAPTOR-SWIVEL ST 3/8BSP M/F	1
07	08.200.01	VALVE - ISOLATING 3/8" BSP	1
08	05.124.01	ADAPTOR 3/8" BSP X 3/8" BSP	1
09	10.004.21	HOSE 3/8"BSP STX90 S.SEAL 1100	1
10	11.068.69	ADAPTOR-TEE 3/8"Fx3/8"Mx3/8"M	1

MAIN PART IN GROUP, RELATED PARTS HAVE SAME REFERENCE NUMBER



REF	PART NO.	DESCRIPTION	QTY
77.122.01 ARM FLOAT KIT ELECTRIC 8852			
01	41715.03	ACCUMULATOR - 1.4LT (30 BAR)	1
02	8126035	M33 BULKHEAD NUT 'THIN'	1
03	8581284	ADAPTOR M22 X 3/8"BSP MF	1
05	05.290.04	BONDED SEAL 3/8"BSP	4
06	02.714.01	ADAPTOR-SWIVEL ST 3/8BSP M/F	1
07	05.290.05	BONDED SEAL 1/2"BSP	1
08	8650322	M22 BONDED SEAL	1
09	05.124.01	ADAPTOR 3/8" BSP X 3/8" BSP	3
10	8126287	VALVE BLOCK-LIFT FLOAT	1
11	8126037	RESPONSE PISTON	1
12	8116011	SPRING	1
13	8130183	POPPET VALVE NC	1
14	1290061	OPERATION DECAL	1
15	45720.01	LOOM EXTENSION - HEAD FLOAT	1
16	42404.03	CABLE ASSY. - ARM FLOAT	1
17	10.004.21	HOSE 3/8"BSP STX90 S.SEAL 1100	1
18	05.835.01	ADAPTOR-SWIVEL 90 3/8"BSP M/F	2

MAIN PART IN GROUP, RELATED PARTS HAVE SAME REFERENCE NUMBER