

PM969

DYNA-DRIVE

2000S, 2600S, 3000S, 4000S, 5000S

GROUND DRIVEN CULTIVATOR

**PARTS MANUAL
ISSUE 4**

IMPORTANT

NOTE HERE THE SERIAL NUMBER OF YOUR MACHINE AND ALWAYS QUOTE IT IN ANY COMMUNICATION WITH US OR YOUR DEALER. THIS IS PARTICULARLY IMPORTANT WHEN ORDERING SPARES. REMEMBER TO INCLUDE ALL NUMBERS AND LETTERS.

MACHINE SERIAL NUMBERS _____

THE INFORMATION GIVEN THROUGHOUT THIS MANUAL IS CORRECT AT THE TIME OF PUBLICATION. HOWEVER, IN THE COURSE OF CONSTANT DEVELOPMENT OF BOMFORD TURNER MACHINES, CHANGES IN SPECIFICATION ARE INEVITABLE. SHOULD YOU FIND THE INFORMATION GIVEN IN THIS BOOK TO BE AT VARIANCE WITH THE MACHINE IN YOUR POSSESSION, YOU ARE ADVISED TO CONTACT THE BOMFORD TURNER SERVICE DEPARTMENT WHERE UP-TO-DATE INFORMATION WILL BE PROVIDED.

THE MANUAL CAN CONTAIN STANDARD AND OPTIONAL FEATURES AND IS NOT TO BE USED AS A MACHINE SPECIFICATION.

THE MACHINE HAS BEEN TESTED AND IS CONSIDERED SAFE IF CAREFULLY USED. ENSURE YOUR OPERATOR IS PROPERLY TRAINED IN ITS USE AND MAINTENANCE.

IMPORTANT

NOTEZ ICI LES NUMEROS DE SERIE DE VOTRE MACHINE ET MENTIONNEZ LES DANS TOUTE COMMUNICATION AVEC NOS SERVICES OU VOTRE REVENDEUR. CECI EST IMPORTANT POUR LA COMMANDE DE PIECES DETACHEES. PENSEZ A NOTER TOUS LES NUMEROS ET TOUTES LES LETTERS.

NUMEROS DE SERIE DE LA MACHINE _____

LES INFORMATIONS DONNEES DANS CE MANUEL SONT CORRECTES CEPENDANT, DU FAIT DE DEVELOPPEMENT CONSTANT DES MACHINES BOMFORD TURNER.

CHANGEMENTS DANS LES CARACTERISTIQUES SONT INEVITABLES.

SI VOUS TROUVEZ QUE LES INFORMATIONS DONNEES NE CORRESPONDENT PAS A VOTRE MACHINE VEUILLEZ CONTACTER LE SERVICE DES REPARATIONS OU DES INFORMATIONS PLUS RECENTES VOUS SERONT DONNEES. CE MANUEL PEUT MONTRER DES CARACTERISTIQUES OPTIONNELLES ET NE PEUT PAS ETRE CONSIDERE COMME SPECIFICATION DE LA MACHINE.

CETTE MACHINE A ETE TESTEE, ET ELLE EST CONSIDEREE COMME FIABLE A CONDITION D'UNE BONNE UTILISATION. ASSUREZ-VOUS QUE VOTRE OPERATEUR EST QUALIFIE EN CE QUI CONCERNE L'UTILISATION DE LA MACHINE AINSI QUE SON ENTRETIEN.

WICHTIG

TRAGEN SIE HIER DIE SERIENNUMMERN IHRER MASCHINE EIN UND GEBEN SIE DIESE IMMER AN, WENN SIE SICH AN UNS ODER IHREN HÄNDLER WENDEN. DAS IST BESONDERS BEI ERSATZTEILBESTELLUNGEN WICHTIG. VERGESSEN SIE NICHT, ALLE ZAHLEN UND BUCHSTABEN ZU NOTIEREN.

SERIENNUMMERN DER MASCHINE _____

DIE ANGABEN IN DIESEM HANDBUCH SIND BEI VERÖFFENTLICHUNG KORREKT. AUFGRUND DER KONSTANTEN WEITERENTWICKLUNG VON BOMFORD TURNER MASCHINEN SIND JEDOCHÄNDERUGDEN IN DER SPEZIFIKATION UNVERMEIDLICH. WENN DIE INFORMATION IN DIESEM HANDBUCH NICHT MIT IHRER MASCHINE ÜBEREINSTIMMEN, NEHMEN SIE BITTE KONTAKT MIT DER BOMFORD TURNER KUNDENDIENSTABTEILUNG AUF, DIE IHNEN GERNE DIE AKTUELLEN INFORMATION ZUKOMMEN LÄSST.

DAS HANDBUCH KANN SOWOHL BESCHREIBUNGEN FÜR DIE STANDARD AUSFÜHRUNG ALS AUCH FÜR ZUBEHÖR ENTHALTEN UND IST NICHT ALS MASCHINENSPEZIFIKATION ZU VERWENDET.

DIE MASCHINE IST GETESTET UND BEI SACHGEMÄSSEM BETRIEB ALS SICHER BEFUNDEN WORDEN. SORGEN SIE DAFÜR, DASS IHR BEDIENPERSONAL IN ANWENDUNG UND WARTUNG RICHTIG GESCHULT WIRD.

NOTE: PAGE AND ILLUSTRATION NUMBERS SHOWN ARE USED ONLY FOR REFERENCE PURPOSES AND SHOULD NOT BE USED FOR ORDERING SPARE PARTS. PLEASE GIVE FULL PART NUMBER AND DESCRIPTION WHEN ORDERING SPARE PARTS.

FOR MACHINES WITH SERIAL NUMBERS COMMENCING FROM:

MAINFRAME (ALL MODELS)

PAGE NO.	TITLE
*2-1 to 2-5	MAINFRAMES
3-1 to 3-3	TRANSMISSION
*4-1 to 4-4	ROTOR SHAFT & BEARING ASSEMBLIES (2000, 2600 AND 3000)
*5-1 to 5-4	ROTOR SHAFT & BEARING ASSEMBLIES (4000 AND 5000)
6-1 to 6-2	DECALS

* WHERE A PARTS LIST HAS NECESSITATED TWO, THREE AND FOUR PAGES OF TEXT THE CORRESPONDING ILLUSTRATION HAS BEEN REPEATED ON THE FACING PAGE PURELY FOR CONVENIENT REFERENCING.

IMPORTANT

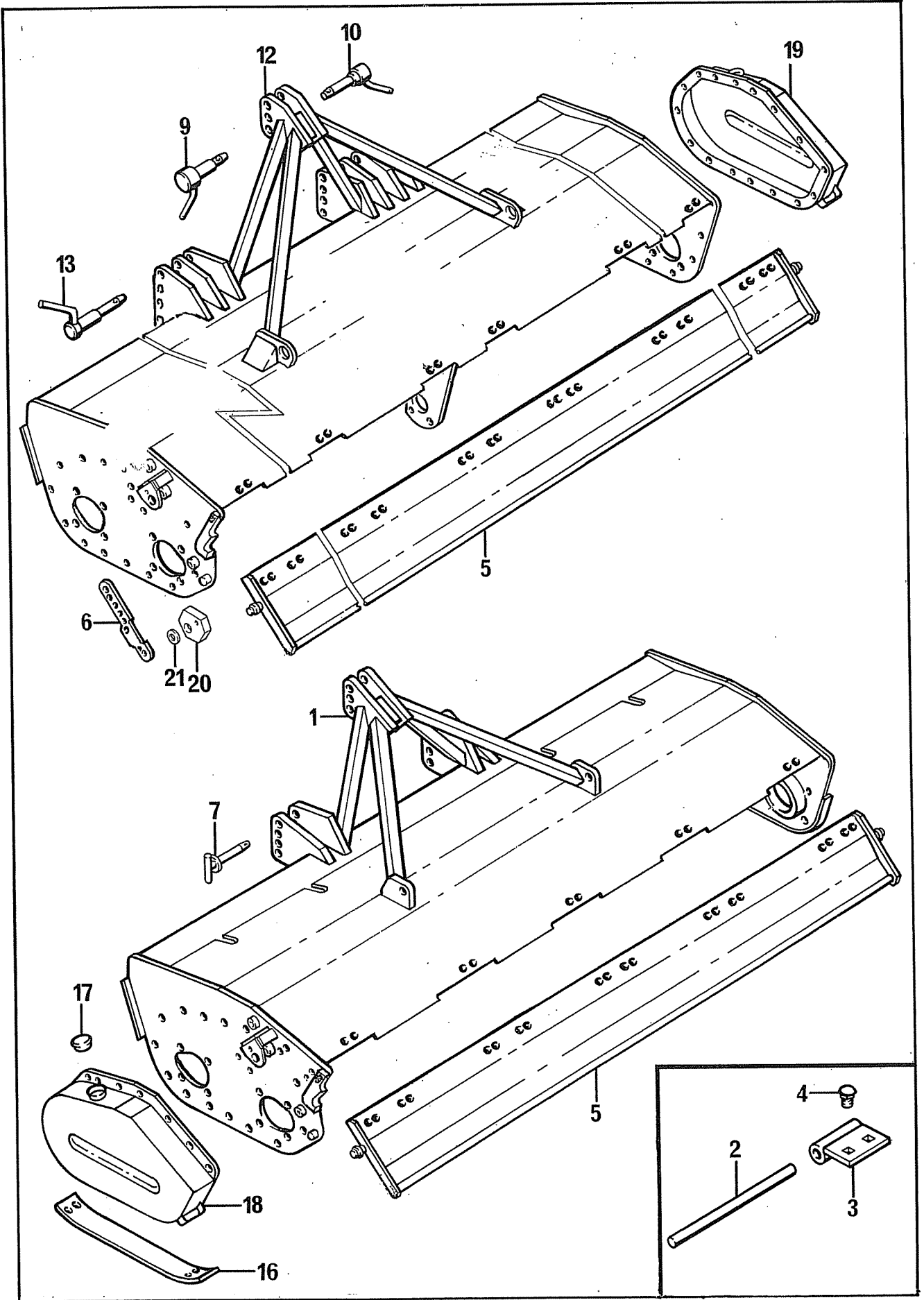
IT IS POTENTIALLY HAZARDOUS TO FIT OR USE ANY PARTS OTHER THAN GENUINE BOMFORD TURNER PARTS.

THE COMPANY DISCLAIMS ALL LIABILITY FOR THE CONSEQUENCES OF SUCH USE, WHICH IN ADDITION VOIDS THE MACHINE WARRANTY.

THIS MACHINE IS FOR GROUND CULTIVATION! AND MUST NOT BE USED FOR ANY OTHER PURPOSE.

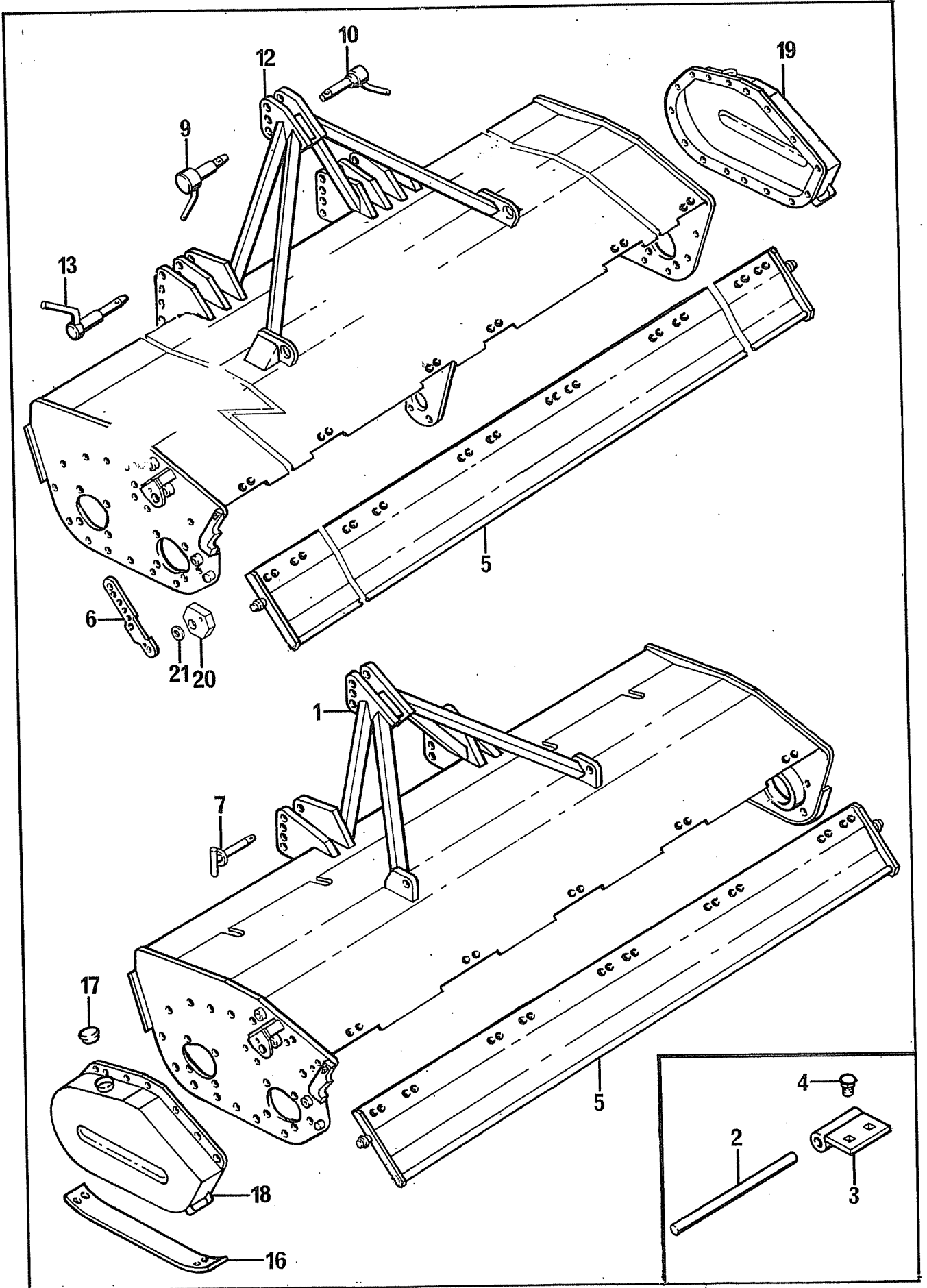
THE ILLUSTRATIONS AND TEXT COMBINE STANDARD, ALTERNATIVE AND OPTIONAL PARTS AND MUST NOT BE USED AS A PRODUCT SPECIFICATION.

CHECK REAR OF MANUAL FOR UPDATES



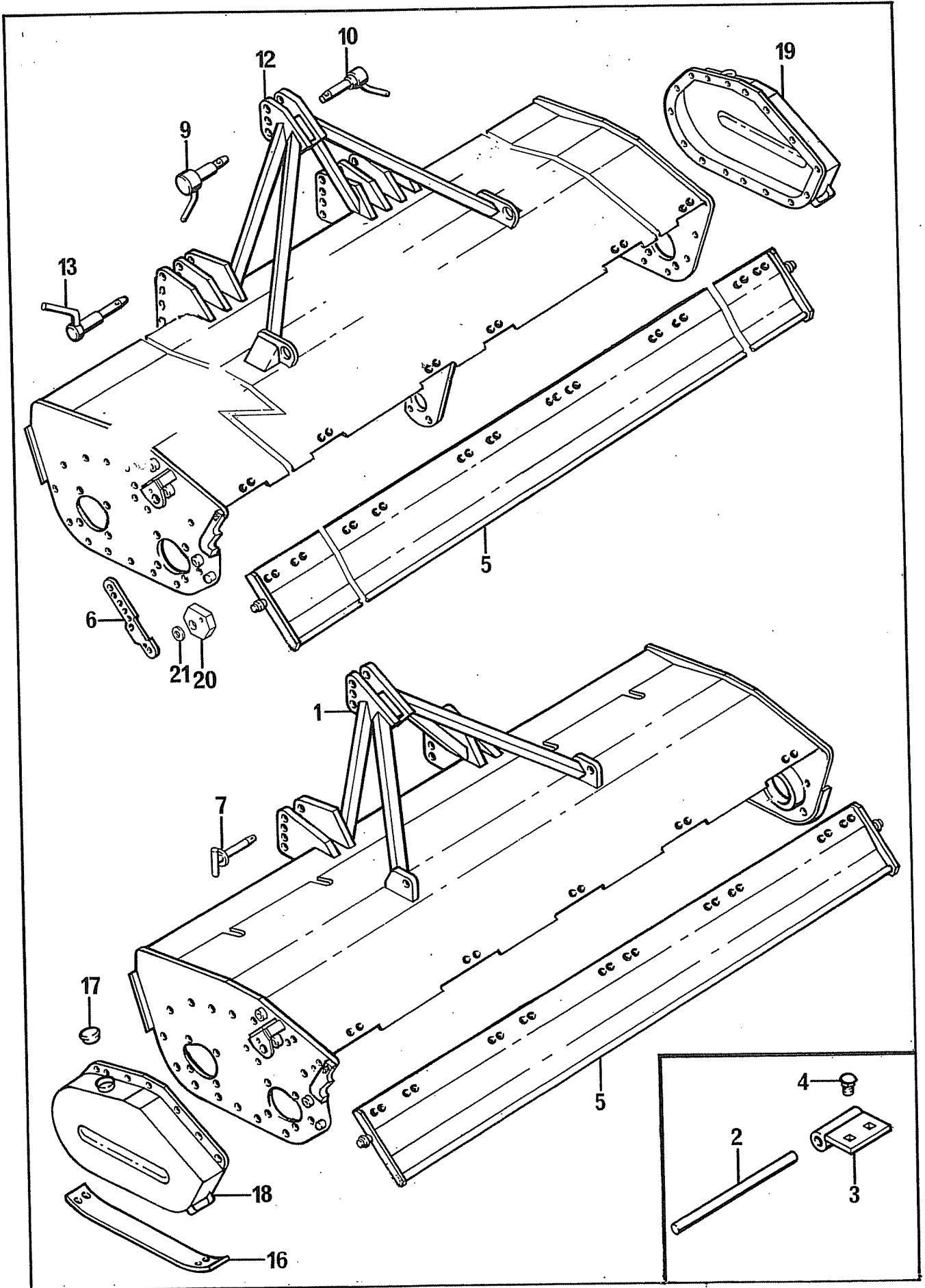
REF	PART NO	DESCRIPTION	QTY
71.385.05 MAINFRAME DD2000			
*01	04.428.03	MAINFRAME 2000	1
01	05.282.02	SPRING WASHER 10MM PLATED	24
01	05.227.01	HAMMER DRIVE SCREW NO.6 X 3/8"	2
02	03.651.02	PIN 16 DIA X 238MM PLATED	4
03	04.434.01	BRACKET-HINGE	12
*04	04.435.01	COACH BOLT M10 X 30MM PLATED	24
04	05.281.02	FLAT WASHER 10MM PLATED FORM C	24
04	05.287.02	SELF-LOCKING NUT M10 PLATED	24
05	00.372.03	LINCH PIN-1/4" DR	4
05	03.255.05	CHAIN-RING ASSY	4
*05	06.012.03	LINK-FLAP ADJUSTMENT CRANKED	1
06	00.372.03	LINCH PIN-1/4" DR	2
06	03.255.05	CHAIN-RING ASSY	2
06	05.281.05	FLAT WASHER 20MM PLATED	4
06	05.774.06	SERIAL NO.PLATE BOMFORD TURNER	2
07	00.372.01	LINCH PIN	2
*07	06.218.01	GUARD - HINGED FLAP 2.4M	2
20	05.264.21	SETSCREW M12 X 20MM PLATED	2
20	05.282.03	SPRING WASHER 12MM PLATED	2
*20	06.318.01	PIN-1.1/8" DIA X 103	1
20	09.065.01	PLATE-DEPTH ADJUSTMENT LH	1
21	05.234.01	WASHER 44.5 X 13 X 5MM PLATED	2
71.371.05 MAINFRAME DD2600			
*01	43108.01	MAINFRAME 2600	1
01	05.282.02	SPRING WASHER 10MM PLATED	30
01	05.227.01	HAMMER DRIVE SCREW NO.6 X 3/8"	2
*02	03.651.02	PIN 16 DIA X 238MM PLATED	5
03	04.434.01	BRACKET-HINGE	15
*04	04.435.01	COACH BOLT M10 X 30MM PLATED	30
04	05.281.02	FLAT WASHER 10MM PLATED FORM C	30
04	05.287.02	SELF-LOCKING NUT M10 PLATED	30
05	00.372.03	LINCH PIN-1/4" DR	4
05	03.255.05	CHAIN-RING ASSY	4
*05	06.012.03	LINK-FLAP ADJUSTMENT CRANKED	1
06	00.372.03	LINCH PIN-1/4" DR	2
06	03.255.05	CHAIN-RING ASSY	2
06	05.281.05	FLAT WASHER 20MM PLATED	4
06	05.774.06	SERIAL NO.PLATE BOMFORD TURNER	2
07	00.372.01	LINCH PIN	2
*07	06.225.01	GUARD - HINGED FLAP 3.0M (UP TO SERIAL NO. 1743K/99)	2
07	43109.01	GUARD - HINGED FLAP 3.0M (AFTER SERIAL NO. 1744K/99)	2
20	05.264.21	SETSCREW M12 X 20MM PLATED	2
20	05.282.03	SPRING WASHER 12MM PLATED	2
*20	06.318.01	PIN-1.1/8" DIA X 103	1
20	09.065.01	PLATE-DEPTH ADJUSTMENT LH	1
21	05.234.01	WASHER 44.5 X 13 X 5MM PLATED	2

*MAIN PART IN GROUP, RELATED PARTS HAVE SAME REFERENCE NUMBER



REF	PART NO	DESCRIPTION	QTY
71.387.05 MAINFRAME DD3000			
	05.282.02	SPRING WASHER 10MM PLATED	36
02	03.651.02	PIN 16 DIA X 238MM PLATED	6
03	04.434.01	BRACKET-HINGE	18
04	04.435.01	COACH BOLT M10 X 30MM PLATED	36
04	05.281.02	FLAT WASHER 10MM PLATED FORM C	36
04	05.287.02	SELF-LOCKING NUT M10 PLATED	36
05	00.372.03	LINCH PIN-1/4" DR	4
05	03.255.05	CHAIN-RING ASSY	4
*05	42940.01	MAINFRAME 3000	1
05	06.376.01	GUARD-HINGED FLAP <i>(Up to Serial No. 2969J/98)</i>	1
05	42947.01	GUARD-HINGED FLAP <i>(From Serial No. 3087J/98)</i>	1
06	00.372.03	LINCH PIN-1/4" DR	2
06	03.255.05	CHAIN-RING ASSY	2
06	05.281.05	FLAT WASHER 20MM PLATED	4
06	05.774.06	SERIAL NO.PLATE BOMFORD TURNER	2
08	05.227.01	HAMMER DRIVE SCREW NO.6 X 3/8"	2
08	06.012.03	LINK-FLAP ADJUSTMENT CRANKED	1
09	00.372.01	LINCH PIN	1
09	04.340.01	PIN 1.1/4"X1"DIA X 125MM	1
10	00.372.01	LINCH PIN	1
10	04.341.01	PIN 1.1/4"X1"DIA X 125MM	1
11	00.372.01	LINCH PIN	2
11	04.072.01	PIN 1.7/16"X1.1/8"DIAX192MM	2
20	05.264.21	SETSCREW M12 X 20MM PLATED	2
20	05.282.03	SPRING WASHER 12MM PLATED	2
*20	09.065.01	PLATE-DEPTH ADJUSTMENT LH	1
21	05.234.01	WASHER 44.5 X 13 X 5MM PLATED	2
71.470.04 MAINFRAME DD4000			
02	03.651.02	PIN 16 DIA X 238MM PLATED	7
03	04.434.01	BRACKET-HINGE	21
04	05.282.02	SPRING WASHER 10MM PLATED	42
04	04.435.01	COACH BOLT M10 X 30MM PLATED	42
04	05.281.02	FLAT WASHER 10MM PLATED FORM C	42
04	05.287.02	SELF-LOCKING NUT M10 PLATED	42
05	00.372.03	LINCH PIN-1/4" DR	4
05	03.255.05	CHAIN-RING ASSY	4
*05	06.559.02	MAINFRAME 4000	1
*06	06.012.03	LINK-FLAP ADJUSTMENT CRANKED	1
06	00.372.03	LINCH PIN-1/4" DR	2
06	03.255.05	CHAIN-RING ASSY	2
06	05.281.05	FLAT WASHER 20MM PLATED	4
06	05.774.06	SERIAL NO.PLATE BOMFORD TURNER	2
09	00.372.01	LINCH PIN	1
*09	04.340.01	PIN 1.1/4" X 1"DIA X 125MM	1
10	00.372.01	LINCH PIN	1
*10	04.341.01	PIN 1.1/4" X 1"DIA X 125MM	1

*MAIN PART IN GROUP, RELATED PARTS HAVE SAME REFERENCE NUMBER



REF	PART NO	DESCRIPTION	QTY
12	05.227.01	HAMMER DRIVE SCREW NO.6 X 3/8"	2
13	00.372.01	LINCH PIN	2
*13	04.072.01	PIN 1.7/16" X 1.1/8"DIA X 192MM	2
20	05.264.21	SETSCREW M12 X 20MM PLATED	2
20	05.282.03	SPRING WASHER 12MM PLATED	2
20	06.560.01	GUARD-HINGED FLAP 4.4M	1
*20	09.065.01	PLATE-DEPTH ADJUSTMENT LH	1
20	09.065.02	PLATE-DEPTH ADJUSTMENT RH	1
21	05.234.01	WASHER 44.5 X 13 X 5MM PLATED	2

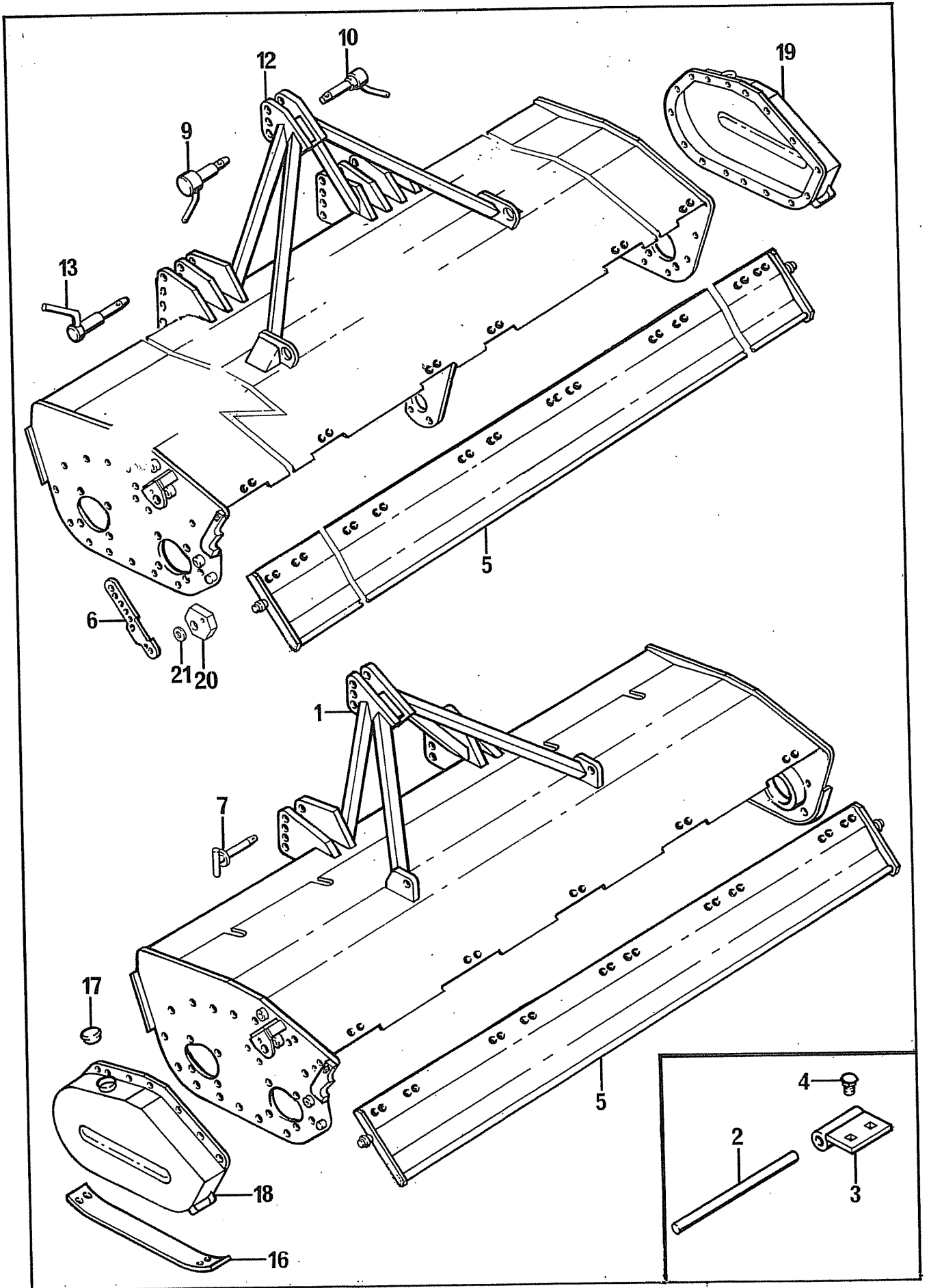
71.576.03 MAINFRAME 5000

02	03.651.02	PIN 16 DIA X 238MM PLATED	10
03	04.434.01	BRACKET-HINGE	30
*04	04.435.01	COACH BOLT M10 X 30MM PLATED	60
04	05.281.02	FLAT WASHER 10MM PLATED FORM C	60
04	05.287.02	SELF-LOCKING NUT M10 PLATED	60
05	00.372.03	LINCH PIN-1/4" DR	4
05	03.255.05	CHAIN-RING ASSY	4
*05	06.772.02	MAINFRAME 5000	1
06	00.372.03	LINCH PIN-1/4" DR	2
06	03.255.05	CHAIN-RING ASSY	2
06	05.281.05	FLAT WASHER 20MM PLATED	4
06	05.774.06	SERIAL NO.PLATE BOMFORD TURNER	2
09	00.372.01	LINCH PIN	1
*09	04.340.01	PIN 1.1/4"X1"DIA X 125MM	1
10	00.372.01	LINCH PIN	1
*10	04.341.01	PIN 1.1/4"X1"DIA X 125MM	1
12	05.227.01	HAMMER DRIVE SCREW NO. 6 X 3/8"	2
*13	06.370.01	PIN-CAT II,III & X	1
13	00.372.01	LINCH PIN	2
20	05.264.21	SETSCREW M12 X 20MM PLATED	2
20	05.282.03	SPRING WASHER 12MM PLATED	2
20	06.012.03	LINK-FLAP ADJUSTMENT CRANKED	1
*20	06.013.01	PLATE-DEPTH ADJUST.LH	1
20	06.013.02	PLATE-DEPTH ADJUST.RH	2
21	05.234.01	WASHER 44.5 X 13 X 5MM PLATED	2

71.377.02 CHAINCASE LH FOR 2000, 2600 AND 3000 MODELS

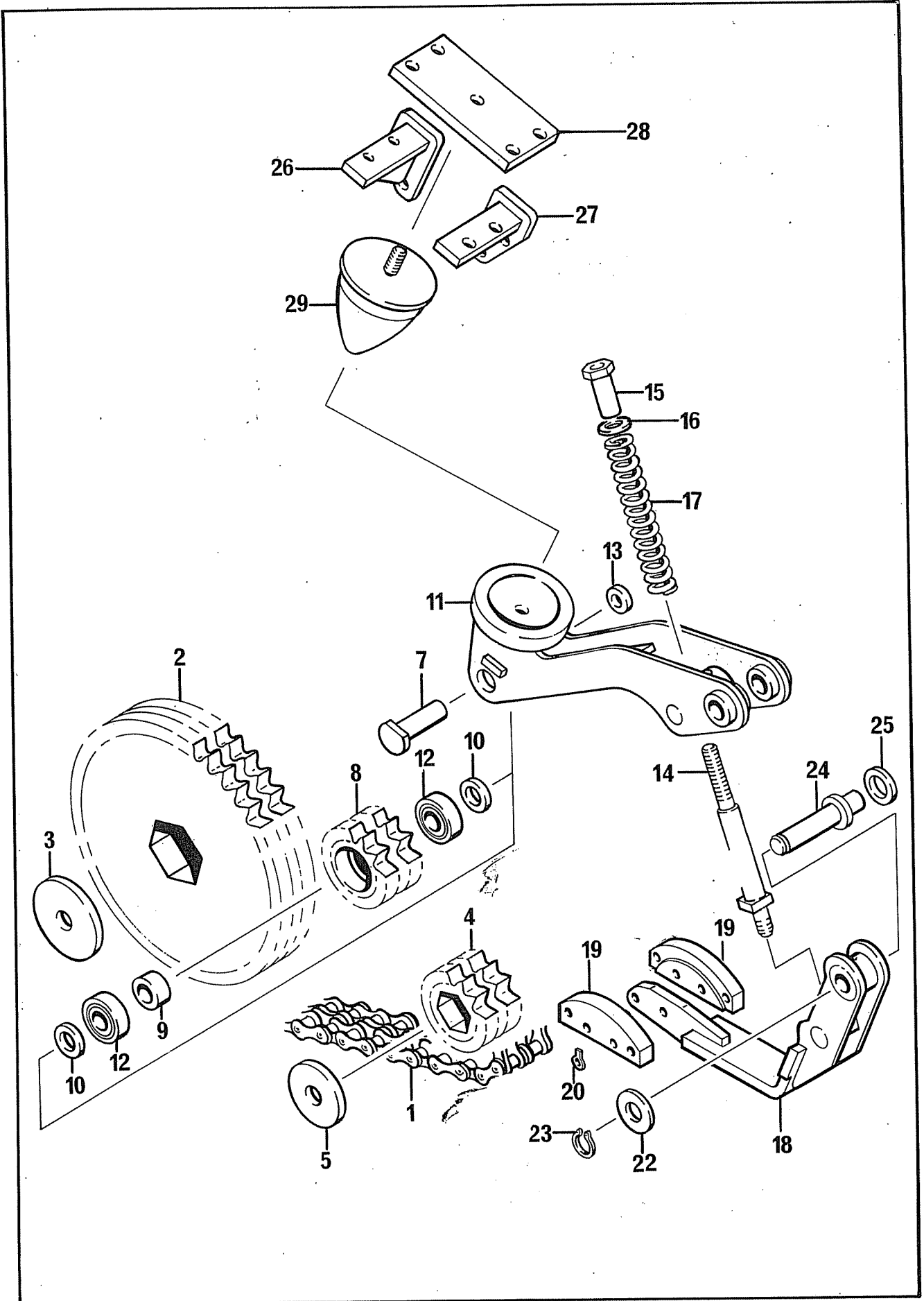
*16	04.304.01	SKID	1
16	05.283.02	SHAKEPROOF WASHER 10MM PLATED	4
16	30.072.96	BOLT M10 X 30 SQ SHLDR SCK Z/P	4
16	05.287.03	SELF-LOCKING NUT M12 PLATED	7
17	02.796.12	BREATHER CAP	1
*18	04.296.01	CHAIN CASE L.H.	1
18	05.264.22	SETSCREW M12 X 25MM PLATED	9
18	05.264.24	SETSCREW M12 X 35MM PLATED	7
18	05.282.03	SPRING WASHER 12MM PLATED	9
18	05.286.02	NUT M10 PLATED	4

*MAIN PART IN GROUP, RELATED PARTS HAVE SAME REFERENCE NUMBER



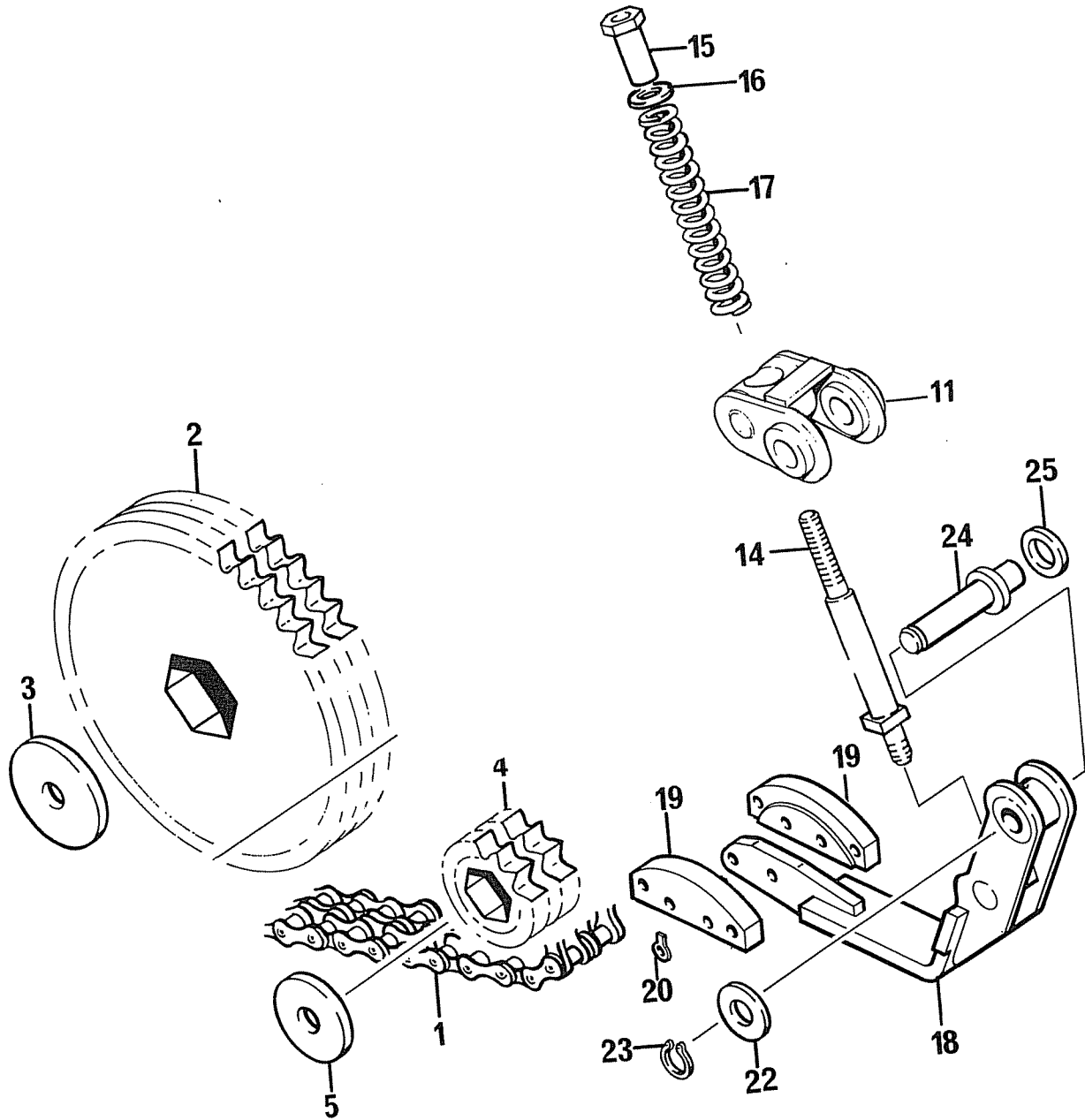
REF	PART NO.	DESCRIPTION	QTY	SERIAL NO. FROM - TO
71.378.01		4000 AND 5000 MODELS		
*16	04.304.01	SKID	2	
16	05.211.03	PLOUGH BOLT 3/8"UNF X 1.1/8"	8	
16	05.288.02	NUT 3/8"UNF PLATED	8	
16	05.294.03	SHAKEPROOF WASHER 3/8" PLATED	8	
*17	02.796.12	BREATHER CAP	2	
*18	04.296.01	CHAIN CASE L.H.	1	
18	05.264.21	SETSCREW M12 X 20MM PLATED	9	
18	05.264.23	SETSCREW M12 X 30MM PLATED	7	
18	05.282.03	SPRING WASHER 12MM PLATED	9	
18	05.287.03	SELF-LOCKING NUT M12 PLATED	7	
*19	04.328.01	CHAINCASE R.H.	1	
19	05.264.21	SETSCREW M12 X 20MM PLATED	9	
19	05.264.23	SETSCREW M12 X 30MM PLATED	7	
19	05.282.03	SPRING WASHER 12MM PLATED	9	
19	05.287.03	SELF-LOCKING NUT M12 PLATED	7	

*MAIN PART IN GROUP, RELATED PARTS HAVE SAME REFERENCE NUMBER.



REF	PART NO.	DESCRIPTION	QTY	SERIAL NO. - TO
72.365.01, 71.376.01		TRANSMISSION		
*01	04.003.02	CHAIN-DUPLEX 1.1/4" P X 50 LINK	1	2281D
*02	04.277.01	SPROCKET-DUPLEX 1.1/4" P X 32T	1	
*03	04.287.01	WASHER 100 O/D X 16.5 I/D X 6MM	1	
03	05.264.34	SETSCREW M16 X 35MM PLATED	1	
03	05.282.04	SPRING WASHER 16MM PLATED	1	
*04	04.278.01	SPROCKET-DUPLEX 1.1/4" P X 10T	1	
*05	02.823.01	WASHER 75 O/D X 17 I/D X 6MM	1	
05	05.264.34	SETSCREW M16 X 35MM PLATED	1	
05	05.282.04	SPRING WASHER 16MM PLATED	1	
*07	03.653.06	PIN 25 DIA X 69MM	1	
07	05.264.22	SETSCREW M12 X 25MM PLATED	1	
*07	05.282.03	SPRING WASHER 12MM PLATED	1	
*08	04.279.01	SPROCKET-DUPLEX 1.1/4" P X 10T	1	
*09	04.297.01	SPACER 40 O/D X 25 I/D X 20MM	1	
*10	04.298.01	SPACER 40 O/D X 25 I/D X 4MM	2	
*11	04.299.01	BRACKET-CUSHIONING ARM	1	
*12	04.309.01	BEARING-CYL ROLLER 25MM BORE	2	
*13	04.490.01	WASHER 30 O/D X 13 I/D X 4MM	1	
*14	04.308.01	ROD-SPRING GUIDE	1	
*15	04.312.01	SPECIAL NUT M16	1	
15	05.968.04	S.LOCKING NUT M16 (FINE) PLATE	2	
*16	05.281.06	FLAT WASHER 1" BSF HEAVY	1	
*17	05.678.01	SPRING-COMP 1.1/4" DIA X 8"	1	
*18	07.487.01	BRACKET-TENSIONER	1	
*19	07.488.01	PLATE-NYLON GUIDE	2	
20	05.287.02	SELF-LOCKING NUT M10 PLATED	2	
20	05.291.19	BOLT M10 X 70MM PLATED	2	
*20	07.495.01	PLATE-LOCKING 10.5 X 26 X 0.75	4	
*22	05.281.06	FLAT WASHER 1" BSF HEAVY	1	
*23	05.959.11	CIRCLIP - EXT 25MM DIA	1	
*24	04.320.01	PIN 25 DIA X 102MM	1	
24	05.264.22	SETSCREW M12 X 25MM PLATED	1	
24	05.282.03	SPRING WASHER 12MM PLATED	1	
*25	05.234.01	WASHER 1.3/4" X 17/32" X 3/16"	1	
*26	04.293.01	BRACKET-SPRING MOUNTING L.H.	1	
*27	04.293.02	BRACKET-SPRING MOUNTING R.H.	1	
*28	04.295.01	PLATE-SPRING MTG	1	
28	05.264.23	SETSCREW M12 X 30MM PLATED	4	
28	05.264.25	SETSCREW M12 X 40MM PLATED	4	
28	05.287.03	SELF-LOCKING NUT M12 PLATED	9	
*29	04.310.01	RUBBER BUFFER	1	

NOTE: FOR 4000 & 5000 MODELS ALL QUANTITIES SHOULD BE DOUBLED.

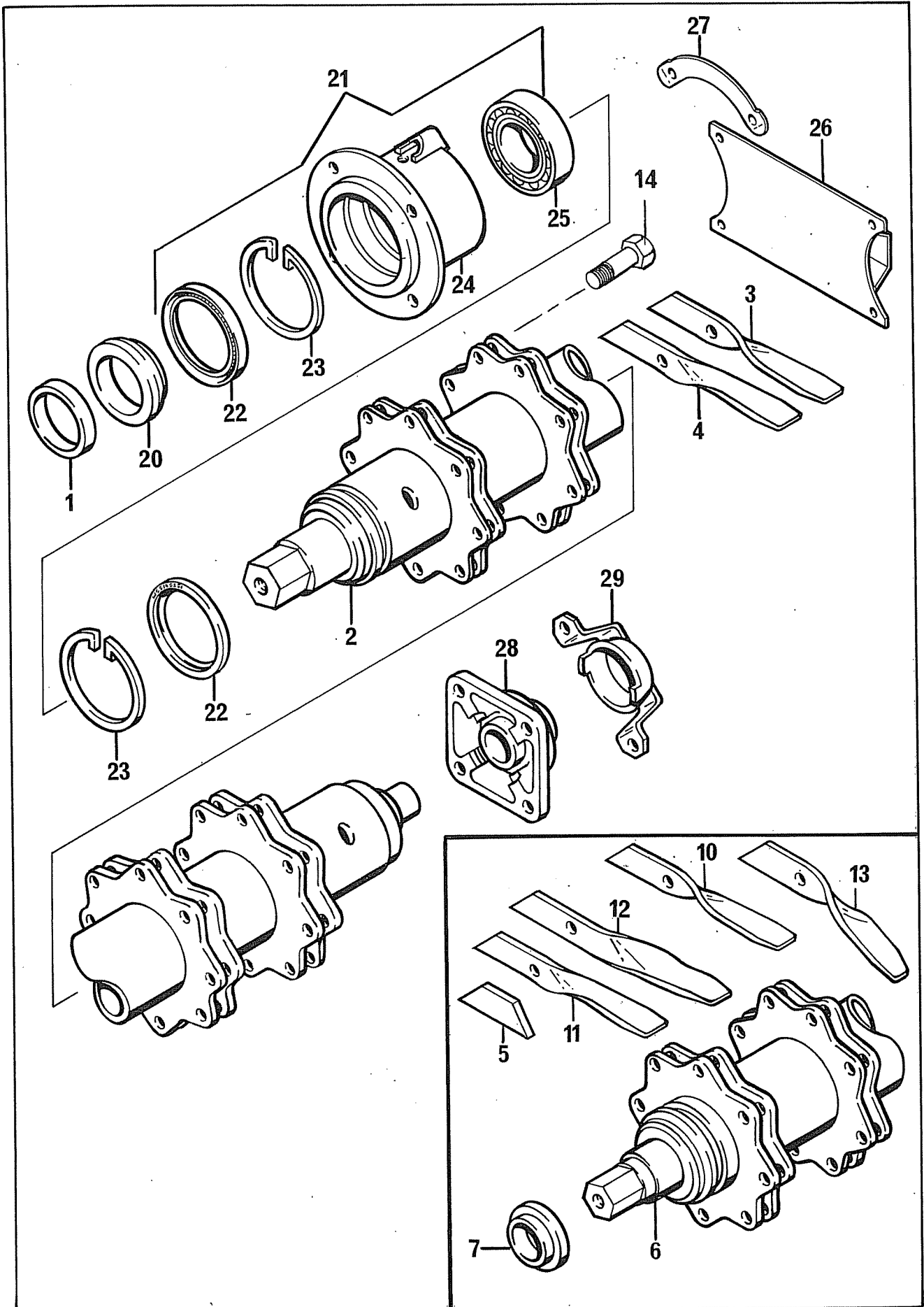


REF	PART NO.	DESCRIPTION	QTY	SERIAL NO. FROM
	72.515.01, 72.517.01	TRANSMISSION		
*01	04.003.02	CHAIN-DUPLEX 1 1/4"P X 50 LINK	1	2282D -
*02	04.277.01	SPROCKET-DUPLEX 1.1/4"P X 32T	1	
*03	04.287.01	WASHER 100 O/D X 16.5I/D X 6MM	1	
03	05.264.34	SETSCREW M16 X 35MM PLATED	1	
03	05.282.04	SPRING WASHER 16MM PLATED	1	
*04	04.278.02	SPROCKET-DUPLEX 1.1/4"P X 12T	1	
*05	02.823.01	WASHER 73 O/DX16.5 I/DX6MM	1	
05	05.264.34	SETSCREW M16 X 35MM PLATED	1	
05	05.282.04	SPRING WASHER 16MM PLATED	1	
*11	08.816.01	TENSIONER BRACKET	1	
*14	04.308.01	ROD-SPRING GUIDE	1	
*15	04.312.01	SPECIAL NUT M16	1	
15	05.968.04	S.LOCKING NUT M16 (FINE) PLATE	2	
*16	05.281.16	FLAT WASHER 1" BSF HEAVY PLATE	1	
*17	05.678.01	SPRING-COMP 1.1/4"DIA X 8"	1	
*18	07.487.01	BRACKET-TENSIONER	1	
*19	07.488.01	PLATE-NYLON GUIDE	2	
20	05.287.02	SELF-LOCKING NUT M10 PLATED	2	
20	05.291.19	BOLT M10 X 70MM PLATED	2	
*20	07.495.01	PLATE-LOCKING 10.5 X 26 X 0.75	4	
*22	05.281.16	FLAT WASHER 1" BSF HEAVY PLATE	1	
23	05.959.11	CIRCLIP - EXT 25MM DIA	1	
*24	04.320.01	PIN 25 DIA X 102MM	1	
24	05.264.22	SETSCREW M12 X 25MM PLATED	1	
24	05.282.03	SPRING WASHER 12MM PLATED	1	
*25	05.234.01	WASHER 44.5 X 13 X 5MM PLATED	1	

NOTE:

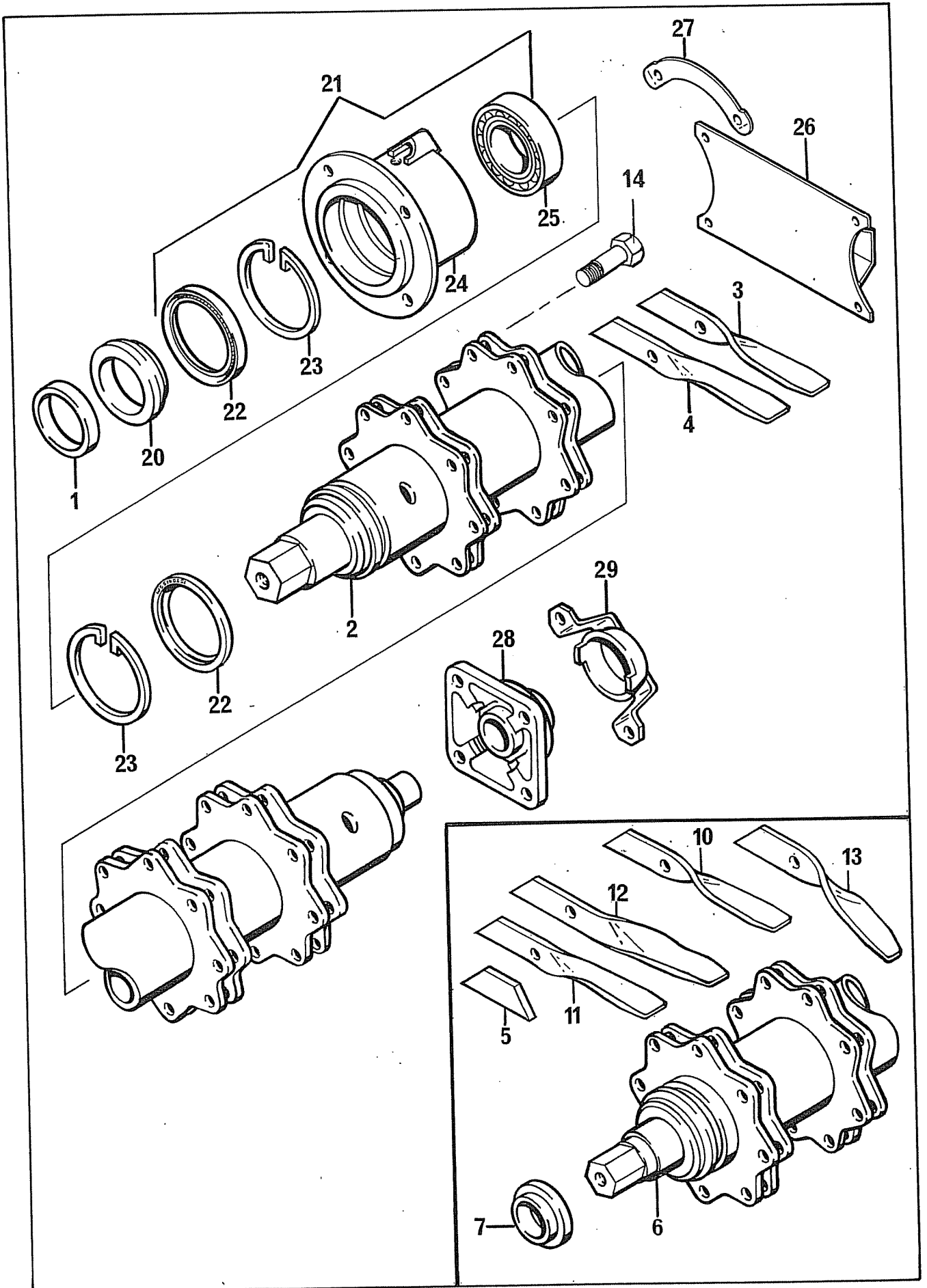
FOR 4000 & 5000 MODELS ALL QUANTITIES SHOULD BE DOUBLED

DD 3000 FROM MID "92"



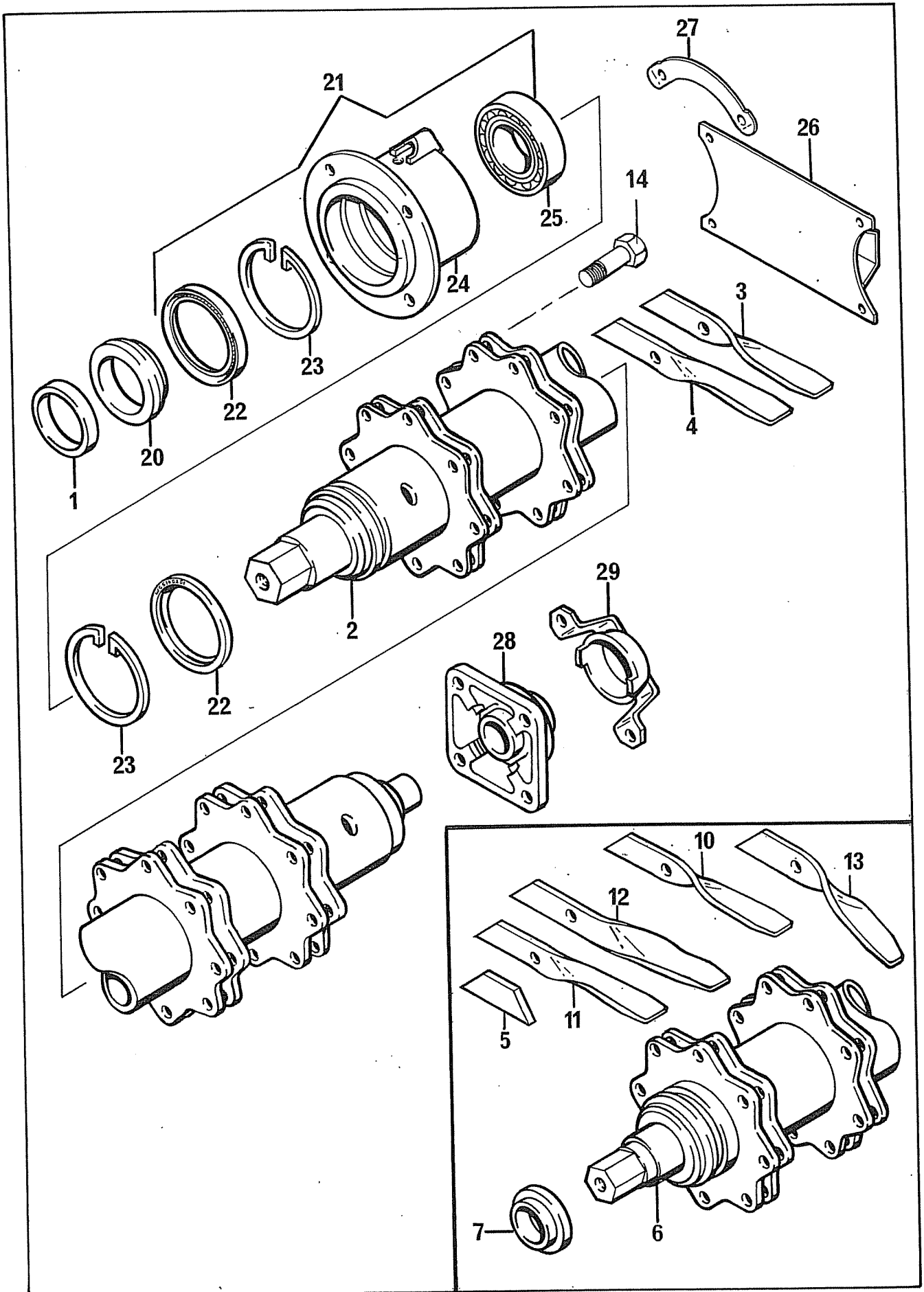
REF	PART NO.	DESCRIPTION	QTY
72.316.02 2000 MODEL			
01	03.973.02	SPACER 4"O/D X 3.1/4" I/D X 25MM	1
02	04.272.04	ROTOR SHAFT-FRONT 10 STATION	1
03	41896.01	TINE - 50 X 351 JUMBO	40
04	41896.02	TINE - AC/W TWIST 50 X 351	40
05	06.950.01	PLATE-TINE SPACER 50MM (TRIAL)	44
06	09.034.01	ROTOR SHAFT-REAR 11 STATION	1
07	04.281.01	COLLAR 4"O/D X 25MM	1
10	06.949.01	TINE - 50 X 351 JUMBO	12
11	41896.02	TINE - 50 X 351 JUMBO	12
12	41895.01	TINE-LH CRANK 50 X 351 EN42	10
13	41895.02	TINE-RH CRANK 50 X 351 EN42	10
14	05.282.03	SPRING WASHER 12 MM PLATED	168
*14	05.775.09	BOLT M12 X 42 (METRIC FINE)	168
14	05.968.03	SELF-LOCKING NUT M12 (FINE)	168
72.363.01 ROTOR BEARINGS			
20	04.170.02	COLLAR 115 O/D X 21MM	2
21	04.507.18	BEARING HOUSING ASSY	2
22	04.164.01	SEAL-LIP 115 DIA X 13MM	-
23	05.959.08	CIRCLIP-BEARING 80MM SR	-
*24	04.286.02	BEARING HOUSING 80MM SR	-
24	05.953.03	GREASE NIPPLE M10	-
25	04.163.91	BEARING-SPHERICAL ROLLER 80MM BORE	-
26	08.850.01	BOLT ON STRUT - SHORT	1
27	05.264.34	SETSCREW M16 X 35MM PLATED	4
27	05.264.35	SETSCREW M16 X 40MM PLATED	4
27	05.287.04	SELF-LOCKING NUT M16 PLATED	8
27	05.291.34	SETSCREW M16 X 45MM PLATED	4
*27	07.496.01	PLATE-LOCKING PLATED	4
*28	03.138.01	BEARING ASSEMBLY - FLANGED 50 BORE	2
28	05.264.37	SETSCREW M16 X 50MM PLATED	8
28	05.287.04	SELF-LOCKING NUT M16 PLATED	8
29	03.975.02	GUARD-BEARING C/W STRAP	2

*MAIN PART IN GROUP, RELATED PARTS HAVE SAME REFERENCE NUMBER



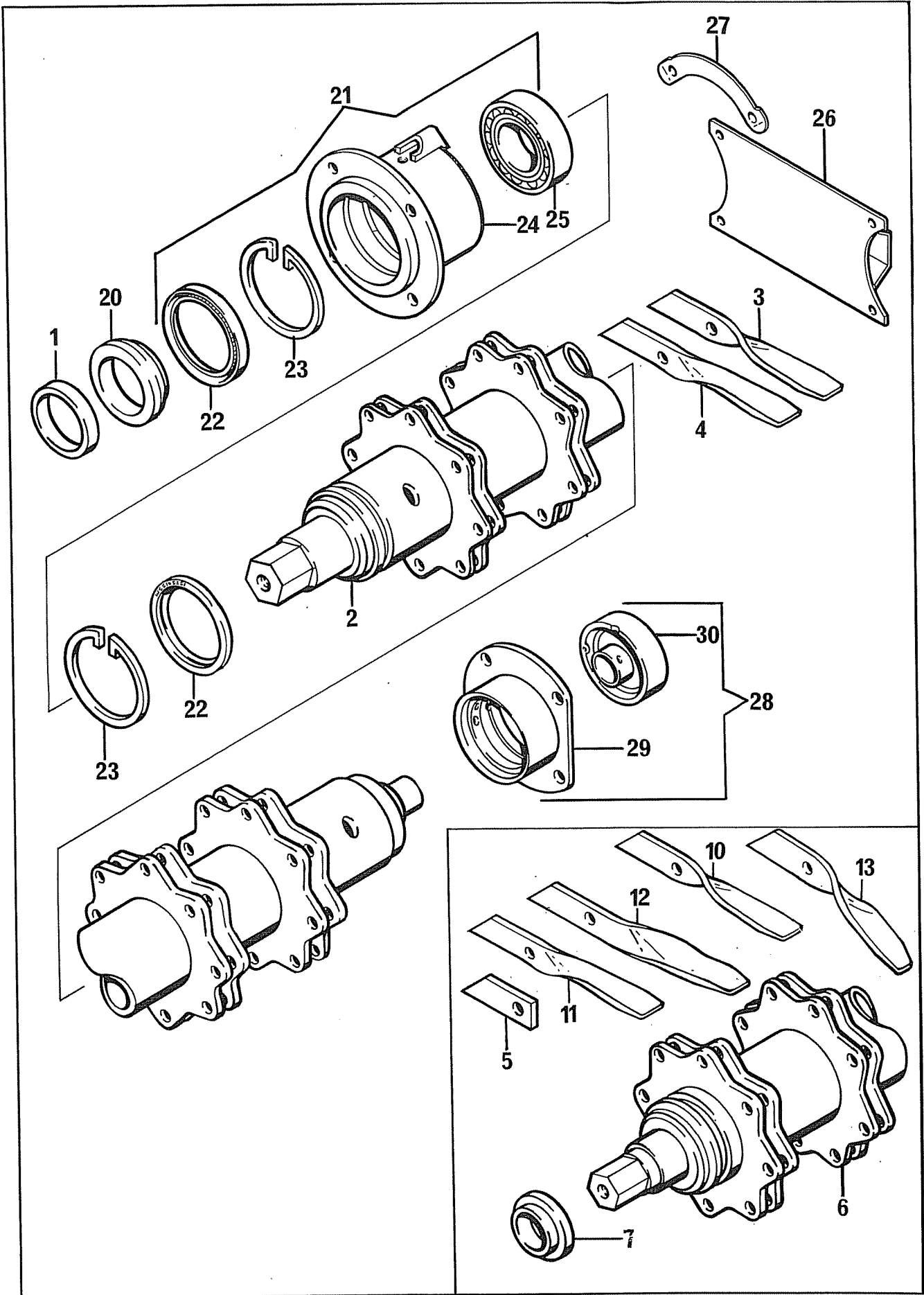
REF	PART NO.	DESCRIPTION	QTY
72.317.02 2600 MODEL			
01	03.973.02	SPACER 4"O/D X 3.1/4" I/D X 25MM	1
02	04.272.04	ROTOR SHAFT-FRONT 10 STATION	1
03	05.968.03	SELF LOCKING NUT M12 (FINE)	52
*03	41896.01	TINE - 50 X 351 JUMBO	52
04	05.282.03	SPRING WASHER 12MM PLATED	52
04	05.775.09	BOLT - M12 X 42 (METRIC FINE)	52
04	05.968.03	SELF LOCKING NUT M12 (FINE)	52
*04	41896.02	TINE AC/W TWIST 50 X 351	52
05	05.282.03	SPRING WASHER 12MM PLATED	56
05	05.775.09	BOLT - M12 X 42 (METRIC FINE)	56
05	05.968.03	SELF LOCKING NUT M12 (FINE)	56
*05	06.950.01	PLATE-TINE SPACER 50MM (TRIAL)	56
06	09.035.01	ROTOR SHAFT-REAR 14 STATION	1
07	04.281.01	COLLAR 4"O/D X 25MM	1
10	05.282.03	SPRING WASHER 12MM PLATED	15
10	05.775.09	BOLT - M12 X 42 (METRIC FINE)	15
10	05.968.03	SELF LOCKING NUT M12 (FINE)	15
*10	41896.01	TINE - 50 X 351 JUMBO	15
11	05.282.03	SPRING WASHER 12MM PLATED	15
11	05.775.09	BOLT - M12 X 42 (METRIC FINE)	15
11	05.968.03	SELF LOCKING NUT M12 (FINE)	15
*11	41896.02	TINE AC/W TWIST 50 X 351	15
12	05.282.03	SPRING WASHER 12MM PLATED	13
12	05.775.09	BOLT - M12 X 42 (METRIC FINE)	13
12	05.968.03	SELF LOCKING NUT M12 (FINE)	13
*12	41895.01	TINE LH CRANK 50 X 351	13
13	05.282.03	SPRING WASHER 12MM PLATED	13
13	05.775.09	BOLT - M12 X 42 (METRIC FINE)	13
13	05.968.03	SELF LOCKING NUT M12 (FINE)	13
*13	41895.02	TINE RH CRANK 50 X 351	13
20	04.170.02	COLLAR 115 O/D X 21MM	2
21	04.507.18	BEARING HOUSING ASSY	2
22	04.164.01	SEAL-LIP 115 DIA X 13MM	-
23	05.959.08	CIRCLIP-BEARING 80MM SR	-
*24	04.286.02	BEARING HOUSING 80MM SR	-
24	05.953.03	GREASE NIPPLE M10	-
25	04.163.91	BEARING-SPHERICAL ROLLER 80MM BORE	-
26	08.850.01	BOLT ON STRUT - SHORT	1
27	05.264.34	SETSCREW M16 X 35MM PLATED	4
27	05.264.35	SETSCREW M16 X 40MM PLATED	4
27	05.287.04	SELF-LOCKING NUT M16 PLATED	8
27	05.291.34	SETSCREW M16 X 45MM PLATED	4
*27	07.496.01	PLATE-LOCKING PLATED	4
28	03.138.01	BEARING ASSEMBLY - FLANGED 50 BORE	2
28	05.264.37	SETSCREW M16 X 50MM PLATED	8
28	05.287.04	SELF-LOCKING NUT M16 PLATED	8
29	03.975.02	GUARD-BEARING C/W STRAP	2

*MAIN PART IN GROUP, RELATED PARTS HAVE SAME REFERENCE NUMBER



REF	PART NO.	DESCRIPTION	QTY
72.318.02 3000 MODEL			
01	03.973.02	SPACER 4"O/D X 3.1/4" I/D X 25MM	1
02	06.373.02	ROTOR SHAFT-FRONT 15 STATION	1
03	05.282.03	SPRING WASHER 12MM PLATED	60
03	05.775.09	BOLT - M12 X 42 (METRIC FINE)	60
03	05.968.03	SELF LOCKING NUT M12 (FINE)	60
*03	41896.01	TINE - 50 X 351 JUMBO	60
04	05.282.03	SPRING WASHER 12MM PLATED	60
04	05.775.09	BOLT - M12 X 42 (METRIC FINE)	60
04	05.968.03	SELF LOCKING NUT M12 (FINE)	60
*04	41896.02	TINE AC/W TWIST 50 X 351	60
05	05.282.03	SPRING WASHER 12MM PLATED	64
05	05.775.09	BOLT - M12 X 42 (METRIC FINE)	64
05	05.968.03	SELF LOCKING NUT M12 (FINE)	64
*05	06.950.01	PLATE-TINE SPACER 50MM (TRIAL)	64
06	09.036.01	ROTOR SHAFT-REAR 16 STATION	1
07	04.281.01	COLLAR 4"O/D X 25MM	1
10	05.282.03	SPRING WASHER 12MM PLATED	17
10	05.775.09	BOLT - M12 X 42 (METRIC FINE)	17
10	05.968.03	SELF LOCKING NUT M12 (FINE)	17
*10	41896.01	TINE - 50 X 351 JUMBO	17
11	05.282.03	SPRING WASHER 12MM PLATED	17
11	05.775.09	BOLT - M12 X 42 (METRIC FINE)	17
11	05.968.03	SELF LOCKING NUT M12 (FINE)	17
*11	41896.02	TINE AC/W TWIST 50 X 351	17
12	05.282.03	SPRING WASHER 12MM PLATED	15
12	05.775.09	BOLT - M12 X 42 (METRIC FINE)	15
12	05.968.03	SELF LOCKING NUT M12 (FINE)	15
*12	41895.01	TINE LH CRANK 50 X 351	15
13	05.282.03	SPRING WASHER 12MM PLATED	15
13	05.775.09	BOLT - M12 X 42 (METRIC FINE)	15
13	05.968.03	SELF LOCKING NUT M12 (FINE)	15
*13	41895.02	TINE RH CRANK 50 X 351	15

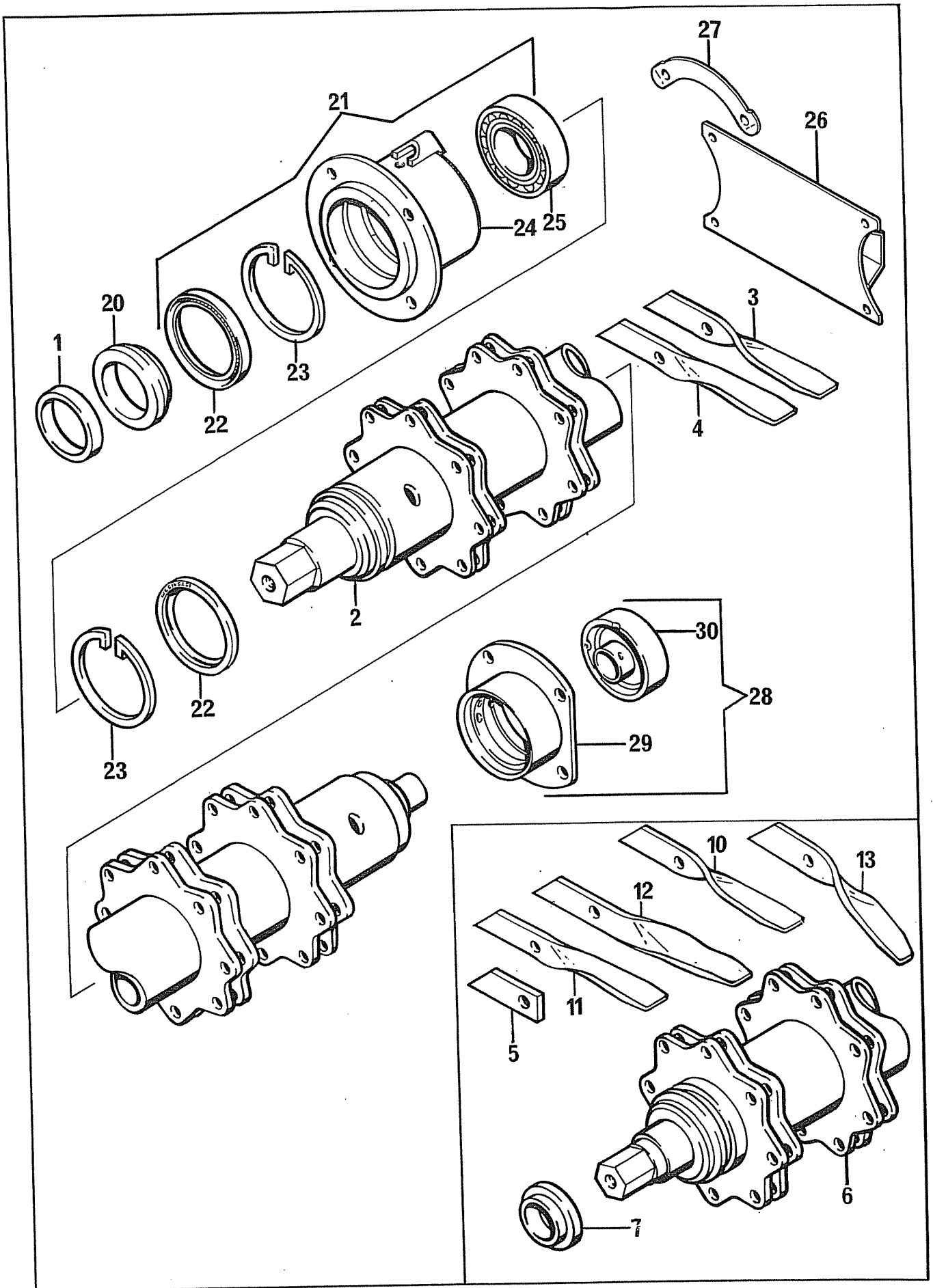
*MAIN PART IN GROUP, RELATED PARTS HAVE SAME REFERENCE NUMBER



REF	PART NO.	DESCRIPTION	QTY
72.319.02 4000 MODEL			
01	03.973.02	SPACER 4"O/D X 3.1/4" I/D X 25MM	2
02	06.595.02	ROTOR SHAFT-FRONT 10 STATION	2
03	05.282.03	SPRING WASHER 12MM PLATED	80
03	05.775.09	BOLT - M12 X 42 (METRIC FINE)	80
03	05.968.03	SELF LOCKING NUT M12 (FINE)	80
*03	41896.01	TINE - 50 X 351 JUMBO	80
04	05.282.03	SPRING WASHER 12MM PLATED	80
04	05.775.09	BOLT - M12 X 42 (METRIC FINE)	80
04	05.968.03	SELF LOCKING NUT M12 (FINE)	80
*04	41896.02	TINE AC/W TWIST 50 X 351	80
05	05.282.03	SPRING WASHER 12MM PLATED	84
05	05.775.09	BOLT - M12 X 42 (METRIC FINE)	84
05	05.968.03	SELF LOCKING NUT M12 (FINE)	84
*05	06.950.01	PLATE-TINE SPACER 50MM (TRIAL)	84
*06	09.037.01	ROTOR SHAFT-REAR 10 STATION	1
06	09.038.01	ROTOR SHAFT-REAR 11 STATION	1
07	04.281.01	COLLAR 4"O/D X 25MM	2
10	05.282.03	SPRING WASHER 12MM PLATED	22
10	05.775.09	BOLT - M12 X 42 (METRIC FINE)	22
10	05.968.03	SELF LOCKING NUT M12 (FINE)	22
*10	41896.01	TINE - 50 X 351 JUMBO	22
11	05.282.03	SPRING WASHER 12MM PLATED	22
11	05.775.09	BOLT - M12 X 42 (METRIC FINE)	22
11	05.968.03	SELF LOCKING NUT M12 (FINE)	22
*11	41896.02	TINE AC/W TWIST 50 X 351	22
12	05.282.03	SPRING WASHER 12MM PLATED	20
12	05.775.09	BOLT - M12 X 42 (METRIC FINE)	20
12	05.968.03	SELF LOCKING NUT M12 (FINE)	20
*12	41895.01	TINE LH CRANK 50 X 351	20
13	05.282.03	SPRING WASHER 12MM PLATED	20
13	05.775.09	BOLT - M12 X 42 (METRIC FINE)	20
13	05.968.03	SELF LOCKING NUT M12 (FINE)	20
*13	41895.02	TINE RH CRANK 50 X 351	20

FOR BEARING PART NUMBERS SEE PAGE 5 - 4

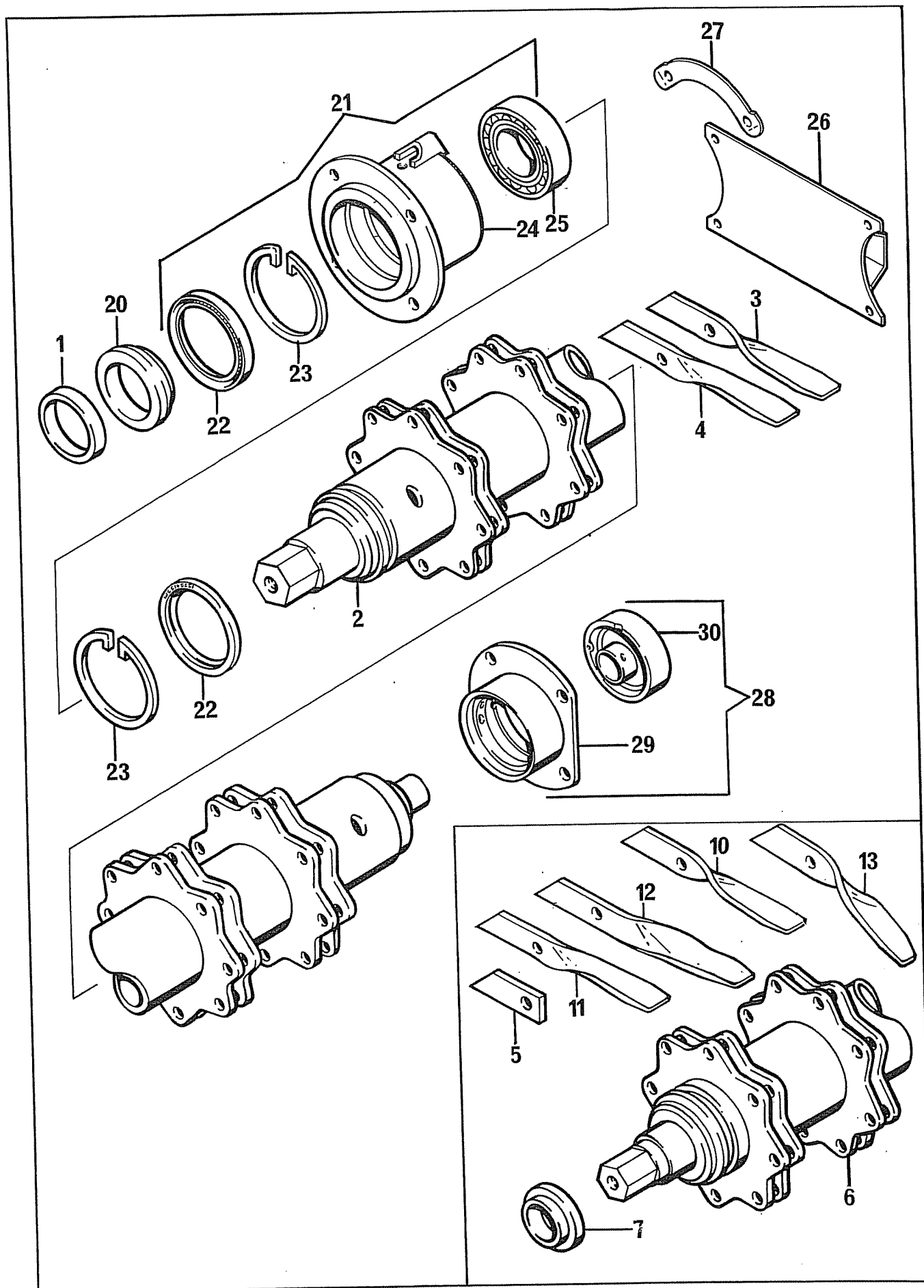
*MAIN PART IN GROUP, RELATED PARTS HAVE SAME REFERENCE NUMBER



REF	PART NO.	DESCRIPTION	QTY
72.320.02 5000 MODEL			
01	03.973.02	SPACER 4"O/D X 3.1/4" I/D X 25MM	2
*02	04.331.02	ROTOR SHAFT-FRONT 12 STATION	1
02	06.774.02	ROTOR SHAFT-FRONT 13 STATION	1
03	05.282.03	SPRING WASHER 12MM PLATED	100
03	05.775.09	BOLT - M12 X 42 (METRIC FINE)	100
03	05.968.03	SELF LOCKING NUT M12 (FINE)	100
*03	41896.01	TINE - 50 X 351 JUMBO	100
04	05.282.03	SPRING WASHER 12MM PLATED	100
04	05.775.09	BOLT - M12 X 42 (METRIC FINE)	100
04	05.968.03	SELF LOCKING NUT M12 (FINE)	100
*04	41896.02	TINE AC/W TWIST 50 X 351	100
05	05.282.03	SPRING WASHER 12MM PLATED	104
05	05.775.09	BOLT - M12 X 42 (METRIC FINE)	104
05	05.968.03	SELF LOCKING NUT M12 (FINE)	104
*05	06.950.01	PLATE-TINE SPACER 50MM (TRIAL)	104
06	09.039.01	ROTOR SHAFT-REAR 13 STATION	2
07	04.281.01	COLLAR 4"O/D X 25MM	2
10	05.282.03	SPRING WASHER 12MM PLATED	27
10	05.775.09	BOLT - M12 X 42 (METRIC FINE)	27
10	05.968.03	SELF LOCKING NUT M12 (FINE)	27
*10	41896.01	TINE - 50 X 351 JUMBO	27
11	05.282.03	SPRING WASHER 12MM PLATED	27
11	05.775.09	BOLT - M12 X 42 (METRIC FINE)	27
11	05.968.03	SELF LOCKING NUT M12 (FINE)	27
*11	41896.02	TINE AC/W TWIST 50 X 351	27
12	05.282.03	SPRING WASHER 12MM PLATED	25
12	05.775.09	BOLT - M12 X 42 (METRIC FINE)	25
12	05.968.03	SELF LOCKING NUT M12 (FINE)	25
*12	41895.01	TINE LH CRANK 50 X 351	25
13	05.282.03	SPRING WASHER 12MM PLATED	25
13	05.775.09	BOLT - M12 X 42 (METRIC FINE)	25
13	05.968.03	SELF LOCKING NUT M12 (FINE)	25
*13	41895.02	TINE RH CRANK 50 X 351	13

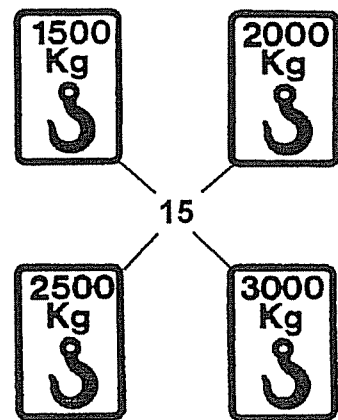
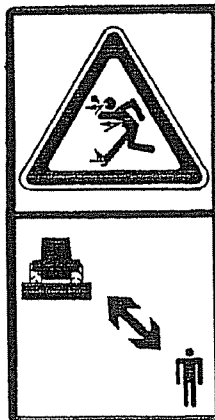
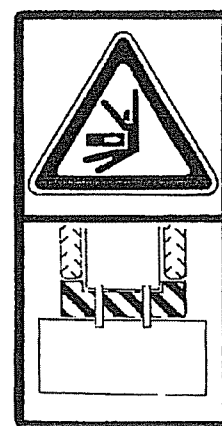
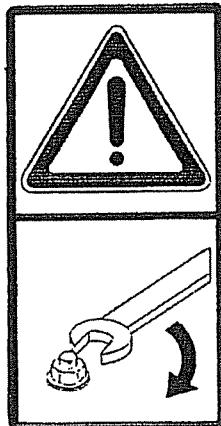
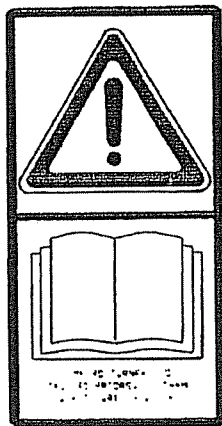
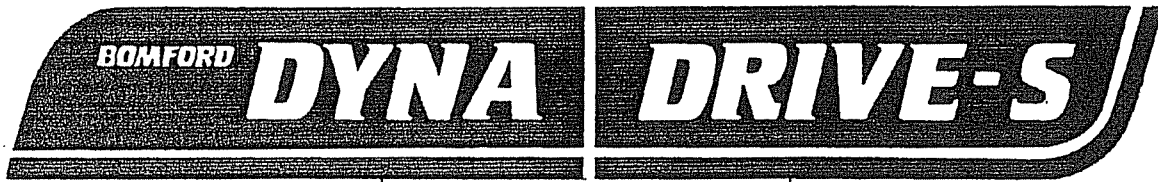
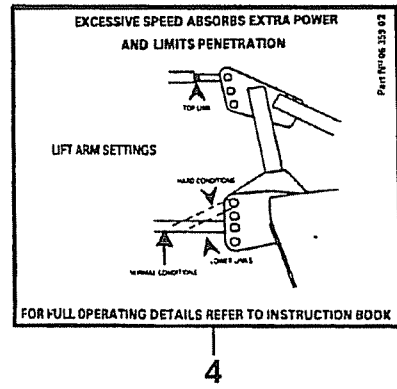
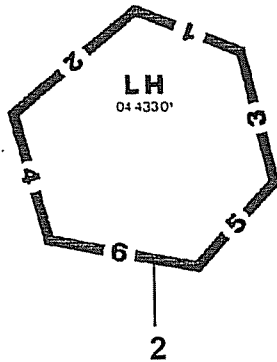
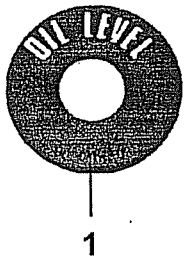
FOR BEARING PART NUMBERS SEE PAGE 5 - 4

*MAIN PART IN GROUP, RELATED PARTS HAVE SAME REFERENCE NUMBER



ROTOR SHAFT AND BEARING ASSEMBLIES
(4000 AND 5000)

REF	PART NO.	DESCRIPTION	QTY	SERIAL NO. FROM - TO
72.366.01 72.367.02		BEARING ASSEMBLIES		
*20	04.170.02	COLLAR 115 O/D X 21MM	4	
21	04.507.18	BEARING HOUSING ASSY (INC ITEMS 22-25)	4	
*22	04.164.01	SEAL-LIP 115 DIA X 13MM	-	
*23	05.959.08	CIRCLIP - INT 140MM DIA	-	
*24	04.286.02	HOUSING - BEARING 80MM SR	-	
24	05.953.03	GREASE NIPPLE M10	-	
*25	04.163.01	BEARING-SPH.ROLLER 80MM BORE	-	
*26	07.383.01	STRUT-BRG HSG (BOLT ON) (DD 5000 ONLY)	2 -	- 2281D
26	08.850.01	BOLT-ON STRUT - SHORT	2	- 2281D
27	05.264.34	SETSCREW M16 X 35MM PLATED	8	
27	05.287.04	SELF-LOCKING NUT M16 PLATED	16	
27	05.291.34	BOLT M16 X 45MM PLATED	8	
*27	07.496.01	PLATE-LOCKING -PLATED	8	
*28	04.507.03	55MM BEARING HOUSING PROD.ASSY (INC 27,28)	4	
28	05.264.35	SETSCREW M16 X 40MM PLATED	8	
28	05.287.04	SELF-LOCKING NUT M16 PLATED	8	
*29	04.069.01	BEARING HOUSING	-	
29	05.264.22	SETSCREW M12 X 25MM PLATED	-	
29	05.282.03	SPRING WASHER 12MM PLATED	-	
29	05.953.03	GREASE NIPPLE M10	-	
*30	04.046.02	BEARING ASSY - CART. 55MM BORE	-	



REF	PART NO.	DESCRIPTION	QTY	
*01	03.786.03	INSTRUCTION PLATE - OIL LEVEL	1	DD20/26/30
01	03.786.03	INSTRUCTION PLATE - OIL LEVEL	2	DD40/50
*02	04.433.01	DECAL - CRUMBLER ADJUSTMENT L.H.	1	
03	04.433.02	DECAL - CRUMBLER ADJUSTMENT R.H.	1	
*04	06.359.02	DECAL "EXCESSIVE SPEED"	1	
*05	09.056.01	DECAL - DYNA	1	
*06	09.057.01	DECAL - DRIVE-S	1	
*07	09.810.01	DECAL - GREASE (8 HOURS)	6	DD20/26/30
07	09.810.01	DECAL - GREASE (8 HOURS)	10	DD40/50
*08	09.810.04	DECAL - OIL FILLER (SAE 30)	1	DD20/26/30
08	09.810.04	DECAL - OIL FILLER (SAE 30)	2	DD40/50
*09	09.810.05	DECAL - OIL LEVEL	1	DD20/26/30
09	09.810.05	DECAL - OIL LEVEL	2	DD40/50
*10	09.821.01	DECAL - READ INSTRUCTION BOOK	1	
*11	09.821.10	DECAL - KEEP NUTS TIGHT	1	
*12	09.821.16	DECAL - KEEP OUT ZONE	1	
*13	09.821.17	DECAL - UNSUPPORTED MACHINE	1	
*14	09.821.18	DECAL - THROWN DEBRIS	1	
*15	09.843.06	DECAL - LIFT POINT 1500KG	2	DD20/26
*15	09.843.07	DECAL - LIFT POINT 2000KG	2	DD30
*15	09.843.08	DECAL - LIFT POINT 2500KG	2	DD40
*15	09.843.10	DECAL - LIFT POINT 3000KG	2	DD50