

IM1738

DEBRIS BLOWER

***INSTRUCTION MANUAL
&
REPLACEMENT PARTS INFORMATION***

***ISSUE 4
(20/03/12)***

IMPORTANT

NOTE HERE THE SERIAL NUMBER OF YOUR MACHINE AND ALWAYS QUOTE IT IN ANY COMMUNICATION WITH US OR YOUR DEALER. THIS IS PARTICULARLY IMPORTANT WHEN ORDERING SPARES. REMEMBER TO INCLUDE ALL NUMBERS AND LETTERS.

MACHINE SERIAL NUMBERS _____

THE INFORMATION GIVEN THROUGHOUT THIS MANUAL IS CORRECT AT THE TIME OF PUBLICATION. HOWEVER, IN THE COURSE OF CONSTANT DEVELOPMENT OF BOMFORD TURNER MACHINES, CHANGES IN SPECIFICATION ARE INEVITABLE. SHOULD YOU FIND THE INFORMATION GIVEN IN THIS BOOK TO BE AT VARIANCE WITH THE MACHINE IN YOUR POSSESSION, YOU ARE ADVISED TO CONTACT THE BOMFORD TURNER SERVICE DEPARTMENT WHERE UP-TO-DATE INFORMATION WILL BE PROVIDED.

THE MANUAL CAN CONTAIN STANDARD AND OPTIONAL FEATURES AND IS NOT TO BE USED AS A MACHINE SPECIFICATION.

THE MACHINE HAS BEEN TESTED AND IS CONSIDERED SAFE IF CAREFULLY USED ENSURE YOUR OPERATOR IS PROPERLY TRAINED IN ITS USE AND MAINTENANCE.

IMPORTANT

NOTEZ ICI LES NUMEROS DE SERIE DE VOTRE MACHINE ET MENTIONNEZ LES DANS TOUTE COMMUNICATION AVEC NOS SERVICES OU VOTRE REVENDEUR. CECI EST IMPORTANT POUR LA COMMANDE DE PIECES DETACHEES. PENSEZ A NOTER TOUS LES NUMEROS ET TOUTES LES LETTERS.

NUMEROS DE SERIE DE LA MACHINE _____

LES INFORMATIONS DONNEES DANS CE MANUEL SONT CORRECTES CEPENDANT, DU FAIT DE DEVELOPPEMENT CONSTANT DES MACHINES BOMFORD TURNER.

CHANGEMENTS DANS LES CARACTERISTIQUES SONT INEVITABLES.

SI VOUS TROUVEZ QUE LES INFORMATIONS DONNEES NE CORRESPONDENT PAS A VOTRE MACHINE VEUILLEZ CONTACTER LE SERVICE DES REPARATIONS OU DES INFORMATIONS PLUS RECENTES VOUS SERONT DONNEES.

CE MANUEL PEUT MONTRER DES CARACTERISTIQUES OPTIONNELLES ET NE PEUT PAS ETRE CONSIDERE COMME SPECIFICATION DE LA MACHINE.

CETTE MACHINE A ETE TESTEE, ET ELLE EST CONSIDEREE COMME FIABLE A CONDITION D'UNE BONNE UTILISATION. ASSUREZ-VOUS QUE VOTRE OPERATEUR EST QUALIFIE EN CE QUI CONCERNE L'UTILISATION DE LA MACHINE AINSI QUE SON ENTRETIEN.

WICHTIG

TRAGEN SIE HIER DIE SERIENNUMMERN IHRER MASCHINE EIN UND GEBEN SIE DIESE IMMER AN, WENN SIE SICH AN UNS ODER IHREN HÄNDLER WENDEN. DAS IST BESONDERS BEI ERSATZTEILBESTELLUNGEN WICHTIG. VERGESSEN SIE NICHT, ALLE ZAHLEN UND BUCHSTABEN ZU NOTIEREN.

SERIENNUMMERN DER MASCHINE _____

DIE ANGABEN IN DIESEM HANDBUCH SIND BEI VERÖFFENTLICHUNG KORREKT. AUFGRUND DER KONSTANTEN WEITERENTWICKLUNG VON BOMFORD TURNER MASCHINEN SIND JEDOCHÄNDERUGDEN IN DER SPEZIFIKATION UNVERMEIDLICH. WENN DIE INFORMATION IN DIESEM HANDBUCH NICHT MIT IHRER MASCHINE ÜBEREINSTIMMEN, NEHMEN SIE BITTE KONTAKT MIT DER BOMFORD TURNER KUNDENDIENSTABTEILUNG AUF, DIE IHNEN GERNE DIE AKTUELLEN INFORMATION ZUKOMMEN LÄSST.

DAS HANDBUCH KANN SOWOHL BESCHREIBUNGEN FÜR DIE STANDARD AUSFÜHRUNG ALS AUCH FÜR ZUBEHÖR ENTHALTEN UND IST NICHT ALS MASCHINENSPEZIFIKATION ZU VERWENDET.

DIE MASCHINE IST GETESTET UND BEI SACHGEMÄSSEM BETRIEB ALS SICHER BEFUNDEN WORDEN. SORGEN SIE DAFÜR, DASS IHR BEDIENPERSONAL IN ANWENDUNG UND WARTUNG RICHTIG GESCHULT WIRD.

EC DECLARATION OF CONFORMITY
Conforming to EU Directive 2006/42/EC

We,

Of BOMFORD TURNER LIMITED, Station Road, Salford Priors, Evesham, Worcestershire,
WR11 8SW, UK

Declare that we are the authorised representative, responsible for the product (type);

Reach Arm attachment	Product Code
DEBRIS BLOWER	DBLO

A arm mowing attachment.

Serial No(s). & Date:.....

Designed and Manufactured: UK

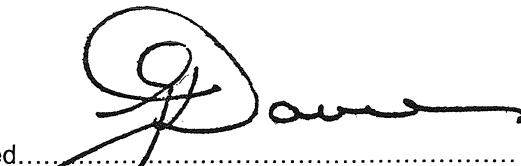
This product complies with the required provisions of;

- Directive 2006/42/EC
- Directive 2004/108/EC
- BS EN ISO 12100-1:2010

And other national standards associated with its design and construction as listed in its technical file.

BOMFORD TURNER LIMITED operates an ISO 9001:2008 quality management system.
This system is accredited by;

BSI, Beech House, Linford Wood, Milton Keynes, UK, MK14 6ES
BSI identification number: UKAS 003
Bomford Turner certificate number: FM 34659

Signed.....


On behalf of BOMFORD TURNER LTD Responsible person

Status: Managing Director

Date: 02/01/2010

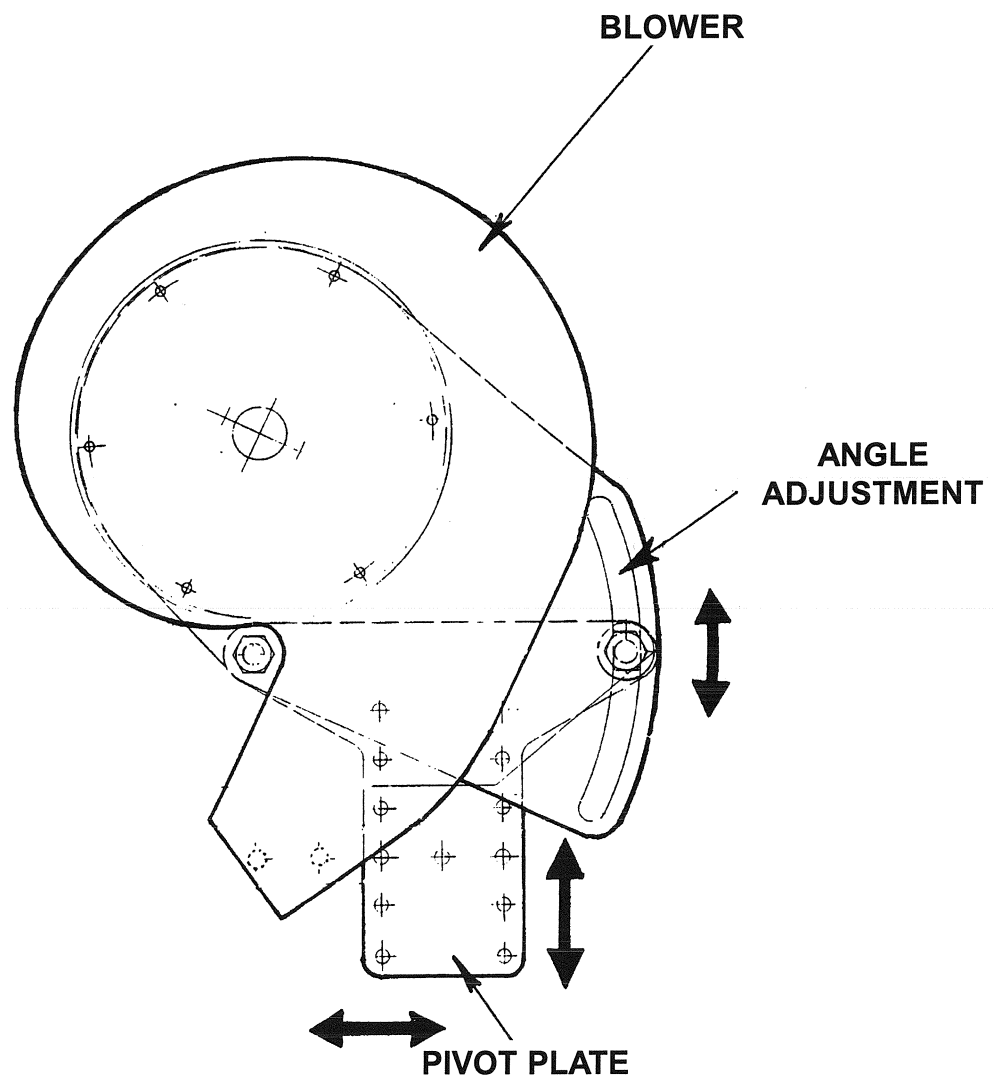
INTRODUCTION

The Bomford Debris Blower is a self contained unit which blows the debris generated during flail cutting off the highway and onto the verge. High and low flow versions are available to suit different models of tractor. If unsure please contact Bomford Turner for advice.

The debris blower is mounted on brackets attached to the hedge cutter and is powered by the tractors hydraulic system.

Mounting brackets are available for various Bomford machines if your particular model is not included in these instructions please consult Bomford Turner Service Department.

The angle of the blower may be varied to suit prevailing conditions

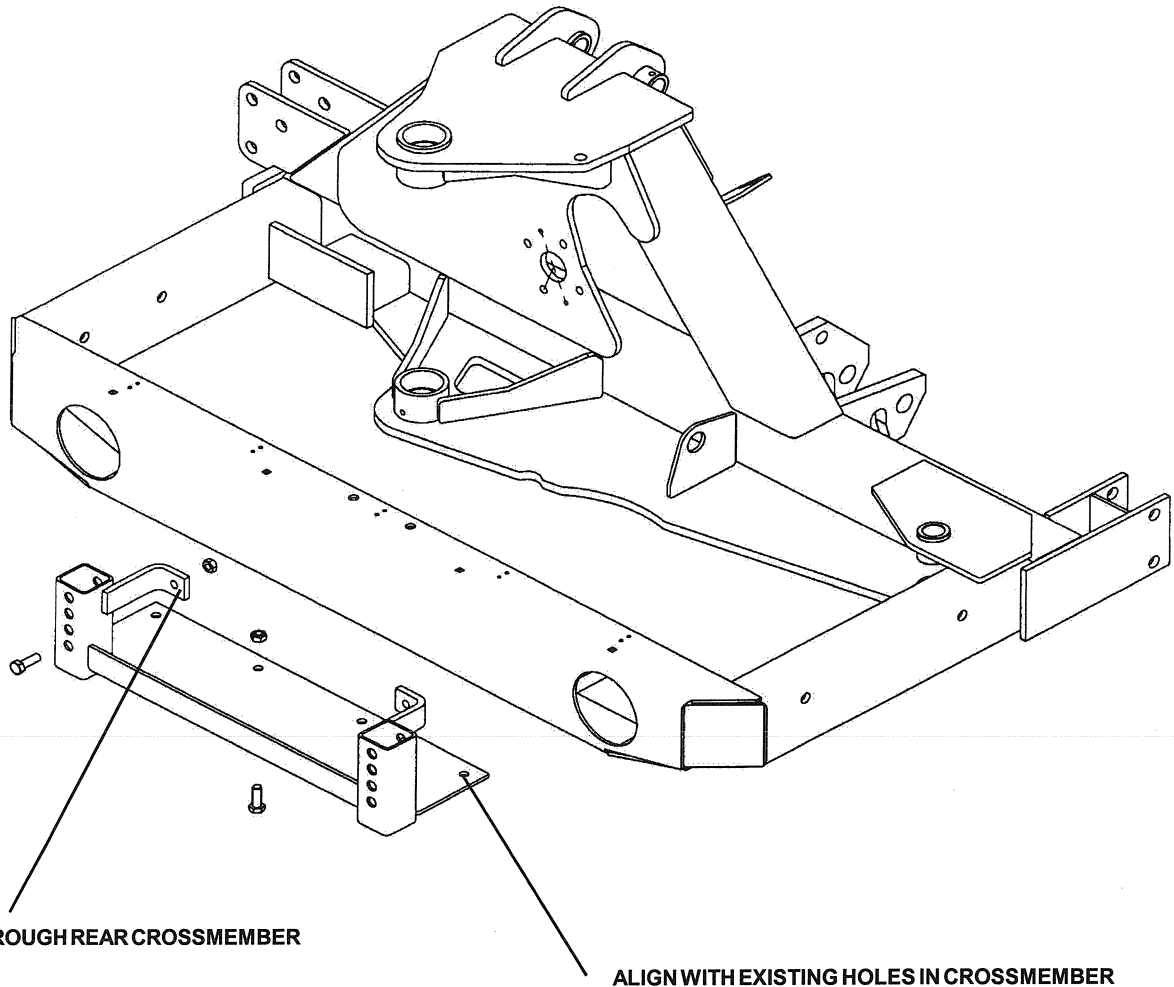


Debris blowers are suitable for use with hedge cutters with T.I. (totally independent) hydraulics :- two pumps (one for the arms and one for the cutting head) and S.I. (semi independent) hydraulics :- single pump (for the cutting head); the arms being powered from the tractors hydraulics.

Fitting (Hawk, Falcon and Buzzard Range)

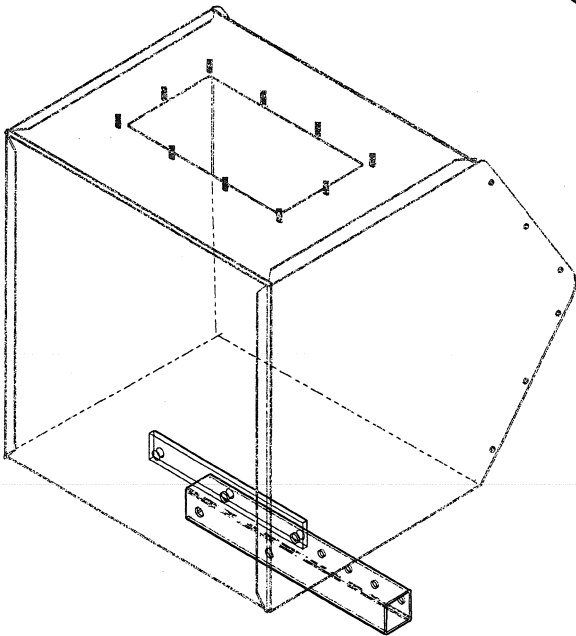
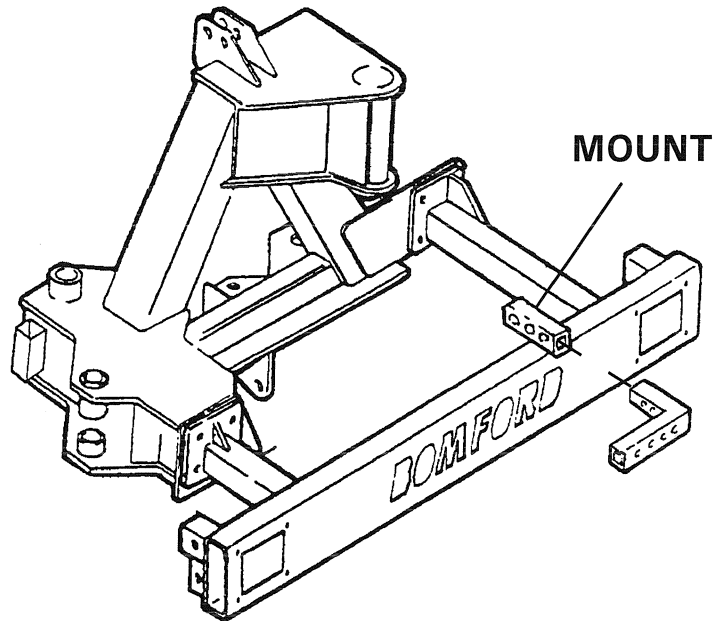
It will be necessary to drill holes in the rear crossmember/light mounting to fit the debris blower. If lights are fitted these should not be obscured when the debris blower is attached.

Position the mounting bracket (46203.01) in the desired position on the mower main frame. The bottom face of the rear rear crossmember has a series of pre-drilled holes to mount the debris blower. When satisfied with the position bolt to the crossmember with 4 of the M12 setscrews provided (05.264.24) and M12 locking nuts 05.287.03). Drill two 12mm holes through the rear face of the crossmember using the mounting bracket as a guide and fit the two remaining setscrews and nuts. Fully tighten all nuts and bolts.

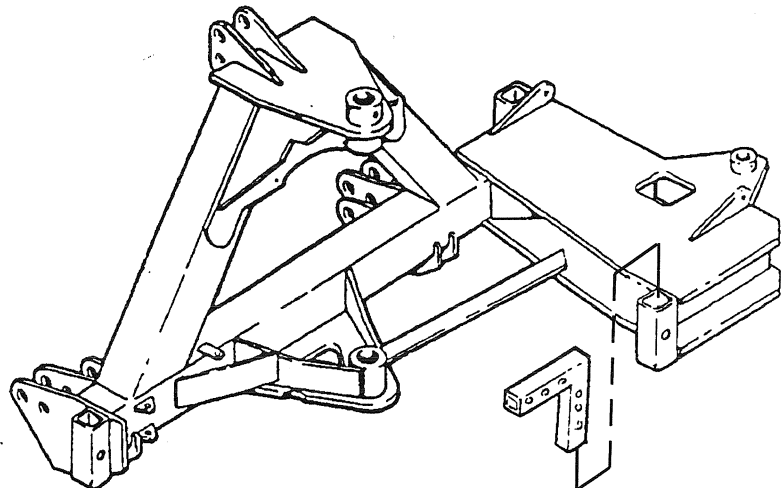


Fitting (Older Machines)

A box section socket housing must be welded to the frame of the hedgecutter concerned in the location shown below.



**MOUNT FOR
B408, B458 & B508**



Fitting (All Models)

The short side of the 'L' shaped mounting bracket (73 192 75) is located in the box section socket and is positioned pointing outboard on all models. The bracket has a series of holes to allow for adjustment in the socket. On finalising its position secure with two set screws.

A 'T' shaped plate which carries the blower is bolted to the 'L' shaped bracket, both have a series of holes which allow for vertical and lateral adjustment.

The blower carrier bracket which is bolted to the 'T' plate has a radial slot to allow angular adjustment of the blower.

Note:- When fitting is complete there should be 36mm (1½ ins) clearance between the rear of the tank and the blower motor. The box section socket housing will need to be cut to suit after careful measurement ensuring that there is a minimum two hole engagement for the 'L' shaped bracket. On remaining models the best position for the weld on the box socket can be arrived at by offering up the complete blower assembly with the adjustments in mid position to establish the required position prior to clamping and welding. It is the aim to mount the blower as far as possible towards the outer edge of the tank to give maximum coverage of the road. The height to the centre of the blower from the ground should be approximately 650mm (26 ins) whilst the angle is decided by operation experimentation.

These settings are recommendations for general flail operations. It is permissible to vary the mounting positions should special individual conditions require it.

TRACTOR OIL FLOW RATES

Tractors with closed centre hydraulic system or with an oil flow capacity of less than 36l/min should be fitted with the low flow debris blower. For those with a capacity 36l/min and above a high flow debris blower should be fitted.

Working a high flow blower on a low flow tractor will result in considerably reduced blow.

Using a low flow blower on a high flow tractor will result in the same degree of blow but will cause the oil to overheat.

CONNECTIONS FOR TRACTORS WITH OPEN CENTRE HYDRAULICS

For debris blowers that are fitted to T.I. machines

The pressure supply hose is taken from the tractor's single acting auxiliary service and connected to the flow control valve block opposite the hexagon head of the valve.

The return hose from the motor is connected to the tractor's transmission casing. The oil must be returned beneath the transmission casing oil level. Contact your dealer for the correct procedure for individual tractors.

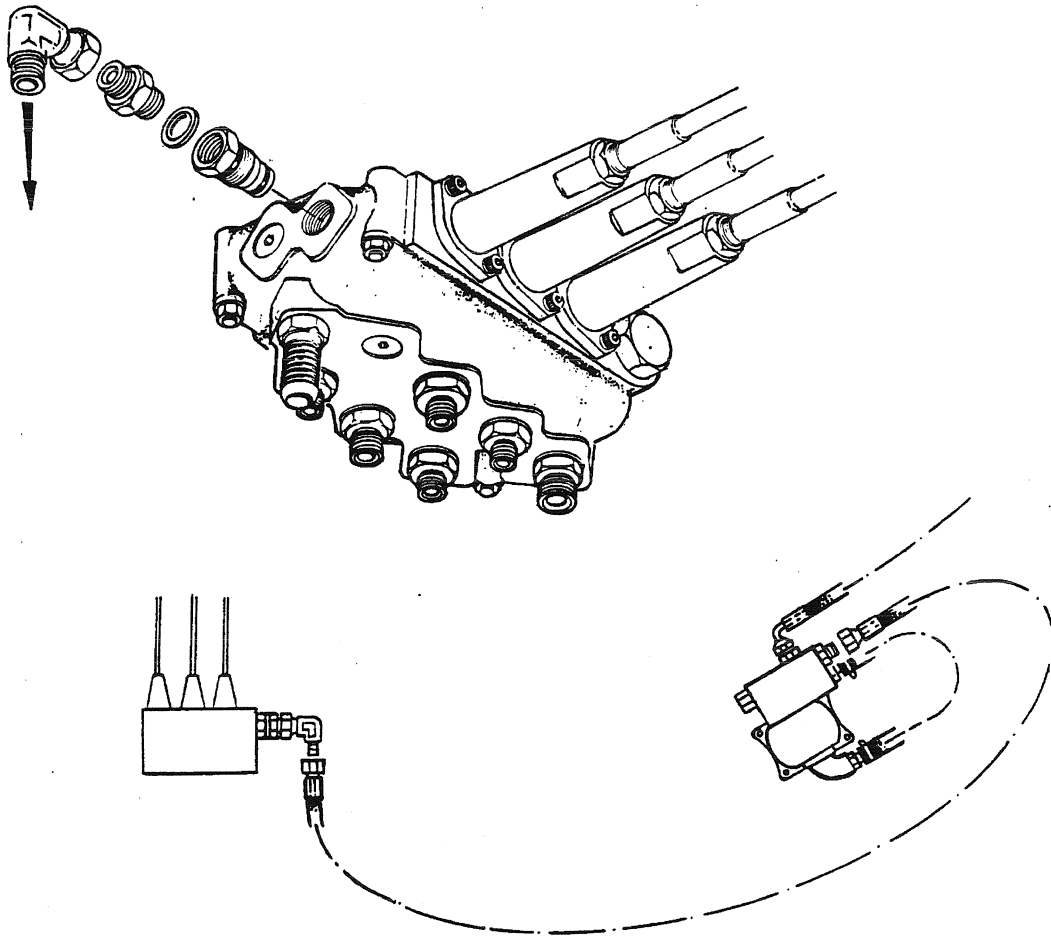
Note:- Where oil is returned to the transmission casing it may be necessary to extend the return hose.

CAUTION:- Connecting the return hose to a tractor's double acting spool can result in a blown shaft seal due to back pressure caused by the fan over-run and restricted return line.

Engagement of the debris blower is by the auxiliary control lever.

For debris blowers that are fitted to S.I. machines

The following modifications need to be carried out.

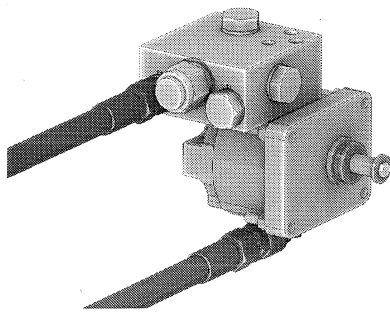


The plug from the end of the pressure gallery on the arm head control valve is removed and replaced with a pressure carry over adaptor, a union and a swivel elbow. the pressure supply to the debris blower is taken from this swivel elbow to the flow control valve block on the blower motor opposite the hexagon head of the valve.

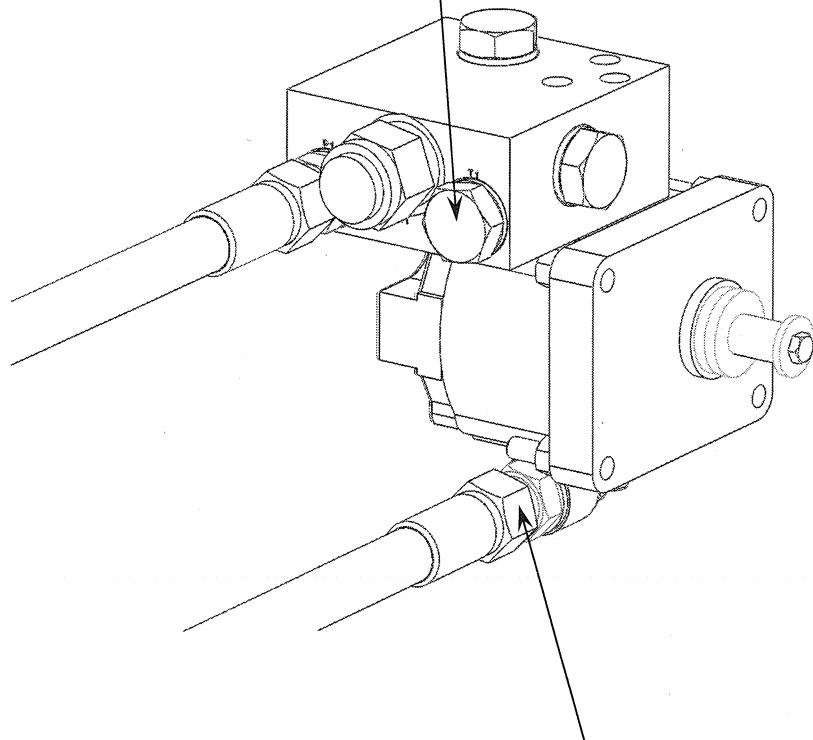
The return hose is returned to the tractor transmission casing as for T.I. machines.

Note:- When debris blowers are fitted to S.I. machines the blower is automatically engaged when the tractors auxillary service is selected to power the arms. It does not have an individual control.

TRACTORS WITH CLOSED CENTRE HYDRAULICS



Remove Tee piece & return hoses from this port and fit blanking plug



Connect the return hose to tractor directly from the motor outlet port

Where tractors have closed centre hydraulics the following modifications to both T.I. and S.I. installations are required.

The Tee piece, the long return hose to tractor and short return hose from the motor outlet port should be removed from port "T1".

Port "T1" should be fitted with a blanking plug as shown in the diagram above.

The long return hose is then connected directly to the motor outlet port and the oil is returned to the tractor direct to the transmission as detailed previously.

IM1738

DEBRIS BLOWER

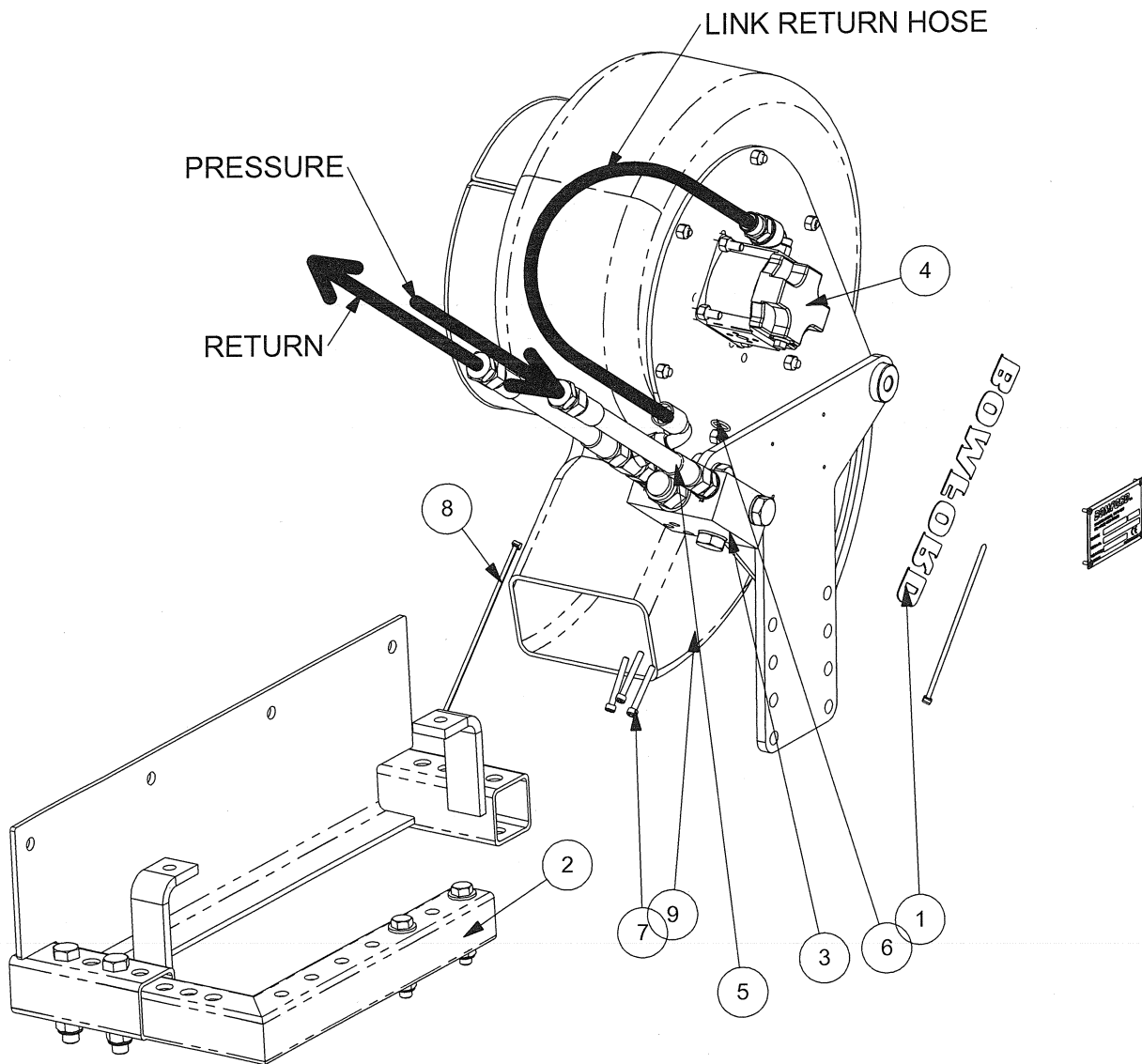
REPLACEMENT PARTS INFORMATION

ISSUE 4

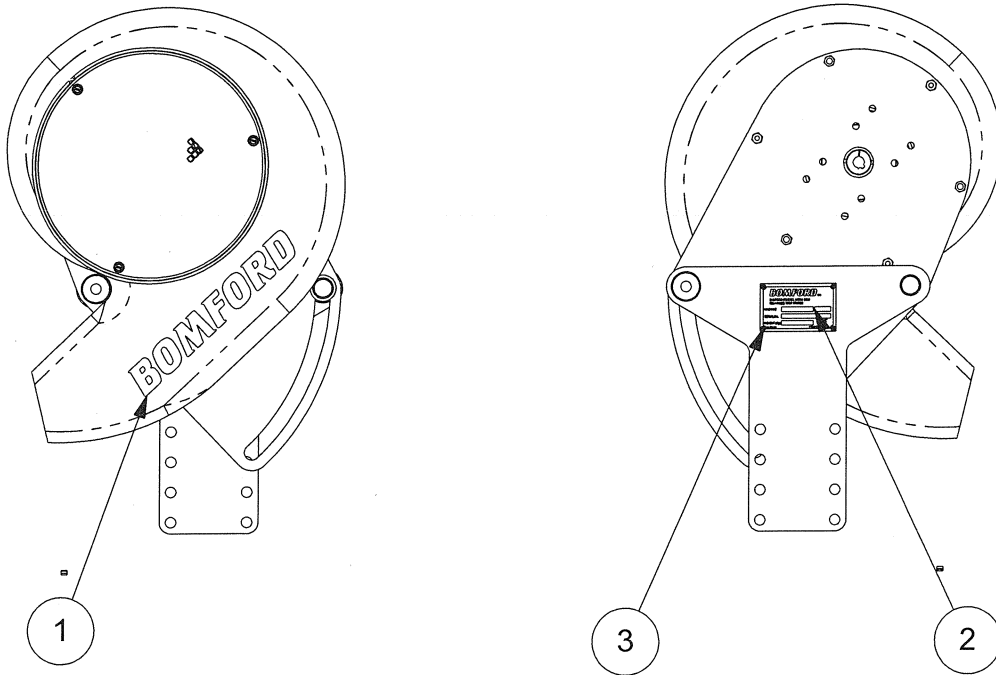
(20/03/12)

DEBRIS BLOWER BOMFORD RH. LOW FLOW

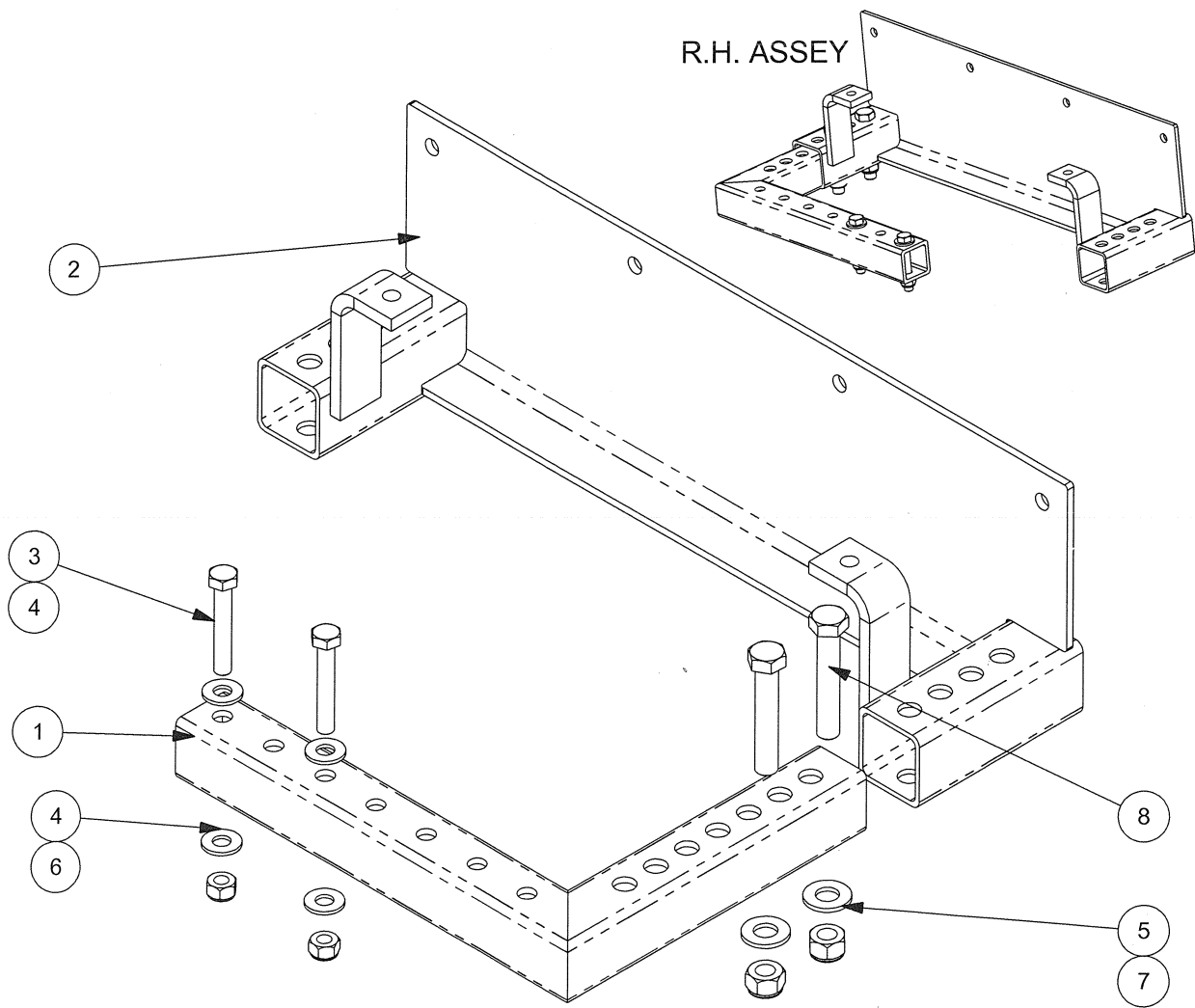
ITEM NO.	PART NUMBER	DESCRIPTION	QTY.
1	7319707	BOMFORD MARKETING DECAL MODULE	1
2	7319709	BOMFORD MOUNTING BRACKET MODULE	1
3	8132315	DEBRIS BLOWER MANIFOLD ASSY	1
4	7319702	DEBRIS BLOWER MOTOR MODULE LOW FLOW	1
5	7319704	DEBRIS BLOWER HYDRAULIC FITTING KIT	1
6	8600112	O RING 642	1
7	9343103	CAPSCREW M6x50	3
8	7135084	CABLE TIE 180MM LG.	1
9	7319700	DEBRIS BLOWER CASING MODULE RH	1



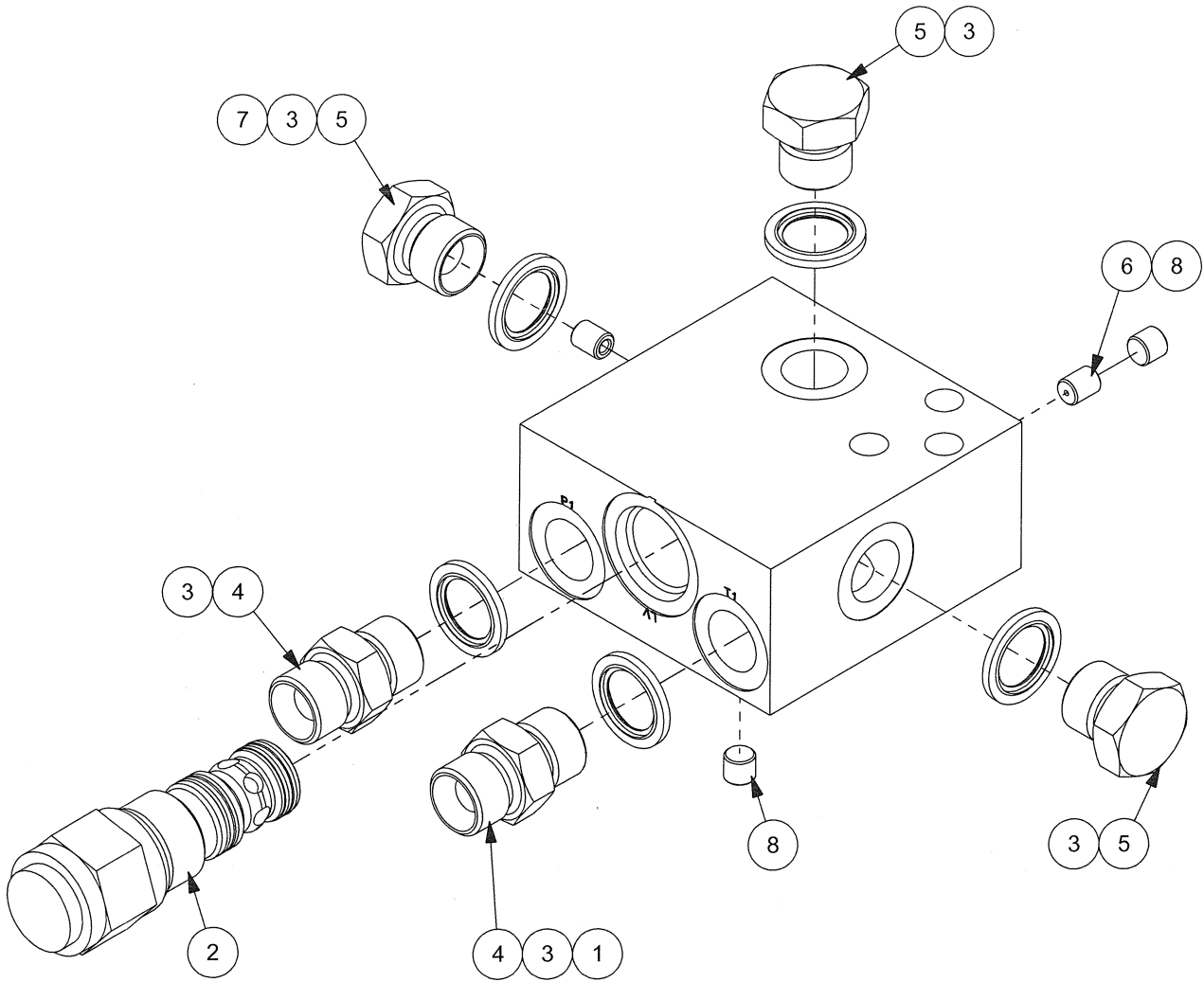
PART NUMBER	DESCRIPTION	ITEM NO.	LH. CONFIG/ QTY.
41.145.02	BOMFORD DECAL 40MM	1	1
41.094.15	BOMFORD SERIAL PLATE	2	1
7103230	1/8" POP RIVET	3	4
7319701	DEBRIS BLOWER CASING MODULE LH	4	1



ITEM NO.	PART NUMBER	DESCRIPTION	Default/QTY.
1	48179.01	DEBRIS BLOWER BRACKET	1
2	46203.01	46203.01	1
3	05.291.30	(USE 9213156) BOLT M12x75	2
4	9100106	FLAT WASHER M12	4
5	9100107	USE 5/8 WASHER 0100106	2
6	9163006	NYLOC NUT M12	2
7	9163007	NYLOC NUT M16	2
8	05.292.32	BOLT M16x90	2



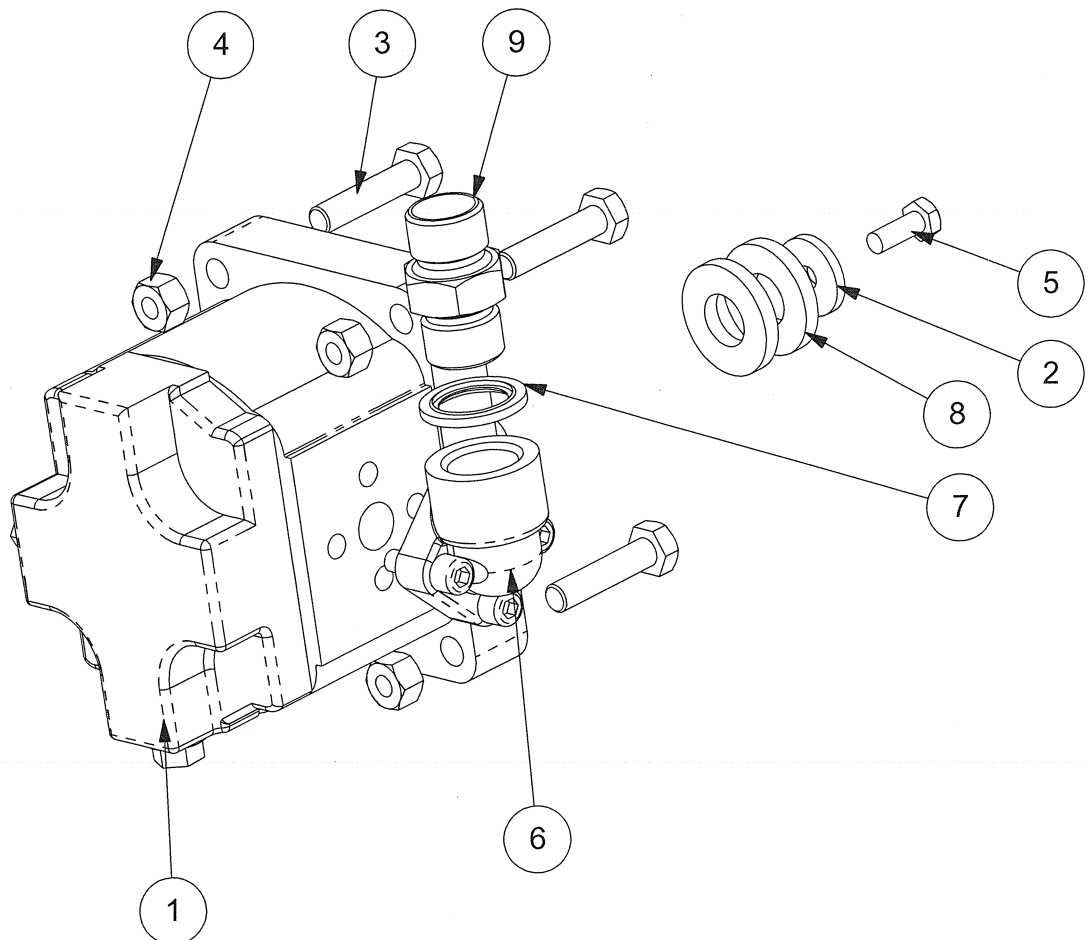
DEBRIS BLOWER MANIFOLD ASSY



3.9MM RESTRICTOR AT 5.5BAR SPRING PRESSURE GIVES 24.3LPM
 8CC MOTOR AT 24.3LPM GIVES 3000RPM

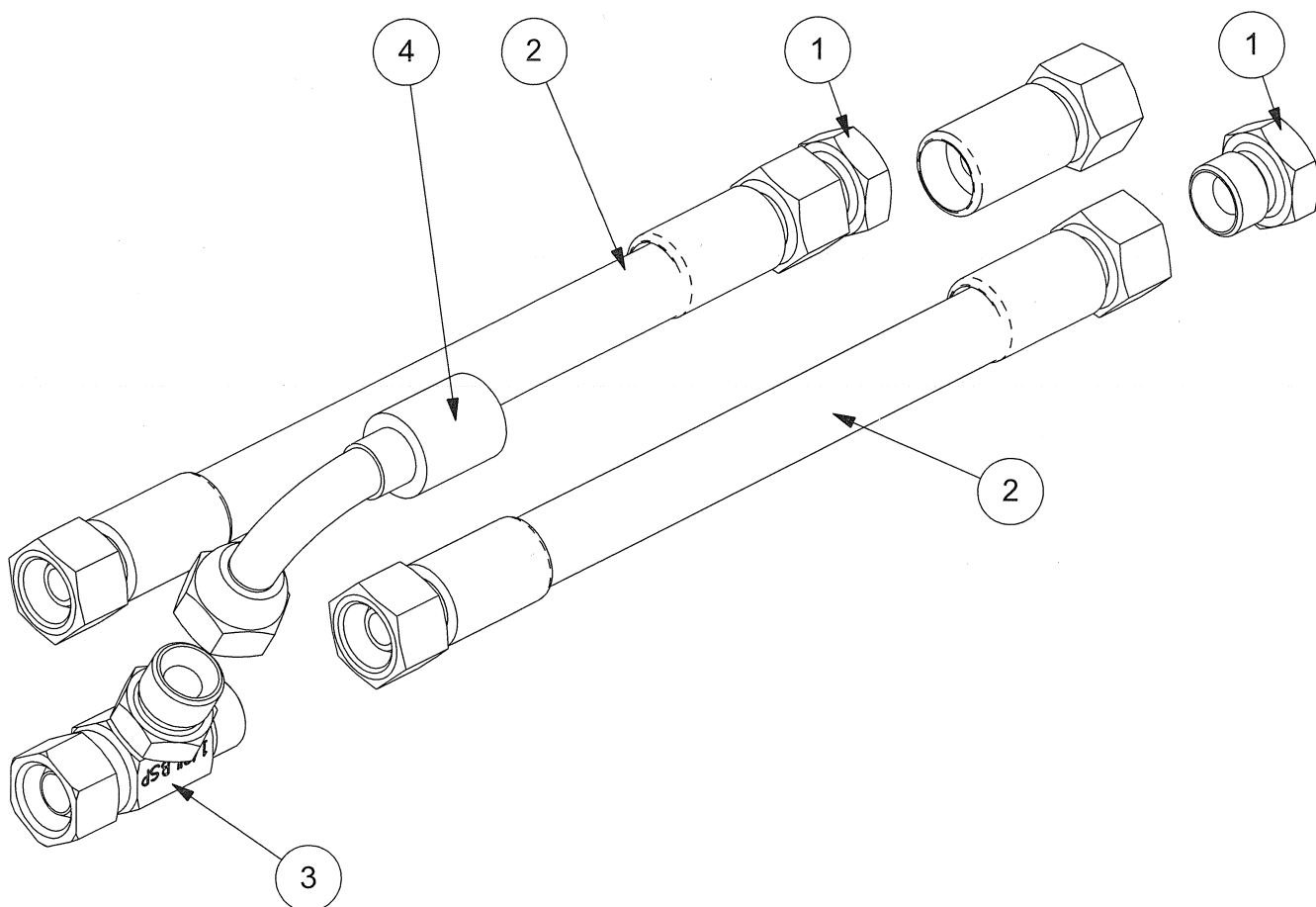
ITEM NO.	PART NUMBER	DESCRIPTION	QTY.
1	8132312	DEBRIS BLOWER MANIFOLD	1
2	8104048	EATON LOGIC VALVE	1
3	8650104	BONDED SEAL 1/2" BSP"	5
4	8581110	1/2" BSP MM ADAPTOR	2
5	05.433.06	PLUG-1/2" BSP WITH CONE PLATED	3
6	9363056	M8 x 10 GRUB SCREW 0.7M RESTRICTOR	1
7	9363060	M8 x 10 GRUB SCREW 3.9MM RESTRICTOR	1
8	8582041	TAPER PLUG 1/8" BSPT	2

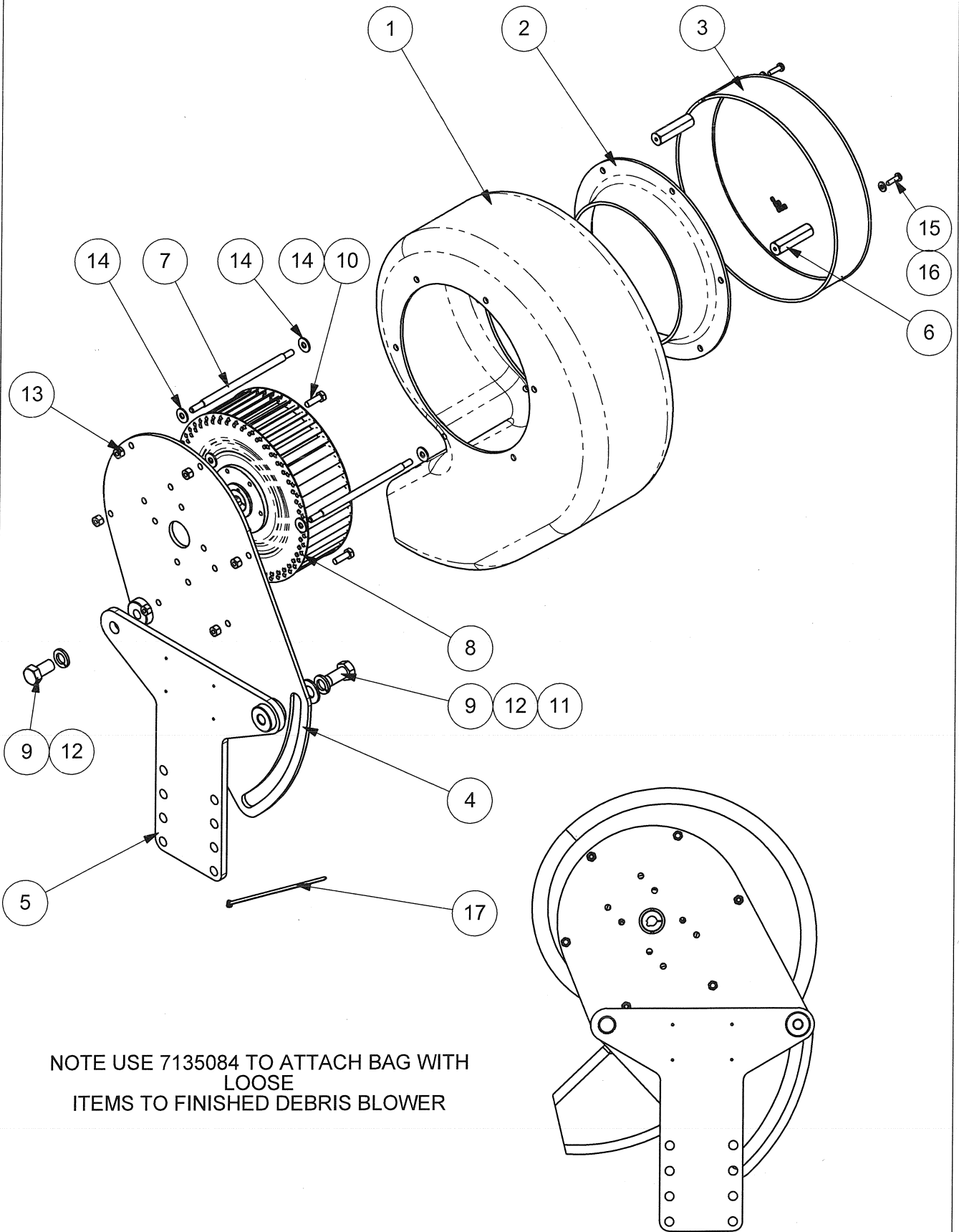
ITEM NO.	QTY	PART NUMBER	DESCRIPTION
1	1	8301317	HYD MOTOR 8cc 250BAR BB SEAL
2	1	7319013	SPECIAL WASHER
3	4	9213074	BOLT M8x35
4	4	9143004	M8 CLEVELOC (USE 9163004)
5	1	9313033	SETSCREW M6x16
6	1	8301045	ELBOW C/W CAPS, O RING
7	1	8650104	BONDED SEAL 1/2"BSP"
8	2	7319014	SPACER-DEBRIS BLOWER
9	1	8581110	1/2"BSP MM ADAPTOR



DEBRIS BLOWER HYDRAULIC FITTING KIT

PART NUMBER	DESCRIPTION	ITEM NO.	QTY.
05.433.06	PLUG-1/2" BSP WITH CONE PLATED	1	2
10.005.30	1/2"BSP FS/FS 2000MM LG HOSE	2	2
8581296	TEE 1/2" BSP FMM	3	1
10.006.07	1/2" BSP FS/F90 350	4	1





ITEM NO.	PART NUMBER	DESCRIPTION	Default/QTY.
1	7319270	FAN CASING	1
2	7319271	SHROUD	1
3	7319272	MESH GUARD - DEBRIS BLOWER	1
4	7319273	W/ASSY-BACKPLATE	1
5	7319274	W/ASSY-PIVOT PLATE	1
6	7319004	GUARD SPACER	3
7	7319005	CASING SPACER	3
8	7319008	BLOWER WHEEL RH	1
9	9313067	SETSCREW M16x30	2
10	9313054	SETSCREW M8x25	3
11	0100106	5/8" FLAT WASHER	1
12	9100207	SPRING WASHER M16	2
13	9143004	M8 CLEVELOC (USE 9163004)	6
14	9100104	FLAT WASHER M8	9
15	9383043	M6 X 20 SLOTTED SETSCREW	3
16	9100103	FLAT WASHER M6	3
17	7135084	CABLE TIE 180MM LG.	1

