

PM 1890

CONDOR
BC1600 & BC2000
VERGE MOWER

PARTS MANUAL

ISSUE 2

IMPORTANT

NOTE HERE THE SERIAL NUMBER OF YOUR MACHINE AND ALWAYS QUOTE IT IN ANY COMMUNICATION WITH US OR YOUR DEALER. THIS IS PARTICULARLY IMPORTANT WHEN ORDERING SPARES. REMEMBER TO INCLUDE ALL NUMBERS AND LETTERS.

MACHINE SERIAL NUMBERS _____

THE INFORMATION GIVEN THROUGHOUT THIS MANUAL IS CORRECT AT THE TIME OF PUBLICATION. HOWEVER, IN THE COURSE OF CONSTANT DEVELOPMENT OF BOMFORD TURNER MACHINES, CHANGES IN SPECIFICATION ARE INEVITABLE. SHOULD YOU FIND THE INFORMATION GIVEN IN THIS BOOK TO BE AT VARIANCE WITH THE MACHINE IN YOUR POSSESSION, YOU ARE ADVISED TO CONTACT THE BOMFORD TURNER SERVICE DEPARTMENT WHERE UP-TO-DATE INFORMATION WILL BE PROVIDED. THE MANUAL CAN CONTAIN STANDARD AND OPTIONAL FEATURES AND IS NOT TO BE USED AS A MACHINE SPECIFICATION.

THE MACHINE HAS BEEN TESTED AND IS CONSIDERED SAFE IF CAREFULLY USED. ENSURE YOUR OPERATOR IS PROPERLY TRAINED IN ITS USE AND MAINTENANCE.

IMPORTANT

NOTEZ ICI LES NUMEROS DE SERIE DE VOTRE MACHINE ET MENTIONNEZ LES DANS TOUTE COMMUNICATION AVEC NOS SERVICES OU VOTRE REVENDEUR. CECI EST IMPORTANT POUR LA COMMANDE DE PIECES DETACHEES. PENSEZ A NOTER TOUS LES NUMEROS ET TOUTES LES LETTERS.

NUMEROS DE SERIE DE LA MACHINE _____

LES INFORMATIONS DONNEES DANS CE MANUEL SONT CORRECTES CEPENDANT, DU FAIT DE DEVELOPPEMENT CONSTANT DES MACHINES BOMFORD TURNER.

CHANGEMENTS DANS LES CARACTERISTIQUES SONT INEVITABLES.

SI VOUS TROUVEZ QUE LES INFORMATIONS DONNEES NE CORRESPONDENT PAS A VOTRE MACHINE VEUILLEZ CONTACTER LE SERVICE DES REPARATIONS OU DES INFORMATIONS PLUS RECENTES VOUS SERONT DONNEES.

CE MANUEL PEUT MONTRER DES CARACTERISTIQUES OPTIONNELLES ET NE PEUT PAS ETRE CONSIDERE COMME SPECIFICATION DE LA MACHINE.

CETTE MACHINE A ETE TESTEE, ET ELLE EST CONSIDEREE COMME FIABLE A CONDITION D'UNE BONNE UTILISATION. ASSUREZ-VOUS QUE VOTRE OPERATEUR EST QUALIFIE EN CE QUI CONCERNE L'UTILISATION DE LA MACHINE AINSI QUE SON ENTRETIEN.

WICHTIG

TRAGEN SIE HIER DIE SERIENNUMMERN IHRER MASCHINE EIN UND GEBEN SIE DIESE IMMER AN, WENN SIE SICH AN UNS ODER IHREN HÄNDLER WENDEN. DAS IST BESONDERS BEI ERSATZTEILBESTELLUNGEN WICHTIG. VERGESSEN SIE NICHT, ALLE ZAHLEN UND BUCHSTABEN ZU NOTIEREN.

SERIENNUMMERN DER MASCHINE _____

DIE ANGABEN INDIESEM HANDBUCH SIND BEI VERÖFFENTLICHUNG KORREKT. AUFGRUND DER KONSTANTEN WEITERENTWICKLUNG VON BOMFORD TURNER MASCHINEN SIND JEDOCHÄNDERUGDEN IN DER SPEZIFIKATION UNVERMEIDLICH. WENN DIE INFORMATION IN DIESEM HANDBUCH NICHT MIT IHRER MASCHINE ÜBEREINSTIMMEN, NEHMEN SIE BITTE KONTAKT MIT DER BOMFORD TURNER KUNDENDIENSTABTEILUNG AUF, DIE IHNEN GERNE DIE AKTUELLEN INFORMATION ZUKOMMEN LÄSST.

DAS HANDBUCH KANN SOWOHL BESCHREIBUNGEN FÜR DIE STANDARD AUSFÜHRUNG ALS AUCH FÜR ZUBEHÖR ENTHALTEN UND IST NICHT ALS MASCHINENSPEZIFIKATION ZU VERWENDET.

DIE MASCHINE IST GETESTET UND BEI SACHGEMÄSSEM BETRIEB ALS SICHER BEFUNDEN WORDEN. SORGEN SIE DAFÜR, DASS IHR BEDIENPERSONAL IN ANWENDUNG UND WARTUNG RICHTIG GESCHULT WIRD.

CONDOR BC1600 & BC2000

*PAGE AND ILLUSTRATION NUMBERS SHOWN ARE USED ONLY FOR REFERENCE PURPOSES
AND SHOULD NOT BE USED FOR ORDERING SPARE PARTS*

*PLEASE ENSURE THAT THE CORRECT PART NUMBER AND DESCRIPTION IS GIVEN WHEN
ORDERING PARTS TOGETHER WITH THE SERIAL NUMBER OF THE MACHINE.*

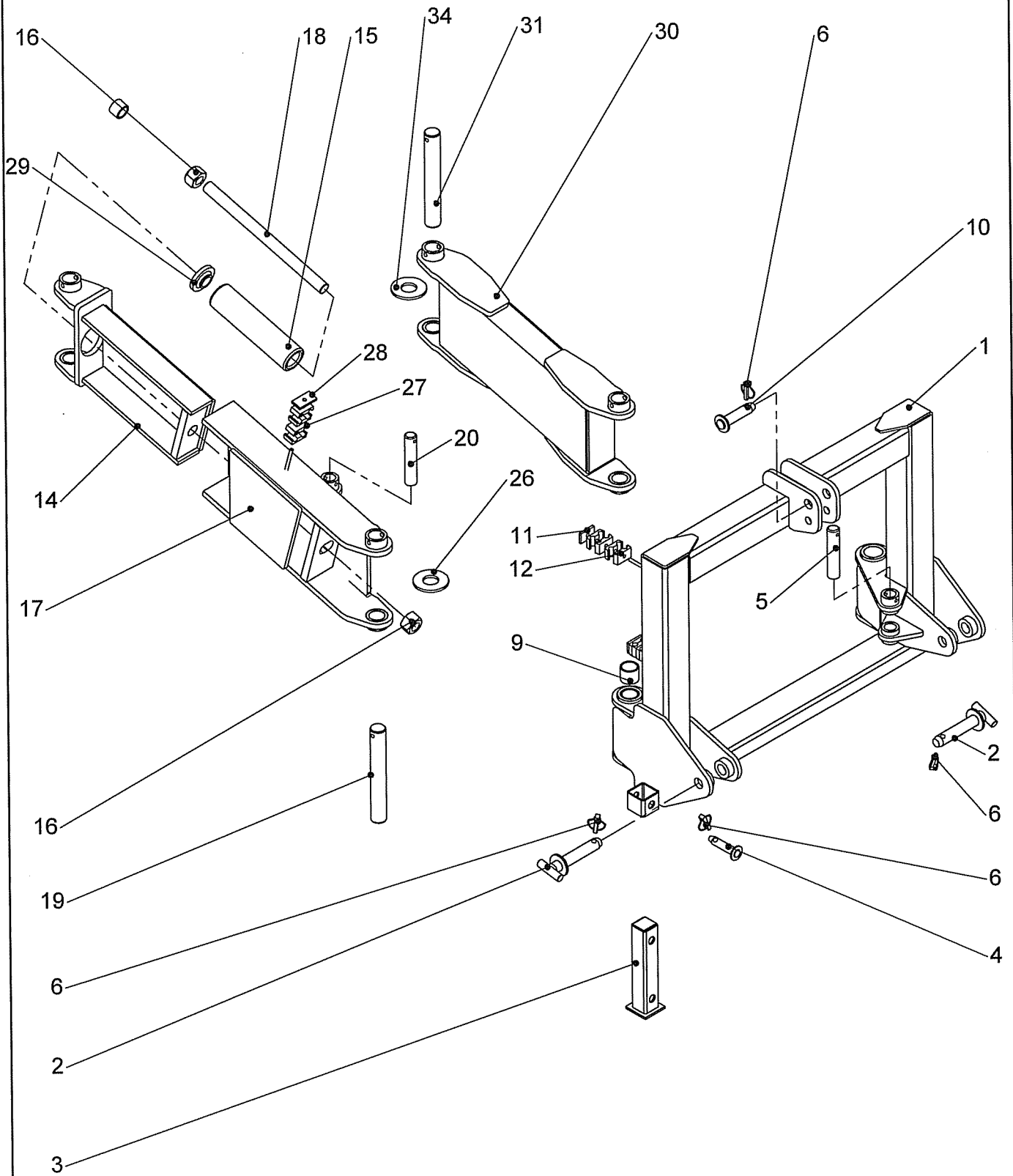
Page No.	Description
2 - 1 TO 2 - 2	MAINFRAME & LINKS
3 - 1 TO 3 - 2	ARM ASSEMBLY
4 - 1 TO 4 - 2	DRIVE ASSEMBLY
5 - 1 TO 5 - 2	ROTOR DRIVE & BEARINGS
6 - 1 TO 6 - 2	RAM ASSEMBLIES
7 - 1 TO 7 - 2	HOSES
8 - 1 TO 8 - 6	HEAD 1600 HEAD 2000 HEAD 1600 LARGE DIA
9 - 1 TO 9 - 4	ROLLER ASSY ROLLER ASSY LARGE DIA HEAD
10 - 1 TO 10 - 6	ROTOR SHAFT – SPIRAL 1600 ROTOR SHAFT – SPIRAL 2000 ROTOR SHAFT - 2000
11 - 1 TO 11 - 2	DECALS

IMPORTANT

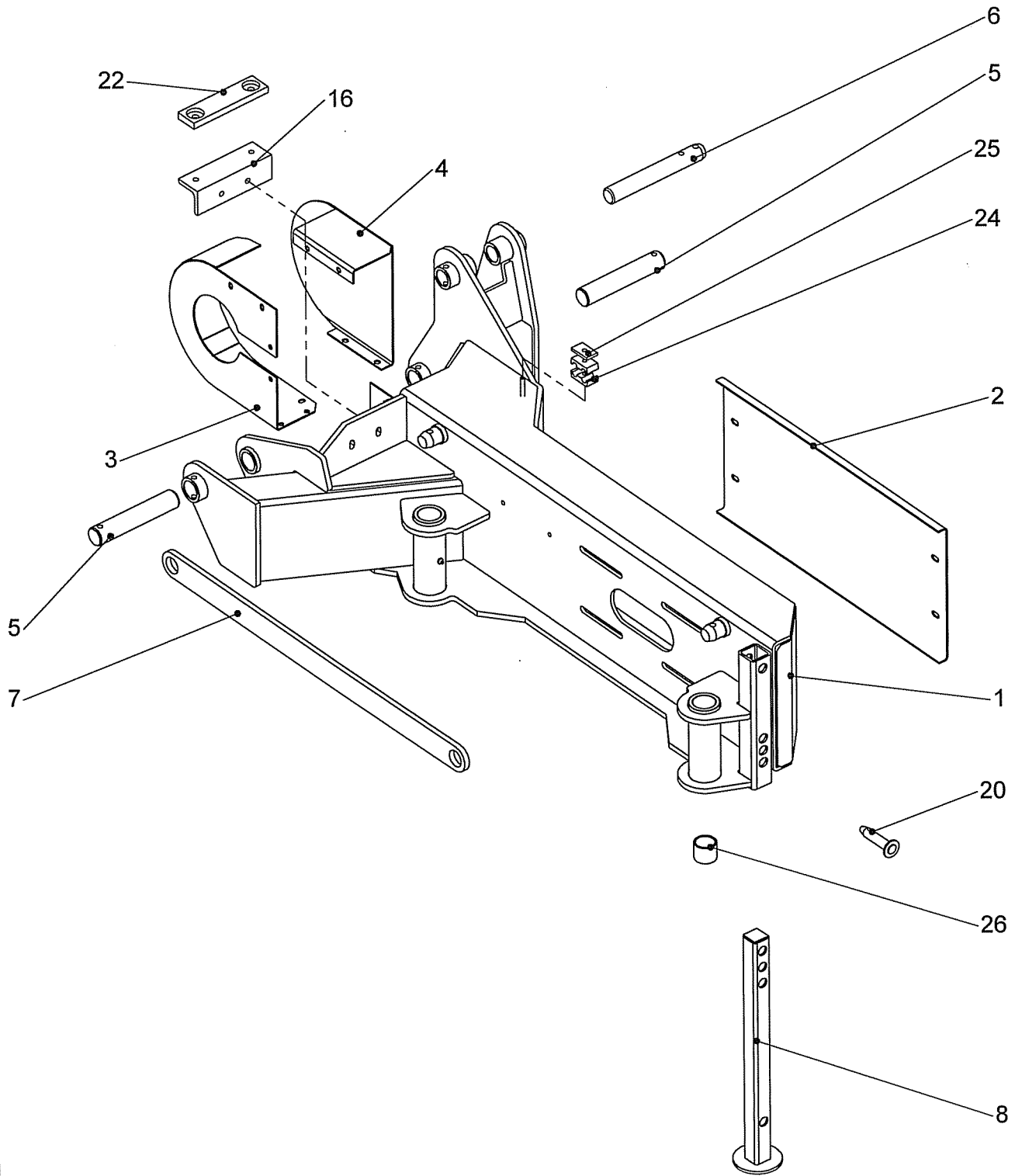
**THIS MACHINE IS DESIGNED FOR VEGETATION CONTROL
AND MUST NOT BE USED FOR ANY OTHER PURPOSE**

**IT IS POTENTIALLY HAZARDOUS TO FIT OR USE
ANY PARTS OTHER THAN GENUINE BOMFORD TURNER PARTS**

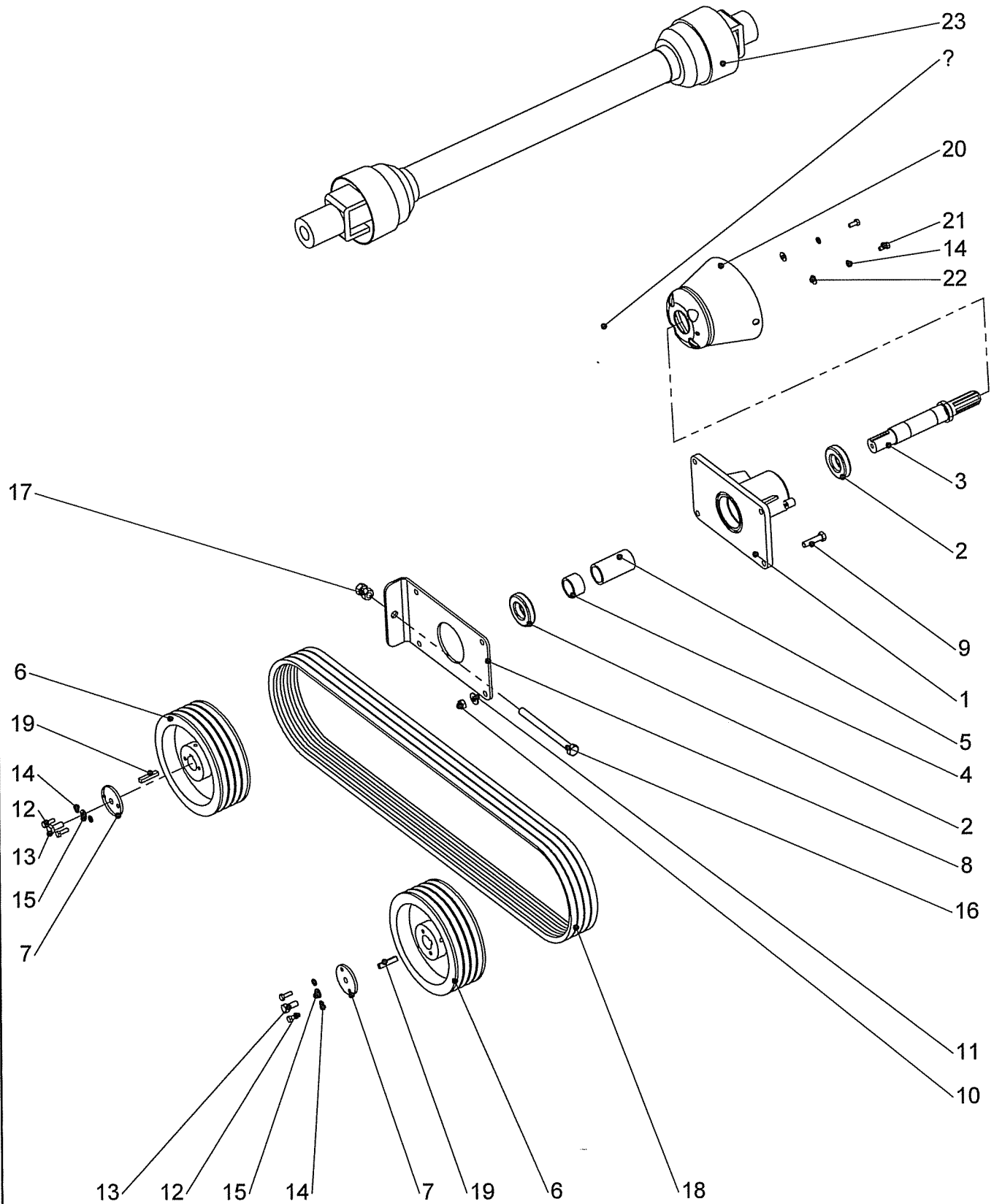
**THE COMPANY DISCLAIMS ALL LIABILITY FOR THE
CONSEQUENCES OF SUCH USE WHICH, IN ADDITION,
VOIDS THE MACHINE WARRANTY**



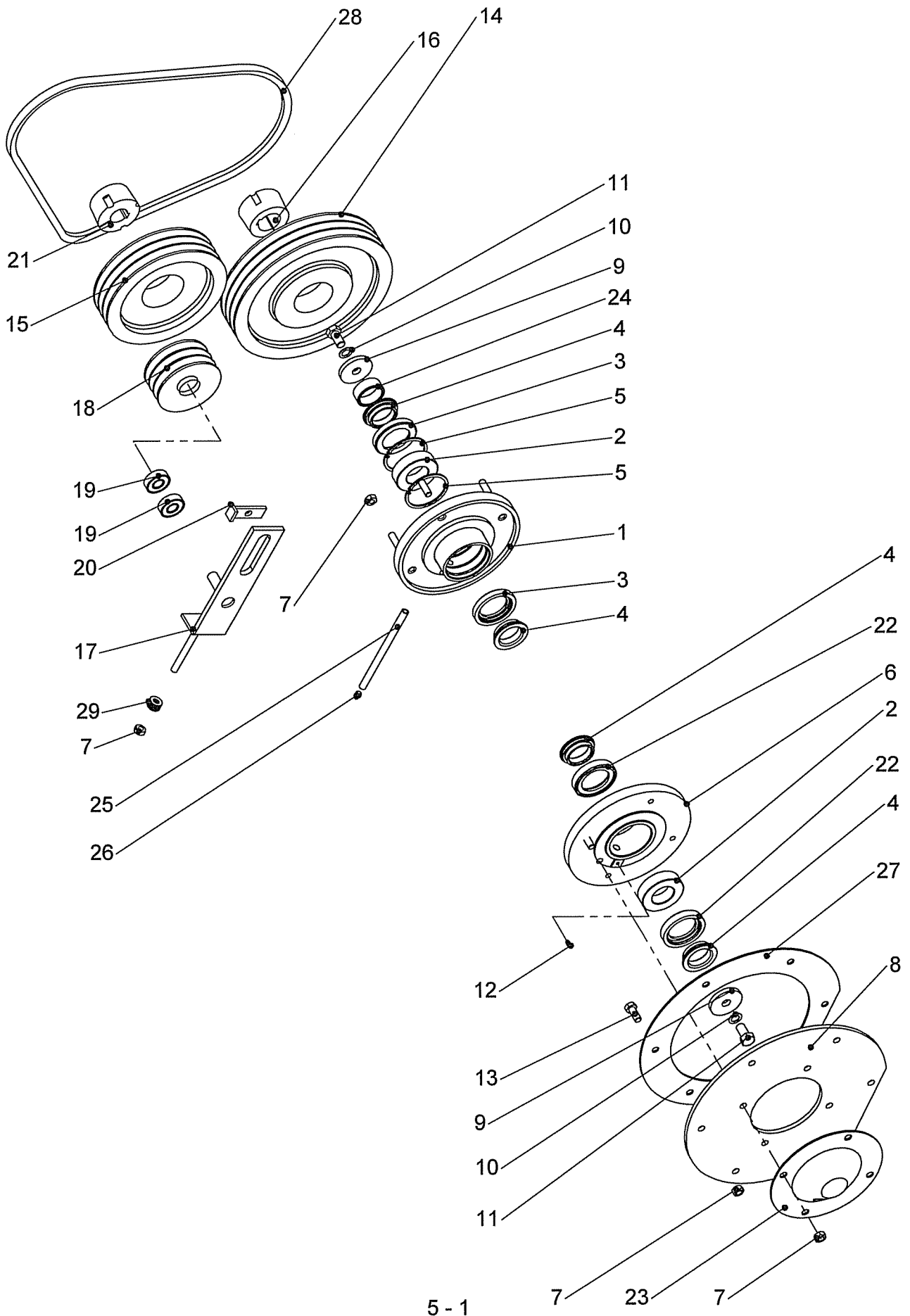
ITEM NO.	QTY.	PART NO.	DESCRIPTION
1	1	46435.02	ASSY - MAINFRAME RH
2	2	41281.01	PIN 1.1/8" X 165
3	1	41803.01	LEG - SUPPORT
4	1	03.652.01	PIN 20 DIA. X 90
5	1	03.654.69	PIN - 30 X 150
6	4	00.372.01	LINCH PIN
7	1	05.291.06	BOLT M8x55
8	3	05.287.01	SELF-LOCKING NUT M8
9	4	08.297.02	BUSH 47x40x40
10	1	42250.01	PIN - TOP LINK
11	2	06.418.02	CLAMP PLATE 48x30
12	8	06.430.02	HOSE CLAMP 14 x 14
13	2	04.282.30	STUD M8 X240
14	1	46436.01	ASSY - BREAKOUT LINK
15	1	03.865.02	SPRING
16	2	05.287.07	SELF-LOCKING NUT M30
17	1	46358.04	ASSY - LINK
18	1	46440.01	SPRING GUIDE BAR
19	2	46443.01	PIN Ø40 -283 LONG
20	1	03.654.69	PIN - 30 X 150
21	2	05.287.02	SELF-LOCKING NUT M10
22	2	05.291.19	BOLT M10x70
23	1	05.291.06	BOLT M8x55
24	2	05.287.01	SELF-LOCKING NUT M8
25	2	09.232.01	THRUST WASHER
26	1	04.282.30	STUD M8 X240
27	4	06.430.02	HOSE CLAMP 14 x 14
28	1	06.418.03	CLAMP PLATE 60x30
29	1	03.851.01	SPRING RETAINER
30	1	46358.02	ASSY - LINK
31	2	46443.01	PIN Ø40 -283 LONG
32	2	05.291.19	BOLT M10x70
33	2	05.287.02	SELF-LOCKING NUT M10
34	2	09.232.01	THRUST WASHER



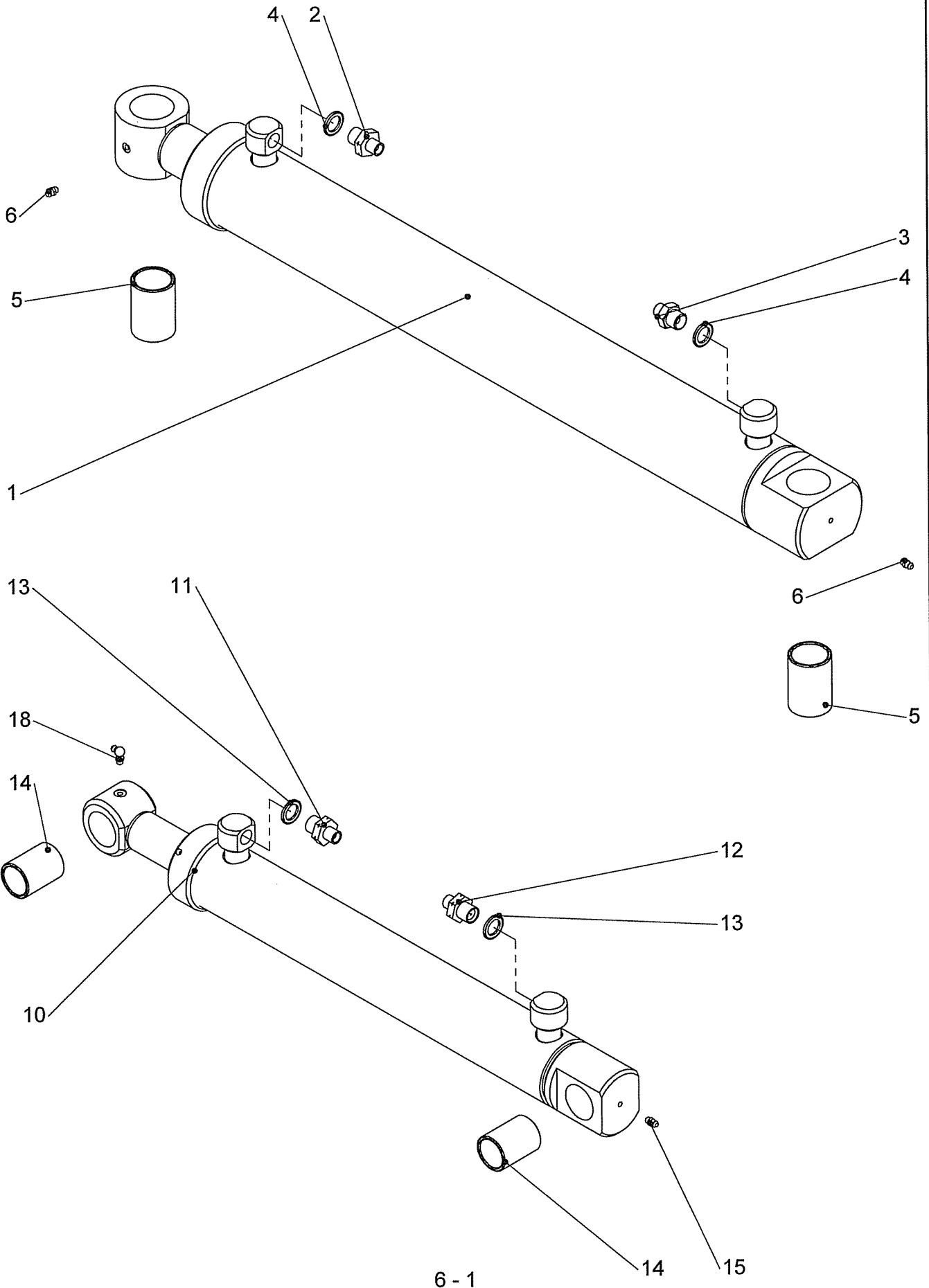
ITEM NO.	QTY.	PART NO.	DESCRIPTION
1	1	46317.02	ARM - LH
1	1	46317.02	ARM - RH
2	1	46425.01	GUARD - REAR
3	1	46376.01	GUARD - PULLEY RH
3	1	46376.03	GUARD - PULLEY LH
4	1	46376.05	GUARD - OTR PULLEY LH
4	1	46376.02	GUARD - OTR PULLEY RH
5	2	46447.01	PIN Ø40 -283 LONG
6	1	46446.01	PIN - 35 DIA(TRANSPORT)
7	1	46417.01	PLATE
8	1	46451.01	STAND - CONDOR (REAR)
9	2	05.291.19	BOLT M10x70
10	7	05.287.02	SELF-LOCKING NUT M10
11	1	05.291.18	BOLT M10x65
12	8	05.264.02	SETSCREW M8x25
13	4	05.281.01	FLAT WASHER M8
14	4	05.282.01	SPRING WASHER M8
15	5	05.287.01	SELF-LOCKING NUT M8
16	1	46416.01	ANGLE -STOP
17	2	05.264.15	SETSCREW M10x40
18	8	05.281.02	FLAT WASHER M10
19	2	05.953.03	GREASE NIPPLE M10xStr
20	1	03.652.01	PIN 20 DIA. X 90
21	4	00.372.01	LINCH PIN
22	1	41499.01	STOP PAD
23	1	04.282.32	STUD M8 X240
24	2	06.430.02	HOSE CLAMP 14 x 14
25	1	06.418.02	CLAMP PLATE 48x30
26	4	08.297.02	BUSH 47x40x40
27	2	05.264.14	SETSCREW M10x35
28	4	05.264.12	SETSCREW M10x25
29	4	05.282.02	SPRING WASHER M10



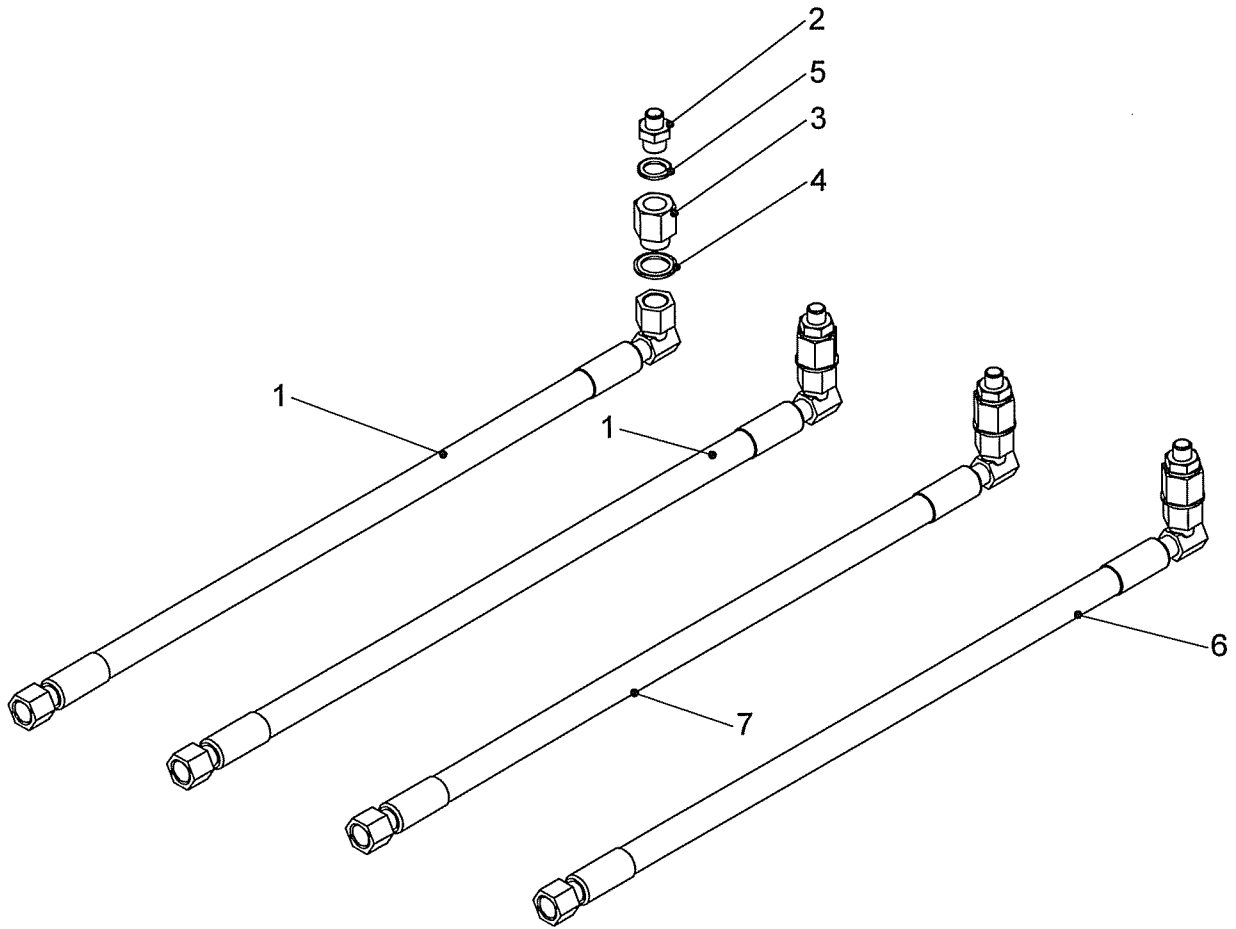
ITEM NO.	QTY.	PART NO.	DESCRIPTION
1	1	46284.02	ADJUSTER - BELT
2	2	03.007.00	BALL JOURNAL BEARING
3	1	41730.01	SHAFT - PULLEY/PTO
5	1	41.258.01	SPACER 50 O/D x 40.2 I/D - 94
4	1	46659.01	SPACER
6	2	41.245.01	PULLEY - 250 PCD x 4 SPB
7	2	09.297.01	WASHER
8	1	46404.01	PLATE
9	4	05.291.25	BOLT M12x50
10	4	05.287.03	SELF-LOCKING NUT M12
11	4	05.281.03	FLAT WASHER M12
12	4	05.264.02	SETSCREW M8x25
13	2	05.264.23	SETSCREW M12x30
14	9	05.282.01	SPRING WASHER M8
15	2	05.282.03	SPRING WASHER M12
16	1	41769.01	SETSCREW M16X200
17	2	05.286.04	NUT M16
18	4	05.299.55	BELT - XPB 2650
19	2	05.960.03	KEY-S/REP 10X8X50
20	1	42741.01	GUARD - PTO
21	5	05.264.01	SETSCREW M8x20
22	5	05.281.01	FLAT WASHER M8
23	1	43602.02	PTO - V60



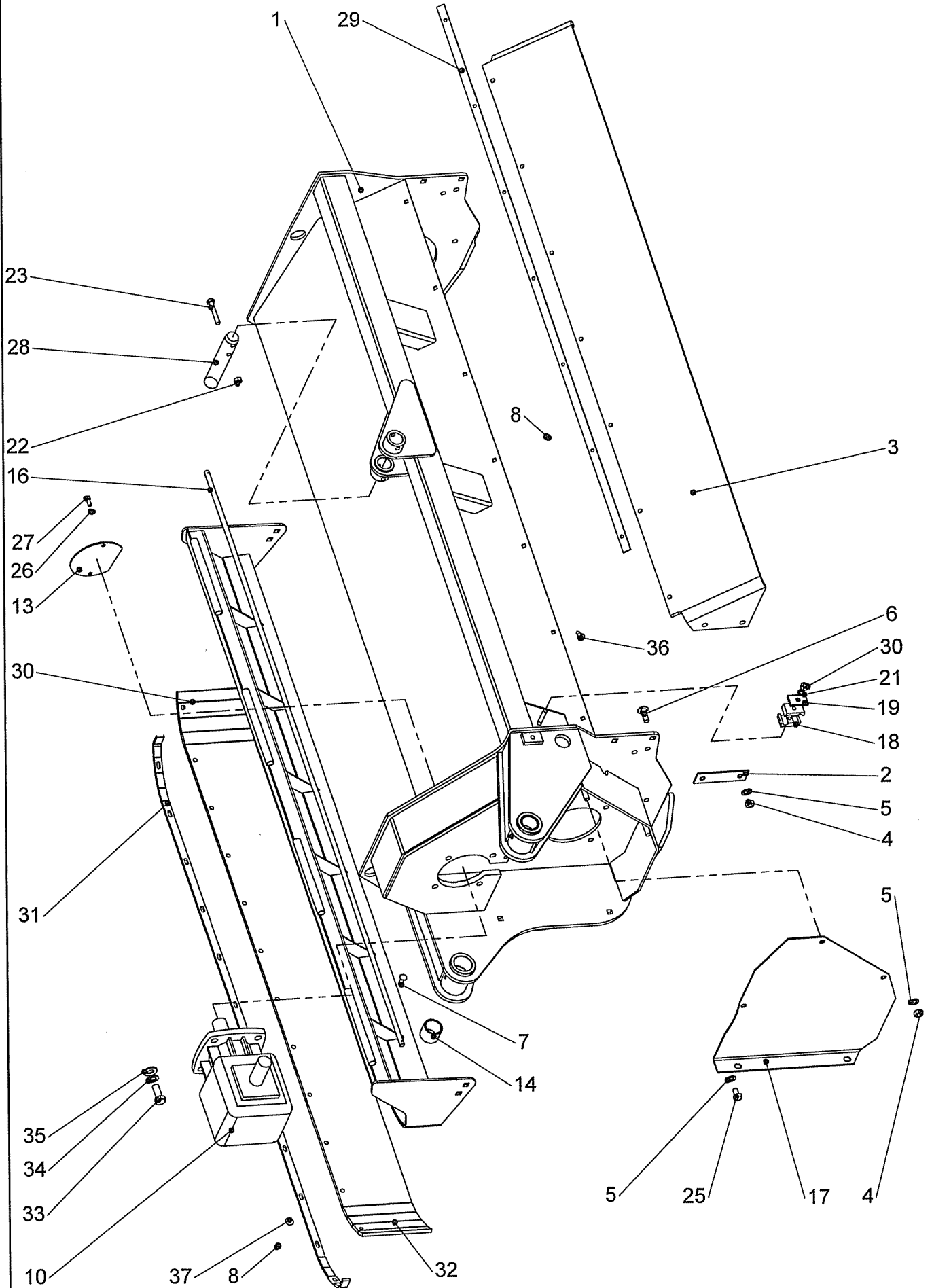
ITEM NO.	QTY.	PART NO.	DESCRIPTION
1	1	46342.01	HOUSING - BEARING DRIVE
2	2	04.163.04	BEARING - SPH ROLLER 45MM
3	2	06.909.01	SPACER - SEAL
4	4	06.910.01	COLLAR - SEAL
5	2	05.959.07	CIRCLIP - 85 DIA INT
6	1	46342.02	BEARING HOUSING NON DRIVE
7	14	05.968.03	SELF-LOCKING NUT M12
8	1	46610.01	PLATE
9	2	04.252.01	WASHER 65 x 17 x 8
10	2	05.283.04	SHAKEPROOF WASHER 16MM
11	2	05.264.33	SETSCREW M16x30
12	1	05.953.01	GREASE NIPPLE M6xStr
13	5	05.264.23	SETSCREW M12x30
14	1	04.451.03	PULLEY-VEE 315 PCD 3 SPB
15	1	04.451.01	PULLEY-VEE 236 PCD 3 SPB
16	1	05.424.17	TAPER LOCK 45 BUSH (2517)
17	1	04.399.01	BRACKET - IDLER PULLEY
18	1	04.398.01	PULLEY-VEE 120 PCD 3 SPB
19	2	01.083.01	BEARING - BALL 3/4" BORE
20	1	04.401.01	STRAP
21	1	05.424.23	TAPERLOCK - 35 (2517)
22	2	43272.01	SPACER - SEAL
23	1	00.876.03	PLATE 3
24	1	46360.01	SPACER
25	1	46368.01	TUBE - GREASE M10
26	1	05.953.03	GREASE NIPPLE M10xStr
28	4	05.229,58A	BELT SPB FOR
27	1	46609.01	PLATE
29	6	05.398.02	DISC SPRING



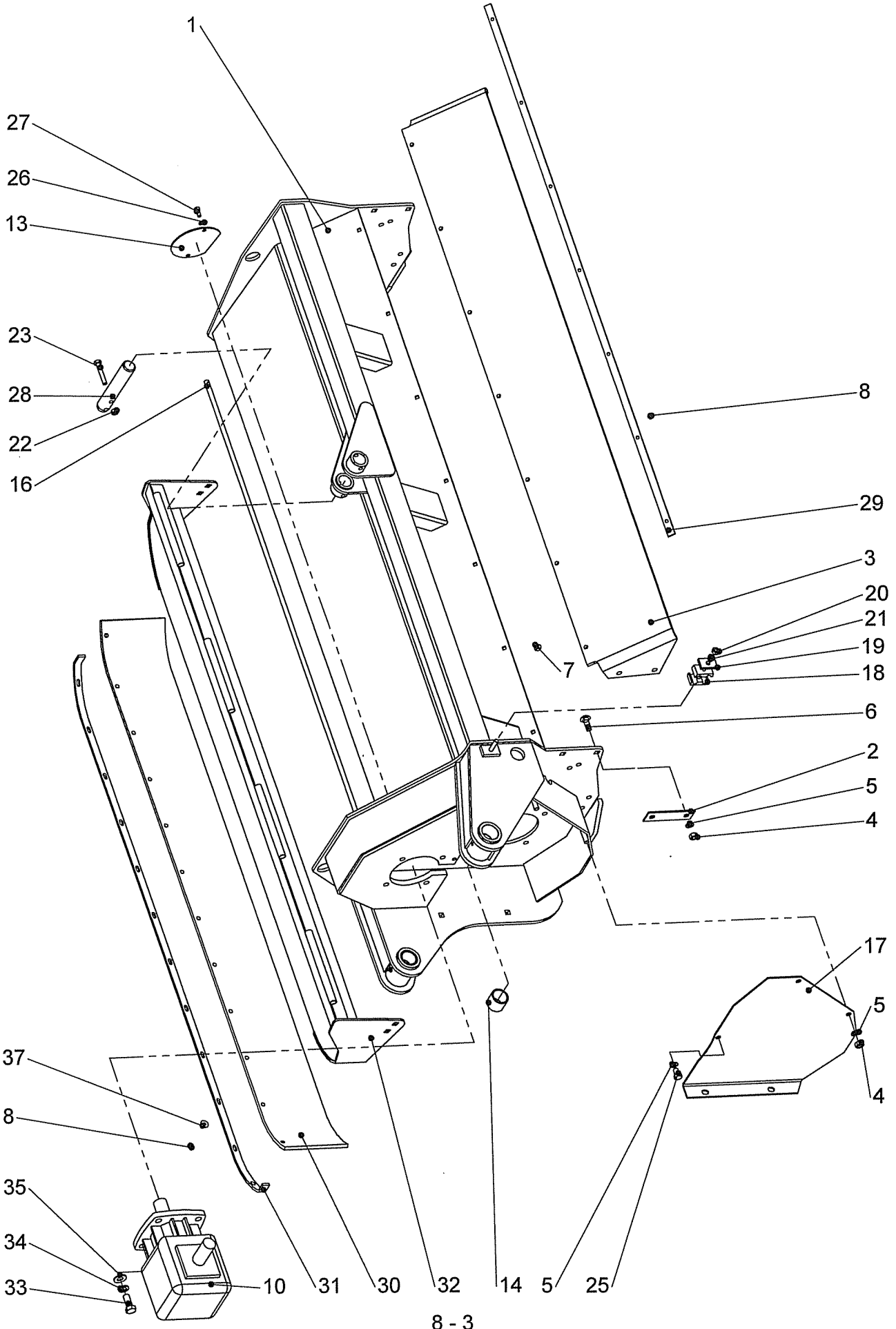
ITEM NO.	QTY.	PART NO.	DESCRIPTION
1	1	46002.04	RAM ASSY D/A 80 BORE X 615 STK
2	1	46518.08	RESTRICTOR
3	1	01.099.01	ADAPTOR 1/4"BSPx3/8"BSP
4	2	05.290.04	BONDED SEAL 3/8" BSP
5	2	08.297.08	BUSH 42x35x60
6	2	05.953.01	GREASE NIPPLE M6xStr
10	1	45942.01	RAM ASSY 60 BORE X 340 STK
11	1	46518.08	RESTRICTOR
12	1	46518.12	RESTRICTOR
13	2	05.290.04	BONDED SEAL 3/8" BSP
14	2	08.297.14	BUSH 37X30X50
15	1	05.953.01	GREASE NIPPLE M6xStr
16	1	05.953.05	GREASE NIPPLE M6x90 deg



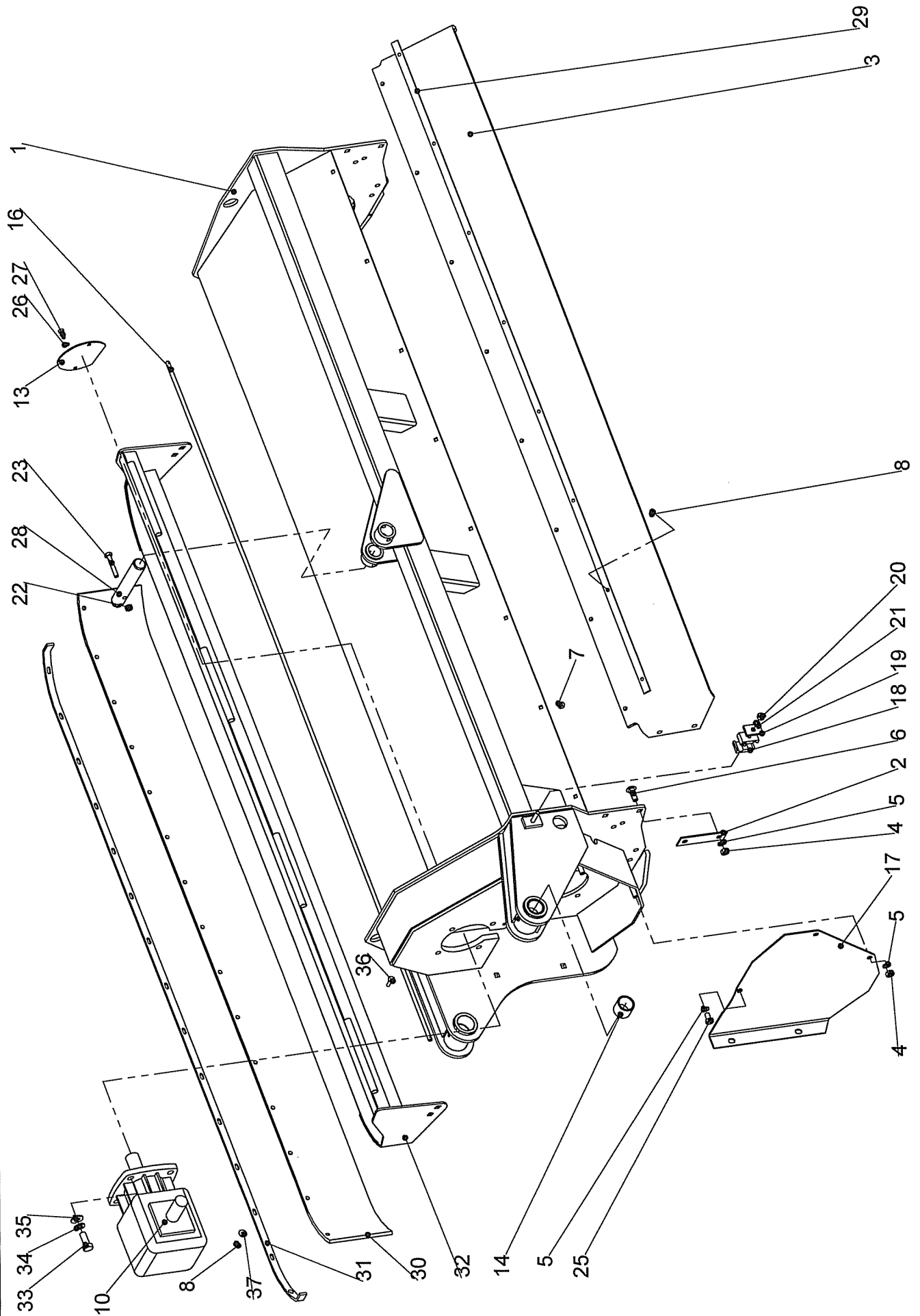
ITEM NO.	QTY.	PART NO.	DESCRIPTION
1	2	10.002.34	HOSE-STx90 - 2400 LG
2	4	01.099.01	ADAPTOR 1/4"BSPx3/8"BSP
3	4	05.225.01	ADAPTOR RDG 1/2"BSPx3/8"BSP
4	4	05.290.05	BONDED SEAL 1/2" BSP
5	4	05.290.04	BONDED SEAL 3/8" BSP
6	1	10.002.54	HOSE-STx90 - 4400 LG
7	1	10.002.56	HOSE-STx90 - 4600 LG



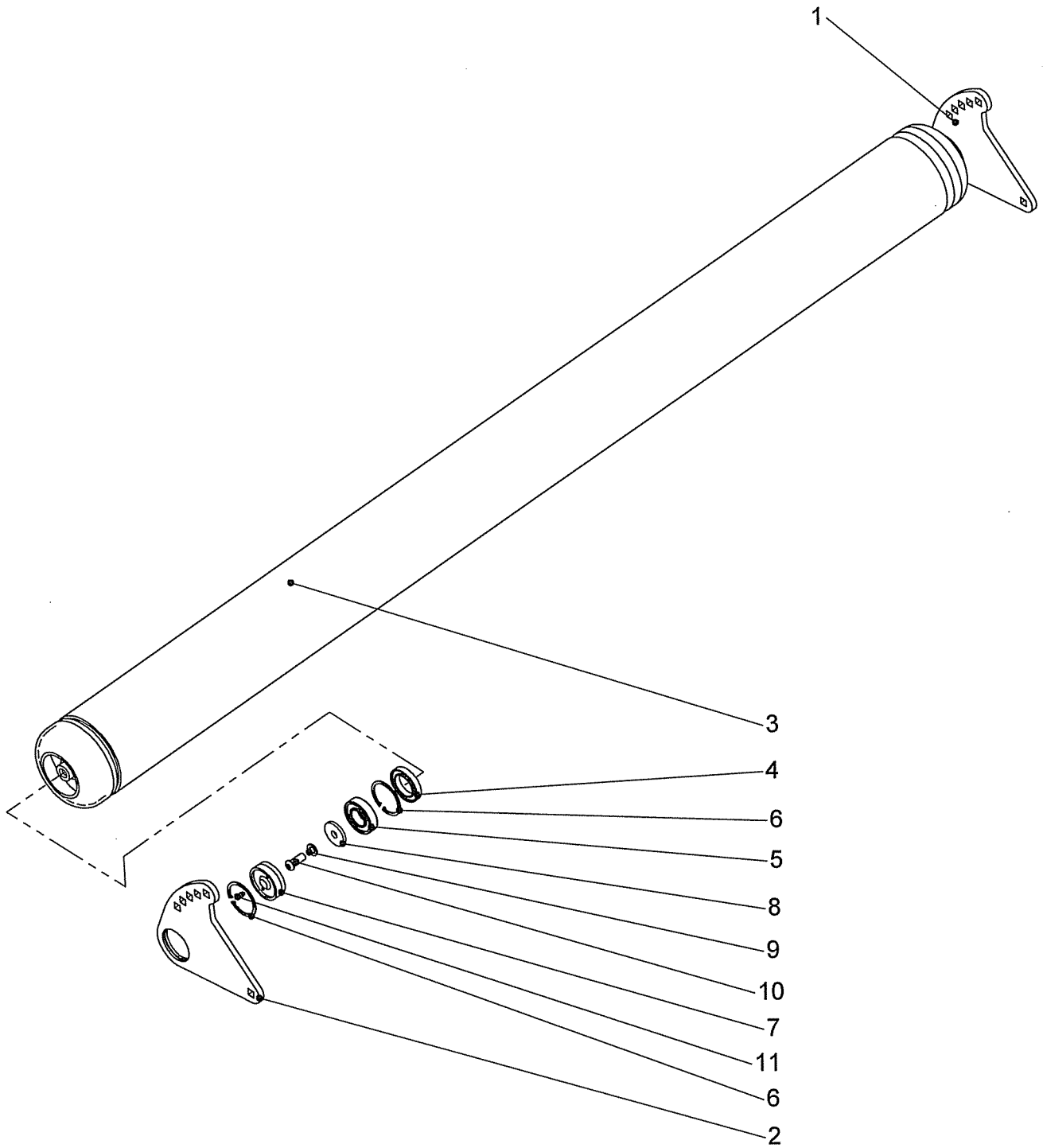
ITEM NO.	QTY.	PART NO.	DESCRIPTION
1	1	46403.01	COWL - 1600 LH REAR
1	1	46403.02	COWL - 1600 RH REAR
2	2	41418.01	CLAMP - GUARD
3	1	42127.01	GUARD - FLEXIBLE REAR 1600
4	6	05.286.03	NUT M12
5	7	05.282.03	SPRING WASHER M12
6	4	05.839.34	BOLT CUP SQR M12X35
7	7	9293054	BOLT CUP SQR M8x25
8	8	05.287.01	SELF-LOCKING NUT M8
9	2	41436.02	SPACER
10	1	09.250.04	GEARBOX - RH
10	1	09.250.03	GEARBOX - LH
11	1	41.245.01	PULLEY (See Rotor Drive Page)
12	1	09.297.01	WASHER
13	1	46369.01	COVER - PULLEY
14	4	08.297.02	BUSH 47x40x40
15	1	05.953.03	GREASE NIPPLE M10xStr
16	1	42129.04	PIN - PIVOT FRONT GUARD 1600
17	1	46374.01	GUARD - COWL RH
17	1	46374.03	GUARD - COWL LH
18	2	06.430.02	HOSE CLAMP 14 x 14
19	1	06.418.06	FLAT
20	1	05.286.02	NUT M10
21	1	05.282.02	SPRING WASHER M10
22	1	05.287.02	SELF-LOCKING NUT M10
23	1	05.291.18	BOLT M10x65
24	1	04.282.66	STUD M10x56
25	1	05.264.21	SETSCREW M12x20
26	2	05.282.01	SPRING WASHER M8
27	2	05.264.01	SETSCREW M8x20
28	1	46445.01	PIN - 35DIA (TRANSPORT)
29	1	10.120.01	BACKING STRIP
30	1	46363.02	GUARD - FRONT FLEXIBLE 1600
31	1	46362.02	STRAP - FRONT 1600
32	1	46414.01	GUARD - FRONT 1600
33	4	05.264.35	SETSCREW M16x40
34	4	05.282.04	SPRING WASHER M16
35	4	05.281.04	FLAT WASHER M16
36	1	9293064	BOLT CUP SQR M8X30
37	1	05.281.01	FLAT WASHER M8



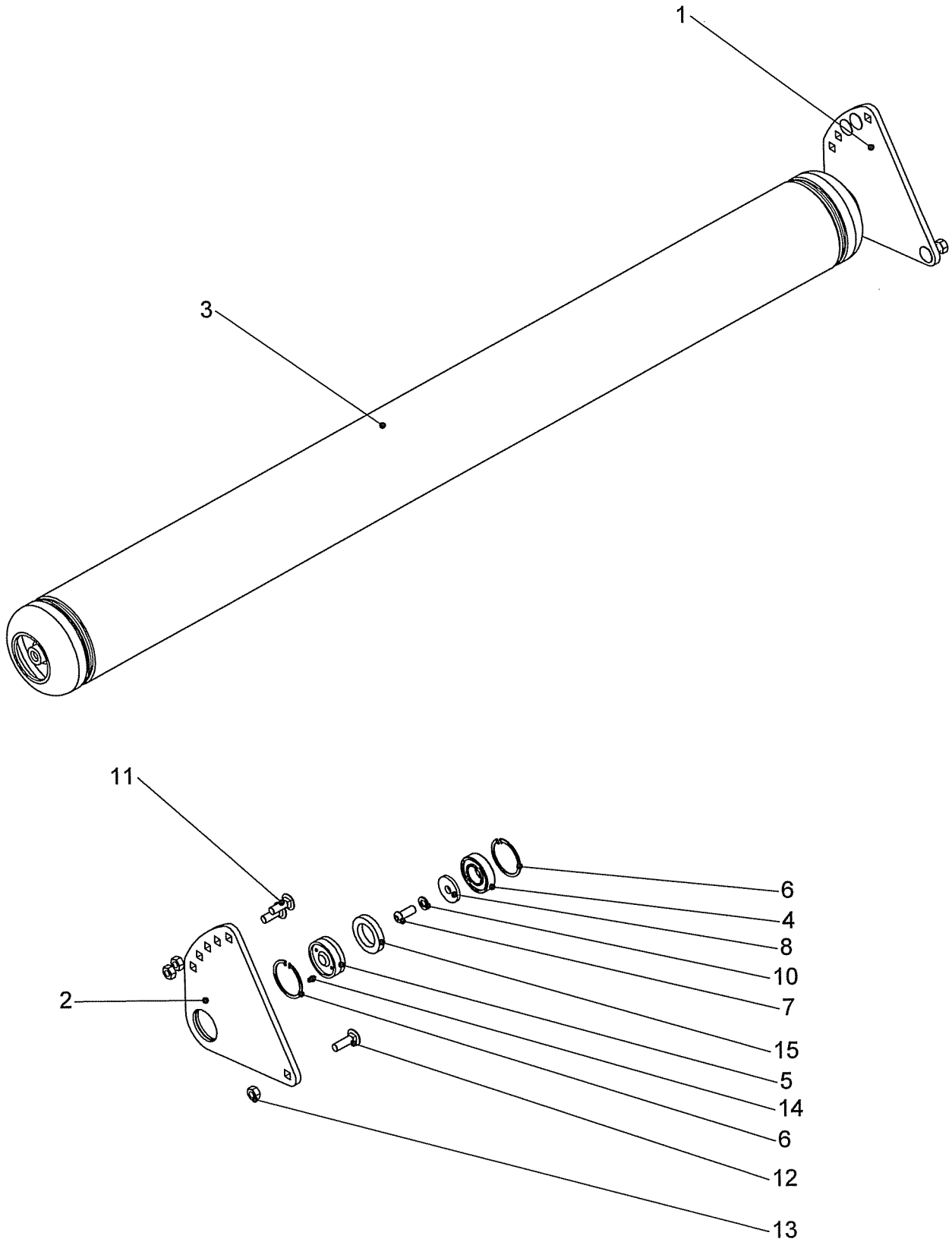
ITEM NO.	QTY.	PART NO.	DESCRIPTION
1	1	46548.02	ASSY - COWL RH
1	1	46548.01	ASSY - COWL LH
2	2	41418.01	CLAMP - GUARD
3	1	42127.01	GUARD - FLEXIBLE REAR 1600
4	6	05.286.03	NUT M12
5	7	05.282.03	SPRING WASHER M12
6	4	05.839.34	BOLT CUP SQR M12X35
7	7	9293054	BOLT CUP SQR M8x25
8	8	05.287.01	SELF-LOCKING NUT M8
9	2	41436.02	SPACER
10	1	09.250.04	GEARBOX - RH
10	1	09.250.03	GEARBOX - LH
11	1	41.245.01	PULLEY - 250 PCD x 4 SPB
12	1	09.297.01	WASHER
13	1	46369.01	COVER - PULLEY
14	4	08.297.02	BUSH 47x40x40
15	1	05.953.03	GREASE NIPPLE M10xStr
17	1	46558.01	GUARD RH
17	1	46571.01	GUARD LH
16	1	42129.04	PIN - PIVOT FRONT GUARD 1600
18	2	06.430.02	HOSE CLAMP 14 x 14
19	1	06.418.06	FLAT
20	1	05.286.02	NUT M10
21	1	05.282.02	SPRING WASHER M10
22	1	05.287.02	SELF-LOCKING NUT M10
23	1	05.291.18	BOLT M10x65
24	1	04.282.66	STUD M10x56
25	1	05.264.21	SETSCREW M12x20
26	2	05.282.01	SPRING WASHER M8
27	2	05.264.01	SETSCREW M8x20
28	1	46445.01	PIN - 35DIA (TRANSPORT)
29	1	10.120.01	BACKING STRIP
30	1	46363.02	GUARD - FRONT FLEXIBLE 1600
31	1	46362.02	STRAP - FRONT 1600
32	1	46557.01	FRONT GUARD
33	4	05.264.35	SETSCREW M16x40
34	4	05.282.04	SPRING WASHER M16
35	4	05.281.04	FLAT WASHER M16
36	1	9293064	BOLT CUP SQR M8X30
37	1	05.281.01	FLAT WASHER M8



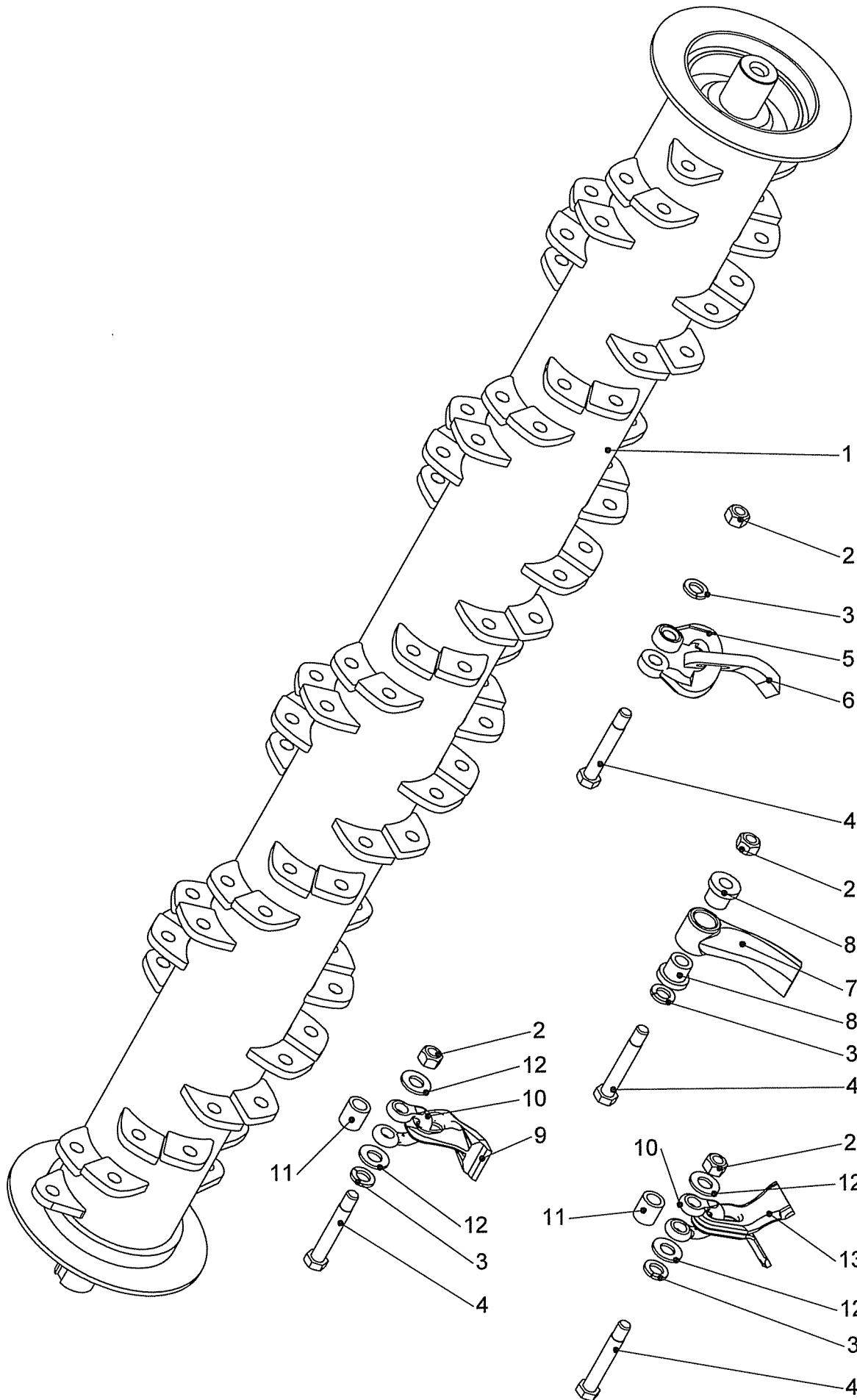
ITEM NO.	QTY.	PART NO.	DESCRIPTION
1	1	46559.02	COWL ASSY - BC 2000 CONDOR
2	2	41418.01	CLAMP - GUARD
3	1	41452.01	GUARD - FLEXIBLE 2000
4	6	05.286.03	NUT M12
5	7	05.282.03	SPRING WASHER M12
6	4	05.839.34	BOLT CUP SQR M12X35
7	7	9293054	BOLT CUP SQR M8x25
8	8	05.287.01	SELF-LOCKING NUT M8
9	2	41436.02	SPACER
10	1	09.250.04	GEARBOX - RH
11	1	41.245.01	PULLEY - 250 PCD x 4 SPB
12	1	09.297.01	WASHER
13	1	46369.01	COVER - PULLEY
14	4	08.297.02	BUSH 47x40x40
15	1	05.953.03	GREASE NIPPLE M10xStr
16	1	42129.05	PIN - PIVOT
17	1	46558.01	GUARD
18	2	06.430.02	HOSE CLAMP 14 x 14
19	1	06.418.06	FLAT
20	1	05.286.02	NUT M10
21	1	05.282.02	SPRING WASHER M10
22	1	05.287.02	SELF-LOCKING NUT M10
23	1	05.291.18	BOLT M10x65
24	1	04.282.66	STUD M10x56
25	1	05.264.21	SETSCREW M12x20
26	2	05.282.01	SPRING WASHER M8
27	2	05.264.01	SETSCREW M8x20
28	1	46445.01	PIN - 35DIA (TRANSPORT)
29	1	41.237.01	BACKING STRIP
30	1	46363.01	GUARD - FLEXIBLE FRONT 2000
31	1	46362.01	BACKING STRIP
32	1	46560.01	FRONT GUARD ASSY
33	4	05.264.35	SETSCREW M16x40
34	4	05.282.04	SPRING WASHER M16
35	4	05.281.04	FLAT WASHER M16
36	1	9293064	BOLT CUP SQR M8X30
37	1	05.281.01	FLAT WASHER M8



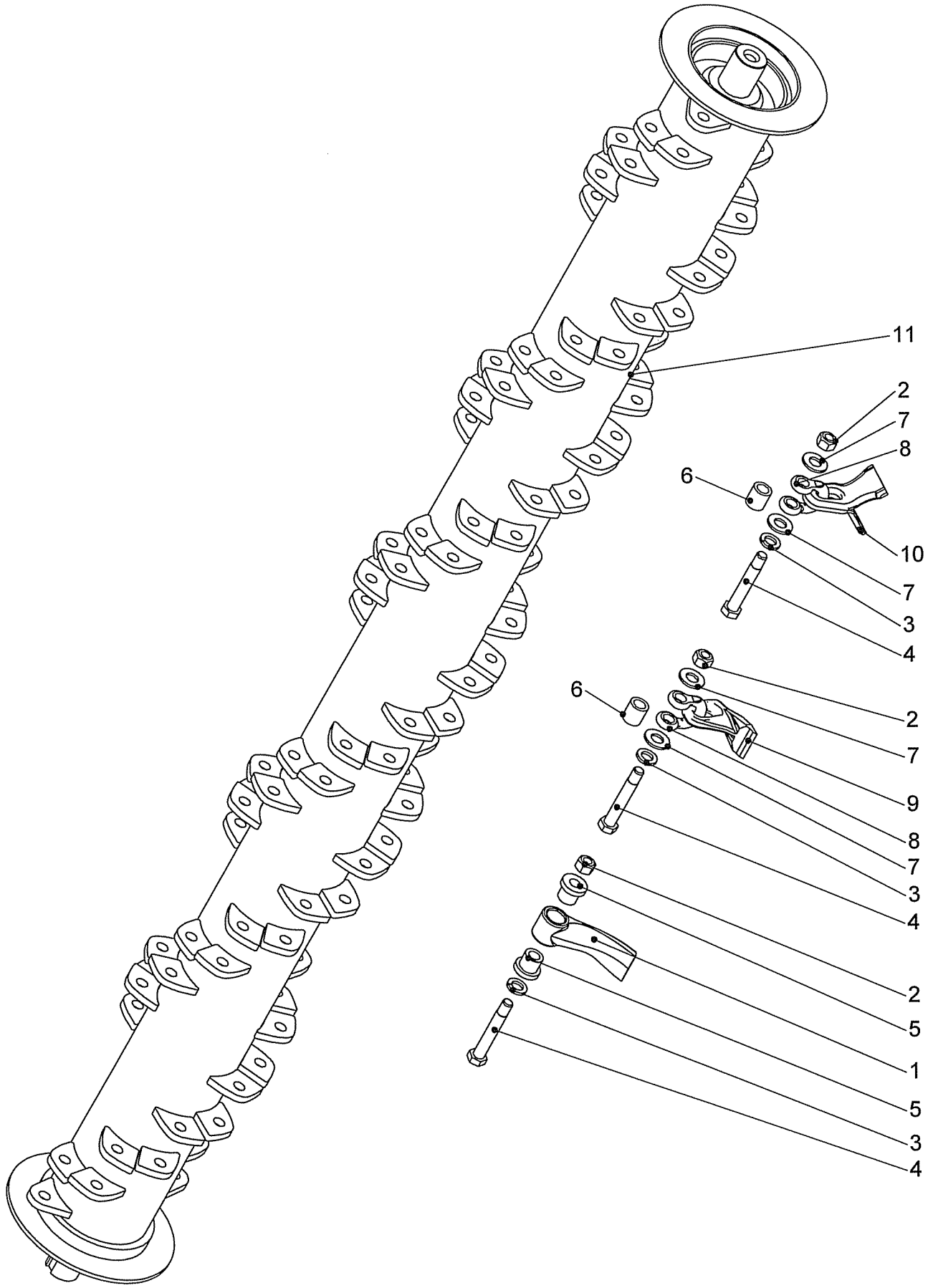
ITEM NO.	QTY.	PART NO.	DESCRIPTION
1	1	41897.01	BRKT - ROLLER 150
2	1	41897.02	BRKT - ROLLER 150
3	1	42955.07	ROLLER 150 DIA. - 2000
3	1	42955.08	ROLLER 150 DIA. - 1600
4	2	04.164.04	SEAL
5	2	42954.01	BEARING D/ROW BALL 30MM
6	4	05.959.05	CIRCLIP - 62 DIA INT
7	2	41851.01	CAP - BEARING RETAINER
8	2	05.234.01	WASHER 44.5x13x5 PLATED
9	2	05.282.03	SPRING WASHER M12
10	2	05.625.10	SKT CAPSCREW M12x30
11	2	05.953.01	GREASE NIPPLE M6xStr



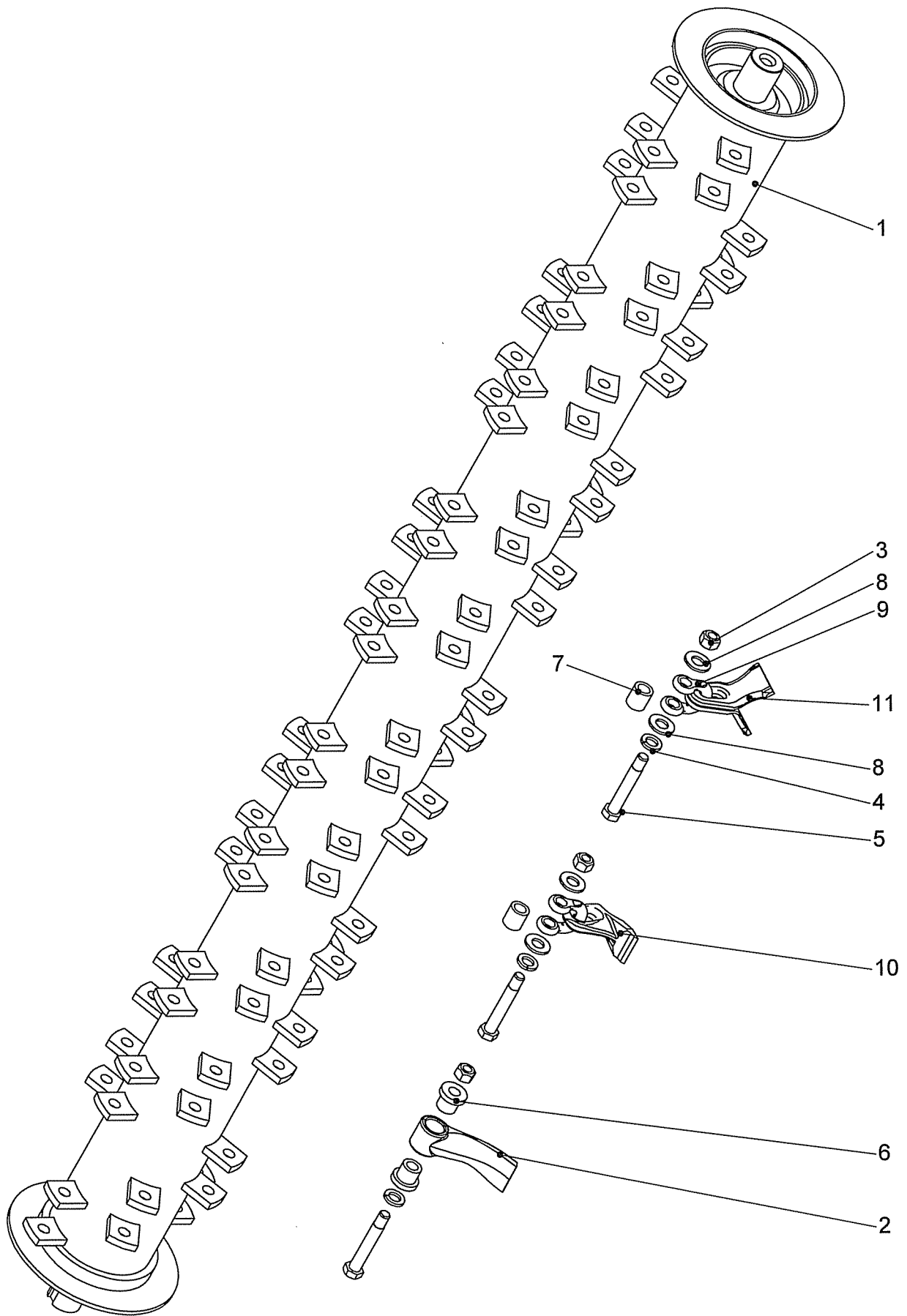
ITEM NO.	QTY.	PART NO.	DESCRIPTION
1	1	42144.01	BRACKET - ROLLER 150
2	1	42144.02	BRACKET - ROLLER 150
3	1	42955.08	ROLLER 6" - 1600
4	2	42954.01	BEARING D/ROW BALL 30MM
5	2	41851.01	CAP - BEARING RETAINER
6	4	05.959.05	CIRCLIP - 62 DIA INT
7	2	05.625.10	SKT CAPSCREW M12x30
8	2	05.234.01	WASHER 44.5x13x5 PLATED
9	1	04.164.04	SINGLE LIP SEAL
10	2	05.282.03	SPRING WASHER M12
11	5	05.839.34	BOLT CUP SQR M12X35
12	1	05.839.35	BOLT CUP SQR M12X40
13	6	05.286.03	NUT M12
14	2	05.953.01	GREASE NIPPLE M6xStr
15	1	04.164.04	SEAL



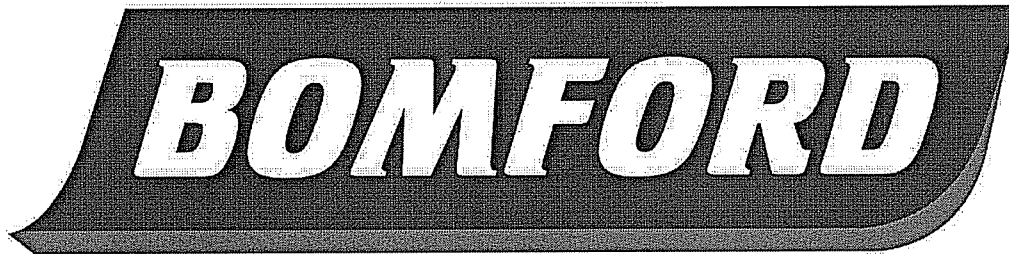
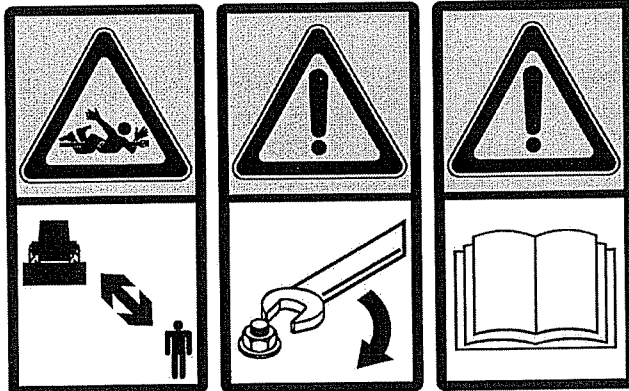
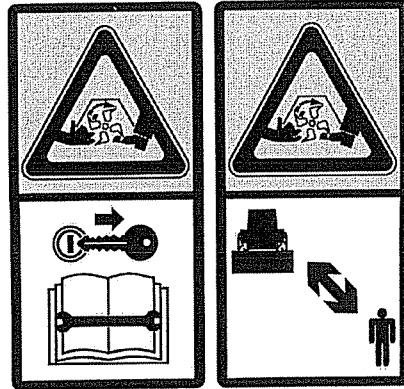
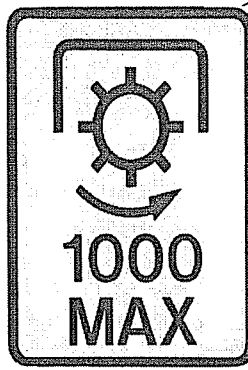
ITEM NO.	QTY.	PART NO.	DESCRIPTION
1	1	46409.01	ROTOR SH ASY 4640801/4215501CW
2	44	05.968.06	SELF-LOCKING NUT M14
3	44	05.282.04	SPRING WASHER M16
4	44	05.775.10	BOLT - SPECIAL M14 X 96
5	44	09.516.01	SHACKLE - TWISTED
6	44	09.527.01	FLAIL
7	44	46398.01	FLAIL - ADI PROFLAIL
8	88	09.894.01	COLLAR - PIVOT
9	44	42750.01	FLAIL MP44
10	44	05.895.01	SHACKLE
11	44	02.807.01	SPACER
12	88	05.281.04	FLAT WASHER M16
13	88	41654.01	FLAIL FLARED



ITEM NO.	QTY.	PART NO.	DESCRIPTION
1	54	46398.01	FLAIL - ADI PROFLAIL
2	54	05.968.06	SELF-LOCKING NUT M14
3	54	05.282.04	SPRING WASHER M16
4	54	05.775.10	BOLT - SPECIAL M14 X 96
5	108	09.894.01	COLLAR - PIVOT
6	54	02.807.01	SPACER
7	108	05.281.04	FLAT WASHER M16
8	54	05.895.01	SHACKLE
9	54	42750.01	FLAIL MP44
10	108	41654.01	FLAIL FLARED
11	1	46561.01	SHAFT - ROTOR 2000 SPIRAL



ITEM NO.	QTY.	PART NO.	DESCRIPTION
1	1	46343.01	SHAFT - ROTOR 2000
2	54	46398.01	FLAIL - ADI PROFLAIL
3	54	05.968.06	SELF-LOCKING NUT M14
4	54	05.282.04	SPRING WASHER M16
5	54	05.775.10	BOLT - SPECIAL M14 X 96
6	108	09.894.01	COLLAR - PIVOT
7	54	02.807.01	SPACER
8	108	05.281.04	FLAT WASHER M16
9	54	05.895.01	SHACKLE
10	54	42750.01	FLAIL MP44
11	108	41654.01	FLAIL FLARED



ITEM	PART No	DESCRIPTION	QTY
1	09.810.01	DECAL - GREASE 8 HRS	8
2	09.811.05	DECAL - PTO SPEED	1
3	09.821.31	DECAL - EURO	1
4	09.821.34	DECAL - EURO	1
5	09.843,05	DECAL - LIFT POINT 1000KG	2
6	45645.01	DECAL - BOMFORD	1
7	46562.01	DECAL - CONDOR	2