

PM 1907

***BUZZARD 6.5***  
***BUZZARD 7.25 & 7.25M***  
***BUZZARD 8.0 & 8.0M***

***ARM MOWER***

***PARTS BOOK***

***ISSUE 7***

## IMPORTANT

NOTE HERE THE SERIAL NUMBER OF YOUR MACHINE AND ALWAYS QUOTE IT IN ANY COMMUNICATION WITH US OR YOUR DEALER. THIS IS PARTICULARLY IMPORTANT WHEN ORDERING SPARES. REMEMBER TO INCLUDE ALL NUMBERS AND LETTERS.

MACHINE SERIAL NUMBERS \_\_\_\_\_

THE INFORMATION GIVEN THROUGHOUT THIS MANUAL IS CORRECT AT THE TIME OF PUBLICATION. HOWEVER, IN THE COURSE OF CONSTANT DEVELOPMENT OF BOMFORD TURNER MACHINES, CHANGES IN SPECIFICATION ARE INEVITABLE. SHOULD YOU FIND THE INFORMATION GIVEN IN THIS BOOK TO BE AT VARIANCE WITH THE MACHINE IN YOUR POSSESSION, YOU ARE ADVISED TO CONTACT THE BOMFORD TURNER SERVICE DEPARTMENT WHERE UP-TO-DATE INFORMATION WILL BE PROVIDED.

THE MANUAL CAN CONTAIN STANDARD AND OPTIONAL FEATURES AND IS NOT TO BE USED AS A MACHINE SPECIFICATION.

THE MACHINE HAS BEEN TESTED AND IS CONSIDERED SAFE IF CAREFULLY USED ENSURE YOUR OPERATOR IS PROPERLY TRAINED IN ITS USE AND MAINTENANCE.

## IMPORTANT

NOTEZ ICI LES NUMEROS DE SERIE DE VOTRE MACHINE ET MENTIONNEZ LES DANS TOUTE COMMUNICATION AVEC NOS SERVICES OU VOTRE REVENDEUR. CECI EST IMPORTANT POUR LA COMMANDE DE PIECES DETACHEES. PENSEZ A NOTER TOUS LES NUMEROS ET TOUTES LES LETTERS.

NUMEROS DE SERIE DE LA MACHINE \_\_\_\_\_

LES INFORMATIONS DONNEES DANS CE MANUEL SONT CORRECTES CEPENDANT, DU FAIT DE DEVELOPPEMENT CONSTANT DES MACHINES BOMFORD TURNER.

CHANGEMENTS DANS LES CARACTERISTIQUES SONT INEVITABLES.

SI VOUS TROUVEZ QUE LES INFORMATIONS DONNEES NE CORRESPONDENT PAS A VOTRE MACHINE VEUILLEZ CONTACTER LE SERVICE DES REPARATIONS OU DES INFORMATIONS PLUS RECENTES VOUS SERONT DONNEES.

CE MANUEL PEUT MONTRER DES CARACTERISTIQUES OPTIONNELLES ET NE PEUT PAS ETRE CONSIDERE COMME SPECIFICATION DE LA MACHINE.

CETTE MACHINE A ETE TESTEE, ET ELLE EST CONSIDEREE COMME FIABLE A CONDITION D'UNE BONNE UTILISATION. ASSUREZ-VOUS QUE VOTRE OPERATEUR EST QUALIFIE EN CE QUI CONCERNE L'UTILISATION DE LA MACHINE AINSI QUE SON ENTRETIEN.

## WICHTIG

TRAGEN SIE HIER DIE SERIENNUMMERN IHRER MASCHINE EIN UND GEBEN SIE DIESE IMMER AN, WENN SIE SICH AN UNS ODER IHREN HÄNDLER WENDEN. DAS IST BESONDERS BEI ERSATZTEILBESTELLUNGEN WICHTIG. VERGESSEN SIE NICHT, ALLE ZAHLEN UND BUCHSTABEN ZU NOTIEREN.

SERIENNUMMERN DER MASCHINE \_\_\_\_\_

DIE ANGABEN IN DIESEM HANDBUCH SIND BEI VERÖFFENTLICHUNG KORREKT. AUFGRUND DER KONSTANTEN WEITERENTWICKLUNG VON BOMFORD TURNER MASCHINEN SIND JEDOCH ÄNDERUNGEN IN DER SPEZIFIKATION UNVERMEIDLICH. WENN DIE INFORMATION IN DIESEM HANDBUCH NICHT MIT IHRER MASCHINE ÜBEREINSTIMMEN, NEHMEN SIE BITTE KONTAKT MIT DER BOMFORD TURNER KUNDENDIENSTABTEILUNG AUF, DIE IHNEN GERNE DIE AKTUELLEN INFORMATION ZUKOMMEN LÄSST.

DAS HANDBUCH KANN SOWOHL BESCHREIBUNGEN FÜR DIE STANDARD AUSFÜHRUNG ALS AUCH FÜR ZUBEHÖR ENTHALTEN UND IST NICHT ALS MASCHINENSPEZIFIKATION ZU VERWENDET.

DIE MASCHINE IST GETESTET UND BEI SACHGEMÄSSEM BETRIEB ALS SICHER BEFUNDEN WORDEN. SORGEN SIE DAFÜR, DASS IHR BEDIENPERSONAL IN ANWENDUNG UND WARTUNG RICHTIG GESCHULT WIRD.

## BUZZARD 6.5, 7.25 & 8.0 RANGE OF ARM MOWERS

PAGE ILLUSTRATION NUMBERS SHOWN ARE USED ONLY FOR REFERENCE PURPOSES AND SHOULD NOT BE USED FOR ORDERING SPARE PARTS. PLEASE ENSURE THE CORRECT PART NUMBER AND DESCRIPTION IS GIVEN WHEN ORDERING SPARE PARTS.

PAGE NO	DESCRIPTION
2 - 1 TO 2 - 4	MAINFRAME & MOUNTING ASSEMBLY
3 - 1 TO 3 - 2	OIL TANK ASSEMBLY
4 - 1 TO 4 - 2	KINGPOST ASSEMBLY
5 - 1 TO 5 - 6	FIRST ARM ASSEMBLIES
6 - 1 TO 6 - 14	2 <sup>ND</sup> , 3 <sup>RD</sup> , TELESCOPIC ARM & INTERMEDIATE BEAM ASSEMBLIES
7 - 1 TO 7 - 2	HEAD ANGLING BRACKET AND LINKAGE
8 - 1 TO 8 - 9	GEARBOX & PUMP CIRCUITS Electric DSR Valve Electric Diverter Valve Diverter – 3 Arm Machines PTO/Gearbox Assy Piston
9 - 1 TO 9 - 2	VALVE, ELECTRIC
10 - 1 TO 10 - 2	REMOTE CONTROL ASSEMBLY
11 - 1 TO 11 - 4	RAM CIRCUITS
12 - 1 TO 12 - 2	SLEW RAM AND ACCUMULATOR
13 - 1 TO 13 - 2	TELESCOPIC ARM RAM
14 - 1 TO 14 - 14	HOSE CIRCUITS
15 - 1 TO 15 - 2	OIL COOLER ASSEMBLY
16 - 1 TO 16 - 4	CUTTING HEAD TRANSPORT SUPPORT
17 - 1 TO 17 - 2	DECALS
18 - 1 TO 18 - 2	ROAD LIGHTING KIT
19 - 1 TO 19 - 4	ELECTRIC ARM FLOAT KIT

### IMPORTANT

THIS MACHINE IS FOR VEGETATION CONTROL AND MUST NOT BE USED FOR ANY OTHER PURPOSE

IT IS POTENTIALLY HAZARDOUS TO FIT OR USE ANY PARTS OTHER THAN GENUINE BOMFORD TURNER PARTS

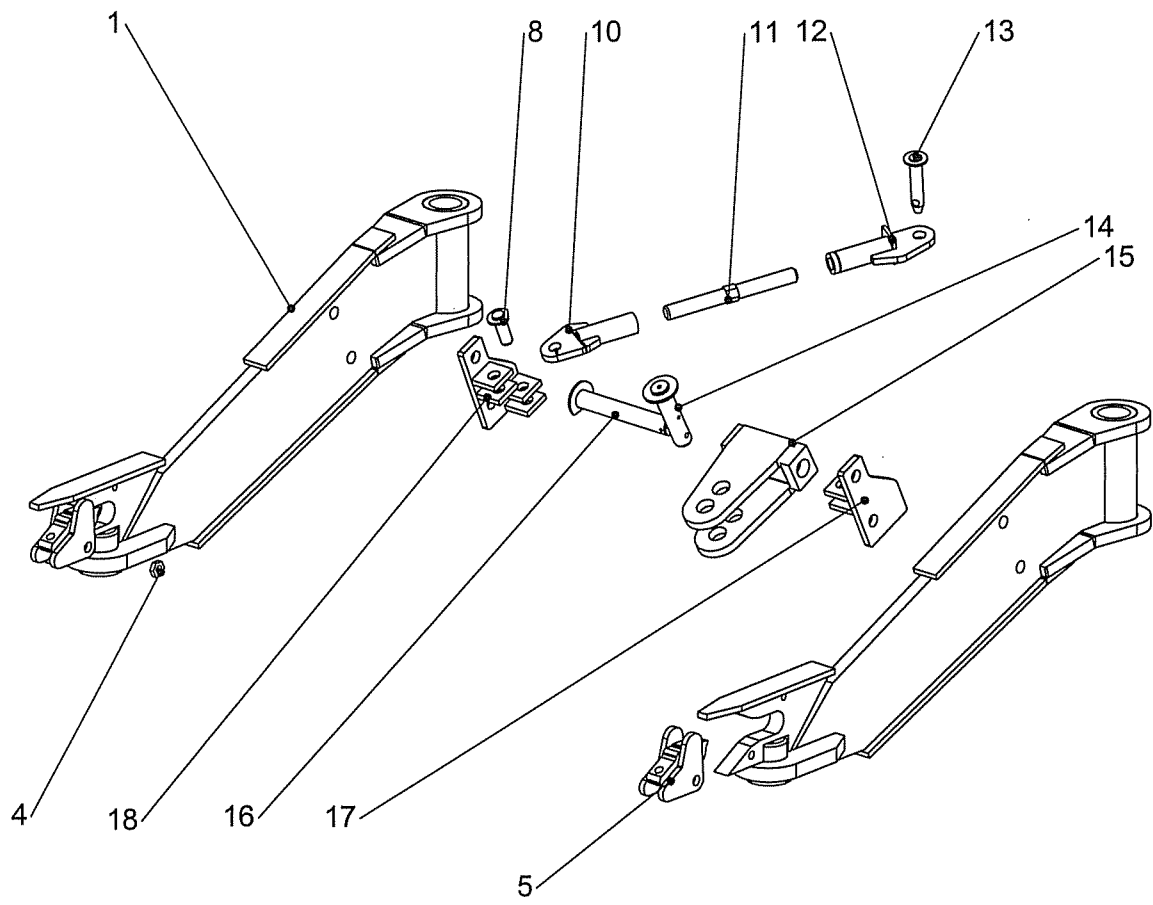
THE COMPANY DISCLAIMS ALL LIABILITY FOR THE CONSEQUENCES OF SUCH USE WHICH, IN ADDITION, VOIDS THE MACHINE WARRANTY



## 77.267.01/02 MAINFRAME ASSY LH / RH 9392

01	05.227.01	HAMMER DRIVE SCREW NO.6X3/8"	2
01	05.774.07	SERIAL NO. PLATE BOMFORDTURNER	1
01	05.953.03	GREASE NIPPLE M10	2
01	46668.01	MAINFRAME LH	1
*01	46668.02	MAINFRAME RH	1
*02	03.655.53	PIN 35 X 189	1
02	05.287.02	SELF-LOCKING NUT M10 PLATED	1
02	05.291.18	BOLT M10 X 65 PLATED	1
03	08.297.17	PLASTIC BUSH 70 X 60 X 30	4
04	46703.01	STAND - FRONT	2
05	46704.01	FOOT - ADJUSTER	2
05	05.286.05	NUT M20	2
06	45210.01	PLUG PLASTIC 70 X 70 BLACK	2
07	00.372.01	LINCH PIN	4
07	42930.04	PIN 19 DIA X 102	4
08	05.282.01	SPRING WASHER 8MM PLATED	7
08	05.286.01	NUT M8 PLATED	7
08	46721.01	GUARD - REAR LH	1
*08	46721.02	GUARD - REAR RH	1
08	9293054	BOLT CUP SQUARE M8X25 (PLATE)	7
*09	46705.01	LOWER LINK CRANK	2
09	9501509	SPLIT PIN 10MM DIA X 50MM	2
*10	03.657.18	PIN 50 DIA X 291MM	2
10	05.287.03	SELF-LOCKING NUT M12 PLATED	2
10	05.292.22	BOLT M12 X 90MM PLATED	2

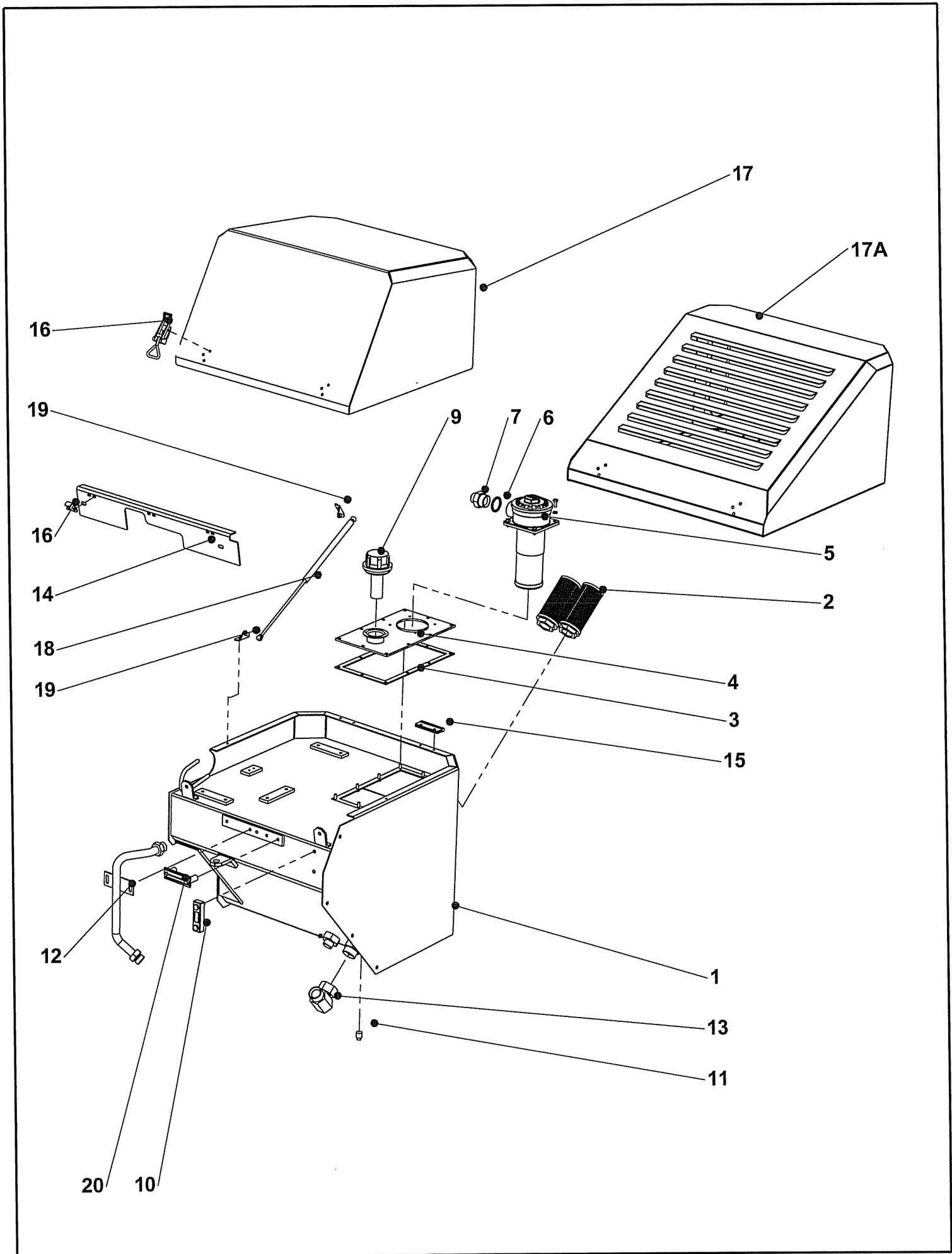
\* MAIN PART IN GROUP. RELATED PARTS HAVE SAME REFERENCE NUMBER.



## 77.070.01 AXLE MOUNTING 8273

01	45697.05	MOUNTING FORK HIGH	2
04	41000.36	NUT M16 THIN	4
*05	06.714.01	CATCH PLATE	2
05	05.264.40	SETSCREW M16 X 70	2
05	05.287.04	SELF LOCKING NUT M16	2
05	05.291.39	BOLT M16 X 70	2
*08	03.652.02	PIN 20 DIA X 53	2
08	05.284.03	SPLIT COTTER 3.2MM X 36MM	2
10	03.806.01	BRACKET-TIE ROD R.H.	2
*11	03.804.01	TURNBUCKLE PLATED	2
11	05.286.06	NUT M24 PLATED	2
12	03.805.01	BRACKET-TIE ROD L.H.	2
*13	03.652.25	PIN 20 DIA X 137	2
13	05.284.03	SPLIT COTTER 3.2MM X 36MM	2
*14	03.654.01	PIN 30 DIA X 198	1
14	05.284.16	SPLIT COTTER 5MM X 50MM	1
14	05.953.03	GREASE NIPPLE M10	1
15	43004.01	BRACKET YOKE	1
*16	03.654.02	PIN 30 DIA X 96	1
16	05.284.16	SPLIT COTTER 5MM X 50MM	1
16	05.953.03	GREASE NIPPLE M10	1
17	05.282.05	SPRING WASHER 20MM PLATED	2
17	05.286.05	NUT M20 PLATED	2
17	05.291.47	BOLT M20X65 PLATED	2
*17	43502.01	BRACKET LH	1
18	05.282.05	SPRING WASHER 20MM PLATED	2
18	05.286.05	NUT M20 PLATED	2
18	05.291.47	BOLT M20X65 PLATED	2
*18	43502.02	BRACKET RH	1

\* MAIN PART IN GROUP.RELATED PARTS HAVE SAME REFERENCE NUMBER.





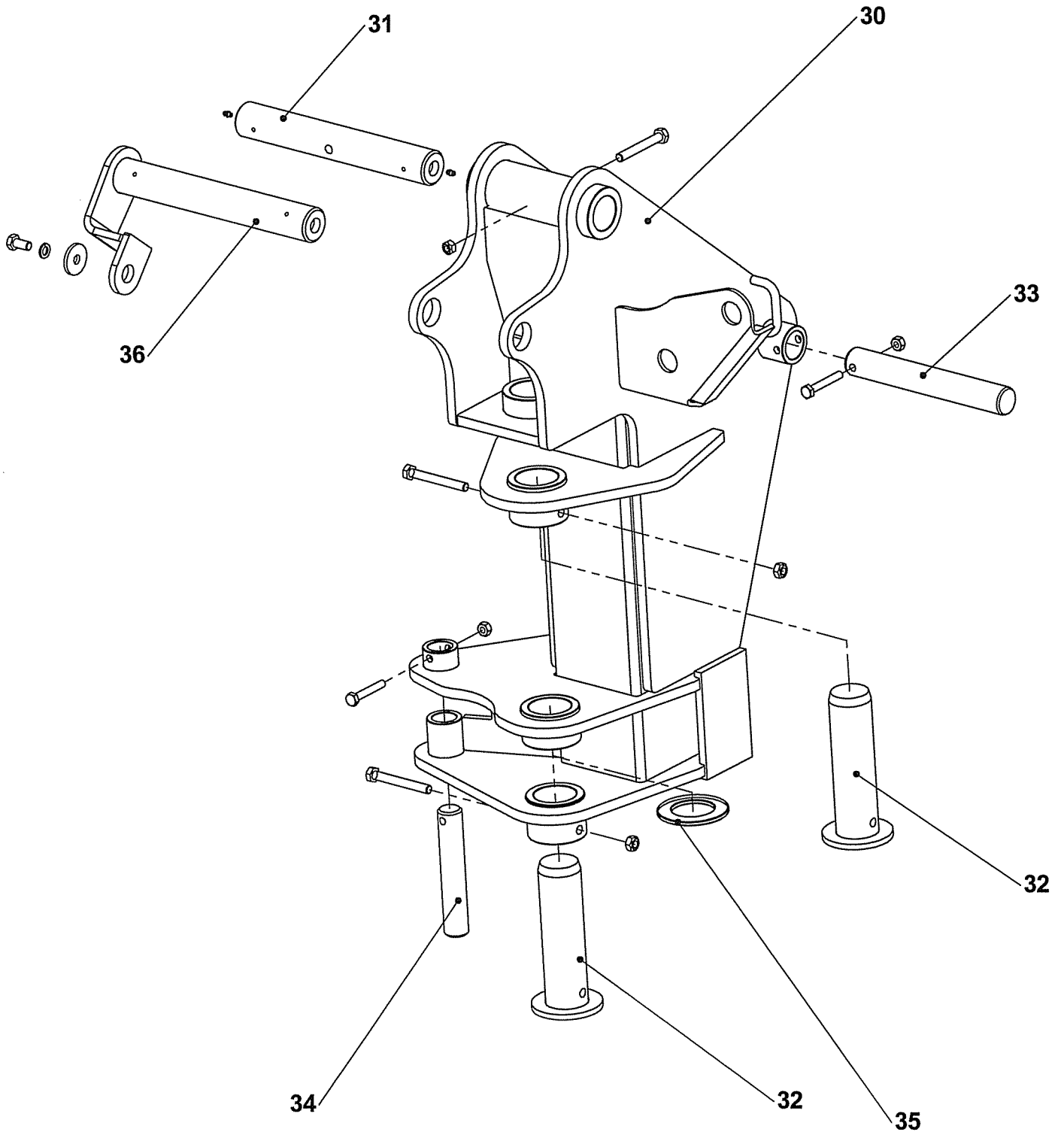
## 77.109.04/05 OIL TANK ASSY LH/RH 125L 9392

01	03.100.01	STUD M10 X 34MM	6
01	05.264.01	SETSCREW M8 X 20MM PLATED	4
01	05.281.01	FLAT WASHER 8MM PLATED	10
01	05.282.01	SPRING WASHER 8MM PLATED	4
01	05.282.02	SPRING WASHER 10MM PLATED	6
01	05.286.01	NUT M8 PLATED	10
01	05.286.02	NUT M10 PLATED	6
01	05.287.04	SELF-LOCKING NUT M16 PLATED	3
01	05.291.34	SETSCREW M16 X 45MM PLATED	2
01	05.292.31	BOLT M16 X 80MM PLATED	1
01	46706.01	TANK - OIL LH	1
*01	46706.02	TANK - OIL RH	1
02	8401047	SE75351310M SUCTION ELEMENT	2
03	08.605.01	GASKET	1
04	41.255.01	PLATE - FILLER/FILTER	1
05	41.041.01	FILTER ASSEMBLY 125L	1
05	41.041.02	ELEMENT 125L	0
06	05.290.08	BONDED SEAL 1.1/4"BSP	1
07	05.131.01	ADAPTOR 1" X 1.1/4" BSP	1
09	06.966.02	FILLER BREATHER CAP & STRAINER	1
10	08.921.01	FLUID LEVEL GAUGE	1
11	05.495.01	PLUG 1/2"BSPT	1
12	04.282.88	STUD M10 X 23	2
12	05.282.02	SPRING WASHER 10MM PLATED	2
12	05.286.02	NUT M10 PLATED	2
12	46107.03	PIPE - HYDRAULIC 1"BSP LH	1
*12	46107.04	PIPE - HYDRAULIC 1"BSP RH	1
13	05.835.10	ADAPTOR 90 SWIVEL 1.1/2"BSP MF	1
14	05.264.12	SETSCREW M10 X 25MM PLATED	2
14	05.281.02	FLT WASHER 10MM PLATED FORM C	2
14	05.282.02	SPRING WASHER 10MM PLATED	2
14	05.286.02	NUT M10 PLATED	2
14	46771.01	COVER - TANK FRONT LH	1
*14	46771.02	COVER - TANK FRONT RH	1
15	05.345.14	M6 CSK SKT SCREW 16MM	12
15	30.070.64	NUT NYLOC M6.Z/P.	12
*15	46065.01	HINGE	2
16	43449.03	PLATE TOGGLE CLAMP - TANK	2
*16	43449.04	FASTENER - OVERCENTRE	2
17	08.156.02	SELF ADH.POLY STRIP 16X6X2500	1
*17	46708.04▲	COVER - TANK TOP	1
17	47320.04▼	COVER - VENTED - TANK TOP	1
18	46748.01	GAS SPRING 600EX LG X 250 STK	1
19	46765.01	GAS SPRING MTG PLATE	2
20	04.282.80	STUD M10 X 50	2
20	05.281.02	FLT WASHER 10MM PLATED FORM C	2
20	05.282.02	SPRING WASHER 10MM PLATED	2
20	05.286.02	NUT M10 PLATED	2
*20	46070.02	CLAMP - HOSE	1

\* MAIN PART IN GROUP. RELATED PARTS HAVE SAME REFERENCE NUMBER.

▲ Up to Serial No. 3059S/05

▼ From Serial No. 3060S/05



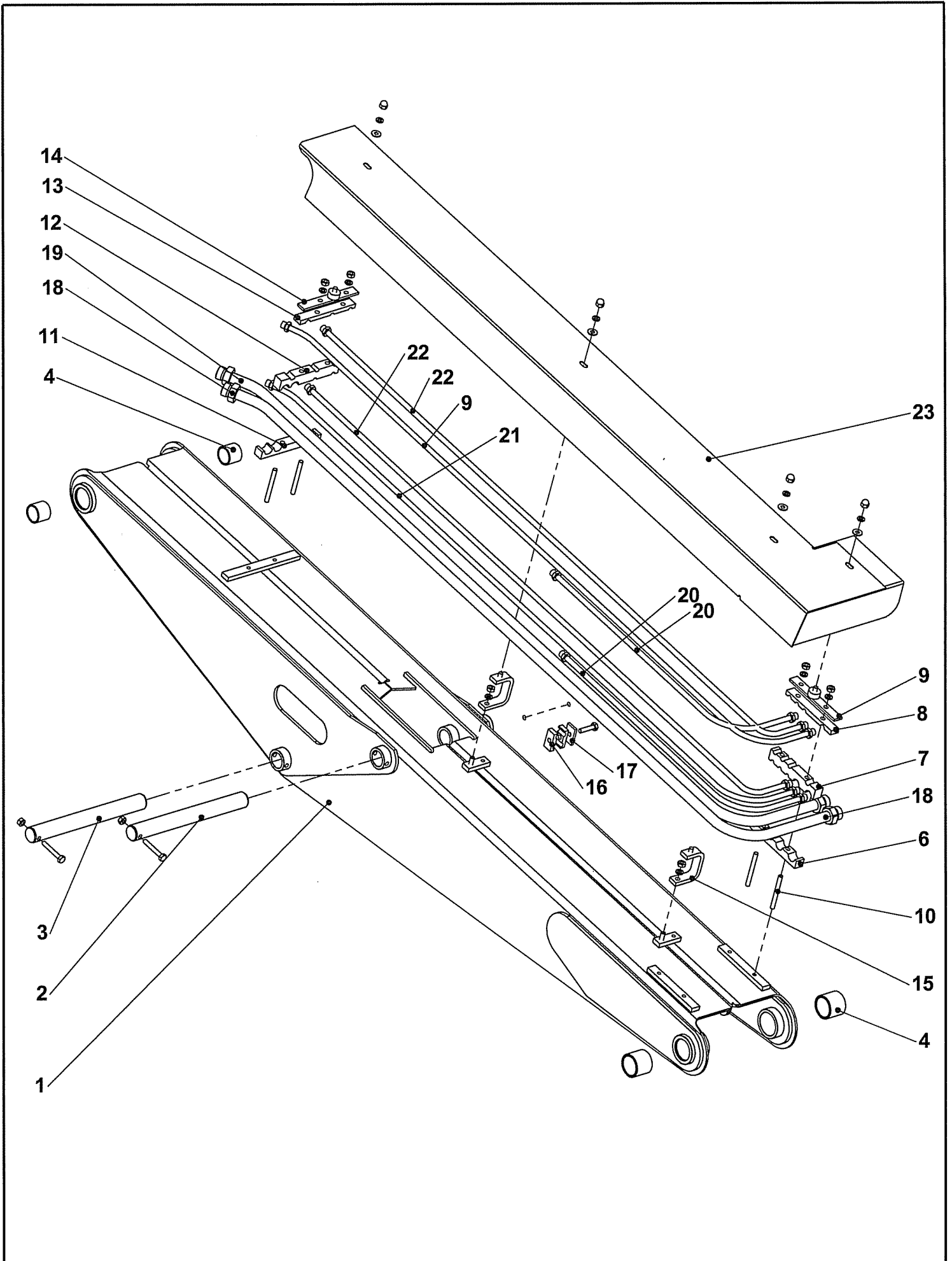
## 77.268.01/02 KINGPOST ASSY LH / RH NON-PAR 9392

30	46670.01	KINGPOST LH	1
30	46670.02	KINGPOST RH	1
*31▲	03.657.24	PIN - DIA 50 X 341	1
31▲	05.287.03	SELF-LOCKING NUT M12 PLATED	1
31▲	05.292.22	BOLT M12 X 90MM PLATED	1
31▲	05.953.01	GREASE NIPPLE M6	2
32	05.287.03	SELF-LOCKING NUT M12 PLATED	2
32	05.292.23	BOLT M12 X 100MM PLATED	2
*32	45965.02	PIN - KINGPOST 60	2
*33	03.656.41	PIN 40 DIA X 278	1
33	05.287.02	SELF-LOCKING NUT M10 PLATED	1
33	05.291.19	BOLT M10 X 70MM PLATED	1
*34	03.655.53	PIN 35 X 189	1
34	05.287.02	SELF-LOCKING NUT M10 PLATED	1
34	05.291.18	BOLT M10 X 65 PLATED	1
35	09.918.02	THRUST WASHER 60 DIA PLASTIC	2
*36▼	03.657.39	PIN DIA 50 X 343	1
36▼	05.234.01	WASHER SPECIAL	1
36▼	05.264.22	SETSCREW M12 X 25LG	1
36▼	05.282.03	SPRING WASHER M12	1

▲ MACHINES UP TO SERIAL NUMBER 2055R/04 USE ITEM 31

▼ MACHINES FROM SERIAL NUMBER 2056R/04 USE ITEM 36

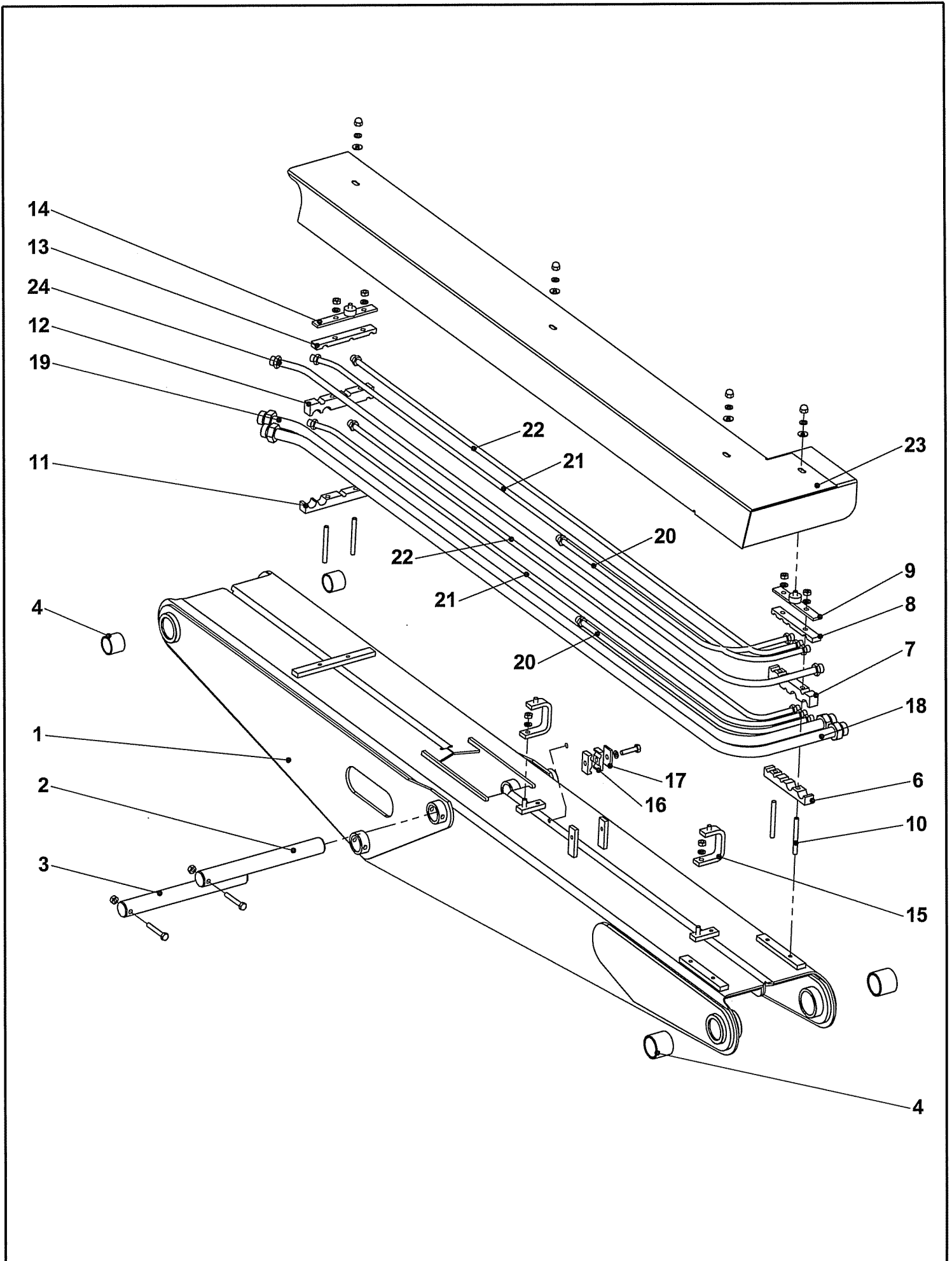
- MAIN PART IN GROUP. RELATED PARTS HAVE SAME REFERENCE NUMBER.



## 77.271.01/02 FIRST ARM ASSY LH / RH NON-PAR 9392

01	46675.01	ARM - FIRST	1
02	05.287.02	SELF-LOCKING NUT M10 PLATED	1
02	05.291.19	BOLT M10 X 70MM PLATED	1
*02	43292.45	PIN 40 DIA X 365	1
03	05.287.02	SELF-LOCKING NUT M10 PLATED	1
03	05.291.19	BOLT M10 X 70MM PLATED	1
*03	43292.45	PIN 40 DIA X 365	1
04	08.297.01	BUSH - PLASTIC 60 X 50 X 50	4
06	46755.04	CLAMP - HOSE RIGID BOTTOM	1
07	46755.05	CLAMP - HOSE MIDDLE	1
08	46755.06	CLAMP - HOSE RIGID TOP	1
09	04.282.88	STUD M10 X 23	1
09	05.281.02	FLT WASHER 10MM PLATED FORM C	1
09	05.282.02	SPRING WASHER 10MM PLATED	1
*09	46763.02	CLAMP - BOTTOM	1
09	9100025	NUT DOMED M10 PLATED	1
*10	04.282.10	STUD M10 X 100MM	4
10	05.282.02	SPRING WASHER 10MM PLATED	4
10	05.286.02	NUT M10 PLATED	4
11	46755.07	CLAMP - HOSE BOTTOM	1
12	46755.08	CLAMP - HOSE MIDDLE	1
13	46755.09	CLAMP - HOSE RIGID TOP	1
14	04.282.88	STUD M10 X 23	1
14	05.281.02	FLT WASHER 10MM PLATED FORM C	1
14	05.282.02	SPRING WASHER 10MM PLATED	1
*14	46763.01	CLAMP - TOP	1
14	9100025	NUT DOMED M10 PLATED	1
15	03.100.01	STUD M10 X 34MM	2
15	04.282.88	STUD M10 X 23	2
15	05.281.02	FLT WASHER 10MM PLATED FORM C	2
15	05.282.02	SPRING WASHER 10MM PLATED	4
15	05.286.02	NUT M10 PLATED	2
*15	46770.01	CLAMP - SUPPORT	2
15	9100025	NUT DOMED M10 PLATED	2
16	46755.10	CLAMP - HOSE	2
17	05.282.02	SPRING WASHER 10MM PLATED	1
17	05.291.14	BOLT M10 X 45MM PLATED	1
*17	06.418.06	CLAMP PLATE 48 X 6	1
18	46754.01	HOSE 1"BSP RIGID	1
19	46754.02	HOSE 1"BSP RIGID	1
20	46752.03	HOSE 3/8"BSP RIGID	2
21	46752.04	HOSE 3/8"BSP RIGID	2
22	46752.05	HOSE 3/8"BSP RIGID	2
23	46762.01	COVER FIRST ARM LH	1
23	46762.02	COVER FIRST ARM RH	1

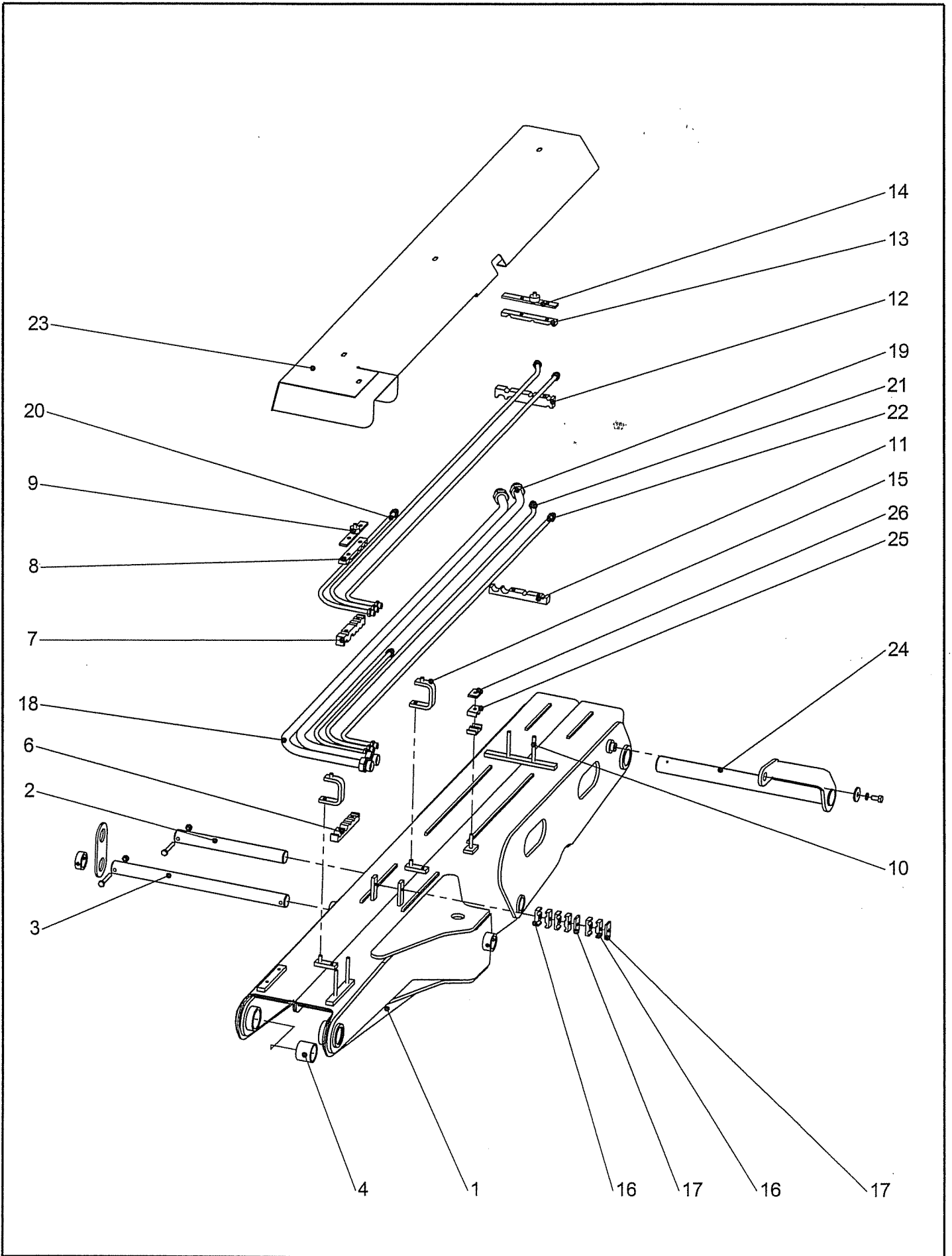
- MAIN PART IN GROUP. RELATED PARTS HAVE SAME REFERENCE NUMBER.



## 77.271.03/04 FIRST ARM ASSY LH / RH PISTON 9392

01	46675.01	ARM - FIRST	1
02	05.287.02	SELF-LOCKING NUT M10 PLATED	1
02	05.291.19	BOLT M10 X 70MM PLATED	1
*02	43292.45	PIN 40 DIA X 365	1
03	05.287.02	SELF-LOCKING NUT M10 PLATED	1
03	05.291.19	BOLT M10 X 70MM PLATED	1
*03	43292.45	PIN 40 DIA X 365	1
04	08.297.01	BUSH - PLASTIC 60 X 50 X 50	4
06	46755.04	CLAMP - HOSE RIGID BOTTOM	1
07	46755.05	CLAMP - HOSE MIDDLE	1
08	46755.06	CLAMP - HOSE RIGID TOP	1
09	04.282.88	STUD M10 X 23	1
09	05.281.02	FLT WASHER 10MM PLATED FORM C	1
09	05.282.02	SPRING WASHER 10MM PLATED	1
*09	46763.02	CLAMP - BOTTOM	1
09	9100025	NUT DOMED M10 PLATED	1
*10	04.282.10	STUD M10 X 100MM	4
10	05.282.02	SPRING WASHER 10MM PLATED	4
10	05.286.02	NUT M10 PLATED	4
11	46755.07	CLAMP - HOSE BOTTOM	1
12	46755.08	CLAMP - HOSE MIDDLE	1
13	46755.09	CLAMP - HOSE RIGID TOP	1
14	04.282.88	STUD M10 X 23	1
14	05.281.02	FLT WASHER 10MM PLATED FORM C	1
14	05.282.02	SPRING WASHER 10MM PLATED	1
*14	46763.01	CLAMP - TOP	1
14	9100025	NUT DOMED M10 PLATED	1
15	03.100.01	STUD M10 X 34MM	2
15	04.282.88	STUD M10 X 23	2
15	05.281.02	FLT WASHER 10MM PLATED FORM C	2
15	05.282.02	SPRING WASHER 10MM PLATED	4
15	05.286.02	NUT M10 PLATED	2
*15	46770.01	CLAMP - SUPPORT	2
15	9100025	NUT DOMED M10 PLATED	2
16	46755.10	CLAMP - HOSE	2
17	05.282.02	SPRING WASHER 10MM PLATED	1
17	05.291.14	BOLT M10 X 45MM PLATED	1
*17	06.418.06	CLAMP PLATE 48 X 6	1
18	46754.01	HOSE 1"BSP RIGID	1
19	46754.02	HOSE 1"BSP RIGID	1
20	46752.03	HOSE 3/8"BSP RIGID	2
21	46752.04	HOSE 3/8"BSP RIGID	2
22	46752.05	HOSE 3/8"BSP RIGID	2
23	46762.01	COVER FIRST ARM LH	1
23	46762.02	COVER FIRST ARM RH	1
24	46753.03	HOSE 5/8"BSP RIGID	1

- MAIN PART IN GROUP. RELATED PARTS HAVE SAME REFERENCE NUMBER.





## 77.271.07/08 FIRST ARM ASSY LH / RH 8.0

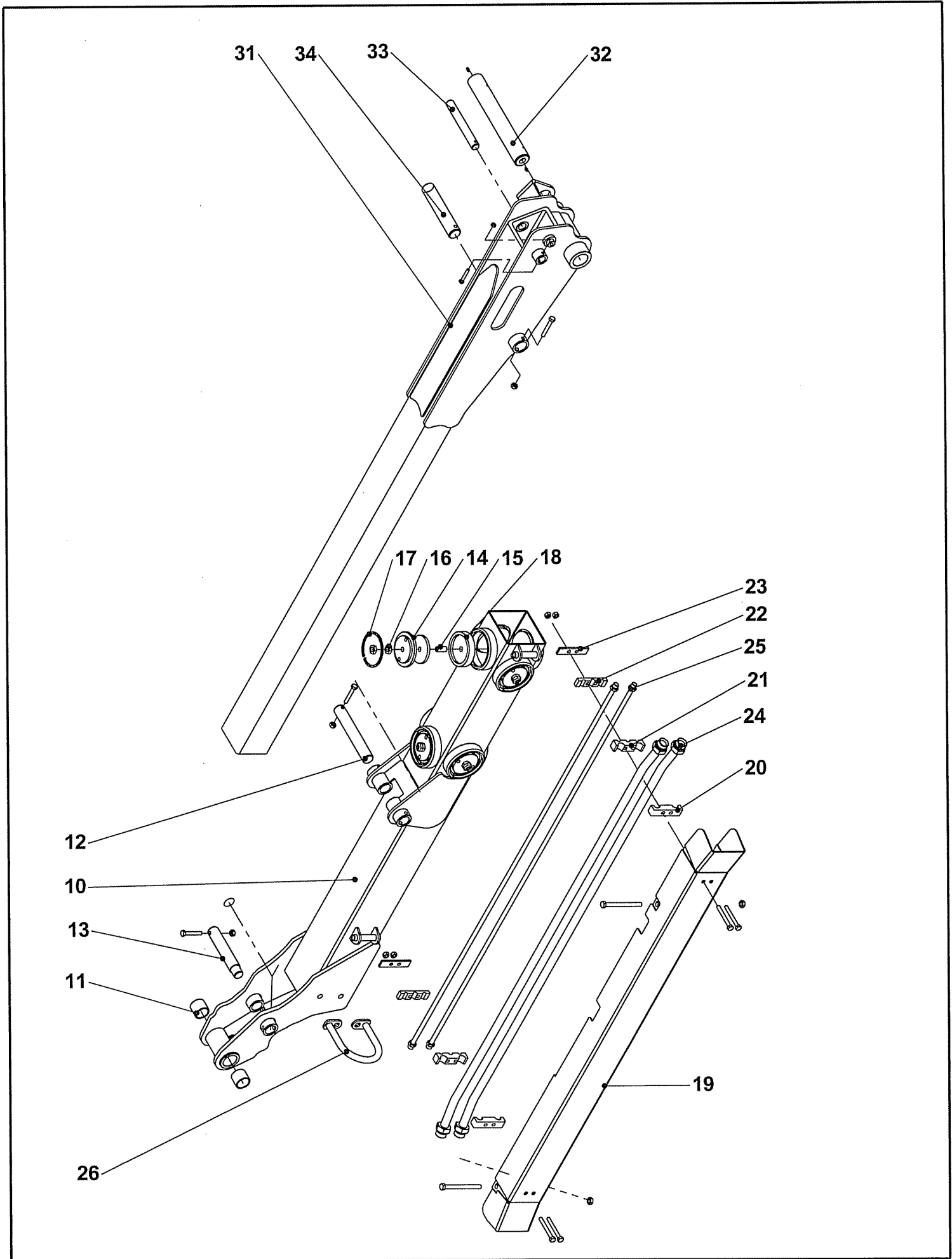
## 77,271.09/10 FIRST ARM ASSY LH / RH 7.25M &amp; 8.0M

01	46856.01	ARM – FIRST LH	1
01	46856.02	ARM – FIRST RH	1
02	05.287.02	SELF-LOCKING NUT M10 PLATED	1
02	05.291.19	BOLT M10 X 70MM PLATED	1
*02	43292.45	PIN 40 DIA X 365	1
03	05.287.02	SELF-LOCKING NUT M10 PLATED	1
03	05.291.19	BOLT M10 X 70MM PLATED	1
*03	43292.49	PIN 40 DIA X 581	1
04	08.297.01	BUSH - PLASTIC 60 X 50 X 50	4
06	46755.04	CLAMP - HOSE RIGID BOTTOM	1
07	46755.05	CLAMP - HOSE MIDDLE	1
08	46755.06	CLAMP - HOSE RIGID TOP	1
09	04.282.88	STUD M10 X 23	1
09	05.281.02	FLT WASHER 10MM PLATED FORM C	1
09	05.282.02	SPRING WASHER 10MM PLATED	1
*09	46763.02	CLAMP - BOTTOM	1
09	9100025	NUT DOMED M10 PLATED	1
*10	04.282.10	STUD M10 X 100MM	4
10	05.282.02	SPRING WASHER 10MM PLATED	4
10	05.286.02	NUT M10 PLATED	4
11	46755.07	CLAMP - HOSE BOTTOM	1
12	46755.08	CLAMP - HOSE MIDDLE	1
13	46755.09	CLAMP - HOSE RIGID TOP	1
14	04.282.88	STUD M10 X 23	1
14	05.281.02	FLT WASHER 10MM PLATED FORM C	1
14	05.282.02	SPRING WASHER 10MM PLATED	1
*14	46763.01	CLAMP - TOP	1
14	9100025	NUT DOMED M10 PLATED	1
15	03.100.01	STUD M10 X 34MM	2
15	04.282.88	STUD M10 X 23	2
15	05.281.02	FLT WASHER 10MM PLATED FORM C	2
15	05.282.02	SPRING WASHER 10MM PLATED	4
15	05.286.02	NUT M10 PLATED	2
*15	46770.01	CLAMP - SUPPORT	2
15	9100025	NUT DOMED M10 PLATED	2
16	46755.10	CLAMP - HOSE	2
17	05.282.02	SPRING WASHER 10MM PLATED	1
17	05.291.14	BOLT M10 X 45MM PLATED	1
17	05.291.20	BOLT M10 X 75 MM PLATED	1
*17	06.418.06	CLAMP PLATE 48 X 6	1
18	46754.01	HOSE 1"BSP RIGID	1
19	46754.02	HOSE 1"BSP RIGID	1
20	46752.03	HOSE 3/8"BSP RIGID	2
21	46752.04	HOSE 3/8"BSP RIGID	2
22▲	46752.05	HOSE 3/8"BSP RIGID	2
22▼	46752.10	HOSE 3/8"BSP RIGID	2
23	46762.03	COVER FIRST ARM LH	1
23	46762.04	COVER FIRST ARM RH	1
*24	03.657.38	PIN 50 DA X 561	1
24	05.234.01	WASHER 44.5 X 13 X 5MM	1
24	05.264.22	SETSCREW M12 X 25 MM	1
34	05.282.03	SPRING WASHER 12MM	1
24	05.953.01	GREASE NIPPLE M6	1
25	06.430.04	CLAMP HOSE	2

## ▲ 8.0 MACHINES

## ▼ 7.25M &amp; 8.0M MACHINES

- MAIN PART IN GROUP. RELATED PARTS HAVE SAME REFERENCE NUMBER.



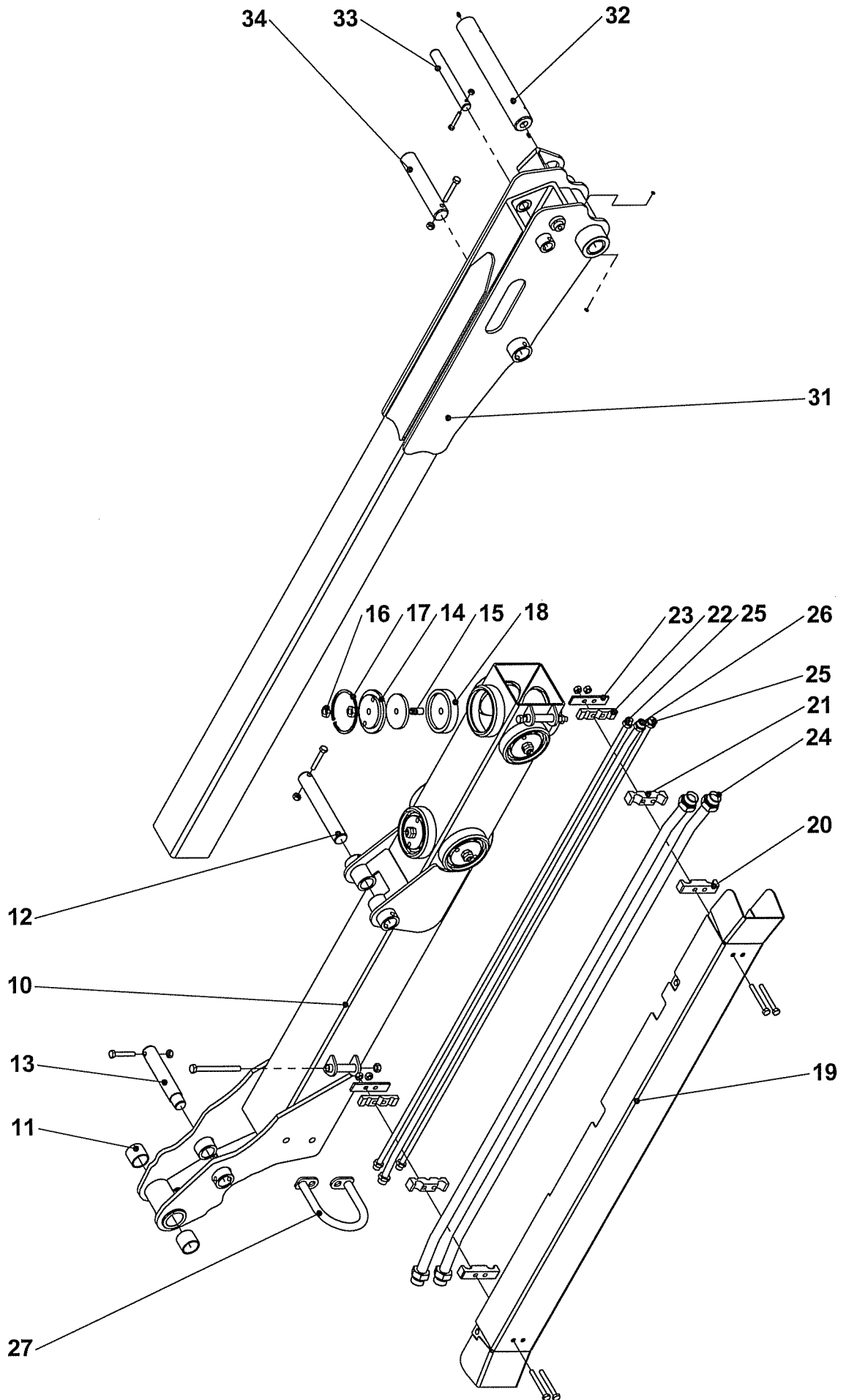
## 77.172.05/06 ARM ASSY OUTER LH / RH 65 9392

10	05.953.04	GREASE NIPPLE M10 90 DEG	1
*10	46740.01	ARM - OUTER TELE LH	1
10	46740.02	ARM - OUTER TELE RH	1
11	08.297.02	BUSH - PLASTIC 47 X 40 X 40	2
*12	03.655.64	PIN 35 DIA. x 225	1
12	05.287.02	SELF-LOCKING NUT M10 PLATED	1
12	05.291.18	BOLT M10 X 65 PLATED	1
*13	03.655.66	PIN 35 DIA X 199	1
13	05.287.02	SELF-LOCKING NUT M10 PLATED	1
13	05.291.18	BOLT M10 X 65 PLATED	1
14	41791.31	PLT 110DIA SCREW CAP WEAR PAD	8
15	41000.01	WEAR PAD SCREW	8
16	41000.36	M16 X 2.0 THIN NUT	16
17	05.959.25	CIRCLIP - 110DIA INTERNAL	8
18	41000.31	WEAR PAD EARTALON LFX 109.5DIA	8
19	05.287.03	SELF-LOCKING NUT M12 PLATED	2
19	05.292.27	BOLT M12 X 140MM PLATED	2
*19	46756.01	BRACKET - HOSE SUPPORT	1
20	46755.01	CLAMP - HOSE RIGID BOTTOM	2
21	46755.02	CLAMP - HOSE RIGID MIDDLE	2
22	46755.03	CLAMP - HOSE RIGID TOP	2
23	05.287.02	SELF-LOCKING NUT M10 PLATED	4
23	05.292.12	BOLT M10 X 90 PLATED	4
*23	46758.01	CLAMP	2
24	46751.01	HOSE 1"BSP RIGID	2
25	46752.01	HOSE 3/8"BSP RIGID	2
26	46892.01	GUARD	1

## 77.272.01 ARM ASSY INNER 659392

31	46677.01	ARM - INNER TELE 65	1
32	05.234.01	WASHER SPECIAL	1
32	05.264.22	SETSCREW M12 X 25	1
32	05.953.01	GREASE NIPPLE M6	2
*32	43292.48	PIN 50 DIA X 343	1
32	05.282.03	SPRING WASHER	1
*33	03.653.79	PIN 25 - 198LG	1
33	05.287.01	SELF-LOCKING NUT M8 PLATED	1
33	05.291.05	BOLT M8 X 50MM PLATED	1
*34	03.656.70	PIN - DIA 40 X 208	1
34	05.287.02	SELF-LOCKING NUT M10 PLATED	1
34	05.291.19	BOLT M10 X 70MM PLATED	1

- MAIN PART IN GROUP. RELATED PARTS HAVE SAME REFERENCE NUMBER.



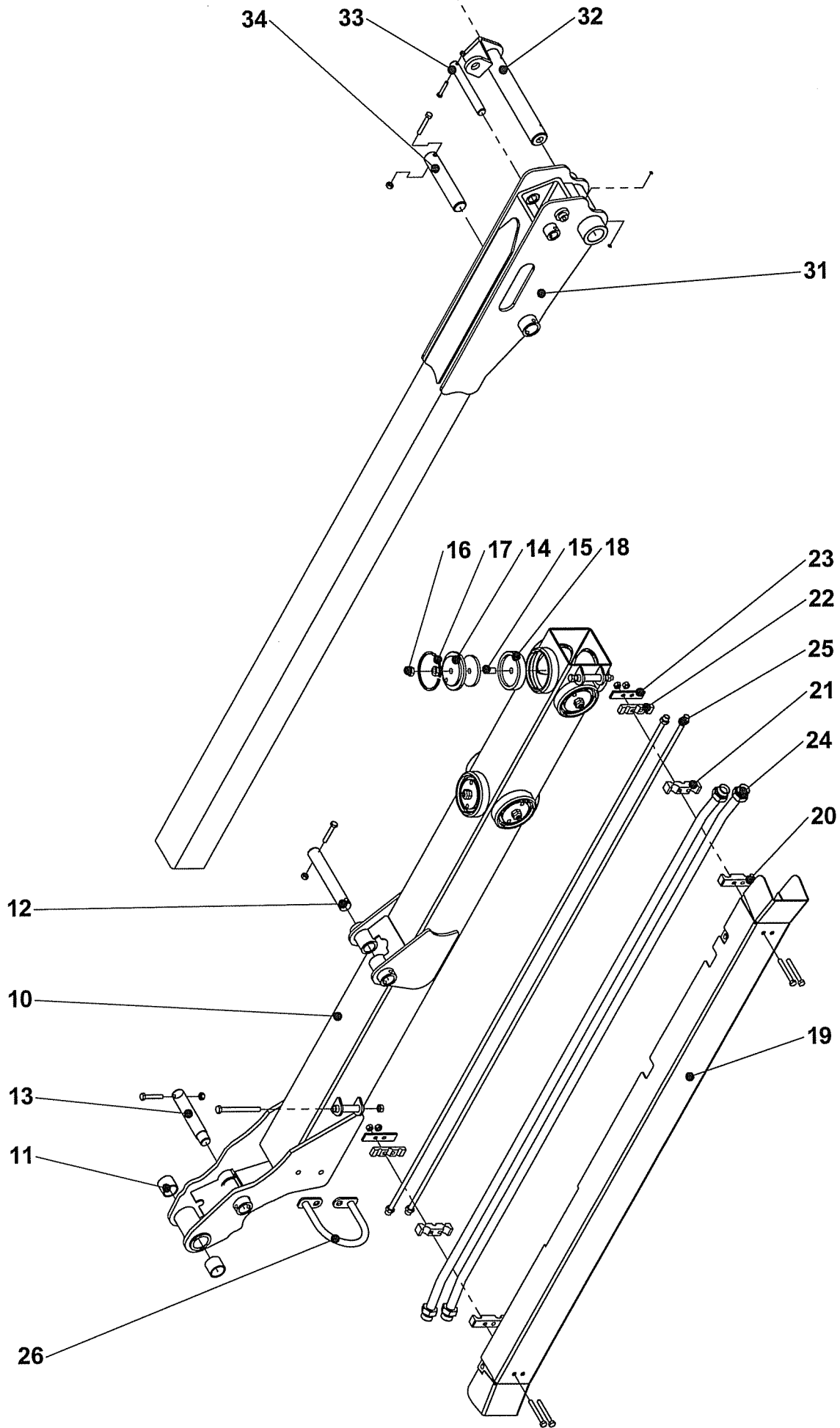
## 77.172.07/08 ARM ASSY OUTER LH / RH PISTON 9392

10	05.953.04	GREASE NIPPLE M10 90 DEG	1
*10	46740.01	ARM - OUTER TELE LH	1
10	46740.02	ARM - OUTER TELE RH	1
11	08.297.02	BUSH - PLASTIC 47 X 40 X 40	2
*12	03.655.64	PIN 35 DIA. x 225	1
12	05.287.02	SELF-LOCKING NUT M10 PLATED	1
12	05.291.18	BOLT M10 X 65 PLATED	1
*13	03.655.66	PIN 35 DIA X 199	1
13	05.287.02	SELF-LOCKING NUT M10 PLATED	1
13	05.291.18	BOLT M10 X 65 PLATED	1
14	41791.31	PLT 110DIA SCREW CAP WEAR PAD	8
15	41000.01	WEAR PAD SCREW	8
16	41000.36	M16 X 2.0 THIN NUT	16
17	05.959.25	CIRCLIP - 110DIA INTERNAL	8
18	41000.31	WEAR PAD EARTALON LFX 109.5DIA	8
19	05.287.03	SELF-LOCKING NUT M12 PLATED	2
19	05.292.27	BOLT M12 X 140MM PLATED	2
*19	46756.01	BRACKET - HOSE SUPPORT	1
20	46755.01	CLAMP - HOSE RIGID BOTTOM	2
21	46755.02	CLAMP - HOSE RIGID MIDDLE	2
22	46755.03	CLAMP - HOSE RIGID TOP	2
23	05.287.02	SELF-LOCKING NUT M10 PLATED	4
23	05.292.12	BOLT M10 X 90 PLATED	4
*23	46758.01	CLAMP	2
24	46751.01	HOSE 1"BSP RIGID	2
25	46752.01	HOSE 3/8"BSP RIGID	2
26	46753.01	HOSE 5/8"BSP RIGID	1
27	46892.01	GUARD	1

## 77.272.01 ARM ASSY INNER 659392

31	46677.01	ARM - INNER TELE 65	1
32	05.234.01	WASHER SPECIAL	1
32	05.264.22	SETSCREW M12 X 25	1
32	05.953.01	GREASE NIPPLE M6	2
*32	43292.48	PIN 50 DIA X 343	1
32	05.282.03	SPRING WASHER	1
*33	03.653.79	PIN 25 - 198LG	1
33	05.287.01	SELF-LOCKING NUT M8 PLATED	1
33	05.291.05	BOLT M8 X 50MM PLATED	1
*34	03.656.70	PIN - DIA 40 X 208	1
34	05.287.02	SELF-LOCKING NUT M10 PLATED	1
34	05.291.19	BOLT M10 X 70MM PLATED	1

- MAIN PART IN GROUP. RELATED PARTS HAVE SAME REFERENCE NUMBER.



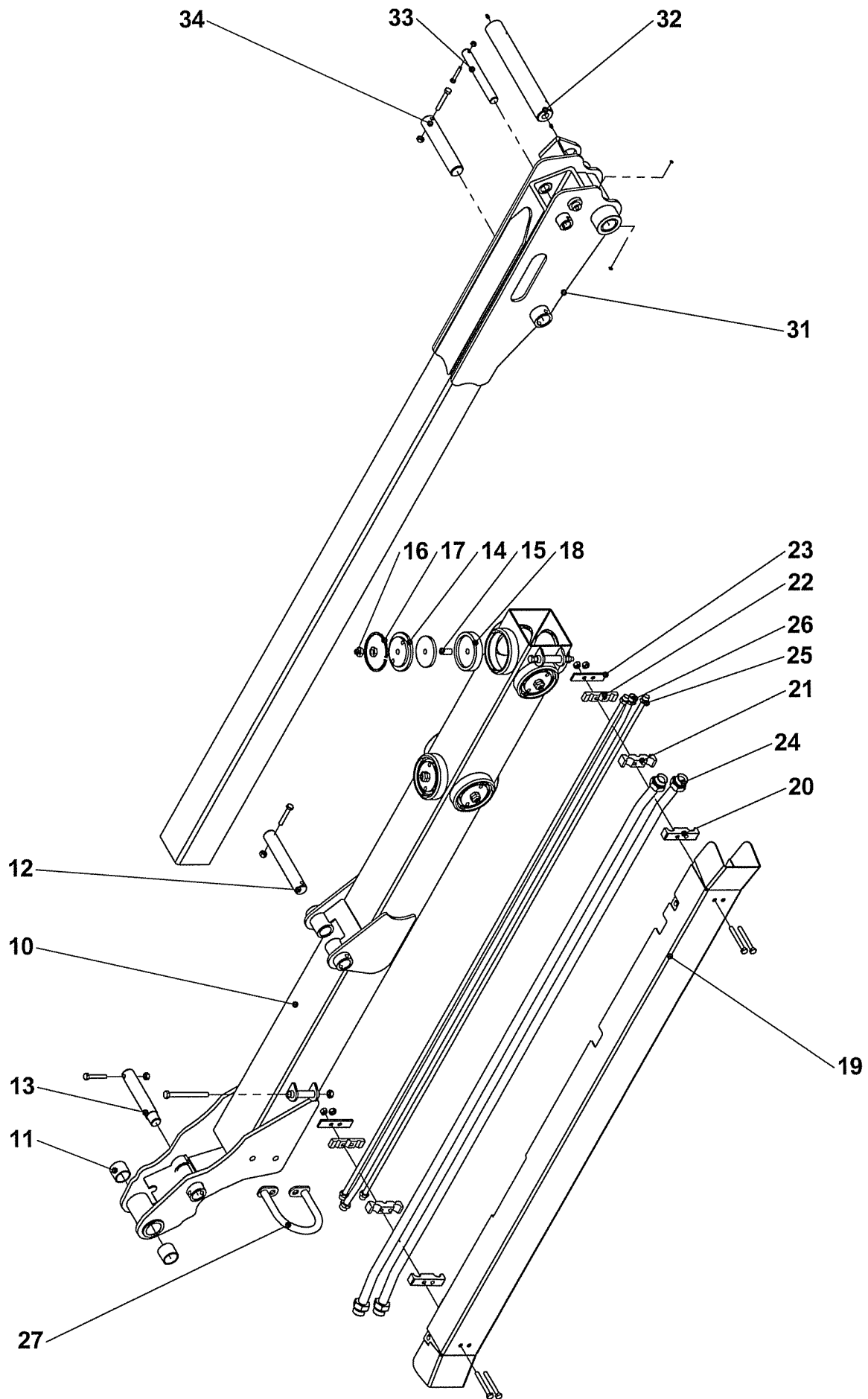
## 77.235.02/03 ARM ASSY OUTER 725 LH / RH 9392

10	05.953.03	GREASE NIPPLE M10	1
*10	46522.01	ARM - OUTER TELE LH	1
10	46522.02	ARM – OUTER TELE RH	1
11	08.297.02	BUSH - PLASTIC 47 X 40 X 40	2
*12	03.655.64	PIN 35 DIA. x 225	1
12	05.287.02	SELF-LOCKING NUT M10 PLATED	1
12	05.291.18	BOLT M10 X 65 PLATED	1
*13	03.655.66	PIN 35 DIA X 199	1
13	05.287.02	SELF-LOCKING NUT M10 PLATED	1
13	05.291.18	BOLT M10 X 65 PLATED	1
14	41791.31	PLT 110DIA SCREW CAP WEAR PAD	8
15	41000.01	WEAR PAD SCREW	8
16	41000.36	M16 X 2.0 THIN NUT	16
17	05.959.25	CIRCLIP - 110DIA INTERNAL	8
18	41000.31	WEAR PAD EARTALON LFX 109.5DIA	8
19	05.287.03	SELF-LOCKING NUT M12 PLATED	2
19	05.292.27	BOLT M12 X 140MM PLATED	2
*19	46756.02	BRACKET - HOSE SUPPORT	1
20	46755.01	CLAMP - HOSE RIGID BOTTOM	2
21	46755.02	CLAMP - HOSE RIGID MIDDLE	2
22	46755.03	CLAMP - HOSE RIGID TOP	2
23	05.287.02	SELF-LOCKING NUT M10 PLATED	4
23	05.292.12	BOLT M10 X 90 PLATED	4
*23	46758.01	CLAMP	2
24	46751.02	HOSE 1"BSP RIGID	2
25	46752.02	HOSE 3/8"BSP RIGID	2
26	46892.01	GUARD	1

## 77.272.02 ARM ASSY INNER 725 9392

31	46688.01	ARM - INNER TELE 725	1
32	05.234.01	WASHER SPECIAL	1
32	05.264.22	SETSCREW M12 X 25	1
32	05.953.01	GREASE NIPPLE M6	2
*32	43292.48	PIN 50 DIA X 343	1
32	05.282.03	SPRING WASHER	1
*33	03.653.79	PIN 25 - 198LG	1
33	05.287.01	SELF-LOCKING NUT M8 PLATED	1
33	05.291.05	BOLT M8 X 50MM PLATED	1
*34	03.656.70	PIN - DIA 40 X 208	1
34	05.287.02	SELF-LOCKING NUT M10 PLATED	1
34	05.291.19	BOLT M10 X 70MM PLATED	1

- MAIN PART IN GROUP. RELATED PARTS HAVE SAME REFERENCE NUMBER.





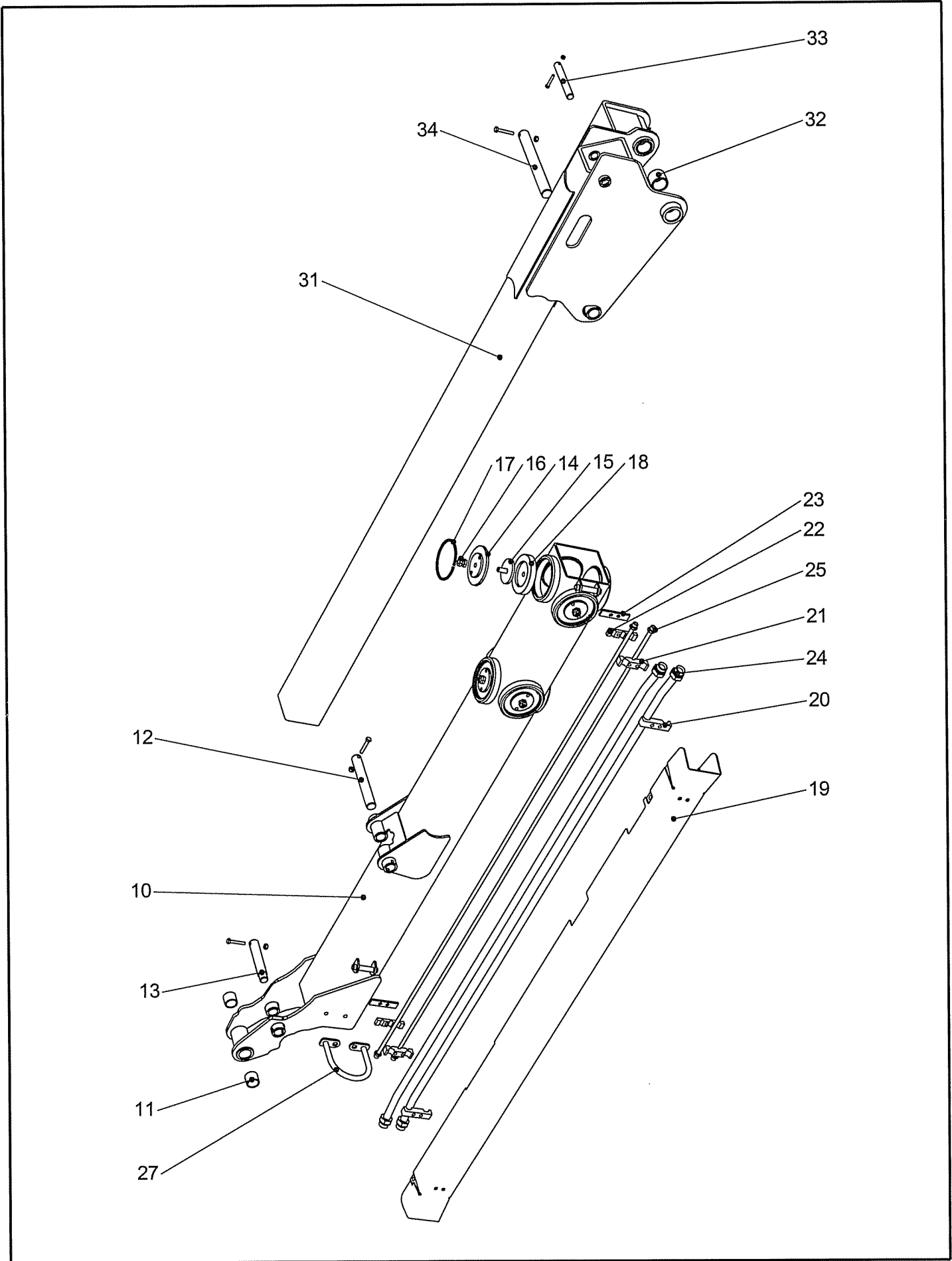
## 77.235.04/05 ARM ASSY OUTER LH / RH PISTON 9392

10	05.953.03	GREASE NIPPLE M10	1
*10	46522.01	ARM - OUTER TELE LH	1
10	46522.02	ARM - OUTER TELE RH	1
11	08.297.02	BUSH - PLASTIC 47 X 40 X 40	2
*12	03.655.64	PIN 35 DIA. x 225	1
12	05.287.02	SELF-LOCKING NUT M10 PLATED	1
12	05.291.18	BOLT M10 X 65 PLATED	1
*13	03.655.66	PIN 35 DIA X 199	1
13	05.287.02	SELF-LOCKING NUT M10 PLATED	1
13	05.291.18	BOLT M10 X 65 PLATED	1
14	41791.31	PLT 110DIA SCREW CAP WEAR PAD	8
15	41000.01	WEAR PAD SCREW	8
16	41000.36	M16 X 2.0 THIN NUT	16
17	05.959.25	CIRCLIP - 110DIA INTERNAL	8
18	41000.31	WEAR PAD EARTALON LFX 109.5DIA	8
19	05.287.03	SELF-LOCKING NUT M12 PLATED	2
19	05.292.27	BOLT M12 X 140MM PLATED	2
*19	46756.02	BRACKET - HOSE SUPPORT	1
20	46755.01	CLAMP - HOSE RIGID BOTTOM	2
21	46755.02	CLAMP - HOSE RIGID MIDDLE	2
22	46755.03	CLAMP - HOSE RIGID TOP	2
23	05.287.02	SELF-LOCKING NUT M10 PLATED	4
23	05.292.12	BOLT M10 X 90 PLATED	4
*23	46758.01	CLAMP	2
24	46751.02	HOSE 1"BSP RIGID	2
25	46752.02	HOSE 3/8"BSP RIGID	2
26	46753.02	HOSE 5/8"BSP RIGID	1
27	46892.01	GUARD	1

## 77.272.02 ARM ASSY INNER 725 9392

31	46688.01	ARM - INNER TELE 725	1
32	05.234.01	WASHER SPECIAL	1
32	05.264.22	SETSCREW M12 X 25	1
32	05.953.01	GREASE NIPPLE M6	2
*32	43292.48	PIN 50 DIA X 343	1
32	05.282.03	SPRING WASHER	1
*33	03.653.79	PIN 25 - 198LG	1
33	05.287.01	SELF-LOCKING NUT M8 PLATED	1
33	05.291.05	BOLT M8 X 50MM PLATED	1
*34	03.656.70	PIN - DIA 40 X 208	1
34	05.287.02	SELF-LOCKING NUT M10 PLATED	1
34	05.291.19	BOLT M10 X 70MM PLATED	1

- MAIN PART IN GROUP. RELATED PARTS HAVE SAME REFERENCE NUMBER.



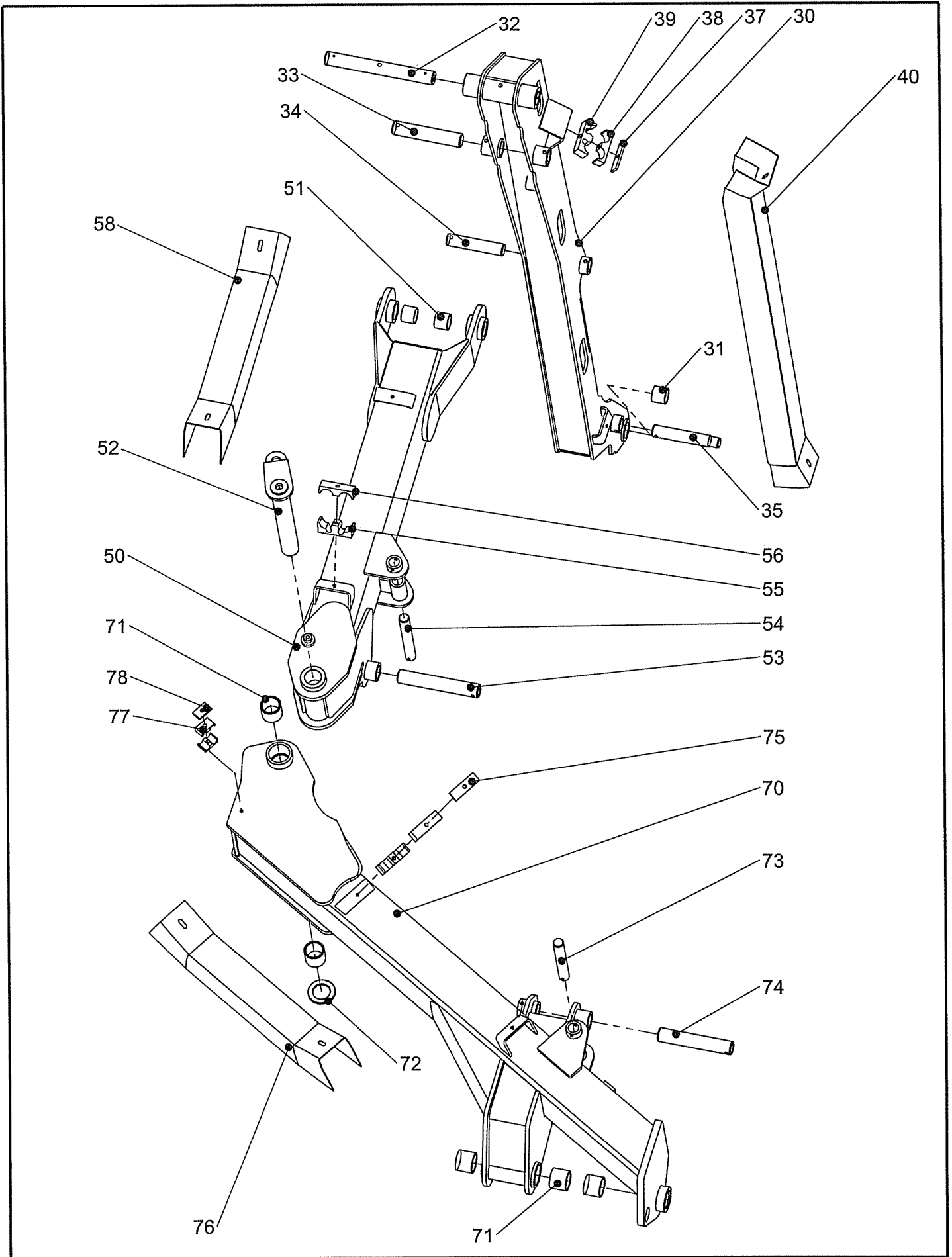
## 77.288.01/02 ARM ASSY OUTER LH / RH 80

10	05.953.03	GREASE NIPPLE M10 90	1
*10	46851.01	ARM - OUTER TELE LH	1
10	46851.02	ARM - OUTER TELE RH	1
11	08.297.02	BUSH - PLASTIC 47 X 40 X 40	2
*12	03.655.30	PIN 35 DIA. x 260	1
12	05.287.02	SELF-LOCKING NUT M10 PLATED	1
12	05.291.18	BOLT M10 X 65 PLATED	1
*13	03.655.66	PIN 35 DIA X 199	1
13	05.287.02	SELF-LOCKING NUT M10 PLATED	1
13	05.291.18	BOLT M10 X 65 PLATED	1
14	41791.03	DISC LOCATION	8
15	41000.01	WEAR PAD SCREW	8
16	41000.36	M16 X 2.0 THIN NUT	16
17	05.959.08	CIRCLIP - 140DIA INTERNAL	8
18	41000.10	WEAR PAD 140 DIA	8
19	05.287.03	SELF-LOCKING NUT M12 PLATED	2
19	05.292.27	BOLT M12 X 140MM PLATED	2
*19	46756.03	BRACKET - HOSE SUPPORT	1
20	46755.01	CLAMP - HOSE RIGID BOTTOM	2
21	46755.02	CLAMP - HOSE RIGID MIDDLE	2
22	46755.03	CLAMP - HOSE RIGID TOP	2
23	05.287.02	SELF-LOCKING NUT M10 PLATED	4
23	05.292.11	BOLT M10 X 80 PLATED	4
*23	46758.01	CLAMP	2
24	46751.03	HOSE 1"BSP RIGID	2
25	46752.09	HOSE 3/8"BSP RIGID	2
26	46715.01	SPANNER – WEAR PAD	1
27	46892.01	GUARD	1
27	05.264.32	SET SCREW M16 X 25	2
27	05.282.04	SPRING WASHER 16MM	2

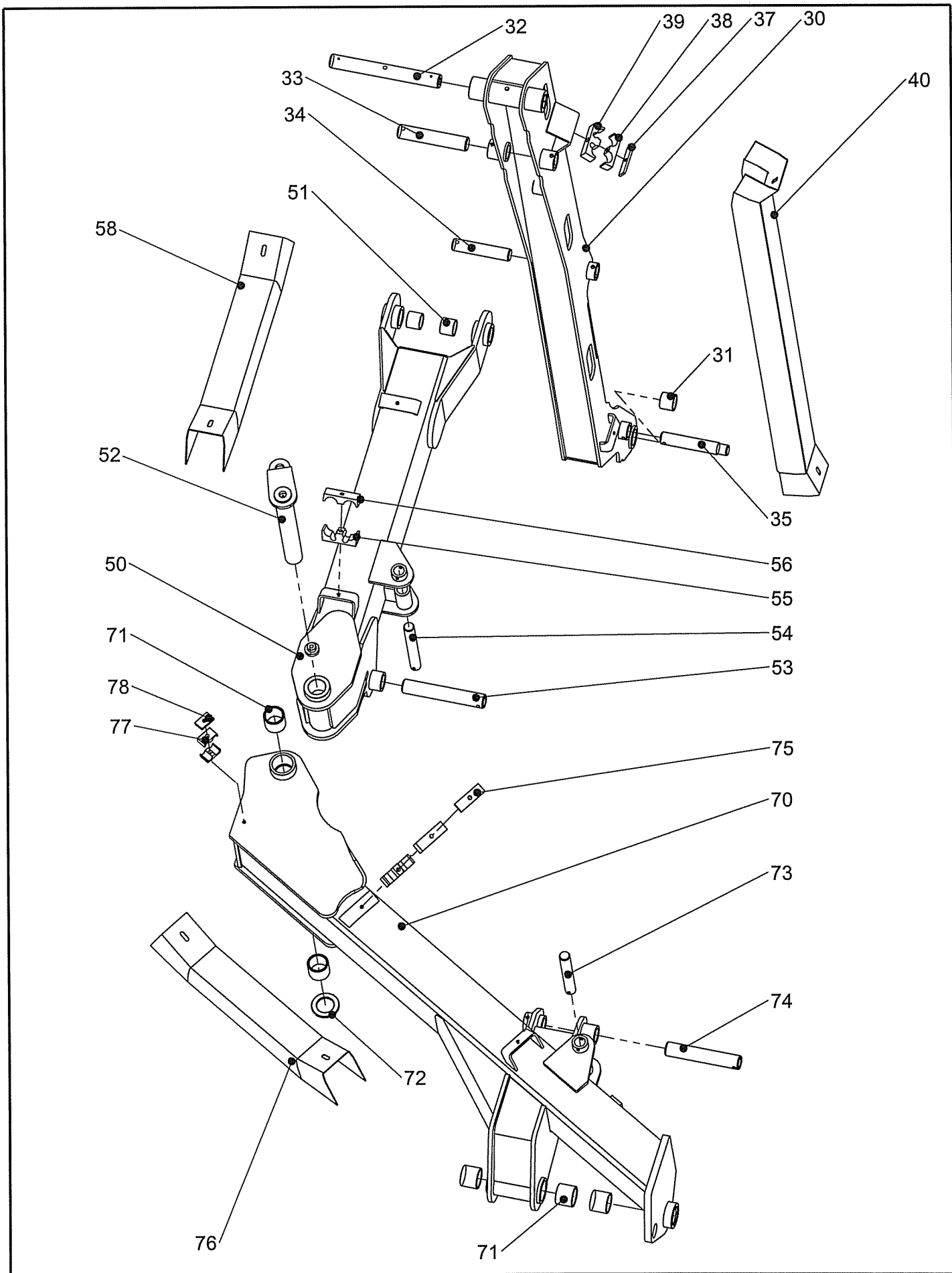
## 77.272.03/04 ARM ASSY INNER LH/RH 80

31	46857.01	ARM - INNER LH TELE 80	1
31	46857.02	ARM - INNER RH TELE 80	1
31	05.953.03	GREASE NIPPLE	1
32	08.297.01	BUSH PLASTIC	3
*33	03.653.79	PIN 25 - 198LG	1
33	05.287.01	SELF-LOCKING NUT M8 PLATED	1
33	05.291.05	BOLT M8 X 50MM PLATED	1
*34	43292.45	PIN - DIA 40 X 365	1
34	05.287.02	SELF-LOCKING NUT M10 PLATED	1
34	05.291.19	BOLT M10 X 70MM PLATED	1

- MAIN PART IN GROUP. RELATED PARTS HAVE SAME REFERENCE NUMBER.



REF	PART NO.	DESCRIPTION	QTY
<b>77.398.01/02 ARM ASSY THIRD LH/RH 7.25M</b>			
30	05.953.04	GREASE NIPPLE M10 90 DEG	1
30	47307.01	ARM - THIRD LH	1
30	471307.02	ARM - THIRD RH	1
31	08.297.02	BUSH - PLASTIC 47 X 40 X 40	2
32	05.287.02	SELF-LOCKING NUT M10 PLATED	1
32	05.292.21	BOLT M12 X 80MM PLATED	1
32	05.953.01	GREASE NIPPLE M6	2
32	43292.02	PIN 40 DIA X 328	1
33	03.656.70	PIN - DIA 40 X 208	1
33	05.287.02	SELF-LOCKING NUT M10 PLATED	1
33	05.291.19	BOLT M10 X 70MM PLATED	1
34	03.655.33	PIN 35 DIA X 172	1
34	05.287.02	SELF-LOCKING NUT M10 PLATED	1
34	05.291.18	BOLT M10 X 65 PLATED	1
35	03.655.66	PIN 35 DIA X 199	1
35	05.287.02	SELF-LOCKING NUT M10 PLATED	1
35	05.291.18	BOLT M10 X 65 PLATED	1
36	04.282.84	STUD M10 X 1.5 - 95 LONG	2
36	05.281.02	FLT WASHER 10MM PLATED FORM C	4
36	05.286.02	NUT M10 PLATED	2
36	9100025	NUT DOMED M10 PLATED	2
37	06.418.05	CLAMP PLATE 95 X 6	2
38	30.217.76	HOSE TWIN CLAMP	2
39	45630.02	HOSE CLAMP-LOWER HP HOSES	2
40	03.231.13	RUBBER EDGING 212MM	1
40	45972.05	GUARD - HOSE 3RD ARM LH	1
40	45972.06	GUARD - HOSE 3RD ARM RH	1
<b>77.373.01/02 ARM ASSY SECOND LH/RH 8.0 10057</b>			
50	47180.01	ARM - SECOND LH	1
50	47180.02	ARM - SECOND RH	1
51	08.297.02	BUSH - PLASTIC 47 X 40 X 40	2
52	03.657.39	PIN 50 DIA X 343	1
52	05.234.01	WASHER 44.5 X 13 X 5MM PLATED	1
52	05.264.22	SETSCREW M12 X 25MM PLATED	1
52	05.282.03	SPRING WASHER 12MM PLATED	1
52	05.953.01	GREASE NIPPLE M6	2
53	03.656.86	PIN DIA 40 - 246 LONG	1
53	05.287.02	SELF-LOCKING NUT M10 PLATED	1
53	05.291.19	BOLT M10 X 70MM PLATED	1
54	03.654.75	PIN 30DIA X 224	1
54	05.287.01	SELF-LOCKING NUT M8 PLATED	1
54	05.291.06	BOLT M8 X 55MM PLATED	1
55	04.282.84	STUD M10 X 1.5 - 95 LONG	2
55	05.281.02	FLT WASHER 10MM PLATED FORM C	4
55	05.286.02	NUT M10 PLATED	2
55	45630.02	HOSE CLAMP-LOWER HP HOSES	2
55	9100025	NUT DOMED M10 PLATED	2
56	30.217.76	HOSE TWIN CLAMP	2
57	06.418.05	CLAMP PLATE 95 X 6	2
58	47186.01	GUARD - SECOND ARM	1
<b>77.374.01/02 BEAM ASSY INTERMEDIATE LH/RH10057</b>			
70	05.953.03	GREASE NIPPLE M10	1
70	47182.01	BEAM - INTERMEDIATE LH	1
70	47182.02	BEAM - INTERMEDIATE RH	1
71	08.297.01	BUSH - PLASTIC 60 X 50 X 50	4
72	09.918.01	THRUST WASHER - PLASTIC	1
73	03.654.96	PIN 30 DIA X 198	1
73	04.282.84	STUD M10 X 1.5 - 95 LONG	2
73	05.281.02	FLT WASHER 10MM PLATED FORM C	4
73	05.286.02	NUT M10 PLATED	2
73	05.287.01	SELF-LOCKING NUT M8 PLATED	1
73	05.291.06	BOLT M8 X 55MM PLATED	1
73	45630.02	HOSE CLAMP-LOWER HP HOSES	2
73	9100025	NUT DOMED M10 PLATED	2
74	03.656.95	PIN 40 DIA - 220 LONG	1
74	05.287.02	SELF-LOCKING NUT M10 PLATED	1
74	05.291.19	BOLT M10 X 70MM PLATED	1
75	30.217.76	HOSE TWIN CLAMP	2
75	06.418.05	CLAMP PLATE 95 X 6	2
76	47186.01	GUARD - SECOND ARM	1
77	04.282.56	STUD M10 X 37MM	1
77	05.282.02	SPRING WASHER 10MM PLATED	2
77	06.430.07	CLAMP HOSE	2
77	9100025	NUT DOMED M10 PLATED	1
78	06.418.06	CLAMP PLATE 48 X 6	1



REF	PART NO.	DESCRIPTION	QTY
<b>77.372.01/02 ARM ASSY THIRD LH/RH 8.0 10057</b>			
30	05.953.04	GREASE NIPPLE M10 90 DEG	1
30	47181.01	ARM - THIRD LH	1
30	47181.02	ARM - THIRD RH	1
31	08.297.02	BUSH - PLASTIC 47 X 40 X 40	2
32	05.287.02	SELF-LOCKING NUT M10 PLATED	1
32	05.292.21	BOLT M12 X 80MM PLATED	1
32	05.953.01	GREASE NIPPLE M6	2
32	43292.02	PIN 40 DIA X 328	1
33	03.656.70	PIN - DIA 40 X 208	1
33	05.287.02	SELF-LOCKING NUT M10 PLATED	1
33	05.291.19	BOLT M10 X 70MM PLATED	1
34	03.655.33	PIN 35 DIA X 172	1
34	05.287.02	SELF-LOCKING NUT M10 PLATED	1
34	05.291.18	BOLT M10 X 65 PLATED	1
35	03.655.66	PIN 35 DIA X 199	1
35	05.287.02	SELF-LOCKING NUT M10 PLATED	1
35	05.291.18	BOLT M10 X 65 PLATED	1
36	04.282.84	STUD M10 X 1.5 - 95 LONG	2
36	05.281.02	FLT WASHER 10MM PLATED FORM C	4
36	05.286.02	NUT M10 PLATED	2
36	9100025	NUT DOMED M10 PLATED	2
37	06.418.05	CLAMP PLATE 95 X 6	2
38	30.217.76	HOSE TWIN CLAMP	2
39	45630.02	HOSE CLAMP-LOWER HP HOSES	2
40	03.231.13	RUBBER EDGING 212MM	1
40	46086.03	GUARD - HOSE 2ND ARM LH	1
40	46086.04	GUARD - HOSE 2ND ARM RH	1
<b>77.373.01/02 ARM ASSY SECOND LH/RH 8.0 10057</b>			
50	47180.01	ARM - SECOND LH	1
50	47180.02	ARM - SECOND RH	1
51	08.297.02	BUSH - PLASTIC 47 X 40 X 40	2
52	03.657.39	PIN 50 DIA X 343	1
52	05.234.01	WASHER 44.5 X 13 X 5MM PLATED	1
52	05.264.22	SETSCREW M12 X 25MM PLATED	1
52	05.282.03	SPRING WASHER 12MM PLATED	1
52	05.953.01	GREASE NIPPLE M6	2
53	03.656.86	PIN DIA 40 - 246 LONG	1
53	05.287.02	SELF-LOCKING NUT M10 PLATED	1
53	05.291.19	BOLT M10 X 70MM PLATED	1
54	03.654.75	PIN 30DIA X 224	1
54	05.287.01	SELF-LOCKING NUT M8 PLATED	1
54	05.291.06	BOLT M8 X 55MM PLATED	1
55	04.282.84	STUD M10 X 1.5 - 95 LONG	2
55	05.281.02	FLT WASHER 10MM PLATED FORM C	4
55	05.286.02	NUT M10 PLATED	2
55	45630.02	HOSE CLAMP-LOWER HP HOSES	2
55	9100025	NUT DOMED M10 PLATED	2
56	30.217.76	HOSE TWIN CLAMP	2
57	06.418.05	CLAMP PLATE 95 X 6	2
58	47186.01	GUARD - SECOND ARM	1
<b>77.374.01/02 BEAM ASSY INTERMEDIATE LH/RH 10057</b>			
70	05.953.03	GREASE NIPPLE M10	1
70	47182.01	BEAM - INTERMEDIATE LH	1
70	47182.02	BEAM - INTERMEDIATE RH	1
71	08.297.01	BUSH - PLASTIC 60 X 50 X 50	4
72	09.918.01	THRUST WASHER - PLASTIC	1
73	03.654.96	PIN 30 DIA X 198	1
73	04.282.84	STUD M10 X 1.5 - 95 LONG	2
73	05.281.02	FLT WASHER 10MM PLATED FORM C	4
73	05.286.02	NUT M10 PLATED	2
73	05.287.01	SELF-LOCKING NUT M8 PLATED	1
73	05.291.06	BOLT M8 X 55MM PLATED	1
73	45630.02	HOSE CLAMP-LOWER HP HOSES	2
73	9100025	NUT DOMED M10 PLATED	2
74	03.656.95	PIN 40 DIA - 220 LONG	1
74	05.287.02	SELF-LOCKING NUT M10 PLATED	1
74	05.291.19	BOLT M10 X 70MM PLATED	1
75	30.217.76	HOSE TWIN CLAMP	2
75	06.418.05	CLAMP PLATE 95 X 6	2
76	47186.01	GUARD - SECOND ARM	1
77	04.282.56	STUD M10 X 37MM	1
77	05.282.02	SPRING WASHER 10MM PLATED	2
77	06.430.07	CLAMP HOSE	2
77	9100025	NUT DOMED M10 PLATED	1
78	06.418.06	CLAMP PLATE 48 X 6	1

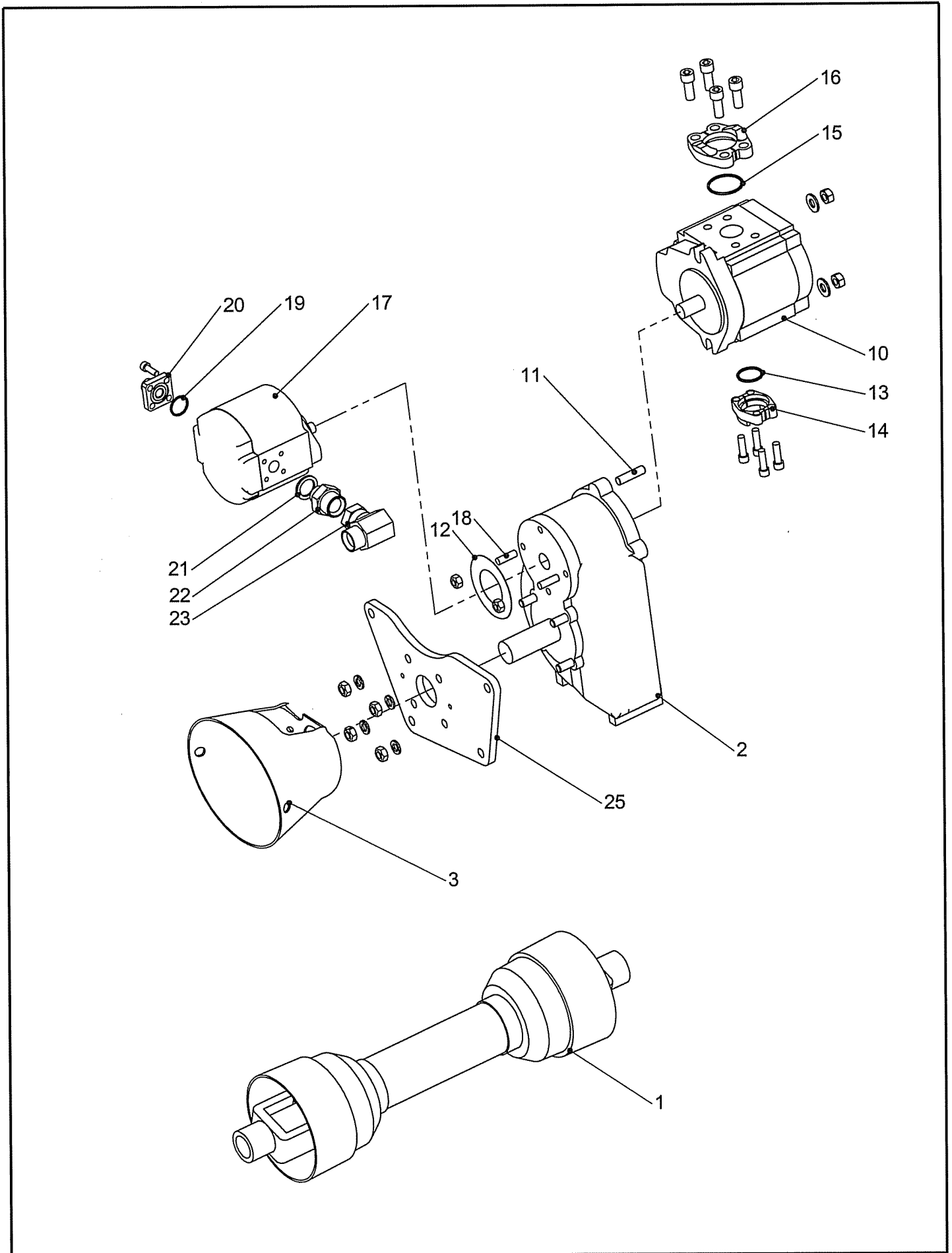
## 77.108.05/06/07/08 HEAD BRKT&amp;LINKAGE ASSY LH/RH GEAR PUMP – LH/RH PISTON PUMP

50	45949.01	BRACKET – HEAD ANGLING LH	1
50	45949.02	BRACKET – HEAD ANGLING RH	1
51	05.264.37	SETSCREW M16 X 50MM PLATED	4
51	05.282.04	SPRING WASHER 16MM PLATED	4
51	05.286.04	NUT M16 PLATED	4
51*	45948.01	CLAMP - HEAD 70X70	2
52	05.953.03	GREASE NIPPLE M10	1
52*	46739.01	LINK	1
53	08.297.05	PLASTIC BUSH - 42 X 35 - 30	2
54*	03.655.67	PIN 35DIA X 148	2
54	05.287.02	SELF-LOCKING NUT M10 PLATED	2
54	05.291.18	BOLT M10 X 65 PLATED	2
55	05.953.01	GREASE NIPPLE M6	1
55	05.953.05	GREASE NIPPLE M6 X 90DEG	1
55*	46741.01	LINK	1
56	45491.01■	PLATE - BULKHEAD - 6MM PLT	1
56	45491.02▲	PLATE - BULKHEAD – 6MM PLT	1
57	08.128.03	ADAPTR 1"BSP BULKHEAD C/W LNUT	2
58*	03.655.27	PIN 35 DIA X 184	1
58	05.287.02	SELF-LOCKING NUT M10 PLATED	1
58	05.291.18	BOLT M10 X 65 PLATED	1
59	00.372.01	LINCH PIN	1
59	05.282.04	SPRING WASHER 16MM PLATED	1
59	05.286.04	NUT M16 PLATED	1
59*	45951.01	PIN - PIVOT 40 DIA	1
60	07.942.03	WASHER - SPECIAL M16	1
61	08.297.18	PLASTIC BUSH 42 X 35 - 40	2
62	04.282.76	STUD - M10 X 70 PLATED	2
62	05.287.02	SELF-LOCKING NUT M10 PLATED	2
62*	45954.01	GUARD - BULKHEAD	1
63	08.128.16▲	ADPT 5/8" BSP BULKHEAD C/C LNUT	1

■ GEAR PUMP MACHINES  
▲ PISTON PUMP MACHINES

\* MAIN PART IN GROUP. RELATED PARTS HAVE SAME REFERENCE NUMBER.

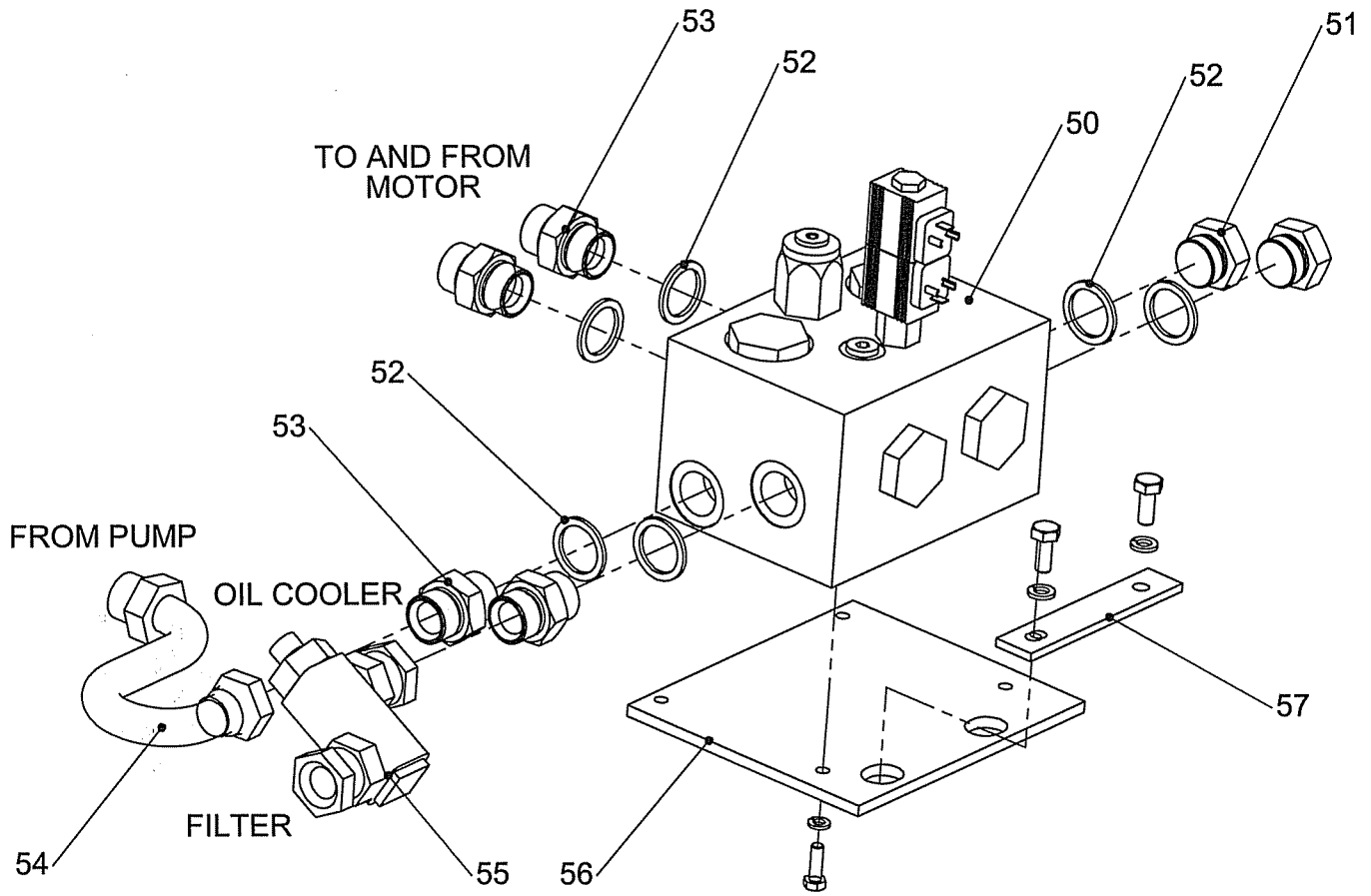




## 77.107.05/06 PTO/GEARBOX/PUMPS GEAR LH/RH 9392

01	04.402.02	P.T.O GUARD ASSY 560MM C/C	0
01	06.154.13	PTO JOURNAL BEARING KIT	0
*01	41624.01	PTO SHAFT ASSY 560 MM C/C	1
01	41624.31	CROSS JOURNAL SET	0
01	41624.32	COMPLETE SHIELD	0
02	04.174.01	STUD M12 X 38MM	4
02	05.968.03	SELF LOCKING NUT M12 (FINE)	4
*02	42693.02	GEARBOX 3:1 CAST IRON	1
02	46749.01	GEARBOX DECAL	1
03	05.281.01	FLAT WASHER 8MM PLATED	2
03	05.282.01	SPRING WASHER 8MM PLATED	2
03	05.839.03	SETSCREW M8 X 16MM PLATED	2
*03	08.548.01	GUARD - PLASTIC PTO CUP	1
10	05.453.01	SEAL KIT (0547901/0953601)	0
*10	09.536.01	GEAR PUMP	1
*11	04.282.74	STUD - M12 X 49	2
11	05.281.03	FLAT WASHER 12MM PLATED	2
11	05.287.03	SELF-LOCKING NUT M12 PLATED	2
12	41421.01	GASKET - PUMP FACE	1
13	8600124	O RING 200-219-4490	1
*14	01.697.03	SPLIT FLANGE (2) 1"SAE 3000PSI	1
14	05.256.13	SETSCREW 3/8"UNC 1.1/4"LGBZP	4
15	8600303	O RING 200-225-4490	1
16	0342104	CAPSCREW 1/2"UNC 1.1/4"LGBZP	4
*16	41.294.01	SPLIT FLANGE (2) 1.1/2"SAE3000PSI	1
17	09.537.04	SEAL KIT PX PUMPS	0
*17	46337.01	GEAR PUMP - CAST IRON	1
*18	03.100.01	STUD M10 X 34MM	2
18	05.287.02	SELF-LOCKING NUT M10 PLATED	2
19	30.210.92	O RING 200-121-4490	1
20	05.657.01	SCKT CAPSCRW 5/16"UNCX7/8" PLT	4
*20	46226.01	ADAPTOR FLANGE 1/2"BSP PLATED	1
21	05.290.06	BONDED SEAL 3/4"BSP	1
22	05.373.01	ADAPTOR 3/4"BSP X 1"BSP	1
23	05.835.02	ADAPTOR-SWIVEL 90 1"BSP M/F	1
25	04.282.49	STUD - M16 X 45	4
25	05.281.04	FLAT WASHER 16MM PLATED	4
25	05.282.04	SPRING WASHER 16MM PLATED	4
25	05.286.04	NUT M16 PLATED	4
*25	46707.01	PLATE - GEARBOX MTG LH	1
25	46707.04	PLATE - GEARBOX MTG RH	1

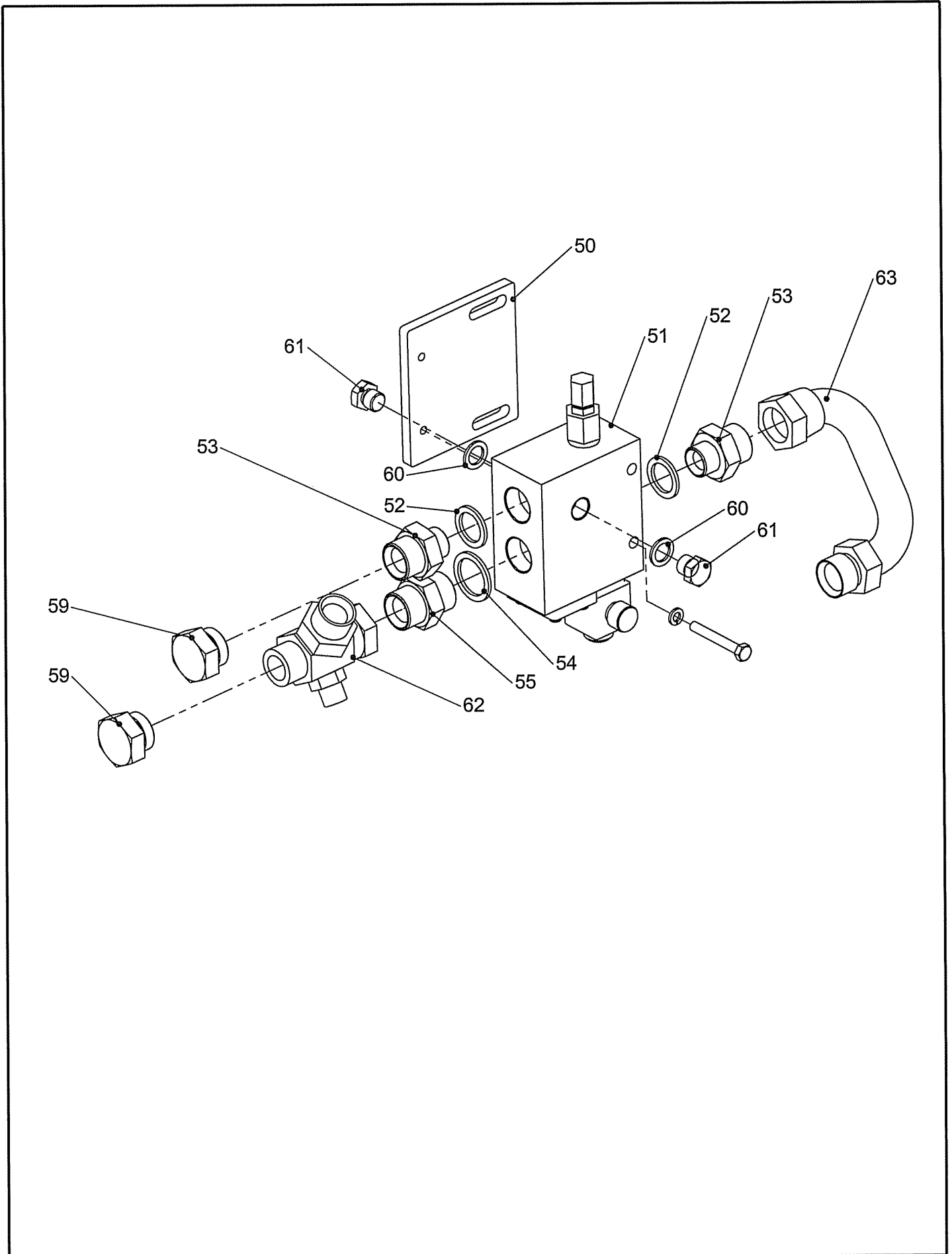
\* MAIN PART IN GROUP. RELATED PARTS HAVE SAME REFERENCE NUMBER.



## 77.126.17 PUMP CIRCUIT ELECTRIC DSR 9392

50	05.264.02	SETSCREW M8 X 25MM PLATED	4
50	05.282.01	SPRING WASHER 8MM PLATED	4
50*	42768.01	VALVE, MOTOR REVERSE ELECT	1
51	05.433.03	PLUG 1"BSP PLATED	2
52	05.290.07	BONDED SEAL 1"BSP	6
53	05.434.01	ADAPTOR 1"BSP X 1"BSP	4
54	46127.03	PIPE - HYDRAULIC 1"BSP	1
55	46820.01	PIPE - HYDRAULIC DSR	1
56	46819.01	PLATE – MOUNTING, ELECT DSR	1
57	05.264.12	SETSCREW M10 X 25MM PLATED	2
57	05.282.02	SPRING WASHER 10MM PLATED	2
57*	46818.01	CLAMP - DSR PLATE	1

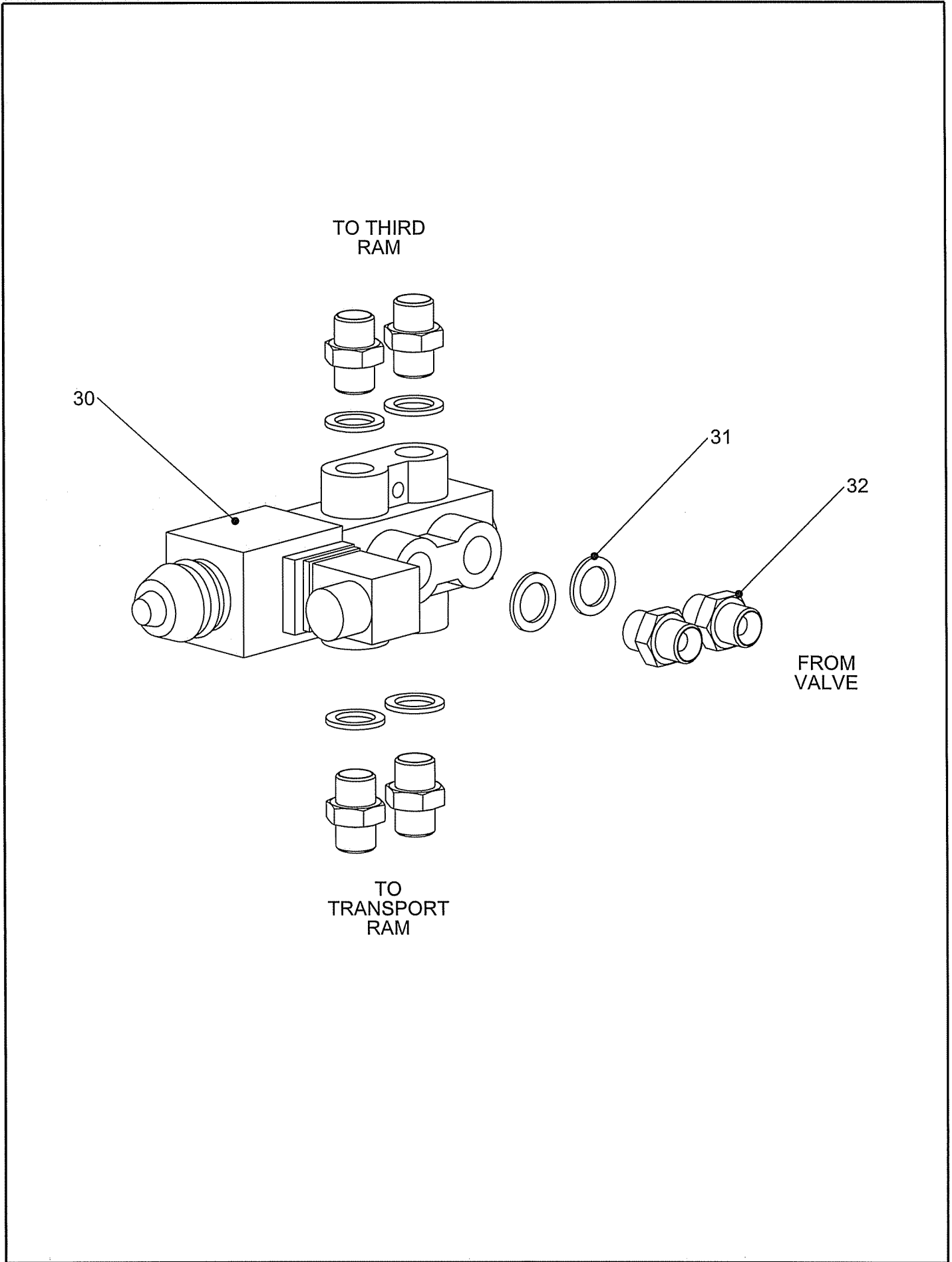
\* MAIN PART IN GROUP. RELATED PARTS HAVE SAME REFERENCE NUMBER.



## 77.126.07/08 PUMP CIRCUIT ELECTRIC DIVERTER LH/RH 9392

50	05.282.01	SPRING WASHER 8MM PLATED	2
50	05.291.07	BOLT M8 X 60MM PLATED	2
*50	46058.02	PLATE - VALVE MOUNTING	1
51	08.943.01	RELIEF VALVE/DIVERTER-ELECTRIC	1
52	05.290.06	BONDED SEAL 3/4"BSP	2
53	05.373.01	ADAPTOR 3/4"BSP X 1"BSP	2
54	05.290.07	BONDED SEAL 1"BSP	1
55	05.434.01	ADAPTOR 1"BSP X 1"BSP	1
59	05.433.03	PLUG 1"BSP PLATED	2
60	05.290.04	BONDED SEAL 3/8"BSP	2
61	05.433.01	PLUG 3/8"BSP PLATED	2
62	04.056.46	ADAPTOR-SPECIAL M/M/M/F LH	1
62	04.056.47	ADAPTOR-SPECIAL M/M/M/F RH	1
63	46127.02	PIPE - HYDRAULIC 1"BSP	1

\* MAIN PART IN GROUP. RELATED PARTS HAVE SAME REFERENCE NUMBER.

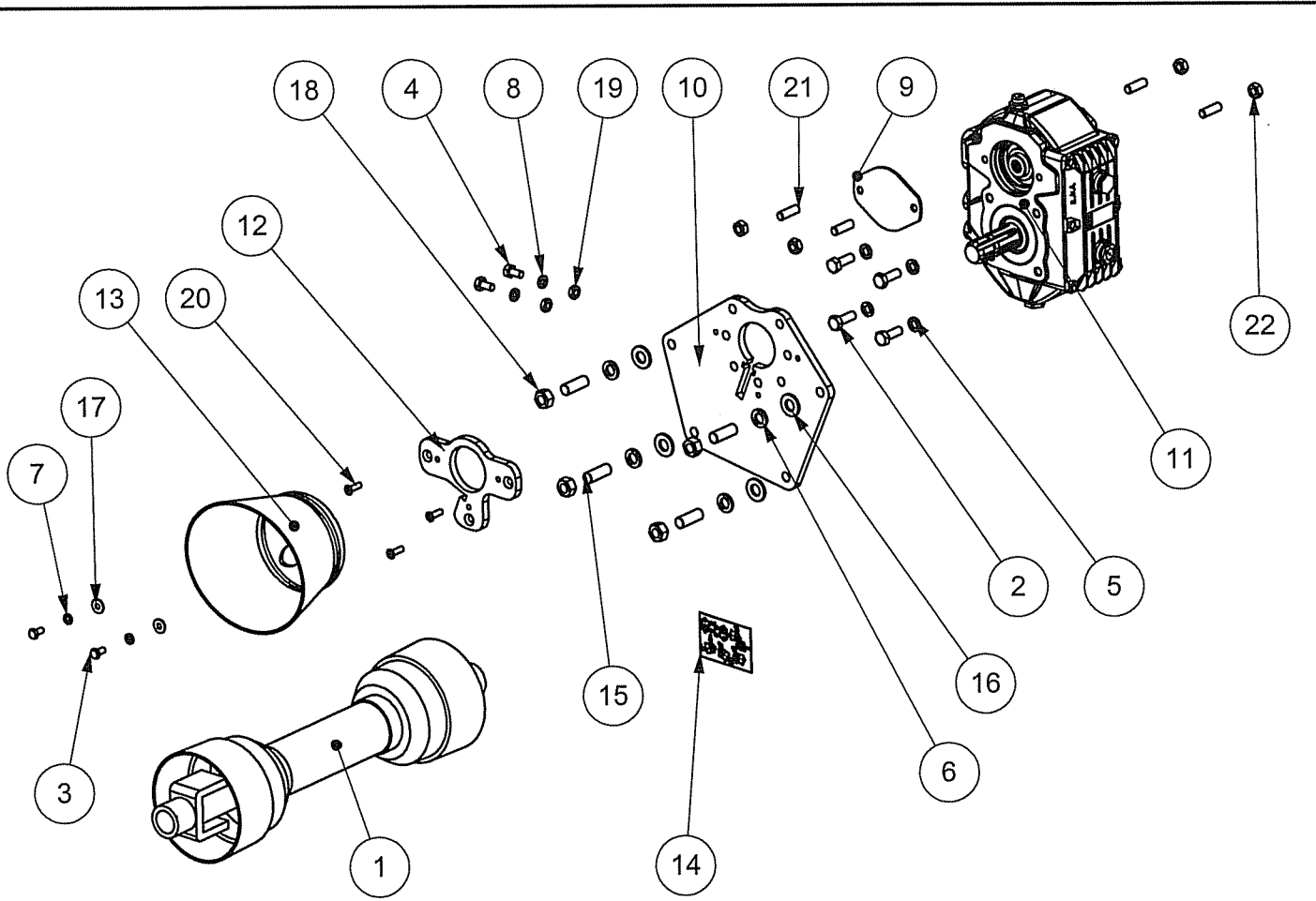


## 76.198.06 HYDRAULIC CIRCUIT - DIVERter

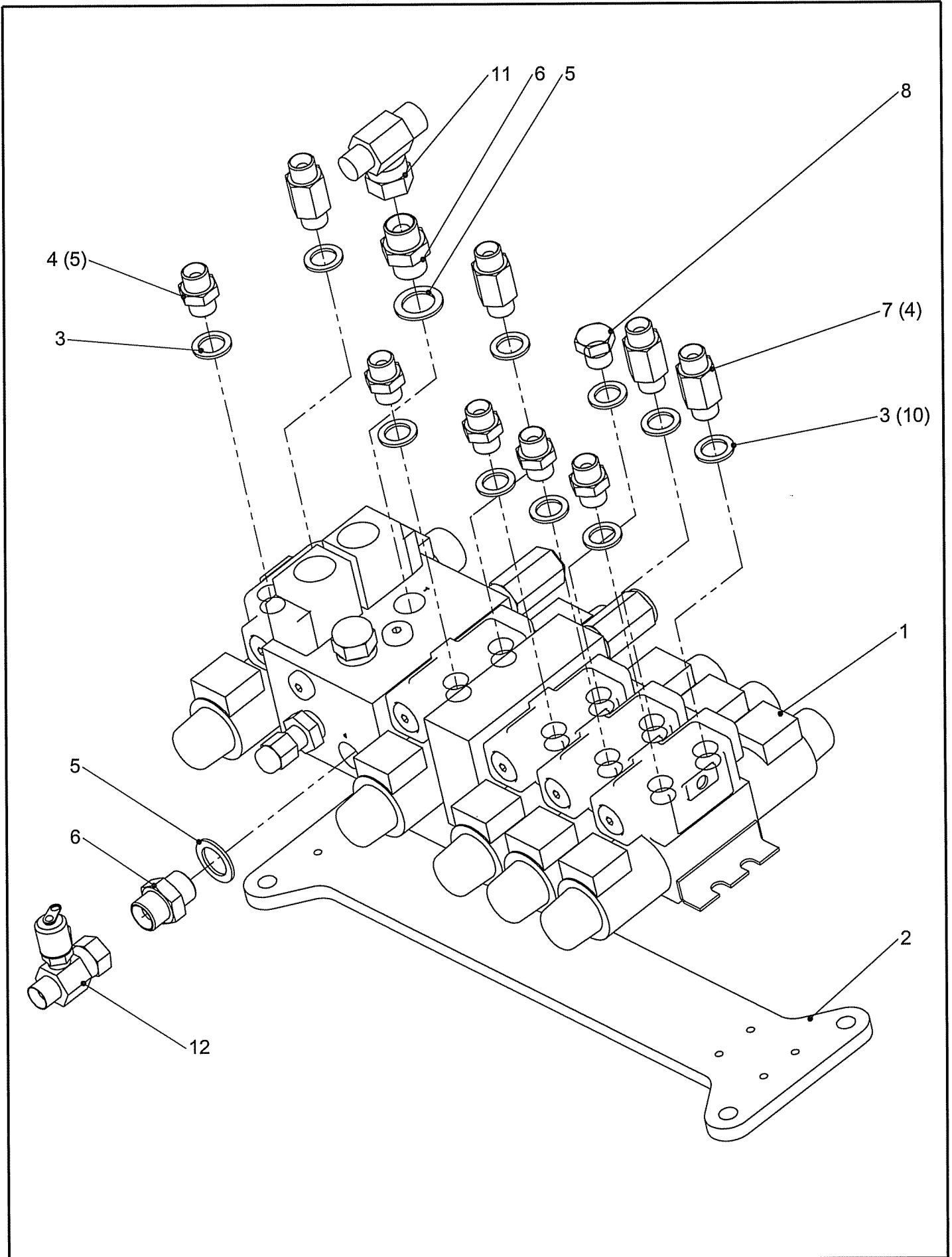
30	41605.01	DIVERter VALVE 6 PORT	1
30	05.281.10	FLAT WASHER 6MM	2
30	05.282.07	SPRING WASHER 6MM	2
30	30.068.87	BOLT M6 X 40MM	2
31	05.290.04	BONDED SEAL 3/8" BSP	6
32	05.124.01	ADAPTOR 3/8" BSP X 3/8" BSP	6
33	41706.01	CABLE ASSEMBLY <i>N/I</i>	1
33	07.835.02	GASKET FOR CONNECTOR	1
33	07.835.03	SCREW FOR CONNECTOR	1

*N/I* – NOT ILLUSTRATED





ITEM NO.	PART NUMBER	DESCRIPTION	QTY.
1	43296.06	PTO SHAFT V60	1
2	05.264.24	SETSCREW M12x35	4
3	05.839.03	SETSCREW M8X16	2
4	05.264.11	SETSCREW M10x20	2
5	05.282.03	SPRING WASHER M12	4
6	05.282.04	SPRING WASHER M16	4
7	05.282.01	SPRING WASHER M8	2
8	05.282.02	SPRING WASHER M10	2
9	04.182.01	PLATE 3	1
10	46707.37	PLATE	1
11	47487.01	BIMA REG GBOX	1
12	46707.36	PLATE	1
13	08.548.01	GUARD - PLASTIC PTO	1
14	46749.02	BIMA GBOX DECAL	1
15	04.282.49	STUD M16 X 45	4
16	05.281.04	FLAT WASHER M16	4
17	05.281.01	FLAT WASHER M8	2
18	05.286.04	NUT M16	4
19	9133005	NUT M10	2
20	05.345.13	SOCKET CSK SCREW M8X25	3
21	04.174.01	M12 x 38 STUD	4
22	05.968.03	SELF-LOCKING NUT M12	4

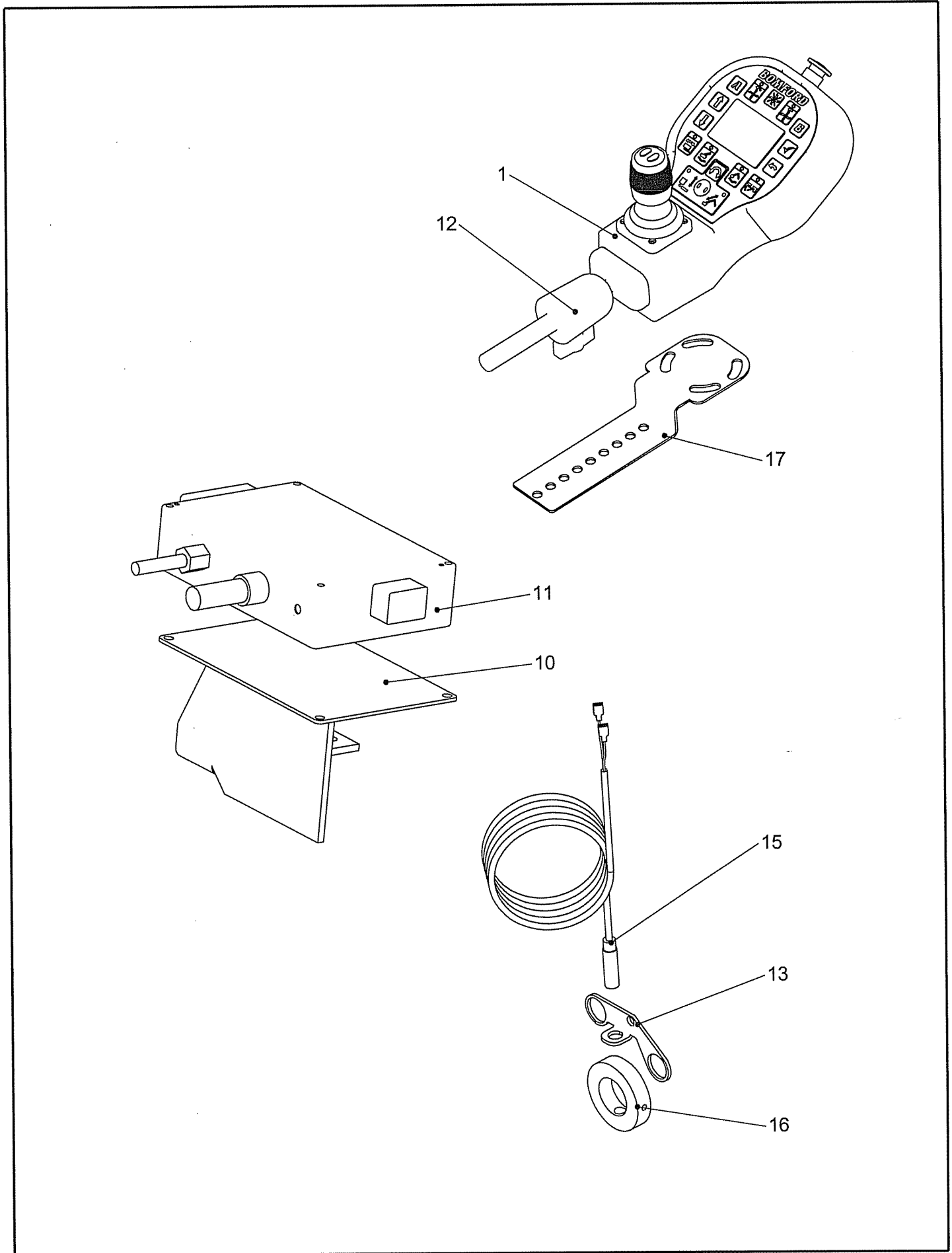


## 77.261.02 CONTROL VALVE ASSY DMV 9392

▶01	46622.02	VALVE ASSY	1
◀01	46622.07	VALVE ASSY	1
02	05.281.10	FLAT WASHER 6MM PLATED	4
02	05.282.07	SPRING WASHER 6MM PLATED	4
02	05.839.05	SETSCREW M6 X 16MM PLATED	4
02	46625.01	PLATE - VALVE MOUNTING	1
03	05.290.04	BONDED SEAL 3/8"BSP	10
04	05.124.01	ADAPTOR 3/8" BSP X 3/8" BSP	8
05	05.290.05	BONDED SEAL 1/2"BSP	2
06	05.122.01	ADAPTOR 1/2" BSP X 1/2" BSP	2
07	05.819.01	ADAPTOR 3/8"BSP X 3/8"BSP (EXT)	5
08	05.433.01	PLUG 3/8"BSP	1
11	04.056.50	ADAPTOR - TEE 1/2M-3/8M-1/2F	1
12	8131009	M F TEST UNION 1/2" BSP	1

▶ Up to Serial No. 2367S/05

◀ From Serial No. 2368S/05

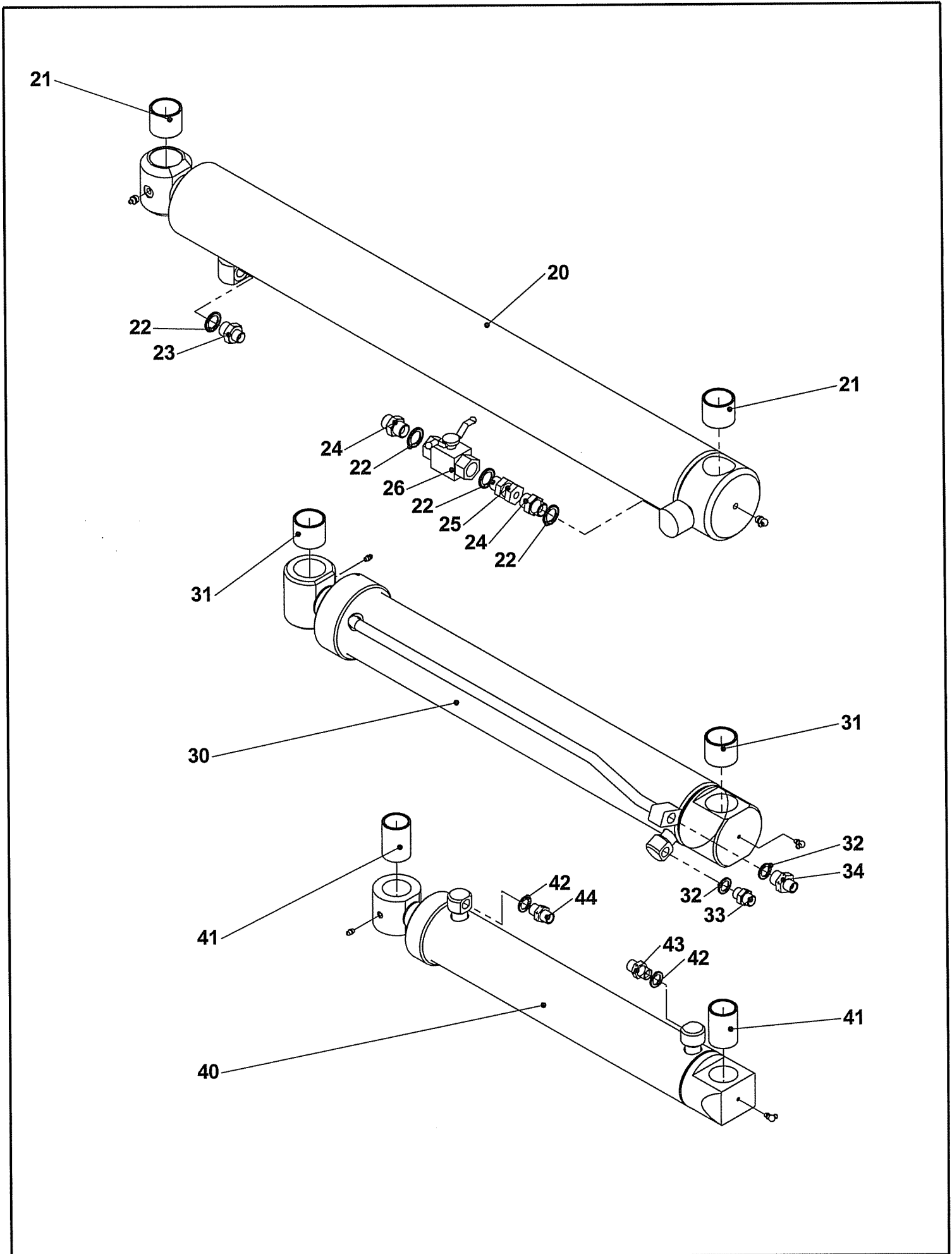


**77.285.02/03 RCA ECU ASSY ICS EXPERT LH/RH**

01	46728.01	ICS CONTROL BOX	1
03	46796.01	12V POWER LOOM 30AMP (NOT DRAWN)	1
04	46797.01	VALVE SOLENOID WIRING LOOM (NOT DRAWN)	1
05	46799.01	SENSORS WIRING LOOM (NOT DRAWN)	1
06	43034.03	BLADE FUSE 30AMP (NOT DRAWN)	0
07	07.835.02	GASKET FOR HIRSCHMAN CONNECTOR (NOT DRAWN)	13
08	07.835.03	SCREW FOR HIRSCHMANN CONNECTOR	13
09	03.100.01	STUD M10 X 34MM (NOT DRAWN)	2
09	05.282.02	SPRING WASHER 10MM PLATED (NOT DRAWN)	2
09	05.286.02	NUT M10 PLATED (NOT DRAWN)	2
10	46847.01	ICS ECU BRACKET LH	1
10	46847.02	ICS ECU BRACKET RH	1
11	46795.02	ICS ECU BOX EXPERT (SENSORS)	1
12	46679.01	CLAMP FOR ARMREST	1
13	46778.31	PLATE 3MM SENSOR BRACKET	1
14	46817.01	CAN LOOM (NOT DRAWN)	1
15	8402251	PTO SENSOR SWITCH INC LOOM	1
16	8402252	MAGNETIC RING	1
17	46873.01	MOUNTING PLATE	1
17	05.281.10	FLAT WASHER 6MM	4

**77.285.04 RCA ECU ASSY ICS EXPERT RH**

01	46728.01	ICS CONTROL BOX	1
03	46796.01	12V POWER LOOM 30AMP (NOT DRAWN)	1
04	46797.01	VALVE SOLENOID WIRING LOOM (NOT DRAWN)	1
05	46799.01	SENSORS WIRING LOOM (NOT DRAWN)	1
06	43034.03	BLADE FUSE 30AMP (NOT DRAWN)	0
07	07.835.02	GASKET FOR HIRSCHMAN CONNECTOR (NOT DRAWN)	13
08	07.835.03	SCREW FOR HIRSCHMANN CONNECTOR	13
09	03.100.01	STUD M10 X 34MM (NOT DRAWN)	2
09	05.282.02	SPRING WASHER 10MM PLATED (NOT DRAWN)	2
09	05.286.02	NUT M10 PLATED (NOT DRAWN)	2
10	46847.02	ICS ECU BRACKET RH	1
11	46795.02	ICS ECU BOX EXPERT (SENSORS)	1
12	46679.01	CLAMP FOR ARMREST	1
13	46778.31	PLATE 3MM SENSOR BRACKET	1
14	46817.01	CAN LOOM (NOT DRAWN)	1
15	47115.01	PTO SENSOR SWITCH INC LOOM	1
16	8402252	MAGNETIC RING	1
17	46873.01	MOUNTING PLATE	1
17	05.281.10	FLAT WASHER 6MM	4



**76.505.04 RAM CIRCUIT - FIRST 6.5 & 7.25 MACHINES**

*20	42595.02	RAM D/A 100 BORE X 900 STROKE	1
20	42595.10	SEAL KIT FOR RAMS 42595.XX	0
21	08.297.02	BUSH - PLASTIC 47 X 40 X 40	4
22	05.290.05	BONDED SEAL 1/2"BSP	4
23	05.123.01	ADAPTOR 1/2" BSP X 3/8" BSP	1
24	05.122.01	ADAPTOR 1/2" BSP X 1/2" BSP	2
25	02.714.04	ADAPTOR - 1/2"BSP M-F SWIV. ST	1
26	08.200.03	VALVE - ISOLATING 1/2"BSP	1

**76.505.06 RAM CIRCUIT - FIRST 8.0 MACHINES**

*20	46788.03	RAM D/A 115 BORE X 900 STROKE	1
20	46788.26	SEAL KIT FOR RAMS	0
21	08.297.02	BUSH - PLASTIC 47 X 40 X 40	4
22	05.290.05	BONDED SEAL 1/2"BSP	4
23	05.123.01	ADAPTOR 1/2" BSP X 3/8" BSP	1
24	05.122.01	ADAPTOR 1/2" BSP X 1/2" BSP	2
25	02.714.04	ADAPTOR - 1/2"BSP M-F SWIV. ST	1
26	08.200.03	VALVE - ISOLATING 1/2"BSP	1

**77.269.01 RAM ASSY - SECOND 6.5 & 7.25 MACHINES - THIRD 8.0 - 3 ARM MACHINES**

30	05.953.01	GREASE NIPPLE M6	1
30	05.953.05	GREASE NIPPLE M6 X 90DEG	1
*30	46674.01	RAM ASSY D/A 90 BORE X 605 STK	1
31	08.297.02	BUSH - PLASTIC 47 X 40 X 40	4
32	05.290.04	BONDED SEAL 3/8"BSP	2
33	05.124.01	ADAPTOR 3/8" BSP X 3/8" BSP	1
34	46518.35	RESTRICTOR 3/8"X3/8"BSP 1.00	1

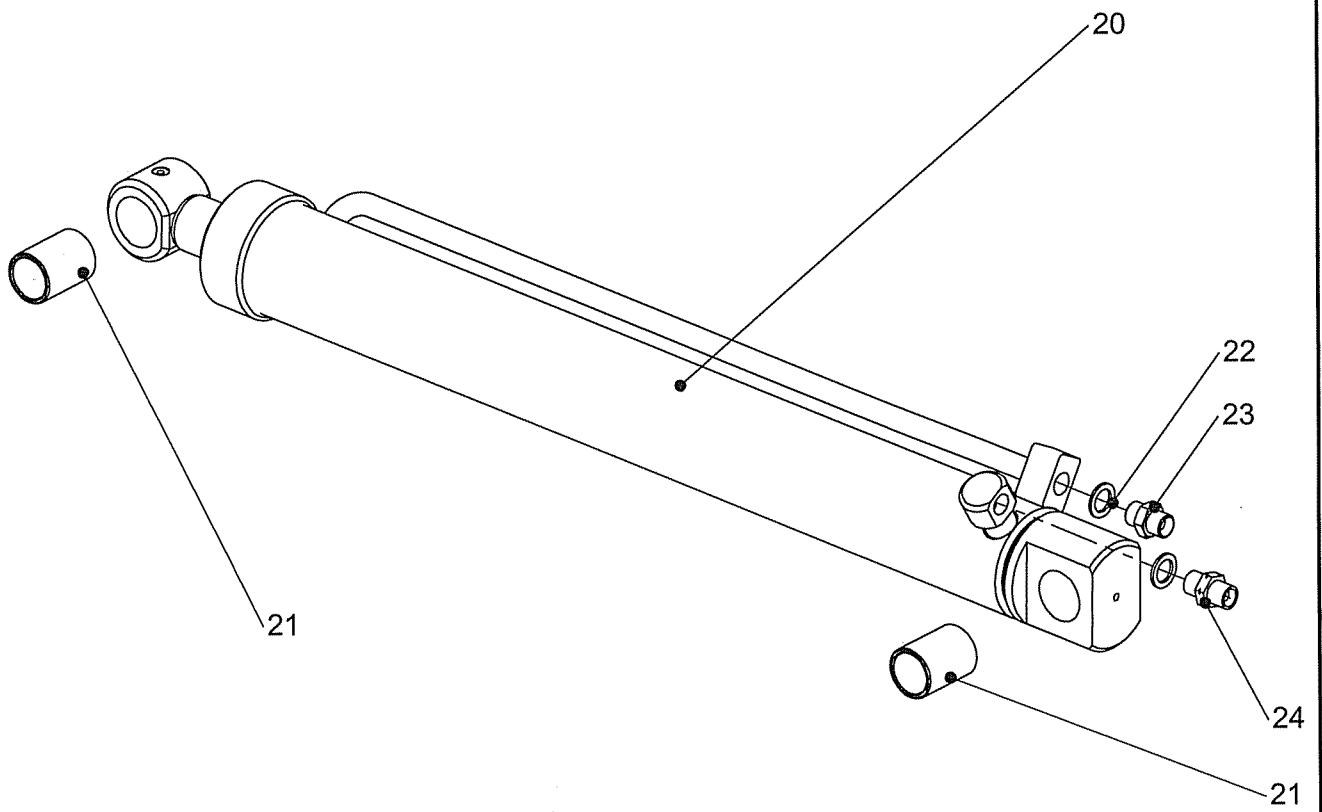
**77.269.03 RAM ASSY - SECOND 8.0 MACHINES**

30	05.953.01	GREASE NIPPLE M6	1
30	05.953.05	GREASE NIPPLE M6 X 90DEG	1
*30	46788.02	RAM ASSY D/A 115 BORE X 900 STK	1
30	46788.26	SEAL KIT FOR RAMS	0
31	08.297.02	BUSH - PLASTIC 47 X 40 X 40	4
32	05.290.04	BONDED SEAL 3/8"BSP	2
33	05.124.01	ADAPTOR 3/8" BSP X 3/8" BSP	1
34	46518.36	RESTRICTOR 1/2"X3/8"BSP 1.00	1

**77.113.03 RAM ASSY - HEAD ANGLING 9235**

40	05.953.01	GREASE NIPPLE M6	1
40	05.953.05	GREASE NIPPLE M6 X 90DEG	1
*40	46002.05	RAM ASSY D/A 80 BORE X 430 STK	1
41	08.297.08	PLASTIC BUSH - 42 X 35 - 60	2
42	05.290.04	BONDED SEAL 3/8"BSP	2
43	46518.01	RESTRICTOR 3/8"X3/8"BSP 1.27	1
44	46518.15	RESTRICTOR 3/8"X3/8"BSP 1.70	1

\* MAIN PART IN GROUP. RELATED PARTS HAVE SAME REFERENCE NUMBER.

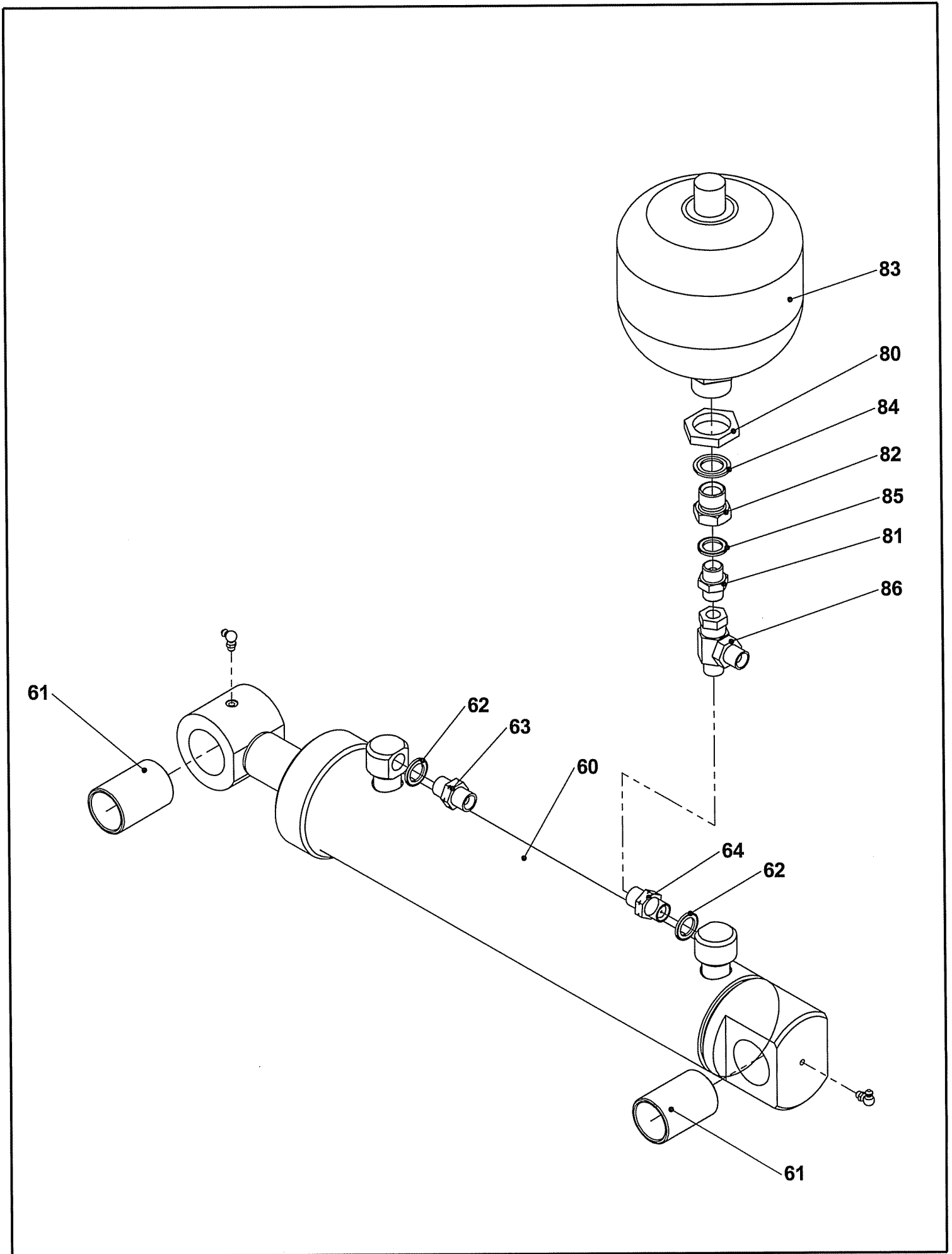




## 77.114.09 RAM ASSY - TRANSPORT - 3 ARM MACHINES

20	05.953.01	GREASE NIPPLE M6	1
20	05.953.05	GREASE NIPPLE M6 X 90DEG	1
*20	46177.02	RAM ASSY D/A 70 BORE X 605 STK	1
21	08.297.14	BUSH - PLASTIC 37 X 30 X 50	2
22	05.290.04	BONDED SEAL 3/8"BSP	2
23	05.124.01	ADAPTOR 3/8" BSP X 3/8" BSP	1
24	46518.15	RESTRICTOR 3/8"X3/8"BSP 1.70	1

\* MAIN PART IN GROUP. RELATED PARTS HAVE SAME REFERENCE NUMBER.

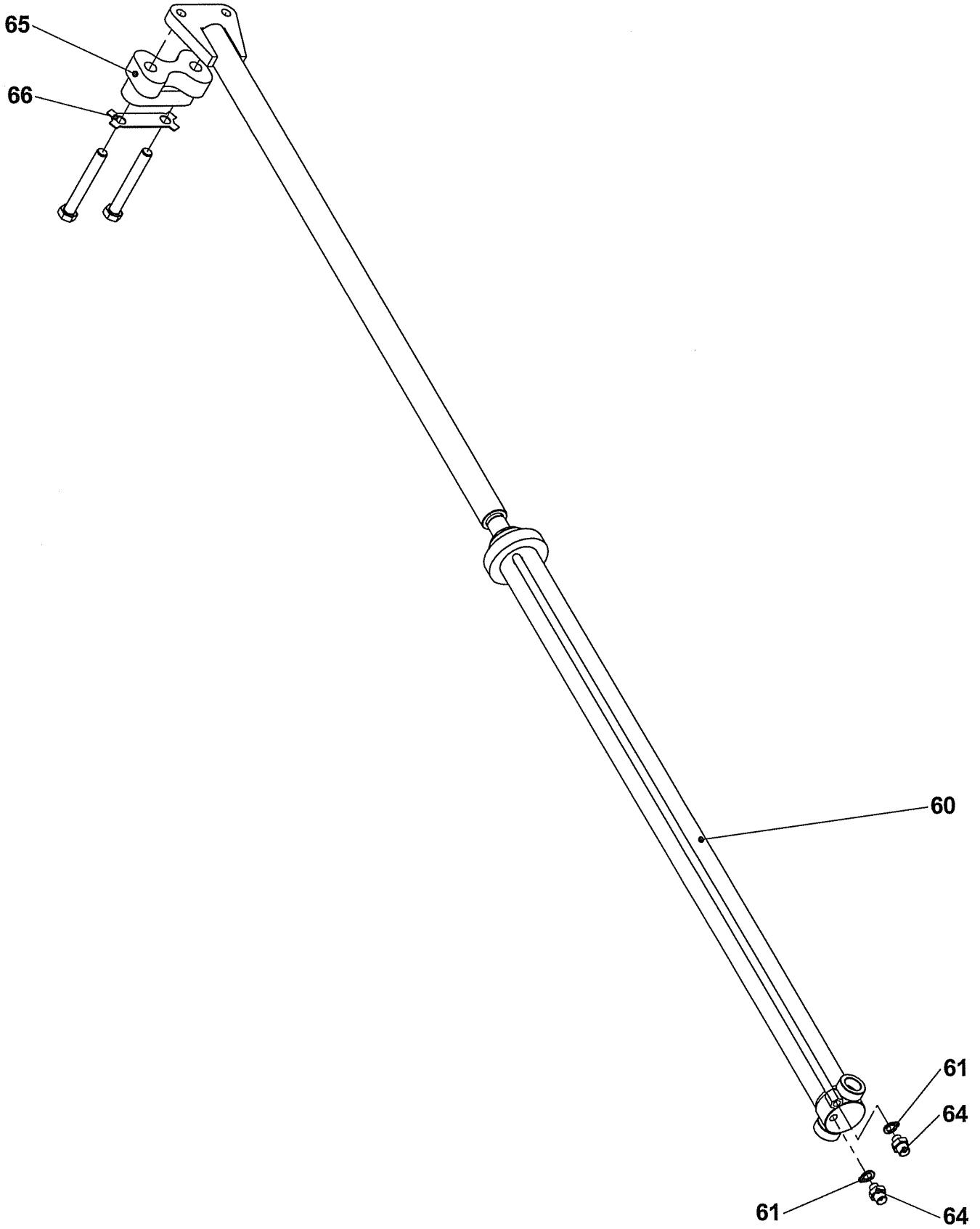


**77.270.01 RAM ASSY - SLEW 9392**

60	05.953.05	GREASE NIPPLE M6 X 90DEG	2
60	46673.01	RAM ASSY D/A 80 BORE X 340 STK	1
61	08.297.08	PLASTIC BUSH - 42 X 35 - 60	2
62	05.290.04	BONDED SEAL 3/8"BSP	2
63	46518.01	RESTRICTOR 3/8"X3/8"BSP 1.27	1
64	46518.15	RESTRICTOR 3/8"X3/8"BSP 1.70	1

**77.117.03 ACCUMULATOR - SLEW ASSY 9392**

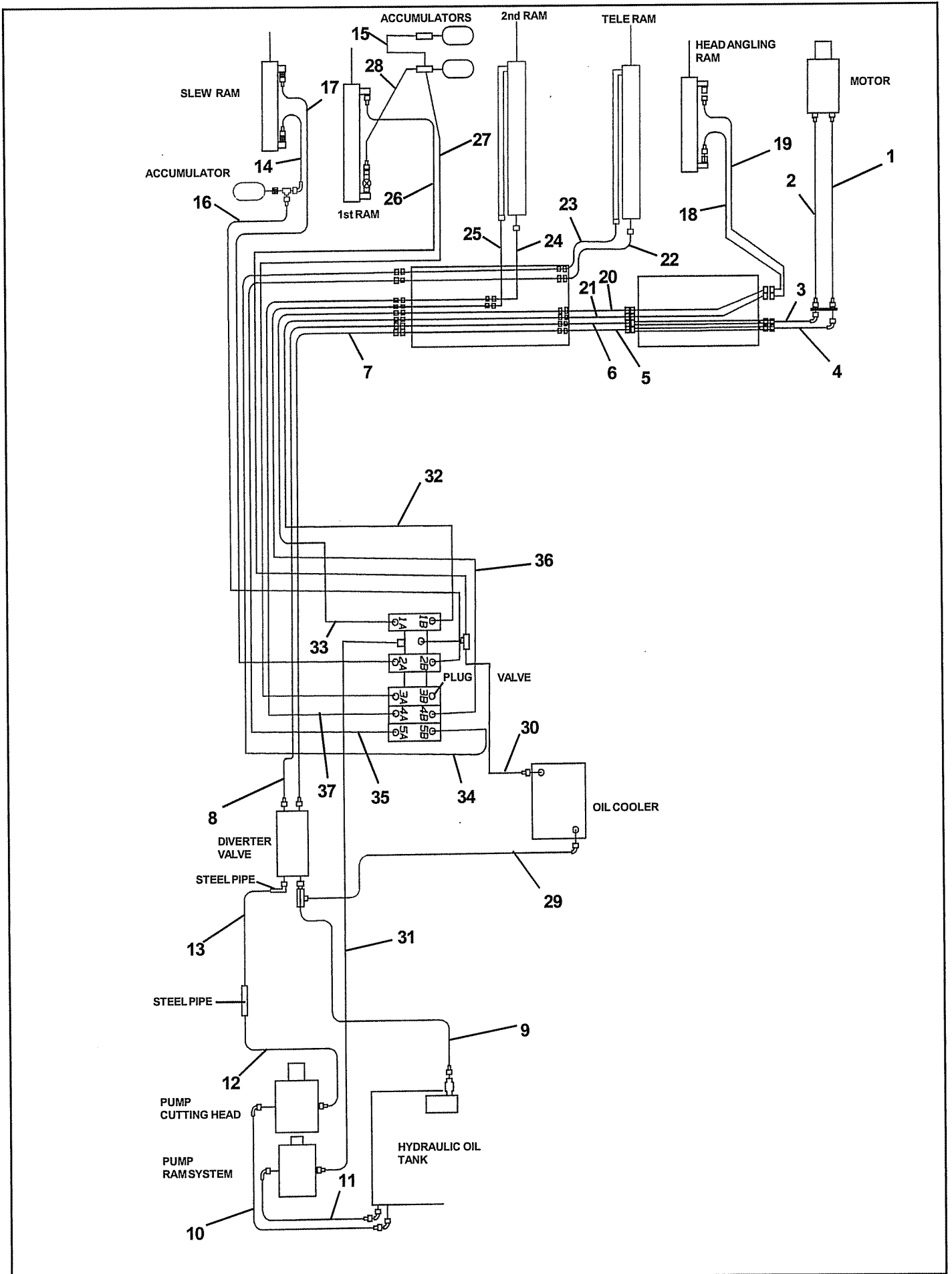
80	8126035	M33 BULKHEAD NUT 'THIN'	1
81	05.124.01	ADAPTOR 3/8" BSP X 3/8" BSP	1
82	8581284	ADAPTOR M22 X 3/8"BSP MF	1
84	8650322	BONDED SEAL M22	1
83	8126043	ACCUMULATOR 1.4LT - 90 BAR	1
85	05.290.04	BONDED SEAL 3/8"BSP	1
86	11.068.69	ADAPTOR-TEE 3/8F-3/8M+3/8M	1



## 77.068.04/05/06 RAM ASSY - TELESCOPIC 6.5 - 7.25 &amp; 8.0 MACHINES

60	09.987.05■	RAM ASSY-50 BORE X 900 STK D/A	1
60	09.987.06▲	RAM ASSY – 50 BORE X 1300 STK D/A	1
60	09.987.11●	RAM ASSY – 50 BORE X 1450 STK D/A	1
60	8699188	SEAL KIT FOR 09987 RAMS	0
61	05.290.02	BONDED SEAL 1/4"BSP	2
64	01.099.01	ADAPTOR 3/8BSP X1/4BSP	2
65	05.839.38	BOLT M16 X 120 (10.9 GRADE)	2
65	41823.01	SPACER - RAM MOUNTING	1
65	41823.02●	SPACER – RAM MOUNTING	1
66	46697.32	PLATE - TAB WASHER	1

- 6.5 METRE MACHINES
- ▲ 7.25 METRE MACHINES
- 8.0 METRE MACHINES



## HOSE KITS FOR

90.065.01 &amp; 02 – 6.5 MACHINES

90.073.01 &amp; 02 – 7.25 MACHINES

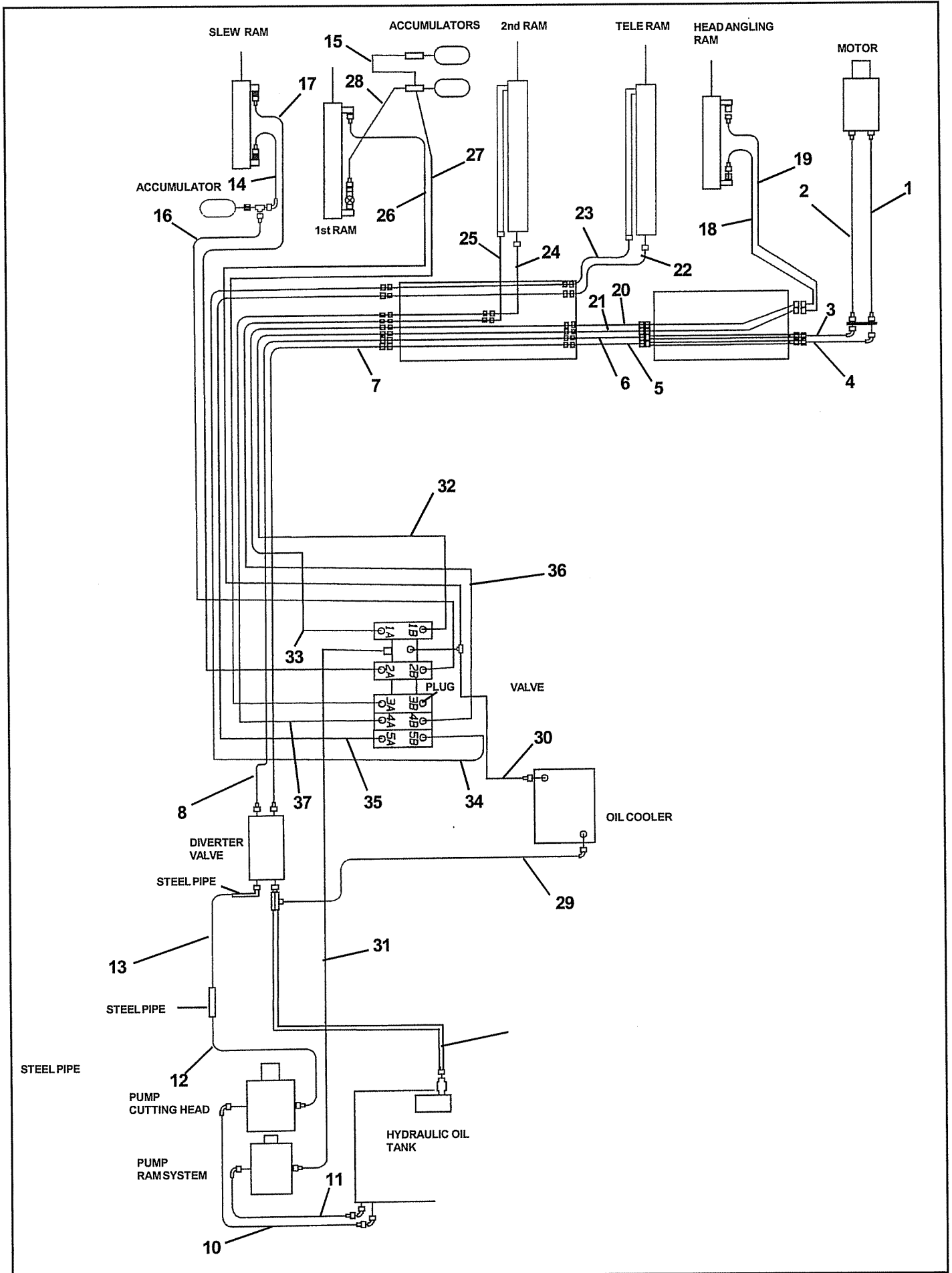
01▲	10.011.26	HOSE 1" BSP ST X ST 1600	1
01▼	10.011.22	HOSE 1" BSP ST X ST 1200	1
02▲	10.011.26	HOSE 1" BSP ST X ST 1600	1
02▼	10.011.22	HOSE 1" BSP ST X ST 1200	1
03	10.025.16	HOSE 1" BSP ST X 135 800	1
04	10.025.18	HOSE 1" BSP ST X 135 900	1
05▶	10.011.28	HOSE 1" BSP ST X ST 1800	1
05◀	10.011.32	HOSE 1" BSP ST X ST 2200	1
06▶	10.011.28	HOSE 1" BSP ST X ST 1800	1
06◀	10.011.32	HOSE 1" BSP ST X ST 2200	1
07	10.011.29	HOSE 1" BSP ST X ST 1900	1
08	10.011.29	HOSE 1" BSP ST X ST 1900	1
09	10.012.11	HOSE 1" BSP ST X 90 550	1
10	10.024.04	HOSE 1.1/2" BSP F/S X 90 FLANGE 600	1
11	10.012.17	HOSE 1" BSP ST X 90 850	1
12	10.022.38	HOSE 1" BSP ST X 90 FLANGE 650	1
13	10.011.10	HOSE 1" BSP ST X ST 500	1
14	10.004.08	HOSE 3/8" BSP ST X 90 400	1
15	10.004.08	HOSE 3/8" BSP ST X 90 400	1
16	10.004.24	HOSE 3/8" BSP ST X 90 1400	1
17	10.004.26	HOSE 3/8" BSP ST X 90 1600	1
18	10.003.20	HOSE 3/8" BSP ST X 90 1000	1
19	10.003.20	HOSE 3/8" BSP ST X 90 1000	1
20	10.003.29	HOSE 3/8" BSP ST X ST 1900	1
21	10.003.29	HOSE 3/8" BSP ST X ST 1900	1
22	10.018.04	HOSE 3/8" BSP ST X 45 750	1
23	10.018.04	HOSE 3/8" BSP ST X 45 750	1
24	10.003.07	HOSE 3/8" BSP ST X ST 350	1
25	10.003.07	HOSE 3/8" BSP ST X ST 350	1
26	10.004.36	HOSE 3/8" BSP ST X 90 2600	1
27	10.004.25	HOSE 3/8" BSP ST X 90 1500	1
28	10.006.21	HOSE 1/2" BSP ST X 90 1100	1
29	10.006.20	HOSE 1/2" BSP ST X 90 1000	1
30	10.006.20	HOSE 1/2" BSP ST X 90 1000	1
31▲	10.006.24	HOSE 1/2" BSP ST X 90 1400	1
31▼	10.006.29	HOSE 1/2" BSP ST X 90 1900	1
32	10.004.32	HOSE 3/8" BSP ST X 90 2200	1
33	10.004.32	HOSE 3/8" BSP ST X 90 2200	1
34	10.004.35	HOSE 3/8" BSP ST X 90 2500	1
35	10.004.35	HOSE 3/8" BSP ST X 90 2500	1
36	10.004.35	HOSE 3/8" BSP ST X 90 2500	1
37	10.004.35	HOSE 3/8" BSP ST X 90 2500	1

▲ LH MACHINES

▼ RH MACHINES

▶ 6.5 METRE MACHINES

◀ 7.25 METRE MACHINES





## HOSE KITS FOR

90.065.03 &amp; 04 – 6.5 MACHINES

90.073.03 &amp; 04 – 7.25 MACHINES

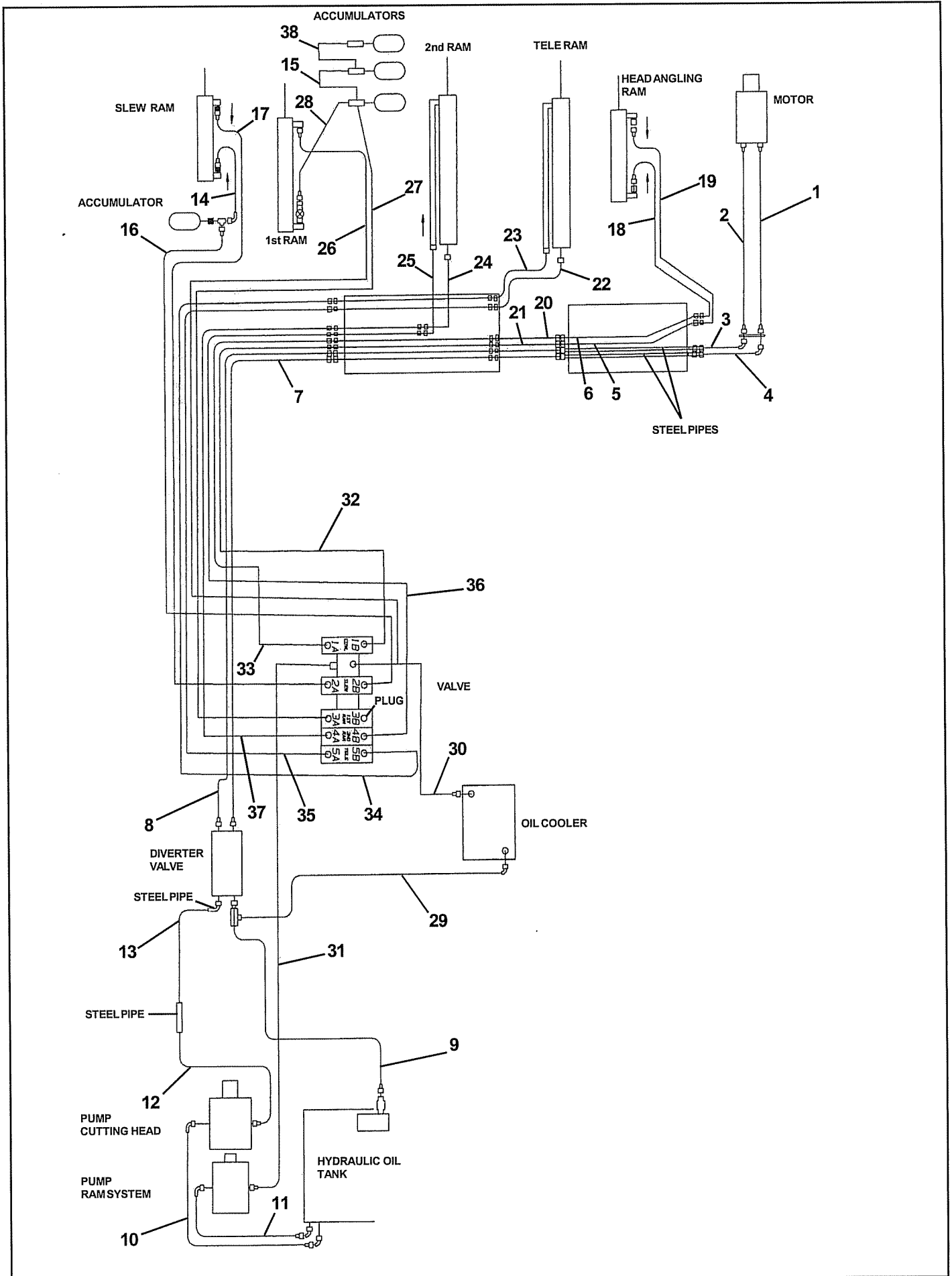
01▲	10.011.26	HOSE 1" BSP ST X ST 1600	1
01▼	10.011.22	HOSE 1" BSP ST X ST 1200	1
02▲	10.011.26	HOSE 1" BSP ST X ST 1600	1
02▼	10.011.22	HOSE 1" BSP ST X ST 1200	1
03	10.025.16	HOSE 1" BSP ST X 135 800	1
04	10.025.18	HOSE 1" BSP ST X 135 900	1
05▶	10.011.28	HOSE 1" BSP ST X ST 1800	1
05◀	10.011.32	HOSE 1" BSP ST X ST 2200	1
06▶	10.011.28	HOSE 1" BSP ST X ST 1800	1
06◀	10.011.32	HOSE 1" BSP ST X ST 2200	1
07	10.011.29	HOSE 1" BSP ST X ST 1900	1
08	10.011.29	HOSE 1" BSP ST X ST 1900	1
10	10.024.04	HOSE 1.1/2" BSP F/S X 90 FLANGE 600	1
11	10.012.17	HOSE 1" BSP ST X 90 850	1
12	10.022.38	HOSE 1" BSP ST X 90 FLANGE 650	1
13	10.011.05	HOSE 1" BSP ST X ST 250	1
14	10.004.08	HOSE 3/8" BSP ST X 90 400	1
15	10.004.08	HOSE 3/8" BSP ST X 90 400	1
16	10.004.24	HOSE 3/8" BSP ST X 90 1400	1
17	10.004.26	HOSE 3/8" BSP ST X 90 1600	1
18	10.003.20	HOSE 3/8" BSP ST X 90 1000	1
19	10.003.20	HOSE 3/8" BSP ST X 90 1000	1
20	10.003.29	HOSE 3/8" BSP ST X ST 1900	1
21	10.003.29	HOSE 3/8" BSP ST X ST 1900	1
22	10.018.04	HOSE 3/8" BSP ST X 45 750	1
23	10.018.04	HOSE 3/8" BSP ST X 45 750	1
24	10.003.07	HOSE 3/8" BSP ST X ST 350	1
25	10.003.07	HOSE 3/8" BSP ST X ST 350	1
26	10.004.36	HOSE 3/8" BSP ST X 90 2600	1
27	10.004.25	HOSE 3/8" BSP ST X 90 1500	1
28	10.006.21	HOSE 1/2" BSP ST X 90 1100	1
29	10.006.20	HOSE 1/2" BSP ST X 90 1000	1
30	10.006.20	HOSE 1/2" BSP ST X 90 1000	1
31▲	10.006.24	HOSE 1/2" BSP ST X 90 1400	1
31▼	10.006.29	HOSE 1/2" BSP ST X 90 1900	1
32	10.004.32	HOSE 3/8" BSP ST X 90 2200	1
33	10.004.32	HOSE 3/8" BSP ST X 90 2200	1
34	10.004.35	HOSE 3/8" BSP ST X 90 2500	1
35	10.004.35	HOSE 3/8" BSP ST X 90 2500	1
36	10.004.35	HOSE 3/8" BSP ST X 90 2500	1
37	10.004.35	HOSE 3/8" BSP ST X 90 2500	1

▲ LH MACHINES

▼ RH MACHINES

▶ 6.5 METRE MACHINES

◀ 7.25 METRE MACHINES

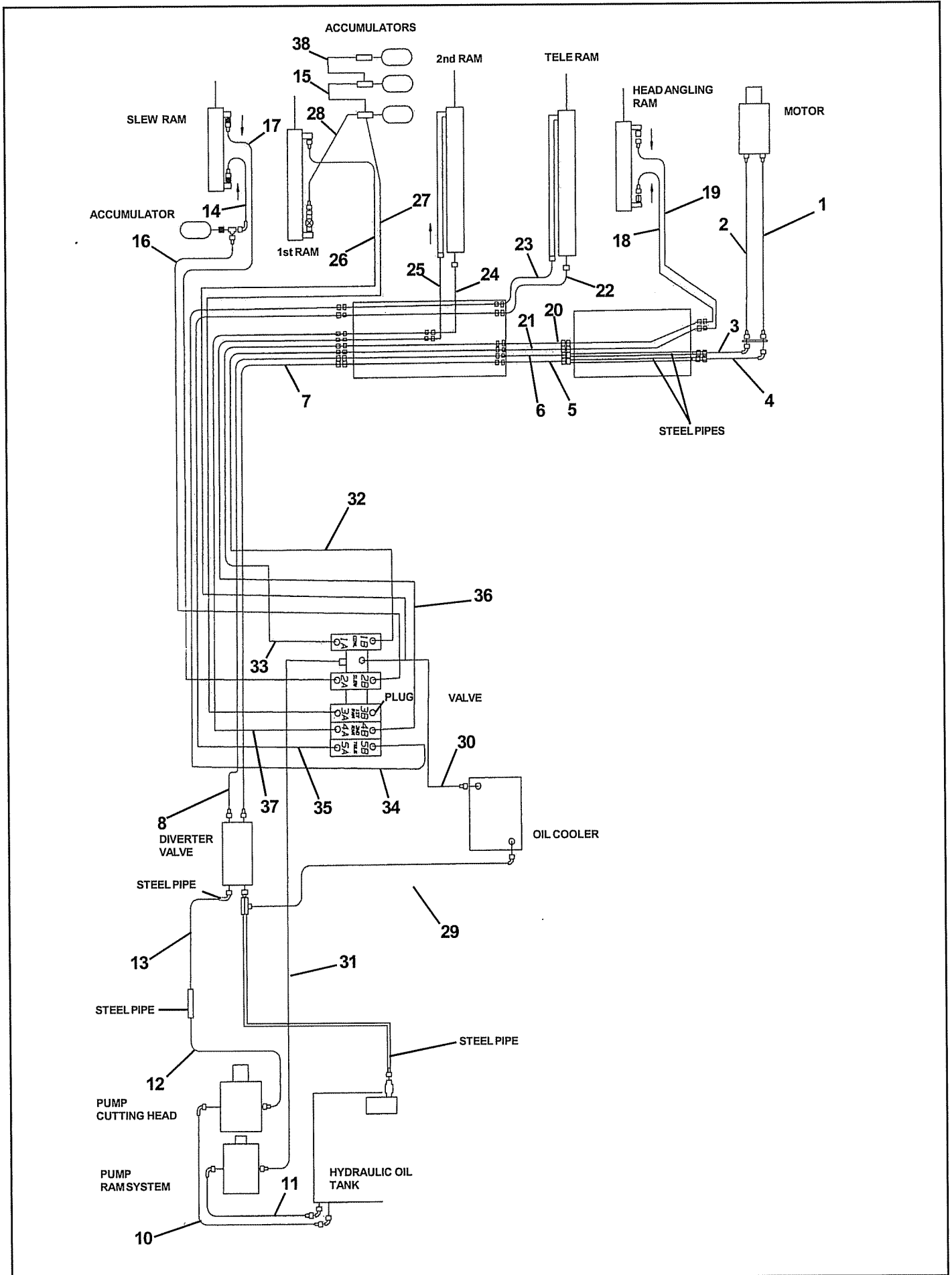


**HOSE KITS FOR  
90.080.01 & 02 – 8.0 MACHINES**

01▲	10.011.26	HOSE 1" BSP ST X ST 1600	1
01▼	10.011.22	HOSE 1" BSP ST X ST 1200	1
02▲	10.011.26	HOSE 1" BSP ST X ST 1600	1
02▼	10.011.22	HOSE 1" BSP ST X ST 1200	1
03	10.025.16	HOSE 1" BSP ST X 135 800	1
04	10.025.18	HOSE 1" BSP ST X 135 900	1
05	10.022.50	HOSE 1" BSP 2350	1
06	41350.33	HOSE 1" BSP 2300	1
07	10.011.29	HOSE 1" BSP ST X ST 1900	1
08	10.011.29	HOSE 1" BSP ST X ST 1900	1
09	10.012.11	HOSE 1" BSP ST X 90 550	1
10	10.024.04	HOSE 1.1/2" BSP F/S X 90 FLANGE 600	1
11	10.012.17	HOSE 1" BSP ST X 90 850	1
12	10.022.38	HOSE 1" BSP ST X 90 FLANGE 650	1
13	10.011.10	HOSE 1" BSP ST X ST 500	1
14	10.004.08	HOSE 3/8" BSP ST X 90 400	1
15	10.004.08	HOSE 3/8" BSP ST X 90 400	1
16	10.004.24	HOSE 3/8" BSP ST X 90 1400	1
17	10.004.26	HOSE 3/8" BSP ST X 90 1600	1
18	10.003.20	HOSE 3/8" BSP ST X 90 1000	1
19	10.003.20	HOSE 3/8" BSP ST X 90 1000	1
20	10.003.34	HOSE 3/8" BSP ST X ST 2400	1
21	10.003.34	HOSE 3/8" BSP ST X ST 2400	1
22	10.018.06	HOSE 3/8" BSP ST X 45 900	1
23	10.018.06	HOSE 3/8" BSP ST X 45 900	1
24	10.003.22	HOSE 3/8" BSP ST X ST 1200	1
25	10.003.22	HOSE 3/8" BSP ST X ST 1200	1
26	10.004.36	HOSE 3/8" BSP ST X 90 2600	1
27	10.004.25	HOSE 3/8" BSP ST X 90 1500	1
28	10.006.21	HOSE 1/2" BSP ST X 90 1100	1
29	10.006.20	HOSE 1/2" BSP ST X 90 1000	1
30	10.006.20	HOSE 1/2" BSP ST X 90 1000	1
31▲	10.006.24	HOSE 1/2" BSP ST X 90 1400	1
31▼	10.006.29	HOSE 1/2" BSP ST X 90 1900	1
32	10.004.32	HOSE 3/8" BSP ST X 90 2200	1
33	10.004.32	HOSE 3/8" BSP ST X 90 2200	1
34	10.004.35	HOSE 3/8" BSP ST X 90 2500	1
35	10.004.35	HOSE 3/8" BSP ST X 90 2500	1
36	10.004.35	HOSE 3/8" BSP ST X 90 2500	1
37	10.004.35	HOSE 3/8" BSP ST X 90 2500	1
38	10.004.08	HOSE 3/8" BSP ST X 90 400	1

▲ LH MACHINES

▼ RH MACHINES

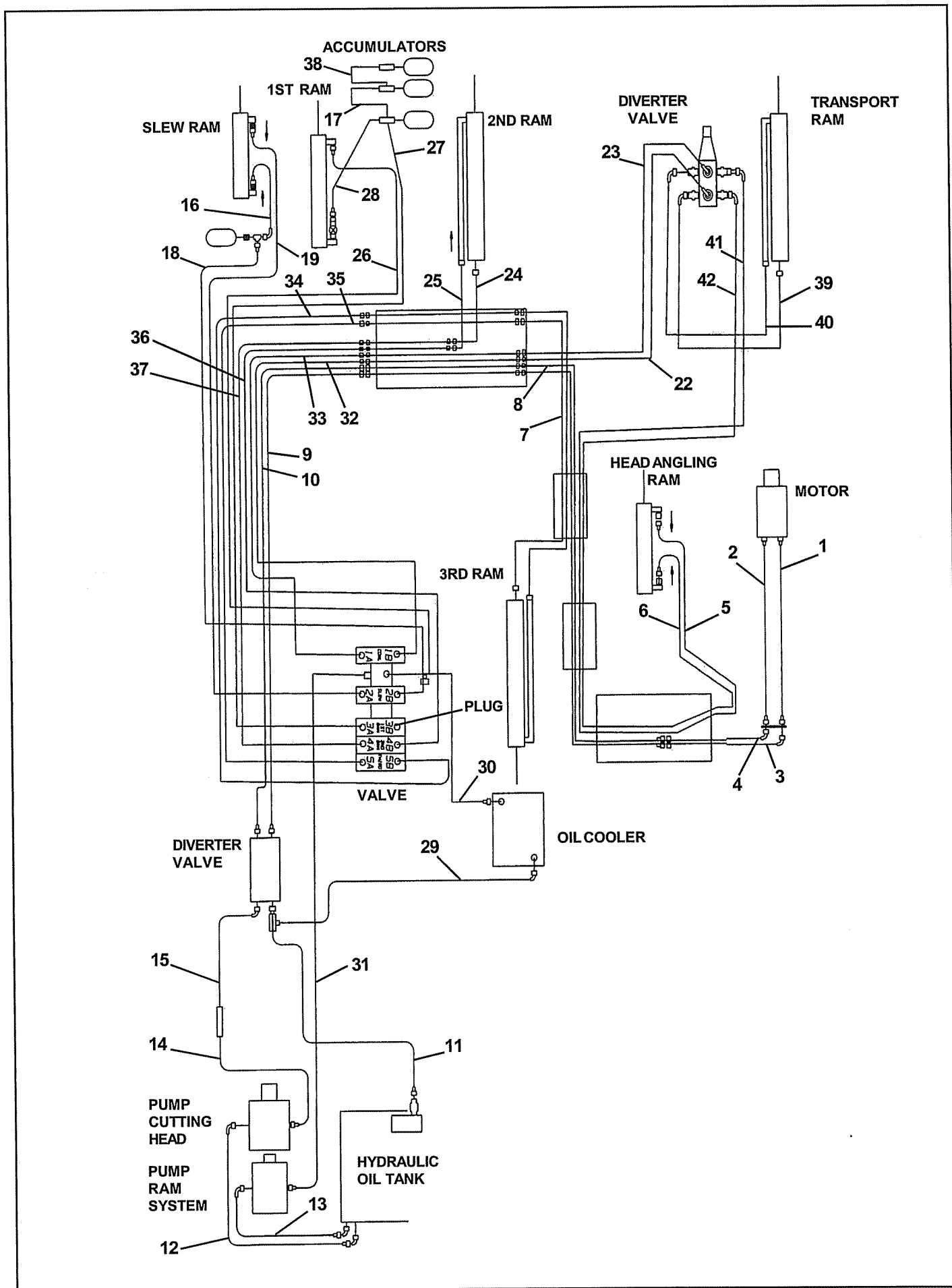


**HOSE KITS FOR  
90.080.03 & 04 – 8.0 ELECTRIC DSR MACHINES**

01▲	10.011.26	HOSE 1" BSP ST X ST 1600	1
01▼	10.011.22	HOSE 1" BSP ST X ST 1200	1
02▲	10.011.26	HOSE 1" BSP ST X ST 1600	1
02▼	10.011.22	HOSE 1" BSP ST X ST 1200	1
03	10.025.16	HOSE 1" BSP ST X 135 800	1
04	10.025.18	HOSE 1" BSP ST X 135 900	1
05	10.022.50	HOSE 1" BSP 2350	1
06	41350.33	HOSE 1" BSP 2300	1
07	10.011.29	HOSE 1" BSP ST X ST 1900	1
08	10.011.29	HOSE 1" BSP ST X ST 1900	1
10	10.024.04	HOSE 1.1/2" BSP F/S X 90 FLANGE 600	1
11	10.012.17	HOSE 1" BSP ST X 90 850	1
12	10.022.38	HOSE 1" BSP ST X 90 FLANGE 650	1
13	10.011.10	HOSE 1" BSP ST X ST 500	1
14	10.004.08	HOSE 3/8" BSP ST X 90 400	1
15	10.004.08	HOSE 3/8" BSP ST X 90 400	1
16	10.004.24	HOSE 3/8" BSP ST X 90 1400	1
17	10.004.26	HOSE 3/8" BSP ST X 90 1600	1
18	10.003.20	HOSE 3/8" BSP ST X 90 1000	1
19	10.003.20	HOSE 3/8" BSP ST X 90 1000	1
20	10.003.24	HOSE 3/8" BSP ST X ST 2400	1
21	10.003.24	HOSE 3/8" BSP ST X ST 2400	1
22	10.018.06	HOSE 3/8" BSP ST X 45 900	1
23	10.018.06	HOSE 3/8" BSP ST X 45 900	1
24	10.003.22	HOSE 3/8" BSP ST X ST 1200	1
25	10.003.22	HOSE 3/8" BSP ST X ST 1200	1
26	10.004.36	HOSE 3/8" BSP ST X 90 2600	1
27	10.004.25	HOSE 3/8" BSP ST X 90 1500	1
28	10.006.21	HOSE 1/2" BSP ST X 90 1100	1
29	10.006.20	HOSE 1/2" BSP ST X 90 1000	1
30	10.006.20	HOSE 1/2" BSP ST X 90 1000	1
31▲	10.006.24	HOSE 1/2" BSP ST X 90 1400	1
31▼	10.006.29	HOSE 1/2" BSP ST X 90 1900	1
32	10.004.32	HOSE 3/8" BSP ST X 90 2200	1
33	10.004.32	HOSE 3/8" BSP ST X 90 2200	1
34	10.004.35	HOSE 3/8" BSP ST X 90 2500	1
35	10.004.35	HOSE 3/8" BSP ST X 90 2500	1
36	10.004.35	HOSE 3/8" BSP ST X 90 2500	1
37	10.004.35	HOSE 3/8" BSP ST X 90 2500	1
38	10.004.08	HOSE 3/8" BSP ST X 90 400	1

▲ LH MACHINES

▼ RH MACHINES



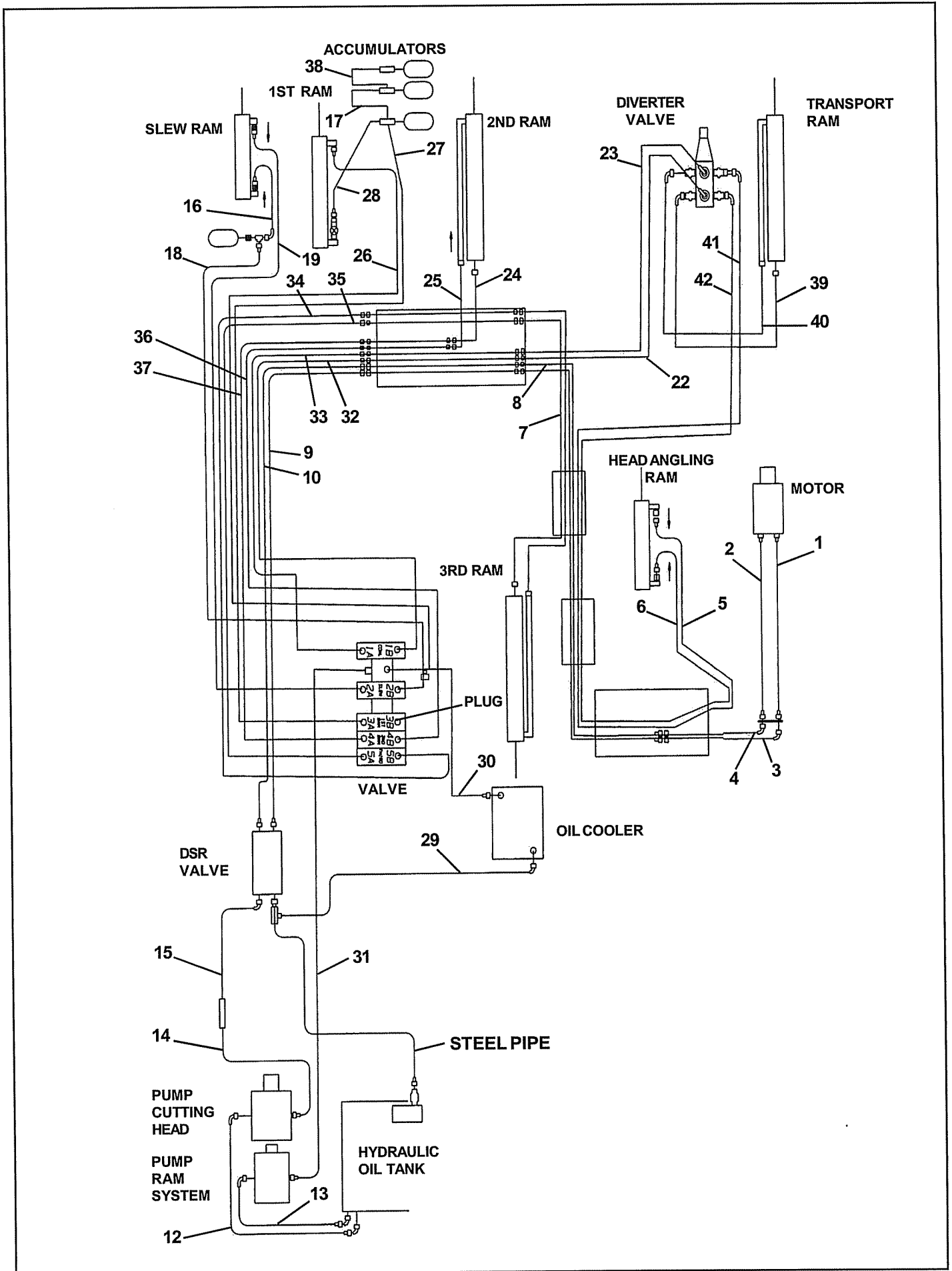
## HOSE KITS FOR

## 90.080.21 &amp; 22 – 8.0 3 ARM MACHINES – DIVERter VALVE

01▲	10.011.26	HOSE 1" BSP ST X ST 1600	1
01▼	10.011.22	HOSE 1" BSP ST X ST 1200	1
02▲	10.011.26	HOSE 1" BSP ST X ST 1600	1
02▼	10.011.22	HOSE 1" BSP ST X ST 1200	1
03	10.025.21	HOSE 1" BSP ST X 135 1100	1
04	10.025.22	HOSE 1" BSP ST X 135 1200	1
05	10.004.60	HOSE 3/8" BSP ST X 90 5000	1
06	10.004.60	HOSE 3/8" BSP ST X 90 5000	1
07	10.011.73	HOSE 1" BSP ST X ST 6300	1
08	10.011.73	HOSE 1" BSP ST X ST 6300	1
09	10.011.29	HOSE 1" BSP ST X ST 1900	1
10	10.011.29	HOSE 1" BSP ST X ST 1900	1
11	10.012.11	HOSE 1" BSP ST X 90 550	1
12▲	10.024.15	HOSE 1.5" BSP	1
12▼	10.024.04	HOSE 1.5" BSP F/S X 90 FLANGE 600	1
13	10.012.17	HOSE 1" BSP ST X 90 850	1
14	10.022.38	HOSE 1" BSP ST X 90 FLANGE 650	1
15	10.011.10	HOSE 1" BSP ST X ST 500	1
16	10.004.08	HOSE 3/8" BSP ST X 90 400	1
17	10.004.08	HOSE 3/8" BSP ST X 90 400	1
18	10.004.24	HOSE 3/8" BSP ST X 90 1400	1
19	10.004.26	HOSE 3/8" BSP ST X 90 1600	1
22	10.004.24	HOSE 3/8" BSP ST X 90 1400	1
23	10.004.24	HOSE 3/8" BSP ST X 90 1400	1
24	10.003.22	HOSE 3/8" BSP ST X ST 1200	1
25	10.003.22	HOSE 3/8" BSP ST X ST 1200	1
26	10.004.36	HOSE 3/8" BSP ST X 90 2600	1
27	10.004.25	HOSE 3/8" BSP ST X 90 1500	1
28	10.006.21	HOSE 1/2" BSP ST X 90 1100	1
29	10.006.20	HOSE 1/2" BSP ST X 90 1000	1
30	10.019.01	HOSE 1/2" BSP 90 X 90 1070	1
31▲	10.006.24	HOSE 1/2" BSP ST X 90 1400	1
31▼	10.006.29	HOSE 1/2" BSP ST X 90 1900	1
32	10.004.32	HOSE 3/8" BSP ST X 90 2200	1
33	10.004.32	HOSE 3/8" BSP ST X 90 2200	1
34	10.004.35	HOSE 3/8" BSP ST X 90 2500	1
35	10.004.35	HOSE 3/8" BSP ST X 90 2500	1
36	10.004.35	HOSE 3/8" BSP ST X 90 2500	1
37	10.004.35	HOSE 3/8" BSP ST X 90 2500	1
38	10.004.08	HOSE 3/8" BSP ST X 90 400	1
39	10.004.06	HOSE 3/8" BSP ST X 90 300	1
40	10.004.06	HOSE 3/8" BSP ST X 90 300	1
41	10.003.46	HOSE 3/8" BSP ST X ST 3600	1
42	10.003.46	HOSE 3/8" BSP ST X ST 3600	1

▲ LH MACHINES

▼ RH MACHINES





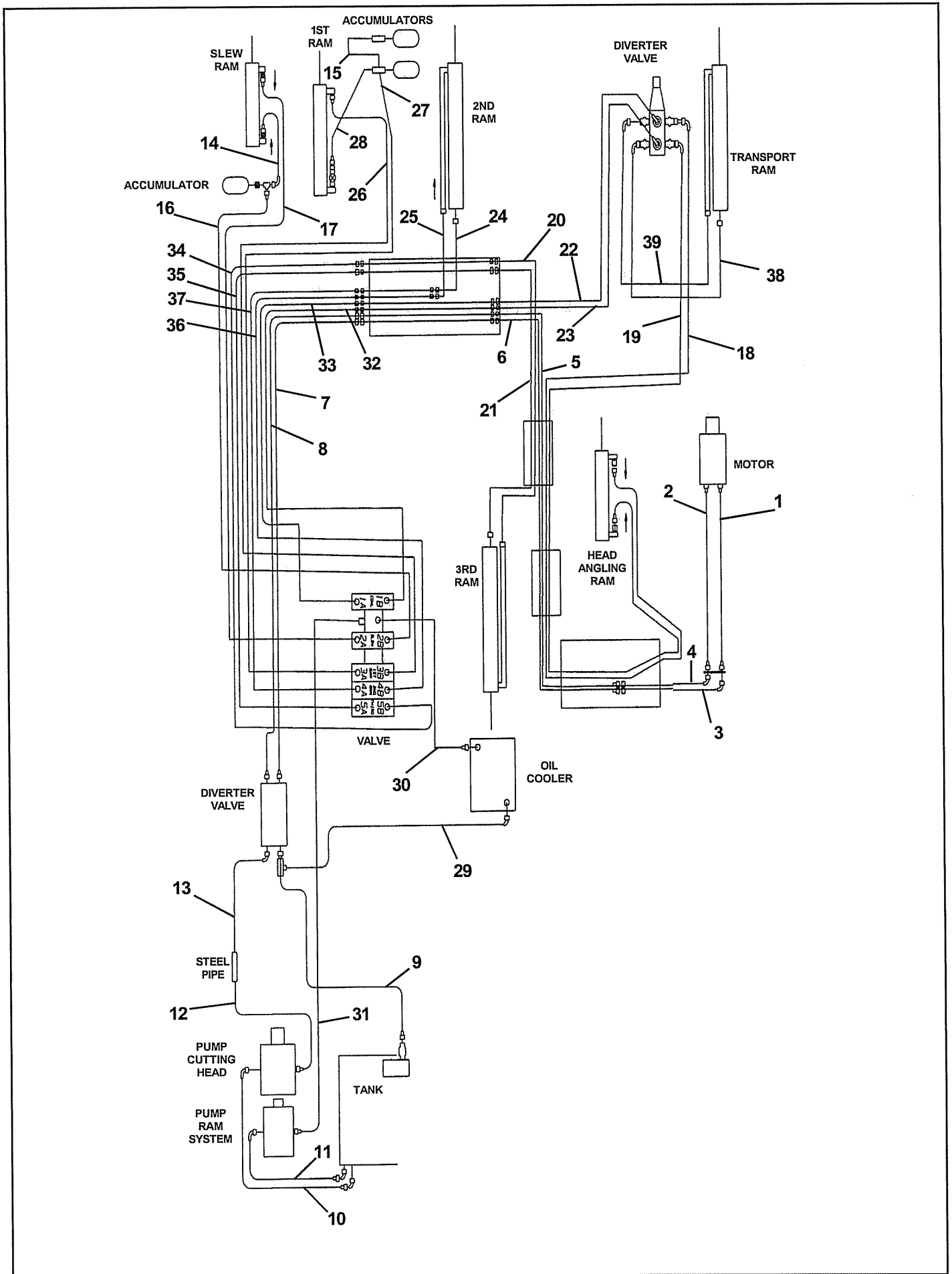
## HOSE KITS FOR

## 90.080.23, 24 &amp; 25 – 8.0 3 ARM MACHINES – DSR VALVE

01▲	10.011.26	HOSE 1" BSP ST X ST 1600	1
01▼	10.011.22	HOSE 1" BSP ST X ST 1200	1
02▲	10.011.26	HOSE 1" BSP ST X ST 1600	1
02▼	10.011.22	HOSE 1" BSP ST X ST 1200	1
03	10.025.21	HOSE 1" BSP ST X 135 1100	1
04	10.025.22	HOSE 1" BSP ST X 135 1200	1
05	10.004.60	HOSE 3/8" BSP ST X 90 5000	1
06	10.004.60	HOSE 3/8" BSP ST X 90 5000	1
07	10.011.73	HOSE 1" BSP ST X ST 6300	1
08	10.011.73	HOSE 1" BSP ST X ST 6300	1
09	10.011.29	HOSE 1" BSP ST X ST 1900	1
10	10.011.29	HOSE 1" BSP ST X ST 1900	1
12▲	10.024.15	HOSE 1.5" BSP	1
12▼	10.024.04	HOSE 1.5" BSP F/S X 90 FLANGE 600	1
13	10.012.17	HOSE 1" BSP ST X 90 850	1
14	10.022.38	HOSE 1" BSP ST X 90 FLANGE 650	1
15	10.011.10	HOSE 1" BSP ST X ST 500	1
16	10.004.08	HOSE 3/8" BSP ST X 90 400	1
17	10.004.08	HOSE 3/8" BSP ST X 90 400	1
18	10.004.24	HOSE 3/8" BSP ST X 90 1400	1
19	10.004.26	HOSE 3/8" BSP ST X 90 1600	1
22	10.004.24	HOSE 3/8" BSP ST X 90 1400	1
23	10.004.24	HOSE 3/8" BSP ST X 90 1400	1
24	10.003.22	HOSE 3/8" BSP ST X ST 1200	1
25	10.003.22	HOSE 3/8" BSP ST X ST 1200	1
26	10.004.36	HOSE 3/8" BSP ST X 90 2600	1
27	10.004.25	HOSE 3/8" BSP ST X 90 1500	1
28	10.006.21	HOSE 1/2" BSP ST X 90 1100	1
29	10.006.20	HOSE 1/2" BSP ST X 90 1000	1
30	10.006.20	HOSE 1/2" BSP ST X 90 1000	1
31▲	10.006.24	HOSE 1/2" BSP ST X 90 1400	1
31▼	10.006.29	HOSE 1/2" BSP ST X 90 1900	1
32	10.004.32	HOSE 3/8" BSP ST X 90 2200	1
33	10.004.32	HOSE 3/8" BSP ST X 90 2200	1
34	10.004.35	HOSE 3/8" BSP ST X 90 2500	1
35	10.004.35	HOSE 3/8" BSP ST X 90 2500	1
36	10.004.35	HOSE 3/8" BSP ST X 90 2500	1
37	10.004.35	HOSE 3/8" BSP ST X 90 2500	1
38	10.004.08	HOSE 3/8" BSP ST X 90 400	1
39	10.004.06	HOSE 3/8" BSP ST X 90 300	1
40	10.004.06	HOSE 3/8" BSP ST X 90 300	1
41	10.003.46	HOSE 3/8" BSP ST X ST 3600	1
42	10.003.46	HOSE 3/8" BSP ST X ST 3600	1

▲ LH MACHINES

▼ RH MACHINES



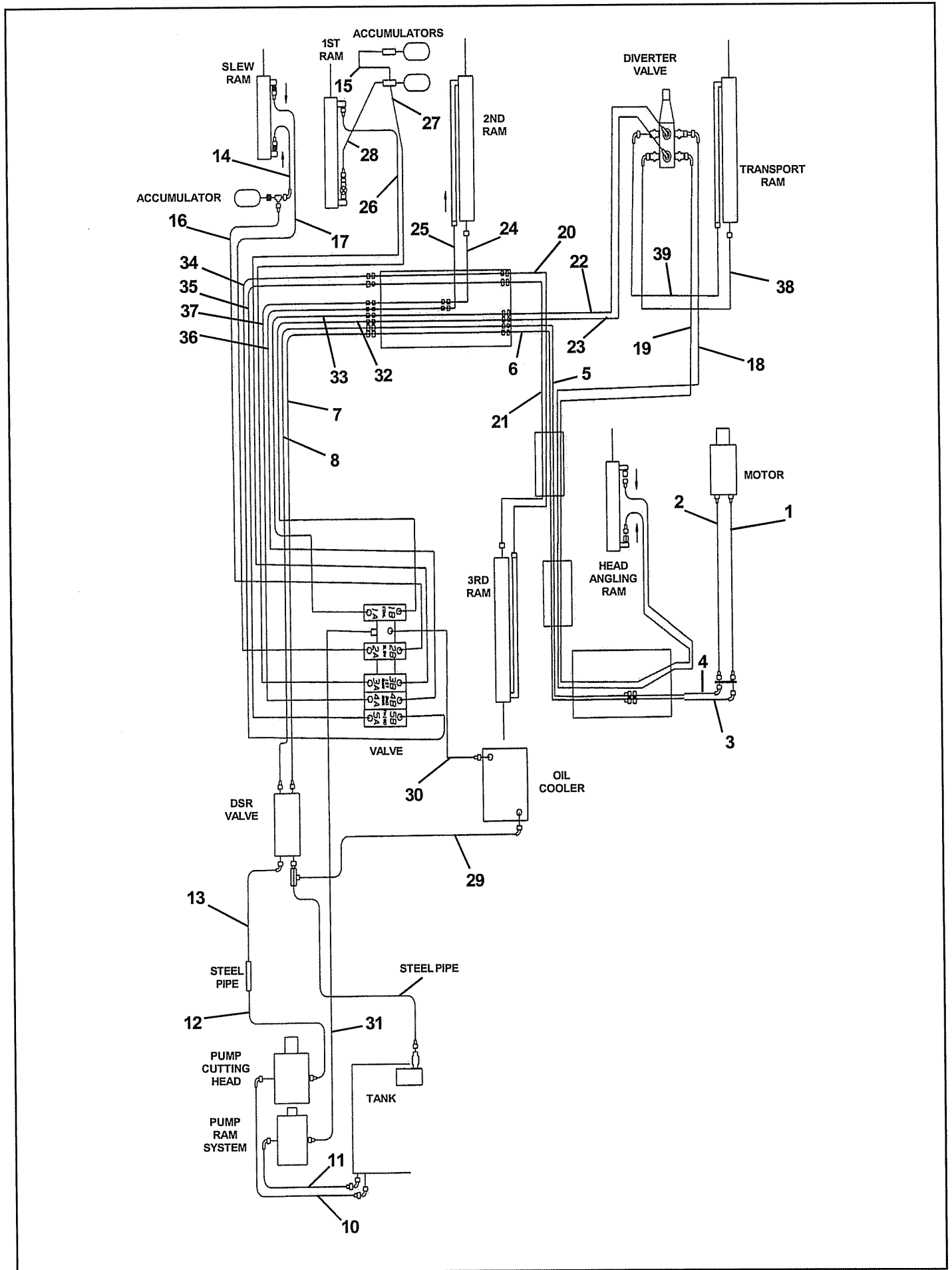
## HOSE KITS FOR

## 90.073.21 &amp; 22 – 7.25 3 ARM MACHINES – DIVERTER VALVE

01▲	10.011.26	HOSE 1" BSP ST X ST 1600	1
01▼	10.011.22	HOSE 1" BSP ST X ST 1200	1
02▲	10.011.26	HOSE 1" BSP ST X ST 1600	1
02▼	10.011.22	HOSE 1" BSP ST X ST 1200	1
03	10.025.21	HOSE 1" BSP ST X 135 1100	1
04	10.025.22	HOSE 1" BSP ST X 135 1200	1
05	10.011.64	HOSE 1" BSP ST X ST 5400	1
06	10.011.64	HOSE 1" BSP ST X ST 5400	1
07	10.011.29	HOSE 1" BSP ST X ST 1900	1
08	10.011.29	HOSE 1" BSP ST X ST 1900	1
09	10.012.11	HOSE 1" BSP ST X 90 550	1
10▲	10.024.15	HOSE 1.5" BSP F/S X 90 FLANGE 650	1
10▼	10.024.04	HOSE 1.5" BSP F/S X 90 FLANGE 600	1
11	10.012.17	HOSE 1" BSP ST X 90 850	1
12	10.022.38	HOSE 1" BSP ST X 90 FLANGE 650	1
13	10.011.10	HOSE 1" BSP ST X ST 500	1
14	10.004.08	HOSE 3/8" BSP ST X 90 400	1
15	10.004.08	HOSE 3/8" BSP ST X 90 400	1
16	10.004.24	HOSE 3/8" BSP ST X 90 1400	1
17	10.004.26	HOSE 3/8" BSP ST X 90 1600	1
18	10.004.52	HOSE 3/8" BSP ST X 90 4200	1
19	10.004.52	HOSE 3/8" BSP ST X 90 4200	1
20	10.003.46	HOSE 3/8" BSP ST X ST 3600	1
21	10.003.46	HOSE 3/8" BSP ST X ST 3600	1
22	10.004.24	HOSE 3/8" BSP ST X 90 1400	1
23	10.004.24	HOSE 3/8" BSP ST X 90 1400	1
24	10.003.22	HOSE 3/8" BSP ST X ST 1200	1
25	10.003.22	HOSE 3/8" BSP ST X ST 1200	1
26	10.004.36	HOSE 3/8" BSP ST X 90 2600	1
27	10.004.25	HOSE 3/8" BSP ST X 90 1500	1
28	10.006.21	HOSE 1/2" BSP ST X 90 1100	1
29	10.006.20	HOSE 1/2" BSP ST X 90 1000	1
30	10.019.01	HOSE 1/2" BSP 90 X 90 1070	1
31▲	10.006.24	HOSE 1/2" BSP ST X 90 1400	1
31▼	10.006.29	HOSE 1/2" BSP ST X 90 1900	1
32	10.004.32	HOSE 3/8" BSP ST X 90 2200	1
33	10.004.32	HOSE 3/8" BSP ST X 90 2200	1
34	10.004.35	HOSE 3/8" BSP ST X 90 2500	1
35	10.004.35	HOSE 3/8" BSP ST X 90 2500	1
36	10.004.35	HOSE 3/8" BSP ST X 90 2500	1
37	10.004.35	HOSE 3/8" BSP ST X 90 2500	1
38	10.004.06	HOSE 3/8" BSP ST X 90 300	1
39	10.004.06	HOSE 3/8" BSP ST X 90 300	1

▲ LH MACHINES

▼ RH MACHINES



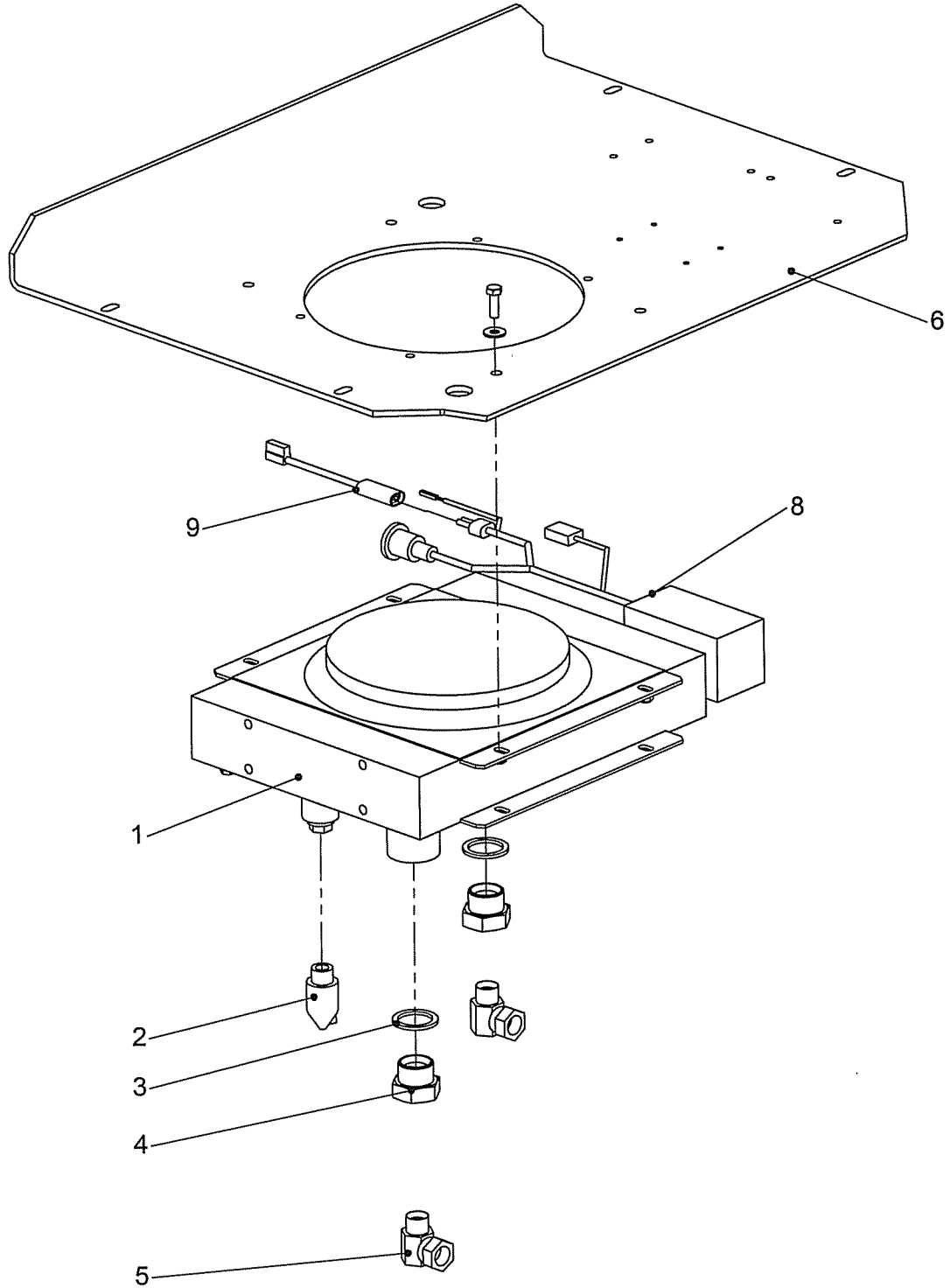
## HOSE KITS FOR

## 90.073.2? &amp; 2? – 7.25 3 ARM MACHINES – DSR VALVE

01▲	10.011.26	HOSE 1" BSP ST X ST 1600	1
01▼	10.011.22	HOSE 1" BSP ST X ST 1200	1
02▲	10.011.26	HOSE 1" BSP ST X ST 1600	1
02▼	10.011.22	HOSE 1" BSP ST X ST 1200	1
03	10.025.21	HOSE 1" BSP ST X 135 1100	1
04	10.025.22	HOSE 1" BSP ST X 135 1200	1
05	10.011.64	HOSE 1" BSP ST X ST 5400	1
06	10.011.64	HOSE 1" BSP ST X ST 5400	1
07	10.011.29	HOSE 1" BSP ST X ST 1900	1
08	10.011.29	HOSE 1" BSP ST X ST 1900	1
10▲	10.024.15	HOSE 1.5" BSP F/S X 90 FLANGE 650	1
10▼	10.024.04	HOSE 1.5" BSP F/S X 90 FLANGE 600	1
11	10.012.17	HOSE 1" BSP ST X 90 850	1
12	10.022.38	HOSE 1" BSP ST X 90 FLANGE 650	1
13	10.011.10	HOSE 1" BSP ST X ST 500	1
14	10.004.08	HOSE 3/8" BSP ST X 90 400	1
15	10.004.08	HOSE 3/8" BSP ST X 90 400	1
16	10.004.24	HOSE 3/8" BSP ST X 90 1400	1
17	10.004.26	HOSE 3/8" BSP ST X 90 1600	1
18	10.004.52	HOSE 3/8" BSP ST X 90 4200	1
19	10.004.52	HOSE 3/8" BSP ST X 90 4200	1
20	10.003.46	HOSE 3/8" BSP ST X ST 3600	1
21	10.003.46	HOSE 3/8" BSP ST X ST 3600	1
22	10.004.24	HOSE 3/8" BSP ST X 90 1400	1
23	10.004.24	HOSE 3/8" BSP ST X 90 1400	1
24	10.003.22	HOSE 3/8" BSP ST X ST 1200	1
25	10.003.22	HOSE 3/8" BSP ST X ST 1200	1
26	10.004.36	HOSE 3/8" BSP ST X 90 2600	1
27	10.004.25	HOSE 3/8" BSP ST X 90 1500	1
28	10.006.21	HOSE 1/2" BSP ST X 90 1100	1
29	10.006.20	HOSE 1/2" BSP ST X 90 1000	1
30	10.019.01	HOSE 1/2" BSP 90 X 90 1070	1
31▲	10.006.24	HOSE 1/2" BSP ST X 90 1400	1
31▼	10.006.29	HOSE 1/2" BSP ST X 90 1900	1
32	10.004.32	HOSE 3/8" BSP ST X 90 2200	1
33	10.004.32	HOSE 3/8" BSP ST X 90 2200	1
34	10.004.35	HOSE 3/8" BSP ST X 90 2500	1
35	10.004.35	HOSE 3/8" BSP ST X 90 2500	1
36	10.004.35	HOSE 3/8" BSP ST X 90 2500	1
37	10.004.35	HOSE 3/8" BSP ST X 90 2500	1
38	10.004.06	HOSE 3/8" BSP ST X 90 300	1
39	10.004.06	HOSE 3/8" BSP ST X 90 300	1

▲ LH MACHINES

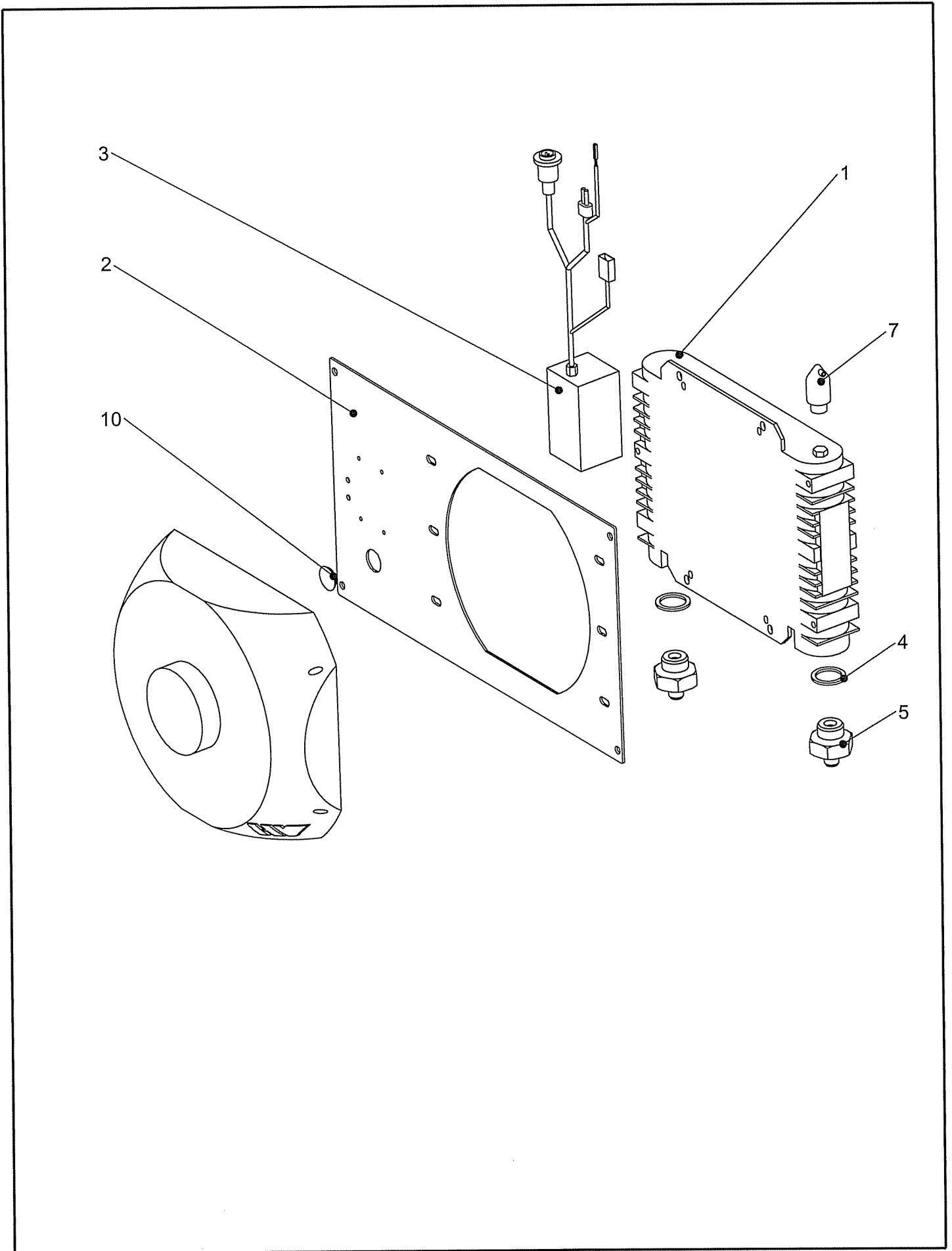
▼ RH MACHINES



## 77.146.05/07 OIL COOLER ASSY LH/RH 9392 (Up to Machine Serial No.30659S/05)

01	45324.01	OIL COOLER (BLACK)	1
02	45324.02	THERMOSTAT FOR 45324.01	1
03	05.290.07	BONDED SEAL 1"BSP	2
04	30.059.84	ADAPTOR 1/2 BSPM / 1 BSPM	2
05	05.835.05	ADAPTOR-SWIVEL 90 1/2"BSP M/F	2
06	05.264.01	SETSCREW M8 X 20MM PLATED	4
06	05.281.01	FLAT WASHER 8MM PLATED	4
06	05.282.01	SPRING WASHER 8MM PLATED	4
*06	46713.01	PLATE - COOLER MOUNT LH	1
06	46713.02	PLATE - COOLER MOUNT RH	1
06	30.216.54	RIVNUT M8	4
07	03.816.01	PLUG-RUBBER 25MM DIA (NOT ILLUSTRATED)	1
08	46138.01	LOOM OIL COOLER DCU CONTROLS	1
09	46650.01	CABLE-CONNECT OIL CLR TO RELAY	1
10	08.987.02	CABLE ASSY - 5.65M (NOT ILLUSTRATED)	1

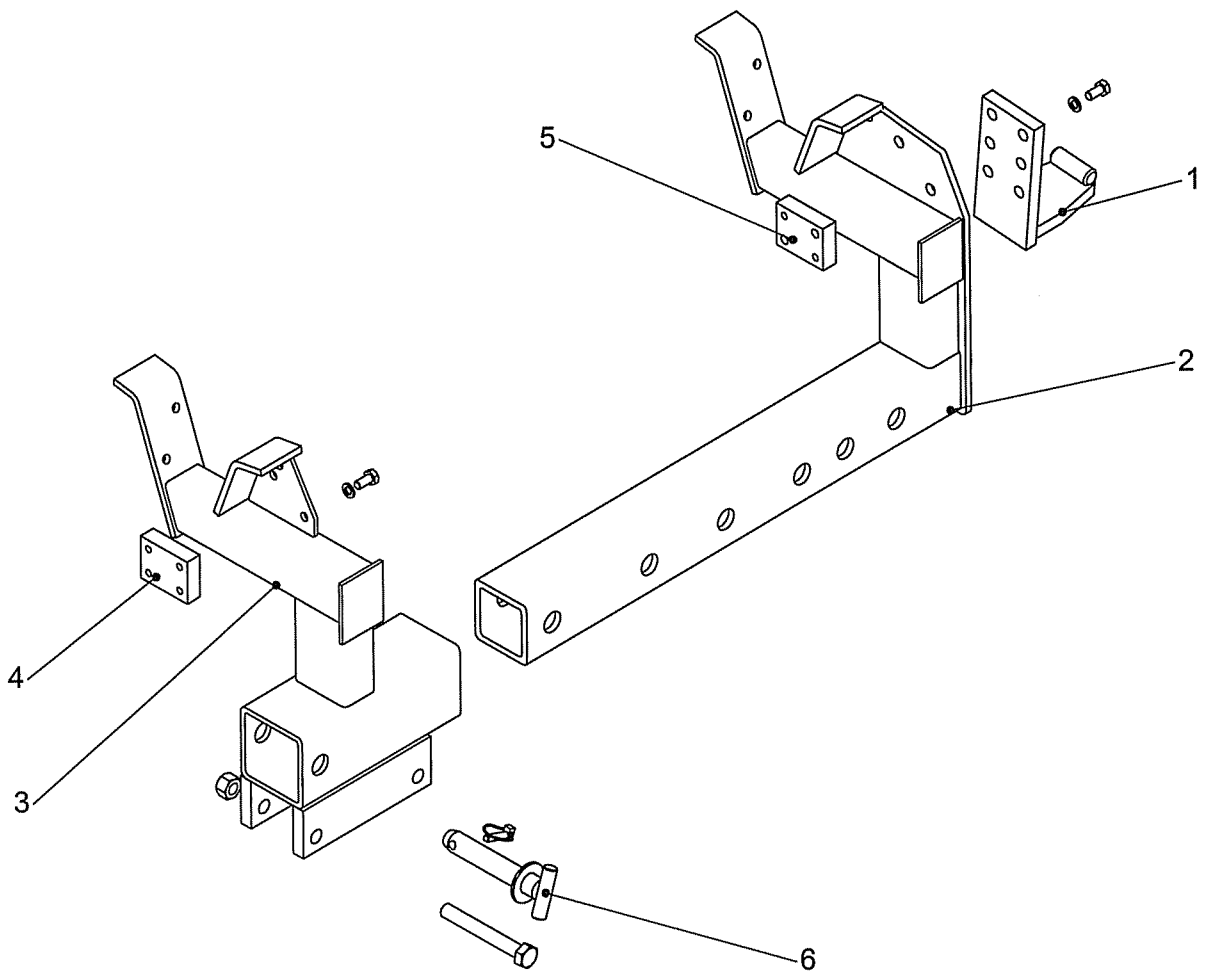
\* MAIN PART IN GROUP. RELATED PARTS HAVE SAME REFERENCE NUMBER.





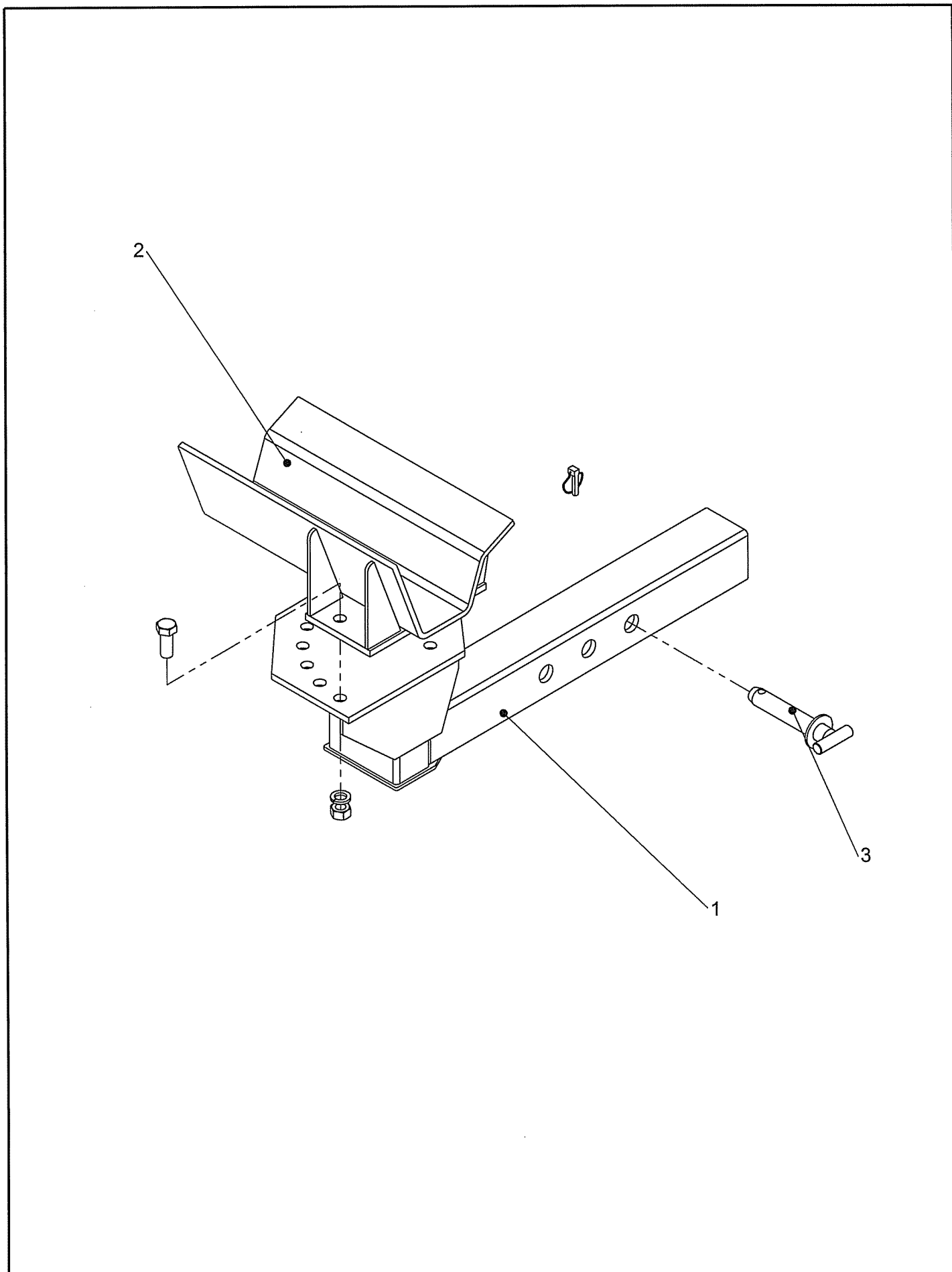
**77.146.13 OIL COOLER ASSY (From Machine Serial No. 3060S/05)**

01	47313.02	OIL COOLER	1
02	47379.01	MOUNTING PLATE	1
02	05.291.01	BOLT, M8 X 30	3
03	46138.02	RELAY BOX AND LOOM	1
03	05.282.07	SPRING WASHER 6MM	4
03	05.839.05	SET SCREW M6 X 16MM	4
04	05.290.07	BONDED SEAL 1" BSP	2
05	30.059.84	ADAPTOR 1" BSPM X ½" BSPM	2
06	10.006.20	HOSE ½" BSP ST X 90 1000 1 (Not Illustrated)	1
07	45324.02	THERMOSTAT	1
08	08.987.02	POWER CABLE ASSEMBLY(Not Illustrated)	1
09	46650.01	CABLE – OIL COOLER TO RELAY (Not Illustrated)	1
10	03.816.01	PLUG RUBBER - BLANKING	1



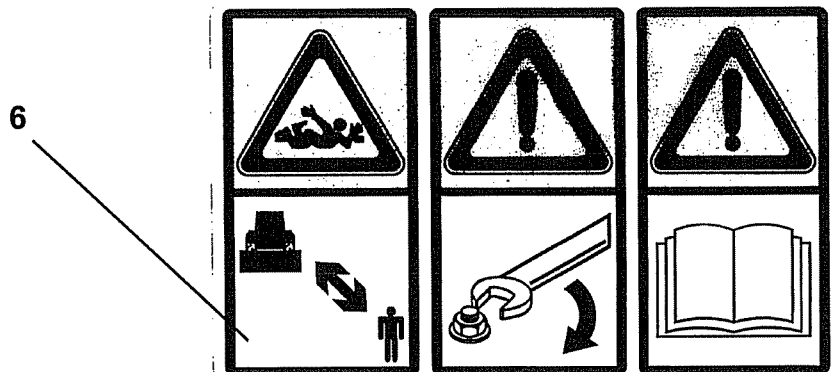
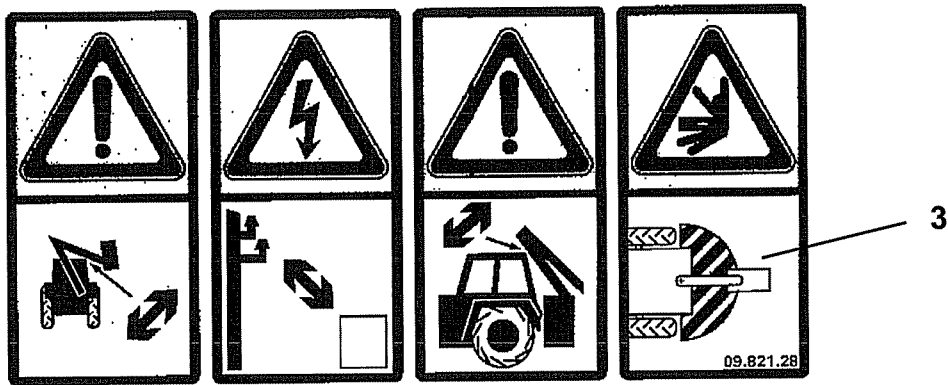
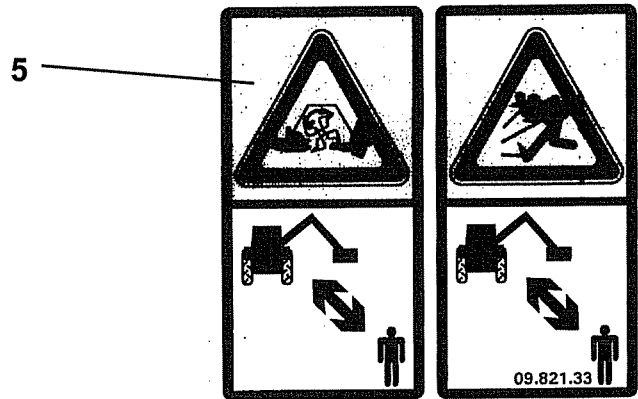
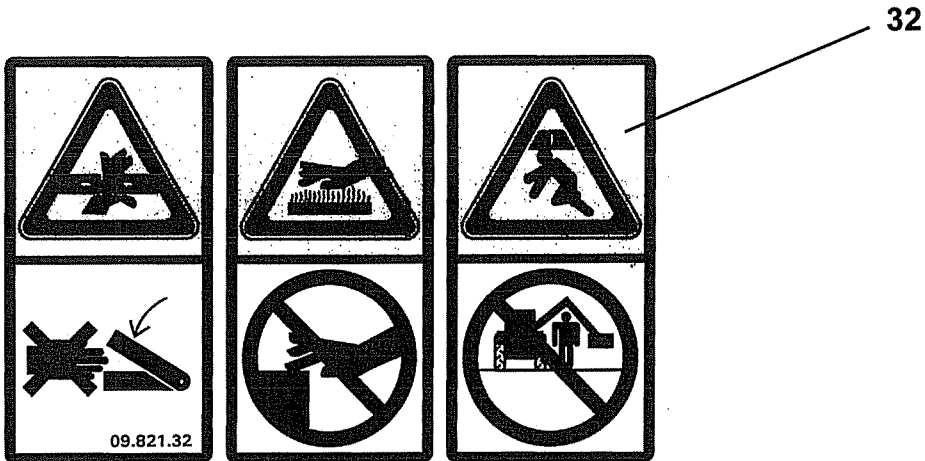
## 77.277.01/02 CUTTING HEAD TRANSPORT LH/RH 9392

01	05.282.04	SPRING WASHER 16MM PLATED	2
01	05.286.04	NUT M16 PLATED	2
01	05.291.35	BOLT M16 X 50MM PLATED	2
01	46812.01	BRACKET - HEAD TRANSPORT	1
02	46710.01	STAY - TRANSPORT HEAD LH	1
02	46710.02	STAY - TRANSPORT HEAD RH	1
03	46729.01	BRACKET - HEAD TRANSPORT	1
04	05.264.22	SETSCREW M12 X 25MM PLATED	2
04	05.282.03	SPRING WASHER 12MM PLATED	2
04	46730.01	SPACER - HEAD TRANSPORT	1
05	05.264.22	SETSCREW M12 X 25MM PLATED	2
05	05.282.03	SPRING WASHER 12MM PLATED	2
05	46730.02	SPACER FLAT-BLK 70X25 X90MM	1
06	00.372.01	LINCH PIN	2
06	46714.01	PIN - TRANSPORT HEAD	2



**77.277.05/06 CUTTING HEAD TRANSPORT LH/RH**

01	47187.03	BRACKET - HEAD TRANSPORT LH	1
01	47187.04	BRACKET - HEAD TRANSPORT RH	1
01	05.264.47	SETSCREW M20 X 50	2
01	05.282.05	SPRING WASHER 20MM	2
01	05.286.05	NUT M20	2
02	47310.01	HEAD SUPPORT BRACKET LH	1
02	47310.02	HEAD SUPPORT BRACKET RH	1
03	00.372.01	LINCH PIN	1
03	46714.01	PIN - TRANSPORT HEAD	1

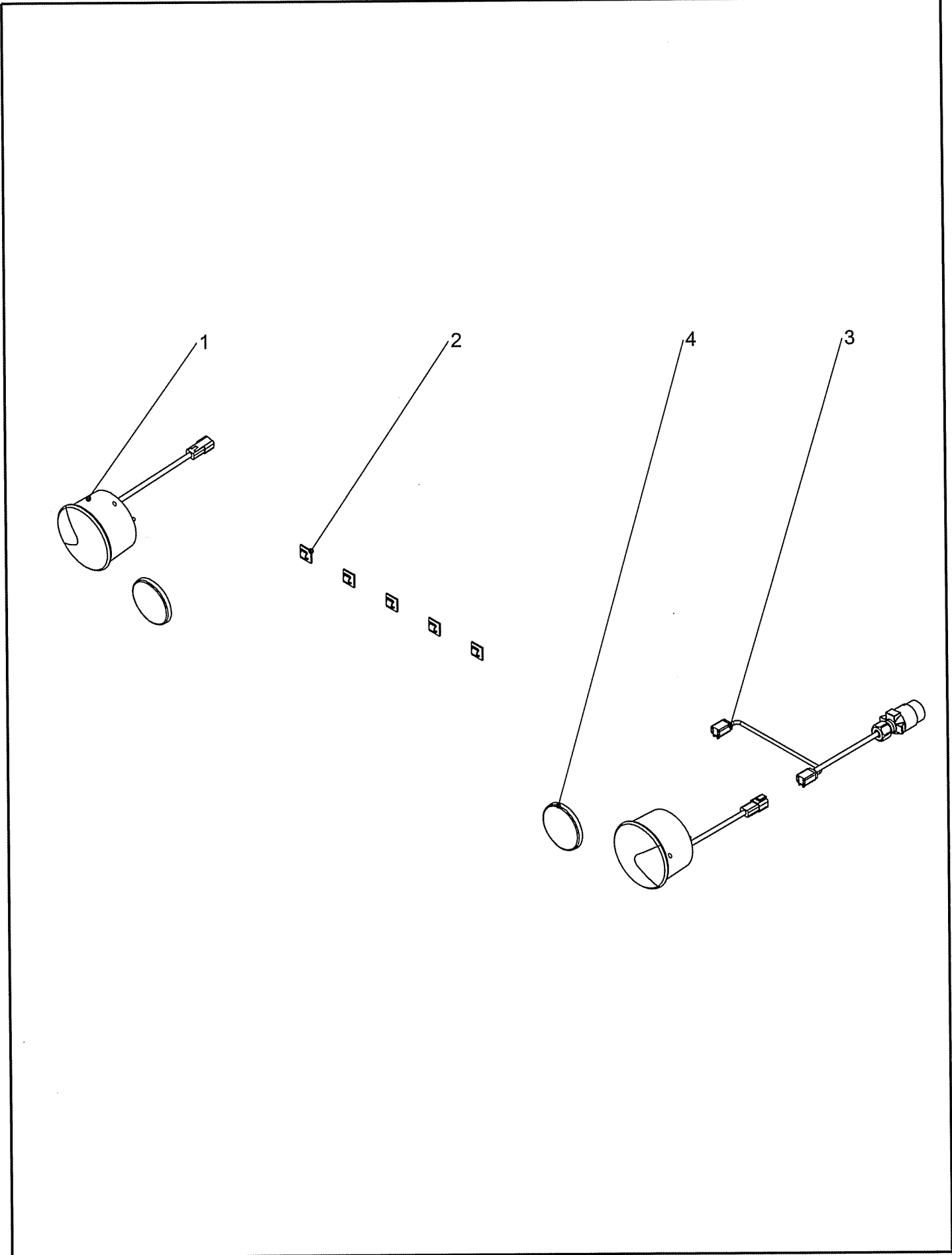


**77.137.06 DECALS MARKETING 65 9392**

45645.01	DECAL - BOMFORD (72MM FONT)	1
45645.02	DECAL - BOMFORD (50MM FONT)	1
46761.01	DECAL - BUZZARD (TYPE 1)	2

**77.138.01 DECALS ENGINEERING 8852**

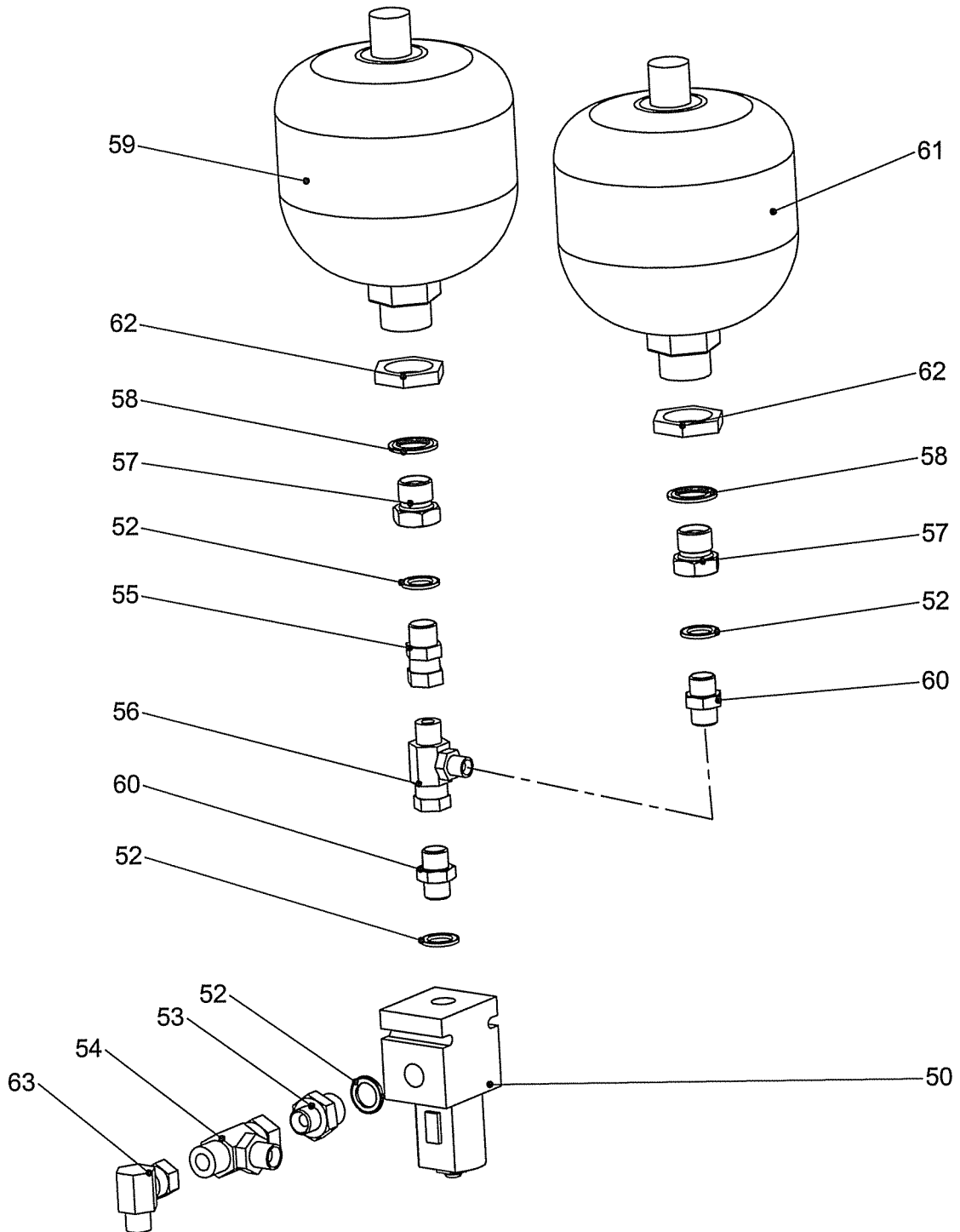
08.632.01	DECAL - TRANSPORT	1
09.811.04	DECAL - MAX PTO SPEED 540 ACW	1
09.821.28	DECALS-EURO DECAL MINIATURISED	1
09.821.32	DECALS-EURO DECAL MINIATURISED	1
09.821.33	DECALS-EURO DECAL MINIATURISED	1
09.821.34	DECALS-EURO DECAL MINIATURISED	1
09.843.06	DECAL - LIFT POINT 1500 KG	1
09.845.01	DECAL - APPROVED OILS	1
09.846.02	DECAL - OIL FILTER CHANGE	1
46681.01	DECAL - LEG POSITION WHEN PARK	1



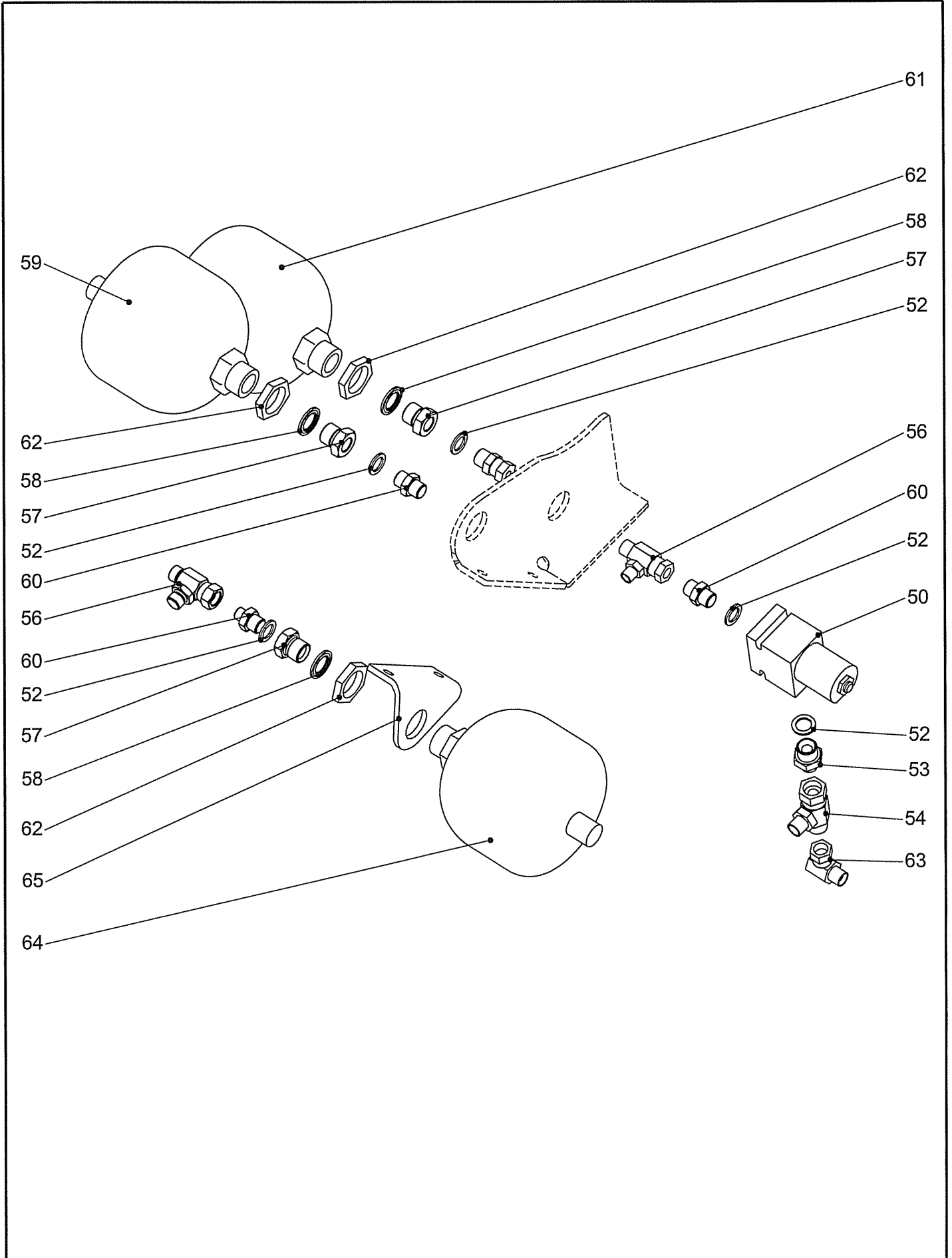


---

REF	PART NO.	DESCRIPTION	QTY
<b>45662.05/06 LIGHTING KIT RH/LH (BUZZARD)</b>			
01	05.281.10	FLAT WASHER 6MM PLATED	4
01	05.282.07	SPRING WASHER 6MM PLATED	4
01	05.286.10	NUT M6 PLATED	4
01*	45326.01	LIGHT UNIT	2
02	43357.01	CABLE CLIP – SELF ADHESIVE	10
03	45594.06	WIRING LOOM RH	1
03	45994.05	WIRING LOOM LH	1
04	45661.03	REFLECTOR SELF ADHESIVE	2



REF	PART NO.	DESCRIPTION	QTY
<b>76.206.07 ARM FLOAT CIRCUIT 9392</b>			
50	08.619.09	VALVE - SOLENOID	1
50	08.619.25	SEAL KIT	0
51	46139.01	LOOM ARM FLOAT DCU	1
52	05.290.04	BONDED SEAL 3/8"BSP	4
53	05.123.01	ADAPTOR 1/2" BSP X 3/8" BSP	1
54	04.056.48	ADAPTOR - TEE 1/2F-3/8M-1/2M	1
55	02.714.01	ADAPTOR-SWIVEL ST 3/8BSP M/F	1
56	11.068.69	ADAPTOR-TEE 3/8F-3/8M+3/8M	1
57	8581284	ADAPTOR M22 X 3/8"BSP MF	2
58	8650322	M22 BONDED SEAL	2
59	41715.02	ACCUMULATOR - 1.4LT (20 BAR)	1
60	05.124.01	ADAPTOR 3/8" BSP X 3/8" BSP	2
61	41715.01	ACCUMULATOR - 1.4LT (40 BAR)	1
62	8126035	M33 BULKHEAD NUT 'THIN'	2
63	05.835.01	ADAPTOR-SWIVEL 90 3/8"BSP M/F	1



REF	PART NO.	DESCRIPTION	QTY
<b>76.206.08 ARM FLOAT CIRCUIT - BUZZARD 8</b>			
50	08.619.09	VALVE - SOLENOID	1
50	08.619.25	SEAL KIT	0
51	46139.01	LOOM ARM FLOAT DCU (NOT ILLUSTRATED)	1
52	05.290.04	BONDED SEAL 3/8"BSP	5
53	05.123.01	ADAPTOR 1/2" BSP X 3/8" BSP	1
54	04.056.48	ADAPTOR - TEE 1/2F-3/8M-1/2M	1
55	02.714.01	ADAPTOR-SWIVEL ST 3/8BSP M/F	1
56	11.068.69	ADAPTOR-TEE 3/8F-3/8M+3/8M	2
57	8581284	ADAPTOR M22 X 3/8"BSP MF	3
58	8650322	M22 BONDED SEAL	3
59	41715.02	ACCUMULATOR - 1.4LT (20 BAR)	1
60	05.124.01	ADAPTOR 3/8" BSP X 3/8" BSP	3
61	41715.01	ACCUMULATOR - 1.4LT (40 BAR)	1
62	8126035	M33 BULKHEAD NUT 'THIN'	3
63	05.835.01	ADAPTOR-SWIVEL 90 3/8"BSP M/F	1
64	8126043	ACCUMULATOR - 1.4LT (90 BAR)	1
65	46935.01	PLATE, ACCUMULATOR	1
65	05.264.12	SETSCREW M10 X 25MM	2
65	05.282.02	SPRING WASHER 10MM	2
65	05.286.02	NUT M10	2