

PM1786
BANDIT
1800 & 2250
FLAIRMOWER
Parts Manual
Issue 10

IMPORTANT

NOTE HERE THE SERIAL NUMBER OF YOUR MACHINE AND ALWAYS QUOTE IT IN ANY COMMUNICATION WITH US OR YOUR DEALER. THIS IS PARTICULARLY IMPORTANT WHEN ORDERING SPARES. REMEMBER TO INCLUDE ALL NUMBERS AND LETTERS.

MACHINE SERIAL NUMBERS _____

THE INFORMATION GIVEN THROUGHOUT THIS MANUAL IS CORRECT AT THE TIME OF PUBLICATION. HOWEVER, IN THE COURSE OF CONSTANT DEVELOPMENT OF BOMFORD TURNER MACHINES, CHANGES IN SPECIFICATION ARE INEVITABLE. SHOULD YOU FIND THE INFORMATION GIVEN IN THIS BOOK TO BE AT VARIANCE WITH THE MACHINE IN YOUR POSSESSION, YOU ARE ADVISED TO CONTACT THE BOMFORD TURNER SERVICE DEPARTMENT WHERE UP-TO-DATE INFORMATION WILL BE PROVIDED.

THE MANUAL CAN CONTAIN STANDARD AND OPTIONAL FEATURES AND IS NOT TO BE USED AS A MACHINE SPECIFICATION.

THE MACHINE HAS BEEN TESTED AND IS CONSIDERED SAFE IF CAREFULLY USED. ENSURE YOUR OPERATOR IS PROPERLY TRAINED IN ITS USE AND MAINTENANCE.

IMPORTANT

NOTEZ ICI LES NUMEROS DE SERIE DE VOTRE MACHINE ET MENTIONNEZ LES DANS TOUTE COMMUNICATION AVEC NOS SERVICES OU VOTRE REVENDEUR. CECI EST IMPORTANT POUR LA COMMANDE DE PIECES DETACHEES. PENSEZ A NOTER TOUS LES NUMEROS ET TOUTES LES LETTERS.

NUMEROS DE SERIE DE LA MACHINE _____

LES INFORMATIONS DONNEES DANS CE MANUEL SONT CORRECTES CEPENDANT, DU FAIT DE DEVELOPPEMENT CONSTANT DES MACHINES BOMFORD TURNER.

CHANGEMENTS DANS LES CARACTERISTIQUES SONT INEVITABLES.

SI VOUS TROUVEZ QUE LES INFORMATIONS DONNEES NE CORRESPONDENT PAS A VOTRE MACHINE VEUILLEZ CONTACTER LE SERVICE DES REPARATIONS OU DES INFORMATIONS PLUS RECENTES VOUS SERONT DONNEES. CE MANUEL PEUT MONTRER DES CARACTERISTIQUES OPTIONNELLES ET NE PEUT PAS ETRE CONSIDERE COMME SPECIFICATION DE LA MACHINE.

CETTE MACHINE A ETE TESTEE, ET ELLE EST CONSIDEREE COMME FIABLE A CONDITION D'UNE BONNE UTILISATION. ASSUREZ-VOUS QUE VOTRE OPERATEUR EST QUALIFIE EN CE QUI CONCERNE L'UTILISATION DE LA MACHINE AINSI QUE SON ENTRETIEN.

WICHTIG

TRAGEN SIE HIER DIE SERIENNUMMERN IHRER MASCHINE EIN UND GEBEN SIE DIESE IMMER AN, WENN SIE SICH AN UNS ODER IHREN HÄNDLER WENDEN. DAS IST BESONDERS BEI ERSATZTEILBESTELLUNGEN WICHTIG. VERGESSEN SIE NICHT, ALLE ZAHLEN UND BUCHSTABEN ZU NOTIEREN.

SERIENNUMMERN DER MASCHINE _____

DIE ANGABEN INDIESEM HANDBUCH SIND BEI VERÖFFENTLICHUNG KORREKT. AUFGRUND DER KONSTANTEN WEITERENTWICKLUNG VON BOMFORD TURNER MASCHINEN SIND JEDOCHÄNDERUGDEN IN DER SPEZIFIKATION UNVERMEIDLICH. WENN DIE INFORMATION IN DIESEM HANDBUCH NICHT MIT IHRER MASCHINE ÜBEREINSTIMMEN, NEHMEN SIE BITTE KONTAKT MIT DER BOMFORD TURNER KUNDENDIENSTABTEILUNG AUF, DIE IHNEN GERNE DIE AKTUELLEN INFORMATION ZUKOMMEN LÄSST.

DAS HANDBUCH KANN SOWOHL BESCHREIBUNGEN FÜR DIE STANDARD AUSFÜHRUNG ALS AUCH FÜR ZUBEHÖR ENTHALTEN UND IST NICHT ALS MASCHINENSPEZIFIKATION ZU VERWENDET.

DIE MASCHINE IST GETESTET UND BEI SACHGEMÄSSEM BETRIEB ALS SICHER BEFUNDEN WORDEN. SORGEN SIE DAFÜR, DASS IHR BEDIENPERSONAL IN ANWENDUNG UND WARTUNG RICHTIG GESCHULT WIRD.



TECHNICAL BULLETIN

cmb

Issue Date:- 6th November 2007

TECHNICAL BULLETIN ECN 10736

FOR THE ATTENTION OF THE SERVICE MANAGER

PRODUCT:- Bandit Rear Mounted Flail Mower
MODEL:- B1800 and 2250
COMPONENT AFFECTED:- Hiton Gearbox Part Number
SUBJECT:- Comer Gearbox Replacement Kit Part No **48014.01**

DESCRIPTION OF CHANGE:-

Due to a supply difficulty it has become necessary to replace the original Hiton gearboxes on the above Bandit models with a Comer equivalent. Likewise the availability of parts, other than seal kits, are no longer made.

For instances where a complete gearbox is thought necessary we have produced a retro replacement kit, part numbered above.

Briefly the kit consists of a new Comer gearbox along with a gearbox adaptor plate. The drive shaft has been replaced with a new drive shaft along with double bearing support for the primary drive pulley. New drive guarding is supplied along with the rear "A" frame slide unit. Extra cut outs are required in this "A" frame due to the larger Comer gearbox.

Kits may be ordered in the usual manner through our parts department.

Expected Introduction Date:- September 2007
(Serial Number if Known)

C M Blackbrough
Service Manager



TECHNICAL BULLETIN

cmb

Issue Date:- 15th July 08

TECHNICAL BULLETIN ECN 11022

FOR THE ATTENTION OF THE SERVICE MANAGER

PRODUCT:- Rear Three Point Linkage Flail Mower

MODEL:- Bandit 2250, all models.

COMPONENT AFFECTED:- Hiton Gearbox part number 04.400.01, 04.400.21, 04.400.26 and 04.400.27

SUBJECT:- Change to Comer Gearbox part number 47373.01(Kit Number 48014.01)

DESCRIPTION OF CHANGE:-

Supplies difficulties of gearboxes have forced us to change the gearbox on the Bandit 2250 to a Comer design. New machines have been altered to accommodate this change. Customers wishing to replace their existing gearboxes may do so by purchasing a service kit, part number 48014.01. Details of these changes are detailed on the attached pdf document attached to this e-mail.

Should there be any questions concerning this change then you should contact the Bomford Turner Service Department.

Expected Introduction Date:-
(Serial Number if Known)

January 2008

C M Blackbrough
Service Manager

PL 1962: SERVICE KIT COMER GEARBOX

FITTING INSTRUCTIONS:

This kit (48014.01) provides all the necessary equipment to replace the Hiton gearbox fitted to the machine with a Comer alternative.

Below shows the machine fitted with 1) Hiton gearbox, 2) Mainframe stay, 3) Bearing assembly, 4) Drive shaft, 5) PTO single joint assembly, 6) Drive shaft guard mounting plate and 7) Drive shaft guard.

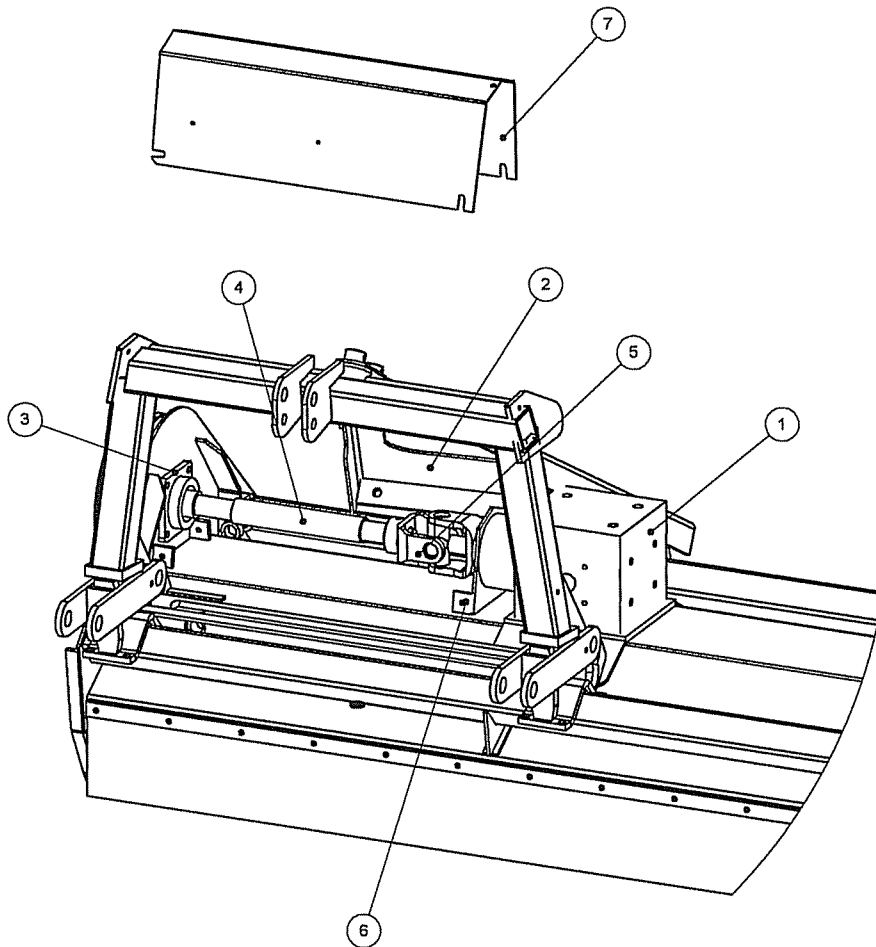


Figure 1: Bandit 2250 fitted with Hiton gearbox.

Instructions to remove Hiton gearbox:

1. Remove mainframe stay (Item 2) by removing the two M16 setscrews and nuts.
2. Remove drive shaft guard (Item 7) by removing all four M10 setscrews, spring and flat washers and lifting off.
3. Remove Hiton gearbox (Item 1) from machine.
4. Remove belt drive guard from side of machine in order to remove taper-lock and upper pulley.
5. Remove bearing assembly (Item 3) by removing all four M12 setscrews, washers and nuts.
6. Remove drive shaft (Item 4) along with PTO single joint assembly (Item 5).
7. All components are removed and machine is now ready to be fitted with Comer alternative.

PL 1962: SERVICE KIT COMER GEARBOX

Below shows the machine fitted with 1) Comer gearbox, 2) Mainframe stay, 3) Bearing assembly, 4) Drive shaft, 5) Drive shaft guard mounting plate, 6) Drive shaft guard, 7) Shaft – drive and 8) Gearbox mounting plate.

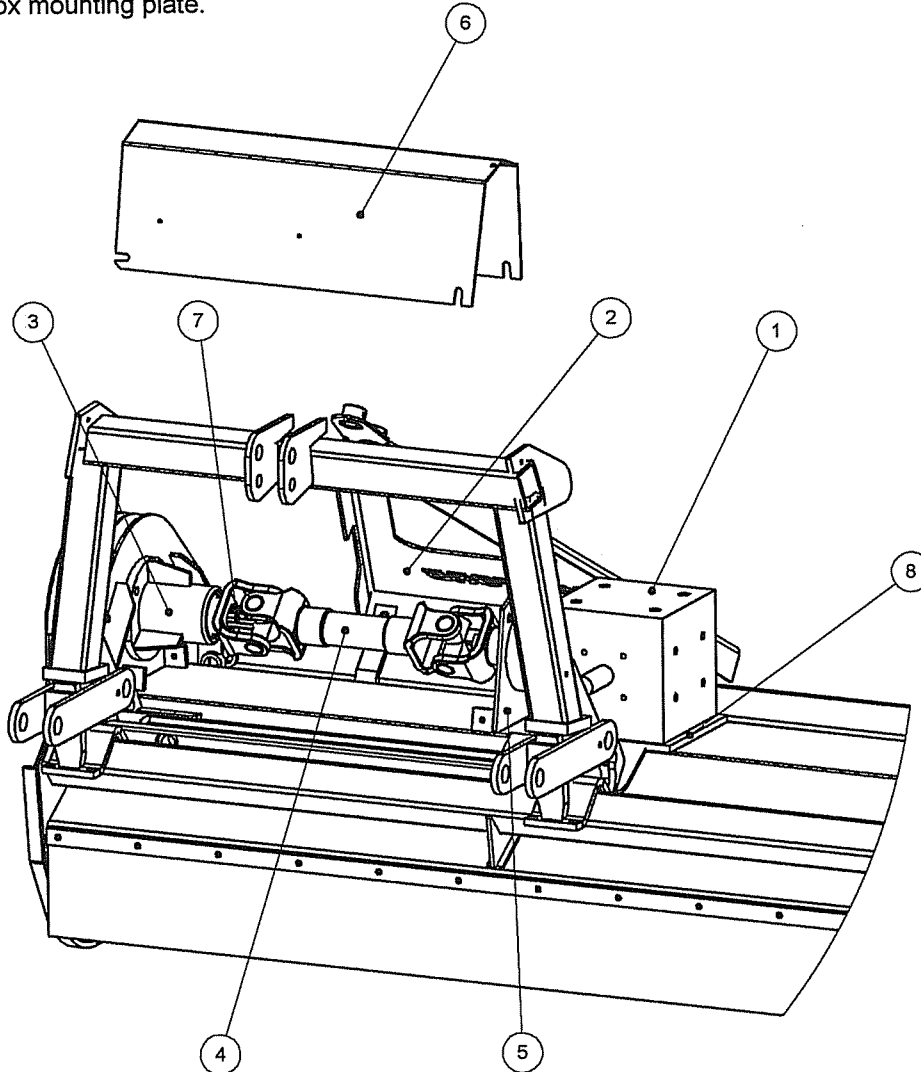


Figure 2: Bandit 2250 fitted with Comer gearbox.

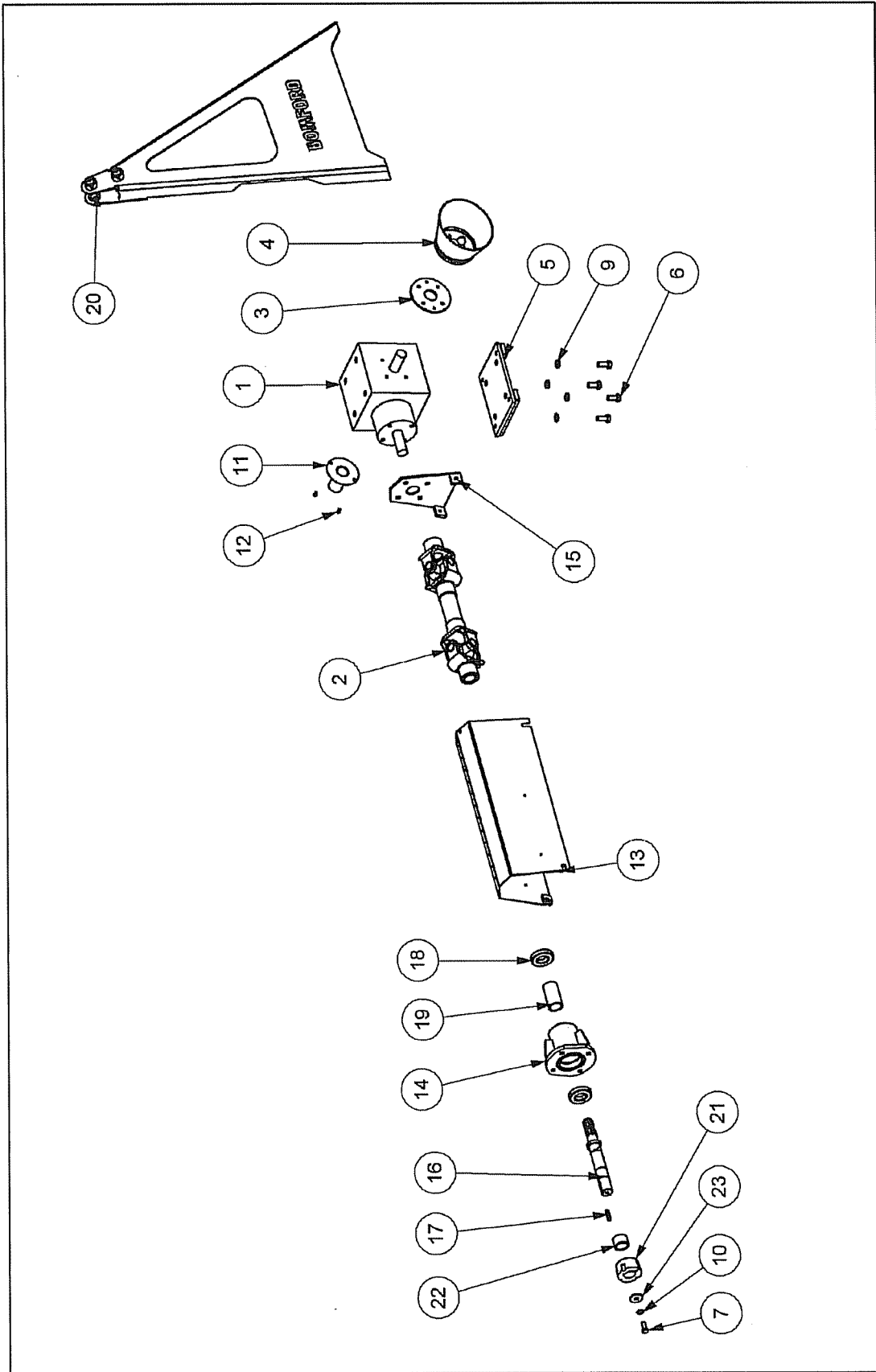
Instructions to fit Comer gearbox:

1. Fit new mainframe stay (Item 2) with the two M16 setscrews and nuts.
2. Fit new gearbox mounting plate (Item 8) to Comer gearbox (Item 1) with M16 setscrews and washers provided.
3. Fit Comer gearbox and gearbox mounting plate to machine.
4. Fit drive shaft guard bracket (Item 5) to Comer gearbox (Item 1).
5. Fit bearing assembly (Item 3) and shaft-drive (Item 7) to machine.
6. Fit drive shaft (Item 4) to Comer gearbox (Item 1) and shaft-drive (Item 7).
7. Fit drive shaft guard (Item 6) over entire drive train and attach to machine.
8. Fitting of Comer gearbox service kit is complete.

NOTE: For greasing instructions see IM 1793 supplied with machine.

PL 1962: SERVICE KIT COMER GEARBOX

SERVICE KIT COMER GEARBOX
48014.01 REV: A



PL 1962: SERVICE KIT COMER GEARBOX

SERVICE KIT COMER GEARBOX

48014.01 REV : A

ITEM NO.	PART NUMBER	DESCRIPTION	QTY.
1	47373.01	GEARBOX T-290A	1
2	47436.02	SHAFT - DRIVE	1
3	46498.01	PLATE - GUARD PTO	1
4	08.548.01	GUARD - PLASTIC PTO	1
5	46567.01	BRACKET - GEARBOX MOUNTING	1
6	05.264.34	SETSCREW M16x35	4
7	05.264.23	SETSCREW M12x30	1
8	05.264.22	SETSCREW M12x25	4
9	05.282.04	SPRING WASHER M16	4
10	05.282.03	SPRING WASHER M12	5
11	42668.02	GUARD - GEARBOX SHAFT	1
12	30.068.95	SCREW M8 X 12	2
13	42791.02	GUARD - DRIVE SHAFT	1
14	46578.01	BRACKET - DRIVE SHAFT	1
15	46504.01	BRACKET - DRIVE SHAFT GUARD	1
16	41730.04	SHAFT - DRIVE	1
17	05.960.16	KEY-S/REP 12X8X40	2
18	03.007.00	BALL JOURNAL BEARING	2
19	41.258.01	SPACEER 50 O/D x 40.2 I/D - 94	1
20	42738.04	STAY - MAINFRAME	1
21	05.424.18	TAPERLOCK 40 DIA (2517)	1
22	46646.01	SPACER - DRIVE SHAFT	1
23	05.234.01	WASHER 44.5x13x5 PLATED	1

BANDIT B1800 & B2250 TRAILED MOWER

PAGE AND ILLUSTRATION NUMBERS ARE USED ONLY FOR REFERENCE PURPOSES AND SHOULD NOT BE USED FOR ORDERING SPARE PARTS. PLEASE ENSURE THE CORRECT PART NUMBER AND DESCRIPTION IS GIVEN WHEN ORDERING SPARE PARTS.

FOR MACHINES WITH SERIAL NUMBERS COMMENCING FROM ...3295J/98.....

PAGE NO.	TITLE
MODEL B1800	
2-1 TO 2-2	COWL & ROLLER ASSEMBLY
3-1 TO 3-3	FRONT FRAME & RAM ASSEMBLY
4-1 TO 4-3	DRIVE SHAFT & GEARBOX ASSEMBLY
5-1 TO 5-3	ROTOR SHAFT & BEARING ASSEMBLY
6-1 TO 6-2	DECALS
7-1 TO 7-2	
MODEL B2250	
8-1 TO 8-2	COWL & ROLLER ASSEMBLY
9-1 TO 9-3	FRONT FRAME & RAM ASSEMBLY
10-1 TO 10-3	DRIVE SHAFT & GEARBOX ASSEMBLY
11-1 TO 11-3	ROTOR SHAFT & BEARING ASSEMBLY
12-1 TO 12-2	DECALS
13-1 TO 13-2	CASTOR WHEEL ASSEMBLY (REAR MOUNTED)
14-1 TO 14-2	CASTOR WHEEL ASSEMBLY (FRONT MOUNTED)
15-1 TO 15-2	RAM ASSEMBLY
16-1 TO 16-2	GEARBOX ASSEMBLIES

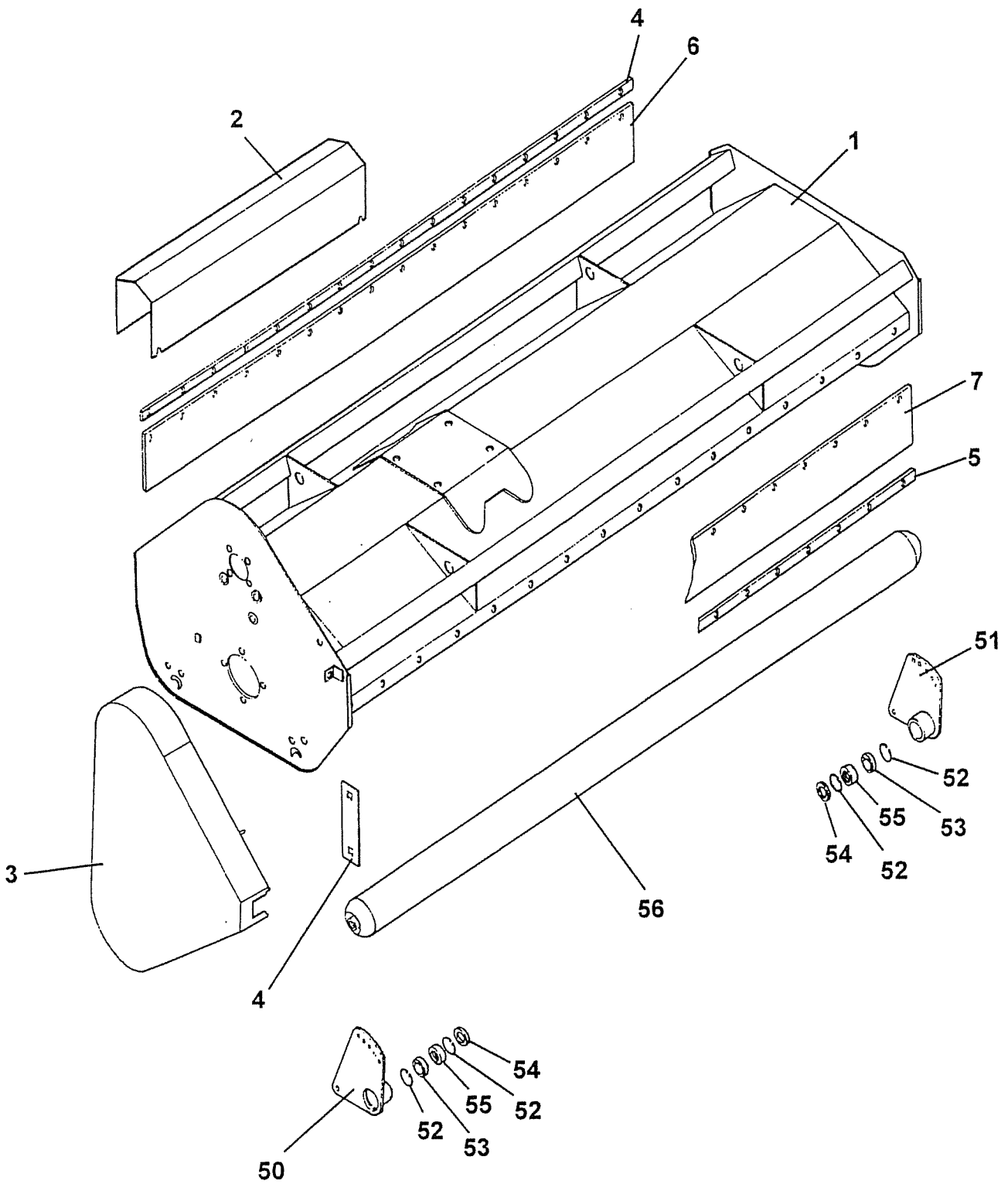
IMPORTANT

THIS MACHINE IS DESIGNED FOR VEGETATION CONTROL
AND MUST NOT BE USED FOR ANY OTHER PURPOSE

IT IS POTENTIALLY HAZARDOUS TO FIT OR USE
ANY PARTS OTHER THAN GENUINE BOMFORD TURNER PARTS

THE COMPANY DISCLAIMS ALL LIABILITY FOR THE
CONSEQUENCES OF SUCH USE, WHICH IN ADDITION
VOIDS THE MACHINE WARRANTY

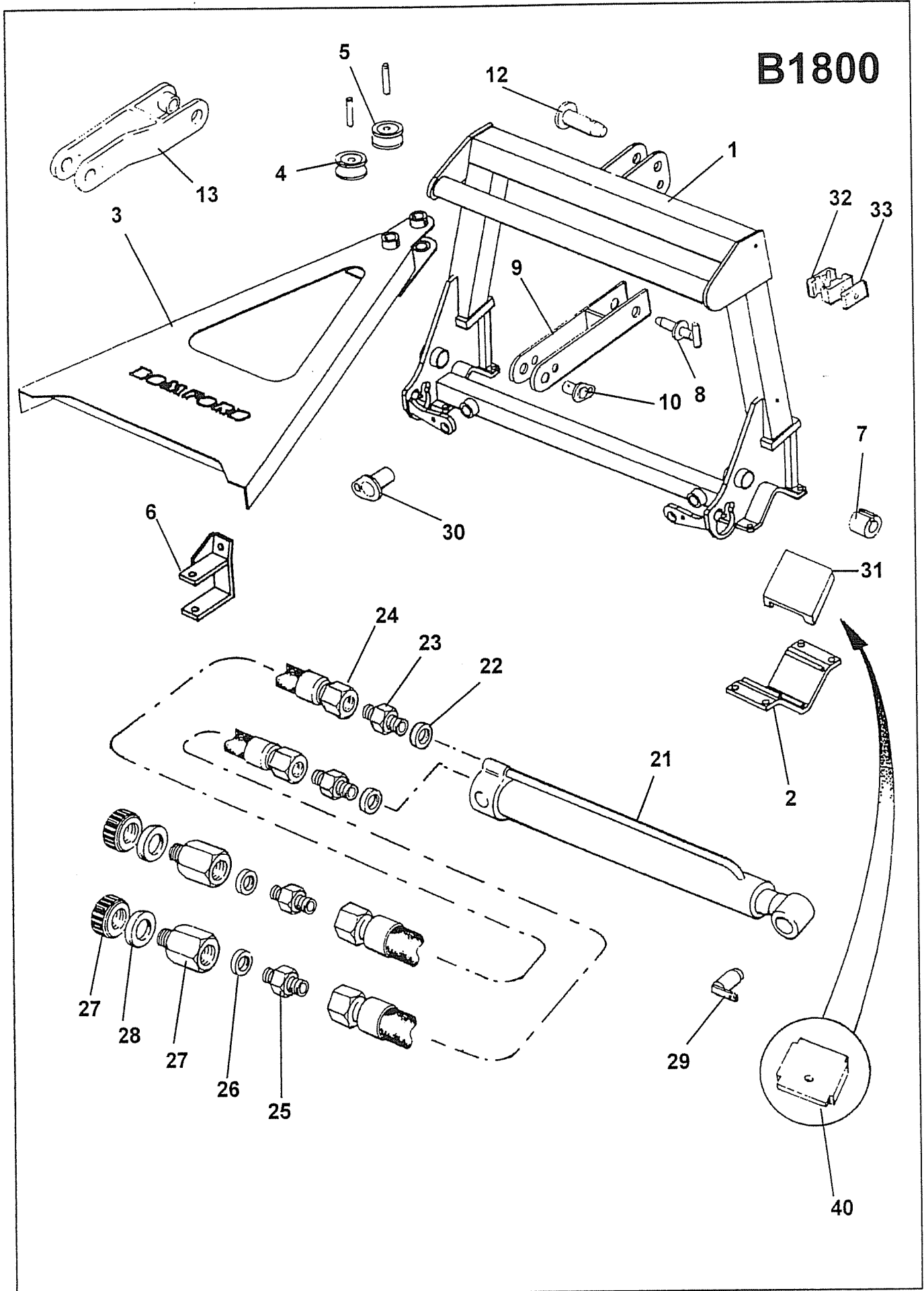
B1800



REF	PART NO	DESCRIPTION	QTY
76.537.02/04 COWL ASSEMBLY 1800			
01	04.282.06	STUD M12 X 55MM PLATED	4
01	05.227.01	HAMMER DRIVE SCREW NO.6 X 3/8"	2
01	05.281.03	FLAT WASHER 12MM PLATED	4
01	05.774.06	SERIAL NO.PLATE BOMFORD TURNER	1
01	05.968.03	SELF LOCKING NUT M12 (FINE)	4
*01	42755.03	COWL - 1800 RH DRIVE	1
01	42755.04	COWL - 1800 LH DRIVE	1
02	05.264.11	SETSCREW M10 X 20MM PLATED	4
02	05.281.02	FLT WASHER 10MM PLATED FORM C	4
02	05.282.02	SPRING WASHER 10MM PLATED	4
*02	42791.01	GUARD - DRIVE SHAFT	1
*03	04.384.06	GUARD - DRIVE RH	1
03	04.384.05	GUARD - DRIVE LH	1
03	05.282.03	SPRING WASHER 12MM PLATED	2
03	05.286.03	NUT M12 PLATED	1
03	05.264.21	SETSCREW M12 X 20MM PLATED	4
04	05.282.03	SPRING WASHER 12MM PLATED	4
04	05.286.03	NUT M12 PLATED	4
04	05.839.26	BOLT CUP SQ M12 X 30 (PLATED)	4
*04	42747.01	CLAMP - GUARD	2
05	05.287.01	SELF-LOCKING NUT M8 PLATED	26
*05	42742.02	STRIP - BACKING 1800	2
05	9293054	BOLT CUP SQUARE M8 X 25 (PLATE)	26
06	42744.02	GUARD - FLEXIBLE FRONT 1800	1
07	42743.02	GUARD - FLEXIBLE REAR 1800	1
76.540.02 ROLLER ASSEMBLY 1800			
50	05.282.03	SPRING WASHER 12MM PLATED	3
50	05.286.03	NUT M12 PLATED	3
50	05.839.26	BOLT CUP SQ M12 X 30 (PLATED)	3
*50	42790.01	BRACKET - ROLLER 150 LH	1
51	05.282.03	SPRING WASHER 12MM PLATED	3
51	05.286.03	NUT M12 PLATED	3
51	05.839.26	BOLT CUP SQ M12 X 30 (PLATED)	3
*51	42790.02	BRACKET - ROLLER RH	1
52	05.959.05	CIRCLIP - INT 62MM DIA	4
53	42954.01	BEARING - D/ROW BALL 30MM BORE	2
54	04.164.04	SEAL-LIP 40DIA X 10MM	2
55	05.953.01	GREASE NIPPLE M6	4
*55	41851.01	CAP - BEARING RETAINER	2
56	05.234.01	WASHER 44.5 X 13 X 5MM PLATED	2
56	05.282.03	SPRING WASHER 12MM PLATED	2
56	05.625.10	SKT CAPSCRW M12 X 30DOME HD PLT	2
*56	42995.13	ROLLER 150 DIA - 1800	1

*MAIN PART IN GROUP, RELATED PARTS HAVE SAME REFERENCE NUMBER

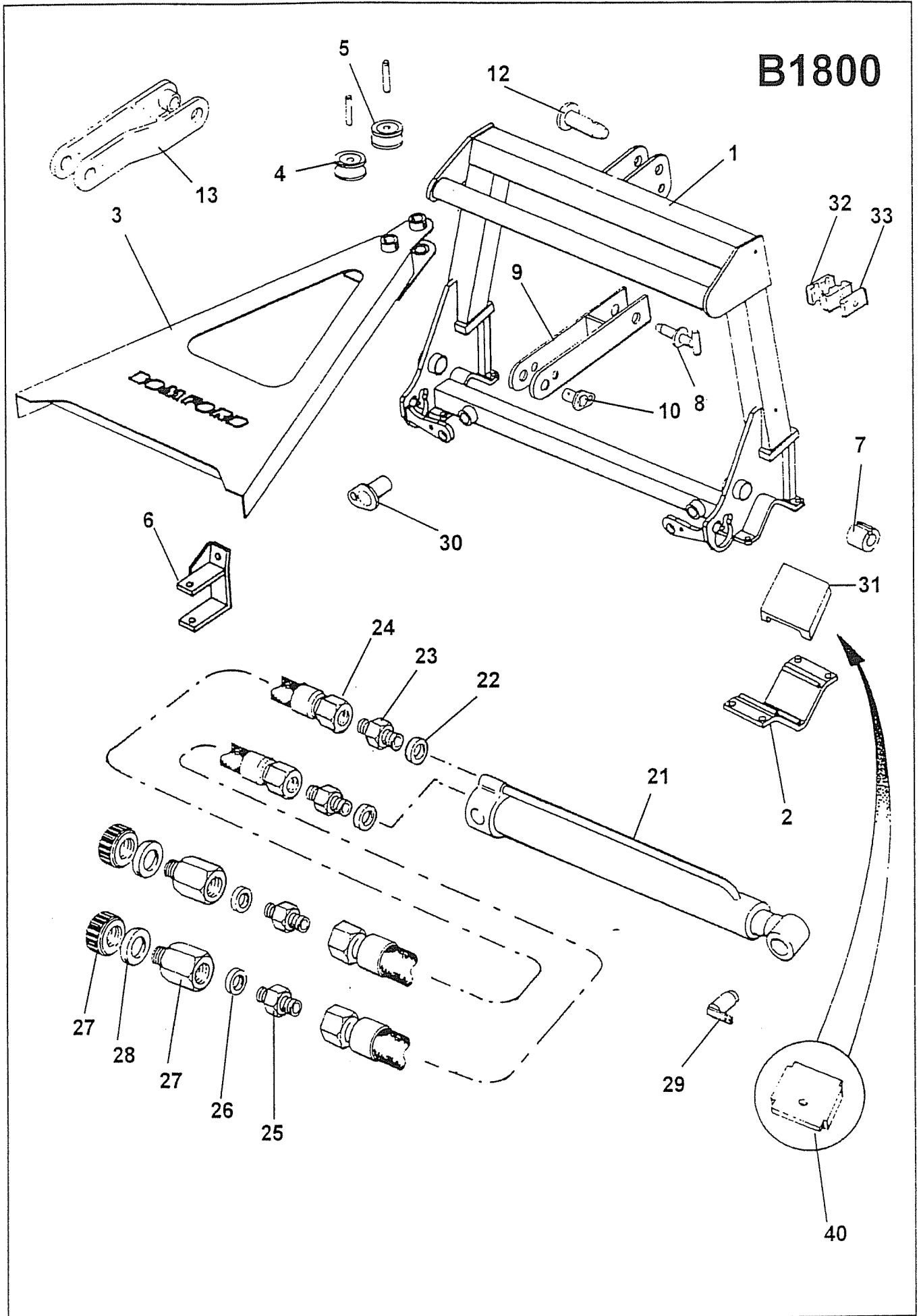
B1800



REF	PART NO	DESCRIPTION	QTY
76.538.01 FRONT FRAME ASSEMBLY			
01	42907.01	FRAME - FRONT	1
02	05.282.03	SPRING WASHER 12MM PLATED	8
02	05.287.03	NUT M12 SELF-LOCKING PLATED	8
02	05.291.24	BOLT M12 X 45MM PLATED	8
*02	42906.01	PLATE - CLAMPING	1
02	42906.02	PLATE - CLAMPING	1
03	05.283.04	SHAKEPROOF WASHER 16MM PLATED	2
03	05.286.04	NUT M16 PLATED	4
03	05.287.04	SELF-LOCKING NUT M16 PLATED	2
*03	42738.01	STAY - MAINFRAME	1
03	9313167	SETSCREW M16 X 80MM PLATED	2
04	42447.01	SUPPORT WHEEL	2
05	05.287.01	SELF-LOCKING NUT M8 PLATED	2
05	05.291.05	BOLT M8 X 50MM PLATED	2
*05	42753.01	PIN 1" DIA X 112	2
06	05.282.03	SPRING WASHER 12MM PLATED	2
06	05.286.03	NUT M12 PLATED	2
*06	05.292.24	BOLT M12 X 110MM PLATED	2
06	42752.01	CLAMP - REAR	2
07	02.771.07	TENSION BUSH 38 X 30 X 50	2
08	00.372.01	LINCH PIN	2
08	06.318.01	PIN-1.1/8" DIA X 103	2
09	04.392.01	LINK - "A" FRAME	2
*10	03.654.07	PIN 30 DIA X 78MM	2
10	04.175.01	STUD M10 X 29MM	2
10	05.234.01	WASHER 44.5 X 13 X 5MM PLATED	2
10	05.264.22	SETSCREW M12 X 25MM PLATED	2
10	05.281.02	FLAT WASHER 10MM PLATED FORM C	2
10	05.282.02	SPRING WASHER 10MM PLATED	2
10	05.953.03	GREASE NIPPLE M10	2
10	05.968.02	SELF LOCKING NUT M10 (FINE)	2
12	42250.01	PIN - CAT II	1
12	00.372.01	LINCH PIN	1
13	43024.01 ▲	LINK 'A' FRAME (FRONT MOUNT)	2

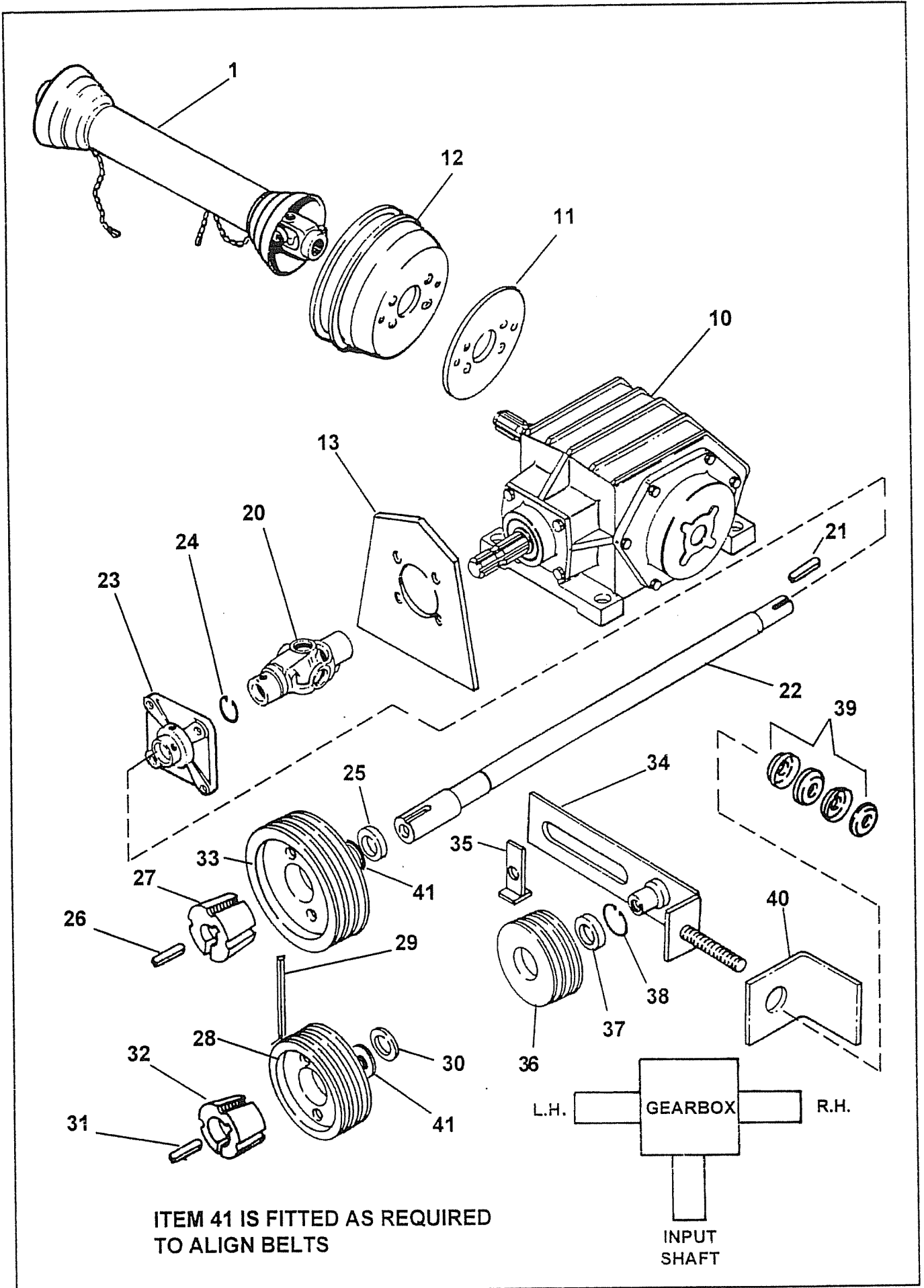
▲ ALTERNATIVE PART FOR TRACTORS WITH FIXED WIDTH FRONT LINKAGE

*MAIN PART IN GROUP, RELATED PARTS HAVE SAME REFERENCE NUMBER



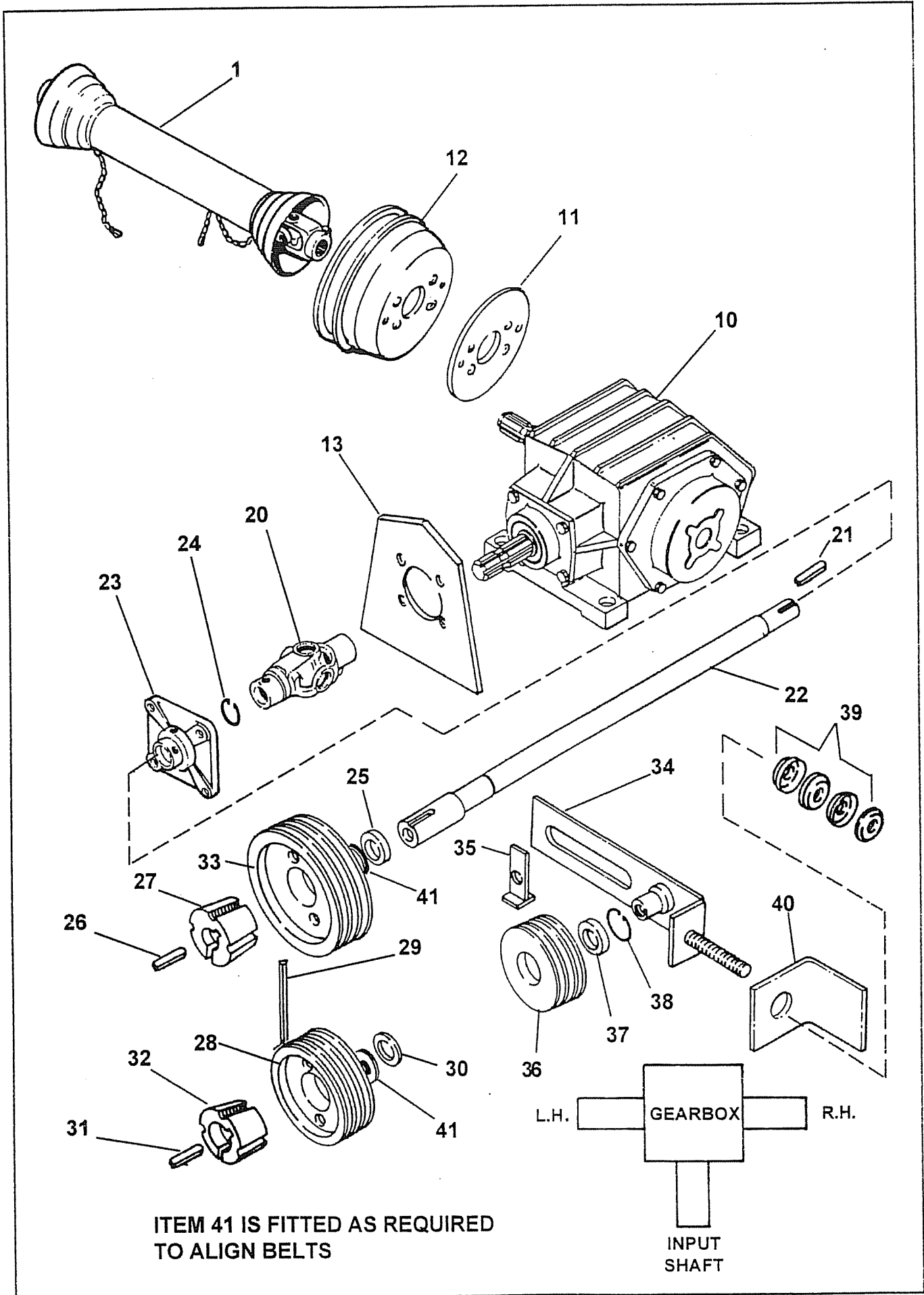
REF	PART NO	DESCRIPTION	QTY
76.539.01 RAM ASSEMBLY			
*21	09.987.07	RAM ASSY D/A 50 BORE X 700 STR	1
21	8699188	SEAL KIT FOR 09987 RAMS	-
22	05.290.02	BONDED SEAL 3/8"BSP	2
23	05.129.01	ADAPTOR 1/4"BSP X 1/4"BSP	2
24	10.001.30	HOSE 1/4"BSP ST X ST S.SEAL 2000	2
25	01.099.01	ADAPTOR 3/8" BSP X 1/4" BSP	2
26	05.290.04	BONDED SEAL 3/8"BSP	2
*27	05.225.01	ADAPTOR-RDCG.1/2"BSP X 3/8"BSP	2
27	05.300.03	PLUG-PLASTIC 1/2"BSP FEMALE	2
28	05.290.05	BONDED SEAL 1/2"BSP	2
*29	03.653.73	PIN 25 DIA X 68	1
29	05.264.11	SETSCREW M10 X 20MM PLATED	1
29	05.282.02	SPRING WASHER 10MM PLATED	1
*30	03.653.74	PIN 25 DIA X 110	1
30	05.264.12	SETSCREW M10 X 25MM PLATED	1
30	05.282.02	SPRING WASHER 10MM PLATED	1
31	42749.01	PAD - BEARING	8
*32	04.282.32	STUD M8 X 52	2
32	05.281.01	FLAT WASHER 8MM PLATED	2
32	05.282.01	SPRING WASHER 8MM PLATED	2
32	05.286.01	NUT M8 PLATED	2
32	06.430.02	CLAMP HOSE 14 X 14	4
33	06.418.02	CLAMP PLATE 30 X 6 PLATED	2
76.552.01 SPACER KIT FOR FRAME			
40	42795.01	SPACER - CLAMP FRAME	8

*MAIN PART IN GROUP, RELATED PARTS HAVE SAME REFERENCE NUMBER



REF	PART NO	DESCRIPTION	QTY
76.541.01 PTO SHAFT ASSEMBLY			
*01	41544.03	PTO SHAFT ASSY 685 MM C/C)	1
01	41544.96	CROSS JOURNAL SET) Up to Serial No.3160M/01	-
01	41544.78	COMPLETE SHIELD)	-
01	43602.01	PTO SHAFT ASSY 685 MM C/C)	1
01	43602.20	CROSS JOURNAL SET) From Serial No 3161M/01	-
01	43602.21	COMPLETE SHIELD)	-
76.542.01 GEARBOX ASSY REAR MOUNT			
*10	04.400.01	GEARBOX ASSEMBLY RH	1
10	04.400.21	GEARBOX ASSEMBLY LH	1
11	05.264.01	SETSCREW M8 X 20MM PLATED	4
11	05.282.01	SPRING WASHER 8MM PLATED	4
*11	42740.01	PLATE - PTO GUARD	1
12	05.281.01	FLAT WASHER 8MM PLATED	2
12	05.282.01	SPRING WASHER 8MM PLATED	2
12	30.068.95	SCREW M8 X 12 8.8 GRADE Z/P	2
*12	42741.01	GUARD - PTO	1
13	05.264.03	SETSCREW M8 X 30MM PLATED	4
13	05.282.01	SPRING WASHER 8MM PLATED	4
*13	42792.01	PLATE - DRIVE SHAFT GUARD	1
76.542.02 GEARBOX ASSY FRONT MOUNT			
*10	04.400.01	GEARBOX ASSEMBLY RH	1
10	04.400.21	GEARBOX ASSEMBLY LH	1
10	04.400.26	GEARBOX ASSEMBLY (<i>Reverse Rotation</i>)	1
11	05.264.01	SETSCREW M8 X 20MM PLATED	4
11	05.282.01	SPRING WASHER 8MM PLATED	4
*11	42740.01	PLATE - PTO GUARD	1
12	05.281.01	FLAT WASHER 8MM PLATED	2
12	05.282.01	SPRING WASHER 8MM PLATED	2
12	30.068.95	SCREW M8 X 12 8.8 GRADE Z/P	2
*12	42741.01	GUARD - PTO	1
13	05.264.03	SETSCREW M8 X 30MM PLATED	4
13	05.282.01	SPRING WASHER 8MM PLATED	4
*13	42792.01	PLATE - DRIVE SHAFT GUARD	1

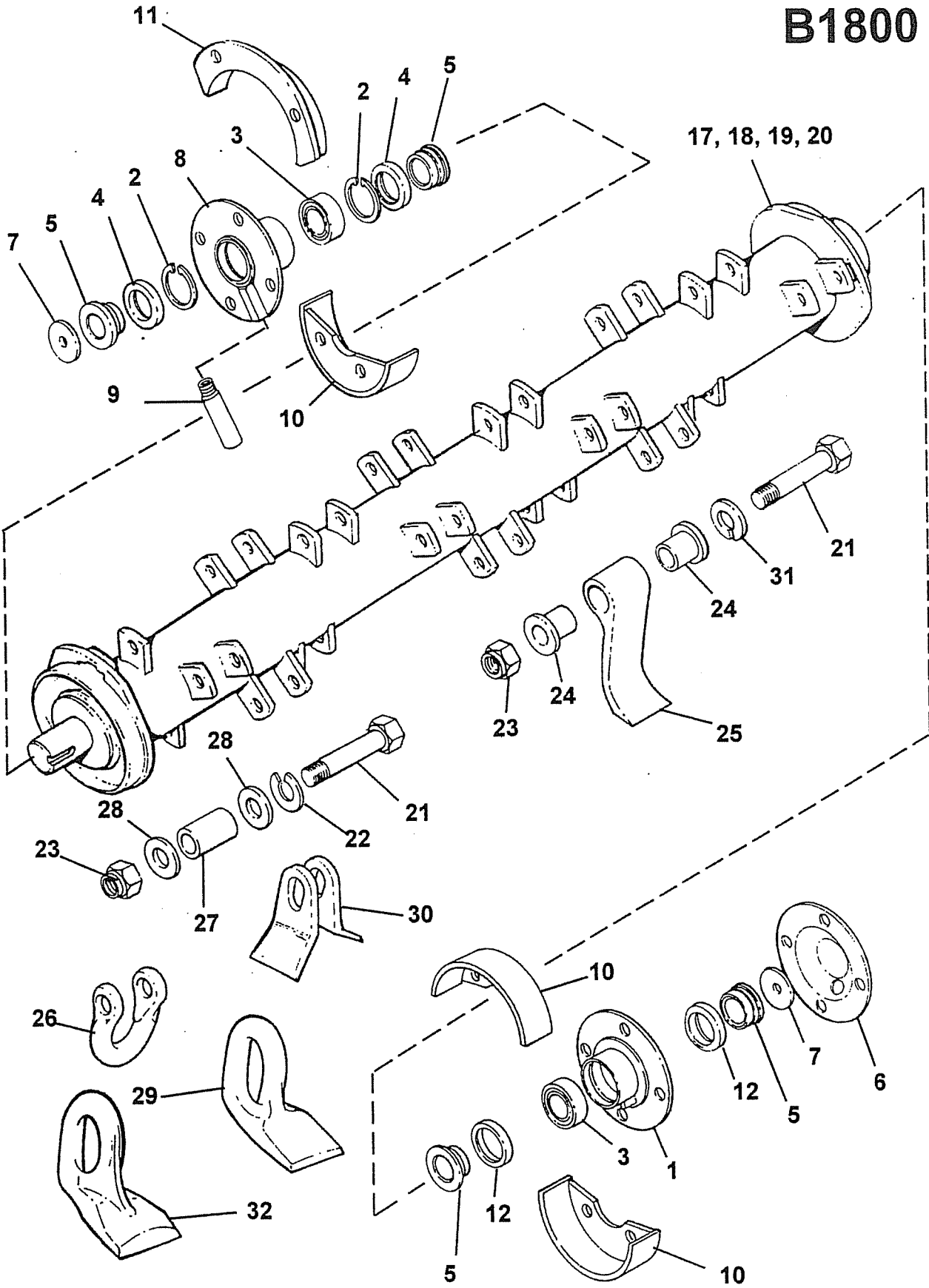
*MAIN PART IN GROUP, RELATED PARTS HAVE SAME REFERENCE NUMBER



REF	PART NO	DESCRIPTION	QTY
76.543.01 DRIVE ASSEMBLY			
20	01.266.06	PTO JOURNAL BEARING KIT 1300	-
*20	03.462.03	PTO SINGLE JOINT ASSY	1
20	05.288.04	NUT 1/2"UNF PLATED	1
20	05.929.01	SOCKET GRUBSCREW 1/2"UNF X 1"	1
21	01.071.14	KEY-SEP 3/8 X 5/16 X 2	1
22	04.252.01	WASHER 65 O/DX17 I/DX8MM	1
*22	04.390.01	SHAFT - DRIVE	1
22	05.264.33	SETSCREW M16 X 30MM PLATED	1
22	05.283.04	SHAKEPROOF WASHER 16MM PLATED	1
*23	03.008.01	BEARING ASSY - FLANGED 40 BORE	1
23	05.264.24	SETSCREW M12 X 35MM PLATED	4
23	05.282.03	SPRING WASHER 12MM PLATED	4
23	05.286.03	NUT M12 PLATED	4
24	05.959.04	CIRCLIP - EXT 40MM DIA	1
25	04.385.01	SPACER 55 O/D X 45.5 I/D X 36	1
26	05.960.13	KEY-S/REP 14MM X 9MM X 45MM	1
27	05.424.17	TAPER-LOCK 45MM BORE (2517)	1
28	04.451.01	PULLEY-VEE 236 P.C.D. 3 SPB	1
29	05.299.58	BELT-VEE XPB 1600, MATCHED SET	1
30	06.216.01	SPACER 55 O/D X 45.5 I/D X 9	1
31	05.960.13	KEY-S/REP 14MM X 9MM X 45MM	1
32	05.424.17	TAPER-LOCK 45MM BORE (2517)	1
33	04.451.03	PULLEY-VEE 315 P.C.D. 3 SPB	1
*34	04.399.01	BRACKET - IDLER PULLEY	1
34	05.234.01	WASHER 44.5 X 13 X 5MM PLATED	1
34	05.264.22	SETSCREW M12 X 25MM PLATED	1
34	05.282.03	SPRING WASHER 12MM PLATED	1
34	05.286.03	NUT M12 PLATED	2
*35	04.401.01	PLATE - BRACKET IDLER PULLEY	1
35	05.264.22	SETSCREW M12 X 25MM PLATED	1
35	05.282.03	SPRING WASHER 12MM PLATED	1
36	04.398.01	PULLEY-VEE 120MM P.C.D. 3 SPB	1
37	01.083.01	BEARING - BALL 3/4"BORE	2
38	01.072.02	CIRCLIP - INT 1.7/8"D	1
39	05.398.02	DISC-SPRG 12.2 I/D X 25 O/D PLTD	8
40	42929.02	STRAP-DISC ADJUSTMENT	1
41	06.216.02	SPACER 55 O/D X 45.5 I/D X 3.00	1

*MAIN PART IN GROUP, RELATED PARTS HAVE SAME REFERENCE NUMBER

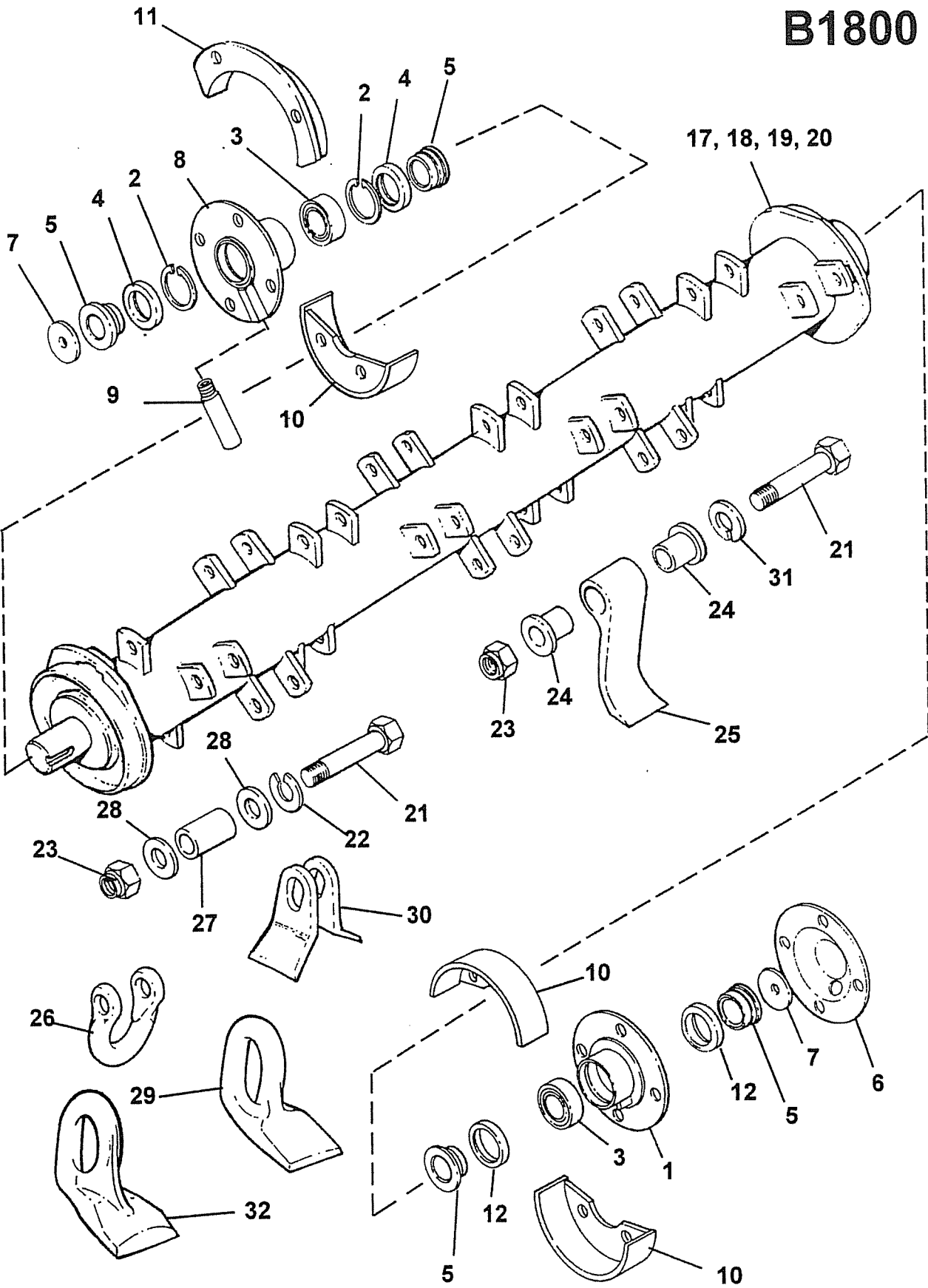
B1800



REF	PART NO	DESCRIPTION	QTY
76.545.02 ROTOR SHAFT ASSEMBLY 1800			
17	42751.02	ROTOR SHAFT ASSEMBLY AC	1
21	05.775.10	BOLT - SPECIAL M14 X 94MM	50
23	05.968.06	S.LOCKING NUT M14 (FINE) PLATE	50
24	09.894.01	COLLAR - PIVOT	100
25	42155.01	FLAIL-SINGLE EDGE (PRO-FLAIL)	50
31	05.282.04	SPRING WASHER 16MM PLATED	50
76.545.04 ROTOR SHAFT ASSEMBLY			
18	42751.04	ROTOR SHAFT ASSEMBLY AC	1
21	05.775.10	BOLT - SPECIAL M14 X 94MM	50
22	05.282.04	SPRING WASHER 16MM PLATED	50
23	05.968.06	S.LOCKING NUT M14 (FINE) PLATE	50
26	05.895.01	SHACKLE-FORGED	50
27	02.807.01	SPACER 1"O/D X 16MM I/D X 27MM	50
28	05.281.04	FLAT WASHER 16MM PLATED	100
29	02.959.01	FLAIL - FORGED	50
76.545.06 ROTOR SHAFT ASSEMBLY			
19	42751.06	ROTOR SHAFT ASSEMBLY	1
21	05.775.10	BOLT - SPECIAL M14 X 94MM	50
22	05.282.04	SPRING WASHER 16MM PLATED	50
23	05.968.06	S.LOCKING NUT M14 (FINE) PLATE	50
26	05.895.01	SHACKLE-FORGED	50
27	02.807.01	SPACER 1"O/D X 16MM I/D X 27MM	50
28	05.281.04	FLAT WASHER 16MM PLATED	100
30	41654.01	FLAIL - FLARED 51 X 8	100
76.545.11/12 ROTOR SHAFT ASSY B1800 7439			
20	42751.11	ROTOR SH. ASSY 4275601/4275001AC	1
20	42751.12	ROTOR SH. ASSY 4275601/4275001CW	1
21	05.775.10	BOLT - SPECIAL M14 X 94MM	50
23	05.968.06	S.LOCKING NUT M14 (FINE) PLATE	50
26	05.895.01	SHACKLE - FORGED	50
27	02.807.01	SPACER 1" O/D X 16MM I/D X 27MM	50
28	05.281.04	FLAT WASHER 16MM PLATED*	100
31	05.282.04	SPRING WASHER 16MM PLATED*	50
32	42750.01	FLAIL - FORGED MP44	50

*MAIN PART IN GROUP, RELATED PARTS HAVE SAME REFERENCE NUMBER

B1800



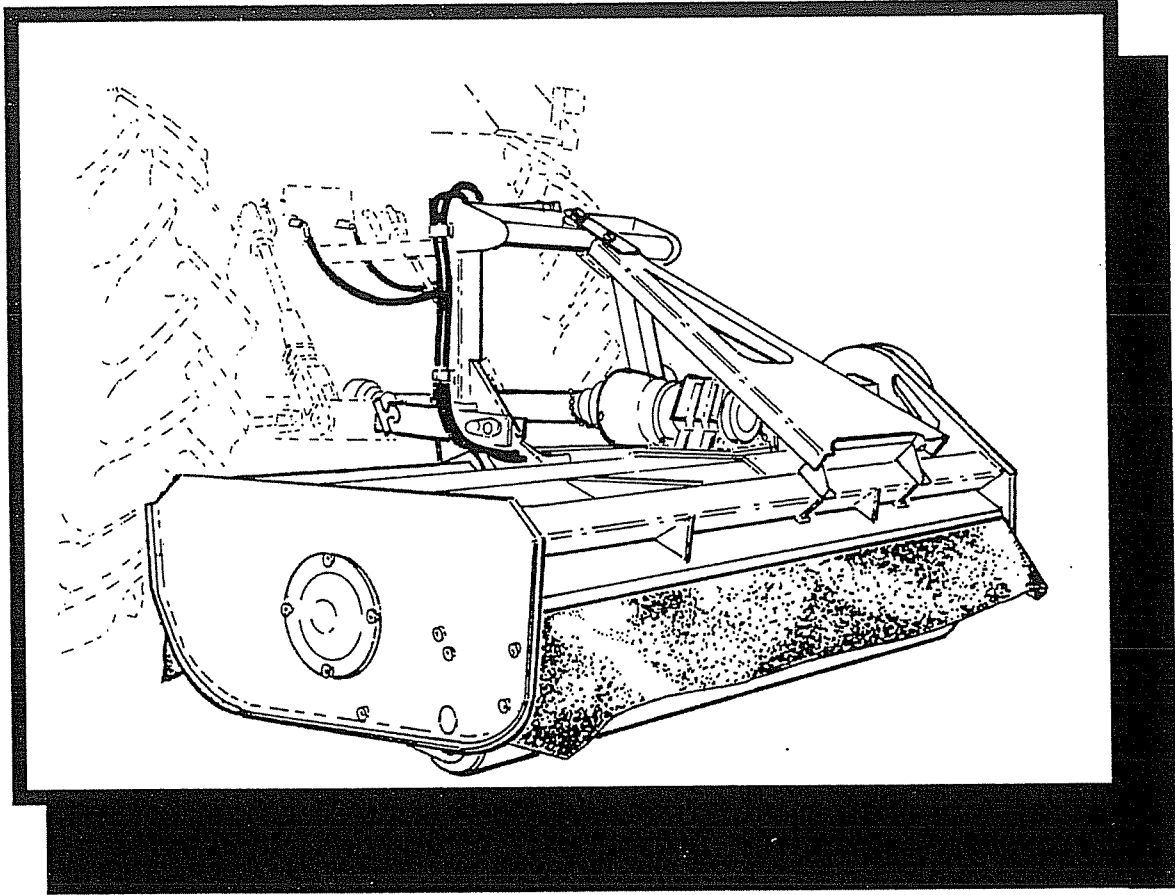
REF	PART NO	DESCRIPTION	QTY
76.544.01 ROTOR BEARING ASSEMBLY			
01	05.264.23	SETSCREW M12 X 30MM PLATED	4
01	05.282.03	SPRING WASHER 12MM PLATED	4
01	05.953.01	GREASE NIPPLE M6	1
01	05.345.12	SOCKET CSK SCREW	2
*01	42970.03	HOUSING - BEARING NON-DRIVE	1
02	05.959.07	CIRCLIP - INT 85MM DIA	2
03	04.163.04	BEARING-SPH.ROLLER 45MM BORE	2
04	06.909.01	SPACER-SEAL	2
05	06.910.01	COLLAR-SEAL	4
06	00.876.03	COVER - BEARING NON DRIVE	1
*07	04.252.01	WASHER 65 O/DX17 I/D X 8MM	2
07	05.264.33	SETSCREW M16 X 30MM PLATED	2
07	05.283.04	SHAKEPROOF WASHER 16MM PLATED	2
08	05.264.23	SETSCREW M12 X 30MM PLATED	4
08	05.282.03	SPRING WASHER 12MM PLATED	4
08	05.286.03	NUT M12 PLATED	2
*08	42970.01	HOUSING - BEARING DRIVE	1
09	05.953.03	GREASE NIPPLE M10	1
*09	42973.01	TUBE - GREASE M10	1
10	42971.01	BRACKET - END DISC	3
11	05.264.22	SETSCREW M12 X 25MM PLATED	2
11	05.282.03	SPRING WASHER 12MM PLATED	2
*11	42971.02	BRACKET - END DISC	1
12	43272.01	SPACER - SEAL	2

*MAIN PART IN GROUP, RELATED PARTS HAVE SAME REFERENCE NUMBER

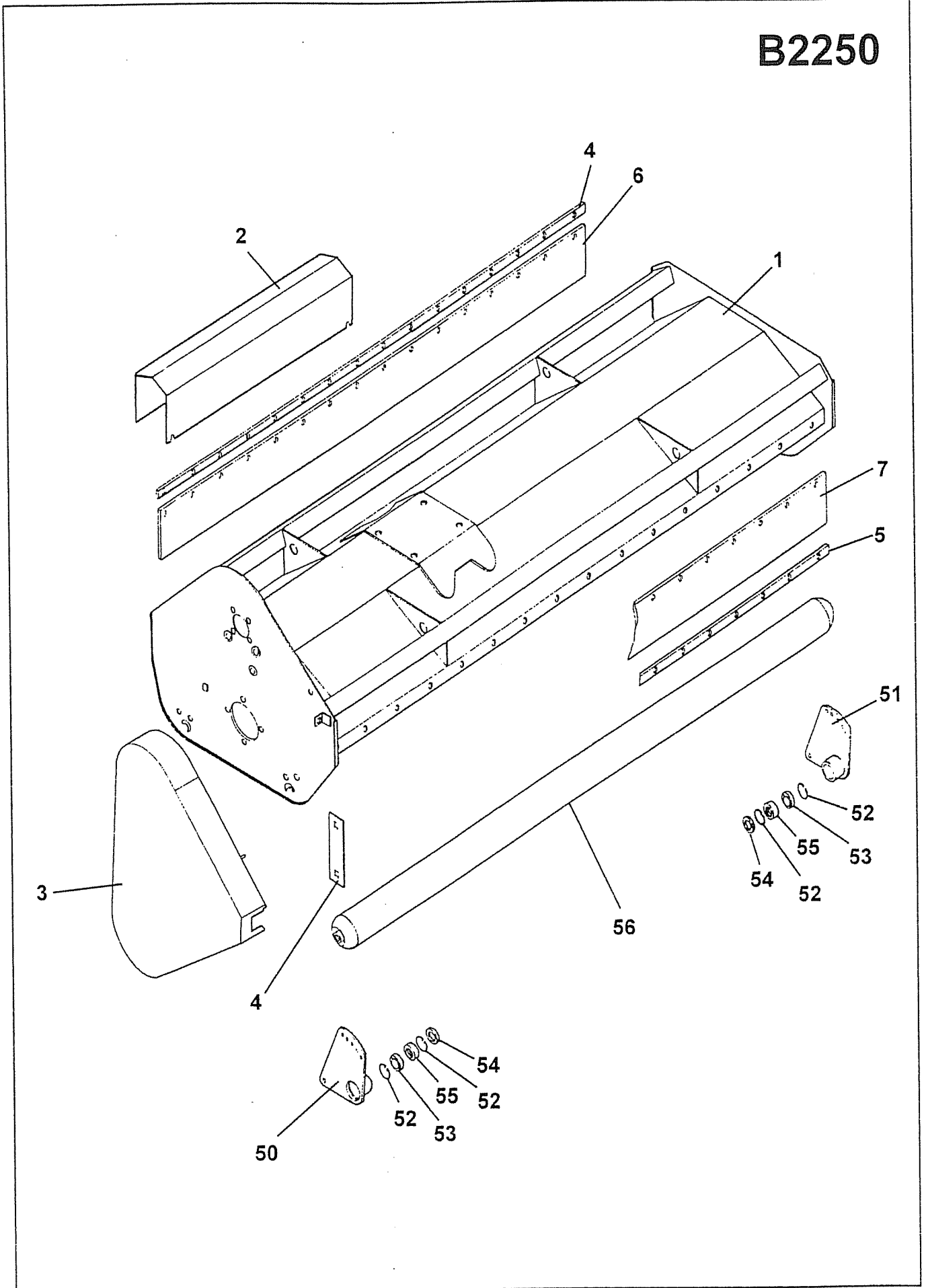
REF	PART NO	DESCRIPTION	QTY
76.546.02 DECALS - 1800			
01	42793.01	DECAL - BANDIT	1
02	09.980.39	DECAL - B1800	1
03	09.837.01	DECAL - BOMFORD	1
04	42794.01	DECAL - UNION JACK	1
05	09.843.04	DECAL - LIFT POINT 750 KG	1
06	09.811.01	DECAL - MAX PTO SPEED 540	-
06	09.811.04	DECAL - MAX PTO SPEED 540 ACW	-
06	09.811.02	DECAL - MAX PTO SPEED 1000	-
06	09.811.05	DECAL - MAX PTO SPEED 1000 ACW	-
07	09.821.01	DECAL - READ INSTRUCTION BOOK	1
08	09.821.08	DECAL - SAFEWORKING ON HEAD	1
09	09.821.10	DECAL - KEEP NUTS TIGHT	1
10	09.821.16	DECAL - KEEP OUT ZONE	1
11	09.821.17	DECAL - UNSUPPORTED MACHINE	1
12	09.821.18	DECAL - THROWN DEBRIS	1
13	09.821.20	DECAL - SHAFT ENTANGLEMENT	1
14	09.821.24	DECAL - FLAIL HEAD DANGER	1
15	09.810.07	DECAL - GREASE 500 HOURS	2
16	09.810.02	DECAL - GREASE 40 HOURS	6
17	42931,02	DECAL - ADJUSTMENT DISC	1

NOTES

B2250



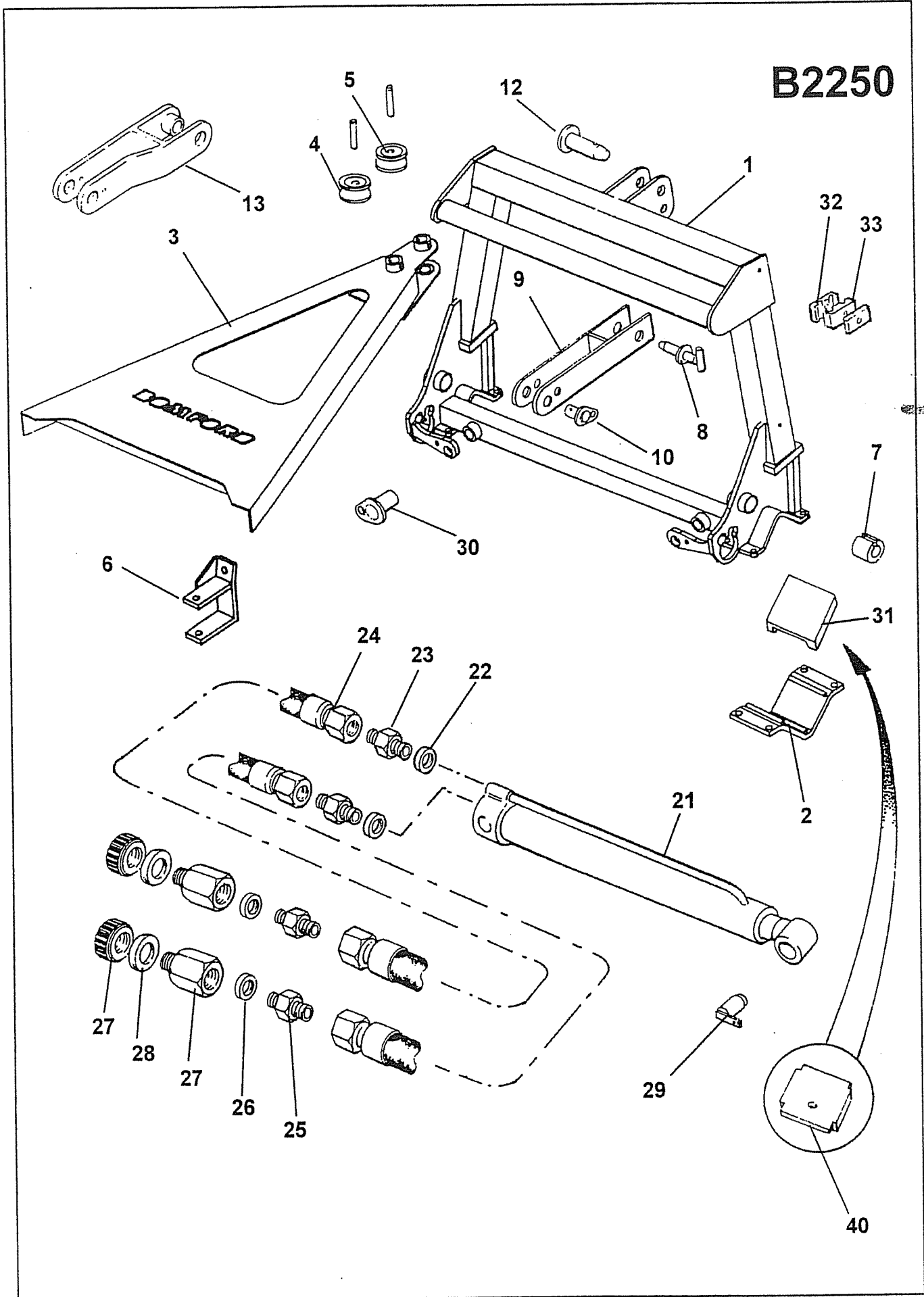
B2250



REF	PART NO	DESCRIPTION	QTY
76.538.01 FRONT FRAME ASSEMBLY			
01	42907.01	FRAME - FRONT	1
02	05.282.03	SPRING WASHER 12MM PLATED	8
02	05.287.03	NUT M12 SELF-LOCKING PLATED	8
02	05.291.24	BOLT M12 X 45MM PLATED	8
*02	42906.01	PLATE - CLAMPING	1
02	42906.02	PLATE - CLAMPING	1
03	05.283.04	SHAKEPROOF WASHER 16MM PLATED	2
03	05.286.04	NUT M16 PLATED	4
03	05.287.04	SELF-LOCKING NUT M16 PLATED	2
*03	42738.01	STAY - MAINFRAME	1
03	9313167	SETSCREW M16 X 80MM PLATED	2
04	42447.01	SUPPORT WHEEL	2
05	05.287.01	SELF-LOCKING NUT M8 PLATED	2
05	05.291.05	BOLT M8 X 50MM PLATED	2
*05	42753.01	PIN 1" DIA X 112	2
06	05.282.03	SPRING WASHER 12MM PLATED	2
06	05.286.03	NUT M12 PLATED	2
*06	05.292.24	BOLT M12 X 110MM PLATED	2
06	42752.01	CLAMP - REAR	2
07	02.771.07	TENSION BUSH 38 X 30 X 50	2
08	00.372.01	LINCH PIN	2
08	06.318.01	PIN-1.1/8" DIA X 103	2
09	04.392.01	LINK - "A" FRAME	2
*10	03.654.07	PIN 30 DIA X 78MM	2
10	04.175.01	STUD M10 X 29MM	2
10	05.234.01	WASHER 44.5 X 13 X 5MM PLATED	2
10	05.264.22	SETSCREW M12 X 25MM PLATED	2
10	05.281.02	FLAT WASHER 10MM PLATED FORM C	2
10	05.282.02	SPRING WASHER 10MM PLATED	2
10	05.953.03	GREASE NIPPLE M10	2
10	05.968.02	SELF LOCKING NUT M10 (FINE)	2
12	42250.01	PIN CAT II	1
12	00.372.01	LINCH PIN	
13	43024.01 ▲	LINK - 'A' FRAME (FRONT MOUNT)	2

▲ ALTERNATIVE PART FOR TRACTORS WITH FIXED WIDTH FRONT LINKAGE

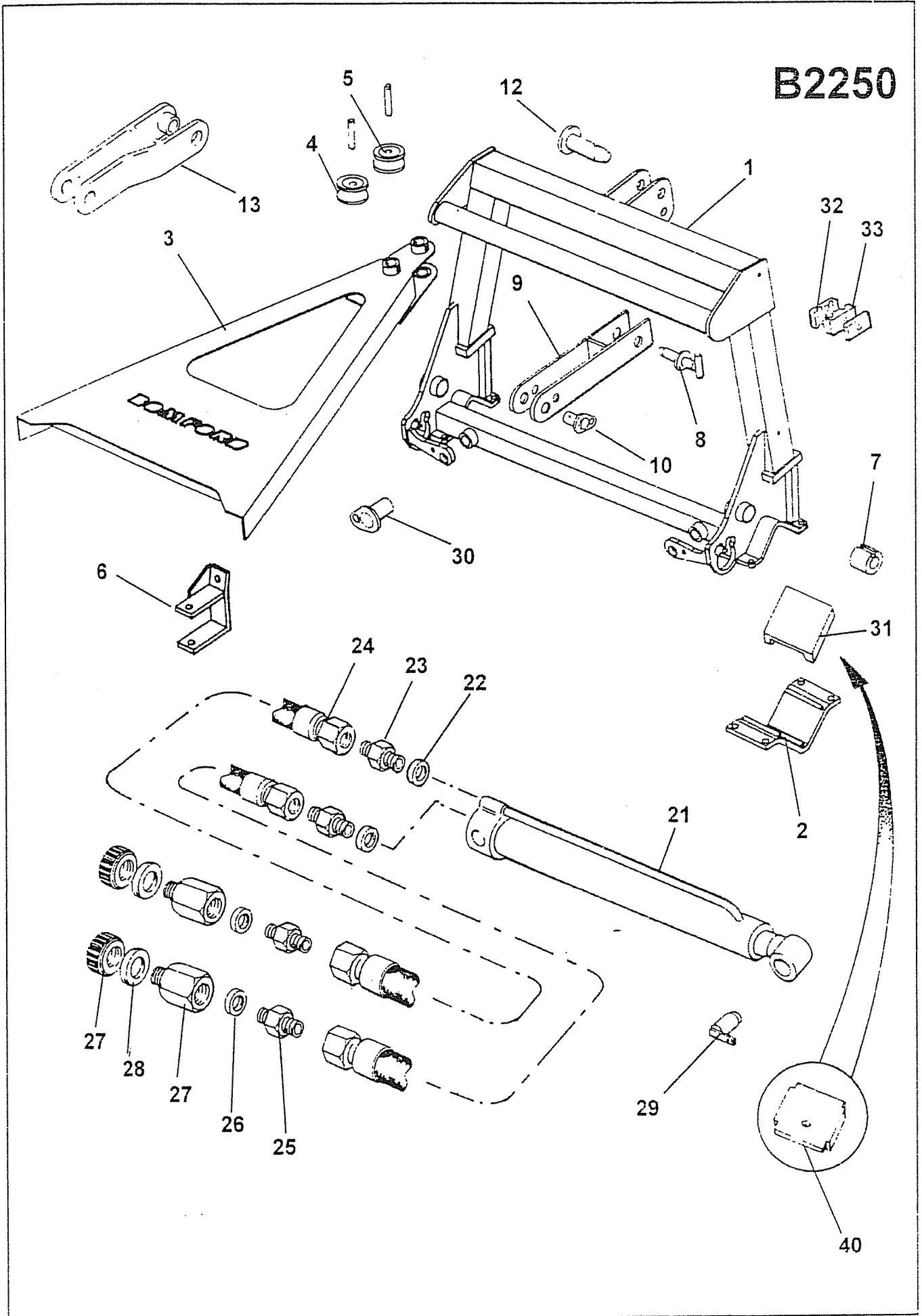
*MAIN PART IN GROUP, RELATED PARTS HAVE SAME REFERENCE NUMBER



REF	PART NO	DESCRIPTION	QTY
76.537.03/76537.01 COWL ASSEMBLY 2250			
*01	42745.03	COWL-2250 LH DRIVE	1
01	42745.04	COWL-2250 RH DRIVE	1
01	05.227.01	HAMMER DRIVE SCREW NO.6 X 3/8"	2
01	04.282.06	STUD M12 X 55MM PLATED	4
01	05.281.03	FLAT WASHER 12MM PLATED	4
01	05.774.06	SERIAL NO.PLATE BOMFORD TURNER	1
01	05.968.03	SELF LOCKING NUT M12 (FINE)	4
*02	05.264.11	SETSCREW M10 X 20MM PLATED	4
02	05.281.02	FLT WASHER 10MM PLATED FORM C	4
02	05.282.02	SPRING WASHER 10MM PLATED	4
*02	42791.01	GUARD - DRIVE SHAFT	1
*03	04.384.05	GUARD - DRIVE LH	1
03	04.384.06	GUARD - DRIVE RH	1
03	05.282.03	SPRING WASHER 12MM PLATED	3
03	05.286.03	NUT M12 PLATED	2
03	05.264.21	SETSCREW M12 X 20MM	1
04	05.282.03	SPRING WASHER 12MM PLATED	4
04	05.286.03	NUT M12 PLATED	4
04	05.839.26	BOLT CUP SQ M12 X 30 (PLATED)	4
*04	42747.01	CLAMP - GUARD	2
05	05.287.01	SELF-LOCKING NUT M8 PLATED	32
*05	42742.01	STRIP - BACKING 2250	2
05	9293054	BOLT CUP SQUARE M8 X 25 (PLATED)	32
06	42744.01	GUARD - FLEXIBLE FRONT 2250	1
07	42743.01	GUARD - FLEXIBLE REAR 2250	1
76.540.01 ROLLER ASSEMBLY 2250			
50	05.282.03	SPRING WASHER 12MM PLATED	3
50	05.286.03	NUT M12 PLATED	3
50	05.839.26	BOLT CUP SQ M12 X 30 (PLATED)	3
*50	42790.01	BRACKET - ROLLER 150 LH	1
51	05.282.03	SPRING WASHER 12MM PLATED	3
51	05.286.03	NUT M12 PLATED	3
51	05.839.26	BOLT CUP SQ M12 X 30 (PLATED)	3
*51	42790.02	BRACKET - ROLLER RH	1
52	05.959.05	CIRCLIP - INT 62MM DIA	4
53	42954.01	BEARING - D/ROW BALL 30MM BORE	2
54	04.164.04	SEAL-LIP 40DIA X 10MM	2
55	05.953.01	GREASE NIPPLE M6	4
55	41851.01	CAP - BEARING RETAINER	2
56	05.234.01	WASHER 44.5 X 13 X 5MM PLATED	2
56	05.282.03	SPRING WASHER 12MM PLATED	2
56	05.625.10	SOCKET CAPSCREW M12 X 30 DOME HD PLT	2
*56	42955.12	ROLLER 150 DIA - 2250	1

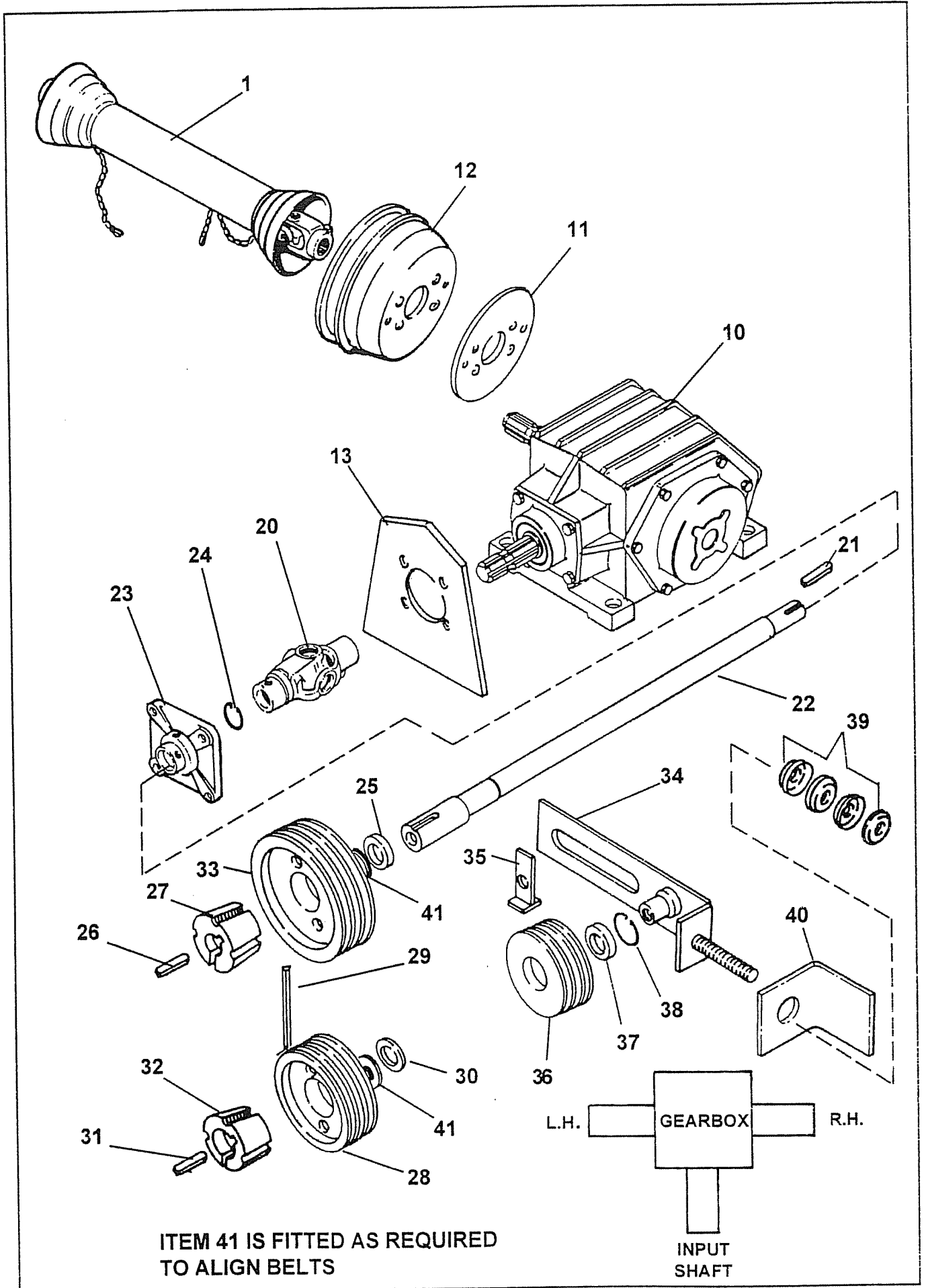
*MAIN PART IN GROUP, RELATED PARTS HAVE SAME REFERENCE NUMBER

B2250



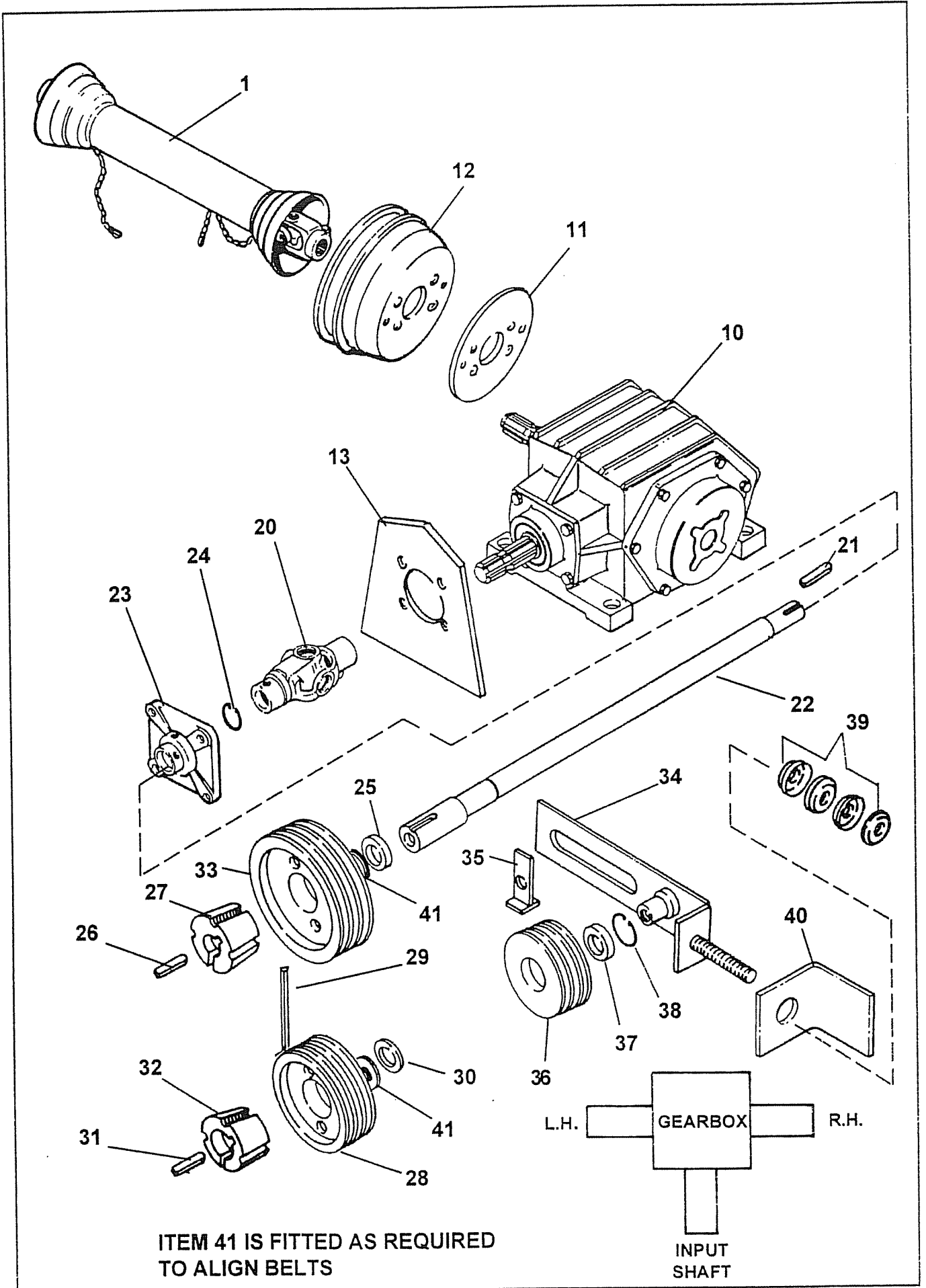
REF	PART NO	DESCRIPTION	QTY
76.539.01 RAM ASSEMBLY			
*21	09.987.07	RAM ASSY D/A 50 BORE X 700 STR	1
21	8699188	SEAL KIT FOR 09987 RAMS	-
22	05.290.04	BONDED SEAL 3/8"BSP	2
23	05.129.01	ADAPTOR 1/4" BSP X 1/4" BSP	2
24	10.001.30	HOSE 1/4"BSP ST X ST S.SEAL 2000	2
25	01.099.01	ADAPTOR 3/8"BSP X 1/4"BSP	2
26	05.290.04	BONDED SEAL 3/8"BSP	2
*27	05.225.01	ADAPTOR-RDCG.1/2"BSP X 3/8"BSP	2
27	05.300.03	PLUG-PLASTIC 1/2"BSP FEMALE	2
28	05.290.05	BONDED SEAL 1/2"BSP	2
*29	03.653.73	PIN 25 DIA X 68	1
29	05.264.11	SETSCREW M10 X 20MM PLATED	1
29	05.282.02	SPRING WASHER 10MM PLATED	1
*30	03.653.74	PIN 25 DIA X 110	1
30	05.264.12	SETSCREW M10 X 25MM PLATED	1
30	05.282.02	SPRING WASHER 10MM PLATED	1
31	42749.01	PAD - BEARING	8
*32	04.282.32	STUD M8 X 52	2
32	05.281.01	FLAT WASHER 8MM PLATED	2
32	05.282.01	SPRING WASHER 8MM PLATED	2
32	05.286.01	NUT M8 PLATED	2
32	06.430.02	CLAMP HOSE 14 X 14	4
33	06.418.02	CLAMP PLATE 30 X 6 PLATED	2
76.552.01 SPACER KIT FOR FRAME			
40	42795.01	SPACER - CLAMP FRAME	8

*MAIN PART IN GROUP, RELATED PARTS HAVE SAME REFERENCE NUMBER



REF	PART NO	DESCRIPTION	QTY
76.541.01 PTO SHAFT ASSEMBLY			
*01	41544.03	PTO SHAFT ASSY 685 MM C/C)	1
01	41544.96	CROSS JOURNAL SET) Up to Serial No. 3160M/01	-
01	41544.78	COMPLETE SHIELD)	-
01	43602.01	PTO SHAFT ASSY 685 MM C/C)	1
01	43602.20	CROSS JOURNAL SET) From Serial No. 3161M/01	-
01	43602.21	COMPLETE SHIELD)	-
76.542.01 GEARBOX ASSY REAR MOUNT			
*10	04.400.01	GEARBOX ASSEMBLY RH	1
10	04.400.21	GEARBOX ASSEMBLY LH	1
11	05.264.01	SETSCREW M8 X 20MM PLATED	4
11	05.282.01	SPRING WASHER 8MM PLATED	4
*11	42740.01	PLATE - PTO GUARD	1
12	05.281.01	FLAT WASHER 8MM PLATED	2
12	05.282.01	SPRING WASHER 8MM PLATED	2
12	30.068.95	SCREW M8 X 12 8.8 GRADE Z/P	2
*12	42741.01	GUARD - PTO	1
13	05.264.03	SETSCREW M8 X 30MM PLATED	4
13	05.282.01	SPRING WASHER 8MM PLATED	4
*13	42792.01	PLATE - DRIVE SHAFT GUARD	1
76.542.02 GEARBOX ASSY FRONT MOUNT			
*10	04.400.01	GEARBOX ASSEMBLY RH	1
10	04.400.21	GEARBOX ASSEMBLY LH	1
10	04.400.26	GEARBOX ASSEMBLY (<i>Reverse Rotation</i>)	1
11	05.264.01	SETSCREW M8 X 20MM PLATED	4
11	05.282.01	SPRING WASHER 8MM PLATED	4
*11	42740.01	PLATE - PTO GUARD	1
12	05.281.01	FLAT WASHER 8MM PLATED	2
12	05.282.01	SPRING WASHER 8MM PLATED	2
12	30.068.95	SCREW M8 X 12 8.8 GRADE Z/P	2
*12	42741.01	GUARD - PTO	1
13	05.264.03	SETSCREW M8 X 30MM PLATED	4
13	05.282.01	SPRING WASHER 8MM PLATED	4
*13	42792.01	PLATE - DRIVE SHAFT GUARD	1

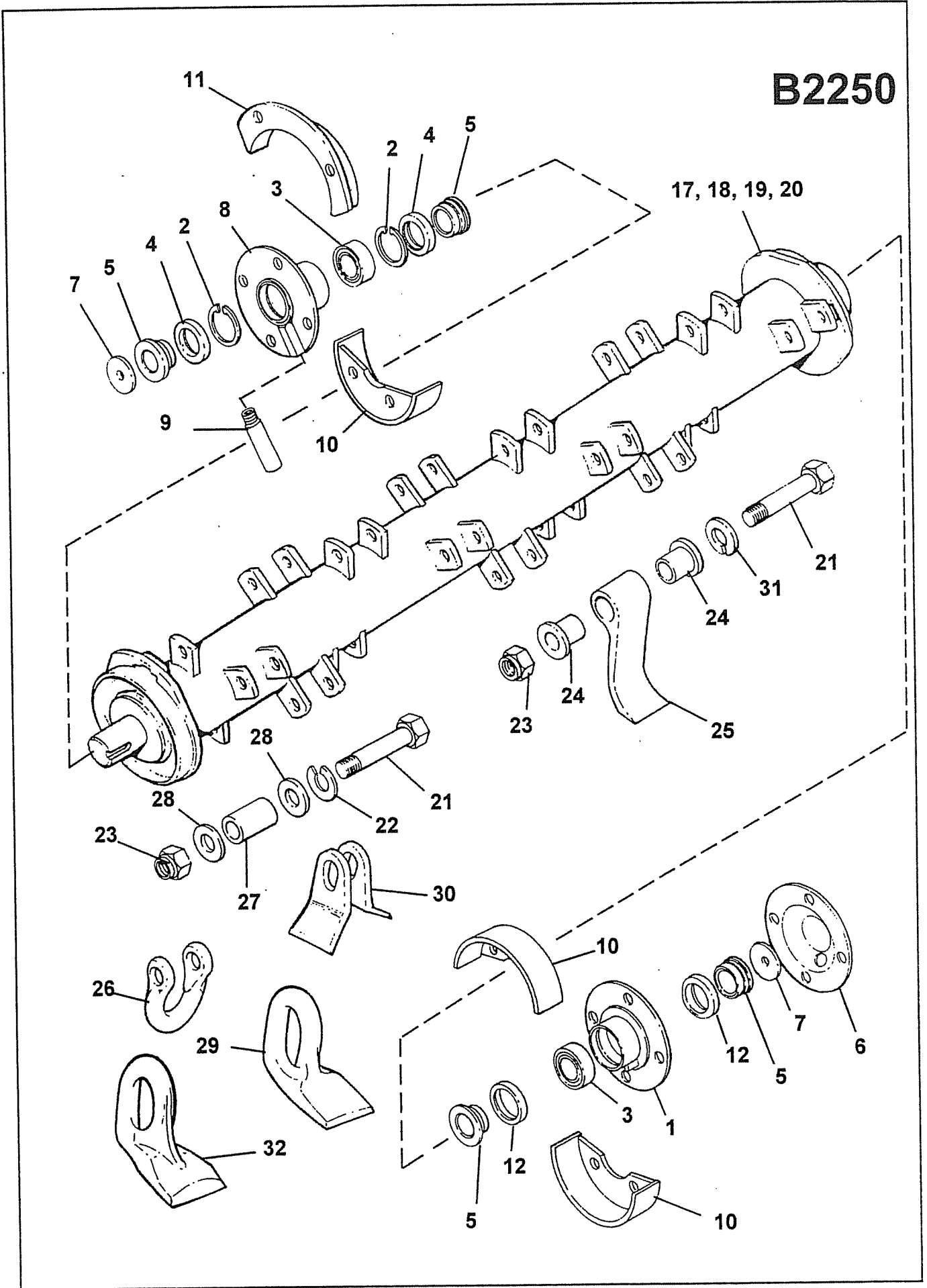
*MAIN PART IN GROUP, RELATED PARTS HAVE SAME REFERENCE NUMBER



REF	PART NO	DESCRIPTION	QTY
76.543.01 DRIVE ASSEMBLY			
20	01.266.06	PTO JOURNAL BEARING KIT 1300	-
*20	03.462.03	PTO SINGLE JOINT ASSY	1
20	05.288.04	NUT 1/2"UNF PLATED	1
20	05.929.01	SOCKET GRUBSCREW 1/2"UNF X 1"	1
21	01.071.14	KEY-SEP 3/8 X 5/16 X 2	1
22	04.252.01	WASHER 65 O/DX17 I/DX8MM	1
*22	04.390.01	SHAFT - DRIVE	1
22	05.264.33	SETSCREW M16 X 30MM PLATED	1
22	05.283.04	SHAKEPROOF WASHER 16MM PLATED	1
*23	03.008.01	BEARING ASSY - FLANGED 40 BORE	1
23	05.264.24	SETSCREW M12 X 35MM PLATED	4
23	05.282.03	SPRING WASHER 12MM PLATED	4
23	05.286.03	NUT M12 PLATED	4
24	05.959.04	CIRCLIP - EXT 40MM DIA	1
25	04.385.01	SPACER 55 O/D X 45.5 I/D X 36	1
26	05.960.13	KEY-S/REP 14MM X 9MM X 45MM	1
27	05.424.17	TAPER-LOCK 45MM BORE (2517)	1
28	04.451.01	PULLEY-VEE 236 P.C.D. 3 SPB	1
29	05.299.58	BELT-VEE XPB 1600. MATCHED SET	1
30	06.216.01	SPACER 55 O/D X 45.5 I/D X 9	1
31	05.960.13	KEY-S/REP 14MM X 9MM X 45MM	1
32	05.424.17	TAPER-LOCK 45MM BORE (2517)	1
33	04.451.03	PULLEY-VEE 315 P.C.D. 3 SPB	1
*34	04.399.01	BRACKET - IDLER PULLEY	1
34	05.234.01	WASHER 44.5 X 13 X 5MM PLATED	1
34	05.264.22	SETSCREW M12 X 25MM PLATED	1
34	05.282.03	SPRING WASHER 12MM PLATED	1
34	05.286.03	NUT M12 PLATED	2
*35	04.401.01	PLATE - BRACKET IDLER PULLEY	1
35	05.264.22	SETSCREW M12 X 25MM PLATED	1
35	05.282.03	SPRING WASHER 12MM PLATED	1
36	04.398.01	PULLEY-VEE 120MM P.C.D. 3 SPB	1
37	01.083.01	BEARING - BALL 3/4"BORE	2
38	01.072.02	CIRCLIP - INT 1.7/8"D	1
39	05.398.02	DISC-SPRG 12.2 I/D X 25 O/D PLTD	8
40	42929.02	STRAP-DISC ADJUSTMENT	1
41	06.216.02	SPACER 55 O/D X 45.5 I/D X 3.00	1

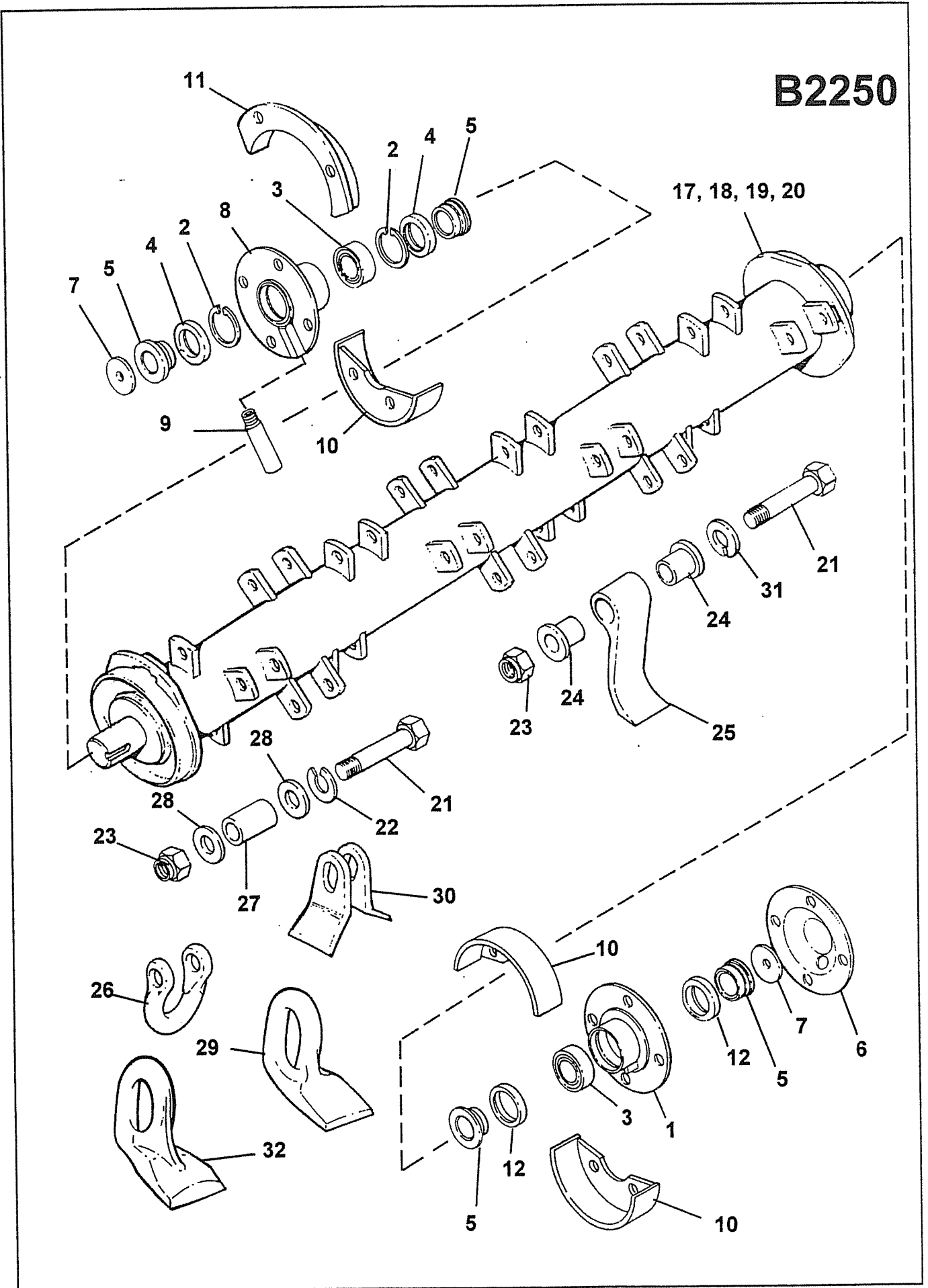
*MAIN PART IN GROUP, RELATED PARTS HAVE SAME REFERENCE NUMBER

B2250



REF	PART NO	DESCRIPTION	QTY
76.545.01 ROTOR SHAFT ASSEMBLY			
17	42751.01	ROTOR SHAFT ASSEMBLY AC	1
21	05.775.10	BOLT - SPECIAL M14 X 94MM	62
22	05.282.08	SPRING WASHER 14MM PLATED	62
23	05.968.06	SELF-LOCKING NUT M14 (FINE) PLATE	62
24	09.894.01	COLLAR - PIVOT	124
25	42155.01	FLAIL-SINGLE EDGE (PRO-FLAIL)	62
31	05.282.04	SPRING WASHER 16MM PLATED	62
76.545.05 ROTOR SHAFT ASSEMBLY			
18	42751.05	ROTOR SHAFT ASSEMBLY	1
21	05.775.10	BOLT - SPECIAL M14 X 94MM	62
22	05.282.04	SPRING WASHER 16MM PLATED	62
23	05.968.06	S.LOCKING NUT M14 (FINE) PLATE	62
26	05.895.01	SHACKLE-FORGED	62
27	02.807.01	SPACER 1"O/D X 16MM I/D X 27MM	62
28	05.281.04	FLAT WASHER 16MM PLATED	124
30	41654.01	FLAIL - FLARED 51 X 8	124
76.545.03 ROTOR SHAFT ASSEMBLY			
19	42751.03	ROTOR SHAFT ASSEMBLY AC	1
21	05.775.10	BOLT - SPECIAL M14 X 94MM	62
22	05.282.04	SPRING WASHER 16MM PLATED	62
26	05.895.01	SHACKLE-FORGED	62
27	02.807.01	SPACER 1"O/D X 16MM I/D X 27MM	62
28	05.281.04	FLAT WASHER 16MM PLATED	124
29	02.959.01	FLAIL - FORGED	62
76.545.13/14 ROTOR SHAFT ASSEMBLY			
20	42751.13	ROTOR SH. ASSY 4274601/4275001AC	1
20	42751.14	ROTOR SH. ASSY 4274601/4275001CW	1
21	05.775.10	BOLT - SPECIAL M14 X 94MM	62
26	05.895.01	SHACKLE - FORGED	62
27	02.807.01	SPACER 1" O/D X 16MM I/D X 27MM	62
28	05.281.04	FLAT WASHER 16MM PLATED*	124
31	05.282.04	SPRING WASHER 16MM PLATED*	62
32	42750.01	FLAIL - FORGED MP44	62

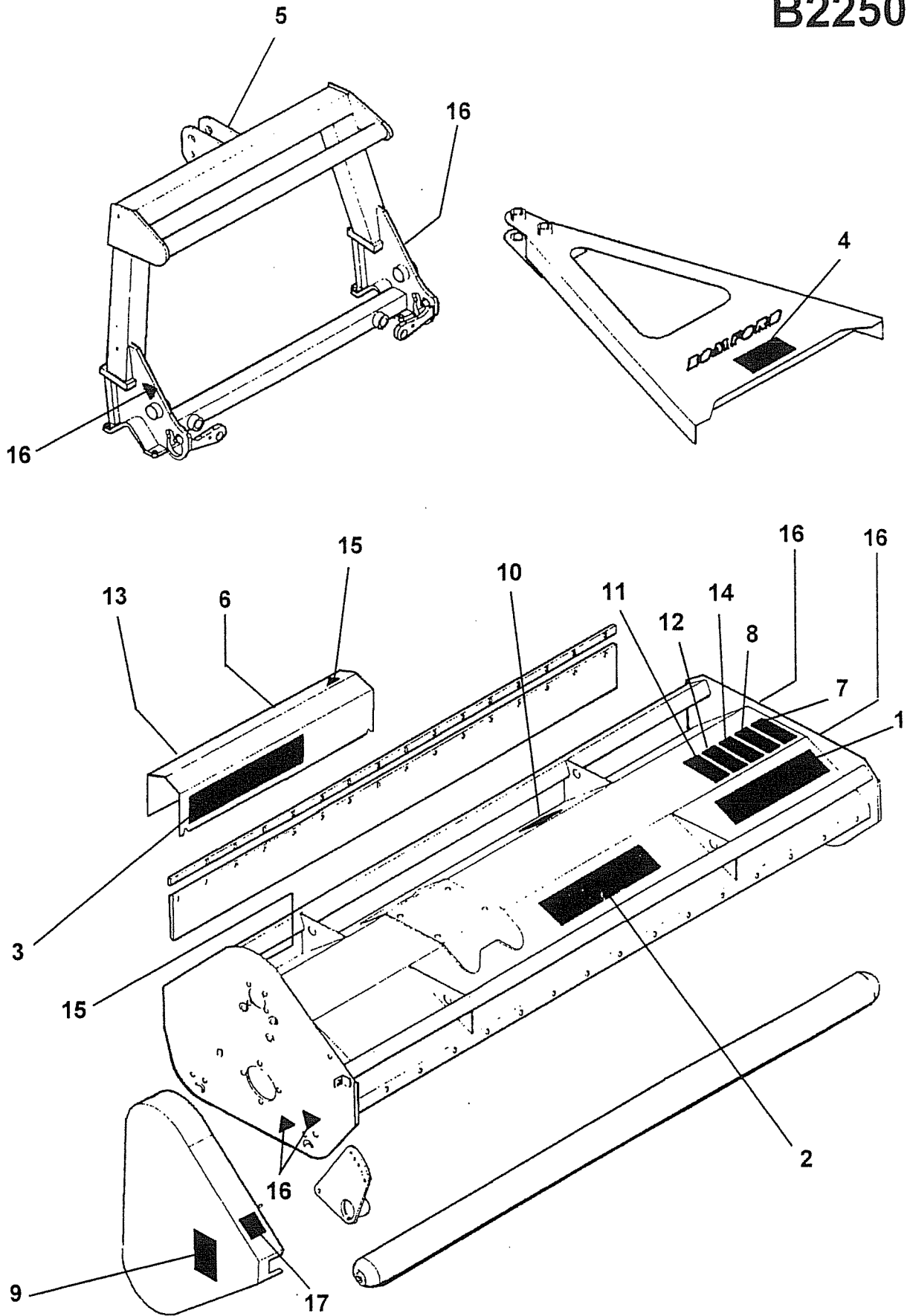
*MAIN PART IN GROUP, RELATED PARTS HAVE SAME REFERENCE NUMBER



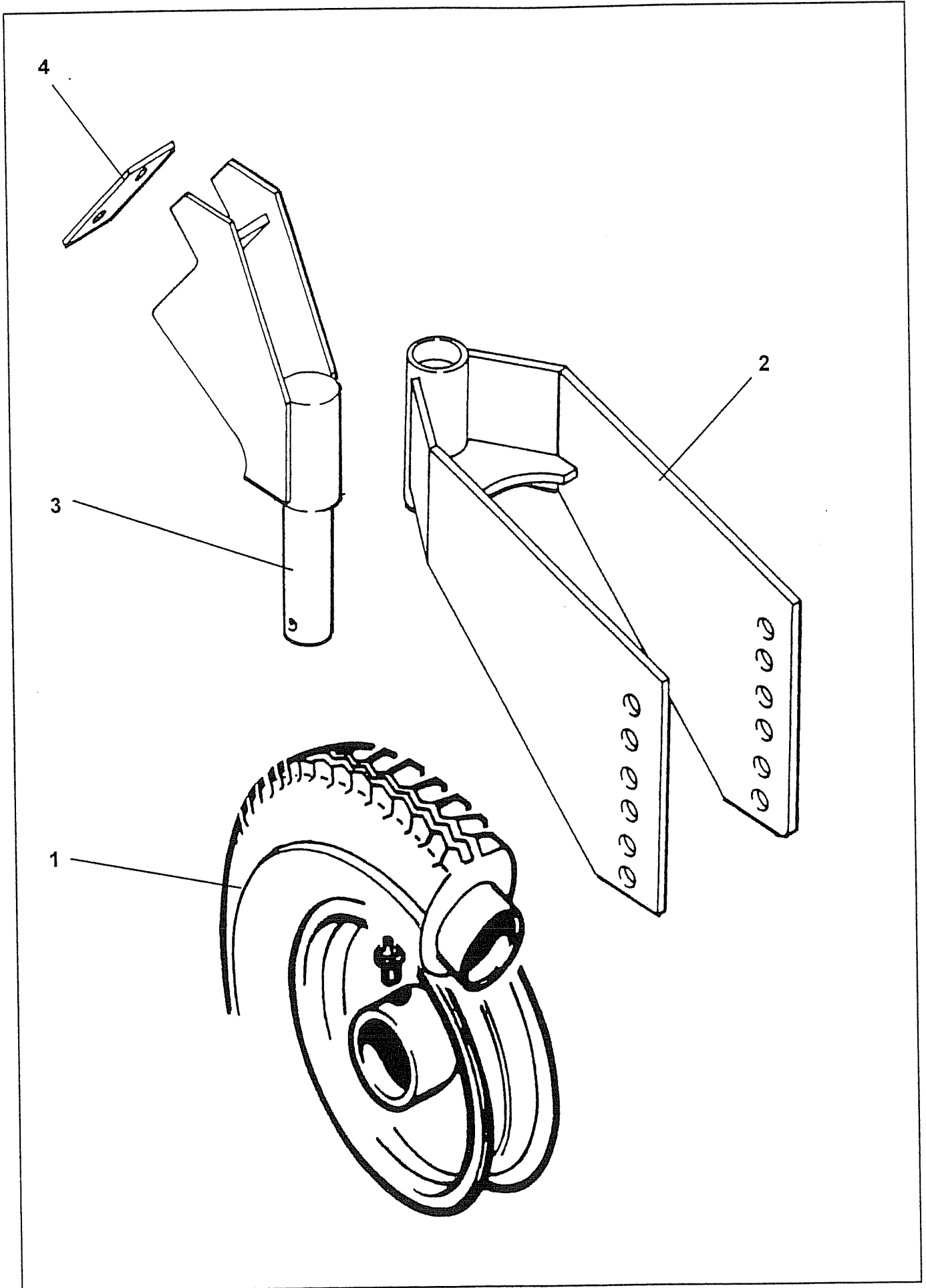
REF	PART NO	DESCRIPTION	QTY
76.544.01 ROTOR BEARING ASSEMBLY			
01	05.264.23	SETSCREW M12 X 30MM PLATED	4
01	05.282.03	SPRING WASHER 12MM PLATED	4
01	05.953.01	GREASE NIPPLE M6	1
01	05.345.12	SOCKET CSK SCREW	2
*01	42970.03	HOUSING - BEARING NON-DRIVE	1
02	05.959.07	CIRCLIP - INT 85MM DIA	2
03	04.163.04	BEARING-SPH.ROLLER 45MM BORE	2
04	06.909.01	SPACER-SEAL	2
05	06.910.01	COLLAR-SEAL	4
06	00.876.03	COVER - BEARING NON DRIVE	1
*07	04.252.01	WASHER 65 O/DX17 I/DX8MM	2
07	05.264.33	SETSCREW M16 X 30MM PLATED	2
07	05.283.04	SHAKEPROOF WASHER 16MM PLATED	2
08	05.264.23	SETSCREW M12 X 30MM PLATED	4
08	05.282.03	SPRING WASHER 12MM PLATED	4
08	05.286.03	NUT M12 PLATED	2
*08	42970.01	HOUSING - BEARING DRIVE	1
09	05.953.03	GREASE NIPPLE M10	1
*09	42973.01	TUBE - GREASE M10	1
10	42971.01	BRACKET - END DISC	3
11	05.264.22	SETSCREW M12 X 25MM PLATED	2
11	05.282.03	SPRING WASHER 12MM PLATED	2
*11	42971.02	BRACKET - END DISC	1
12	43272	SPACER - SEAL	2

*MAIN PART IN GROUP, RELATED PARTS HAVE SAME REFERENCE NUMBER

B2250

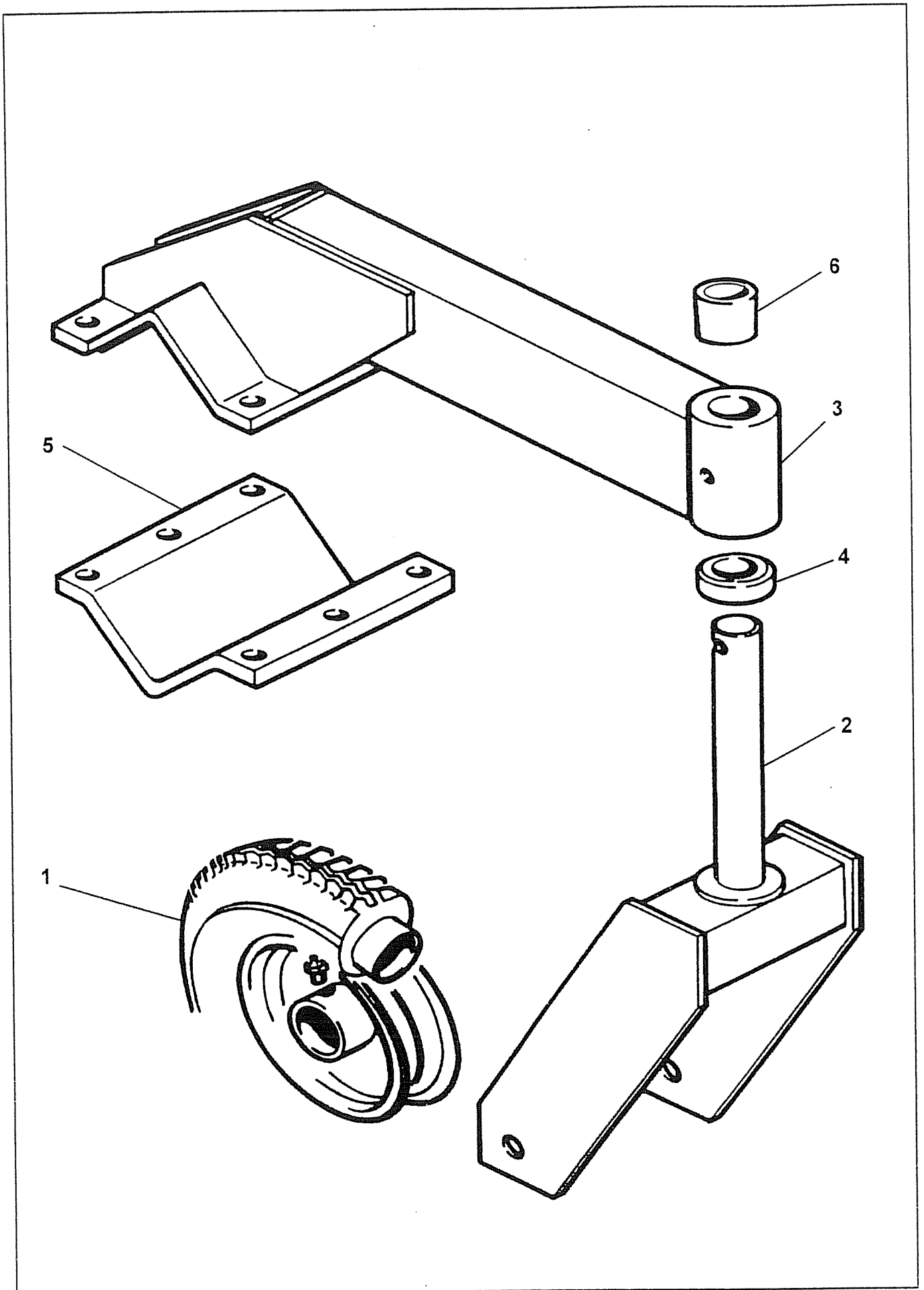


REF	PART NO	DESCRIPTION	QTY
76.546.01 DECALS 2250			
01	42793.01	DECAL - BANDIT	1
02	09.980.40	DECAL - B2250	1
03	09.837.01	DECAL - BOMFORD	1
04	42794.01	DECAL - UNION JACK	1
05	09.843.04	DECAL - LIFT POINT 750 KG	1
06	09.811.01	DECAL - MAX PTO SPEED 540	-
06	09.811.04	DECAL - MAX PTO SPEED 540 ACW	-
06	09.811.02	DECAL - MAX PTO SPEED 1000	-
06	09.811.05	DECAL - MAX PTO SPEED 100 ACW	-
07	09.821.01	DECAL - READ INSTRUCTION BOOK	1
08	09.821.08	DECAL - SAFEWORKING ON HEAD	1
09	09.821.10	DECAL - KEEP NUTS TIGHT	1
10	09.821.16	DECAL - KEEP OUT ZONE	1
11	09.821.17	DECAL - UNSUPPORTED MACHINE	1
12	09.821.18	DECAL - THROWN DEBRIS	1
13	09.821.20	DECAL - SHAFT ENTANGLEMENT	1
14	09.821.24	DECAL - FLAIL HEAD DANGER	1
15	09.810.07	DECAL - GREASE 500 HOURS	2
16	09.810.02	DECAL - GREASE 40 HOURS	6
17	42931.02	DECAL - ADJUSTMENT DISC	1



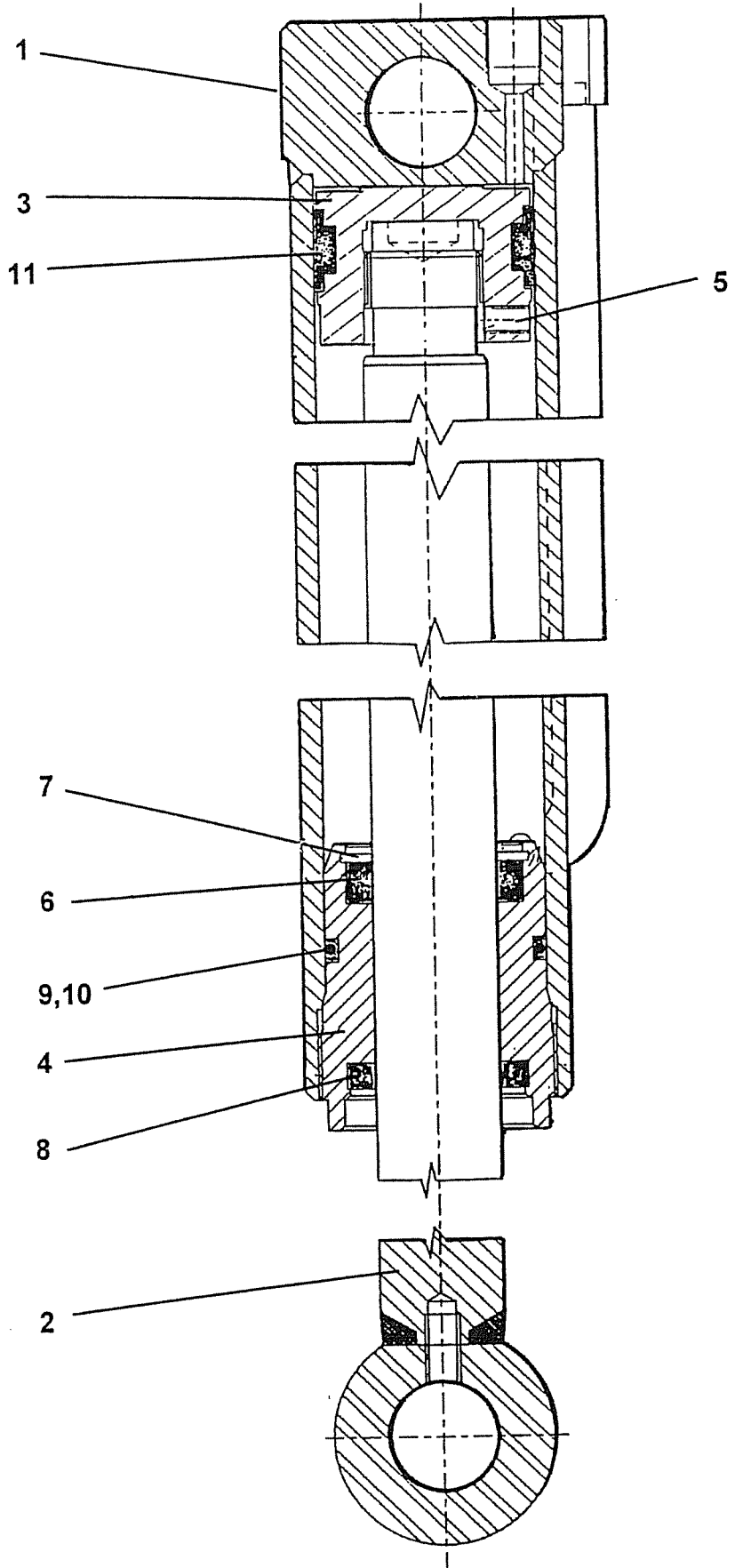
REF	PART NO	DESCRIPTION	QTY
71.322.01 CASTOR WHEEL ASSEMBLY			
01	01.618.01	WHEEL/TYRE ASSY 4.00 X 8 4 PLY	1
02	05.253.36	BOLT 5/8"UNF X 6"PLATED	1
02	05.282.04	SPRING WASHER 16MM PLATED	1
02	05.281.18	FLAT WASHER 30MM - PLATED	1
02	05.288.05	NUT 5/8"UNF PLATED	1
*02	06.187.01	BRACKET - WHEEL CROTCH	1
03	00.372.01	LINCH PIN	1
*03	06.188.01	BRACKET - CLAMP	1
04	05.282.04	SPRING WASHER 16MM PLATED	2
04	05.286.04	NUT M16 PLATED	2
04	05.292.34	BOLT M16 X 110MM PLATED	2
*04	06.186.01	CLAMP	1

*MAIN PART IN GROUP, RELATED PARTS HAVE SAME REFERENCE NUMBER



REF	PART NO	DESCRIPTION	QTY
71.940.01 CASTOR WHEEL ASSY			
*01	01.618.01	WHEEL/TYRE ASSY 4.00 X 8 4 PLY	2
01	05.253.36	BOLT 5/8"UNF X 6"PLATED	2
01	05.282.04	SPRING WASHER 16MM PLATED	2
01	05.288.05	NUT 5/8"UNF PLATED	2
02	07.545.01	YOKE - WHEEL	2
03	00.372.01	LINCH PIN	2
*03	07.544.01	BRACKET - WHEEL	2
04	07.546.01	SPACER - 45 X 30.5 X 10	20
*05	02.611.01	CLAMP	2
05	05.264.26	SETSCREW M12 X 45MM PLATED	8
05	05.282.03	SPRING WASHER 12MM PLATED	8
05	05.286.03	NUT M12 PLATED	8
06	02.771.10	TENSION BUSH 36 X 30 X 30	4

*MAIN PART IN GROUP, RELATED PARTS HAVE SAME REFERENCE NUMBER



REF	PART NO	DESCRIPTION	QTY
09.987.01 RAM ASSEMBLY			
01	09.987.83	BARREL ASSEMBLY	1
02	09.987.84	PISTON ROD	1
03	75-60-095	PISTON	1
04	71-35-291	GLAND HOUSING	1
05	93-63-023	GRUB SCREW M6 X 12	1
06	86-29-148	GLAND SEAL	1
07	04.161.40	CIRCLIP	1
08	86-29-140	SCRAPER RING	1
09	86-00-302	'O' RING	1
10	86-09-302	ANTI EXTRUSION RING	1
11	86-29-187	PISTON SEAL	1

*MAIN PART IN GROUP, RELATED PARTS HAVE SAME REFERENCE NUMBER

REF	PART NO	DESCRIPTION	QTY
76.589.01 GEARBOX 04.400.01			
00	30.400.46	SEAL KIT FOR GEARBOX	1
02	03.781.05	BEARING - TAPER ROLLER	1
03	04.400.04	PINION	1
04	04.400.05	BEARING HOUSING	1
06	05.714.07	LOCK NUT	1
07	04.400.06	BEARING - TAPER ROLER	1
08	05.714.17	KEY	1
11	04.400.08	BEARING CAP	1
12	06.725.16	SEAL - LIP	1
13	04.400.09	INPUT SHAFT	1
14	07.075.08	BEARING TAPER ROLLER	1
15	05.714.10	GEAR SPACER	1
16	05.264.01	SETSCREW M8 X 20MM PLATED	1
17	30.212.77	GEARBOX CASE	1
19	07.727.42	BREATHER	1
20	04.400.13	ADAPTOR 3/8 X 1/8 B.S.P.	1
21	04.400.14	SHIM 0.003"	1
21	04.400.15	SHIM 0.005"	1
21	04.400.16	SHIM 0.010"	1
22	04.400.17	BEARING CAP	1
76.589.02 GEARBOX 04.400.21 LH			
00	30.400.46	SEAL KIT FOR GEARBOX	1
02	03.781.05	BEARING - TAPER ROLLER	1
03	04.400.04	USE 04.400.24 GEAR SET	1
04	04.400.05	BEARING HOUSING	1
05	06.066.12	SEAL - SINGLE LIP	1
06	05.714.07	LOCK NUT	1
07	04.400.06	BEARING - TAPER ROLER	1
08	05.714.17	KEY	1
08	06.725.14	KEY	1
11	04.400.08	BEARING CAP	1
12	06.725.16	SEAL - LIP	1
14	07.075.08	USE 06.066.20 TAPER ROLLER BRG	1
15	05.714.10	GEAR SPACER	1
16	05.264.01	SETSCREW M8 X 20MM PLATED	1
17	30.212.77	GEARBOX CASE	1
19	07.727.42	BREATHER	1
20	04.400.13	ADAPTOR 3/8 X 1/8 B.S.P.	1
21	04.400.14	SHIM 0.003"	1
21	04.400.15	SHIM 0.005"	1
21	04.400.16	SHIM 0.010"	1
22	04.400.17	BEARING CAP	1
23	04.400.18	INPUT SHAFT (REVERSE ROT.)	1