

PM 880

BANDIT 2200
TRAILED MOWER

PARTS MANUAL

ISSUE 3

IMPORTANT

NOTE HERE THE SERIAL NUMBER OF YOUR MACHINE AND ALWAYS QUOTE IT IN ANY COMMUNICATION WITH US OR YOUR DEALER. THIS IS PARTICULARLY IMPORTANT WHEN ORDERING SPARES. REMEMBER TO INCLUDE ALL NUMBERS AND LETTERS.

MACHINE SERIAL NUMBERS _____

THE INFORMATION GIVEN THROUGHOUT THIS MANUAL IS CORRECT AT THE TIME OF PUBLICATION. HOWEVER, IN THE COURSE OF CONSTANT DEVELOPMENT OF BOMFORD TURNER MACHINES, CHANGES IN SPECIFICATION ARE INEVITABLE. SHOULD YOU FIND THE INFORMATION GIVEN IN THIS BOOK TO BE AT VARIANCE WITH THE MACHINE IN YOUR POSSESSION, YOU ARE ADVISED TO CONTACT THE BOMFORD TURNER SERVICE DEPARTMENT WHERE UP-TO-DATE INFORMATION WILL BE PROVIDED.

THE MANUAL CAN CONTAIN STANDARD AND OPTIONAL FEATURES AND IS NOT TO BE USED AS A MACHINE SPECIFICATION.

THE MACHINE HAS BEEN TESTED AND IS CONSIDERED SAFE IF CAREFULLY USED. ENSURE YOUR OPERATOR IS PROPERLY TRAINED IN ITS USE AND MAINTENANCE.

IMPORTANT

NOTEZ ICI LES NUMEROS DE SERIE DE VOTRE MACHINE ET MENTIONNEZ LES DANS TOUTE COMMUNICATION AVEC NOS SERVICES OU VOTRE REVENDEUR. CECI EST IMPORTANT POUR LA COMMANDE DE PIECES DETACHEES. PENSEZ A NOTER TOUS LES NUMEROS ET TOUTES LES LETTERS.

NUMEROS DE SERIE DE LA MACHINE _____

LES INFORMATIONS DONNEES DANS CE MANUEL SONT CORRECTES CEPENDANT, DU FAIT DE DEVELOPPEMENT CONSTANT DES MACHINES BOMFORD TURNER.

CHANGEMENTS DANS LES CARACTERISTIQUES SONT INEVITABLES.

SI VOUS TROUVEZ QUE LES INFORMATIONS DONNEES NE CORRESPONDENT PAS A VOTRE MACHINE VEUILLEZ CONTACTER LE SERVICE DES REPARATIONS OU DES INFORMATIONS PLUS RECENTES VOUS SERONT DONNEES. CE MANUEL PEUT MONTRER DES CARACTERISTIQUES OPTIONNELLES ET NE PEUT PAS ETRE CONSIDERE COMME SPECIFICATION DE LA MACHINE.

CETTE MACHINE A ETE TESTEE, ET ELLE EST CONSIDEREE COMME FIABLE A CONDITION D'UNE BONNE UTILISATION. ASSUREZ-VOUS QUE VOTRE OPERATEUR EST QUALIFIE EN CE QUI CONCERNE L'UTILISATION DE LA MACHINE AINSI QUE SON ENTRETIEN.

WICHTIG

TRAGEN SIE HIER DIE SERIENNUMMERN IHRER MASCHINE EIN UND GEBEN SIE DIESE IMMER AN, WENN SIE SICH AN UNS ODER IHREN HÄNDLER WENDEN. DAS IST BESONDERS BEI ERSATZTEILBESTELLUNGEN WICHTIG. VERGESSEN SIE NICHT, ALLE ZAHLEN UND BUCHSTABEN ZU NOTIEREN.

SERIENNUMMERN DER MASCHINE _____

DIE ANGABEN IN DIESEM HANDBUCH SIND BEI VERÖFFENTLICHUNG KORREKT. AUFGRUND DER KONSTANTEN WEITERENTWICKLUNG VON BOMFORD TURNER MASCHINEN SIND JEDOCHÄNDERUGDEN IN DER SPEZIFIKATION UNVERMEIDLICH. WENN DIE INFORMATION IN DIESEM HANDBUCH NICHT MIT IHRER MASCHINE ÜBEREINSTIMMEN, NEHMEN SIE BITTE KONTAKT MIT DER BOMFORD TURNER KUNDENDIENSTABTEILUNG AUF, DIE IHNEN GERNE DIE AKTUELLEN INFORMATION ZUKOMMEN LÄSST.

DAS HANDBUCH KANN SOWOHL BESCHREIBUNGEN FÜR DIE STANDARD AUSFÜHRUNG ALS AUCH FÜR ZUBEHÖR ENTHALTEN UND IST NICHT ALS MASCHINENSPEZIFIKATION ZU VERWENDET.

DIE MASCHINE IST GETESTET UND BEI SACHGEMÄSSEM BETRIEB ALS SICHER BEFUNDEN WORDEN. SORGEN SIE DAFÜR, DASS IHR BEDIENPERSONAL IN ANWENDUNG UND WARTUNG RICHTIG GESCHULT WIRD.

MODEL :- BANDIT 2200 AND SIDE SHIFT

NOTE :- PAGE AND ILLUSTRATION NUMBERS SHOWN ARE USED ONLY FOR REFERENCE PURPOSES AND SHOULD NOT BE USED FOR ORDERING SPARE PARTS. PLEASE ENSURE THE CORRECT PART NUMBER AND DESCRIPTION IS GIVEN WHEN ORDERING SPARE PARTS.

FOR MACHINES WITH SERIAL NUMBERS COMMENCING FROM :

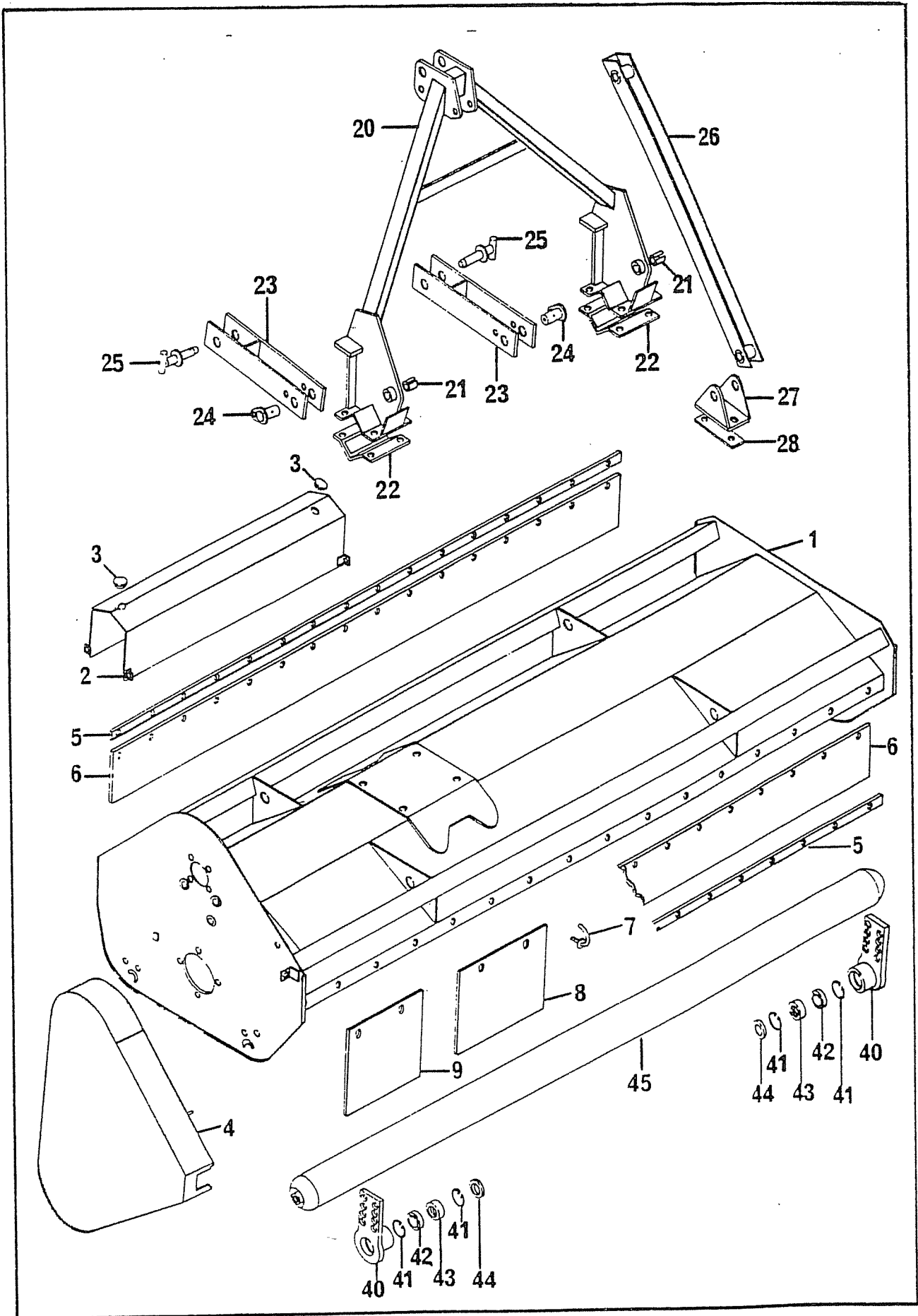
PAGE NUMBER	TITLE
2 - 1 TO 2 - 3	COWL "A" FRAME. ROLLER ASSEMBLY
3 - 1 TO 3 - 2	P.T.O. / GEARBOX PULLEY - ASSEMBLY (REAR MOUNTED) P.T.O. / GEARBOX PULLEY - ASSEMBLY (FRONT MOUNTED)
4 - 1 TO 4 - 2	ROTOR SHAFT ASSEMBLY BEARING ASSEMBLY
5 - 1 TO 5 - 2	DECALS
6 - 1 TO 6 - 2	WHEEL ASSEMBLY (REAR MOUNTED)
7 - 1 TO 7 - 2	WHEEL ASSEMBLY (FRONT MOUNTED)
8 - 1 TO 8 - 2	SIDESHIFT ASSEMBLY

IMPORTANT

IT IS POTENTIALLY HAZARDOUS TO FIT OR USE
ANY PARTS OTHER THAN GENUINE BOMFORD TURNER PARTS.

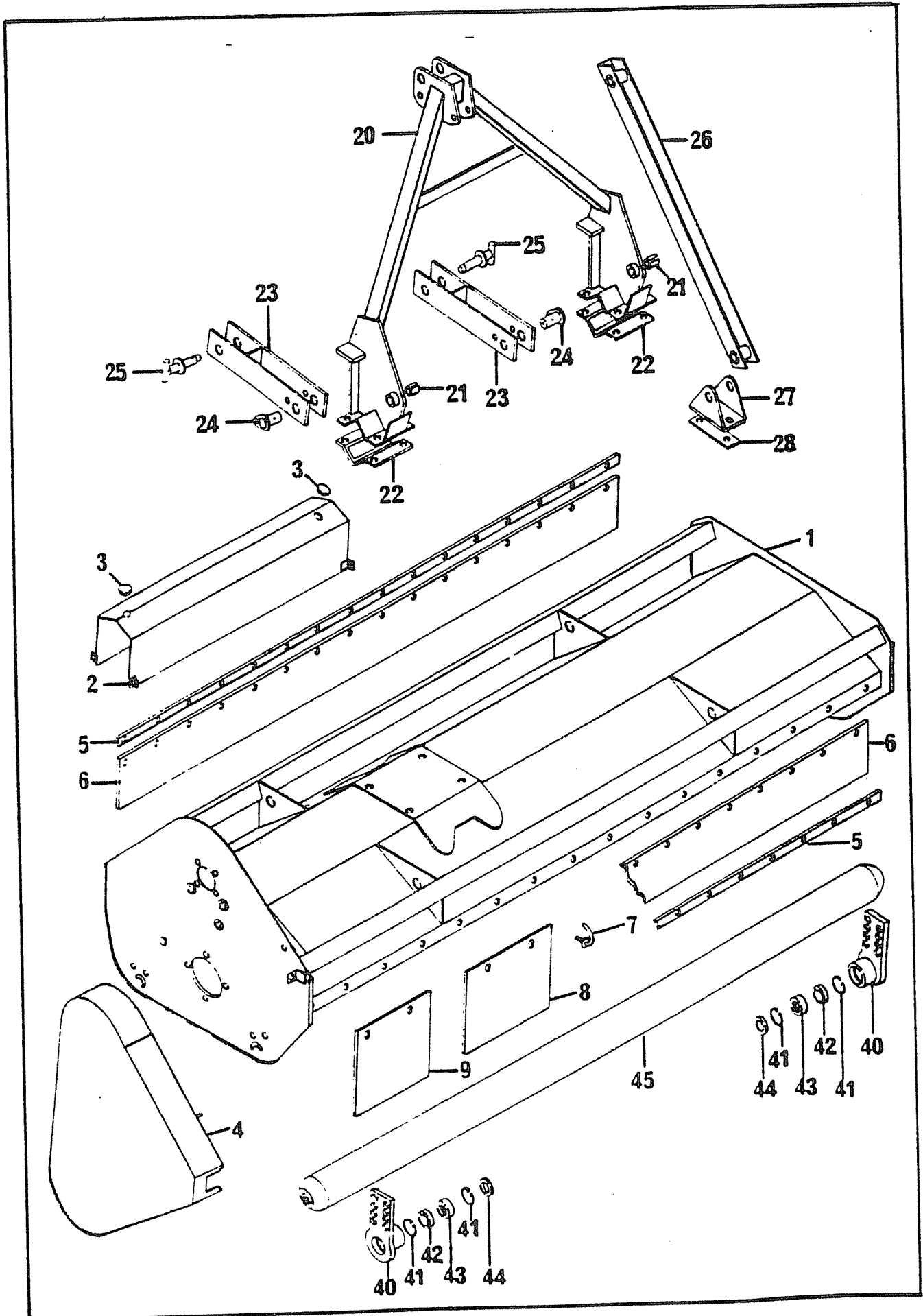
THE COMPANY DISCLAIMS ALL LIABILITY FOR THE
CONSEQUENCES OF SUCH USE, WHICH IN ADDITION
VOIDS THE MACHINE WARRANTY.

THIS MACHINE IS FOR VEGETATION CONTROL AND
MUST NOT BE USED FOR ANY OTHER PURPOSE.



REF	PART NO.	DESCRIPTION	QTY	SERIAL NO. FROM - TO
71.315.03		COWL ASSEMBLY		
01	04.282.06	STUD M12 X 55MM	4	
*01	04.374.01	COWL 2200MM	1	
01	05.281.03	FLAT WASHER 12MM PLATED	4	
01	05.968.03	SELF LOCKING NUT M12 (FINE)	4	
02	05.264.11	SETSCREW M10 X 20MM PLATED	4	
02	05.282.02	SPRING WASHER 10MM PLATED	4	
*02	06.206.01	GUARD DRIVE SHAFT	1	
*03	03.816.01	PLUG-RUBBER 25MM DIA	2	
*04	04.384.01	GUARD - DRIVE	1	
04	05.282.03	SPRING WASHER 12MM PLATED	3	
04	05.286.03	NUT M12 PLATED	3	
*05	04.373.01	BACKING STRIP - GUARD	2)	
05	05.287.01	SELF-LOCKING NUT M8 PLATED	32)	FROM SEPT. 90
05	05.291.01	BOLT M8 X 30MM PLATED	32)	
*06	04.372.01	GUARD - VELBEX PLASTIC	2)	
07	05.282.01	SPRING WASHER 8MM PLATED	16]	
07	05.286.01	NUT M8 PLATED	16]	
*07	06.172.01	CLAMP- BOLT	16]	UP TO SEPT. 90
*08	06.184.01	GUARD - FLAP 294 X 225	6]	
*09	06.185.01	GUARD - FLAP 252 X 225	2]	
71.316.01		'A' FRAME		
*20	04.403.01	"A" FRAME	1	
*21	02.771.07	TENSION BUSH 38 X 30 X 50	2	
*22	02.611.01	CLAMP	2	
22	05.264.26	SETSCREW M12 X 45MM PLATED	8	
22	05.282.03	SPRING WASHER 12MM PLATED	8	
22	05.286.03	NUT M12 PLATED	8	
*23	04.392.01	LINK - "A" FRAME	2	
*24	03.654.07	PIN 3ODIA X 78MM	2	
24	03.786.02	INSTRUCTION PLATE-GREASE M10	2	
24	04.175.01	STUD M10 X 35MM	2	
24	05.234.01	WASHER 1.3/4" X 17/32" X 3/16"	2	
24	05.264.22	SETSCREW M12 X 25MM PLATED	2	
24	05.281.02	FLAT WASHER 10MM PLATED	2	
24	05.282.03	SPRING WASHER 12MM PLATED	2	
24	05.953.03	GREASE NIPPLE M10	2	
24	05.968.02	SELF LOCKING NUT M10 (FINE)	2	
25	00.372.01	LINCH PIN	2	
*25	00.550.02	PIN 1.1/8DIA X 4.1/2	2	
*26	04.391.01	STAY - "A" FRAME	1	
26	05.282.04	SPRING WASHER 16MM PLATED	2	
26	05.286.04	NUT M16 PLATED	2	
26	05.292.33	BOLT M16 X 100MM PLATED	2	
*27	04.397.01	BRACKET - "A" FRAME STAY	1	
27	05.282.03	SPRING WASHER 12MM PLATED	2	
27	05.286.03	NUT M12 PLATED	2	
27	05.292.24	BOLT M12 X 110MM PLATED	2	
*28	04.395.01	PLATE - CLAMP	1	

* MAIN PART IN GROUP, RELATED PARTS HAVE SAME REFERENCE NUMBER

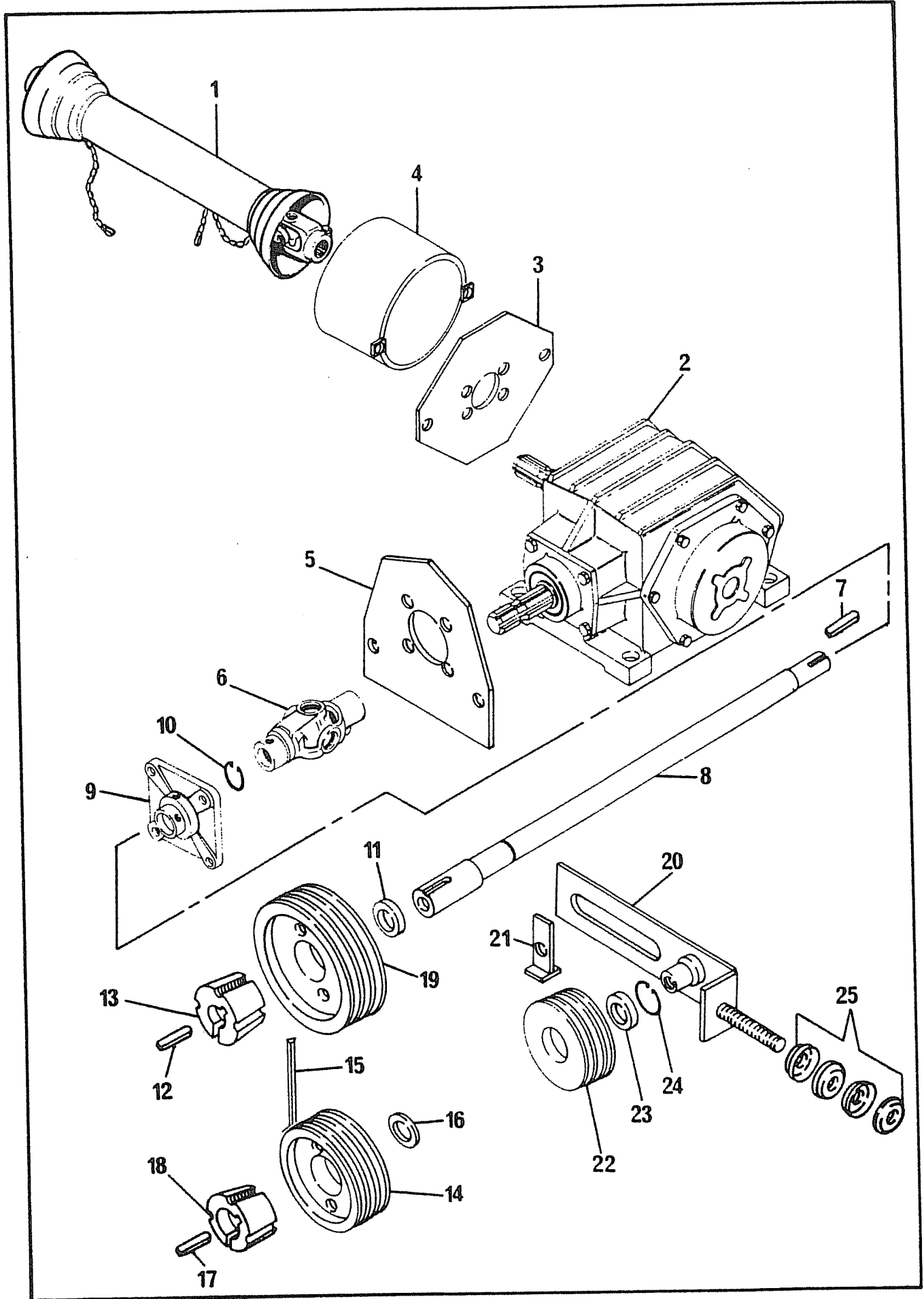


COWL, 'A' FRAME AND ROLLER ASSEMBLY

REF	PART NO.	DESCRIPTION	QTY	SERIAL NO. FROM - TO
71.317.01		<u>ROLLER ASSEMBLY</u>		
*40	04.387.01	BRACKET - ROLLER	2	
40	05.264.25	SETSCREW M12 X 40MM PLATED	4	
40	05.282.03	SPRING WASHER 12MM PLATED	4	
40	05.287.03	SELF-LOCKING NUT M12 PLATED	4	
*41	05.959.05	CIRCLIP - INT 62MM DIA	4	
*42	03.007.02	BEARING - BALL 30MM BORE	2	
*43	04.164.04	SEAL-LIP 40DIA X 10MM	2	
*44	04.394.01	FLANGE-BEARING RETAINER	2	
44	05.953.01	GREASE NIPPLE M6	4	
*45	04.388.04	ROLLER 114 DIA X 2200MM	1	
45	05.234.01	WASHER 1.3/4" X 17/32" X 3/16"	2	
45	05.264.23	SETSCREW M12 X 30MM PLATED	2	
45	05.282.03	SPRING WASHER 12MM PLATED	2	
45	06.183.03	2200MM ROLLER PROD.ASSY	-	(INC REF NOS 40 TO 45)

* MAIN PART IN GROUP, RELATED PARTS HAVE SAME REFERENCE NUMBER

PTO, GEARBOX AND PULLEY ASSEMBLIES



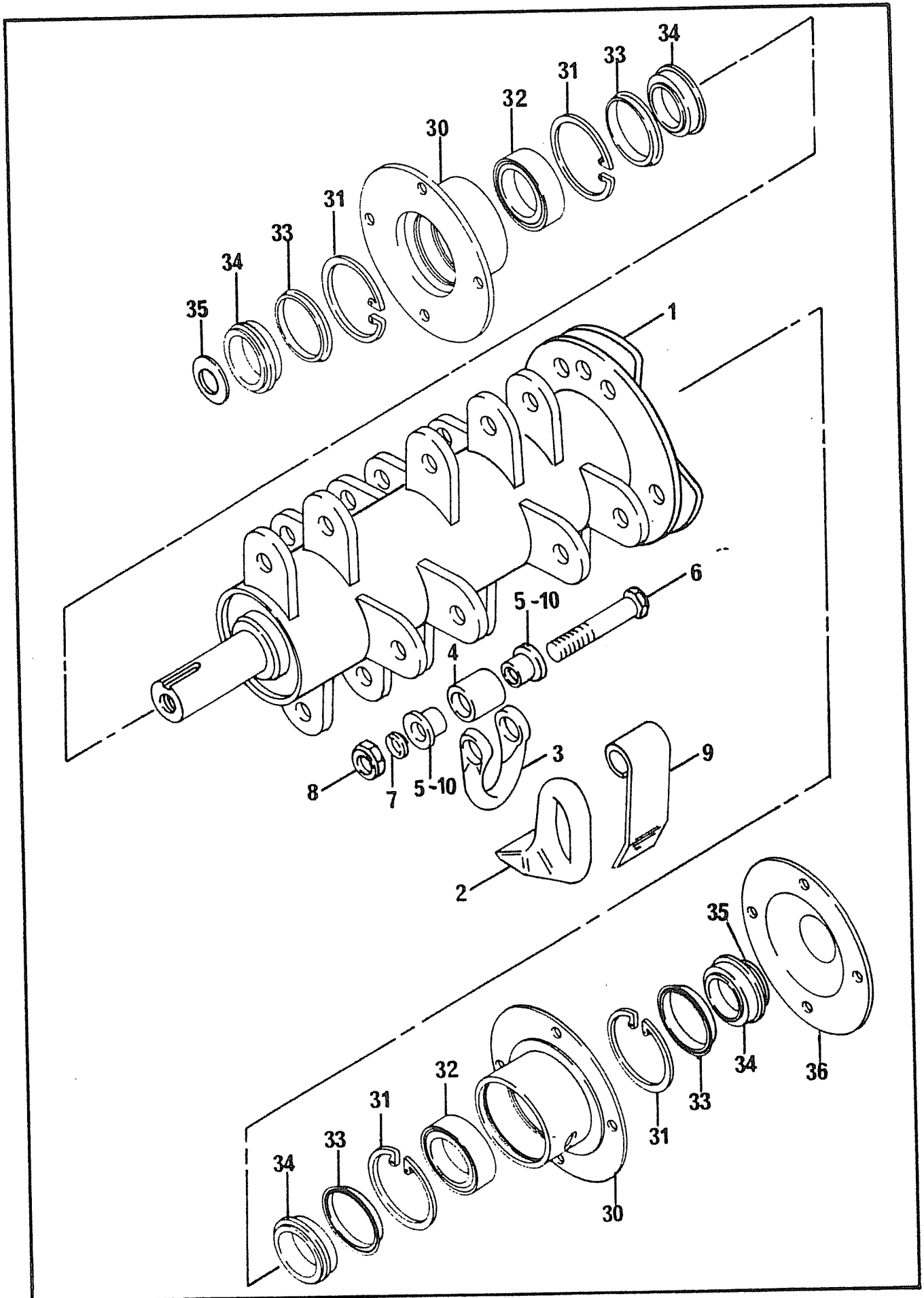
PTO, GEARBOX AND PULLEY ASSEMBLIES

71.318.01, 71.941.01

REF	PART NO.	DESCRIPTION	QTY	SERIAL NO. FROM - TO
*01	04.402.03	P.T.O. SHAFT ASSY 685MM C/C	1	
01	04.402.04	P.T.O GUARD ASSY 685MM C/C	-	
01	06.154.13	PTO JOURNAL BEARING KIT	-	
*02	04.400.01	GEARBOX ASSEMBLY - REAR MOUNTED	1	
*02	04.400.21	GEARBOX ASSEMBLY - FRONT MOUNTED	1	
*03	04.393.01	PLATE - PTO GUARD	1	
03	05.264.01	SETSCREW M8 X 20MM PLATED	4	
03	05.282.01	SPRING WASHER 8MM PLATED	4	
04	05.264.01	SETSCREW M8 X 20MM PLATED	2	
04	05.282.01	SPRING WASHER 8MM PLATED	2	
04	05.286.01	NUT M8 PLATED	2	
*04	06.170.02	GUARD - PTO	1	
*05	06.203.01	PLATE-DRIVE SHAFT GUARD	1	
*06	03.462.03	PTO SINGLE JOINT ASSY	1	
06	05.825.01	JOURNAL BEARING KIT	-	
06	05.929.01	SOCKET GRUB SCREW 1/2" UNF X 1"	-	
06	05.288.04	NUT 1/2" UNF PLATED	-	
*07	01.071.14	KEY-SEP 3/8 X 5/16 X 2	1	
*08	04.390.01	SHAFT - DRIVE	1	
*09	03.008.01	BEARING ASSY - FLANGED 40 BORE	1	
09	05.264.24	SETSCREW M12 X 35MM PLATED	4	
09	05.282.03	SPRING WASHER 12MM PLATED	4	
09	05.286.03	NUT M12 PLATED	4	
*10	05.959.04	CIRCLIP - EXT 40MM DIA	1	
*11	04.385.01	SPACER 55 O/D X 45.5 I/D X 33	1	
*12	05.960.13	KEY-S/REP 14MM X 9MM X 45MM	1	
*13	05.424.17	TAPER-LOCK BUSH 45MM BORE	1	
*14	04.451.01	PULLEY-VEE 236 P.C.D. 3 SPB	1	
*15	05.299.27	BELT-VEE S.P.B.1600	3	
*16	06.216.01	SPACER 55 O/D X 45.5 I/D X 9	1	
*17	05.960.13	KEY-S/REP 14MM X 9MM X 45MM	1	
*18	05.424.17	TAPER-LOCK BUSH 45MM BORE	1	
*19	04.451.03	PULLEY-VEE 315 P.C.D. 3 SPB	1	
*20	04.399.01	BRACKET - IDLER PULLEY	1	
20	05.234.01	WASHER 1.3/4" X 17/32" X 3/16"	1	
20	05.264.22	SETSCREW M12 X 25MM PLATED	1	
20	05.282.03	SPRING WASHER 12MM PLATED	1	
20	05.286.03	NUT M12 PLATED	2	
20	05.298.02	BOLT 7/16"UNF X 1.3/4"	8	
*21	04.401.01	PLATE - BRACKET IDLER PULLEY	1	
21	05.264.22	SETSCREW M12 X 25MM PLATED	1	
21	05.282.03	SPRING WASHER 12MM PLATED	1	
*22	04.398.01	PULLEY-VEE 120MM P.C.D. 3 SPB	1	
*23	01.083.01	BEARING - BALL 3/4" BORE	2	
*24	01.072.02	CIRCLIP - INT 1.7/8" DIA	1	

* MAIN PART IN GROUP, RELATED PARTS HAVE SAME REFERENCE NUMBER

ROTOR SHAFT AND BEARING ASSEMBLIES

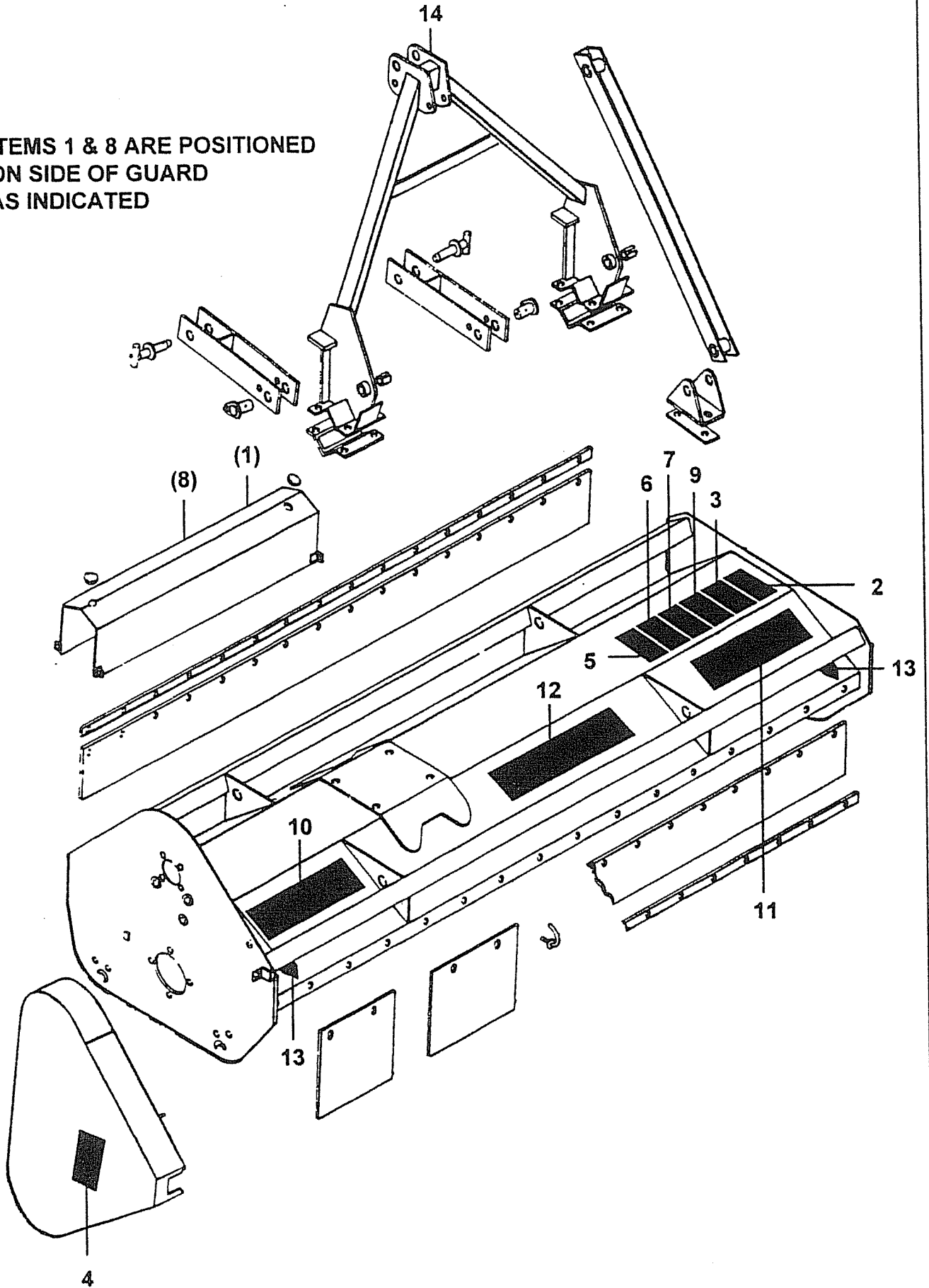


ROTOR SHAFT AND BEARING ASSEMBLIES

REF	PART NO.	DESCRIPTION	QTY	SERIAL NO. FROM - TO
71.319.03		<u>ROTOR SHAFT ASSEMBLY</u>		
	04.581.05	ROTOR SHAFT ASSEMBLY COMPRISING:-		
*01		ROTOR SHAFT 2200MM	1	
*02	02.959.01	FLAIL - FORGED	64	
*03	05.895.01	SHACKLE-FORGED	64	
*04	02.807.01	SPACER 1"O/D X 16MM I/D X 7MM	64	
*05	02.801.03	COLLAR-PIVOT 10.5 I/D X 30 LONG	128	OCTOBER 1988
*05	02.801.01	COLLAR-PIVOT 10.5 I/D X 26.15 O/D X 24	128	CHECK BUILD
*06	05.775.02	BOLT M10 X 86MM (FINE)	64	
*07	05.282.02	SPRING WASHER 10MM PLATED	64	
*08	05.968.02	SELF LOCKING NUT M10 (FINE)	64	
71.321.03		<u>ROTOR SHAFT ASSEMBLY</u>		
	04.581.04	ROTOR SHAFT ASSEMBLY COMPRISING:-		
*01		ROTOR SHAFT 2200MM	1	
*06	05.775.02	BOLT M10 X 86MM (FINE)	64	
*07	05.282.02	SPRING WASHER 10MM PLATED	64	
*08	05.968.02	SELF LOCKING NUT M10 (FINE)	64	
*09	06.189.01	FLAIL-FORMED 40 X 8	64	
*10	06.192.01	COLLAR-PIVOT 10.5 I/D X 30	128	OCTOBER 1988
*10	06.192.02	COLLAR-PIVOT 10.5 I/D X 26.19 O/D X 21.5	128	CHECK BUILD
71.077.01		<u>BEARING ASSEMBLY</u>		
*30	04.268.01	HOUSING-BEARING	2	
30	04.549.05	BEARING AND HOUSING PROD.ASSY	-	
30	05.264.23	SETSCREW M12 X 30MM PLATED	8	
30	05.282.03	SPRING WASHER 12MM PLATED	8	
30	05.286.03	NUT M12 PLATED	8	
30	05.953.03	GREASE NIPPLE M10	2	
*31	05.959.07	CIRCLIP - INT.85MM DIA	4	
*32	04.163.04	BEARING-SPH.ROLLER 45MM BORE	2	
*33	06.909.01	SPACER-SEAL (METAL)	4)	1988
*34	06.910.01	COLLAR-SEAL (METAL)	4)	PRODUCTION
*35	04.252.01	WASHER 65 O/DX17 I/DX6MM	2	
35	05.264.33	SETSCREW M16 X 30MM PLATED	2	
35	05.283.04	SHAKEPROOF WASHER 16MM PLATED	2	
*36	00.876.02	BEARING COVER	1	
*33	06.909.01	SPACER-SEAL	4)	1989
*34	06.910.01	COLLAR-SEAL	4)	PRODUCTION

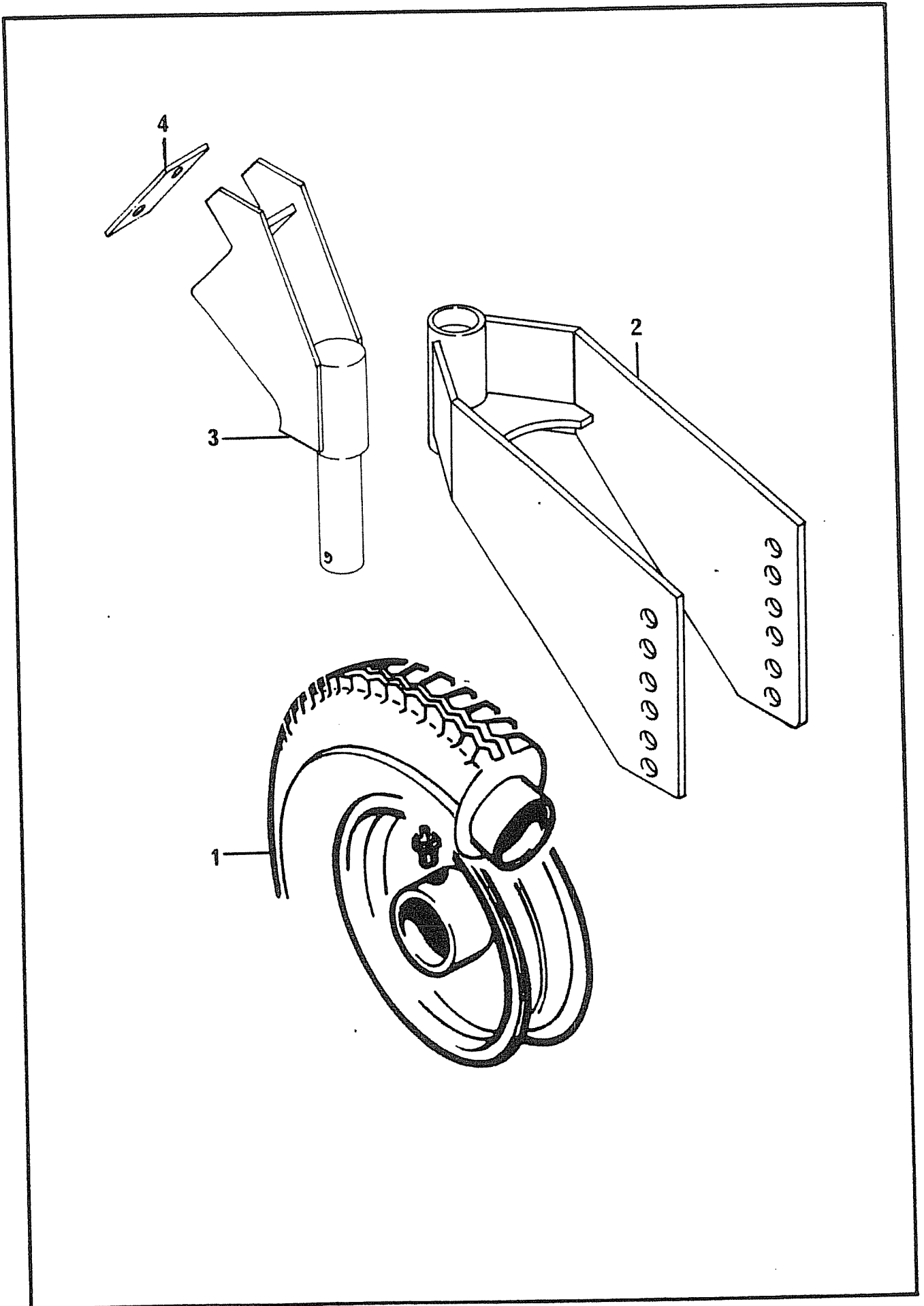
* MAIN PART IN GROUP, RELATED PARTS HAVE SAME REFERENCE NUMBER.

ITEMS 1 & 8 ARE POSITIONED
ON SIDE OF GUARD
AS INDICATED



REF	PART NO.	DESCRIPTION	QTY
	74.909.01	DECALS	
01	09.811.04	DECAL - MAX PTO SPEED 540 ACW	1
02	09.821.01	DECAL - READ INSTRUCTION BOOK	1
03	09.821.08	DECAL - SAFEWORKING ON HEAD	1
04	09.821.10	DECAL - KEEP NUTS TIGHT	1
05	09.821.16	DECAL - KEEP OUT ZONE	1
06	09.821.17	DECAL - UNSUPPORTED MACHINE	1
07	09.821.18	DECAL - THROWN DEBRIS	1
08	09.821.20	DECAL - SHAFT ENTANGLEMENT	1
09	09.821.24	DECAL - FLAIL HEAD DANGER	1
	71.320.02	DECALS	
10	06.958.02	DECAL - BOMFORD	1
11	06.959.11	DECAL - 2200	1
12	06.964.01	DECAL - BANDIT	1
13	09.810.01	DECAL - GREASE (8 HOURS)	6
14	09.843.03	DECAL - LIFT POINT 500KG	4

CASTOR WHEEL ASSEMBLY - REAR MOUNTED



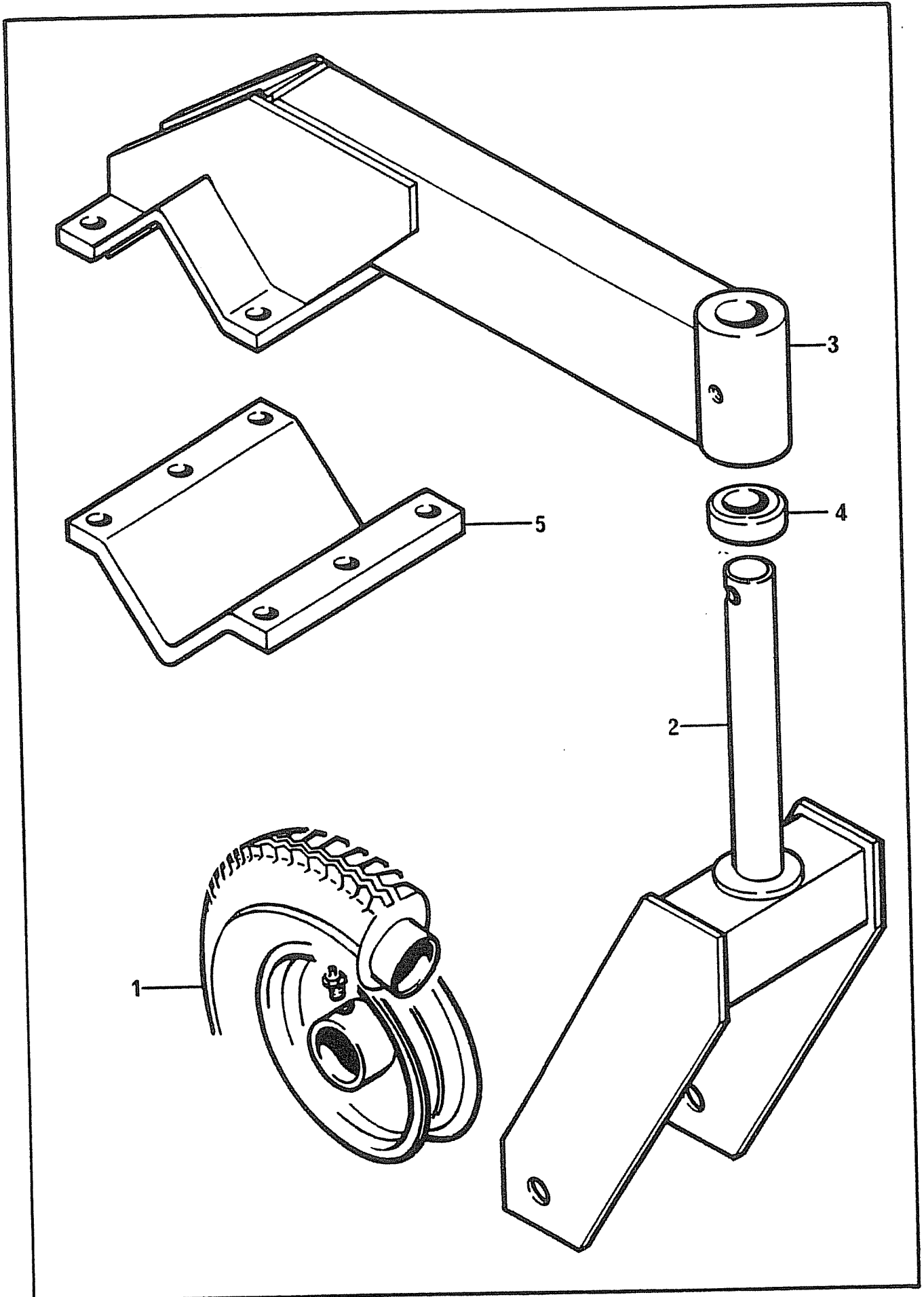
CASTOR WHEEL ASSEMBLY - REAR MOUNTED

71.332.01

REF	PART NO.	DESCRIPTION	QTY	SERIAL NO. FROM - TO
*01	01.618.01	WHEEL/TYRE ASSY. 4.00 X 8 4 PLY	1	
02	05.253.36	BOLT 5/8" UNF X 6"	1	
02	05.282.04	SPRING WASHER 16MM	1	
02	05.288.05	NUT 5/8" UNF PLATED	1	
*02	06.187.01	BRACKET-WHEEL CROTCH	1	
03	00.372.01	LINCH PIN	1	
03	05.281.07	FLAT WASHER 30MM	1	
*03	06.188.01	BRACKET-CLAMP	1	
04	05.282.04	SPRING WASHER 16MM	2	
04	05.286.04	NUT M16	2	
04	05.292.34	BOLT M16 X 110MM	2	
*04	06.186.01	CLAMP	1	

* MAIN PART IN GROUP, RELATED PARTS HAVE SAME REFERENCE NUMBER

CASTOR WHEEL ASSEMBLY - FRONT MOUNTED

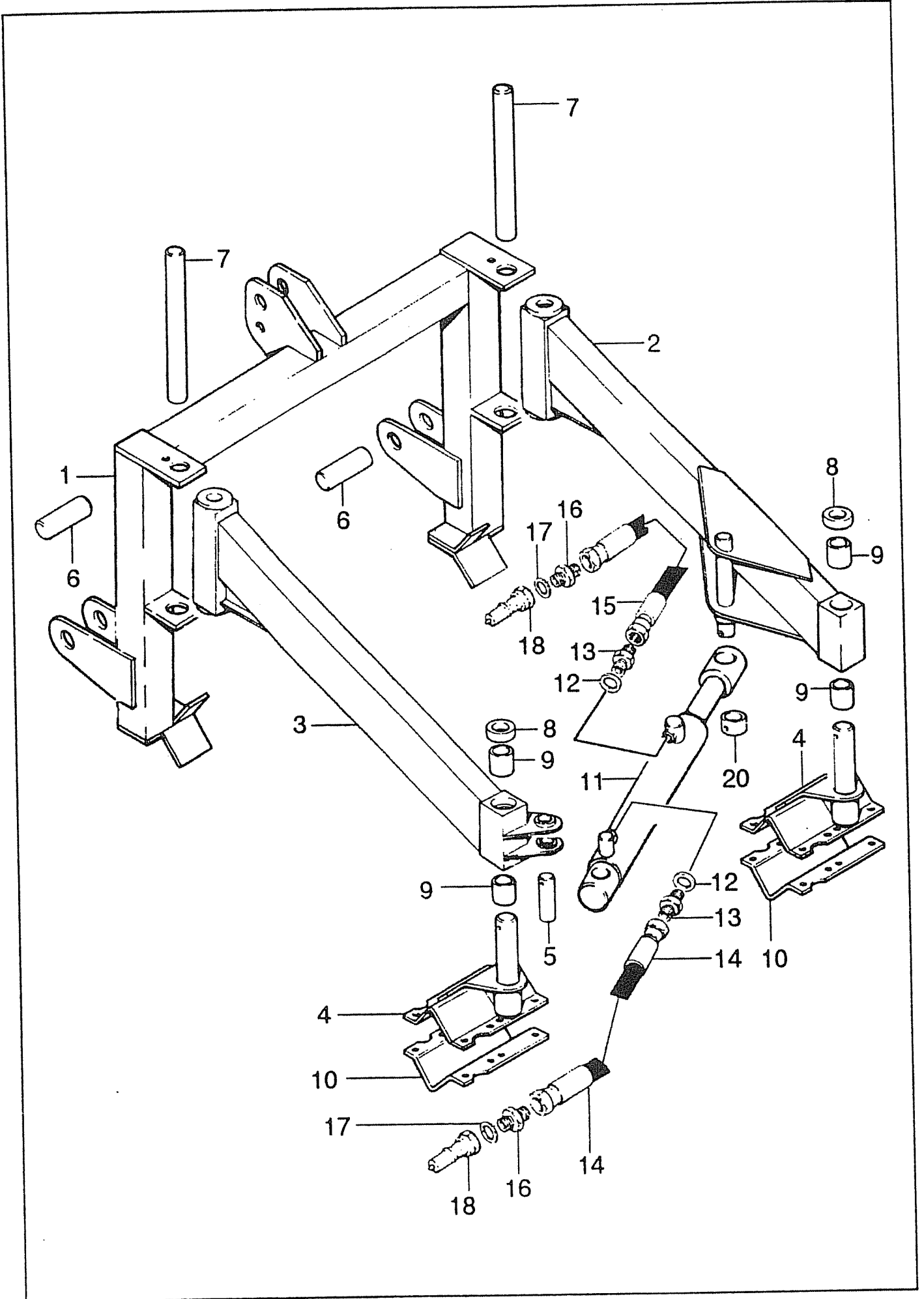


CASTOR WHEEL ASSEMBLY - FRONT MOUNTED

71.941.01

REF	PART NO.	DESCRIPTION	QTY	SERIAL NO. FROM - TO
*01	01.618.01	WHEEL/TYRE ASSY. 4.00 X 8 4 PLY	2	
01	05.253.36	BOLT 5/8" UNF X 5" PLATED	2	
01	05.282.04	SPRING WASHER 16MM PLATED	2	
01	05.288.05	NUT 5/8" UNF PLATED	2	
*02	07.545.01	YOKE - WHEEL	2	
*03	07.544.01	BRACKET - WHEEL	2	
03	00.372.01	LINCH PIN	2	
*04	07.546.01	SPACER 45MM X 30.5MM X 10	20	
*05	02.611.01	CLAMP	2	
05	05.264.26	SETSCREW M12 X 45MM PLATED	8	
05	05.282.03	SPRING WASHER 16MM	2	
05	05.286.03	NUT M12 PLATED	8	

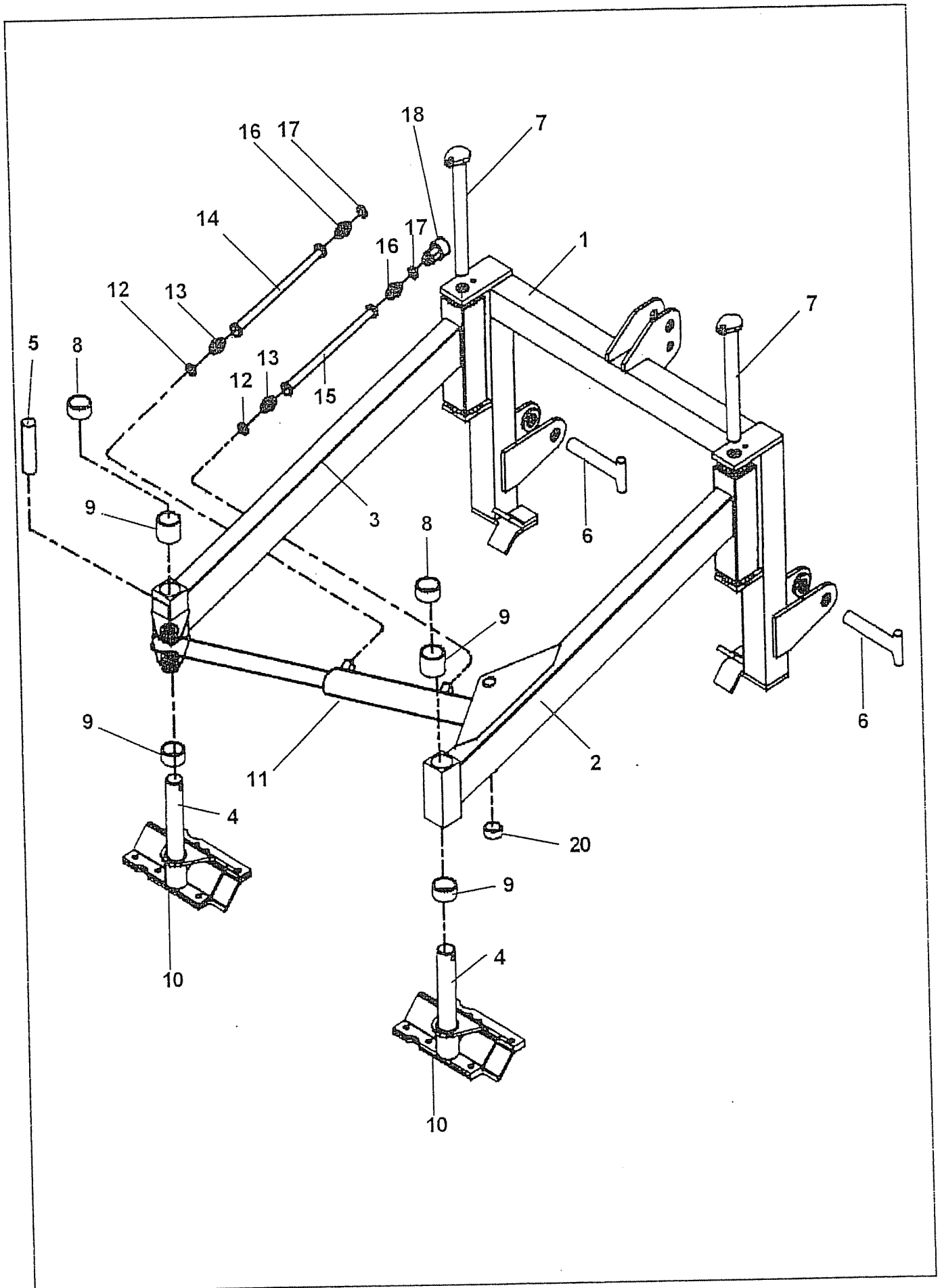
* MAIN PART IN GROUP, RELATED PARTS HAVE SAME REFERENCE NUMBER



REF	PART NO.	DESCRIPTION	QTY	SERIAL NO. FROM - TO
72.247.01		SIDESHIFT		
*01	08.882.01	FRAME - MOUNTING	1	
02	03.786.01	INSTRUCTION PLATE-GREASE M6	1	
02	05.953.01	GREASE NIPPLE M6	1	
*02	08.883.01	LINK - SUPPORT RIGHT	1	
03	03.786.01	INSTRUCTION PLATE-GREASE M6	1	
03	05.953.01	GREASE NIPPLE M6	1	
*03	08.883.02	LINK - SUPPORT LEFT	1	
*04	08.884.01	BRACKET - LINK	2	
*05	03.653.32	PIN 25 DIA X 106	1	
05	03.786.01	INSTRUCTION PLATE-GREASE M6	1	
05	05.201.07	TENSION PIN 8MM X 45MM PLATED	1	
05	05.953.01	GREASE NIPPLE M6	1	
06	00.372.01	LINCH PIN	2	
*06	06.318.01	PIN-1.1/8" DIA X 103	2	
07	03.654.48	PIN 30 DIA X 310	2	
*07	03.786.01	INSTRUCTION PLATE-GREASE M6	4	
07	05.264.11	SETSCREW M10 X 20MM PLATED	2	
07	05.281.02	FLAT WASHER 10MM PLATED FORM C	2	
07	05.282.02	SPRING WASHER 10MM PLATED	2	
07	05.953.01	GREASE NIPPLE M6	4	
*08	03.837.01	SPACER 55 X 40.5 X 20 PLATED	2	
08	05.264.51	SETSCREW M10 X 65MM PLATED	2	
08	05.287.02	SELF-LOCKING NUT M10 PLATED	2	
*09	08.297.02	BUSH - PLASTIC 47 X 40 X 40	4	
10	05.264.25	SETSCREW M12 X 40MM PLATED	12	
10	05.282.03	SPRING WASHER 12MM PLATED	12	
10	05.286.03	NUT M12 PLATED	12	
*10	07.947.01	CLAMP - COWL BRACKET	2	
*11	03.842.28	RAM ASSY 50 BORE X 320 STROKE	1	
*12	05.290.04	BONDED SEAL 3/8"BSP	2	
*13	01.099.01	ADAPTOR 3/8BSP X 1/4BSP	2	
*14	10.001.37	HOSE 1/4"BSP ST X ST S.SEAL 2700	1	
*15	10.001.37	HOSE 1/4"BSP ST X ST S.SEAL 2700	1	
*16	01.099.03	ADAPTOR 1/2BSP X 1/4BSP	2	
*17	05.290.05	BONDED SEAL 1/2"BSP	2	
*18	05.146.01	Q/R COUPLING 1/2" BSP MALE	2	
20	05.201.07	TENSION PIN 8MM X 45MM PLATED	1	
*20	08.926.01	COLLAR	1	

*MAIN PART IN GROUP, RELATED PARTS HAVE SAME REFERENCE NUMBER

SIDESHIFT



REF	PART NO.	DESCRIPTION	QTY
72.247.01 SIDE SHIFT ASSY			
01	08.882.01	FRAME - MOUNTING	1
02	05.953.01	GREASE NIPPLE M6	1
*02	08.883.01	LINK - SUPPORT RH	1
03	05.953.01	GREASE NIPPLE M6	1
*03	08.883.02	LINK - SUPPORT LH	1
04	08.884.01	BRACKET - LINK	2
*05	03.653.32	PIN 25 DIA X 106	1
05	05.201.07	TENSION PIN 8MM X 45MM PLATED	1
05	05.953.01	GREASE NIPPLE M6	1
06	00.372.01	LINCH PIN	2
*06	06.318.01	PIN-1.1/8" DIA X 103	2
*07	03.654.48	PIN 30 DIA X 310	2
07	05.264.11	SETSCREW M10 X 20MM PLATED	2
07	05.281.02	FLAT WASHER 10MM PLATED FORM C	2
07	05.282.02	SPRING WASHER 10MM PLATED	2
07	05.953.01	GREASE NIPPLE M6	4
*08	03.837.01	SPACER 55 X 40.5 X 20 PLATED	2
08	05.264.51	SETSCREW M10 X 65MM PLATED	2
08	05.287.02	SELF-LOCKING NUT M10 PLATED	2
09	08.297.02	BUSH - PLASTIC 47 X 40 X 40	4
10	05.264.25	SETSCREW M12 X 40MM PLATED	12
10	05.282.03	SPRING WASHER 12MM PLATED	12
10	05.286.03	NUT M12 PLATED	12
*10	07.947.01	CLAMP - COWL BRACKET	2
11	03.842.28	RAM ASSY 50 BORE X 320 STROKE	1
12	05.290.04	BONDED SEAL 3/8"BSP	2
13	01.099.01	ADAPTOR 3/8BSP X 1/4BSP	2
14	10.001.37	HOSE 1/4"BSP STXST S.SEAL 2700	1
15	10.001.37	HOSE 1/4"BSP STXST S.SEAL 2700	1
16	01.099.03	ADAPTOR 1/2BSP X 1/4BSP	2
17	05.290.05	BONDED SEAL 1/2"BSP	2
18	05.146.01	Q/R COUPLING 1/2" BSP MALE	2
19	08.885.01	DECAL - SIDE SHIFT	1
20	05.201.07	TENSION PIN 8MM X 45MM PLATED	1
*20	08.926.01	COLLAR	1

*MAIN PART IN GROUP, RELATED PARTS HAVE SAME REFERENCE NUMBER