

PM 907

**BANDIT 1700**  
**TRAILED MOWER**

PARTS MANUAL

ISSUE 2

## IMPORTANT

NOTE HERE THE SERIAL NUMBER OF YOUR MACHINE AND ALWAYS QUOTE IT IN ANY COMMUNICATION WITH US OR YOUR DEALER. THIS IS PARTICULARLY IMPORTANT WHEN ORDERING SPARES. REMEMBER TO INCLUDE ALL NUMBERS AND LETTERS.

MACHINE SERIAL NUMBERS \_\_\_\_\_

THE INFORMATION GIVEN THROUGHOUT THIS MANUAL IS CORRECT AT THE TIME OF PUBLICATION. HOWEVER, IN THE COURSE OF CONSTANT DEVELOPMENT OF BOMFORD TURNER MACHINES, CHANGES IN SPECIFICATION ARE INEVITABLE. SHOULD YOU FIND THE INFORMATION GIVEN IN THIS BOOK TO BE AT VARIANCE WITH THE MACHINE IN YOUR POSSESSION, YOU ARE ADVISED TO CONTACT THE BOMFORD TURNER SERVICE DEPARTMENT WHERE UP-TO-DATE INFORMATION WILL BE PROVIDED.

THE MANUAL CAN CONTAIN STANDARD AND OPTIONAL FEATURES AND IS NOT TO BE USED AS A MACHINE SPECIFICATION.

THE MACHINE HAS BEEN TESTED AND IS CONSIDERED SAFE IF CAREFULLY USED. ENSURE YOUR OPERATOR IS PROPERLY TRAINED IN ITS USE AND MAINTENANCE.

---

## IMPORTANT

NOTEZ ICI LES NUMEROS DE SERIE DE VOTRE MACHINE ET MENTIONNEZ LES DANS TOUTE COMMUNICATION AVEC NOS SERVICES OU VOTRE REVENDEUR. CECI EST IMPORTANT POUR LA COMMANDE DE PIECES DETACHEES. PENSEZ A NOTER TOUS LES NUMEROS ET TOUTES LES LETTERS.

NUMEROS DE SERIE DE LA MACHINE \_\_\_\_\_

LES INFORMATIONS DONNEES DANS CE MANUEL SONT CORRECTES CEPENDANT, DU FAIT DE DEVELOPPEMENT CONSTANT DES MACHINES BOMFORD TURNER.

CHANGEMENTS DANS LES CARACTERISTIQUES SONT INEVITABLES.

SI VOUS TROUVEZ QUE LES INFORMATIONS DONNEES NE CORRESPONDENT PAS A VOTRE MACHINE VEUILLEZ CONTACTER LE SERVICE DES REPARATIONS OU DES INFORMATIONS PLUS RECENTES VOUS SERONT DONNEES. CE MANUEL PEUT MONTRER DES CARACTERISTIQUES OPTIONNELLES ET NE PEUT PAS ETRE CONSIDERE COMME SPECIFICATION DE LA MACHINE.

CETTE MACHINE A ETE TESTEE, ET ELLE EST CONSIDEREE COMME FIABLE A CONDITION D'UNE BONNE UTILISATION. ASSUREZ-VOUS QUE VOTRE OPERATEUR EST QUALIFIE EN CE QUI CONCERNE L'UTILISATION DE LA MACHINE AINSI QUE SON ENTRETIEN.

---

## WICHTIG

TRAGEN SIE HIER DIE SERIENNUMMERN IHRER MASCHINE EIN UND GEBEN SIE DIESE IMMER AN, WENN SIE SICH AN UNS ODER IHREN HÄNDLER WENDEN. DAS IST BESONDERS BEI ERSATZTEILBESTELLUNGEN WICHTIG. VERGESSEN SIE NICHT, ALLE ZAHLEN UND BUCHSTABEN ZU NOTIEREN.

SERIENNUMMERN DER MASCHINE \_\_\_\_\_

DIE ANGABEN IN DIESEM HANDBUCH SIND BEI VERÖFFENTLICHUNG KORREKT. AUFGRUND DER KONSTANTEN WEITERENTWICKLUNG VON BOMFORD TURNER MASCHINEN SIND JEDOCHÄNDERUGDEN IN DER SPEZIFIKATION UNVERMEIDLICH. WENN DIE INFORMATION IN DIESEM HANDBUCH NICHT MIT IHRER MASCHINE ÜBEREINSTIMMEN, NEHMEN SIE BITTE KONTAKT MIT DER BOMFORD TURNER KUNDENDIENSTABTEILUNG AUF, DIE IHNEN GERNE DIE AKTUELLEN INFORMATION ZUKOMMEN LÄSST.

DAS HANDBUCH KANN SOWOHL BESCHREIBUNGEN FÜR DIE STANDARD AUSFÜHRUNG ALS AUCH FÜR ZUBEHÖR ENTHALTEN UND IST NICHT ALS MASCHINENSPEZIFIKATION ZU VERWENDET.

DIE MASCHINE IST GETESTET UND BEI SACHGEMÄSSEM BETRIEB ALS SICHER BEFUNDEN WORDEN. SORGEN SIE DAFÜR, DASS IHR BEDIENPERSONAL IN ANWENDUNG UND WARTUNG RICHTIG GESCHULT WIRD.

NOTE: PAGE AND ILLUSTRATIONS NUMBERS SHOWN ARE USED ONLY FOR REFERENCE PURPOSES AND SHOULD NOT BE USED FOR ORDERING SPARE PARTS. PLEASE GIVE FULL PART NUMBER AND DESCRIPTION WHEN ORDERING SPARE PARTS.

FOR MACHINES WITH SERIAL NUMBERS COMMENCING FROM:

BANDIT 1700 ..... **1163k** .....

PAGE NO.	TITLE	SCHEDULE NO.
2-1 TO 2-3	COWL	71.388.03
	ROLLER ASSEMBLY	71.390.01
	'A' FRAME	71.389.01
3-1 TO 3-2	PTO/GEARBOX/PULLEY ASSEMBLY	71.391.03
4-1 TO 4-2	TUBULAR ROTOR SHAFT	71.393.01
	BEARING ASSEMBLY	71.076.01
5-1 TO 5-2	CRUCIFORM ROTOR SHAFT	71.392.01
	BEARING ASSEMBLY	71.339.01
6-1 TO 6-2	DECALS	71.395.01

WHERE A PARTS LIST HAS NECESSITATED TWO PAGES OF TEXT THE CORRESPONDING ILLUSTRATION HAS BEEN REPEATED ON THE FACING PAGE PURELY FOR CONVENIENT REFERENCING.

## IMPORTANT

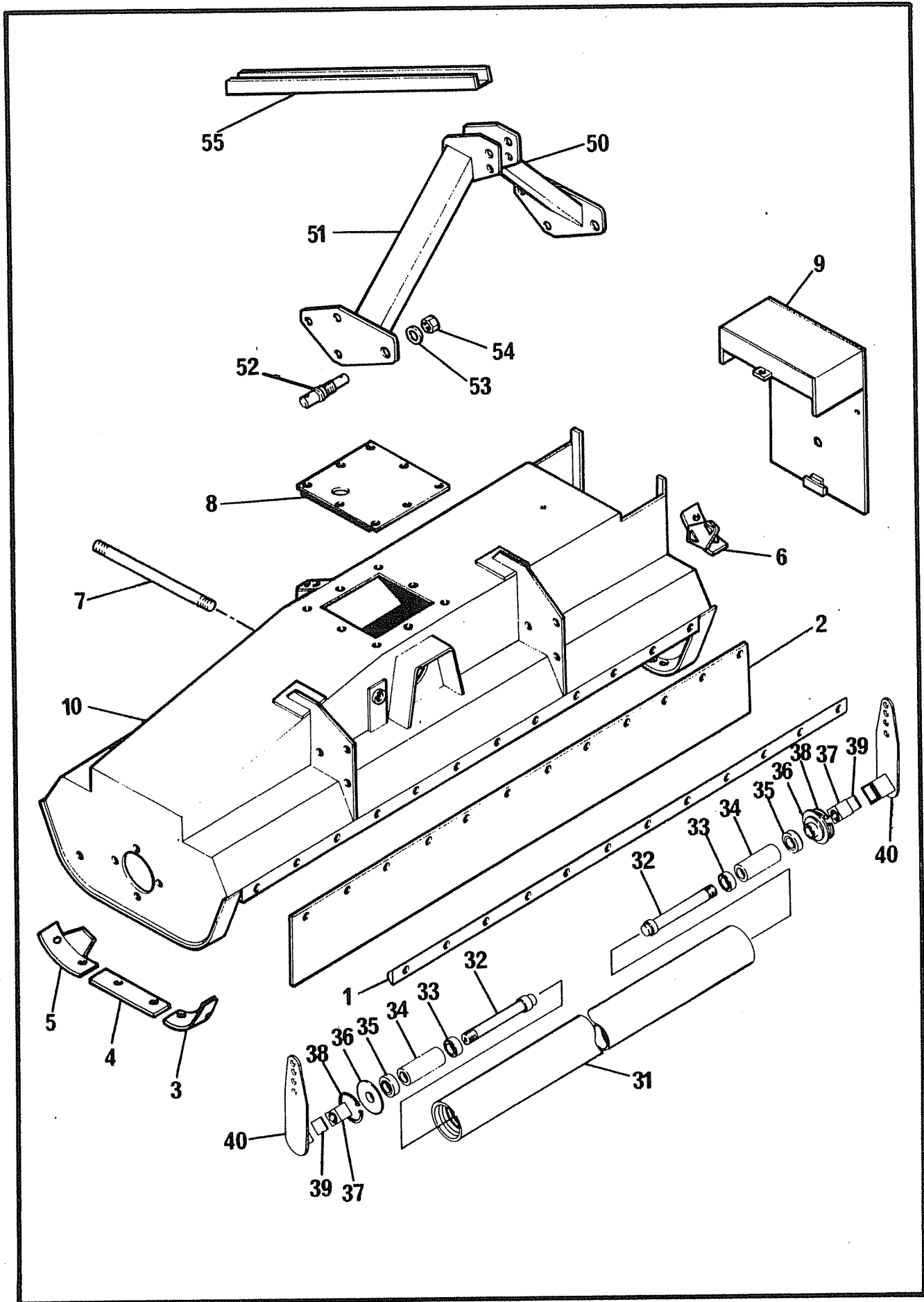
IT IS POTENTIALLY HAZARDOUS TO FIT OR USE  
ANY PARTS OTHER THAN GENUINE BOMFORD TURNER PARTS.

THE COMPANY DISCLAIMS ALL LIABILITY FOR THE  
CONSEQUENCES OF SUCH USE, WHICH IN ADDITION  
VOIDS THE MACHINE WARRANTY.

THIS MACHINE IS FOR VEGETATION CONTROL AND  
MUST NOT BE USED FOR ANY OTHER PURPOSE

THE ILLUSTRATION AND TEXT COMBINE STANDARD, ALTERNATIVE AND OPTIONAL PARTS AND MUST NOT BE USED AS A PRODUCT SPECIFICATION.

CHECK REAR OF MANUAL FOR UPDATES



## COWL 1700, ROLLER ASSEMBLY, 'A' FRAME

71.388.03

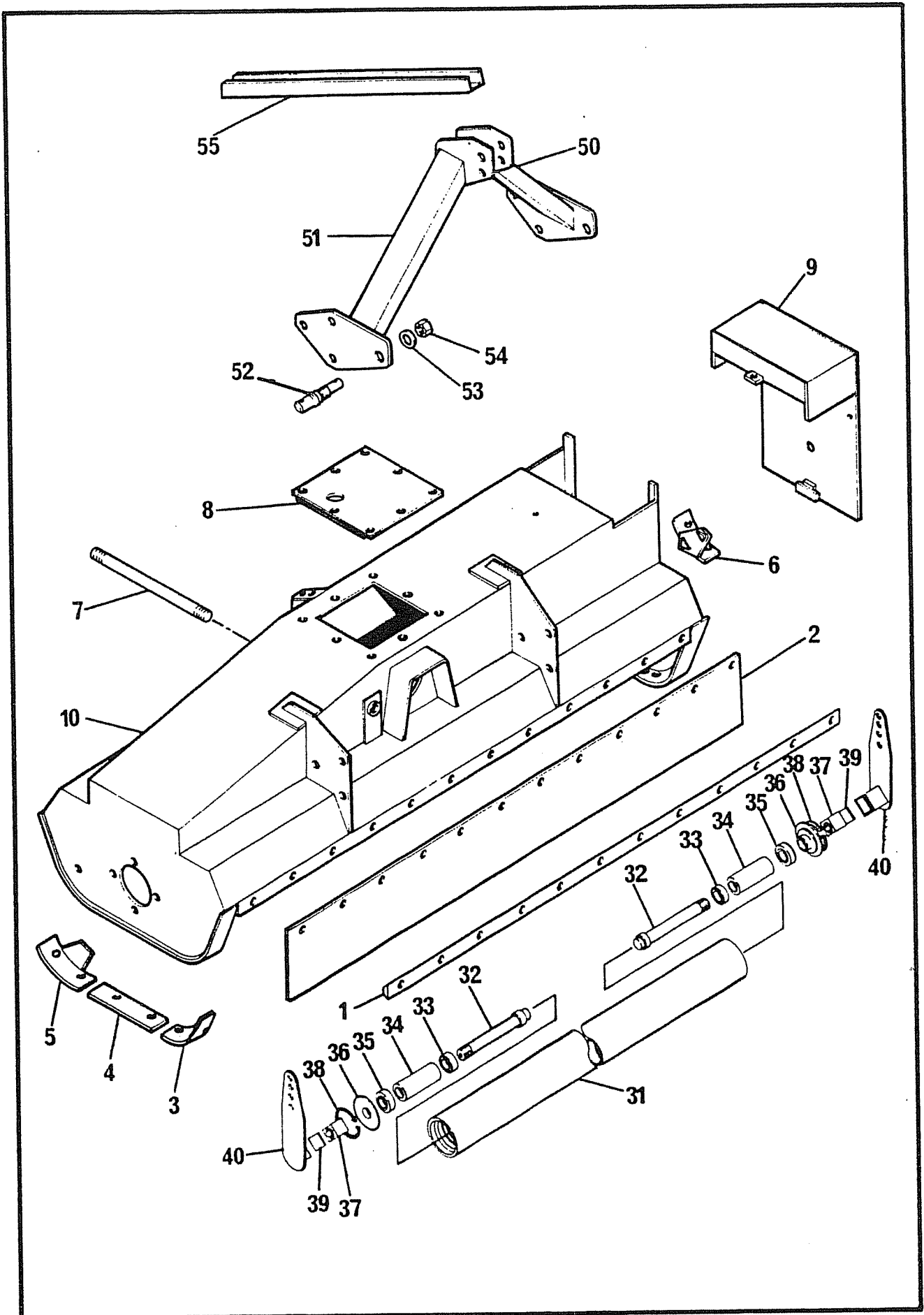
REF.	PART NO.	DESCRIPTION	QTY	SERIAL NO FROM - TO
*01	01.464.01	BACKING STRIP	2	
*02	01.465.01	GUARD-PLASTIC	2	
02	05.604.01	SELF-LOCKING NUT 5/16"UNF THIN	24	
02	05.935.01	S/SCREW 5/16" UNF X 1.1/8"	24	
*03	01.068.04	SKID (8" CURVED)	2	
03	05.211.03	PLOUGH BOLT 3/8"UNF X 1.1/8"	4	
03	05.288.02	NUT 3/8"UNF PLATED	4	
*04	01.068.05	SKID RH (11" ST)	2	
04	05.211.03	PLOUGH BOLT 3/8"UNF X 1.1/8"	4	
04	05.288.02	NUT 3/8"UNF PLATED	4	
*05	01.458.02	BRACKET-ROLLER GUIDE RH	1	
05	05.254.13	SETSCREW 3/8"UNF X 1"PLATED	2	
05	05.295.02	S.LOCKING NUT 3/8"UNF PLATED	2	
*06	01.458.01	BRACKET-ROLLER GUIDE LH	1	
06	05.254.13	SETSCREW 3/8"UNF X 1"PLATED	2	
06	05.295.02	S.LOCKING NUT 3/8"UNF PLATED	2	
07	05.295.07	SELF-LOCKING NUT 1"UNF N/LOCK	2	
*07	05.870.01	SHAFT 1"DIA X 435MM	1	
*08	03.072.01	PLATE-COVER	1	
08	05.254.02	SETSCREW 5/16"UNF X 3/4"PLATED	8	
08	05.282.01	SPRING WASHER 8MM PLATED	8	
*09	01.456.01	GUARD-DRIVE END	1	
09	03.816.01	PLUG-RUBBER 25MM DIA	1	
09	05.254.13	SETSCREW 3/8"UNF X 1"PLATED	3	
09	05.282.02	SPRING WASHER 10MM PLATED	3	
*10	01.453.04	COWL BANDIT 1700	1	
10	05.227.01	HAMMER DRIVE SCREW NO.6 X 1/2"	2	
10	05.774.01	SERIAL NUMBER PLATE	1	

71.390.01

ROLLER ASSEMBLY

*31	04.362.01	ROLLER FABRICATION 1700MM	1	2665R-
31	04.366.01	ROLLER ASSY 114 DIA X 1700MM	-	(INC. NOS 31-38)
*32	04.361.01	SHAFT 30 DIA X 213MM	2	2665R-
*33	03.007.02	BEARING - BALL 30MM BORE	2	2665R-
*34	04.359.01	SPACER 45 O/D X 30 I/D X 108MM	2	2665R-
*35	03.007.03	BEARING - BALL 30MM BORE	2	2665R-
*36	04.363.01	SHIELD DISC	2	2665R-
*37	04.360.01	SPECIAL NUT M30 (SQUARE)	2	2665R-
*38	05.959.12	CIRCLIP-INT 72MM DIA	2	2665R-
*39	04.365.01	PAD-RUBBER 38 X 38 X 10MM	2	2665R-
*40	04.364.01	BRACKET-ROLLER	2	2665R-
40	05.253.22	BOLT 1/2"UNF X 4" PLATED	2	
40	05.281.03	FLAT WASHER 12MM PLATED	2	
40	05.295.04	S.LOCKING NUT 1/2"UNF PLATED	2	
45	01.458.04	ROLLER BRACKET (RIGHT HAND)	1	N.I. -2664R
45	01.458.03	ROLLER BRACKET (LEFT HAND)	1	N.I. -2664R
45	05.896.18	PLAIN BEARING	2	N.I. -2664R
45	01.070.04	GREASE NIPPLE 1/8 BSP	2	N.I. -2664R
45	05.896.17	THRUST WASHER	2	N.I. -2664R
45	01.328.03	ROLLER SHAFT 260MM LONG	2	N.I. -2664R
45	01.328.05	DOMED ROLLER 1.6M	1	N.I. -2664R

\*MAIN PART IN GROUP, RELATED PARTS HAVE SAME REFERENCE NUMBER

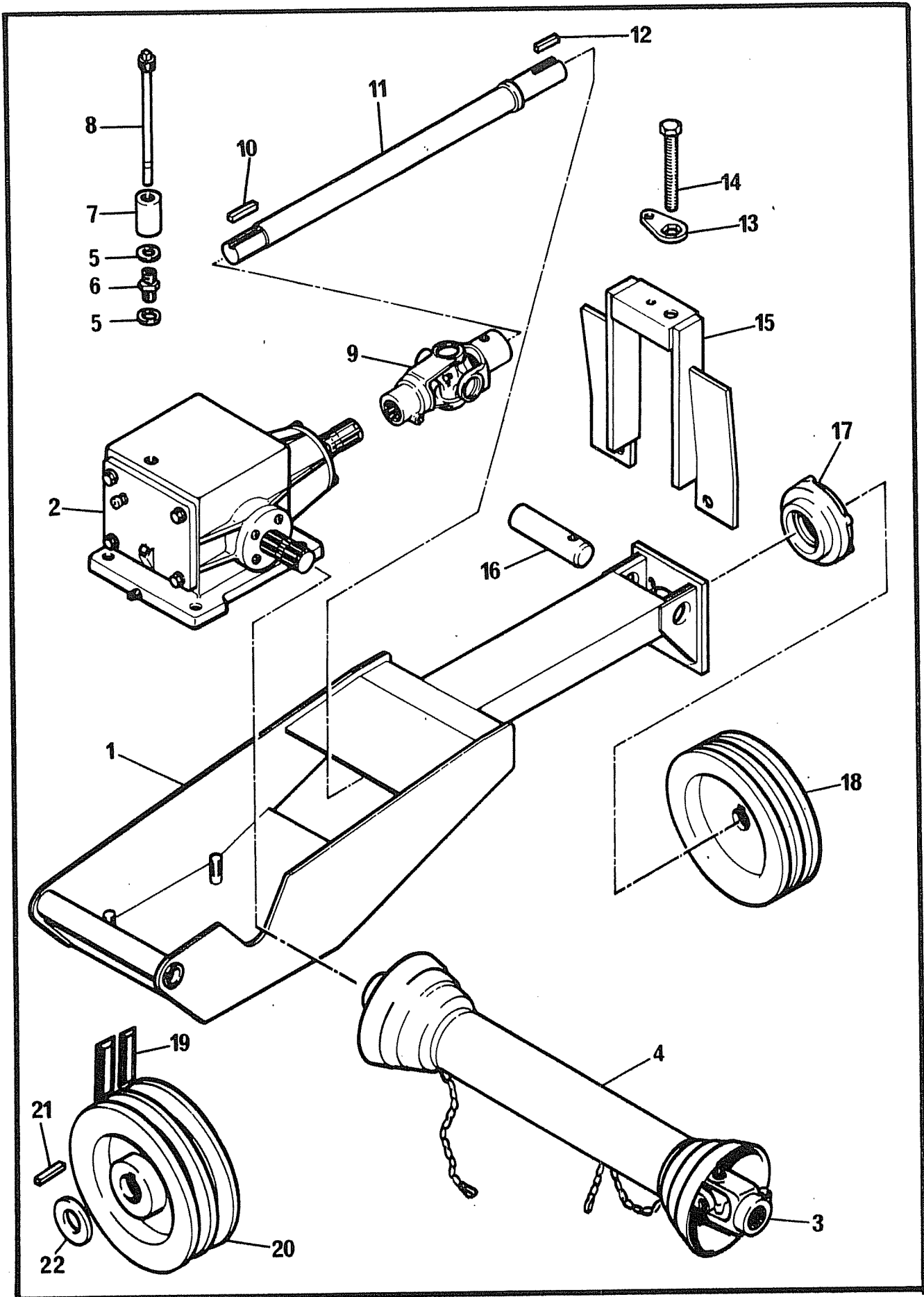


## COWL,ROLLER ASSEMBLY,'A' FRAME.

71.389.01

REF.	PART NO.	DESCRIPTION	QTY	SERIAL NO FROM - TO
*50	01.468.04	'A' FRAME LH	1	
50	05.252.34	BOLT 5/8"UNF X 2" PLATED	3	
50	05.295.05	S.LOCKING NUT 5/8"UNF PLATED	3	
*51	01.468.05	'A' FRAME RH	1	
51	05.252.34	BOLT 5/8"UNF X 2" PLATED	3	
51	05.295.05	S.LOCKING NUT 5/8"UNF PLATED	3	
52	00.372.01	LINCH PIN	2	
*52	05.158.01	PIN-DUAL CATEGORY	2	
*53	05.293.08	SPRING WASHER 1" DIA	2	
*54	05.948.01	LOCK NUT 1"BSF	2	
*55	03.075.01	STAY-'A' FRAME	1	
55	05.252.35	BOLT 5/8"UNF X 2.1/4" PLATED	2	
55	05.254.24	SETSCREW 1/2"UNFX1.1/4" PLATED	2	
55	05.288.04	NUT 1/2"UNF PLATED	2	
55	05.293.05	SPRING WASHER 1/2" PLATED	2	
55	05.295.05	S.LOCKING NUT 5/8"UNF PLATED	2	

\*MAIN PART IN GROUP, RELATED PARTS HAVE SAME REFERENCE NUMBER





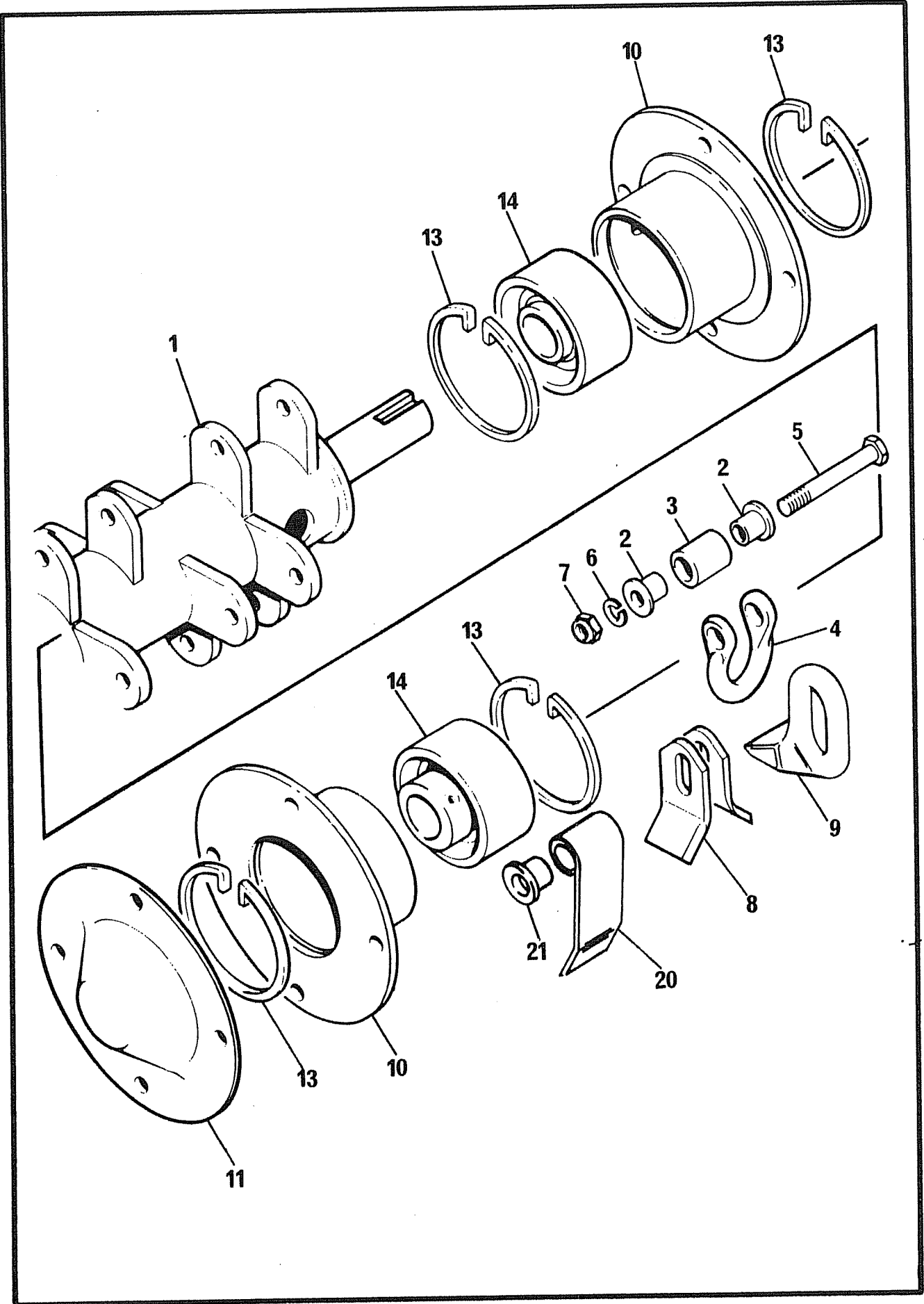
## PTO/GEARBOX/PULLEY ASSEMBLY

71.391.03

REF.	PART NO.	DESCRIPTION	QTY	SERIAL NO FROM - TO
*01	03.070.01	GEARBOX CRADLE	1	
02	05.295.04	S.LOCKING NUT 1/2"UNF PLATED	4	
*02	05.714.01	GEARBOX ASSY	1	
02	05.714.06	SEAL KIT GEARBOX 05.714.01	-	
*03	04.402.03	P.T.O. SHAFT ASSY 685MM C/C	1	
03	06.154.13	PTO JOURNAL BEARING KIT	-	
*04	04.402.04	P.T.O GUARD ASSY 685MM C/C	-	
*05	05.290.05	BONDED SEAL 1/2"BSP	2	
*06	05.122.01	ADAPTOR 1/2" BSP X 1/2" BSP	1	
*07	05.496.06	BARREL SOCKET 1/2"BSP	1	
*08	01.460.01	DIPSTICK-GEARBOX	1	
*09	03.462.03	PTO SINGLE JOINT ASSY	1	
09	05.288.04	NUT 1/2"UNF PLATED	1	
09	05.825.01	PTO JOURNAL BEARING KIT	-	
09	05.929.01	SOCKET GRUBSCREW 1/2"UNF X 1"	1	
*10	01.071.14	KEY-SEP 3/8 X 5/16 X 2	1	
*11	02.565.01	DRIVE SHAFT	1	
*12	01.071.10	KEY-SEP 3/8 X 1/4 1.1/2	1	
*13	03.074.01	PLATE-LOCKING	1	
13	05.254.12	SETSCREW 3/8"UNF X 3/4"PLATED	1	
13	05.282.02	SPRING WASHER 10MM PLATED	1	
*14	05.205.06	SETSCREW 3/4"UNF X 5"	1	
*15	03.071.01	YOKE-BELT TENSION	1	
15	05.254.35	SETSCREW 5/8"UNFX1.1/2" PLATED	2	
15	05.295.05	S.LOCKING NUT 5/8"UNF PLATED	2	
*16	03.073.01	ADJUSTER BARREL	1	
*17	02.958.01	BEARING ASSY-FLANGED 1.1/2 BORE	1	
17	05.254.14	SETSCREW 3/8"UNFX1.1/4"PLATED	4	
17	05.282.02	SPRING WASHER 10MM PLATED	4	
*18	01.463.01	PULLEY-VEE 10.3/4" X 2C	1	
18	05.234.01	WASHER 1.3/4" X 17/32" X 3/16"	1	
18	05.254.24	SETSCREW 1/2"UNFX1.1/4"PLATED	1	
18	05.294.05	SHAKEPROOF WASHER 1/2"PLATED	1	
*19	05.299.05	BELT-VEE C SECT. X 1340MM	2	
*20	01.113.04	PULLEY-VEE 8.3/4"DIA X 2C	1	
*21	01.071.05	KEY-SEP 3/8 X 1/4 X 2.1/2	1	
*22	01.461.04	SPACER 2" O/D X 1.17/32" I/D X 16MM	1	

\*MAIN PART IN GROUP, RELATED PARTS HAVE SAME REFERENCE NUMBER

# TUBULAR ROTOR SHAFT/BEARING ASSEMBLY



## TUBULAR ROTOR SHAFT/BEARING ASSEMBLY

71.393.01

REF.	PART NO.	DESCRIPTION	QTY	SERIAL NO FROM - TO
	03.450.04	ROTOR SHAFT ASSEMBLY COMPLETE COMPRISING ITEMS 1 - 8		
	03.450.05	ROTOR SHAFT ASSEMBLY COMPLETE COMPRISING ITEMS 1 - 7 & 9		
*01		ROTOR SHAFT 1690MM	1	
*02	02.801.01	COLLAR 20 O/D X 26	96	
*03	02.807.01	SPACER 1"O/D X 16MM I/D X 7MM	48	
*04	05.895.01	SHACKLE-FORGED	48	
*05	05.775.02	BOLT M10 X 86MM (FINE)	48	
*06	05.282.02	SPRING WASHER 10MM PLATED	48	
*07	05.968.02	SELF LOCKING NUT M10 (FINE)	48	
*08	02.812.01	FLAIL-FORMED 40 X 6	96	
*09	02.959.01	FLAIL-FORGED	48	
*20	06.189.01	FLAIL-FORMED 40 X 8	48	SPARES ONLY
*21	06.192.02	COLLAR	96	SPARES ONLY

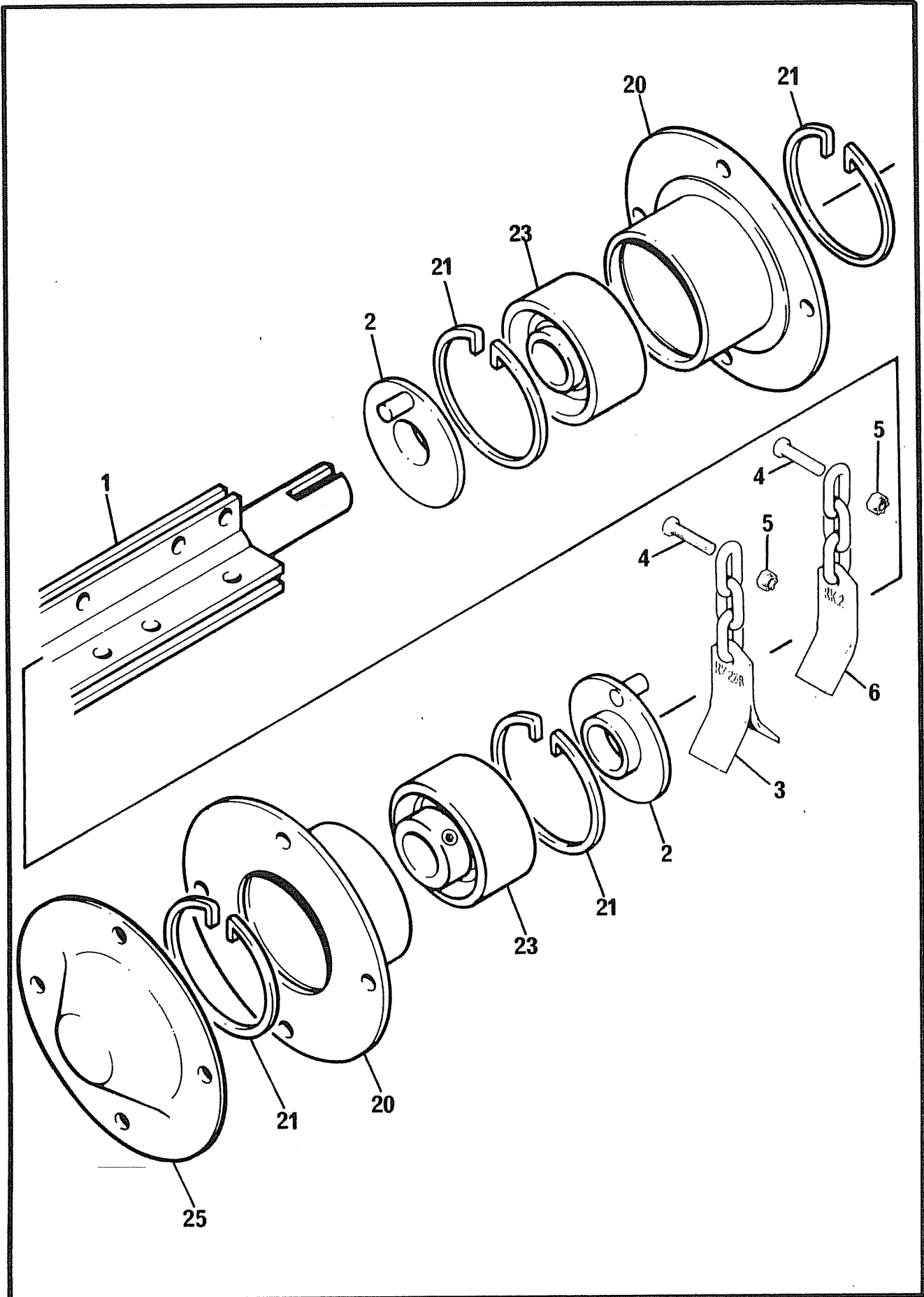
71.076.01

BEARING ASSEMBLY

*10	\$ 00.865.02	BEARING HOUSING	2	
10	02.910.04	BEARING PROD. ASSY.	-	(INC. REF NOS \$)
10	05.264.23	SETSCREW M12 X 30MM	10	HALF QTY SHOWN
10	05.282.03	SPRING WASHER 12MM	8	
10	05.286.03	NUT M12	8	
*11	00.876.02	BEARING COVER	1	
12	\$ 01.070.03	GREASE NIPPLE M6	2	
*13	\$ 01.072.01	CIRCLIP - INT 4.1/16" DIA	4	
*14	\$ 01.080.04	BEARING-CARTRIDGE 1.1/2" DIA	2	
14	05.234.01	WASHER 1.3/4" X 17/32" X 3/16"	2	
14	05.283.03	SHAKEPROOF WASHER 12MM	2	
15	\$ 05.953.01	GREASE NIPPLE 1/4" UNF ST	2	

\*MAIN PART IN GROUP, RELATED PARTS HAVE SAME REFERENCE NUMBER

# CRUCIFORM ROTOR SHAFT/BEARING ASSEMBLY

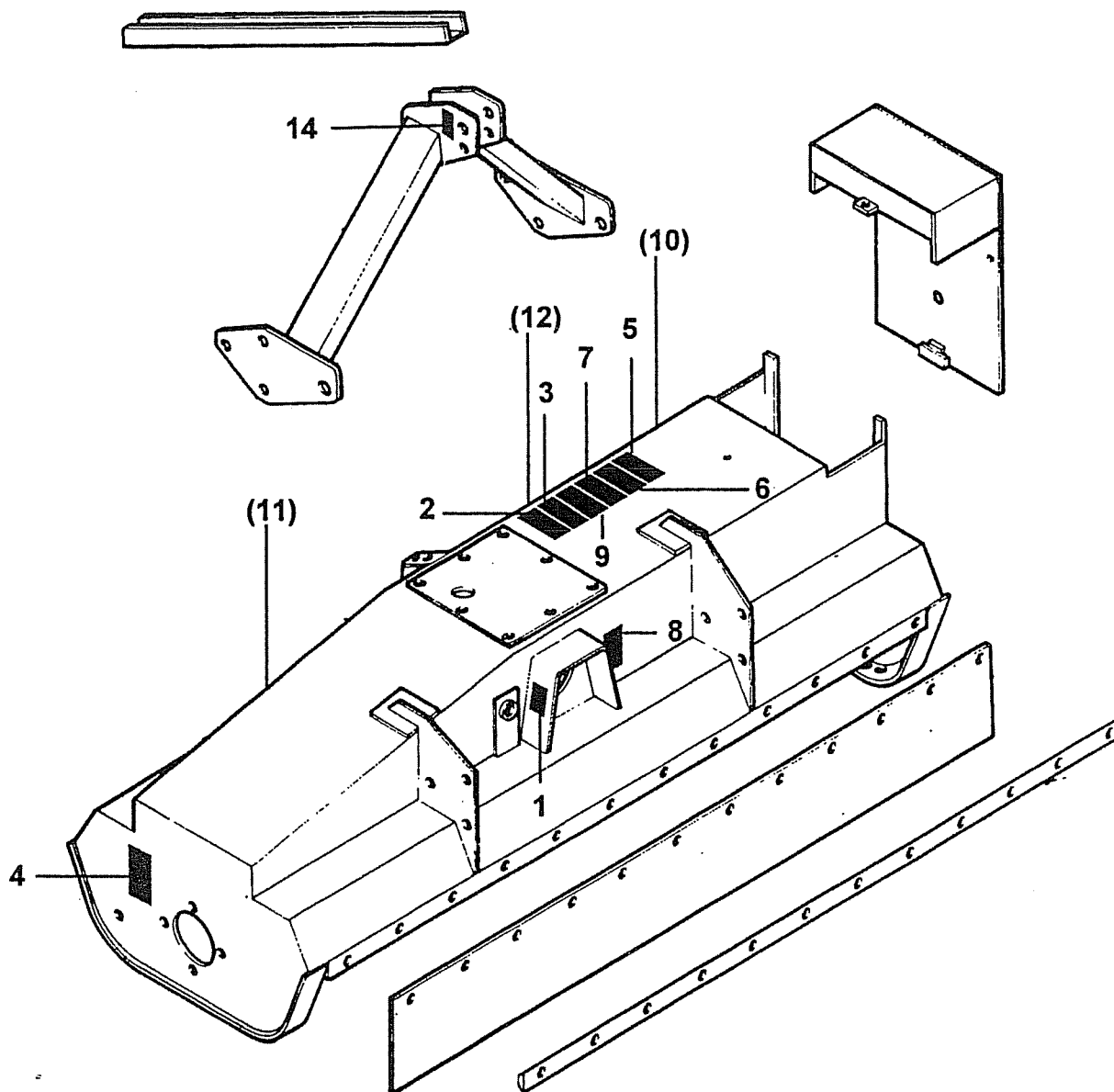


**CRUCIFORM ROTOR SHAFT/BEARING ASSEMBLY**

REF.	PART NO.	DESCRIPTION	QTY	SERIAL NO FROM - TO
<u>CRUCIFORM ROTOR SHAFT ASSEMBLY</u>				
	02.750.08	ROTOR SHAFT ASSEMBLY COMPLETE COMPRISING ITEMS 1 - 5		
	02.750.11	ROTOR SHAFT ASSEMBLY COMPLETE COMPRISING ITEMS 1, 2, 4 - 6		
*01		ROTOR SHAFT 1690MM 1.1/2"DRIVE	1	
01	01.087.01	BALANCE WEIGHT	-	
01	05.252.04	BOLT 5/16"UNF X 2"PLATED	-	
01	05.604.01	SELF-LOCKING NUT 5/16"UNF THIN	-	
*02	01.061.02	SHIELD DISC	2	
*03	01.086.06	FLAIL UNIT-CHAIN/TWIN	84	
*04	05.252.02	BOLT 5/16"UNF X 1.1/2"PLATED	84	
*05	05.604.01	SELF-LOCKING NUT 5/16"UNF THIN	84	
*06	01.086.01	FLAIL UNIT (5MM FLAILS)	84	
<u>BEARING ASSEMBLY</u>				
71.339.01				
*20 \$	00.865.02	BEARING HOUSING	2	
20	02.910.04	BEARING HOUSING PROD. ASSY	-	(INC. REF NOS \$)
20	05.264.23	SETSCREW M12 X 30MM PLATED	8	(HALF QTY SHOWN)
20	05.282.03	SPRING WASHER 12MM PLATED	8	
20	05.286.03	NUT M12 PLATED	8	
*21 \$	01.072.01	CIRCLIP - INT 4.1/16"D	4	
22 \$	05.953.01	GREASE NIPPLE M6	2	
*23 \$	01.080.04	BEARING-CARTRIDGE 1.1/2"DIA	2	
23	05.234.01	WASHER 1.3/4" X 17/32" X 3/16"	2	
23	05.254.24	SETSCREW 1/2"UNFX1.1/4"PLATED	2	
23	05.294.05	SHAKEPROOF WASHER 1/2"PLATED	2	
24 \$	01.070.03	GREASE NIPPLE 1/4"UNF ST	2	
*25	00.876.02	BEARING COVER	1	

\*MAIN PART IN GROUP, RELATED PARTS HAVE SAME REFERENCE NUMBER

ITEMS 10, 11 & 12 ARE POSITIONED  
ON FRONT EDGE AS INDICATED



---

REF	PART NO.	DESCRIPTION	QTY
	<b>74.909.01</b>	<b>DECALS</b>	
01	09.811.04	DECAL - MAX PTO SPEED 540 ACW	1
02	09.821.01	DECAL - READ INSTRUCTION BOOK	1
03	09.821.08	DECAL - SAFEWORKING ON HEAD	1
04	09.821.10	DECAL - KEEP NUTS TIGHT	1
05	09.821.16	DECAL - KEEP OUT ZONE	1
06	09.821.17	DECAL - UNSUPPORTED MACHINE	1
07	09.821.18	DECAL - THROWN DEBRIS	1
08	09.821.20	DECAL - SHAFT ENTANGLEMENT	1
09	09.821.24	DECAL - FLAIL HEAD DANGER	1
	<b>71.395.02</b>	<b>DECALS</b>	
10	06.958.02	DECAL - BOMFORD	1
11	06.959.10	DECAL - 1700	1
12	06.964.01	DECAL - BANDIT	1
13	09.810.01	DECAL - GREASE (8 HOURS)	2
14	09.843.03	DECAL - LIFT POINT 500KG	1