

PM1795

BANDIT
1500

FLAIL MOWER

PARTS MANUAL

ISSUE 4

IMPORTANT

NOTE HERE THE SERIAL NUMBER OF YOUR MACHINE AND ALWAYS QUOTE IT IN ANY COMMUNICATION WITH US OR YOUR DEALER. THIS IS PARTICULARLY IMPORTANT WHEN ORDERING SPARES. REMEMBER TO INCLUDE ALL NUMBERS AND LETTERS.

MACHINE SERIAL NUMBERS _____

THE INFORMATION GIVEN THROUGHOUT THIS MANUAL IS CORRECT AT THE TIME OF PUBLICATION. HOWEVER, IN THE COURSE OF CONSTANT DEVELOPMENT OF BOMFORD TURNER MACHINES, CHANGES IN SPECIFICATION ARE INEVITABLE. SHOULD YOU FIND THE INFORMATION GIVEN IN THIS BOOK TO BE AT VARIANCE WITH THE MACHINE IN YOUR POSSESSION, YOU ARE ADVISED TO CONTACT THE BOMFORD TURNER SERVICE DEPARTMENT WHERE UP-TO-DATE INFORMATION WILL BE PROVIDED.

THE MANUAL CAN CONTAIN STANDARD AND OPTIONAL FEATURES AND IS NOT TO BE USED AS A MACHINE SPECIFICATION.

THE MACHINE HAS BEEN TESTED AND IS CONSIDERED SAFE IF CAREFULLY USED. ENSURE YOUR OPERATOR IS PROPERLY TRAINED IN ITS USE AND MAINTENANCE.

IMPORTANT

NOTEZ ICI LES NUMEROS DE SERIE DE VOTRE MACHINE ET MENTIONNEZ LES DANS TOUTE COMMUNICATION AVEC NOS SERVICES OU VOTRE REVENDEUR. CECI EST IMPORTANT POUR LA COMMANDE DE PIECES DETACHEES. PENSEZ A NOTER TOUS LES NUMEROS ET TOUTES LES LETTERS.

NUMEROS DE SERIE DE LA MACHINE _____

LES INFORMATIONS DONNEES DANS CE MANUEL SONT CORRECTES CEPENDANT, DU FAIT DE DEVELOPPEMENT CONSTANT DES MACHINES BOMFORD TURNER.

CHANGEMENTS DANS LES CARACTERISTIQUES SONT INEVITABLES.

SI VOUS TROUVEZ QUE LES INFORMATIONS DONNEES NE CORRESPONDENT PAS A VOTRE MACHINE VEUILLEZ CONTACTER LE SERVICE DES REPARATIONS OU DES INFORMATIONS PLUS RECENTES VOUS SERONT DONNEES. CE MANUEL PEUT MONTRER DES CARACTERISTIQUES OPTIONNELLES ET NE PEUT PAS ETRE CONSIDERE COMME SPECIFICATION DE LA MACHINE.

CETTE MACHINE A ETE TESTEE, ET ELLE EST CONSIDEREE COMME FIABLE A CONDITION D'UNE BONNE UTILISATION. ASSUREZ-VOUS QUE VOTRE OPERATEUR EST QUALIFIE EN CE QUI CONCERNE L'UTILISATION DE LA MACHINE AINSI QUE SON ENTRETIEN.

WICHTIG

TRAGEN SIE HIER DIE SERIENNUMMERN IHRER MASCHINE EIN UND GEBEN SIE DIESE IMMER AN, WENN SIE SICH AN UNS ODER IHREN HÄNDLER WENDEN. DAS IST BESONDERS BEI ERSATZTEILBESTELLUNGEN WICHTIG. VERGESSEN SIE NICHT, ALLE ZAHLEN UND BUCHSTABEN ZU NOTIEREN.

SERIENNUMMERN DER MASCHINE _____

DIE ANGABEN IN DIESEM HANDBUCH SIND BEI VERÖFFENTLICHUNG KORREKT. AUFGRUND DER KONSTANTEN WEITERENTWICKLUNG VON BOMFORD TURNER MASCHINEN SIND JEDOCHÄNDERUGDEN IN DER SPEZIFIKATION UNVERMEIDLICH. WENN DIE INFORMATION IN DIESEM HANDBUCH NICHT MIT IHRER MASCHINE ÜBEREINSTIMMEN, NEHMEN SIE BITTE KONTAKT MIT DER BOMFORD TURNER KUNDENDIENSTABTEILUNG AUF, DIE IHNEN GERNE DIE AKTUELLEN INFORMATION ZUKOMMEN LÄSST.

DAS HANDBUCH KANN SOWOHL BESCHREIBUNGEN FÜR DIE STANDARD AUSFÜHRUNG ALS AUCH FÜR ZUBEHÖR ENTHALTEN UND IST NICHT ALS MASCHINENSPEZIFIKATION ZU VERWENDET.

DIE MASCHINE IST GETESTET UND BEI SACHGEMÄSSEM BETRIEB ALS SICHER BEFUNDEN WORDEN. SORGEN SIE DAFÜR, DASS IHR BEDIENPERSONAL IN ANWENDUNG UND WARTUNG RICHTIG GESCHULT WIRD.

B1500 BANDIT MOWER

PAGE AND ILLUSTRATION NUMBERS ARE USED ONLY FOR REFERENCE PURPOSES AND SHOULD NOT BE USED FOR ORDERING SPARE PARTS. PLEASE ENSURE THE CORRECT PART NUMBER AND DESCRIPTION IS GIVEN WHEN ORDERING SPARE PARTS.

**FOR MACHINES WITH SERIAL NUMBERS COMMENCING FROM3320J/98
(For machines up to 3319J/98 not fitted with antiwrap guards see PM 1795, issue 1)**

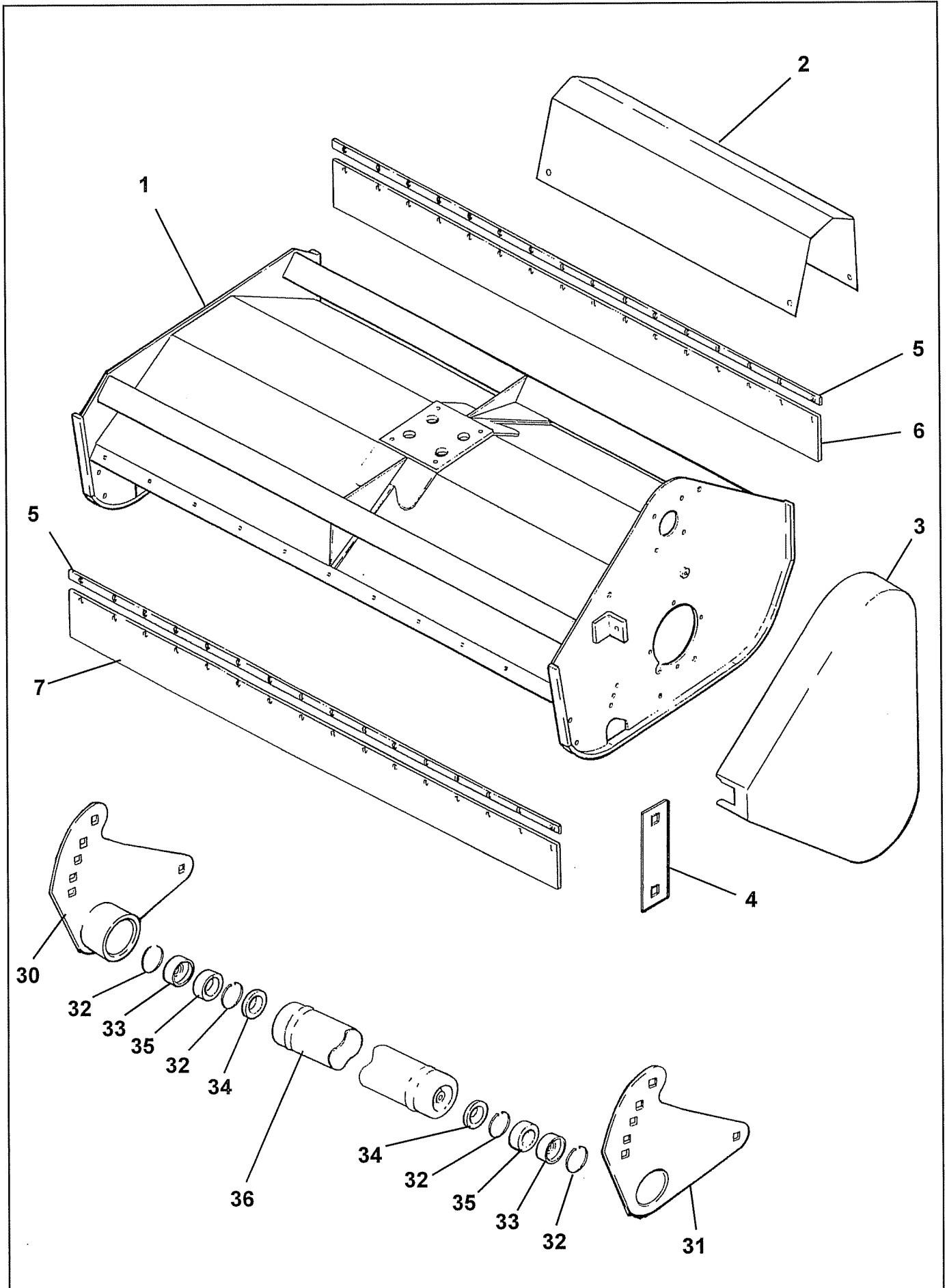
PAGE NO.	TITLE
2 - 1 TO 2 - 2	COWL & ROLLER ASSEMBLY
3 - 1 TO 3 - 3	FRONT FRAME & RAM ASSEMBLY
4 - 1 TO 4 - 3	DRIVE SHAFT & GEARBOX ASSEMBLY
5 - 1 TO 5 - 2	ROTOR SHAFT & BEARING ASSEMBLY
6 - 1 TO 6 - 2	DECALS

IMPORTANT

THIS MACHINE IS FOR VEGETATION CONTROL AND
MUST NOT BE USED FOR ANY OTHER PURPOSE

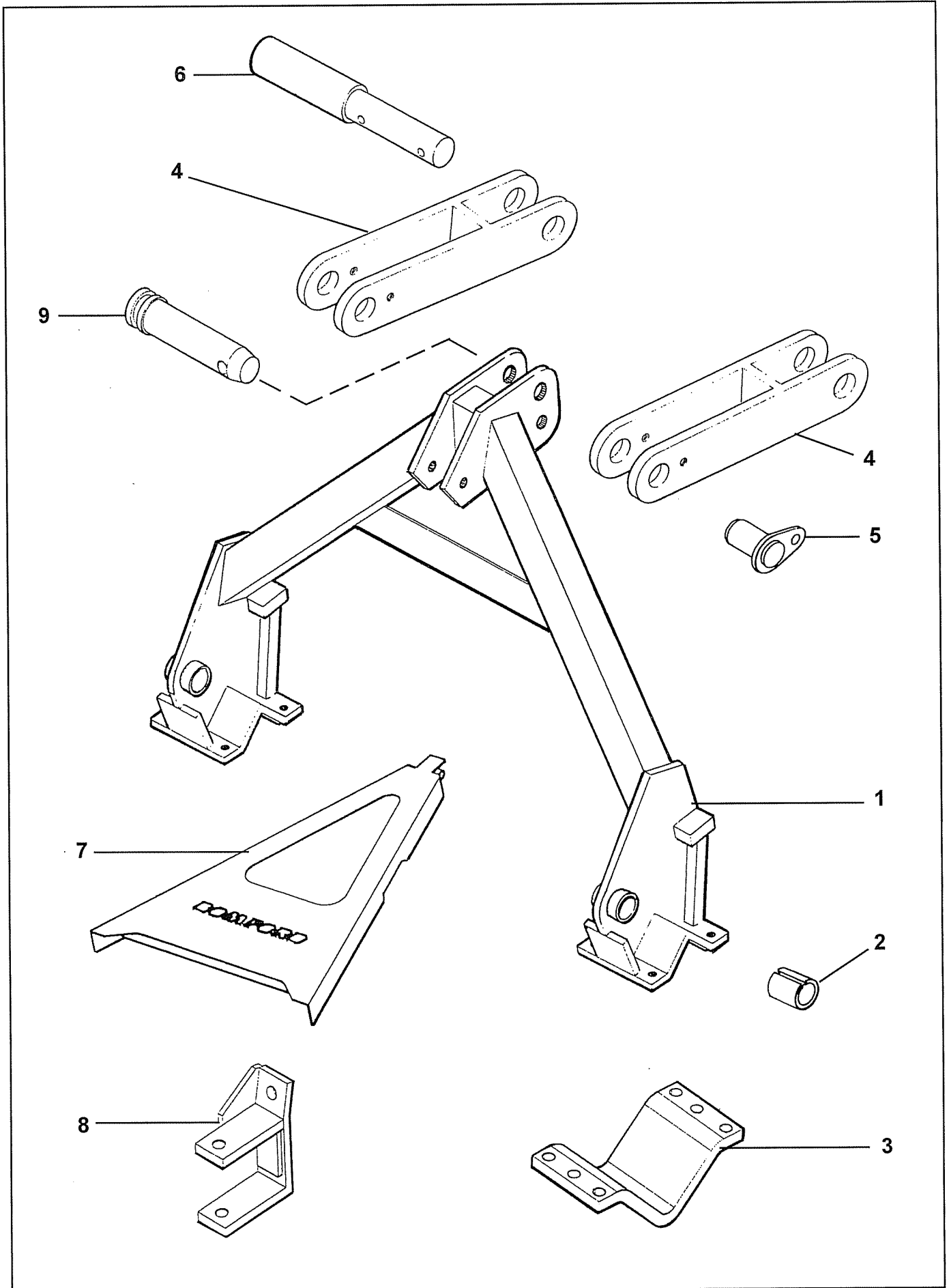
IT IS POTENTIALLY HAZARDOUS TO FIT OR USE
ANY PARTS OTHER THAN GENUINE BOMFORD TURNER PARTS

THE COMPANY DISCLAIMS ALL LIABILITY FOR THE
CONSEQUENCES OF SUCH USE, WHICH IN ADDITION
VOIDS THE MACHINE WARRANTY



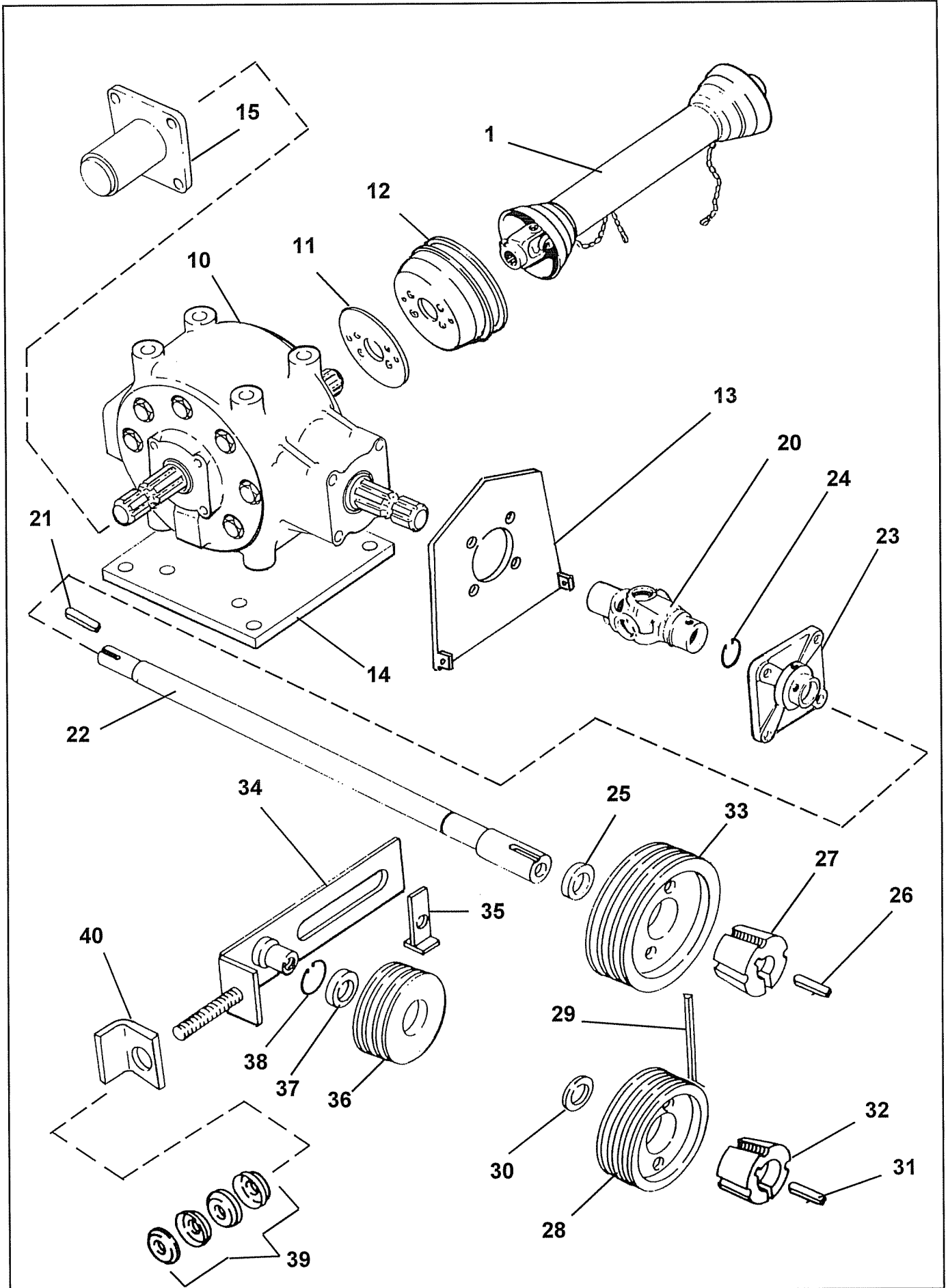
REF	PART NO	DESCRIPTION	QTY
76.537.05/76.537.06 COWL ASSEMBLY 1500 RH/LH DRIVE			
01	04.282.55	STUD M12 X 44 PLATED	4
01	05.227.01	HAMMER DRIVE SCREW NO.6 X 3/8"	2
01	05.282.03	SPRING WASHER 12MM PLATED	6
01	05.286.03	NUT M12 PLATED	6
01	05.774.06	SERIAL NO.PLATE BOMFORD TURNER	1
01	05.839.26	BOLT CUP SQ M12 X 30 (PLATED)	6
01	05.968.03	SELF LOCKING NUT M12 (FINE)	4
*01	42854.04	COWL - 1500 RH DRIVE	1
01	42854.03	COWL - 1500 LH DRIVE	1
02	05.264.11	SETSCREW M10 X 20MM PLATED	4
02	05.281.02	FLAT WASHER 10MM PLATED FORM C	4
02	05.282.02	SPRING WASHER 10MM PLATED	4
*02	06.206.02	GUARD - DRIVE SHAFT 1500	1
*03	04.384.08	GUARD - DRIVE RH	1
03	04.384.07	GUARD - DRIVE LH	1
03	05.282.03	SPRING WASHER 12MM PLATED	3
03	05.286.03	NUT M12 PLATED	2
03	05.264.21	SETSCREW M12 X 20MM	1
04	05.282.03	SPRING WASHER 12MM PLATED	4
04	05.286.03	NUT M12 PLATED	4
04	05.839.26	BOLT CUP SQ M12 X 30 (PLATED)	4
*04	42747.02	CLAMP - GUARD	2
05	05.287.01	SELF-LOCKING NUT M8 PLATED	22
*05	42742.03	STRIP - BACKING 1500	2
05	9293054	BOLT CUP SQUARE M8 X 25 (PLATE)	22
06	42744.03	GUARD - FLEXIBLE FRONT 1500	1
07	42743.03	GUARD - FLEXIBLE REAR 1500	1
76.284.08 ROLLER ASSY 115DIA 1500			
30	41975.03	BRACKET - ROLLER 115 LH	1
31	41975.04	BRACKET - ROLLER 115 RH	1
32	05.959.05	CIRCLIP - INT 62MM DIA	4
33	42954.01	BEARING - D/ROW BALL 30MM BORE	2
34	04.164.04	SEAL-LIP 40DIA X 10MM	2
35	05.953.01	GREASE NIPPLE M6	4
*35	41851.01	CAP - BEARING RETAINER	2
36	05.234.01	WASHER 44.5 X 13 X 5MM PLATED	2
36	05.282.03	SPRING WASHER 12MM PLATED	2
36	05.625.10	SKT CAPSCRW M12 X 30DOME HD PLT	2
*36	42056.02	ROLLER 115 DIA - 1500	1

*MAIN PART IN GROUP, RELATED PARTS HAVE SAME REFERENCE NUMBER



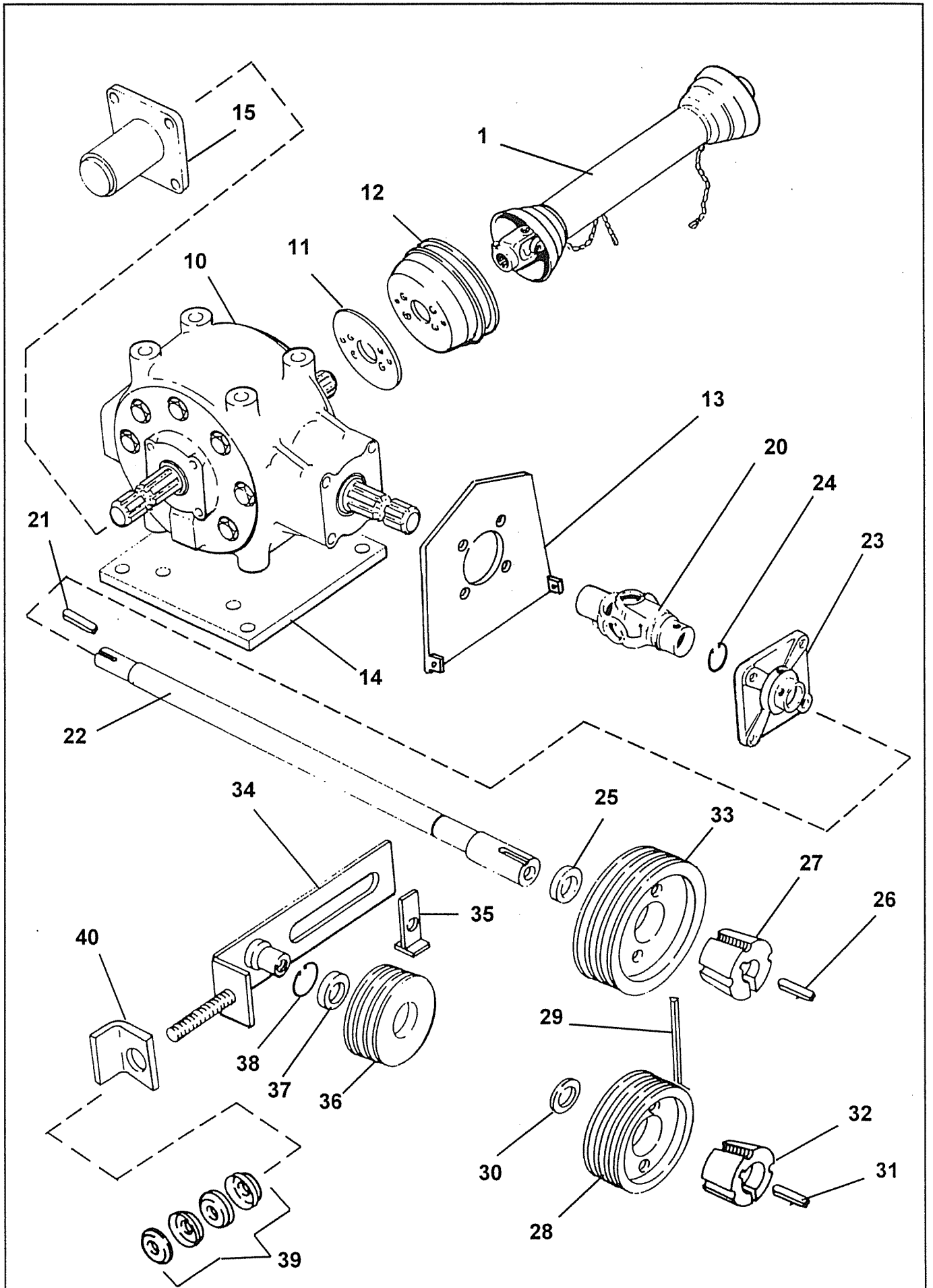
REF	PART NO	DESCRIPTION	QTY
76.538.02 FRONT FRAME ASSEMBLY			
01	04.403.01	"A" FRAME	1
02	02.771.07	TENSION BUSH 38 X 30 X 50	2
*03	02.611.01	CLAMP	2
03	05.291.26	BOLT M12 X 55MM PLATED	8
03	05.282.03	SPRING WASHER 12MM PLATED	8
03	05.281.03	FLAT WASHER 12MM PLATED	4
03	05.287.03	NUT M12 SELF-LOCKING PLATED	8
04	04.392.02	LINK - FRAME FRONT CAT I/II	2
*05	03.654.07	PIN 30 DIA X 78MM	2
05	04.175.01	STUD M10 X 29MM	2
05	05.234.01	WASHER 44.5 X 13 X 5MM PLATED	2
05	05.264.22	SETSCREW M12 X 25MM PLATED	2
05	05.281.02	FLT WASHER 10MM PLATED FORM C	2
05	05.282.03	SPRING WASHER 12MM PLATED	2
05	05.953.03	GREASE NIPPLE M10	2
05	05.968.02	SELF LOCKING NUT M10 (FINE)	2
06	05.964.02	SPRING COTTER 5.6MM DIA	2
*06	42930.01	PIN CAT I/II LOWER LINK	2
07	9313167	SETSCREW M16 X 80MM PLATED	2
07	05.282.04	SPRING WASHER 16MM PLATED	1
07	05.283.04	SHAKEPROOF WASHER 16MM PLATED	2
07	05.286.04	NUT M16 PLATED	5
07	05.287.04	SELF-LOCKING NUT M16 PLATED	2
07	05.292.33	BOLT M16 X 100MM PLATED	1
07	05.281.04	FLAT WASHER 16MM PLATED	4
*07	42738.02	STAY - MAINFRAME	1
08	05.282.03	SPRING WASHER 12MM PLATED	2
08	05.286.03	NUT M12 PLATED	2
08	05.292.24	BOLT M12 X 110MM PLATED	2
*08	42752.01	CLAMP - REAR	2
08	05.281.03	FLAT WASHER 12MM	2
09	00.372.01	LINCH PIN	1
*09	42930.02	PIN CAT II TOP LINK	1

*MAIN PART IN GROUP, RELATED PARTS HAVE SAME REFERENCE NUMBER



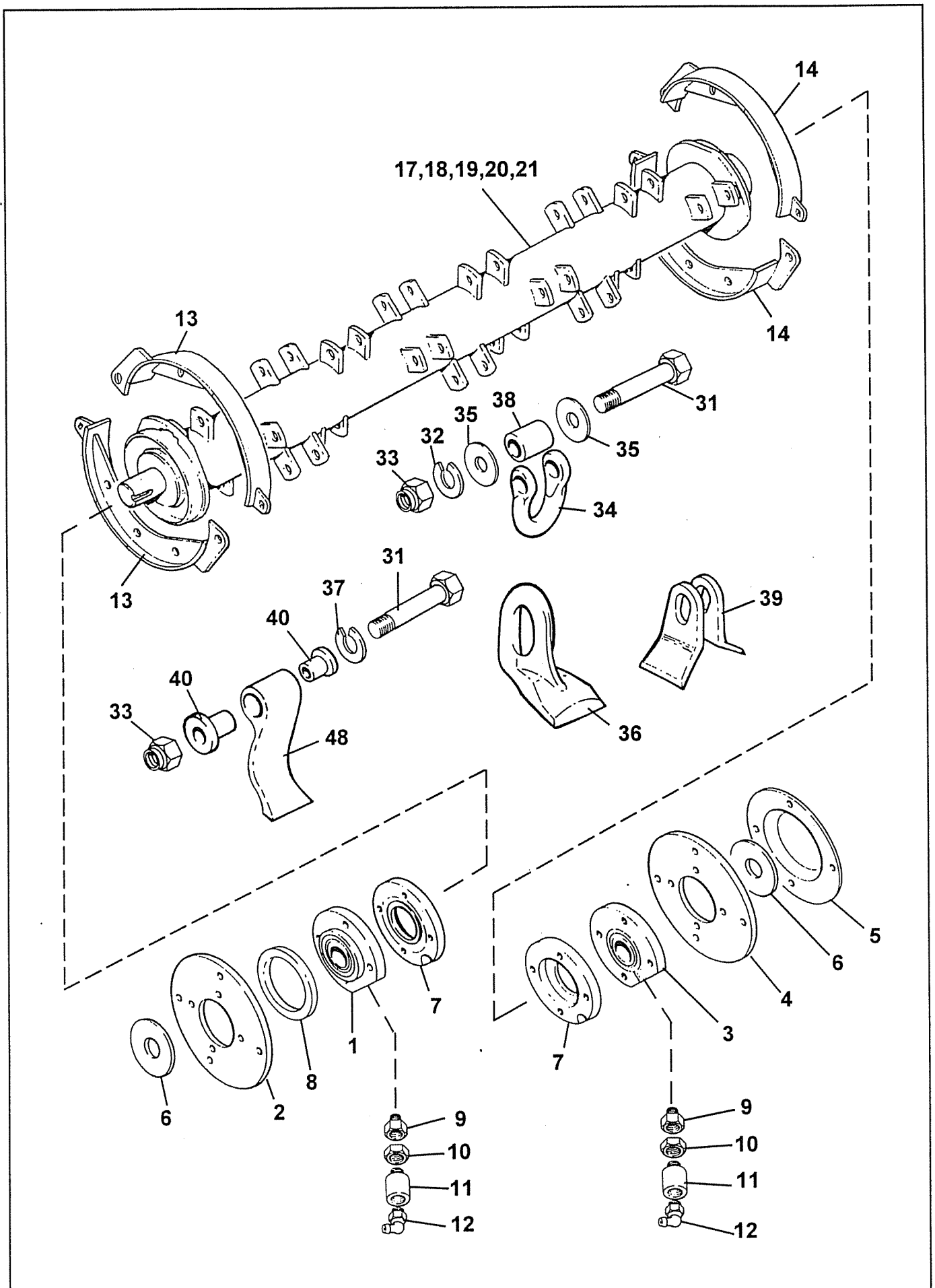
REF	PART NO	DESCRIPTION	QTY
76.541.02 PTO SHAFT ASSEMBLY			
*01	41623.02	PTO SHAFT ASSY 610MM C/C	1
01	41623.31	CROSS JOURNAL SET	-
01	41623.33	COMPLETE SHIELD	-
76.542.03 GEARBOX ASSEMBLY			
10	42922.01	GEARBOX ASSEMBLY COMER	1
11	05.264.01	SETSCREW M8 X 20MM PLATED	4
11	05.282.01	SPRING WASHER 8MM PLATED	4
*11	42740.02	PLATE - PTO GUARD	1
12	05.281.01	FLAT WASHER 8MM PLATED	2
12	05.282.01	SPRING WASHER 8MM PLATED	2
12	30.068.95	SCREW M8 X 12 8.8 GRADE Z/P	2
*12	42741.02	GUARD - PTO	1
13	05.264.01	SETSCREW M8 X 20MM PLATED	4
13	05.282.01	SPRING WASHER 8MM PLATED	4
*13	42792.02	PLATE - DRIVE SHAFT GUARD	1
14	05.264.23	SETSCREW M12 X 30MM PLATED	4
14	05.282.03	SPRING WASHER 12MM PLATED	4
*14	42857.01	PLATE - GEARBOX MOUNTING	1
15	05.264.01	SETSCREW M8 X 20MM PLATED	4
15	05.282.01	SPRING WASHER 8MM PLATED	4
*15	42928.01	COVER - REAR PTO	1

*MAIN PART IN GROUP, RELATED PARTS HAVE SAME REFERENCE NUMBER



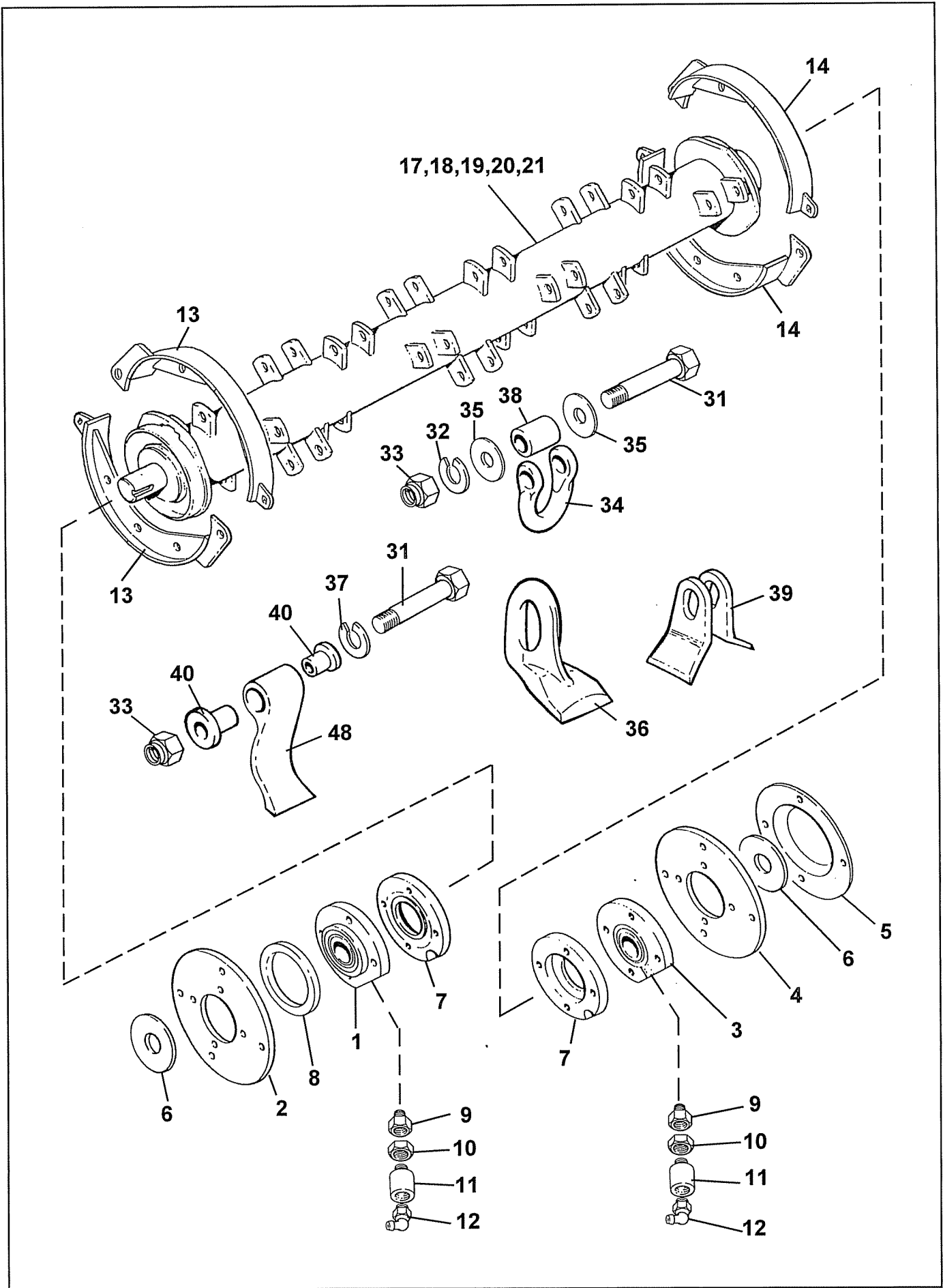
REF	PART NO	DESCRIPTION	QTY
76.543.02 DRIVE ASSEMBLY			
20	01.266.06	PTO JOURNAL BEARING KIT 1300	-
*20	03.462.03	PTO SINGLE JOINT ASSY	1
20	05.288.04	NUT 1/2"UNF PLATED	1
20	05.929.01	SOCKET GRUBSCREW 1/2"UNF X 1"	1
21	01.071.14	KEY-SEP 3/8 X 5/16 X 2	1
22	02.824.01	WASHER 50 O/DX13 I/DX6MM	1
*22	04.390.02	SHAFT - DRIVE 1500	1
22	05.264.23	SETSCREW M12 X 30MM PLATED	1
22	05.283.03	SHAKEPROOF WASHER 12MM PLATED	1
*23	03.008.01	BEARING ASSY - FLANGED 40 BORE	1
23	05.264.24	SETSCREW M12 X 35MM PLATED	4
23	05.282.03	SPRING WASHER 12MM PLATED	4
23	05.286.03	NUT M12 PLATED*	4
24	05.959.04	CIRCLIP - EXT 40MM DIA	1
26	05.960.16	KEY-S/REP 12MM X 8MM X 40MM	1
27	05.424.18	TAPER LOCK 40MM (2517)	1
28	03.795.03	PULLEY-VEE 140MM PCD X 3SPA	1
29	05.299.57	BELT XPA1215 QUAD II GATES	3
30	42962.01	SPACER	1
31	05.960.16	KEY-S/REP 12MM X 8MM X 40MM	1
32	05.424.18	TAPER LOCK 40MM (2517)	1
33	03.795.04	PULLEY-VEE 190MM PCD X 3SPA	1
*34	04.399.02	BRACKET - IDLER PULLEY	1
34	05.234.01	WASHER 44.5 X 13 X 5MM PLATED	1
34	05.264.22	SETSCREW M12 X 25MM PLATED	1
34	05.282.03	SPRING WASHER 12MM PLATED	1
34	05.286.03	NUT M12 PLATED	2
*35	04.401.01	PLATE - BRACKET IDLER PULLEY	1
35	05.264.22	SETSCREW M12 X 25MM PLATED	1
35	05.282.03	SPRING WASHER 12MM PLATED	1
36	42923.01	PULLEY - 3 SPA X 140MM IDLER	1
37	01.083.01	BEARING - BALL 3/4"BORE	2
38	01.072.02	CIRCLIP - INT 1.7/8"D	1
39	05.398.02	DISC-SPRG 12.2 I/DX25 O/D PLTD	8
40	42929.01	STRAP - DISC ADJUSTMENT	1

*MAIN PART IN GROUP, RELATED PARTS HAVE SAME REFERENCE NUMBER



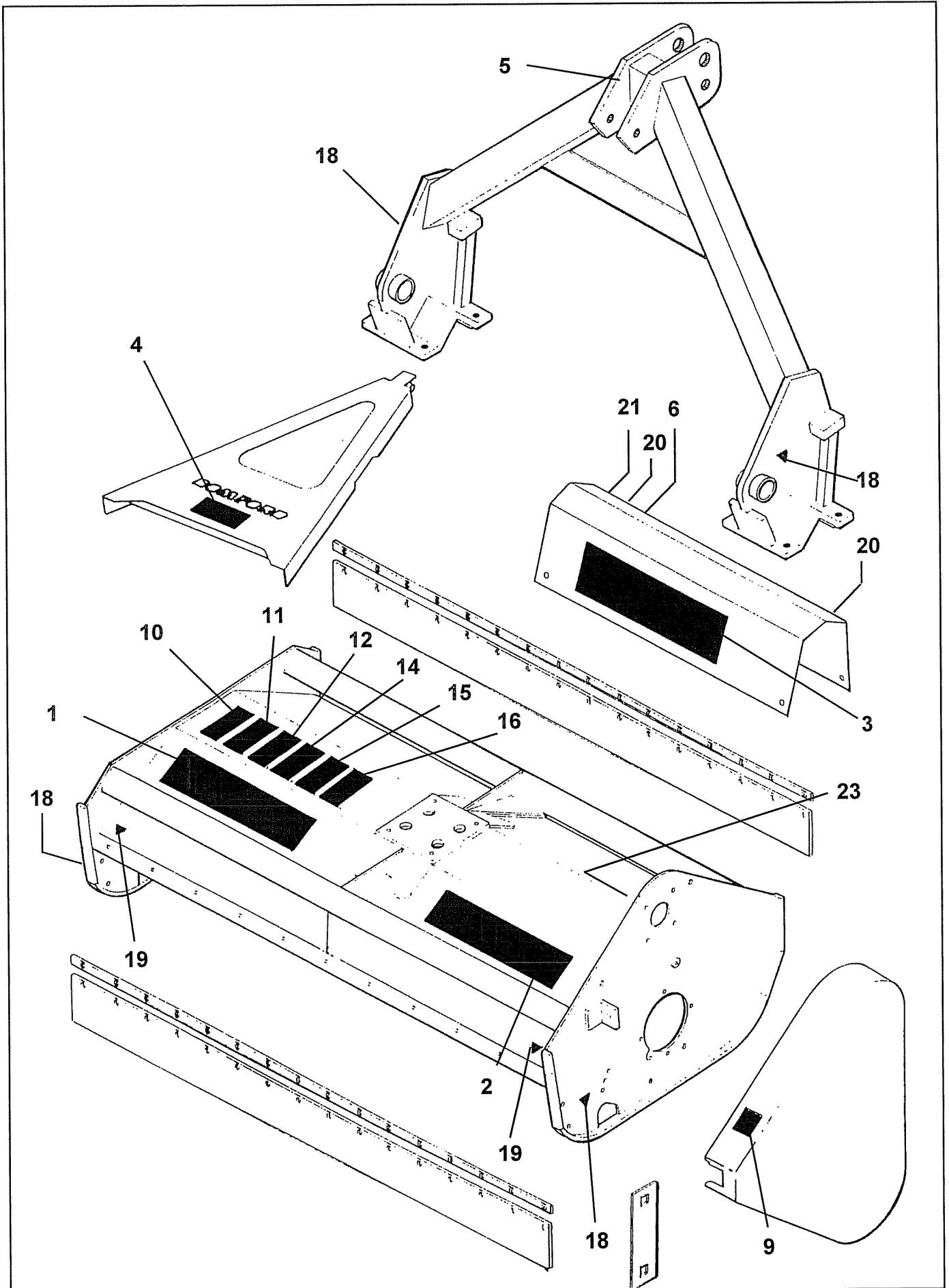
REF	PART NO	DESCRIPTION	QTY
76.287.40/41 ROTOR SHAFT 1500 MP44			
17	41957.10	ROTOR SHAFT ASSEMBLY CW	1
18	41957.11	ROTOR SHAFT ASSEMBLY AC	1
31	05.775.10	BOLT - SPECIAL M14 X 94MM	40
32	05.282.08	SPRING WASHER 14MM PLATED	38
33	05.968.06	S.LOCKING NUT M14 (FINE) PLATE	40
34	05.895.01	SHACKLE-FORGED	40
35	05.281.04	FLAT WASHER 16MM PLATED	80
36	42750.01	FLAIL - FORGED MP44	40
37	05.282.04	SPRING WASHER 16MM PLATED	2
38	02.807.01	SPACER 1"O/D X 16MM I/D X 27MM	40
76.287.42 ROTOR SHAFT 1500 FLARED			
19	41957.12	ROTOR SH.ASY 4194402/4165401	1
31	05.775.10	BOLT - SPECIAL M14 X 94MM	40
32	05.282.08	SPRING WASHER 14MM PLATED	38
33	05.968.06	S.LOCKING NUT M14 (FINE) PLATE	40
34	05.895.01	SHACKLE-FORGED	40
35	05.281.04	FLAT WASHER 16MM PLATED	80
37	05.282.04	SPRING WASHER 16MM PLATED	2
38	02.807.01	SPACER 1"O/D X 16MM I/D X 27MM	40
39	41654.01	FLAIL - FLARED 51 X 8	80
76.287.43 ROTOR SHAFT 1500 PROFLAIL			
21	41957.13	ROTOR SH.ASSEMBLY CW	1
21	41957.14	ROTOR SH.ASSEMBLY AW	1
31	05.775.10	BOLT - SPECIAL M14 X 94MM	40
33	05.968.06	S.LOCKING NUT M14 (FINE) PLATE	40
37	05.282.04	SPRING WASHER 16MM PLATED	40
40	09.894.01	COLLAR - PIVOT	80
48	42155.01	FLAIL-SINGLE EDGE (PRO-FLAIL)	40

*MAIN PART IN GROUP, RELATED PARTS HAVE SAME REFERENCE NUMBER



REF	PART NO	DESCRIPTION	QTY
76.544.02 ROTOR BEARING ASSEMBLY			
01	05.345.05	SOCKET CSK SCREW M12X1.75 X 40	4
*01	06.221.01	BEARING ASSEMBLY 40 - BORE	1
02	05.282.03	SPRING WASHER 12MM PLATED	4
02	05.286.03	NUT M12 PLATED	4
02	05.345.09	SOCKET CSK SCREW M12X1.75 X 30	4
*02	42855.01	PLATE - BEARING DRIVE	1
03	05.264.25	SETSCREW M12 X 40MM PLATED	4
03	05.282.03	SPRING WASHER 12MM PLATED	4
*03	06.221.01	BEARING ASSEMBLY 40 - BORE	1
04	05.264.24	SETSCREW M12 X 35MM PLATED	4
04	05.282.03	SPRING WASHER 12MM PLATED	4
04	05.286.03	NUT M12 PLATED	4
*04	42856.01	PLATE - BEARING NON-DRIVE	1
05	06.195.01	GUARD-NON DRIVE	1
*06	02.824.01	WASHER 50 O/D X 13 I/D X 6MM	2
06	05.264.23	SETSCREW M12 X 30MM PLATED	2
06	05.283.03	SHAKEPROOF WASHER 12MM PLATED	2
07	06.219.01	DISC-SHIELD	2
08	42962.01	SPACER 55 X 40.5 - 5.00	1
09	43033.01	ADAPTER 1/8" BSP GREASE	2
10	05.948.40	NUT 1/8" BSP	2
11	43031.01	ADAPTER - GREASE M10	2
12	05.953.04	GREASE NIPPLE M10 90 DEG	2
13	05.282.03	SPRING WASHER 12MM PLATED	2
13	05.286.03	NUT M12 PLATED	2
13	05.839.26	BOLT CUP SQ M12 X 30 (PLATED)	2
*13	43030.01	BRACKET - DISC 45 LH	2
14	05.282.03	SPRING WASHER 12MM PLATED	2
14	05.286.03	NUT M12 PLATED	2
14	05.839.26	BOLT CUP SQ M12 X 30 (PLATED)	2
*14	43030.02	BRACKET - DISC 45 RH	2

*MAIN PART IN GROUP, RELATED PARTS HAVE SAME REFERENCE NUMBER



REF	PART NO	DESCRIPTION	QTY
DECALS			
01	42793.01	DECAL - BANDIT	1
02	09.980.41	DECAL - B1500	1
03	09.837.02	DECAL - BOMFORD	1
04	42794.01	DECAL - UNION JACK	1
05	09.843.03	DECAL - LIFT POINT 500 KG	1
10	09.821.01	DECAL - READ INSTRUCTION BOOK	1
11	09.821.08	DECAL - SAFEWORKING ON HEAD	1
12	09.821.10	DECAL - KEEP NUTS TIGHT	1
13	09.821.16	DECAL - KEEP OUT ZONE	1
14	09.821.17	DECAL - UNSUPPORTED MACHINE	1
15	09.821.18	DECAL - THROWN DEBRIS	1
16	09.821.20	DECAL - SHAFT ENTANGLEMENT	1
17	09.821.24	DECAL - FLAIL HEAD DANGER	1
18	09.810.01	DECAL-GREASE (8 HOURS)	4
19	09.810.06	DECAL - GREASE (250 HOURS)	2
20	09.810.07	DECAL - GREASE (500 HOURS)	2
21	09.811.04	DECAL - MAX PTO SPEED 540	1
22	09.811.01	DECAL - MAX PTO SPEED 540	1
23	42931.01	DECAL - ADJUSTMENT DISC	1