

PM1761

BX324, BX364
VERGE MOWERS

PARTS MANUAL

ISSUE 10

IMPORTANT

NOTE HERE THE SERIAL NUMBER OF YOUR MACHINE AND ALWAYS QUOTE IT IN ANY COMMUNICATION WITH US OR YOUR DEALER. THIS IS PARTICULARLY IMPORTANT WHEN ORDERING SPARES. REMEMBER TO INCLUDE ALL NUMBERS AND LETTERS.

MACHINE SERIAL NUMBERS _____

THE INFORMATION GIVEN THROUGHOUT THIS MANUAL IS CORRECT AT THE TIME OF PUBLICATION. HOWEVER, IN THE COURSE OF CONSTANT DEVELOPMENT OF BOMFORD TURNER MACHINES, CHANGES IN SPECIFICATION ARE INEVITABLE. SHOULD YOU FIND THE INFORMATION GIVEN IN THIS BOOK TO BE AT VARIANCE WITH THE MACHINE IN YOUR POSSESSION, YOU ARE ADVISED TO CONTACT THE BOMFORD TURNER SERVICE DEPARTMENT WHERE UP-TO-DATE INFORMATION WILL BE PROVIDED.

THE MANUAL CAN CONTAIN STANDARD AND OPTIONAL FEATURES AND IS NOT TO BE USED AS A MACHINE SPECIFICATION.

THE MACHINE HAS BEEN TESTED AND IS CONSIDERED SAFE IF CAREFULLY USED. ENSURE YOUR OPERATOR IS PROPERLY TRAINED IN ITS USE AND MAINTENANCE.

IMPORTANT

NOTEZ ICI LES NUMEROS DE SERIE DE VOTRE MACHINE ET MENTIONNEZ LES DANS TOUTE COMMUNICATION AVEC NOS SERVICES OU VOTRE REVENDEUR. CECI EST IMPORTANT POUR LA COMMANDE DE PIECES DETACHEES. PENSEZ A NOTER TOUS LES NUMEROS ET TOUTES LES LETTERS.

NUMEROS DE SERIE DE LA MACHINE _____

LES INFORMATIONS DONNEES DANS CE MANUEL SONT CORRECTES CEPENDANT, DU FAIT DE DEVELOPPEMENT CONSTANT DES MACHINES BOMFORD TURNER.

CHANGEMENTS DANS LES CARACTERISTIQUES SONT INEVITABLES.

SI VOUS TROUVEZ QUE LES INFORMATIONS DONNEES NE CORRESPONDENT PAS A VOTRE MACHINE VEUILLEZ CONTACTER LE SERVICE DES REPARATIONS OU DES INFORMATIONS PLUS RECENTES VOUS SERONT DONNEES. CE MANUEL PEUT MONTRER DES CARACTERISTIQUES OPTIONNELLES ET NE PEUT PAS ETRE CONSIDERE COMME SPECIFICATION DE LA MACHINE.

CETTE MACHINE A ETE TESTEE, ET ELLE EST CONSIDEREE COMME FIABLE A CONDITION D'UNE BONNE UTILISATION. ASSUREZ-VOUS QUE VOTRE OPERATEUR EST QUALIFIE EN CE QUI CONCERNE L'UTILISATION DE LA MACHINE AINSI QUE SON ENTRETIEN.

WICHTIG

TRAGEN SIE HIER DIE SERIENNUMMERN IHRER MASCHINE EIN UND GEBEN SIE DIESE IMMER AN, WENN SIE SICH AN UNS ODER IHREN HÄNDLER WENDEN. DAS IST BESONDERS BEI ERSATZTEILBESTELLUNGEN WICHTIG. VERGESSEN SIE NICHT, ALLE ZAHLEN UND BUCHSTABEN ZU NOTIEREN.

SERIENNUMMERN DER MASCHINE _____

DIE ANGABEN IN DIESEM HANDBUCH SIND BEI VERÖFFENTLICHUNG KORREKT. AUFGRUND DER KONSTANTEN WEITERENTWICKLUNG VON BOMFORD TURNER MASCHINEN SIND JEDOCH ÄNDERUNGEN IN DER SPEZIFIKATION UNVERMEIDLICH. WENN DIE INFORMATION IN DIESEM HANDBUCH NICHT MIT IHRER MASCHINE ÜBEREINSTIMMT, NEHMEN SIE BITTE KONTAKT MIT DER BOMFORD TURNER KUNDENDIENSTABTEILUNG AUF, DIE IHNEN GERNE DIE AKTUELLEN INFORMATION ZUKOMMEN LÄSST.

DAS HANDBUCH KANN SOWOHL BESCHREIBUNGEN FÜR DIE STANDARD AUSFÜHRUNG ALS AUCH FÜR ZUBEHÖR ENTHALTEN UND IST NICHT ALS MASCHINENSPEZIFIKATION ZU VERWENDET.

DIE MASCHINE IST GETESTET UND BEI SACHGEMÄSSEM BETRIEB ALS SICHER BEFUNDEN WORDEN. SORGEN SIE DAFÜR, DASS IHR BEDIENPERSONAL IN ANWENDUNG UND WARTUNG RICHTIG GESCHULT WIRD.

BX324 AND BX364 REAR MOUNT MACHINES

PAGE AND ILLUSTRATION NUMBERS ARE USED ONLY FOR REFERENCE PURPOSES AND SHOULD NOT BE USED FOR ORDERING SPARE PARTS. PLEASE ENSURE THE CORRECT PART NUMBER AND DESCRIPTION IS GIVEN WHEN ORDERING SPARE PARTS.

*For BX324 machines with serial numbers commencing from ...2465H...
For BX364 machines with serial numbers commencing from ...2366H....*

BX324		BX364	
Page No.	Title	Page No.	Title
2 - 1 TO 2 - 2	MAINFRAME LINKS	9 - 1 TO 9 - 2	MAINFRAME LINKS
3 - 1 TO 3 - 2	ARM ASSEMBLY	10-1 TO 10- 2	ARM ASSEMBLY
4 - 1 TO 4 - 2	GEARBOX PTO SHAFT PULLEYS & BELTS	11-1 TO 11- 2	GEARBOX PTO SHAFT PULLEYS & BELTS
5 - 1 TO 5 - 2	RAMS & HOSES	12-1 TO 12- 2	RAMS & HOSES
6 - 1 TO 6 - 2	COWL ASSEMBLY	13-1 TO 13- 2	COWL ASSEMBLY
7 - 1 TO 7 - 2	ROTOR SHAFTS BEARINGS	14-1 TO 14- 2	ROTOR SHAFTS BEARINGS
8 - 1	DECALS	15-1 TO 15 -6	DECALS

OPTIONAL EXTRAS

Page No.	Title
16-1 TO 16-2	ACCUMULATOR
17-1 TO 17-2	VALVE ASSEMBLY OPEN CENTRE
18-1 TO 18-2	VALVE ASSEMBLY LOAD SENSING

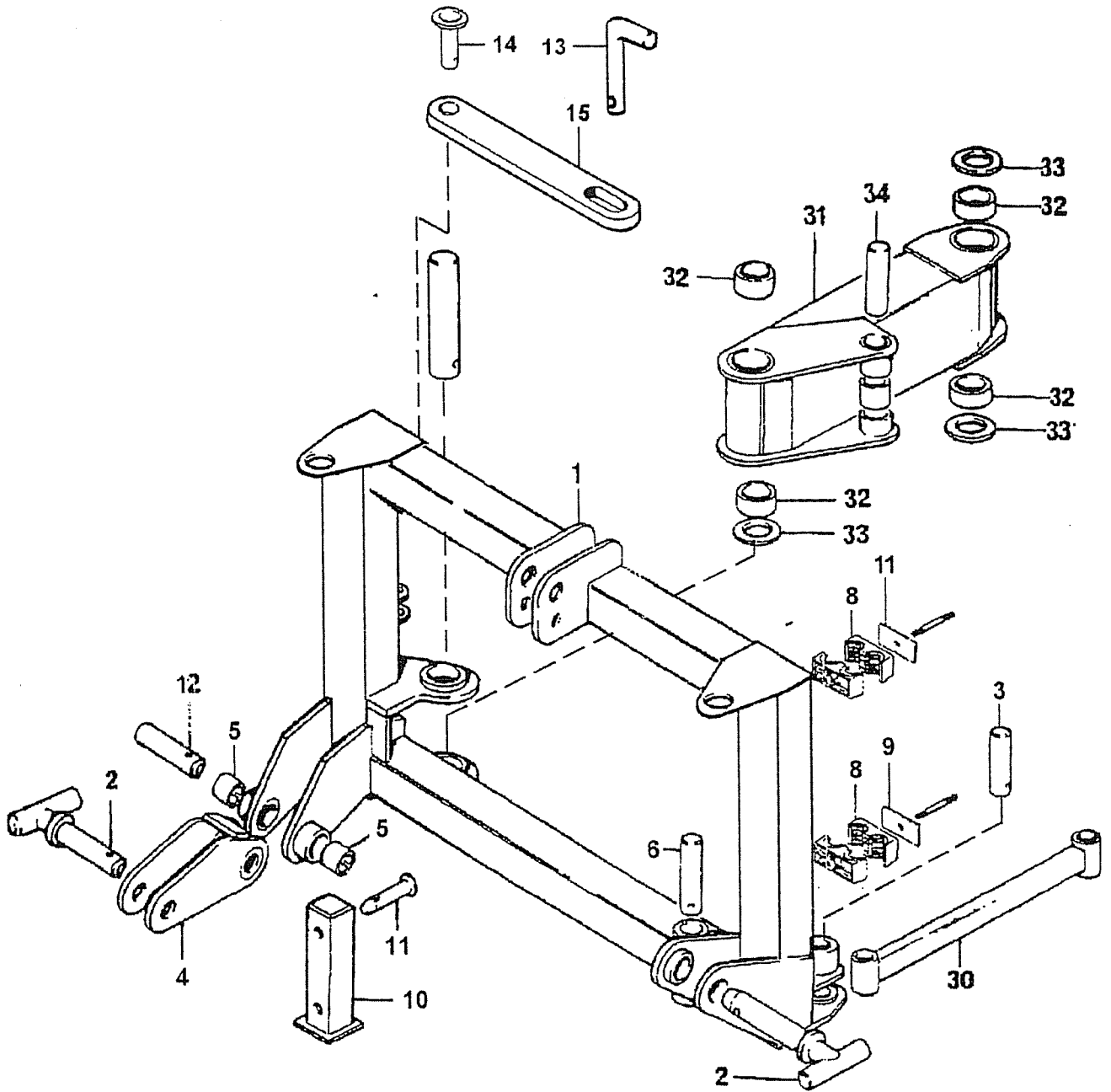
IMPORTANT

THIS MACHINE IS FOR VEGETATION CONTROL AND
MUST NOT BE USED FOR ANY OTHER PURPOSE

IT IS POTENTIALLY HAZARDOUS TO FIT OR USE
ANY PARTS OTHER THAN GENUINE BOMFORD TURNER PARTS

THE COMPANY DISCLAIMS ALL LIABILITY FOR THE
CONSEQUENCES OF SUCH USE, WHICH IN ADDITION
VOIDS THE MACHINE WARRANTY

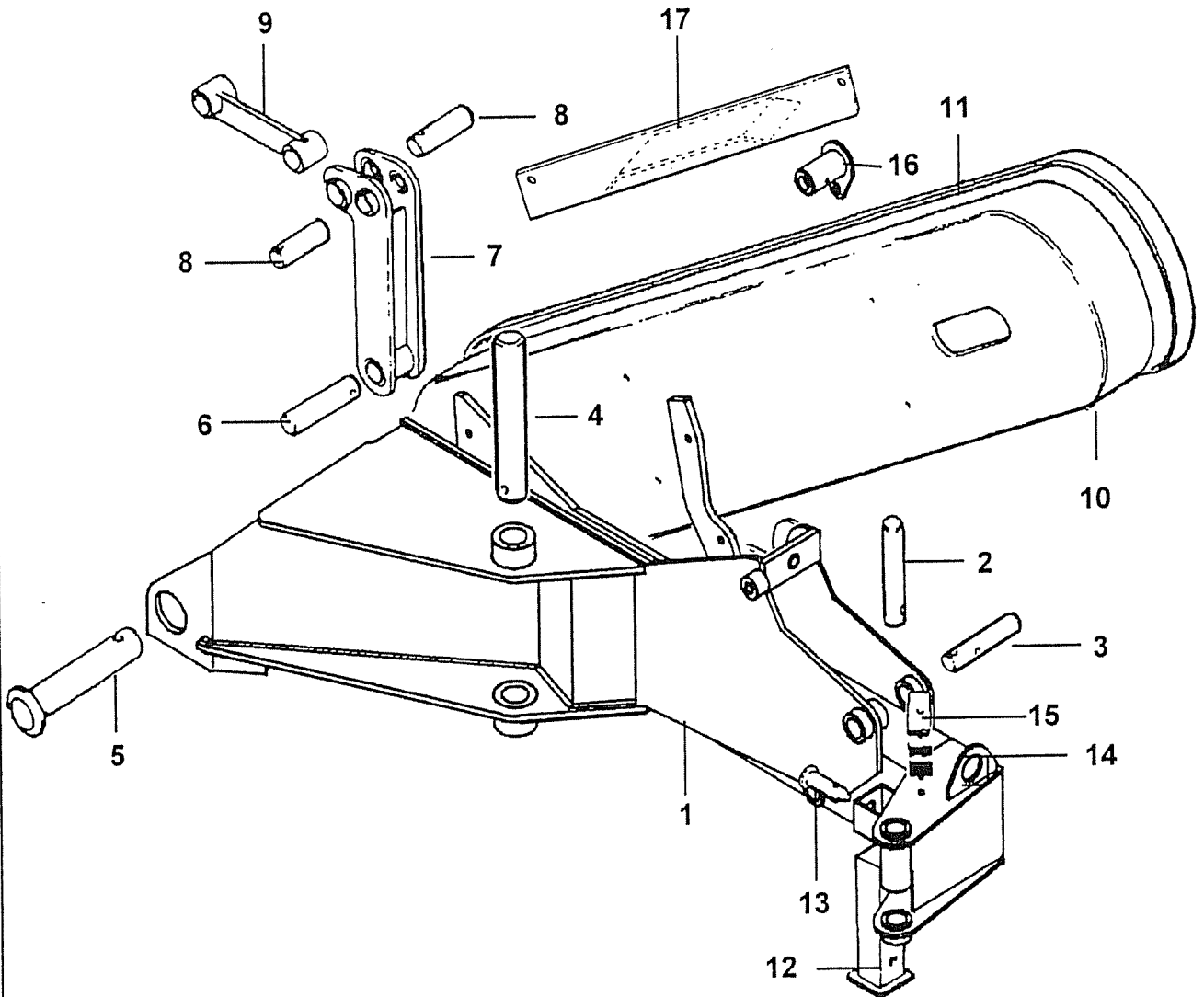
BX324



REF	PART NO	DESCRIPTION	QTY
76.019.02 MAINFRAME ASSEMBLY			
*01	42146.02	MAINFRAME RH	1
01	05.227.01	HAMMER DRIVE SCREW NO.6 X 3/8"	2
01	05.774.06	SERIAL NO. PLATE BOMFORD TURNER	1
*02	41.281.01	PIN 1.1/18" DIA - 140	2
02	00.372.01	LINCH PIN	2
*03	03.654.19	PIN 30 DIA X 153	1
03	05.201.07	TENSION PIN 8MM X 45MM PLATED	1
03	05.953.03	GREASE NIPPLE M10	1
04	09.241.01	LINK - BREAKOUT	1
05	02.771.06	TENSION BUSH 35 X 30 X 30	2
*06	03.653.54	PIN 25 DIA X 129	1
06	05.291.05	BOLT, M8 X 50	1
06	05.287.01	NUT, SELF LOCKING, M8	1
06	05.953.03	GREASE NIPPLE M10	1
*07	03.656.74	PIN 40 DIA - 306	1
07	05.282.02	SPRING WASHER 10MM PLATED	1
07	05.286.02	NUT M10 PLATED	1
07	05.292.11	BOLT M10 X 80MM PLATED	1
07	05.953.03	GREASE NIPPLE M10	1
*08	06.430.02	CLAMP HOSE 14 X 14	8
08	04.282.30	STUD M8 X 85 PLATED	2
08	05.281.01	FLAT WASHER 8MM PLATED	2
08	05.282.01	SPRING WASHER 8MM PLATED	2
08	05.286.01	NUT M8 PLATED	2
09	06.418.02	CLAMP PLATE 30 X 6 PLATED	2
10	41332.01	STAND	1
*11	03.652.01	PIN 20 DIA X 90	1
11	00.372.01	LINCH PIN	1
*12	03.654.71	PIN 30 DIA - 173 END	1
12	05.201.07	TENSION PIN 8MM X 45MM PLATED	1
12	05.953.03	GREASE NIPPLE M10	1
*13	03.651.18	PIN 16 DIA X 68MM	1
13	05.964.01	SPRING COTTER 3.6MM DIA	1
*14	03.652.23	PIN 20 DIA X 27	1
14	05.284.14	SPLIT COTTER 5MM X 40MM	1
15	42130.01	STRAP - TRANSPORT	1
74.992.02 SWING LINKS			
30	09.237.01	LINK - SWING	1
31	41.246.02	LINK - SWING RAM	1
32	08.297.02	BUSH - PLASTIC 47 X 40 X 40	4
33	09.232.01	THRUST WASHER	3
*34	03.653.71	PIN 25 DIA X 232MM	1
34	05.201.07	TENSION PIN 8MM X 45MM PLATED	1
34	05.953.01	GREASE NIPPLE M6	1
35	09.235.02	SPACER 40 O/D X 25.5 I/D - 26	1

*MAIN PART IN GROUP, RELATED PARTS HAVE SAME REFERENCE NUMBER

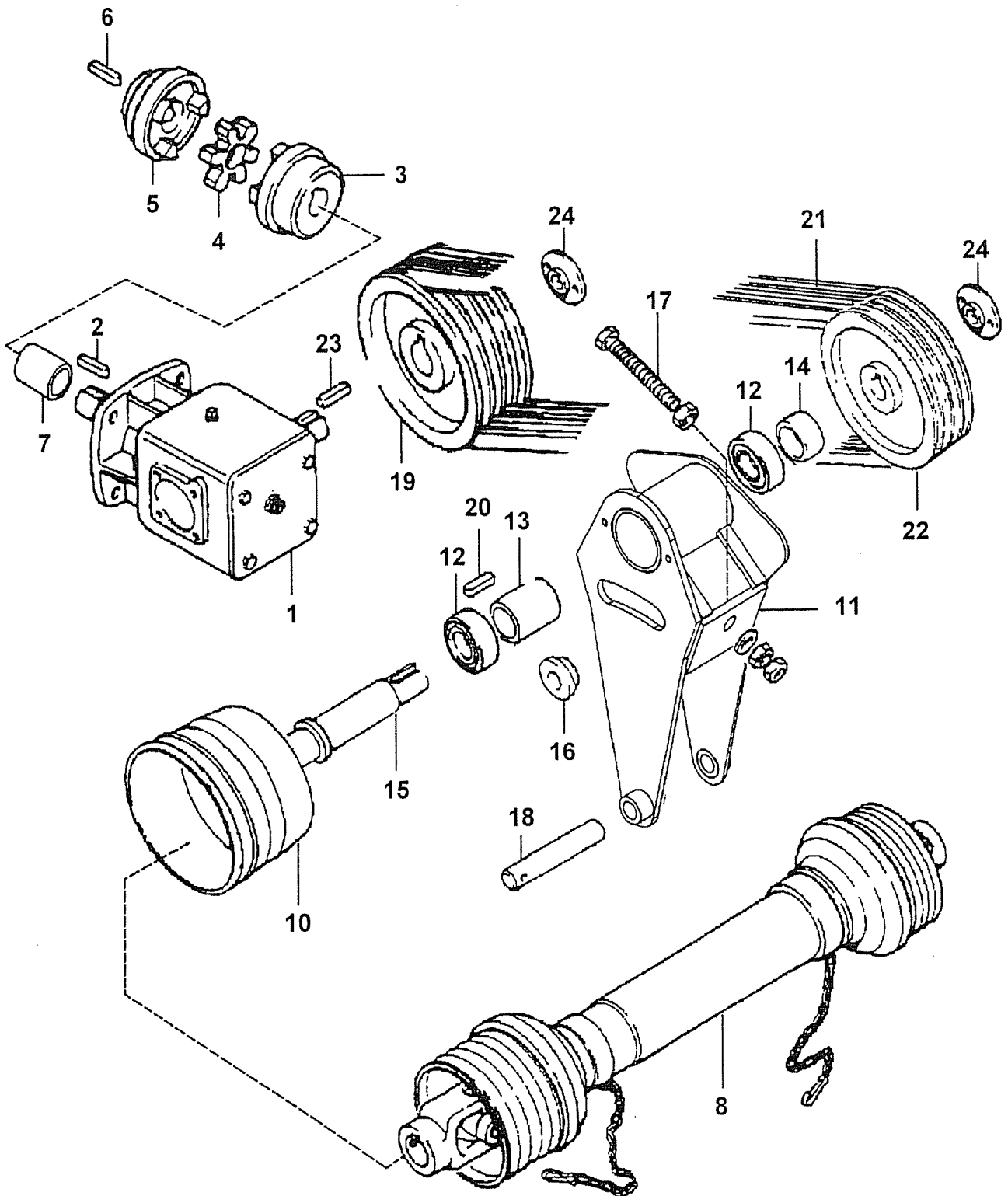
BX324



REF	PART NO	DESCRIPTION	QTY
76.020.01 ARM ASSEMBLY			
*01	41.256.01	ARM RH <i>(up to Serial No. 1167J/98)</i>	1
01	41.256.04	ARM RH <i>(from Serial No. 1168J/98)</i>	1
*02	03.654.70	PIN 30 DIA - 194	1
02	05.201.07	TENSION PIN 8MM X 45MM PLATED	1
02	05.953.01	GREASE NIPPLE M6	1
*03	03.654.69	PIN 30 DIA - 150	1
03	05.282.01	SPRING WASHER 8MM PLATED	1
03	05.286.01	NUT M8 PLATED	1
03	05.291.06	BOLT M8 X 55MM PLATED	1
*04	03.656.75	PIN 40 DIA - 333	1
04	05.282.02	SPRING WASHER 10MM PLATED	1
04	05.286.02	NUT M10 PLATED	1
04	05.292.11	BOLT M10 X 80MM PLATED	1
04	05.953.03	GREASE NIPPLE M10	1
*05	03.656.73	PIN 40 DIA - 310	1
05	05.282.02	SPRING WASHER 10MM PLATED	1
05	05.286.02	NUT M10 PLATED	1
05	05.292.11	BOLT M10 X 80MM PLATED	1
05	05.953.03	GREASE NIPPLE M10	1
*06	02.837.01	PIN 30 DIA X 135MM	1
06	04.175.01	STUD M10 X 29MM	1
06	05.281.02	FLT WASHER 10MM PLATED FORM C	1
06	05.968.02	SELF LOCKING NUT M10 (FINE)	1
*07	41.241.01	LINK - RAM	1
07	05.953.01	GREASE NIPPLE M6	1
*08	03.654.53	PIN 30 DIA X 92MM	2
08	05.201.11	TENSION PIN 5MM X 45MM PLATED	2
*09	41.060.01	LINK - COWL	1
09	05.953.01	GREASE NIPPLE M6	2
*10	41764.02	GUARD - REAR RH	1
10	05.264.12	SETSCREW M10 X 25MM PLATED	2
10	05.264.13	SETSCREW M10 X 30MM PLATED	2
10	05.282.02	SPRING WASHER 10MM PLATED	4
*11	41775.01	GUARD - COVER	1
11	05.264.11	SETSCREW M10 X 20MM PLATED	4
11	05.282.02	SPRING WASHER 10MM PLATED	4
12	41332.01	STAND	1
*13	03.652.01	PIN 20 DIA X 90	1
13	00.372.01	LINCH PIN	1
*14	06.430.02	CLAMP HOSE 14 X 14	2
14	04.282.32	STUD M8 X 52	1
14	05.281.01	FLAT WASHER 8MM PLATED	1
14	05.282.01	SPRING WASHER 8MM PLATED	1
14	05.286.01	NUT M8 PLATED	1
15	06.418.02	CLAMP PLATE 30 X 6 PLATED	1
16	42652.04	PIN 40 X 70	1
16	05.264.21	SETSCREW M12 X 20MM PLATED	1
16	05.281.03	FLAT WASHER 12MM PLATED	1
16	05.282.03	SPRING WASHER 12MM PLATED	1
16	05.953.01	GREASE NIPPLE	1
17	43008.01	BRACKET-BELT SUPPORT	1

*MAIN PART IN GROUP, RELATED PARTS HAVE SAME REFERENCE NUMBER

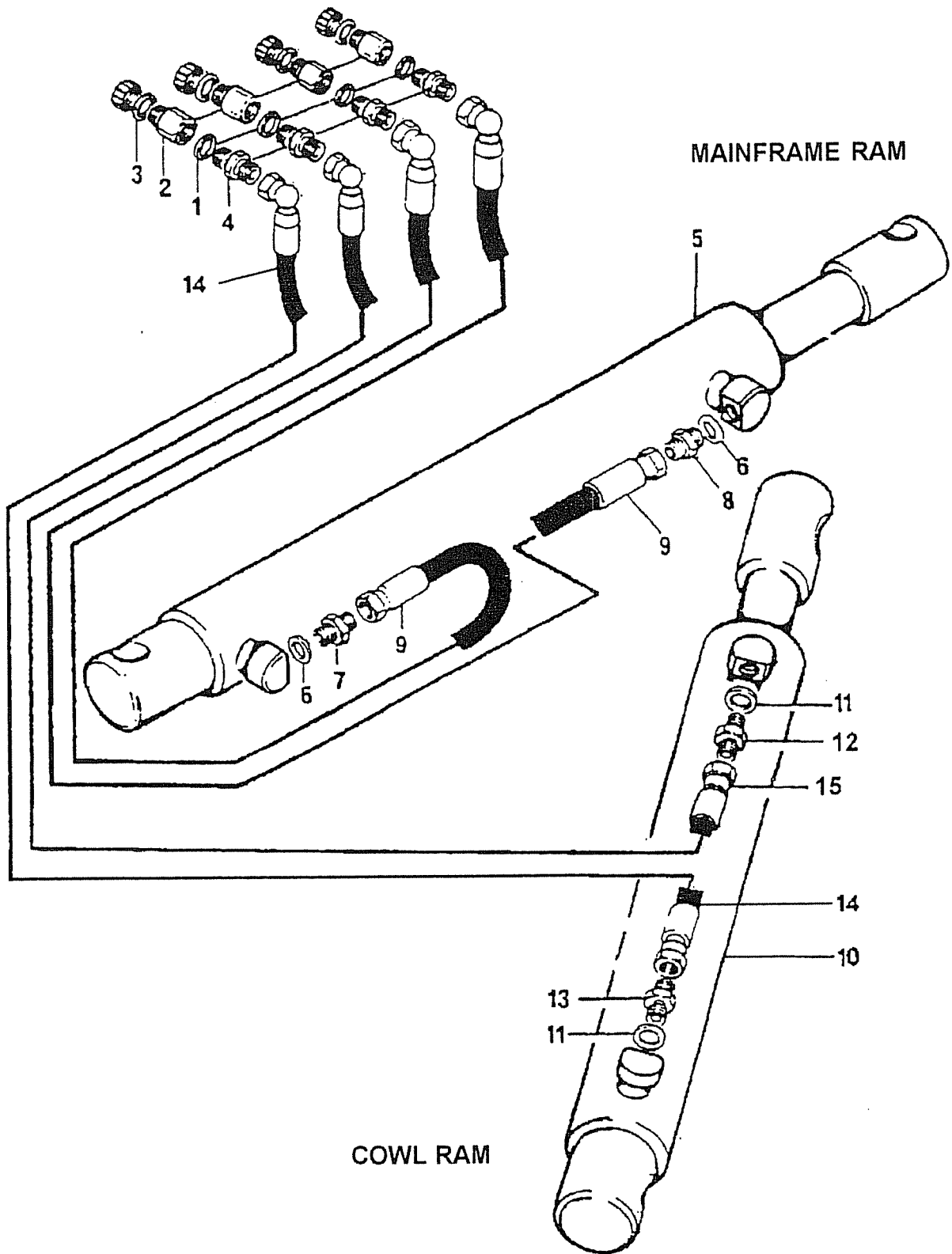
BX324



REF	PART NO	DESCRIPTION	QTY
76.027.01 DRIVE BRACKET, PULLEYS & BELTS			
*10	09.236.01	GUARD - PLASTIC PTO	1
10	05.264.11	SETSCREW M10 X 20MM PLATED	2
10	05.281.02	FLT WASHER 10MM PLATED FORM C	2
10	05.282.02	SPRING WASHER 10MM PLATED	2
11	41768.04	BRACKET - DRIVE RH (up to Serial No. 1167J/98)	1
11	41768.06	BRACKET - DRIVE RH (from Serial No. 1168J/98)	1
12	03.007.06	BEARING - BALL 40MM BORE	2
13	41.258.01	SPACER 50 OD X 40.2 ID - 94	1
14	09.264.01	SPACER 50 O/D X 40.2 I/D - 26	1
*15	41730.01	SHAFT - PULLEY/PTO	1
15	05.264.24	SETSCREW M12 X 35MM PLATED	1
15	05.282.03	SPRING WASHER 12MM PLATED	1
*16	09.263.01	COLLAR - CLAMP	1
16	05.264.34	SETSCREW M16 X 35MM PLATED	1
16	05.282.04	SPRING WASHER 16MM PLATED	1
*17	41769.01	BOLT - ADJUSTMENT	1
17	05.264.02	SETSCREW M8 X 25MM PLATED	4
17	05.281.04	FLAT WASHER 16MM PLATED	4
17	05.282.01	SPRING WASHER 8MM PLATED	4
17	05.286.04	NUT M16 PLATED	3
*18	03.653.63	PIN 25 X 186	1
18	05.201.07	TENSION PIN 8MM X 45MM PLATED	1
19	05.388.01	SCKT GRUBSCREW M8 X 25MM CONE PT	1
19	41.245.01	PULLEY - 250 PCD X 4 SPB	1
20	05.960.03	KEY-SEP 10MM X 8MM X 50MM	1
21	05.299.51	BELT XPB 2500 QUAD POWER GATES	4
*22	41.244.01	PULLEY - 180 X 4 SPB	1
22	05.388.01	SCKT GRUBSCREW M8 X 25MM CONE PT	1
23	05.960.22	KEY-REP 10 X 8 X 58	1
24	09.297.01	WASHER 75 O/D X 13 I/D X 6	2
74.993.01 GEARBOX ASSEMBLY			
*01	09.250.04	GEARBOX ASSEMBLY COMER RH	1
01	02.824.01	WASHER 50 O/DX13 I/D X 6MM	1
01	05.264.24	SETSCREW M12 X 35MM PLATED	1
01	05.282.03	SPRING WASHER 12MM PLATED	1
02	05.960.22	KEY-REP 10 X 8 X 58	1
*03	41.250.02	HUB-COUPLING 35MM BORE	1
03	05.388.01	SCKT GRUBSCREW M8 X 25MM CONE PT	2
04	41.250.04	DRIVE - COUPLING	1
05	41.250.03	HUB-COUPLING 45MM BORE	1
06	05.960.13	KEY-S/REP 14MM X 9MM X 45MM	1
07	42613.02	SPACER 50 X 35.5 - 25MM	1
72.478.01 PTO SHAFT ASSEMBLY			
*08	41624.06	PTO SHAFT ASSY 810MM C/C	1
08	41624.31	CROSS JOURNAL SET	-
08	41624.34	COMPLETE SHIELD	-
76.536.01 PTO SHAFT ASSEMBLY			
*08	42788.01	PTO SHAFT ASSY 810MM C/C	1
08	06.154.13	CROSS JOURNAL SET	-
08	04.402.31	COMPLETE SHIELD	-

*MAIN PART IN GROUP, RELATED PARTS HAVE SAME REFERENCE NUMBER

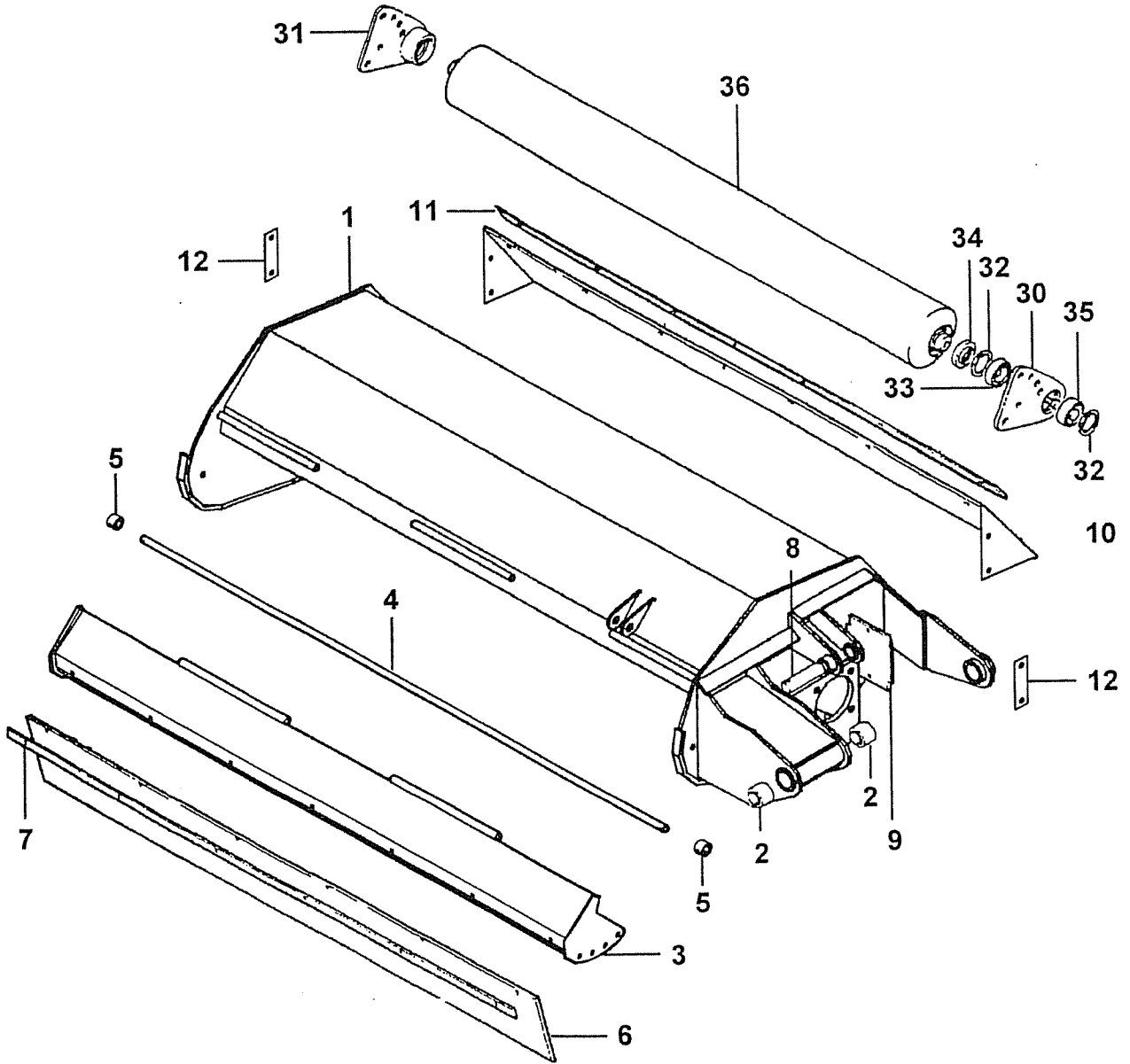
BX324



REF	PART NO	DESCRIPTION	QTY
74.984.01 RAMS/HOSES			
01	05.290.05	BONDED SEAL 1/2"BSP	4
*02	05.225.01	ADAPTOR-RDCG.1/2"BSP X 3/8"BSP	4
02	05.300.03	PLUG-PLASTIC 1/2"BSP FEMALE	4
03	05.290.04	BONDED SEAL 3/8"BSP	4
04	01.099.01	ADAPTOR 3/8BSP X1/4BSP	4
*05	41.042.03	RAM ASSY - 50 BORE	1
05	41.042.01	SEAL KIT - 41.042.XX RAMS.	-
06	05.290.04	BONDED SEAL 3/8"BSP	2
07	03.028.12	RESTRICTOR 3/8"BSP X 1/4"BSP 1.70	1
08	03.028.08	RESTRICTOR 3/8" X 1/4BSP 1.27	1
09	10.002.34	HOSE 1/4"BSP ST X 90 S.SEAL 2400	1
*10	09.993.04	RAM ASSY DIA 80 BORE	1
10	05.953.01	GREASE NIPPLE M6	2
10	09.993.01	SEAL KIT FOR 09.993.XX RAMS	-
11	05.290.04	BONDED SEAL 3/8"BSP	2
12	03.028.16	RESTRICTOR 3/8X1/4"BSP 1.00MM	1
13	01.099.01	ADAPTOR 3/8BSP X1/4BSP	1
14	10.002.32	HOSE 1/4"BSP ST X 90 S.SEAL 2200	2
14	10.002.39	HOSE 1/4"BSP ST X 90 S.SEAL 2900	1
15	10.002.44	HOSE 1/4"BSP ST X 90 S.SEAL 3400	1

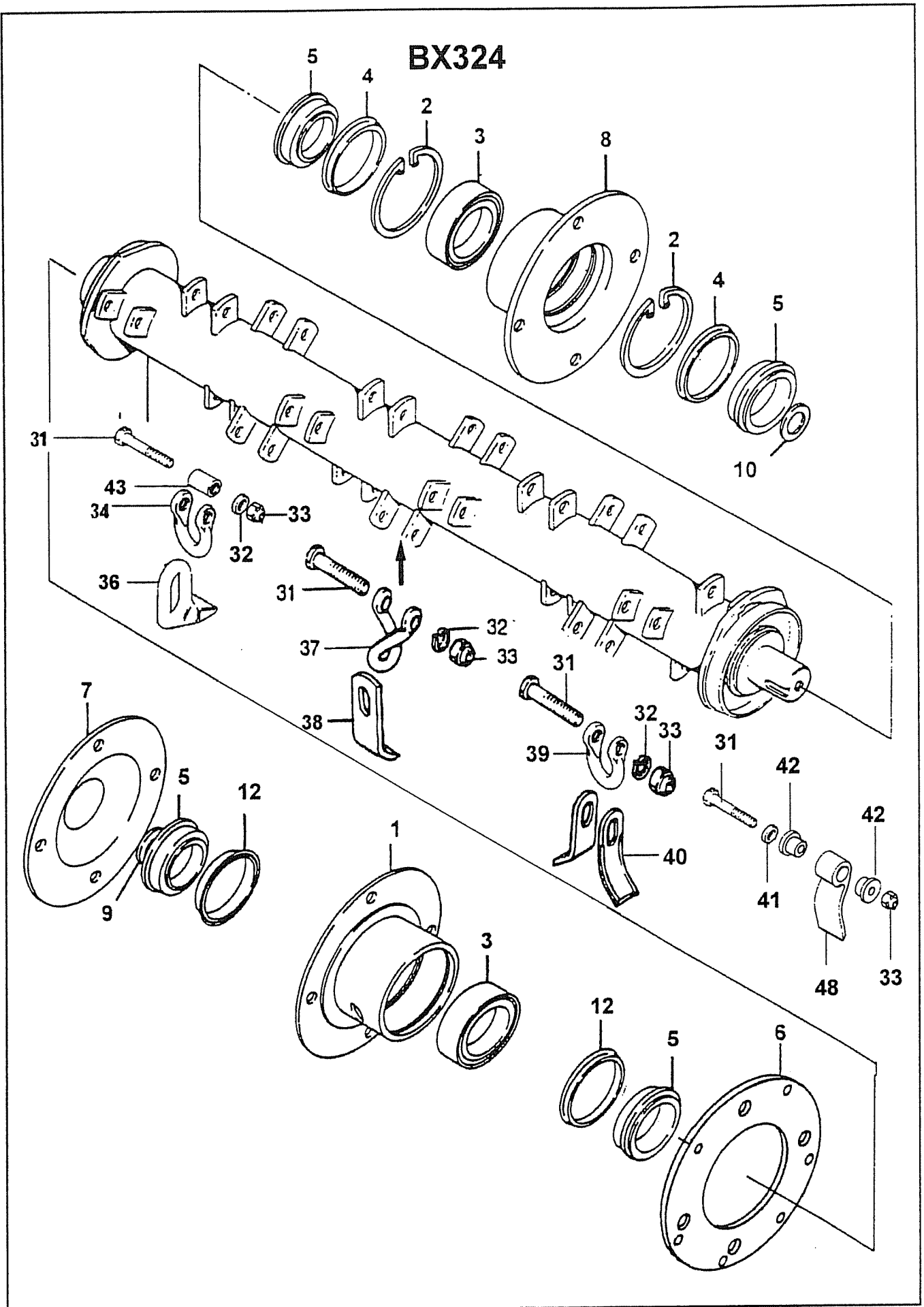
*MAIN PART IN GROUP, RELATED PARTS HAVE SAME REFERENCE NUMBER

BX324



REF	PART NO	DESCRIPTION	QTY
74.986.02 COWL ASSEMBLY REAR 1600			
*01	42128.01	COWL - 1600 REAR RH (Up to Serial No. 1167J/98)	1
01	42128.03	COWL - 1600 REAR RH (From Serial No. 1168J/98)	1
01	42128.05	COWL - 1600 ONLY USED WITH FLAIL 42155.01	1
01	03.886.01	STUD M16 X 60MM PLATED	4
01	05.281.04	FLAT WASHER 16MM PLATED	4
01	05.282.04	SPRING WASHER 16MM PLATED	4
01	05.286.04	NUT M16 PLATED	4
02	08.297.02	BUSH - PLASTIC 47 X 40 X 40	2
*03	42125.01	GUARD - FRONT ADJUSTABLE	1
03	05.282.03	SPRING WASHER 12MM PLATED	2
03	05.286.03	NUT M12 PLATED	2
03	05.839.26	BOLT CUP SQ M12 X 30 (PLATED)	2
*04	42129.04	PIN - PIVOT FRONT GUARD 1600	1
04	05.201.17	TENSION PIN 3MM X 25MM PLATED	2
05	41436.02	SPACER-PIVOT FRONT GUARD	2
06	42126.01	GUARD - FLEXIBLE 1600	1
*07	10.120.01	BACKING STRIP	1
07	05.287.01	SELF-LOCKING NUT M8 PLATED	7
07	9293054	BOLT CUP SQUARE M8X25 (PLATE)	7
*08	03.654.54	PIN 30 DIA X 121MM	1
08	05.282.01	SPRING WASHER 8MM PLATED	1
08	05.286.01	NUT M8 PLATED*	1
08	05.291.06	BOLT M8 X 55MM PLATED	1
*09	41.070.01	COVER - COWL DRIVE	1
09	05.282.01	SPRING WASHER 8MM PLATED	2
09	30.068.95	SCREW M8 X 12 8.8 GRADE Z/P	2
10	42127.01	GUARD - FLEXIBLE 1600	1
*11	10.120.01	BACKING STRIP	1
11	05.287.01	SELF-LOCKING NUT M8 PLATED	7
11	9293054	BOLT CUP SQUARE M8X25 (PLATE)	7
*12	41418.01	CLAMP - GUARD	2
12	05.282.03	SPRING WASHER 12MM PLATED	4
12	05.286.03	NUT M12 PLATED	4
12	05.839.26	BOLT CUP SQ M12 X 30 (PLATED)	4
74.985.02 ROLLER ASSEMBLY 1600			
*30	42144.01	BRACKET - ROLLER 150 LH	1
30	05.282.03	SPRING WASHER 12MM PLATED	3
30	05.286.03	NUT M12 PLATED	3
30	05.839.34	BOLT CUP SQ M12 X 35 (PLATED)	2
30	05.839.35	BOLT CUP SQ M12 X 40 (PLATED)	1
*31	42144.02	BRACKET - ROLLER 150 RH	1
31	05.282.03	SPRING WASHER 12MM PLATED	3
31	05.286.03	NUT M12 PLATED	3
31	05.839.34	BOLT CUP SQ M12 X 35 (PLATED)	2
31	05.839.35	BOLT CUP SQ M12 X 40 (PLATED)	1
32	05.959.05	CIRCLIP - INT 62MM DIA	4
33	42954.01	BEARING - D/ROW BALL 30MM BORE	2
34	04.164.04	SEAL-LIP 40DIA X 10MM	2
*35	41851.01	CAP - BEARING RETAINER	2
35	05.953.01	GREASE NIPPLE M6	4
*36	42955.08	ROLLER	1
36	05.234.01	WASHER 44.5 X 13 X 5MM PLATED	2
36	05.282.03	SPRING WASHER 12MM PLATED	2
36	05.625.10	SKT CAPSCRW M12 X 30 DOME HEAD	2

*MAIN PART IN GROUP, RELATED PARTS HAVE SAME REFERENCE NUMBER



REF	PART NO	DESCRIPTION	QTY
74.994.01 BEARING ASSEMBLY			
*01	04.268.02	HOUSING-BEARING	1
01	05.264.24	SETSCREW M12 X 35MM PLATED	4
01	05.282.03	SPRING WASHER 12MM PLATED	4
01	05.286.03	NUT M12 PLATED	4
01	05.953.03	GREASE NIPPLE M10	1
02	05.959.07	CIRCLIP - INT 85MM DIA	2
03	04.163.04	BEARING-SPH.ROLLER 45MM BORE	2
04	06.909.01	SPACER-SEAL	2
05	06.910.01	COLLAR-SEAL	4
*06	41.238.01	PLATE - BEARING	1
06	05.264.23	SETSCREW M12 X 30MM PLATED	5
06	05.282.03	SPRING WASHER 12MM PLATED	5
06	05.286.03	NUT M12 PLATED	5
07	00.876.02	BEARING COVER	1
*08	41.240.01	BEARING HOUSING DRIVE	1
08	05.264.24	SETSCREW M12 X 35MM PLATED	4
08	05.282.03	SPRING WASHER 12MM PLATED	4
08	05.286.03	NUT M12 PLATED	4
*09	04.252.01	WASHER 65 O/DX17 I/DX8MM	1
09	05.264.33	SETSCREW M16 X 30MM PLATED	1
09	05.283.04	SHAKEPROOF WASHER 16MM PLATED	1
*10	41.257.01	WASHER 50 X 6	1
10	05.345.08	SOCKET CSK SCREW M16 X 2.0 X 30	1
12	43272.01	SPACER SEAL - STEPPED	2
76.022.02 ROTOR SHAFT ASSEMBLY			
30	42151.01	ROTOR SHAFT ASSY 4215001/0952701CW	1
31	05.775.10	BOLT - SPECIAL M14 X 94MM	44
32	05.282.08	SPRING WASHER 14MM PLATED	44
33	05.968.06	S.LOCKING NUT M14 (FINE) PLATE	44
37	09.516.01	SHACKLE - TWISTED	44
38	09.527.01	FLAIL 40 X 12	44
76.022.03 ROTOR SHAFT ASSEMBLY			
30	42151.02	ROTOR SHAFT ASSY 4215001/0295901CW	1
31	05.775.10	BOLT - SPECIAL M14 X 94MM	44
32	05.282.08	SPRING WASHER 14MM PLATED	44
33	05.968.06	S.LOCKING NUT M14 (FINE) PLATE	44
34	09.518.01	SHACKLE - LONG	44
36	02.959.01	FLAIL - FORGED	44
43	41725.01	SPACER 1"O/D X 16 - 22	44
76.022.04 ROTOR SHAFT ASSEMBLY			
30	42151.03	ROTOR SHAFT ASSY 4215001/0295901CW	1
31	05.775.10	BOLT - SPECIAL M14 X 94MM	44
32	05.282.08	SPRING WASHER 14MM PLATED	44
33	05.968.06	S.LOCKING NUT M14 (FINE) PLATE	44
39	09.517.01	SHACKLE - STANDARD	44
40	09.528.01	FLAIL 39 X 8	88
76.022.05 ROTOR SHAFT ASSEMBLY			
30	42151.04	ROTOR SH. ASSY	1
31	05.775.10	BOLT - SPECIAL M14 X 96MM	44
33	05.968.06	S.LOCKING NUT M14 (FINE) PLATE	44
42	09.894.01	COLLAR - PIVOT	88
41	05.282.04	SPRING WASHER 16MM PLATED	44
48	42155.01	FLAIL - SINGLE EDGE (PRO-FLAIL)	44

*MAIN PART IN GROUP, RELATED PARTS HAVE SAME REFERENCE NUMBER

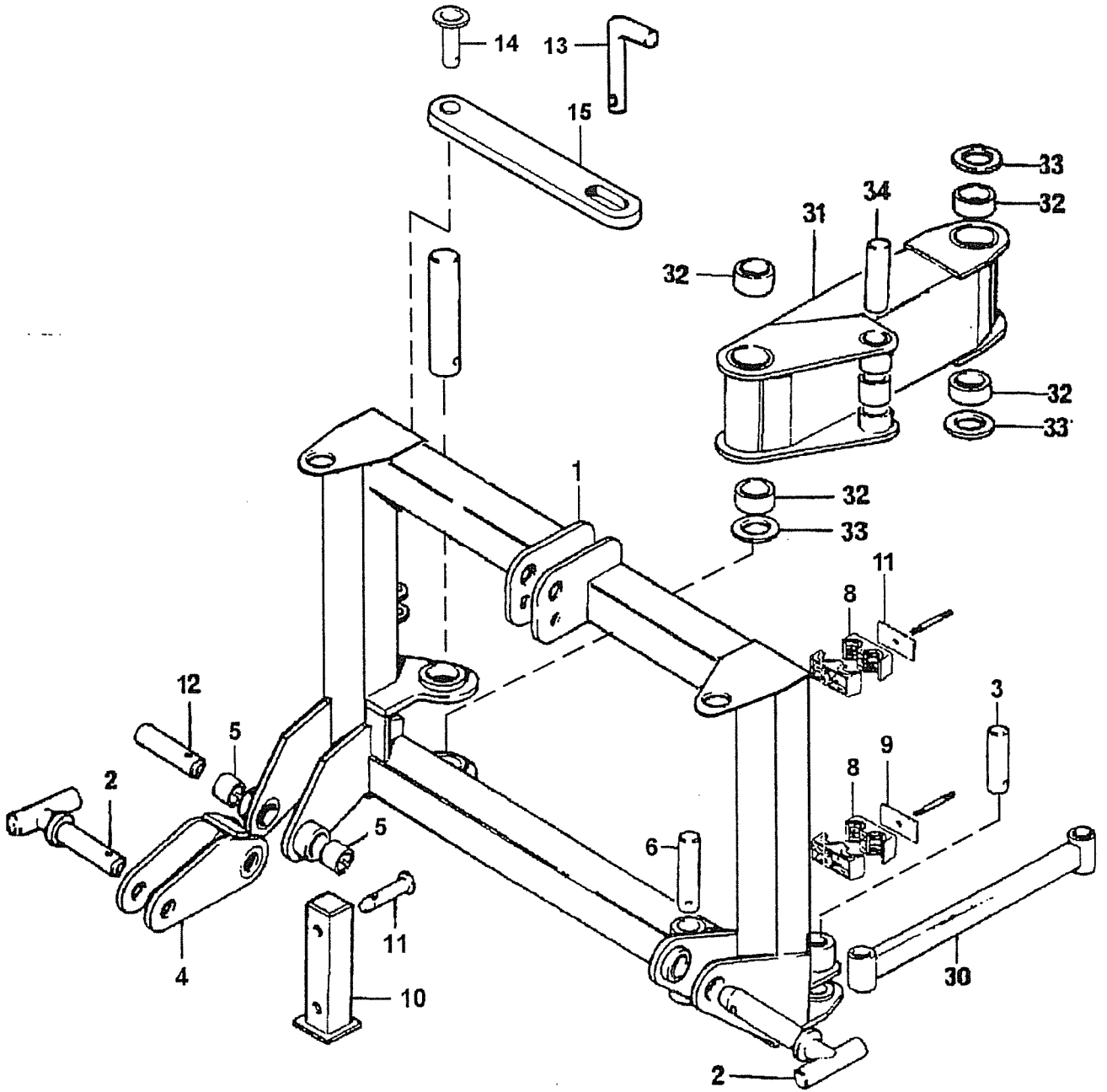
REF	PART NO	DESCRIPTION	QTY
76.023.01 DECALS			
01	09.837.01	DECAL - BOMFORD	2
04	09.843.04	DECAL - LIFT POINT 750 KG	1
05	09.821.21	DECAL - FALLING WING	1
06	09.821.20	DECAL - SHAFT ENTANGLEMENT	1
07	09.821.18	DECAL - THROWN DEBRIS	1
08	09.821.17	DECAL - UNSUPPORTED MACHINE	1
09	09.821.16	DECAL - KEEP OUT ZONE	1
10	09.821.01	DECAL - READ INSTRUCTION BOOK	1
11	09.821.10	DECAL - KEEP NUTS TIGHT	1
12	09.821.08	DECAL - SAFEWORKING ON HEAD	1
13	09.821.07	DECAL - RESIDUAL PRESSURE	1
14	09.821.06	DECAL - SLEW DANGER	1
15	09.821.05	DECAL - CUTTING HEAD DANGER	1
16	09.811.05	DECAL - MAX PTO SPEED 1000	1
17	09.810.02	DECAL - GREASE (40 HOURS)	4
18	09.810.01	DECAL - GREASE (8 HOURS)	9
19	09.852.01	DECAL - ARM FLOAT	-
20	09.980.31	DECAL - BX324	2

**SEE PAGES 15 - 1 TO 15 - 6
FOR ILLUSTRATIONS**

BX364

**REAR MOUNTED
SIDESHIFT MOWER**

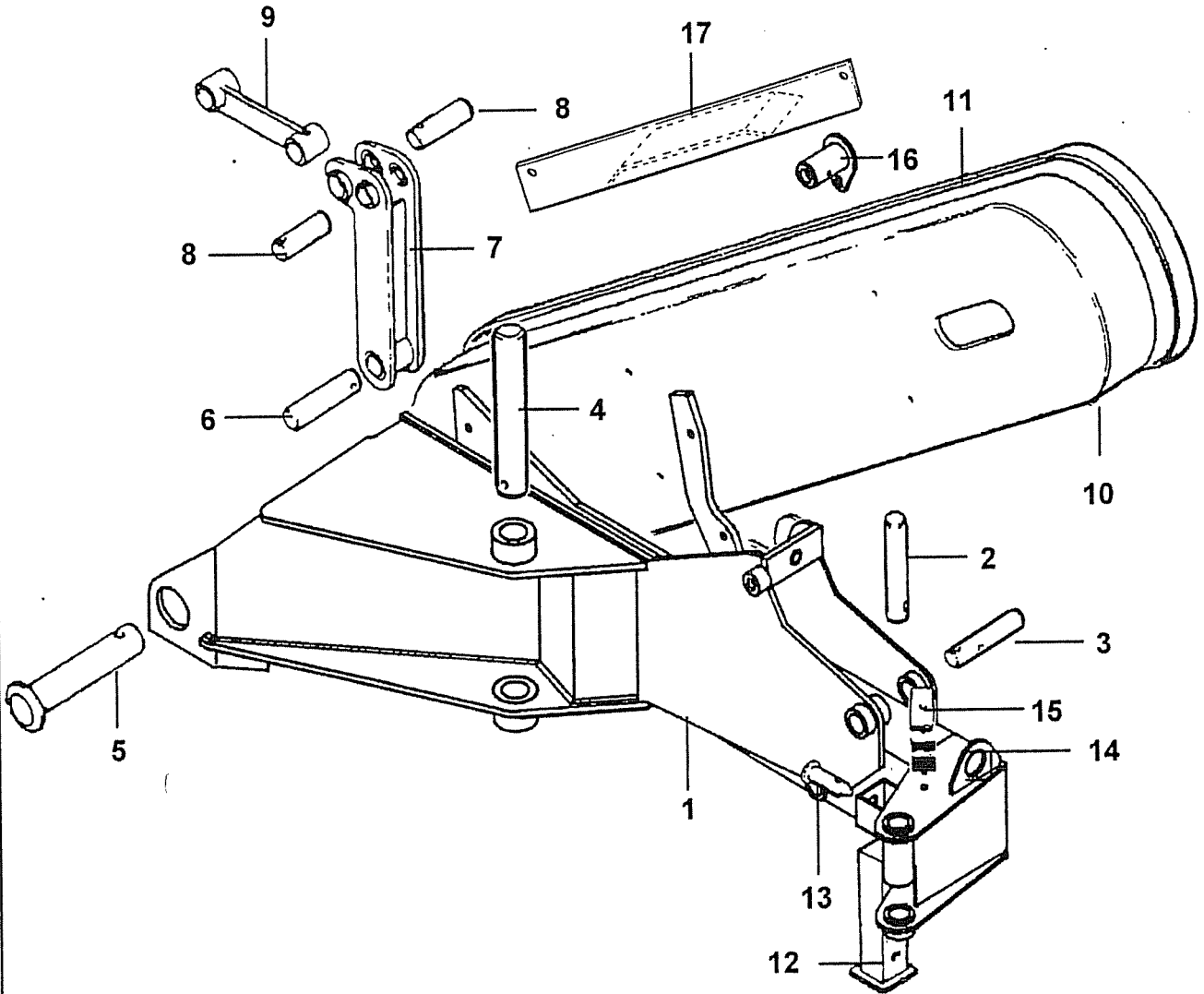
BX364



REF	PART NO	DESCRIPTION	QTY
76.019.02 MAINFRAME ASSEMBLY			
*01	42146.02	MAINFRAME RH	1
01	05.227.01	HAMMER DRIVE SCREW NO.6 X 3/8"	2
01	05.774.06	SERIAL NO. PLATE BOMFORD TURNER	1
*02	41.281.01	PIN 1.1/18" DIA - 140	2
02	00.372.01	LINCH PIN	2
*03	03.654.19	PIN 30 DIA X 153	1
03	05.201.07	TENSION PIN 8MM X 45MM PLATED	1
03	05.953.03	GREASE NIPPLE M10	1
04	09.241.01	LINK - BREAKOUT	1
05	02.771.06	TENSION BUSH 35 X 30 X 30	2
*06	03.653.54	PIN 25 DIA X 129	1
06	05.291.05	BOLT M8 X 50	1
06	05.287.01	NUT, SELF LOCKING, M8	1
06	05.953.03	GREASE NIPPLE M10	1
*07	03.656.74	PIN 40 DIA - 306	1
07	05.282.02	SPRING WASHER 10MM PLATED	1
07	05.286.02	NUT M10 PLATED	1
07	05.292.11	BOLT M10 X 80MM PLATED	1
07	05.953.03	GREASE NIPPLE M10	1
*08	06.430.02	CLAMP HOSE 14 X 14	8
08	04.282.30	STUD M8 X 85 PLATED	2
08	05.281.01	FLAT WASHER 8MM PLATED	2
08	05.282.01	SPRING WASHER 8MM PLATED	2
08	05.286.01	NUT M8 PLATED	2
09	06.418.02	CLAMP PLATE 30 X 6 PLATED	2
10	41332.01	STAND	1
*11	03.652.01	PIN 20 DIA X 90	1
11	00.372.01	LINCH PIN	1
*12	03.654.71	PIN 30 DIA - 173 END	1
12	05.201.07	TENSION PIN 8MM X 45MM PLATED	1
12	05.953.03	GREASE NIPPLE M10	1
*13	03.651.18	PIN 16 DIA X 68MM	1
13	05.964.01	SPRING COTTER 3.6MM DIA	1
*14	03.652.23	PIN 20 DIA X 27	1
14	05.284.14	SPLIT COTTER 5MM X 40MM	1
15	42130.01	STRAP - TRANSPORT	1
74.992.02 SWING LINKS			
30	09.237.01	LINK - SWING	1
31	41.246.02	LINK - SWING RAM	1
32	08.297.02	BUSH - PLASTIC 47 X 40 X 40	4
33	09.232.01	THRUST WASHER	3
*34	03.653.71	PIN 25 DIA X 232MM	1
34	05.201.07	TENSION PIN 8MM X 45MM PLATED	1
34	05.953.01	GREASE NIPPLE M6	1
35	09.235.02	SPACER 40 O/D X 25.5 I/D - 26	1

*MAIN PART IN GROUP, RELATED PARTS HAVE SAME REFERENCE NUMBER

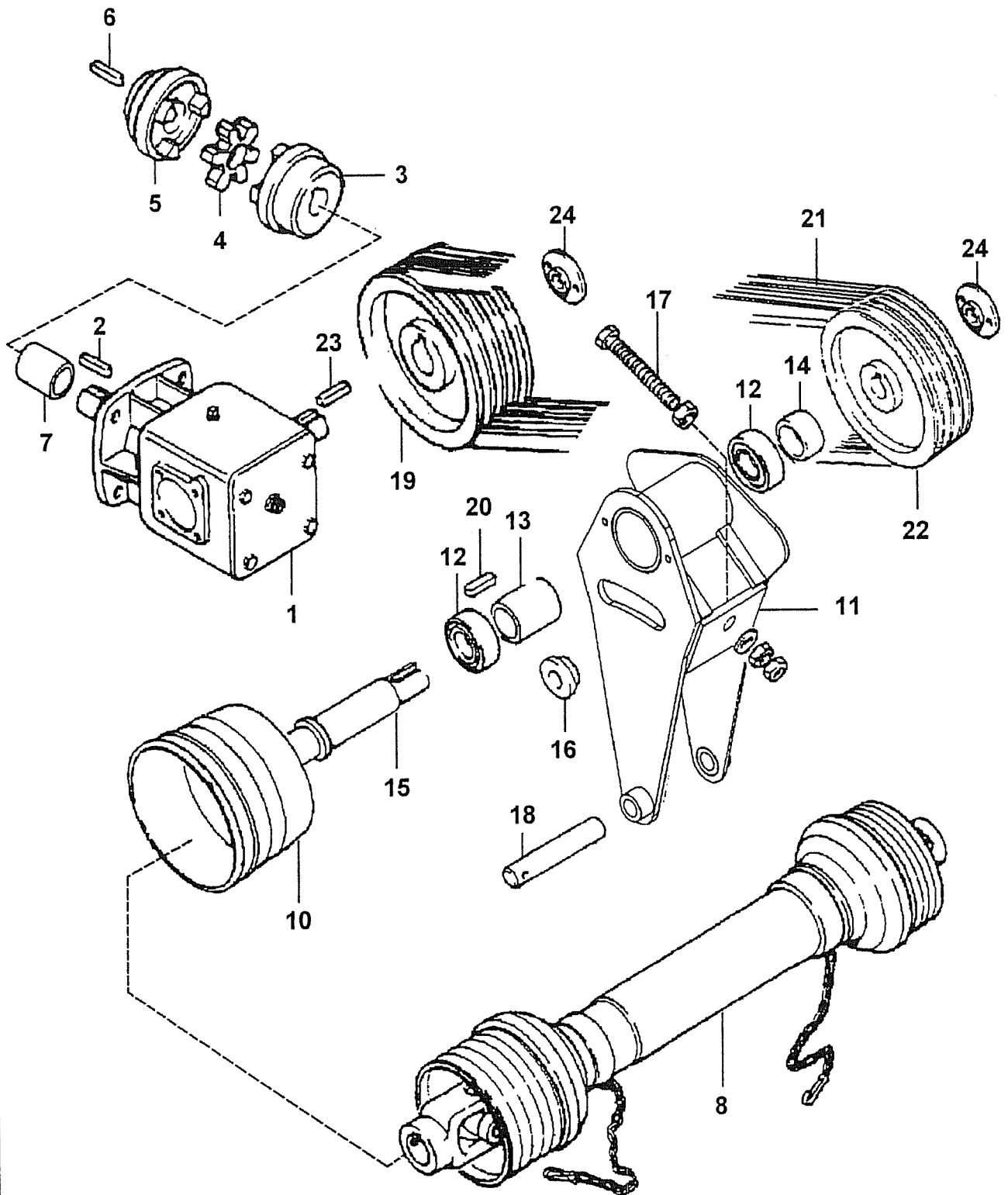
BX364



REF	PART NO	DESCRIPTION	QTY
76.020.01 ARM ASSEMBLY			
01	41.256.01	ARM RH (Up to Serial No. 1167J/98)	1
01	41.256.04	ARM RH (From Serial No. 1168J/98)	1
*02	03.654.70	PIN 30 DIA - 194	1
02	05.201.07	TENSION PIN 8MM X 45MM PLATED	1
02	05.953.01	GREASE NIPPLE M6	1
*03	03.654.69	PIN 30 DIA - 150	1
03	05.282.01	SPRING WASHER 8MM PLATED	1
03	05.286.01	NUT M8 PLATED	1
03	05.291.06	BOLT M8 X 55MM PLATED	1
*04	03.656.75	PIN 40 DIA - 333	1
04	05.282.02	SPRING WASHER 10MM PLATED	1
04	05.286.02	NUT M10 PLATED	1
04	05.292.11	BOLT M10 X 80MM PLATED	1
04	05.953.03	GREASE NIPPLE M10	1
*05	03.656.73	PIN 40 DIA - 310	1
05	05.282.02	SPRING WASHER 10MM PLATED	1
05	05.286.02	NUT M10 PLATED	1
05	05.292.11	BOLT M10 X 80MM PLATED	1
05	05.953.03	GREASE NIPPLE M10	1
*06	02.837.01	PIN 30 DIA X 135MM	1
06	04.175.01	STUD M10 X 29MM	1
06	05.281.02	FLT WASHER 10MM PLATED FORM C	1
06	05.968.02	SELF LOCKING NUT M10 (FINE)	1
*07	41.241.01	LINK - RAM	1
07	05.953.01	GREASE NIPPLE M6	1
*08	03.654.53	PIN 30 DIA X 92MM	2
08	05.201.11	TENSION PIN 5MM X 45MM PLATED	2
*09	41.060.01	LINK - COWL	1
09	05.953.01	GREASE NIPPLE M6	2
*10	41764.02	GUARD - REAR RH	1
10	05.264.12	SETSCREW M10 X 25MM PLATED	2
10	05.264.13	SETSCREW M10 X 30MM PLATED	2
10	05.282.02	SPRING WASHER 10MM PLATED	4
*11	41775.01	GUARD - COVER	1
11	05.264.11	SETSCREW M10 X 20MM PLATED	4
11	05.282.02	SPRING WASHER 10MM PLATED	4
12	41332.01	STAND	1
*13	03.652.01	PIN 20 DIA X 90	1
13	00.372.01	LINCH PIN	1
*14	06.430.02	CLAMP HOSE 14 X 14	2
14	04.282.32	STUD M8 X 52	1
14	05.281.01	FLAT WASHER 8MM PLATED	1
14	05.282.01	SPRING WASHER 8MM PLATED	1
14	05.286.01	NUT M8 PLATED	1
15	06.418.02	CLAMP PLATE 30 X 6 PLATED	1
16	42652.04	PIN 40 DIA X 70	1
16	05.264.21	SETSCREW M12 X 20MM PLATED	1
16	05.281.03	FLAT WASHER 12MM PLATED	1
16	05.282.03	SPRING WASHER 12MM PLATED	1
16	05.953.01	GREASE NIPPLE	1
17	43008.01	BRACKET-BELT SUPPORT	1

*MAIN PART IN GROUP, RELATED PARTS HAVE SAME REFERENCE NUMBER

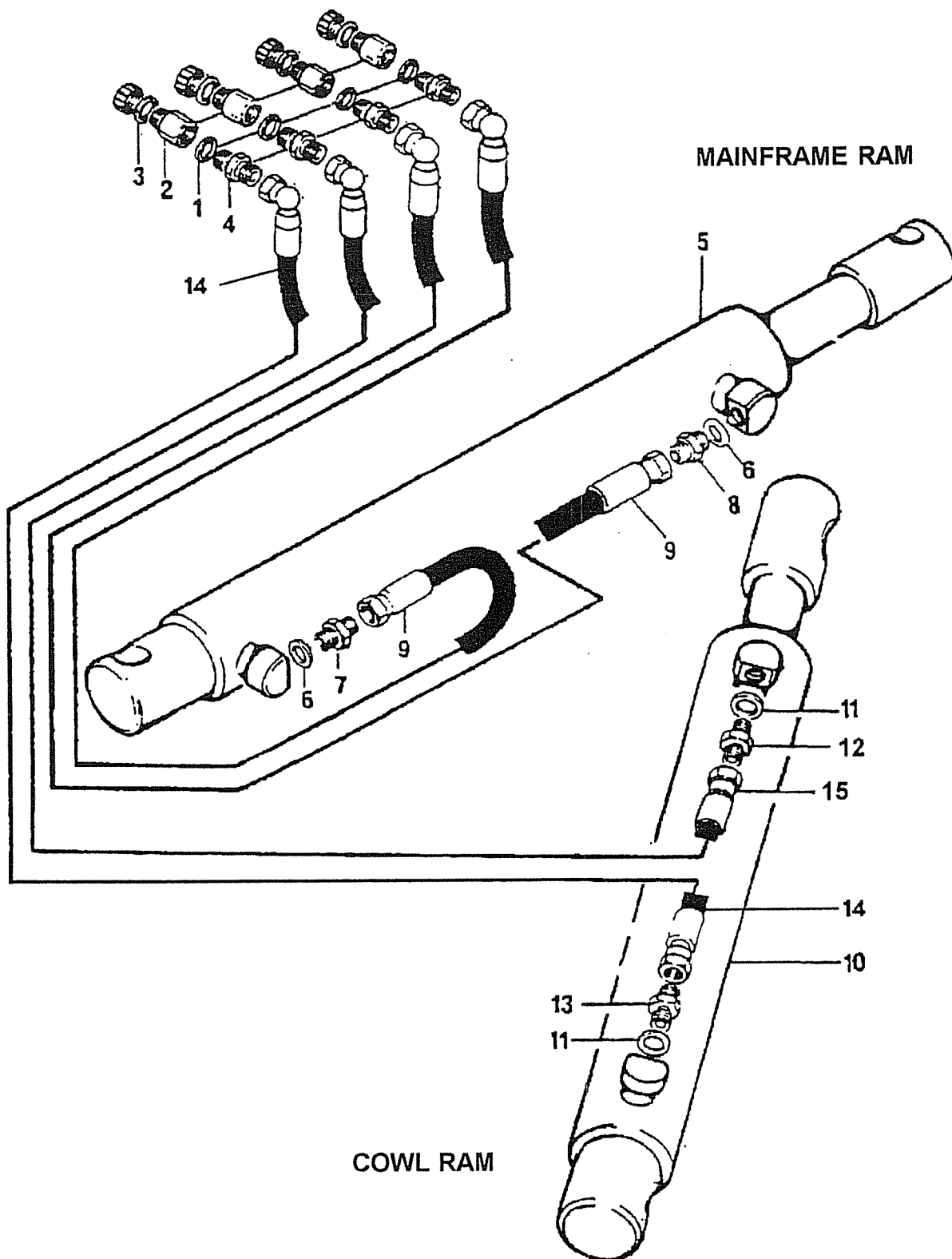
BX364



REF	PART NO	DESCRIPTION	QTY
76.027.01 DRIVE BRACKET, PULLEYS & BELTS			
*10	09.236.01	GUARD - PLASTIC PTO	1
10	05.264.11	SETSCREW M10 X 20MM PLATED	2
10	05.281.02	FLT WASHER 10MM PLATED FORM C	2
10	05.282.02	SPRING WASHER 10MM PLATED	2
11	41768.04	BRACKET - DRIVE RH (Up to Serial No. 1167J/98)	1
11	41768.06	BRACKET - DRIVE RH (From Serial No. 1168J/98)	1
12	03.007.06	BEARING - BALL 40MM BORE	2
13	41.258.01	SPACER 50 OD X 40.2 ID - 94	1
14	09.264.01	SPACER 50 O/D X 40.2 I/D - 26	1
*15	41730.01	SHAFT - PULLEY/PTO	1
15	05.264.24	SETSCREW M12 X 35MM PLATED	1
15	05.282.03	SPRING WASHER 12MM PLATED	1
*16	09.263.01	COLLAR - CLAMP	1
16	05.264.34	SETSCREW M16 X 35MM PLATED	1
16	05.282.04	SPRING WASHER 16MM PLATED	1
*17	41769.01	BOLT - ADJUSTMENT	1
17	05.264.02	SETSCREW M8 X 25MM PLATED	4
17	05.281.04	FLAT WASHER 16MM PLATED	4
17	05.282.01	SPRING WASHER 8MM PLATED	4
17	05.286.04	NUT M16 PLATED	3
*18	03.653.63	PIN 25 X 186	1
18	05.201.07	TENSION PIN 8MM X 45MM PLATED	1
19	05.388.01	SCKT GRUBSCREW M8 X 25MM CONE PT	1
19	41.245.01	PULLEY - 250 PCD X 4 SPB	1
20	05.960.03	KEY-SEP 10MM X 8MM X 50MM	1
21	05.299.51	BELT XPB 2500 QUAD POWER GATES	4
*22	41.244.01	PULLEY - 180 X 4 SPB	1
22	05.388.01	SCKT GRUBSCREW M8 X 25MM CONE PT	1
23	05.960.22	KEY-REP 10 X 8 X 58	1
24	09.297.01	WASHER 75 O/D X 13 I/D X 6	2
74.993.01 GEARBOX ASSEMBLY			
*01	09.250.04	GEARBOX ASSEMBLY COMER RH	1
01	02.824.01	WASHER 50 O/DX13 I/D X 6MM	1
01	05.264.24	SETSCREW M12 X 35MM PLATED	1
01	05.282.03	SPRING WASHER 12MM PLATED	1
02	05.960.22	KEY-REP 10 X 8 X 58	1
*03	41.250.02	HUB-COUPLING 35MM BORE	1
03	05.388.01	SCKT GRUBSCREW M8 X 25MM CONE PT	2
04	41.250.04	DRIVE - COUPLING	1
05	41.250.03	HUB-COUPLING 45MM BORE	1
06	05.960.13	KEY-S/REP 14MM X 9MM X 45MM	1
07	42613.02	SPACER 50 X 35.5 - 25MM	1
72.478.01 PTO SHAFT ASSEMBLY			
*08	41624.06	PTO SHAFT ASSY 810MM C/C)	1
08	41624.31	CROSS JOURNAL SET)	-
08	41624.34	COMPLETE SHIELD)	-
76.536.01 PTO SHAFT ASSEMBLY			
*08	42788.01	PTO SHAFT ASSY 810MM C/C)	1
08	06.154.13	CROSS JOURNAL SET)	-
08	04.402.31	COMPLETE SHIELD)	-

*MAIN PART IN GROUP, RELATED PARTS HAVE SAME REFERENCE NUMBER

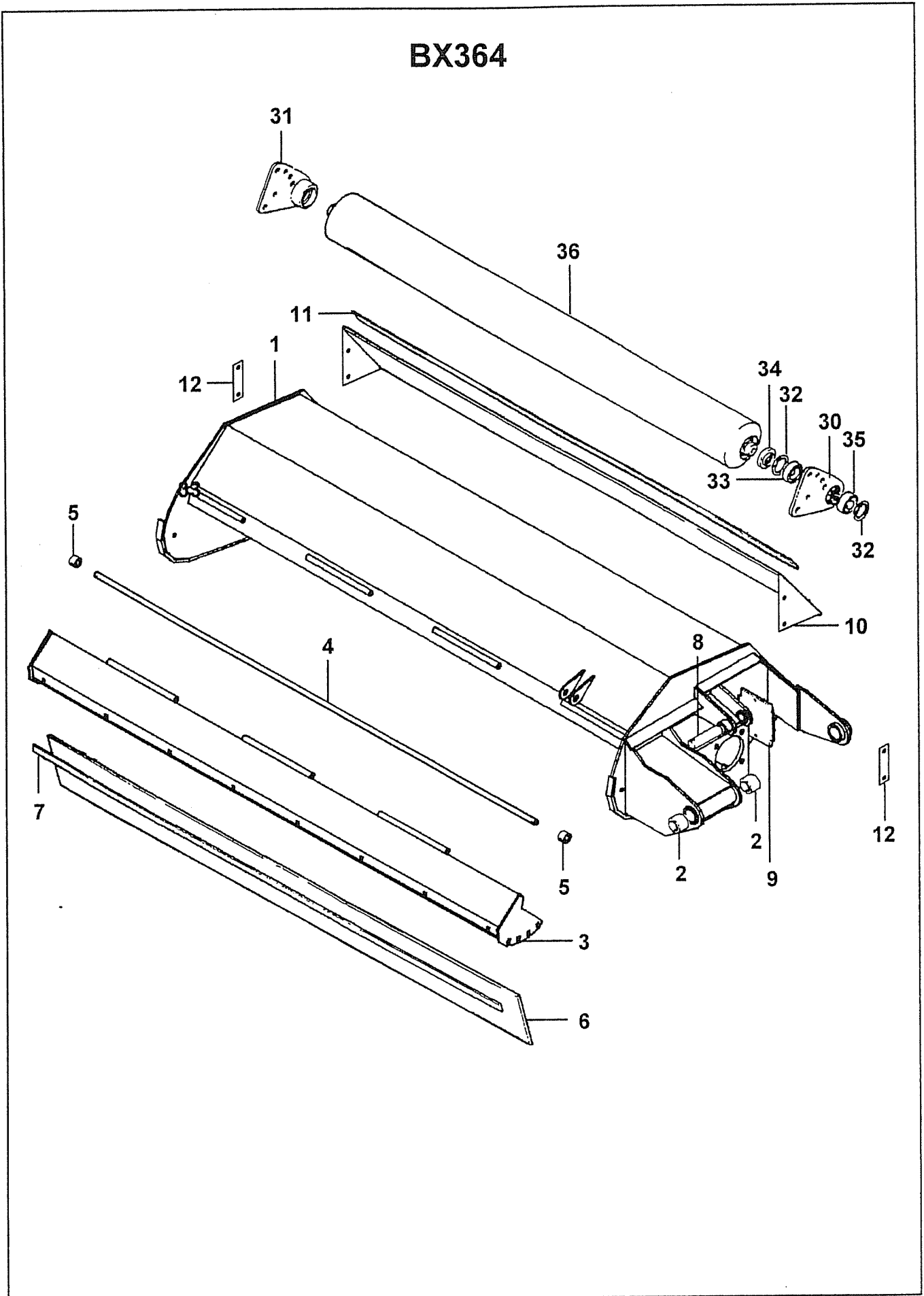
BX364



REF	PART NO	DESCRIPTION	QTY
74.984.01 RAMS/HOSES			
01	05.290.05	BONDED SEAL 1/2"BSP	4
*02	05.225.01	ADAPTOR-RDCG.1/2"BSP X 3/8"BSP	4
02	05.300.03	PLUG-PLASTIC 1/2"BSP FEMALE	4
03	05.290.04	BONDED SEAL 3/8"BSP	4
04	01.099.01	ADAPTOR 3/8BSP X 1/4BSP	4
*05	41.042.03	RAM ASSY - 50 BORE	1
05	41.042.01	SEAL KIT - 41.042.XX RAMS.	-
06	05.290.04	BONDED SEAL 3/8"BSP	2
07	03.078.12	RESTRICTOR 3/8"BSP X 1/4BSP 1.70	1
08	03.028.12	RESTRICTOR 3/8" X 1/4BSP 1.70	1
09	10.002.34	HOSE 1/4"BSP ST X 90 S.SEAL 2400	1
*10	09.993.04	RAM ASSY DIA 80 BORE	1
10	05.953.01	GREASE NIPPLE M6	2
10	09.993.01	SEAL KIT FOR 09.993.XX RAMS	-
11	05.290.04	BONDED SEAL 3/8"BSP	2
12	03.028.16	RESTRICTOR 3/8 X 1/4"BSP 1.00MM	1
13	01.099.01	ADAPTOR 3/8BSP X 1/4BSP	1
14	10.002.32	HOSE 1/4"BSP ST X 90 S.SEAL 2200	2
14	10.002.39	HOSE 1/4"BSP ST X 90 S.SEAL 2900	1
15	10.002.44	HOSE 1/4"BSP ST X 90 S.SEAL 3400	1

*MAIN PART IN GROUP, RELATED PARTS HAVE SAME REFERENCE NUMBER

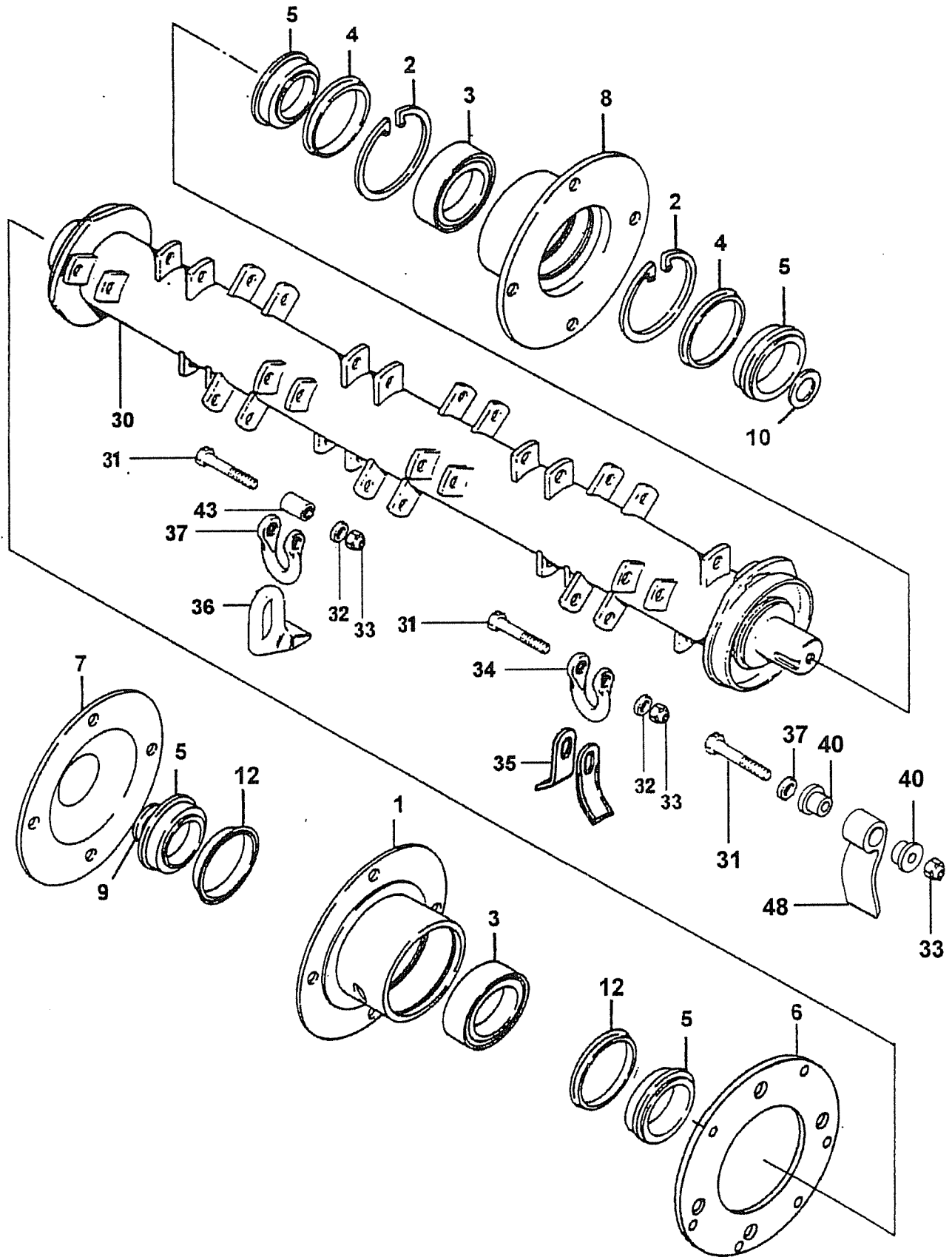
BX364



REF	PART NO	DESCRIPTION	QTY
74.986.03 COWL ASSEMBLY REAR 2000			
*01	42141.01	COWL - 2000 (Up to Serial No. 1167J/98)	1
01	42141.02	COWL - 2000 (From Serial No. 1168J/98)	1
01	42141.05	COWL - 2000 (ONLY USED WITH FLAIL 42155.01)	1
01	03.886.01	STUD M16 X 60MM PLATED	4
01	05.281.04	FLAT WASHER 16MM PLATED	4
01	05.282.04	SPRING WASHER 16MM PLATED	4
01	05.286.04	NUT M16 PLATED	4
02	08.297.02	BUSH - PLASTIC 47 X 40 X 40	3
*03	42143.01	GUARD - FRONT ADJUSTABLE 2000	1
03	05.282.03	SPRING WASHER 12MM PLATED	2
03	05.286.03	NUT M12 PLATED	2
03	05.839.26	BOLT CUP SQ M12 X 30 (PLATED)	2
*04	42129.05	PIN - PIVOT FRONT GUARD 2000	1
04	05.201.17	TENSION PIN 3MM X 25MM PLATED	2
05	41436.02	SPACER-PIVOT FRONT GUARD	2
06	42126.02	GUARD - FLEXIBLE 2000	1
*07	41.237.01	BACKING STRIP	1
07	05.287.01	SELF-LOCKING NUT M8 PLATED	8
07	9293054	BOLT CUP SQUARE M8 X 25 (PLATE)	8
*08	03.654.54	PIN 30 DIA X 121MM	1
08	05.282.01	SPRING WASHER 8MM PLATED	1
08	05.286.01	NUT M8 PLATED	1
08	05.291.06	BOLT M8 X 55MM PLATED	1
*09	41.070.01	COVER - COWL DRIVE	1
09	05.282.01	SPRING WASHER 8MM PLATED	2
09	30.068.95	SCREW M8 X 12 8.8 GRADE Z/P	2
10	41452.01	GUARD - FLEXIBLE 2000	1
*11	41.237.01	BACKING STRIP	1
11	05.287.01	SELF-LOCKING NUT M8 PLATED	8
11	9293054	BOLT CUP SQUARE M8 X 25 (PLATE)	8
12	05.282.03	SPRING WASHER 12MM PLATED	4
12	05.286.03	NUT M12 PLATED	4
12	05.839.26	BOLT CUP SQ M12 X 30 (PLATED)	4
*12	41418.01	CLAMP - GUARD	2
74.985.03 ROLLER ASSEMBLY 1600			
*30	42144.01	BRACKET - ROLLER 150 LH	1
30	05.282.03	SPRING WASHER 12MM PLATED	3
30	05.286.03	NUT M12 PLATED	3
30	05.839.34	BOLT CUP SQ M12 X 35 (PLATED)	2
30	05.839.35	BOLT CUP SQ M12 X 40 (PLATED)	1
*31	42144.02	BRACKET - ROLLER 150 RH	1
31	05.282.03	SPRING WASHER 12MM PLATED	3
31	05.286.03	NUT M12 PLATED	3
31	05.839.34	BOLT CUP SQ M12 X 35 (PLATED)	2
31	05.839.35	BOLT CUP SQ M12 X 40 (PLATED)	1
32	05.959.05	CIRCLIP - INT 62MM DIA	4
33	42954.01	BEARING - D/ROW BALL 30MM BORE	2
34	04.164.04	SEAL-LIP 40DIA X 10MM	2
*35	41851.01	CAP - BEARING RETAINER	2
35	05.953.01	GREASE NIPPLE M6	4
*36	42955.07	ROLLER 6" DIA - 2000	1
36	05.234.01	WASHER 44.5 X 13 X 5MM PLATED	2
36	05.282.03	SPRING WASHER 12MM PLATED	2
36	05.625.10	SKT CAPSCRW M12 X 30 DOME HEAD	2

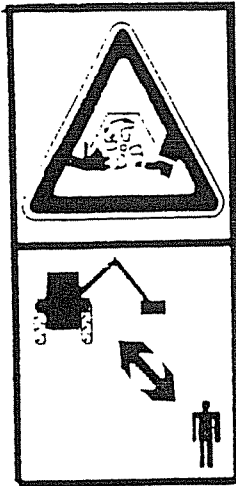
*MAIN PART IN GROUP, RELATED PARTS HAVE SAME REFERENCE NUMBER

BX364

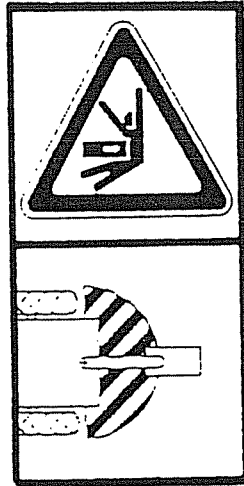


REF	PART NO	DESCRIPTION	QTY
74.994.01 BEARING ASSEMBLY			
*01	04.268.02	HOUSING-BEARING	1
01	05.264.24	SETSCREW M12 X 35MM PLATED	4
01	05.282.03	SPRING WASHER 12MM PLATED	4
01	05.286.03	NUT M12 PLATED	4
01	05.953.03	GREASE NIPPLE M10	1
02	05.959.07	CIRCLIP - INT 85MM DIA	2
03	04.163.04	BEARING-SPH.ROLLER 45MM BORE	2
04	06.909.01	SPACER-SEAL	2
05	06.910.01	COLLAR-SEAL	4
*06	41.238.01	PLATE - BEARING	1
06	05.264.23	SETSCREW M12 X 30MM PLATED	5
06	05.282.03	SPRING WASHER 12MM PLATED	5
06	05.286.03	NUT M12 PLATED	5
07	00.876.02	BEARING COVER	1
*08	41.240.01	BEARING HOUSING DRIVE	1
08	05.264.24	SETSCREW M12 X 35MM PLATED	4
08	05.282.03	SPRING WASHER 12MM PLATED	4
08	05.286.03	NUT M12 PLATED	4
*09	04.252.01	WASHER 65 O/DX17 I/DX8MM	1
09	05.264.33	SETSCREW M16 X 30MM PLATED	1
09	05.283.04	SHAKEPROOF WASHER 16MM PLATED	1
*10	41.257.01	WASHER 50 X 6	1
10	05.345.08	SOCKET CSK SCREW M16 X 2.0 X 30	1
12	43272.01	SPACER SEAL - STEPPED	2
76.119.01 ROTOR SHAFT ASSEMBLY			
30	41329.01	ROTOR SHAFT ASSY 4129901/0295901	1
31	05.775.10	BOLT - SPECIAL M14 X 94MM	54
32	05.282.08	SPRING WASHER 14MM PLATED	54
33	05.968.06	S.LOCKING NUT M14 (FINE) PLATE	54
34	09.517.01	SHACKLE - STANDARD	54
35	09.528.01	FLAIL 39 X 8	108
76.021.01 ROTOR SHAFT ASSEMBLY			
30	41458.01	ROTOR SHAFT ASSY 4129901/0295901	1
31	05.775.10	BOLT - SPECIAL M14 X 94MM	54
32	05.282.08	SPRING WASHER 14MM PLATED	54
33	05.968.06	S.LOCKING NUT M14 (FINE) PLATE	54
36	02.959.01	FLAIL - FORGED	54
37	09.518.01	SHACKLE - LONG	54
43	41725.01	SPACER 1"O/D X 16 - 22	54
76.021.02 ROTOR SHAFT ASSEMBLY			
30	41329.01	ROTOR SHAFT ASSY 4129901/4215501	1
31	05.775.10	BOLT - SPECIAL M14 X 94MM	54
33	05.968.06	S.LOCKING NUT M14 (FINE) PLATE	54
37	05.282.04	SPRING WASHER 16MM PLATED*	54
40	09.894.01	COLLAR - PIVOT	108
48	42155.01	FLAIL - SINGLE EDGE (PRO-FLAIL)	54

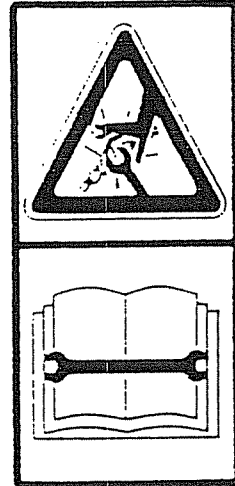
*MAIN PART IN GROUP, RELATED PARTS HAVE SAME REFERENCE NUMBER



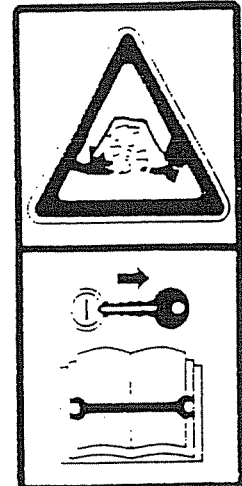
09.821.05



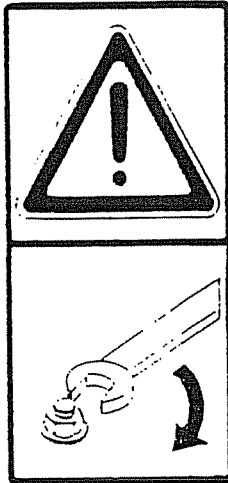
09.821.06



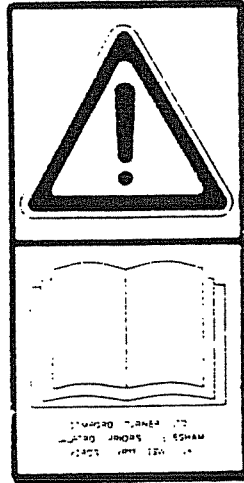
09.821.07



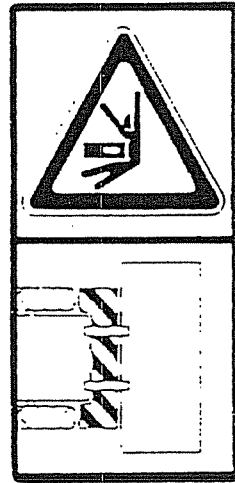
09.821.08



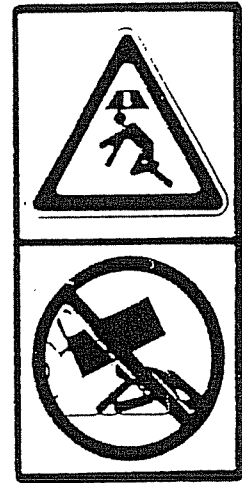
09.821.10



09.821.01



09.821.16



09.821.17



09.821.18

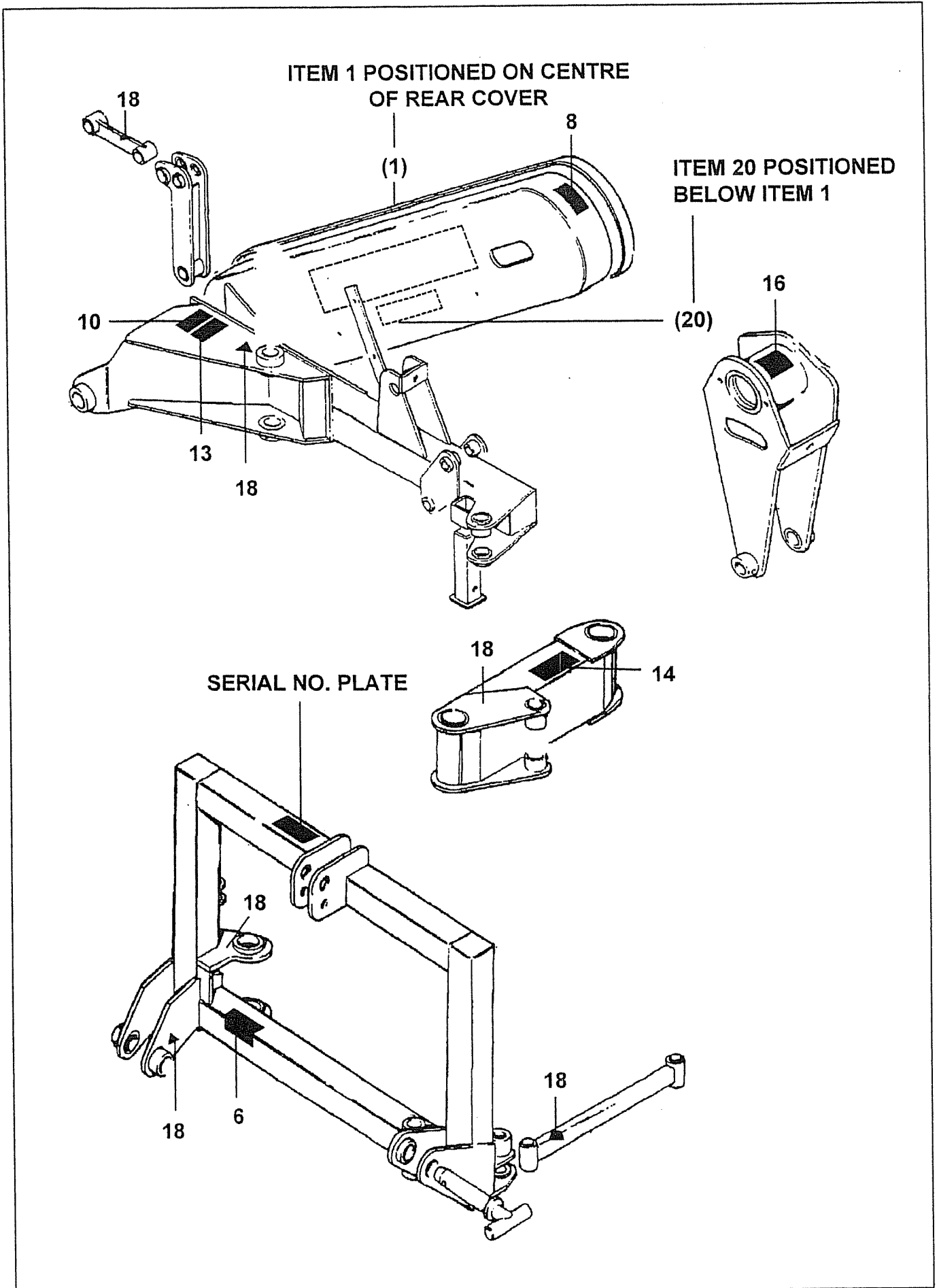


09.821.20

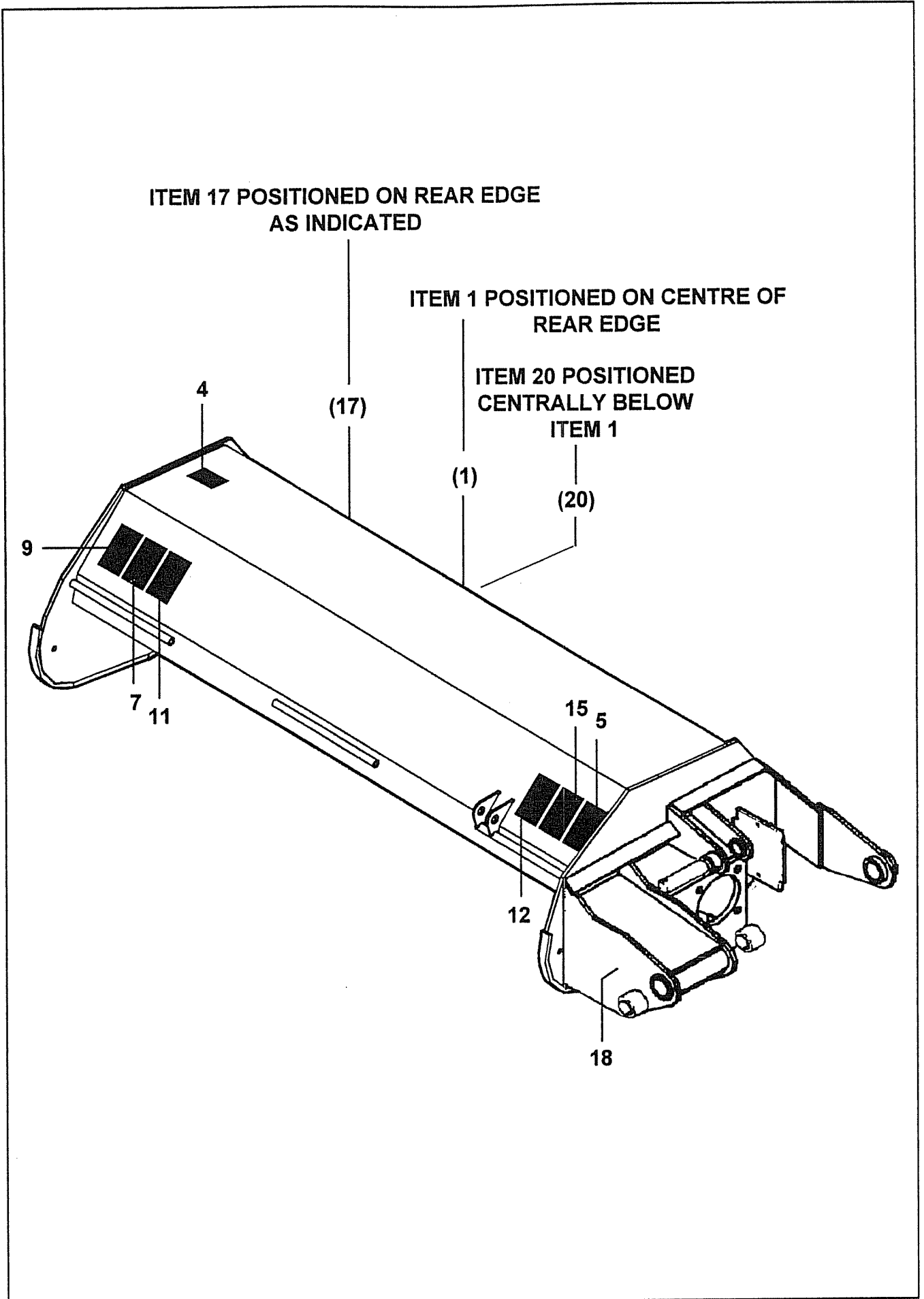


09.821.21

REF	PART NO	DESCRIPTION	QTY
76.023.01 DECALS			
01	09.837.01	DECAL - BOMFORD	2
04	09.843.04	DECAL - LIFT POINT 750 KG	1
05	09.821.21	DECAL - FALLING WING	1
06	09.821.20	DECAL - SHAFT ENTANGLEMENT	1
07	09.821.18	DECAL - THROWN DEBRIS	1
08	09.821.17	DECAL - UNSUPPORTED MACHINE	1
09	09.821.16	DECAL - KEEP OUT ZONE	1
10	09.821.01	DECAL - READ INSTRUCTION BOOK	1
11	09.821.10	DECAL - KEEP NUTS TIGHT	1
12	09.821.08	DECAL - SAFEWORKING ON HEAD	1
13	09.821.07	DECAL - RESIDUAL PRESSURE	1
14	09.821.06	DECAL - SLEW DANGER	1
15	09.821.05	DECAL - CUTTING HEAD DANGER	1
16	09.811.05	DECAL - MAX PTO SPEED 1000	1
17	09.810.02	DECAL - GREASE (40 HOURS)	4
18	09.810.01	DECAL - GREASE (8 HOURS)	9
19	09.852.01	DECAL - ARM FLOAT	-
20	09.980.32	DECAL - BX364	2

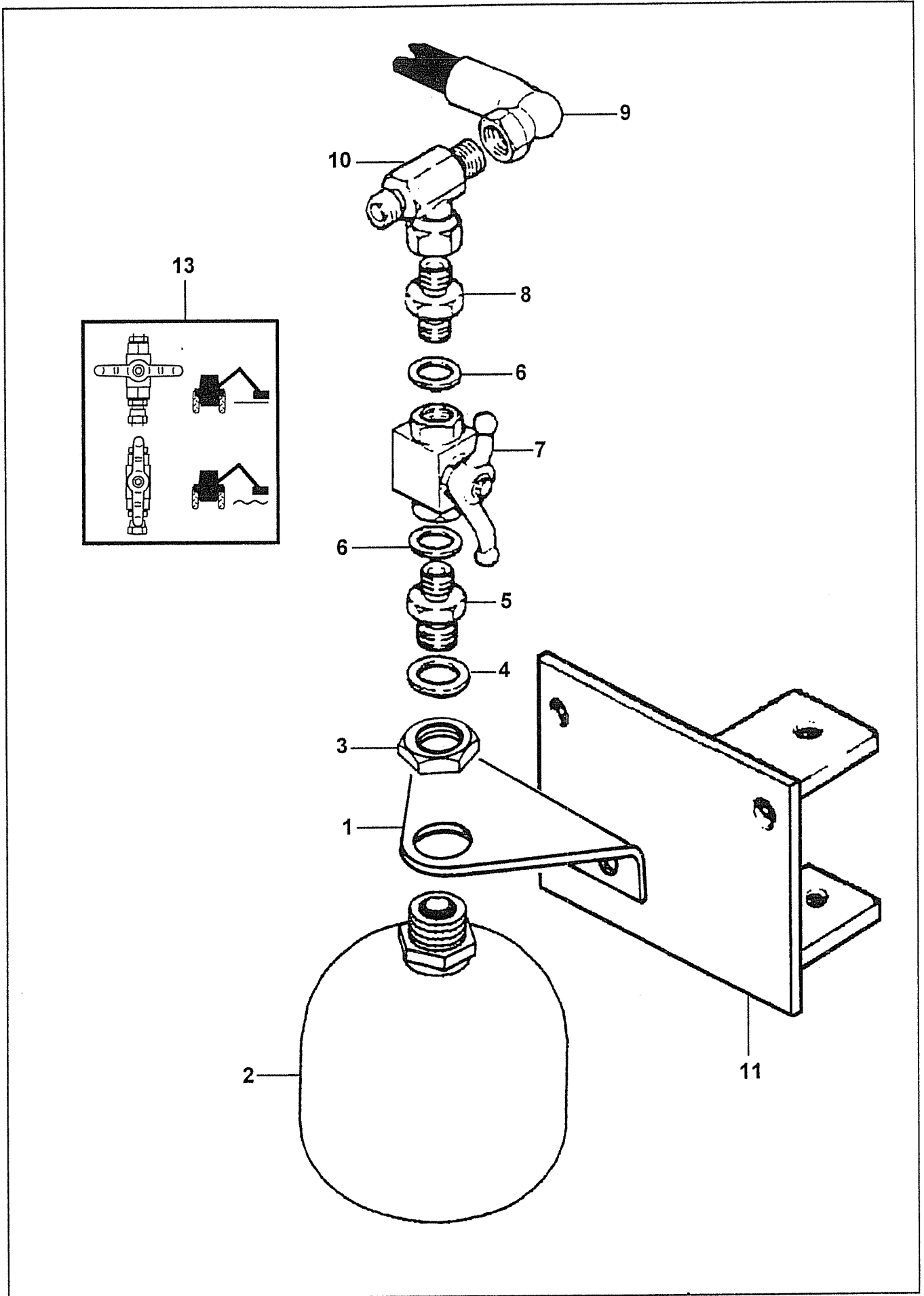


REF	PART NO	DESCRIPTION	QTY
76.023.01 DECALS			
01	09.837.01	DECAL - BOMFORD	2
04	09.843.04	DECAL - LIFT POINT 750 KG	1
05	09.821.21	DECAL - FALLING WING	1
06	09.821.20	DECAL - SHAFT ENTANGLEMENT	1
07	09.821.18	DECAL - THROWN DEBRIS	1
08	09.821.17	DECAL - UNSUPPORTED MACHINE	1
09	09.821.16	DECAL - KEEP OUT ZONE	1
10	09.821.01	DECAL - READ INSTRUCTION BOOK	1
11	09.821.10	DECAL - KEEP NUTS TIGHT	1
12	09.821.08	DECAL - SAFEWORKING ON HEAD	1
13	09.821.07	DECAL - RESIDUAL PRESSURE	1
14	09.821.06	DECAL - SLEW DANGER	1
15	09.821.05	DECAL - CUTTING HEAD DANGER	1
16	09.811.05	DECAL - MAX PTO SPEED 1000	1
17	09.810.02	DECAL - GREASE (40 HOURS)	4
18	09.810.01	DECAL - GREASE (8 HOURS)	9
19	09.852.01	DECAL - ARM FLOAT	-
20	09.980.32	DECAL - BX364	2



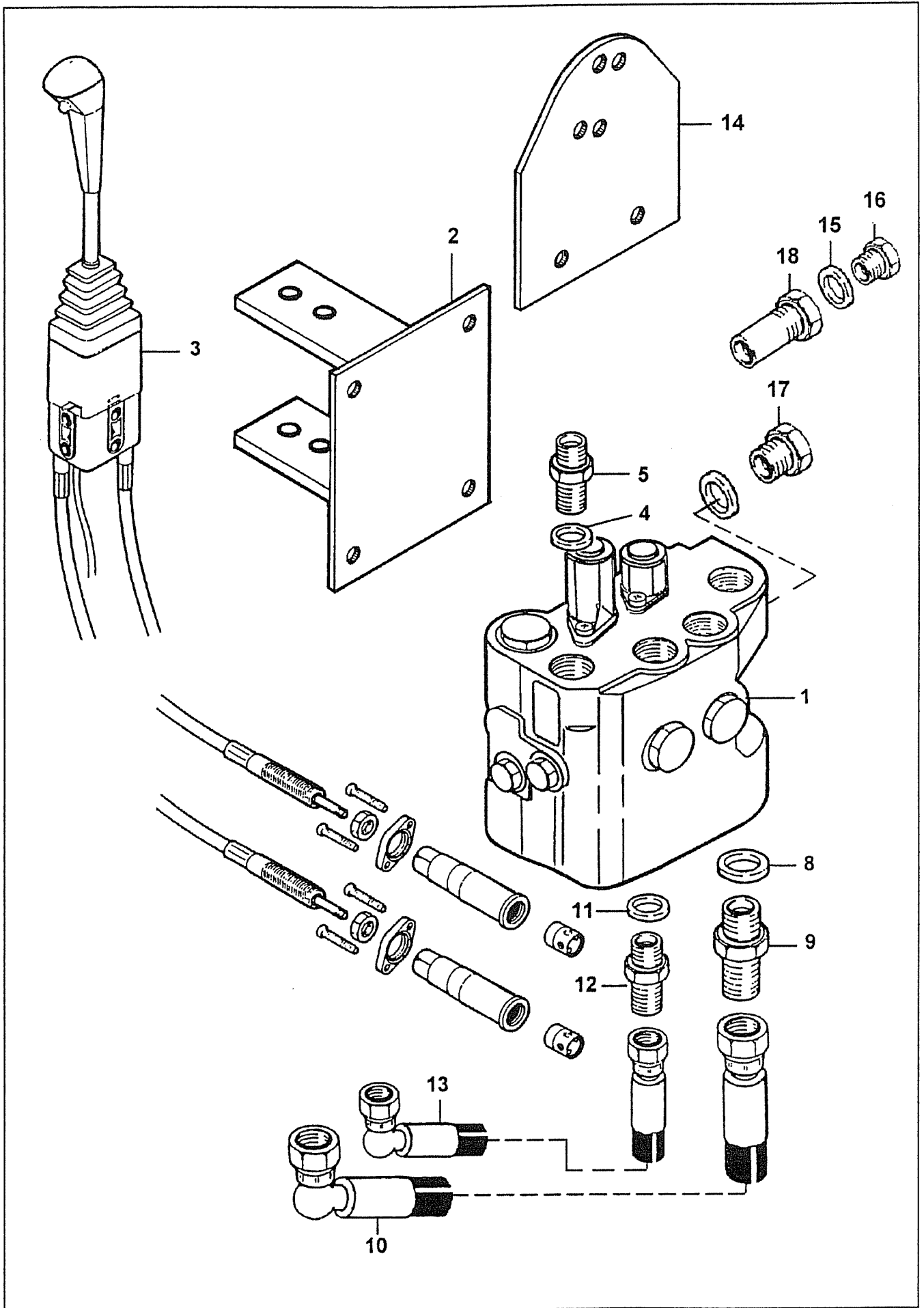
REF	PART NO	DESCRIPTION	QTY
76.023.01 DECALS			
01	09.837.01	DECAL - BOMFORD	2
04	09.843.04	DECAL - LIFT POINT 750 KG	1
05	09.821.21	DECAL - FALLING WING	1
06	09.821.20	DECAL - SHAFT ENTANGLEMENT	1
07	09.821.18	DECAL - THROWN DEBRIS	1
08	09.821.17	DECAL - UNSUPPORTED MACHINE	1
09	09.821.16	DECAL - KEEP OUT ZONE	1
10	09.821.01	DECAL - READ INSTRUCTION BOOK	1
11	09.821.10	DECAL - KEEP NUTS TIGHT	1
12	09.821.08	DECAL - SAFEWORKING ON HEAD	1
13	09.821.07	DECAL - RESIDUAL PRESSURE	1
14	09.821.06	DECAL - SLEW DANGER	1
15	09.821.05	DECAL - CUTTING HEAD DANGER	1
16	09.811.05	DECAL - MAX PTO SPEED 1000	1
17	09.810.02	DECAL - GREASE (40 HOURS)	4
18	09.810.01	DECAL - GREASE (8 HOURS)	9
19	09.852.01	DECAL - ARM FLOAT	-
20	09.980.32	DECAL - BX364	2

**OPTIONAL
EXTRAS**



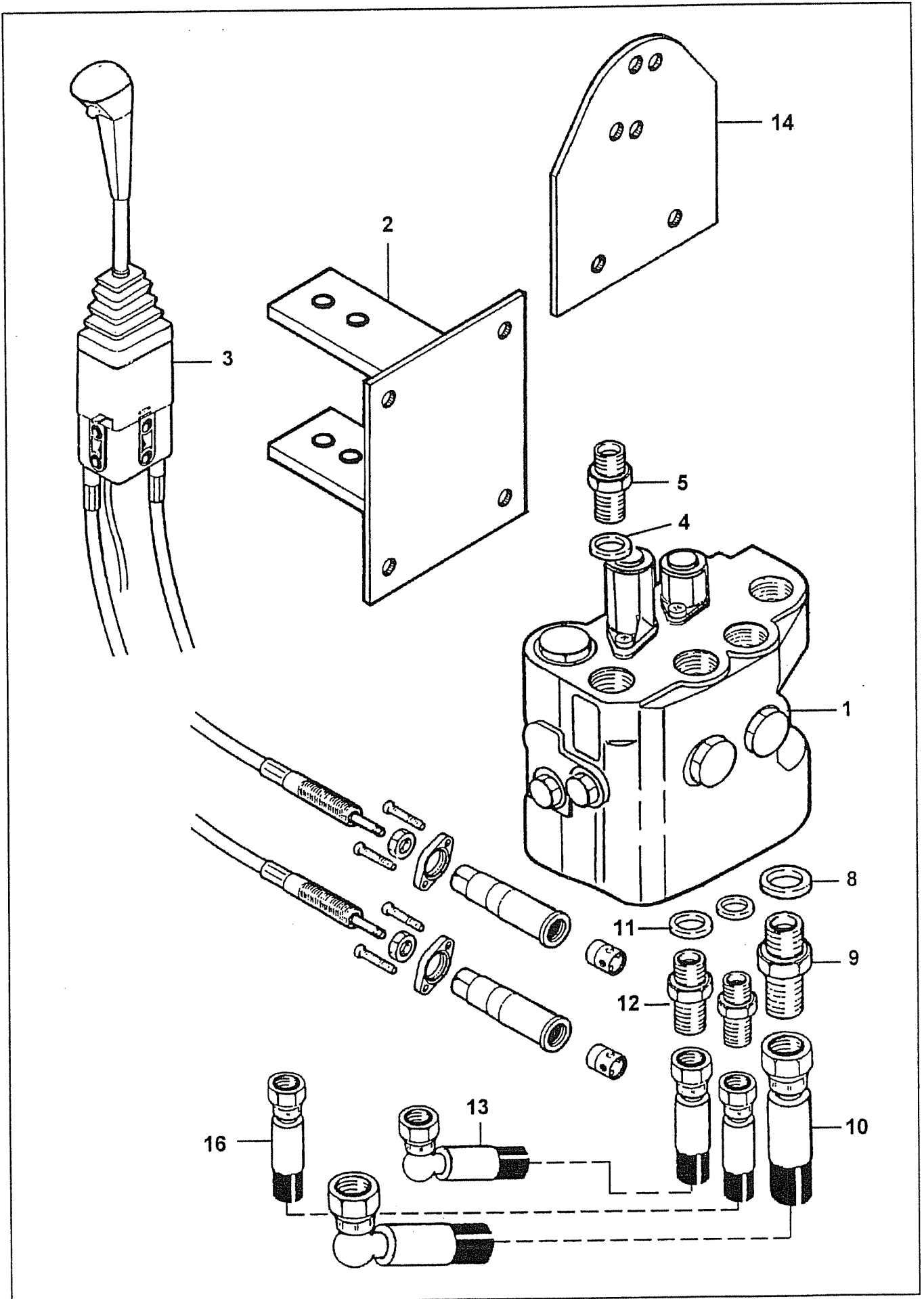
REF	PART NO	DESCRIPTION	QTY
72.657.01 B313S ACCUMULATOR KIT			
*01	43239.01	BRACKET	1
01	05.264.13	SETSCREW M10 X 30MM PLATED	2
01	05.282.02	SPRING WASHER 10MM PLATED	2
01	05.286.02	NUT M10 PLATED	2
02	41451.02	ACCUMULATOR	1
03	8126035	M33 NUT, BULKHEAD	1
04	05.290.05	BONDED SEAL 1/2"BSP	1
05	05.123.01	ADAPTOR 1/2" BSP X 3/8" BSP	1
06	05.290.04	BONDED SEAL 3/8"BSP	2
07	08.200.01	VALVE - ISOLATING 3/8" BSP	1
08	01.099.01	ADAPTOR 3/8BSP X 1/4BSP	1
09	10.002.22	HOSE 1/4"BSP ST X 90 S.SEAL 1200	1
10	04.056.10	ADAPTOR - TEE 1/4"BSP F/M/M	1
*11	42815.01	BRACKET - ACCUMUATOR	1
11	05.282.02	SPRING WASHER 10MM PLATED	1
11	05.286.02	NUT M10 PLATED	1
11	05.292.15	BOLT M10 X 120MM PLATED	1
12	42815.02	SPACER	1
13	09.852.01	DECAL - ARM FLOAT	1

*MAIN PART IN GROUP, RELATED PARTS HAVE SAME REFERENCE NUMBER



REF	PART NO	DESCRIPTION	QTY
76.436.01 VALVE ASSY OC MONOBLOC			
01	41.101.01	CONTROL VALVE OC MONOBLOCK	1
*02	43027.01	BRACKET VALVE MOUNTING	1
02	42815.02	SPACER	1
02	05.264.01	SETSCREW M8 X 20MM PLATED	4
02	05.282.02	SPRING WASHER 10MM PLATED	1
02	05.286.02	NUT M10 PLATED	1
02	05.292.15	BOLT M10 X 120MM PLATED	1
03	41.184.04	CABLE END SERVICE KIT	-
03	41.184.07	CABLE ASSY - DUAL AXIS NON ELEC	1
04	05.290.05	BONDED SEAL 1/2"BSP	4
*05	01.099.03	ADAPTOR 1/2BSP X 1/4BSP	4
05	05.300.01	PLUG-PLASTIC 1/4"BSP FEMALE	4
06	05.290.05	BONDED SEAL 1/2"BSP	5
08	05.290.06	BONDED SEAL 3/4"BSP	1
09	05.377.01	ADAPTOR 3/4"BSP X 3/4"BSP	1
10	10.010.32	HOSE 3/4"BSP ST X 90 S.SEAL 2200	1
11	05.290.05	BONDED SEAL 1/2"BSP	1
*12	05.122.01	ADAPTOR 1/2" BSP X 1/2" BSP	1
12	05.300.03	PLUG-PLASTIC 1/2"BSP FEMALE	1
13	10.006.32	HOSE 1/2"BSP ST X 90 S.SEAL 2200	1
14	05.282.01	SPRING WASHER 8MM PLATED	2
14	05.286.01	NUT M8 PLATED	2
14	05.292.01	BOLT M8 X 80MM PLATED	2
*14	42294.01	PLATE JOYSTICK MOUNTING	1
15	05.290.05	BONDED SEAL 1/2"BSP	1
17	05.433.06	PLUG 1/2"BSP PLATED	1
18	41.101.05	ADAPTOR CARRY-OVER FOR KM81	1

*MAIN PART IN GROUP, RELATED PARTS HAVE SAME REFERENCE NUMBER



REF	PART NO	DESCRIPTION	QTY
76.436.02 VALVE ASSY LOAD SENSING MONOBLOC			
*01	41.101.02	CONTROL VALVE - LS MONOBLOCK	1
01	05.290.05	BONDED SEAL 1/2"BSP	1
01	05.433.06	PLUG 1/2"BSP PLATED	1
*02	43027.01	BRACKET VALVE MOUNTING	1
02	42815.02	SPACER	1
02	05.264.01	SETSCREW M8 X 20MM PLATED	4
02	05.282.02	SPRING WASHER 10MM PLATED	1
02	05.286.02	NUT M10 PLATED	1
02	05.292.15	BOLT M10 X 120MM PLATED	1
*03	41.184.07	CABLE ASSY - DUAL AXIS NONELEC	1
03	41.184.04	CABLE END SERVICE KIT	-
04	05.290.05	BONDED SEAL 1/2"BSP	4
*05	01.099.03	ADAPTOR 1/2 BSP X 1/4BSP	4
05	05.300.01	PLUG-PLASTIC 1/4"BSP FEMALE	4
06	05.290.05	BONDED SEAL 1/2"BSP	5
08	05.290.06	BONDED SEAL 3/4"BSP	1
09	05.377.01	ADAPTOR 3/4"BSP X 3/4"BSP	1
10	10.010.32	HOSE 3/4"BSP ST X 90 S.SEAL 2200	1
11	05.290.05	BONDED SEAL 1/2"BSP	1
12	05.122.01	ADAPTOR 1/2" BSP X 1/2" BSP	1
12	05.300.03	PLUG-PLASTIC 1/2"BSP FEMALE	1
13	10.006.32	HOSE 1/2"BSP STX90 S.SEAL 2200	1
*14	42294.01	PLATE JOYSTICK MOUNTING	1
14	05.282.01	SPRING WASHER 8MM PLATED	2
14	05.286.01	NUT M8 PLATED	2
14	05.292.01	BOLT M8 X 80MM PLATED	2
15	30.052.76	1/4" X 1/8" ADAPTOR M/M BSP	1
16	10.001.32	HOSE 1/4"BSP ST X ST S.SEAL 2200	1
17	05.313.01	BLANKING PLUG - 3/4" BSP	1

*MAIN PART IN GROUP, RELATED PARTS HAVE SAME REFERENCE NUMBER