

PM1760

B83-83

BSP

PARTS MANUAL

ISSUE 3

IMPORTANT

NOTE HERE THE SERIAL NUMBER OF YOUR MACHINE AND ALWAYS QUOTE IT IN ANY COMMUNICATION WITH US OR YOUR DEALER. THIS IS PARTICULARLY IMPORTANT WHEN ORDERING SPARES. REMEMBER TO INCLUDE ALL NUMBERS AND LETTERS.

MACHINE SERIAL NUMBERS _____

THE INFORMATION GIVEN THROUGHOUT THIS MANUAL IS CORRECT AT THE TIME OF PUBLICATION. HOWEVER, IN THE COURSE OF CONSTANT DEVELOPMENT OF BOMFORD TURNER MACHINES, CHANGES IN SPECIFICATION ARE INEVITABLE. SHOULD YOU FIND THE INFORMATION GIVEN IN THIS BOOK TO BE AT VARIANCE WITH THE MACHINE IN YOUR POSSESSION, YOU ARE ADVISED TO CONTACT THE BOMFORD TURNER SERVICE DEPARTMENT WHERE UP-TO-DATE INFORMATION WILL BE PROVIDED.

THE MANUAL CAN CONTAIN STANDARD AND OPTIONAL FEATURES AND IS NOT TO BE USED AS A MACHINE SPECIFICATION.

THE MACHINE HAS BEEN TESTED AND IS CONSIDERED SAFE IF CAREFULLY USED. ENSURE YOUR OPERATOR IS PROPERLY TRAINED IN ITS USE AND MAINTENANCE.

IMPORTANT

NOTEZ ICI LES NUMEROS DE SERIE DE VOTRE MACHINE ET MENTIONNEZ LES DANS TOUTE COMMUNICATION AVEC NOS SERVICES OU VOTRE REVENDEUR. CECI EST IMPORTANT POUR LA COMMANDE DE PIECES DETACHEES. PENSEZ A NOTER TOUS LES NUMEROS ET TOUTES LES LETTERS.

NUMEROS DE SERIE DE LA MACHINE _____

LES INFORMATIONS DONNEES DANS CE MANUEL SONT CORRECTES CEPENDANT, DU FAIT DE DEVELOPPEMENT CONSTANT DES MACHINES BOMFORD TURNER.

CHANGEMENTS DANS LES CARACTERISTIQUES SONT INEVITABLES.

SI VOUS TROUVEZ QUE LES INFORMATIONS DONNEES NE CORRESPONDENT PAS A VOTRE MACHINE VEUILLEZ CONTACTER LE SERVICE DES REPARATIONS OU DES INFORMATIONS PLUS RECENTES VOUS SERONT DONNEES. CE MANUEL PEUT MONTRER DES CARACTERISTIQUES OPTIONNELLES ET NE PEUT PAS ETRE CONSIDERE COMME SPECIFICATION DE LA MACHINE.

CETTE MACHINE A ETE TESTEE, ET ELLE EST CONSIDEREE COMME FIABLE A CONDITION D'UNE BONNE UTILISATION. ASSUREZ-VOUS QUE VOTRE OPERATEUR EST QUALIFIE EN CE QUI CONCERNE L'UTILISATION DE LA MACHINE AINSI QUE SON ENTRETIEN.

WICHTIG

TRAGEN SIE HIER DIE SERIENNUMMERN IHRER MASCHINE EIN UND GEBEN SIE DIESE IMMER AN, WENN SIE SICH AN UNS ODER IHREN HÄNDLER WENDEN. DAS IST BESONDERS BEI ERSATZTEILBESTELLUNGEN WICHTIG. VERGESSEN SIE NICHT, ALLE ZAHLEN UND BUCHSTABEN ZU NOTIEREN.

SERIENNUMMERN DER MASCHINE _____

DIE ANGABEN IN DIESEM HANDBUCH SIND BEI VERÖFFENTLICHUNG KORREKT. AUFGRUND DER KONSTANTEN WEITERENTWICKLUNG VON BOMFORD TURNER MASCHINEN SIND JEDOCH ÄNDERUNGEN IN DER SPEZIFIKATION UNVERMEIDLICH. WENN DIE INFORMATION IN DIESEM HANDBUCH NICHT MIT IHRER MASCHINE ÜBEREINSTIMMT, NEHMEN SIE BITTE KONTAKT MIT DER BOMFORD TURNER KUNDENDIENSTABTEILUNG AUF, DIE IHNEN GERNE DIE AKTUELLEN INFORMATION ZUKOMMEN LÄSST.

DAS HANDBUCH KANN SOWOHL BESCHREIBUNGEN FÜR DIE STANDARD AUSFÜHRUNG ALS AUCH FÜR ZUBEHÖR ENTHALTEN UND IST NICHT ALS MASCHINENSPEZIFIKATION ZU VERWENDET.

DIE MASCHINE IST GETESTET UND BEI SACHGEMÄSSEM BETRIEB ALS SICHER BEFUNDEN WORDEN. SORGEN SIE DAFÜR, DASS IHR BEDIENPERSONAL IN ANWENDUNG UND WARTUNG RICHTIG GESCHULT WIRD.

B83-83 LONG REACH ARM MOWER

PAGE AND ILLUSTRATION NUMBERS ARE USED ONLY FOR REFERENCE PURPOSES AND SHOULD NOT BE USED FOR ORDERING SPARE PARTS. PLEASE ENSURE THE CORRECT PART NUMBER AND DESCRIPTION IS GIVEN WHEN ORDERING SPARE PARTS.

FOR MACHINES WITH SERIAL NUMBERS COMMENCING FROM ..2314H...

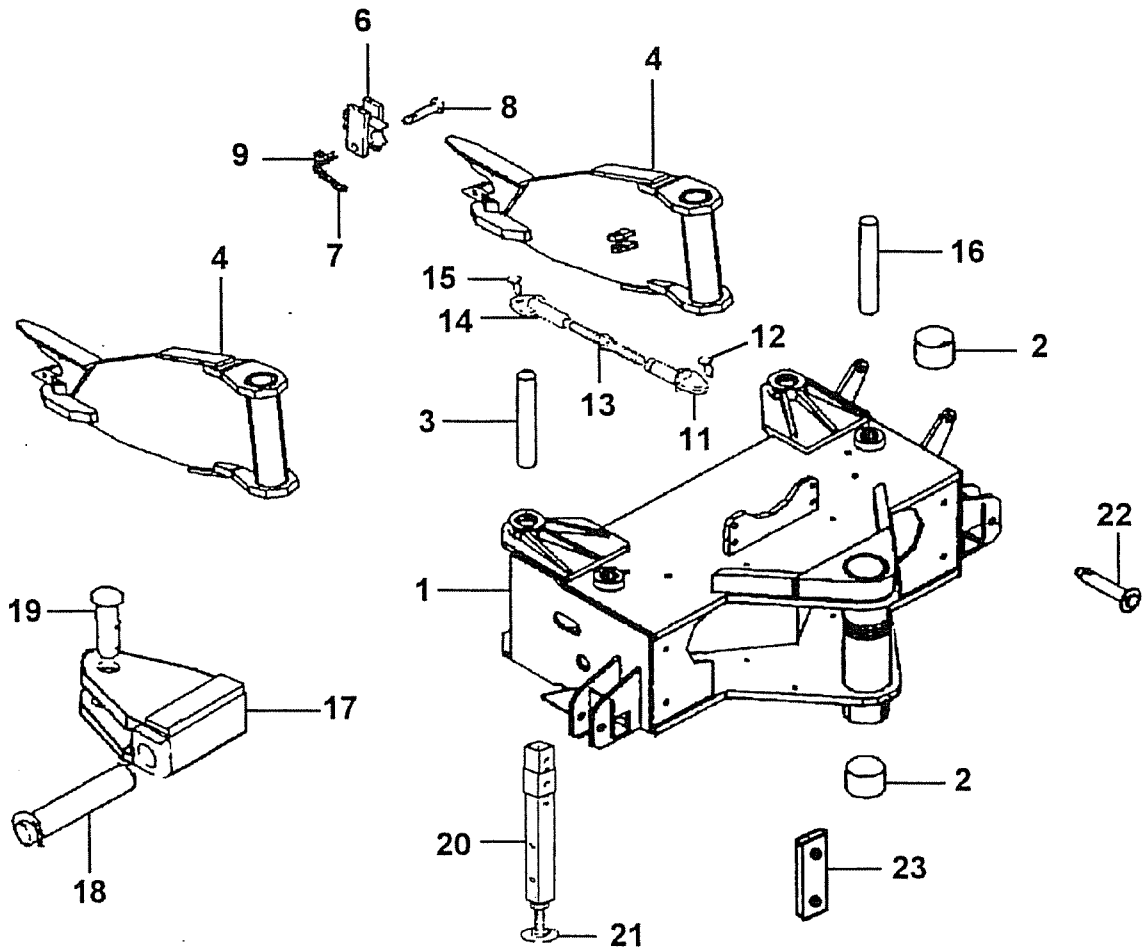
PAGE NO.	TITLE
2 - 1 TO 2 - 2	MAINFRAME ASSEMBLY
3 - 1 TO 3 - 2	KINGPOST ASSEMBLY
4 - 1 TO 4 - 2	TANK ASSEMBLY
5 - 1 TO 5 - 2	FIRST ARM ASSEMBLY
6 - 1 TO 6 - 4	INNER TELESCOPIC ARM ASSEMBLY OUTER TELESCOPIC ARM ASSEMBLY
7 - 1 TO 7 - 4	TURNTABLE ASSEMBLY TURNTABLE ASSEMBLY (MAY 1998)
8 - 1 TO 8 - 5	PUMP ASSEMBLIES GEARBOX AND PTO SHAFT ASSEMBLY
9 - 1 TO 9 - 2	CONTROL VALVE ASSEMBLY
10 - 1 TO 10 - 2	REMOTE CONTROL ASSEMBLY
11 - 1 TO 11 - 2	HYDRAULIC CIRCUIT - FIRST RAM/ACCUMULATOR
12 - 1 TO 12 - 2	HYDRAULIC CIRCUIT - SECOND RAM
13 - 1 TO 13 - 2	COWL RAM, TURNTABLE RAM, DIVERter VALVE
14 - 1 TO 14 - 2	HYDRAULIC CIRCUIT - TELESCOPIC RAM
15 - 1 TO 15 - 3	HYDRAULIC CIRCUIT - SLEW RAMS/CAM VALVES
16 - 1 TO 16 - 2	OIL COOLER ASSEMBLY
17 - 1 TO 17 - 4	DECALS

IMPORTANT

THIS MACHINE IS FOR VEGETATION CONTROL AND
MUST NOT BE USED FOR ANY OTHER PURPOSE

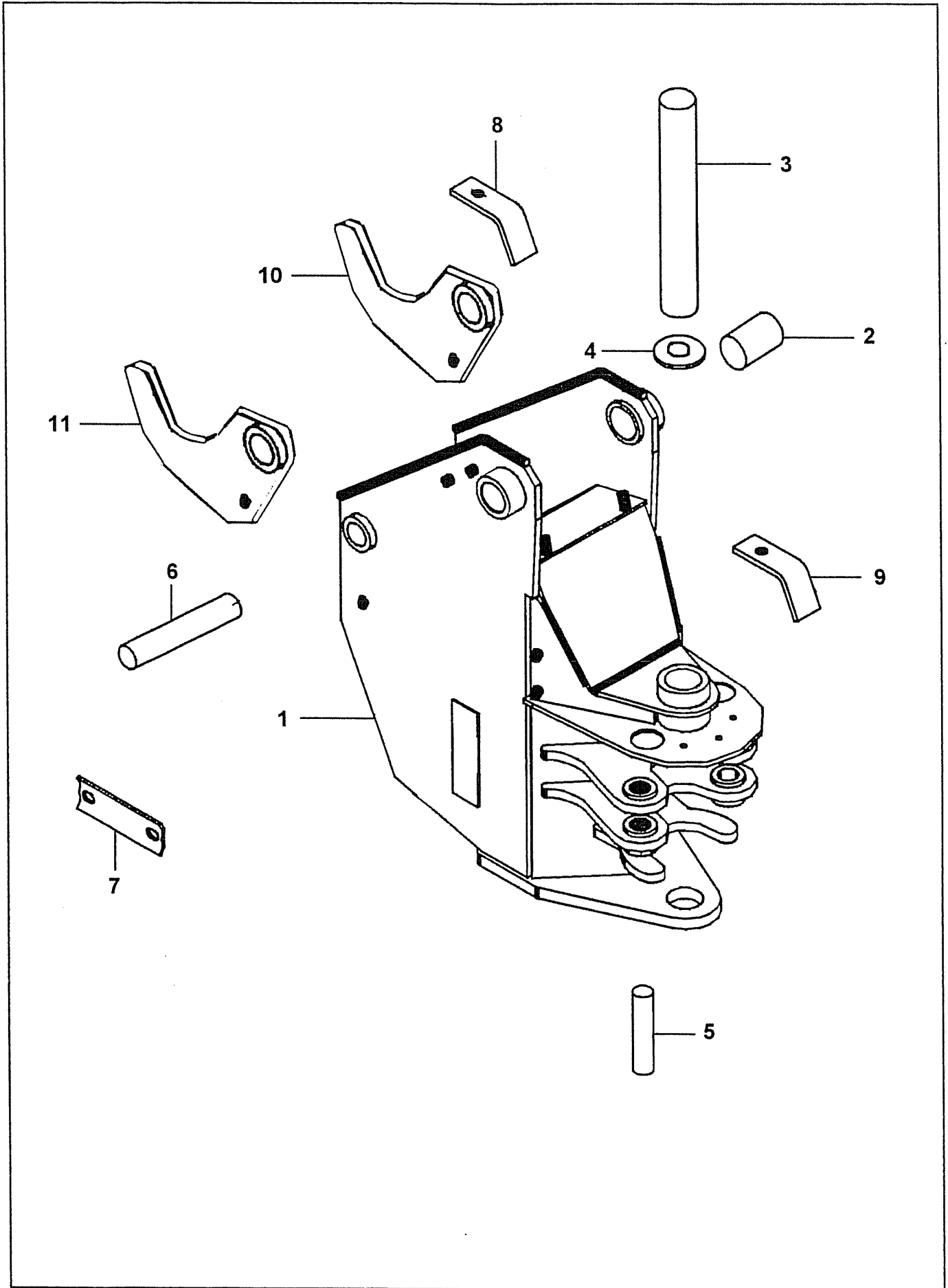
IT IS POTENTIALLY HAZARDOUS TO FIT OR USE
ANY PARTS OTHER THAN GENUINE BOMFORD TURNER PARTS

THE COMPANY DISCLAIMS ALL LIABILITY FOR THE
CONSEQUENCES OF SUCH USE, WHICH IN ADDITION
VOIDS THE MACHINE WARRANTY



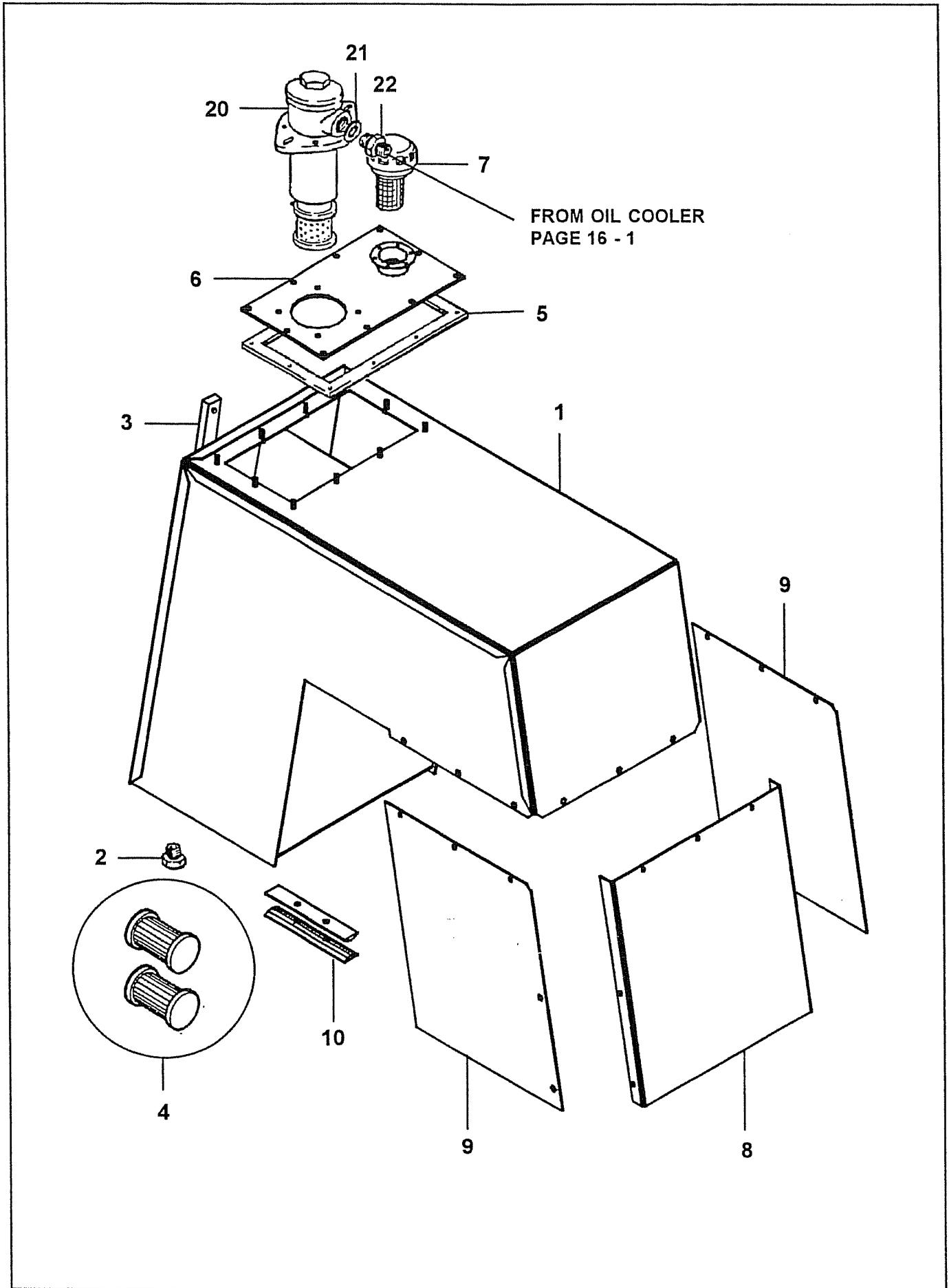
REF	PART NO.	DESCRIPTION	QTY
76.192.01 MAINFRAME ASSEMBLY			
01	05.227.01	HAMMER DRIVE SCREW NO.6 X 3/8"	2
01	05.774.06	SERIAL NO.PLATE BOMFORD TURNER	1
01	05.953.03	GREASE NIPPLE M10	2
*01	41487.01	MAINFRAME	1
02	08.297.07	PLASTIC BUSH 80 X 70 - 70	2
*03	03.657.29	PIN 50DIA X 387	2
03	05.287.03	SELF-LOCKING NUT M12 PLATED	2
03	05.292.23	BOLT M12 X 100MM PLATED	2
04	41729.01	MOUNTING FORK	2
06	03.719.01	CATCH PLATE	2
07	03.255.05	CHAIN-RING ASSY	2
08	03.650.01	PIN 12 DIA X 68	2
09	05.964.01	SPRING COTTER 3.6MM DIA	2
11	03.805.01	BRACKET-TIE ROD L.H.	2
*12	03.652.03	PIN 20 DIA X 79	2
12	05.284.03	SPLIT COTTER 3.2MM X 36MM	2
*13	03.804.01	TURNBUCKLE PLATED	2
13	05.286.06	NUT M24 PLATED	2
14	03.806.01	BRACKET-TIE ROD R.H.	2
*15	03.652.02	PIN 20 DIA X 53	2
15	05.284.03	SPLIT COTTER 3.2MM X 36MM	2
*16	03.656.76	PIN 40DIA X 338	2
16	05.287.02	SELF-LOCKING NUT M10 PLATED	2
16	05.292.11	BOLT M10 X 80MM PLATED	2
17	03.644.01	YOKE BRACKET	1
*18	03.654.01	PIN 30 DIA X 198	1
18	05.284.14	SPLIT COTTER 5MM X 40MM	1
18	05.953.03	GREASE NIPPLE M10	1
*19	03.654.02	PIN 30 DIA X 94	1
19	05.284.16	SPLIT COTTER 5MM X 50MM	1
19	05.953.03	GREASE NIPPLE M10	1
20	08.651.01	STAND - PARKING	2
21	30.141.34	ADJUSTER FOOT	2
22	00.372.01	LINCH PIN	2
*22	03.652.22	PIN 20DIA X 82	2
23	05.287.03	SELF-LOCKING NUT M12 PLATED	4
23	05.291.24	BOLT M12 X 45MM PLATED	4
*23	41499.01	STOP PAD	2
23	41651.01	SHIM 3MM	4

*MAIN PART IN GROUP, RELATED PARTS HAVE SAME REFERENCE NUMBER



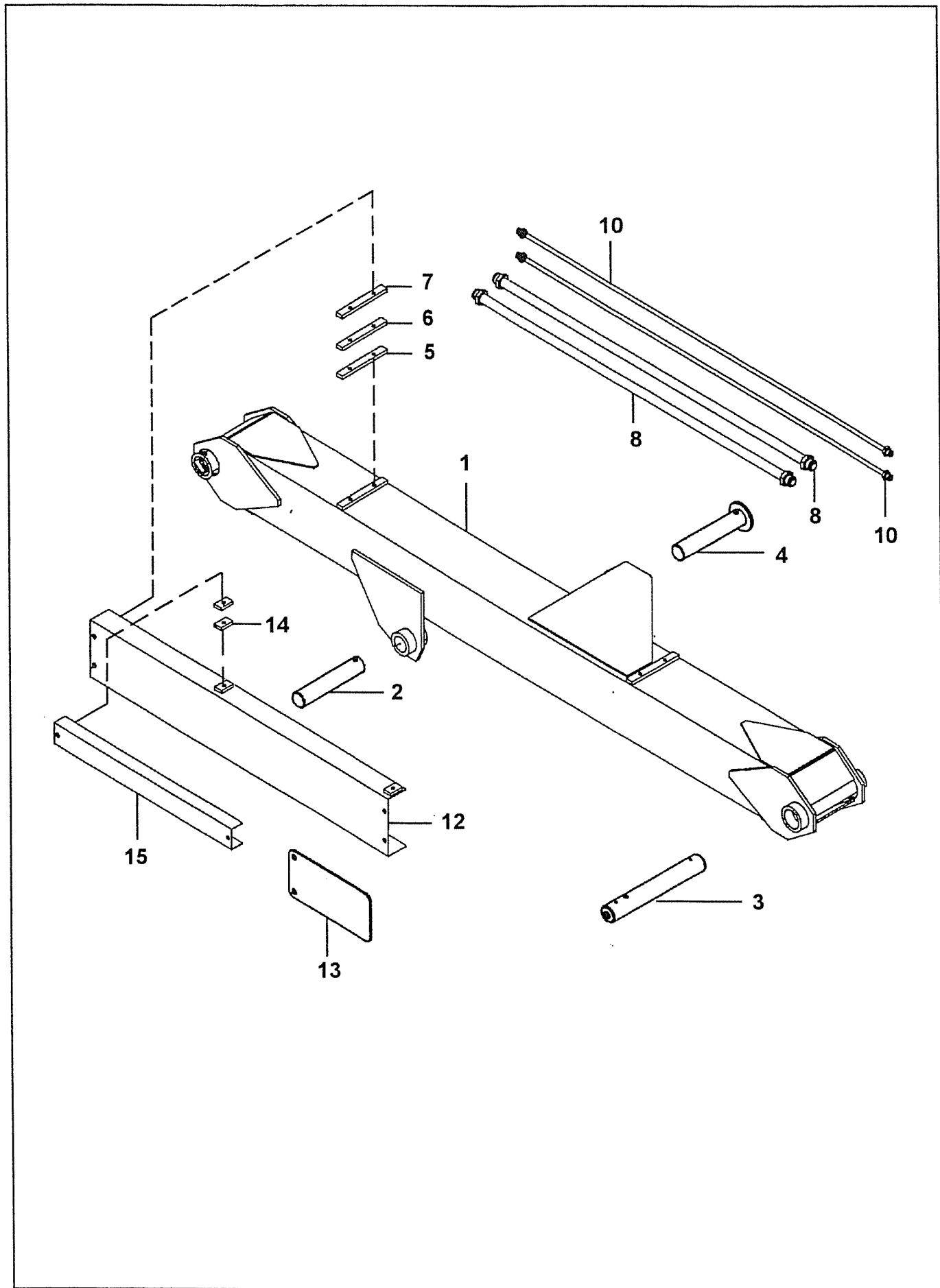
REF	PART NO.	DESCRIPTION	QTY
76.191.01 KINGPOST ASSEMBLY			
01	41506.01	KINGPOST	1
02	08.297.06	PLASTIC BUSH 70 X 60 - 60	2
*03	03.658.06	PIN 70DIA X 554	1
03	05.287.03	SELF-LOCKING NUT M12 PLATED	1
03	05.292.25	BOLT M12 X 120MM PLATED	1
04	08.541.01	THRUST WASHER	1
*05	03.656.47	PIN - DIA 40 X 148	2
05	05.287.02	SELF-LOCKING NUT M10 PLATED	2
05	05.292.11	BOLT M10 X 80MM PLATED	2
05	05.953.01	GREASE NIPPLE M6	2
*06	03.657.32	PIN 50DIA X 370	1
06	05.287.03	SELF-LOCKING NUT M12 PLATED	1
06	05.292.22	BOLT M12 X 90MM PLATED	1
07	05.264.11	SETSCREW M10 X 20MM PLATED	8
07	05.281.02	FLAT WASHER 10MM PLATED FORM C	8
07	05.282.02	SPRING WASHER 10MM PLATED	8
*07	41621.01	CLAMP - PLATE	4
08	05.264.13	SETSCREW M10 X 30MM PLATED	2
08	05.282.02	SPRING WASHER 10MM PLATED	2
*08	41653.01	CLAMP - PLATE HOSE	2
09	04.282.10	STUD - M10 X 100	2
09	05.282.02	SPRING WASHER 10MM PLATED	2
09	05.286.02	NUT M10 PLATED	2
*09	42817.01	BRACKET - HOSE	2
10	05.281.05	FLAT WASHER 20MM PLATED	2
10	05.287.05	SELF-LOCKING NUT M20 PLATED	1
10	05.291.47	BOLT M20 X 65 PLATED	1
*10	41750.01	BRACKET - TRANSPORT LH	1
11	05.281.05	FLAT WASHER 20MM PLATED	2
11	05.287.05	SELF-LOCKING NUT M20 PLATED	1
11	05.291.47	BOLT M20 X 65 PLATED	1
*11	41750.02	BRACKET - TRANSPORT RH	1

*MAIN PART IN GROUP, RELATED PARTS HAVE SAME REFERENCE NUMBER



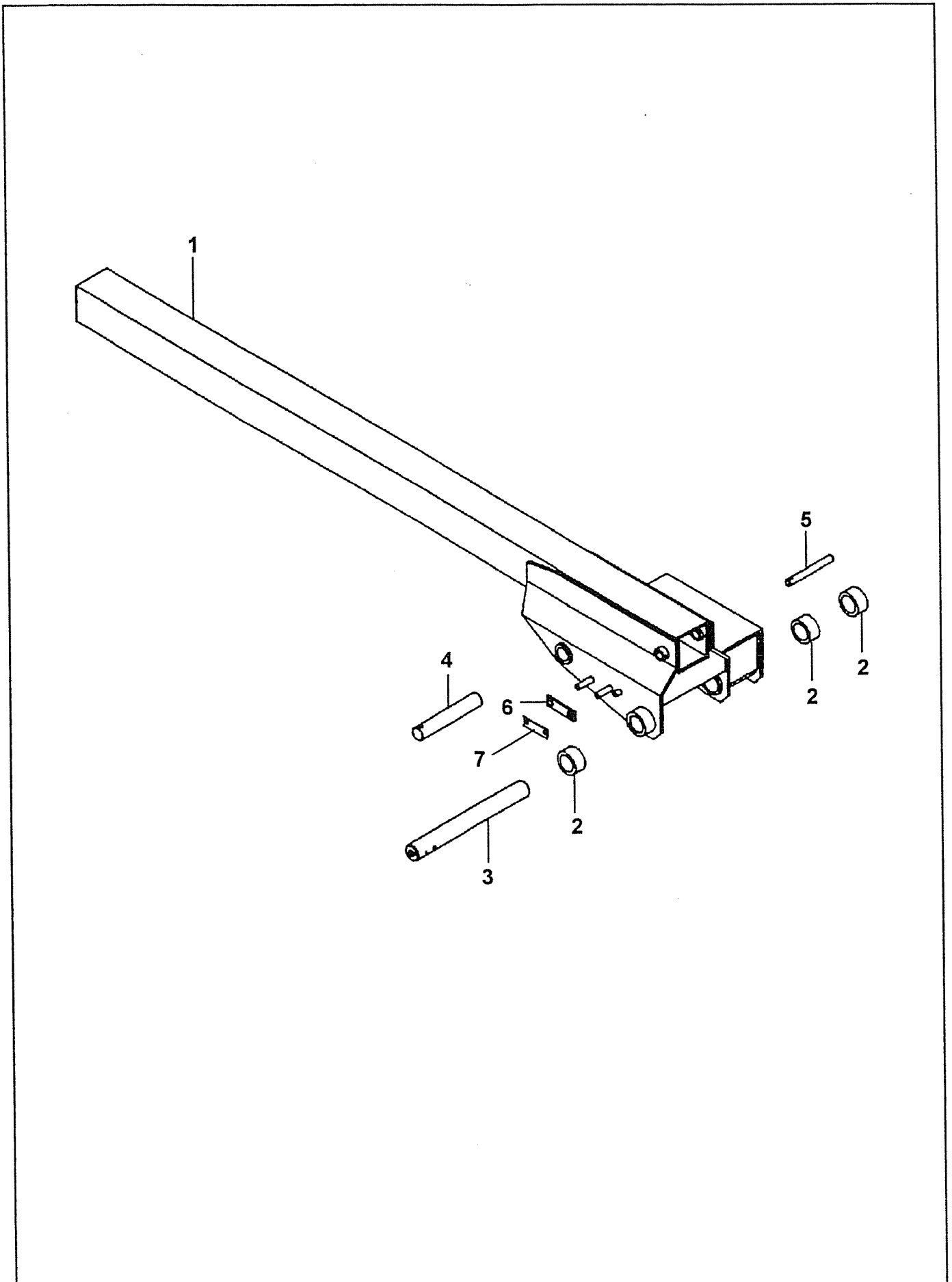
REF	PART NO	DESCRIPTION	QTY
76.193.02 TANK ASSY			
01	05.264.37	SETSCREW M16 X 50MM PLATED	2
01	05.287.04	SELF-LOCKING NUT M16 PLATED	2
01	30.216.54	RIVNUT M8 FLAT HD 16.0 LG	9
*01	41518.02	TANK - OIL (BSP)	1
02	05.495.01	PLUG 1/2"BSPT	1
03	08.921.01	FLUID LEVEL GAUGE	1
04	8401047	UC-SE-1324 SUCTION	2
05	08.605.01	GASKET	1
06	05.281.01	FLAT WASHER 8MM PLATED	10
06	05.286.01	NUT M8 PLATED	10
*06	41.255.01	PLATE - FILLER/FILTER	1
07	06.966.02	FILLER BREATHER CAP & STRAINER	1
08	05.264.01	SETSCREW M8 X 20MM PLATED	7
08	05.281.01	FLAT WASHER 8MM PLATED	7
08	05.282.01	SPRING WASHER 8MM PLATED	7
*08	41533.01	PANEL SIDE	1
09	05.264.01	SETSCREW M8 X 20MM PLATED	6
09	05.281.01	FLAT WASHER 8MM PLATED	6
09	05.282.01	SPRING WASHER 8MM PLATED	6
09	30.216.54	RIVNUT M8 FLAT HD 16.0 LG	4
*09	41534.01	PANEL FRONT/REAR	2
10	04.282.09	STUD M10 X 85MM	2
10	05.282.02	SPRING WASHER 10MM PLATED	2
10	05.286.02	NUT M10 PLATED	2
*10	41749.01	CLAMP BAR - HOSES	2
76.345.01 FILTER ASSEMBLY			
*20	41.041.03	FILTER ASSY 10uAbs	1
20	05.264.01	SETSCREW M8 X 20MM PLATED	4
20	05.282.01	SPRING WASHER 8MM PLATED	4
20	41.041.04	FILTER ELEMENT 10uAbs	-
21	05.290.08	BONDED SEAL 1.1/4"BSP	1
22	05.131.01	ADAPTOR 1" X 1.1/4" BSP	1

*MAIN PART IN GROUP, RELATED PARTS HAVE SAME REFERENCE NUMBER



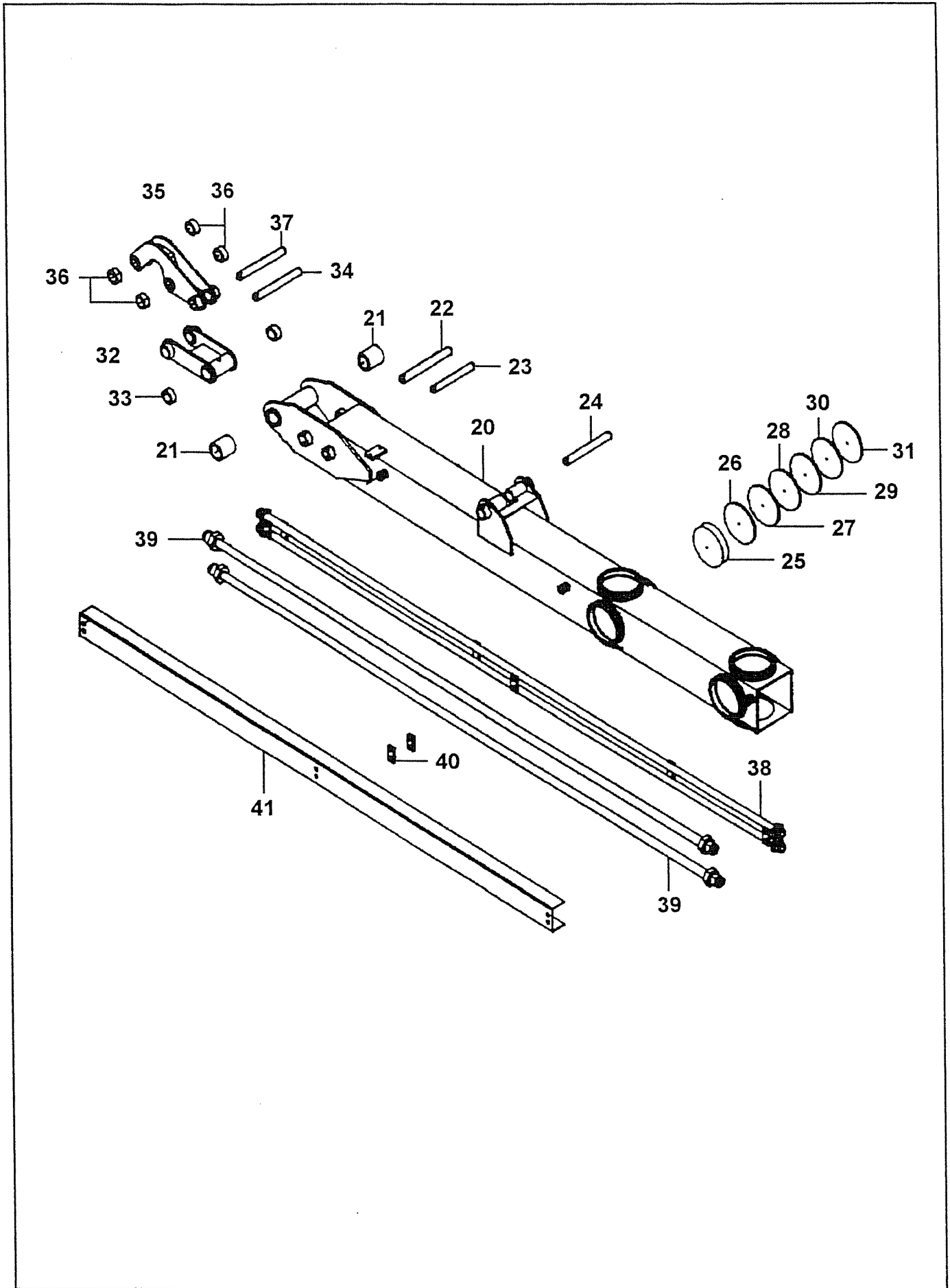
REF	PART NO.	DESCRIPTION	QTY
76.187.04 ARM ASSY - FIRST			
01	41517.01	ARM-FIRST	1
*02	03.657.30	PIN 50DIA X 294	1
02	05.287.03	SELF-LOCKING NUT M12 PLATED	1
02	05.292.22	BOLT M12 X 90MM PLATED	1
*03	03.658.08	PIN 60DIA X 428	1
03	05.287.03	SELF-LOCKING NUT M12 PLATED	1
03	05.292.23	BOLT M12 X 100MM PLATED	1
03	05.953.03	GREASE NIPPLE M10	2
*04	03.657.31	PIN 50 DIA X 261	1
04	05.287.03	SELF-LOCKING NUT M12 PLATED*	1
04	05.292.22	BOLT M12 X 90MM PLATED*	1
05	41699.01	CLAMP-HOSE RIGID BOTTOM	2
06	41698.01	CLAMP-HOSE RIGID MIDDLE	2
07	41697.01	CLAMP-HOSE RIGID TOP	2
08	41614.04	HOSE - 1" BSP RIGID	2
*10	41615.04	HOSE - 3/8" BSP RIGID	2
10	06.693.01	CABLE TIE - RED	1
10	06.693.04	CABLE TIE - YELLOW	1
*12	41646.01	GUARD-HOSE	1
12	04.282.10	STUD M10 X 100MM	4
12	05.281.02	FLAT WASHER 10MM PLATED FORM C	2
12	05.282.02	SPRING WASHER 10MM PLATED	4
12	05.286.02	NUT M10 PLATED	4
13	41644.01	COVER - HOSE	1
*14	06.430.07	CLAMP HOSE	4
14	04.282.66	STUD - M10 X 56	2
14	05.281.02	FLT WASHER 10MM PLATED FORM C	2
14	05.282.02	SPRING WASHER 10MM PLATED	2
14	05.286.02	NUT M10 PLATED	2
15	41613.01	GUARD - HOSE 1ST ARM	1

*MAIN PART IN GROUP, RELATED PARTS HAVE SAME REFERENCE NUMBER



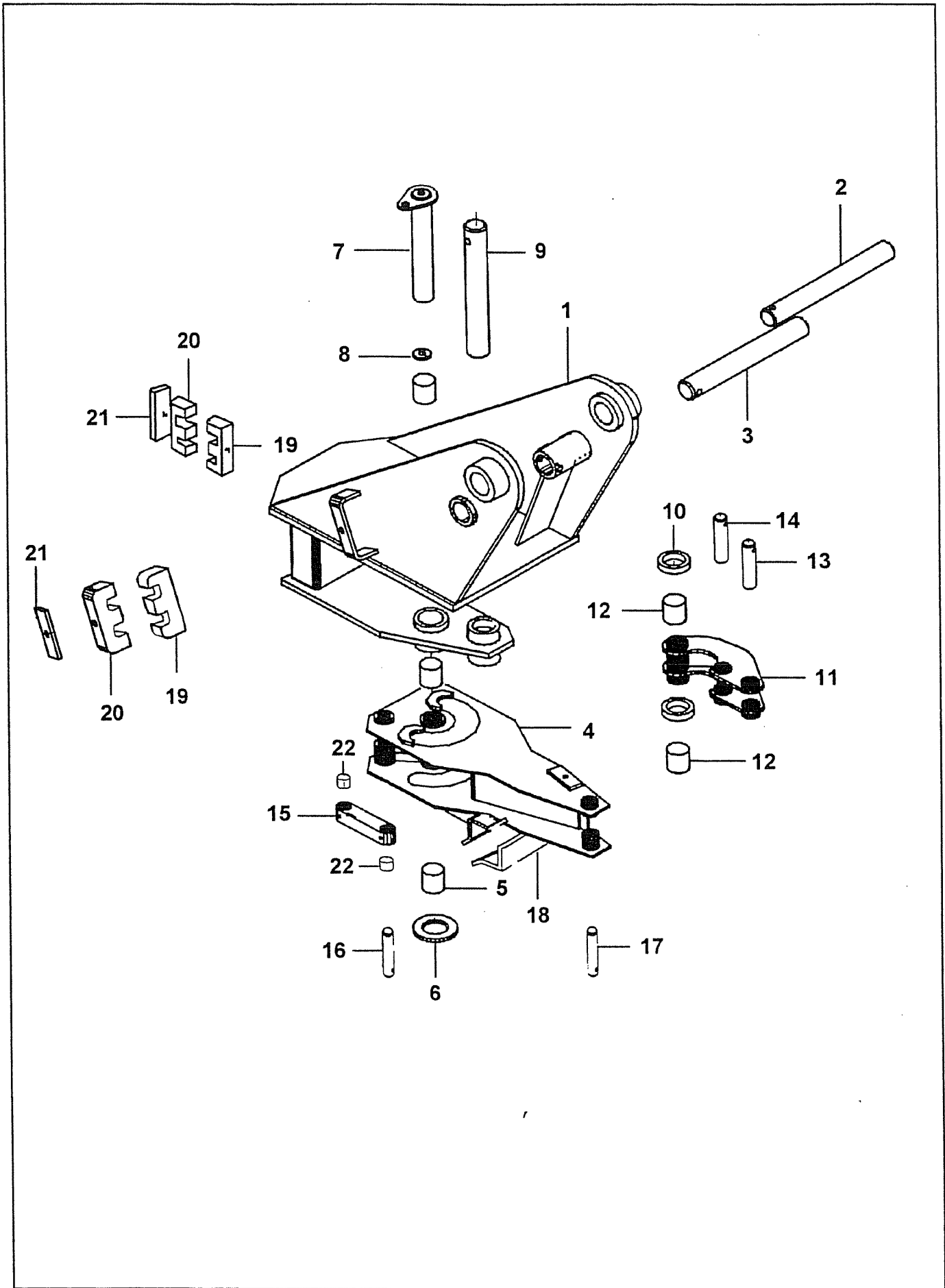
REF	PART NO.	DESCRIPTION	QTY
76.188.01 ARM - INNER TELESCOPIC			
*01	41545.01	ARM INNER TELESCOPIC	1
01	05.953.03	GREASE NIPPLE M10	1
02	08.297.06	PLASTIC BUSH 70 X 60 - 60	3
*03	03.658.07	PIN 60 DIA X 549	1
03	05.287.03	SELF-LOCKING NUT M12 PLATED	1
03	05.292.23	BOLT M12 X 100MM PLATED	1
03	05.953.03	GREASE NIPPLE M10	1
*04	03.657.30	PIN 50DIA X 294	1
04	05.287.03	SELF-LOCKING NUT M12 PLATED	1
04	05.292.22	BOLT M12 X 90MM PLATED	1
*05	03.654.75	PIN 30DIA X 224	1
05	05.287.01	SELF-LOCKING NUT M8 PLATED	1
05	05.291.06	BOLT M8 X 55MM PLATED	1
06	41619.01	CLAMP - HOSE	1
*07	41621.01	CLAMP - PLATE	1
07	05.264.12	SETSCREW M10 X 25MM PLATED	2
07	05.281.02	FLT WASHER 10MM PLATED FORM C	2
07	05.282.02	SPRING WASHER 10MM PLATED	2

*MAIN PART IN GROUP, RELATED PARTS HAVE SAME REFERENCE NUMBER



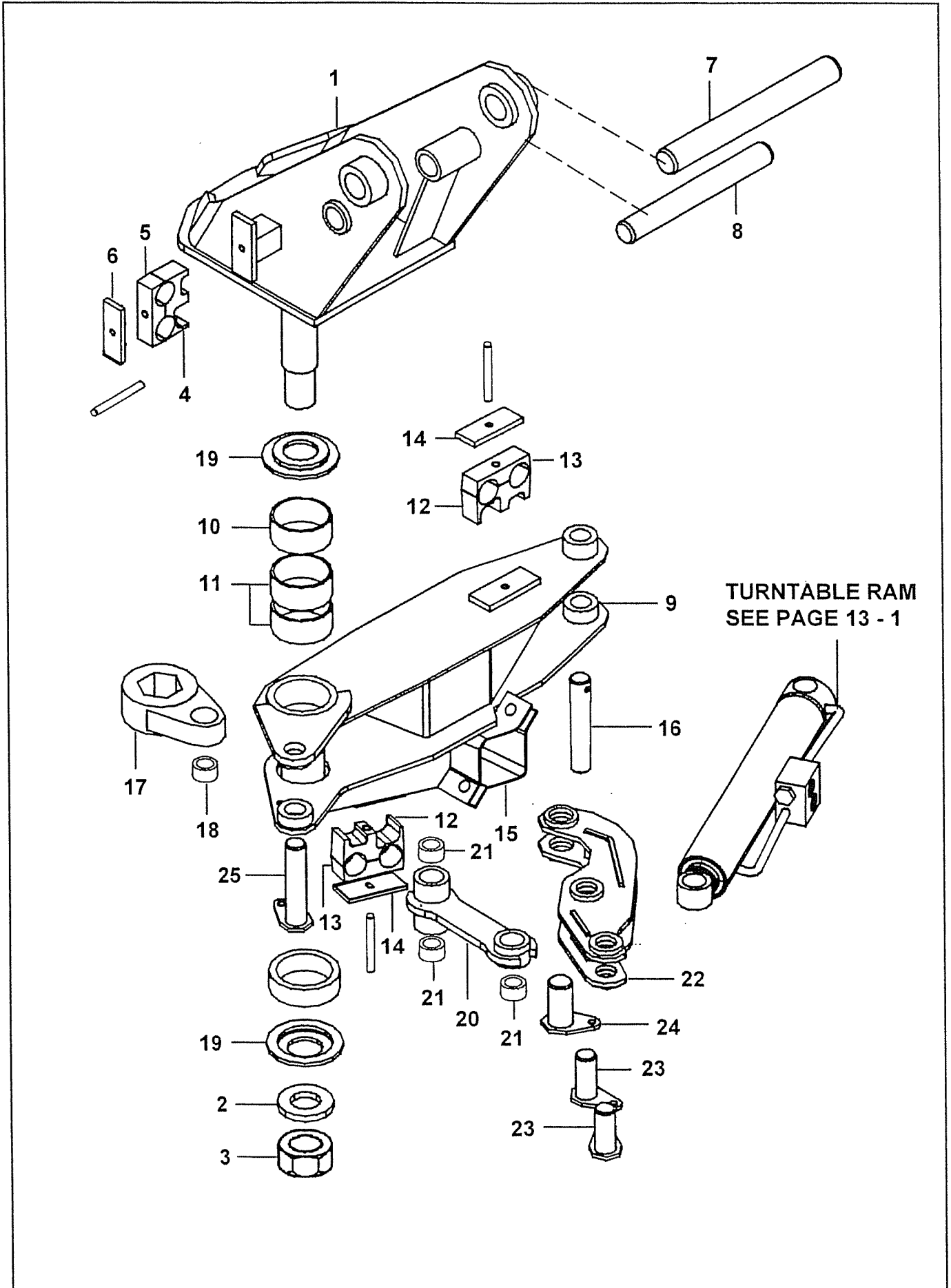
REF	PART NO	DESCRIPTION	QTY
76.189.02 ARM ASSY - TELE OUTER			
*20	41492.01	ARM-OUTER TELESCOPIC	1
20	05.953.03	GREASE NIPPLE M10	1
21	08.297.02	BUSH - PLASTIC 47 X 40 X 40	2
*22	03.655.30	PIN 35DIA X 260	1
22	05.287.02	SELF-LOCKING NUT M10 PLATED	1
22	05.291.18	BOLT M10 X 65 PLATED	1
*23	03.654.74	PIN 30DIA X 260	1
23	05.287.01	SELF-LOCKING NUT M8 PLATED	1
23	05.291.06	BOLT M8 X 55MM PLATED	1
*24	03.655.30	PIN 35DIA X 260	1
24	05.287.02	SELF-LOCKING NUT M10 PLATED	1
24	05.291.18	BOLT M10 X 65 PLATED	1
*25	41494.01	PAD BEARING 140 DIA	8
25	05.264.13	SETSCREW M10 X 30MM PLATED	8
25	05.282.02	SPRING WASHER 10MM PLATED	8
26	41495.01	DISC - LOCATION	8
27	41497.01	SHIM 0.5	16
28	41497.02	SHIM 1.00	16
29	41497.03	SHIM 2.00	16
30	41498.01	SHIM 5.00	8
31	05.959.08	CIRCLIP - INT 140MM DIA	8
32	05.953.03	GREASE NIPPLE M10*	1
32	41577.01	LINK-COWL RAM	1
33	08.297.05	PLASTIC BUSH - 42 X 35 - 30	2
*34	03.655.33	PIN 35DIA X 172	1
34	05.287.02	SELF-LOCKING NUT M10 PLATED	1
34	05.291.18	BOLT M10 X 65 PLATED	1
*35	41578.01	LINK-COWL	1
35	05.953.03	GREASE NIPPLE M10	1
36	08.297.05	PLASTIC BUSH - 42 X 35 - 30	4
*37	03.655.26	PIN - DIA 35 X 128	1
37	05.287.02	SELF-LOCKING NUT M10 PLATED	1
37	05.291.18	BOLT M10 X 65 PLATED	1
*38	41628.02	RIGID PIPE ASSY - TELE	1
38	04.282.80	STUD - M10 X 50	6
38	05.264.24	SETSCREW M12 X 35MM PLATED	3
38	05.281.02	FLT WASHER 10MM PLATED FORM C	6
38	05.282.02	SPRING WASHER 10MM PLATED	6
38	05.282.03	SPRING WASHER 12MM PLATED	3
38	05.286.02	NUT M10 PLATED	6
39	41616.02	HOSE - 3/8" BSP RIGID	2
40	41696.01	CLAMP-HOSE RIGID TELE ARM	6
41	41626.01	GUARD - HOSE	1

*MAIN PART IN GROUP, RELATED PARTS HAVE SAME REFERENCE NUMBER



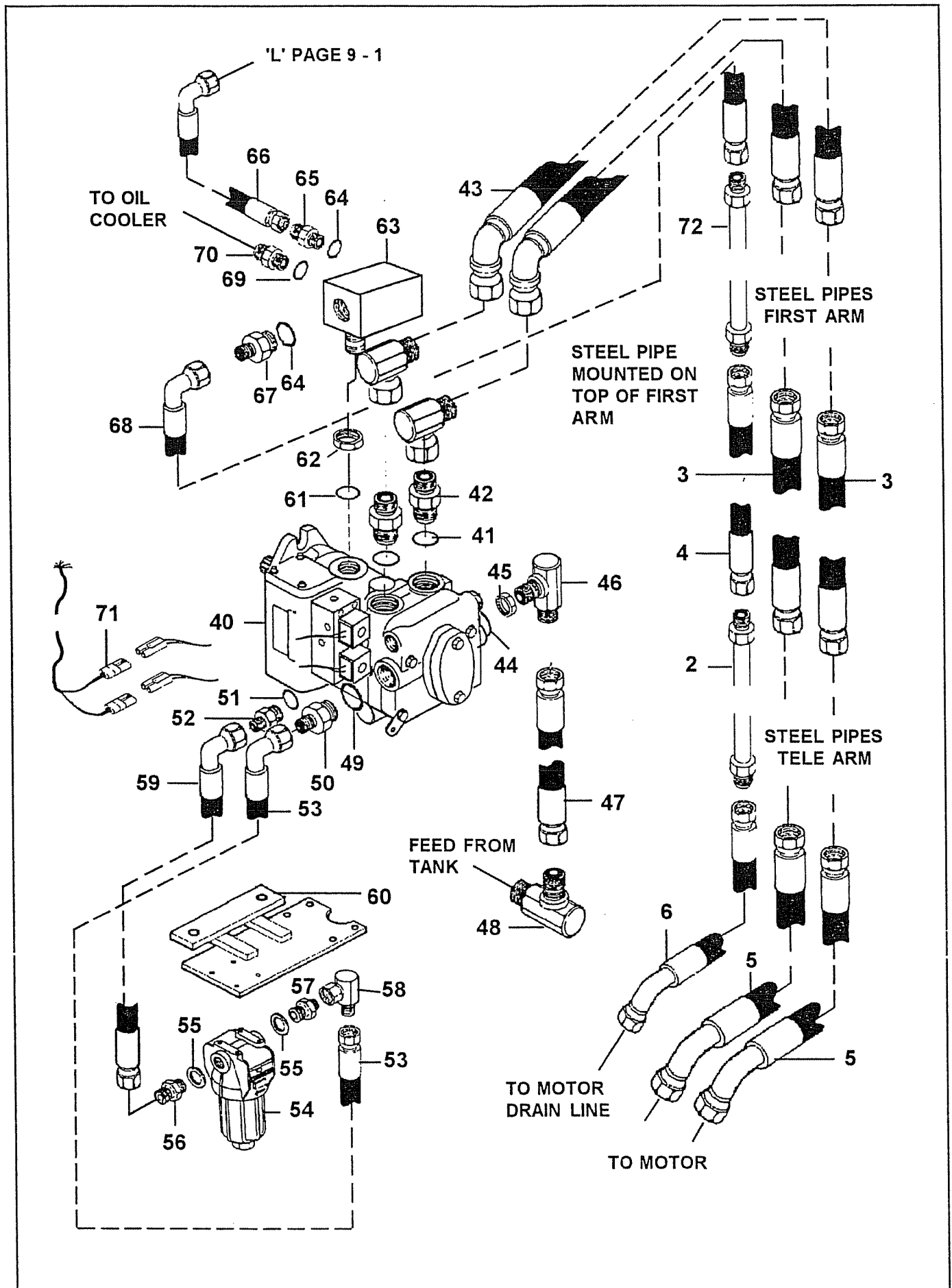
REF	PART NO.	DESCRIPTION	QTY
76.190.01 TURNTABLE ASSEMBLY			
01	42313.01	BRACKET-COWL ANGLING	1
*02	03.656.77	PIN 40 DIA X 335	1
02	05.287.02	SELF-LOCKING NUT M10 PLATED	1
02	05.291.19	BOLT M10 X 70MM PLATED	1
*03	03.655.42	PIN 35 DIA X 292	1
03	05.287.02	SELF-LOCKING NUT M10 PLATED	1
03	05.291.18	BOLT M10 X 65 PLATED	1
04	05.953.03	GREASE NIPPLE M10	1
*04	41554.01	COWL BRACKET TURNTABLE	1
05	08.297.02	BUSH - PLASTIC 47 X 40 X 40	2
06	41564.01	THRUST WASHER	1
*07	42326.01	PIN 40 DIA X 257	1
07	05.264.22	SETSCREW M12 X 25MM PLATED	1
07	05.282.03	SPRING WASHER 12MM PLATED	1
*08	41667.01	WASHER 60 X 21-6	1
08	05.264.45	SETSCREW M20 X 40MM PLATED	1
08	05.282.05	SPRING WASHER 20MM PLATED	1
*09	03.655.32	PIN 35 DIA X 256	1
09	05.287.02	SELF-LOCKING NUT M10 PLATED	1
09	05.291.18	BOLT M10 X 65 PLATED	1
10	41575.01	SPACER 40 X 25.5 - 12	2
11	05.953.03	GREASE NIPPLE M10	1
*11	41561.01	BRACKET-LINK	1
12	08.297.05	PLASTIC BUSH - 42 X 35 - 30	2
*13	03.654.76	PIN 30 DIA X 114	1
13	05.287.01	SELF-LOCKING NUT M8 PLATED	1
13	05.291.06	BOLT M8 X 55MM PLATED	1
*14	03.654.76	PIN 30 DIA X 114	1
14	05.287.01	SELF-LOCKING NUT M8 PLATED	1
14	05.291.06	BOLT M8 X 55MM PLATED	1
15	05.953.01	GREASE NIPPLE M6	2
*15	42158.01	LINK -TURNTABLE	1
*16	03.654.64	PIN - DIA 30 X 168	1
16	05.287.01	SELF-LOCKING NUT M8 PLATED	1
16	05.291.06	BOLT M8 X 55MM PLATED	1
*17	03.654.64	PIN - DIA 30 X 168	1
17	05.287.01	SELF-LOCKING NUT M8 PLATED	1
17	05.291.06	BOLT M8 X 55MM PLATED	1
*18	05.264.37	SETSCREW M16 X 50MM PLATED	5
18	05.282.04	SPRING WASHER 16MM PLATED	5
18	05.286.04	NUT M16 PLATED	5
18	09.664.01	PLATE - COWL CLAMP	1
19	06.430.18	HOSE CLAMP-LOWER	2
20	06.430.17	HOSE CLAMP - UPPER	2
21	04.282.69	STUD - M10 X 105	2
21	05.282.02	SPRING WASHER 10MM PLATED	2
21	05.286.02	NUT M10 PLATED	2
*21	06.418.05	CLAMP PLATE 95 X 6	2
22	08.297.10	PLASTIC BUSH - 37 X 30 - 40	2

*MAIN PART IN GROUP, RELATED PARTS HAVE SAME REFERENCE NUMBER



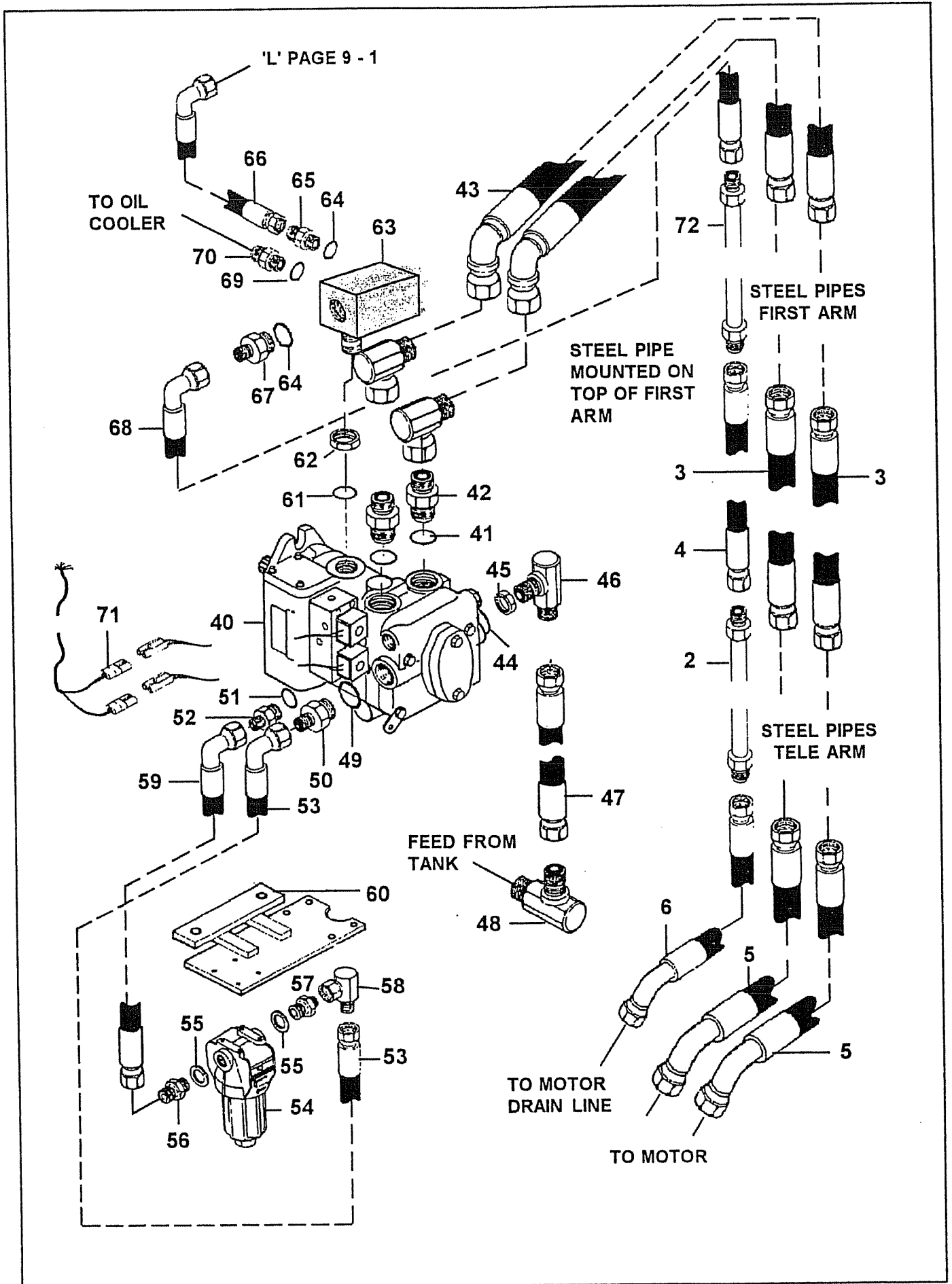
REF	PART NO	DESCRIPTION	QTY
76.190.04 TURNTABLE ASSEMBLY PISTON			
01	05.953.03	GREASE NIPPLE M10	1
*01	42429.01	BRACKET - COWL ANGLING	1
02	42650.01	WASHER 80 DIA - 10	1
03	05.201.20	TENSION PIN 8MM X 65MM PLATED	1
*03	05.948.39	NUT CASTLE M42 X3 (FINE)PLATED	1
04	06.430.18	HOSE CLAMP-LOWER	1
05	06.430.17	HOSE CLAMP - UPPER	1
06	04.282.69	STUD - M10 X 105	1
06	05.282.02	SPRING WASHER 10MM PLATED	1
06	05.286.02	NUT M10 PLATED	1
*06	06.418.05	CLAMP PLATE 95 X 6	1
*07	03.656.77	PIN 40DIA X 335	1
07	05.287.02	SELF-LOCKING NUT M10 PLATED	1
07	05.291.19	BOLT M10 X 70MM PLATED	1
*08	03.655.42	PIN - DIA 35 X 292	1
08	05.287.02	SELF-LOCKING NUT M10 PLATED	1
08	05.291.18	BOLT M10 X 65 PLATED	1
09	05.953.03	GREASE NIPPLE M10	1
*09	42481.01	BRACKET - COWL MOUNTING	1
10	08.297.11	BUSH PLASTIC 80 X 70 - 40	1
11	08.297.01	BUSH - PLASTIC 60 X 50 X 50	2
12	06.430.18	HOSE CLAMP-LOWER	2
13	06.430.17	HOSE CLAMP - UPPER	2
14	04.282.69	STUD - M10 X 105	2
14	05.282.02	SPRING WASHER 10MM PLATED	2
14	05.286.02	NUT M10 PLATED	2
*14	06.418.05	CLAMP PLATE 95 X 6	2
15	05.264.37	SETSCREW M16 X 50MM PLATED	5
15	05.282.04	SPRING WASHER 16MM PLATED	5
15	05.286.04	NUT M16 PLATED	5
*15	09.664.01	PLATE - COWL CLAMP	1
*16	03.654.80	PIN 30 DIA X 160	1
16	05.287.01	SELF-LOCKING NUT M8 PLATED	1
16	05.291.06	BOLT M8 X 55MM PLATED	1
17	42443.01	LINK - PIVOT	1
18	42612.02	BUSH DU PLAIN 39 X 35 - 35	1
19	08.541.02	THRUST WASHER	2
20	42482.01	LINK	1
21	42612.01	BUSH DU PLAIN 34 X 30 - 35	3
22	42430.01	BRACKET - LINK	1
23	05.264.11	SETSCREW M10 X 20MM PLATED	1
23	05.282.02	SPRING WASHER 10MM PLATED	1
*23	42652.02	PIN 30 DIA X 70	1
24	05.264.11	SETSCREW M10 X 20MM PLATED	1
24	05.282.02	SPRING WASHER 10MM PLATED	1
*24	42652.03	PIN 35 DIA X 70	1
25	05.264.13	SETSCREW M10 X 30MM PLATED	1
25	05.282.02	SPRING WASHER 10MM PLATED	1
25	05.286.02	NUT M10 PLATED	1
*25	42652.01	PIN 30 DIA X 136	1

*MAIN PART IN GROUP, RELATED PARTS HAVE SAME REFERENCE NUMBER



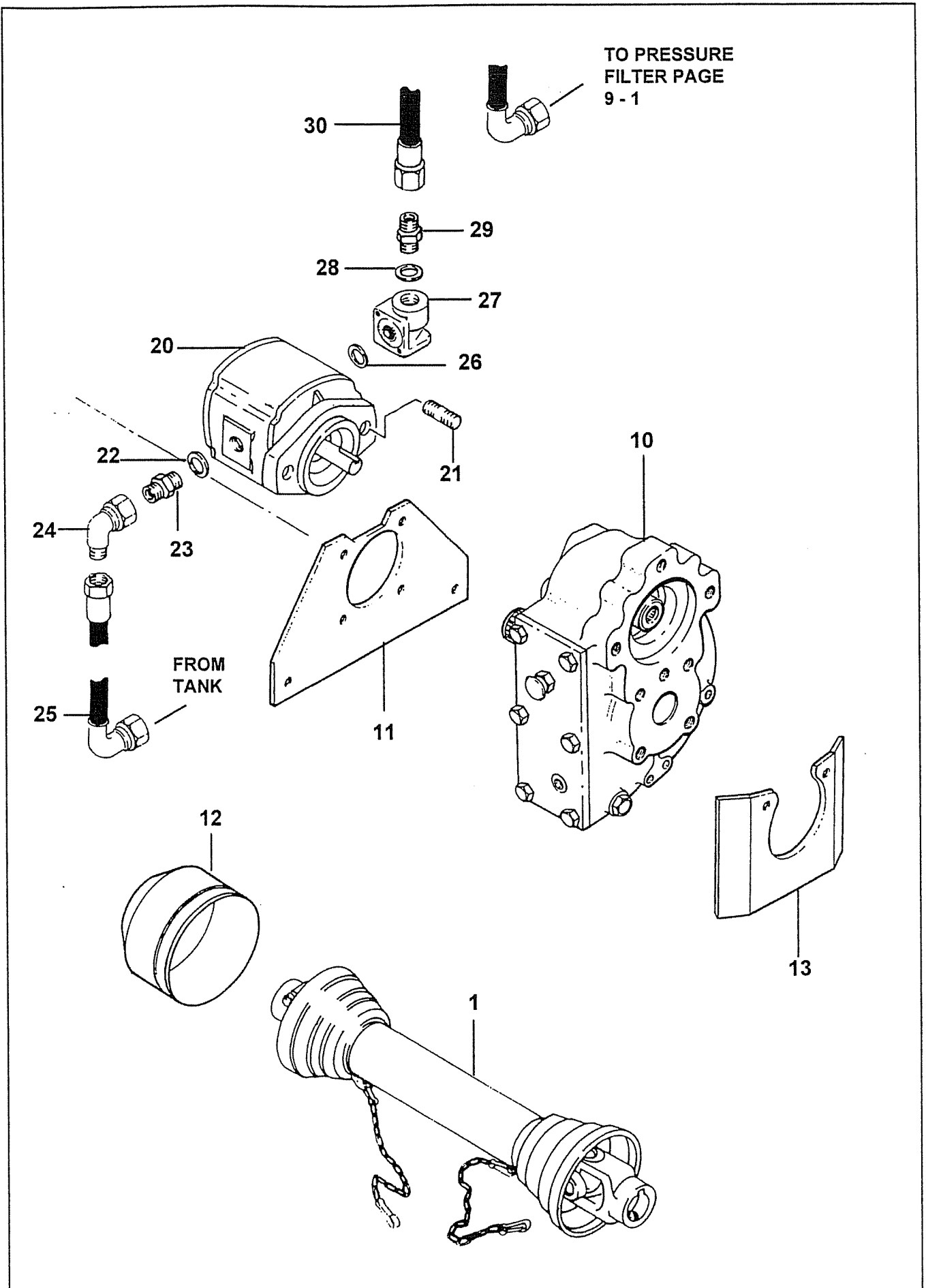
REF	PART NO.	DESCRIPTION	QTY
76.202.04 PUMP ASSY - PISTON			
*40	8201699	PISTON PUMP ELECTRIC CONTROL	1
40	8699239	SEAL KIT - PISTON PUMP	-
41	8600916	O RING GASKET 1.5/16"UNF	2
42	08.955.25	ADAPTOR 1"BSP X 1.5/16"-12 JIC	2
43	41350.38	HOSE 1"BSP STX135 H.P. 2800	1
44	8600916	O RING GASKET 1.5/16"UNF	1
45	7550047	LOCKNUT 1.5/16"x12 UNF (THIN)	1
46	8581335	ADAPTOR-90 ELBOW MM	1
47	10.011.14	HOSE 1"BSP STXST S.SEAL 700	1
48	05.835.13	ADAP.SWIVEL 90 M/F 1"/1.5"BSP	1
49	8600916	O RING GASKET 1.5/16"UNF	1
50	8581321	ADAPTOR 1.5/16JIC X 1/2"BSP MM	1
51	8600910	O RING GASKET 7/8"UNF	1
52	8581226	ADAPTOR 7/8"JIC X 1/2"BSP MM	1
53	10.006.21	HOSE 1/2"BSP ST X 90 S.SEAL 1100	1
54	05.282.07	SPRING WASHER 6MM PLATED	4
54	05.839.05	SETSCREW M6 X 16MM PLATED	4
*54	8401066	FILTER MEDIUM PRESSURE 10mic	1
54	8401067	ELEMENT	-
55	05.290.05	BONDED SEAL 1/2"BSP	2
56	05.122.01	ADAPTOR 1/2" BSP X 1/2" BSP	1
57	05.122.01	ADAPTOR 1/2" BSP X 1/2" BSP	1
58	05.835.05	ADAPTOR-SWIVEL 90 1/2"BSP M/F	1
59	10.006.16	HOSE 1/2"BSP ST X 90 S.SEAL 800	1
*60	42267.01	BRACKET - FILTER MOUNTING	1
60	05.264.21	SETSCREW M12 X 20MM PLATED	2
60	05.281.03	FLAT WASHER 12MM PLATED	2
60	05.282.03	SPRING WASHER 12MM PLATED	2
61	8600912	O RING GASKET 1/1/16 UNF	1
62	05.948.38	LOCKNUT 1.1/16"x12 UNF (THIN)	1
63	41627.01	MANIFOLD-RETURN	1
64	05.290.06	BONDED SEAL 3/4"BSP	2
65	05.377.01	ADAPTOR 3/4"BSP X 3/4"BSP	1
66	10.010.18	HOSE 3/4"BSP STX90 S.SEAL 900	0
67	03.197.01	ADAPTOR 5/8"BSP X 3/4"BSP	1
68	10.008.31	HOSE 5/8"BSP STX90 S.SEAL 2100	0
69	05.290.07	BONDED SEAL 1"BSP	1
70	05.434.01	ADAPTOR 1"BSP X 1"BSP	1
71	42494.01	CABLE ASSY - EATON PUMP	1
72	41617.04	HOSE - 5/8" BSP RIGID	1
73	05.835.02	ADAPTOR-SWIVEL 90 1"BSP M/F	2

*MAIN PART IN GROUP, RELATED PARTS HAVE SAME REFERENCE NUMBER



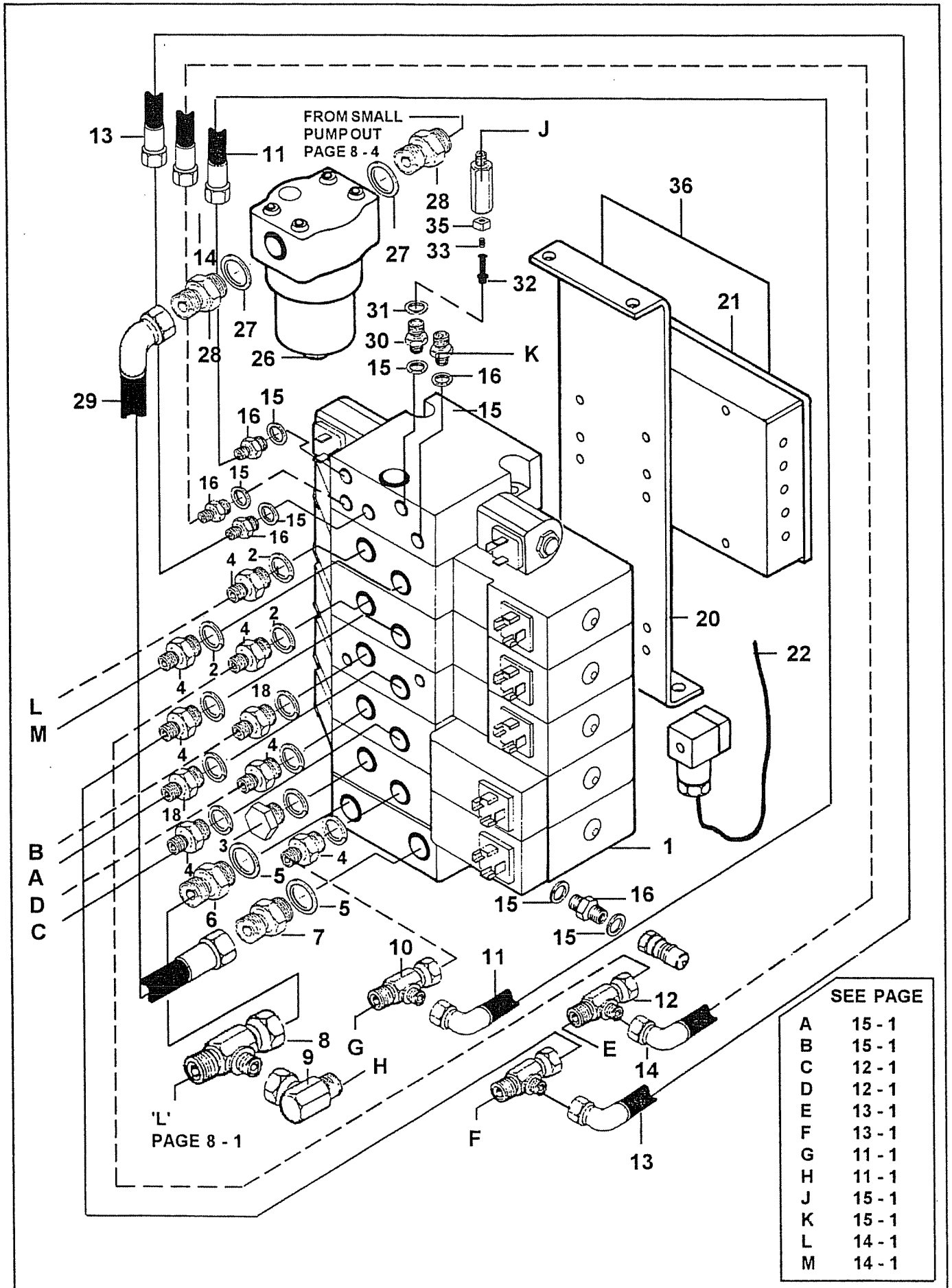
REF	PART NO.	DESCRIPTION	QTY
76.209.04 HYD. CIRCUIT - PISTON			
*01	41620.01	CLAMP - HOSE	1
01	05.264.11	SETSCREW M10 X 20MM PLATED	1
01	05.282.02	SPRING WASHER 10MM PLATED	1
02	41618.03	HOSE - 5/8" BSP RIGID	1
03	41348.32	HOSE 1"BSP ST X ST H.P. 2200	2
04	10.007.32	HOSE 5/8"BSP ST X ST S.SEAL 2200	1
05	41350.49	HOSE 1"BSP ST X 135 H.P. 3900	2
06	10.007.49	HOSE 5/8"BSP ST X ST S.SEAL 3900	1

***MAIN PART IN GROUP, RELATED PARTS HAVE SAME REFERENCE NUMBER**



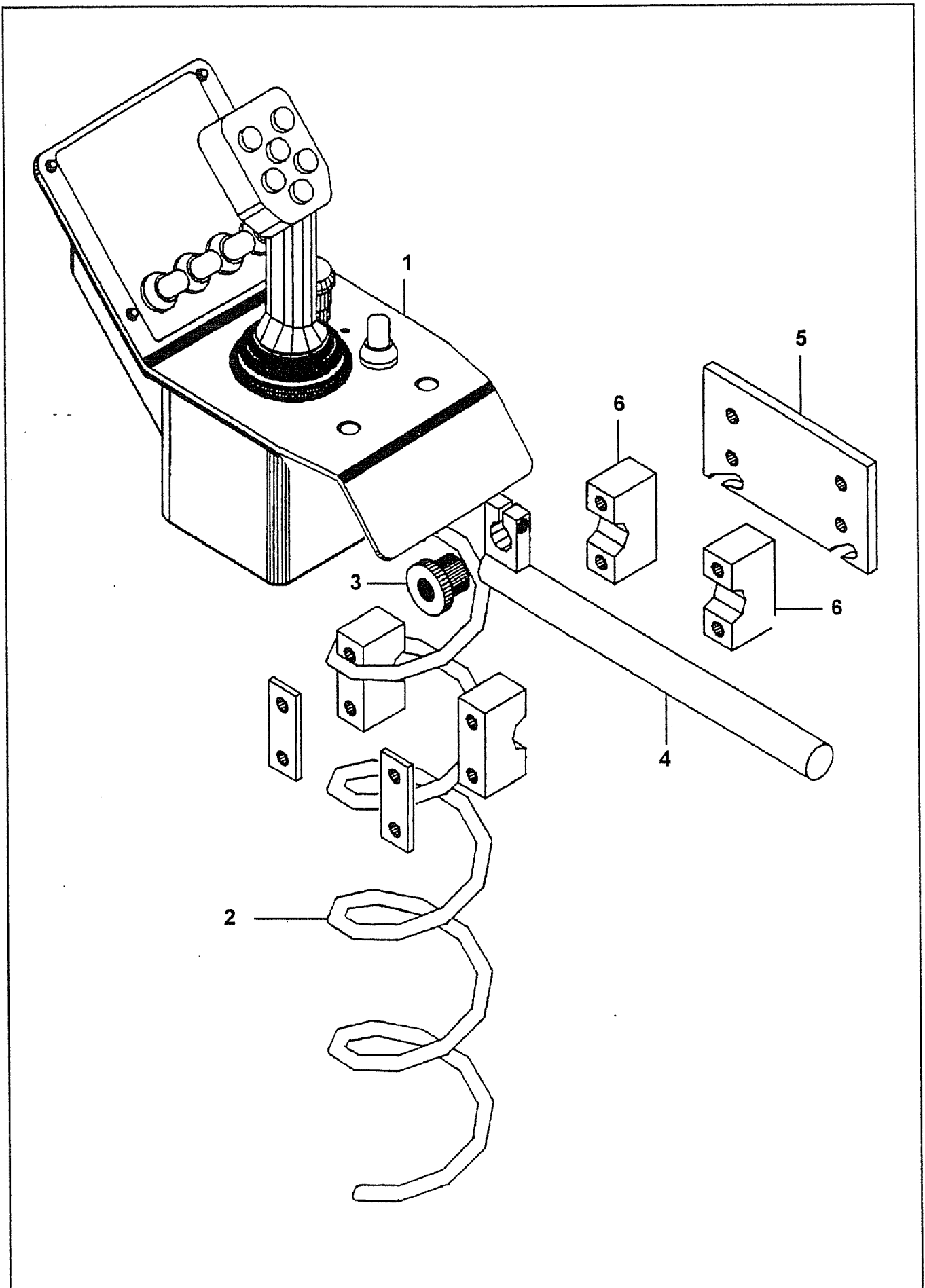
REF	PART NO.	DESCRIPTION	QTY
76.201.01 GEARBOX ASSEMBLY			
10	42693.01	GEARBOX 2.8 : 1 CAST IRON	1
11	05.264.23	SETSCREW M12 X 30MM PLATED	4
11	05.282.03	SPRING WASHER 12MM PLATED	4
11	05.287.03	SELF-LOCKING NUT M12 PLATED	4
11	05.291.25	BOLT M12 X 50MM PLATED	4
*11	41536.01	PLATE-GEARBOX MTG	1
12	05.281.01	FLAT WASHER 8MM PLATED	2
12	05.282.01	SPRING WASHER 8MM PLATED	2
12	05.839.03	SETSCREW M8 X 16MM PLATED	2
*12	08.548.01	GUARD - PLASTIC PTO CUP	1
13	05.282.03	SPRING WASHER 12MM PLATED	2
13	05.625.33	SOCKET CAP SCREW M12 X 16MM	2
*13	42818.01	PLATE-GEARBOX	1
76.200.01 PTO SHAFT ASSEMBLY			
*01	41544.01	PTO SHAFT ASSY-610 C/C 6/21 SP	1
01	41544.96	CROSS JOURNAL SET	-
76.204.02 FRONT PUMP ASSEMBLY GEAR			
20	09.537.05	GEAR PUMP - ULTRA 1PX210	1
*21	03.100.01	STUD M10 X 34MM	2
21	05.286.02	NUT M10 PLATED	2
22	05.290.06	BONDED SEAL 3/4"BSP	1
23	05.373.01	ADAPTOR 3/4"BSP X 1"BSP	1
24	05.835.02	ADAPTOR-SWIVEL 90 1"BSP M/F	1
25	10.012.11	HOSE 1"BSP ST X 90 S.SEAL 550	1
26	30.210.92	O RING 200-121-4490	1
*27	30.210.91	CONNECTOR 1P E4Z OUT - PLATED	1
27	05.625.25	SCKT CAPSCREW 5/16"UNC X 2.1/4	2
28	05.290.05	BONDED SEAL 1/2"BSP	1
29	05.376.01	ADAPTOR 3/4"BSP X 1/2"BSP	1
30	10.010.15	HOSE 3/4"BSP ST X 90 S.SEAL 750	1

*MAIN PART IN GROUP, RELATED PARTS HAVE SAME REFERENCE NUMBER



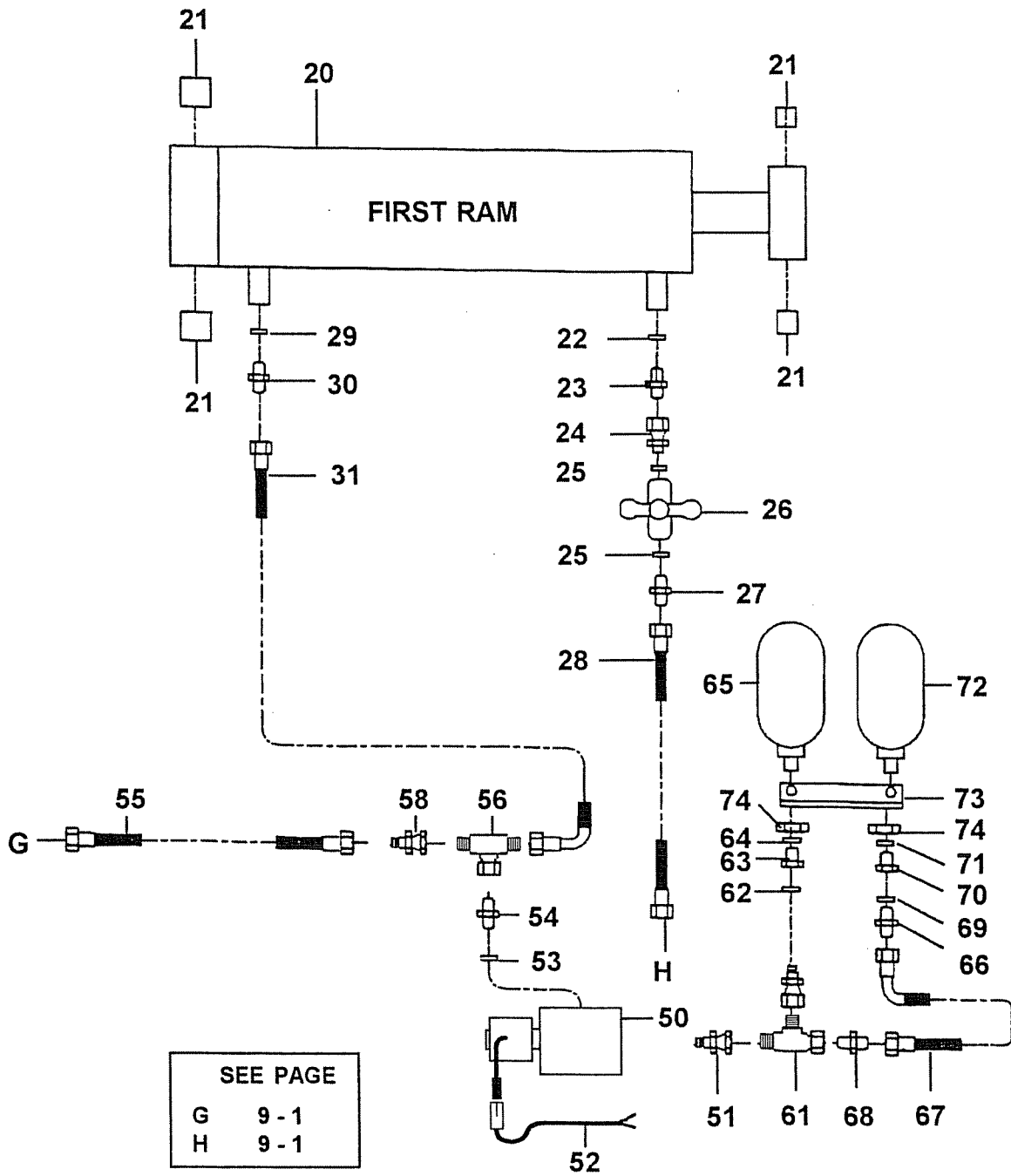
REF	PART NO.	DESCRIPTION	QTY
76.207.04 VALVE ASSEMBLY			
01	41991.02	VALVE-5 SECTION B83-83	1
02	05.290.05	BONDED SEAL 1/2"BSP	10
03	05.433.06	PLUG 1/2"BSP PLATED	1
04	05.123.01	ADAPTOR 1/2" BSP X 3/8" BSP	7
05	05.290.06	BONDED SEAL 3/4"BSP	2
06	05.377.01	ADAPTOR 3/4"BSP X 3/4"BSP	1
07	05.377.01	ADAPTOR 3/4"BSP X 3/4"BSP	1
08	04.056.17	ADAPTOR F/M/M 3/4 X 3/4 X 3/8 BSP	1
09	05.835.01	ADAPTOR-SWIVEL 90 3/8"BSP M/F	1
10	04.056.16	ADAPTOR F/M/M 3/8 X 3/8 X 1/4 BSP	1
11	10.002.10	HOSE 1/4"BSP ST X 90 S.SEAL 500	1
12	04.056.16	ADAPTOR F/M/M 3/8 X 3/8 X 1/4 BSP	2
13	10.002.06	HOSE 1/4"BSP ST X 90 S.SEAL 300	1
14	10.002.06	HOSE 1/4"BSP ST X 90 S.SEAL 300	1
15	05.290.02	BONDED SEAL 1/4"BSP	7
16	05.129.01	ADAPTOR 1/4 BSP X 1/4 BSP	4
17	01.099.01	ADAPTOR 3/8BSP X1/4BSP	1
18	01.099.03	ADAPTOR 1/2BSP X 1/4BSP	2
*20	42266.01	TANK STRUT	1
20	05.264.21	SETSCREW M12 X 20MM PLATED	4
20	05.281.03	FLAT WASHER 12MM PLATED	4
20	05.282.03	SPRING WASHER 12MM PLATED	4
*21	42328.01	GROMMET 12.7 X 1.6 - BLANKING	1
21	05.282.01	SPRING WASHER 8MM PLATED	4
21	30.068.95	SCREW M8 X 12 8.8 GRADE Z/P	4
21	41992.02	JUNCTION BOX-DANFOSS CONTROL	1
21	42328.02	GROMMET 9.5 X 1.6-DIA 6.4 HOLE	9
21	42328.03	GROMMET 12.5 X 1.6-DIA 6.4 HOLE	2
21	7550050	CABLE SEAL	2
22	42368.01	LOOM - B8383	1
23	05.146.12	Q/R COUPLING 1/4" BSP MALE	1
26	05.264.01	SETSCREW M8 X 20MM PLATED	4
26	05.282.01	SPRING WASHER 8MM PLATED	4
26	42281.01	PRESSURE FILTER - PARKER	1
26	42281.02	ELEMENT - 10u ABS	-
27	05.290.06	BONDED SEAL 3/4"BSP	2
28	05.377.01	ADAPTOR 3/4"BSP X 3/4"BSP	2
29	10.010.14	HOSE 3/4"BSP STX90 S.SEAL 700	0
30	8130083	RELIEF VALVE BODY	1
31	05.290.05	BONDED SEAL 1/2"BSP	1
32	8130151	RELIEF VALVE 100 BAR	1
33	8116011	SPRING	1
34	42402.01	HOUSING - RELIEF VALVE	1
35	8130174	SUPPORT PLUG	1
36	42261.01	DECAL - WIRING (DANFOSS TELE)	1

*MAIN PART IN GROUP, RELATED PARTS HAVE SAME REFERENCE NUMBER



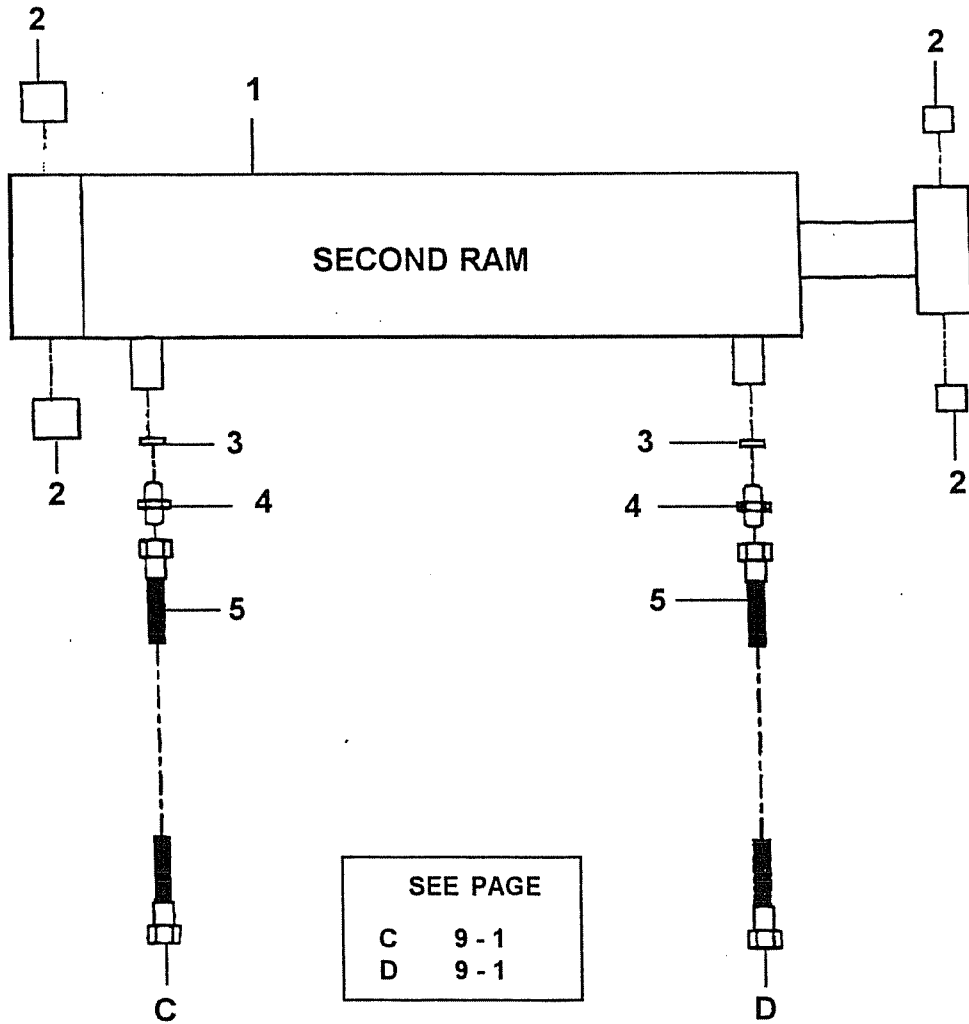
REF	PART NO.	DESCRIPTION	QTY
76.223.02 REMOTE CONTROL ASSEMBLY			
01	42032.01	CONTROL ASSY B83/78	1
*02	08.987.01	CABLE ASSY - 2 CORE X 5.5M HVY	1
02	06.616.02	FUSE - 15A IN-LINE	-
*03	41720.01	BOSS - CONTROL LEVER	1
03	05.264.32	SETSCREW M16 X 25MM PLATED	1
03	05.282.04	SPRING WASHER 16MM PLATED	1
*04	08.318.01	TUBE - CONTROL BOX MOUNTING	1
04	05.264.12	SETSCREW M10 X 25MM PLATED	1
*05	08.317.01	PLATE - CONTROL BOX	1
05	05.264.02	SETSCREW M8 X 25MM PLATED	2
05	05.281.01	FLAT WASHER 8MM PLATED	2
05	05.282.01	SPRING WASHER 8MM PLATED	2
05	05.948.07	WING NUT M8 - PLATED	2
*06	30.209.71	CLAMP SINGLE 1"	4
06	30.068.90	BOLT M6 X 55 MM 8.8 GRADE Z/P.	4
06	30.070.64	NUT NYLOC M6.Z/P.	4
06	30.209.73	COVER PLATE	2

*MAIN PART IN GROUP, RELATED PARTS HAVE SAME REFERENCE NUMBER



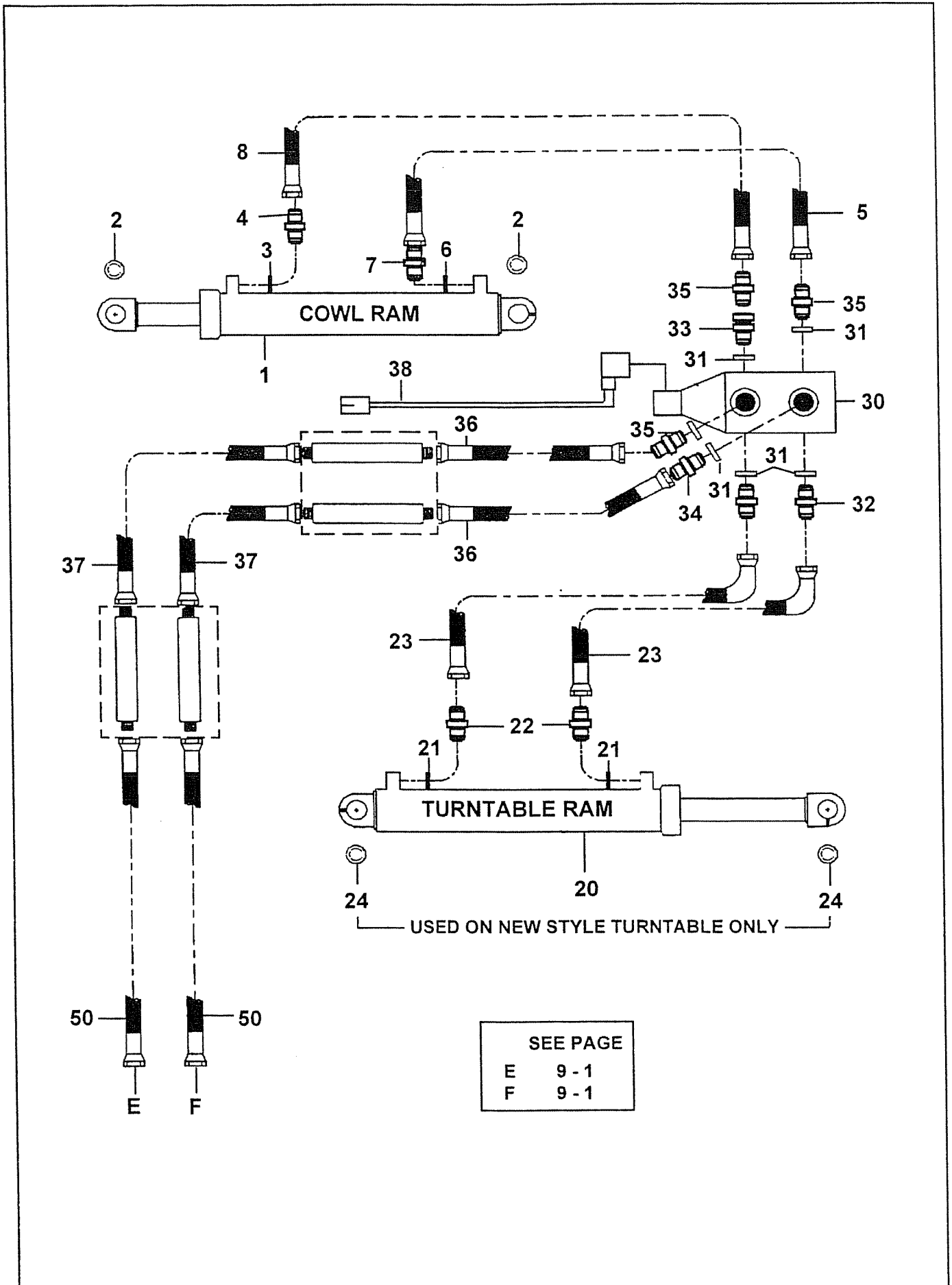
REF	PART NO.	DESCRIPTION	QTY
76.205.02 FIRST RAM CIRCUIT			
*20	41500.02	RAM D/A 125 BORE 925 STROKE	1
20	05.953.03	GREASE NIPPLE M10	2
20	41500.01	SEAL KIT FOR 41500.XX RAMS	-
21	08.297.01	BUSH - PLASTIC 60 X 50 X 50	4
22	05.290.05	BONDED SEAL 1/2"BSP	1
23	05.123.01	ADAPTOR 1/2" BSP X 3/8" BSP	1
24	02.714.01	ADAPTOR-SWIVEL ST 3/8BSP M/F	1
25	05.290.04	BONDED SEAL 3/8"BSP	2
26	08.200.01	VALVE - ISOLATING 3/8" BSP	1
27	05.124.01	ADAPTOR 3/8" BSP X 3/8" BSP	1
28	10.003.51	HOSE 3/8"BSP ST X ST S.SEAL 4100	1
29	05.290.05	BONDED SEAL 1/2"BSP	1
30	05.122.01	ADAPTOR 1/2" BSP X 1/2" BSP	1
31	10.006.22	HOSE 1/2"BSP ST X 90 S.SEAL 700	1
76.206.02 ACCUMULATOR CIRCUIT			
*50	08.619.09	MODULAR SOLENOID VALVE ASSY	1
50	08.619.25	SEAL KIT	-
51	02.714.03	ADAPTOR-SWIV.M/F 3/8 BSP X 1/2 BSP	1
52	42404.01	CABLE ASSEMBLY - ARM FLOAT	1
53	05.290.04	BONDED SEAL 3/8"BSP	2
54	05.123.01	ADAPTOR 1/2" BSP X 3/8" BSP	1
55	10.003.43	HOSE 3/8"BSP ST X ST S.SEAL 3300	1
56	04.056.13	ADAPTOR-SWIVEL TEE 1/2"BSP M/M/F	1
58	02.714.01	ADAPTOR-SWIVEL ST 3/8"BSP M/F	2
61	11.068.69	ADAPTOR-TEE 3/8F-3/8M+3/8M	1
62	05.290.04	BONDED SEAL 3/8"BSP	1
63	8581284	ADAPTOR M22 X 3/8"BSP MF	1
64	8650322	M22 BONDED SEAL	1
65	41715.02	ACCUMULATOR - 1.4LT (20 BAR)	1
66	05.124.01	ADAPTOR 3/8" BSP X 3/8" BSP	1
67	10.004.08	HOSE 3/8"BSP ST X 90 S.SEAL 400	1
68	05.124.01	ADAPTOR 3/8" BSP X 3/8" BSP	1
69	05.290.04	BONDED SEAL 3/8"BSP	1
70	8581284	ADAPTOR M22 X 3/8"BSP MF	1
71	8650322	M22 BONDED SEAL	1
72	41715.01	ACCUMULATOR - 1.4LT (40 BAR)	1
73	05.264.21	SETSCREW M12 X 20MM PLATED	2
73	05.282.03	SPRING WASHER 12MM PLATED	2
*73	41510.01	BRACKET-ACCUMULATOR	1
74	8126035	M33 BULKHEAD NUT 'THIN'	2

*MAIN PART IN GROUP, RELATED PARTS HAVE SAME REFERENCE NUMBER



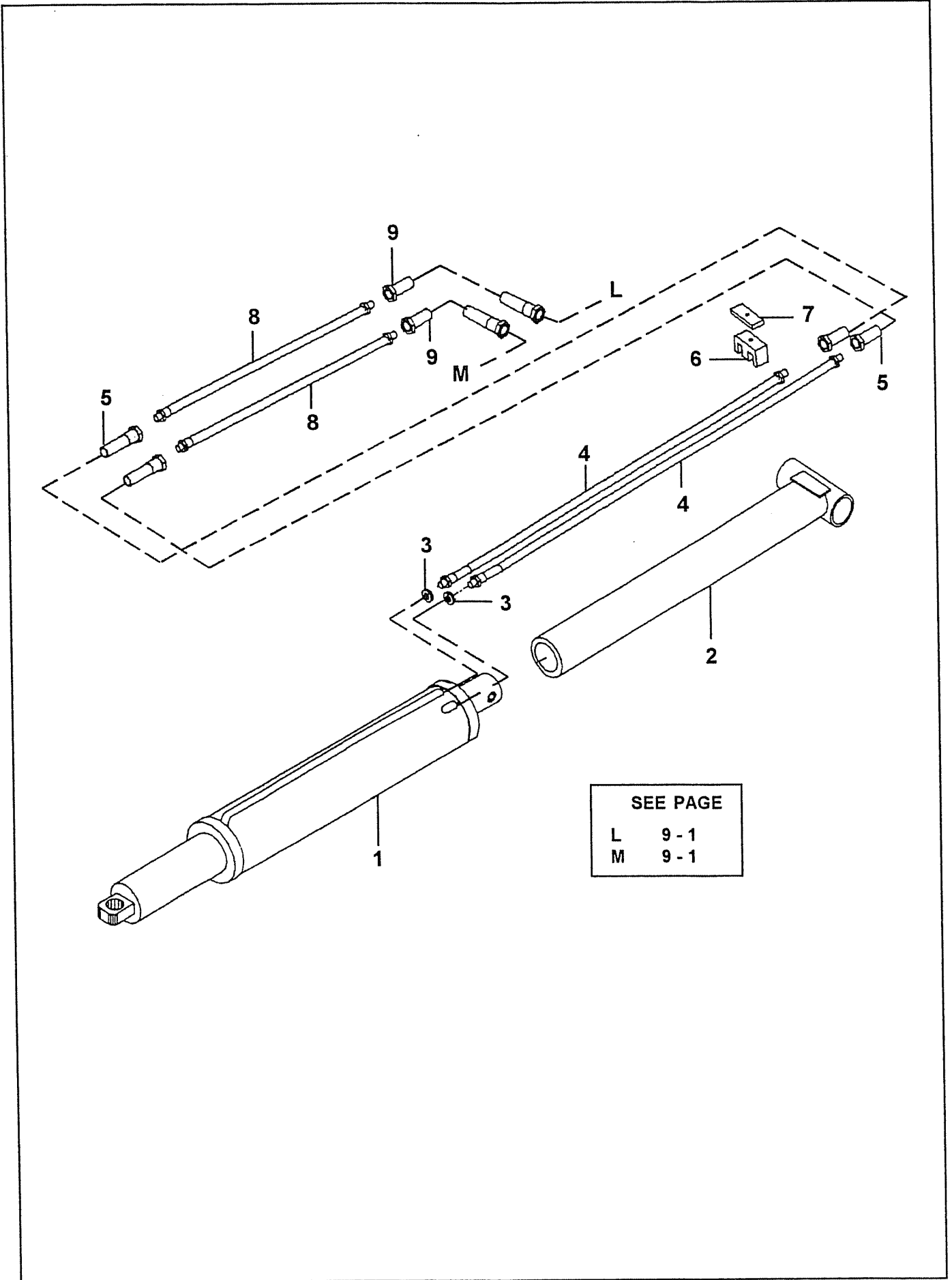
REF	PART NO.	DESCRIPTION	QTY
76.199.04 RAM CIRCUIT - 2ND			
*01	41500.03	RAM D/A 125 BORE 703 STROKE	1
01	05.953.03	GREASE NIPPLE M10	2
01	41500.01	SEAL KIT FOR 41500.XX RAMS	-
02	08.297.01	BUSH - PLASTIC 60 X 50 X 50	4
03	05.290.05	BONDED SEAL 1/2"BSP	2
04	05.123.01	ADAPTOR 1/2" BSP X 3/8" BSP	2
05	10.003.59	HOSE 3/8"BSP STXST S.SEAL 4900	1

*MAIN PART IN GROUP, RELATED PARTS HAVE SAME REFERENCE NUMBER



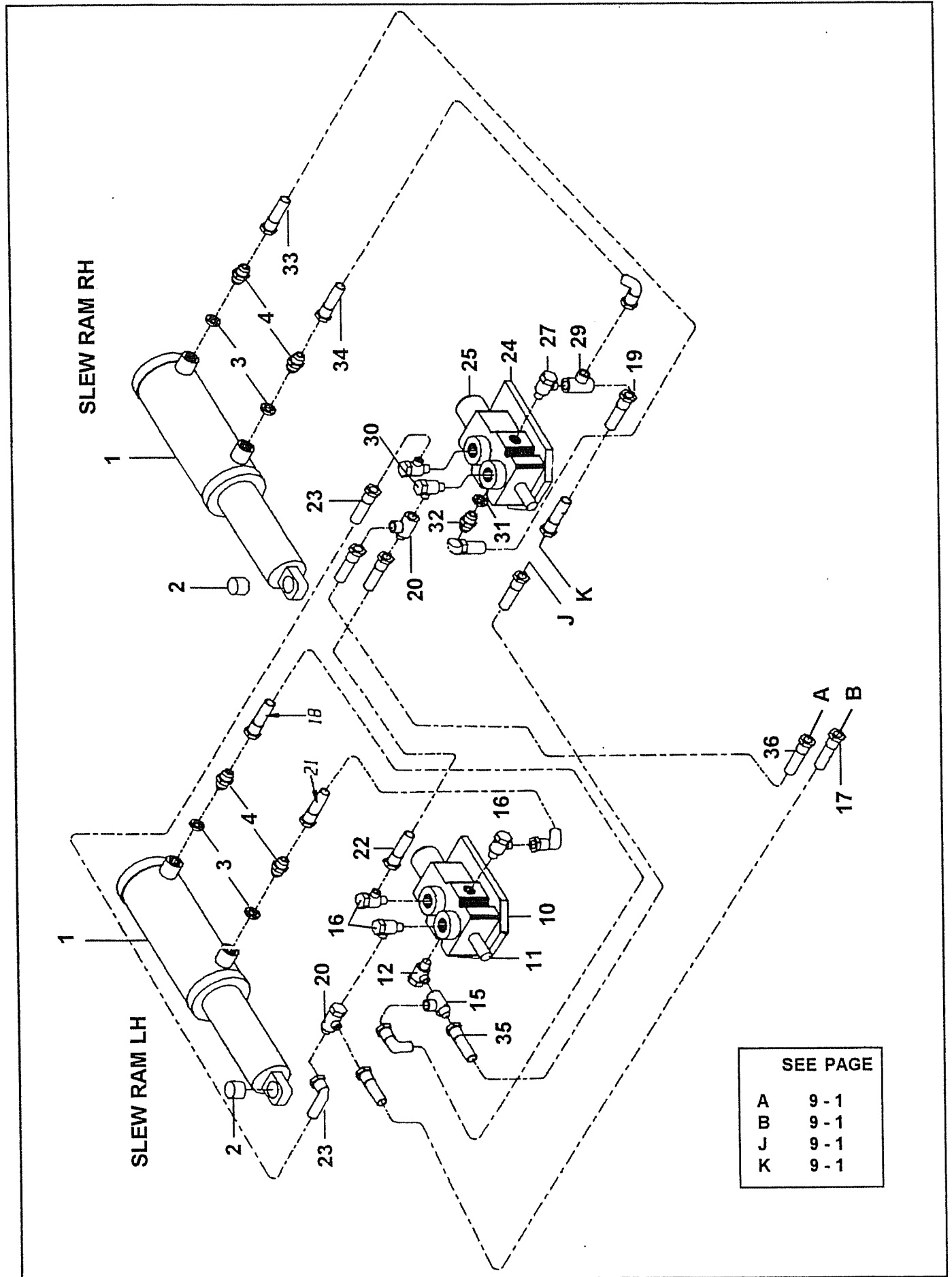
REF	PART NO.	DESCRIPTION	QTY
76.196.02 COWL RAM CIRCUIT			
01	05.953.01	GREASE NIPPLE M6	2
01	06.604.02	SEAL KIT (06.604 RAMS)	-
*01	06.604.36	RAM D/A 80 BORE 445 STROKE	1
02	02.771.04	TENSION BUSH 40 X 35 X 40	2
03	05.290.04	BONDED SEAL 3/8"BSP	1
04	03.028.15	RESTRICTOR 3/8 X 3/8 BSP 1.7MM	1
05	10.004.11	HOSE 3/8"BSP ST X 90 S.SEAL 550	1
06	05.290.04	BONDED SEAL 3/8"BSP	1
07	03.028.15	RESTRICTOR 3/8 X 3/8"BSP 1.7MM	1
08	10.004.08	HOSE 3/8"BSP ST X 90 S.SEAL 400	1
76.197.02 RAM TURNTABLE CIRCUIT			
20	04.271.02	SEAL KIT (04271 RET. RAMS)	-
*20	04.271.17	RAM ASSY D/A 70 BORE X 255 STK	1
20	05.953.01	GREASE NIPPLE M6	2
21	05.290.04	BONDED SEAL 3/8"BSP	2
22	03.028.16	RESTRICTOR 3/8 X 1/4"BSP 1.00MM	2
23	10.002.39	HOSE 1/4"BSP ST X 90 S.SEAL 2900	1
76.198.04 HYD. CIRCUIT - DIVERTER			
*30	41605.01	DIVERTER VALVE 6 PORT 12V	1
30	05.281.10	FLAT WASHER 6MM PLATED	2
30	05.282.07	SPRING WASHER 6MM PLATED	2
30	30.068.87	BOLT M6 X 40 MM 8.8 GRADE Z/P	2
31	05.290.04	BONDED SEAL 3/8"BSP	6
32	01.099.01	ADAPTOR 3/8BSP X 1/4BSP	2
33	02.714.01	ADAPTOR-SWIVEL ST 3/8BSP M/F	1
34	05.124.01	ADAPTOR 3/8" BSP X 3/8" BSP	1
35	05.124.01	ADAPTOR 3/8" BSP X 3/8" BSP	3
36	10.004.08	HOSE 3/8"BSP ST X 90 S.SEAL 400	2
*37	10.003.32	HOSE 3/8"BSP ST X ST S.SEAL 2200	2
37	06.693.01	CABLE TIE - RED	1
37	06.693.04	CABLE TIE - YELLOW	1
38	07.835.02	GASKET FOR HIRSCHMAN CONNECTOR	1
38	07.835.03	SCREW FOR HIRSCHMANN CONNECTOR	1
38	41706.01	CABLE ASSEMBLY - TURNTABLE	1
76.222.02 COWL RAM CIRCUIT			
50	10.003.43	HOSE 3/8"BSP STXST S.SEAL 3300	1
76.197.03 RAM CIRCUIT BSP-TURNTABLE (MAY 1998)			
*20	42414.01	RAM D/A 63 BORE X 330 STROKE	1
20	42414.02	SEAL KIT (42414 RAMS)	-
21	05.290.04	BONDED SEAL 3/8"BSP	2
22	03.028.08	RESTRICTOR 3/8" X 1/4"BSP 1.27	2
23	10.002.42	HOSE 1/4"BSP ST X 90 S.SÉAL	1
24	42612.01	BUSH DU PLAIN 34 X 30 - 35	3

*MAIN PART IN GROUP, RELATED PARTS HAVE SAME REFERENCE NUMBER



REF	PART NO.	DESCRIPTION	QTY
76.194.02 RAM CIRCUIT - TELE			
*01	09.987.04	RAM ASSY 50BORE 1250 STROKE	1
01	09.987.01	SEAL KIT (09987 RAMS)	-
*02	41539.01	PISTON ROD EXTENSION TUBE W/A	1
02	05.287.05	SELF-LOCKING NUT M20 PLATED	1
02	05.291.49	BOLT M20 X 70MM PLATED	1
03	05.290.02	BONDED SEAL 1/4"BSP	2
04	41568.02	EXTENSION TUBE - TELE RAM	2
*05	10.004.24	HOSE 3/8"BSP ST X 90 S.SEAL 1400	1
05	06.693.05	CABLE TIE - ORANGE	1
05	06.693.06	CABLE TIE - BROWN	1
06	06.430.02	CLAMP HOSE 14 X 14	1
*07	06.418.02	CLAMP PLATE 30 X 6 PLATED	1
07	05.291.01	BOLT M8 X 30MM PLATED	1
76.214.02 RAM CIRCUIT - TELE(BASE)			
*08	41615.04	HOSE - 3/8" BSP RIGID	2
08	06.693.05	CABLE TIE - ORANGE	1
08	06.693.06	CABLE TIE - BROWN	1
09	10.003.43	HOSE 3/8"BSP ST X ST S.SEAL 3300	1

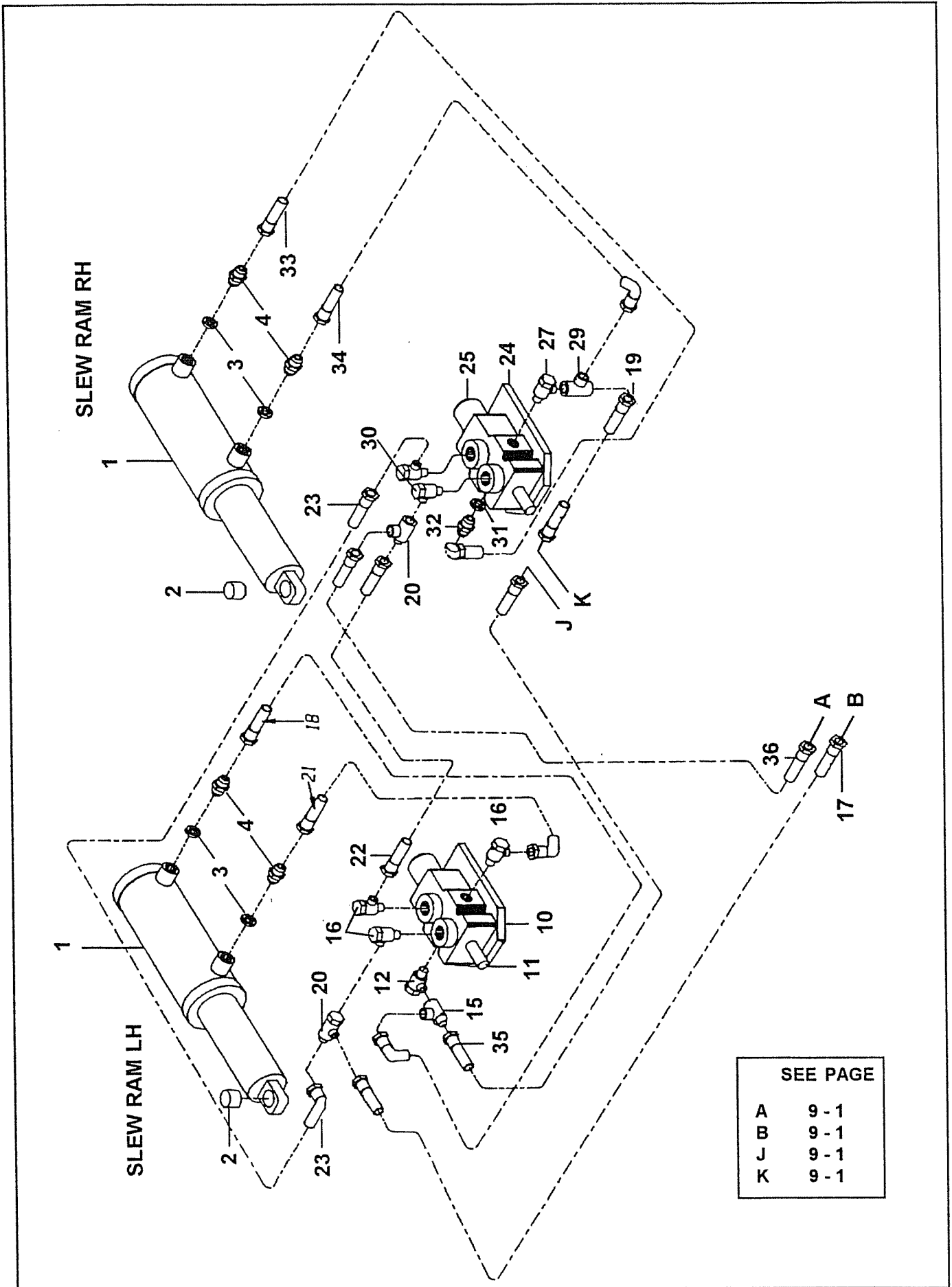
*MAIN PART IN GROUP, RELATED PARTS HAVE SAME REFERENCE NUMBER



SEE PAGE	
A	9-1
B	9-1
J	9-1
K	9-1

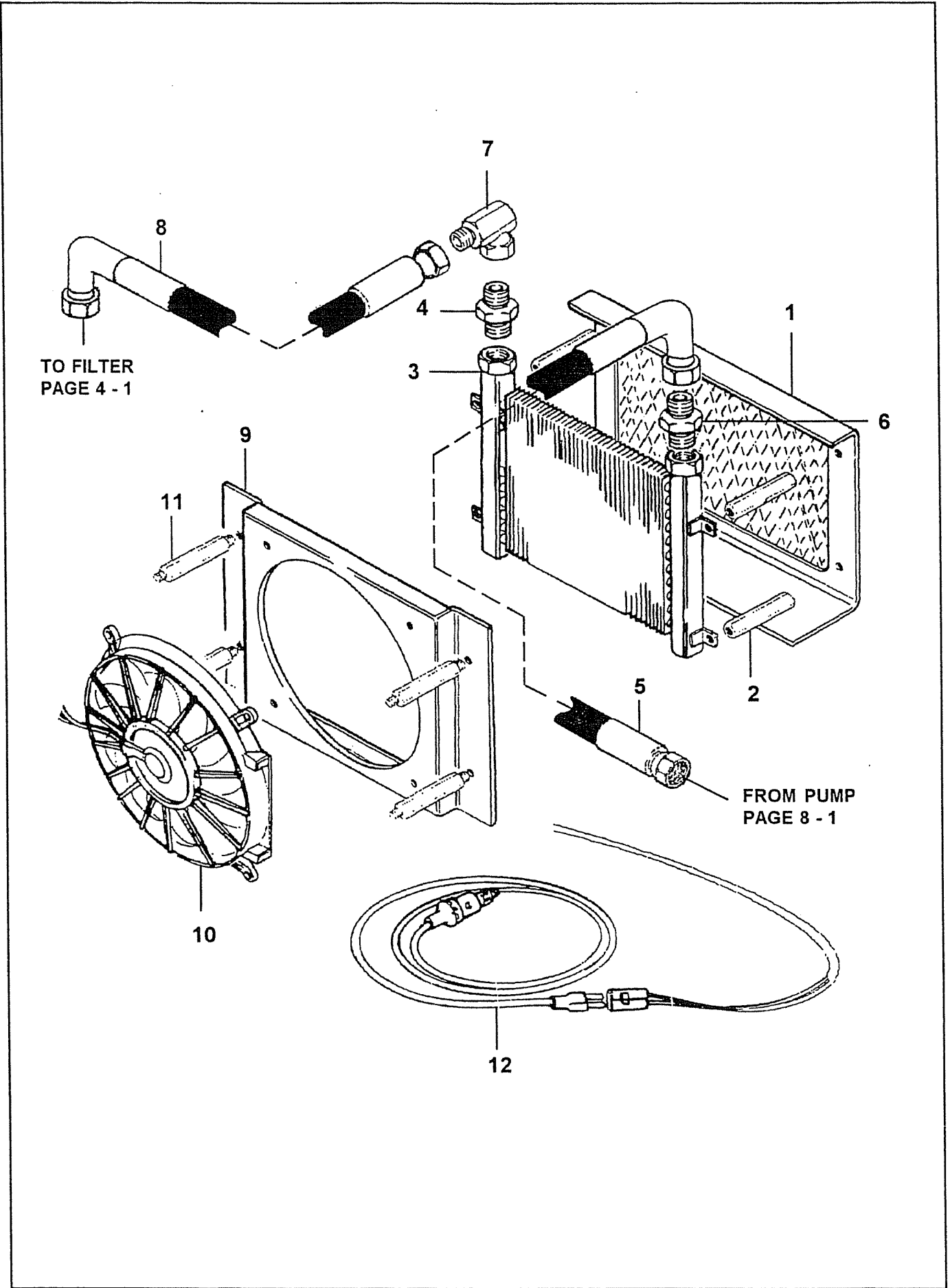
REF	PART NO.	DESCRIPTION	QTY
76.221.02 CAM VALVE ASSEMBLY			
10	05.281.03	FLAT WASHER 12MM PLATED	2
10	05.282.03	SPRING WASHER 12MM PLATED	2
10	05.291.23	BOLT M12 X 40MM PLATED	2
*10	41538.01	PLATE CAM VALVE	1
11	05.282.01	SPRING WASHER 8MM PLATED	2
11	05.291.04	BOLT M8 X 45MM PLATED	2
*11	41537.01	SLEW VALVE	1
12	05.115.01	BANJO BOLT 3/8" BSP	1
*12	05.116.01	BANJO BODY 3/8" BSP	1
12	05.290.04	BONDED SEAL 3/8"BSP	2
15	04.056.16	ADAPTOR F/M/M 3/8 X 3/8 X 1/4 BSP	1
16	05.115.01	BANJO BOLT 3/8" BSP	3
*16	05.290.04	BONDED SEAL 3/8"BSP	6
16	30.065.20	BANJO BODY 1/4 BSP	3
17	10.001.25	HOSE 1/4"BSP ST X ST S.SEAL 1500	1
18	10.002.08	HOSE 1/4"BSP ST X 90 S.SEAL 400	1
19	10.003.23	HOSE 3/8"BSP ST X ST S.SEAL 1300	1
20	04.056.10	ADAPTOR - TEE 1/4"BSP F/M/M	2
21	10.002.11	HOSE 1/4"BSP ST X 90 S.SEAL 550	1
22	10.001.08	HOSE 1/4"BSP ST X ST S.SEAL 400	1
23	10.002.11	HOSE 1/4"BSP ST X 90 S.SEAL 550	1
24	05.281.03	FLAT WASHER 12MM PLATED	2
24	05.282.03	SPRING WASHER 12MM PLATED	2
24	05.291.23	BOLT M12 X 40MM PLATED	2
*24	41538.01	PLATE CAM VALVE	1
25	05.282.01	SPRING WASHER 8MM PLATED	2
25	05.291.04	BOLT M8 X 45MM PLATED	2
*25	41537.01	SLEW VALVE	1
27	05.115.01	BANJO BOLT 3/8" BSP	1
27	05.116.01	BANJO BODY 3/8" BSP	1
27	05.290.04	BONDED SEAL 3/8"BSP	2
29	04.056.16	ADAPTOR F/M/M 3/8 X 3/8 X 1/4 BSP	1
30	05.115.01	BANJO BOLT 3/8" BSP	2
30	05.290.04	BONDED SEAL 3/8"BSP	4
*30	30.065.20	BANJO BODY 1/4 BSP	2
31	05.290.04	BONDED SEAL 3/8"BSP	1
32	01.099.01	ADAPTOR 3/8BSP X 1/4BSP	1
33	10.002.12	HOSE 1/4"BSP ST X 90 S.SEAL 600	1
34	10.002.10	HOSE 1/4"BSP ST X 90 S.SEAL 500	1
35	10.003.28	HOSE 3/8"BSP ST X ST S.SEAL 1800	1
36	10.001.21	HOSE 1/4"BSP ST X ST S.SEAL 1100	1

*MAIN PART IN GROUP, RELATED PARTS HAVE SAME REFERENCE NUMBER



REF	PART NO.	DESCRIPTION	QTY
76.220.02 SLEW RAM CIRCUIT			
*01	08.556.04	HYDRAULIC RAM 90 BORE 214 STRK	2
01	05.953.01	GREASE NIPPLE M6	2
01	08.556.03	SEAL KIT - 90 BORE RAM	-
02	02.771.03	TENSION BUSH 45 X 40 X 50	2
03	05.290.04	BONDED SEAL 3/8"BSP	4
04	01.099.01	ADAPTOR 3/8"BSP X 1/4"BSP	4

***MAIN PART IN GROUP, RELATED PARTS HAVE SAME REFERENCE NUMBER**

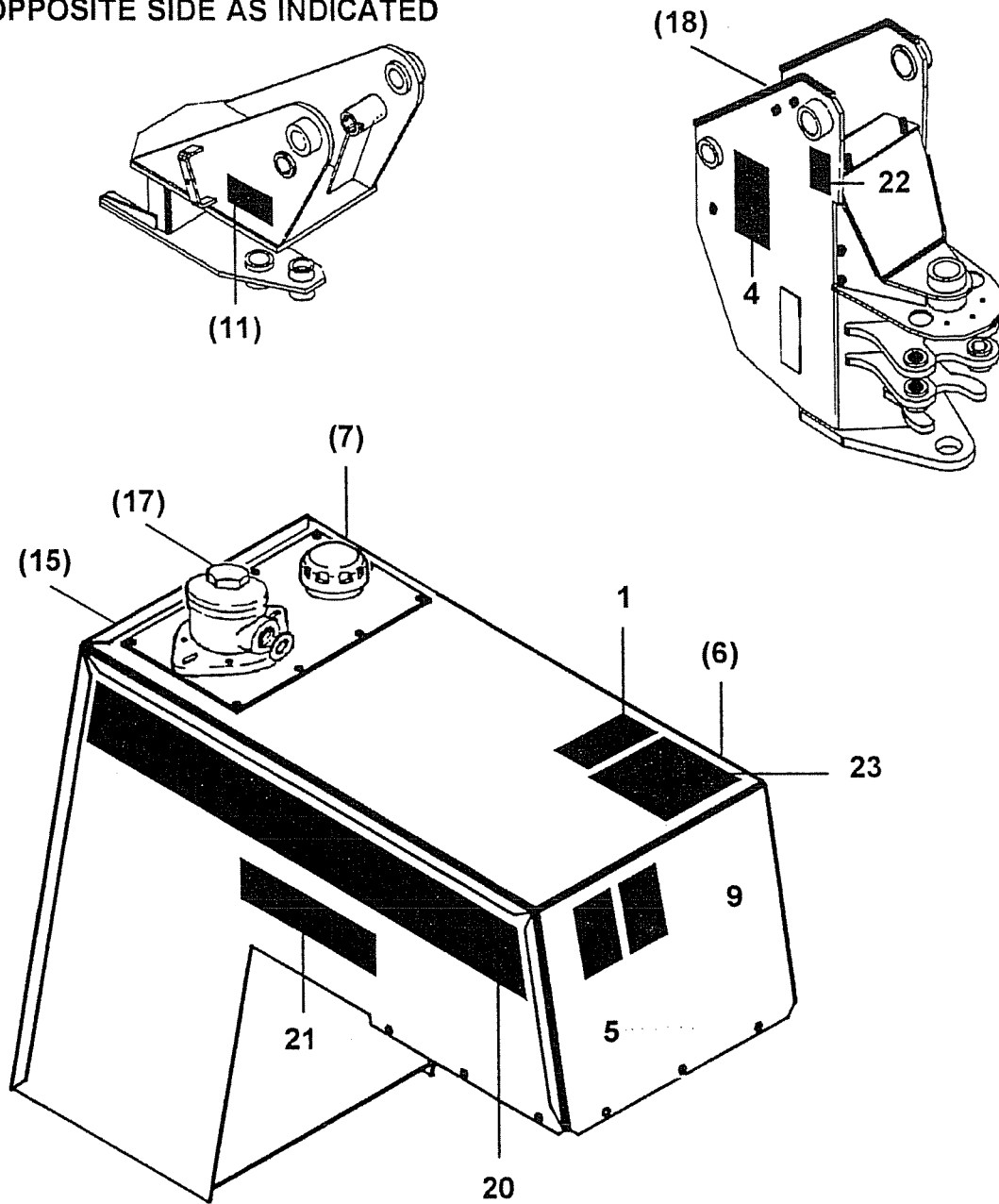


REF	PART NO.	DESCRIPTION	QTY
76.203.02 OIL COOLER ASSY			
*01	09.677.01	COVER - OIL COOLER	1
01	05.264.22	SETSCREW M12 X 25MM PLATED	4
01	05.281.03	FLAT WASHER 12MM PLATED	4
01	05.282.03	SPRING WASHER 12MM PLATED	4
*02	09.676.01	SPACER - 90 X M12 PLATED	4
02	05.282.03	SPRING WASHER 12MM PLATED	4
03	09.433.01	OIL COOLER - 370 X 305	1
04	09.436.03	ADAPTOR 1"NPT X 1"BSP MM	1
05	10.012.25	HOSE 1"BSP ST X 90 S.SEAL 1500	1
06	09.436.03	ADAPTOR 1"NPT X 1"BSP MM	1
07	05.835.02	ADAPTOR-SWIVEL 90 1"BSP M/F	1
08	10.012.10	HOSE 1"BSP ST X 90 S.SEAL 500	1
09	09.900.01	BRACKET - OIL COOLER	1
*10	09.901.01	FAN - 12V ELECTRIC	1
10	05.264.02	SETSCREW M8 X 25MM PLATED	4
10	05.287.01	SELF-LOCKING NUT M8 PLATED	4
*11	09.435.03	SPACER - 130 X M12	4
11	05.282.03	SPRING WASHER 12MM PLATED	4
12	09.679.01	WIRE LOOM	1

*MAIN PART IN GROUP, RELATED PARTS HAVE SAME REFERENCE NUMBER

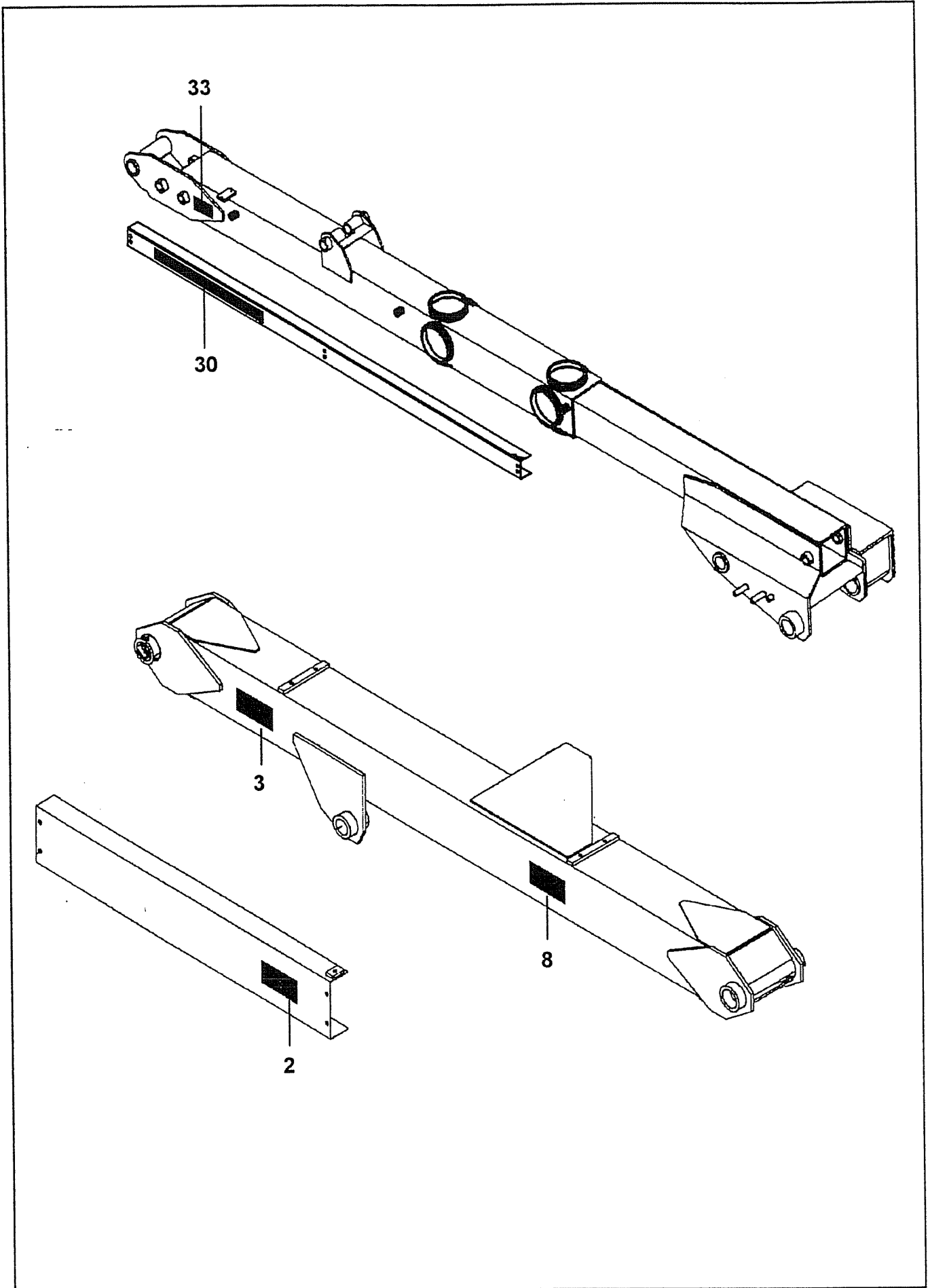
ITEM 18 IS POSITIONED ON FLAT
PLATE BETWEEN SIDES OF KINGPOST

ITEM 11 IS POSITIONED ON
OPPOSITE SIDE AS INDICATED



ITEMS 6, 7, 15 & 17 ARE POSITIONED
ON TOP SIDE OF TANK AS INDICATED

REF	PART NO.	DESCRIPTION	QTY
76.212.01 DECALS - BASE			
01	09.821.01	DECAL - READ INSTRUCTION BOOK	1
02	09.821.02	DECAL - STAY CLEAR O'HD CABLES	1
03	09.821.03	DECAL - DON'T STAND UNDER ARMS	1
04	09.821.06	DECAL - SLEW DANGER	2
05	09.821.07	DECAL - RESIDUAL PRESSURE	1
06	09.821.09	DECAL - HOT SURFACE	1
07	09.821.10	DECAL - KEEP NUTS TIGHT	1
08	09.821.12	DECAL - ARMS HIT CAB (REAR)	1
09	09.821.16	DECAL - KEEP OUT ZONE	1
10	09.821.20	DECAL - SHAFT ENTANGLEMENT	1
11	09.821.23	DECAL - PINCH POINT	1
12	09.810.01	DECAL-GREASE (8 HOURS)	10
13	09.810.04	DECAL - OIL FILLER (SAE 30)	1
14	09.810.05	DECAL - OIL LEVEL	1
15	09.844.01	DECAL - OIL LEVEL	1
16	09.811.05	DECAL - MAX PTO SPEED 1000 ACW	1
17	09.846.01	DECAL - OIL FILTER CHANGE	1
18	09.852.01	DECAL - ARM FLOAT	1
19	08.632.01	DECAL - TRANSPORT	1
20	41712.01	DECAL - BOMFORD	1
21	09.980.15	DECAL - B83-83	1
22	09.843.07	DECAL - LIFT POINT 2000 KG	2
23	41789.01	DECAL - APPROVED OILS	1
76.213.01 DECALS			
30	09.837.01	DECAL - BOMFORD	2
31	09.810.01	DECAL-GREASE (8 HOURS)	15
32	09.843.04	DECAL - LIFT POINT 750 KG	2
33	09.821.23	DECAL - PINCH POINT	1



REF	PART NO.	DESCRIPTION	QTY
76.212.01 DECALS - BASE			
01	09.821.01	DECAL - READ INSTRUCTION BOOK	1
02	09.821.02	DECAL - STAY CLEAR O'HD CABLES	1
03	09.821.03	DECAL - DON'T STAND UNDER ARMS	1
04	09.821.06	DECAL - SLEW DANGER	2
05	09.821.07	DECAL - RESIDUAL PRESSURE	1
06	09.821.09	DECAL - HOT SURFACE	1
07	09.821.10	DECAL - KEEP NUTS TIGHT	1
08	09.821.12	DECAL - ARMS HIT CAB (REAR)	1
09	09.821.16	DECAL - KEEP OUT ZONE	1
10	09.821.20	DECAL - SHAFT ENTANGLEMENT	1
11	09.821.23	DECAL - PINCH POINT	1
12	09.810.01	DECAL-GREASE (8 HOURS)	10
13	09.810.04	DECAL - OIL FILLER (SAE 30)	1
14	09.810.05	DECAL - OIL LEVEL	1
15	09.844.01	DECAL - OIL LEVEL	1
16	09.811.05	DECAL - MAX PTO SPEED 1000 ACW	1
17	09.846.01	DECAL - OIL FILTER CHANGE	1
18	09.852.01	DECAL - ARM FLOAT	1
19	08.632.01	DECAL - TRANSPORT	1
20	41712.01	DECAL - BOMFORD	1
21	09.980.15	DECAL - B83-83	1
22	09.843.07	DECAL - LIFT POINT 2000 KG	2
23	41789.01	DECAL - APPROVED OILS	1
76.213.01 DECALS			
30	09.837.01	DECAL - BOMFORD	2
31	09.810.01	DECAL-GREASE (8 HOURS)	15
32	09.843.04	DECAL - LIFT POINT 750 KG	2
33	09.821.23	DECAL - PINCH POINT	1