

PM956

**B76-76, B81-81**

**ARM MOWER**

**PARTS MANUAL**

ISSUE 1

## IMPORTANT

NOTE HERE THE SERIAL NUMBER OF YOUR MACHINE AND ALWAYS QUOTE IT IN ANY COMMUNICATION WITH US OR YOUR DEALER. THIS IS PARTICULARLY IMPORTANT WHEN ORDERING SPARES. REMEMBER TO INCLUDE ALL NUMBERS AND LETTERS.

MACHINE SERIAL NUMBERS \_\_\_\_\_

THE INFORMATION GIVEN THROUGHOUT THIS MANUAL IS CORRECT AT THE TIME OF PUBLICATION. HOWEVER, IN THE COURSE OF CONSTANT DEVELOPMENT OF BOMFORD TURNER MACHINES, CHANGES IN SPECIFICATION ARE INEVITABLE. SHOULD YOU FIND THE INFORMATION GIVEN IN THIS BOOK TO BE AT VARIANCE WITH THE MACHINE IN YOUR POSSESSION, YOU ARE ADVISED TO CONTACT THE BOMFORD TURNER SERVICE DEPARTMENT WHERE UP-TO-DATE INFORMATION WILL BE PROVIDED.

THE MANUAL CAN CONTAIN STANDARD AND OPTIONAL FEATURES AND IS NOT TO BE USED AS A MACHINE SPECIFICATION.

THE MACHINE HAS BEEN TESTED AND IS CONSIDERED SAFE IF CAREFULLY USED. ENSURE YOUR OPERATOR IS PROPERLY TRAINED IN ITS USE AND MAINTENANCE.

## IMPORTANT

NOTEZ ICI LES NUMEROS DE SERIE DE VOTRE MACHINE ET MENTIONNEZ LES DANS TOUTE COMMUNICATION AVEC NOS SERVICES OU VOTRE REVENDEUR. CECI EST IMPORTANT POUR LA COMMANDE DE PIECES DETACHEES. PENSEZ A NOTER TOUS LES NUMEROS ET TOUTES LES LETTERS.

NUMEROS DE SERIE DE LA MACHINE \_\_\_\_\_

LES INFORMATIONS DONNEES DANS CE MANUEL SONT CORRECTES CEPENDANT, DU FAIT DE DEVELOPPEMENT CONSTANT DES MACHINES BOMFORD TURNER.

CHANGEMENTS DANS LES CARACTERISTIQUES SONT INEVITABLES.

SI VOUS TROUVEZ QUE LES INFORMATIONS DONNEES NE CORRESPONDENT PAS A VOTRE MACHINE VEUILLEZ CONTACTER LE SERVICE DES REPARATIONS OU DES INFORMATIONS PLUS RECENTES VOUS SERONT DONNEES. CE MANUEL PEUT MONTRER DES CARACTERISTIQUES OPTIONNELLES ET NE PEUT PAS ETRE CONSIDERE COMME SPECIFICATION DE LA MACHINE.

CETTE MACHINE A ETE TESTEE, ET ELLE EST CONSIDEREE COMME FIABLE A CONDITION D'UNE BONNE UTILISATION. ASSUREZ-VOUS QUE VOTRE OPERATEUR EST QUALIFIE EN CE QUI CONCERNE L'UTILISATION DE LA MACHINE AINSI QUE SON ENTRETIEN.

## WICHTIG

TRAGEN SIE HIER DIE SERIENNUMMERN IHRER MASCHINE EIN UND GEBEN SIE DIESE IMMER AN, WENN SIE SICH AN UNS ODER IHREN HÄNDLER WENDEN. DAS IST BESONDERS BEI ERSATZTEILBESTELLUNGEN WICHTIG. VERGESSEN SIE NICHT, ALLE ZAHLEN UND BUCHSTABEN ZU NOTIEREN.

SERIENNUMMERN DER MASCHINE \_\_\_\_\_

DIE ANGABEN IN DIESEM HANDBUCH SIND BEI VERÖFFENTLICHUNG KORREKT. AUFGRUND DER KONSTANTEN WEITERENTWICKLUNG VON BOMFORD TURNER MASCHINEN SIND JEDOCHÄNDERUGDEN IN DER SPEZIFIKATION UNVERMEIDLICH. WENN DIE INFORMATION IN DIESEM HANDBUCH NICHT MIT IHRER MASCHINE ÜBEREINSTIMMEN, NEHMEN SIE BITTE KONTAKT MIT DER BOMFORD TURNER KUNDENDIENSTABTEILUNG AUF, DIE IHNEN GERNE DIE AKTUELLEN INFORMATION ZUKOMMEN LÄSST.

DAS HANDBUCH KANN SOWOHL BESCHREIBUNGEN FÜR DIE STANDARD AUSFÜHRUNG ALS AUCH FÜR ZUBEHÖR ENTHALTEN UND IST NICHT ALS MASCHINENSPEZIFIKATION ZU VERWENDET. DIE MASCHINE IST GETESTET UND BEI SACHGEMÄSSEM BETRIEB ALS SICHER BEFUNDEN WORDEN. SORGEN SIE DAFÜR, DASS IHR BEDIENPERSONAL IN ANWENDUNG UND WARTUNG RICHTIG GESCHULT WIRD.

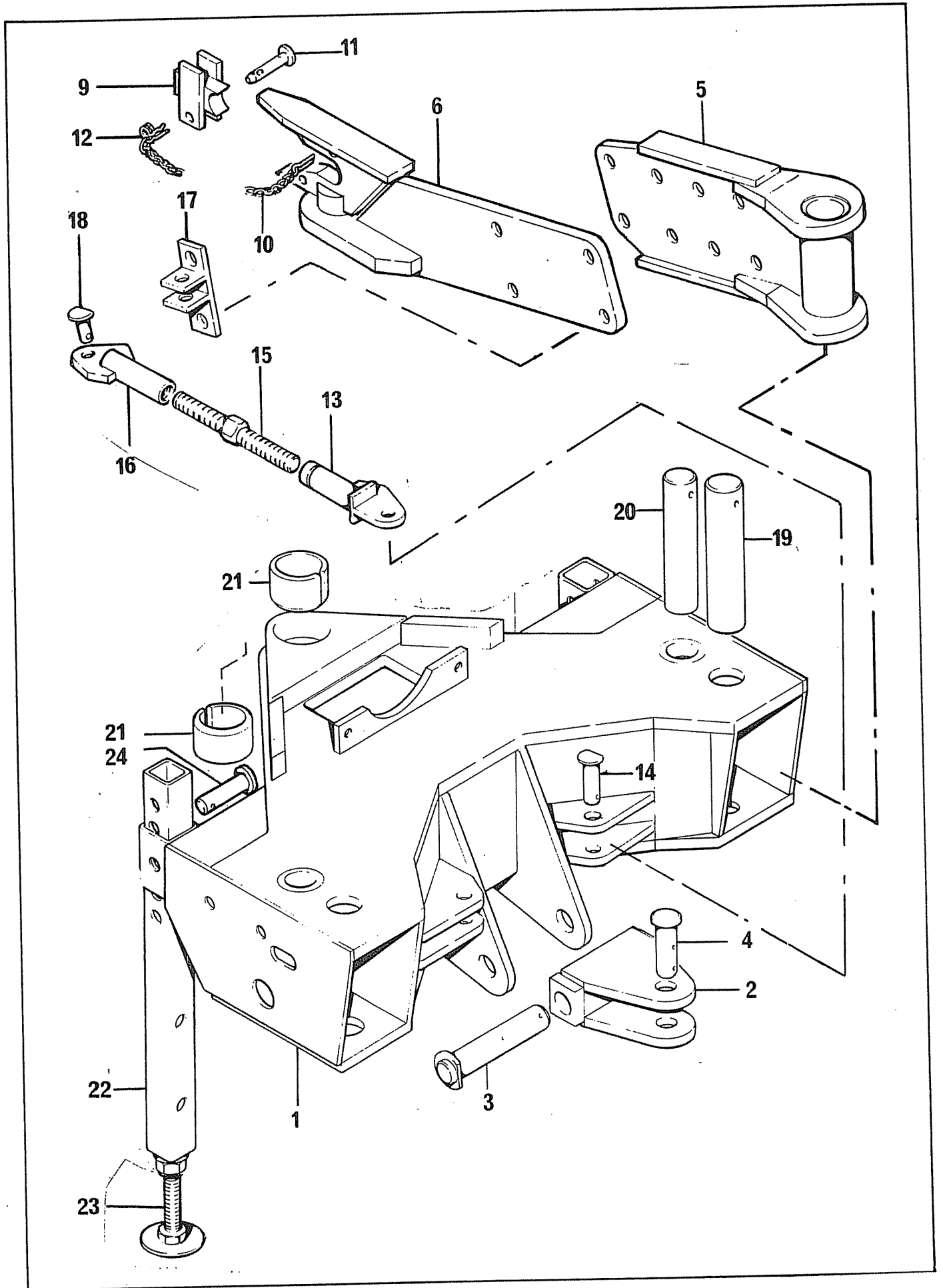
PAGE NO.	TITLE
2-1 TO 2-2	MAINFRAME ASSEMBLY
3-1 TO 3-2	TANK ASSEMBLY
4-1 TO 4-4	KINGPOST ASSEMBLY
5-1 TO 5-2	PUMPS, GEARBOX & PTO ASSEMBLIES
6-1 TO 6-2	PUMP CIRCUIT
6-3 TO 6-4	PUMP CIRCUIT (D.S.R. VALVE )
7-1 TO 7-2	CONTROL VALVE ASSEMBLY
8-1 TO 8-2	REMOTE CONTROL ASSEMBLY
9-1 TO 9-3	RAM CIRCUIT: FIRST SLEW
9-4 TO 9-5	RAM CIRCUIT: SECOND SLEW
9-6 TO 9-7	RAM CIRCUIT: COWL AND TURNTABLE
9-8 TO 9-9	RAM CIRCUIT: SECOND RAM AND TELESCOPIC RAM
10-1 TO 10-2	FIRST ARM ASSEMBLY
11-1 TO 11-2	TELESCOPIC ARM OUTER ASSEMBLY
12-1 TO 12-2	TELESCOPIC ARM INNER ASSEMBLY
13-1 TO 13-3	POWERED TURNTABLE, RAM AND COWL ANGLING ASSEMBLY
14-1 TO 14-2	DECALS - BASE B76-76, B81-81
15-1 TO 15-2	ACCUMULATOR KIT

## IMPORTANT

IT IS POTENTIALLY HAZARDOUS TO FIT OR USE  
ANY PARTS OTHER THAN GENUINE BOMFORD TURNER PARTS.

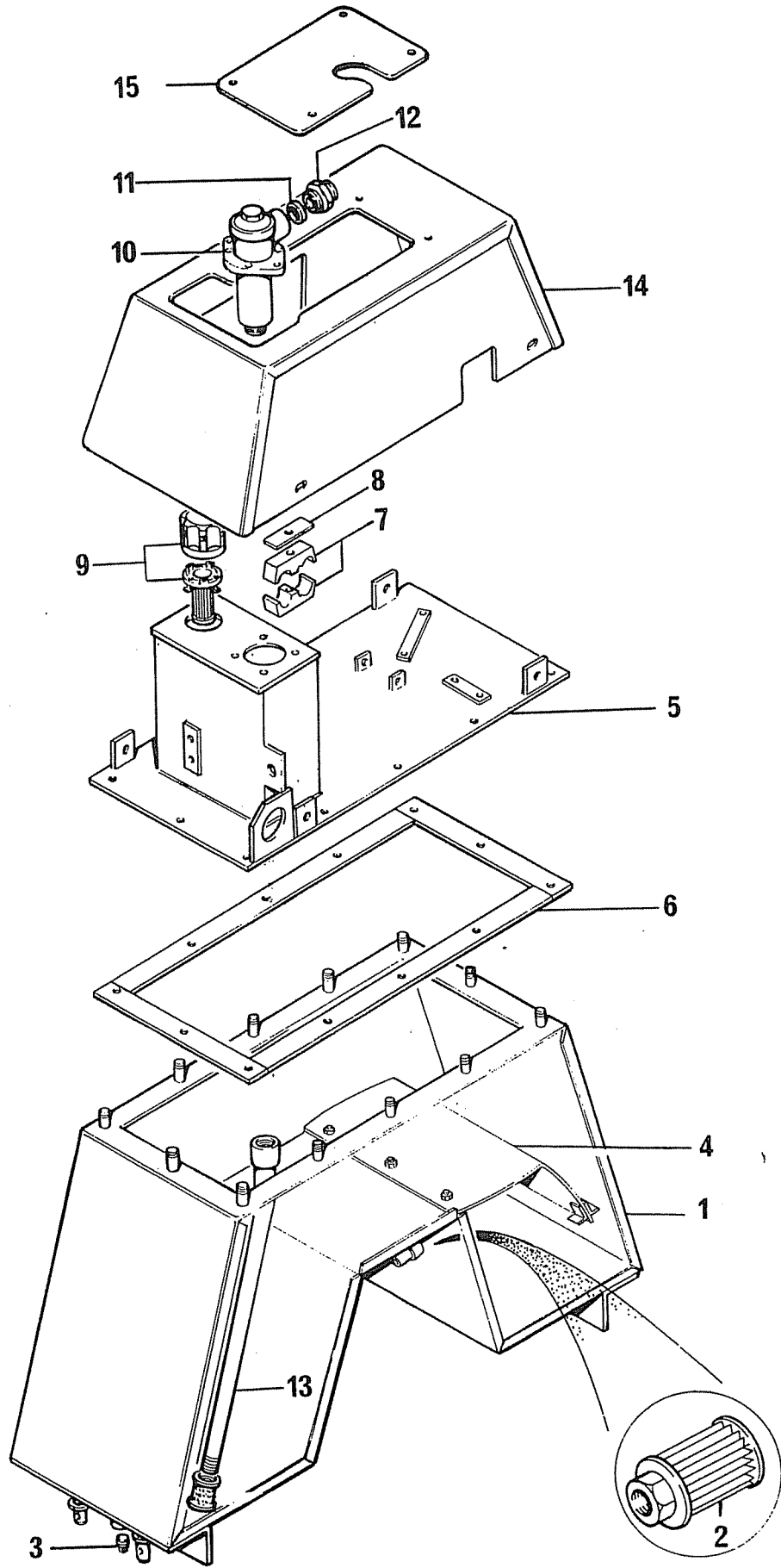
THE COMPANY DISCLAIMS ALL LIABILITY FOR THE  
CONSEQUENCES OF SUCH USE, WHICH IN ADDITION  
VOIDS THE MACHINE WARRANTY.

THIS MACHINE IS FOR VEGETATION CONTROL AND  
MUST NOT BE USED FOR ANY OTHER PURPOSE.



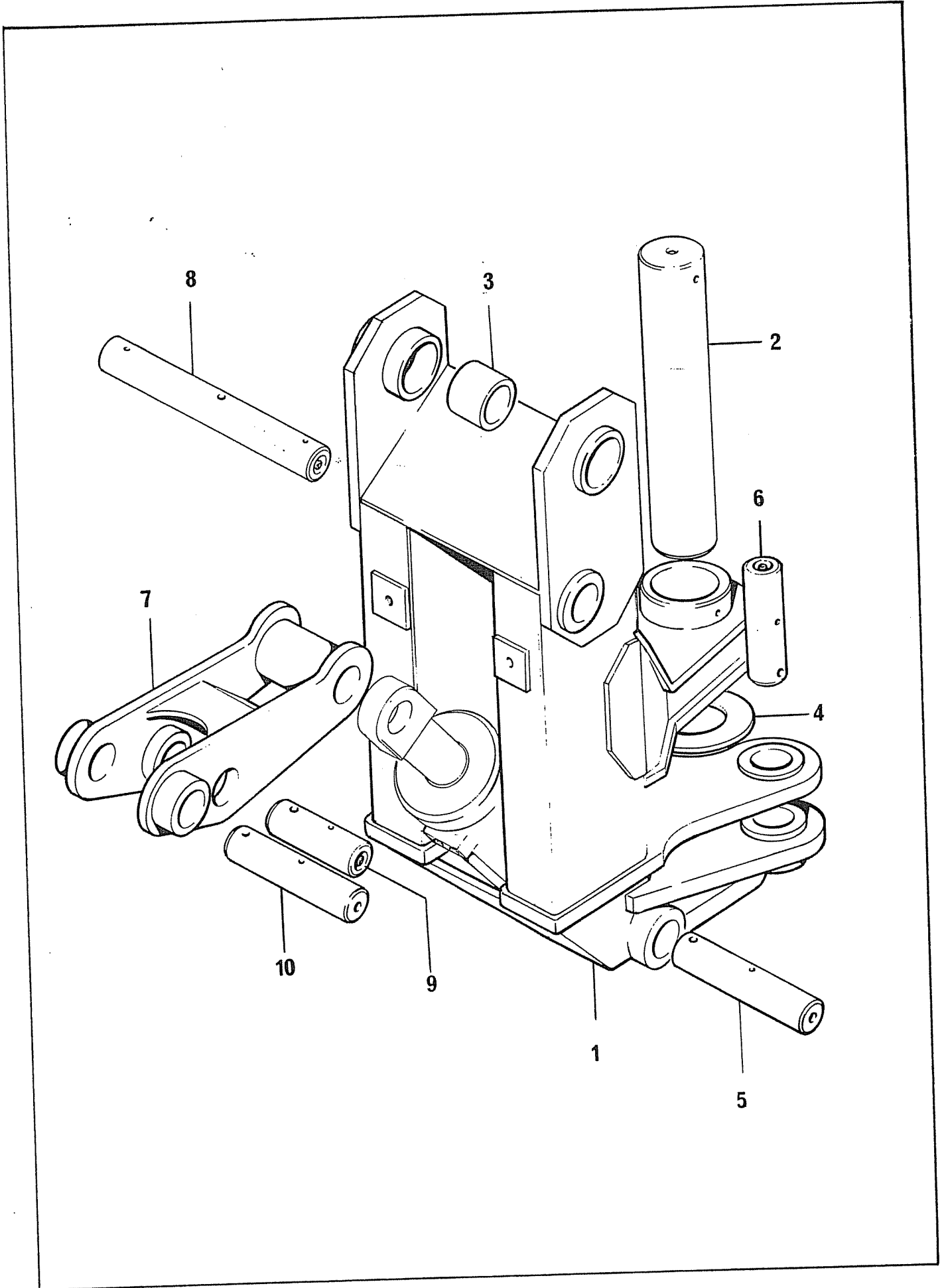
REF	PART NO.	DESCRIPTION	QTY	SERIAL NO. FROM - TO
70.795.01		MAINFRAME ASSEMBLY		
01	03.786.01	INSTRUCTION PLATE-GREASE M6	2	
01	05.227.01	HAMMER DRIVE SCREW NO.6 X 3/8"	2	
01	05.774.05	SERIAL No.PLATE BOMFORD TURNER	1	
01	05.953.01	GREASE NIPPLE M6	2	
*01	08.536.01	MAINFRAME	1	
*02	03.644.01	YOKE BRACKET	1	
*03	03.654.01	PIN 30 DIA X 198	1	
03	03.786.02	INSTRUCTION PLATE-GREASE M10	1	
03	05.284.14	SPLIT COTTER 5MM X 40MM	1	
03	05.953.03	GREASE NIPPLE M10	1	
*04	03.654.02	PIN 30 DIA X 94	1	
04	03.786.02	INSTRUCTION PLATE-GREASE M10	1	
04	05.284.16	SPLIT COTTER 5MM X 50MM	1	
04	05.953.03	GREASE NIPPLE M10	1	
05	03.786.01	INSTRUCTION PLATE-GREASE M6	2	
05	05.953.01	GREASE NIPPLE M6	2	
*05	08.543.01	PIVOT GATE	2	
*06	03.752.01	MOUNTING FORK	2	
06	05.282.05	SPRING WASHER 20MM PLATED	8	
06	05.286.05	NUT M20 PLATED	8	
06	05.292.41	BOLT M20 X 80MM PLATED	8	
*09	03.719.01	CATCH PLATE	2	
*10	03.255.05	CHAIN-RING ASSY	2	
*11	03.650.01	PIN 12 DIA X 68	2	
*12	05.964.01	SPRING COTTER 3.6MM DIA	2	
*13	03.805.01	BRACKET-TIE ROD L.H.	2	
*14	03.652.03	PIN 20 DIA X 79	2	
14	05.284.03	SPLIT COTTER 3.2MM X 36MM	2	
*15	03.804.01	TURNBUCKLE PLATED	2	
15	05.286.06	NUT M24 PLATED	2	
*16	03.806.01	BRACKET-TIE ROD R.H.	2	
*17	03.720.01	BRACKET-TIE ROD	2	
*18	03.652.02	PIN 20 DIA X 53	2	
18	05.284.03	SPLIT COTTER 3.2MM X 36MM	2	
*19	03.657.23	PIN - DIA 50 X 270	2	
19	05.282.03	SPRING WASHER 12MM PLATED	2	
19	05.286.03	NUT M12 PLATED	2	
19	05.292.22	BOLT M12 X 90MM PLATED	2	
*20	03.656.48	PIN - DIA 40 X 244	2	
20	05.282.02	SPRING WASHER 10MM PLATED	2	
20	05.286.02	NUT M10 PLATED	2	
20	05.292.11	BOLT M10 X 80MM PLATED	2	
*21	02.771.12	TENSION BUSH 85 X 70 X 50	2	
*22	08.651.01	STAND - PARKING	2	
*23	30.141.34	ADJUSTER FOOT	2	
24	00.372.01	LINCH PIN	4	
*24	03.652.01	PIN 20 DIA X 90	4	

\*MAIN PART IN GROUP, RELATED PARTS HAVE SAME REFERENCE NUMBER.



REF	PART NO.	DESCRIPTION	QTY	SERIAL NO. FROM - TO
70.796.01 TANK ASSEMBLY				
01	05.264.45	SETSCREW M20 X 40MM PLATED	2	
01	05.281.05	FLAT WASHER 20MM PLATED	2	
01	05.282.05	SPRING WASHER 20MM PLATED	2	
01	05.286.05	NUT M20 PLATED	2	
*01	08.539.01	TANK	1	
01	30.216.54	RIVNUT M8 FLAT HD 16.0 LG	3	
*02	05.367.02	FILTER - SUCTION	1	
*03	05.495.01	PLUG 1/2"BSPT PLATED	2	
04	05.281.01	FLAT WASHER 8MM PLATED	3	
04	05.282.01	SPRING WASHER 8MM PLATED	3	
*04	08.546.01	TANK BAFFLE	1	
04	08.621.01	THUMB SCREW - M8 X 25	3	
05	05.281.01	FLAT WASHER 8MM PLATED	12	
05	05.282.01	SPRING WASHER 8MM PLATED	12	
05	05.286.01	NUT M8 PLATED	12	
*05	08.540.01	TANK TOP	1	
*06	08.549.01	GASKET	1	
07	04.282.53	STUD M8 X 75	1	
07	05.281.01	FLAT WASHER 8MM PLATED	1	
07	05.282.01	SPRING WASHER 8MM PLATED	1	
07	05.286.01	NUT M8 PLATED	1	
*07	06.430.01	CLAMP HOSE 38 X 28	2	
*08	06.418.01	CLAMP PLATE 95 X 6	1	
*09	06.966.01	BREATHER CAP & STRAINER ASSY	1	
10	05.282.07	SPRING WASHER 6MM PLATED	4	
10	05.625.09	SOCKET-CAPSCREW M6 X 25MM PLATED	4	
10	06.516.04	GASKET	-	
10	06.516.22	FILTER ELEMENT	-	
*10	06.516.24	FILTER ASSEMBLY	1	
*11	05.290.07	BONDED SEAL 1"BSPT	1	
*12	05.434.01	ADAPTOR 1"BSPT X 1"BSPT	1	
*13	08.623.01	PIPE - FILTER EXTENSION	1	
*14	08.622.01	COVER-TANK TOP	1	
14	05.264.11	SETSCREW M10 X 20MM PLATED	4	
14	05.281.02	FLAT WASHER M10	4	
14	05.282.02	SPRING WASHER M10	4	
15	30.216.54	RIVNUT M8 FLAT HD 16.0 LG	5	
*15	08.791.01	COVER PLATE-PLATE	1	
15	05.264.02	SETSCREW M8 X 25MM PLATED	5	
15	05.281.01	FLAT WASHER M8 PLATED	5	
15	05.282.01	SPRING WASHER 8MM PLATED	5	

\*MAIN PART IN GROUP, RELATED PARTS HAVE SAME REFERENCE NUMBER.





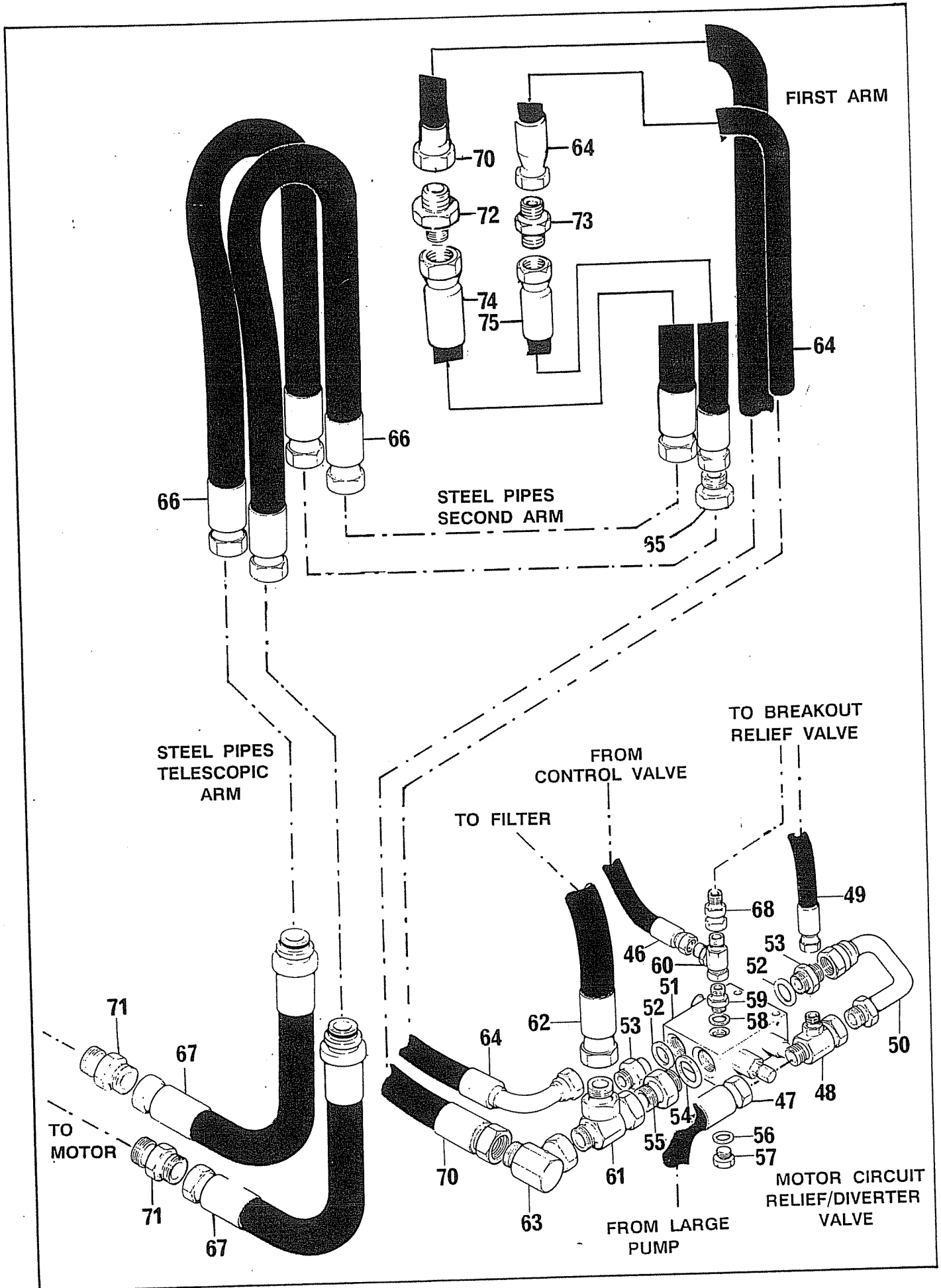
REF	PART NO.	DESCRIPTION	QTY	SERIAL NO. FROM - TO
70.797.01		KINGPOST ASSEMBLY		
*01	08.537.01	KINGPOST	1	
*02	03.658.04	PIN - DIA 70 X 426	1	
02	05.282.03	SPRING WASHER 12MM PLATED	1	
02	05.286.03	NUT M12 PLATED	1	
02	05.292.25	BOLT M12 X 120MM PLATED	1	
*03	08.297.01	BUSH - PLASTIC 60 X 50 X 50	2	
*04	08.541.01	THRUST WASHER	1	
*05	03.656.45	PIN - DIA 40 X 212	1	
05	03.786.01	INSTRUCTION PLATE-GREASE M6	1	
05	05.282.02	SPRING WASHER 10MM PLATED	1	
05	05.286.02	NUT M10 PLATED	1	
05	05.292.11	BOLT M10 X 80MM PLATED	1	
05	05.953.01	GREASE NIPPLE M6	1	
*06	03.656.47	PIN - DIA 40 X 148	2	
06	03.786.01	INSTRUCTION PLATE-GREASE M6	2	
06	05.282.02	SPRING WASHER 10MM PLATED	2	
06	05.286.02	NUT M10 PLATED	2	
06	05.292.11	BOLT M10 X 80MM PLATED	2	
06	05.953.01	GREASE NIPPLE M6	2	
*07	08.538.01	EXTENSION BRACKET	1	
*08	03.656.42	PIN - DIA 40 X 336	1	
08	03.786.01	INSTRUCTION PLATE-GREASE M6	2	
08	05.282.02	SPRING WASHER 10MM PLATED	1	
08	05.286.02	NUT M10 PLATED	1	
08	05.292.11	BOLT M10 X 80MM PLATED	1	
08	05.953.01	GREASE NIPPLE M6	2	
*09	03.656.43	PIN - DIA 40 X 127	1	
09	03.786.01	INSTRUCTION PLATE-GREASE M6	1	
09	05.282.02	SPRING WASHER 10MM PLATED	1	
09	05.286.02	NUT M10 PLATED	1	
09	05.292.11	BOLT M10 X 80MM PLATED	1	
09	05.953.01	GREASE NIPPLE M6	1	
*10	03.656.46	PIN - DIA 40 X 193	1	
10	03.786.01	INSTRUCTION PLATE-GREASE M6	1	
10	05.282.02	SPRING WASHER 10MM PLATED	1	
10	05.286.02	NUT M10 PLATED	1	
10	05.292.11	BOLT M10 X 80MM PLATED	1	
10	05.953.01	GREASE NIPPLE M6	1	

\*MAIN PART IN GROUP, RELATED PARTS HAVE SAME REFERENCE NUMBER.



REF	PART NO.	DESCRIPTION	QTY	SERIAL NO. FROM - TO
70.824.01		GEARBOX & PTO ASSEMBLIES		
*01	04.402.01	PTO SHAFT ASSY 560MM C/C	1	
01	04.402.02	PTO GUARD ASSY 560MM C/C	1	
01	06.154.13	PTO JOURNAL BEARING KIT	1	
02	05.264.22	SETSCREW M12 X 25MM PLATED	4	
02	05.281.03	FLAT WASHER 12MM PLATED	4	
02	05.282.03	SPRING WASHER 12MM PLATED	4	
*02	07.727.01	GEARBOX ASSY - 100 LIT TWIN/P	1	-3531D
*02	07.727.03	GEARBOX ASSY - 428 1 SPLINE 1PX/ZP	1	-3532D
03	05.264.24	SETSCREW M12 X 35MM PLATED	2	
03	05.281.03	FLAT WASHER 12MM PLATED	2	
03	05.282.03	SPRING WASHER 12MM PLATED	2	
03	05.286.03	NUT M12 PLATED	2	
*03	07.728.01	PLATE - GEARBOX MOUNTING	1	
04	05.281.01	FLAT WASHER 8MM PLATED	2	
04	05.282.01	SPRING WASHER 8MM PLATED	2	
*04	08.548.01	GUARD - PLASTIC PTO CUP	1	
04	30.068.95	SCREW M8 X 12 8.8 GRADE Z/P	2	
70.799.01		PUMP ASSEMBLY		
20	01.071.13	KEY-SEP 1/4" X 1/4" X 1"	-	
20	05.642.02	SEAL KIT (05 650 PUMPS)	-	
*20	05.650.02	PUMP ASSY (207 BAR)	1	-3531D
*20	05.537.01	GEAR PUMP - (ULTRA) 1PX070	1	-3532D
*21	05.656.03	"O"RING 28 I/D X 2.5	1	
*22	03.864.01	ADAPTOR-FLANGED 3/4"BSP PLATED	1	
22	05.282.01	SPRING WASHER 8MM PLATED	4	
22	05.657.01	SCKT CAPSCRW 5/16"UNC X 7/8" PLT	4	
23	05.282.01	SPRING WASHER 8MM PLATED	2	
23	05.657.01	SCKT CAPSCRW 5/16"UNC X 7/8" PLT	2	
*23	30.210.83	CONNECTOR 2P E10 IN	1	
*24	30.210.84	'O' RING (FOR 2PE10 IN)	1	
*25	05.640.01	ADAPTOR 1.1/2"BSP X 1.1/4"BSP	1	
*26	03.100.01	STUD M10 X 34MM	4	
26	05.282.02	SPRING WASHER 10MM PLATED	4	
26	05.286.02	NUT M10 PLATED	4	
*27	05.290.08	BONDED SEAL 1.1/4" BSP	1	
*28	05.863.02	JUBILEE CLIP 2"DIA	2	
*29	06.288.07	HOSE 1.1/2" BORE X 520MM	1	
*30	06.415.01	PUMP-SPARE ALSO SUPPLY 0716701	1	-3531D
*30	05.650.03	PUMP-SPARE ALSO SUPPLY 0716701	1	-3532D
30	06.415.02	SEAL KIT (06415 PUMP)	-	
*31	30.210.92	"O" RING	1	
*32	02.714.04	ADAPTOR - 1/2"BSP M-F SWIV. ST	1	
*33	05.835.05	ADAPTOR-SWIVEL 90 1/2"BSP M/F	1	
*34	04.244.01	ADAPTOR 1/2"BSP X 3/4"O/D	1	
*36	09.745.01	ADAPTOR FLANGE 3/8" BSP PLATED	1	
*37	08.565.01	HOSE - STEEL SUCTION	1	
*38	05.863.03	JUBILEE CLIP 25MM DIA	2	
*39	05.983.10	HOSE 3/4"BORE X 220MM	1	
*46	05.991.16	HOSE 3/8" BSP X 800MM ST X 90	1	
*47	05.290.05	BONDED SEAL 1/2" BSP.	1	
*48	05.123.01	ADAPTOR 1/2" X 3/8" BSP	1	

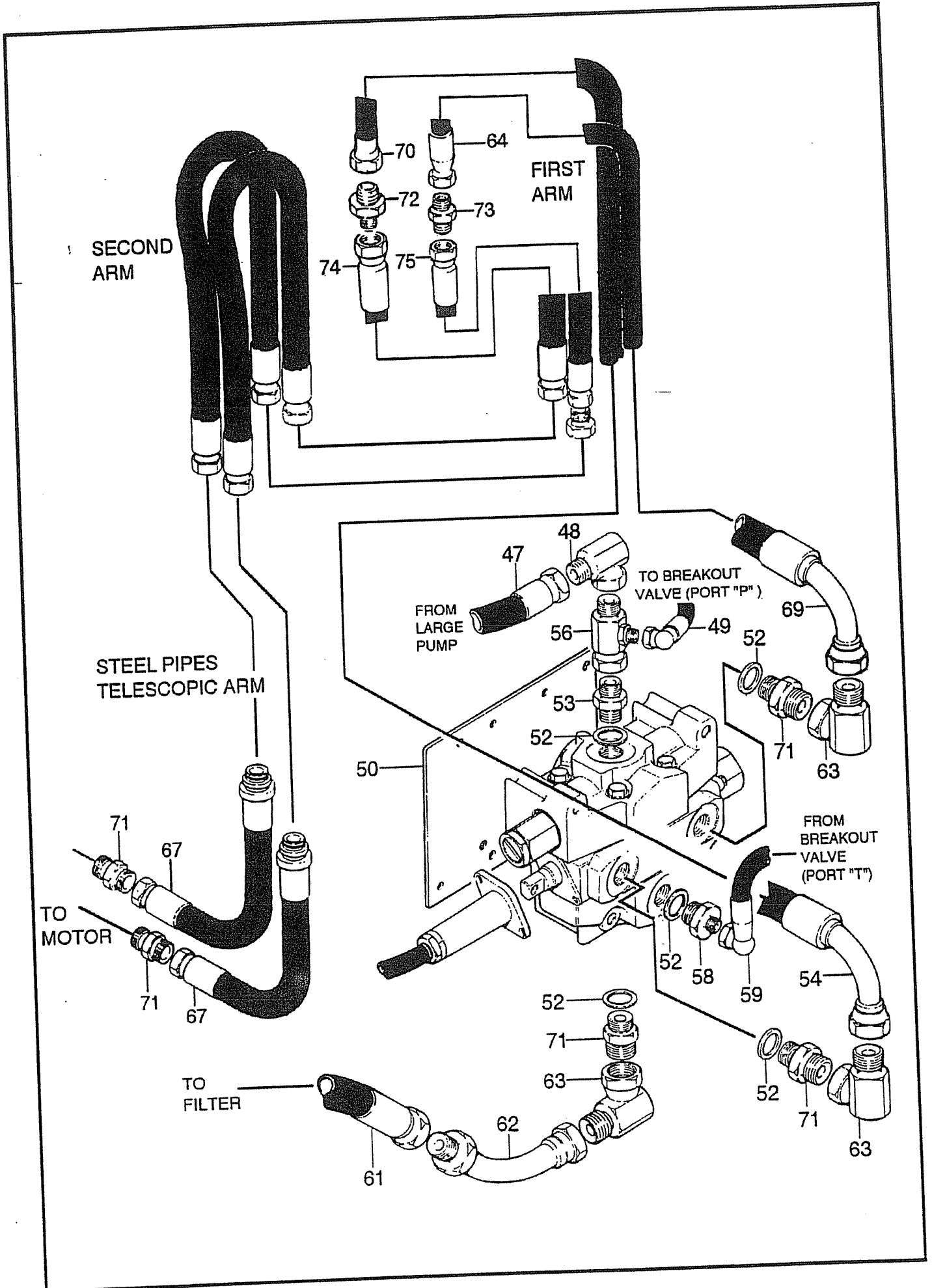
\*MAIN PART IN GROUP, RELATED PARTS HAVE SAME REFERENCE NUMBER.



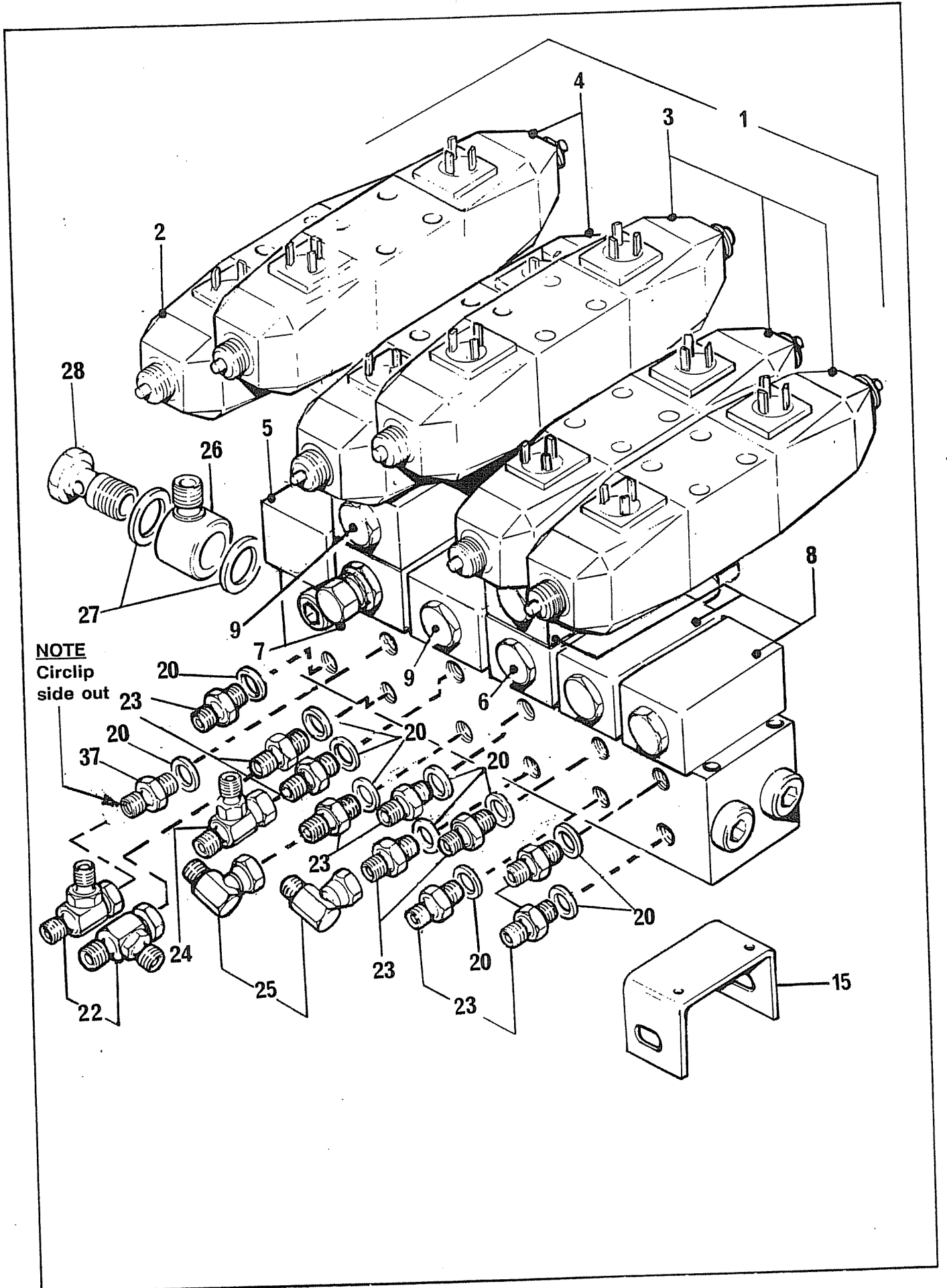
REF	PART NO.	DESCRIPTION	QTY	SERIAL NO. FROM - TO
72.387.01 - 72.388.01		PUMPS CIRCUIT		
72.387.01 - 72.427.01				
*46	05.991.08	HOSE 3/8"BSP X 400MM 90 X ST	1	
*47	05.994.22	HOSE 3/4"BSP X 1100MM 90 X ST	1	
*48	04.056.17	ADAPTOR-TEE F/M/M 3/4 X 3/4 X 3/8 BSP	1	
*49	05.991.06	HOSE 3/8"BSP X 300MM 90 X ST	1	
*50	06.459.03	PIPE STEEL 3/4"BSP M/F	1	
51	05.281.01	FLAT WASHER 8MM PLATED	2	
51	05.282.01	SPRING WASHER 8MM PLATED	2	
51	05.291.07	BOLT M8 X 60MM PLATED	2	
51	05.657.01	SCKT CAPSCRW 5/16"UNCX7/8" PLT	2	
*51	06.284.01	RELIEF VALVE/DIVERTER ASSY	1	
51	06.284.02	SEAL KIT FOR (06.284.01) VALVE	-	
51	06.299.03	RELIEF VALVE CARTRIDGE 207 BAR	-	
*52	05.290.06	BONDED SEAL 3/4"BSP	2	
*53	05.377.01	ADAPTOR 3/4"BSP X 3/4"BSP	2	
*54	05.290.07	BONDED SEAL 1"BSP	1	
*55	05.434.01	ADAPTOR 1"BSP X 1"BSP	1	
*56	05.117.01	COPPER WASHER 3/8" BSP	1	
*57	05.433.01	PLUG 3/8"BSP PLATED	1	
*58	05.290.04	BONDED SEAL 3/8"BSP	1	
*59	05.124.01	ADAPTOR 3/8" BSP X 3/8" BSP	1	
*60	11.068.69	ADAPTOR-TEE 3/8F-3/8M+3/8M	1	
*61	04.056.02	ADAPTOR-SWIVEL TEE 1"BSP F/M/M	1	
*62	05.996.88	HOSE 1"BSP 400MM ST X ST	1	
*63	05.835.02	ADAPTOR-SWIVEL 90 1"BSP M/F	1	
*64	05.994.56	HOSE 3/4"BSP ST X 90 X 3600	1	
*65	02.714.05	AD.STR.SWIV 1"BSP X 3/4"BSP F/M	1	
*66	05.997.41	HOSE 1"BSP X 2100 ST X ST	2	
*67	30.213.89	HOSE 1" X 88" STAP/STR	2	
*68	02.714.01	ADAPTOR-SWIVEL ST 3/8" BSP M/F	1	
*70	05.997.56	HOSE 1"BSP X 3600MM ST X ST	1	
*71	05.434.01	ADAPTOR 1"BSP X 1"BSP	2	
*72 +	05.434.01	ADAPTOR 1"BSP X 1"BSP	2	
*73 +	05.373.01	ADAPTOR 1"BSP X 3/4"BSP	1	
*74 +	05.997.01	HOSE 1"BSP X 300 ST X ST	1	
*75 +	05.997.01	HOSE 1"BSP X 300 ST X ST	1	

+ B81-81 only

\*MAIN PART IN GROUP, RELATED PARTS HAVE SAME REFERENCE NUMBER



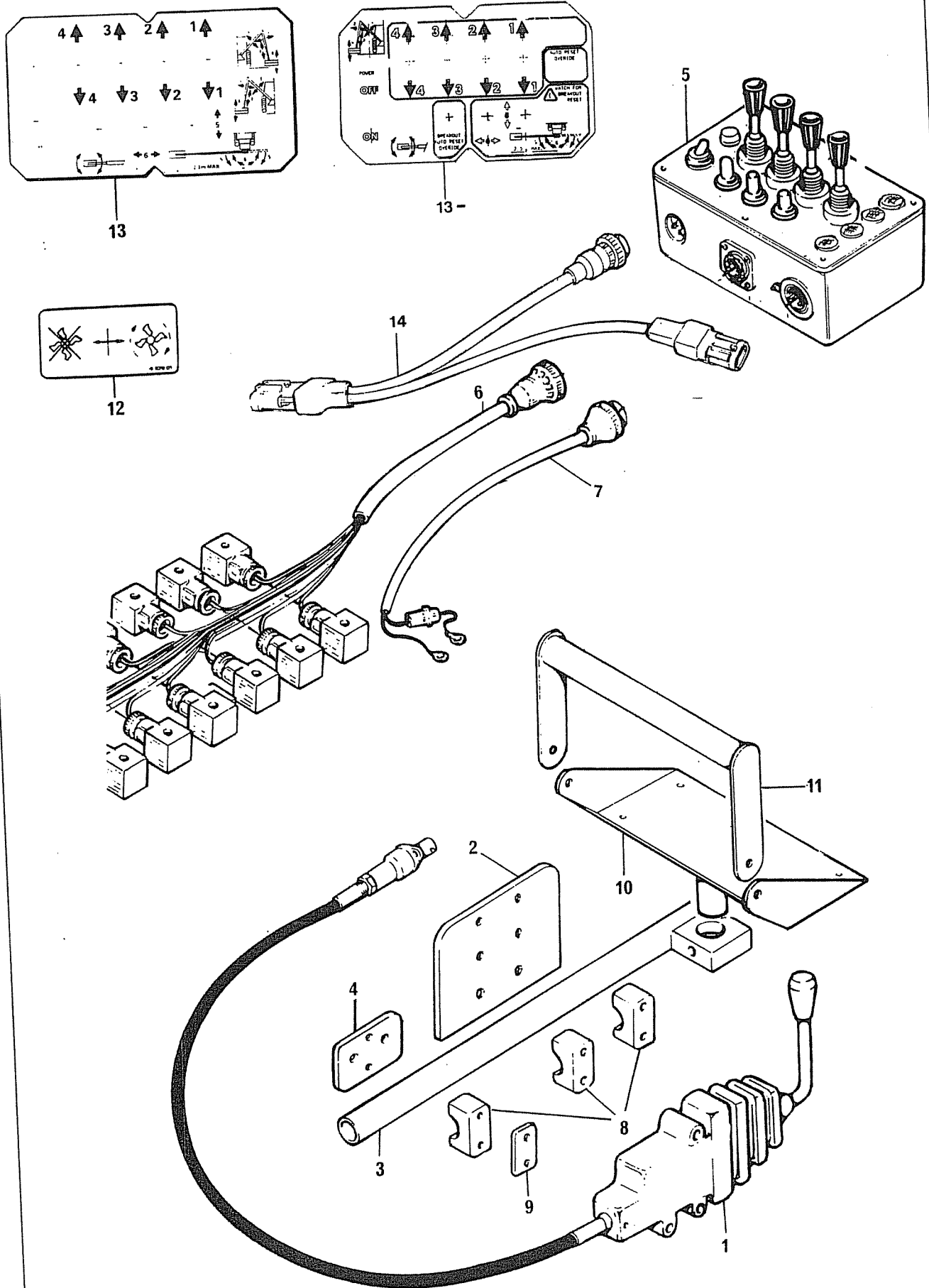
REF	PART NO.	DESCRIPTION	QTY	SERIAL NO. FROM - TO
72.388.01		SECOND ARM HOISING B76-67		
*65	02.714.05	AD.STR.SWIV 1"BSP X3/4"BSP F/M	1	
*66	10.011.31	HOSE 1"BSP STXST S.SEAL 2100	1	
*67	30.213.89	HOSE 1" X 88" STAP/STR	1	
*68	30.213.89	HOSE 1" X 88" STAP/STR	1	
*69	10.011.31	HOSE 1"BSP STXST S.SEAL 2100	1	
*71	05.434.01	ADAPTOR 1"BSP X 1"BSP	1	
72.427.01		SECOND ARM HOISING B76-67		
*66	10.011.34	HOSE 1"BSP STXST S.SEAL 2400	1	
*67	30.213.89	HOSE 1" X 88" STAP/STR	1	
*68	30.213.89	HOSE 1" X 88" STAP/STR	1	
*69	10.011.34	HOSE 1"BSP STXST S.SEAL 2400	2	
*71	05.434.01	ADAPTOR 1"BSP X 1"BSP	2	
*72	05.434.01	ADAPTOR 1"BSP X 1"BSP	1	
*73	05.373.01	ADAPTOR 3/4"BSP X 1"BSP	1	
*74	10.011.06	HOSE 1"BSP STXST S.SEAL 300	1	
*75	10.011.06	HOSE 1"BSP STXST S.SEAL 300	1	
72.619.01		BASE AND FIRST ARM PUMP CIRCUIT B81-81		
*40	06.288.07	HOSE 1.1/2" BORE X 520MM	1	
*41	05.863.02	JUBILEE CLIP 2"DIA	2	
*42	08.565.01	HOSE-RIGID SUCTION	1	
*43	05.983.10	HOSE 3/4"BORE X 220MM	1	
*44	05.863.03	JUBILEE CLIP 20-32 DIA	2	
*45	10.004.16	HOSE 3/8"BSP STX90 S.SEAL 800	1	
*46	05.835.01	ADAPTOR-SWIVEL 90 3/8"BSP M/F	2	
*47	10.010.21	HOSE 3/4"BSP STX90 S.SEAL 1100	1	
*48	05.835.03	ADAPTOR-SWIVEL 90 3/4"BSP M/F	1	
*49	10.004.08	HOSE 3/8"BSP STX90 S.SEAL 400	1	
50	05.282.01	SPRING WASHER 8MM PLATED	4	
50	05.839.03	SETSCREW M8 X 16MM PLATED	4	
*50	08.864.01	PLATE-MOUNTING REV. VALVE	1	
51	05.282.02	SPRING WASHER 10MM PLATED	3	
51	05.292.13	BOLT M10 X 100MM PLATED	3	
*51	09.857.01	CONTROL VALVE	1	
*52	05.290.06	BONDED SEAL 3/4"BSP	5	
*53	05.377.01	ADAPTOR 3/4"BSP X 3/4"BSP	1	
*54	10.012.49	HOSE 1"BSP STX90 S.SEAL 3900	1	
*55	05.434.01	ADAPTOR 1"BSP X 1"BSP	2	
*56	04.056.17	ADAPTOR F/M/M 3/4X3/4X3/8 BSP	1	
*58	05.128.01	ADAPTOR 3/4" BSP X 3/8" BSP	1	
*59	10.004.13	HOSE 3/8"BSP STX90 S.SEAL 650	1	
*61	10.012.12	HOSE 1"BSP STX90 S.SEAL 600	1	
*62	08.940.02	ADAPTOR-135DEG 1"X1" BSP M/F	1	
*63	05.835.02	ADAPTOR-SWIVEL 90 1"BSP M/F	3	
*69	10.012.49	HOSE 1"BSP STX90 S.SEAL 3900	1	
*71	05.373.01	ADAPTOR 3/4"BSP X 1"BSP	3	





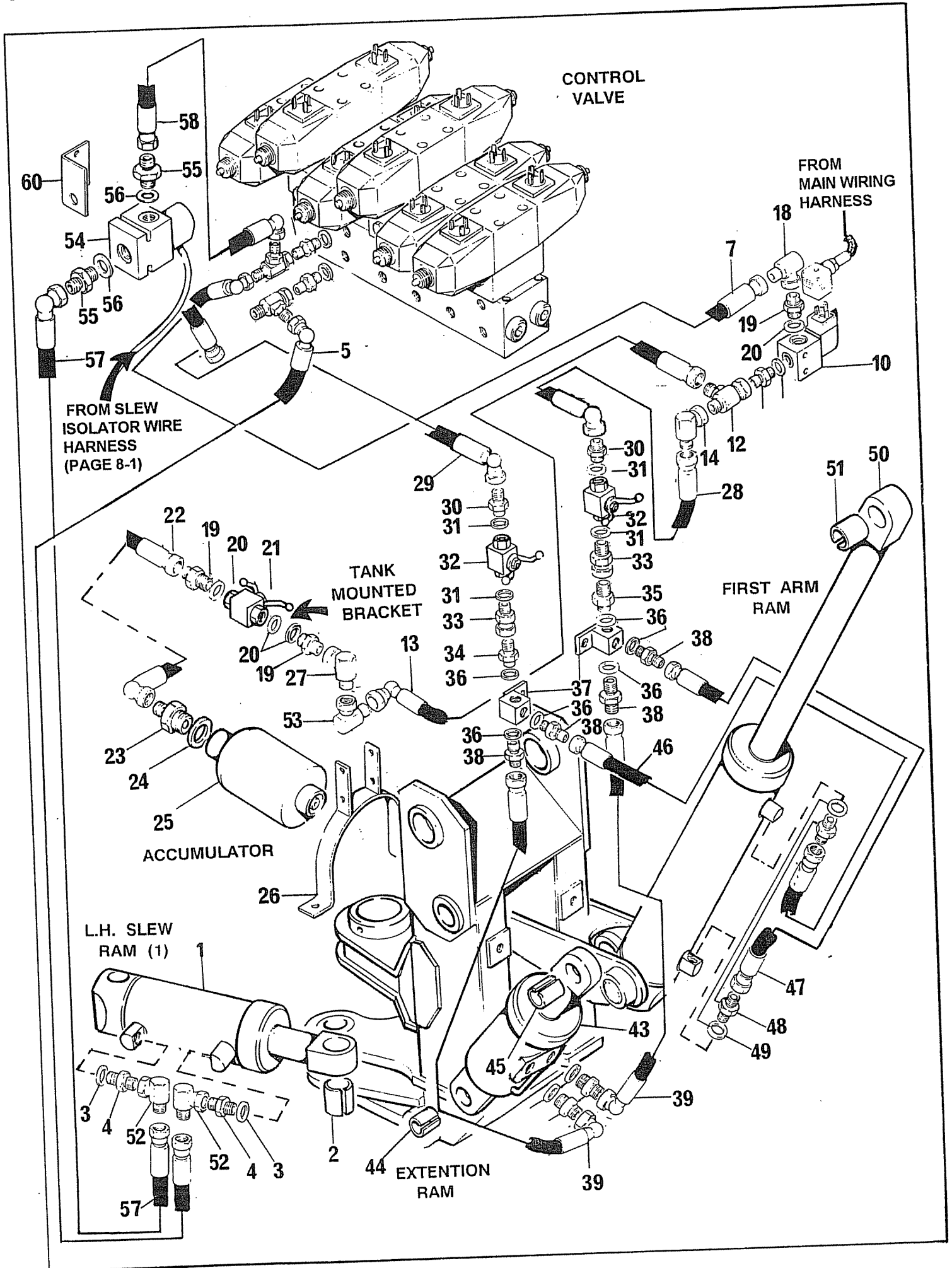
REF	PART NO.	DESCRIPTION	QTY	SERIAL NO. FROM - TO
70.801.04		CONTROL VALVE ASSEMBLY		
01	08.852.04	CETOP 3 INTERFACE SEAL - VITON	1	
*01	08.852.07	CONTROL VALVE ELECT 5 SERVICE	1	
*02	08.852.51	CETOP 3 VENT VALVE	3	
*03	08.852.52	CETOP 3 MOTOR SPOOL VALVE	2	
*04	08.852.54	1/2 MOTOR SPOOL VALVE	1	
*05	07.635.96	CETOP 3 RELIEF VALVE 207 BAR	1	
*06	07.635.87	CAVITY BLOCK	1	
*07	07.635.85	SER LNE RELIEF CARTRIDGE 70BAR	3	
*08	08.852.53	CETOP 3 DUAL PO CHECK VALVE	2	
*09	08.852.55	SPOOL CHECK VALVE	2	
15	05.281.02	FLAT WASHER 10MM PLATED FORM C	2	
15	05.282.02	SPRING WASHER 10MM PLATED	4	
15	05.282.09	SPRING WASHER 5MM PLATED	2	
15	05.292.13	BOLT M10 X 100MM PLATED	2	
*15	08.628.01	PLATE - VALVE MOUNTING	4	
15	30.073.93	SCREW M5 X 16MM 8.8 GRADE	11	
*20	05.290.04	BONDED SEAL 3/8"BSP	2	
*21	05.124.01	ADAPTOR 3/8" BSP X 3/8" BSP	2	
*22	04.056.16	ADAPTOR F/M/M 3/8X3/8X1/4 BSP	8	
*23	01.099.01	ADAPTOR 3/8BSP X1/4BSP	1	
*24	04.056.10	ADAPTOR - TEE 1/4"BSP F/M/M	2	
*25	05.835.04	ADAPTOR - SWIVEL 90 1/4"BSP MF	1	
*26	05.116.02	BANJO BODY 1/2" X 3/8"BSP	2	
*27	05.290.05	BONDED SEAL 1/2"BSP	1	
*28	05.463.01	BANJO BOLT 1/2"BSP	1	
*37	03.028.01	RESTRICTOR 3/8" X 3/8" BSP.	1	

\*MAIN PART IN GROUP, RELATED PARTS HAVE SAME REFERENCE NUMBER.



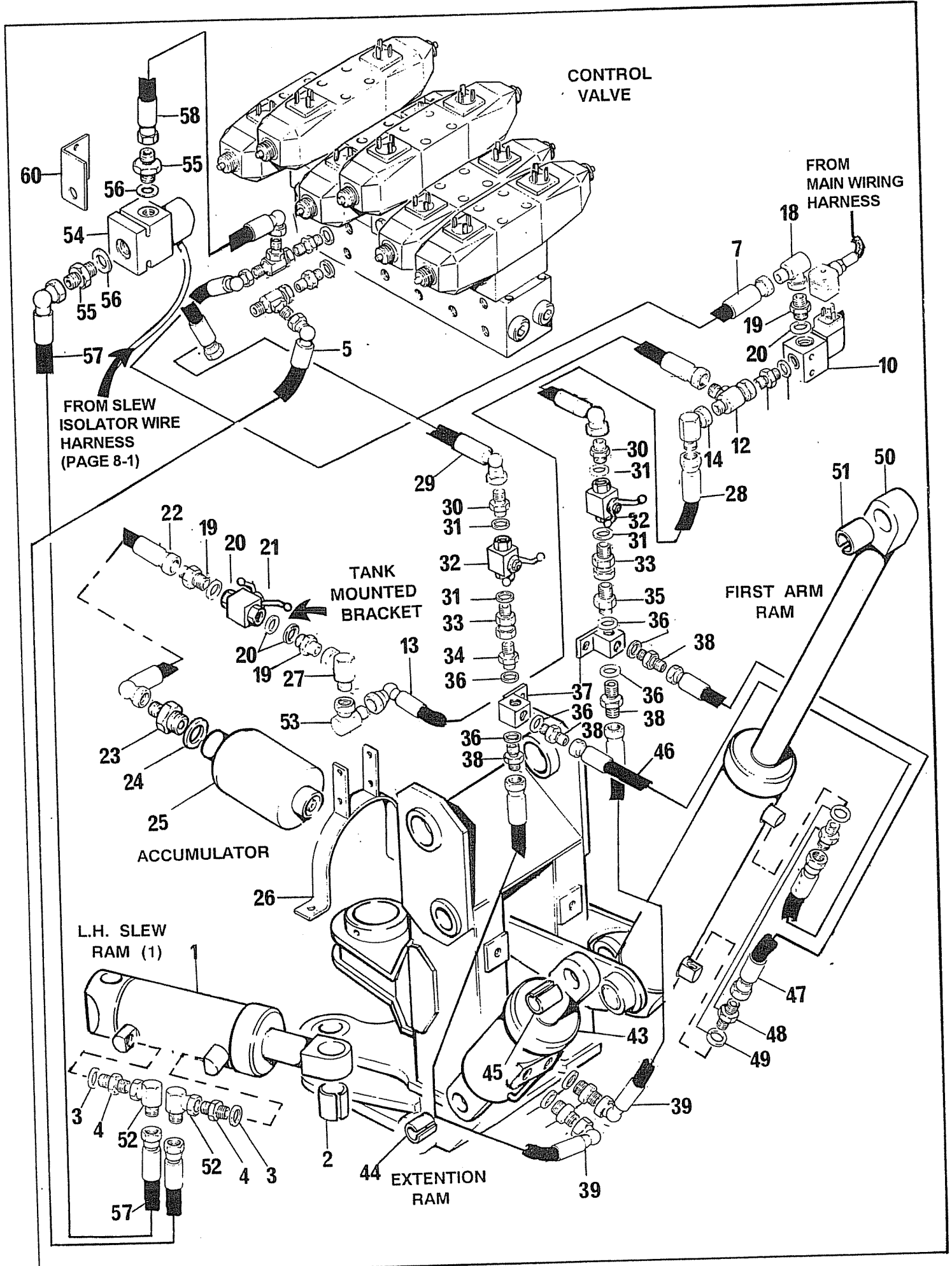
REF	PART NO.	DESCRIPTION	QTY	SERIAL NO. FROM - TO
70.802.01 REMOTE CONTROL ASSEMBLY				
01	04.265.08	LEVER ASSY	-	
01	04.265.11	BUSH	-	
01	04.265.19	SPRING COVER	-	
01	04.265.38	LEVER	-	
01	04.265.28	PIN	-	
01	04.265.33	CABLE ASSY 2.5M	1	
*01	04.265.35	REMOTE CONTROL ASSY-1 BANK 2.5M	2	
02	05.264.02	SETSCREW M8 X 25MM PLATED	2	
02	05.281.01	FLAT WASHER 8MM PLATED	2	
02	05.282.01	SPRING WASHER 8MM PLATED	2	
02	05.948.07	WING NUT M8 - PLATED	1	
*02	08.317.01	PLATE - CONTROL BOX	1	
03	05.264.12	SETSCREW M10 X 25MM PLATED	1	
*03	08.318.01	TUBE - CONTROL BOX MOUNTING	2	
04	05.281.01	FLAT WASHER 8MM PLATED	2	
04	05.282.01	SPRING WASHER 8MM PLATED	2	
04	05.291.07	BOLT M8 X 60MM PLATED	2	
04	05.948.07	WING NUT M8 - PLATED	1	
*04	08.321.01	PLATE - LEVER MOUNTING	4	
05	05.282.09	SPRING WASHER 5MM PLATED	4	
05	05.286.09	NUT M5 PLATED	1	UP TO FEB 92
*05	08.620.01	CONTROL BOX - 4 JOYSTICK	1	FROM FEB 92
*05	09.137.01	CONTROL BOX - 4 JOYSTICK	-	
05	09.137.20	PCB. ASSEMBLY	12	
06	07.835.02	GASKET FOR HIRSCHMAN CONNECTOR	12	
06	07.835.03	SCREW FOR HIRSCHMANN CONNECTOR	1	
*06	08.544.01	WIRING HARNESS	1	
*07	08.987.01	CABLE ASSY - 2 CORE X 5.5M HVY.	-	
07	06.616.02	FUSE - 15A IN-LINE	4	
08	30.068.90	BOLT M6 X 55 MM 8.8 GRADE Z/P.	4	
08	30.070.64	NUT NYLOC M6 Z/P	6	
*08	30.209.71	CLAMP SINGLE 1"	2	
09	30.068.88	BOLT M6 X 45 MM 8.8 GRADE Z/P.	3	
*09	30.209.73	COVER PLATE	1	
*10	08.319.01	PLATE- CONTROL BOX MOUNTING	2	
11	05.839.05	SETSCREW M6 X 16MM PLATED	1	
*11	08.320.01	ARM REST	2	
11	30.070.64	NUT NYLOC M6.Z/P.	1	
*12	06.820.01	DECAL-ROTOR.SHAFT CONTROL LEVER	1	UP TO FEB 92
*13	08.616.01	DECAL-CONTROL BOX	1)	FROM FEB 92
*13	09.136.01	DECAL - CONTROL BOX	1)	
*14	09.138.01	CABLE ASSEMBLY - 2 CORE	1)	

\*MAIN PART IN GROUP, RELATED PARTS HAVE SAME REFERENCE NUMBER



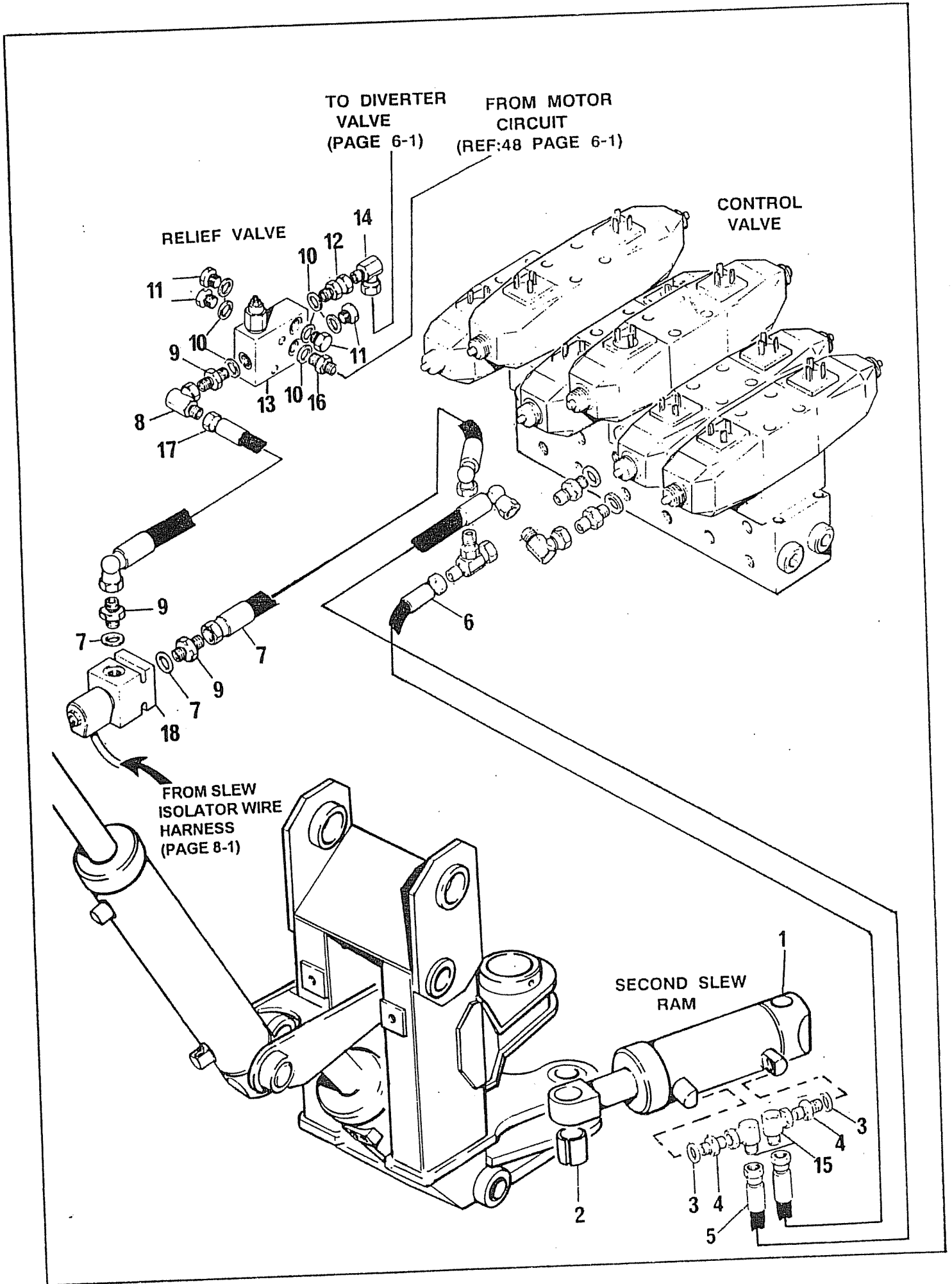
REF	PART NO.	DESCRIPTION	QTY	SERIAL NO. FROM - TO
72.390.02		FIRST RAM/LH SLEW RAM CIRCUIT		
01	03.786.01	INSTRUCTION PLATE-GREASE M6	1	
01	05.953.01	GREASE NIPPLE M6	1	
*01	08.556.04	HYDRAULIC RAM 90 BORE 214 STRK	1	
01	08.556.03	SEAL KIT - 90 BORE RAM	-	
*02	02.771.03	TENSION BUSH 45 X 40 X 50	1	
*03	05.290.04	BONDED SEAL 3/8"BSP	2	
*04	03.028.16	RESTRICTOR 3/8X1/4"BSP 1.00MM	2	
*05	05.990.23	HOSE 1/4"BSP X 1300MM 90 X ST	1	
*07	05.991.14	HOSE 3/8"BSP X 700MM 90 X ST	1	
*08	05.124.01	ADAPTOR 3/8" BSP X 3/8" BSP	2	
09	05.290.04	BONDED SEAL 3/8"BSP	2	
*10	08.619.01	MODULAR SOLENOID VALVE ASSY	1	
10	05.282.07	SPRING WASHER 6MM PLATED	2	
10	30.068.90	BOLT M6 X 55 MM 8.8 GRADE Z/P.	2	
10	08.619.02	SEAL KIT-2 PORT MOD. VALVES	-	
10	08.619.20	SOLENOID	-	
10	08.619.23	NUT - SOLENOID RETAINING	-	
*12	11.068.69	ADAPTOR-TEE 3/8F-3/8M+3/8M	1	
*13	05.991.06	HOSE 3/8"BSP X 300MM 90 X ST	1	
*14	05.835.01	ADAPTOR-SWIVEL 90 3/8"BSP M/F	1	
18	05.835.01	ADAPTOR-SWIVEL 90 3/8"BSP M/F	1	
*19	05.124.01	ADAPTOR 3/8" BSP X 3/8" BSP	2	
*20	05.290.04	BONDED SEAL 3/8"BSP	3	
*21	08.200.01	VALVE - ISOLATING 3/8" BSP	1	
*22	05.991.14	HOSE 3/8"BSP X 700MM 90 X ST	1	
*23	05.128.01	ADAPTOR 3/4" BSP X 3/8" BSP	1	
*24	05.290.06	BONDED SEAL 3/4"BSP	1	
*25	30.065.76	ACC HC.100/1A CAP 1 LTR 650 PSI	1	
26	04.282.42	STUD M10 X 40MM PLATED	2	
26	05.281.02	FLAT WASHER 10MM PLATED FORM C	2	
26	05.282.02	SPRING WASHER 10MM PLATED	2	
26	05.286.02	NUT M10 PLATED	2	
*26	09.142.01	STRAP, ACCUMULATOR\VALVE	1	
*27	05.835.01	ADAPTOR-SWIVEL 90 3/8"BSP M/F	1	
*28	05.991.18	HOSE 3/8" BSP X 900MM 90 X ST	1	
*29	05.991.18	HOSE 3/8" BSP X 900MM 90 X ST	1	
*30	05.124.01	ADAPTOR 3/8" BSP X 3/8" BSP	2	
*31	05.290.04	BONDED SEAL 3/8"BSP	4	
*32	08.200.01	VALVE - ISOLATING 3/8" BSP	2	
*33	02.714.01	ADAPTOR-SWIVEL ST 3/8BSP M/F	2	
*34	05.124.01	ADAPTOR 3/8" BSP X 3/8" BSP	1	
*35	05.124.01	ADAPTOR 3/8" BSP X 3/8" BSP	1	
*36	05.290.04	BONDED SEAL 3/8"BSP	6	
*37	07.636.02	BLOCK - DISTRIBUTION 3 PORT	2	
*38	05.124.01	ADAPTOR 3/8" BSP X 3/8" BSP	4	
*39	05.991.08	HOSE 3/8"BSP X 400MM 90 X ST	1	
*40	05.991.00	HOSE 3/8"BSP X 400MM 90 X ST	1	
*41	05.124.01	ADAPTOR 3/8"BSP X 3/8"BSP	2	

\*MAIN PART IN GROUP, RELATED PARTS HAVE SAME REFERENCE NUMBER.



REF	PART NO.	DESCRIPTION	QTY	SERIAL NO. FROM - TO
*42	05.290.04	BONDED SEAL 3/8"BSP	2	
*43	08.557.01	HYDRAULIC RAM 100 BORE 175 STK	1	
43	08.557.02	SEAL KIT FOR 08.557.01	-	
*44	02.771.11	TENSION BUSH 45 X 40 X 40	1	
*45	02.771.03	TENSION BUSH 45 X 40 X 50	1	
*46	05.998.19	HOSE 3/8"BSP X 950MM ST X ST	1	
*47	05.998.11	HOSE 3/8"BSP X 550 ST X ST	1	
*48	05.124.01	ADAPTOR 3/8" BSP X 3/8" BSP	2	
*49	05.290.04	BONDED SEAL 3/8"BSP	2	
*50	08.556.05	HYDRAULIC RAM 90 BORE 703 STRK	1	
*51	02.771.03	TENSION BUSH 45 X 40 X 50	1	
*52	05.835.04	ADAPTOR - SWIVEL 90 1/4"BSP MF	2	
*53	05.835.04	ADAPTOR - SWIVEL 90 1/4"BSP MF	1	
*54	08.619.09	SOLENOID VALVE - PACKARD COIL	1	
54	30.072.08	SOCKET CAPSCREW M6 X 65	2	
54	30.070.64	NUT NYLOCK M6	2	
*55	01.099.01	ADAPTOR 3/8"BSP. X 1/4"BSP.	2	
*56	05.290.04	BONDED SEAL 3/8" BSP.	2	
*57	05.990.12	HOSE 1/4" BSP X 600 - 90 X ST	1	
*58	05.990.15	HOSE 1/4" BSP X 750 - 90 X ST	1	
*60	09.141.01	BRACKET - VALVE	1	

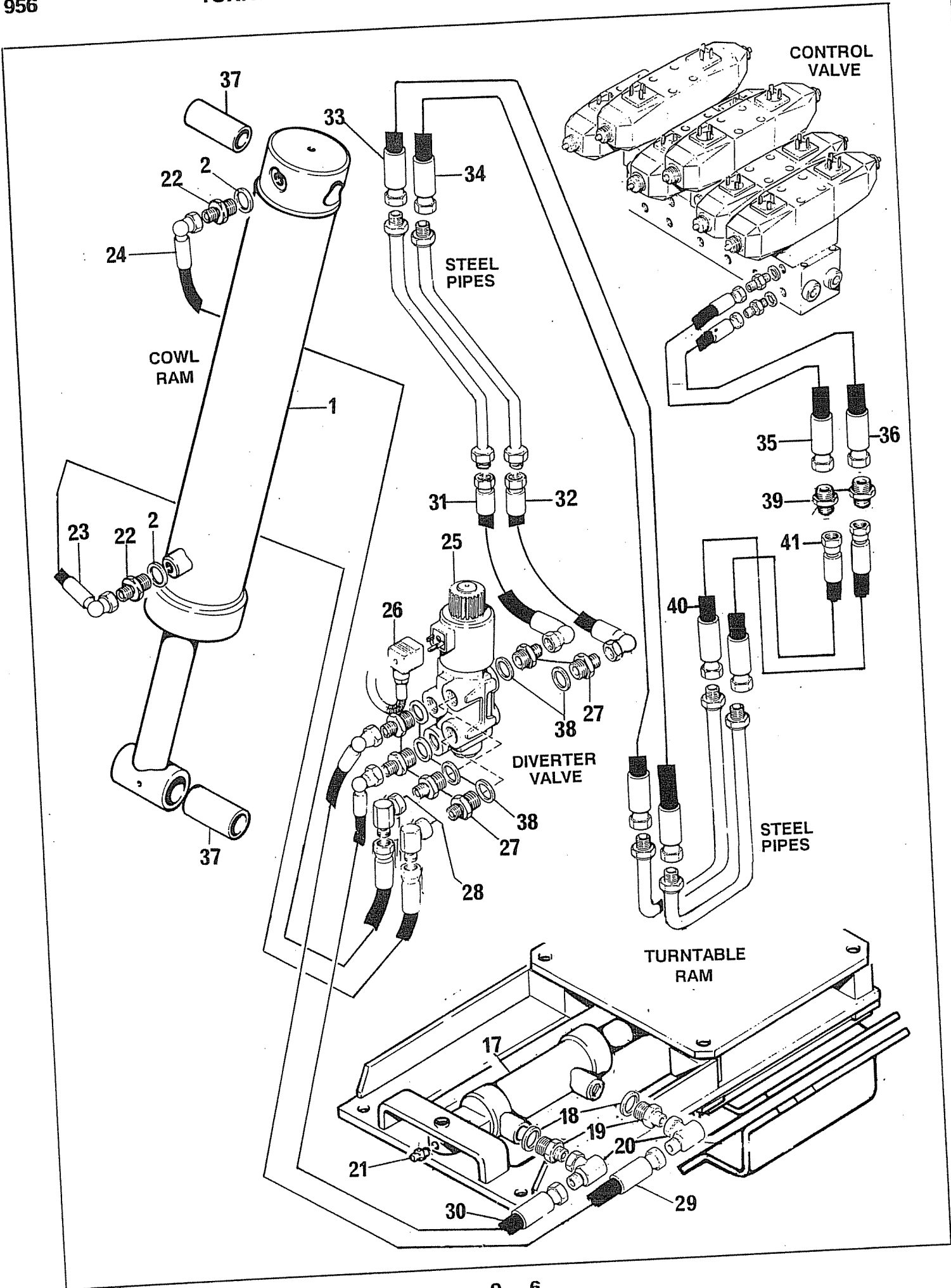
\*MAIN PART IN GROUP, RELATED PARTS HAVE SAME REFERENCE NUMBER.





REF	PART NO.	DESCRIPTION	QTY	SERIAL NO. FROM - TO
70.807.01 RH SLEW RAM CIRCUIT				
01	03.786.01	INSTRUCTION PLATE-GREASE M6	1	
01	05.953.01	GREASE NIPPLE M6	1	
*01	08.556.04	HYDRAULIC RAM 90 BORE 214 STRK	1	
*02	02.771.03	TENSION BUSH 45 X 40 X 50	1	
*03	05.290.04	BONDED SEAL 3/8"BSP	2	
*04	03.028.16	RESTRICTOR 3/8X1/4"BSP 1.00MM	2	
*05	05.990.23	HOSE 1/4"BSP X 1300MM 90XST	1	
*06	05.999.24	HOSE 1/4"BSP X 1400MM ST X ST	1	
*07	05.990.08	HOSE 1/4"BSP X 400MM STR X 90	1	
*08	05.835.04	ADAPTOR - SWIVEL 90 1/4"BSP MF	1	
*09	01.099.01	ADAPTOR - 3/8"BSP X 1/4 BSP	3	
*10	05.290.04	BONDED SEAL 3/8"BSP	9	
*11	05.433.01	PLUG 3/8"BSP PLATED	4	
*12	02.714.01	ADAPTOR-SWIVEL ST 3/8BSP M/F	1	
*13	06.277.11	RELIEF VALVE ASSY (BREAKOUT) 210 BAR	1	
13	06.277.02	SEAL KIT FOR (06.277.01) VALVE	-	
13	06.277.20	RELIEF VALVE CARTRIDGE 210 BAR	-	
*14	05.835.01	ADAPTOR-SWIVEL 90 3/8"BSP M/F	1	
*15	05.835.04	ADAPTOR - SWIVEL 90 1/4"BSP MF	2	
*16	05.124.01	ADAPTOR - 3/8"BSP X 3/8"BSP	1	
*17	05.990.12	HOSE 1/4" BSP X 600 - 90 X ST	1	
*18	08.619.09	VALVE - SOLENOID PACKARD COIL	1	
18	30.072.08	SOCKET CAPSCREW M6 X 65	2	
18	30.070.64	NUT NYLOC M6	2	

\*MAIN PART IN GROUP, RELATED PARTS HAVE SAME REFERENCE NUMBER.



REF	PART NO.	DESCRIPTION	QTY	SERIAL NO. FROM - TO
72.392.01 - 72.393.01		COWL RAM CIRCUIT		
72.392.01 - 72.428.01				
*01	07.672.03	RAM ASSY - 3.1/4" X 460 STROKE	1	
01	30.048.10	SEAL KIT	-	
01	30.054.09	GREASE NIPPLE 1/4" BSF	1	
01	30.054.10	GR/NIPPLE 1/4" BSF ANGLED 135	1	
*02	05.290.04	BONDED SEAL 3/8"BSP	2	
*22	01.099.01	ADAPTOR 3/8BSP X 1/4BSP	2	
*23	05.990.10	HOSE 1/4"BSP X 500MM 90 X ST	1	
*24	05.990.12	HOSE 1/4"BSP X 600MM 90 X ST	1	
25	05.281.02	FLAT WASHER 10MM PLATED	2	
25	05.282.02	SPRING WASHER 10MM PLATED	2	
25	05.286.02	NUT M10 PLATED	2	
*25	07.946.01	VALVE (SOL) 6 PORT DIVERTER	1	
25	05.291.14	BOLT M10 X 45MM PLATED	6	
26	07.835.02	GASKET FOR HIRSCHMAN CONNECTOR	1	
26	07.835.03	SCREW FOR HIRSCHMANN CONNECTOR	1	
*26	08.647.01	WIRE LOOM - POWER TURNTABLE	1	
*27	01.099.03	ADAPTOR 1/2BSP X 1/4BSP	6	
*28	05.835.04	ADAPTOR - SWIVEL 90 1/4"BSP MF	2	
*29	05.990.32	HOSE 1/4"BSP X 2200MM 90XST	1	
*30	05.990.32	HOSE 1/4"BSP X 2200MM 90XST	1	
*31	05.990.10	HOSE 1/4"BSP X 500MM 90XST	1	
*32	05.990.10	HOSE 1/4"BSP X 500MM 90XST	1	
*33	05.999.30	HOSE 1/4" BSP X 2000MM ST X ST	1	
*34	05.999.30	HOSE 1/4" BSP X 2000MM ST X ST	1	
*35	05.999.46	HOSE 1/4"BSP 3600 ST X ST	1	
*36	05.999.46	HOSE 1/4"BSP 3600 ST X ST	1	
*37	07.672.93	ROD END BUSH	2	
*38	05.290.05	BONDED SEAL 1/2"BSP	6	
*39 +	05.129.01	ADAPTOR 1/4" BSP. X 1/4" BSP.	2	
*40 +	05.999.06	HOSE 1/4" BSP.X 300 ST X ST.	1	
*41 +	05.999.06	HOSE 1/4" BSP.X 300 ST X ST.	1	

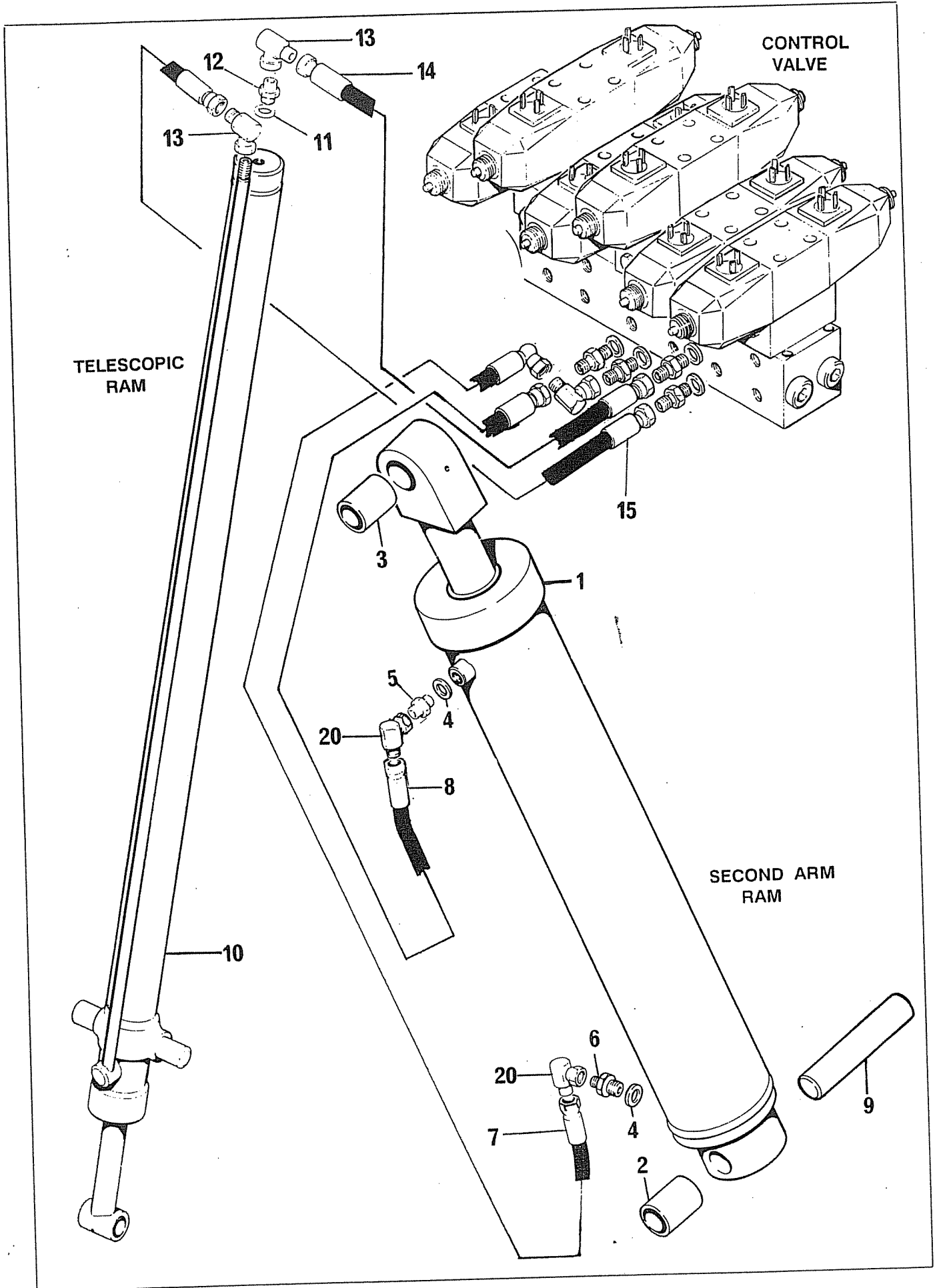
## 70.859.01

## TURNTABLE RAM CIRCUIT

*17	07.626.04	RAM ASSY 2"BORE X 63 STROKE	1	
*18	05.290.05	BONDED SEAL 1/2"BSP	2	
*19	03.028.19	RESTRICTOR 1/2 X 1/4" BSP 1.00MM	2	
*20	05.835.04	ADAPTOR - SWIVEL 90 1/4"BSP MF	2	
*21	30.054.09	GREASE NIPPLE 1/4" BSF	3	

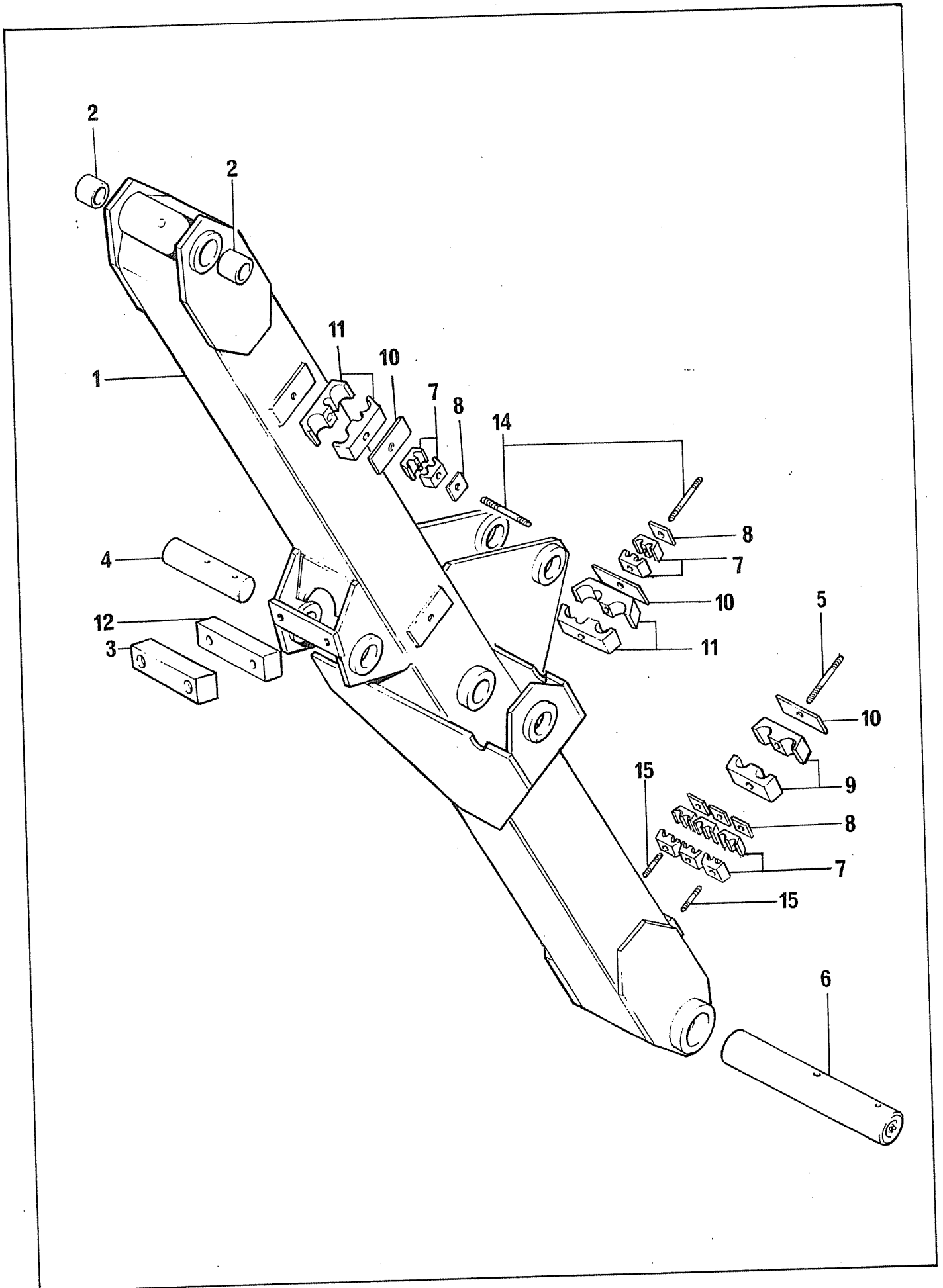
+B81-81 ONLY

\*MAIN PART IN GROUP, RELATED PARTS HAVE SAME REFERENCE NUMBER.



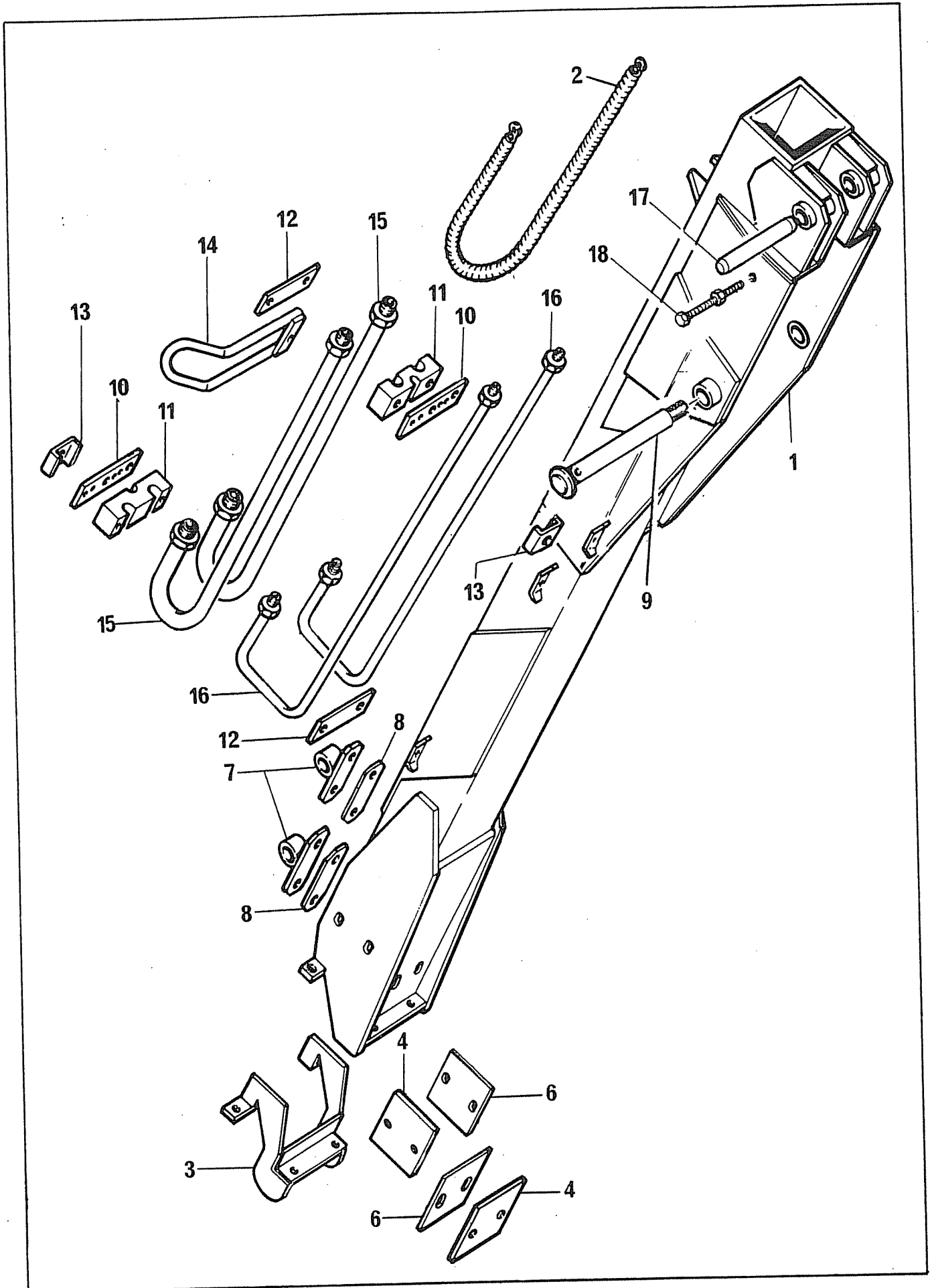
REF	PART NO.	DESCRIPTION	QTY	SERIAL NO. FROM - TO
70.809.01		SECOND RAM CIRCUIT		
*01	07.671.02	RAM ASSY 4" X1.5" X 685 STROKE	1	
01	30.048.11	SEAL KIT 8TON	-	
01	30.054.09	GREASE NIPPLE 1/4" BSF	2	
*02	07.671.88	BUSH	1	
*03	07.672.93	ROD END BUSH	1	
*04	05.290.04	BONDED SEAL 3/8"BSP	2	
*05	03.028.08	RESTRICTOR 3/8BSP X 1/4BSP	1	
*06	01.199.01	ADAPTOR 3/8" BSP X 1/4" BSP	1	
*07	05.990.29	HOSE 1/4"BSP X 1900MM 90XST	1	
*08	05.999.36	HOSE - 1/4" BSP 2600 ST X ST	1	
*09	03.655.16	PIN - DIA 35 X 200	1	
09	05.282.02	SPRING WASHER 10MM PLATED	1	
09	05.286.02	NUT M10 PLATED	1	
09	05.291.18	BOLT M10 X 65MM PLATED	1	
*20	05.835.04	ADAPTOR-SWIVEL 90 1/4" BSP MF	2	
72.141.01 - 72.415.01		TELESCOPIC RAM CIRCUIT B76-76		
72.141.01 - 72.429.01		TELESCOPIC RAM CIRCUIT B81-81		
*10	07.626.06	RAM ASSY 2"BORE X 1475 STROKE (B76-76)	1	
*10	07.626.07	RAM ASSY.2"BORE X 1725 STROKE (B81-81)	1	
10	30.049.61	SEAL KIT RAM-4908-07.626.02-07	-	
*11	05.290.02	BONDED SEAL 1/4"BSP	1	
*12	05.129.01	ADAPTOR 1/4 BSP X 1/4 BSP	1	
*13	05.835.04	ADAPTOR - SWIVEL 90 1/4"BSP MF	2	
*14	05.999.46	HOSE 1/4"BSP 3600 ST X ST	1	
*15	05.999.46	HOSE 1/4"BSP 3600 ST X ST	1	

\*MAIN PART IN GROUP, RELATED PARTS HAVE SAME REFERENCE NUMBER.



REF	PART NO.	DESCRIPTION	QTY	SERIAL NO. FROM - TO
FIRST ARM ASSEMBLY				
70.798.01				
01	03.786.02	INSTRUCTION PLATE-GREASE M10	1	
01	05.953.04	GREASE NIPPLE M10 90 DEG	1	
*01	08.650.01	ARM - FIRST	1	
*02	08.297.02	BUSH - PLASTIC 47 X 40 X 40	2	
03	05.291.04	BOLT M8 X 45MM PLATED	2	
03	30.070.65	NUT,NYLOC M8 Z/P	2	
*03	30.104.19	BUFFER	1	
*04	03.656.44	PIN - DIA 40 X 166	1	
04	05.282.02	SPRING WASHER 10MM PLATED	1	
04	05.286.02	NUT M10 PLATED	1	
04	05.292.11	BOLT M10 X 80MM PLATED	1	
04	03.786.02	INSTRUCTION PLATE-GREASE M10	1	
04	05.953.04	GREASE NIPPLE M10 90 DEG	1	
*05	03.469.20	STUD M8 X 112	1	
05	05.281.01	FLAT WASHER 8MM PLATED	1	
05	05.282.01	SPRING WASHER 8MM PLATED	1	
05	05.286.01	NUT M8 PLATED	1	
*06	03.657.24	PIN - DIA 50 X 341	1	
06	05.282.02	SPRING WASHER 10MM PLATED	1	
06	05.286.02	NUT M10 PLATED	1	
06	05.292.11	BOLT M10 X 80MM PLATED	1	
06	03.786.02	INSTRUCTION PLATE-GREASE M10	1	
06	05.953.04	GREASE NIPPLE M10 90 DEG	1	
*07	06.430.02	CLAMP HOSE 14 X 14	12	
*08	06.418.02	CLAMP PLATE 30 X 6 PLATED	6	
*09	06.430.01	CLAMP HOSE 38 X 28	2	
*10	06.418.01	CLAMP PLATE 95 X 6	4	
*11	06.430.10	CLAMP HOSE 38 X 38	6	
*12	30.144.71	BRACKET STOP	1	
*14	04.282.33	STUD M8 X 110	3	
14	05.281.01	FLAT WASHER 8MM PLATED	3	
14	05.282.01	SPRING WASHER 8MM PLATED	3	
14	05.286.01	NUT M8 PLATED	3	
*15	04.282.32	STUD M8 X 52	2	
15	05.281.01	FLAT WASHER 8MM PLATED	2	
15	05.282.01	SPRING WASHER 8MM PLATED	2	
15	05.286.01	NUT M8 PLATED	2	

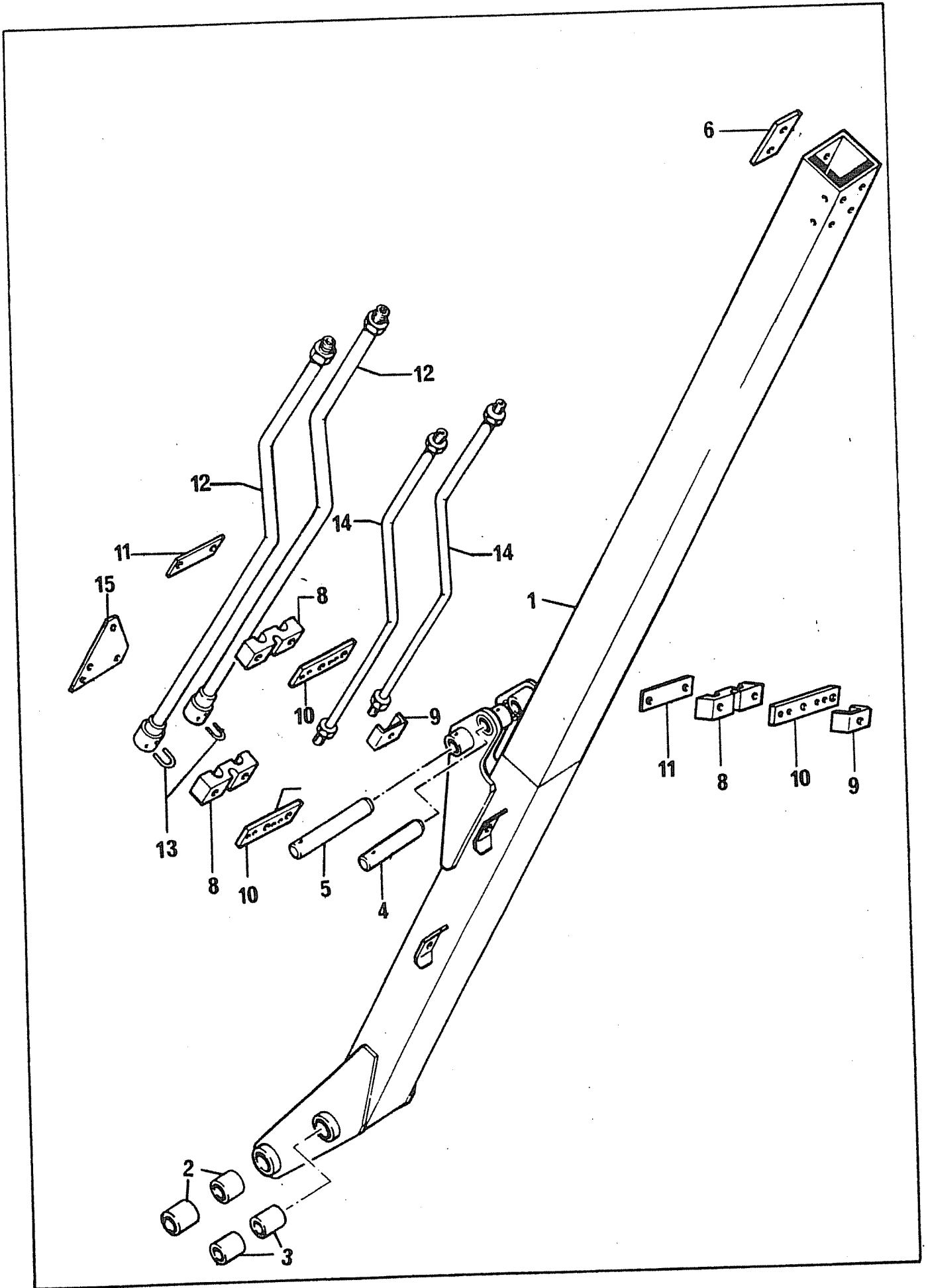
\*MAIN PART IN GROUP, RELATED PARTS HAVE SAME REFERENCE NUMBER.





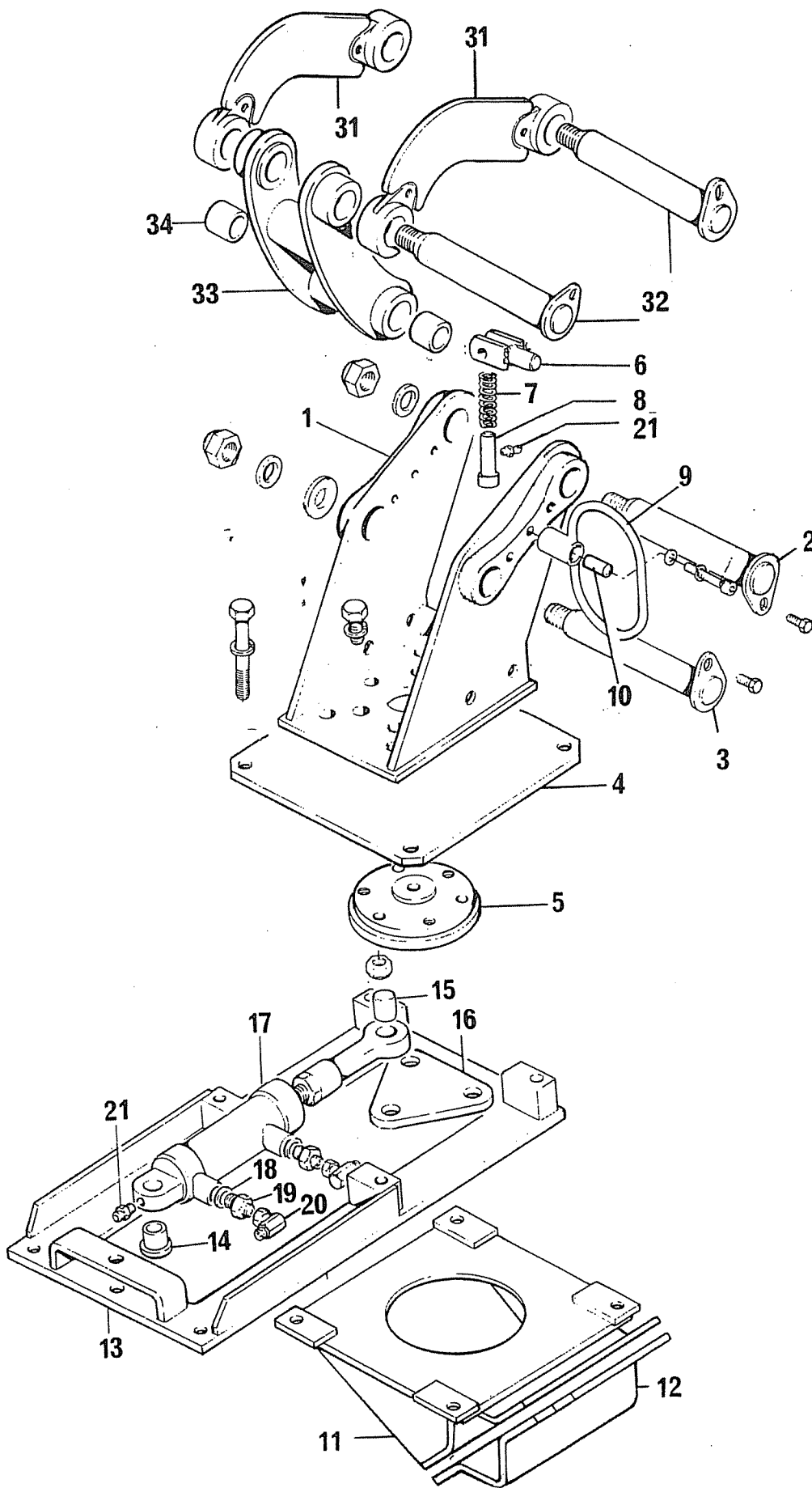
REF	PART NO.	DESCRIPTION	QTY	SERIAL NO. FROM - TO
72.425.01 - 72.564.01		TELESCOPIC ARM OUTER ASSEMBLY B81-81		
70.819.01 - 72 563.01		TELESCOPIC ARM OUTER ASSEMBLY B76-76		
*01	09.391.01	ARM - SECOND (B76-76)	1	
*01	09.392.01	ARM - SECOND (B81-81)	1	
01	35.330.02	GREASE NIPPLE 1/4"BSF 90DEG	1	
02	05.264.26	SETSCREW M12 X 45MM PLATED	1	
02	05.281.03	FLAT WASHER 12MM PLATED	1	
02	05.287.03	SELF-LOCKING NUT M12 PLATED	1	
*02	30.208.85	EXTENSION SPRING HM 25'S'	1	
03	05.264.15	SETSCREW M10 X 40MM PLATED	4	
03	05.287.02	SELF-LOCKING NUT M10 PLATED	4	
*03	30.144.69	CLAMP - PAD	1	
04	05.264.12	SETSCREW M10 X 25MM PLATED	6	
04	05.264.14	SETSCREW M10 X 35MM PLATED	2	
04	05.281.02	FLAT WASHER 10MM PLATED	16	
04	05.282.02	SPRING WASHER 10MM PLATED	8	
*04	30.222.13	PAD - WEAR 115 X 100 X 13	4	
*05	30.222.29	SHIM 115 X 100 X 1.0	12	
*06	30.222.30	SHIM 115 X 100 X 0.5	4	
07	05.264.22	SETSCREW M12 X 25MM PLATED	4	
07	05.282.03	SPRING WASHER 12MM PLATED	4	
*07	30.124.41	RAM MOUNT BRACKET HM 'S' RM	2	
*08	30.211.97	SHIM TRUNNION RAM MOUNT 1MM	2	
*08	30.211.98	SHIM TRUNNION RAM MOUNT .50MM	2	
09	05.281.16	FLAT WASHER	1	
09	05.287.06	SELF-LOCKING NUT M24	1	
*09	03.656 64.	PIN - DIA 40 X 286 LONG	1	
09	05.291.10	BOLT M8 X 75	1	
09	05.287.01	NUT M8 SELFLOCK.	1	
10	05.264.13	SETSCREW M10 X 30MM PLATED	2	
10	05.287.02	SELF-LOCKING NUT M10 PLATED	2	
*10	30.124.37	HOSE CLAMP MOUNT HM 'S' RM	2	
11	05.281.01	FLAT WASHER 8MM PLATED	4	
11	05.282.01	SPRING WASHER 8MM PLATED	4	
11	05.291.06	BOLT M8 X 55MM PLATED	4	
*11	30.207.26	CLAMP HOSE BLOCK HM 'S'	2	
*12	30.124.39	HOSE CLAMP COVER PLATE HM 'S'	2	
13	05.264.02	SETSCREW M8 X 25MM PLATED	2	
13	05.281.01	FLAT WASHER 8MM PLATED	2	
13	05.282.01	SPRING WASHER 8MM PLATED	2	
*13	30.124.38	HOSE CLAMP HM 'S' RM	2	
14	05.264.13	SETSCREW M10 X 30MM PLATED	1	
14	05.287.02	SELF-LOCKING NUT M10 PLATED	1	
*14	30.124.49	2ND ARM HOSE GUIDE RM HM 'S'	1	
*15	30.207.32	ST HOSE 1"X 750 1"BSPM/M	2	
*16	30.207.33	ST HOSE 1/2"X 790 1/4"BSPM/M	2	
*17	30.124.25	2ND RAM PIVOT PIN ROD END 35MM	1	
17	05.291.08	BOLT M8 X 65MM PLATED	1	
17	05.287.01	SELF-LOCKING NUT M8 PLATED	1	
*18	05.291.07	BOLT M8 X 60MM PLATED	1	
18	05.287.01	SELF-LOCKING NUT M8	2	

\*MAIN PART IN GROUP, RELATED PARTS HAVE SAME REFERENCE NUMBER.



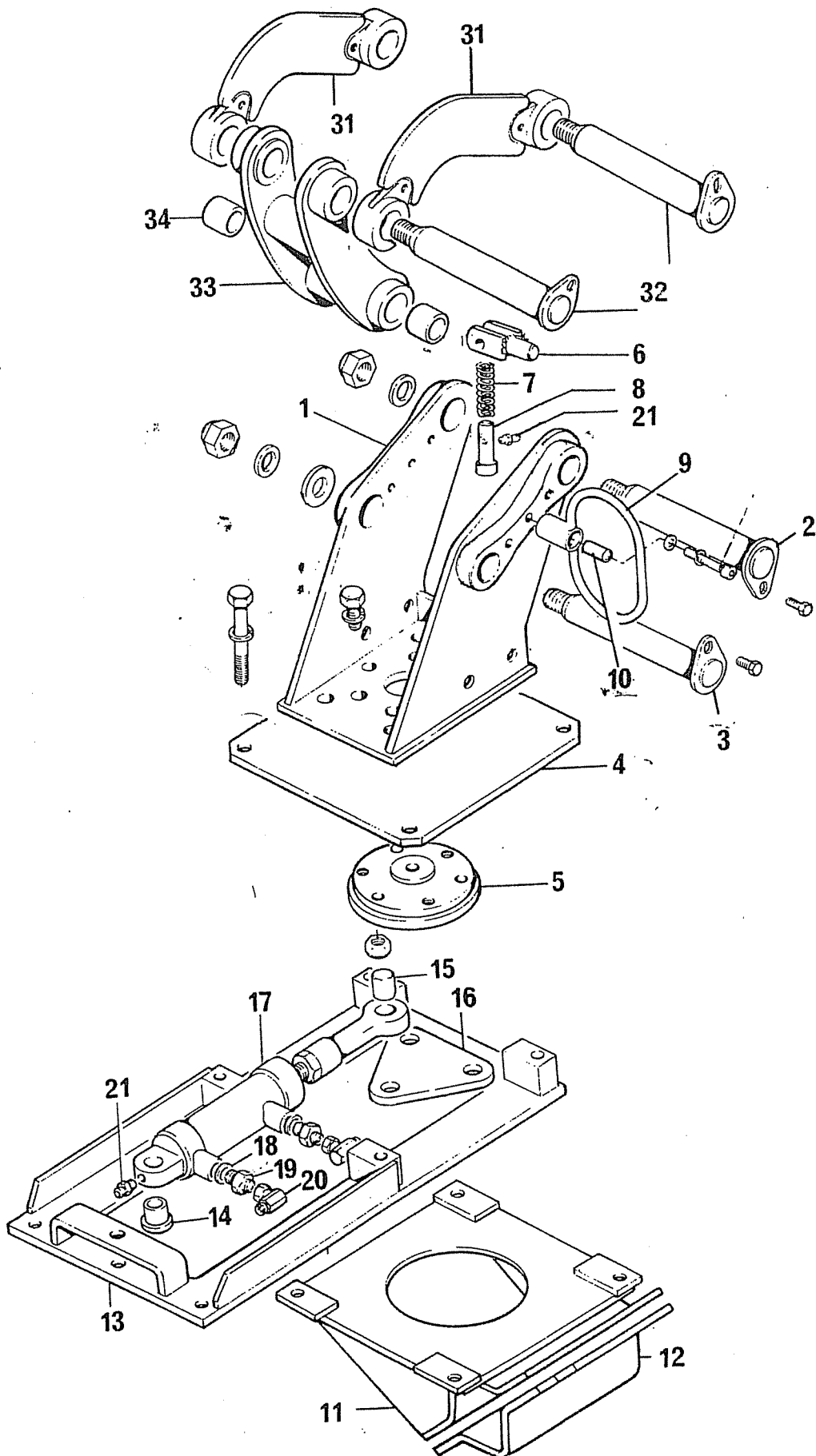
REF	PART NO.	DESCRIPTION	QTY	SERIAL NO. FROM - TO
72.426.01		TELESCOPIC ARM INNER ASSEMBLY B81-81		
70.820.01		TELESCOPIC ARM INNER ASSEMBLY B76-76		
*01	30.144.58	ARM - TELESCOPIC (B76-76)	1	
*01	09.224.01	ARM - TELESCOPIC (B81-81)	1	
01	30.054.01	GREASE NIPPLE 1/4"	2	
*02	30.207.68	BUSH,NYLON 47 X 40 X 40	2	
*03	07.672.93	ROD END BUSH	2	
04	05.287.01	SELF-LOCKING NUT M8 PLATED	1	
04	05.291.05	BOLT M8 X 50MM PLATED	1	
*04	30.124.29	TELESCOPIC RAM P/PIN ROD END	1	
05	05.287.01	SELF-LOCKING NUT M8 PLATED	1	
05	05.291.07	BOLT M8 X 60MM PLATED	1	
*05	30.124.26	HOOD ANG RAM PIVOT PIN PLUG EN	1	
06	05.281.02	FLAT WASHER 10MM PLATED	18	
06	05.287.02	SELF-LOCKING NUT M10 PLATED	18	
*06	30.207.73	NYLON 66 WEAR PAD 100 X 50 X 8MM	9	
06	30.208.82	SOCKET CSK SCREW M10 X 30MM - (BRASS)	18	
06	30.208.83	WEAR PAD SHIM 1MM THICK	15	
06	30.208.84	WEAR PAD SHIM .5MM THICK	5	
08	05.281.01	FLAT WASHER 8MM PLATED	4	
08	05.282.01	SPRING WASHER 8MM PLATED	4	
08	05.291.06	BOLT M8 X 55MM PLATED	4	
*08	30.207.26	CLAMP HOSE BLOCK HM 'S'	3	
09	05.264.02	SETSCREW M8 X 25MM PLATED	2	
09	05.281.01	FLAT WASHER 8MM PLATED	2	
09	05.282.01	SPRING WASHER 8MM PLATED	2	
*09	30.124.38	HOSE CLAMP HM 'S' RM	3	
10	05.264.13	SETSCREW M10 X 30MM PLATED	2	
10	05.287.02	SELF-LOCKING NUT M10 PLATED	3	
*10	30.124.37	HOSE CLAMP MOUNT HM 'S' RM	2	
*11	30.124.39	HOSE CLAMP COVER PLATE HM 'S'	3	
*12	30.136.37	ST HOSE 1"X 13SWG X 885 25"SX"	2	
*13	30.208.70	STAPLE FOR 1" STAPLOK	2	
*14	30.207.34	ST HOSE 1/2"X 650 1/4"BSPM/M'	2	
*15	08.654.01	PLATE - VALVE MOUNTING	1	
15	05.281.01	FLAT WASHER 8MM PLATED	2	
15	05.282.01	SPRING WASHER 8MM PLATED	2	
15	05.291.07	BOLT M8 X 60MM PLATED	2	

\*MAIN PART IN GROUP, RELATED PARTS HAVE SAME REFERENCE NUMBER.



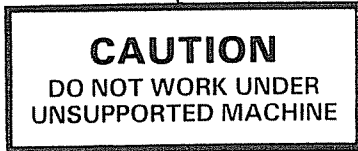
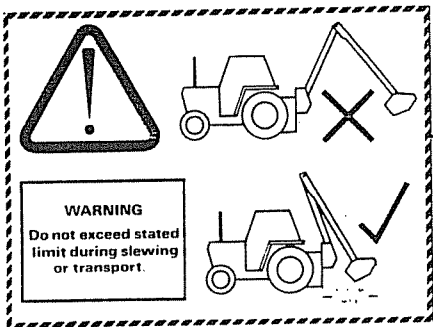
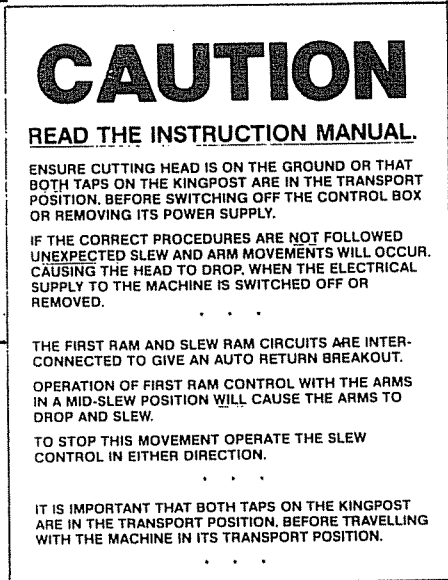
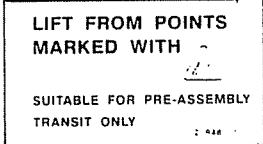
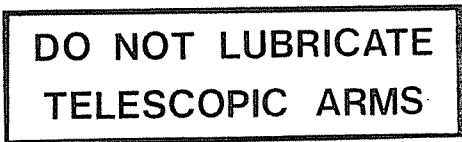
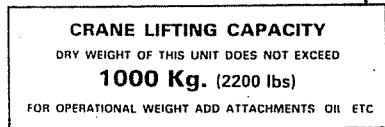
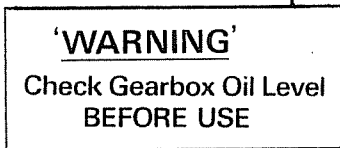
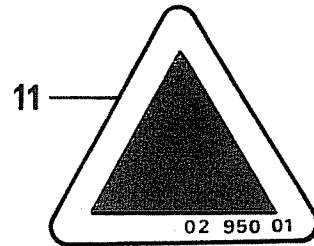
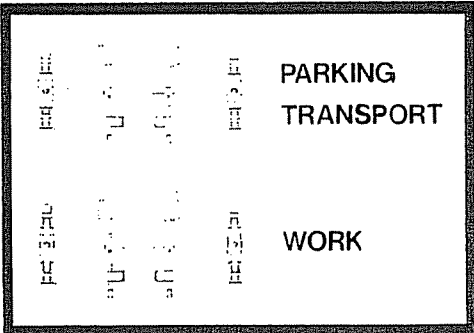
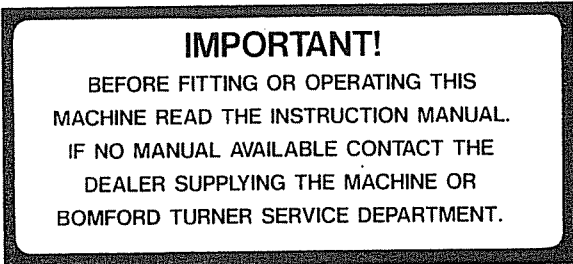
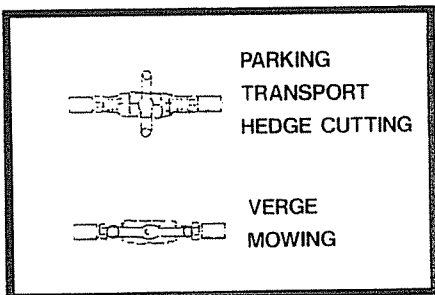
REF	PART NO.	DESCRIPTION	QTY	SERIAL NO. FROM - TO
70.857.01		POWERED TURNTABLE		
01	03.786.01	INSTRUCTION PLATE-GREASE M6	1	
01	05.953.01	GREASE NIPPLE M6	3	
*01	30.134.89	HOOD MTG BRKT TOP MTD WITH T/T	1	
02	05.281.06	FLAT WASHER 1" BSF HEAVY	1	
02	05.287.06	SELF-LOCKING NUT M24	1	
*02	30.134.63	PIN HOOD PIVOT (40 DIA)	1	
02	30.213.91	DURLOK BOLT M10 X 20 PLATED	1	
03	05.281.06	FLAT WASHER 1" BSF HEAVY	1	
03	05.287.06	SELF-LOCKING NUT M24	1	
*03	30.134.62	PIN HOOD ANGLING (35DIA)	1	
03	30.134.67	SPACING COLLAR	1	
03	30.213.91	DURLOK BOLT M10 X 20 PLATED	1	
*04	30.124.53	TURNTABLE MOUNTING	1	
05	05.264.34	SETSCREW M16 X 35MM PLATED	3	
05	05.282.04	SPRING WASHER 16MM PLATED	3	
*05	30.142.42	SWIVEL DISC POWERED T/TABLE	1	
06	05.264.66	SETSCREW M6 X 40MM PLATED	1	
06	30.070.64	NUT NYLOC M6.Z/P.	1	
*06	30.124.56	LEVER, LOCKING PIN RELEASE	1	
*07	30.207.74	SPRING, COMPRESSION 2 1/2" LONG	1	
*08	30.124.54	PIN, TURNTABLE LOCKING	1	
*09	30.135.24	HOSE LOOP	1	
10	30.071.14	FLAT WASHER 10MM PLATED	1	
10	05.282.02	SPRING WASHER 10MM PLATED	1	
*10	30.135.25	CLAMPING TUBE	1	
10	30.214.05	SCREW M10 X 60 SKT HD CAP(S/C)	1	
11	05.282.04	SPRING WASHER 16MM PLATED	4	
11	05.287.04	SELF-LOCKING NUT M16 PLATED	4	
11	05.292.34	BOLT M16 X 110MM PLATED	4	
*11	08.735.01	BRACKET - COWL	1	
12	05.264.25	SETSCREW M12 X 40MM PLATED	6	
12	05.282.03	SPRING WASHER 12MM PLATED	6	
12	05.286.03	NUT M12 PLATED	6	
*12	07.947.01	CLAMP - COWL BRACKET	1	
*13	30.142.40	RAM MTG BRKT POWERED T/TABLE	1	
14	05.287.05	SELF-LOCKING NUT M20 PLATED	1	
14	05.291.50	BOLT M20 X 75MM PLATED	1	
*14	30.142.45	RAM ANCHOR BUSH POWERED T/TABLE	1	
15	05.281.04	FLAT WASHER 16MM PLATED	3	
15	05.287.04	SELF-LOCKING NUT M16 PLATED	3	
15	05.292.32	BOLT M16 X 90MM PLATED	3	
*15	30.142.43	SPACER BUSH POWERED T/TABLE	3	
*16	30.142.44	RAM PLATE POWERED T/TABLE	1	

\*MAIN PART IN GROUP, RELATED PARTS HAVE SAME REFERENCE NUMBER.



REF	PART NO.	DESCRIPTION	QTY	SERIAL NO. FROM - TO
70.859.01		TURNTABLE RAM		
*17	07.626.04	RAM ASSY 2" BORE X 63 STROKE	1	
*18	05.290.05	BONDED SEAL 1/2"BSP	2	
*19	03.028.19	RESTRICTOR 1/2X1/4"BSP 1.00MM	2	
*20	05.835.04	ADAPTOR - SWIVEL 90 1/4"BSP MF	2	
*21	30.054.09	GREASE NIPPLE 1/4" BSF	3	
70.823.01		COWL ANGLING ASSEMBLY		
*31	30.134.54	HOOD ANGLING 1ST LINK LH HM SX	2	
32	05.281.06	FLAT WASHER 1" BSF HEAVY	2	
32	05.287.06	SELF-LOCKING NUT M24	1	
*32	30.134.62	PIN HOOD ANGLING (35DIA) HM SX	2	
32	30.213.91	DURLOK BOLT M10 X 20 PLATED	2	
*33	30.134.56	HOOD ANGLING 2ND LINK HM SX	1	
*34	07.672.93	ROD END BUSH	4	

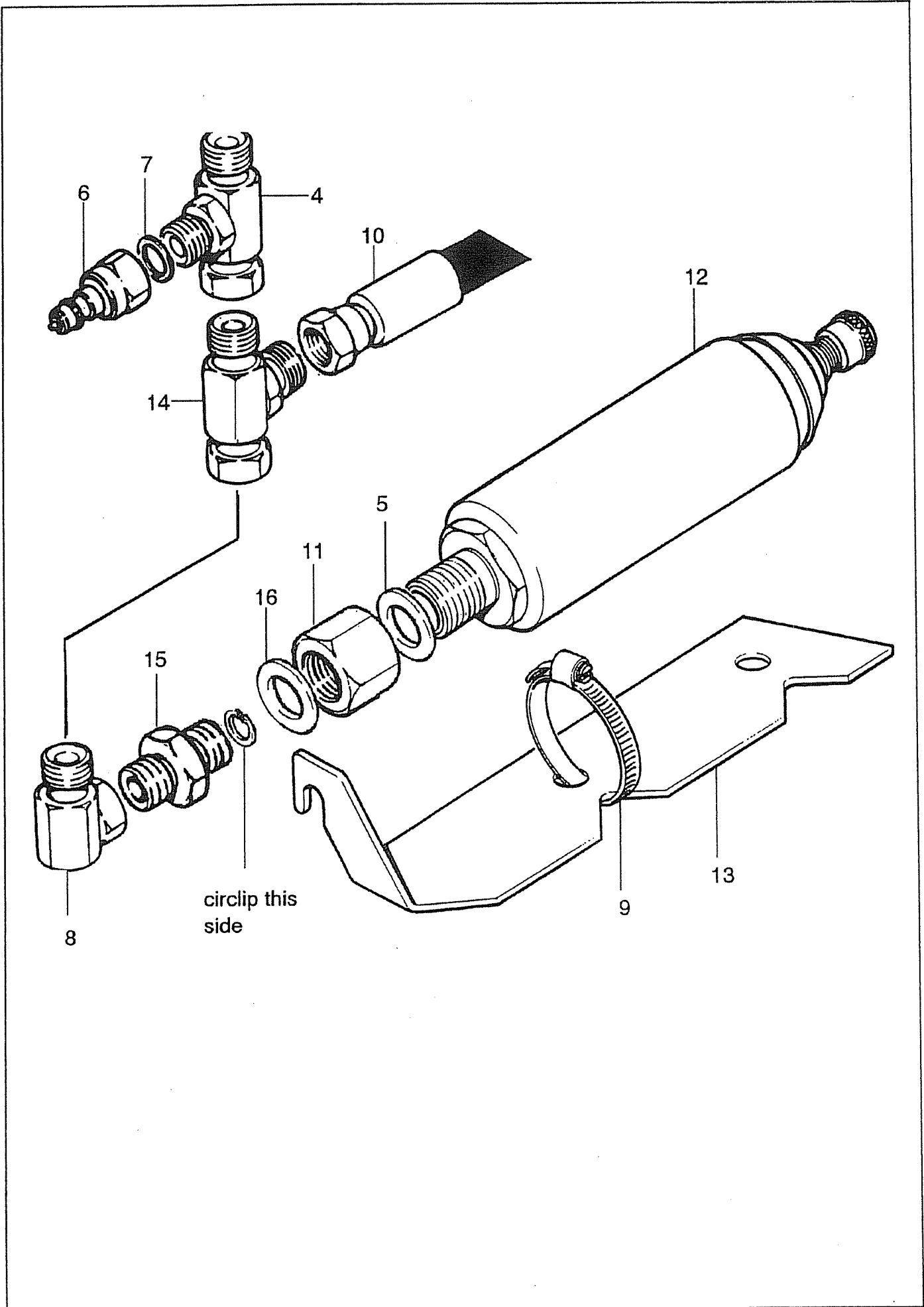
\*MAIN PART IN GROUP, RELATED PARTS HAVE SAME REFERENCE NUMBER.





REF	PART NO.	DESCRIPTION	QTY	SERIAL NO. FROM - TO
72.396.01 - 72.432.01		DECALS (B81-81)		
72.396.01 - 72.397.01		DECALS (B76-76)		
*01	08.728.05	DECAL - BOMFORD B76-76 LH	1	
*01	08.728.09	DECAL - BOMFORD B81-81 LH	1	
*02	08.728.06	DECAL - BOMFORD B76-76 RH	1	
*02	08.728.10	DECAL - BOMFORD B81-81 RH	1	
*03	03.785.01	DECAL - GREASE	4	
*04	30.222.31	DECAL - "DO NOT LUBRICATE"	1	
*05	06.007.05	DECAL - WEIGHT 1000KG	1	
*06	07.767.05	DECAL - INST MANUAL LARGE (BT)	1	
*07	02.948.01	DECAL - LIFTING POINT INST	1	
*08	30.023.32	FILLER LABEL (GEARBOX) 1180	1	
*10	30.141.05	WARNING DECAL 'S' SLEWING POSITION	1	
*11	02.950.01	DECAL - LIFTING POINT	1	
*12	07.333.01	DECAL - CAUTION	2	
*13	08.632.01	DECAL - TRANSPORT	2	
*15	08.631.01	DECAL - HYDRACUSHION INSTRUCTION	1	
*16	08.982.01	DECAL - SLEW CAUTION	2	

\*MAIN PART IN GROUP, RELATED PARTS HAVE SAME REFERENCE NUMBER



REF	PART NO.	DESCRIPTION	QTY	SERIAL NO. FROM - TO
70.911.01		ACCUMULATOR KIT (FAWCETT)		
*04	04.056.16	ADAPTOR F/M/M 3/8X3/8X1/4 BSP	1	
*05	05.117.01	COPPER WASHER 3/8" BSP	1	
*06	05.146.12	Q/R COUPLING 1/4" BSP MALE	1	
*07	05.290.02	BONDED SEAL 1/4"BSP	1	
*08	05.835.01	ADAPTOR-SWIVEL 90 3/8"BSP M/F	1	
*09	05.863.02	JUBILEE CLIP 2"DIA	2	
*10	05.991.08	HOSE 3/8"BSP X 400MM 90 X ST	1	
*11	08.128.12	ADAPTOR 3/4"F X 3/8"M	1	
*12	09.479.01	ACCUMULATOR 0.167 (FAWCETT)	1	
*13	09.480.01	BRACKET - ACCUMULATOR	1	
*14	11.068.69	ADAPTOR-TEE 3/8F-3/8M+3/8M	1	
*15	03.028.22	RESTRICTOR 3/8" X 3/8" X BSP (0.75mm)	1	
*16	05.290.04	BONDED SEAL 3/8"	1	

\*MAIN PART IN GROUP, RELATED PARTS HAVE SAME REFERENCE NUMBER