

PM1807

B71M

B80M

ARM MOWER

ISSUE 9

IMPORTANT

NOTE HERE THE SERIAL NUMBER OF YOUR MACHINE AND ALWAYS QUOTE IT IN ANY COMMUNICATION WITH US OR YOUR DEALER. THIS IS PARTICULARLY IMPORTANT WHEN ORDERING SPARES. REMEMBER TO INCLUDE ALL NUMBERS AND LETTERS.

MACHINE SERIAL NUMBERS _____

THE INFORMATION GIVEN THROUGHOUT THIS MANUAL IS CORRECT AT THE TIME OF PUBLICATION. HOWEVER, IN THE COURSE OF CONSTANT DEVELOPMENT OF BOMFORD TURNER MACHINES, CHANGES IN SPECIFICATION ARE INEVITABLE. SHOULD YOU FIND THE INFORMATION GIVEN IN THIS BOOK TO BE AT VARIANCE WITH THE MACHINE IN YOUR POSSESSION, YOU ARE ADVISED TO CONTACT THE BOMFORD TURNER SERVICE DEPARTMENT WHERE UP-TO-DATE INFORMATION WILL BE PROVIDED.

THE MANUAL CAN CONTAIN STANDARD AND OPTIONAL FEATURES AND IS NOT TO BE USED AS A MACHINE SPECIFICATION.

THE MACHINE HAS BEEN TESTED AND IS CONSIDERED SAFE IF CAREFULLY USED. ENSURE YOUR OPERATOR IS PROPERLY TRAINED IN ITS USE AND MAINTENANCE.

IMPORTANT

NOTEZ ICI LES NUMEROS DE SERIE DE VOTRE MACHINE ET MENTIONNEZ LES DANS TOUTE COMMUNICATION AVEC NOS SERVICES OU VOTRE REVENDEUR. CECI EST IMPORTANT POUR LA COMMANDE DE PIECES DETACHEES. PENSEZ A NOTER TOUS LES NUMEROS ET TOUTES LES LETTERS.

NUMEROS DE SERIE DE LA MACHINE _____

LES INFORMATIONS DONNEES DANS CE MANUEL SONT CORRECTES CEPENDANT, DU FAIT DE DEVELOPPEMENT CONSTANT DES MACHINES BOMFORD TURNER.

CHANGEMENTS DANS LES CARACTERISTIQUES SONT INEVITABLES.

SI VOUS TROUVEZ QUE LES INFORMATIONS DONNEES NE CORRESPONDENT PAS A VOTRE MACHINE VEUILLEZ CONTACTER LE SERVICE DES REPARATIONS OU DES INFORMATIONS PLUS RECENTES VOUS SERONT DONNEES.

CE MANUEL PEUT MONTRER DES CARACTERISTIQUES OPTIONNELLES ET NE PEUT PAS ETRE CONSIDERE COMME SPECIFICATION DE LA MACHINE.

CETTE MACHINE A ETE TESTEE, ET ELLE EST CONSIDEREE COMME FIABLE A CONDITION D'UNE BONNE UTILISATION. ASSUREZ-VOUS QUE VOTRE OPERATEUR EST QUALIFIE EN CE QUI CONCERNE L'UTILISATION DE LA MACHINE AINSI QUE SON ENTRETIEN.

WICHTIG

TRAGEN SIE HIER DIE SERIENNUMMERN IHRER MASCHINE EIN UND GEBEN SIE DIESE IMMER AN, WENN SIE SICH AN UNS ODER IHREN HÄNDLER WENDEN. DAS IST BESONDERS BEI ERSATZTEILBESTELLUNGEN WICHTIG. VERGESSEN SIE NICHT, ALLE ZAHLEN UND BUCHSTABEN ZU NOTIEREN.

SERIENNUMMERN DER MASCHINE _____

DIE ANGABEN IN DIESEM HANDBUCH SIND BEI VERÖFFENTLICHUNG KORREKT. AUFGRUND DER KONSTANTEN WEITERENTWICKLUNG VON BOMFORD TURNER MASCHINEN SIND JEDOCHÄNDERUGDEN IN DER SPEZIFIKATION UNVERMEIDLICH. WENN DIE INFORMATION IN DIESEM HANDBUCH NICHT MIT IHRER MASCHINE ÜBEREINSTIMMEN, NEHMEN SIE BITTE KONTAKT MIT DER BOMFORD TURNER KUNDENDIENSTABTEILUNG AUF, DIE IHNEN GERNE DIE AKTUELLEN INFORMATION ZUKOMMEN LÄSST.

DAS HANDBUCH KANN SOWOHL BESCHREIBUNGEN FÜR DIE STANDARD AUSFÜHRUNG ALS AUCH FÜR ZUBEHÖR ENTHALTEN UND IST NICHT ALS MASCHINENSPEZIFIKATION ZU VERWENDET.

DIE MASCHINE IST GETESTET UND BEI SACHGEMÄSSEM BETRIEB ALS SICHER BEFUNDEN WORDEN. SORGEN SIE DAFÜR, DASS IHR BEDIENPERSONAL IN ANWENDUNG UND WARTUNG RICHTIG GESCHULT WIRD.

B71M & B80M ARM MOWERS

PAGE AND ILLUSTRATION NUMBERS ARE USED ONLY FOR REFERENCE PURPOSES AND SHOULD NOT BE USED FOR ORDERING SPARE PARTS. PLEASE ENSURE THE CORRECT PART NUMBER AND DESCRIPTION IS GIVEN WHEN ORDERING SPARE PARTS.

FOR MACHINES WITH SERIAL NUMBERS COMMENCING FROM ..2426K/99....

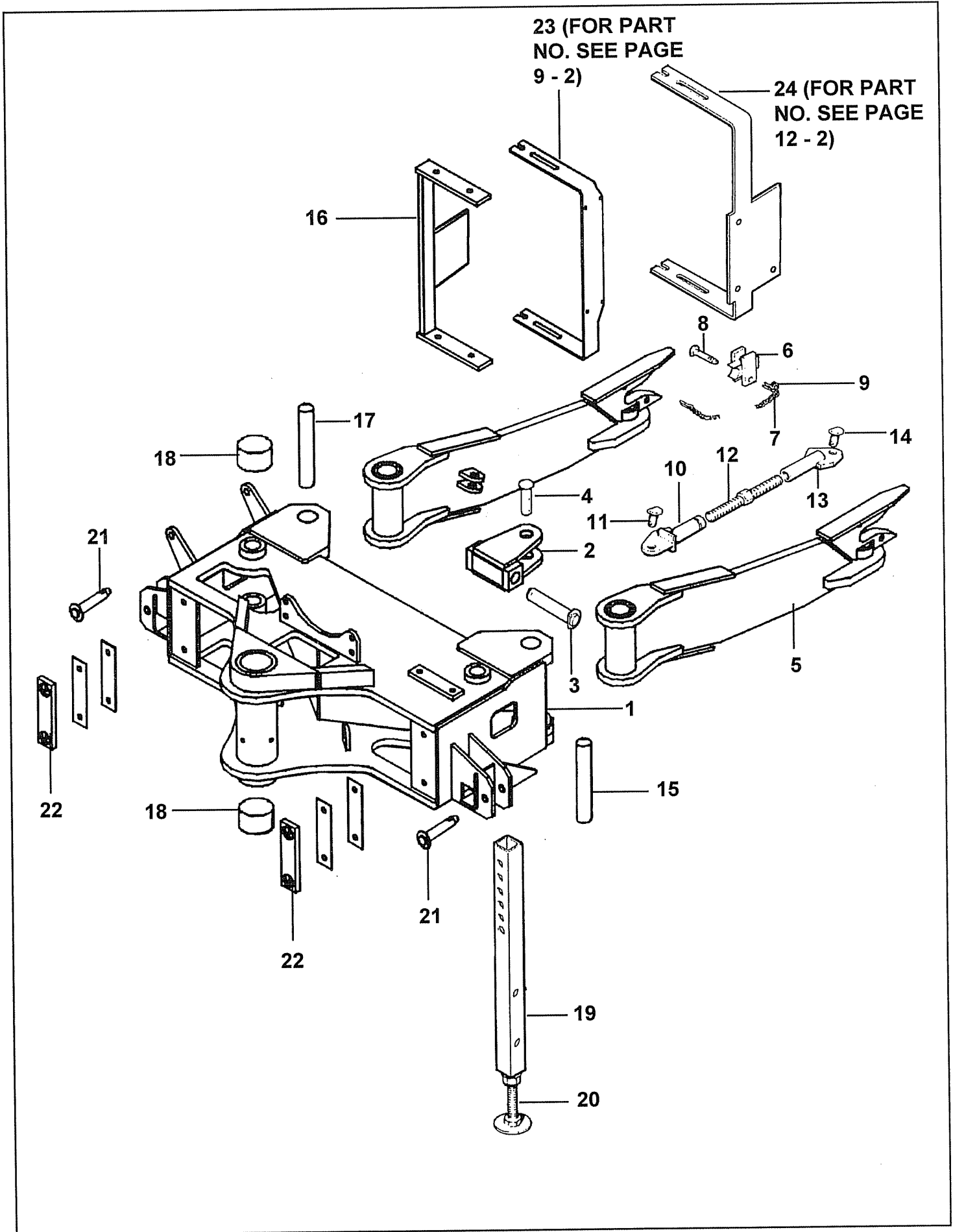
PAGE NO.	TITLE
2-1 TO 2-2	MAINFRAME ASSEMBLY
3-1 TO 3-2	KINGPOST ASSEMBLY
4-1 TO 4-2	TANK & FILTER ASSEMBLY
5-1 TO 5-4	FIRST ARM ASSEMBLY
6-1 TO 6-2	SECOND ARM ASSEMBLY
7-1 TO 7-3	THIRD ARM & COWL BRACKET ASSEMBLIES
8-1 TO 8-2	PTO SHAFT/GEARBOX/FRONT & REAR PUMP ASSEMBLIES
8-3 TO 8-4	PUMP CIRCUIT DIVERTER ELECTRIC
8-5 TO 8-6	PUMP CIRCUIT DSR ELECTRIC
8-7 TO 8-8	PUMP CIRCUIT DSR CABLE
8-9 TO 8-10	PUMP CIRCUIT DIVERTER CABLE
9-1 TO 9-4	CONTROL VALVE ASSEMBLY (ELECTRIC)
10-1 TO 10-5	REMOTE CONTROL ASSEMBLY CONTROL BOX ASSEMBLY
11-1 TO 11-2	EPP II RCA CAB SIDE MOUNTING
12-1 TO 12-2	CONTROL VALVE ASSY - (CABLE)
13-1 TO 13-2	REMOTE CONTROL ASSY - CABLE
14-1 TO 14-2	FIRST RAM/ACCUMULATOR CIRCUITS
15-1 TO 15-2	SECOND RAM CIRCUIT
16-1 TO 16-2	THIRD RAM CIRCUIT
17-1 TO 17-2	COWL & SLEW RAM CIRCUITS
18-1 TO 18-2	SLEW/BREAKOUT VALVE ASSEMBLY
19-1 TO 19-2	OIL COOLER ASSEMBLY
20-1 TO 20-3	DECALS

IMPORTANT

THIS MACHINE IS FOR VEGETATION CONTROL AND
MUST NOT BE USED FOR ANY OTHER PURPOSE

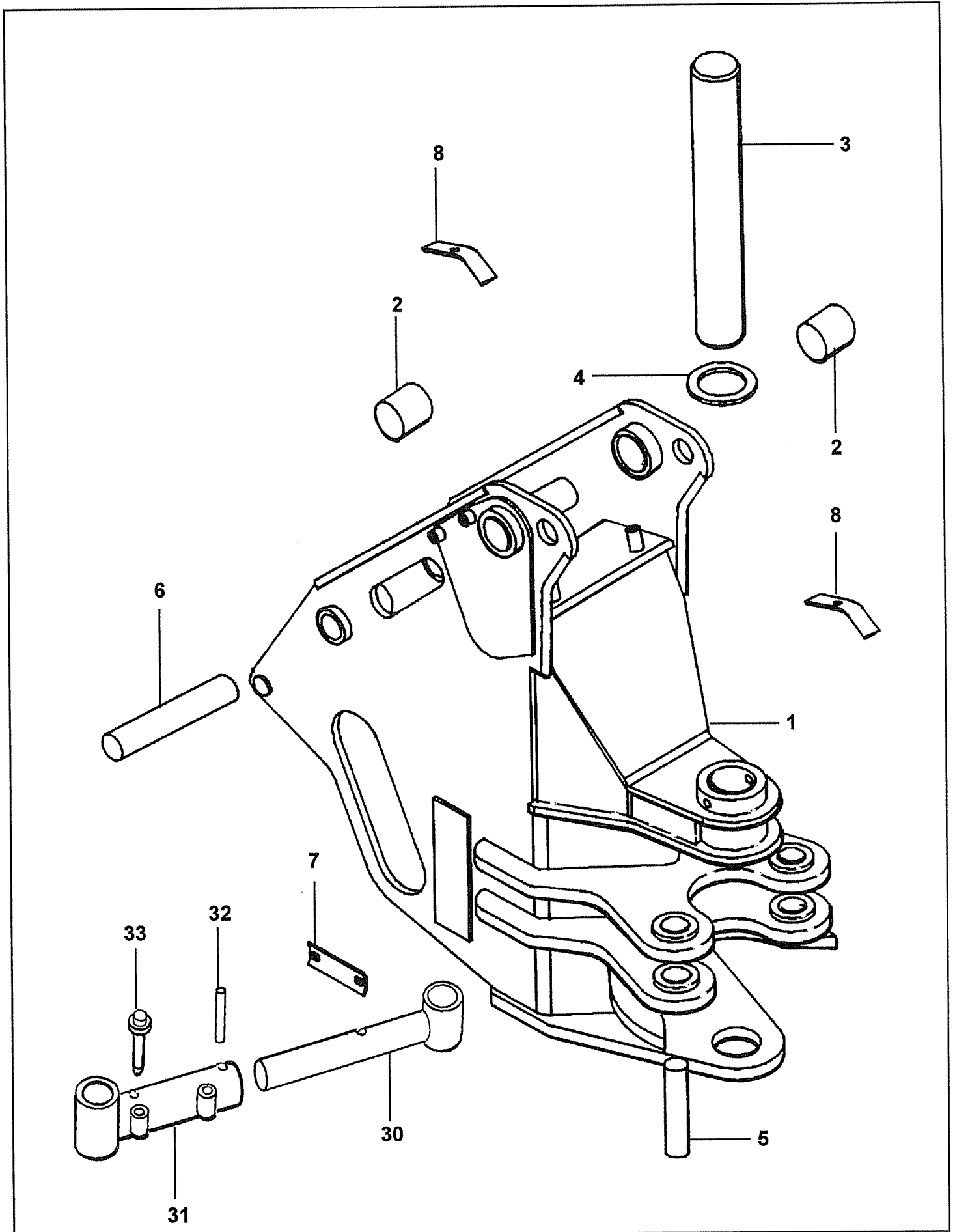
IT IS POTENTIALLY HAZARDOUS TO FIT OR USE
ANY PARTS OTHER THAN GENUINE BOMFORD TURNER PARTS

THE COMPANY DISCLAIMS ALL LIABILITY FOR THE
CONSEQUENCES OF SUCH USE, WHICH IN ADDITION
VOIDS THE MACHINE WARRANTY



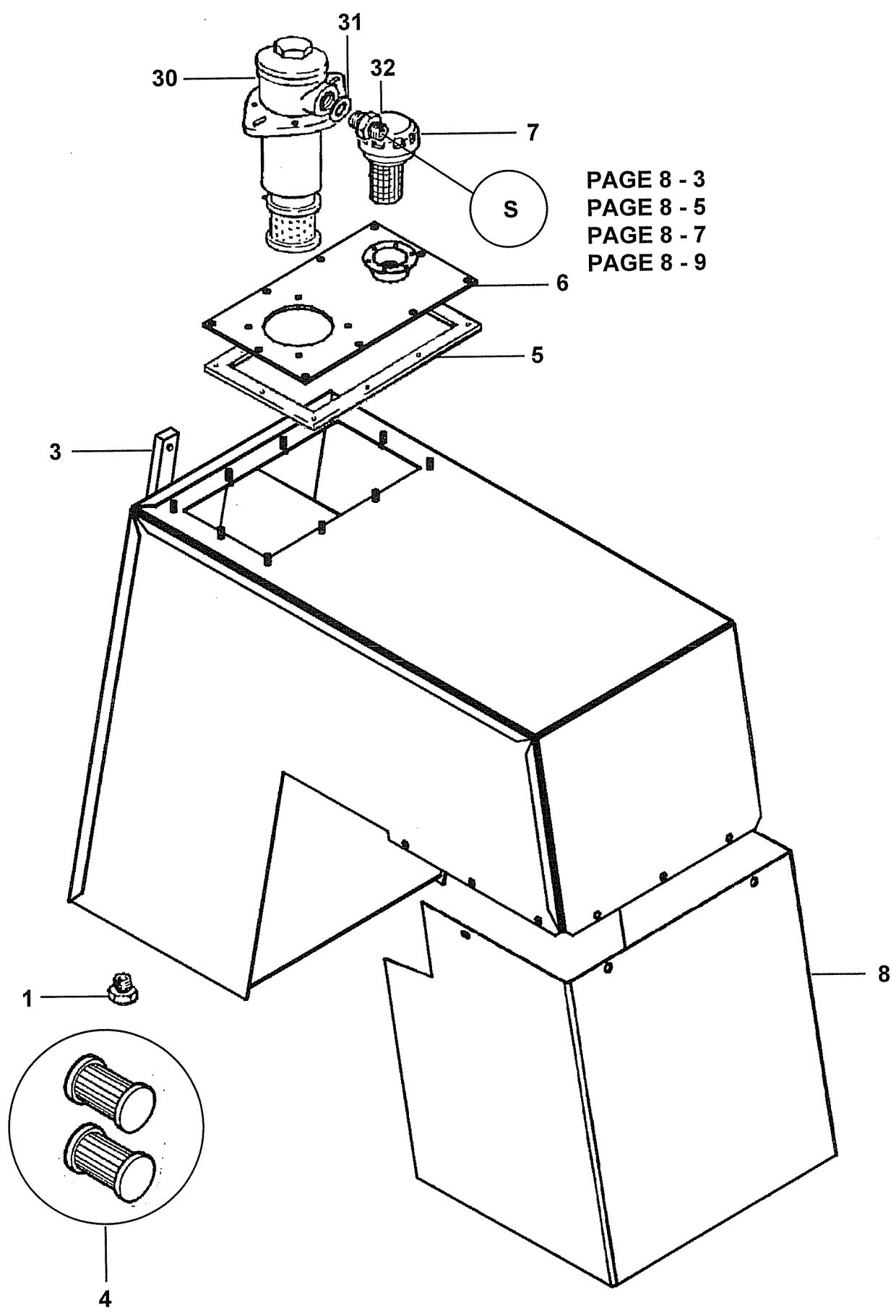
REF	PART NO	DESCRIPTION	QTY
76.618.01 MAINFRAME ASSEMBLY			
01	05.227.01	HAMMER DRIVE SCREW NO.6 X 3/8"	2
01	05.774.06	SERIAL NO.PLATE BOMFORD TURNER	1
01	05.953.03	GREASE NIPPLE M10	2
*01	42559.01	MAINFRAME	1
02	03.644.01	YOKE BRACKET	1
*03	03.654.01	PIN 30 DIA X 198	1
03	05.284.14	SPLIT COTTER 5MM X 40MM	1
03	05.953.03	GREASE NIPPLE M10	1
*04	03.654.02	PIN 30 DIA X 94	1
04	05.284.16	SPLIT COTTER 5MM X 50MM	1
04	05.953.03	GREASE NIPPLE M10	1
05	42705.01	MOUNTING FORK	2
06	03.719.01	CATCH PLATE	2
07	03.255.05	CHAIN-RING ASSY	2
08	03.650.01	PIN 12 DIA X 68	2
09	05.964.01	SPRING COTTER 3.6MM DIA	2
10	03.805.01	BRACKET-TIE ROD L.H.	2
*11	03.652.25	PIN 20 DIA X 137	2
11	05.284.03	SPLIT COTTER 3.2MM X 36MM	2
*12	03.804.01	TURNBUCKLE PLATED	2
12	05.286.06	NUT M24 PLATED	2
13	03.806.01	BRACKET-TIE ROD R.H.	2
*14	03.652.24	PIN 20 DIA X 75	2
14	05.284.03	SPLIT COTTER 3.2MM X 36MM	2
*15	03.657.33	PIN 50 DIA X 313	2
15	05.287.03	SELF-LOCKING NUT M12 PLATED	2
15	05.292.22	BOLT M12 X 90MM PLATED	2
16	05.264.22	SETSCREW M12 X 25MM PLATED	4
16	05.281.03	FLAT WASHER 12MM PLATED	4
16	05.282.03	SPRING WASHER 12MM PLATED	4
*16	43157.01	BRACKET - VALVE	1
*17	03.656.92	PIN 40 DIA X 317	2
17	05.287.02	SELF-LOCKING NUT M10 PLATED	2
17	05.292.11	BOLT M10 X 80MM PLATED	2
18	08.297.07	PLASTIC BUSH 80 X 70 - 70	2
19	42802.01	STAND - PARKING	2
20	30.141.34	ADJUSTER FOOT	2
21	00.372.01	LINCH PIN	2
*21	03.652.22	PIN 20DIA X 82	2
22	05.287.03	SELF-LOCKING NUT M12 PLATED	4
22	05.291.24	BOLT M12 X 45MM PLATED	4
*22	41499.01	STOP PAD	2
22	41651.01	SHIM 3MM	4

*MAIN PART IN GROUP, RELATED PARTS HAVE SAME REFERENCE NUMBER



REF	PART NO	DESCRIPTION	QTY
76.619.01 KINGPOST ASSEMBLY			
01	42560.02	KINGPOST	1
02	08.297.01	BUSH - PLASTIC 60 X 50 X 50	2
*03	03.658.09	PIN 70 DIA X 491	1
03	05.287.03	SELF-LOCKING NUT M12 PLATED	1
03	05.625.22	M12 X 120MM PLATED CAPSCREW	1
04	08.541.01	THRUST WASHER	1
*05	03.656.47	PIN - DIA 40 X 148	2
05	05.287.02	SELF-LOCKING NUT M10 PLATED	2
05	05.292.11	BOLT M10 X 80MM PLATED	2
05	05.953.01	GREASE NIPPLE M6	2
*06	03.656.91	PIN 40 DIA X 324	1
06	05.287.02	SELF-LOCKING NUT M10 PLATED	1
06	05.292.11	BOLT M10 X 80MM PLATED	1
07	05.264.11	SETSCREW M10 X 20MM PLATED	4
07	05.281.02	FLT WASHER 10MM PLATED FORM C	4
07	05.282.02	SPRING WASHER 10MM PLATED	4
*07	41621.01	CLAMP - PLATE	2
08	05.264.13	SETSCREW M10 X 30MM PLATED	2
08	05.282.02	SPRING WASHER 10MM PLATED	2
*08	41653.01	CLAMP - PLATE HOSE	2
72.176.01 PARKING STAY ASSEMBLY			
30	08.717.01	PARKING STAY INNER	1
31	05.953.01	GREASE NIPPLE M6	1
31*	08.718.02	PARKING STRUT OUTER	1
32	05.964.01	SPRING COTTER 3.6M DIA	1
32*	07.737.02	PIN - PARKING	1
33	05.964.01	SPRING COTTER	1
33*	03.652.03	PIN 20 DIA X 79	1

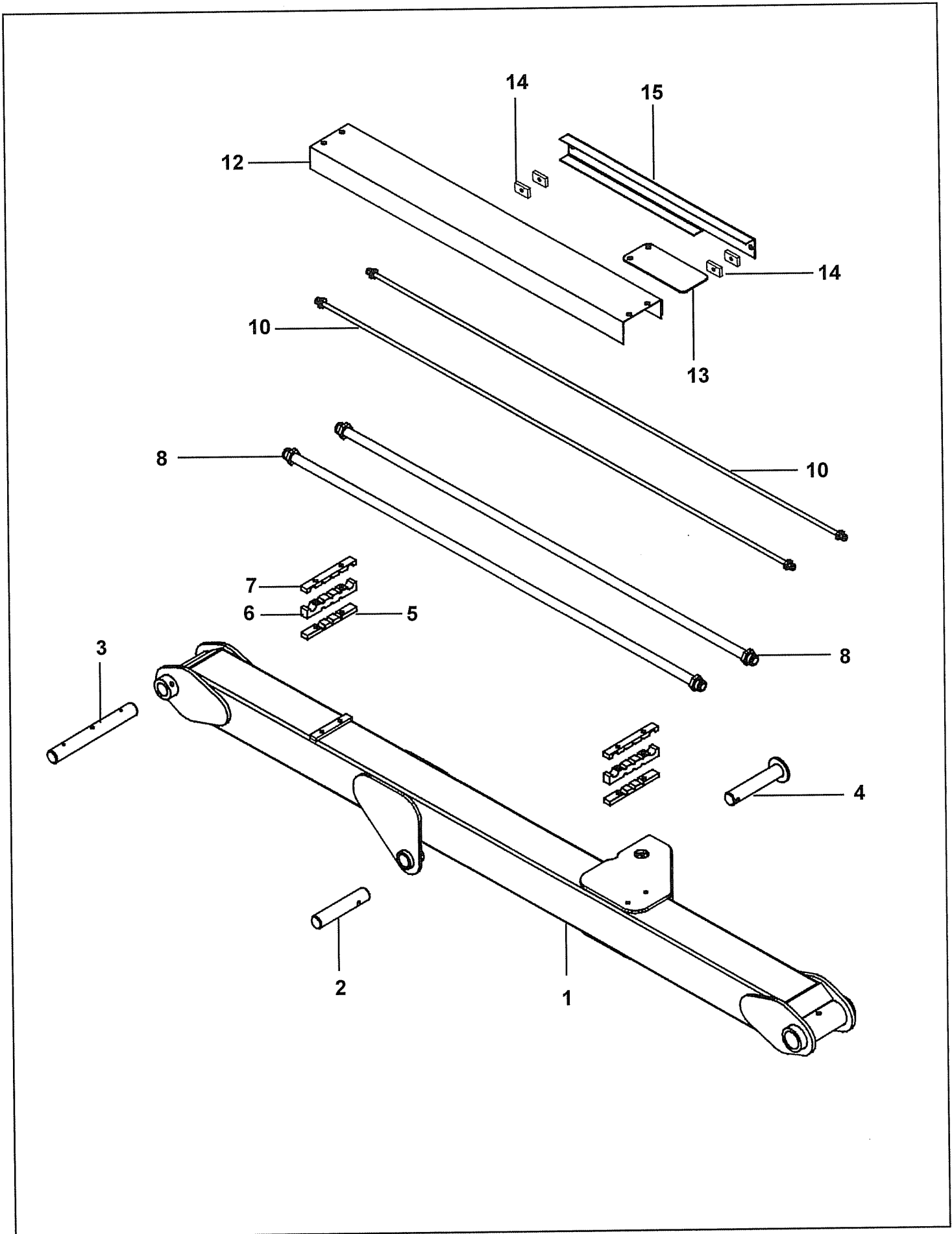
*MAIN PART IN GROUP, RELATED PARTS HAVE SAME REFERENCE NUMBER



PAGE 8 - 3
PAGE 8 - 5
PAGE 8 - 7
PAGE 8 - 9

REF	PART NO	DESCRIPTION	QTY
76.495.01/02 TANK ASSEMBLY			
01	05.264.37	SETSCREW M16 X 50MM PLATED	2
01	05.287.04	SELF-LOCKING NUT M16 PLATED	2
*01	05.495.01	PLUG 1/2"BSPT	1
01	30.216.54	RIVNUT M8 FLAT HD 16.0 LG	9
01	41518.02	TANK - OIL (BSP)	1
03	08.921.01	FLUID LEVEL GAUGE	1
04	8401047	UC-SE-1324 SUCTION	2
05	08.605.01	GASKET	1
06	05.281.01	FLAT WASHER 8MM PLATED	10
06	05.286.01	NUT M8 PLATED	10
*06	41.255.01	PLATE - FILLER/FILTER	1
07	06.966.02	FILLER BREATHER CAP & STRAINER	1
08	05.264.01	SETSCREW M8 X 20MM PLATED	4
08	05.281.01	FLAT WASHER 8MM PLATED	4
08	05.282.01	SPRING WASHER 8MM PLATED	4
*08	42567.01	COVER - TANK (ELECTRIC MACHINES)	1
08	42567.02	COVER - TANK (CABLE MACHINES)	1
74.803.01 FILTER ASSEMBLY			
30	05.264.01	SETSCREW M8 X 20MM PLATED	4
30	05.282.01	SPRING WASHER 8MM PLATED	4
*30	41.041.01	FILTER ASSEMBLY 125L	1
30	41.041.02	ELEMENT 125L	-
31	05.290.08	BONDED SEAL 1.1/4"BSP	1
32	05.131.01	ADAPTOR 1" X 1.1/4" BSP	1

*MAIN PART IN GROUP, RELATED PARTS HAVE SAME REFERENCE NUMBER

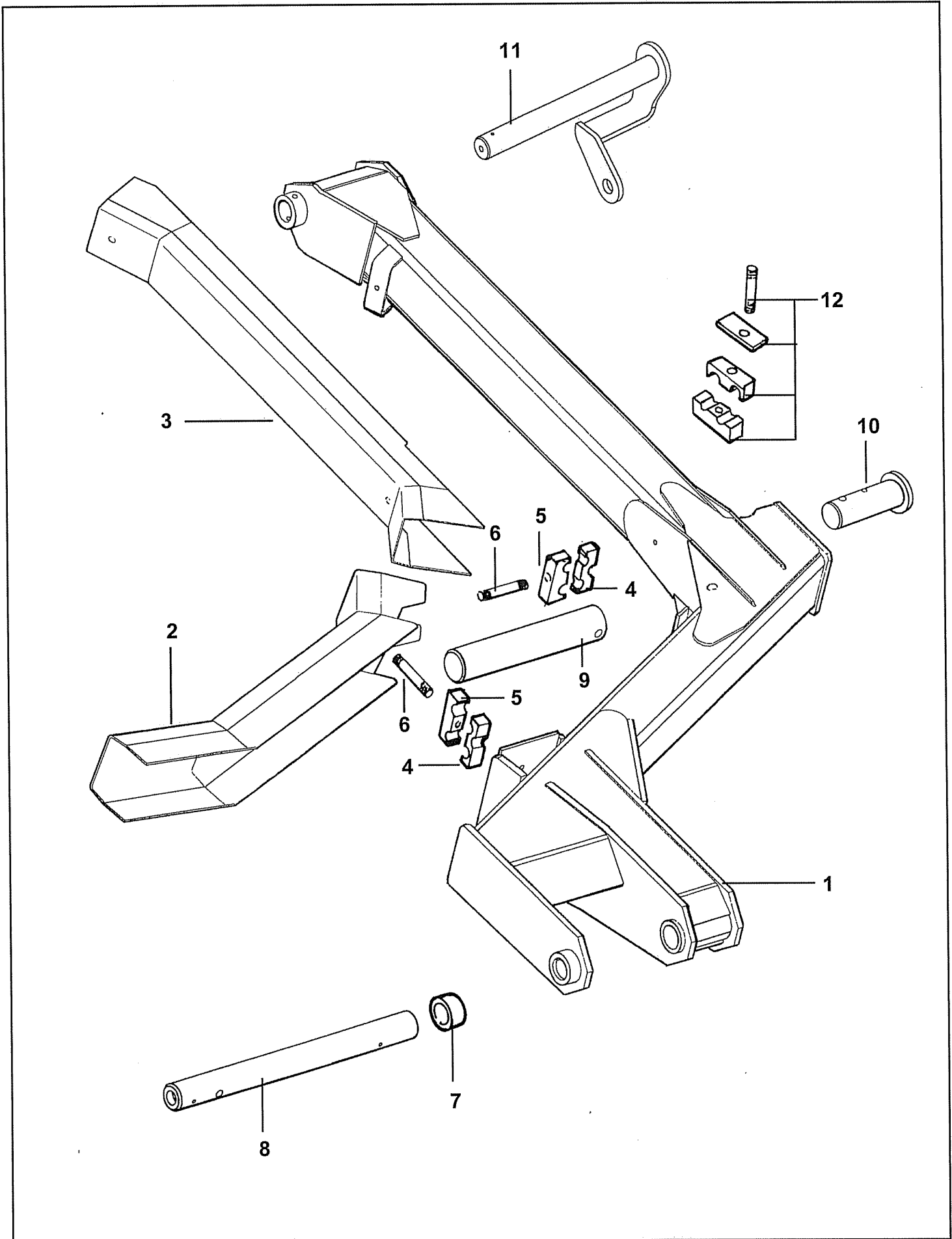


REF	PART NO	DESCRIPTION	QTY
76.620.01/76.621.01 ARM ASSEMBLY - FIRST			
01	43215.02 ▲	ARM - FIRST RH	1
01	42561.02 ●	ARM - FIRST RH	1
01	43215.01	ARM - FIRST LH	1
*02	43292.04	PIN 40 DIA	1
02	05.287.02	SELF-LOCKING NUT M10 PLATED	1
02	05.292.11	BOLT M10 X 80MM PLATED	1
*03	03.657.24	PIN - DIA 50 X 341	1
03	05.287.03	SELF-LOCKING NUT M12 PLATED	1
03	05.292.22	BOLT M12 X 90MM PLATED	1
03	05.953.01	GREASE NIPPLE M6	2
*04	03.656.89	PIN 40 DIA X 185	1
04	05.287.02	SELF-LOCKING NUT M10 PLATED	1
04	05.292.11	BOLT M10 X 80MM PLATED	1
05	41699.02	CLAMP - HOSE RIGID BOTTOM	2
06	41698.02	CLAMP - HOSE RIGID MIDDLE	2
07	41697.02	CLAMP - HOSE RIGID TOP	2
08	41614.04	HOSE - 1" BSP RIGID	2
10	06.693.01	CABLE TIE - RED	1
10	06.693.04	CABLE TIE - YELLOW	1
*10	41615.04	HOSE - 3/8" BSP RIGID	4
12	04.282.10	STUD M10 X 100MM	4
12	05.281.02	FLAT WASHER 10MM PLATED FORM C	2
12	05.282.02	SPRING WASHER 10MM PLATED	4
12	05.286.02	NUT M10 PLATED	4
*12	42700.01	GUARD - HOSE FIRST ARM LH	1
12	42700.03	GUARD - HOSE FIRST ARM RH	1
13	42691.01	COVER - HOSE	1
14	04.282.66	STUD - M10 X 56	2
14	05.281.02	FLAT WASHER 10MM PLATED FORM C	2
14	05.282.02	SPRING WASHER 10MM PLATED	2
14	05.286.02	NUT M10 PLATED	2
*14	06.430.04	CLAMP HOSE	4
15	42701.01	GUARD - HOSE SECOND RAM LH	1
15	42701.02	GUARD - HOSE SECOND RAM RH	1

● MACHINES UP TO SERIAL NO. 2442K/99

▲ MACHINES FROM SERIAL NO. 2443K/99

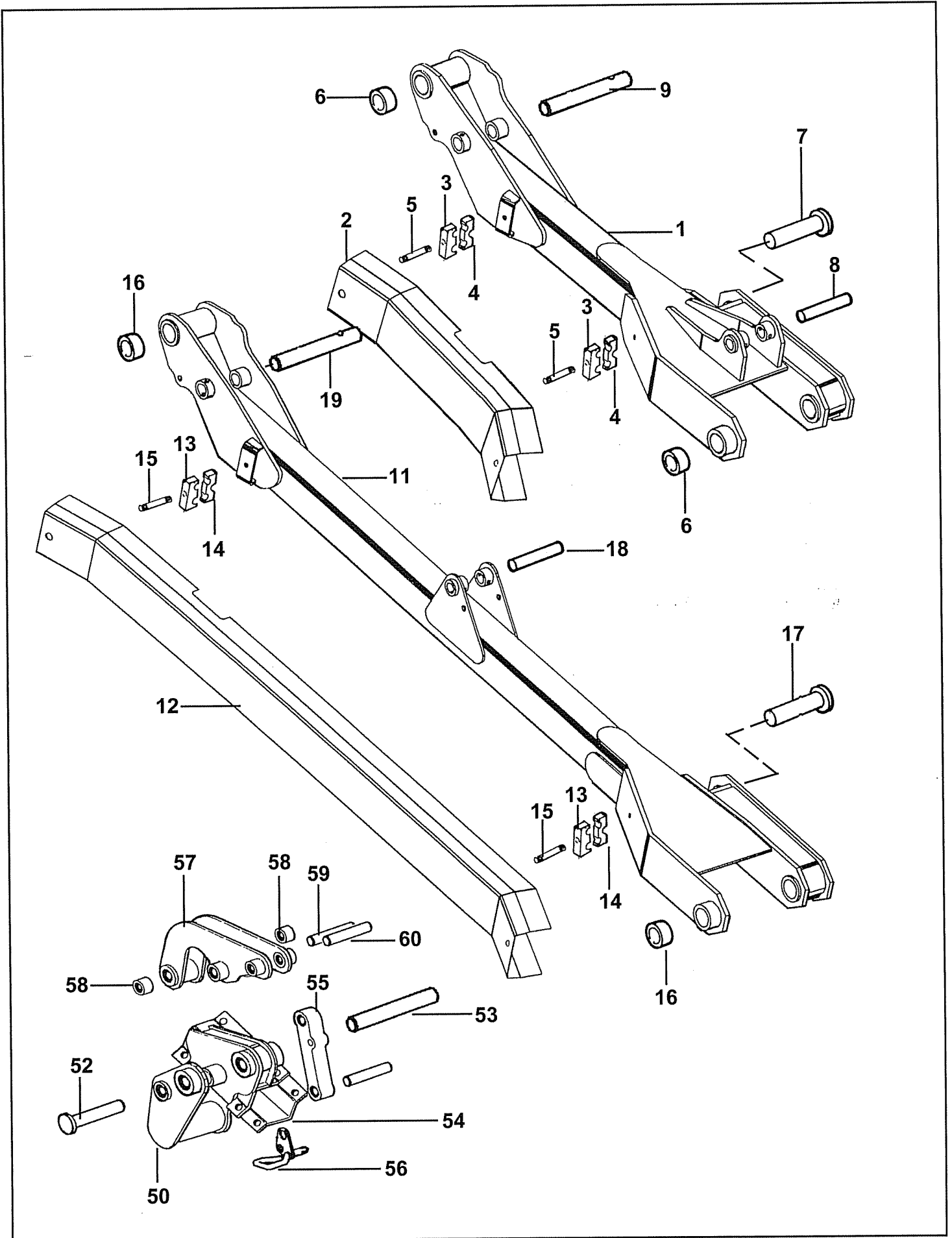
*MAIN PART IN GROUP, RELATED PARTS HAVE SAME REFERENCE NUMBER



REF	PART NO	DESCRIPTION	QTY
76.622.01/76.623.01 SECOND ARM ASSEMBLY LH/RH			
01	43144.01▲	ARM - SECOND LH	1
01	43144.03▼	ARM - SECOND LH	1
01	43144.02▲	ARM - SECOND RH	1
01	43144.04▼	ARM - SECOND RH	1
02	43149.02	HOSE GUARD SECOND ARM (SHORT)	1
03	43149.01	HOSE GUARD SECOND ARM (LONG)	1
04	06.430.17	HOSE CLAMP - UPPER	4
05	06.430.24	HOSE CLAMP - LOWER	4
*06	04.282.69	STUD - M10 X 105	4
06	05.281.02	FLT WASHER 10MM PLATED FORM C	4
06	05.282.02	SPRING WASHER 10MM PLATED	4
06	05.286.02	NUT M10 PLATED	4
07	08.297.02	BUSH - PLASTIC 47 X 40 X 40	3
08	03.068.01	SPECIAL SETSCREW M12 X 25	2
*08	03.656.96	PIN 40 DIA - 424 LONG	1
08	05.282.03	SPRING WASHER 12MM PLATED	2
08	05.287.02	SELF-LOCKING NUT M10 PLATED	1
08	05.292.11	BOLT M10 X 80MM PLATED	1
08	05.953.01	GREASE NIPPLE M6	2
08	07.942.01	WASHER - M12 SPECIAL	2
*09	03.656.95	PIN 40 DIA - 220 LONG	1
09	05.287.02	SELF-LOCKING NUT M10 PLATED	1
09	05.292.11	BOLT M10 X 80MM PLATED	1
*10	03.655.50	PIN 35 DIA - 118 LONG	1
10	05.287.02	SELF-LOCKING NUT M10 PLATED	1
10	05.291.18	BOLT M10 X 65 PLATED	1
10	05.953.01	GREASE NIPPLE M6	1
11	03.068.01	SPECIAL SETSCREW M12 X 25	2
*11	43292.38	PIN 40 DIA	1
11	05.282.03	SPRING WASHER 12MM PLATED	2
11	05.287.02	SELF-LOCKING NUT M10 PLATED	1
11	05.292.11	BOLT M10 X 80MM PLATED	1
11	05.953.01	GREASE NIPPLE M6	2
11	07.942.01	WASHER - M12 SPECIAL	2
12	05.264.08	SETSCREW - M8 X 55	1
12	05.281.01	FLAT WASHER 8MM PLATED	1
12	05.282.01	SPRING WASHER 8MM PLATED	1
12	06.418.03	CLAMP PLATE	1
*12	06.430.04	CLAMP HOSE	2

▲ Up to Serial Number
▼ From Serial Number

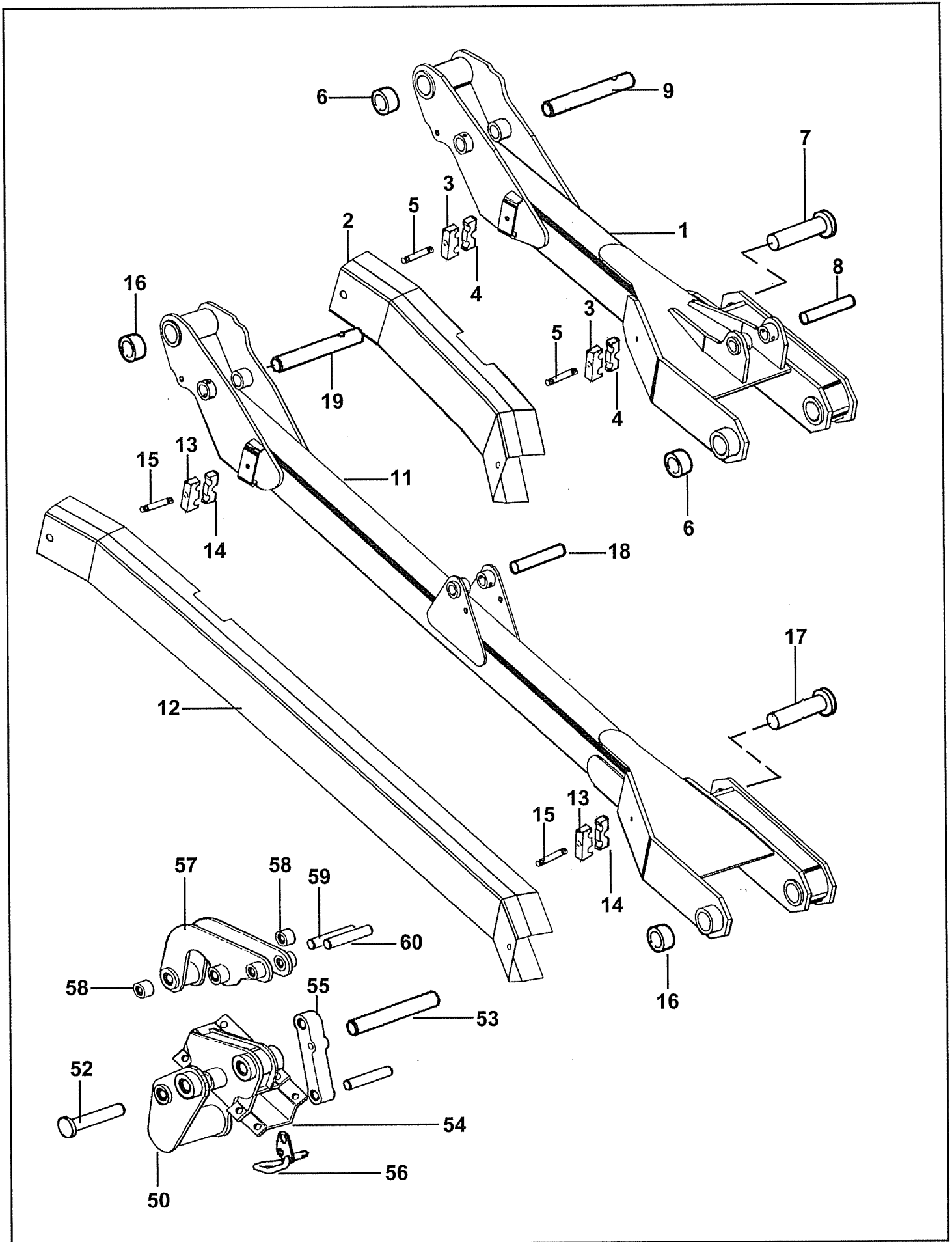
*MAIN PART IN GROUP, RELATED PARTS HAVE SAME REFERENCE NUMBER



REF	PART NO	DESCRIPTION	QTY
76.626.01/76.627.01 THIRD ARM ASSY B71M LH/RH 7435			
01	43152.01 □	ARM - THIRD LH	1
01	43152.02 ●	ARM THIRD RAM	1
02	43150.02	HOSE GUARD THIRD ARM B71M	1
03	06.430.17	HOSE CLAMP - UPPER	2
04	06.430.24	HOSE CLAMP - LOWER	1
*05	04.282.69	STUD - M10 X 105	2
05	05.281.02	FLT WASHER 10MM PLATED FORM C*	2
05	05.282.02	SPRING WASHER 10MM PLATED*	2
05	05.286.02	NUT M10 PLATED*	2
06	08.297.02	BUSH - PLASTIC 47 X 40 X 40	5
*07	03.655.49	PIN 35 DIA - 128 LONG	1
07	05.287.02	SELF-LOCKING NUT M10 PLATED*	1
07	05.291.18	BOLT M10 X 65 PLATED*	1
07	05.953.01	GREASE NIPPLE M6*	1
*08	03.653.58	PIN - DIA 25 X 138	1
08	05.287.01	SELF-LOCKING NUT M8 PLATED*	1
08	05.625.29	SOCKET CAPSCREW M8 X 50 PLATED	1
09	03.654.60	PIN DIA 30 x 164	1
09	05.287.01	SELF-LOCKING NUT M2	1
09	05.625.30	SOCKET CAPSCREW M8 X 55	1
76.625.01/76.624.01 THIRD ARM ASSY B80M LH/RH 7435			
11	43145.02 ●	ARM - THIRD RH	1
11	43145.01 □	ARM - THIRD LH	1
12	43150.01	HOSE GUARD THIRD ARM	1
13	06.430.17	HOSE CLAMP - UPPER	2
14	06.430.24	HOSE CLAMP - LOWER	1
*15	04.282.69	STUD - M10 X 105	2
15	05.281.02	FLT WASHER 10MM PLATED FORM C*	2
15	05.282.02	SPRING WASHER 10MM PLATED*	2
15	05.286.02	NUT M10 PLATED*	2
16	08.297.02	BUSH - PLASTIC 47 X 40 X 40	5
*17	03.655.49	PIN 35 DIA - 128 LONG	1
17	05.287.02	SELF-LOCKING NUT M10 PLATED*	1
17	05.291.18	BOLT M10 X 65 PLATED*	1
17	05.953.01	GREASE NIPPLE M6*	1
*18	03.653.58	PIN - DIA 25 X 138	1
18	05.287.01	SELF-LOCKING NUT M8 PLATED*	1
18	05.625.29	SOCKET CAPSCREW M8 X 50 PLATED	1
19	03.654.60	PIN 30 DIA Z 164	1
19	05.287.01	SELF-LOCKING NUT M8	1
19	05.625.30	SOCKET CAPSCREW M8 X 55	1

□ LH MACHINES
● RH MACHINES

*MAIN PART IN GROUP, RELATED PARTS HAVE SAME REFERENCE NUMBER

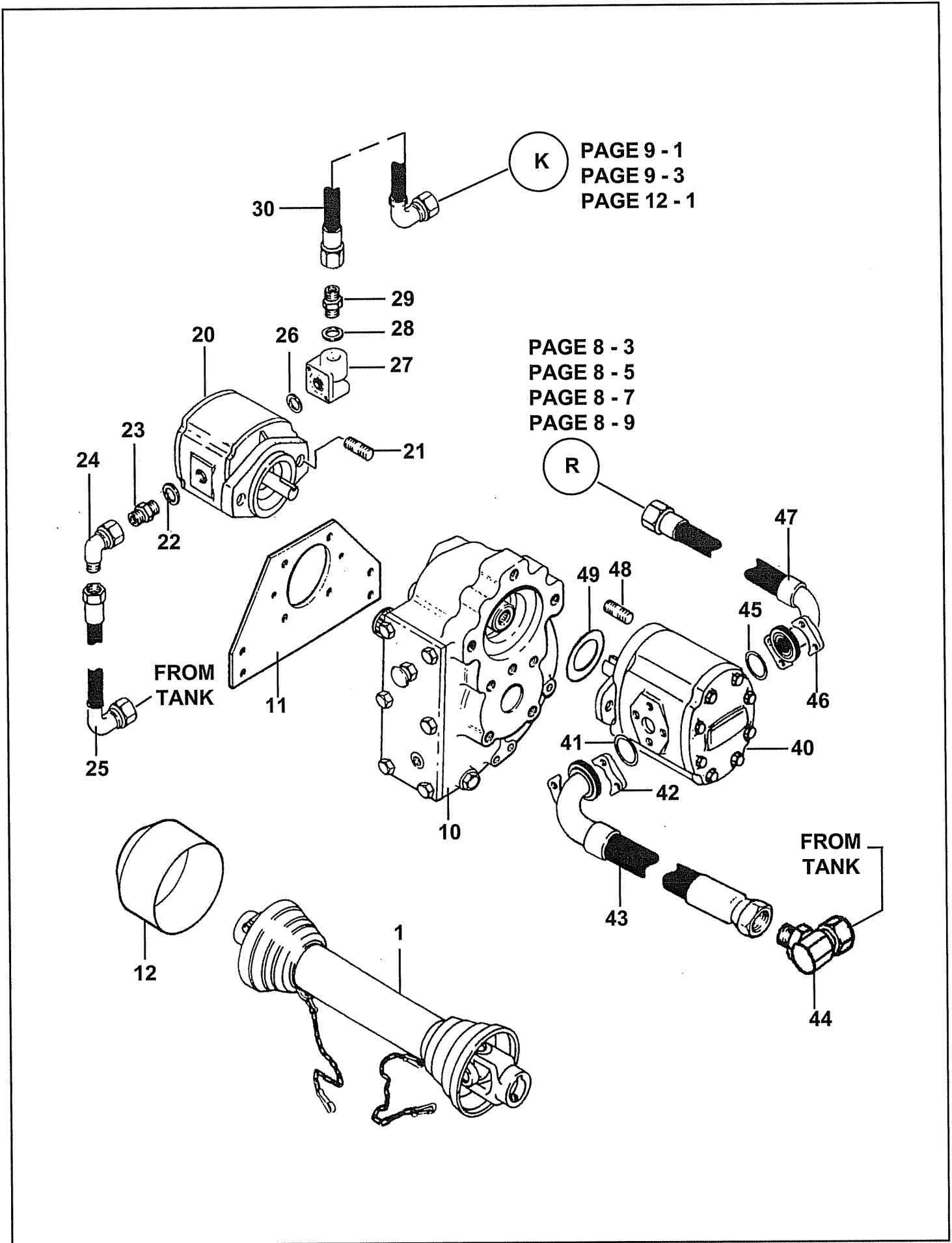


REF	PART NO	DESCRIPTION	QTY
76.676.01/02 COWL BRKT & LINKAGE LH/RH 5032			
For machines up to serial number 1310L/00			
50	09.662.01 □	BRACKET - COWL LH	1
50	09.662.02 ●	BRACKET - COWL RH	1
*52	03.655.27	PIN - DIA 35 X 184	1
For machines from serial number 1311L/00			
50	43290.01 □	BRACKET COWL LH	1
50	43290.02 ●	BRACKET COWL RH	1
52	43292.01	PIN - DIA 40 X252	1
52	05.282.02	SPRING WASHER 10MM PLATED*	1
52	05.287.02	SELF-LOCKING NUT M10 PLATED*	1
52	05.291.18	BOLT M10 X 65 PLATED*	1
53	03.656.41	PIN 40 DIA X 278	1
53	05.282.02	SPRING WASHER 10MM PLATED*	1
53	05.286.02	NUT M10 PLATED*	1
53	05.292.11	BOLT M10 X 80MM PLATED*	1
54	05.264.37	SETSCREW M16 X 50MM PLATED*	5
54	05.282.04	SPRING WASHER 16MM PLATED*	5
54	05.286.04	NUT M16 PLATED*	5
*54	09.664.01	PLATE - COWL CLAMP	1
55	05.953.01	GREASE NIPPLE M6*	1
*55	05.953.05	GREASE NIPPLE M6 X 90DEG	1
55	09.786.01	LINK	1
56	05.282.04	SPRING WASHER 16MM PLATED*	1
56	05.286.04	NUT M16 PLATED*	1
*56	41.040.01 □	BRACKET HOSE LH	1
56	41.040.02 ●	BRACKET HOSE RH	1
57	05.953.03	GREASE NIPPLE M10*	1
*57	09.785.01	BRACKET - COWL LINK	1
58	08.297.05	PLASTIC BUSH - 42 X 35 - 30	2
*59	03.654.59	PIN - DIA 30 X 128	1
59	05.287.01	SELF-LOCKING NUT M8 PLATED*	1
59	05.625.30	SOCKET CAPSCREW M8 X 55 PLATED	1
*60	03.653.59	PIN - DIA 25 X 128	1
60	05.287.01	SELF-LOCKING NUT M8 PLATED*	1
60	05.625.29	SOCKET CAPSCREW M8 X 50 PLATED	1

□ LH MACHINES

● RH MACHINES

*MAIN PART IN GROUP, RELATED PARTS HAVE SAME REFERENCE NUMBER

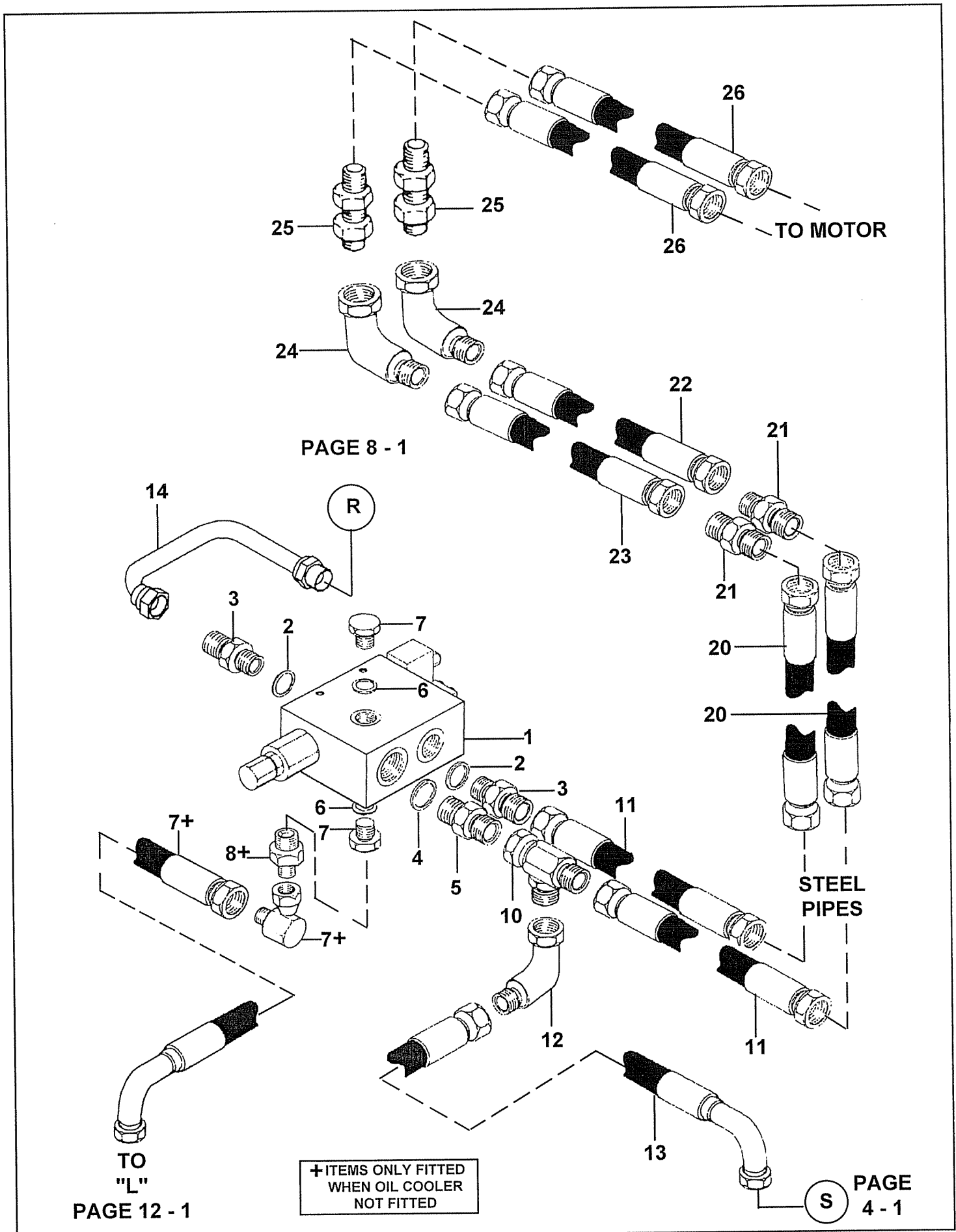


REF	PART NO	DESCRIPTION	QTY	
76.499.01 PTO SHAFT ASSEMBLY				
*01	41624.01	PTO SHAFT ASSY 560 MM C/C	1	
01	41624.31	CROSS JOURNAL SET	-	
01	41624.32	COMPLETE SHIELD	-	
76.500.01 GEARBOX ASSEMBLY				
10	05.264.23	SETSCREW M12 X 30MM	4	
10	05.281.03	FLAT WASHER 12MM PLATED	4	
10	05.282.03	SPRING WASHER 12MM PLATED	4	
10	07.727.56 ♥	O RING	1	
*10	07.727.02 ♥	GEARBOX HITON LS 3:1 SAE B/A	1	
	42693.02 ♦	GEARBOX - CAST IRON	1	
11	05.264.25	SETSCREW M12 X 40MM	4	
11	05.281.03	FLAT WASHER 12MM PLATED	4	
11	05.282.03	SPRING WASHER 12MM PLATED	4	
11	05.286.03	NUT M12 PLATED	4	
*11	42565.01 ♥	PLATE - GEARBOX	1	
11	46064.11 ♦	PLATE - GEARBOX	1	
12	05.281.01	FLAT WASHER 8MM PLATED	2	
12	05.282.01	SPRING WASHER 8MM PLATED	2	
12	05.839.03	SETSCREW M8 X 16MM PLATED	2	
*12	08.548.01	GUARD - PLASTIC PTO CUP	1	
76.501.01 FRONT PUMP ASSEMBLY				
20	09.537.05	GEAR PUMP - ULTRA 1P X 210	1	
*21	03.100.01	STUD M10 X 34MM	2	
21	05.287.02	SELF-LOCKING NUT M10 PLATED	2	
22	05.290.05	BONDED SEAL 1/2"BSP	1	
23	05.370.01	ADAPTOR 3/4" X 1 BSP	1	
24	05.835.02	ADAPTOR-SWIVEL 90 1"BSP M/F	1	
25	10.012.13	HOSE 1"BSP ST X 90 S.SEAL 650	1	
26	30.210.92	O RING 200-121-4490	1	
27	05.625.25	SCKT CAPSCREW 5/16"UNC X 2.1/4	2	
*27	30.210.91	CONNECTOR 1P E4Z OUT - PLATED	1	
28	05.290.05	BONDED SEAL 1/2"BSP	1	
29	05.122.01	ADAPTOR 1/2" BSP X 1/2" BSP	1	
30	10.006.14	HOSE 1/2"BSP ST X 90 S.SEAL 700	1	
76.638.01/76.639.01/76.639.02 REAR PUMP GEAR 125L				
40	09.536.01	GEAR PUMP - ULTRA 3PL	1	
41	8600303	O RING 200-225-4490	1	
42	0342104	CAPSCREW 1/2"UNC 1.1/4"LGBZP	4	
*42	41.294.01	SPLIT FLANGE 1.1/2"SAE 3000PSI	1	
43	10.024.11 □	HOSE 1.5"BSP ST X 90 FLANGE 700	1	
43	10.024.07 ●	HOSE 1.5" BSP ST X 90 FLANGE 1000	1	
44	05.835.10	ADAPTOR 90 SWIVEL 1.1/2"BSP MF	1	
45	8600124	O RING 200-219-4490	1	
*46	01.697.03	SPLIT FLANGE 1"SAE 3000 PSI	1	
46	0342103	CAPCREW 3/8"UNC 1.1/4"LGBZP	4	
47	10.022.41 ▲	HOSE 1"BSP ST X 90 FLANGE 570	1	
47	10.022.42 *	HOSE 1"BSP ST X 90 FLANGE X 460	1	
47	10.022.43 ◇	HOSE 1"BSP X 90 FLANGE X 480	1	
*48	04.282.74	STUD - M12 X 46	2	
48	05.281.03	FLAT WASHER 12MM PLATED	2	
48	05.287.03	SELF-LOCKING NUT M12 PLATED	2	
49	41421.01	GASKET - PUMP FACE	1	
	●	RH MACHINES	▲	CABLE/ELEC. DIV. VALVE
	□	LH MACHINES	◇	CABLE DSR VALVE
			*	ELEC. DSR VALVE

♥ UP TO SERIAL NO. 1399NA/02

♦ FROM SERIAL NO. 1400NA/02

MAIN PART IN GROUP, RELATED PARTS HAVE SAME REFERENCE NUMBER



REF	PART NO	DESCRIPTION	QTY
76.628.01/02 PUMP CIRCUIT- REAR LH DIV ELECTRIC			
01	05.281.01	FLAT WASHER 8MM PLATED	2
01	05.282.01	SPRING WASHER 8MM PLATED	2
01	05.291.10	BOLT M8 X 75MM PLATED	2
*01	08.943.01	RELIEF VALVE/DIVERTER-ELECTRIC	1
01	08.943.02	SEAL KIT - FOR 08.943.01	-
02	05.290.06	BONDED SEAL 3/4"BSP	2
03	05.373.01	ADAPTOR 3/4"BSP X 1"BSP	2
04	05.290.07	BONDED SEAL 1"BSP	1
05	05.434.01	ADAPTOR 1"BSP X 1"BSP	1
06	05.290.04	BONDED SEAL 3/8"BSP	2
07	05.433.01	PLUG 3/8"BSP PLATED	2
+07	05.835.05	ADAPTOR SWIVEL 90 1/2" BSP	1
+ 07	10.006.12	HOSE 1/2" BSP ST X 90 X 600	1
+ 08	05.123.01	ADAPTOR 1/2" BSP X 3/8" BSP	1
10	04.056.02	ADAPTOR-SWIVEL TEE 1"BSP F/M/M	1
11	10.011.29	HOSE 1"BSP ST X ST S.SEAL 1900	1
12	30.052.66	1" BSP M/F SWEPT ELBOWS	1
13	10.012.21	HOSE 1"BSP ST X 90 S.SEAL 1100	1
14	42704.01	PIPE - HYDRAULIC	1

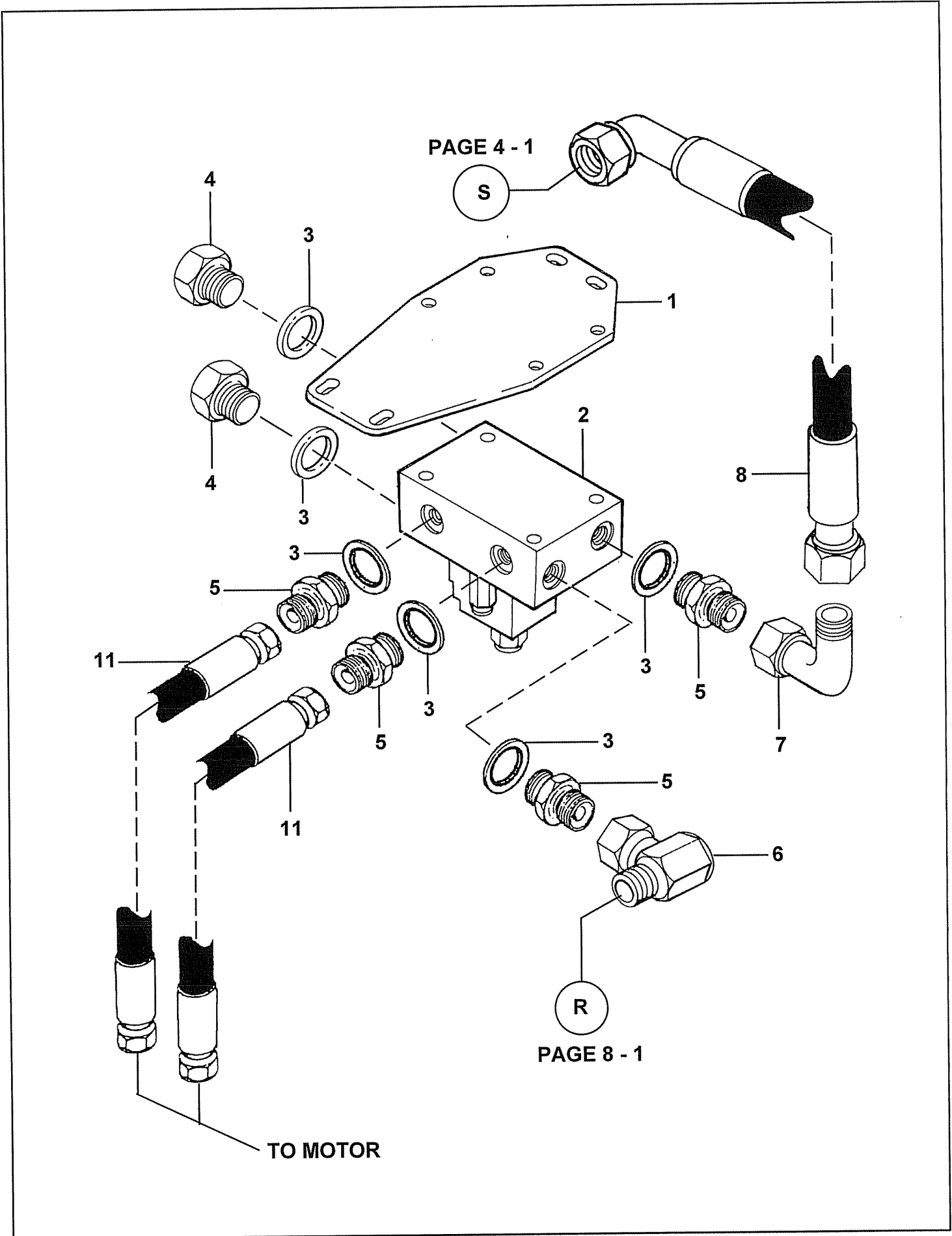
76.640.01/02/03/04 HOSE CIRCUIT - MOTOR GEAR

20	10.011.40	HOSE 1" BSP ST X ST 3000	2
21	05.434.01	ADAPTOR 1" BSP X 1" BSP	2
22	10.011.42	□ HOSE 1" BSP ST X ST X 3200	1
22	10.011.34	● HOSE 1" BSP ST X ST X 2200	1
23	10.011.44	□ HOSE 1" BSP ST X ST X 3400	1
23	10.011.34	● HOSE 1" BSP ST X ST X 2400	1
24	30.052.66	1" BSP M/F SWEPT ELBOW	2
25	08.128.03	ADAPTOR 1" BSP BULKHEAD C/W L.NUT	2
26	10.011.26	◇ HOSE 1" BSP ST X ST X 1600	2
26	10.011.22	▲ HOSE 1" BSP ST X ST X 1200	2

- B71 MACHINES
- B80 MACHINES
- ◇ LH MACHINES
- ▲ RH MACHINES

+ FITTED WHEN NO OIL COOLER FITTED TO MACHINE

*MAIN PART IN GROUP, RELATED PARTS HAVE SAME REFERENCE NUMBER



PAGE 4 - 1

S

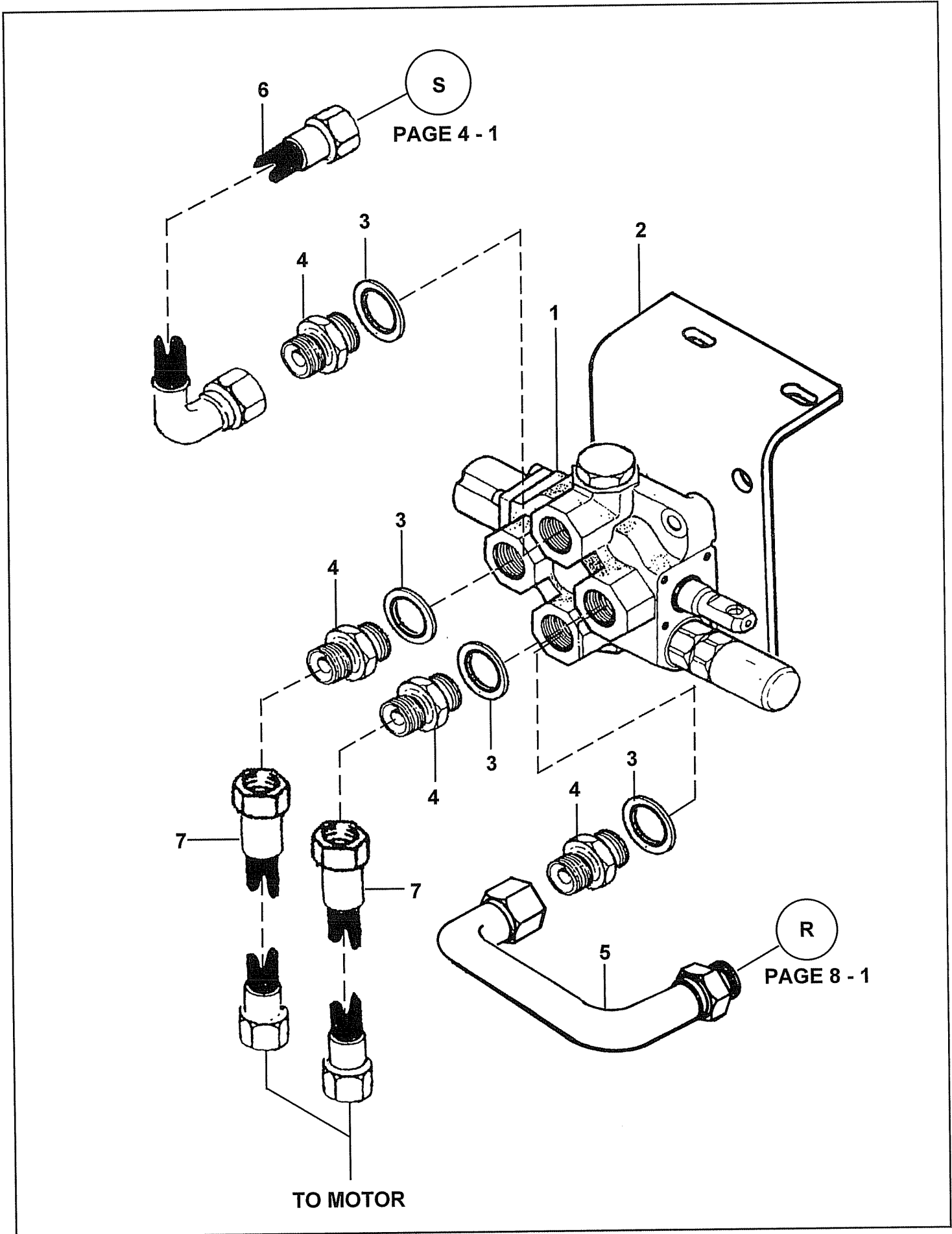
PAGE 8 - 1

R

TO MOTOR

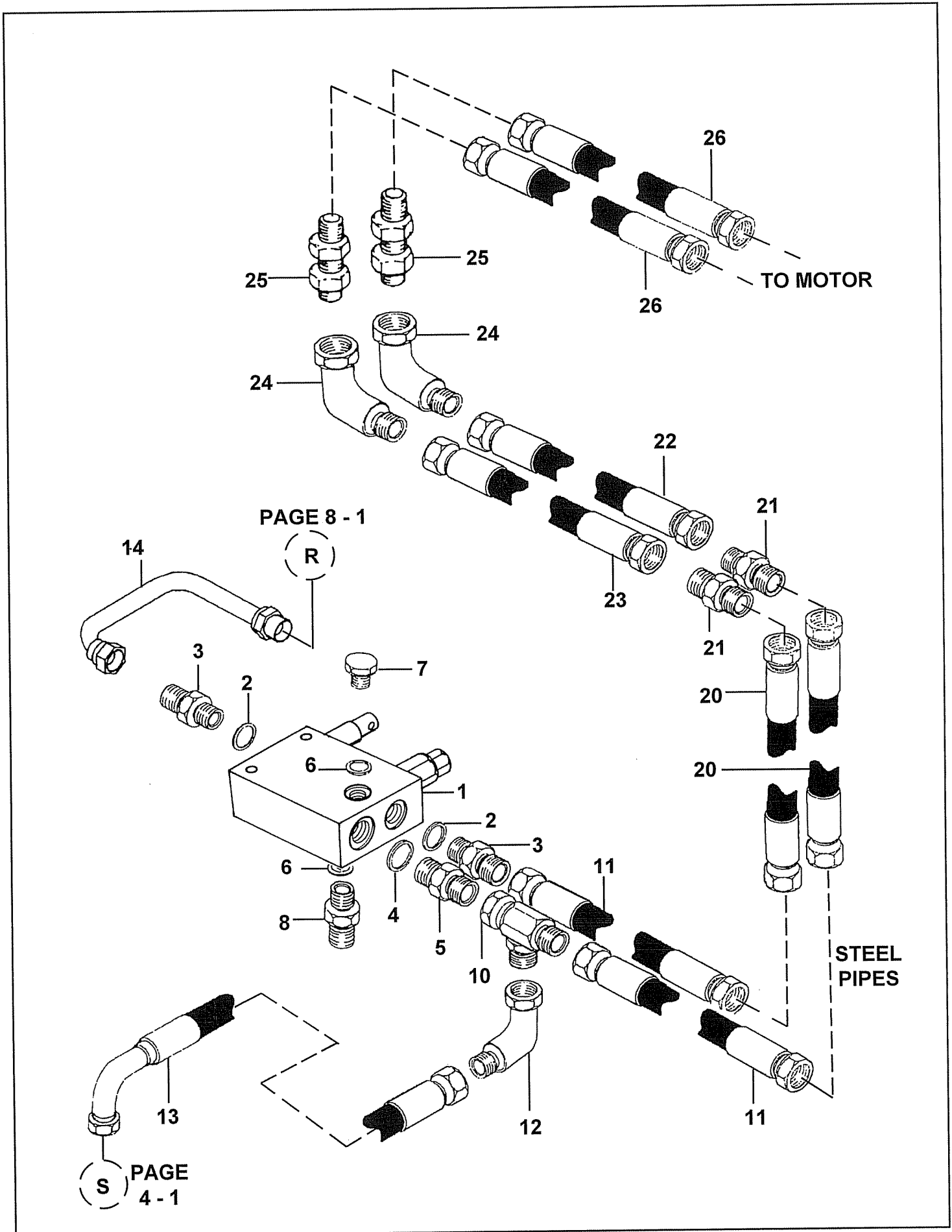
REF	PART NO	DESCRIPTION	QTY
76.629.01/02 PUMP CIRCUIT REAR PUMP DSR ELECTRIC			
01	05.264.01	SETSCREW M8 X 20MM PLATED	2
01	05.264.11	SETSCREW M10 X 20MM PLATED	2
01	05.281.01	FLAT WASHER 8MM PLATED*	2
01	05.281.02	FLT WASHER 10MM PLATED FORM C*	2
01	05.282.01	SPRING WASHER 8MM PLATED*	2
01	05.282.02	SPRING WASHER 10MM PLATED*	2
*01	42942.01	MOUNTING PLATE	1
02	05.264.02	SETSCREW M8 X 25MM PLATED*	4
02	05.282.01	SPRING WASHER 8MM PLATED*	4
*02	42768.01	VALVE, MOTOR REVERSE ELECT	1
03	05.290.07	BONDED SEAL 1"BSP	6
04	05.433.03	PLUG 1"BSP PLATED	2
05	05.434.01	ADAPTOR 1"BSP X 1"BSP	4
06	05.835.02	ADAPTOR-SWIVEL 90 1"BSP M/F	1
07	30.052.66	1" BSP M/F SWEPT ELBOWS	1
08	10.012.21	HOSE 1"BSP STX90 S.SEAL 1100	1
11	10.011.29	HOSE 1"BSP STXST S.SEAL 1900	2

* MAIN PART IN GROUP, RELATED PARTS HAVE SAME REFERENCE NUMBER



REF	PART NO	DESCRIPTION	QTY
76.629.04 PUMP CIRCUIT DSR CABLE			
01	05.287.01	SELF-LOCKING NUT M8 PLATED*	2
01	05.291.04	BOLT M8 X 45MM PLATED	2
01	8125107	RELIEF ASSY - 210 BAR	0
01*	8125355	ROTOR CONTROL VALVE (DSR)	1
01	9343033	M6 X 16 SOCKET HEAD CAP	2
02	05.264.01	SETSCREW M8 X 20MM PLATED	2
02	05.281.01	FLAT WASHER 8MM PLATED*	2
02	05.282.01	SPRING WASHER 8MM PLATED*	2
02	43228.01	VALVE MOUNTING PLATE	1
03	05.290.06	BONDED SEAL 3/4"BSP	4
04	05.373.01	ADAPTOR 3/4"BSP X 1"BSP	4
05	42704.01	PIPE - HYDRAULIC	1
06	10.012.21	HOSE 1"BSP STX90 S.SEAL 1100	1
07	10.011.29	HOSE 1"BSP STXST S.SEAL 1900	2

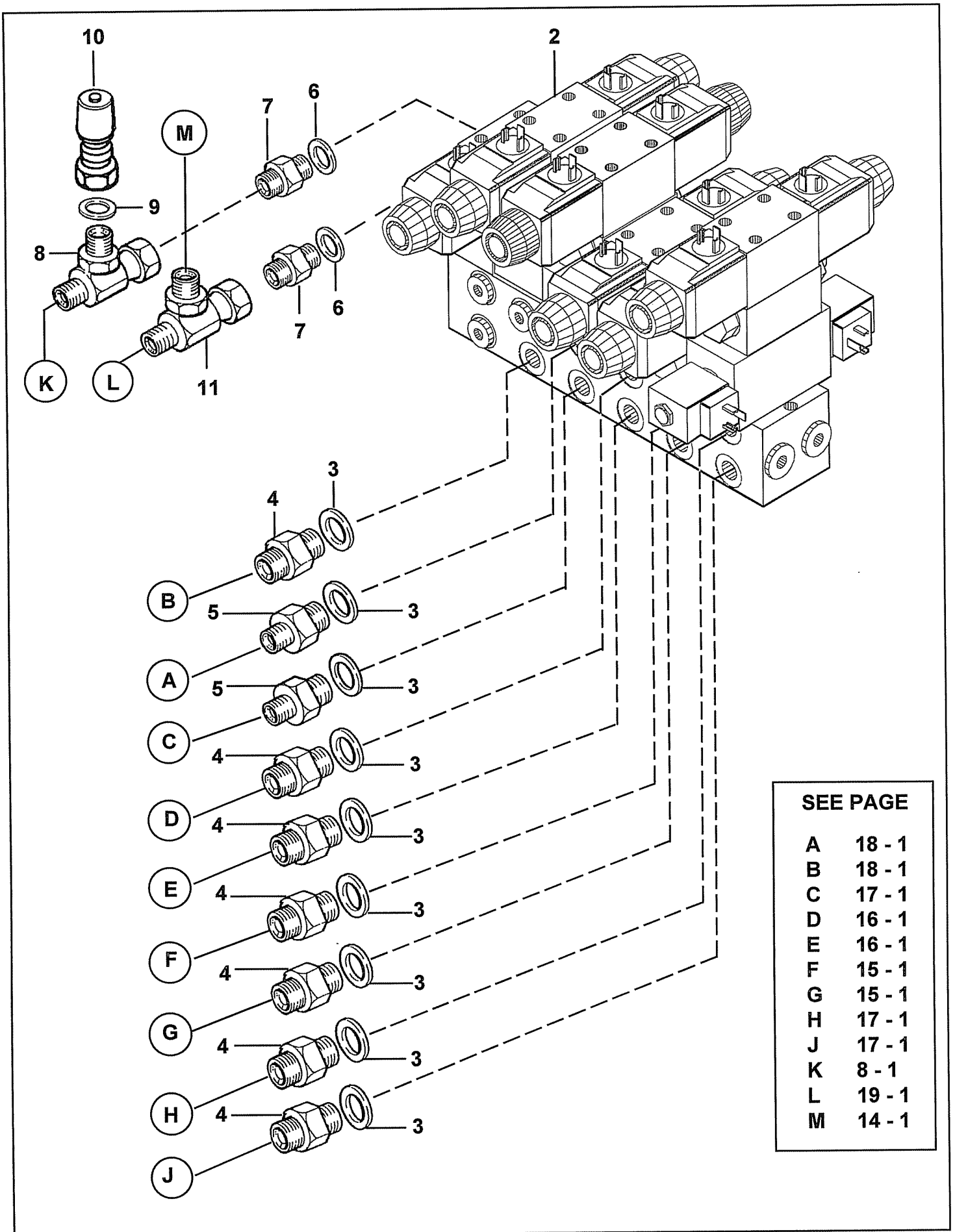
*MAIN PART IN GROUP, RELATED PARTS HAVE SAME REFERENCE NUMBER



REF	PART NO	DESCRIPTION	QTY
76.628.03 PUMP CIRCUIT REAR LH DIV CABLE			
01	05.281.01	FLAT WASHER 8MM PLATED*	2
01	05.282.01	SPRING WASHER 8MM PLATED*	2
01	05.291.10	BOLT M8 X 75MM PLATED	2
01	06.284.02	SEAL KIT FOR (06.284.01) VALVE	0
01	06.284.16	DIVERTER/RELIEF ASSY - 207 BAR	1
01	06.299.03	RELIEF VALVE CARTRIDGE 207BAR	0
02	05.290.06	BONDED SEAL 3/4"BSP	2
03	05.373.01	ADAPTOR 3/4"BSP X 1"BSP	2
04	05.290.07	BONDED SEAL 1"BSP	1
05	05.434.01	ADAPTOR 1"BSP X 1"BSP	1
06	05.290.04	BONDED SEAL 3/8"BSP	2
07	05.433.01	PLUG 3/8"BSP PLATED	2
08	05.123.01	ADAPTOR 1/2" BSP X 3/8" BSP	1
10	04.056.02	ADAPTOR-SWIVEL TEE 1"BSP F/M/M	1
11	10.011.29	HOSE 1"BSP STXST S.SEAL 1900	2
12	30.052.66	1" BSP M/F SWEPT ELBOWS	1
13	10.012.21	HOSE 1"BSP STX90 S.SEAL 1100	1
14	42704.01	PIPE - HYDRAULIC	1

ITEMS 20 TO 26 REFER TO PAGE 8-4

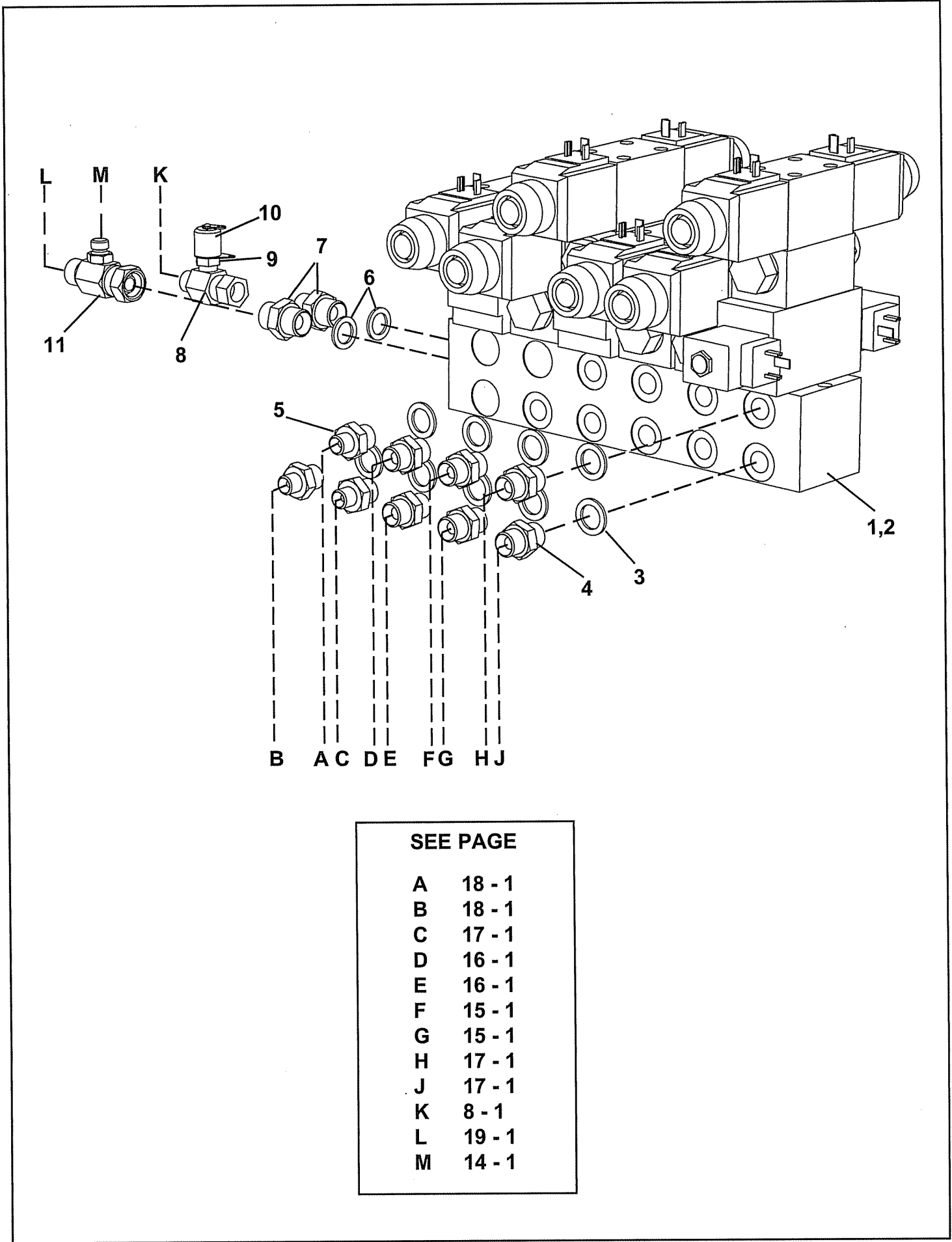
*MAIN PART IN GROUP, RELATED PARTS HAVE SAME REFERENCE NUMBER



SEE PAGE	
A	18 - 1
B	18 - 1
C	17 - 1
D	16 - 1
E	16 - 1
F	15 - 1
G	15 - 1
H	17 - 1
J	17 - 1
K	8 - 1
L	19 - 1
M	14 - 1

REF	PART NO	DESCRIPTION	QTY
76.427.23 EPPII CONTROL VALVE ASSY			
01	42699.01	PLATE - VALVE MOUNTING (NOT ILLUSTRATED)	1
02	05.282.09	SPRING WASHER 5MM PLATED	4
02	08.852.04	CETOP 3 INTERFACE SEAL - VITON	0
02	30.073.93	SCREW M5 X 16MM 8.8 GRADE	4
*02	41784.20	CONTROL VALVE	1
03	05.290.04	BONDED SEAL 3/8"BSP	9
04	05.124.01	ADAPTOR 3/8" BSP X 3/8" BSP	7
05	01.099.01	ADAPTOR 3/8BSP X1/4BSP	2
06	05.290.05	BONDED SEAL 1/2"BSP	2
07	05.122.01	ADAPTOR 1/2" BSP X 1/2" BSP	2
08	04.056.25	ADAPTOR T FMM 1/2"X1/2"X1/4"	1
09	05.290.02	BONDED SEAL 1/4"BSP	1
10	05.146.12	Q/R COUPLING 1/4" BSP FEMALE	1
11	04.056.40	ADAPTOR - TEE 1/2F-1/2M-3/8M	1
26	05.123.01	ADAPTOR 1/2" BSP X 3/8" BSP	1

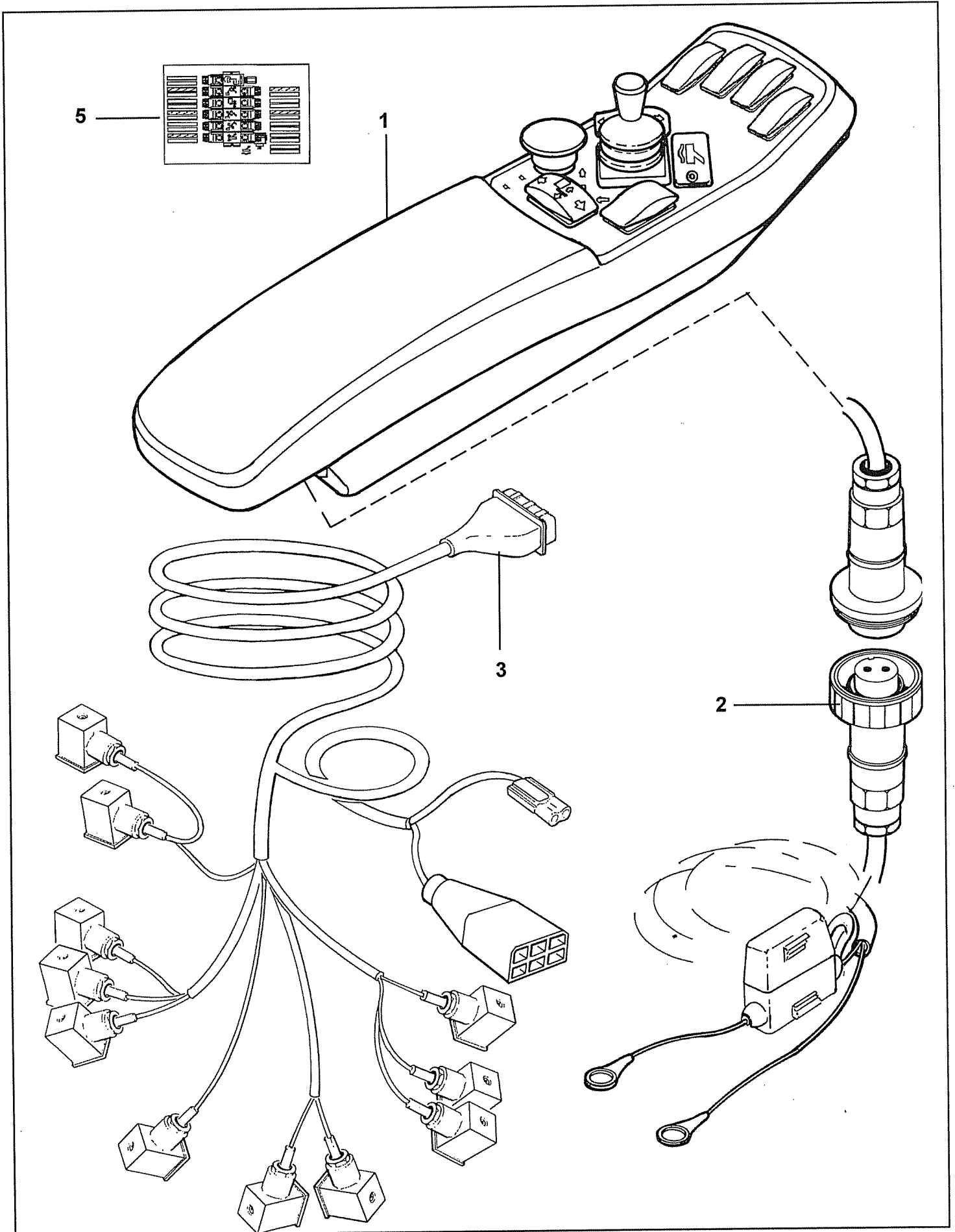
* MAIN PART IN GROUP, RELATED PARTS HAVE SAME REFERENCE NUMBER



SEE PAGE	
A	18 - 1
B	18 - 1
C	17 - 1
D	16 - 1
E	16 - 1
F	15 - 1
G	15 - 1
H	17 - 1
J	17 - 1
K	8 - 1
L	19 - 1
M	14 - 1

REF	PART NO	DESCRIPTION	QTY
77.086.05 VALVE ASSY EPP3 5 SERV. 8922			
□			
01	42699.01	PLATE - VALVE MOUNTING	1
02	05.282.09	SPRING WASHER 5MM PLATED	4
02	08.852.04	CETOP 3 INTERFACE SEAL - VITON	0
02	30.073.93	SCREW M5 X 16MM 8.8 GRADE	4
02*	41784.29	CONTROL VALVE 5 SERV.PROP.	1
03	05.290.04	BONDED SEAL 3/8"BSP *	9
04	05.124.01	ADAPTOR 3/8" BSP X 3/8" BSP	7
05	01.099.01	ADAPTOR 3/8BSP X1/4BSP	2
06	05.290.05	BONDED SEAL 1/2"BSP *	2
07	05.122.01	ADAPTOR 1/2" BSP X 1/2" BSP	2
08	04.056.25	ADAPTOR T FMM 1/2"X1/2"X1/4"	1
09	05.290.02	BONDED SEAL 1/4"BSP *	1
10	05.146.12	Q/R COUPLING 1/4" BSP MALE	1
11	04.056 40	ADAPTOR T FMM	1
26	05.123.01	ADAPTOR 1/2" BSP X 3/8" BSP	1

*MAIN PART IN GROUP, RELATED PARTS HAVE SAME REFERENCE NUMBER

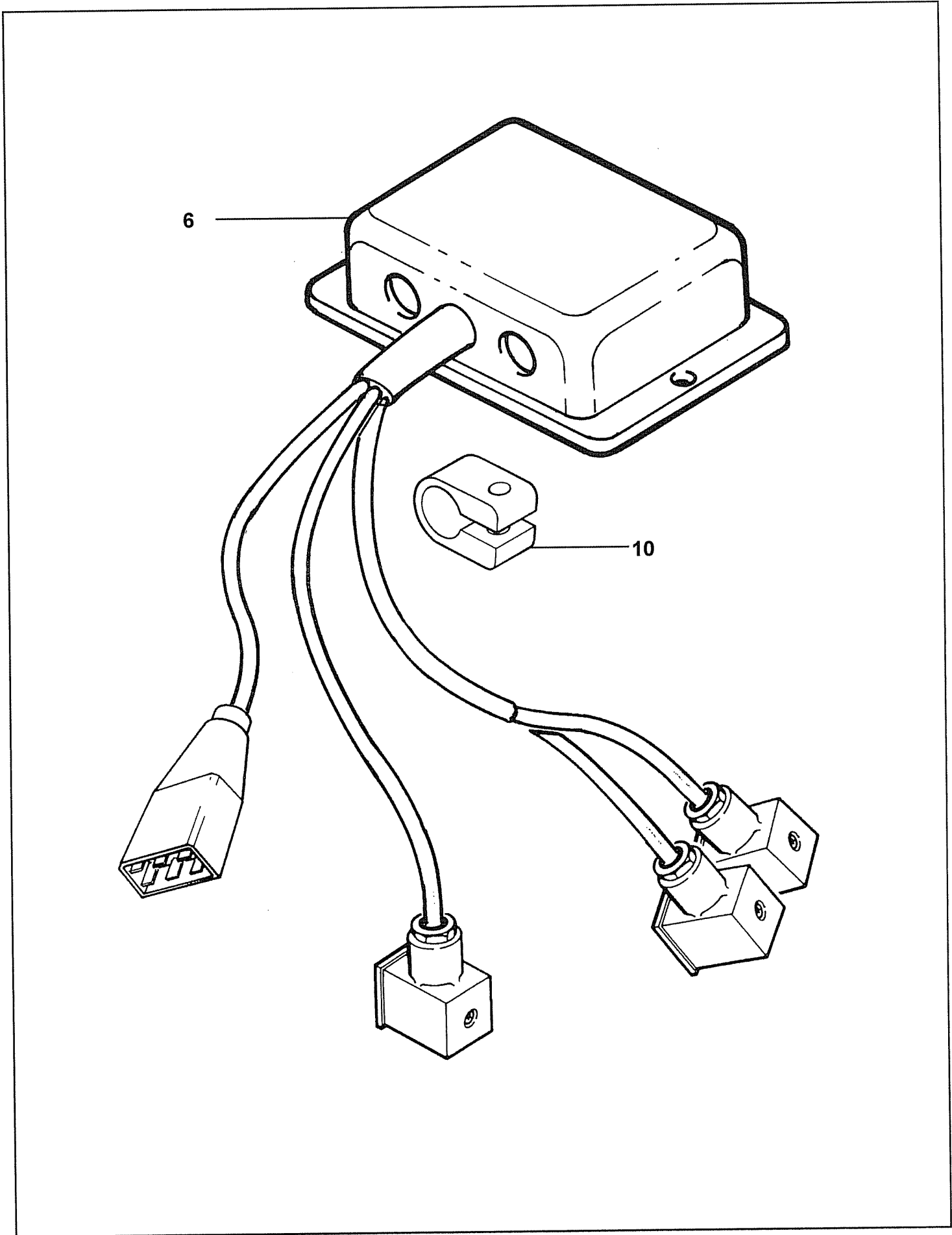


REF	PART NO	DESCRIPTION	QTY
76.426.36/37 EPPII RCA ASSY LH/RH			
01	42226.37 □	EPPII CONTROL BOX	1
01	42226.38 ●	EPPII CONTROL BOX	1
02	43.034.01	FUSE - 15A BLADE TYPE	0
02	08.987.01	CABLE ASSY - 2 CORE X 5.5M HVY	1
02	43034.01	BLADE FUSE 15 AMP	0
03	42197.54	WIRE LOOM - EPPII B80M 3M	1
05	41814.07	DECAL - 5 SERVICE	1
06	05.281.10	FLAT WASHER 6MM PLATED*	2
06	05.282.07	SPRING WASHER 6MM PLATED*	2
06	05.286.10	NUT M6 PLATED*	2
06	30.068.81	SETSCREW M6 X 12MM Z/P.	2
*06	43146.01	SLEW CONTROLLER	1
10	05.264.66	SETSCREW M6 X 40MM PLATED	1
10	05.281.10	FLAT WASHER 6MM PLATED*	1
10	05.282.07	SPRING WASHER 6MM PLATED*	1
*10	43129.01	CABLE CLAMP	1
11	05.281.10	FLAT WASHER 6MM PLATED*	1
11	05.282.07	SPRING WASHER 6MM PLATED*	1
11	05.839.04	SETSCREW M6 X 30MM PLATED	1
11	07.835.02	GASKET FOR HIRSCHMAN CONNECTOR	18
12	07.835.03	SCREW FOR HIRSCHMANN CONNECTOR	18

□ LH MACHINES

● RH MACHINES

*MAIN PART IN GROUP, RELATED PARTS HAVE SAME REFERENCE NUMBER

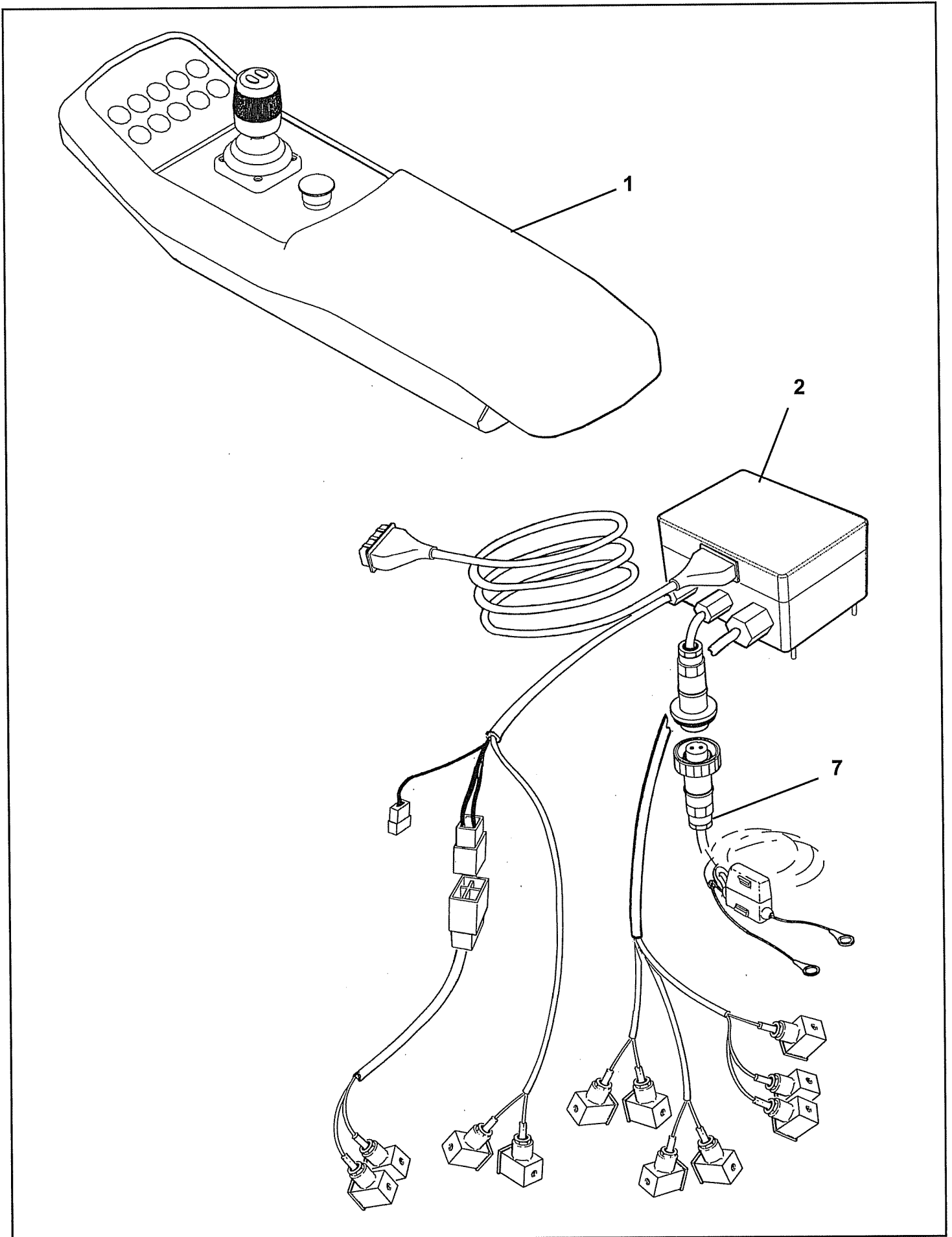


REF	PART NO	DESCRIPTION	QTY
76.426.36/37 EPPII RCA ASSY LH/RH			
01	42226.37 ☐	EPPII CONTROL BOX	1
01	42226.38 ●	EPPII CONTROL BOX	1
02	43.034.01	FUSE - 15A BLADE TYPE	0
02	08.987.01	CABLE ASSY - 2 CORE X 5.5M HVY	1
02	43034.01	BLADE FUSE 15 AMP	0
03	42197.54	WIRE LOOM - EPPII B80M 3M	1
05	41814.07	DECAL - 5 SERVICE	1
06	05.281.10	FLAT WASHER 6MM PLATED*	2
06	05.282.07	SPRING WASHER 6MM PLATED*	2
06	05.286.10	NUT M6 PLATED*	2
06	30.068.81	SETSCREW M6 X 12MM Z/P.	2
*06	43146.01	SLEW CONTROLLER	1
10	05.264.66	SETSCREW M6 X 40MM PLATED	1
10	05.281.10	FLAT WASHER 6MM PLATED*	1
10	05.282.07	SPRING WASHER 6MM PLATED*	1
*10	43129.01	CABLE CLAMP	1
11	05.281.10	FLAT WASHER 6MM PLATED*	1
11	05.282.07	SPRING WASHER 6MM PLATED*	1
11	05.839.04	SETSCREW M6 X 30MM PLATED	1
11	07.835.02	GASKET FOR HIRSCHMAN CONNECTOR	18
12	07.835.03	SCREW FOR HIRSCHMANN CONNECTOR	18

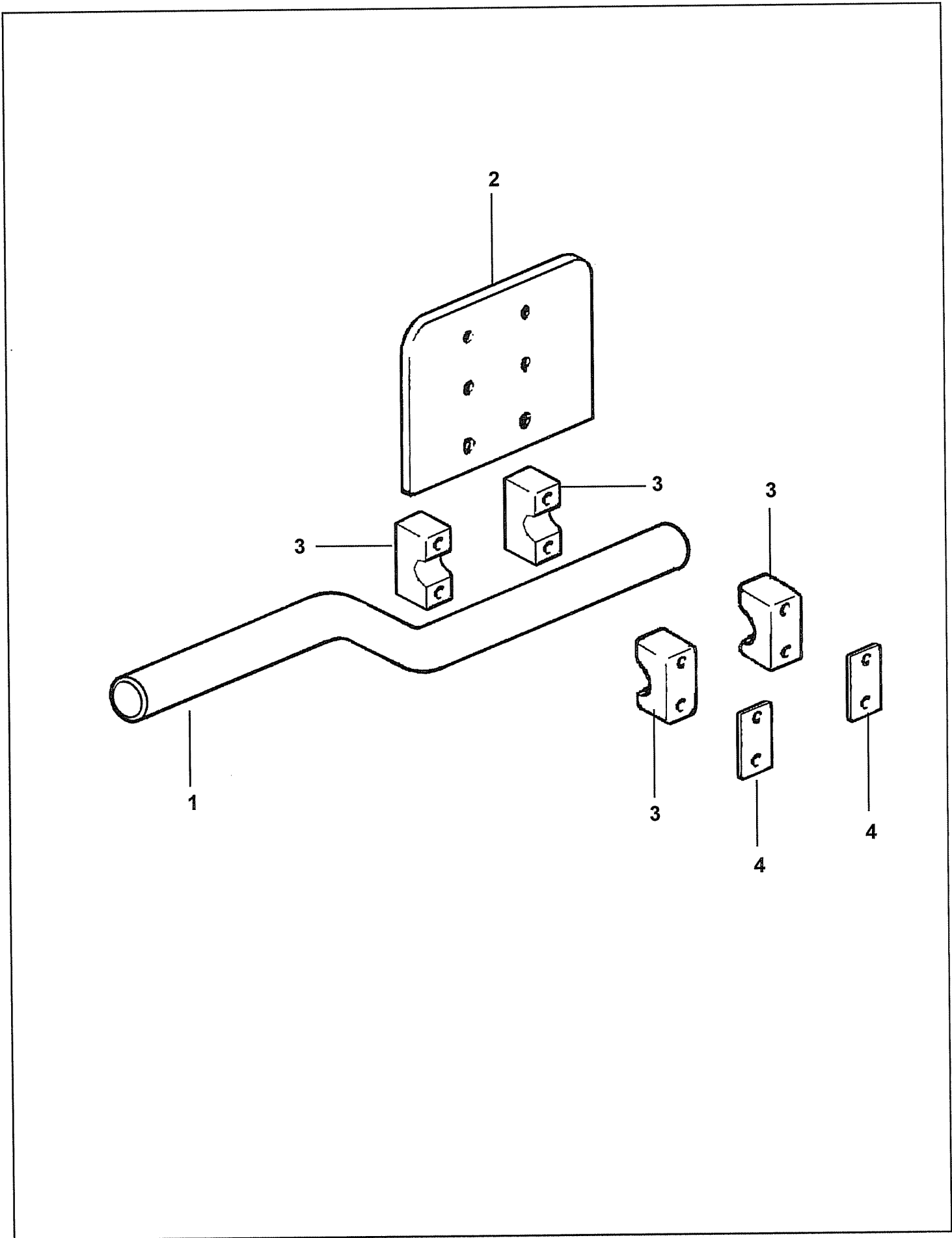
☐ LH MACHINES

● RH MACHINES

*MAIN PART IN GROUP, RELATED PARTS HAVE SAME REFERENCE NUMBER

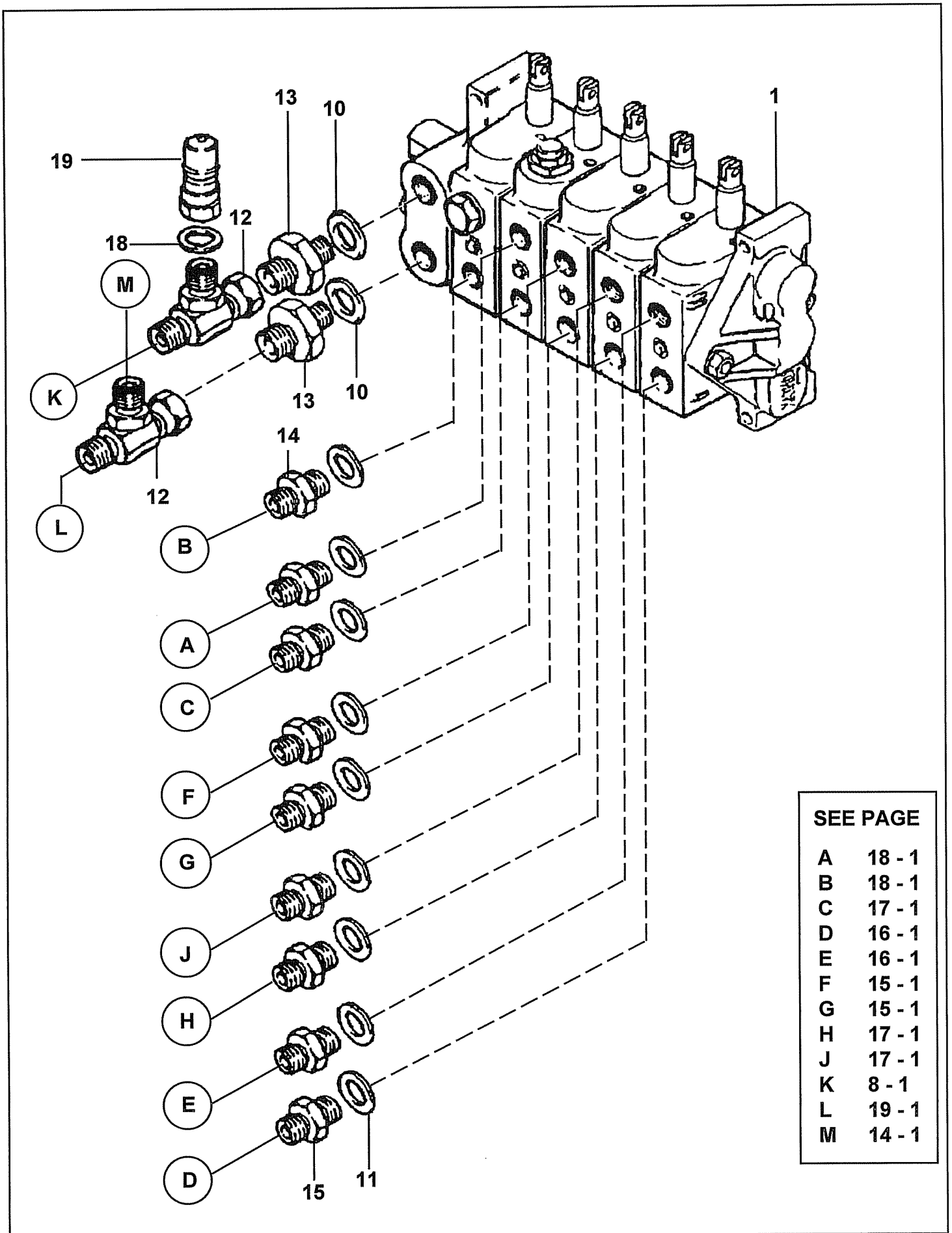


REF	PART NO	DESCRIPTION	QTY
		77.088.05 RCA ASSY - EPP3 5SVECN8922	
	□		
01	45710.02	CONTROL BOX EPP3	1
02	45715.05	ECU BOX ASSY - 5SV EPP3	1
03	45711.01	LOOM - EPP3 CONTROL BOX	0
04	45712.20	ECU BOX	0
06	45713.05	LOOM - ECU 5SV EPP3	0
06	45714.01	LOOM - MOTOR CONTROL	0
07	08.987.01	CABLE ASSY - 2 CORE X 5.5M HVY	1
07	43034.01	BLADE FUSE 15 AMP	0
10	05.264.21	SETSCREW M12 X 20MM PLATED*	2
10	05.281.03	FLAT WASHER 12MM PLATED*	2
10	05.282.03	SPRING WASHER 12MM PLATED*	2
10	42703.01	BRACKET - LOGIC BOX	1



REF	PART NO	DESCRIPTION	QTY
76.426.25 EPPIIM RCA CAB SIDE MNT 6359			
01	42312.01	BRACKET - CAB MOUNTING	1
02	05.264.02	SETSCREW M8 X 25MM PLATED*	2
02	05.281.01	FLAT WASHER 8MM PLATED*	2
02	05.282.01	SPRING WASHER 8MM PLATED*	2
02	05.948.07	WING NUT M8 - PLATED	2
*02	08.317.01	PLATE - CONTROL BOX	1
03	30.068.90	BOLT M6 X 55 MM 8.8 GRADE Z/P.	4
03	30.070.64	NUT NYLOC M6.Z/P.	4
*03	30.209.71	CLAMP SINGLE 1"	4
04	30.209.73	COVER PLATE	2

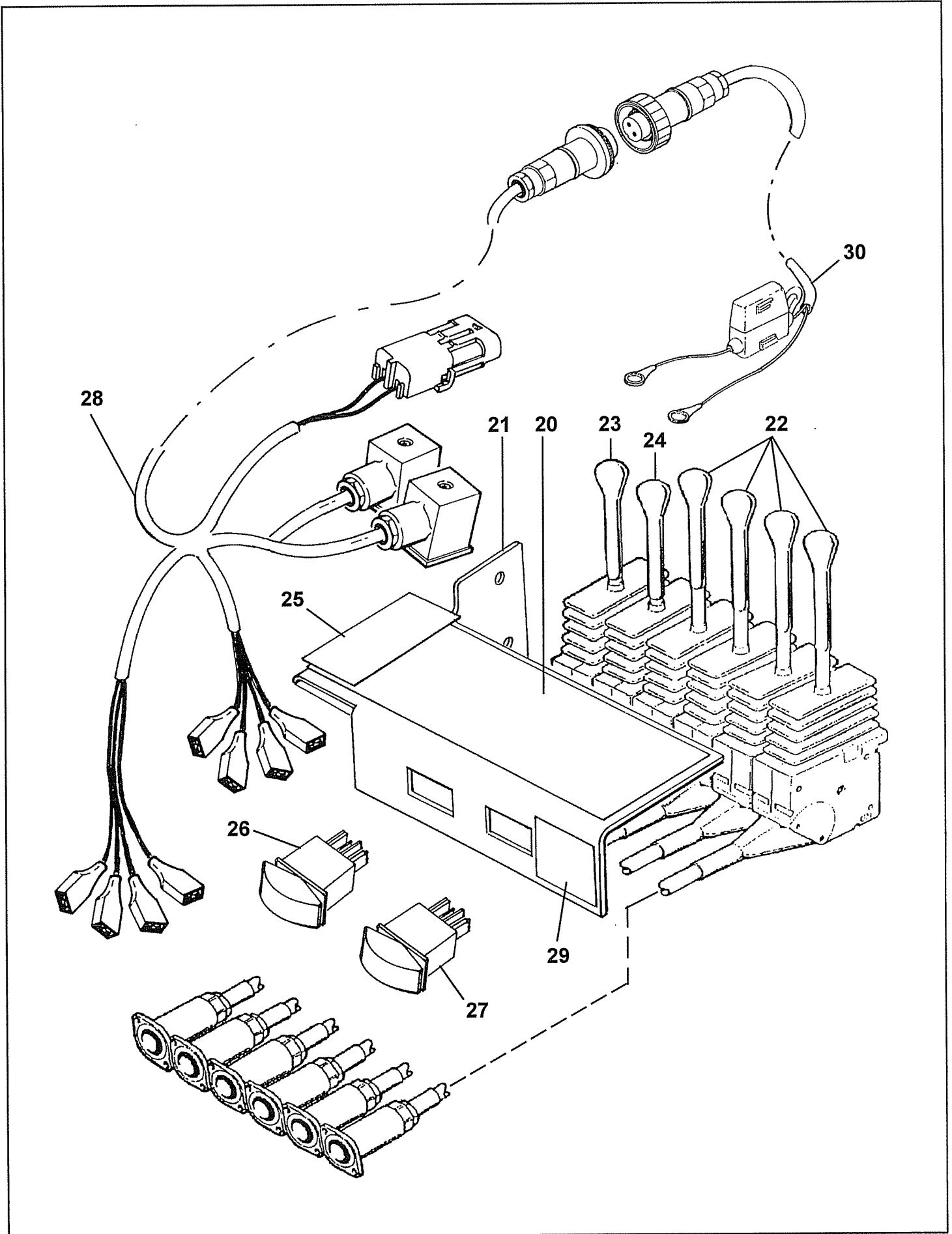
***MAIN PART IN GROUP, RELATED PARTS HAVE SAME REFERENCE NUMBER**



SEE PAGE	
A	18 - 1
B	18 - 1
C	17 - 1
D	16 - 1
E	16 - 1
F	15 - 1
G	15 - 1
H	17 - 1
J	17 - 1
K	8 - 1
L	19 - 1
M	14 - 1

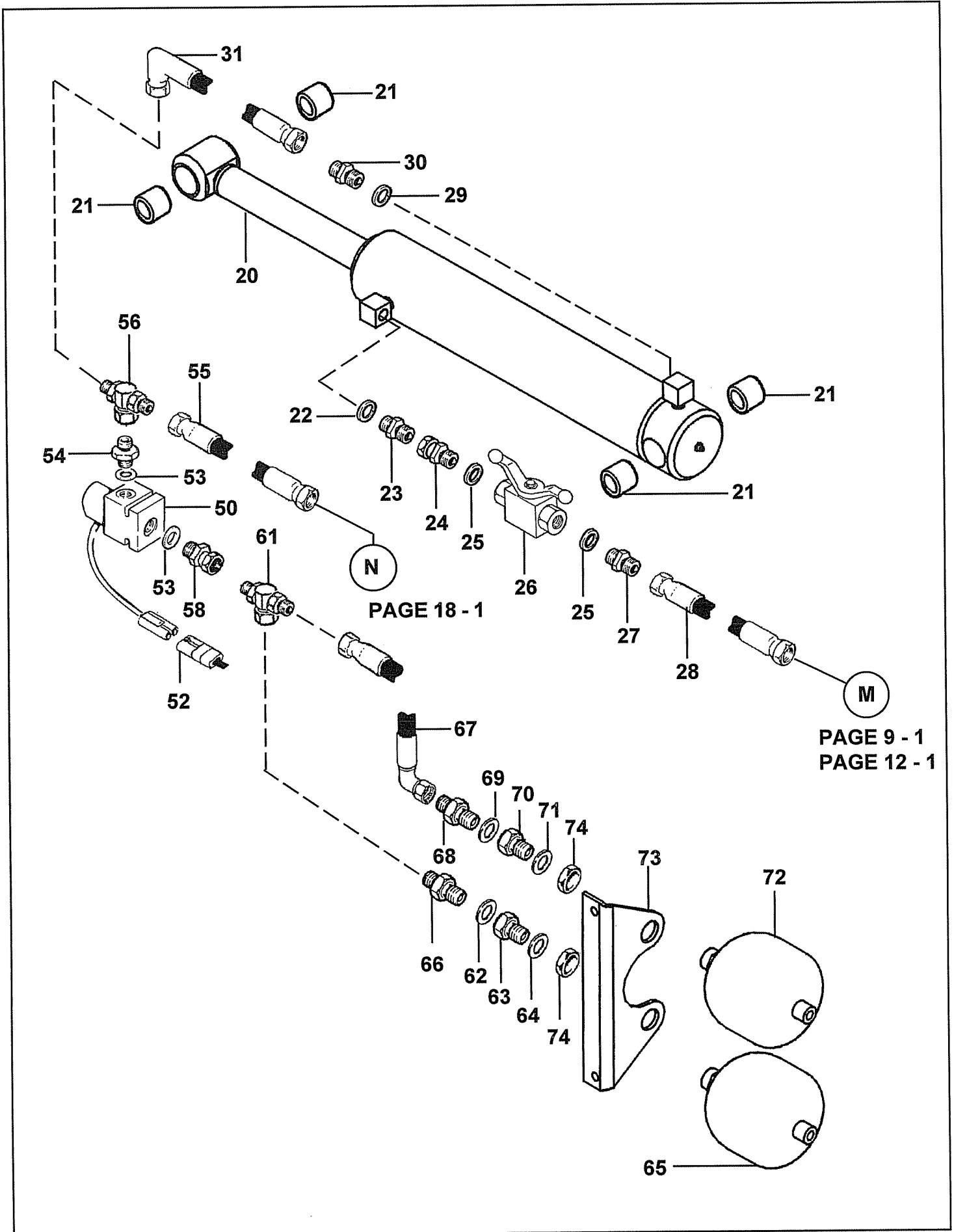
REF	PART NO	DESCRIPTION	QTY
76.659.01 CONTROL VALVE ASSY 5 SERV			
01	0342061	SKT CAPSCREW 1/4"UNCx3/4" BZP	10
01	05.282.02	SPRING WASHER 10MM PLATED*	3
01	05.286.02	NUT M10 PLATED*	3
01*	05.291.17	BOLT M10 X 60MM PLATED	3
01	41335.19	VALVE ASSY - 5 SPOOL	1
01	41335.31	SEAL KIT	0
01	41335.32	SEAL KIT (SPOOL)	0
01	41335.33	SEAL KIT (INT)	0
10	05.290.06	BONDED SEAL 3/4"BSP	2
11	05.290.05	BONDED SEAL 1/2"BSP	9
12	04.056.25	ADAPTOR T FMM 1/2"X1/2"X1/4"	1
13	05.376.01	ADAPTOR 3/4"BSP X 1/2"BSP	2
14	05.123.01	ADAPTOR 1/2" BSP X 3/8" BSP	7
15	01.099.03	ADAPTOR 1/2BSP X 1/4BSP	2
17	42699.02	VALVE MOUNTING PLATE	1
18	05.290.02	BONDED SEAL 1/4"BSP	1
19	05.146.12	Q/R COUPLING 1/4" BSP MALE	1
20	05.122.01	ADAPTOR 1/2" BSP X 1/2" BSP	1

*MAIN PART IN GROUP, RELATED PARTS HAVE SAME REFERENCE NUMBER.



REF	PART NO	DESCRIPTION	QTY
76.660.01 CABLE CONTROL ASSY RH			
20	09.916.06	DECAL - LEVER OP. 6 LEVER RH	1
21	05.839.03	SETSCREW M8 X 16MM PLATED*	2
21	05.948.07	WING NUT M8 - PLATED	2
21*	09.991.04	LEVER/DECAL MOUNTING RH 6 LVR	1
22	09.968.01	CABLE ASSY TMC-2.5M BLK LF	4
23	04.282.72	STUD - M6 X 275	3
23	05.281.10	FLAT WASHER 6MM PLATED*	3
23	05.282.07	SPRING WASHER 6MM PLATED*	3
23	05.286.10	NUT M6 PLATED*	6
23*	09.968.04	CABLE ASSY TMC - 3.0M RED SHRT	1
24	09.968.02	CABLE ASSY TMC - 2.5M BLK LF	1
25	41.083.01	DECAL - ROTOR REVERSING	1
26	41786.43	SWITCH - ARM FLOAT	1
27	41786.57	SWITCH - SLEW CONTROL	1
28	43229.01	WIRE LOOM	1
29	43230.01	DECAL - SLEW CONTROL	1
30	08.987.01	CABLE ASSY - 2 CORE X 5.5M HVY	1
76.660.02 CABLE CONTROL ASSY 5 SERV LH			
	09.991.03	MOUNTING BRACKET	1
20	09.916.05	DECAL - LEVER OP. 6 LEVER LH	1
21	05.839.03	SETSCREW M8 X 16MM PLATED*	2
21	05.948.07	WING NUT M8 - PLATED	2
22	09.968.01	CABLE ASSY TMC-2.5M BLK LF	4
23	04.282.72	STUD - M6 X 275	3
23	05.281.10	FLAT WASHER 6MM PLATED*	3
23	05.282.07	SPRING WASHER 6MM PLATED*	3
23	05.286.10	NUT M6 PLATED*	6
23	09.968.03	CABLE ASSY TMC - 3.0M RED SHRT	1
24	09.968.02	CABLE ASSY TMC - 2.5M BLK LF	1
26	41786.43	SWITCH - ARM FLOAT	1
27	41786.57	SWITCH - SLEW CONTROL	1
28	43229.01	WIRE LOOM	1
29	43230.01	DECAL - SLEW CONTROL	1
30	08.987.01	CABLE ASSY - 2 CORE X 5.5M HVY	1

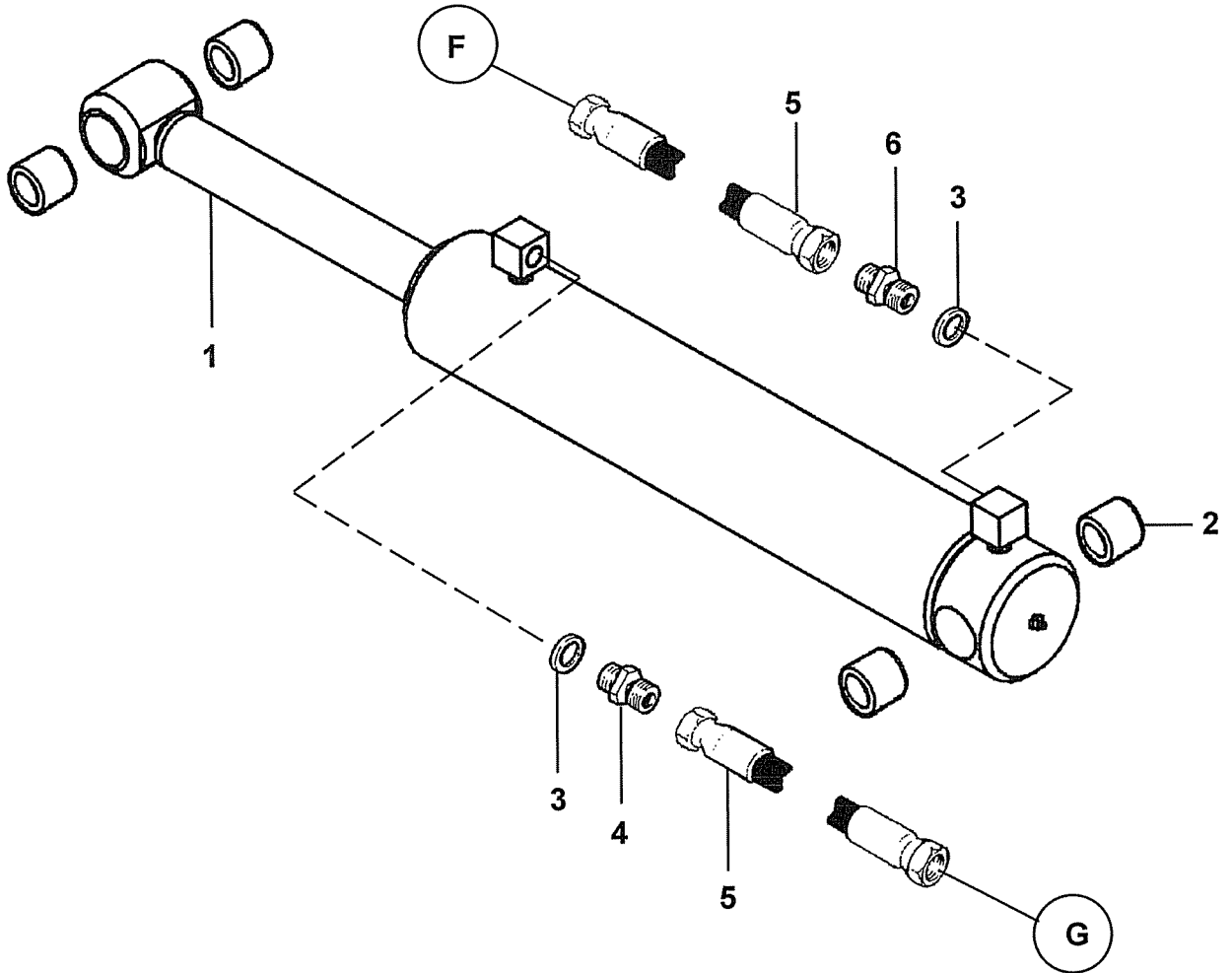
*MAIN PART IN GROUP, RELATED PARTS HAVE SAME REFERENCE NUMBER.



REF	PART NO	DESCRIPTION	QTY
76.505.01 RAM CIRCUIT - FIRST			
*20	42595.02	RAM D/A 100 BORE X 900 STROKE	1
20	8699223	SEAL KIT FOR 41595.XX RAMS	-
21	08.297.02	BUSH - PLASTIC 47 X 40 X 40	4
22	05.290.05	BONDED SEAL 1/2"BSP	1
23	05.123.01	ADAPTOR 1/2" BSP X 3/8" BSP	1
24	02.714.01	ADAPTOR-SWIVEL ST 3/8BSP M/F	1
25	05.290.04	BONDED SEAL 3/8"BSP	2
26	08.200.01	VALVE - ISOLATING 3/8" BSP	1
27	05.124.01	ADAPTOR 3/8" BSP X 3/8" BSP	1
28	10.003.38	HOSE 3/8"BSP ST X ST S.SEAL 2800	1
29	05.290.05	BONDED SEAL 1/2"BSP	1
30	05.122.01	ADAPTOR 1/2" BSP X 1/2" BSP	1
31	10.006.20	HOSE 1/2"BSP ST X 90 S.SEAL 1000	1
76.206.03 ACCUMULATOR CIRCUIT			
*50	08.619.09	VALVE - SOLENOID	1
50	08.619.25	SEAL KIT	-
52	42404.01	CABLE ASSY - ARM FLOAT	1
53	05.290.04	BONDED SEAL 3/8"BSP	2
54	05.123.01	ADAPTOR 1/2" BSP X 3/8" BSP	1
55	10.003.32	HOSE 3/8"BSP ST X ST S.SEAL 2200	1
56	04.056.40	ADAPTOR - TEE 1/2F-1/2M-3/8M	1
58	02.714.01	ADAPTOR-SWIVEL ST 3/8BSP M/F	1
61	04.056.24	ADAPTOR-TEE 3/8M-3/8M+3/8F	1
62	05.290.04	BONDED SEAL 3/8"BSP	1
63	8581284	ADAPTOR M22 X 3/8"BSP MF	1
64	8650322	M22 BONDED SEAL	1
65	41715.02	ACCUMULATOR - 1.4LT (20 BAR)	1
66	05.124.01	ADAPTOR 3/8" BSP X 3/8" BSP	1
67	10.004.08	HOSE 3/8"BSP ST X 90 S.SEAL 400	1
68	05.124.01	ADAPTOR 3/8" BSP X 3/8" BSP	1
69	05.290.04	BONDED SEAL 3/8"BSP	1
70	8581284	ADAPTOR M22 X 3/8"BSP MF	1
71	8650322	M22 BONDED SEAL	1
72	41715.01	ACCUMULATOR - 1.4LT (40 BAR)	1
73	05.264.21	SETSCREW M12 X 20MM PLATED	2
73	05.282.03	SPRING WASHER 12MM PLATED	2
*73	41510.01	BRACKET-ACCUMULATOR	1
74	8126035	M33 BULKHEAD NUT 'THIN'	2

*MAIN PART IN GROUP, RELATED PARTS HAVE SAME REFERENCE NUMBER

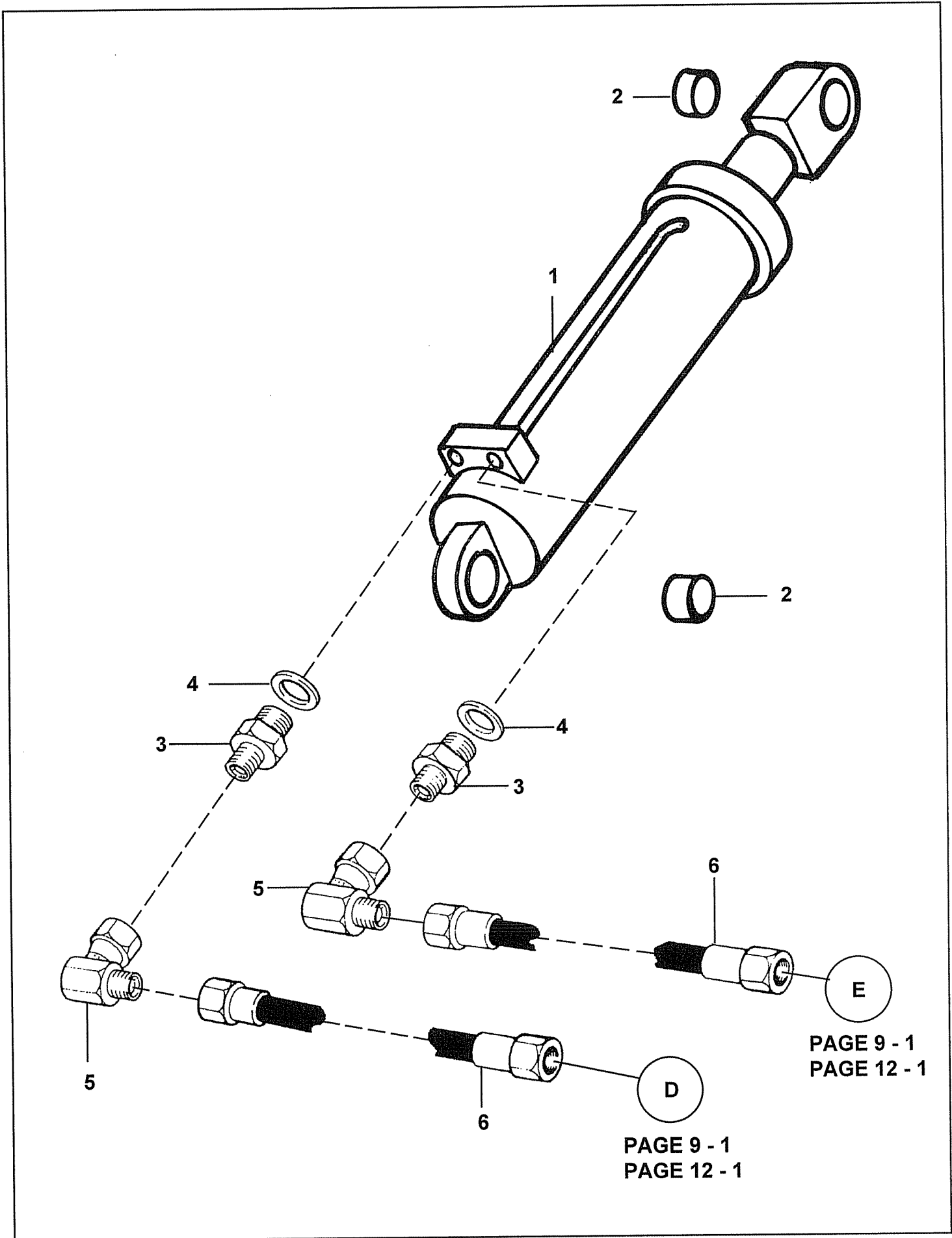
PAGE 9 - 1
PAGE 12 - 1



PAGE 9 - 1
PAGE 12 - 1

REF	PART NO	DESCRIPTION	QTY
76.504.01 RAM CIRCUIT - SECOND			
01	42595.01	RAM D/A 100 BORE X 900 STROKE	1
01	8699223	SEAL KIT FOR 41595.XX RAMS	-
02	08.297.02	BUSH - PLASTIC 47 X 40 X 40	4
03	05.290.05	BONDED SEAL 1/2"BSP	2
04	05.123.01	ADAPTOR 1/2" BSP X 3/8" BSP	1
05	10.003.51	HOSE 3/8"BSP ST X ST S.SEAL 4100	1
06	05.123.01	ADAPTOR 1/2" BSP X 3/8" BSP	1
76.662.01 RAM CIRCUIT - SECOND (CABLE)			
01	42595.01	RAM D/A 100 BORE X 900 STROKE	1
01	8699223	SEAL KIT FOR 42595.XX RAMS	0
02	08.297.02	BUSH - PLASTIC 47 X 40 X 40	4
03	05.290.05	BONDED SEAL 1/2"BSP	2
04	05.123.01	ADAPTOR 1/2" BSP X 3/8" BSP	1
05	10.003.51	HOSE 3/8"BSP STXST S.SEAL 4100	0
06	03.028.33	RESTRICTOR 1/2"X3/8"BSP(1.70)	1

*MAIN PART IN GROUP, RELATED PARTS HAVE SAME REFERENCE NUMBER

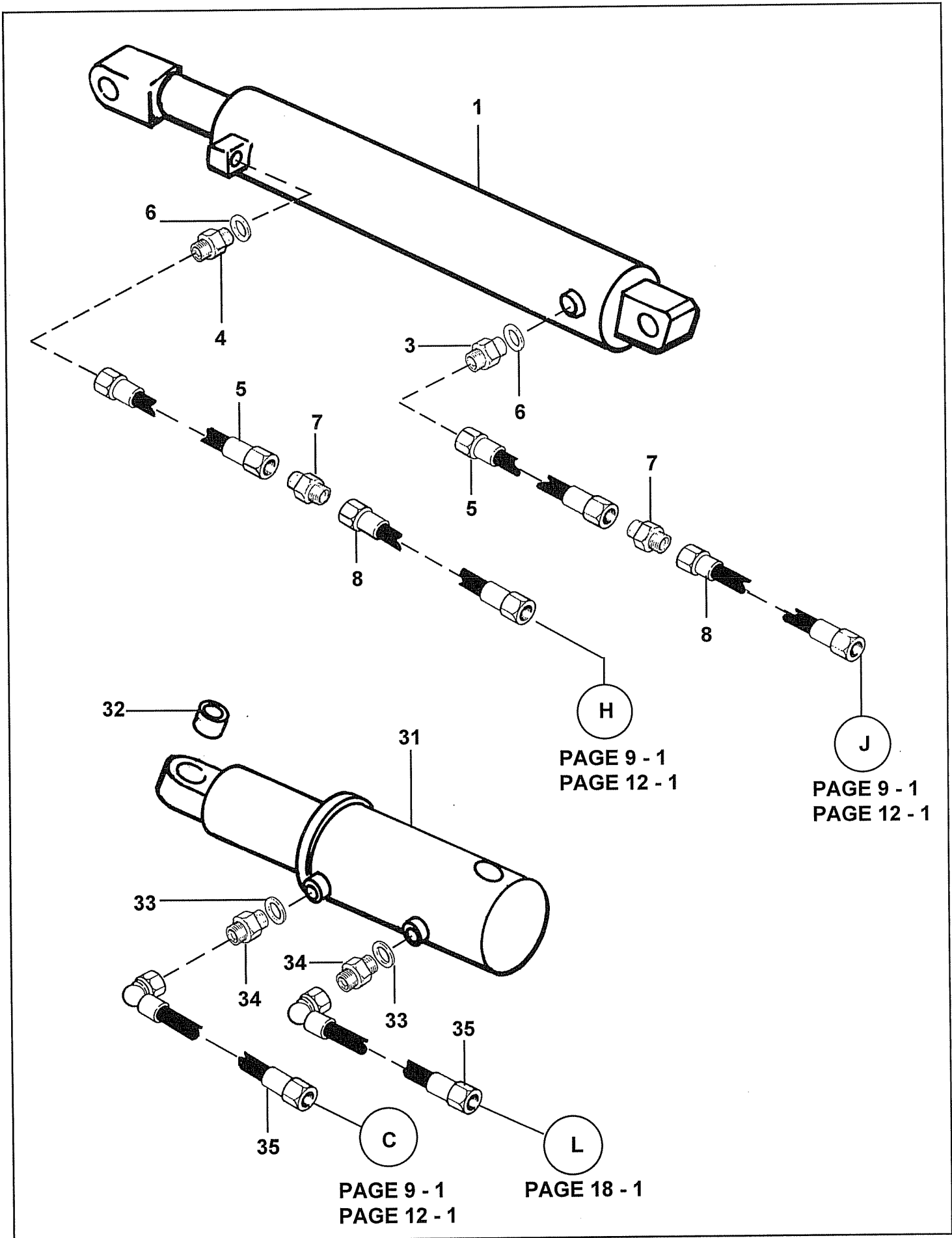


REF	PART NO	DESCRIPTION	QTY
76.631.01/76.630.01 RAM CIRCUIT THIRD			
01	05.953.01	GREASE NIPPLE M6*	1
*01	09.982.24 ▲	RAM ASSY. 60 BORE 645 STRK	1
01	09.982.25	SEAL KIT 60 BORE RAM	0
01	08.730.03 ●	RAM ASSY. 80 BORE 645 STRK	1
01	08.730.04	SEAL KIT 80 BORE RAM	0
02	08.297.12	BUSH PLASTIC 42 X 35 - 50 LONG	2
03	03.028.15	RESTRICTOR 3/8 X 3/8BSP 1.7MM	2
04	05.290.04	BONDED SEAL 3/8"BSP	2
05	05.835.01	ADAPTOR-SWIVEL 90 3/8"BSP M/F	2
06	10.003.35	HOSE 3/8"BSP STXST S.SEAL 2500	2

▲ B71M

● B80M

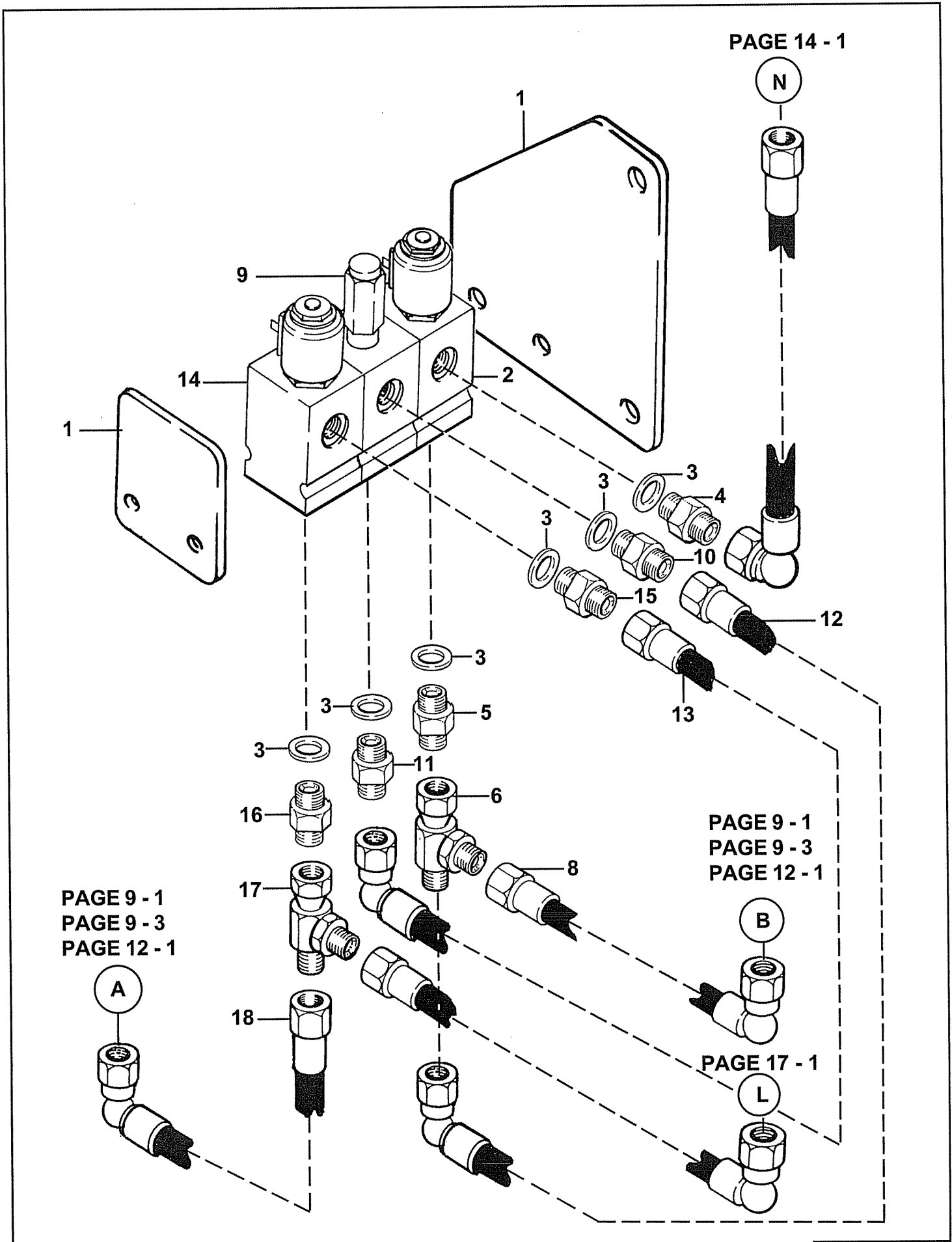
*MAIN PART IN GROUP, RELATED PARTS HAVE SAME REFERENCE NUMBER



REF	PART NO	DESCRIPTION	QTY
76.632.01/76.633.01 COWL RAM CIRCUIT 7435			
01	09.982.17	RAM ASSY D/A 60 BORE X 430 STK	1
01	09.982.01	SEAL KIT 09.982. RAMS	0
02	05.953.01	GREASE NIPPLE M6*	2
03	03.028.01	RESTRICTOR 3/8"X 3/8"BSP 1.27	1
04	03.028.22	RESTRICTOR 3/8 X 3/8BSP 0.75MM	1
05	10.003.35 □	HOSE 3/8" BSP ST X ST S.SEAL 2500	2
05	10.003.25 ●	HOSE 3/8" BSP ST X ST S.SEAL 1500	2
06	05.290.04	BONDED SEAL 3/8"BSP	2
07	05.124.01	ADAPTOR 3/8" BSP X 3/8" BSP	2
08	10.003.40	HOSE 3/8"BSP STXST S.SEAL 3000	2
76.634.01 SLEW RAM CIRCUIT 7435			
31	05.953.01	GREASE NIPPLE M6*	1
31	08.556.03	SEAL KIT - 90 BORE RAM	0
31	08.556.04	HYDRAULIC RAM 90 BORE 214 STRK	1
32	02.771.03	TENSION BUSH 45 X 40 X 50	1
33	05.290.04	BONDED SEAL 3/8"BSP	2
34	03.028.16	RESTRICTOR 3/8X1/4"BSP 1.00MM	2
35	10.002.23	HOSE 1/4"BSP STX90 S.SEAL 1300	2

● B71 MACHINES
□ B80 MACHINES

*MAIN PART IN GROUP, RELATED PARTS HAVE SAME REFERENCE NUMBER



PAGE 14 - 1

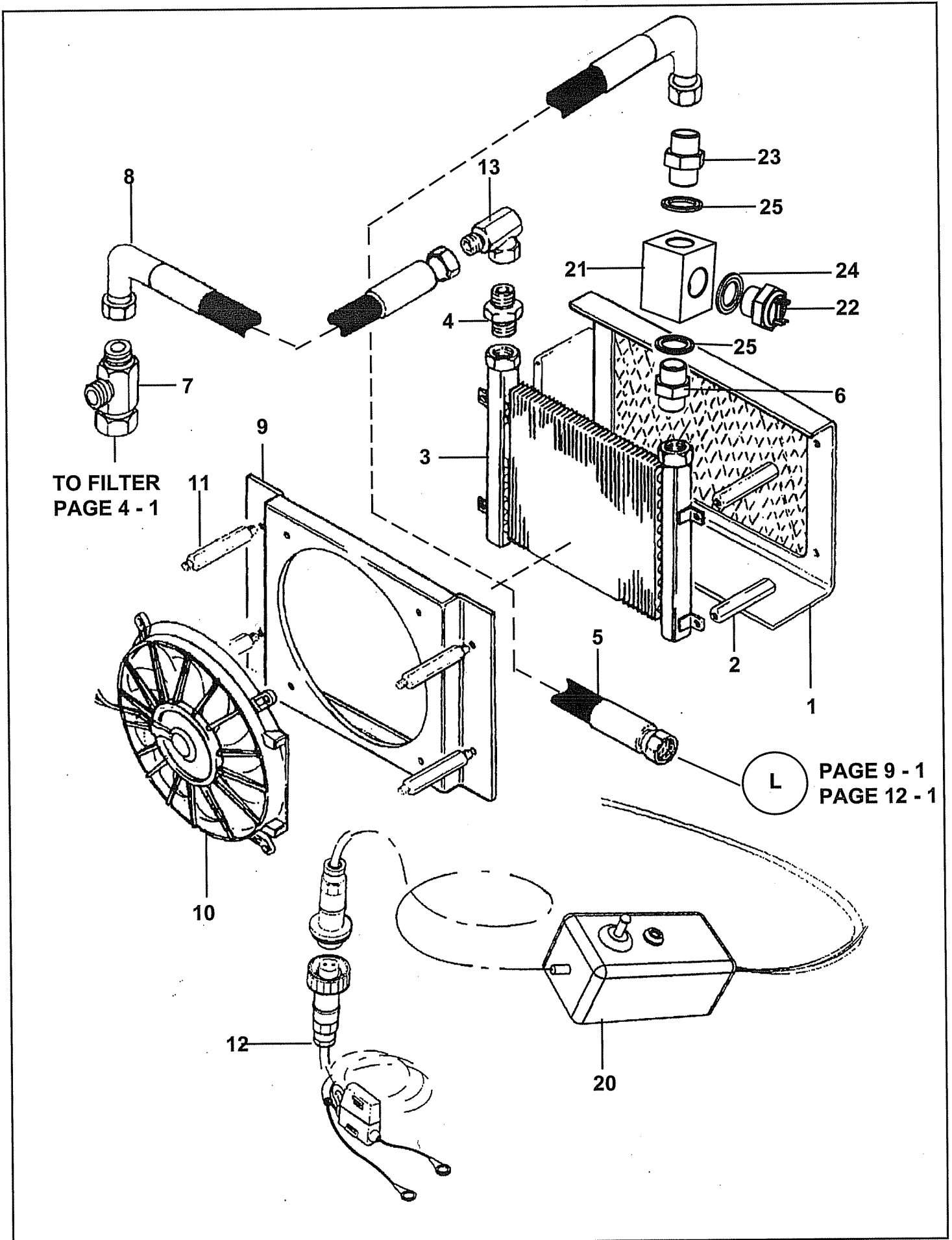
PAGE 9 - 1
PAGE 9 - 3
PAGE 12 - 1

PAGE 9 - 1
PAGE 9 - 3
PAGE 12 - 1

PAGE 17 - 1

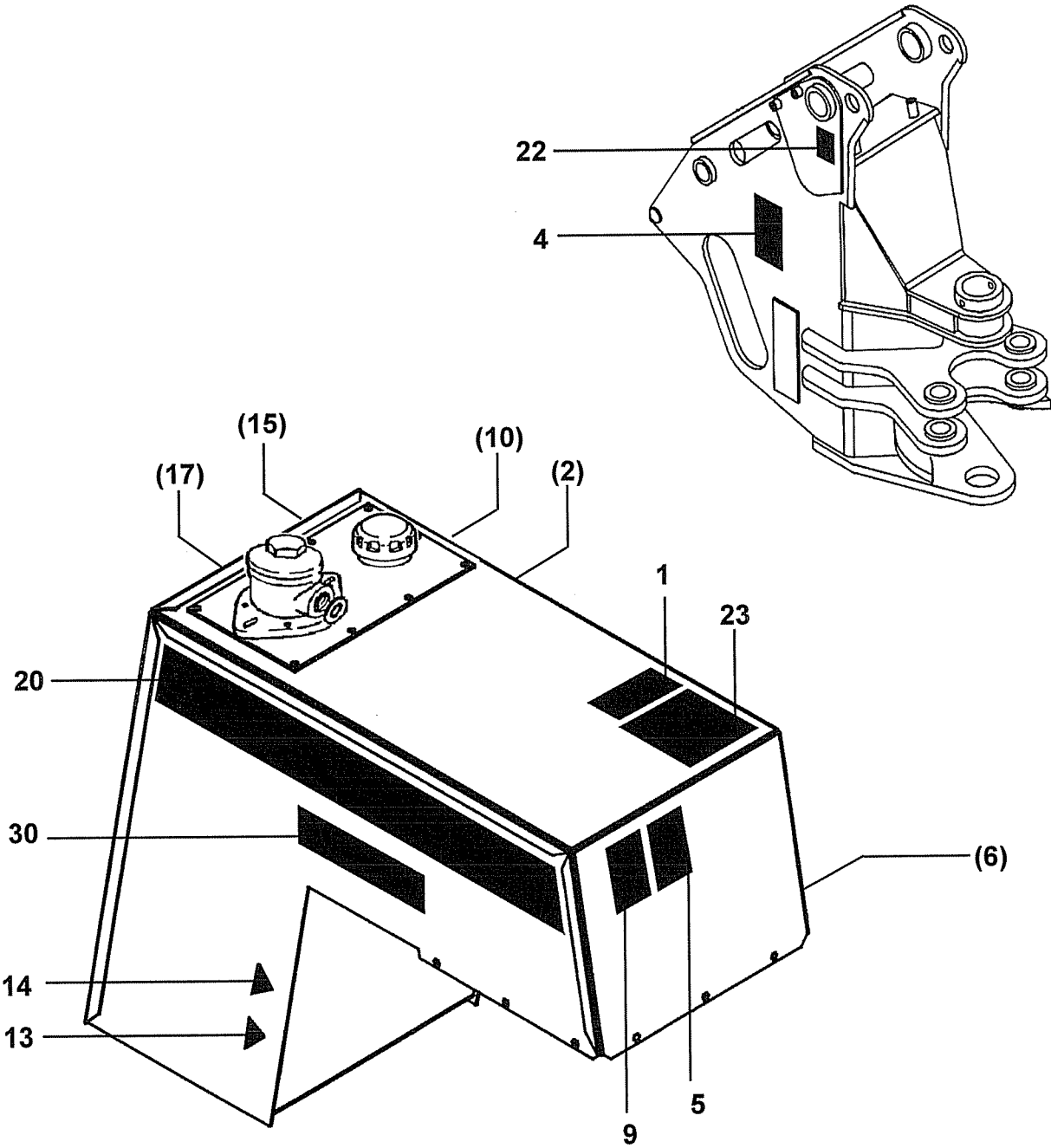
REF	PART NO	DESCRIPTION	QTY
76.641.01 SLEW/BREAKOUT VALVE ASSY 7435			
01	04.282.83	STUD M6 - 180 LONG	2
01	05.264.21	SETSCREW M12 X 20MM PLATED*	2
01	05.281.03	FLAT WASHER 12MM PLATED*	2
01	05.281.10	FLAT WASHER 6MM PLATED*	2
01	05.282.03	SPRING WASHER 12MM PLATED*	2
01	05.282.07	SPRING WASHER 6MM PLATED*	2
01	05.286.10	NUT M6 PLATED*	2
*01	43151.01	PLATE 10 - 150 X 160	1
01	43151.02	PLATE 6 - 60 X 60	1
02	08.619.01	MODULAR SOLENOID VALVE ASSY	1
03	05.290.04	BONDED SEAL 3/8"BSP	6
04	05.124.01	ADAPTOR 3/8" BSP X 3/8" BSP	1
05	05.124.01	ADAPTOR 3/8" BSP X 3/8" BSP	1
06	04.056.24	ADAPTOR-SWIVEL TEE 3/8" M/M/F	1
07	05.835.01	ADAPTOR-SWIVEL 90 3/8"BSP M/F	1
08	10.004.10	HOSE 3/8"BSP STX90 S.SEAL 550	1
09	08.619.03	MODULAR RELIEF VALVE ASSY 137B	1
10	05.124.01	ADAPTOR 3/8" BSP X 3/8" BSP	1
11	01.099.01	ADAPTOR 3/8BSP X1/4BSP	1
12	10.003.05	HOSE 3/8" BSP STXST - 250	1
13	10.002.05	HOSE 1/4" BSP ST X 90 - 250	1
14	08.619.10	VALVE - SOLENOID	1
15	01.099.01	ADAPTOR 3/8BSP X1/4BSP	1
16	01.099.01	ADAPTOR 3/8BSP X1/4BSP	1
17	04.056.10	ADAPTOR - TEE 1/4"BSP F/M/M	1
18	10.002.10	HOSE 1/4"BSP STX90 S.SEAL 500	1

*MAIN PART IN GROUP, RELATED PARTS HAVE SAME REFERENCE NUMBER



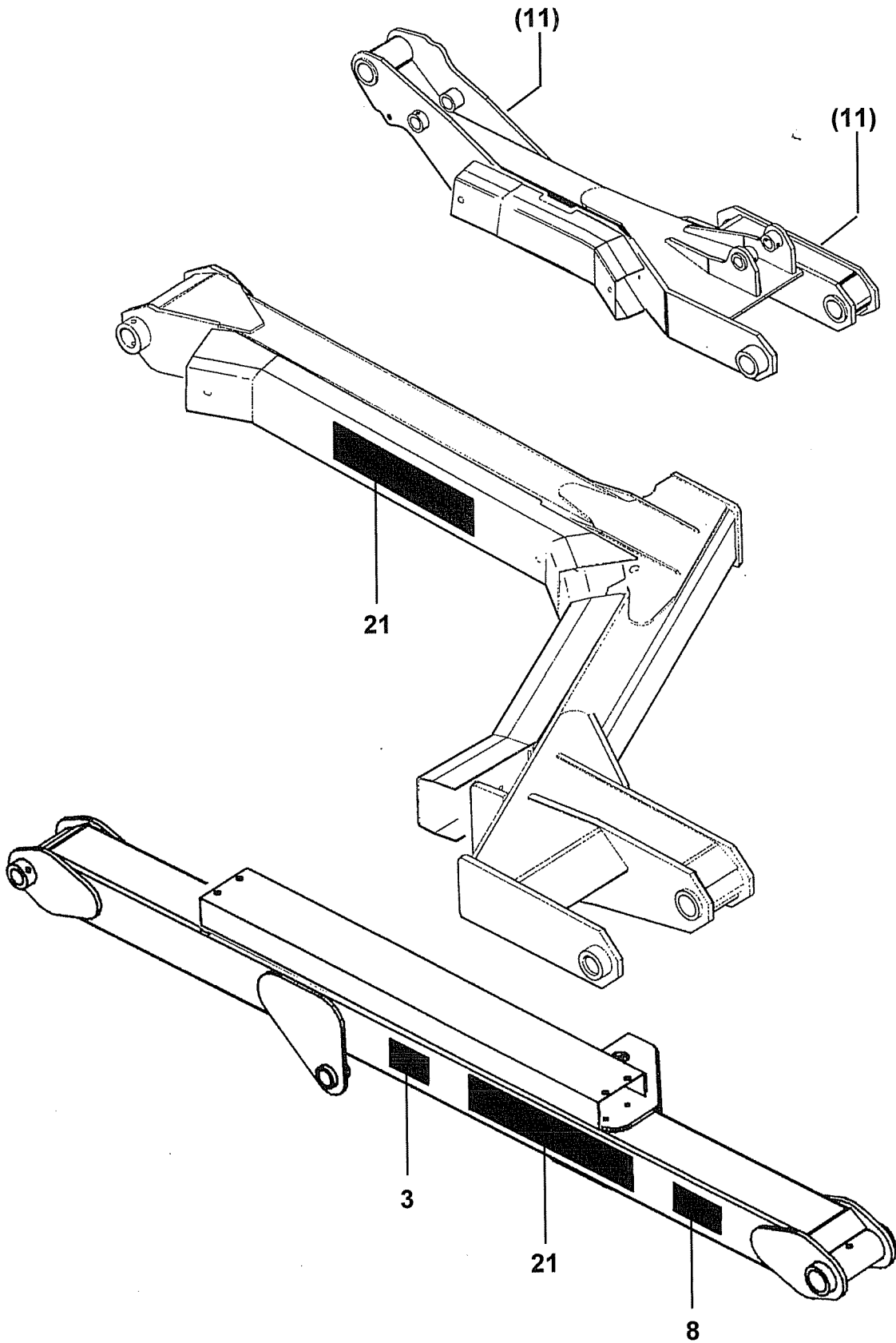
REF	PART NO	DESCRIPTION	QTY
76.635.01 OIL COOLER ASSEMBLY			
01	05.264.22	SETSCREW M12 X 25MM PLATED	4
01	05.281.03	FLAT WASHER 12MM PLATED	4
01	05.282.03	SPRING WASHER 12MM PLATED	4
*01	09.677.01	COVER - OIL COOLER	1
02	05.282.03	SPRING WASHER 12MM PLATED	4
*02	09.676.01	SPACER - 90 X M12 PLATED	4
03	09.433.01	OIL COOLER - 370 X 305	1
04	09.436.05	ADAPTOR - 1"NPT X 1/2"BSP M/M	1
05	10.006.21	HOSE 1/2"BSP STX90 S.SEAL 1100	1
06	09.436.05	ADAPTOR - 1"NPT X 1/2"BSP M/M	1
07	04.056.34	ADAPTOR TEE 1"X1"X1/2"BSP FMM	1
08	10.006.10	HOSE 1/2"BSP STX90 S.SEAL 500	1
09	09.900.01	BRACKET - OIL COOLER	1
10	05.264.02	SETSCREW M8 X 25MM PLATED	4
10	05.287.01	SELF-LOCKING NUT M8 PLATED	4
*10	09.901.01	FAN - 12V ELECTRIC	1
11	05.282.03	SPRING WASHER 12MM PLATED	4
*11	09.435.03	SPACER - 130 X M12	4
12	08.987.02	WIRING LOOM	1
13	05.835.05	SWIVEL SWEPT ELBOW	1
20	42162.05	CABLE/SWITCH ASSY - THERMOSTAT	1
21	08.128.30	ADAPTOR - TEMP. SWITCH	1
22	8402160	THERMOSTATIC SWITCH	1
23	05.122.01	ADAPTOR 1/2" BSP X 1/2" BSP	1
24	8650322	M22 BONDED SEAL	1
25	05.290.05	BONDED SEAL 1/2" BSP	2

*MAIN PART IN GROUP, RELATED PARTS HAVE SAME REFERENCE NUMBER



ITEMS 2, 6, 10, 15, AND 17 POSITIONED ON OPPOSITE SIDE OF TANK AS INDICATED

REF	PART NO	DESCRIPTION	QTY
76.637.01 DECALS			
01	09.821.01	DECAL - READ INSTRUCTION BOOK	1
02	09.811.04	DECAL - MAX PTO SPEED 540 ACW	1
03	09.821.03	DECAL - DON'T STAND UNDER ARMS	1
04	09.821.06	DECAL - SLEW DANGER	2
05	09.821.07	DECAL - RESIDUAL PRESSURE	1
06	09.821.09	DECAL - HOT SURFACE	1
07	09.821.10	DECAL - KEEP NUTS TIGHT	1
08	09.821.12	DECAL - ARMS HIT CAB (REAR)	1
09	09.821.16	DECAL - KEEP OUT ZONE	1
10	09.821.20	DECAL - SHAFT ENTANGLEMENT	1
11	09.821.23	DECAL - PINCH POINT	1
12	09.810.01	DECAL - GREASE (8 HOURS)	19
13	09.810.04	DECAL - OIL FILLER (SAE 30)	1
14	09.810.05	DECAL - OIL LEVEL	1
15	09.844.01	DECAL - OIL LEVEL	1
17	09.846.01	DECAL - OIL FILTER CHANGE	1
19	08.632.01	DECAL - TRANSPORT	1
20	41712.01	DECAL - BOMFORD	1
21	09.837.01	DECAL - BOMFORD	2
22	09.843.06	DECAL - LIFT POINT 1500 KG	2
23	41789.01	DECAL - APPROVED OILS	1
24	09.821.02	DECAL - STAY CLEAR O'HD CABLES	1
30	09.980.49	DECAL - B71M	1
30	09.980.50	DECAL - GT71M	1
30	09.980.47	DECAL - B80M	1
30	09.980.48	DECAL - GT80M	1



REF	PART NO	DESCRIPTION	QTY
76.637.01 DECALS			
01	09.821.01	DECAL - READ INSTRUCTION BOOK	1
02	09.811.04	DECAL - MAX PTO SPEED 540 ACW	1
03	09.821.03	DECAL - DON'T STAND UNDER ARMS	1
04	09.821.06	DECAL - SLEW DANGER	2
05	09.821.07	DECAL - RESIDUAL PRESSURE	1
06	09.821.09	DECAL - HOT SURFACE	1
07	09.821.10	DECAL - KEEP NUTS TIGHT	1
08	09.821.12	DECAL - ARMS HIT CAB (REAR)	1
09	09.821.16	DECAL - KEEP OUT ZONE	1
10	09.821.20	DECAL - SHAFT ENTANGLEMENT	1
11	09.821.23	DECAL - PINCH POINT	1
12	09.810.01	DECAL - GREASE (8 HOURS)	19
13	09.810.04	DECAL - OIL FILLER (SAE 30)	1
14	09.810.05	DECAL - OIL LEVEL	1
15	09.844.01	DECAL - OIL LEVEL	1
17	09.846.01	DECAL - OIL FILTER CHANGE	1
19	08.632.01	DECAL - TRANSPORT	1
20	41712.01	DECAL - BOMFORD	1
21	09.837.01	DECAL - BOMFORD	2
22	09.843.06	DECAL - LIFT POINT 1500 KG	2
23	41789.01	DECAL - APPROVED OILS	1
24	09.821.02	DECAL - STAY CLEAR O'HD CABLES	1
30	09.980.49	DECAL - B71M	1
30	09.980.50	DECAL - GT71M	1
30	09.980.47	DECAL - B80M	1
30	09.980.48	DECAL - GT80M	1