

PM1752

**B/GT65XM**  
**B80XM 125L**  
**ARM MOWER**

PARTS MANUAL

ISSUE 2

## IMPORTANT

NOTE HERE THE SERIAL NUMBER OF YOUR MACHINE AND ALWAYS QUOTE IT IN ANY COMMUNICATION WITH US OR YOUR DEALER. THIS IS PARTICULARLY IMPORTANT WHEN ORDERING SPARES. REMEMBER TO INCLUDE ALL NUMBERS AND LETTERS.

MACHINE SERIAL NUMBERS \_\_\_\_\_

THE INFORMATION GIVEN THROUGHOUT THIS MANUAL IS CORRECT AT THE TIME OF PUBLICATION. HOWEVER, IN THE COURSE OF CONSTANT DEVELOPMENT OF BOMFORD TURNER MACHINES, CHANGES IN SPECIFICATION ARE INEVITABLE. SHOULD YOU FIND THE INFORMATION GIVEN IN THIS BOOK TO BE AT VARIANCE WITH THE MACHINE IN YOUR POSSESSION, YOU ARE ADVISED TO CONTACT THE BOMFORD TURNER SERVICE DEPARTMENT WHERE UP-TO-DATE INFORMATION WILL BE PROVIDED.

THE MANUAL CAN CONTAIN STANDARD AND OPTIONAL FEATURES AND IS NOT TO BE USED AS A MACHINE SPECIFICATION.

THE MACHINE HAS BEEN TESTED AND IS CONSIDERED SAFE IF CAREFULLY USED. ENSURE YOUR OPERATOR IS PROPERLY TRAINED IN ITS USE AND MAINTENANCE.

---

## IMPORTANT

NOTEZ ICI LES NUMEROS DE SERIE DE VOTRE MACHINE ET MENTIONNEZ LES DANS TOUTE COMMUNICATION AVEC NOS SERVICES OU VOTRE REVENDEUR. CECI EST IMPORTANT POUR LA COMMANDE DE PIECES DETACHEES. PENSEZ A NOTER TOUS LES NUMEROS ET TOUTES LES LETTERS.

NUMEROS DE SERIE DE LA MACHINE \_\_\_\_\_

LES INFORMATIONS DONNEES DANS CE MANUEL SONT CORRECTES CEPENDANT, DU FAIT DE DEVELOPPEMENT CONSTANT DES MACHINES BOMFORD TURNER.

CHANGEMENTS DANS LES CARACTERISTIQUES SONT INEVITABLES.

SI VOUS TROUVEZ QUE LES INFORMATIONS DONNEES NE CORRESPONDENT PAS A VOTRE MACHINE VEUILLEZ CONTACTER LE SERVICE DES REPARATIONS OU DES INFORMATIONS PLUS RECENTES VOUS SERONT DONNEES. CE MANUEL PEUT MONTRER DES CARACTERISTIQUES OPTIONNELLES ET NE PEUT PAS ETRE CONSIDERE COMME SPECIFICATION DE LA MACHINE.

CETTE MACHINE A ETE TESTEE, ET ELLE EST CONSIDEREE COMME FIABLE A CONDITION D'UNE BONNE UTILISATION. ASSUREZ-VOUS QUE VOTRE OPERATEUR EST QUALIFIE EN CE QUI CONCERNE L'UTILISATION DE LA MACHINE AINSI QUE SON ENTRETIEN.

---

## WICHTIG

TRAGEN SIE HIER DIE SERIENNUMMERN IHRER MASCHINE EIN UND GEBEN SIE DIESE IMMER AN, WENN SIE SICH AN UNS ODER IHREN HÄNDLER WENDEN. DAS IST BESONDERS BEI ERSATZTEILBESTELLUNGEN WICHTIG. VERGESSEN SIE NICHT, ALLE ZAHLEN UND BUCHSTABEN ZU NOTIEREN.

SERIENNUMMERN DER MASCHINE \_\_\_\_\_

DIE ANGABEN INDIESEM HANDBUCH SIND BEI VERÖFFENTLICHUNG KORREKT. AUFGRUND DER KONSTANTEN WEITERENTWICKLUNG VON BOMFORD TURNER MASCHINEN SIND JEDOCHÄNDERUGDEN IN DER SPEZIFIKATION UNVERMEIDLICH. WENN DIE INFORMATION IN DIESEM HANDBUCH NICHT MIT IHRER MASCHINE ÜBEREINSTIMMEN, NEHMEN SIE BITTE KONTAKT MIT DER BOMFORD TURNER KUNDENDIENSTABTEILUNG AUF, DIE IHNEN GERNE DIE AKTUELLEN INFORMATION ZUKOMMEN LÄSST.

DAS HANDBUCH KANN SOWOHL BESCHREIBUNGEN FÜR DIE STANDARD AUSFÜHRUNG ALS AUCH FÜR ZUBEHÖR ENTHALTEN UND IST NICHT ALS MASCHINENSPEZIFIKATION ZU VERWENDET.

DIE MASCHINE IST GETESTET UND BEI SACHGEMÄSSEM BETRIEB ALS SICHER BEFUNDEN WORDEN. SORGEN SIE DAFÜR, DASS IHR BEDIENPERSONAL IN ANWENDUNG UND WARTUNG RICHTIG GESCHULT WIRD.

## *B65XM, GT 65XM AND B80XM MACHINES*

*PAGE AND ILLUSTRATION NUMBERS ARE USED ONLY FOR REFERENCE PURPOSES AND SHOULD NOT BE USED FOR ORDERING SPARE PARTS. PLEASE ENSURE THE CORRECT PART NUMBER AND DESCRIPTION IS GIVEN WHEN ORDERING SPARE PARTS.*

*For machines with serial numbers commencing from .....1840H.....*

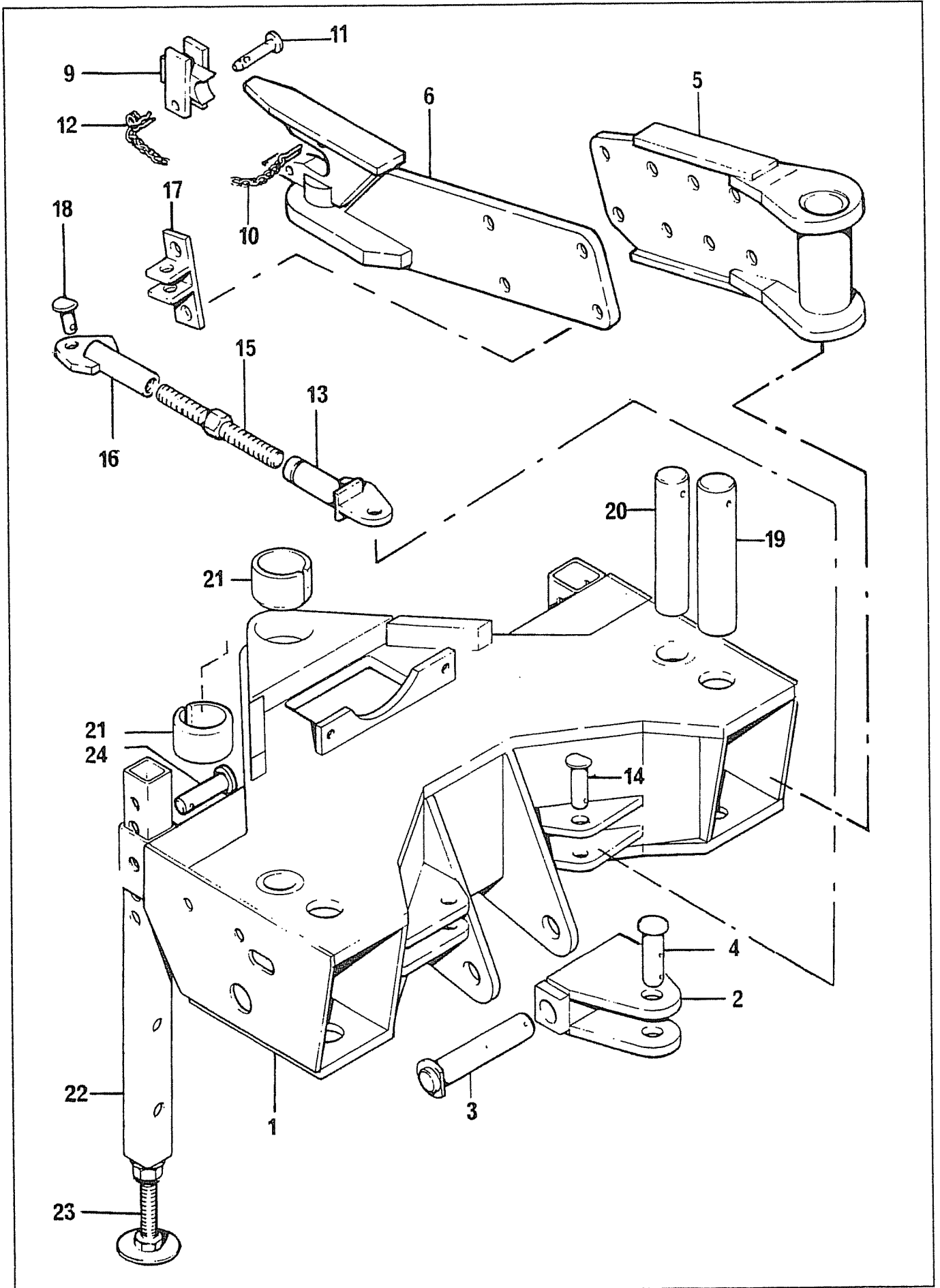
PAGE NO.	TITLE
2 - 1 TO 2 - 2	MAINFRAME ASSEMBLY
3 - 1 TO 3 - 2	KINGPOST ASSEMBLY
4 - 1 TO 4 - 2	TANK ASSEMBLY
5 - 1 TO 5 - 2	ARM-FIRST
6 - 1 TO 6 - 2	ARM-SECOND
7 - 1 TO 7 - 6	ARM-THIRD 65XM/80XM COWL BRACKET & LINKAGE
8 - 1 TO 8 - 2	PUMP & GEARBOX ASSEMBLY
9 - 1 TO 9 - 4	PUMP CIRCUIT/PUMP CIRCUIT DSR 65XM
10- 1 TO 10- 2	CONTROL VALVE ASSEMBLY-CABLE
11- 1 TO 11- 2	CONTROL VALVE ASSEMBLY - ELECTRIC
12- 1 TO 12- 2	REMOTE CONTROL ASSEMBLY-CABLE
13- 1 TO 13- 2	REMOTE CONTROL ASSEMBLY- ELECTRIC
14- 1 TO 14- 3	FIRST/SLEW RAM CIRCUIT
15- 1 TO 15- 2	SECOND RAM CIRCUIT
16- 1 TO 16- 2	THIRD RAM CIRCUIT 65XM/80XM
17- 1 TO 17- 2	COWL RAM CIRCUIT 65XM/80XM
18- 1 TO 18- 2	OIL COOLER ASSEMBLY
19- 1 TO 19- 4	DECALS

### IMPORTANT

THIS MACHINE IS FOR VEGETATION CONTROL AND  
MUST NOT BE USED FOR ANY OTHER PURPOSE

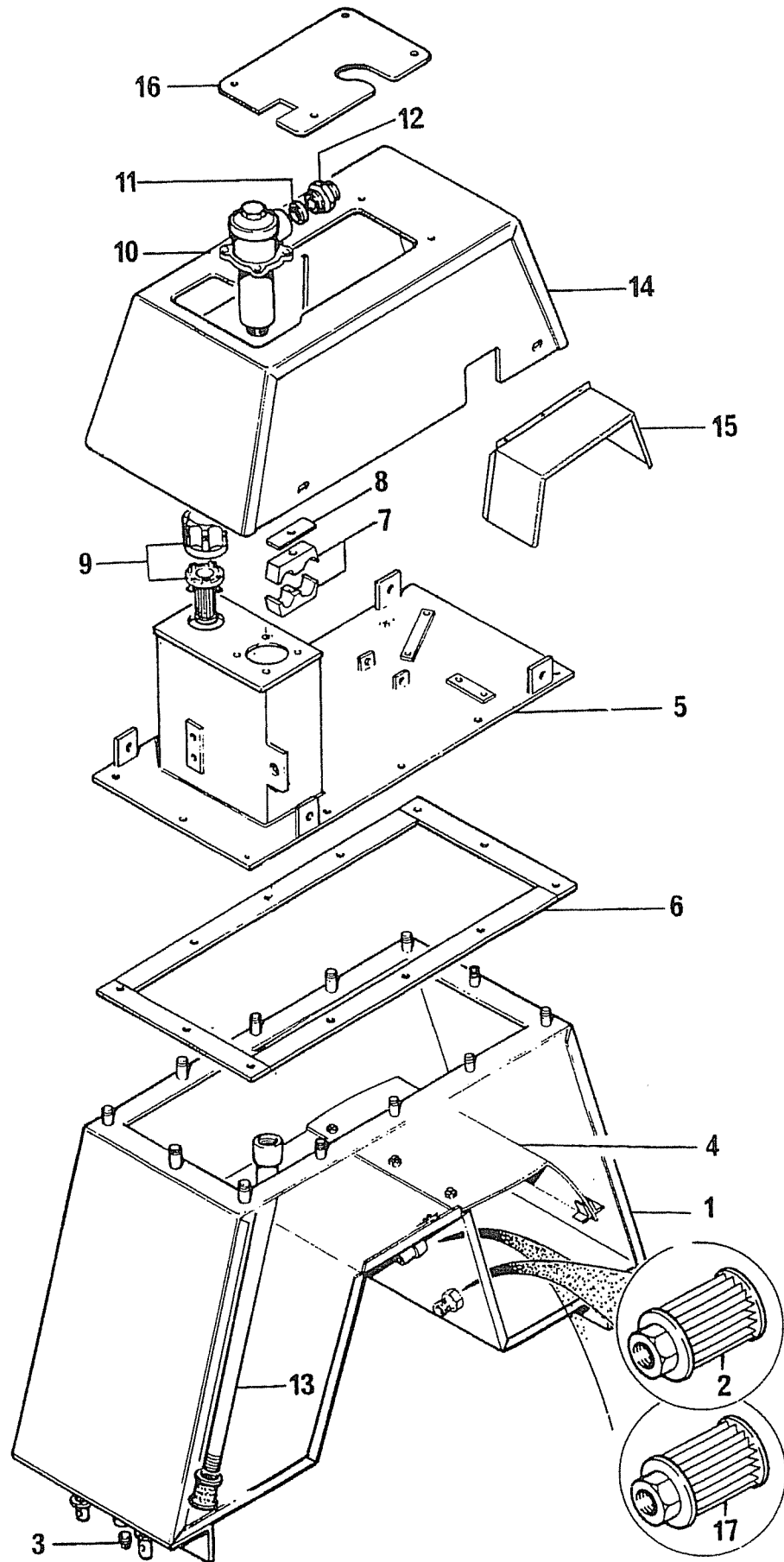
IT IS POTENTIALLY HAZARDOUS TO FIT OR USE  
ANY PARTS OTHER THAN GENUINE BOMFORD TURNER PARTS

THE COMPANY DISCLAIMS ALL LIABILITY FOR THE  
CONSEQUENCES OF SUCH USE, WHICH IN ADDITION  
VOIDS THE MACHINE WARRANTY



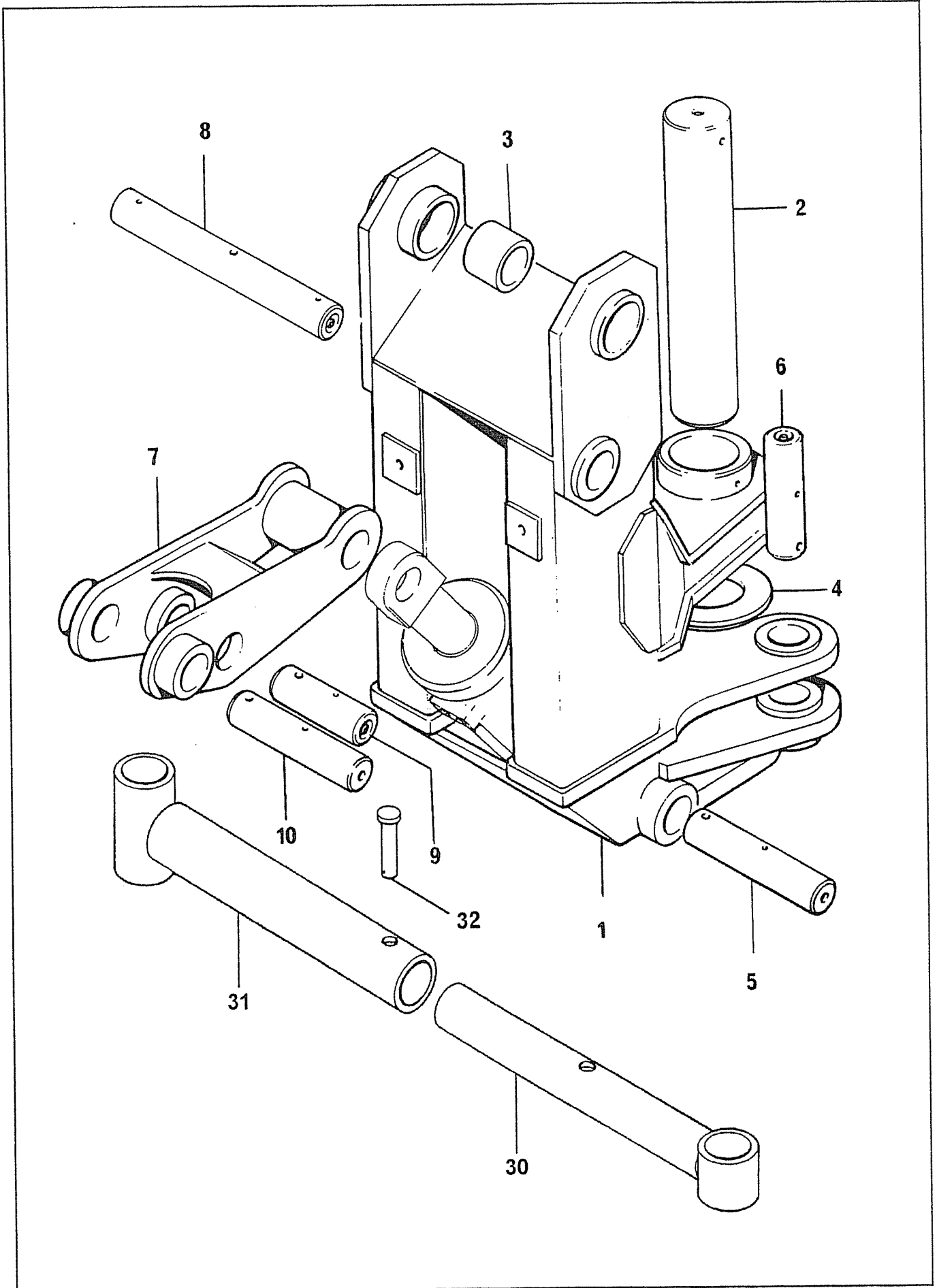
REF	PART NO	DESCRIPTION	QTY
<b>70.795.01 MAINFRAME ASSEMBLY</b>			
*01	08.536.01	MAINFRAME	1
01	05.227.01	HAMMER DRIVE SCREW NO.6 X 3/8"	2
01	05.774.06	SERIAL NO.PLATE BOMFORD TURNER	1
01	05.964.01	SPRING COTTER 3.6MM DIA	1
02	03.644.01	YOKE BRACKET	1
*03	03.654.01	PIN 30 DIA X 198	1
03	05.284.16	SPLIT COTTER 5MM X 50MM	1
03	05.953.01	GREASE NIPPLE M6	2
*04	03.654.02	PIN 30 DIA X 94	1
04	05.284.16	SPLIT COTTER 5MM X 50MM	1
04	05.953.01	GREASE NIPPLE M6	2
05	08.543.01	PIVOT GATE	2
*06	03.752.01	MOUNTING FORK	2
06	05.282.05	SPRING WASHER 20MM PLATED	8
06	05.286.05	NUT M20 PLATED	8
06	05.292.41	BOLT M20 X 80MM PLATED	8
09	03.719.01	CATCH PLATE	2
*12	03.255.05	CHAIN-RING ASSY	2
12	03.650.01	PIN 12 DIA X 68	2
12	05.953.03	GREASE NIPPLE M10	2
13	03.805.01	BRACKET-TIE ROD LH	2
*14	03.652.03	PIN 20 DIA X 79	2
14	05.284.03	SPLIT COTTER 3.2MM X 36MM	2
*15	03.804.01	TURNBUCKLE PLATED	2
15	05.286.06	NUT M24 PLATED	2
16	03.806.01	BRACKET-TIE ROD RH	2
17	03.720.01	BRACKET-TIE ROD	2
*18	03.652.02	PIN 20 DIA X 53	2
18	05.284.03	SPLIT COTTER 3.2MM X 36MM	2
*19	03.657.23	PIN - DIA 50 X 270	2
19	05.282.03	SPRING WASHER 12MM PLATED	2
19	05.286.03	NUT M12 PLATED	2
19	05.292.22	BOLT M12 X 90MM PLATED	2
*20	03.656.48	PIN - DIA 40 X 244	2
20	05.282.02	SPRING WASHER 10MM PLATED	2
20	05.286.02	NUT M10 PLATED	2
20	05.292.11	BOLT M10 X 80MM PLATED	2
21	02.771.12	TENSION BUSH 85 X 70 X 50	2
22	08.651.01	STAND - PARKING	2
23	30.141.34	ADJUSTER FOOT	2
*24	03.652.01	PIN 20 DIA X 90	2
24	00.372.01	LINCH PIN	4

\*MAIN PART IN GROUP, RELATED PARTS HAVE SAME REFERENCE NUMBER



REF	PART NO	DESCRIPTION	QTY
<b>70.796.02 TANK ASSEMBLY - 125L</b>			
*01	08.539.02	TANK	1
01	00.372.01	LINCH PIN	4
01	05.264.45	SETSCREW M20 X 40MM PLATED	2
01	05.281.05	FLAT WASHER 20MM PLATED	2
01	05.282.05	SPRING WASHER 20MM PLATED	2
01	05.286.05	NUT M20 PLATED	2
01	30.216.54	RIVNUT M8 FLAT HD 16.0 LG	3
02	8401044	STRAINER UCC REF UC-SE-1320	2
03	05.495.01	PLUG 1/2"BSPT	1
*04	08.546.01	TANK BAFFLE	1
04	05.282.01	SPRING WASHER 8MM PLATED	3
04	08.621.01	THUMB SCREW - M8 X 25	3
*05	08.540.02	TANK TOP - 125 L	1
05	05.281.01	FLAT WASHER 8MM PLATED	12
05	05.282.01	SPRING WASHER 8MM PLATED	12
05	05.286.01	NUT M8 PLATED	12
06	08.549.01	GASKET	1
*07	30.217.76	HOSE TWIN CLAMP	2
07	05.281.01	FLAT WASHER 8MM PLATED	1
07	05.282.01	SPRING WASHER 8MM PLATED	1
07	05.286.01	NUT M8 PLATED	1
08	06.418.01	CLAMP PLATE 95 X 6	1
09	06.966.01	BREATHER CAP & STRAINER ASSY	1
10	05.282.07	SPRING WASHER 6MM PLATED	4
10	05.625.09	SOCKET-CAPSCREW M6 X 25MM PLATED	4
*10	06.516.25	FILTER ASSEMBLY C/W DIFFUSER	1
10	06.516.26	FILTER ELEMENT	-
10	06.516.27	SEAL KIT FOR 06.516.25	-
11	05.290.08	BONDED SEAL 1.1/4" BSP	1
12	05.131.01	ADAPTOR 1" X 1.1/4" BSP	1
13	41485.01	PIPE - FILTER EXTENSION	1
*14	09.225.03	COVER-TANK TOP (125L) DSR	1
14	08.622.03	COVER-TANK TOP (125L)	1
14	05.282.02	SPRING WASHER 10MM PLATED	4
14	05.281.02	FLAT WASHER 10MM PLATED	4
14	05.264.11	SETSCREW M10 X 20MM PLATED	4
14	05.969.04	THRD CUT SCREW HEX NO. 10 X 16 & WASHER	4
15	09.226.01	COVER-VALVE	1
*16	42283.01	COVER PLATE-PLASTIC	1
16	05.264.02	SETSCREW M8 X 25MM PLATED	5
16	05.281.01	FLAT WASHER 8MM PLATED	5
16	30.216.54	RIVNUT M8 FLAT HEAD 16.0 LG	5
17	05.367.02	FILTER-SUCTION	1

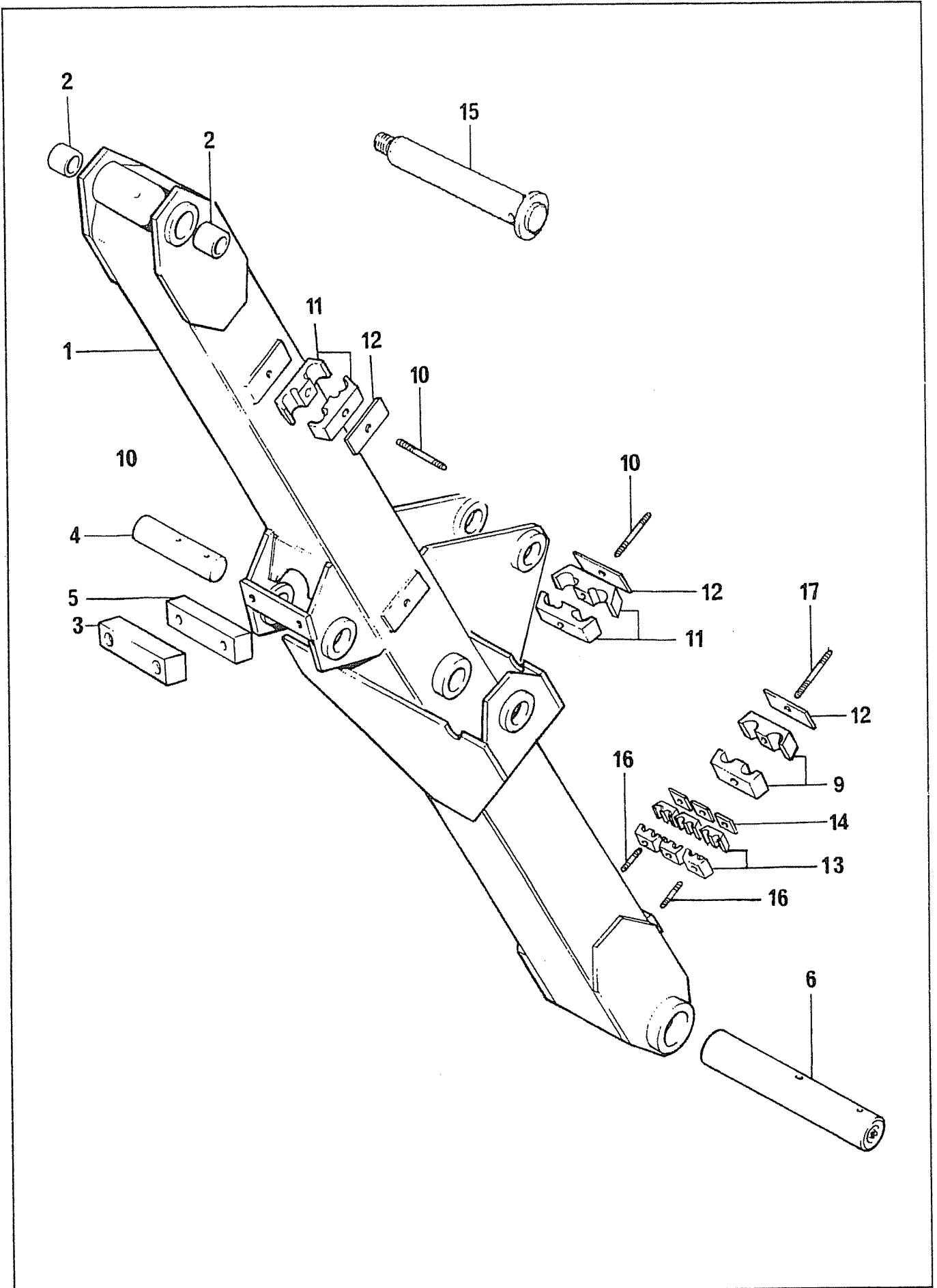
\*MAIN PART IN GROUP, RELATED PARTS HAVE SAME REFERENCE NUMBER





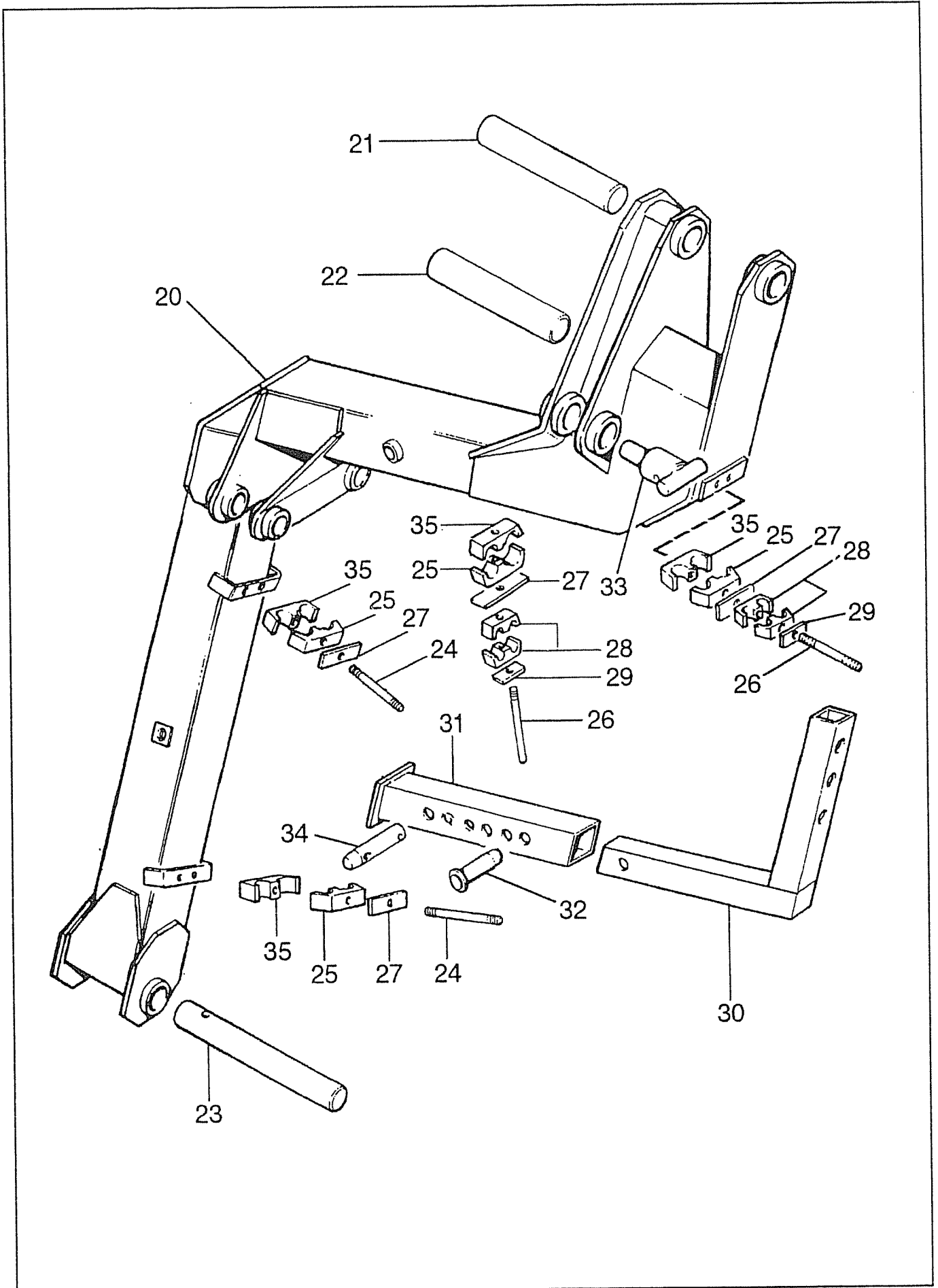
REF	PART NO	DESCRIPTION	QTY
<b>70.797.01 KINGPOST ASSEMBLY</b>			
<b>72.176.01 PARKING STRUT ASSEMBLY</b>			
01	08.537.01	KINGPOST	1
*02	03.658.04	PIN - DIA 70 X 426	1
02	05.287.03	SELF-LOCKING NUT M12 PLATED	1
02	05.625.22	SCK CAPSCREW M12X120-12.9PLATE	1
03	08.297.01	BUSH - PLASTIC 60 X 50 X 50	2
04	08.541.01	THRUST WASHER	1
*05	03.656.45	PIN - DIA 40 X 212	1
05	05.282.02	SPRING WASHER 10MM PLATED	1
05	05.286.02	NUT M10 PLATED	1
05	05.292.11	BOLT M10 X 80MM PLATED	1
05	05.953.01	GREASE NIPPLE M6	1
*06	03.656.47	PIN - DIA 40 X 148	2
06	05.282.02	SPRING WASHER 10MM PLATED	2
06	05.286.02	NUT M10 PLATED	2
06	05.292.11	BOLT M10 X 80MM PLATED	2
06	05.953.01	GREASE NIPPLE M6	2
07	08.538.01	EXTENSION BRACKET	1
*08	03.656.42	PIN - DIA 40 X 336	1
08	05.282.02	SPRING WASHER 10MM PLATED	1
08	05.286.02	NUT M10 PLATED	1
08	05.292.11	BOLT M10 X 80MM PLATED	1
08	05.953.01	GREASE NIPPLE M6	2
*09	03.656.43	PIN - DIA 40 X 127	1
09	05.282.02	SPRING WASHER 10MM PLATED	1
09	05.286.02	NUT M10 PLATED	1
09	05.292.11	BOLT M10 X 80MM PLATED	1
09	05.953.01	GREASE NIPPLE M6	1
*10	03.656.46	PIN - DIA 40 X 193	1
10	05.282.02	SPRING WASHER 10MM PLATED	1
10	05.286.02	NUT M10 PLATED	1
10	05.292.11	BOLT M10 X 80MM PLATED	1
10	05.953.01	GREASE NIPPLE M6	1
30	08.717.01	PARKING STAY-INNER	1
*31	08.718.01	PARKING STAY-OUTER	1
31	08.718.01	GREASE NIPPLE M6	1
*32	07.737.02	PIN-PARKING (DIA 15 X 65)	1
32	05.964.01	SPRING COTTER 3.6MM DIA	1

\*MAIN PART IN GROUP, RELATED PARTS HAVE SAME REFERENCE NUMBER



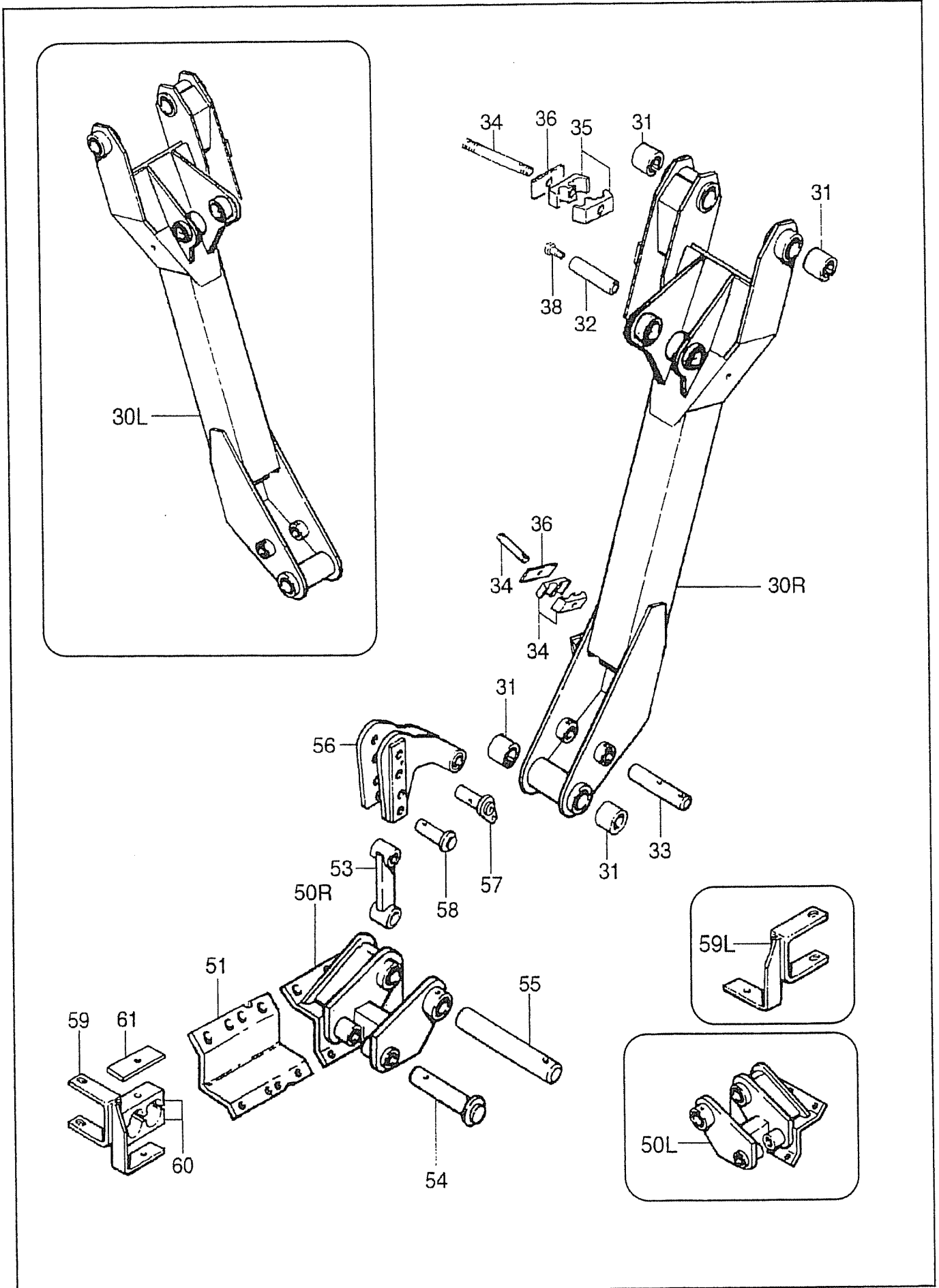
REF	PART NO	DESCRIPTION	QTY
<b>76.432.01 FIRST ARM ASSEMBLY</b>			
*01	08.650.02	ARM - FIRST	1
01	05.953.04	GREASE NIPPLE M10 90 DEG	1
02	08.297.02	BUSH - PLASTIC 47 X 40 X 40	2
*03	30.104.19	BUFFER	1
03	05.292.02	BOLT M8 X 90MM PLATED	2
03	30.070.65	NUT,NYLOC M8 Z/P	2
*04	03.656.44	PIN - DIA 40 X 166	1
04	05.282.02	SPRING WASHER 10MM PLATED	1
04	05.286.02	NUT M10 PLATED	1
04	05.292.11	BOLT M10 X 80MM PLATED	1
05	30.144.71	BRACKET - STOP	1
*06	03.657.24	PIN - DIA 50 X 341	1
06	05.282.03	SPRING WASHER 12MM PLATED	1
06	05.286.03	NUT M12 PLATED	1
06	05.292.22	BOLT M12 X 90MM PLATED	1
09	30.217.76	HOSE TWIN CLAMP	2
*10	04.282.77	STUD M10 X 130	1
10	05.282.02	SPRING WASHER 10MM PLATED	1
10	05.286.02	NUT M10 PLATED	1
10	06.418.05	CLAMP PLATE 95 X 6	1
11	06.430.19	HOSE CLAMP-LOWER HP HOSES	6
12	06.418.05	CLAMP PLATE 95 X 6	3
13	06.430.02	CLAMP HOSE 14 X 14	6
*15	03.656.64	PIN DIA 40 X 286	1
15	05.281.02	FLAT WASHER 10MM PLATED FORM C	1
15	05.281.16	FLAT WASHER 1" BSF HEAVY PLATE	1
15	05.287.06	SELF-LOCKING NUT M24	1
*16	04.282.66	STUD - M10 X 56	2
16	05.281.02	FLAT WASHER 10MM PLATED FORM C	2
16	05.282.02	SPRING WASHER 10MM PLATED	2
16	05.286.02	NUT M10 PLATED	2
*17	04.282.69	STUD - M10 X 105	3
17	05.281.02	FLT WASHER 10MM PLATED FORM C	3
17	05.282.02	SPRING WASHER 10MM PLATED	3
17	05.286.02	NUT M10 PLATED	3

\*MAIN PART IN GROUP, RELATED PARTS HAVE SAME REFERENCE NUMBER



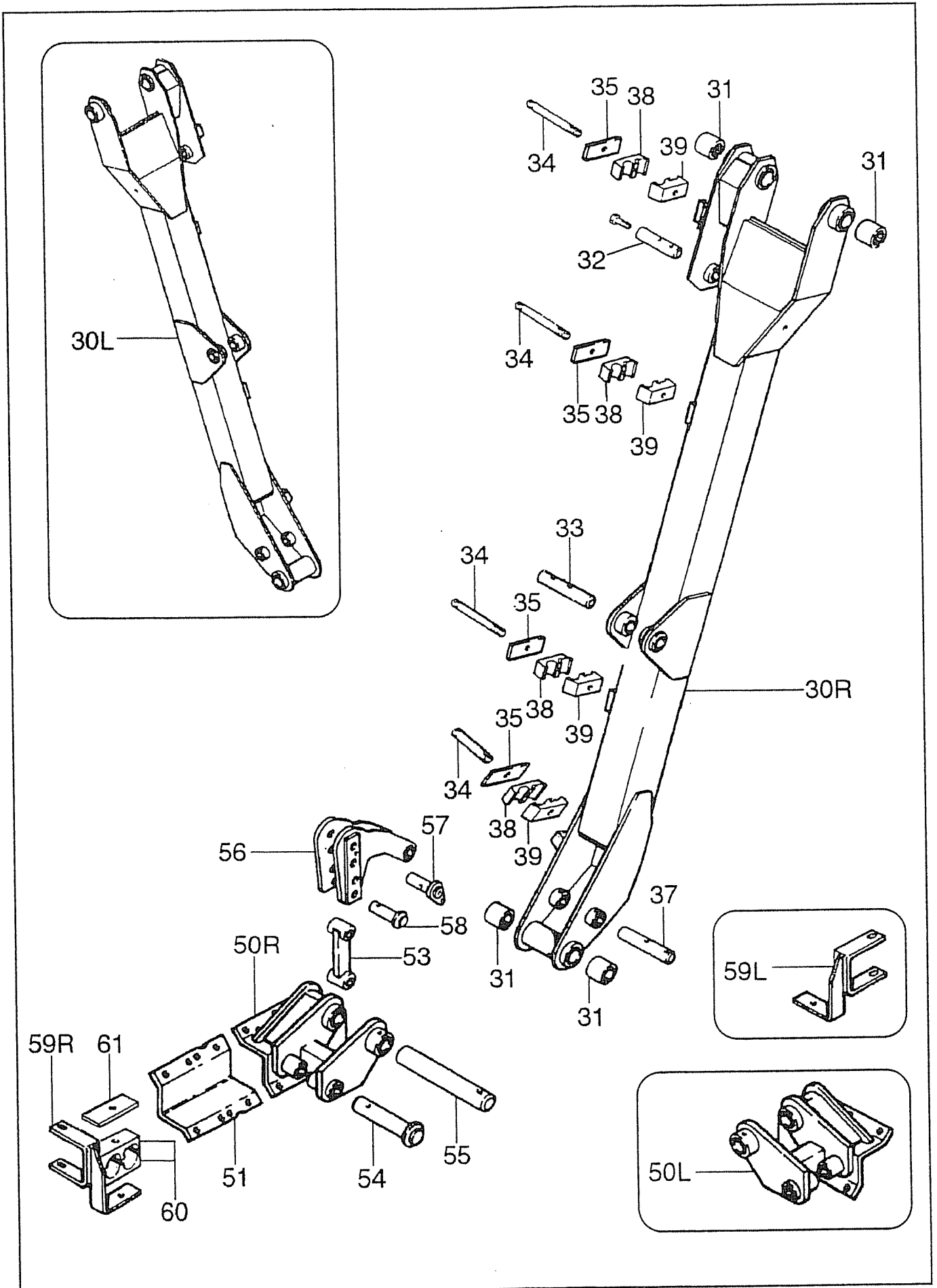
REF	PART NO	DESCRIPTION	QTY
<b>72.158.04/72.647.02 - SECOND ARM ASSEMBLY</b>			
20	08.731.02	ARM - SECOND	1
*21	03.656.50	PIN DIA 40 X 399	1
21	05.282.02	SPRING WASHER 10MM PLATED	1
21	05.286.02	NUT M10 PLATED	1
21	05.292.11	BOLT M10 X 80MM PLATED	1
*22	03.656.49	PIN DIA 40 X 226	1
22	05.282.02	SPRING WASHER 10MM PLATED	1
22	05.286.02	NUT M10 PLATED	1
22	05.292.11	BOLT M10 X 80MM PLATED	1
22	05.953.01	GREASE NIPPLE M6	1
*23	03.656.67	PIN 40 DIA X 374MM	1
23	03.068.01	SPECIAL SETSCREW M12 X 25	2
23	05.282.02	SPRING WASHER 10MM PLATED	1
23	05.282.03	SPRING WASHER 12MM PLATED	2
23	05.286.02	NUT M10 PLATED	1
23	05.292.11	BOLT M10 X 80MM PLATED	1
23	05.953.01	GREASE NIPPLE M6	2
23	07.942.01	WASHER - M12 SPECIAL	2
24	04.282.69	STUD - M10 X 105	4
25	06.430.17	HOSE CLAMP - UPPER	4
*27	06.418.05	CLAMP PLATE 95 X 6	4
27	05.281.02	FLAT WASHER 10MM PLATED FORM C	4
27	05.282.02	SPRING WASHER 10MM PLATED	4
27	05.286.02	NUT M10 PLATED	4
*26	04.282.15	STUD M10 X 120MM	2
26	05.281.02	FLAT WASHER 10MM PLATED FORM C	2
26	05.282.02	SPRING WASHER 10MM PLATED	2
26	05.286.02	NUT M10 PLATED	2
28	06.430.02	CLAMP HOSE 14 X 14	4
29	06.418.06	CLAMP PLATE 48 X 6	2
31	03.649.01	STAND-REAR (BOTTOM)	1
*32	03.652.01	PIN 20 DIA X 90	1
32	00.372.01	LINCH PIN	1
*33	03.656.52	PIN 40 DIA X 120 (STEPPED)	1
33	11.192.91	PIN - LOCKING 3/8" DIA	1
*34	03.652.19	PIN 20 DIA X 107	1
34	00.372.01	LINCH PIN	1
34	05.201.11	TENSION PIN 5MM X 45MM PLATED	1
35	06.430.18	HOSE CLAMP-LOWER	4

\*MAIN PART IN GROUP, RELATED PARTS HAVE SAME REFERENCE NUMBER



REF	PART NO	DESCRIPTION	QTY
<b>72.629.02 THIRD ARM ASSY GT65XM</b>			
30	05.953.03	GREASE NIPPLE M10	1
*30	09.401.04	ARM - THIRD RH	1
31	08.297.02	BUSH - PLASTIC 47 X 40 X 40	4
32	03.653.52	PIN DIA 25 X 131	1
*32	05.201.07	TENSION PIN 8MM X 45MM PLATED	1
*33	03.653.51	PIN 25 DIA X 138	1
33	05.201.07	TENSION PIN 8MM X 45MM PLATED	1
33	05.953.01	GREASE NIPPLE M6	1
*34	04.282.15	STUD M10 X 120MM	2
34	05.281.02	FLAT WASHER 10MM PLATED FORM C	2
34	05.282.02	SPRING WASHER 10MM PLATED	2
34	05.286.02	NUT M10 PLATED	2
34	30.217.76	HOSE TWIN CLAMP	4
35	06.430.02	CLAMP HOSE 14 X 14	4
36	06.418.06	CLAMP PLATE 48 X 6	2
36	06.418.05	CLAMP PLATE 95 X 6	2
*37	03.653.50	PIN 25 DIA X 156	1
37	05.201.07	TENSION PIN 8MM X 45MM PLATED	1
37	05.953.01	GREASE NIPPLE M6	1
38	03.068.01	SPECIAL SETSCREW M12 X 25	1
38	05.282.03	SPRING WASHER 12MM PLATED	1
38	05.953.01	GREASE NIPPLE M6	1
*38	07.942.01	WASHER - M12 SPECIAL	1

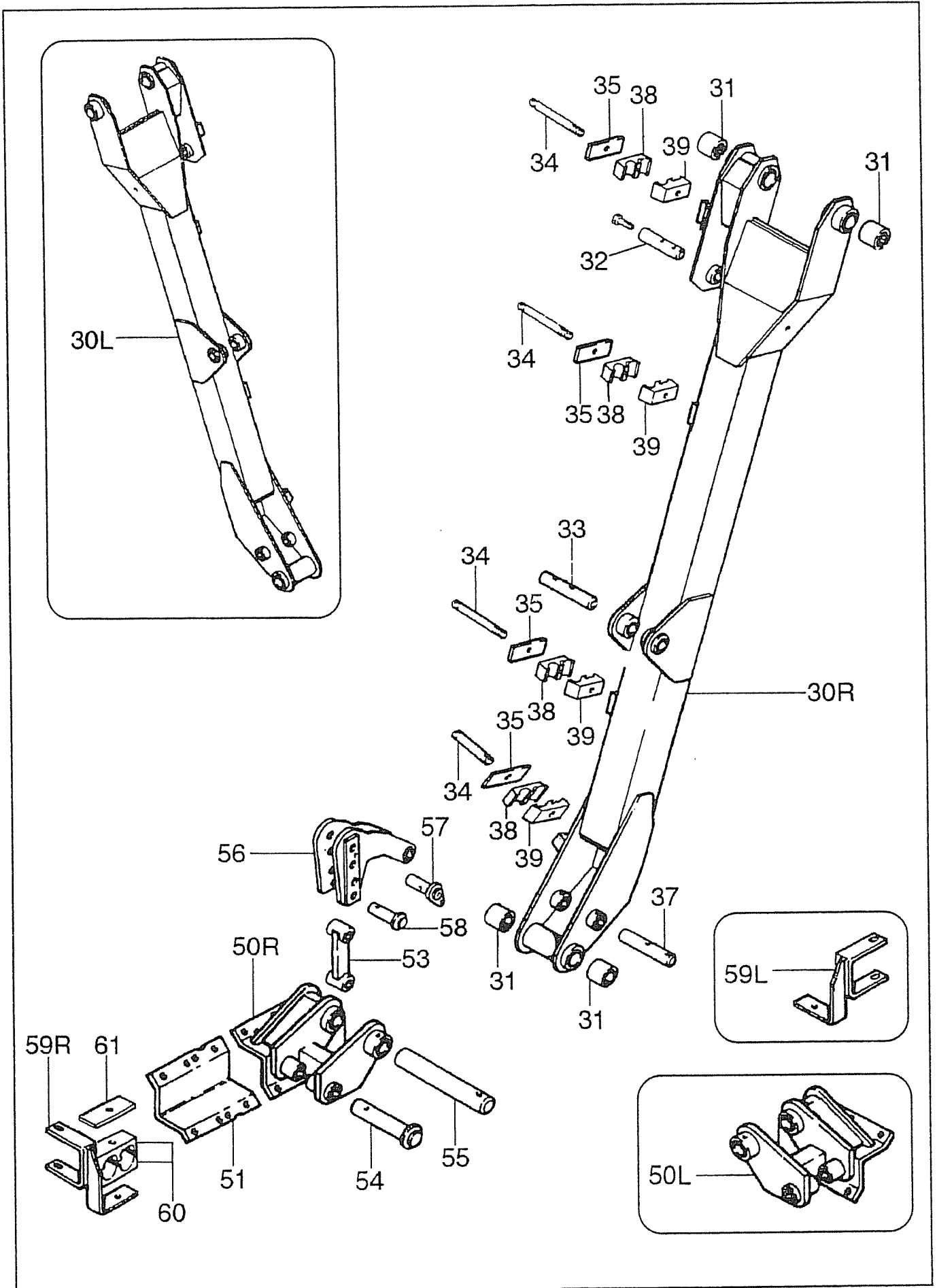
\*MAIN PART IN GROUP, RELATED PARTS HAVE SAME REFERENCE NUMBER





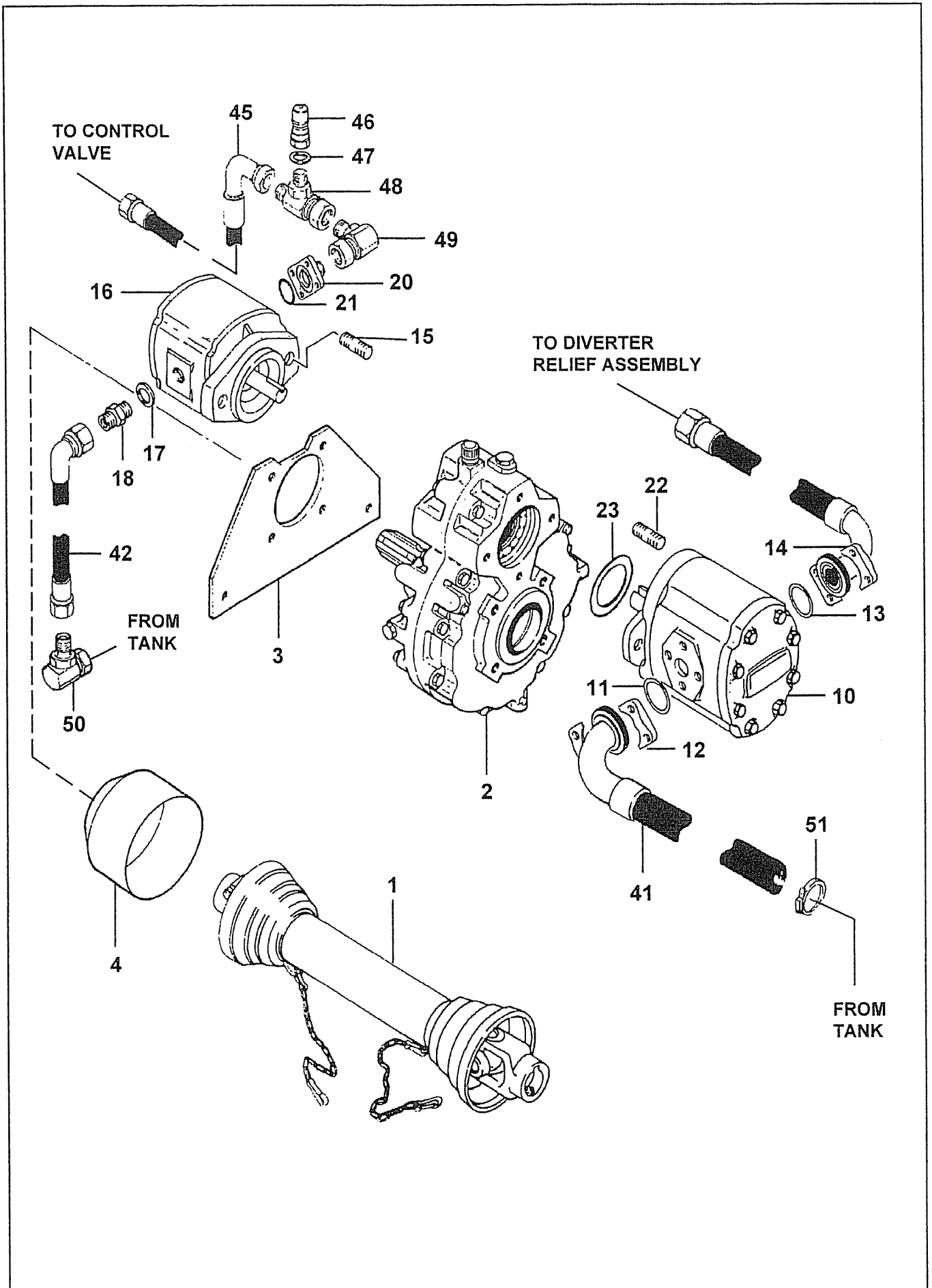
REF	PART NO	DESCRIPTION	QTY
<b>72.161.04/72.628.02 ARM ASSEMBLY - 3RD LH/RH</b>			
*30	09.402.03	ARM - THIRD LH	1
30	09.402.04	ARM - THIRD RH	1
30	05.953.03	GREASE NIPPLE M10	1
31	08.297.02	BUSH - PLASTIC 47 X 40 X 40	5
*32	03.655.17	PIN DIA 35 X 131	1
32	05.201.10	TENSION PIN 10MMX60MM PLATED	1
*33	03.653.51	PIN 25 DIA X 138	1
33	05.201.07	TENSION PIN 8MM X 45MM PLATED	1
33	05.953.01	GREASE NIPPLE M6	1
*34	04.282.69	STUD - M10 X 105	4
34	05.281.02	FLAT WASHER 10MM PLATED FORM C	4
34	05.282.02	SPRING WASHER 10MM PLATED	4
34	05.286.02	NUT M10 PLATED	4
35	06.418.05	CLAMP PLATE 95 X 6	4
*36	05.201.07	TENSION PIN 8MM X 45MM PLATED	1
36	05.953.01	GREASE NIPPLE M6	1
*37	03.653.50	PIN 25 DIA X 156	1
37	03.068.01	SPECIAL SETSCREW M12 X 25	1
37	05.282.03	SPRING WASHER 12MM PLATED	1
37	05.953.01	GREASE NIPPLE M6	1
37	07.942.01	WASHER - M12 SPECIAL	1
38	06.430.17	HOSE CLAMP - UPPER	4
39	06.430.18	HOSE CLAMP-LOWER	4

\*MAIN PART IN GROUP, RELATED PARTS HAVE SAME REFERENCE NUMBER



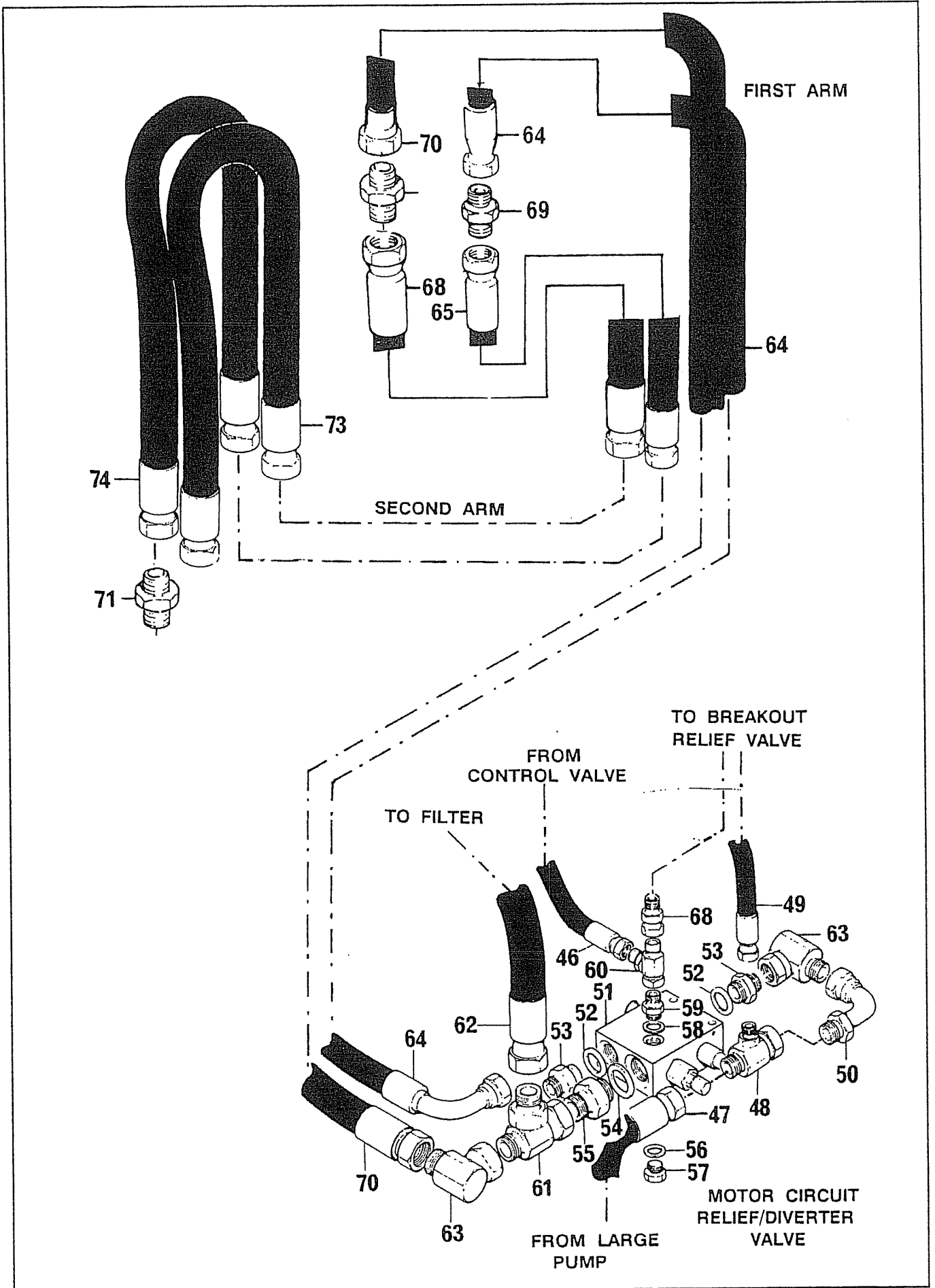
REF	PART NO	DESCRIPTION	QTY
<b>72.497.02/72.498.02 COWL BRACKET ASSEMBLY - LH/RH</b>			
*50	08.268.01	BRACKET - COWL LH	1
50	08.268.02	BRACKET - COWL RH	1
*51	07.947.01	CLAMP - COWL BRACKET	1
51	05.264.25	SETSCREW M12 X 40MM PLATED	6
51	05.282.03	SPRING WASHER 12MM PLATED	6
51	05.286.03	NUT M12 PLATED	6
*53	03.846.01	LINK COWL	1
53	05.953.01	GREASE NIPPLE M6	2
*54	03.654.45	PIN 30 DIA X 172	1
54	05.201.07	TENSION PIN 8MM X 45MM PLATED	1
*55	03.656.41	PIN 40 DIA X 278	1
55	05.282.02	SPRING WASHER 10MM PLATED	1
55	05.286.02	NUT M10 PLATED	1
55	05.292.11	BOLT M10 X 80MM PLATED	1
56	06.314.01	LINK-THIRD RAM	1
*57	03.653.04	PIN 25 DIA X 83	1
57	04.175.01	STUD M10 X 29MM	1
57	05.281.02	FLT WASHER 10MM PLATED FORM C	1
57	05.968.02	SELF LOCKING NUT M10 (FINE)	1
*58	03.653.03	PIN 25 DIA X 106	1
58	00.372.01	LINCH PIN	1
*59	09.312.01	CLAMP-HOSE BRACKET LH	1
59	09.312.02	CLAMP-HOSE BRACKET RH	1
59	05.282.01	SPRING WASHER 8MM PLATED	1
59	05.282.02	SPRING WASHER 10MM PLATED	1
59	05.286.01	NUT M8 PLATED	1
59	05.286.02	NUT M10 PLATED	1
59	05.292.01	BOLT M8 X 80MM PLATED	1
59	05.292.13	BOLT M10 X 100MM PLATED	1
60	30.217.76	HOSE TWIN CLAMP	2
61	06.418.01	CLAMP PLATE 95 X 6	1

\*MAIN PART IN GROUP, RELATED PARTS HAVE SAME REFERENCE NUMBER



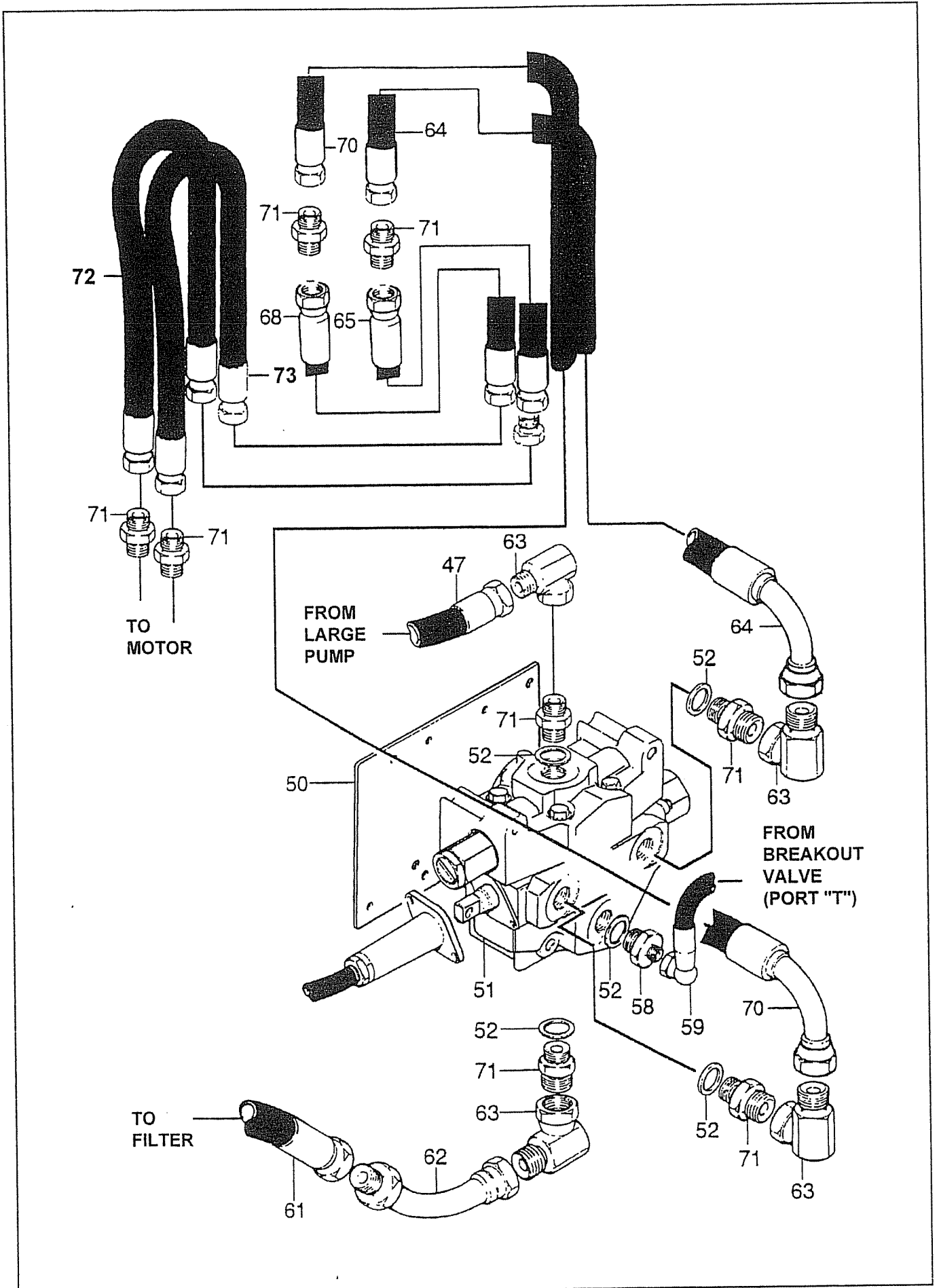
REF	PART NO	DESCRIPTION	QTY
<b>76.429.01 GEARBOX / PTO ASSEMBLY</b>			
*01	41624.01	PTO SHAFT ASSY 560 MM C/C	1
01	41624.31	CROSS JOURNAL SET	-
01	41624.32	COMPLETE SHIELD	-
*02	07.727.02	GEAR BOX HITON LS 3:1 SAE B/A	1
02	05.264.22	SETSCREW M12 X 25MM PLATED	4
02	05.281.03	FLAT WASHER 12MM PLATED	4
02	05.282.03	SPRING WASHER 12MM PLATED	4
*03	41420.01	PLATE - G/BOX MOUNTING	1
03	05.264.24	SETSCREW M12 X 35MM PLATED	2
03	05.281.03	FLAT WASHER 12MM PLATED	2
03	05.282.03	SPRING WASHER 12MM PLATED	2
03	05.286.03	NUT M12 PLATED	2
*04	08.548.01	GUARD - PLASTIC PTO CUP	1
04	05.281.01	FLAT WASHER 8MM PLATED	2
04	05.282.01	SPRING WASHER 8MM PLATED	2
04	30.068.95	SCREW M8 X 12 8.8 GRADE Z/P	2
<b>76.430.01 PUMP ASSEMBLY</b>			
10	09.536.01	GEAR PUMP - ULTRA 3PL	1
11	8600303	O RING 200-225-4490	1
12	0342104	CAPSCREW 1/2"UNC 1.1/4"LGBZP	4
12	41.294.01	SPLIT FLANGE 1.1/2"SAE 3000PSI	1
13	8600124	O RING 200-219-4490	1
14	01.697.03	SPLIT FLANGE 1"SAE3000PSI	1
14	0342103	CAPCREW 3/8"UNC 1.1/4"LGBZP	4
*15	03.100.01	STUD M10 X 34MM	2
15	05.286.02	NUT M10 PLATED	2
16	09.537.03	GEAR PUMP 1PX150	1
17	05.290.06	BONDED SEAL 3/4"BSP	1
18	05.376.01	ADAPTOR 3/4"BSP X 1/2"BSP	1
*20	09.745.01	ADAPTOR-FLANGE 3/8"BSP PLATED	1
20	05.657.01	SOCKET CAPSCRW 5/16"UNC X 7/8" PLT	4
21	30.210.92	O RING 200-121-4490	1
*22	04.282.74	STUD - M12 X 46	2
22	05.281.03	FLAT WASHER 12MM PLATED	2
22	05.287.03	SELF-LOCKING NUT M12 PLATED	2
23	41421.01	GASKET - PUMP FACE	1
*41	10.024.06	HOSE 1.5" OPEN X 90FLANGE 1160 LG	1
41	05.863.02	JUBILEE CLIP 2"DIA	1
42	10.010.10	HOSE 3/4"BSP ST X 90 S.SEAL 500	1
45	10.004.16	HOSE 3/8"BSP ST X 90 S.SEAL 800	1
46	05.835.01	ADAPTOR-SWIVEL 90 3/8"BSP M/F	2
47	10.022.30	HOSE 1"ST(BSP) X 90FLANGE 1160 LG	1

\*MAIN PART IN GROUP, RELATED PARTS HAVE SAME REFERENCE NUMBER



REF	PART NO	DESCRIPTION	QTY
<b>72.167.02 PUMP CIRCUIT</b>			
01	10.011.57	HOSE 1" BSP ST X ST S.SEAL 4700	1
02	10.011.57	HOSE 1" BSP ST X ST S.SEAL 4700	1
40	10.024.06	HOSE 1.5" OPEN X 90FLANGE 1160 LG	1
41	05.863.02	JUBILEE CLIP 2"DIA	1
43	10.010.10	HOSE 3/4"BSP STX90 S.SEAL 500	1
45	10.004.16	HOSE 3/8"BSP STX90 S.SEAL 800	1
46	10.004.08	HOSE 3/8"BSP STX90 S.SEAL 400	1
47	10.022.30	HOSE 1"ST(BSP) X 90FLANGE 1160 LG	1
50	30.052.66	1" BSP M/F SWEPT ELBOWS	1
*51	06.284.01	RELIEF VALVE/DIVERter ASSY	1
51	05.281.01	FLAT WASHER 8MM PLATED	2
51	05.282.01	SPRING WASHER 8MM PLATED	2
51	05.291.08	BOLT M8 X 65MM PLATED	2
51	05.657.01	SCKT CAPSCREW 5/16"UNC X 7/8" PLT	2
51	06.284.02	SEAL KIT FOR (06.284.01) VALVE	-
51	06.299.03	RELIEF VALVE CARTRIDGE 207 BAR	-
52	05.290.06	BONDED SEAL 3/4"BSP	3
53	05.373.01	ADAPTOR 3/4"BSP X 1"BSP	2
54	05.290.07	BONDED SEAL 1"BSP	1
55	05.434.01	ADAPTOR 1"BSP X 1"BSP	1
56	05.117.01	COPPER WASHER 3/8" BSP	1
57	05.433.01	PLUG 3/8"BSP PLATED	1
58	05.290.04	BONDED SEAL 3/8"BSP	1
59	05.124.01	ADAPTOR 3/8" BSP X 3/8" BSP	1
60	05.835.01	ADAPTOR-SWIVEL 90 3/8"BSP M/F	1
61	04.056.02	ADAPTOR-SWIVEL TEE 1"BSP F/M/M	1
62	10.011.08	HOSE 1"BSP ST X ST S.SEAL 400	1
63	05.835.02	ADAPTOR-SWIVEL 90 1"BSP M/F	2
64	10.012.46	HOSE 1"BSP ST X 90 S.SEAL 3600	1
65	10.022.23	HOSE 1"BSP ST X ST S.SEAL 1650	1
68	10.022.23	HOSE 1"BSP ST X ST S.SEAL 1650	0
69	05.434.01	ADAPTOR 1"BSP X 1"BSP	2
70	10.011.46	HOSE 1"BSP ST X ST S.SEAL 3600	1
71	05.434.01	ADAPTOR 1"BSP X 1"BSP	1

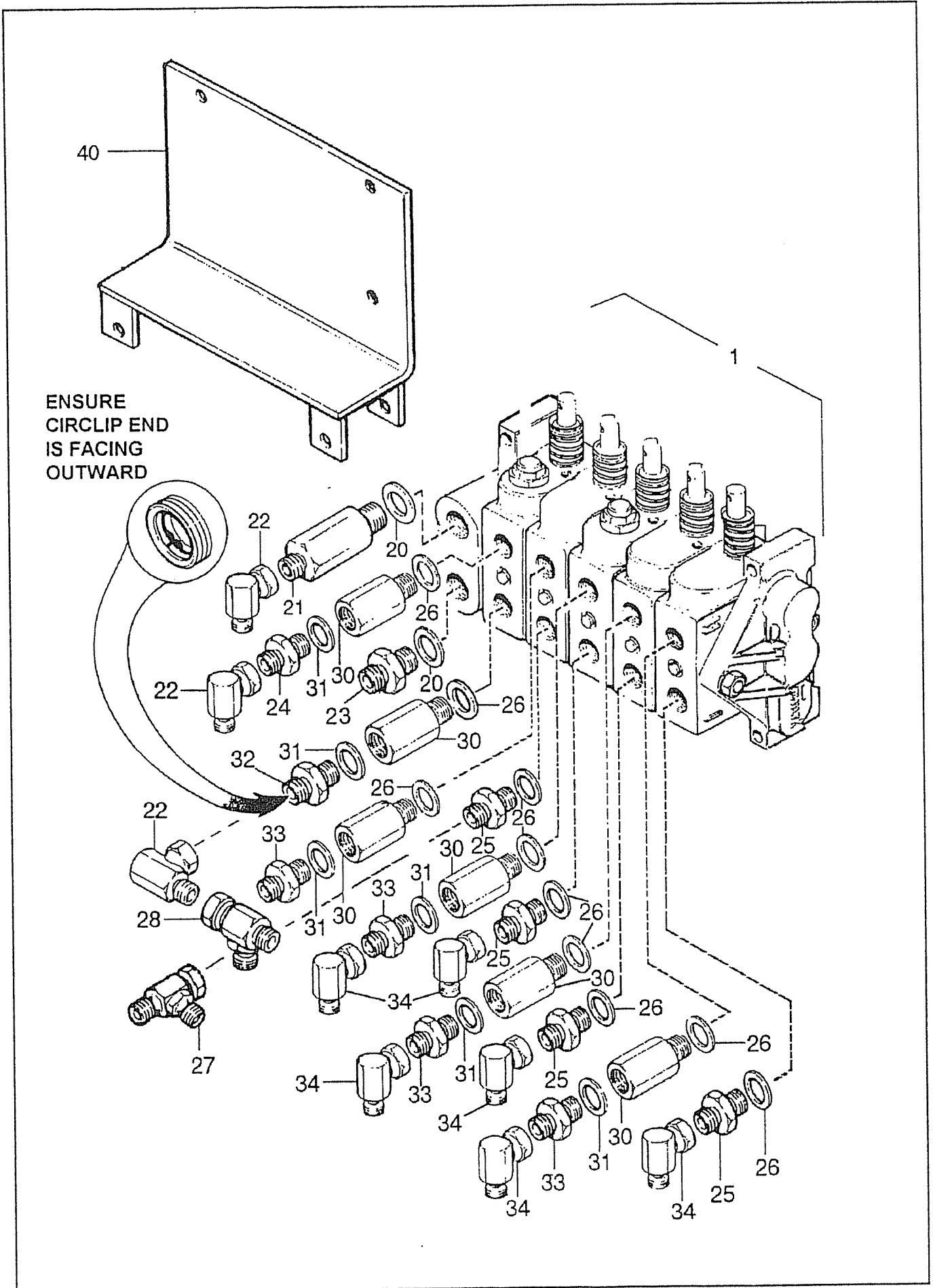
\*MAIN PART IN GROUP, RELATED PARTS HAVE SAME REFERENCE NUMBER





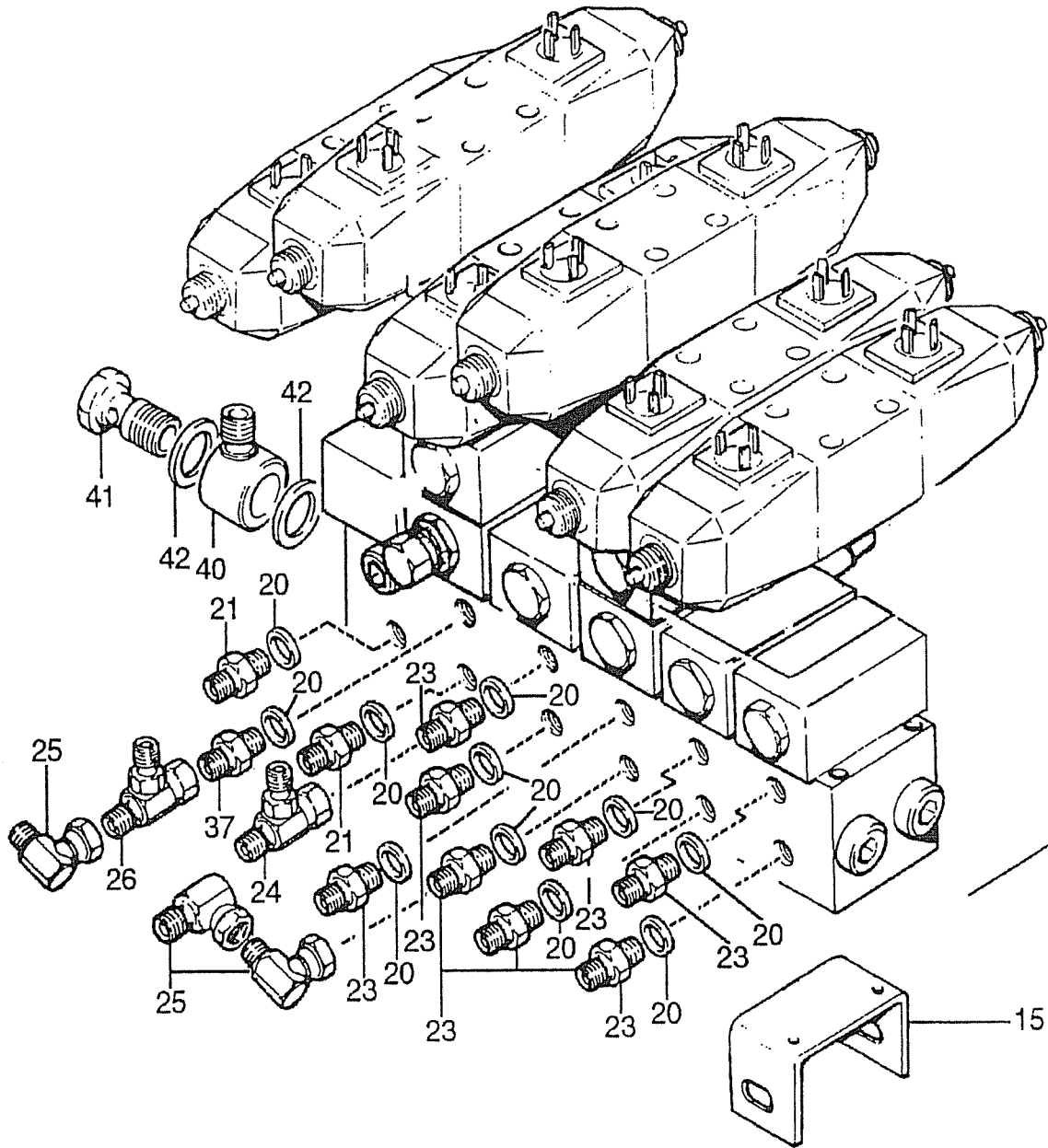
REF	PART NO	DESCRIPTION	QTY
<b>72.607.03 PUMP CIRCUIT B80/65 125L DSR</b>			
48	05.835.02	ADAPTOR-SWIVEL 90 1"BSP M/F	1
50	05.282.01	SPRING WASHER 8MM PLATED	4
50	05.839.03	SETSCREW M8 X 16MM PLATED	4
*50	08.864.01	PLATE-MOUNTING REV. VALVE	1
51	05.282.02	SPRING WASHER 10MM PLATED	3
51	05.292.13	BOLT M10 X 100MM PLATED	3
*51	09.857.01	DSR CONTROL VALVE 210 BAR	1
52	05.290.06	BONDED SEAL 3/4"BSP	5
58	05.128.01	ADAPTOR 3/4" BSP X 3/8" BSP	1
59	10.004.13	HOSE 3/8"BSP ST X 90 S.SEAL 650	1
61	10.012.12	HOSE 1"BSP ST X 90 S.SEAL 600	1
62	08.940.02	ADAPTOR-135DEG 1"X1" BSP M/F	1
63	05.835.02	ADAPTOR-SWIVEL 90 1"BSP M/F	4
64	10.012.49	HOSE 1"BSP ST X 90 S.SEAL 3900	1
65	10.022.23	HOSE 1"BSP ST X ST S.SEAL 1650	1
68	10.022.23	HOSE 1"BSP ST X ST S.SEAL 1650	1
70	10.012.49	HOSE 1"BSP ST X 90 S.SEAL 3900	1
71	05.434.01	ADAPTOR 1"BSP X 1"BSP	8
72	10.012.48	HOSE 1"BSP ST X 90 S.SEAL 3800	1
73	10.012.48	HOSE 1"BSP ST X 90 S.SEAL 3800	1

\*MAIN PART IN GROUP, RELATED PARTS HAVE SAME REFERENCE NUMBER



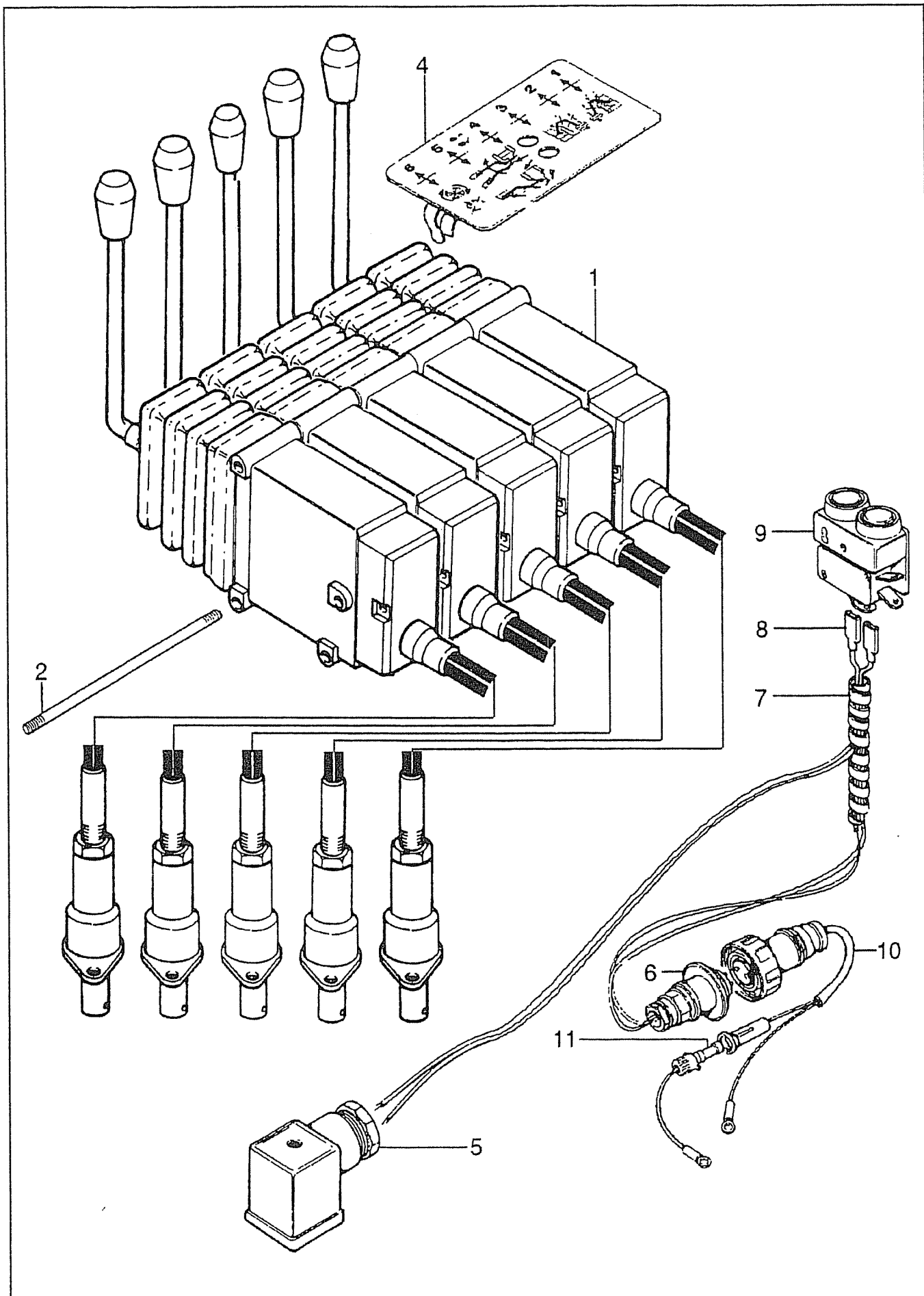
REF	PART NO	DESCRIPTION	QTY
<b>72.609.02/72.609.02 CONTROL VALVE ASSEMBLY RH - CABLE</b>			
*01	41335.14	CONTROL VALVE ASSEMBLY - 5 SPOOL	1
01	41335.47	VALVE SLICE - KA10 D/A,SLR	-
01	05.282.02	SPRING WASHER 10MM PLATED	3
01	05.286.02	NUT M10 PLATED	3
01	05.291.17	BOLT M10 X 60MM PLATED	3
01	41335.31	SEAL KIT-ALL KA10 VALVES	-
01	41335.32	SEAL KIT - KA10 SPOOL	-
01	41335.33	SEAL KIT - KA10 INTERFACE	-
01	41335.40	INLET COVER - KA10 VALVE	-
01	41335.46	VALVE SLICE - KA10 1/2MOTOR	-
01	41335.48	VALVE SLICE - KA10 D/A	-
01	41335.74	SERVICE R/VALVE (70 B) - KA10	-
01	41335.79	SERVICE R/VALVE (207 B) - KA10	-
01	41335.58	OUTLET B - KA10	-
01	41335.45	VALVE SLICE - KA10 1/2M,SLR	-
01	41335.72	MAIN R/VALVE (207 B) - KA10	-
20	05.290.06	BONDED SEAL 3/4"BSP	2
21	05.380.01	ADAPTOR 3/4"BSP X 3/8"BSP(EXTND)	1
22	05.835.01	ADAPTOR-SWIVEL 90 3/8"BSP M/F	3
23	05.128.01	ADAPTOR 3/4" BSP X 3/8" BSP	1
24	05.1234.01	ADAPTOR 1/2" BSP X 3/8" BSP	1
25	01.099.03	ADAPTOR 1/2BSP X 1/4BSP	4
26	05.290.05	BONDED SEAL 1/2"BSP	10
27	04.056.10	ADAPTOR - TEE 1/4"BSP F/M/M	1
28	04.056.16	ADAPTOR F/M/M 3/8 X 3/8 X 1/4 BSP	1
30	05.225.01	ADAPTOR-RDCG.1/2"BSP X 3/8"BSP	6
31	05.290.04	BONDED SEAL 3/8"BSP	6
32	03.028.01	RESTRICTOR 3/8"X 3/8"BSP 1.27	1
33	01.099.01	ADAPTOR 3/8"BSP X1/4"BSP	4
34	05.835.04	ADAPTOR - SWIVEL 90° 1/4"BSP MF	6
*40	08.758.01	BRACKET - VALVE MOUNTING	1
40	05.281.02	FLAT WASHER 10MM PLATED FORM C	2
40	05.282.02	SPRING WASHER 10MM PLATED	2
40	05.292.12	BOLT M10 X 90 PLATED	2

\*MAIN PART IN GROUP, RELATED PARTS HAVE SAME REFERENCE NUMBER



REF	PART NO	DESCRIPTION	QTY
<b>72.163.05 CONTROL VALVE ASSY-ELECTRIC</b>			
*01	08.852.07	CONTROL VALVE ELECT 5 SERVICE	1
01	08.852.04	CETOP 3 INTERFACE SEAL - VITON	-
01	08.852.51	CETOP 3 VENT VALVE	-
01	08.852.52	CETOP 3 MOTOR SPOOL VALVE	-
01	08.852.56	CETOP 3 FLOAT SPOOL VALVE	-
01	07.635.96	CETOP 3 RELIEF VALVE 207 BAR	-
01	08.852.55	CETOP 3 SINGLE PO CHECK VALVE	-
07	07.635.85	SER LNE RELIEF CARTRIDGE 70BAR	-
08	08.852.53	CETOP 3 DUAL PO CHECK VALVE	-
*09	42283.01	COVER PLATE - PLASTIC	1
09	05.264.02	SETSCREW M8 X 25MM PLATED	5
09	05.281.01	FLAT WASHER 8MM PLATED	5
09	30.216.54	RIVNUT M8 FLAT HD 16.0 LG	5
*15	08.628.01	PLATE - VALVE MOUNTING	2
15	05.281.02	FLAT WASHER 10MM PLATED FORM C	2
15	05.282.02	SPRING WASHER 10MM PLATED	2
15	05.282.09	SPRING WASHER 5MM PLATED	4
15	05.292.12	BOLT M10 X 90 PLATED	2
15	30.073.93	SCREW M5 X 16MM 8.8 GRADE	4
20	05.290.04	BONDED SEAL 3/8"BSP	11
21	05.124.01	ADAPTOR 3/8" BSP X 3/8" BSP	2
23	01.099.01	ADAPTOR 3/8BSP X 1/4BSP	8
24	04.056.10	ADAPTOR - TEE 1/4"BSP F/M/M	1
25	05.835.04	ADAPTOR - SWIVEL 90 1/4"BSP MF	3
26	04.056.16	ADAPTOR F/M/M 3/8 X 3/8 X 1/4 BSP	1
37	03.028.01	RESTRICTOR 3/8"X 3/8"BSP 1.27	1
40	05.116.02	BANJO BODY 1/2" X 3/8"BSP	1
41	05.463.01	BANJO BOLT 1/2"BSP PLATED	1
42	05.290.05	BONDED SEAL 1/2"BSP	2

\*MAIN PART IN GROUP, RELATED PARTS HAVE SAME REFERENCE NUMBER

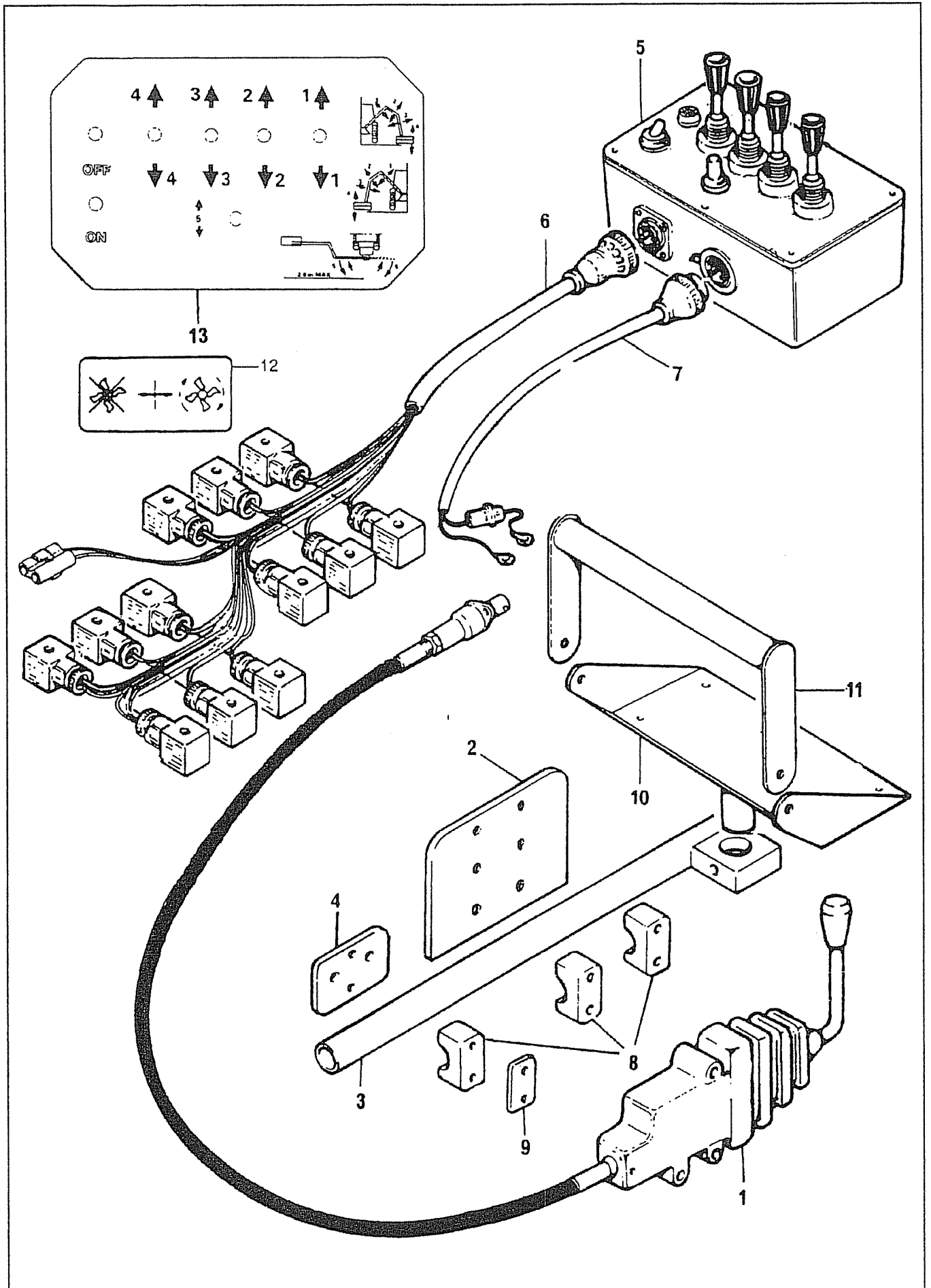


REF	PART NO	DESCRIPTION	QTY
<b>72.635.01/72.166.01 REMOTE CONTROL ASSY CABLE</b>			
*01	04.265.05	REMOTE CONTROL ASSY-1BANK 2.0M	5
01	04.265.07	CABLE ASSY 2.0M	-
01	04.265.08	LEVER ASSY	-
01	04.265.11	BUSH	-
01	04.265.19	SPRING COVER	-
01	04.265.28	PIN	-
01	04.265.38	LEVER	-
01	05.948.07	WING NUT M8 - PLATED	3
*02	04.282.43	STUD M8 X 240 PLATED	3
02	05.281.01	FLAT WASHER 8MM PLATED1	3
02	05.286.01	NUT M8 PLATED	3
02	05.625.01	SCKT CAPSCRW 3/8"UNC X 1.3/4"PLT	10
*03	04.265.35 †	REMOTE CONTROL ASSY-1 BANK 2.5M	1
03	04.265.33 †	CABLE ASSY 2.5M	-
04	08.760.02	DECAL - ARM CONTROL	1
05	07.114.02	SOLENOID VALVE CONNECTOR	-
05	07.835.03	SCREW FOR HIRSCHMANN CONNECTOR	1
06	07.114.05	2 POLE IN-LINE CABLE PLUG	-
07	07.114.07	SPIRAL CABLE-WRAP 360MM	-
08	07.835.02	GASKET FOR HIRSCHMAN CONNECTOR	1
08	08.761.01	WIRE LOOM	1
*09	08.761.21	SWITCH - 2 BUTTON	-
09	08.761.22	SWITCH BEZEL	-
09	08.761.23	SWITCH BUTTON RED	-
04	08.761.24	SWITCH BUTTON BLUE	-
10	06.616.01 )	CABLE ASSY - 2 CORE X5.5M	1
*10	30.211.02 )	CABLE CONTROL HEAD	1
11	06.616.02 )	FUSE - 15A IN-LINE	-
12	06.820.02 )	DECAL-ROTOR SHAFT CONTROL	1
13	08.872.01 ) NI	BRACKET-LEVER MOUNTING	1
14	30.210.59 )	SLEEVE PVC 22 X 3 X 20 YELLOW	1
15	05.836.26 )	PAN HD SCREW 1/4"UNCX3/4"PLTD	2
15	30.217.25 )	CABLE SLEEVE CASTING KONTAK10	1
15	30.224.14 )	FLANGE	1

† = Item 3 B80XM only (not illustrated)

NI = Parts not illustrated

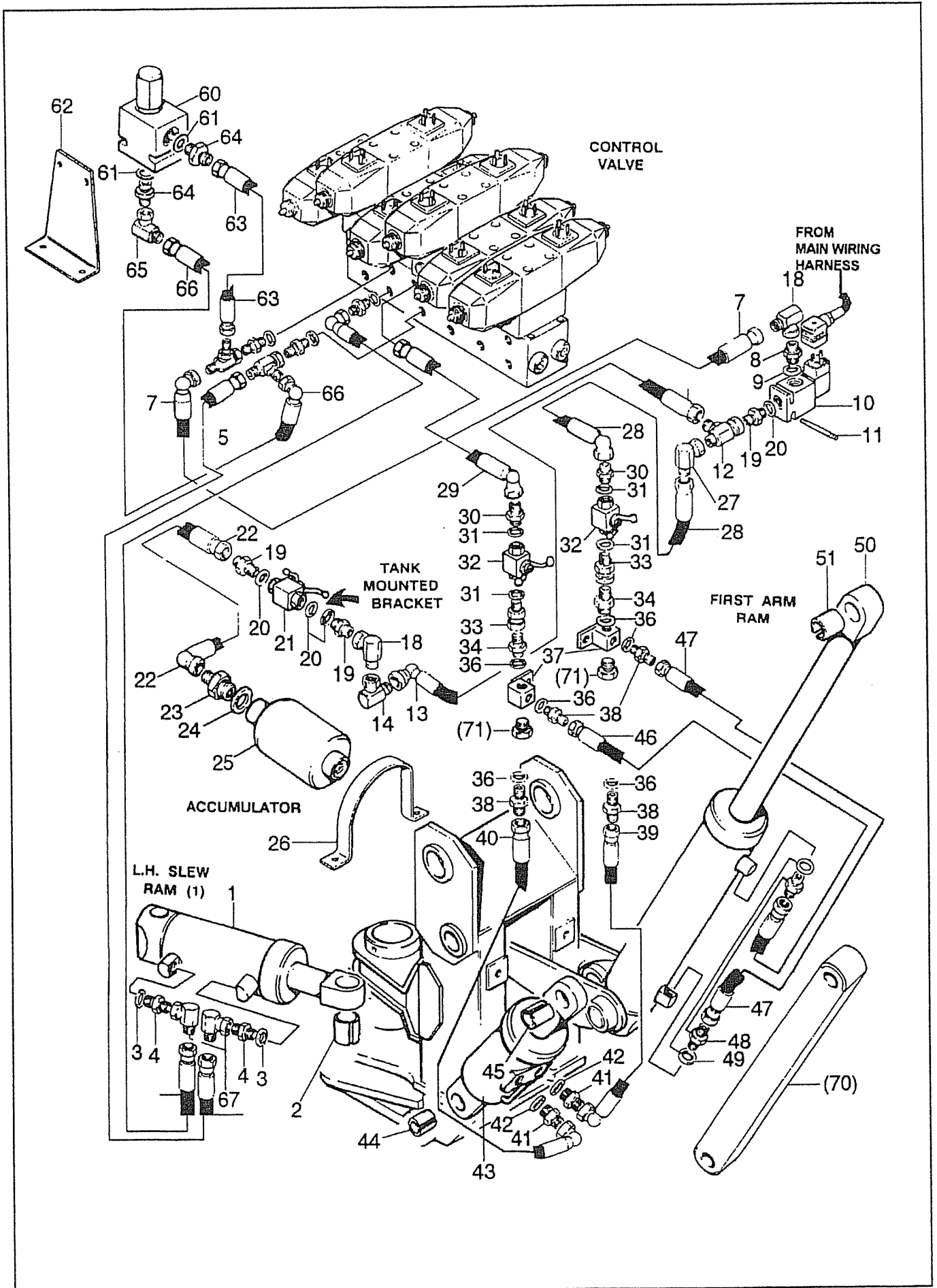
\*MAIN PART IN GROUP, RELATED PARTS HAVE SAME REFERENCE NUMBER





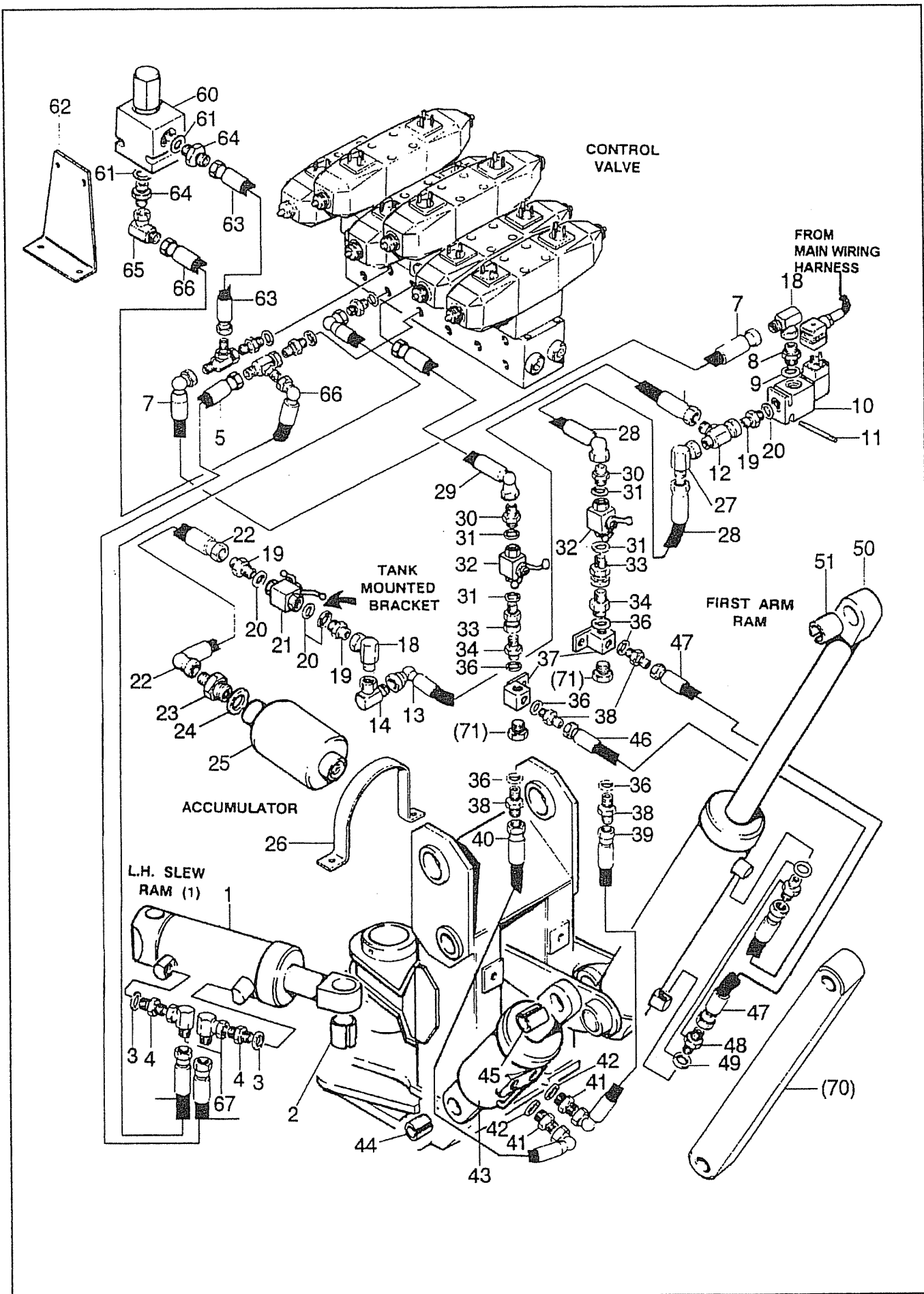
REF	PART NO	DESCRIPTION	QTY
<b>72.165.02 REMOTE CONTROL ASSEMBLY (ELECTRIC)</b>			
*01	04.265.35	REMOTE CONTROL ASSY-1BANK 2.5M	1
01	04.265.08	LEVER ASSY	-
01	04.265.11	BUSH	-
01	04.265.19	SPRING COVER	-
01	04.265.24	USE 04.265.38 LEVER	-
01	04.265.28	PIN	-
01	04.265.33	CABLE ASSY 2.5M	-
*02	08.317.01	PLATE - CONTROL BOX	1
02	05.281.01	FLAT WASHER 8MM PLATED	2
02	05.282.01	SPRING WASHER 8MM PLATED	2
02	05.948.07	WING NUT M8 - PLATED	2
*03	08.318.01	TUBE - CONTROL BOX MOUNTING	1
03	05.264.12	SETSCREW M10 X 25MM PLATED	1
*04	08.321.01	PLATE - LEVER MOUNTING	1
04	05.281.01	FLAT WASHER 8MM PLATED	2
04	05.282.01	SPRING WASHER 8MM PLATED	2
04	05.291.07	BOLT M8 X 60MM PLATED	2
04	05.948.07	WING NUT M8 - PLATED	2
*05	09.137.06	CONTROL BOX-4 JOYSTICK (IP65)	1
05	05.282.09	SPRING WASHER 5MM PLATED	4
05	05.286.09	NUT M5 PLATED	4
05	08.691.01	DECAL - 4 JOYSTICK	-
*06	08.544.01	WIRING HARNESS	1
06	07.835.02	GASKET FOR HIRSCHMAN CONNECTOR	12
06	07.835.03	SCREW FOR HIRSCHMANN CONNECTOR	12
*07	06.616.01	CABLE ASSY - 2 CORE X5.5M	1
07	06.616.02	FUSE - 15A IN-LINE	-
08	30.068.90	BOLT M6 X 55 MM 8.8 GRADE Z/P.	4
08	30.070.64	NUT NYLOC M6.Z/P.	4
08	30.209.71	CLAMP SINGLE 1"	6
*09	30.209.73	COVER PLATE	3
09	30.068.88	BOLT M6 X 45 MM 8.8 GRADE Z/P.	2
10	09.324.01	PLATE-CONTROL BOX MOUNTING	1
*11	08.320.02	ARM REST - 257 LONG	1
11	05.839.05	SETSCREW M6 X 16MM PLATED	2
11	30.070.64	NUT NYLOC M6.Z/P.	2

\*MAIN PART IN GROUP, RELATED PARTS HAVE SAME REFERENCE NUMBER



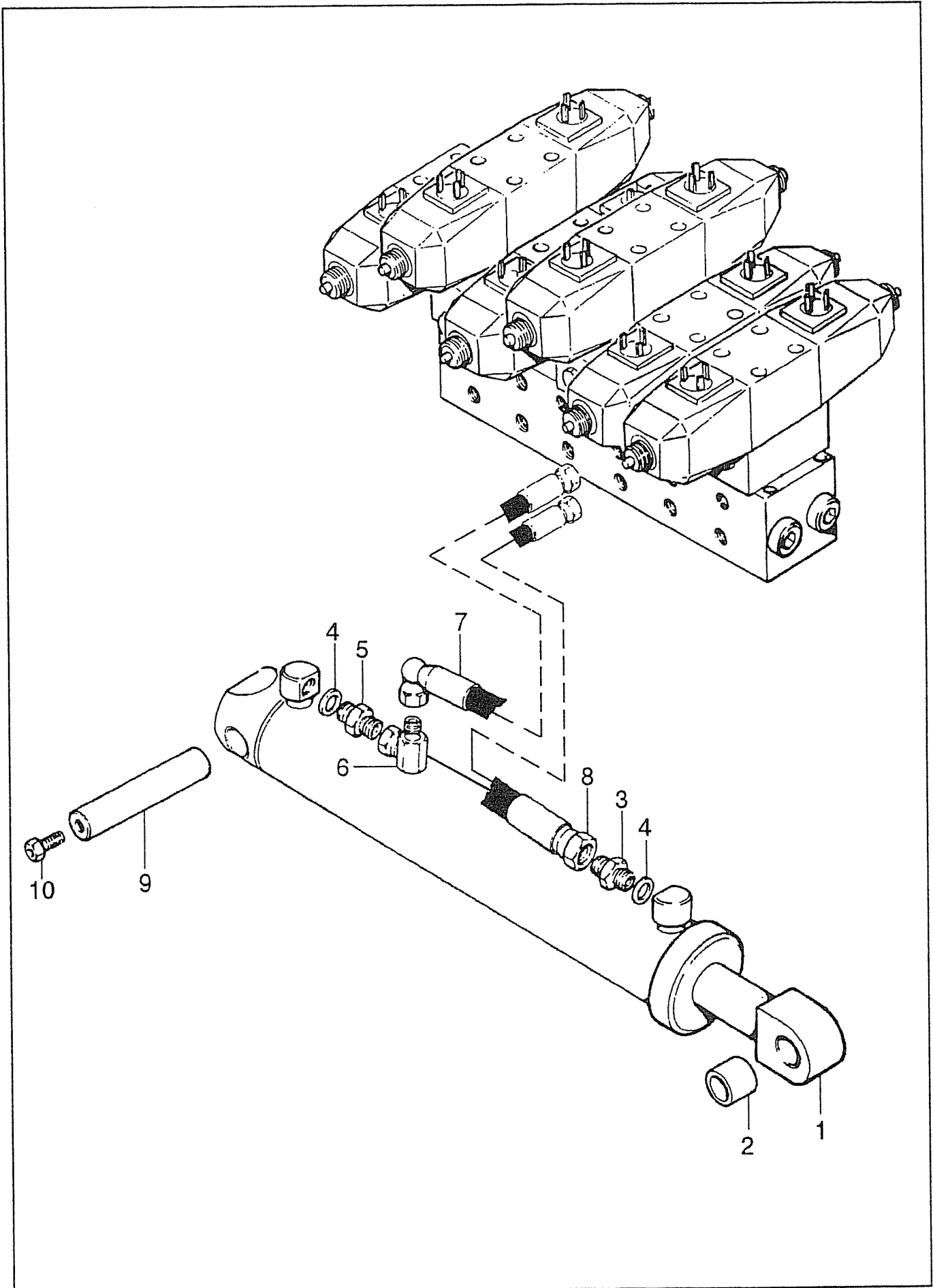
REF	PART NO	DESCRIPTION	QTY
<b>72.169.02/72.201.01 FIRST/SLEW RAM CIRCUIT</b>			
*01	08.556.05	HYDRAULIC RAM 90 BORE 703 STRK	1
01	05.953.01	GREASE NIPPLE M6	1
02	02.771.03	TENSION BUSH 45 X 40 X 50	1
03	05.290.04	BONDED SEAL 3/8"BSP	2
04	03.028.16	RESTRICTOR 3/8 X 1/4"BSP 1.00MM	2
05	10.002.23	HOSE 1/4"BSP ST X 90 S.SEAL 1300	1
06	10.001.24	HOSE 1/4"BSP ST X ST S.SEAL 1400	1
07	10.004.14	HOSE 3/8"BSP ST X 90 S.SEAL 700	1
08	05.124.01	ADAPTOR 3/8" BSP X 3/8" BSP	2
09	05.290.04	BONDED SEAL 3/8"BSP	2
*10	08.619.01	MODULAR SOLENOID VALVE ASSY	1
10	08.619.02	SEAL KIT-2 PORT MOD. VALVES	-
10	08.619.20	SOLENOID	-
10	08.619.23	NUT - SOLENOID RETAINING	-
*11	04.282.58	STUD - M6 X 70	2
11	05.281.10	FLAT WASHER 6MM PLATED	2
11	30.070.64	NUT NYLOC M6.Z/P.	2
12	11.068.69	ADAPTOR-TEE 3/8F-3/8M+3/8M	1
13	10.004.06	HOSE 3/8"BSP ST X 90 S.SEAL 300	1
14	05.835.01	ADAPTOR-SWIVEL 90 3/8"BSP M/F	1
18	05.835.01	ADAPTOR-SWIVEL 90 3/8"BSP M/F	2
19	05.124.01	ADAPTOR 3/8" BSP X 3/8" BSP	2
20	05.290.04	BONDED SEAL 3/8"BSP	3
21	08.200.01	VALVE - ISOLATING 3/8" BSP	1
22	10.004.14	HOSE 3/8"BSP ST X 90 S.SEAL 700	1
23	05.128.01	ADAPTOR 3/4" BSP X 3/8" BSP	1
24	05.290.06	BONDED SEAL 3/4"BSP	1
25	30.065.76	ACC HC.100/1A CAP 1 LTR 650PSI	1
*26	30.028.01	STRAP,ACCUMULATOR	1
26	04.282.42	STUD M10 X 40MM PLATED	2
26	05.281.02	FLAT WASHER 10MM PLATED FORM C	2
26	05.282.02	SPRING WASHER 10MM PLATED	2
26	05.286.02	NUT M10 PLATED	2
27	05.835.01	ADAPTOR-SWIVEL 90 3/8"BSP M/F	1
28	10.004.18	HOSE 3/8"BSP ST X 90 S.SEAL 900	1
29	10.004.18	HOSE 3/8"BSP ST X 90 S.SEAL 900	1
30	05.124.01	ADAPTOR 3/8" BSP X 3/8" BSP	2
31	05.290.04	BONDED SEAL 3/8"BSP	4
32	08.200.01	VALVE - ISOLATING 3/8" BSP	2
33	02.714.01	ADAPTOR-SWIVEL ST 3/8BSP M/F	2
34	05.124.01	ADAPTOR 3/8" BSP X 3/8" BSP	1
35	03.028.01	RESTRICTOR 3/8"X 3/8"BSP 1.27	1
36	05.290.04	BONDED SEAL 3/8"BSP	6
37	07.636.02	BLOCK-DISTRIBUTION 3 PORT	2
38	05.124.01	ADAPTOR 3/8" BSP X 3/8" BSP	4
39	05.991.08	HOSE 3/8" BSP X 400 90 X ST	1
40	05.991.08	HOSE 3/8" BSP X 400 90 X ST	1

\*MAIN PART IN GROUP, RELATED PARTS HAVE SAME REFERENCE NUMBER



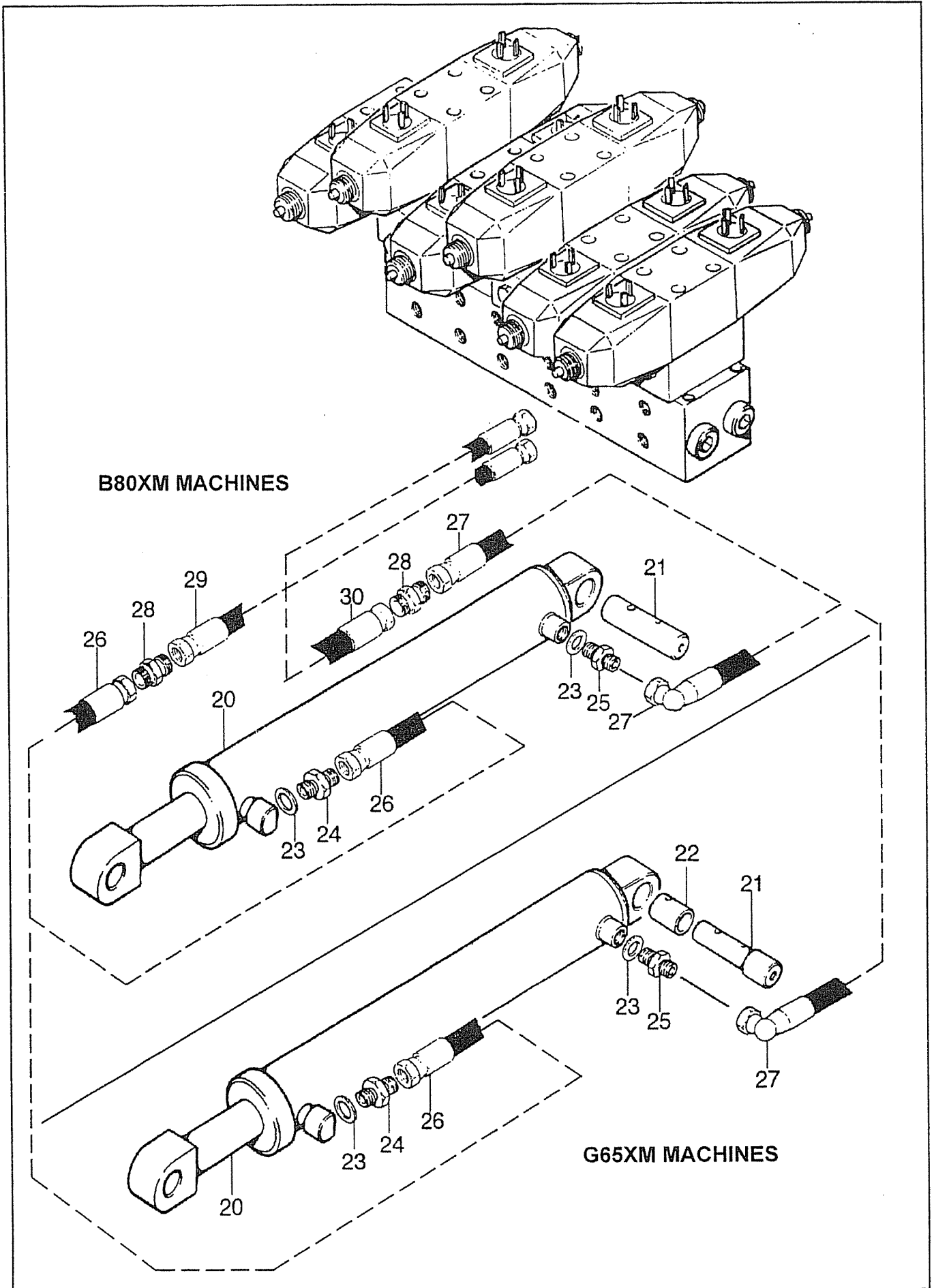
REF	PART NO	DESCRIPTION	QTY
72.169.02 FIRST/SLEW RAM CIRCUIT .... cont'd			
41	05.124.01	ADAPTOR 3/8" BSP X 3/8" BSP	4
42	05.290.04	BONDED SEAL 3/8" BSP	4
43	08.557.01	HYDRAULIC RAM 100 BORE 175 STR	1
44	02.771.11	TENSION BUSH 45 X 40 X 40	1
45	02.771.03	TENSION BUSH 45 X 40 X 50	1
46	10.003.19	HOSE 3/8"BSP ST X ST S.SEAL 950	1
47	10.003.11	HOSE 3/8"BSP ST X ST S.SEAL 550	1
48	05.124.01	ADAPTOR 3/8" BSP X 3/8" BSP	2
49	05.290.04	BONDED SEAL 3/8"BSP	2
50	08.556.04	HYDRAULIC RAM 90 BORE 214 STRK	1
51	02.771.03	TENSION BUSH 45 X 40 X 50	1
60	08.619.03	MODULAR RELIEF VALVE ASSY 137B	1
61	05.290.04	BONDED SEAL 3/8"BSP	2
*62	09.247.01	BRACKET - VALVE	1
62	04.282.58	STUD - M6 X 70	2
62	05.281.10	FLAT WASHER 6MM PLATED	2
62	30.070.64	NUT NYLOC M6.Z/P.	4
63	10.001.05	HOSE 1/4"BSP ST X ST S.SEAL 250	1
64	01.099.01	ADAPTOR. 3/8BSP X 1/4BSP	1
65	05.835.04	ADAPTOR - SWIVEL 90 1/4"BSP MF	1
66	10.002.09	HOSE 1/4"BSP ST X 90 S.SEAL 450	1
67	05.835.04	ADAPTOR - SWIVEL 90 1/4"BSP MF	2
70	08.715.01	LINK	1
71	05.433.01	PLUG 3/8"BSP PLATED	2

\*MAIN PART IN GROUP, RELATED PARTS HAVE SAME REFERENCE NUMBER



REF	PART NO	DESCRIPTION	QTY
<b>72.170.01 SECOND RAM CIRCUIT</b>			
*01	08.556.05	HYDRAULIC RAM 90 BORE 703 STRK	1
01	08.556.03	SEAL KIT - 90 BORE RAM	-
02	02.771.03	TENSION BUSH 45 X 40 X 50	1
03	01.099.01	ADAPTOR 3/8BSP X 1/4BSP	1
04	05.290.04	BONDED SEAL 3/8"BSP	2
05	03.028.08	RESTRICTOR 3/8" X 1/4"BSP 1.27	1
06	05.835.04	ADAPTOR - SWIVEL 90 1/4"BSP MF	1
07	10.002.29	HOSE 1/4"BSP ST X 90 S.SEAL 1900	1
08	10.001.36	HOSE 1/4"BSP ST X ST S.SEAL 2600	1
*09	03.656.51	PIN - DIA 40 X 175	1
09	05.282.02	SPRING WASHER 10MM PLATED	1
09	05.286.02	NUT M10 PLATED	1
09	05.292.11	BOLT M10 X 80MM PLATED	1
*10	03.068.01	SPECIAL SETSCREW M12 X 25	1
10	05.282.03	SPRING WASHER 12MM PLATED	1
10	05.953.01	GREASE NIPPLE M6	1

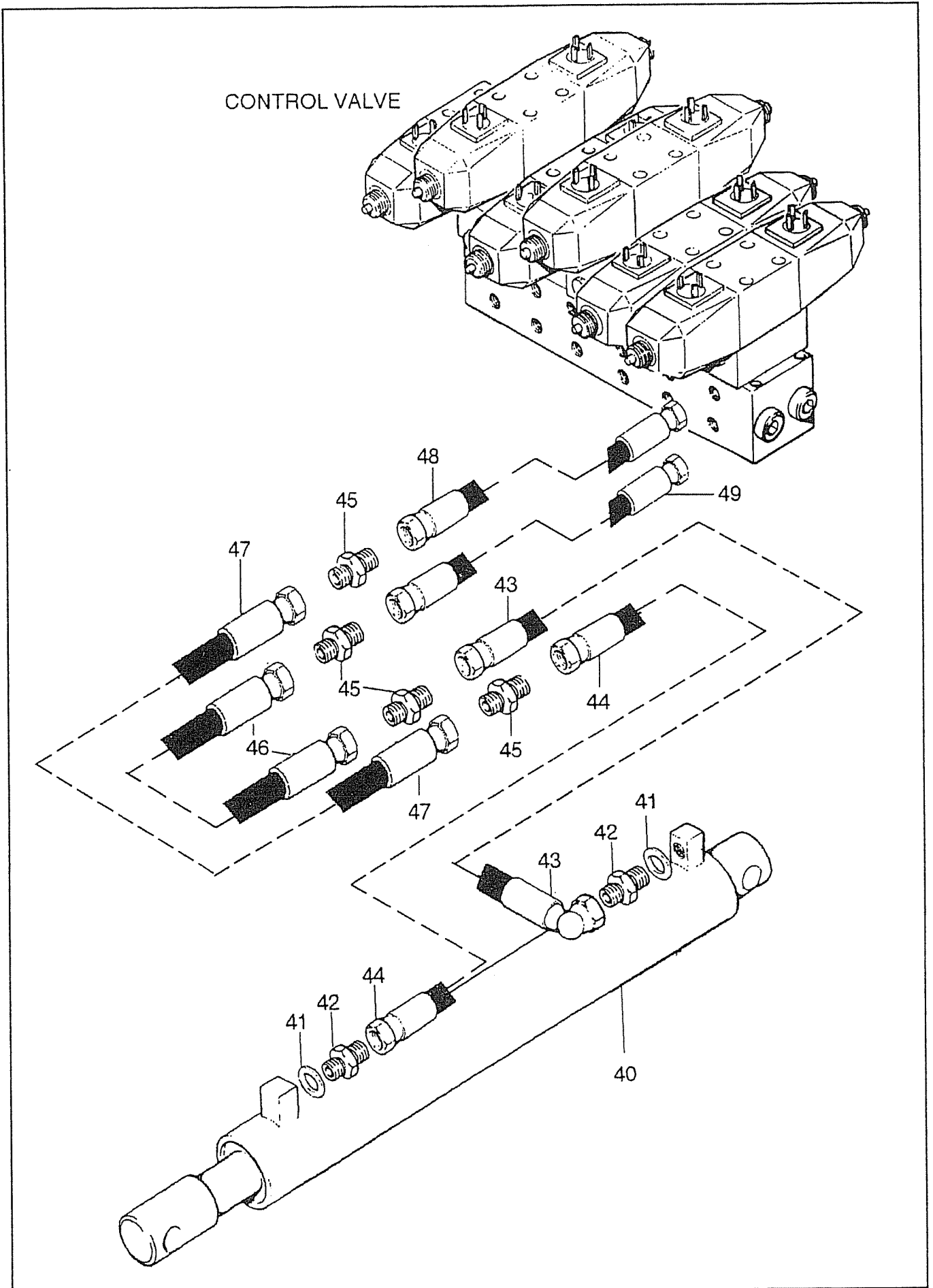
\*MAIN PART IN GROUP, RELATED PARTS HAVE SAME REFERENCE NUMBER





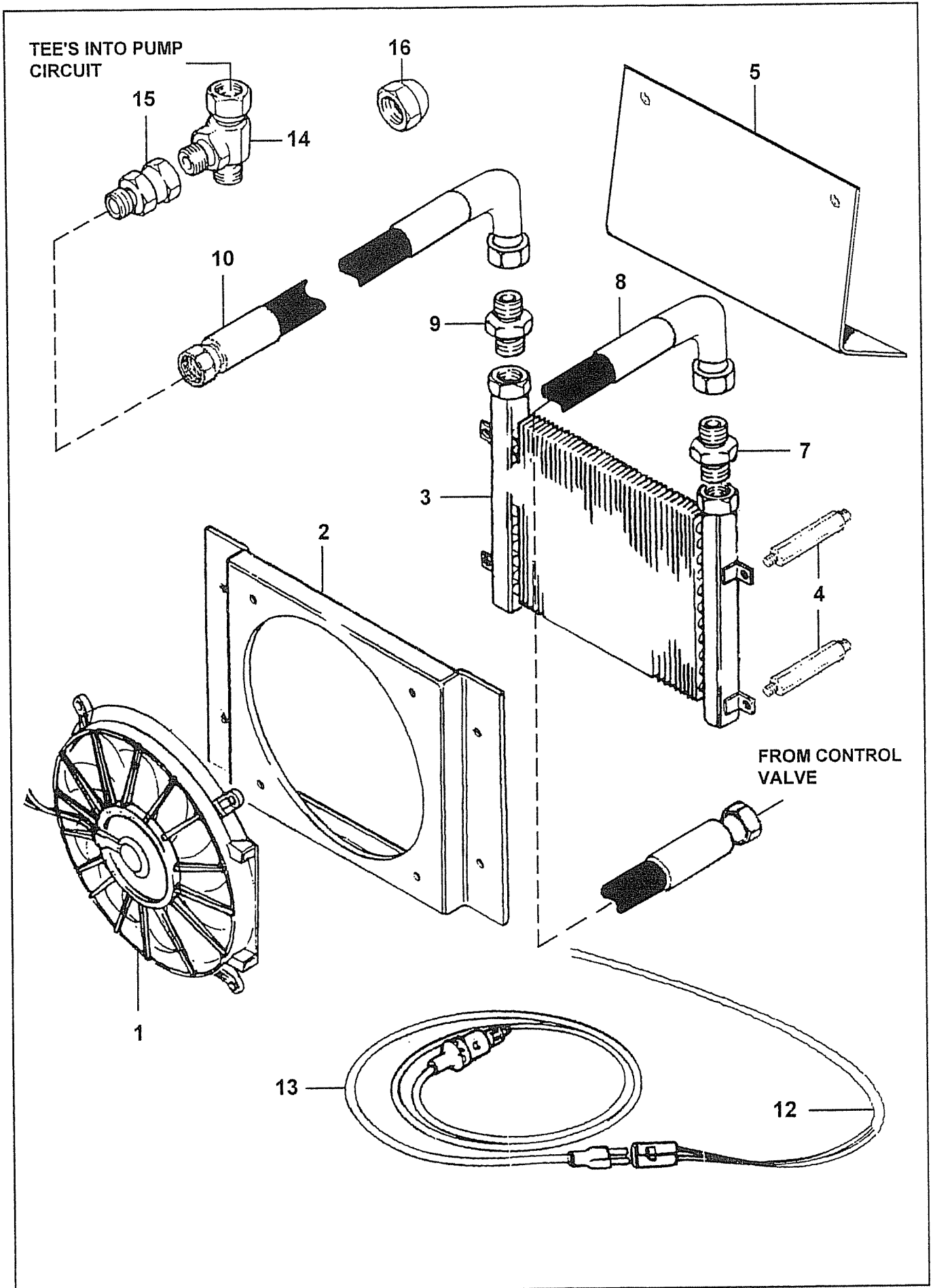
REF	PART NO	DESCRIPTION	QTY
<b>72.208.01 B80XM THIRD RAM</b>			
*20	08.730.01	RAM ASSY D/A 80 BORE X 645	1
20	05.953.01	GREASE NIPPLE M6	1
*21	03.655.18	PIN DIA 35 X 144	1
21	05.201.10	TENSION PIN 10MM X 60MM PLATED	2
21	02.771.04	TENSION BUSH 40 X 35 X 40	1
23	05.290.04	BONDED SEAL 3/8"BSP	1
24	05.129.01	ADAPTOR 1/4 BSP X 1/4 BSP	1
25	03.028.08	RESTRICTOR 3/8" X 1/4"BSP 1.27	1
<b>72.209.01 B65XM THIRD RAM</b>			
20	04.156.13	SEAL KIT (04156 D/A RAMS)	-
*20	04.156.22	RAM ASSY-D/A 60MM BORE X 645MM	1
*21	03.655.19	PIN DIA 35 X 144 STEPPED	1
21	05.201.10	TENSION PIN 10MMX60MM PLATED	1
21	05.953.01	GREASE NIPPLE M6*	1
22	08.729.01	REDUCING COLLAR	1
23	05.290.04	BONDED SEAL 3/8"BSP	2
24	03.028.16	RESTRICTOR 3/8X1/4"BSP 1.00MM	1
25	03.028.08	RESTRICTOR 3/8" X 1/4"BSP 1.27	1
<b>72.172.01 THIRD RAM CIRCUIT B80/65XM</b>			
26	10.001.29	HOSE 1/4"BSP ST X ST S.SEAL 1900	1
27	10.002.23	HOSE 1/4"BSP ST X 90 S.SEAL 1300	1
28	05.129.01	ADAPTOR 1/4 BSP X 1/4 BSP	2
29	10.001.46	HOSE 1/4"BSP ST X ST S.SEAL 3600	1
30	10.001.46	HOSE 1/4"BSP ST X ST S.SEAL 3600	1

\*MAIN PART IN GROUP, RELATED PARTS HAVE SAME REFERENCE NUMBER



REF	PART NO	DESCRIPTION	QTY
<b>72.205.01 B80XM COWL RAM CIRCUIT</b>			
*40	04.156.24	RAM ASSY-D/A 60MM BORE X 430MM	1
40	04.156.13	SEAL KIT (04156 D/A RAMS)	-
40	05.201.11	TENSION PIN 5MM X 45MM PLATED	1
41	05.290.04	BONDED SEAL 3/8"BSP	2
42	03.028.08	RESTRICTOR 3/8" X 1/4"BSP 1.27	2
43	10.002.36	HOSE 1/4"BSP STX90 S.SEAL 2600	1
44	10.001.36	HOSE 1/4"BSP STXST S.SEAL 2600	1
<b>72.204.01 B65XM COWL RAM CIRCUIT</b>			
*40	04.156.24	RAM ASSY-D/A 60MM BORE X 430MM	1
40	04.156.13	SEAL KIT (04156 D/A RAMS)	-
41	05.290.04	BONDED SEAL 3/8"BSP	2
42	03.028.08	RESTRICTOR 3/8" X 1/4"BSP 1.27	2
43	10.002.25	HOSE 1/4"BSP STX90 S.SEAL 1500	1
44	10.001.25	HOSE 1/4"BSP STXST S.SEAL 1500	1
<b>72.174.01 B80/65XM COWL RAM CIRCUIT</b>			
45	05.129.01	ADAPTOR 1/4 BSP X 1/4 BSP	4
46	10.001.27	HOSE 1/4"BSP ST X ST S.SEAL 1700	1
47	10.001.27	HOSE 1/4"BSP ST X ST S.SEAL 1700	1
48	10.001.46	HOSE 1/4"BSP ST X ST S.SEAL 3600	1
49	10.001.46	HOSE 1/4"BSP ST X ST S.SEAL 3600	1

\*MAIN PART IN GROUP, RELATED PARTS HAVE SAME REFERENCE NUMBER

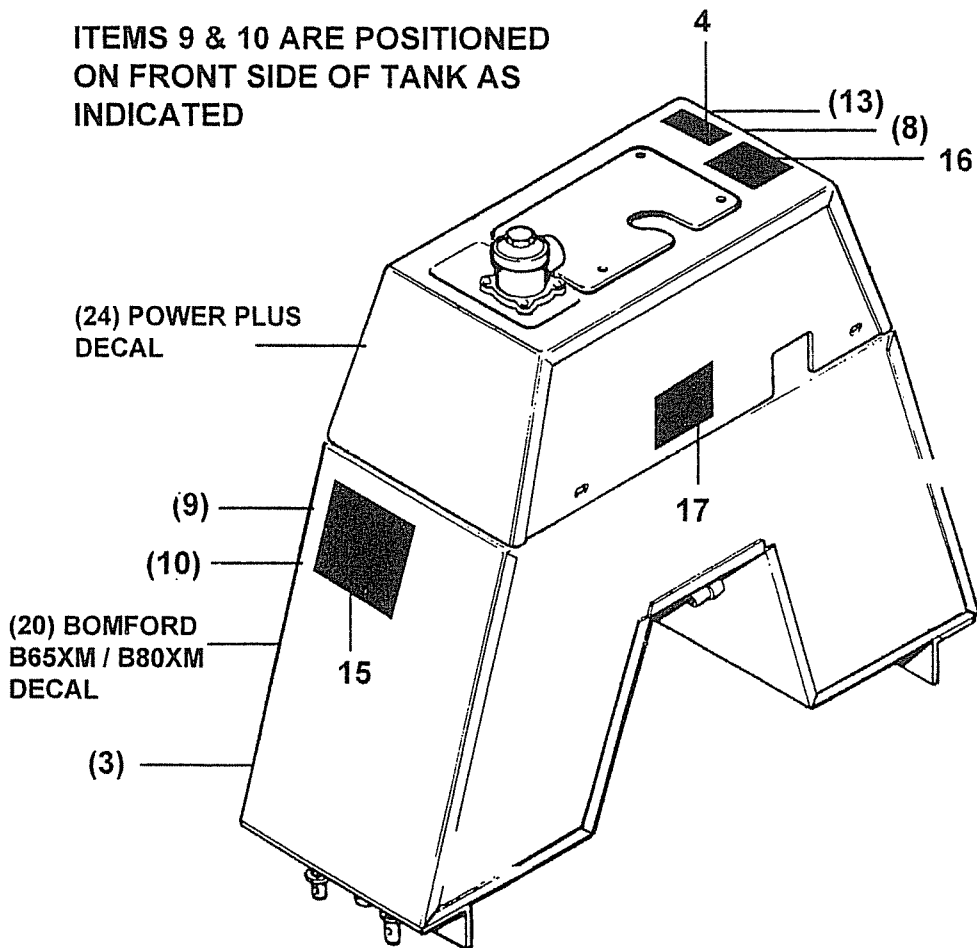


REF	PART NO	DESCRIPTION	QTY
<b>72.579.03 OIL COOLER ASSEMBLY</b>			
01	09.901.01	FAN - 12V ELECTRIC	1
*02	09.900.01	BRACKET - OIL COOLER	1
02	05.264.02	SETSCREW M8 X 25MM PLATED	4
02	05.287.01	SELF-LOCKING NUT M8 PLATED	4
03	08.156.01	POLY.STRIP SELF ADH.16 X 6 X 1650	1
03	09.433.01	OIL COOLER - 370 X 305	1
*04	09.435.01	SPACER - 100 X M12 PLATED	4
04	05.287.03	SELF-LOCKING NUT M12 PLATED	8
05	09.441.01	BRACKET - OIL COOLER	1
07	09.436.01	ADAPTOR - 1"NPT X 3/8"BSP M/M	1
08	10.004.26	HOSE 3/8"BSP ST X 90 S.SEAL 1600	1
09	09.436.02	ADAPTOR - 1"NPT X 3/4"BSP M/M	1
10	10.010.23	HOSE 3/4"BSP ST X 90 S.SEAL 1300	1
12	09.442.01	WIRE LOOM	1
13	08.987.02	CABLE ASSY - 5.5M 10 AMP	1
13	08.987.03	FUSE - 10A CONTI . 20A BLOW	-
14	04.056.02	ADAPTOR-SWIVEL TEE 1"BSP F/M/M	1
15	02.714.05	ADAPTOR STR.SWIVEL 1"BSP X 3/4"BSP F/M	1
16	07.082.01	BLANKING CAP 3/8"BSP	1
17	05.835.03	ADAPTOR-SWIVEL 90 3/4"BSP M/F	1

\*MAIN PART IN GROUP, RELATED PARTS HAVE SAME REFERENCE NUMBER

ITEMS 13 & 8 ARE POSITIONED  
ON SIDE OF TANK AS  
INDICATED

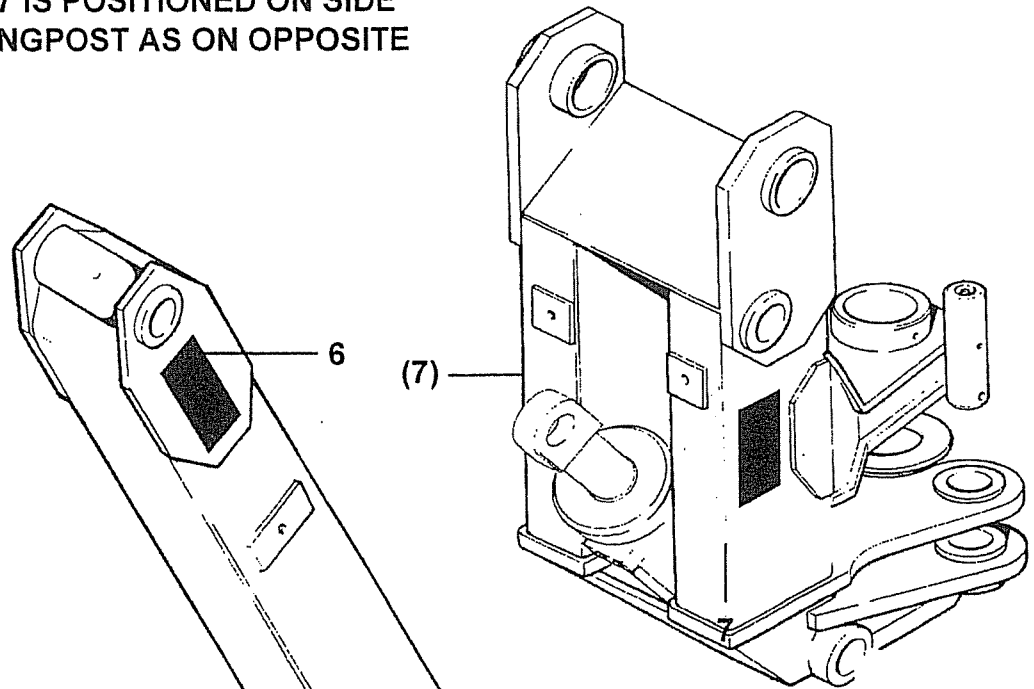
ITEMS 9 & 10 ARE POSITIONED  
ON FRONT SIDE OF TANK AS  
INDICATED



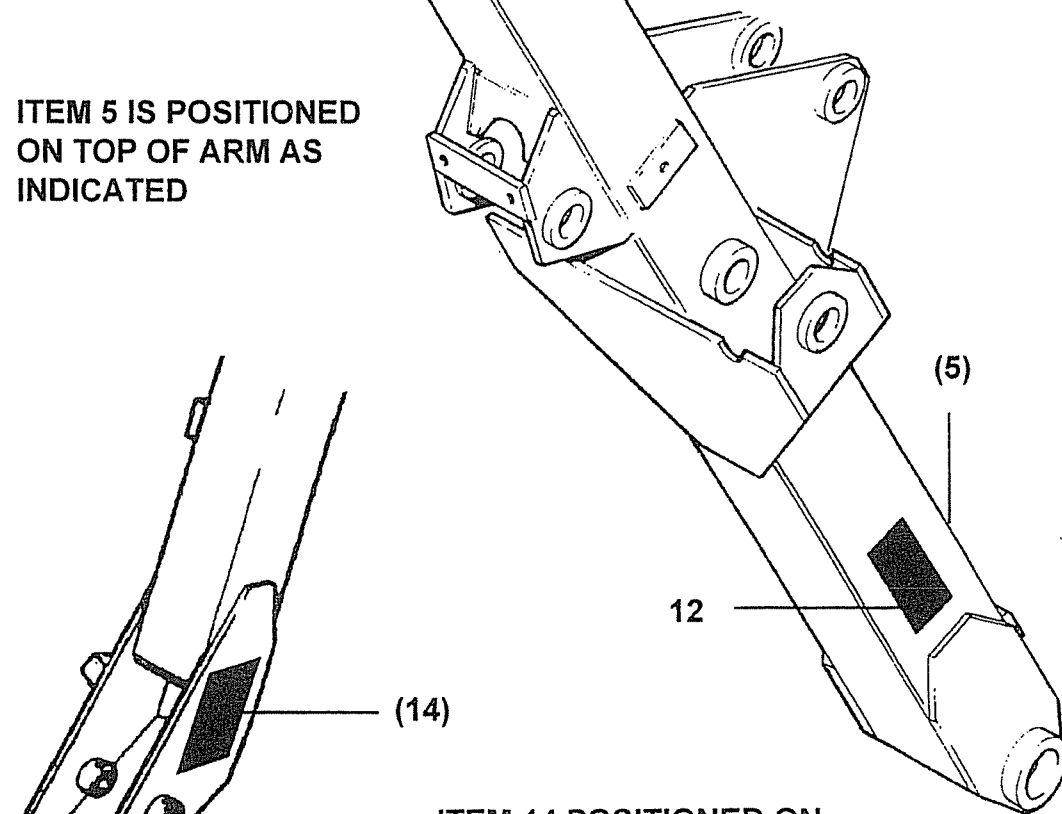
ITEM 3 POSITIONED  
ON FRONT OF TANK  
NEAR THE PTO SHAFT

REF	PART NO	DESCRIPTION	QTY
<b>74.914.01 DECALS</b>			
01	08.632.01	DECAL - TRANSPORT	2
02	09.030.01	DECAL - OIL FILTER	1
03	09.811.04	DECAL - MAX PTO SPEED 540 ACW	1
04	09.821.01	DECAL - READ INSTRUCTION BOOK	1
05	09.821.02	DECAL - STAY CLEAR O'HD CABLES	1
06	09.821.03	DECAL - DON'T STAND UNDER ARMS	1
07	09.821.06	DECAL - SLEW DANGER	2
08	09.821.07	DECAL - RESIDUAL PRESSURE	1
09	09.821.09	DECAL - HOT SURFACE	1
10	09.821.10	DECAL - KEEP NUTS TIGHT	1
11	09.821.11	DECAL - ARMS HIT CAB (SIDE)	1
12	09.821.12	DECAL - ARMS HIT CAB (REAR)	2
13	09.821.16	DECAL - KEEP OUT ZONE	1
14	09.821.23	DECAL - PINCH POINT	2
15	09.845.01	DECAL - APPROVED OILS	1
16	09.846.01	DECAL - OIL FILTER CHANGE	1
17	09.852.01	DECAL - ARM FLOAT	1
<b>72.189.02 DECALS - B80XM BASE LH</b>			
20	08.728.08	DECAL - BOMFORD B80XM	1
21	08.728.15	DECAL BOMFORD BASE LH	1
21	08.728.16	DECAL BOMFORD BASE RH	1
22	09.810.01	DECAL-GREASE (8 HOURS)	19
23	09.843.07	DECAL - LIFT POINT 2000 KG	2
24	41582.01	DECAL - POWER PLUS	1
<b>72.625.02 DECALS - GT80XM RH</b>			
20	08.728.08	DECAL - BOMFORD B80XM	1
21	08.728.16	DECAL BOMFORD BASE RH	1
22	09.810.01	DECAL-GREASE (8 HOURS)	19
23	09.843.07	DECAL - LIFT POINT 2000 KG	2
24	41582.01	DECAL - POWER PLUS	1
25	07.256.01	DECAL - GT	1
<b>72.625.03 DECALS - GT65XM RH</b>			
20	08.728.02	DECAL - BOMFORD B65XM	1
21	08.728.16	DECAL BOMFORD BASE RH	1
22	09.810.01	DECAL-GREASE (8 HOURS)	19
23	09.843.07	DECAL - LIFT POINT 2000 KG	2
24	41582.01	DECAL - POWER PLUS	1
25	07.256.01	DECAL - GT	1

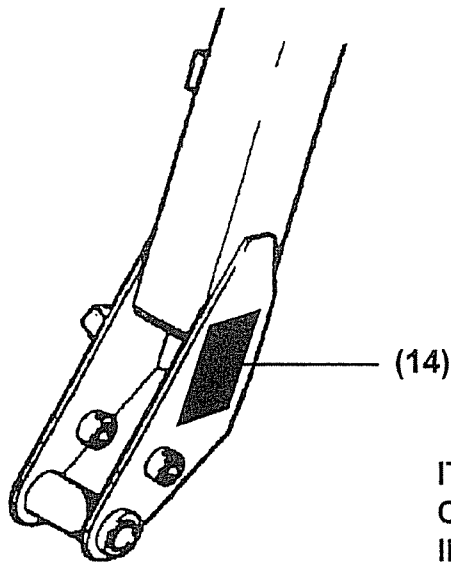
ITEM 7 IS POSITIONED ON SIDE  
OF KINGPOST AS ON OPPOSITE  
SIDE



ITEM 5 IS POSITIONED  
ON TOP OF ARM AS  
INDICATED



ITEM 14 POSITIONED ON  
OPPOSITE SIDE AS  
INDICATED





REF	PART NO	DESCRIPTION	QTY
<b>74.914.01 DECALS</b>			
01	08.632.01	DECAL - TRANSPORT	2
02	09.030.01	DECAL - OIL FILTER	1
03	09.811.04	DECAL - MAX PTO SPEED 540 ACW	1
04	09.821.01	DECAL - READ INSTRUCTION BOOK	1
05	09.821.02	DECAL - STAY CLEAR O'HD CABLES	1
06	09.821.03	DECAL - DON'T STAND UNDER ARMS	1
07	09.821.06	DECAL - SLEW DANGER	2
08	09.821.07	DECAL - RESIDUAL PRESSURE	1
09	09.821.09	DECAL - HOT SURFACE	1
10	09.821.10	DECAL - KEEP NUTS TIGHT	1
11	09.821.11	DECAL - ARMS HIT CAB (SIDE)	1
12	09.821.12	DECAL - ARMS HIT CAB (REAR)	2
13	09.821.16	DECAL - KEEP OUT ZONE	1
14	09.821.23	DECAL - PINCH POINT	2
15	09.845.01	DECAL - APPROVED OILS	1
16	09.846.01	DECAL - OIL FILTER CHANGE	1
17	09.852.01	DECAL - ARM FLOAT	1
<b>72.189.02 DECALS - B80XM BASE LH</b>			
20	08.728.08	DECAL - BOMFORD B80XM	1
21	08.728.15	DECAL BOMFORD BASE LH	1
21	08.728.16	DECAL BOMFORD BASE RH	1
22	09.810.01	DECAL-GREASE (8 HOURS)	19
23	09.843.07	DECAL - LIFT POINT 2000 KG	2
24	41582.01	DECAL - POWER PLUS	1
<b>72.625.02 DECALS - GT80XM RH</b>			
20	08.728.08	DECAL - BOMFORD B80XM	1
21	08.728.16	DECAL BOMFORD BASE RH	1
22	09.810.01	DECAL-GREASE (8 HOURS)	19
23	09.843.07	DECAL - LIFT POINT 2000 KG	2
24	41582.01	DECAL - POWER PLUS	1
25	07.256.01	DECAL - GT	1
<b>72.625.03 DECALS - GT65XM RH</b>			
20	08.728.02	DECAL - BOMFORD B65XM	1
21	08.728.16	DECAL BOMFORD BASE RH	1
22	09.810.01	DECAL-GREASE (8 HOURS)	19
23	09.843.07	DECAL - LIFT POINT 2000 KG	2
24	41582.01	DECAL - POWER PLUS	1
25	07.256.01	DECAL - GT	1