

PM1780

# **B608**

PARTS MANUAL

ISSUE 8

## IMPORTANT

NOTE HERE THE SERIAL NUMBER OF YOUR MACHINE AND ALWAYS QUOTE IT IN ANY COMMUNICATION WITH US OR YOUR DEALER. THIS IS PARTICULARLY IMPORTANT WHEN ORDERING SPARES. REMEMBER TO INCLUDE ALL NUMBERS AND LETTERS.

MACHINE SERIAL NUMBERS \_\_\_\_\_

THE INFORMATION GIVEN THROUGHOUT THIS MANUAL IS CORRECT AT THE TIME OF PUBLICATION. HOWEVER, IN THE COURSE OF CONSTANT DEVELOPMENT OF BOMFORD TURNER MACHINES, CHANGES IN SPECIFICATION ARE INEVITABLE. SHOULD YOU FIND THE INFORMATION GIVEN IN THIS BOOK TO BE AT VARIANCE WITH THE MACHINE IN YOUR POSSESSION, YOU ARE ADVISED TO CONTACT THE BOMFORD TURNER SERVICE DEPARTMENT WHERE UP-TO-DATE INFORMATION WILL BE PROVIDED.

THE MANUAL CAN CONTAIN STANDARD AND OPTIONAL FEATURES AND IS NOT TO BE USED AS A MACHINE SPECIFICATION.

THE MACHINE HAS BEEN TESTED AND IS CONSIDERED SAFE IF CAREFULLY USED. ENSURE YOUR OPERATOR IS PROPERLY TRAINED IN ITS USE AND MAINTENANCE.

---

## IMPORTANT

NOTEZ ICI LES NUMEROS DE SERIE DE VOTRE MACHINE ET MENTIONNEZ LES DANS TOUTE COMMUNICATION AVEC NOS SERVICES OU VOTRE REVENDEUR. CECI EST IMPORTANT POUR LA COMMANDE DE PIECES DETACHEES. PENSEZ A NOTER TOUS LES NUMEROS ET TOUTES LES LETTERS.

NUMEROS DE SERIE DE LA MACHINE \_\_\_\_\_

LES INFORMATIONS DONNEES DANS CE MANUEL SONT CORRECTES CEPENDANT, DU FAIT DE DEVELOPPEMENT CONSTANT DES MACHINES BOMFORD TURNER.

CHANGEMENTS DANS LES CARACTERISTIQUES SONT INEVITABLES.

SI VOUS TROUVEZ QUE LES INFORMATIONS DONNEES NE CORRESPONDENT PAS A VOTRE MACHINE VEUILLEZ CONTACTER LE SERVICE DES REPARATIONS OU DES INFORMATIONS PLUS RECENTES VOUS SERONT DONNEES. CE MANUEL PEUT MONTRER DES CARACTERISTIQUES OPTIONNELLES ET NE PEUT PAS ETRE CONSIDERE COMME SPECIFICATION DE LA MACHINE.

CETTE MACHINE A ETE TESTEE, ET ELLE EST CONSIDEREE COMME FIABLE A CONDITION D'UNE BONNE UTILISATION. ASSUREZ-VOUS QUE VOTRE OPERATEUR EST QUALIFIE EN CE QUI CONCERNE L'UTILISATION DE LA MACHINE AINSI QUE SON ENTRETIEN.

---

## WICHTIG

TRAGEN SIE HIER DIE SERIENNUMMERN IHRER MASCHINE EIN UND GEBEN SIE DIESE IMMER AN, WENN SIE SICH AN UNS ODER IHREN HÄNDLER WENDEN. DAS IST BESONDERS BEI ERSATZTEILBESTELLUNGEN WICHTIG. VERGESSEN SIE NICHT, ALLE ZAHLEN UND BUCHSTABEN ZU NOTIEREN.

SERIENNUMMERN DER MASCHINE \_\_\_\_\_

DIE ANGABEN IN DIESEM HANDBUCH SIND BEI VERÖFFENTLICHUNG KORREKT. AUFGRUND DER KONSTANTEN WEITERENTWICKLUNG VON BOMFORD TURNER MASCHINEN SIND JEDOCHÄNDERUGDEN IN DER SPEZIFIKATION UNVERMEIDLICH. WENN DIE INFORMATION IN DIESEM HANDBUCH NICHT MIT IHRER MASCHINE ÜBEREINSTIMMEN, NEHMEN SIE BITTE KONTAKT MIT DER BOMFORD TURNER KUNDENDIENSTABTEILUNG AUF, DIE IHNEN GERNE DIE AKTUELLEN INFORMATION ZUKOMMEN LÄSST.

DAS HANDBUCH KANN SOWOHL BESCHREIBUNGEN FÜR DIE STANDARD AUSFÜHRUNG ALS AUCH FÜR ZUBEHÖR ENTHALTEN UND IST NICHT ALS MASCHINENSPEZIFIKATION ZU VERWENDET.

DIE MASCHINE IST GETESTET UND BEI SACHGEMÄSSEM BETRIEB ALS SICHER BEFUNDEN WORDEN. SORGEN SIE DAFÜR, DASS IHR BEDIENPERSONAL IN ANWENDUNG UND WARTUNG RICHTIG GESCHULT WIRD.

**B608 MOWER**

**PAGE AND ILLUSTRATION NUMBERS ARE USED ONLY FOR REFERENCE PURPOSES AND SHOULD NOT BE USED FOR ORDERING SPARE PARTS. PLEASE ENSURE THE CORRECT PART NUMBER AND DESCRIPTION IS GIVEN WHEN ORDERING SPARE PARTS.**

**FOR MACHINES WITH SERIAL NUMBERS COMMENCING FROM .....1095J/98.....**

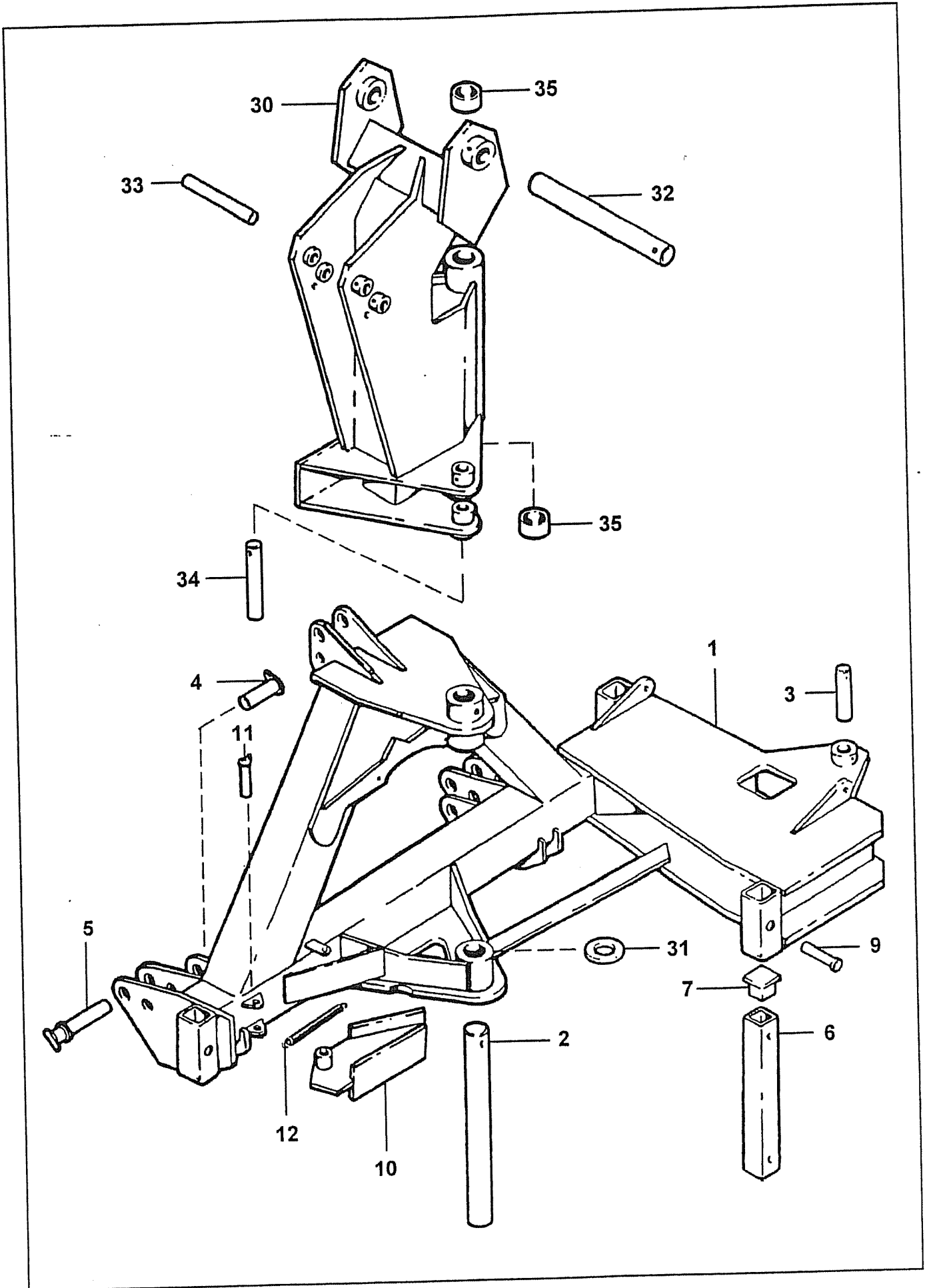
<b>PAGE NO.</b>	<b>TITLE</b>
2-1 TO 2-2	MAINFRAME - KINGPOST
3-1 TO 3-2	MOUNTING KITS
4-1 TO 4-2	TANK ASSEMBLY
5-1 TO 5-3	ARMS AND COWL BRACKET ASSEMBLIES
6-1 TO 6-3	PTO, GEARBOX AND PUMP CIRCUIT (Single Pump)
7-1 TO 7-3	PTO, GEARBOX AND PUMP CIRCUIT (Twin Pump)
8-1 TO 8-3	PTO, GEARBOX AND PUMP CIRCUIT (DSR)
9-1 TO 9-3	CONTROL VALVE - 3 SERVICE
10-2 TO 10-2	CONTROL VALVE - 4 SERVICE
11-1 TO 11-2	REMOTE CONTROL ASSEMBLIES - CABLE
12-1 TO 12-2	EPP II CONTROL VALVE - 3 SERVICE
13-1 TO 13-3	EPP II CONTROL VALVE - 4 SERVICE
14-1 TO 14-2	EPP II REMOTE CONTROL ASSY - 3 & 4 SERVICE
15-1 TO 15-2	EPP II REMOTE CONTROL CAB MOUNTING
16-1 TO 16-2	EPP II REMOTE CONTROL CAB SEAT MOUNTING
17-1 TO 17-2	RAM CIRCUITS - ARMS
18-1 TO 18-2	RAM CIRCUITS - BREAKOUT AND SLEW
19-1 TO 19-2	ACCUMULATOR KIT
20-1 TO 20-2	OIL COOLER ASSEMBLY
21-1 TO 21-4	DECALS

### IMPORTANT

THIS MACHINE IS FOR VEGETATION CONTROL AND  
MUST NOT BE USED FOR ANY OTHER PURPOSE

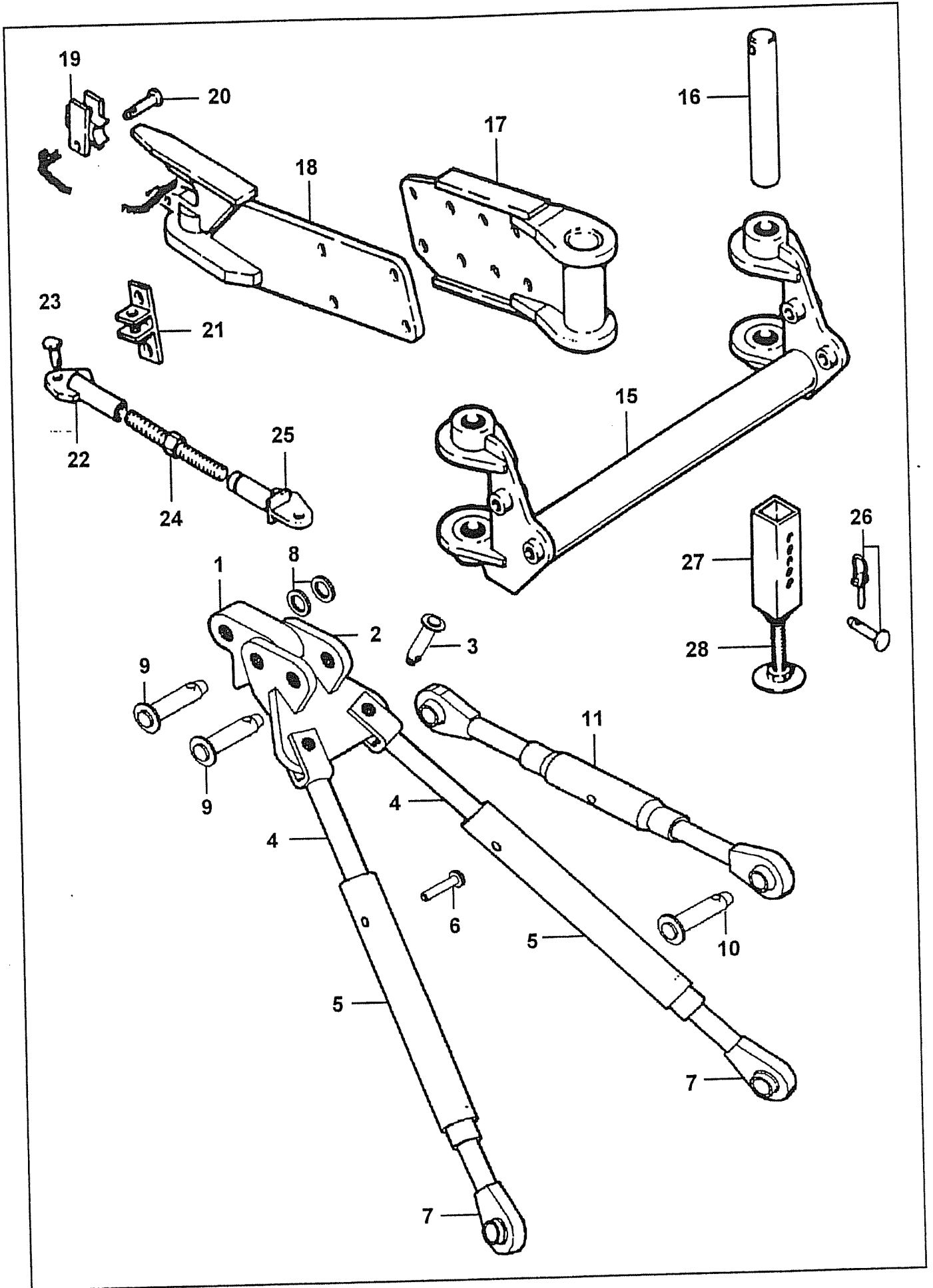
IT IS POTENTIALLY HAZARDOUS TO FIT OR USE  
ANY PARTS OTHER THAN GENUINE BOMFORD TURNER PARTS

THE COMPANY DISCLAIMS ALL LIABILITY FOR THE  
CONSEQUENCES OF SUCH USE, WHICH IN ADDITION  
VOIDS THE MACHINE WARRANTY



REF	PART NO	DESCRIPTION	QTY
<b>74.648.01/74.729.01 MAINFRAME ASSY LH/RH</b>			
01	05.227.01	HAMMER DRIVE SCREW NO.6 X 3/8"	2
01	05.774.06	SERIAL NO.PLA TE BOMFORD TURNER	1
*01	09.943.01	MAINFRAME LH.	1
01	09.943.02	MAINFRAME RH.	1
*02	03.657.28	PIN - DIA 50 X 570	1
02	05.287.03	SELF-LOCKING NUT M12 PLATED	1
02	05.292.22	BOLT M12 X 90MM PLATED	1
*03	03.653.57	PIN 25 DIA X 170MM	1
03	05.287.01	SELF-LOCKING NUT M8 PLATED	1
03	05.625.29	SOCKET CAPSCREW M8 X 50 PLATED	1
04	05.264.12	SETSCREW M10 X 25MM PLATED	2
04	05.281.02	FLT WASHER 10MM PLATED FORM C	2
04	05.282.02	SPRING WASHER 10MM PLATED	2
*04	09.931.01	PIN - LOWER LINK	2
05	00.372.01	LINCH PIN	2
05	06.318.01	PIN-1.1/8" DIA X 103	2
06	41.026.01	PARKING LEG	3
07	07.262.03	PLUG-PLASTIC 50X50:3.2-5.0W	3
09	00.372.01	LINCH PIN	3
*09	03.652.01	PIN 20 DIA X 90	3
10	09.925.01	BRACKET - KINGPOST STOP	1
11	03.652.21	PIN - DIA 20 X 105	1
12	09.917.01	SPRING - TENSION	1
<b>74.650.01/74.730.01 KINGPOST ASSY LH/RH</b>			
30	05.953.04	GREASE NIPPLE M10 90 DEG	1
*30	42035.01	KINGPOST - LH	1
30	42035.02	KINGPOST - RH	1
31	09.918.01	THRUST WASHER - PLASTIC	1
*32	03.657.21	PIN 50 DIA X 340	1
32	05.287.03	SELF-LOCKING NUT M12 PLATED	1
32	05.292.22	BOLT M12 X 90MM PLATED	1
*33	03.655.37	PIN DIA 35 X 186	1
33	05.287.02	SELF-LOCKING NUT M10 PLATED	1
33	05.291.18	BOLT M10 X 65 PLATED	1
*34	03.653.57	PIN 25 DIA X 170MM	1
34	05.287.01	SELF-LOCKING NUT M8 PLATED	1
34	05.625.29	SOCKET CAPSCREW M8 X 50 PLATED	1
35	08.297.01	BUSH - PLASTIC 60 X 50 X 50	2
	05.287.01	SELF-LOCKING NUT M8 PLATED	1

\*MAIN PART IN GROUP, RELATED PARTS HAVE SAME REFERENCE NUMBER

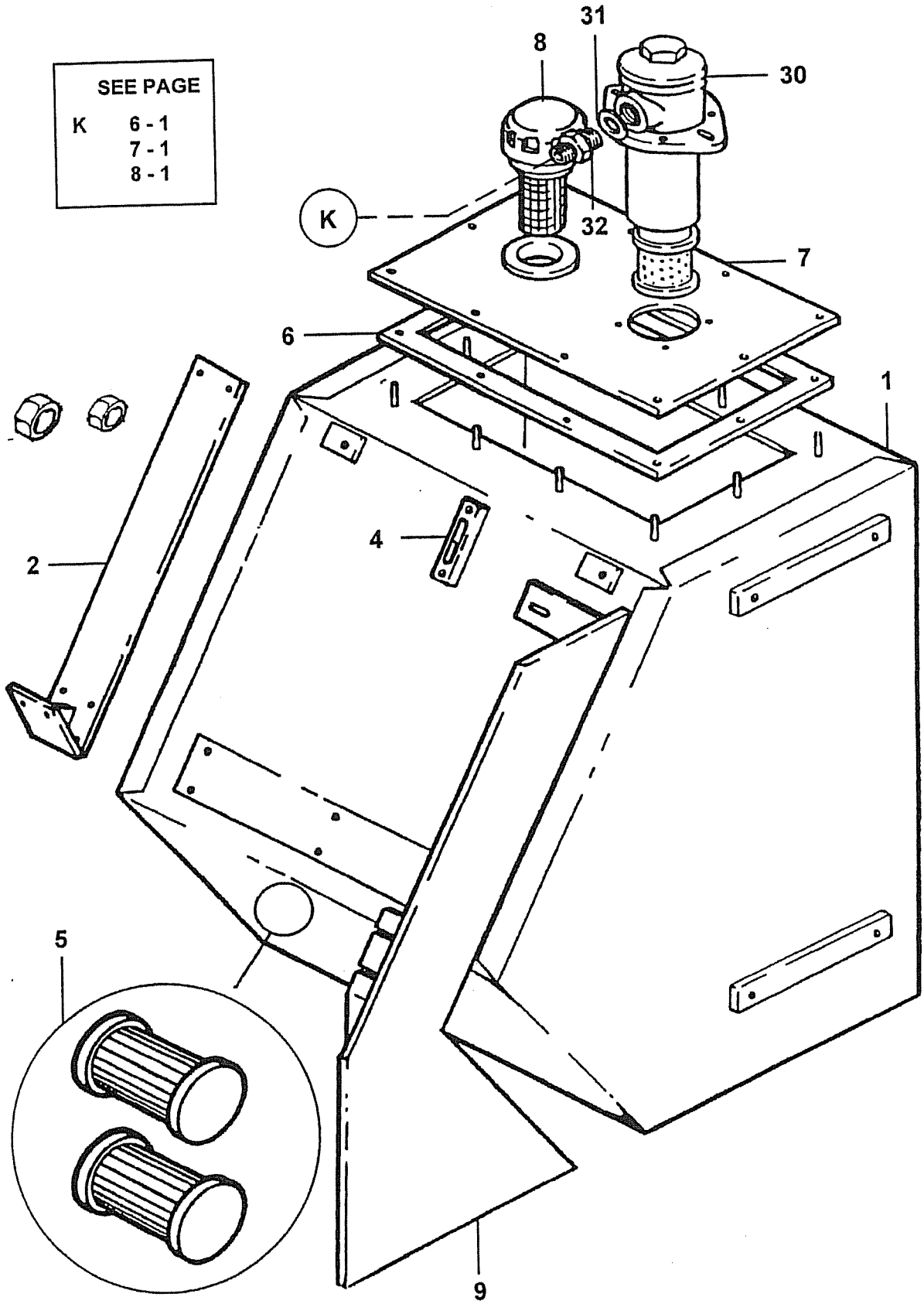


REF	PART NO	DESCRIPTION	QTY
		<b>74.668.01 AXLE MOUNT KIT</b>	
		BRACKET-AXLE MOUNTING	1
15	09.919.01	PIN 50 DIA X 291MM	2
*16	03.657.18	SPRING WASHER 12MM PLATED	2
16	05.282.03	NUT M12 PLATED	2
16	05.286.03	BOLT M12 X 90MM PLATED	2
16	05.292.22	PIVOT GATE	2
17	08.543.01	MOUNTING FORK	2
*18	03.752.01	SPRING WASHER 20MM PLATED	8
18	05.282.05	NUT M20 PLATED	8
18	05.286.05	BOLT M20 X 80MM PLATED	8
18	05.292.41	CATCH PLATE	2
19	03.719.01	CHAIN-RING ASSY	2
20	03.255.05	PIN 12 DIA X 68	2
*20	03.650.01	SPRING COTTER 3.6MM DIA	2
20	05.964.01	BRACKET-TIE ROD	2
21	03.720.01	BRACKET-TIE ROD R.H.	2
22	03.806.01	PIN 20 DIA X 53	2
*23	03.652.02	SPLIT COTTER 3.2MM X 36MM	2
23	05.284.03	TURNBUCKLE (PLATED)	2
*24	03.804.02	NUT M24 PLATED	2
24	05.286.06	BRACKET-TIE ROD L.H.	2
*25	03.805.01	SETSCREW M20 X 50MM PLATED	2
25	05.264.47	SELF-LOCKING NUT M20 PLATED	2
25	05.287.05	LINCH PIN	3
26	00.372.01	PIN 20 DIA X 90	3
*26	03.652.01	STAND - BOTTOM	3
27	08.397.01	ADJUSTER FOOT	3
28	30.141.34		
		<b>76.458.01 3 PT LINKAGE (TUBULAR)</b>	
01	42411.01	PLATE 40 - 138 X 119	1
01	✦ 42280.01	PLATE 40 - 138 X 119	1
01	✦ 42441.01	PLATE 40 - 158 X 118	1
02	42276.01	BRACKET	1
*03	03.652.12	PIN DIA 20 X 65 LG	2
03	05.201.11	TENSION PIN 5MM X 45MM PLATED	2
03	05.281.05	FLAT WASHER 20MM PLATED	2
04	42317.01	ROD INNER	2
05	42316.01	TUBE OUTER	2
06	05.964.01	SPRING COTTER 3.6MM DIA	2
*06	42315.01	BRT RND 12 DIA X 68	2
07	07.731.01	BALL END - 'A' FRAME	2
08	42452.01	CDS 1.1/2 X 1.1/32 - 5 PLATED	2
09	00.372.01	LINCH PIN	2
*09	03.873.01	PIN 1"DIA X 140MM	2
10	00.372.01	LINCH PIN	1
*10	42250.01	PIN - CATII TOP LINK	1
11	07.584.02	TOP LINK - HEAVY DUTY	1

✦ Dependent on Tractor make and model

MAIN PART IN GROUP, RELATED PARTS HAVE SAME REFERENCE NUMBER

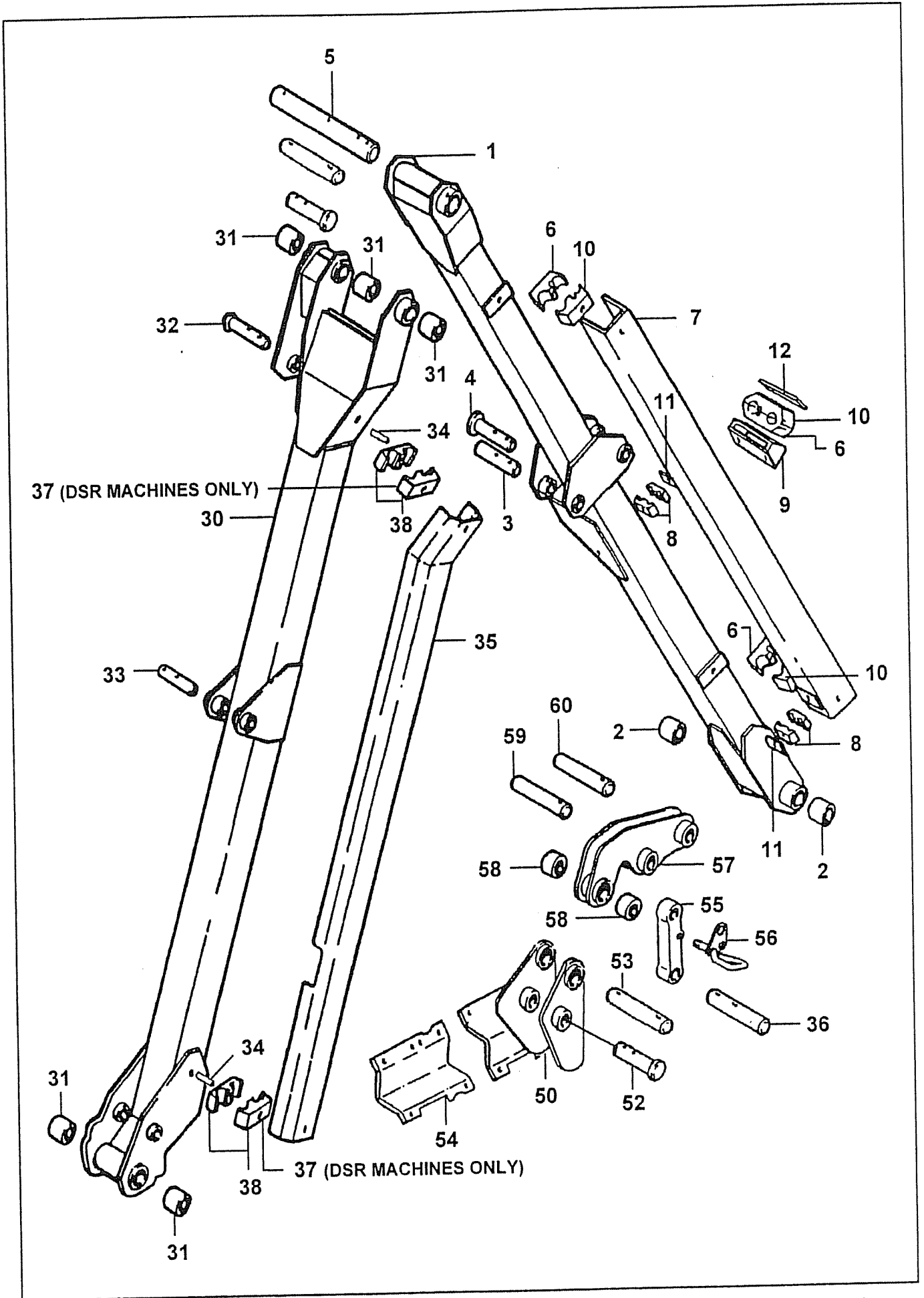
SEE PAGE  
K 6-1  
7-1  
8-1





REF	PART NO	DESCRIPTION	QTY
<b>76.086.01/74988.01 TANK ASSEMBLY - LH/RH</b>			
*01	42601.01	TANK - OIL LH	1
01	42601.02	TANK - OIL RH	1
01	05.264.37	SETSCREW M16 X 50MM PLATED	2
01	05.282.04	SPRING WASHER 16MM PLATED	2
01	05.287.04	SELF-LOCKING NUT M16 PLATED	2
02	05.264.22	SETSCREW M12 X 25MM PLATED	5
02	05.281.03	FLAT WASHER 12MM PLATED	6
02	05.282.03	SPRING WASHER 12MM PLATED	6
*02	09.949.01	BRACKET - TANK MOUNTING	1
04	08.921.01	FLUID LEVEL GAUGE	1
05	8401047	UC-SE-1324 SUCTION	2
06	08.605.01	GASKET	1
07	05.281.01	FLAT WASHER 8MM PLATED	10
07	05.286.01	NUT M8 PLATED	10
*07	41.255.01	PLATE - FILLER/FILTER	1
08	06.966.02	FILLER BREATHER CAP & STRAINER	1
09	05.264.21	SETSCREW M12 X 20MM PLATED	1
*09	09.974.01	COVER - REAR LH	1
<b>74.803.01 FILTER ASSEMBLY</b>			
30	05.264.01	SETSCREW M8 X 20MM PLATED	4
30	05.282.01	SPRING WASHER 8MM PLATED	4
*30	41.041.01	FILTER ASSEMBLY 125L	1
30	41.041.02	ELEMENT 125L	-
31	05.290.08	BONDED SEAL 1.1/4"BSP	1
32	05.131.01	ADAPTOR 1" X 1.1/4" BSP	1

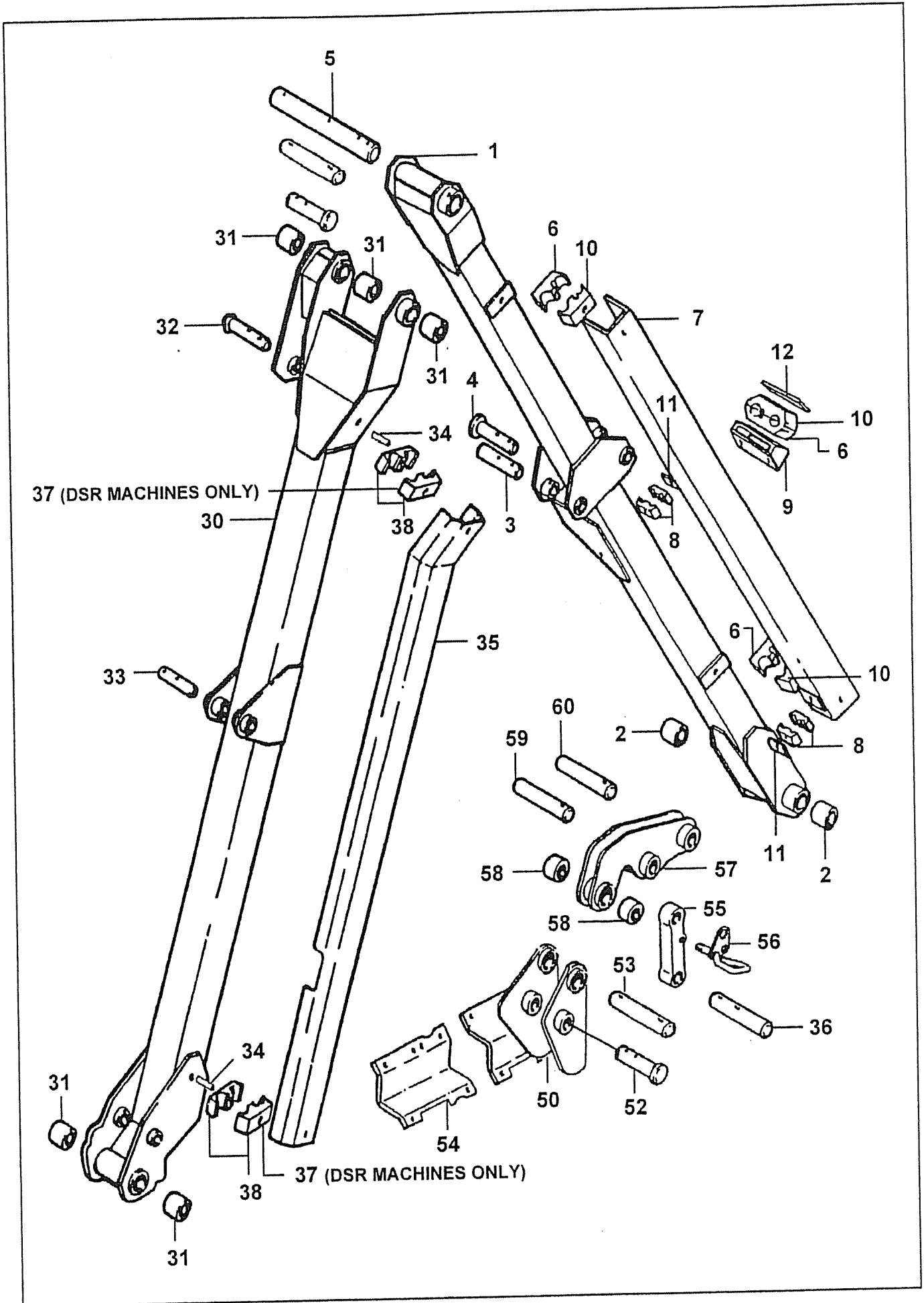
\*MAIN PART IN GROUP, RELATED PARTS HAVE SAME REFERENCE NUMBER



REF	PART NO	DESCRIPTION	QTY
<b>76.030.02/76.064.01 ARM ASSEMBLY - FIRST</b>			
01	05.953.04	GREASE NIPPLE M10 90 DEG	1
*01	42048.01	ARM - FIRST (Use 42048.02 and Pin 03.656.99)	1
01	42048.02	ARM - FIRST ( <i>From Serial No. 1001N/02</i> )	1
02	08.297.01	BUSH - PLASTIC 60 X 50 X 50	2
*03	03.655.38	PIN - DIA 35 X 168	1
03	05.287.02	SELF-LOCKING NUT M10 PLATED	1
03	05.291.18	BOLT M10 X 65 PLATED	1
*04	03.653.60	PIN - DIA 25 X 120	1
04	05.287.01	SELF-LOCKING NUT M8 PLATED	2
04	05.625.29	SOCKET CAPSCREW M8 X 50 PLATED	1
05	03.068.01	SPECIAL SETSCREW M12 X 25	2
*05	03.656.67	PIN ( <i>Up to Serial No.3420M/01</i> )	1
05	03.656.99	PIN ( <i>From Serial No, 1001N/02</i> )	1
05	05.282.03	SPRING WASHER 12MM PLATED	2
05	05.287.02	SELF-LOCKING NUT M10 PLATED	1
05	05.292.11	BOLT M10 X 80MM PLATED	1
05	05.953.01	GREASE NIPPLE M6	2
05	07.942.01	WASHER - M12 SPECIAL	2
06	04.282.69	STUD - M10 X 105	3
06	05.281.02	FLAT WASHER 10MM PLATED FORM C	3
06	05.282.02	SPRING WASHER 10MM PLATED	3
06	05.286.02	NUT M10 PLATED	3
*06	06.430.10	CLAMP HOSE	5
06	06.430.18 ♣	CLAMP- HOSE LOWER	3
07	41762.02	HOSE GUARD - FIRST ARM	1
08	04.282.66	STUD - M10 X 56	3
08	05.281.02	FLT WASHER 10MM PLATED FORM C	3
08	05.282.02	SPRING WASHER 10MM PLATED	3
08	05.286.02	NUT M10 PLATED	3
*08	06.430.02	CLAMP HOSE 14 X 14	6
09	05.282.01	SPRING WASHER 8MM PLATED	2
09	05.839.03	SETSCREW M8 X 16MM PLATED	2
*09	09.924.01	BRACKET - HOSE MOUNTING	1
10	06.430.21	CLAMP - HOSE	1
10	06.430.17 ♣	CLAMP- HOSE UPPER	3
11	06.418.06	CLAMP PLATE 48 X 6	3
12	43243.01	BRACKET - HOSE CLAMP	1

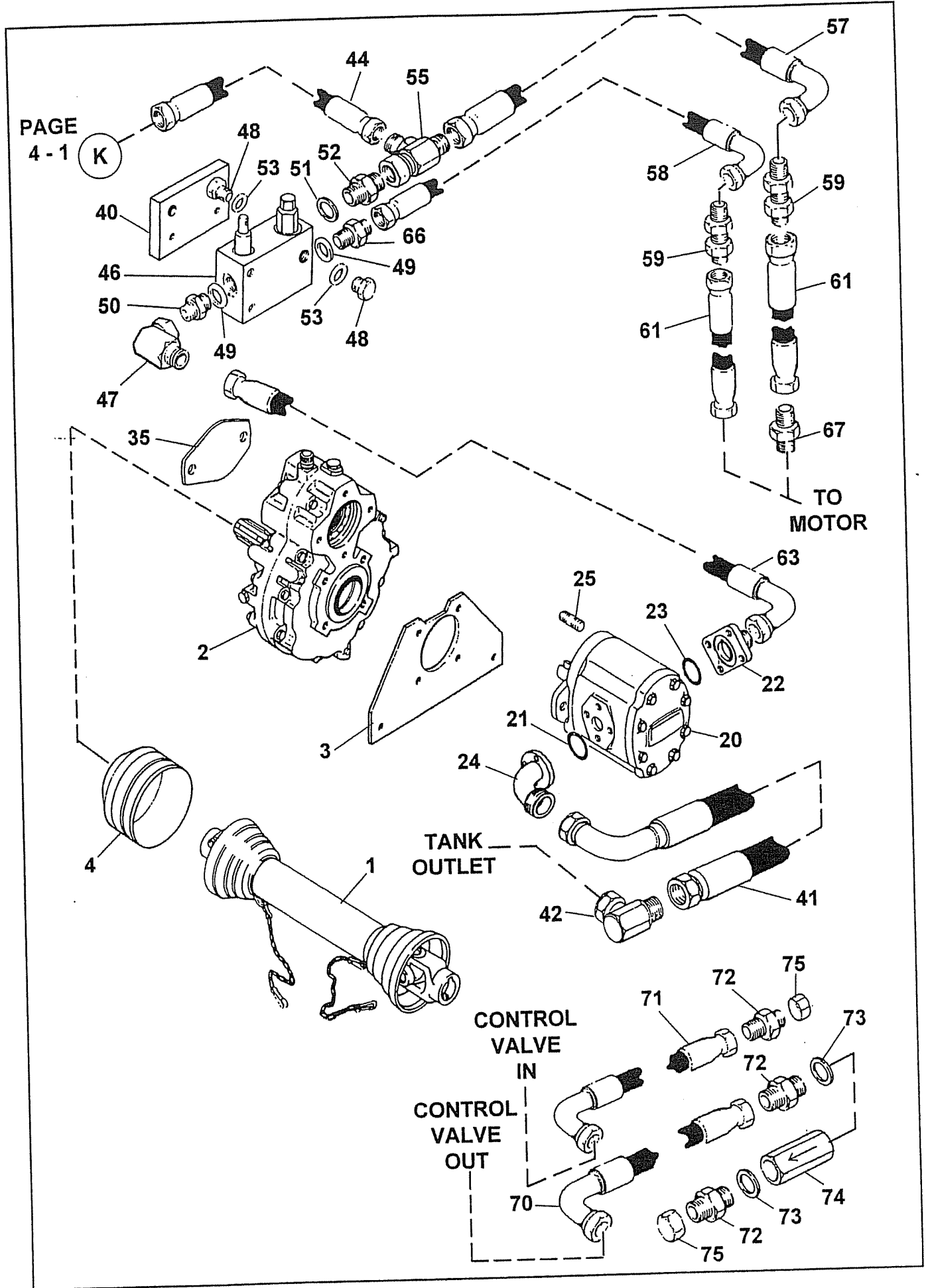
♣ = Applies to DSR machines only

\*MAIN PART IN GROUP, RELATED PARTS HAVE SAME REFERENCE NUMBER



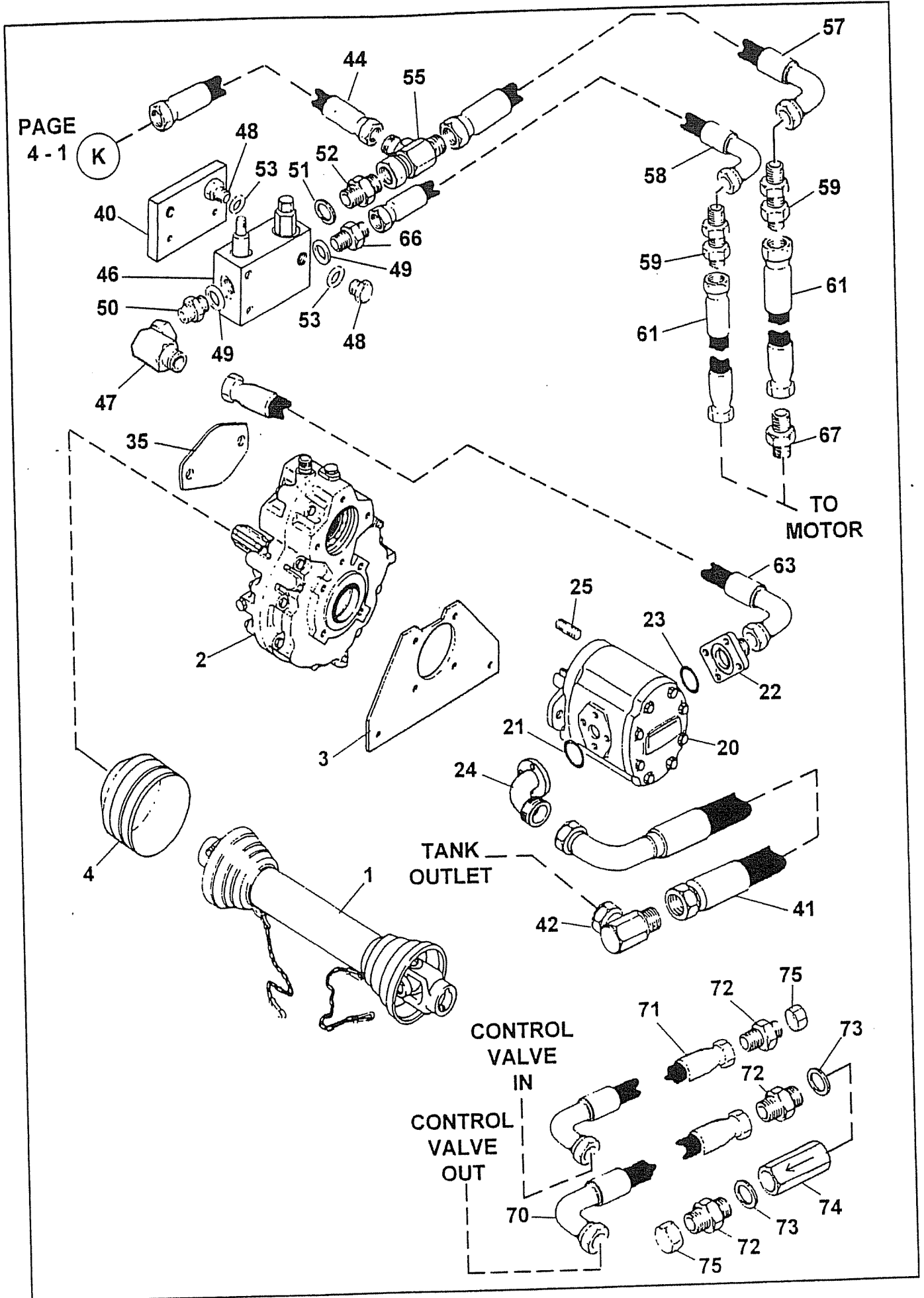
REF	PART NO	DESCRIPTION	QTY
<b>76.164.02/76.164.03 ARM ASSEMBLY - SECOND LH/RH</b>			
30	05.953.04	GREASE NIPPLE M10 90 DEG	1
		ARM - SECOND LH	1
*30	42634.01	ARM - SECOND LH	1
30	42634.02	ARM - SECOND RH	1
31	08.297.02	BUSH - PLASTIC 47 X 40 X 40	5
31	08.297.02	BUSH - PLASTIC 47 X 40 X 40	1
*32	03.653.61	PIN - DIA 25 X 128	1
32	05.287.01	SELF-LOCKING NUT M8 PLATED	1
32	05.625.29	SOCKET CAPSCREW M8 X 50 PLATED	1
*33	03.653.58	PIN - DIA 25 X 138	1
33	05.287.01	SELF-LOCKING NUT M8 PLATED	1
33	05.625.29	SOCKET CAPSCREW M8 X 50 PLATED	1
*34	04.282.09	STUD M10 X 85MM	2
34	05.281.02	FLT WASHER 10MM PLATED FORM C	2
34	05.282.02	SPRING WASHER 10MM PLATED	2
34	05.286.02	NUT M10 PLATED	2
35	42635.01	GUARD - HOSE SECOND ARM	1
*36	03.654.60	PIN - DIA 30 X 164	1
36	05.287.01	SELF-LOCKING NUT M8 PLATED	1
36	05.625.30	SOCKET CAPSCREW M8 X 55 PLATED	1
37	30.217.76	TWIN CLAMP	2
38	06.430.19	CLAMP HOSE - LOWER	2
<b>76.162.01/76.028.01 COWL BRACKET &amp; LINKAGE LH/RH</b>			
50	09.662.01	BRACKET - COWL LH	1
50	09.662.02	BRACKET - COWL RH	1
*52	03.655.27	PIN - DIA 35 X 184	1
52	05.282.02	SPRING WASHER 10MM PLATED	1
52	05.287.02	SELF-LOCKING NUT M10 PLATED	1
52	05.291.18	BOLT M10 X 65 PLATED	1
*53	03.656.41	PIN 40 DIA X 278	1
53	05.282.02	SPRING WASHER 10MM PLATED	1
53	05.286.02	NUT M10 PLATED	1
53	05.292.11	BOLT M10 X 80MM PLATED	1
54	05.264.37	SETSCREW M16 X 50MM PLATED	5
54	05.282.04	SPRING WASHER 16MM PLATED	5
54	05.286.04	NUT M16 PLATED	5
*54	09.664.01	PLATE - COWL CLAMP	1
55	05.953.01	GREASE NIPPLE M6	1
55	05.953.05	GREASE NIPPLE M6 X 90DEG	1
*55	09.786.01	LINK	1
56	05.282.04	SPRING WASHER 16MM PLATED	1
56	05.286.04	NUT M16 PLATED	1
*56	41.040.01	BRACKET - HOSE LH	1
56	41.040.02	BRACKET - HOSE RH	1
57	05.953.03	GREASE NIPPLE M10	1
*57	09.785.01	BRACKET - COWL LINK	2
58	08.297.05	PLASTIC BUSH - 42 X 35 - 30	1
*59	03.654.59	PIN - DIA 30 X 128	1
59	05.287.01	SELF-LOCKING NUT M8 PLATED	1
59	05.625.30	SOCKET CAPSCREW M8 X 55 PLATED	1
*60	03.653.59	PIN - DIA 25 X 128	1
60	05.287.01	SELF-LOCKING NUT M8 PLATED	1
60	05.625.29	SOCKET CAPSCREW M8 X 50 PLATED	1

\*MAIN PART IN GROUP, RELATED PARTS HAVE SAME REFERENCE NUMBER



REF	PART NO	DESCRIPTION	QTY
<b>76.290.02/762.90.03 PTO/GEARBOX ASSEMBLY</b>			
*01	41624.01	PTO SHAFT ASSY 560 MM C/C ) Check type for	1
01	41624.31	CROSS JOURNAL SET ) replacement	-
01	41624.32	COMPLETE SHIELD ) parts	-
*01	04.402.01	PTO SHAFT ASSY 560 MM C/C ]	1
01	06.154.13	CROSS JOURNAL SET ]	-
01	04.402.02	COMPLETE SHIELD ]	-
02	05.264.23	SETSCREW M12 X 30MM PLATED	4
02	05.282.03	SPRING WASHER 12MM PLATED	4
*02	07.727.05	GEARBOX - LS 3.6:1 SPLINED	1
03	05.264.24	SETSCREW M12 X 35MM PLATED	2
03	05.282.03	SPRING WASHER 12MM PLATED	2
03	05.286.03	NUT M12 PLATED	2
*03	09.920.02	PLATE - GEARBOX	1
04	05.281.01	FLAT WASHER 8MM PLATED	2
04	05.282.01	SPRING WASHER 8MM PLATED	2
04	05.839.03	SETSCREW M8 X 16MM PLATED	2
*04	08.548.01	GUARD - PLASTIC PTO CUP	1
<b>76.415.04 PUMP - B608 SINGLE LH</b>			
20	05.642.02	SEAL KIT (05 650 PUMPS)	-
*20	05.650.03	PUMP 2PL146 SPLINE SHAFT	1
21	05.656.01	"O"RING 28 I/D X 2.5	1
*22	03.864.01	ADAPTOR-FLANGED 3/4"BSP PLATED	1
22	05.657.01	SOCKET CAPSCRW 5/16"UNC X 7/8" PLT	4
23	05.656.03	"O"RING 25 I/D X 3.53	1
24	05.657.01	SOCKET CAPSCRW 5/16"UNC X 7/8" PLT	3
*24	42588.01	ADAPTOR - FLANGED 1.1/2"BSP	1
25	03.100.01	STUD M10 X 34MM	2
25	05.282.02	SPRING WASHER 10MM PLATED	2
25	05.286.02	NUT M10 PLATED	2
*35	04.182.01	PLATE - BLANKING	1
35	05.264.11	SETSCREW M10 X 20MM PLATED	2
35	05.282.02	SPRING WASHER 10MM PLATED	2

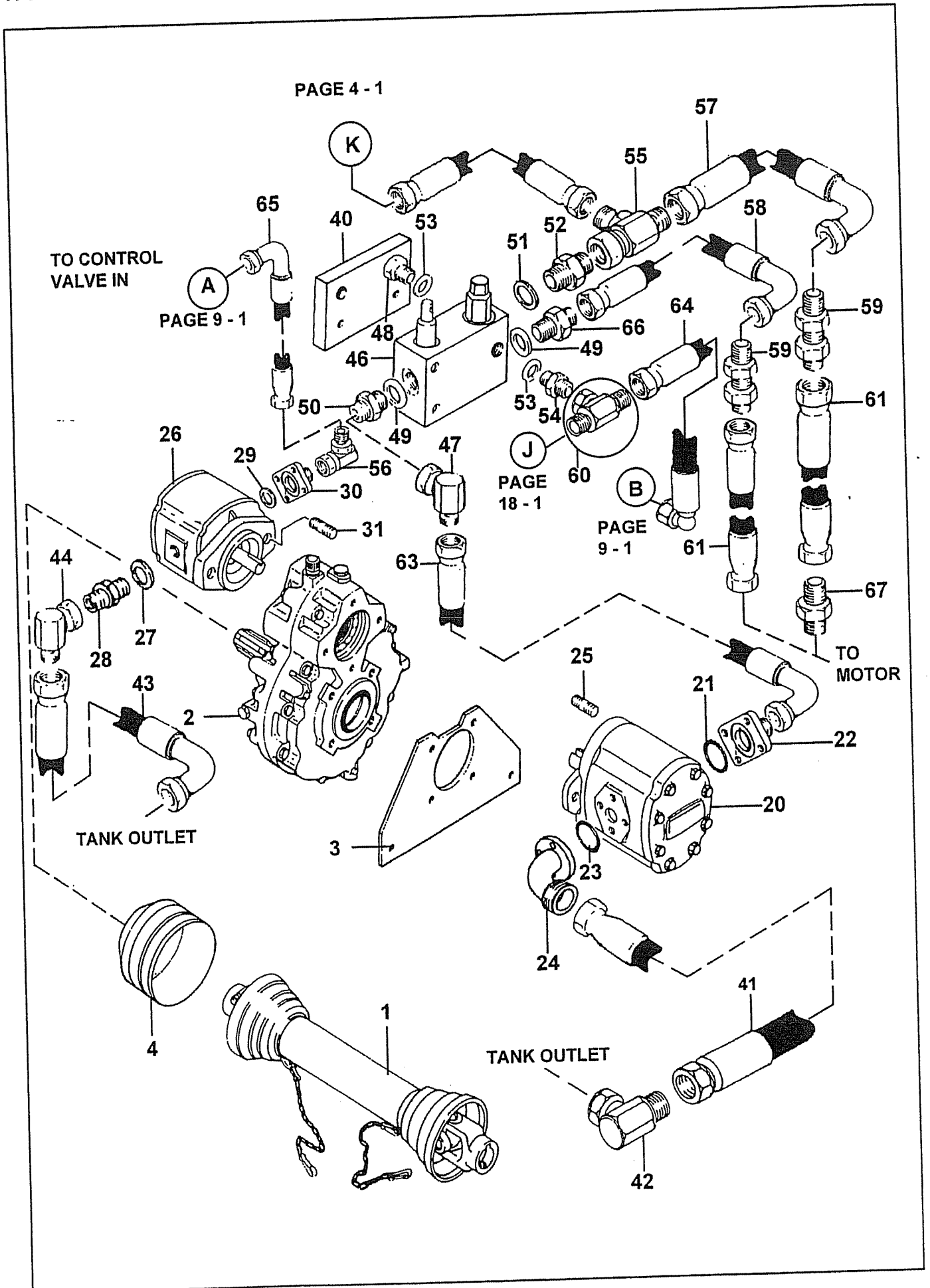
\*MAIN PART IN GROUP, RELATED PARTS HAVE SAME REFERENCE NUMBER





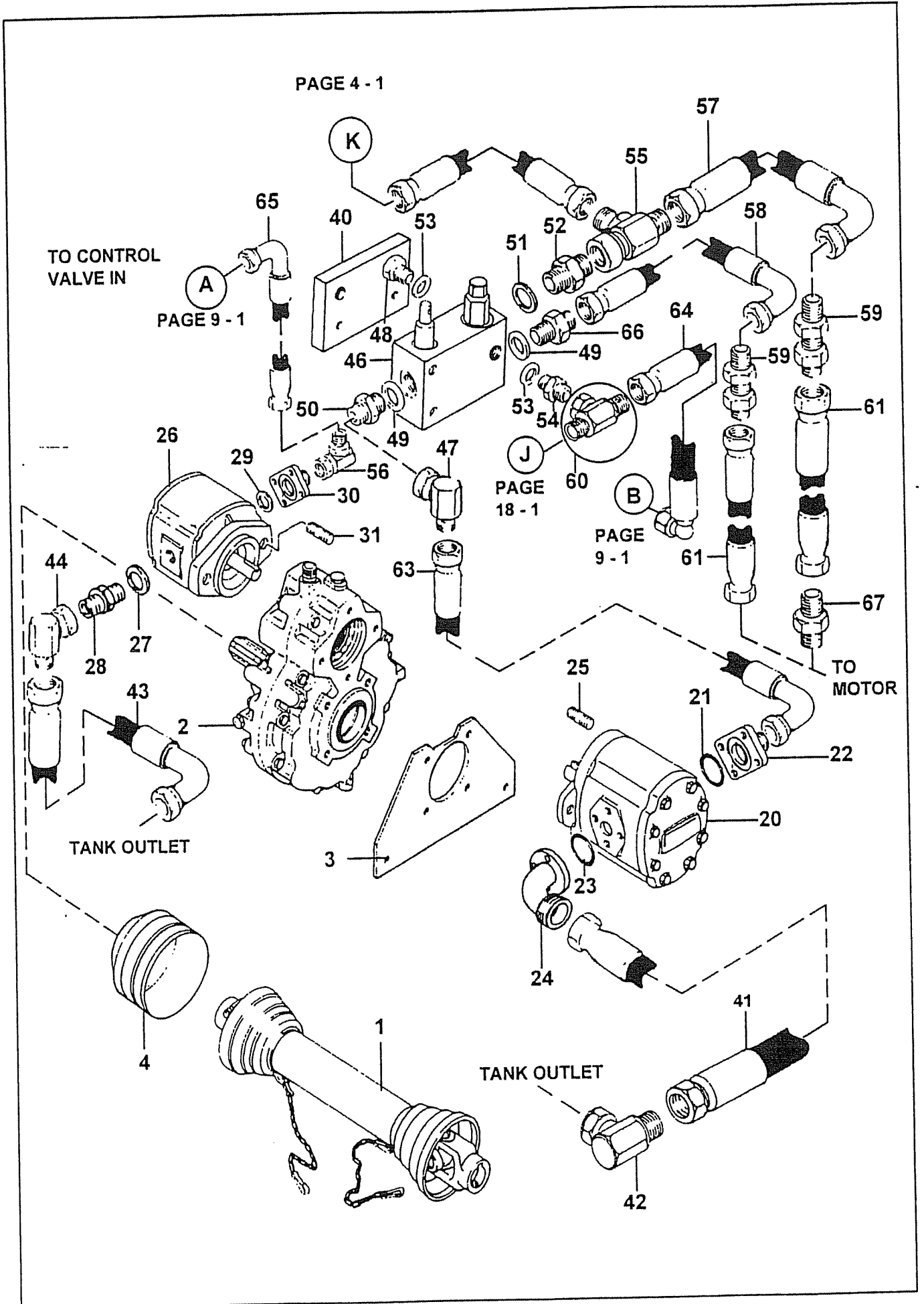
REF	PART NO	DESCRIPTION	QTY
<b>76.163.04 PUMP CIRCUIT B608 LH</b>			
40	05.264.24	SETSCREW M12 X 35MM PLATED	2
40	05.282.03	SPRING WASHER 12MM PLATED	2
*40	09.921.01	PLATE - DIVERTER VALVE	1
41	10.016.21	HOSE 1.5"BSP ST/90 S.SEALX1100	1
42	05.835.10	ADAPTOR 90 SWIVEL 1.1/2"BSP MF	1
44	10.011.12	HOSE 1" BSP ST/ST S.SEAL 600	1
46	05.281.01	FLAT WASHER 8MM PLATED	2
46	05.282.01	SPRING WASHER 8MM PLATED	2
46	05.291.07	BOLT M8 X 60MM PLATED	2
46	06.284.02	SEAL KIT FOR (06.284.01) VALVE	-
*46	06.284.16	DIVERTER/RELIEF ASSY - 207 BAR	1
46	06.299.03	RELIEF VALVE CARTRIDGE 207BAR	-
47	05.835.03	ADAPTOR-SWIVEL 90 3/4"BSP M/F	1
48	05.433.01	PLUG 3/8"BSP PLATED	2
49	05.290.06	BONDED SEAL 3/4"BSP	2
50	05.377.01	ADAPTOR 3/4"BSP X 3/4"BSP	1
51	05.290.07	BONDED SEAL 1"BSP	1
52	05.434.01	ADAPTOR 1"BSP X 1"BSP	1
53	05.290.04	BONDED SEAL 3/8"BSP	2
55	04.056.02	ADAPTOR-SWIVEL TEE 1"BSP F/M/M	1
57	10.012.90	HOSE 1"BSP STX90 S.SEAL 8000	1
58	10.012.79	HOSE 1"BSP STX90 S.SEAL 6900	1
59	08.128.03	ADAPTR 1"BSP BULKHEAD CW LNUT	2
61	10.011.26	HOSE 1"BSP ST X ST S.SEAL 1600	2
63	10.010.11	HOSE 3/4"BSP ST X 90 S.SEAL 550	1
66	05.373.01	ADAPTOR 3/4"BSP X 1"BSP	1
67	05.434.01	ADAPTOR 1"BSP X 1"BSP	1
70	10.006.30	HOSE 1/2"BSP ST X 90 S.SEAL 2000	1
71	10.004.30	HOSE 3/8"BSP ST X 90 S.SEAL 2000	1
72	05.123.01	ADAPTOR 1/2" BSP X 3/8" BSP	3
73	05.290.04	BONDED SEAL 3/8"BSP	2
74	06.282.01	NON-RETURN VALVE - 3/8" BSP	1
75	05.300.03	PLUG-PLASTIC 1/2"BSP FEMALE	2
76	05.625.11	SOCKET CAPSCREW 1/4"UNC X 5/8 PLATED	2
*76	09.968.81	FLANGE - KONTAK SHROUD	1
77	41733.01	LOCKING CAP - SPOOL	1
78	05.433.08	BLANKING CAP 1" BSP FEMALE	1
	41.277.03	HOSE SLEEVE 1SR/2ND ARM PIVOT (NOT ILLUSTRATED)	
	41.277.03	HOSE SLEEVE COWL PLATE (NOT ILLUSTRATED)	

\*MAIN PART IN GROUP, RELATED PARTS HAVE SAME REFERENCE NUMBER



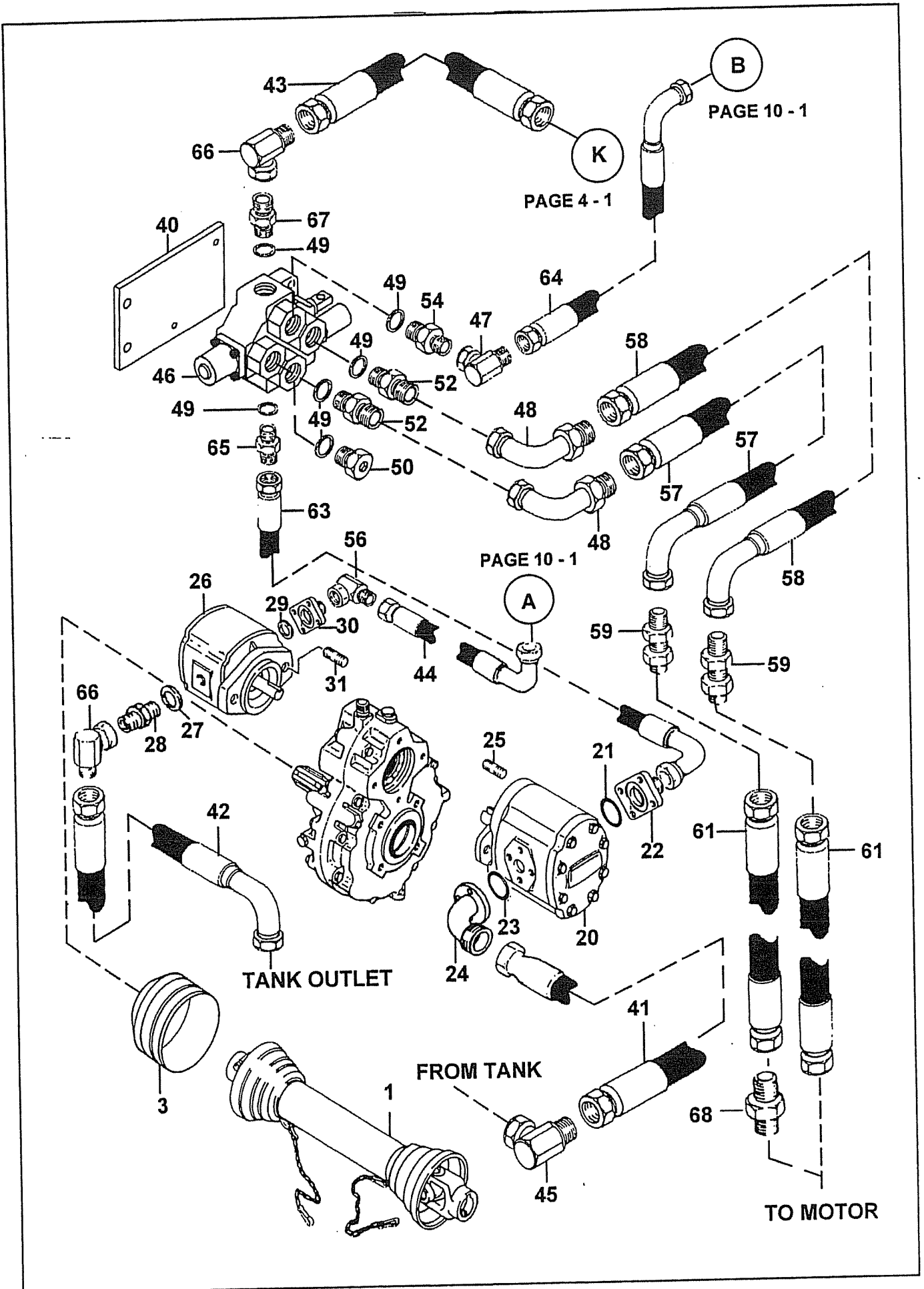
REF	PART NO	DESCRIPTION	QTY
<b>76.290.02/762.90.03 PTO/GEARBOX ASSEMBLY</b>			
*01	41624.01	PTO SHAFT ASSY 560 MM C/C ) Check type for	1
01	41624.31	CROSS JOURNAL SET ) replacement	-
01	41624.32	COMPLETE SHIELD ) parts	-
*01	04.402.01	PTO SHAFT ASSY 560 MM C/C ]	1
01	06.154.13	CROSS JOURNAL SET ]	-
01	04.402.02	COMPLETE SHIELD ]	-
02	05.264.23	SETSCREW M12 X 30MM PLATED	4
02	05.282.03	SPRING WASHER 12MM PLATED	4
*02	07.727.05	GEARBOX - LS 3.6:1 SPLINED	1
03	05.264.25	SETSCREW M12 X 40MM PLATED	2
03	05.282.03	SPRING WASHER 12MM PLATED	2
03	05.286.03	NUT M12 PLATED	2
*03	09.920.02	PLATE - GEARBOX	1
04	05.281.01	FLAT WASHER 8MM PLATED	2
04	05.282.01	SPRING WASHER 8MM PLATED	2
04	05.839.03	SETSCREW M8 X 16MM PLATED	2
*04	08.548.01	GUARD - PLASTIC PTO CUP	1
<b>76.415.02 PUMPS - B608 TWIN LH</b>			
<b>76.415.03 PUMPS - B608 TWIN RH</b>			
20	01.071.13	KEY-SEP 1/4" X 1/4" X 1"	-
20	05.642.02	SEAL KIT (05 650 PUMPS)	-
*20	05.650.03	PUMP 2PL146 SPLINE SHAFT	1
21	05.656.01	"O"RING 28 I/D X 2.5	1
*22	03.864.01	ADAPTOR-FLANGED 3/4"BSP PLATED	1
22	05.657.01	SOCKET CAPSCRW 5/16" UNC X 7/8" PLT	4
23	05.656.03	"O"RING 25 I/D X 3.53	1
24	05.657.01	SOCKET CAPSCRW 5/16" UNC X 7/8" PLT	3
24	42588.01	ADAPTOR - FLANGED 1.1/2"BSP (LH)	1
*24	42588.02	ADAPTOR - FLANGED 1.1/2"BSP (RH)	1
*25	03.100.01	STUD M10 X 34MM	2
25	05.282.02	SPRING WASHER 10MM PLATED	2
25	05.286.02	NUT M10 PLATED	2
26	09.537.01	GEAR PUMP - ULTRA 1P X 070	1
27	05.290.05	BONDED SEAL 1/2"BSP	1
28	30.059.84	ADAPTOR 1/2 BSPM / 1 BSPM	1
29	30.210.92	O RING 200-121-4490	1
30	05.657.01	SOCKET CAPSCRW 5/16"UNC X 7/8" PLT	4
*30	09.745.01	ADAPTOR-FLANGE 3/8"BSP PLATED	1
*31	03.100.01	STUD M10 X 34MM	2
31	05.282.02	SPRING WASHER 10MM PLATED	2
31	05.286.02	NUT M10 PLATED	2

\*MAIN PART IN GROUP, RELATED PARTS HAVE SAME REFERENCE NUMBER



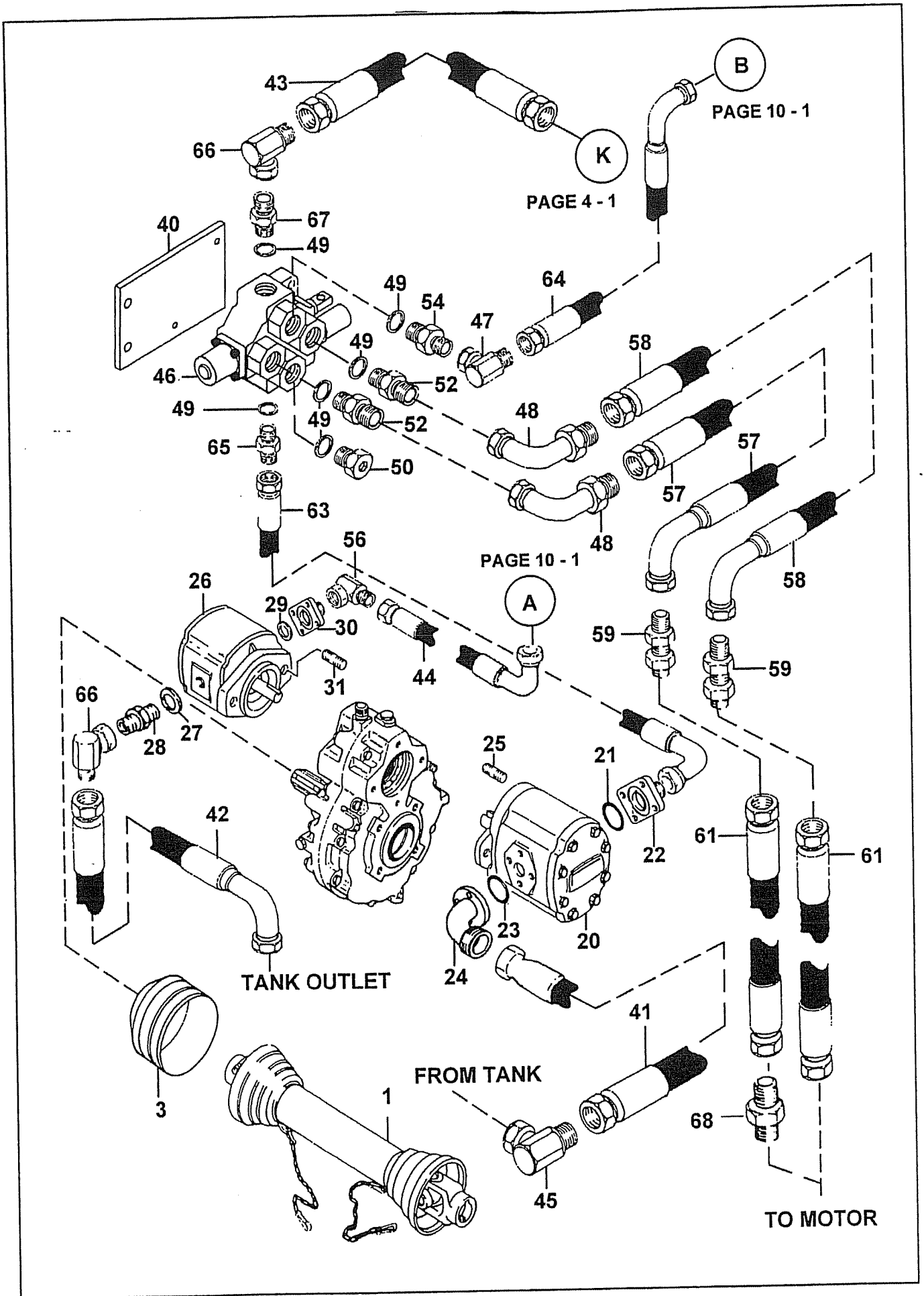
REF	PART NO	DESCRIPTION	QTY
<b>76.163.02/76.163.05 TWIN PUMP CIRCUIT B608 LH/RH</b>			
40	05.264.24	SETSCREW M12 X 35MM PLATED	2
40	05.282.03	SPRING WASHER 12MM PLATED	2
*40	09.921.01	PLATE - DIVERTER VALVE	1
41	10.016.21	HOSE 1.5"BSP ST/90 S.SEAL X 1100 (LH)	1
41	10.024.12	HOSE 1.5"BSP ST/ST 570 (RH)	1
42	05.835.10	ADAPTOR 90 SWIVEL 1.1/2"BSP MF	1
43	10.012.13	HOSE 1"BSP ST X 90 S.SEAL 650 (LH)	1
43	10.012.15	HOSE 1"BSP ST X 90 S.SEAL 750 (RH)	1
44	05.835.02	ADAPTOR-SWIVEL 90 1"BSP M/F	1
45	10.011.12	HOSE 1" BSP ST/ST S.SEAL 600	1
46	05.281.01	FLAT WASHER 8MM PLATED	2
46	05.282.01	SPRING WASHER 8MM PLATED	2
46	05.291.07	BOLT M8 X 60MM PLATED	2
46	06.284.02	SEAL KIT FOR (06.284.01) VALVE	-
*46	06.284.16	DIVERTER/RELIEF ASSY - 207 BAR	1
46	06.299.03	RELIEF VALVE CARTRIDGE 207BAR	-
47	05.835.03	ADAPTOR-SWIVEL 90 3/4"BSP M/F	1
48	05.433.01	PLUG 3/8"BSP PLATED	1
49	05.290.06	BONDED SEAL 3/4"BSP	2
50	05.377.01	ADAPTOR 3/4"BSP X 3/4"BSP	2
51	05.290.07	BONDED SEAL 1"BSP	1
52	05.434.01	ADAPTOR 1"BSP X 1"BSP	1
53	05.290.04	BONDED SEAL 3/8"BSP	2
54	05.123.01	ADAPTOR 1/2" BSP X 3/8" BSP	1
55	04.056.02	ADAPTOR-SWIVEL TEE 1"BSP F/M/M	1
56	05.835.01	ADAPTOR-SWIVEL 90 3/8"BSP M/F	1
57	10.012.90	HOSE 1"BSP ST X 90 S.SEAL 8000	1
58	10.010.79	HOSE 1"BSP ST X 90 S.SEAL 6900	1
59	08.128.03	ADAPTOR 1"BSP BULKHEAD C/W LNUT	2
60	05.835.05	ADAPTOR- SWIVEL	1
61	10.011.26	HOSE 1" BSP ST X ST S.SEAL 1600 (LH)	2
61	10.011.22	HOSE 1" BSP ST X ST S.SEAL 1200 (RH)	2
63	10.010.11	HOSE 3/4"BSP ST X 90 S.SEAL 550 (LH)	1
63	10.010.09	HOSE 3/4"BSP ST X 90 S.SEAL 450 (RH)	1
64	10.006.10	HOSE 1/2"BSP ST X 90 S.SEAL 500	1
65	10.004.17	HOSE 3/8"BSP ST X 90 S.SEAL 850	1
66	05.373.01	ADAPTOR 3/4"BSP X 1"BSP	1
67	05.434.01	ADAPTOR 1"BSP X 1"BSP	1
	41.277.02	HOSE SLEEVE 1ST/2ND ARM PIVOT (NOT ILLUSTRATED)	
	41.277.03	HOSE SLEEVE COWL PIVOT (NOT ILLUSTRATED)	

\*MAIN PART IN GROUP, RELATED PARTS HAVE SAME REFERENCE NUMBER



REF	PART NO	DESCRIPTION	QTY
<b>76.290.02 PTO/GEARBOX ASSEMBLY</b>			
*01	41624.01	PTO SHAFT ASSY 560 MM C/C	1
01	41624.31	CROSS JOURNAL SET	-
01	41624.32	COMPLETE SHIELD	-
02	05.264.23	SETSCREW M12 X 30MM PLATED	4
02	05.282.03	SPRING WASHER 12MM PLATED	4
*02	07.727.05	GEARBOX - LS 3.6:1 SPLINED	1
03	05.264.25	SETSCREW M12 X 40MM PLATED	2
03	05.282.03	SPRING WASHER 12MM PLATED	2
03	05.286.03	NUT M12 PLATED	2
*03	09.920.02	PLATE - GEARBOX	1
04	05.281.01	FLAT WASHER 8MM PLATED	2
04	05.282.01	SPRING WASHER 8MM PLATED	2
04	05.839.03	SETSCREW M8 X 16MM PLATED	2
*04	08.548.01	GUARD - PLASTIC PTO CUP	1
<b>76.415.02 PUMPS - B608 TWIN</b>			
20	01.071.13	KEY-SEP 1/4" X 1/4" X 1"	-
20	05.642.02	SEAL KIT (05 650 PUMPS)	-
*20	05.650.03	PUMP 2PL146 SPLINE SHAFT	1
21	05.656.01	"O"RING 28 I/D X 2.5	1
*22	03.864.01	ADAPTOR-FLANGED 3/4"BSP PLATED	1
22	05.657.01	SOCKET CAPSCRW 5/16" UNC X 7/8" PLT	4
23	05.656.03	"O"RING 25 I/D X 3.53	1
24	05.657.01	SOCKET CAPSCRW 5/16" UNC X 7/8" PLT	3
*24	42588.01	ADAPTOR - FLANGED 1.1/2"BSP	1
*25	03.100.01	STUD M10 X 34MM	2
25	05.282.02	SPRING WASHER 10MM PLATED	2
25	05.286.02	NUT M10 PLATED	2
26	09.537.01	GEAR PUMP - ULTRA 1P X 070	1
27	05.290.05	BONDED SEAL 1/2"BSP	1
28	30.059.84	ADAPTOR 1/2 BSPM / 1 BSPM	1
29	30.210.92	O RING 200-121-4490	1
30	05.657.01	SOCKET CAPSCRW 5/16"UNC X 7/8" PLT	4
*30	09.745.01	ADAPTOR-FLANGE 3/8"BSP PLATED	1
*31	03.100.01	STUD M10 X 34MM	2
31	05.282.02	SPRING WASHER 10MM PLATED	2
31	05.286.02	NUT M10 PLATED	2

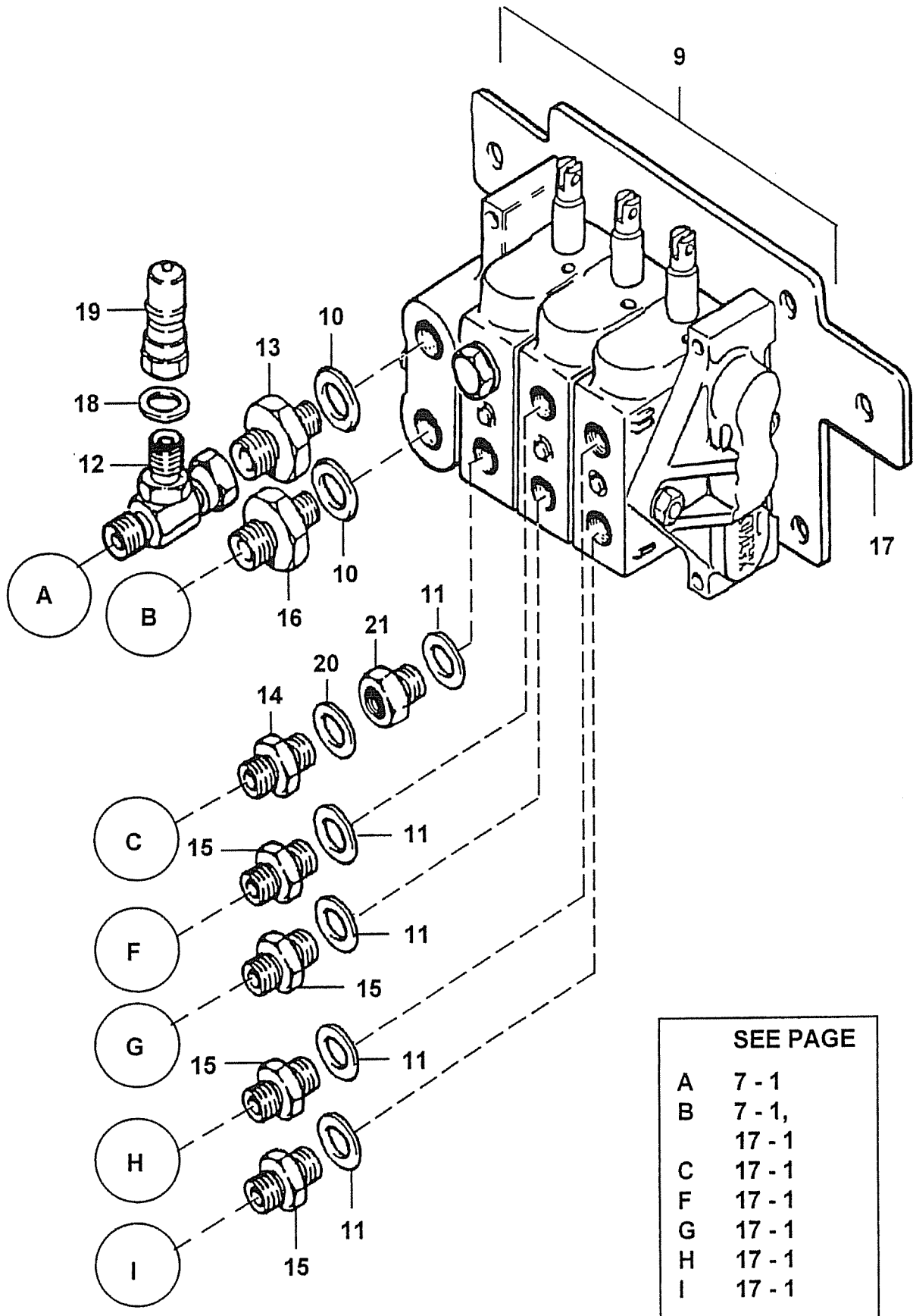
\*MAIN PART IN GROUP, RELATED PARTS HAVE SAME REFERENCE NUMBER





REF	PART NO	DESCRIPTION	QTY
<b>76.163.03 PUMP CIRCUIT B608 RH DSR</b>			
40	05.264.21	SETSCREW M12 X 20MM PLATED	2
40	05.282.03	SPRING WASHER 12MM PLATED	2
*40	09.922.01	PLATE - DSR MOUNTING	1
41	10.024.12	HOSE 1.5"BSP ST X 90 S.SEAL 570	1
42	10.012.15	HOSE 1"BSP ST X 90 S.SEAL 750	1
43	10.011.12	HOSE 1" BSP ST/ST S.SEAL 600	1
44	10.004.17	HOSE 3/8"BSP ST X 90 S.SEAL 850	1
45	05.835.10	ADAPTOR 90 SWIVEL 1.1/2"BSP MF	1
46	05.264.13	SETSCREW M10 X 30MM PLATED	2
46	05.281.02	FLAT WASHER 10MM PLATED FORM C	2
46	05.282.02	SPRING WASHER 10MM PLATED	2
46	8125095	CARTRIDGE VM10/1.Z3	-
46	8125355	ROTOR CONTROL VALVE LH	1
*46	8125385	ROTOR CONTROL VALVE RH	1
46	9343033	M6 X 16 SOCKET HEAD CAP	2
47	05.835.05	ADAPTOR-SWIVEL 90 1/2"BSP M/F	1
48	30.052.66	1" BSP M/F SWEPT ELBOWS	2
49	05.290.06	BONDED SEAL 3/4"BSP	6
50	05.313.01	BLANKING PLUG - 3/4" BSP	1
51	05.123.01	ADAPTOR 1/2" BSP X 3/8" BSP	1
52	05.373.01	ADAPTOR 3/4"BSP X 1"BSP	2
54	05.376.01	ADAPTOR 3/4"BSP X 1/2"BSP	1
56	05.835.01	ADAPTOR-SWIVEL 90 3/8"BSP M/F	1
57	10.012.90	HOSE 1"BSP ST X 90 S.SEAL 8000	1
58	10.012.89	HOSE 1"BSP ST X 90 S.SEAL 7900	1
59	08.128.03	ADAPTOR 1"BSP BULKHEAD C/W LNUT	1
61	10.011.22	HOSE 1"BSP ST X ST S.SEAL 1200	1
63	10.010.09	HOSE 3/4" BSP ST X 90 S.SEAL 450	1
64	10.006.10	HOSE 1/2"BSP ST X 90 S.SEAL 500	1
65	05.377.01	ADAPTOR 3/4"BSP X 3/4"BSP	2
66	05.835.02	ADAPTOR-SWIVEL 90 1"BSP M/F	2
67	05.373.01	ADAPTOR 3/4"BSP X 1"BSP	1
68	05.434.01	ADAPTOR 1" BSP X 1" BSP	1
	41.277.02	HOSE SLEEVE 1ST/2ND ARM PIVOT (NOT ILLUSTRATED)	
	41.277.02	HOSE SLEEVE COWL PIVOT (NOT ILLUSTRATED)	

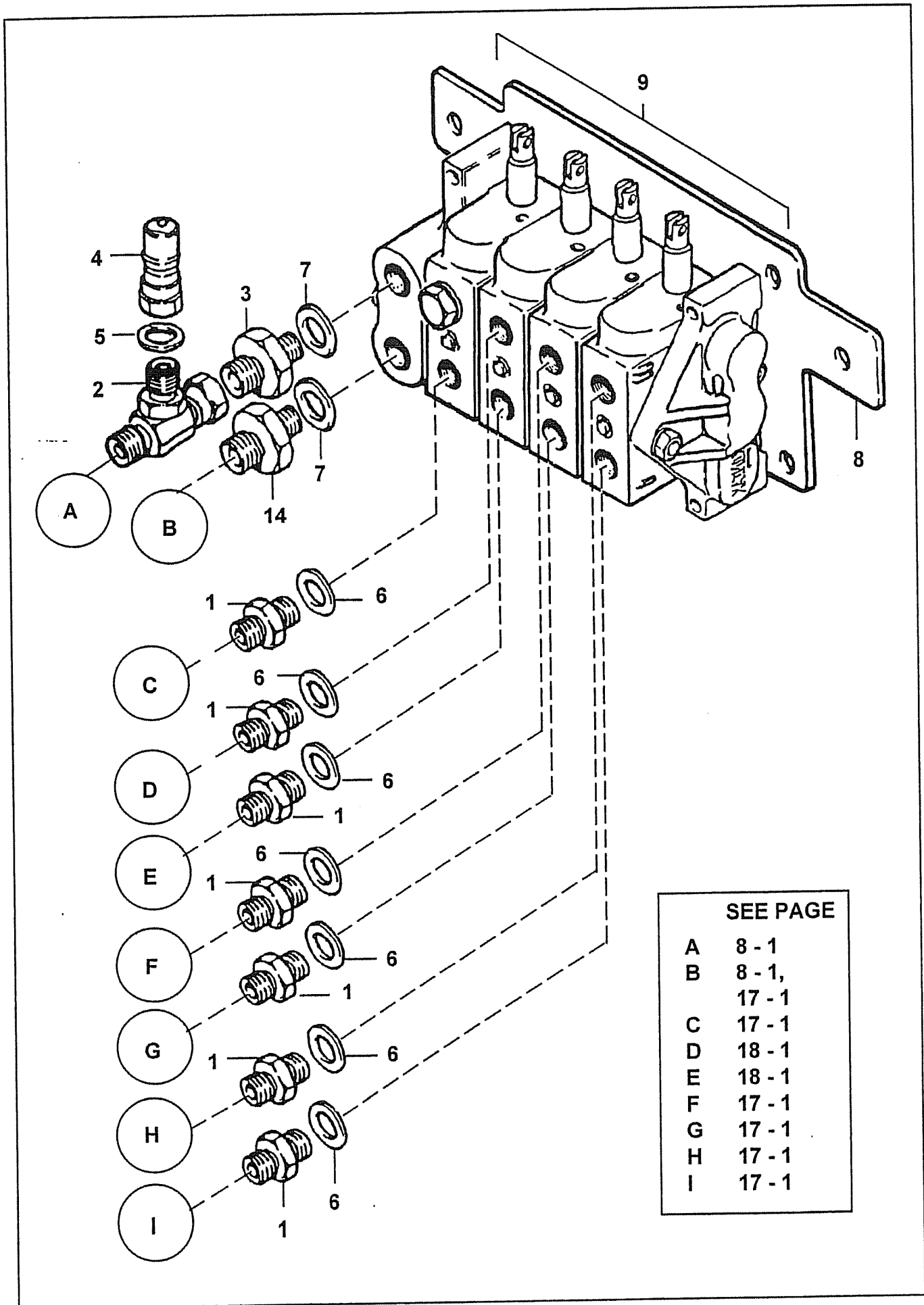
\*MAIN PART IN GROUP, RELATED PARTS HAVE SAME REFERENCE NUMBER



SEE PAGE	
A	7 - 1
B	7 - 1, 17 - 1
C	17 - 1
F	17 - 1
G	17 - 1
H	17 - 1
I	17 - 1

REF	PART NO	DESCRIPTION	QTY
<b>76.082.01 CONTROL VALVE ASSY-CABLE</b>			
09	0342061	SOCKET CAPSCREW 1/4"UNC X 3/4" BZP	6
09	05.282.02	SPRING WASHER 10MM PLATED	3
09	05.286.02	NUT M10 PLATED	3
09	05.291.18	BOLT M10 X 65 PLATED	3
*09	41335.01	VALVE ASSY-3 SPOOL	1
10	05.290.06	BONDED SEAL 3/4"BSP	2
11	05.290.05	BONDED SEAL 1/2"BSP	5
12	04.056.16	ADAPTOR F/M/M 3/8X3/8X1/4 BSP	1
13	05.128.01	ADAPTOR 3/4" BSP X 3/8" BSP	1
14	03.028.15	RESTRICTOR 3/8 X 3/8BSP 1.7MM	1
15	01.099.03	ADAPTOR 1/2BSP X 1/4BSP	4
16	05.376.01	ADAPTOR 3/4"BSP X 1/2"BSP	1
17	05.264.23	SETSCREW M12 X 30MM PLATED	2
17	05.282.03	SPRING WASHER 12MM PLATED	2
17	05.286.03	NUT M12 PLATED	2
*17	09.680.01	PLATE - VALVE MOUNTING	1
18	05.290.02	BONDED SEAL 1/4"BSP	1
19	05.146.12	Q/R COUPLING 1/4" BSP MALE	1
20	05.290.04	BONDED SEAL 3/8"BSP	1
21	05.225.01	ADAPTOR-RDCG.1/2"BSP X 3/8"BSP	1

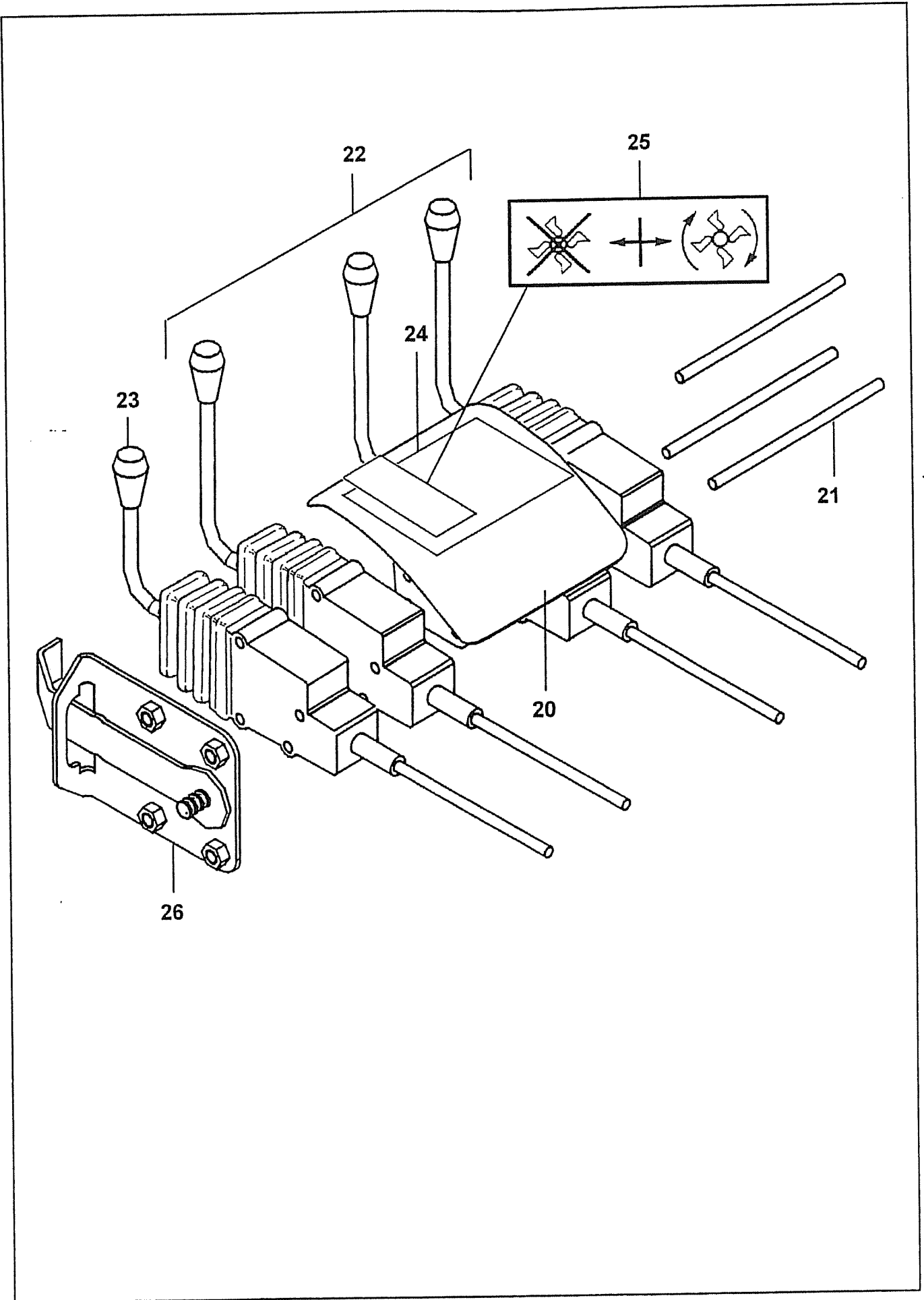
\*MAIN PART IN GROUP, RELATED PARTS HAVE SAME REFERENCE NUMBER



SEE PAGE	
A	8 - 1
B	8 - 1, 17 - 1
C	17 - 1
D	18 - 1
E	18 - 1
F	17 - 1
G	17 - 1
H	17 - 1
I	17 - 1

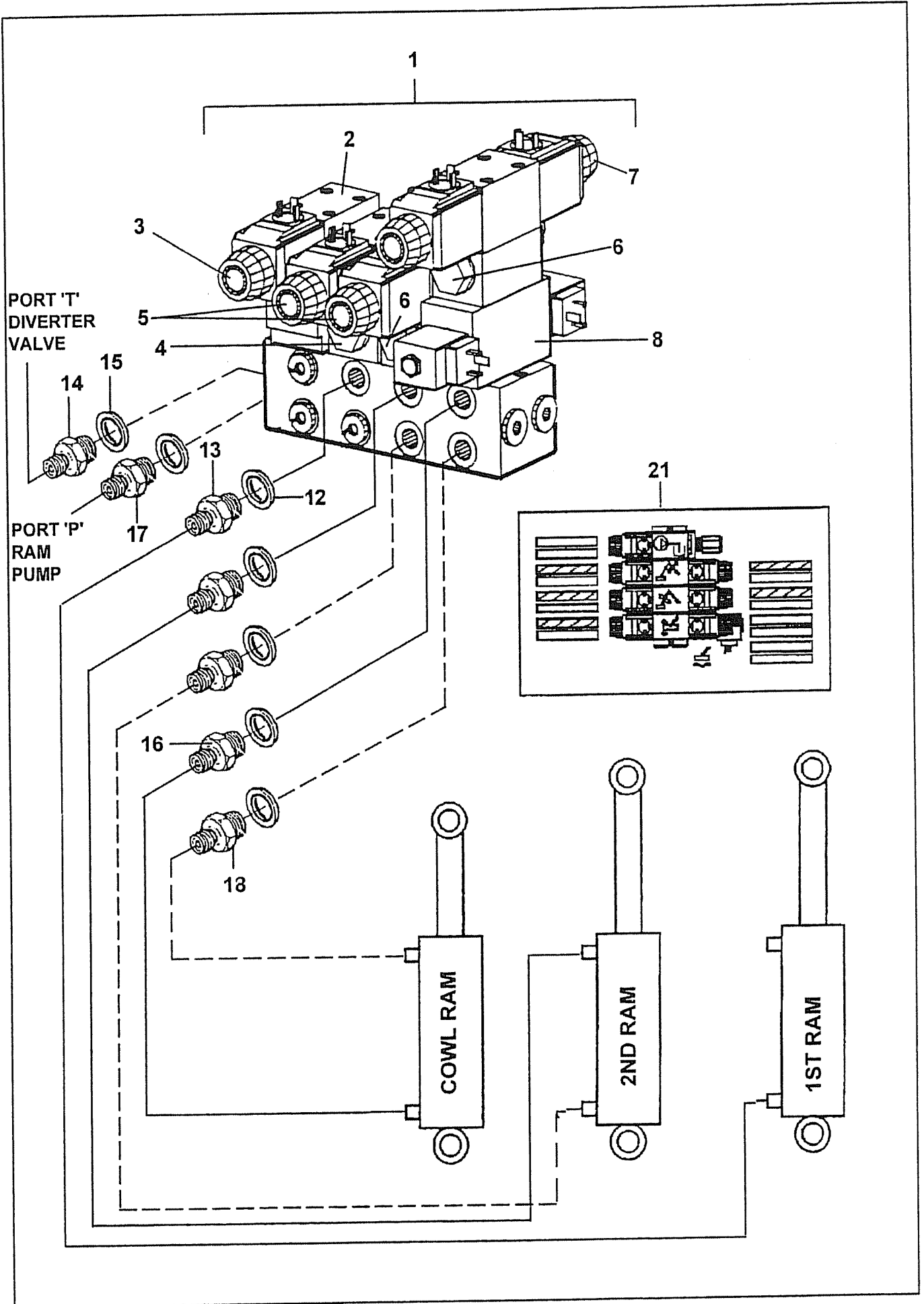
REF	PART NO	DESCRIPTION	QTY
<b>76.031.01 CONTROL VALVE ASSY-CABLE</b>			
01	01.099.03	ADAPTOR 1/2BSP X 1/4BSP	7
02	04.056.16	ADAPTOR F/M/M 3/8" X 3/8" X 1/4" BSP	1
03	05.128.01	ADAPTOR 3/4" BSP X 3/8" BSP	1
04	05.146.12	Q/R COUPLING 1/4" BSP MALE	1
05	05.290.02	BONDED SEAL 1/4"BSP	1
06	05.290.05	BONDED SEAL 1/2"BSP	7
07	05.290.06	BONDED SEAL 3/4"BSP	2
08	05.264.23	SETSCREW M12 X 30MM PLATED	2
08	05.282.03	SPRING WASHER 12MM PLATED	2
08	05.286.03	NUT M12 PLATED*	2
*08	09.680.01	PLATE - VALVE MOUNTING	1
09	0342061	SKT CAPSCREW 1/4"UNC X 3/4" BZP	8
09	05.282.02	SPRING WASHER 10MM PLATED	3
09	05.286.02	NUT M10 PLATED	3
09	05.291.18	BOLT M10 X 65 PLATED	3
*09	41335.02	VALVE ASSY-4 SPOOL	1
14	05.376.01	ADAPTOR 3/4"BSP X 1/2"BSP	1

\*MAIN PART IN GROUP, RELATED PARTS HAVE SAME REFERENCE NUMBER



REF	PART NO	DESCRIPTION	QTY
<b>74.647.02/74.647.07 REMOTE CONTROL CABLE LH/RH</b>			
20	42256.01	ARM REST - 4 LEVER	1
*21	04.282.01	STUD M8 X 196MM PLATED	3
21	05.281.01	FLAT WASHER 8MM PLATED	6
21	05.286.01	NUT M8 PLATED	3
21	05.948.07	WING NUT M8 - PLATED	3
22	04.265.88	REMOTE CONTROL ASSEMBLY- 2.5M, LG. LEVER	3
23	04.265.75	CABLE ASSY-3.0M SHORT LEVER, RED	1
24	09.916.03	DECAL - LEVER OP. 4 LEVER LH	1
24	09.916.04	DECAL - LEVER OP. 4 LEVER RH	1
<b>74.647.03 REMOTE CABLE ASSY RH DSR</b>			
20	42256.03	ARM REST - 5 LEVER	1
*21	04.282.43	STUD M8 X 240 PLATED	3
21	05.281.01	FLAT WASHER 8MM PLATED	3
21	05.286.01	NUT M8 PLATED	3
21	05.948.07	WING NUT M8 - PLATED	3
22	04.265.88	REMOTE CONTROL ASY- 2.5M, LG. LEVER	4
23	04.265.81	CABLE ASSY-3.0M SHRT LEVER, RED	1
24	09.916.02	DECAL - LEVER OP. 5 LEVER RH	1
25	41.083.01	DECAL - ROTOR REVERSING	1
26	42511.01	LEVER BALKING ASSY	1
<b>74.647.04/08 REMOTE CONTROL CABLE LH</b>			
20	42256.03	ARM REST - 5 LEVER	1
*21	04.282.43	STUD M8 X 240 PLATED	3
21	05.281.01	FLAT WASHER 8MM PLATED	3
21	05.286.04	NUT M8 PLATED	3
21	05.948.07	WING NUT M8 - PLATED	3
22	04.265.88	REMOTE CONTROL ASY- 2.5M, LG. LEVER	4
23	04.265.75	CABLE ASSY-3.0M SHRT LEVER RED	1
24	09.916.01	DECAL - LEVER OP. 5 LEVER LH	1
24	09.916.02	DECAL - LEVER OP. 5 LEVER RH	1
<b>74.647.05 REMOTE CONTROL CABLE RH</b>			
20	42256.02	ARM REST - 3 LEVER	1
*21	04.265.25	BOLT M8 X 140 PLATED	3
21	05.281.01	FLAT WASHER 8MM PLATED	6
21	05.286.04	NUT M8 PLATED	3
21	05.948.07	WING NUT M8 - PLATED	3
22	04.265.88	REMOTE CONTROL ASSY- 2.5M, LG. LEVER	3
24	09.916.13	DECAL - LEVER OP. 3 LEVER LH	1
<b>74.647.06 REMOTE CONTROL CABLE LH</b>			
20	42256.01	ARM REST - 4 LEVER	1
*21	04.282.01	STUD M8 X 196 PLATED	3
21	05.281.01	FLAT WASHER 8MM PLATED	6
21	05.286.01	NUT M8 PLATED	3
21	05.948.07	WING NUT M8 - PLATED	3
22	04.265.88	REMOTE CONTROL ASSY-2.5M, LG LEVER	4
24	09.916.15	DECAL - LEVER OP. 4 LEVER LH	1

\*MAIN PART IN GROUP, RELATED PARTS HAVE SAME REFERENCE NUMBER





REF	PART NO	DESCRIPTION	QTY
<b>76.427.01 EPP II 3 SV - HF VALVE ASSEMBLY</b>			
*01	41784.04	CONTROL VALVE 3 SERVICE	1
01	05.282.09	SPRING WASHER 5MM PLATED	4
01	30.073.93	SCREW M5 X 16MM 8.8 GRADE	4
02	41784.37	RELIEF VALVE CARTRIDGE 207 BAR	-
03	08.852.51	CETOP 3 VENT VALVE	-
04	08.852.55	CETOP 3 SINGLE PO CHECK VALVE	-
05	41784.31	SPOOL VALVE PROPORTIONAL	-
06	08.852.53	CETOP 3 DUAL PO CHECK VALVE	-
07	08.852.52	CETOP 3 MOTOR SPOOL VALVE	-
-08	41784.38	BLANKING PLUG	-
12	05.290.04	BONDED SEAL 3/8"BSP	5
13	01.099.01	ADAPTOR 3/8BSP X 1/4BSP	3
14	05.122.01	ADAPTOR 1/2" BSP X 1/2" BSP	1
15	05.290.05	BONDED SEAL 1/2"BSP	2
16	07.605.01	RESTRICTOR 3/8" X 1/4"BSP 1.00MM	1
17	05.123.01	ADAPTOR 1/2" BSP X 3/8" BSP	1
18	07.605.01	RESTRICTOR 3/8 X 1/4"BSP 1.00MM	1
21	41814.01	DECAL - 3 SERVICE	1

**FOR MACHINES WITH HEAD FLOAT**

01	41784.11	CONTROL VALVE PROPORTIONAL 3 SERVICE	1
+08	47184.43	VALVE CARTRIDGE - HEAD FLOAT	-

- *For machines without head float*

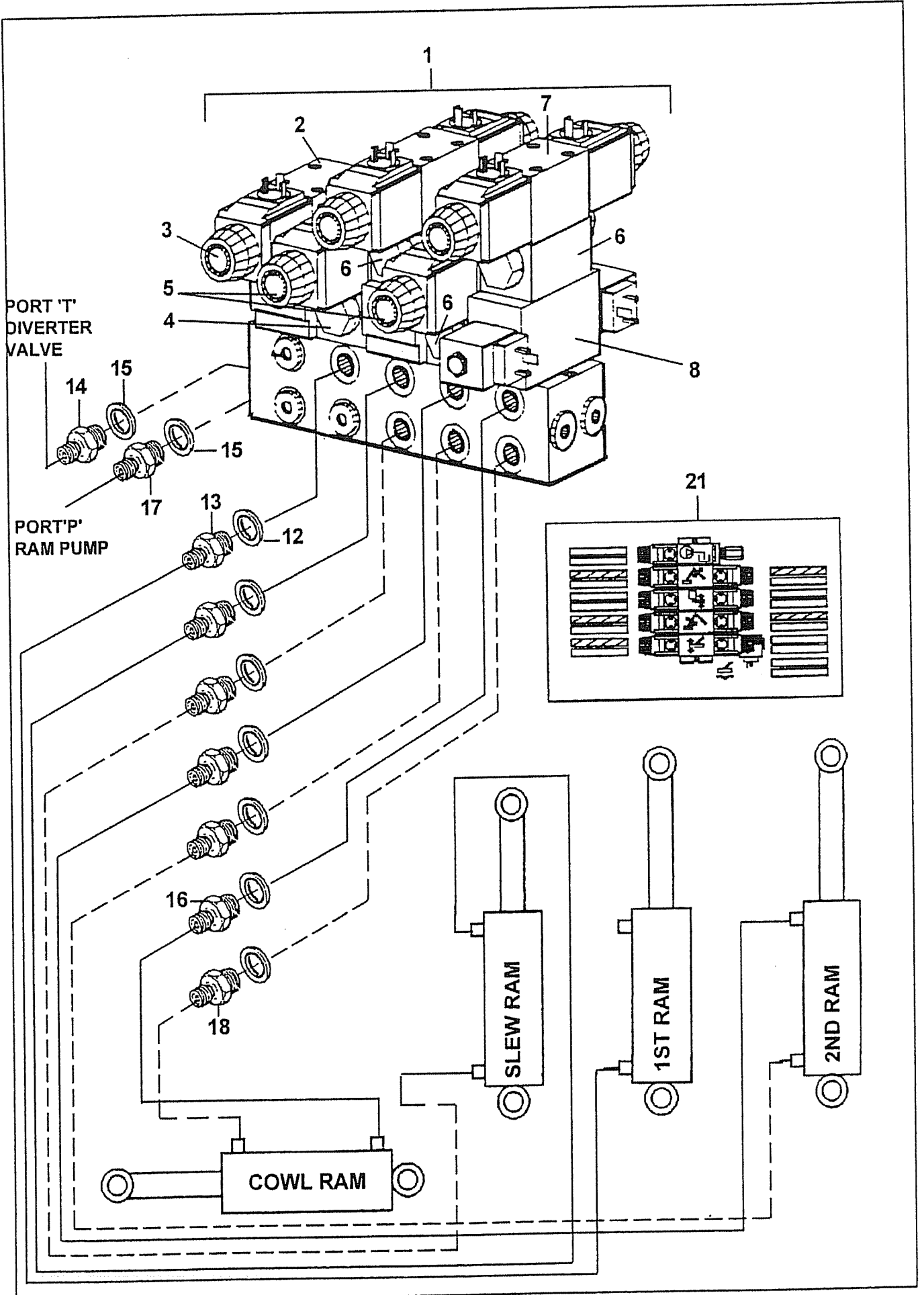
+ *For machines with head float*

**76.427.11 EPPII CONTROL VALVE INSTALLATION ASSY LH/RH**

10	41.050.01	PLATE - VALVE MOUNTING	NI	1
*11	09.750.01	VALVE COVER LH	NI	1
11	09.750.02	VALVE COVER RH	NI	1
11	05.264.01	SETSCREW M8 X 20MM PLATED		4
11	05.281.01	FLAT WASHER 8MM PLATED		4
11	05.282.01	SPRING WASHER 8MM PLATED		4

*NI = Not illustrated*

**\*MAIN PART IN GROUP, RELATED PARTS HAVE SAME REFERENCE NUMBER**



REF	PART NO	DESCRIPTION	QTY
<b>76.427.03/76.427.04 EPP II 4SV -HF VALVE ASSEMBLY</b>			
*01	41784.15	CONTROL VALVE 4 SERVICE	1
01	05.282.09	SPRING WASHER 5MM PLATED	4
01	30.073.93	SCREW M5 X 16MM 8.8 GRADE	4
02	41784.37	RELIEF VALVE CARTRIDGE 207 BAR	-
03	08.852.51	CETOP 3 VENT VALVE	-
04	08.852.55	CETOP 3 SINGLE PO CHECK VALVE	-
05	41784.31	SPOOL VALVE PROPORTIONAL	-
06	08.852.53	CETOP 3 DUAL PO CHECK VALVE	-
07	08.852.52	CETOP 3 MOTOR SPOOL VALVE	-
-08	41784.38	BLANKING PLUG	-
09	41784.39	RELIEF VALVE CARTRIDGE 136BAR	-
12	05.290.04	BONDED SEAL 3/8"BSP	7
13	01.099.01	ADAPTOR 3/8BSP X1/4BSP	5
14	05.122.01	ADAPTOR 1/2" BSP X 1/2" BSP	1
15	05.290.05	BONDED SEAL 1/2"BSP	2
16	07.605.01	RESTRICTOR 3/8" X 1/4"BSP 1.00	1
17	05.123.01	ADAPTOR 1/2" BSP X 3/8" BSP	1
18	07.605.01	RESTRICTOR 3/8 X 1/4"BSP 1.00MM	1
20	08.852.54	CETOP 3 HALF MOTOR SPOOL VALVE	-
21	41814.02	DECAL - 4 SERVICE	1

**FOR MACHINES WITH HEAD FLOAT**

01	41784.12	CONTROL VALVE PROPORTIONAL 4 SERVICE	1
+08	41784.43	VALVE CARTRIDGE - HEAD FLOAT	-

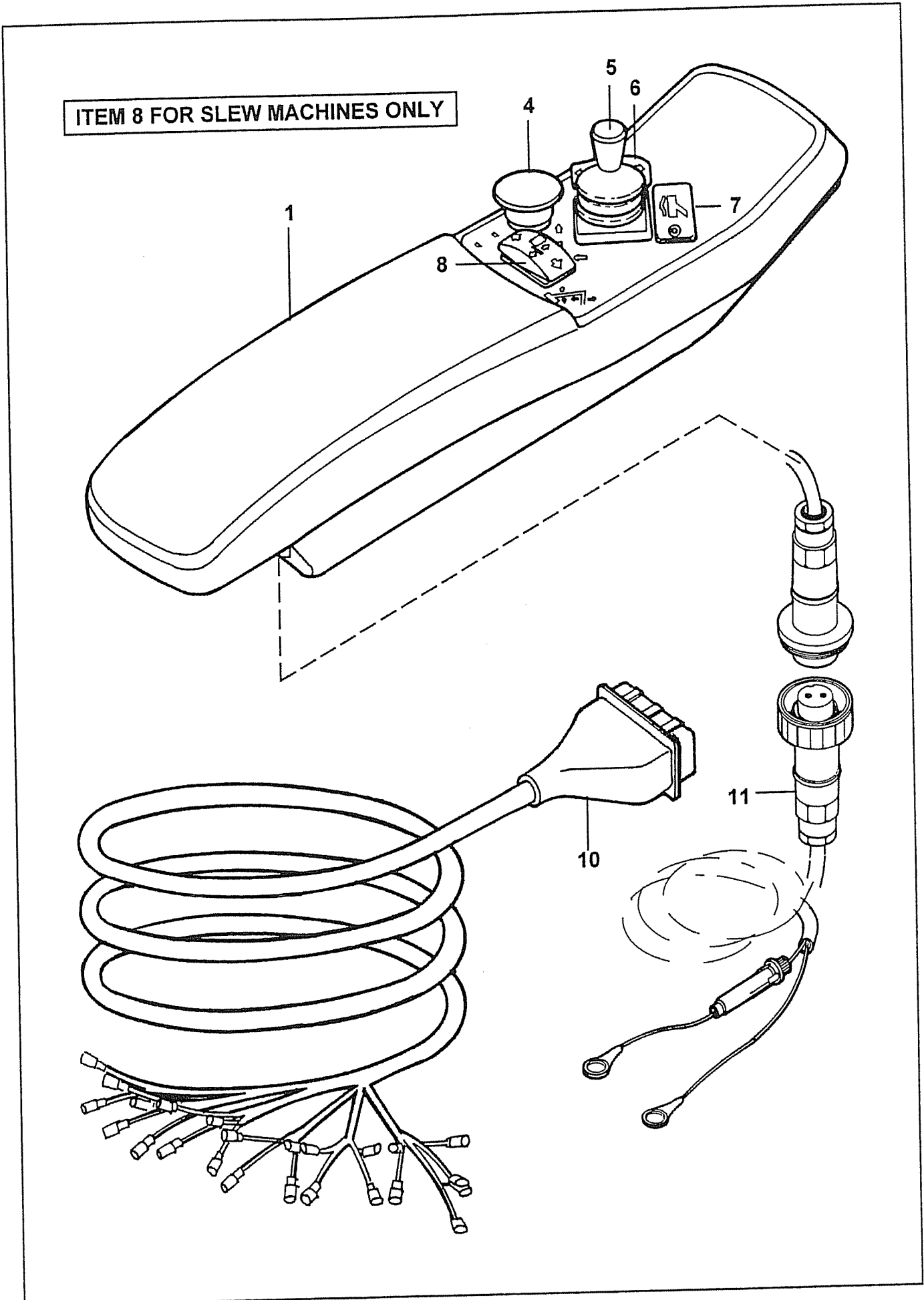
- **For machines without head float**  
 + **For machines with head float**

**76.427.10/76.427.11 EPP II CONTROL VALVE INSTALLATION ASSY LH/RH**

10	41.050.01	PLATE - VALVE MOUNTING	NI	1
*11	09.750.01	VALVE COVER LH	NI	1
11	09.750.02	VALVE COVER RH	NI	1
11	05.264.01	SETSCREW M8 X 20MM PLATED		4
11	05.281.01	FLAT WASHER 8MM PLATED		4
11	05.282.01	SPRING WASHER 8MM PLATED		4

**NI = Not illustrated**

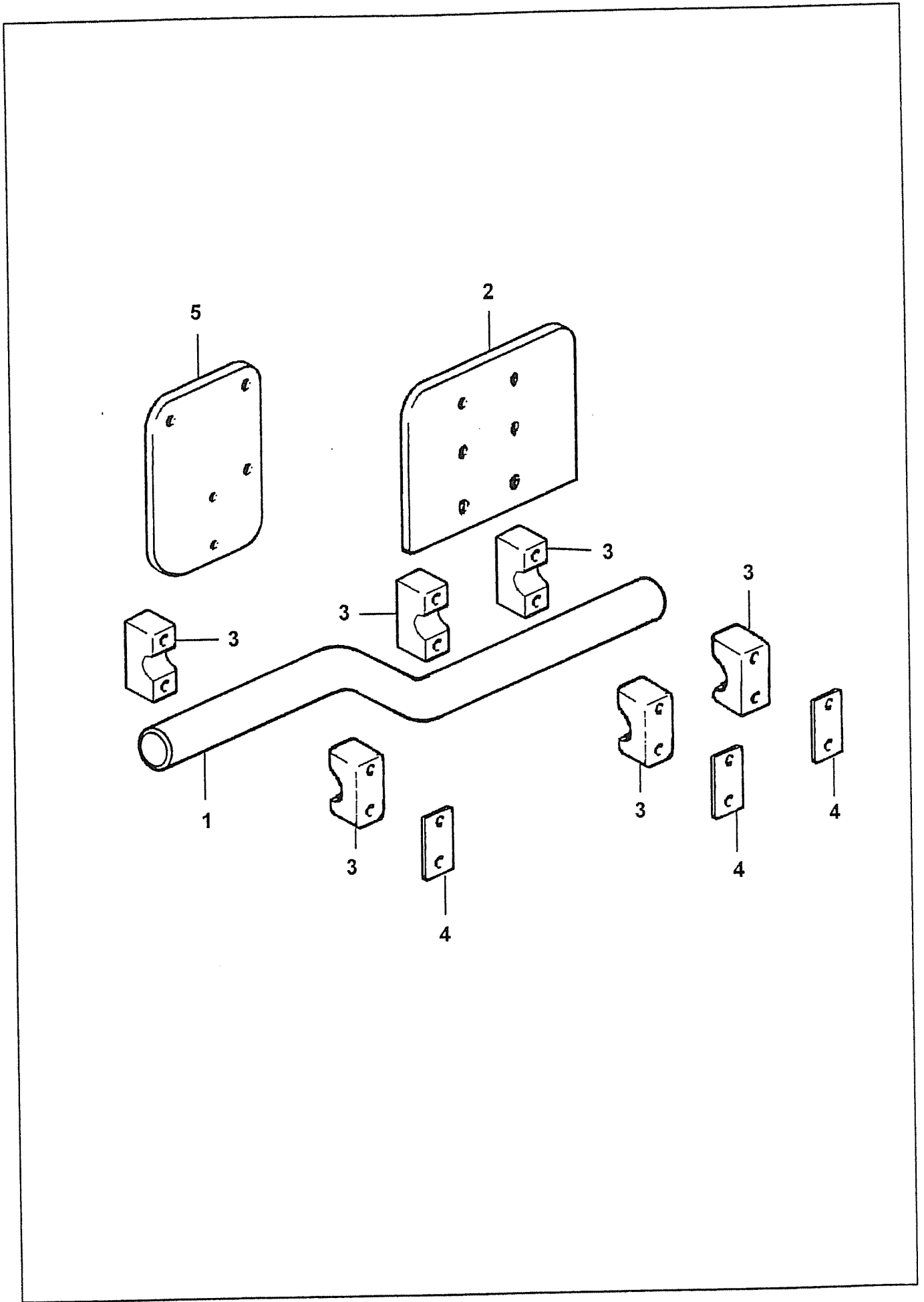
**\*MAIN PART IN GROUP, RELATED PARTS HAVE SAME REFERENCE NUMBER**



REF	PART NO	DESCRIPTION	QTY
<b>76.426.01 EPP II REMOTE CONTROL ASSY LH/RH - 3 SERVICE</b>			
*01	42226.01	CONTROL BOX 3 SERVICE LH	1
01	42226.02	CONTROL BOX 3 SERVICE RH	1
*02	42226.96	DECAL SET EPPII LH NI	-
02	42226.95	DECAL SET EPPII RH NI	-
03	42226.94	MAIN PCB ASSY EPPII NI	-
04	41786.33	STOP SWITCH	-
05	41786.34	JOYSTICK ASSY	-
06	41786.35	SWITCH ASSY COWL	-
10	42197.11	WIRE LOOM	1
11	08.987.01	CABLE ASSY - 2 CORE X 5.5M	1
<b>FOR MACHINES WITH HEAD FLOAT</b>			
*01	42226.11	CONTROL BOX 3 SERVICE LH	1
01	42226.12	CONTROL BOX 3 SERVICE RH	1
07	41786.38	SWITCH ASSY HEAD FLOAT	-
<b>76.426.05/76.426.08 EPP REMOTE CONTROL ASSEMBLY LH/RH - 4 SERVICE</b>			
*01	42226.03	CONTROL BOX 4 SERVICE LH	1
01	42226.04	CONTROL BOX 4 SERVICE RH	1
*02	42226.96	DECAL SET EPPII LH NI	-
02	42226.95	DECAL SET EPPII RH NI	-
03	42226.94	MAIN PCB ASSY EPPII NI	-
04	41786.33	STOP SWITCH	-
05	41786.34	JOYSTICK ASSY	-
06	41786.35	SWITCH ASSY COWL	-
08	41786.36	SWITCH ASSY SLEW	-
10	42197.12	WIRE LOOM	1
11	08.987.01	CABLE ASSY - 2 CORE X 5.5M HEAVY	1
<b>FOR MACHINES WITH HEAD FLOAT</b>			
*01	42226.13	CONTROL BOX 4 SERVICE LH	1
01	42226.14	CONTROL BOX 4 SERVICE RH	1
07	41786.38	SWITCH ASSY HEAD FLOAT	-

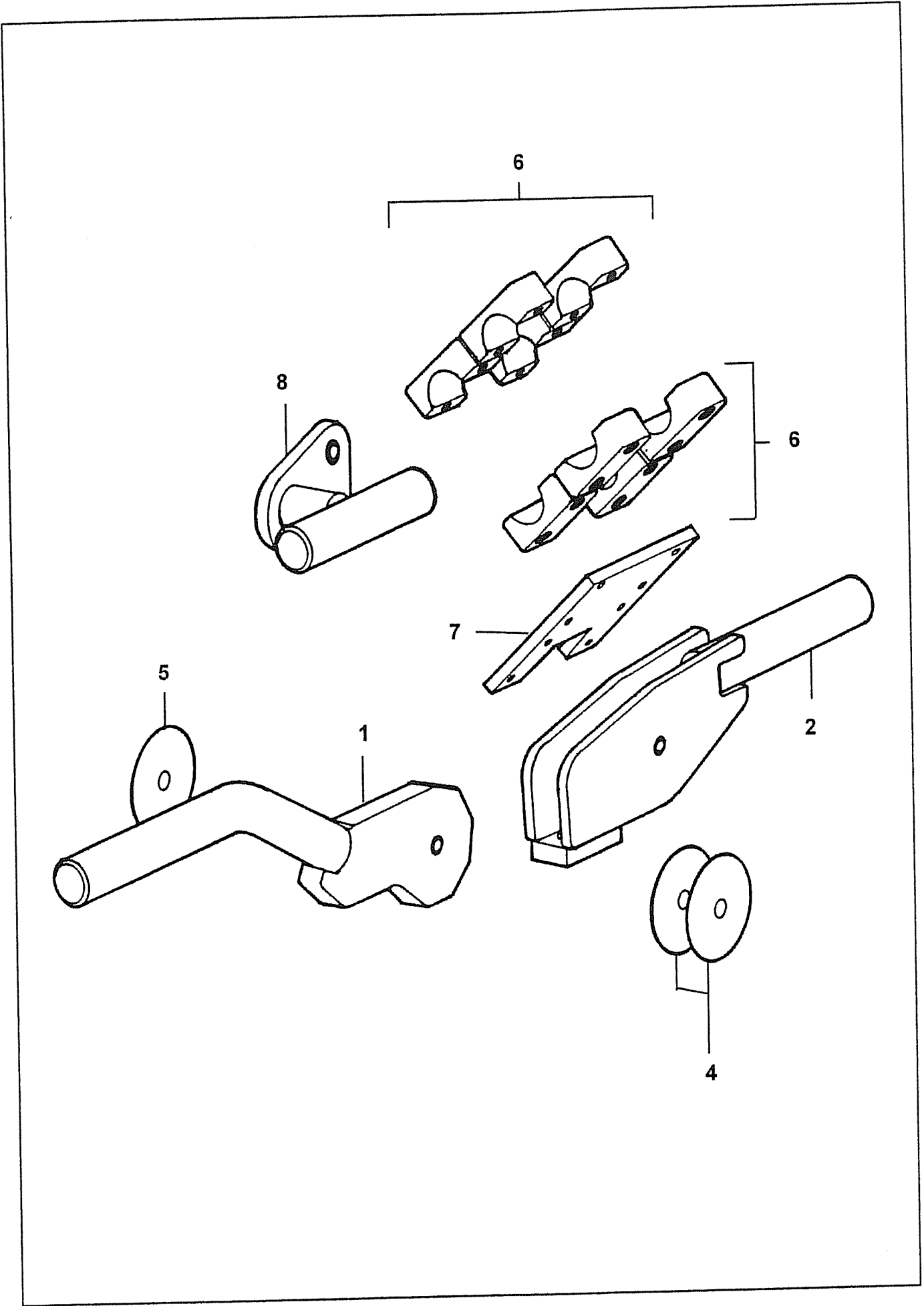
*NI = Not illustrated*

\*MAIN PART IN GROUP, RELATED PARTS HAVE SAME REFERENCE NUMBER



REF	PART NO	DESCRIPTION	QTY
<b>76.426.23 EPP II REMOTE CONTROL ASSEMBLY CAB SIDE MOUNT</b>			
01	42312.01	BRACKET - CAB MOUNTING	1
*02	08.317.01	PLATE - CONTROL BOX	1
02	05.264.02	SETSCREW M8 X 25MM PLATED	2
02	05.281.01	FLAT WASHER 8MM PLATED	2
02	05.282.01	SPRING WASHER 8MM PLATED	2
02	05.948.07	WING NUT M8 - PLATED	2
*03	30.209.71	CLAMP SINGLE 1"	6
03	30.068.90	BOLT M6 X 55 MM 8.8 GRADE Z/P.	4
03	30.070.64	NUT NYLOC M6.Z/P.	6
04	30.209.73	COVER PLATE	3
*05	41.046.01	PLATE - LEVER MOUNTING	1
05	05.282.07	SPRING WASHER 6MM PLATED	3
05	05.948.37	WINGNUT - M6 X 1.0	3
05	30.068.88	BOLT M6 X 45 MM 8.8 GRADE Z/P.	2
05	30.068.90	BOLT M6 X 55 MM 8.8 GRADE Z/P.	3

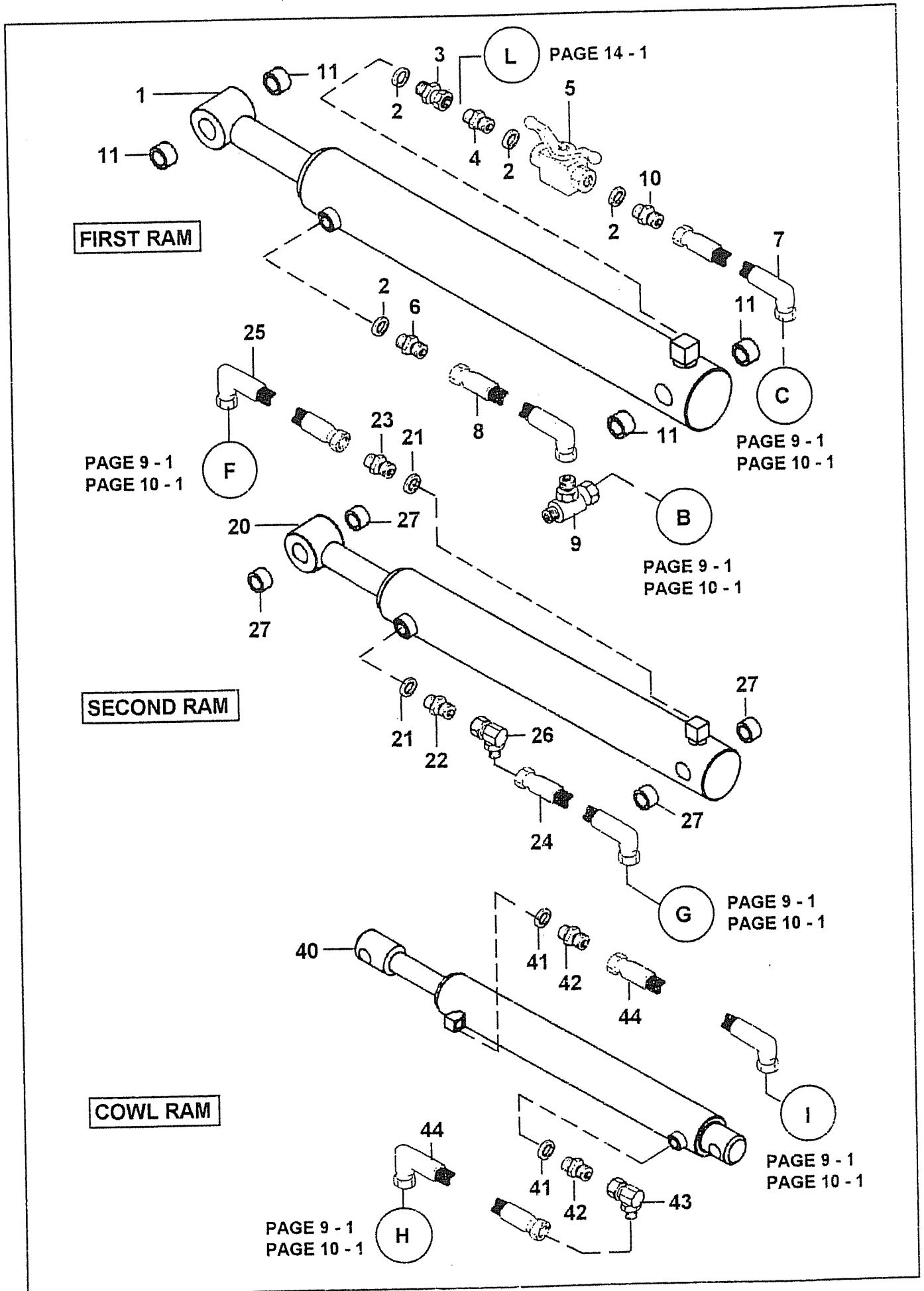
\*MAIN PART IN GROUP, RELATED PARTS HAVE SAME REFERENCE NUMBER





REF	PART NO	DESCRIPTION	QTY
<b>76.426.22 EPP II REMOTE CONTROL ASSY CAB SEAT MOUNTING</b>			
01	42310.01	BRACKET - SEAT INNER HINGE	1
*02	42311.01	BRACKET - SEAT HINGE OUTER	1
02	05.281.01	FLAT WASHER 8MM PLATED	2
02	05.282.01	SPRING WASHER 8MM PLATED	1
02	05.286.01	NUT M8 PLATED	1
02	05.291.04	BOLT M8 X 45MM PLATED	1
*03	05.264.51	SETSCREW M10 X 65MM PLATED	1
03	05.286.02	NUT M10 PLATED	2
04	09.996.01	SHIM 0.5	2
05	09.996.02	SHIM 1.0	1
*06	30.209.71	CLAMP SINGLE 1"	8
06	05.625.16	SOCKET CAP SCREW M6 X 35 COARSE	8
07	42264.01	PLATE - UNIVERSAL SEAT MTG	1
08	42307.01	BRACKET - KAB SEAT	1

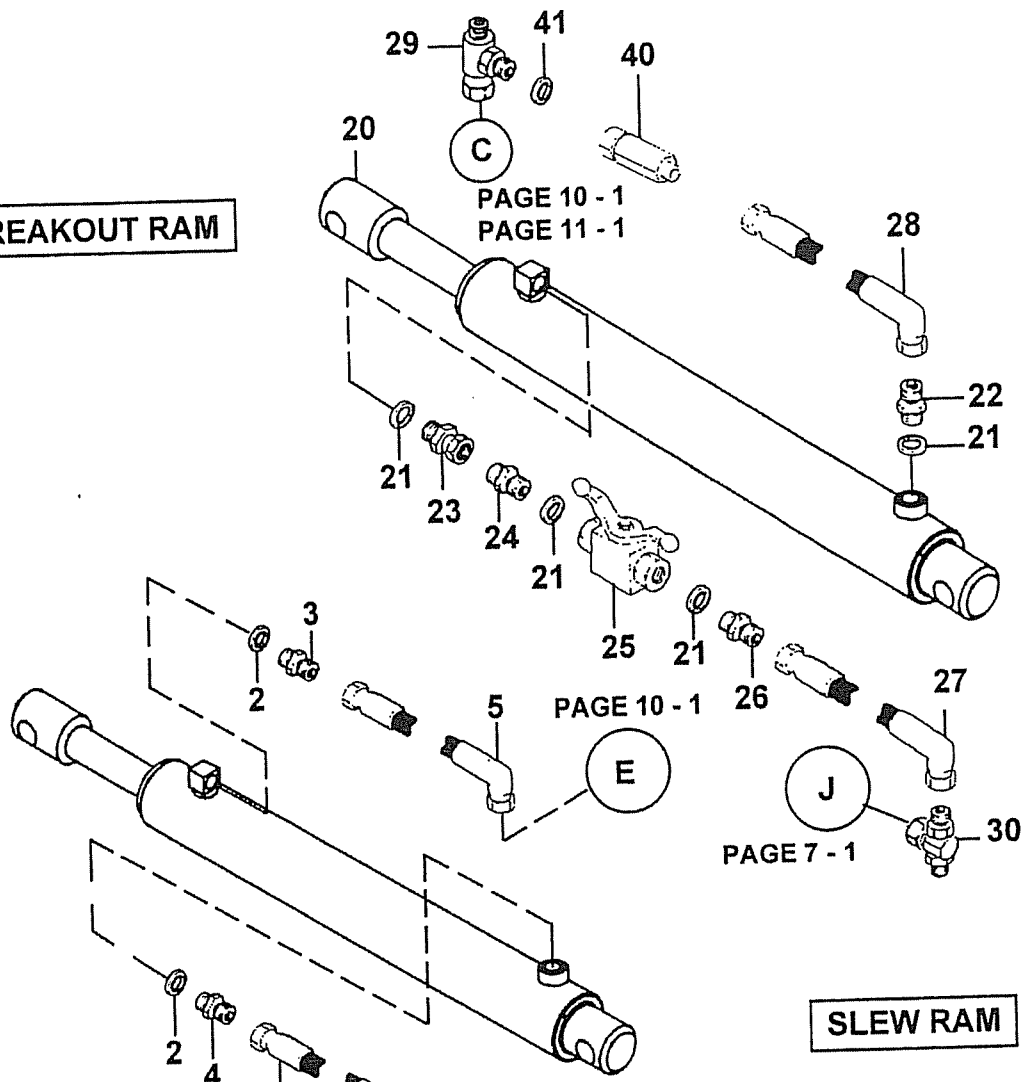
\*MAIN PART IN GROUP, RELATED PARTS HAVE SAME REFERENCE NUMBER



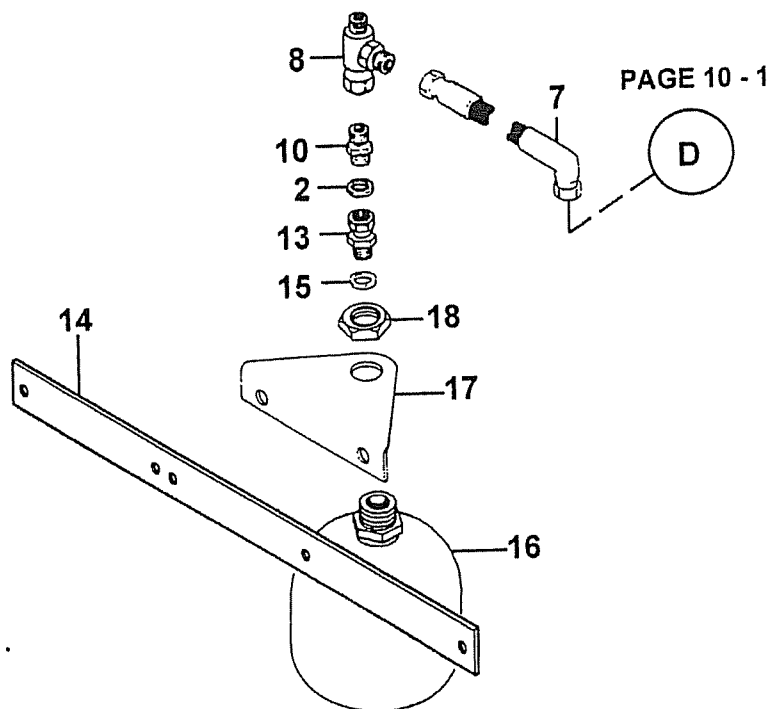
REF	PART NO	DESCRIPTION	QTY
<b>76.018.01 RAM CIRCUIT - FIRST</b>			
01	05.953.01	GREASE NIPPLE M6	2
01	09.993.01	SEAL KIT FOR 09.993.XX RAMS	-
*01	09.993.06	RAM ASSY-D/A 80 BORE X 615 STK	1
02	05.290.04	BONDED SEAL 3/8" BSP	4
03	02.714.01	ADAPTOR-SWIVEL ST 3/8" BSP M/F	1
04	05.124.01	ADAPTOR 3/8" BSP X 3/8" BSP	1
05	08.200.01	VALVE - ISOLATING 3/8" BSP	1
06	01.099.01	ADAPTOR 3/8"BSP X 1/4" BSP	1
07	10.002.46	HOSE 1/4"BSP ST X 90 S.SEAL 3600	1
08	10.002.46	HOSE 1/4"BSP ST X 90 S.SEAL 3600	1
09	04.056.25	ADAPTOR T FMM 1/2" X 1/2" X 1/4"	1
10	03.028.12	RESTRICTOR 3/8" X 1/4BSP 1.70	1
11	08.297.08	PLASTIC BUSH - 42 X 35 - 60	2
<b>74.643.02 RAM CIRCUIT - SECOND</b>			
20	05.953.01	GREASE NIPPLE M6	2
20	09.982.01	SEAL KIT FOR 09.982.XX RAMS	-
*20	09.982.12	RAM ASSY D/A 60 BORE X 430 STR	1
21	05.290.04	BONDED SEAL 3/8"BSP	2
22	01.099.01	ADAPTOR 3/8"BSP X 1/4"BSP	1
23	03.028.12	RESTRICTOR 3/8" X 1/4"BSP 1.70	1
24	10.002.46	HOSE 1/4"BSP ST X 90 S.SEAL 3600	1
25	10.002.52	HOSE 1/4"BSP ST X 90 S.SEAL 4200	1
26	05.835.04	ADAPTOR - SWIVEL 90 1/4"BSP MF	1
27	08.297.09	PLASTIC BUSH - 32 X 25 - 50	2
<b>74.644.03 RAM CIRCUIT - COWL (ELECTRIC)</b>			
40	05.953.01	GREASE NIPPLE M6	2
40	09.982.01	SEAL KIT FOR 09.982.XX RAMS	-
*40	09.982.06	RAM ASSY - D/A 60 BORE X 430 STK	1
41	05.290.04	BONDED SEAL 3/8"BSP	2
42	01.099.01	ADAPTOR 3/8" X 1/2" BSP	2
43	05.835.04	ADAPTOR - SWIVEL 90 1/4"BSP MF	1
44	10.002.80	HOSE 1/4"BSP ST X 90 S.SEAL 7000	1
<b>74.644.04 RAM CIRCUIT - COWL (CABLE)</b>			
40	05.953.01	GREASE NIPPLE M6	2
40	09.982.01	SEAL KIT FOR 09.982.XX RAMS	-
*40	09.982.06	RAM ASSY - D/A 60 BORE X 430 STK	1
41	05.290.04	BONDED SEAL 3/8"BSP	2
42	03.028.08	RESTRICTOR 3/8" X 1/4" BSP 1.27	2
43	05.835.04	ADAPTOR - SWIVEL 90 1/4"BSP MF	1
44	10.002.80	HOSE 1/4"BSP ST X 90 S.SEAL 7000	1

\*MAIN PART IN GROUP, RELATED PARTS HAVE SAME REFERENCE NUMBER

**BREAKOUT RAM**

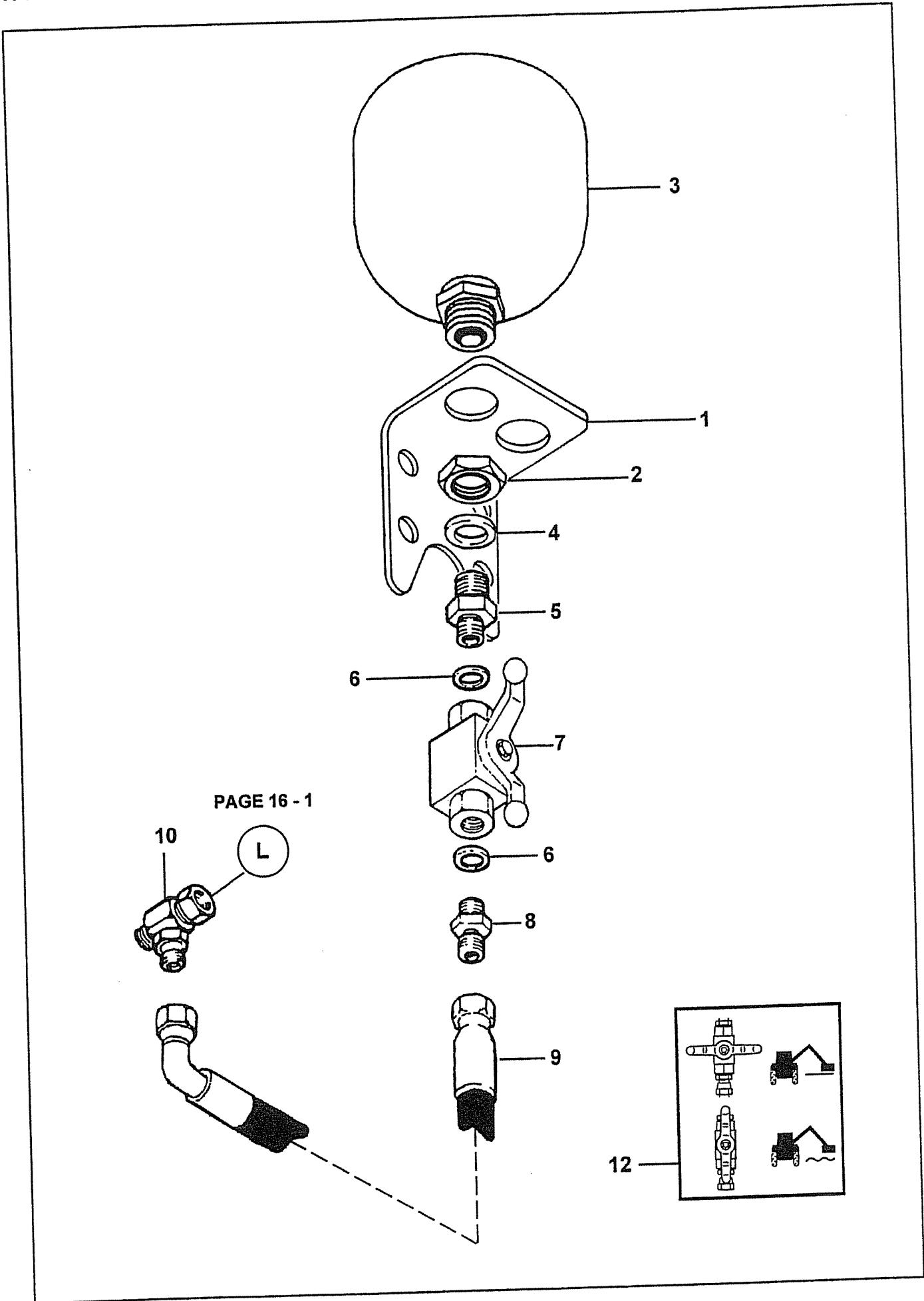


**SLEW RAM**



REF	PART NO	DESCRIPTION	QTY
<b>76.230.01 RAM CIRCUIT - BREAKOUT</b>			
20	05.953.01	GREASE NIPPLE M6	2
20	09.982.01	SEAL KIT FOR 09.982.XX RAMS	-
*20	09.982.02	RAM ASSY - D/A 60 BORE X 430ST	1
21	05.290.04	BONDED SEAL 3/8"BSP	4
22	03.028.08	RESTRICTOR 3/8" X 1/4"BSP 1.27	1
23	02.714.01	ADAPTOR-SWIVEL ST 3/8BSP M/F	1
24	05.124.01	ADAPTOR 3/8" BSP X 3/8" BSP	1
25	08.200.01	VALVE - ISOLATING 3/8" BSP	1
26	01.099.01	ADAPTOR 3/8BSP X1/4BSP	1
27	10.002.18	HOSE 1/4"BSP ST X 90 S.SEAL 900	1
28	10.002.24	HOSE 1/4"BSP ST X 90 S.SEAL 1400	1
29	04.056.29	ADAPTOR - TEE 3/8 X 1/4 X 1/4 FMM	1
30	04.056.10	ADAPTOR - TEE 1/4"BSP F/M/M	1
40	41.033.03	RELIEF VALVE ASSY 50 BAR	1
41	05.290.02	BONDED SEAL	1
<b>74.662.02 RAM CIRCUIT - SLEW</b>			
01	05.953.01	GREASE NIPPLE M6	2
01	09.982.01	SEAL KIT FOR 09.982.XX RAMS	-
*01	09.982.13	RAM ASSY - D/A 60 BORE X 430ST	1
02	05.290.04	BONDED SEAL 3/8"BSP	3
03	03.028.14	RESTRICTOR 3/8 X 1/4"BSP 0.75MM	1
04	03.028.08	RESTRICTOR 3/8" X 1/4BSP 1.27MM	1
05	10.002.24	HOSE 1/4"BSP ST X 90 S.SEAL 1400	1
06	10.002.22	HOSE 1/4"BSP ST X 90 S.SEAL 1200	1
07	10.002.10	HOSE 1/4"BSP ST X 90 S.SEAL 500	1
08	04.056.10	ADAPTOR - TEE 1/4"BSP F/M/M	1
10	03.028.08	RESTRICTOR 3/8" X 1/4"BSP 1.27	1
13	8581284	ADAPTOR M22 X 3/8"BSP MF	1
14	05.264.21	SETSCREW M12 X 20MM PLATED	2
14	05.282.03	SPRING WASHER 12MM PLATED	2
*14	09.961.01	MOUNTING BRACKET	1
15	8650322	M22 BONDED SEAL	1
16	8126043	ACCUMULATOR 1.4LT - 90 BAR	1
*17	43237.01	BRACKET - ACCUMULATOR	1
17	05.264.14	SETSCREW M10 X 35MM PLATED	2
17	05.287.02	SELF-LOCKING NUT M10 PLATED	2
18	8126035	M33 NUT, BULKHEAD	1

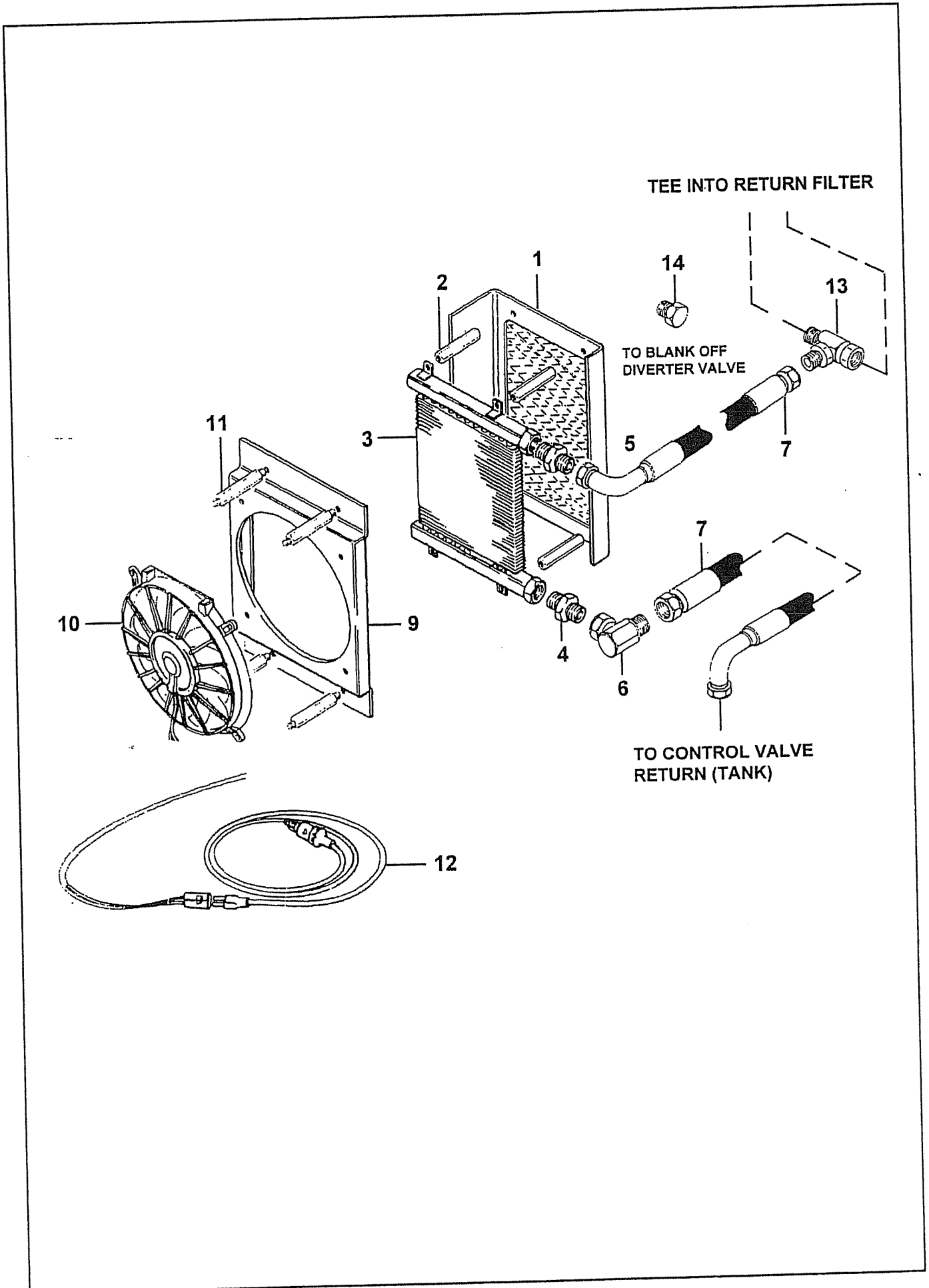
\*MAIN PART IN GROUP, RELATED PARTS HAVE SAME REFERENCE NUMBER



PAGE 16 - 1

REF	PART NO	DESCRIPTION	QTY
<b>74.727.01 ACCUMULATOR KIT</b>			
*01	43238.01	BRACKET	1
01	05.264.14	SETSCREW M10 X 35MM PLATED	4
01	05.287.02	SELF-LOCKING NUT M10 PLATED	2
02	8126035	M33 NUT, BULKHEAD	1
03	41451.02	ACCUMULATOR	1
04	05.290.05	BONDED SEAL 1/2"BSP	1
05	05.123.01	ADAPTOR 1/2" BSP X 3/8" BSP	1
06	05.290.04	BONDED SEAL 3/8"BSP	2
07	08.200.01	VALVE - ISOLATING 3/8" BSP	1
08	05.124.01	ADAPTOR 3/8" BSP X 3/8" BSP	1
09	10.004.09	HOSE 3/8"BSP ST X 90 S.SEAL 450	1
10	11.068.69	ADAPTOR-TEE 3/8F-3/8M + 3/8M	1
12	09.852.01	DECAL - ARM FLOAT	1

\*MAIN PART IN GROUP, RELATED PARTS HAVE SAME REFERENCE NUMBER

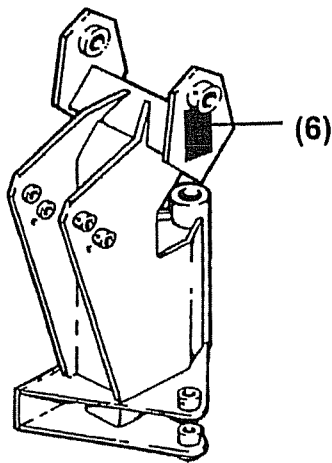
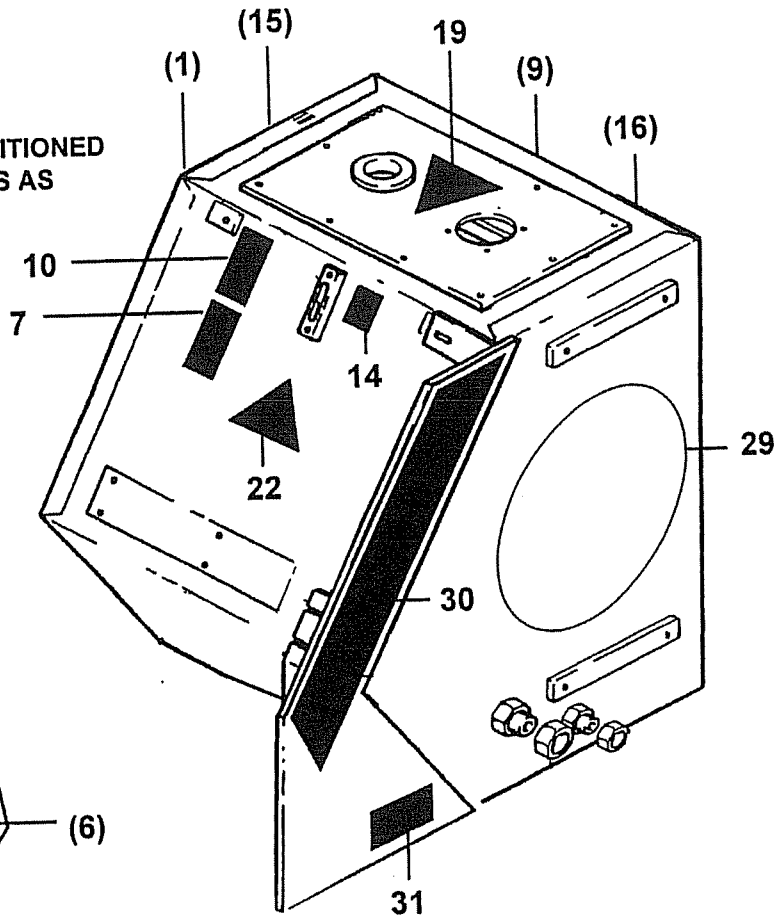




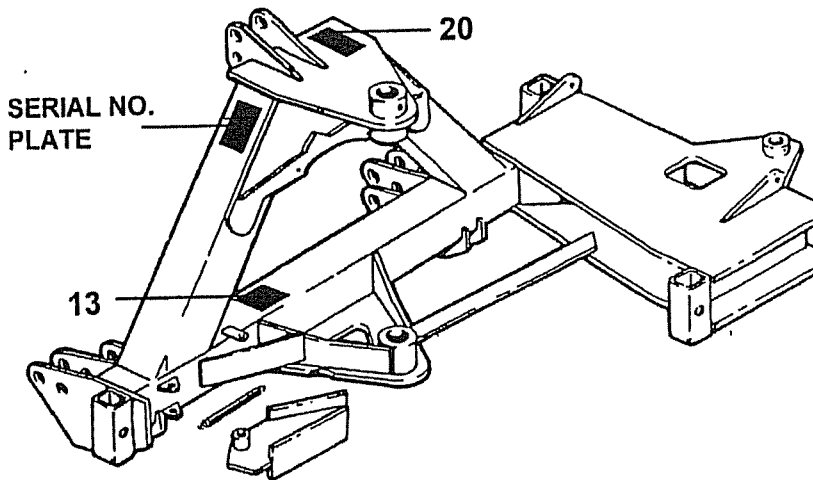
REF	PART NO	DESCRIPTION	QTY
<b>76.239.01 OIL COOLER ASSEMBLY</b>			
01	05.264.22	SETSCREW M12 X 25MM PLATED	4
01	05.281.03	FLAT WASHER 12MM PLATED	4
01	05.282.03	SPRING WASHER 12MM PLATED	4
*01	09.677.01	COVER - OIL COOLER	1
02	05.282.03	SPRING WASHER 12MM PLATED	4
02	09.676.01	SPACER - 90 X M12 PLATED	4
03	09.433.01	OIL COOLER - 370 X 305	1
04	09.436.05	ADAPTOR - 1"NPT X 1/2"BSP M/M	1
05	09.436.05	ADAPTOR - 1"NPT X 1/2"BSP M/M	1
06	05.835.05	ADAPTOR-SWIVEL 90 1/2"BSP M/F	1
07	10.006.22	HOSE 1/2"BSP STX90 S.SEAL 1200	1
09	09.900.01	BRACKET - OIL COOLER	1
10	05.264.02	SETSCREW M8 X 25MM PLATED	4
10	05.287.01	SELF-LOCKING NUT M8 PLATED	4
10	09.901.01	FAN - 12V ELECTRIC	1
11	05.282.03	SPRING WASHER 12MM PLATED	4
11	09.435.03	SPACER - 130 X M12	4
12	09.679.01	WIRE LOOM	1
13	04.056.34	ADAPTOR TEE 1" X 1" X 1/2" BSP FMM	1
14	05.433.01	PLUG 3/8"BSP PLATED	1

\*MAIN PART IN GROUP, RELATED PARTS HAVE SAME REFERENCE NUMBER

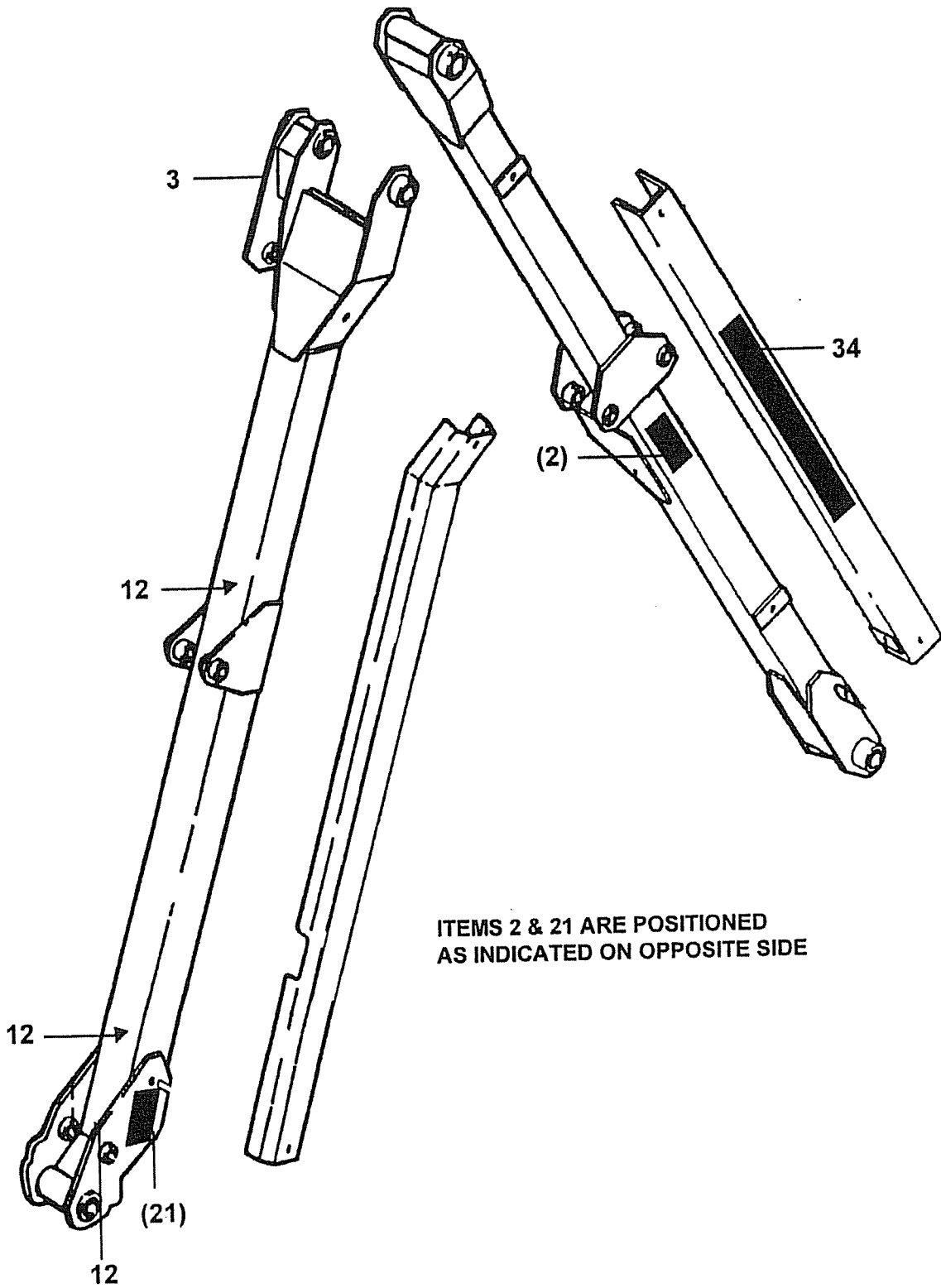
ITEMS 1, 15, 9 & 16 ARE ALL POSITIONED ON THE TOP EDGE OF THE SIDES AS INDICATED



ITEM 6 POSITIONED ON OPPOSITE SIDE AS INDICATED



REF	PART NO	DESCRIPTION	QTY
<b>74.651.01/74.651.02 DECALS</b>			
01	09.811.04	DECAL - MAX PTO SPEED 540 ACW	1
02	09.821.01	DECAL - READ INSTRUCTION BOOK	1
03	09.821.02	DECAL - STAY CLEAR O'HD CABLES	1
04	09.821.03	DECAL - DON'T STAND UNDER ARMS	1
05	08.632.01	DECAL - TRANSPORT	1
06	09.821.16	DECAL - KEEP OUT ZONE	1
07	09.821.06	DECAL - SLEW DANGER	1
08	09.821.07	DECAL - RESIDUAL PRESSURE	1
09	09.821.20	DECAL - SHAFT ENTANGLEMENT	1
10	09.821.09	DECAL - HOT SURFACE	1
11	09.821.12	DECAL - ARMS HIT CAB (REAR)	1
12	09.030.01	DECAL - OIL FILTER	1
13	09.810.01	DECAL-GREASE (8 HOURS)	14
14	09.821.23	DECAL - PINCH POINT	1
15	09.844.01	DECAL - OIL LEVEL	1
16	09.845.01	DECAL - APPROVED OILS	1
17	09.846.01	DECAL - OIL FILTER CHANGE	1
18	09.821.10	DECAL - KEEP NUTS TIGHT	1
19	09.843.06	DECAL - LIFT POINT 1500 KG	1
29	09.681.02	DECAL - DIRECTION ARROW RH	1
30	09.979.01	DECAL - BOMFORD LH	1
31	09.980.36	DECAL - B608	1



ITEMS 2 & 21 ARE POSITIONED  
AS INDICATED ON OPPOSITE SIDE

REF	PART NO	DESCRIPTION	QTY
<b>74.651.01/74.651.02 DECALS</b>			
01	09.811.04	DECAL - MAX PTO SPEED 540 ACW	1
02	09.821.01	DECAL - READ INSTRUCTION BOOK	1
03	09.821.02	DECAL - STAY CLEAR O'HD CABLES	1
04	09.821.03	DECAL - DON'T STAND UNDER ARMS	1
05	08.632.01	DECAL - TRANSPORT	1
06	09.821.16	DECAL - KEEP OUT ZONE	1
07	09.821.06	DECAL - SLEW DANGER	1
08	09.821.07	DECAL - RESIDUAL PRESSURE	1
09	09.821.20	DECAL - SHAFT ENTANGLEMENT	1
10	09.821.09	DECAL - HOT SURFACE	1
11	09.821.12	DECAL - ARMS HIT CAB (REAR)	1
12	09.030.01	DECAL - OIL FILTER	1
13	09.810.01	DECAL-GREASE (8 HOURS)	14
14	09.821.23	DECAL - PINCH POINT	1
15	09.844.01	DECAL - OIL LEVEL	1
16	09.845.01	DECAL - APPROVED OILS	1
17	09.846.01	DECAL - OIL FILTER CHANGE	1
18	09.821.10	DECAL - KEEP NUTS TIGHT	1
19	09.843.06	DECAL - LIFT POINT 1500 KG	1
29	09.681.02	DECAL - DIRECTION ARROW RH	1
30	09.979.01	DECAL - BOMFORD LH	1
31	09.980.36	DECAL - B608	1