

PM 896

B728, B588

ARM MOWER

PARTS MANUAL

ISSUE 2

IMPORTANT

NOTE HERE THE SERIAL NUMBER OF YOUR MACHINE AND ALWAYS QUOTE IT IN ANY COMMUNICATION WITH US OR YOUR DEALER. THIS IS PARTICULARLY IMPORTANT WHEN ORDERING SPARES. REMEMBER TO INCLUDE ALL NUMBERS AND LETTERS.

MACHINE SERIAL NUMBERS _____

THE INFORMATION GIVEN THROUGHOUT THIS MANUAL IS CORRECT AT THE TIME OF PUBLICATION. HOWEVER, IN THE COURSE OF CONSTANT DEVELOPMENT OF BOMFORD TURNER MACHINES, CHANGES IN SPECIFICATION ARE INEVITABLE. SHOULD YOU FIND THE INFORMATION GIVEN IN THIS BOOK TO BE AT VARIANCE WITH THE MACHINE IN YOUR POSSESSION, YOU ARE ADVISED TO CONTACT THE BOMFORD TURNER SERVICE DEPARTMENT WHERE UP-TO-DATE INFORMATION WILL BE PROVIDED.

THE MANUAL CAN CONTAIN STANDARD AND OPTIONAL FEATURES AND IS NOT TO BE USED AS A MACHINE SPECIFICATION.

THE MACHINE HAS BEEN TESTED AND IS CONSIDERED SAFE IF CAREFULLY USED. ENSURE YOUR OPERATOR IS PROPERLY TRAINED IN ITS USE AND MAINTENANCE.

IMPORTANT

NOTEZ ICI LES NUMEROS DE SERIE DE VOTRE MACHINE ET MENTIONNEZ LES DANS TOUTE COMMUNICATION AVEC NOS SERVICES OU VOTRE REVENDEUR. CECI EST IMPORTANT POUR LA COMMANDE DE PIECES DETACHEES. PENSEZ A NOTER TOUS LES NUMEROS ET TOUTES LES LETTERS.

NUMEROS DE SERIE DE LA MACHINE _____

LES INFORMATIONS DONNEES DANS CE MANUEL SONT CORRECTES CEPENDANT, DU FAIT DE DEVELOPPEMENT CONSTANT DES MACHINES BOMFORD TURNER.

CHANGEMENTS DANS LES CARACTERISTIQUES SONT INEVITABLES.

SI VOUS TROUVEZ QUE LES INFORMATIONS DONNEES NE CORRESPONDENT PAS A VOTRE MACHINE VEUILLEZ CONTACTER LE SERVICE DES REPARATIONS OU DES INFORMATIONS PLUS RECENTES VOUS SERONT DONNEES. CE MANUEL PEUT MONTRER DES CARACTERISTIQUES OPTIONNELLES ET NE PEUT PAS ETRE CONSIDERE COMME SPECIFICATION DE LA MACHINE.

CETTE MACHINE A ETE TESTEE, ET ELLE EST CONSIDEREE COMME FIABLE A CONDITION D'UNE BONNE UTILISATION. ASSUREZ-VOUS QUE VOTRE OPERATEUR EST QUALIFIE EN CE QUI CONCERNE L'UTILISATION DE LA MACHINE AINSI QUE SON ENTRETIEN.

WICHTIG

TRAGEN SIE HIER DIE SERIENNUMMERN IHRER MASCHINE EIN UND GEBEN SIE DIESE IMMER AN, WENN SIE SICH AN UNS ODER IHREN HÄNDLER WENDEN. DAS IST BESONDERS BEI ERSATZTEILBESTELLUNGEN WICHTIG. VERGESSEN SIE NICHT, ALLE ZAHLEN UND BUCHSTABEN ZU NOTIEREN.

SERIENNUMMERN DER MASCHINE _____

DIE ANGABEN IN DIESEM HANDBUCH SIND BEI VERÖFFENTLICHUNG KORREKT. AUFGRUND DER KONSTANTEN WEITERENTWICKLUNG VON BOMFORD TURNER MASCHINEN SIND JEDOCH ÄNDERUNGEN IN DER SPEZIFIKATION UNVERMEIDLICH. WENN DIE INFORMATION IN DIESEM HANDBUCH NICHT MIT IHRER MASCHINE ÜBEREINSTIMMT, NEHMEN SIE BITTE KONTAKT MIT DER BOMFORD TURNER KUNDENDIENSTABTEILUNG AUF, DIE IHNEN GERNE DIE AKTUELLEN INFORMATION ZUKOMMEN LÄSST.

DAS HANDBUCH KANN SOWOHL BESCHREIBUNGEN FÜR DIE STANDARD AUSFÜHRUNG ALS AUCH FÜR ZUBEHÖR ENTHALTEN UND IST NICHT ALS MASCHINENSPEZIFIKATION ZU VERWENDET.

DIE MASCHINE IST GETESTET UND BEI SACHGEMÄSSEM BETRIEB ALS SICHER BEFUNDEN WORDEN. SORGEN SIE DAFÜR, DASS IHR BEDIENPERSONAL IN ANWENDUNG UND WARTUNG RICHTIG GESCHULT WIRD.

FOR MACHINES WITH SERIAL NUMBERS COMMENCING FROM:

B-588..... **1261 U**
 B-728..... **1271 U**

PAGE NO.	TITLE	SCHEDULE NO
*2-1 TO 2-3	MAINFRAME	71.886.01
3-1 TO 3-2	CONTROL VALVE ASSEMBLY	71.887.01
4-1 TO 4-2	REMOTE CONTROL ASSEMBLY	71.889.01
*5-1 TO 5-3	GEARBOX/PTO ASSEMBLY	71.890.01
	PUMP ASSEMBLY	71.891.01
	PUMP CIRCUIT (B728)	71.892.01
		71.893.01
	PUMP CIRCUIT (B588)	71.894.01
		71.895.01
*6-1 TO 6-3	EXTENSION BRACKET	71.205.02
		71.223.02
	FIRST ARM	71.209.02
*7-1 TO 7-4	INTERMEDIATE BEAM	71.211.02
	SECOND ARM	71.896.01
*8-1 TO 8-3	THIRD ARM-B728	71.212.01
	COWL BRACKET LH	71.694.01
	COWL BRACKET RH	71.695.01
*9-1 TO 9-3	THIRD ARM -B588	71.225.01
	COWL BRACKET LH	71.694.01
	COWL BRACKET RH	71.695.01
*10-1 TO 10-2	RAMS/HOSES (PART 1)	71.897.01
		71.898.01
		71.899.01
11-1 TO 11-2	RAMS/HOSES (PART II)	71.897.01
		71.898.01
		71.899.01
12-1 TO 12-2	TANK	71.888.01
13-1 TO 13-2	ACCUMULATOR KIT	71.216.01
14-1 TO 14-2	DECALS - B728	71.215.03
		71.933.01
	DECALS - B588	71.226.03
		71.932.01
	HYDRAULIC RAMS	
15-1	EXTENSION RAM 02.901.33	
16-1	FIRST RAM 02.900.21	
17-1	SECOND RAM 02.901.34	
18-1	THIRD AND FOURTH RAMS 02.902.17	
19-1	AUTO - RETURN RAM 02.875.19	

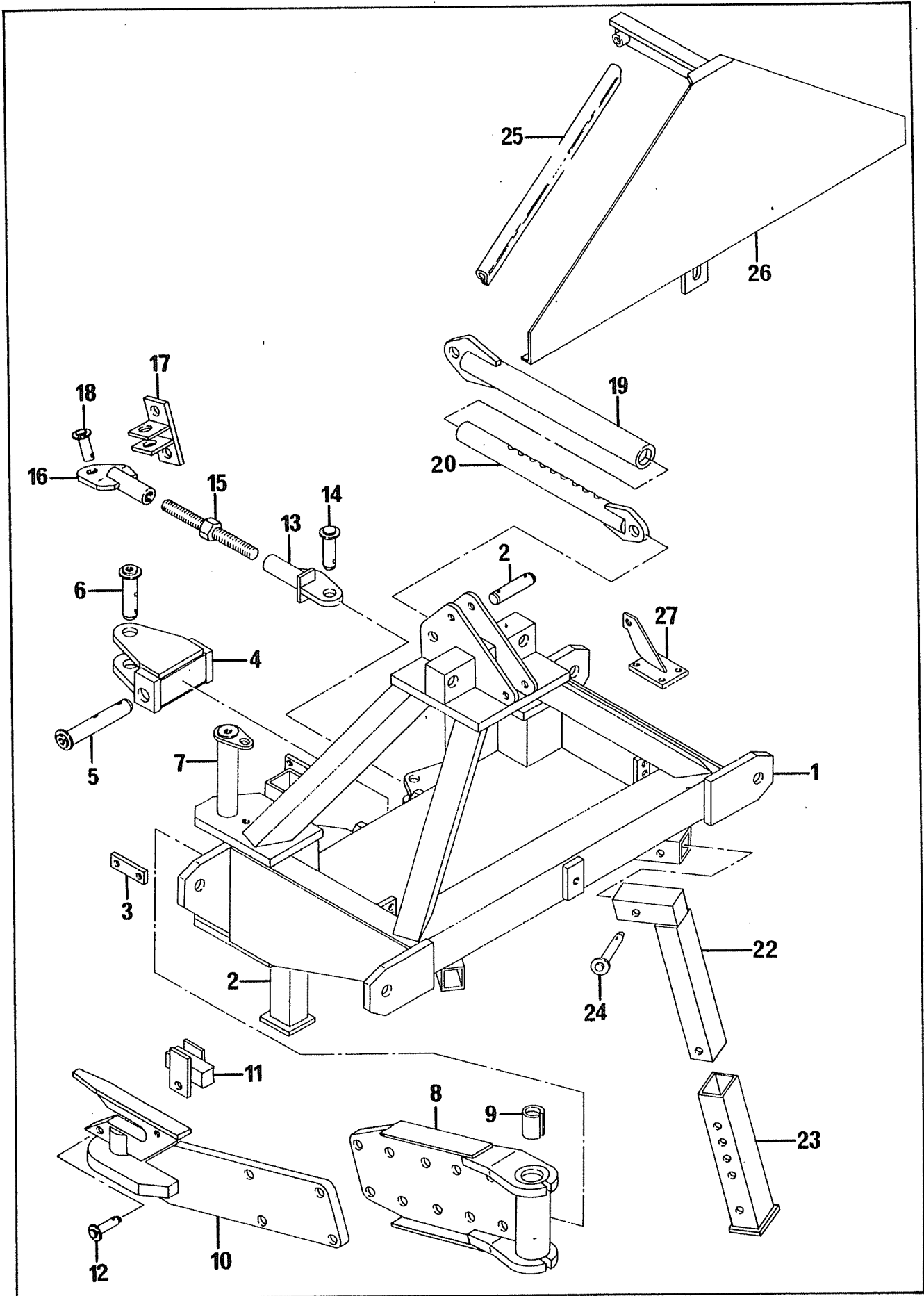
IMPORTANT

IT IS POTENTIALLY HAZARDOUS TO FIT OR USE ANY PARTS OTHER THAN GENUINE BOMFORD TURNER PARTS.

THE COMPANY DISCLAIMS ALL LIABILITY FOR THE CONSEQUENCES OF SUCH USE, WHICH IN ADDITION VOIDS THE MACHINE WARRANTY.

THIS MACHINE IS FOR VEGETATION CONTROL AND MUST NOT BE USED FOR ANY OTHER PURPOSE

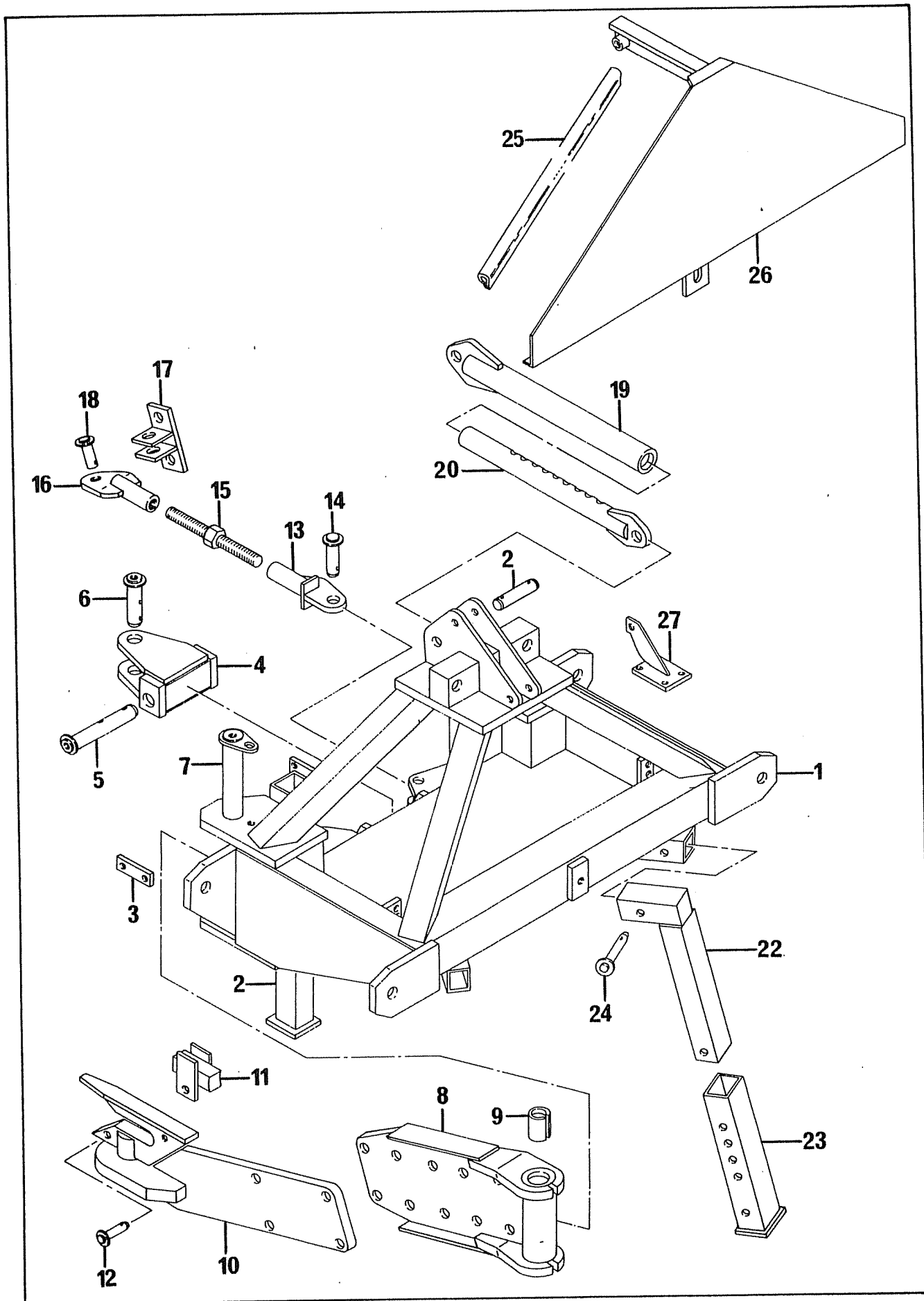
CHECK REAR OF MANUAL FOR UPDATES



71.886.01

REF	PART NO.	DESCRIPTION	QTY	SERIAL NO. FROM - TO
*01	03.643.01	MAINFRAME	1	
01	05.227.01	HAMMER DRIVE SCREW NO.6 X 3/8"	2	
01	05.774.02	SERIAL NUMBER PLATE	1	
*02	00.856.01	STAND - FRONT	2	
02	05.282.02	SPRING WASHER 10MM PLATED	2	
02	05.286.02	NUT M10 PLATED	2	
02	05.291.17	BOLT M10 X 60MM PLATED	2	
02	07.262.03	PLUG - PLASTIC 50X50 (BLACK)	2	
*03	03.811.01	PLATE - CLAMP	2	
03	05.282.02	SPRING WASHER 10MM PLATED	4	
03	05.286.02	NUT M10 PLATED	4	
03	05.292.12	BOLT M10 X 90 PLATED	4	
*04	03.644.01	YOKE BRACKET	1	
*05	03.654.01	PIN 30 DIA X 198	1	
05	03.786.02	INSTRUCTION PLATE-GREASE M10	1	
05	05.284.14	SPLIT COTTER 5MM X 40MM	1	
05	05.953.03	GREASE NIPPLE M10	1	
*06	03.654.02	PIN 30 DIA X 94	1	
06	03.786.02	INSTRUCTION PLATE-GREASE M10	1	
06	05.284.16	SPLIT COTTER 5MM X 50MM	1	
06	05.953.03	GREASE NIPPLE M10	1	
*07	03.661.01	PIN 50 DIA X 267	2	
07	03.786.02	INSTRUCTION PLATE-GREASE M10	2	
07	04.174.01	STUD M12 X 38MM	2	
07	05.281.03	FLAT WASHER 12MM PLATED	2	
07	05.953.03	GREASE NIPPLE M10	2	
07	05.968.03	SELF LOCKING NUT M12 (FINE)	2	
*08	03.660.01	PIVOT GATE	2	
*09	02.771.02	TENSION BUSH 55 X 50 X 50	4	
*10	03.752.01	MOUNTING FORK	2	
10	05.282.05	SPRING WASHER 20MM PLATED	8	
10	05.286.05	NUT M20 PLATED	8	
10	05.292.41	BOLT M20 X 80MM PLATED	8	
*11	03.719.01	CATCH PLATE	2	
12	03.255.05	CHAIN-RING ASSY	2	
*12	03.650.01	PIN 12 DIA X 63	2	
12	05.964.01	SPRING COTTER 3.6MM DIA	2	
*13	03.805.01	BRACKET-TIE ROD L.H.	2	
*14	03.652.03	PIN 20 DIA X 79	2	
14	05.284.03	SPLIT COTTER 3.2MM X 36MM	2	
*15	03.804.01	TURNBUCKLE PLATED	2	
15	05.286.06	NUT M24 PLATED	2	
*16	03.806.01	BRACKET-TIE ROD R.H.	2	
*17	03.720.01	BRACKET-TIE ROD	2	
*18	03.652.02	PIN 20 DIA X 53	2	
18	05.284.03	SPLIT COTTER 3.2MM X 36MM	2	
*19	03.789.01	STAY-MAINFRAME	1	
*20	03.790.01	STAY-MAINFRAME	1	
20	05.201.02	TENSION PIN 3/8" X 2.3/4"	1	

* MAIN PART IN GROUP, RELATED PARTS HAVE SAME REFERENCE NUMBER

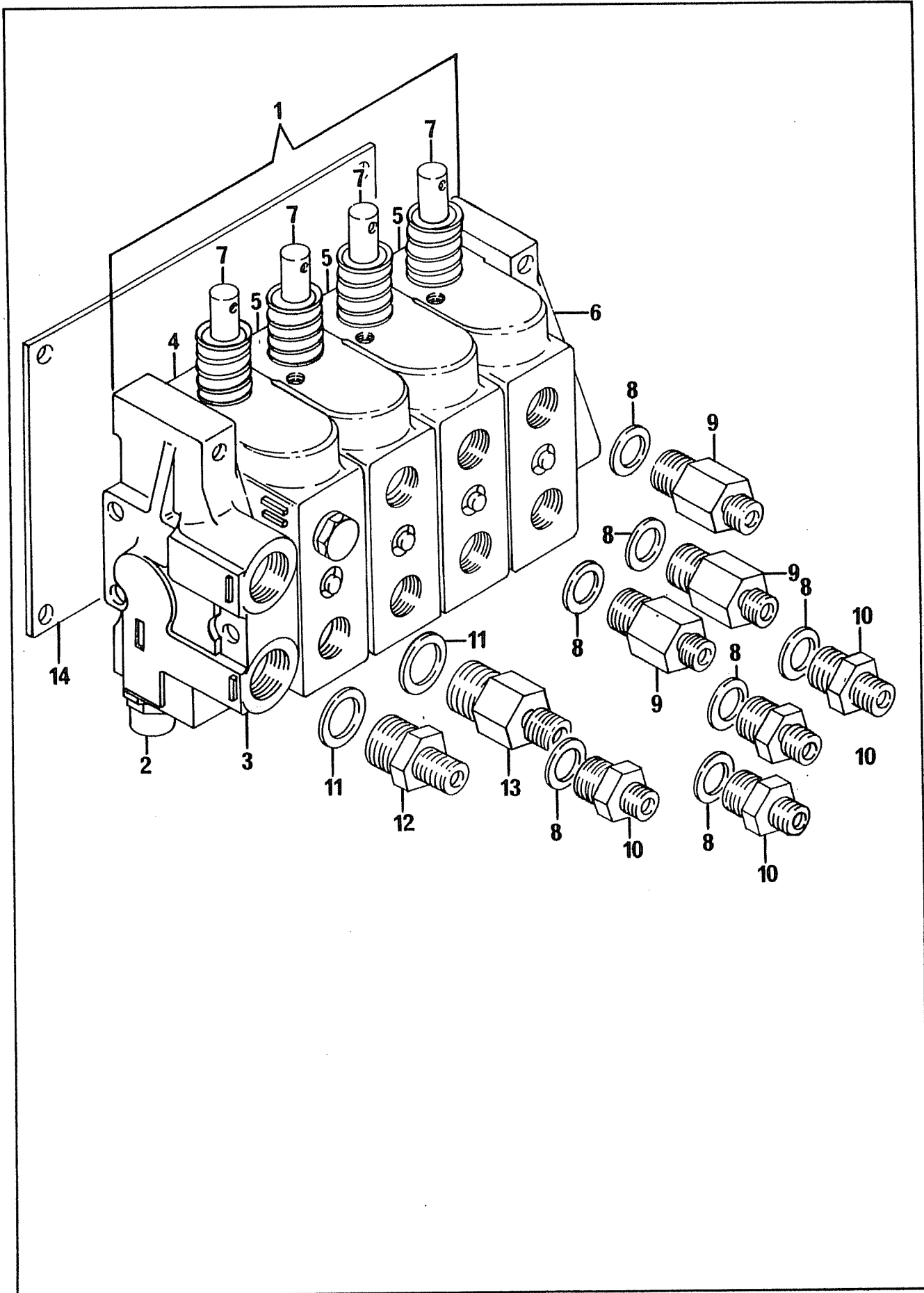


71.886.01

REF	PART NO.	DESCRIPTION	QTY	SERIAL NO. FROM - TO
*21	03.653.07	PIN 25 DIA X 90MM	1	
21	05.964.01	SPRING COTTER 3.6MM DIA	2	
*22	03.648.01	STAND-REAR (TOP)	2	
*23	03.649.01	STAND-REAR (BOTTOM)	2	
24	00.372.01	LINCH PIN	4	
*24	03.652.01	PIN 20 DIA X 90	4	
*25	03.231.03	RUBBER MOULDING - 590MM	2	
*26	04.339.01	GUARD-PUMP	1	
26	05.264.21	SETSCREW M12 X 20MM PLATED	1	
26	05.281.03	FLAT WASHER 12MM PLATED	1	
26	05.282.03	SPRING WASHER 12MM PLATED	2	
26	05.286.03	NUT M12 PLATED	1	
26	05.292.22	BOLT M12 X 90MM PLATED	1	
27	05.282.01	SPRING WASHER 8MM PLATED	2	
27	05.286.01	NUT M8 PLATED	2	
27	05.291.07	BOLT M8 X 60MM PLATED	2	
*27	07.485.01	BRACKET - VALVE	1	

* MAIN PART IN GROUP, RELATED PARTS HAVE SAME REFERENCE NUMBER

CONTROL VALVE ASSEMBLY



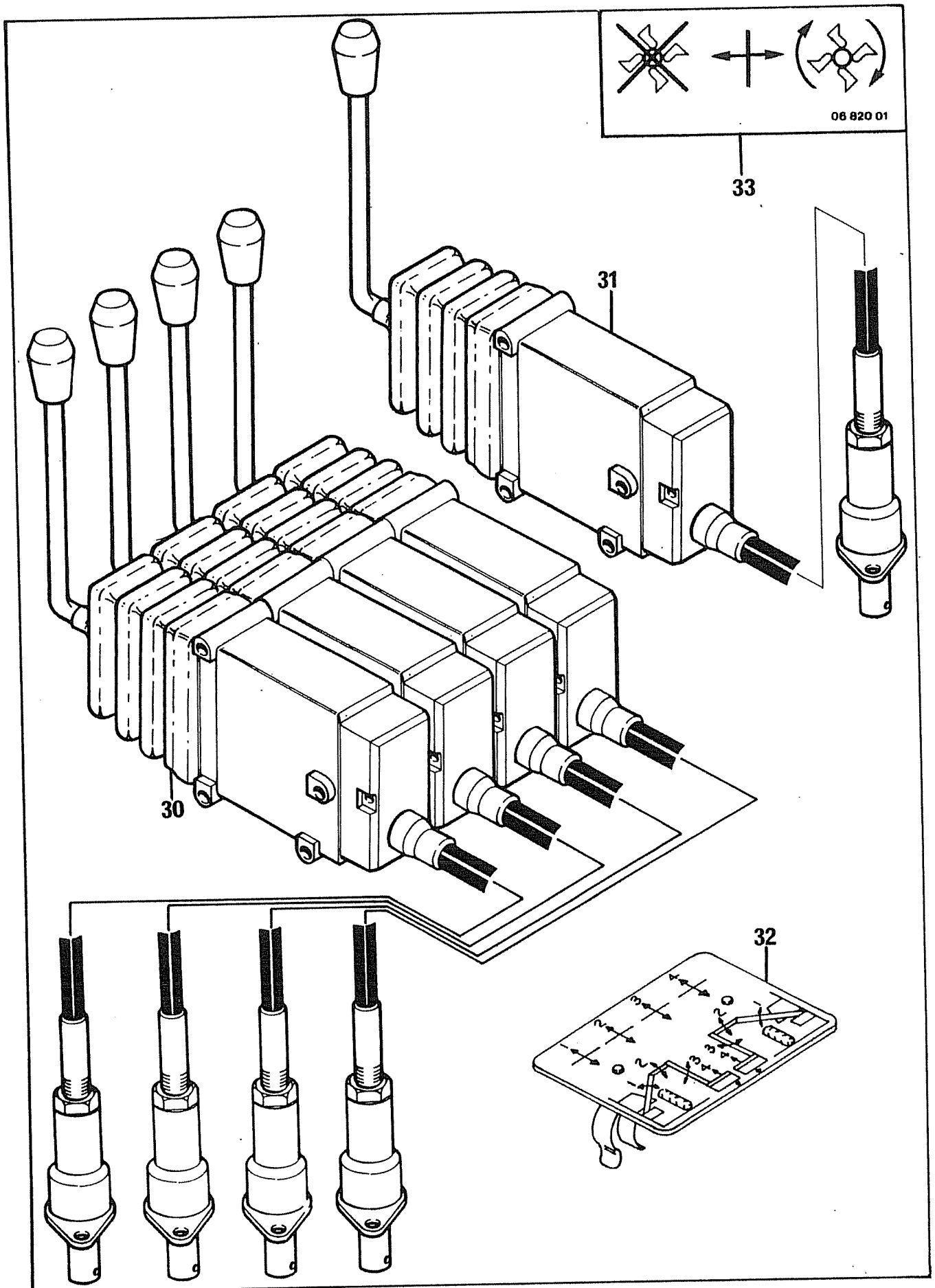
CONTROL VALVE ASSEMBLY

71.887.01

REF	PART NO.	DESCRIPTION	QTY	SERIAL NO. FROM - TO
*01	01.407.40	VALVE ASSY-4 SPOOL O.C.	1	
01	05.449.15	SEAL KIT-4 SPOOL VALVE	-	
*02	01.407.17	RELIEF VALVE CARTRIDGE	-	
*03	01.407.21	INLET COVER ASSY C/W R/V	-	
*04	01.407.26	VALVE SLICE ASSY S/A	-	
*05	01.407.14	VALVE SLICE ASSY D/A	-	
*06	01.407.15	END COVER C.C.	-	
06	01.407.20	END COVER O.C.	-	
06	05.282.02	SPRING WASHER 10MM PLATED	3	
06	05.286.02	NUT M10 PLATED	3	
06	05.291.17	BOLT M10 X 60MM PLATED	3	
*07	03.542.01	SPECIAL ADAPTOR-CABLE	-	
*08	05.290.05	BONDED SEAL 1/2"BSP	7	
*09	03.077.01	ADAPTOR 1/2" X 3/8"BSP PLATED	3	
*10	05.123.01	ADAPTOR 1/2" BSP X 3/8" BSP	4	
*11	05.290.06	BONDED SEAL 3/4"BSP	2	
*12	05.128.01	ADAPTOR 3/4" BSP X 3/8" BSP	1	
*13	05.380.01	ADAPTOR 3/4"BSPX3/8"BSP(EXTND)	1	
*14	03.638.01	BRACKET-CONTROL VALVE	1	
14	05.282.02	SPRING WASHER 10MM PLATED	1	
14	05.286.02	NUT M10 PLATED	1	
14	05.292.12	BOLT M10 X 90 PLATED	1	

* MAIN PART IN GROUP, RELATED PARTS HAVE SAME REFERENCE NUMBER.

REMOTE CONTROL ASSEMBLY



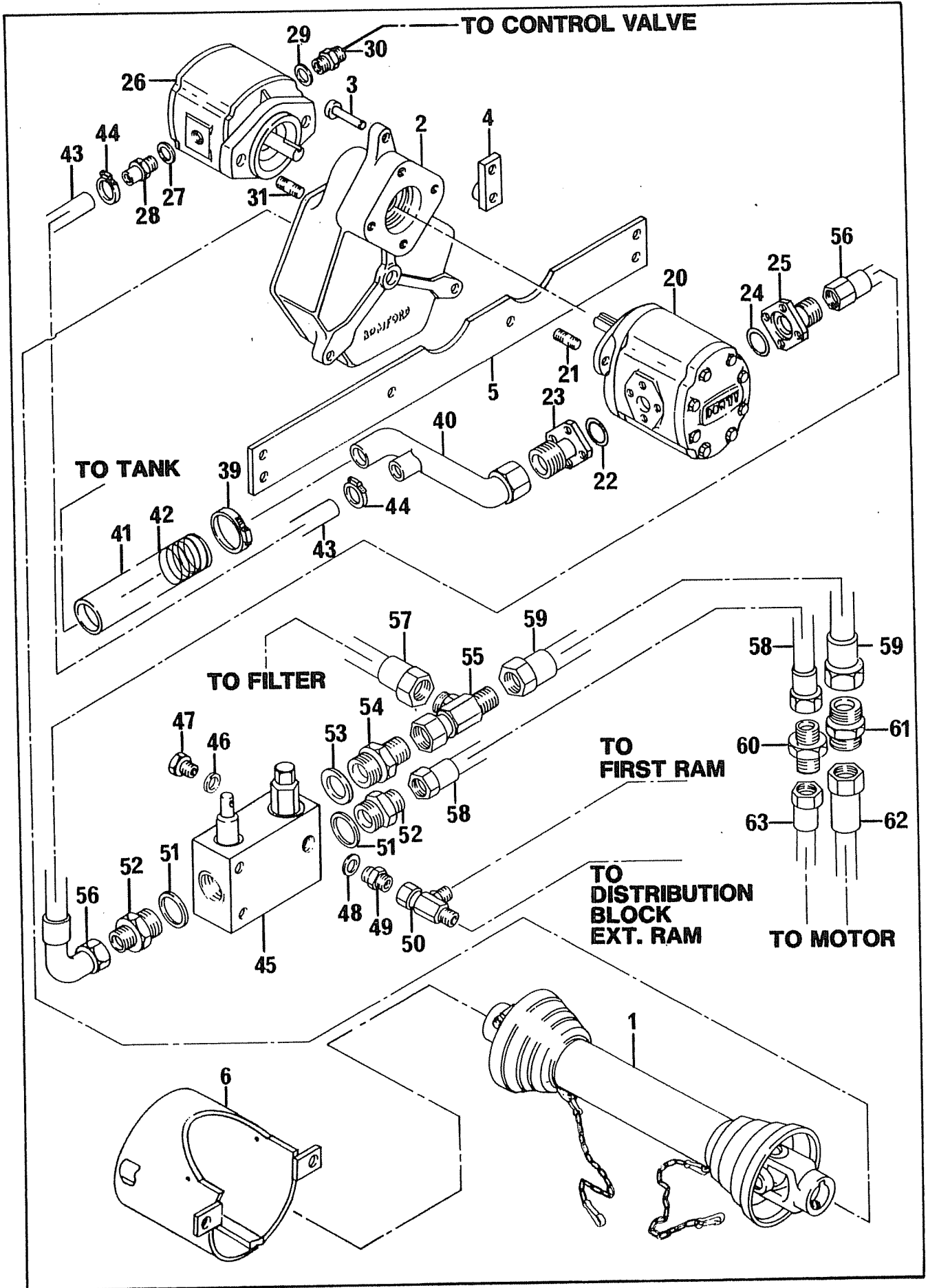
REMOTE CONTROL ASSEMBLY

71.889.01

REF	PART NO.	DESCRIPTION	QTY	SERIAL NO. FROM - TO
*30	04.265.05	REMOTE CONTROL ASSY-1 BANK 2.0M	4	
30	04.265.07	CABLE ASSY 2.0M	-	
30	04.265.08	LEVER ASSY	-	
30	04.265.11	BUSH	-	
30	04.265.19	SPRING COVER	-	
30	04.265.24	LEVER	-	
30	04.265.28	PIN	-	
30	04.282.43	STUD M8 X 240 PLATED	3	
30	05.281.01	FLAT WASHER 8MM PLATED	6	
30	05.286.01	NUT M8 PLATED	1	
30	05.625.11	SKT CAPSCRW 1/4UNC X 5/8 PLATD	8	
30	05.948.07	WING NUT M8 - PLATED	2	
31	04.265.33	CABLE ASSY 2.5M	-	
*31	04.265.35	REMOTE CONTROL ASSY-1BANK 2.5M	1	
*32	03.541.10	INSTRUCTION PLATE-RAM OP.	1	
*33	06.820.01	DECAL-ROT.SHAFT CONTROL LEVER	1	

* MAIN PART IN GROUP, RELATED PARTS HAVE SAME REFERENCE NUMBER.

PTO/GEARBOX AND PUMP ASSEMBLIES

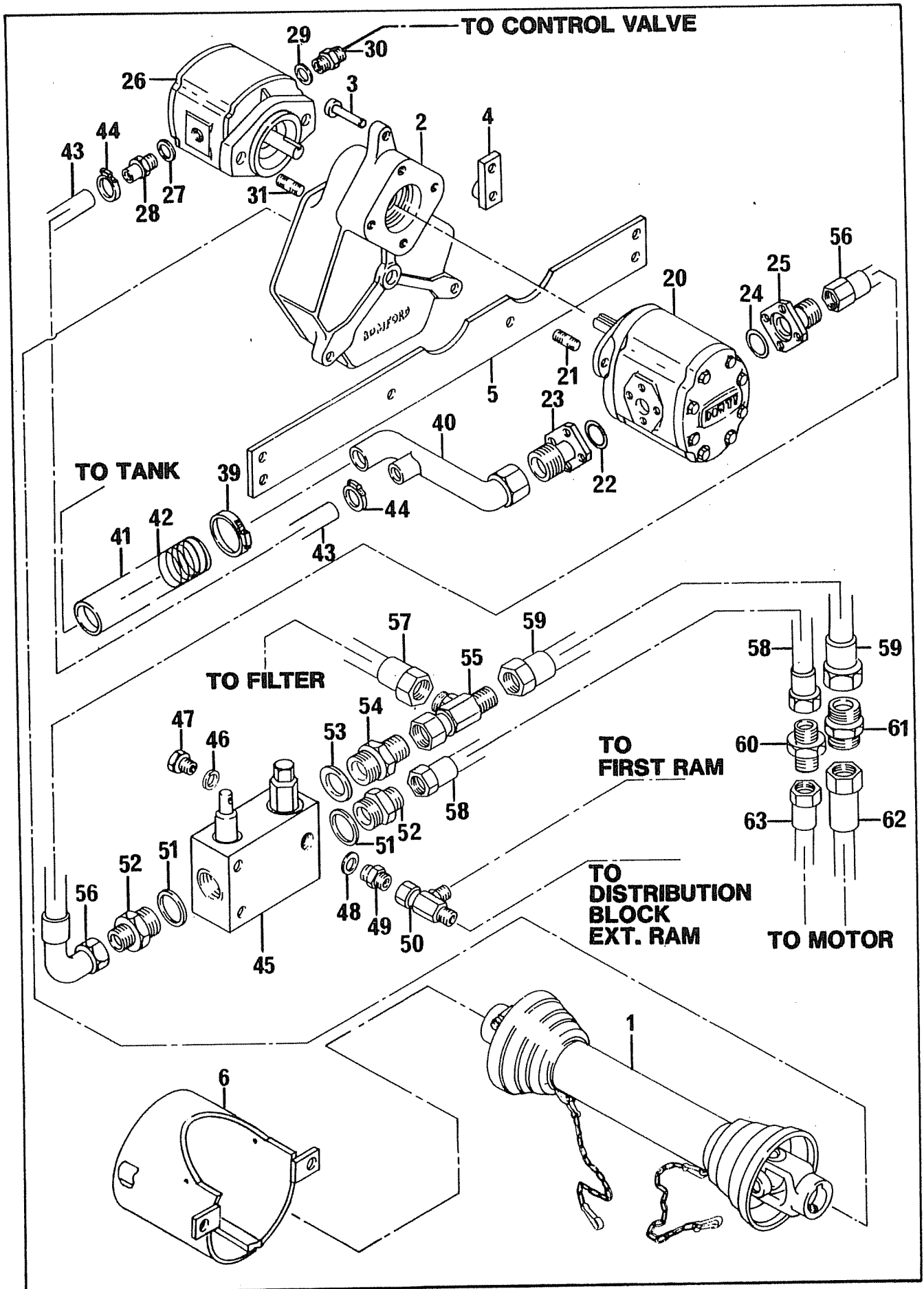


PTO/GEARBOX AND PUMP ASSEMBLIES

REF	PART NO.	DESCRIPTION	QTY	SERIAL NO. FROM - TO
71.890.01		<u>GEARBOX/PTO ASSEMBLY</u>		
01	04.402.19	PTO GUARD ASSY 460CC	-	
*01	04.402.26	PTO SHAFT ASSY 460CC	1	
01	06.154.13	PTO JOURNAL BEARING KIT	-	
*02	02.866.24	GEARBOX ASSY (TW.PUMP)	1	
02	03.620.07	SEAL KIT (03.620 & 02.866 BOX)	-	
02	05.282.03	SPRING WASHER 12MM PLATED	2	
02	05.286.03	NUT M12 PLATED	2	
02	05.291.24	BOLT M12 X 45MM PLATED	2	
*03	02.899.01	PIN 12 DIA X 48MM	1	
03	05.964.01	SPRING COTTER 3.6MM DIA	1	
*04	02.898.02	STAY - GEARBOX	1	
04	05.282.03	SPRING WASHER 12MM PLATED	1	
04	05.286.03	NUT M12 PLATED	1	
04	05.291.24	BOLT M12 X 45MM PLATED	1	
*05	03.639.01	PLATE-GEARBOX MOUNT	1	
05	05.282.03	SPRING WASHER 12MM PLATED	4	
05	05.286.03	NUT M12 PLATED	4	
05	05.291.23	BOLT M12 X 40MM PLATED	4	
06	05.264.03	SETSCREW M8 X 30MM PLATED	2	
06	05.282.01	SPRING WASHER 8MM PLATED	2	
*06	06.170.01	GUARD - PTO	1	
71.891.01		<u>PUMP ASSEMBLY</u>		
20	01.071.13	KEY-SEP 1/4"x1/4"x1"	-	
20	05.642.02	SEAL KIT (05 650 PUMPS)	-	
*20	05.650.02	PUMP ASSY (207 BAR)	1	
*21	03.100.01	STUD M10 X 34MM	2	
21	05.282.02	SPRING WASHER 10MM PLATED	2	
21	05.286.02	NUT M10 PLATED	2	
*22	05.656.01	"O"RING 28 I/D X 2.5	1	
*23	02.254.01	ADAPTOR-FLANGED 1.1/2BSP PLTED	1	
23	05.657.01	SCKT CAPSCRW 5/16"UNCX7/8" PLT	4	
*24	05.656.03	"O"RING 25 I/D X 3.53	1	
*25	03.864.01	ADAPTOR-FLANGED 3/4"BSP PLATED	1	
25	05.657.01	SCKT CAPSCRW 5/16"UNCX7/8" PLT	4	
*26	06.415.01	PUMP-SPARE ALSO SUPPLY 0716701	1	
26	06.415.02	SEAL KIT (06415 PUMP)	-	
*27	05.290.05	BONDED SEAL 1/2"BSP	1	
*28	04.244.01	ADAPTOR 1/2"BSP X 3/4"O/D	1	
*29	05.290.05	BONDED SEAL 1/2"BSP	1	
*30	05.123.01	ADAPTOR 1/2" BSP X 3/8" BSP	1	
*31	03.100.01	STUD M10 X 34MM	2	
31	05.282.02	SPRING WASHER 10MM PLATED	2	
31	05.286.02	NUT M10 PLATED	2	

* MAIN PART IN GROUP, RELATED PARTS HAVE SAME REFERENCE NUMBER

PTO/GEARBOX AND PUMP ASSEMBLIES

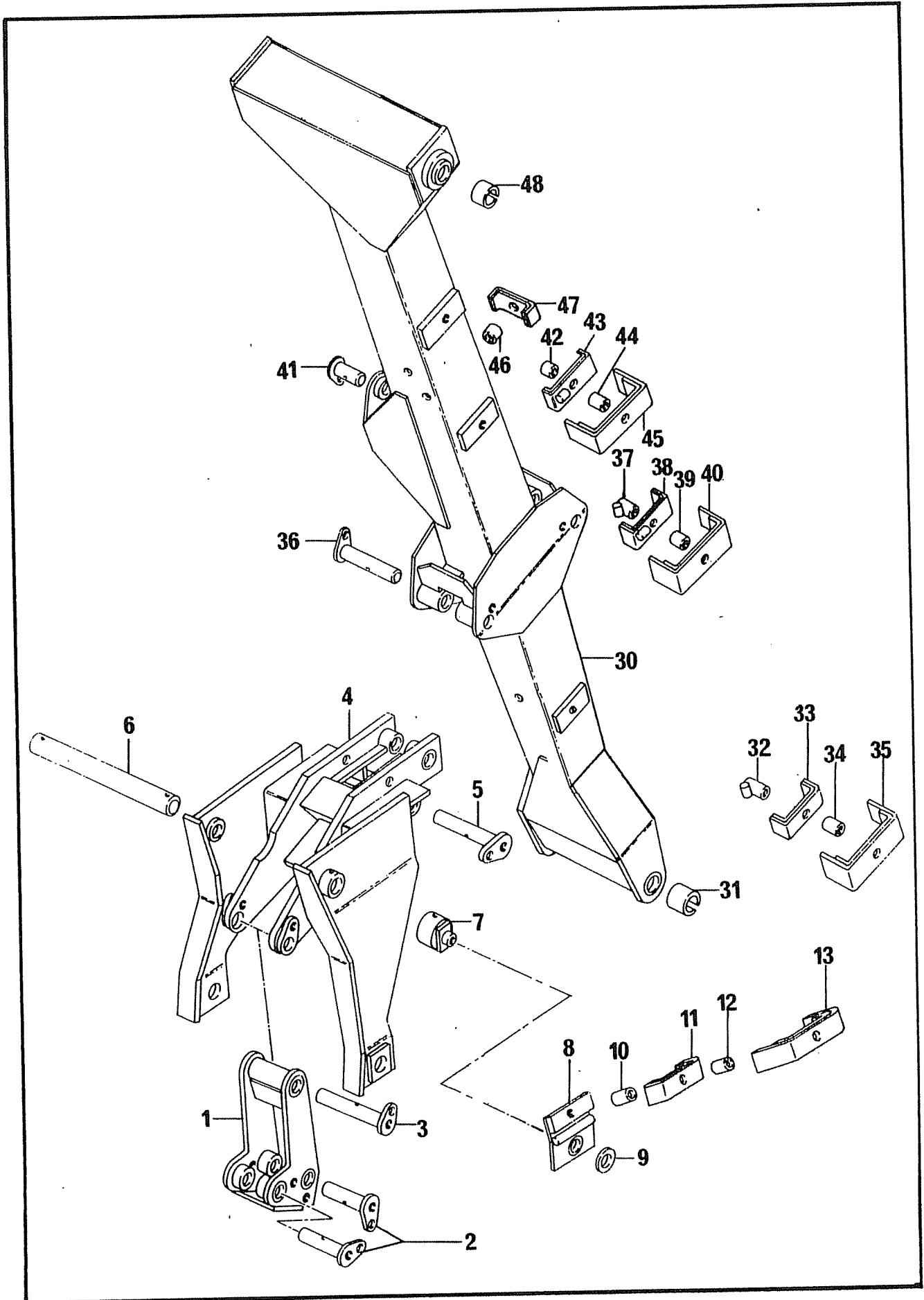


REF	PART NO.	DESCRIPTION	QTY	SERIAL NO FROM - TO
71.892.01, 71.893.01, 71.894.01, 71.895.01		<u>PUMP CIRCUIT</u>		
*39	05.863.02	JUBILEE CLIP 2" DIA	2	
*40	03.715.01	PIPE-STEEL 1.1/2" BSP X 1.1/2" O/D	1	
*41	03.049.01	HOSE 1.1/2" BORE X 220MM	1	
*42	04.337.01	SPRING-COMP. 38 O/D X 150MM	1	
*43:	05.983.14	HOSE 3/4" BORE X 1400MM	1	
*43°	05.983.09	HOSE 3/4" BORE X 650MM	1	
*44	05.863.03	JUBILEE CLIP 25MM DIA	2	
45	05.625.11	SKT CAPSCREW 1/4UNC X 5/8 PLATED	2	
*45	06.284.01	RELIEF VALVE/DIVERTER ASSY	2	
45	06.284.02	SEAL KIT FOR (06.284.01) VALVE	-	
45	06.299.03	RELIEF CARTRIDGE 207 BAR	-	
*46	05.117.01	COPPER WASHER 3/8" BSP	1	
*47	05.433.01	PLUG 3/8" BSP PLATED	1	
*48	05.290.04	BONDED SEAL 3/8" BSP	1	
*49	05.124.01	ADAPTOR 3/8" BSP X 3/8" BSP	1	
*50	11.068.69	ADAPTOR-TEE 3/8F-3/8M+3/8M	1	
*51	05.290.06	BONDED SEAL 3/4" BSP	2	
*52	05.377.01	ADAPTOR 3/4" BSP X 3/4" BSP	2	
*53	05.290.07	BONDED SEAL 1" BSP	1	
*54	05.434.01	ADAPTOR 1" BSP X 1" BSP	1	
*55	04.056.02	ADAPTOR-SWIVEL TEE 1" BSP F/M/M	1	
*56	05.994.16	HOSE 3/4" BSP X 900MM 90 X ST	1	
*57	05.996.21	HOSE 1" BSP X 1050MM 90 X ST	1	
*58	05.995.64	HOSE 3/4" BSP X 4400MM ST X ST	1	
*59	05.997.65	HOSE 1" BSP X 4500MM ST X ST	1	
*60	05.377.01	ADAPTOR 3/4" BSP X 3/4" BSP	1	
*61	05.434.01	ADAPTOR 1" BSP X 1" MM	1	
*62+	05.997.99	HOSE 1" X 3800MM ST X ST	1	
62/	05.997.96	HOSE BSP X 3100MM ST X ST	1	
*63+	05.995.98	HOSE 3/4" BSP X 3800MM ST X ST	1	
63/	05.995.95	HOSE 3/4" BSP X 3100MM ST X ST	1	

+ B728 MACHINES ONLY
/ B588 MACHINES ONLY
: LH MACHINES ONLY
° RH MACHINES ONLY

* MAIN PART IN GROUP, RELATED PARTS HAVE SAME REFERENCE NUMBER

FIRST ARM AND EXTENSION BRACKET



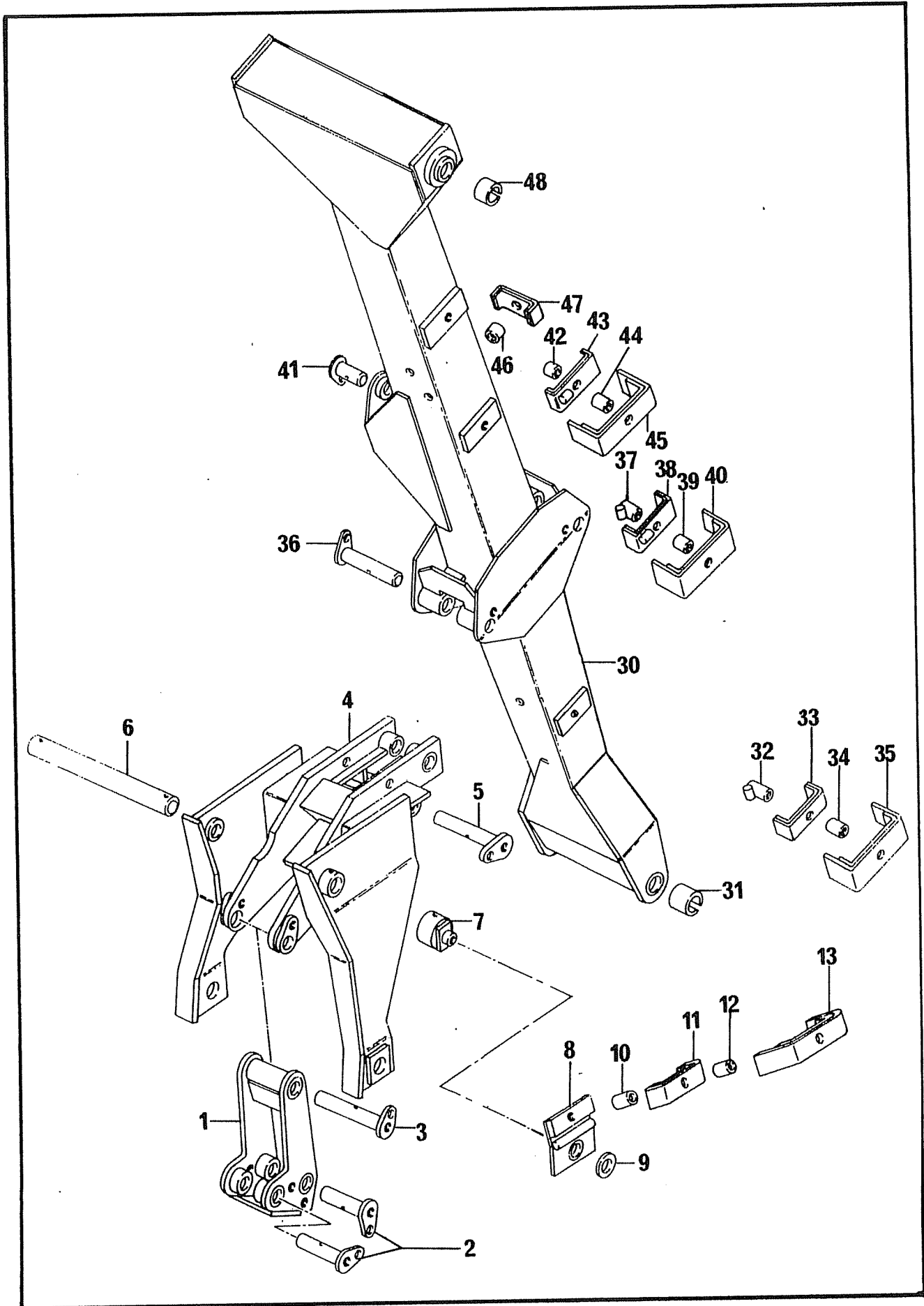
FIRST ARM AND EXTENSION BRACKET

REF	PART NO.	DESCRIPTION	QTY	SERIAL NO. FROM - TO
71.205.02, 71.223.02		<u>EXTENSION BRACKET</u>		
*01	03.635.01	BRACKET-FIRST RAM	1	
+01	06.026.01	BRACKET-FIRST RAM	-	
*02	02.844.03	PIN 40 DIA X 128 (HARDENED)	2	
02	03.786.02	INSTRUCTION PLATE-GREASE M10	2	
02	04.174.01	STUD M12 X 38MM	2	
02	05.281.03	FLAT WASHER 12MM PLATED	2	
02	05.953.03	GREASE NIPPLE M10	2	
02	05.968.03	SELF LOCKING NUT M12 (FINE)	2	
*03	03.656.10	PIN 40 DIA X 202MM	1	
03	03.786.02	INSTRUCTION PLATE-GREASE M10	1	
03	05.264.23	SETSCREW M12 X 30MM PLATED	1	
03	05.281.03	FLAT WASHER 12MM PLATED	1	
03	05.282.03	SPRING WASHER 12MM PLATED	1	
03	05.953.03	GREASE NIPPLE M10	1	
*04	04.407.01	BRACKET-MAIN FRAME EXT.	1	
04	05.282.06	SPRING WASHER 24MM	3	
04	05.285.04	BOLT M24 X 100MM	2	
04	05.285.08	BOLT M24 X 200MM	1	
04	05.286.06	NUT M24	5	
*05	02.836.01	PIN 40 DIA X 173MM	1	
05	03.786.02	INSTRUCTION PLATE-GREASE M10	1	
05	04.174.01	STUD M12 X 38MM	1	
05	05.281.03	FLAT WASHER 12MM PLATED	1	
05	05.953.03	GREASE NIPPLE M10	1	
05	05.968.03	SELF LOCKING NUT M12 (FINE)	1	
*06	02.815.03	PIN 50 DIA X 421MM	1	
*07	03.739.01	BRACKET-HOSE GUIDE	1	
07	05.282.03	SPRING WASHER 12MM PLATED	1	
07	05.286.03	NUT M12 PLATED	1	
07	05.292.22	BOLT M12 X 90MM PLATED	1	
*08	04.486.01	BRACKET-HOSE CLAMP	1	
*09	02.824.01	WASHER 50 O/DX13 I/DX5MM	1	
09	05.264.22	SETSCREW M12 X 25MM PLATED	1	
09	05.282.03	SPRING WASHER 12MM PLATED	1	
*10	03.040.02	SPACER 3/4"O/DX13MM I/DX36MM	1	
10	04.282.11	STUD M12 X 120MM	1	
*11	04.492.01	HOSE CLAMP	1	
11	05.286.03	NUT M12 PLATED	1	
*12	03.839.02	SPACER 3/4"O/D X 1/2" I/D X31MM	1	
*13	04.496.01	HOSE CLAMP	1	
13	05.281.03	FLAT WASHER 12MM PLATED	1	
13	05.282.03	SPRING WASHER 12MM PLATED	1	
13	05.286.03	NUT M12 PLATED	1	

+ FITTED AS STANDARD ON B588 MACHINES, OPTION FOR B728 MACHINES

* MAIN PART IN GROUP, RELATED PARTS HAVE SAME REFERENCE NUMBER

FIRST ARM AND EXTENSION BRACKET

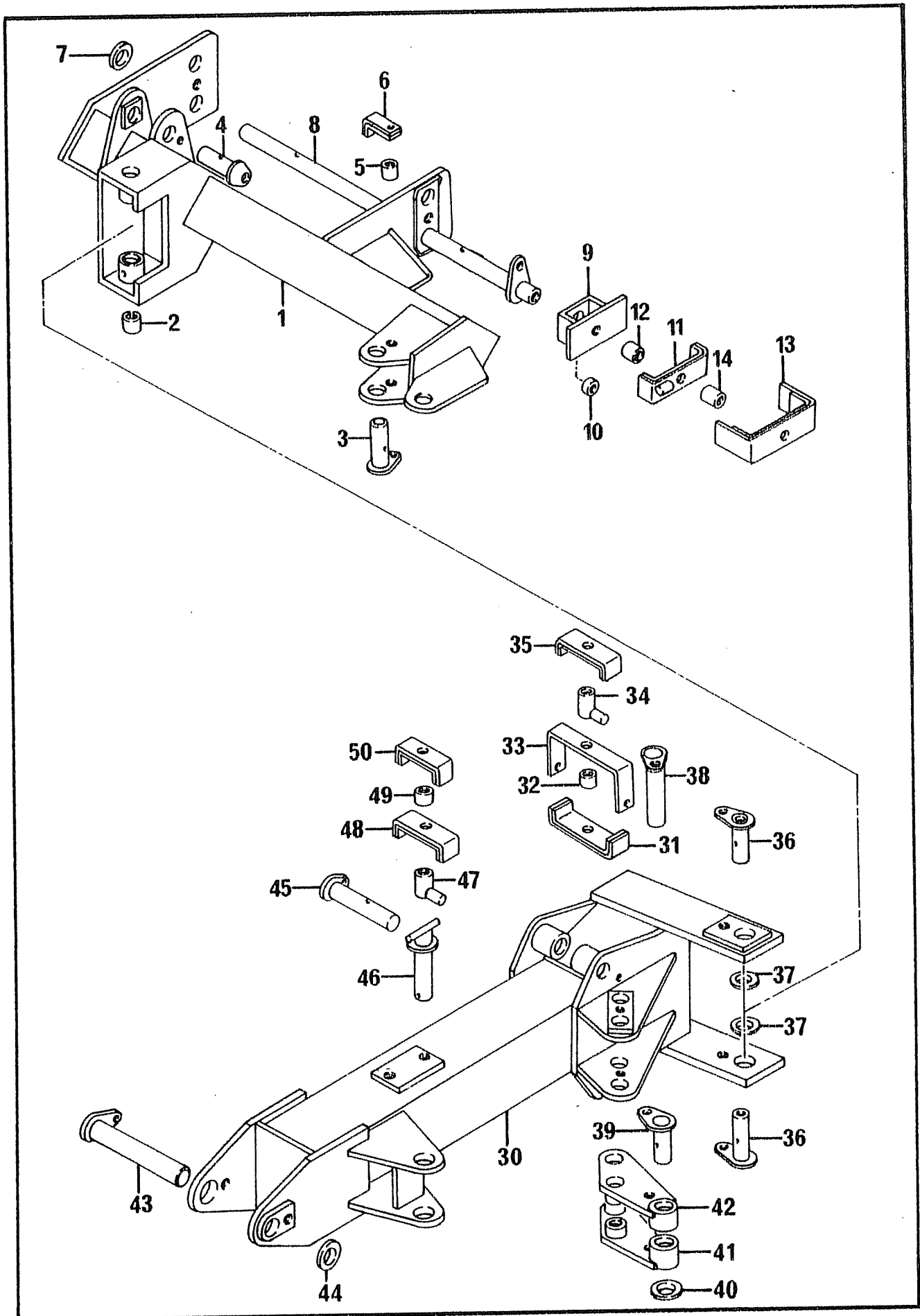


FIRST ARM AND EXTENSION BRACKET

REF	PART NO.	DESCRIPTION	QTY	SERIAL NO. FROM - TO
71.209.02		<u>FIRST ARM</u>		
*30	02.845.07	ARM FIRST	1	
30	05.953.04	GREASE NIPPLE M10 90 DEG	1	
*31	02.771.02	TENSION BUSH 55 X 50 X 50	4	
*32	04.338.02	SPACER 3/4"O/D X 1/2"I/D X 40MM	1	
*33	04.492.01	HOSE CLAMP	1	
33	05.286.03	NUT M12 PLATED	1	
*34	03.839.02	SPACER 3/4"O/D X 1/2"I/D X 31MM	1	
35	04.282.11	STUD M12 X 120MM	1	
*35	04.496.01	HOSE CLAMP	1	
35	05.281.03	FLAT WASHER 12MM PLATED	1	
35	05.282.03	SPRING WASHER 12MM PLATED	1	
35	05.286.03	NUT M12 PLATED	1	
*36	02.841.01	PIN 40 DIA X 208MM	1	
36	03.786.02	INSTRUCTION PLATE-GREASE M10	1	
36	04.174.01	STUD M12 X 38MM	1	
36	05.281.03	FLAT WASHER 12MM PLATED	1	
36	05.953.03	GREASE NIPPLE M10	1	
36	05.968.03	SELF LOCKING NUT M12 (FINE)	1	
37	04.282.11	STUD M12 X 120MM	1	
*37	04.338.02	SPACER 3/4"O/D X 1/2"I/D X 40MM	1	
*38	04.492.01	HOSE CLAMP	1	
38	05.286.03	NUT M12 PLATED	1	
*39	03.839.02	SPACER 3/4"O/D X 1/2"I/D X 31MM	1	
*40	04.496.01	HOSE CLAMP	1	
40	05.281.03	FLAT WASHER 12MM PLATED	1	
40	05.282.03	SPRING WASHER 12MM PLATED	1	
40	05.286.03	NUT M12 PLATED	1	
*41	02.842.01	PIN 40 DIA X 105MM	1	
41	03.786.02	INSTRUCTION PLATE-GREASE M10	1	
41	04.174.01	STUD M12 X 38MM	1	
41	05.281.03	FLAT WASHER 12MM PLATED	1	
41	05.953.03	GREASE NIPPLE M10	1	
41	05.968.03	SELF LOCKING NUT M12 (FINE)	1	
*42	03.039.03	SPACER 3/4"O/D X 1/2"I/D X20.5	1	
42	04.282.14	STUD M12 X 100MM	1	
*43	04.493.01	HOSE CLAMP	1	
43	05.286.03	NUT M12 PLATED	1	
*44	03.839.02	SPACER 3/4"O/D X 1/2"I/D X31MM	1	
*45	04.498.01	HOSE CLAMP	1	
45	05.281.03	FLAT WASHER 12MM PLATED	1	
45	05.282.03	SPRING WASHER 12MM PLATED	1	
45	05.286.03	NUT M12 PLATED	1	
*46	03.039.03	SPACER 3/4"O/D X 1/2"I/D X20.5	1	
46	04.282.12	STUD M12 X 55MM	1	
*47	04.495.01	HOSE CLAMP	1	
47	05.281.03	FLAT WASHER 12MM PLATED	1	
47	05.282.03	SPRING WASHER 12MM PLATED	1	
47	05.286.03	NUT M12 PLATED	1	
*48	02.771.03	TENSION BUSH 45 X 40 X 50	2	

* MAIN PART IN GROUP, RELATED PARTS HAVE SAME REFERENCE NUMBER

SECOND ARM AND INTERMEDIATE BEAM

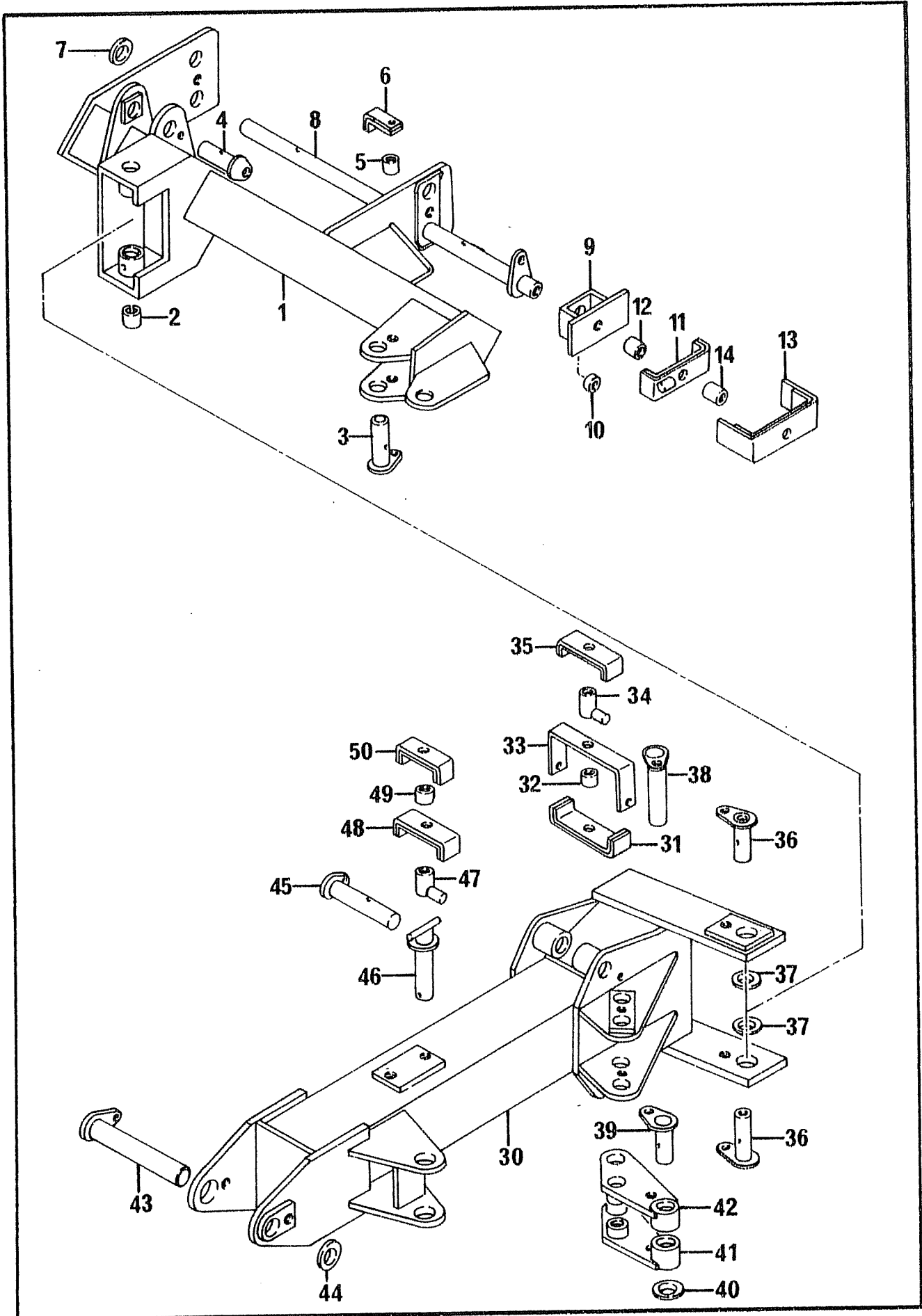


SECOND ARM AND INTERMEDIATE BEAM

REF	PART NO.	DESCRIPTION	QTY	SERIAL NO. FROM - TO
71.211.02		<u>INTERMEDIATE BEAM</u>		
*01	02.827.03	INTERMEDIATE BEAM	1	
*02	02.771.04	TENSION BUSH 40 X 35 X 40	2	
*03	02.834.01	PIN 30 DIA X 135MM	1	
03	03.786.02	INSTRUCTION PLATE-GREASE M10	1	
03	04.175.01	STUD M10 X 35MM	1	
03	05.281.02	FLAT WASHER 10MM PLATED	1	
03	05.953.03	GREASE NIPPLE M10	1	
03	05.968.02	SELF LOCKING NUT M10 (FINE)	1	
*04	02.842.01	PIN 40 DIA X 105MM	1	
04	03.786.02	INSTRUCTION PLATE-GREASE M10	1	
04	04.174.01	STUD M12 X 38MM	1	
04	05.281.03	FLAT WASHER 12MM PLATED	1	
04	05.953.03	GREASE NIPPLE M10	1	
04	05.968.03	SELF LOCKING NUT M12 (FINE)	1	
*05	03.039.03	SPACER 3/4"O/D X 1/2" I/D X 20.5	1	
*06	04.491.01	HOSE CLAMP	1	
06	05.264.14	SETSCREW M10 X 35MM PLATED	1	
06	05.281.02	FLAT WASHER 10MM PLATED	1	
*07	03.156.01	WASHER 50 O/D X 13 I/D X 9MM	1	
07	03.786.01	INSTRUCTION PLATE - GREASE M6	1	
07	05.282.03	SPRING WASHER 12MM PLATED	1	
07	05.953.01	GREASE NIPPLE M6	1	
*08	03.656.11	PIN 40 DIA X 670MM	1	
08	04.174.01	STUD M12 X 38MM	1	
08	05.281.03	FLAT WASHER 12MM PLATED	1	
08	05.953.01	GREASE NIPPLE M6	1	
08	05.968.03	SELF LOCKING NUT M12 (FINE)	1	
09	04.282.17	STUD M12 X 41MM	1	
*09	04.431.01	BRACKET - HOSE CLAMP	1	
*10	03.040.02	SPACER 3/4"O/D X 13MM I/D X 36MM	1	
11	04.282.11	STUD M12 X 100MM	1	
*11	04.493.01	HOSE CLAMP	1	
11	05.286.03	NUT M12 PLATED	1	
*12	03.839.02	SPACER 3/4"O/D X 1/2" I/D X 31MM	1	
*13	04.498.01	HOSE CLAMP	1	
13	05.281.03	FLAT WASHER 12MM PLATED	1	
13	05.282.03	SPRING WASHER 12MM PLATED	1	
13	05.286.03	NUT M12 PLATED	1	
*14	03.839.02	SPACER 3/4"O/D X 1/2" I/D X 31MM	1	

* MAIN PART IN GROUP, RELATED PARTS HAVE SAME REFERENCE NUMBER

SECOND ARM AND INTERMEDIATE BEAM

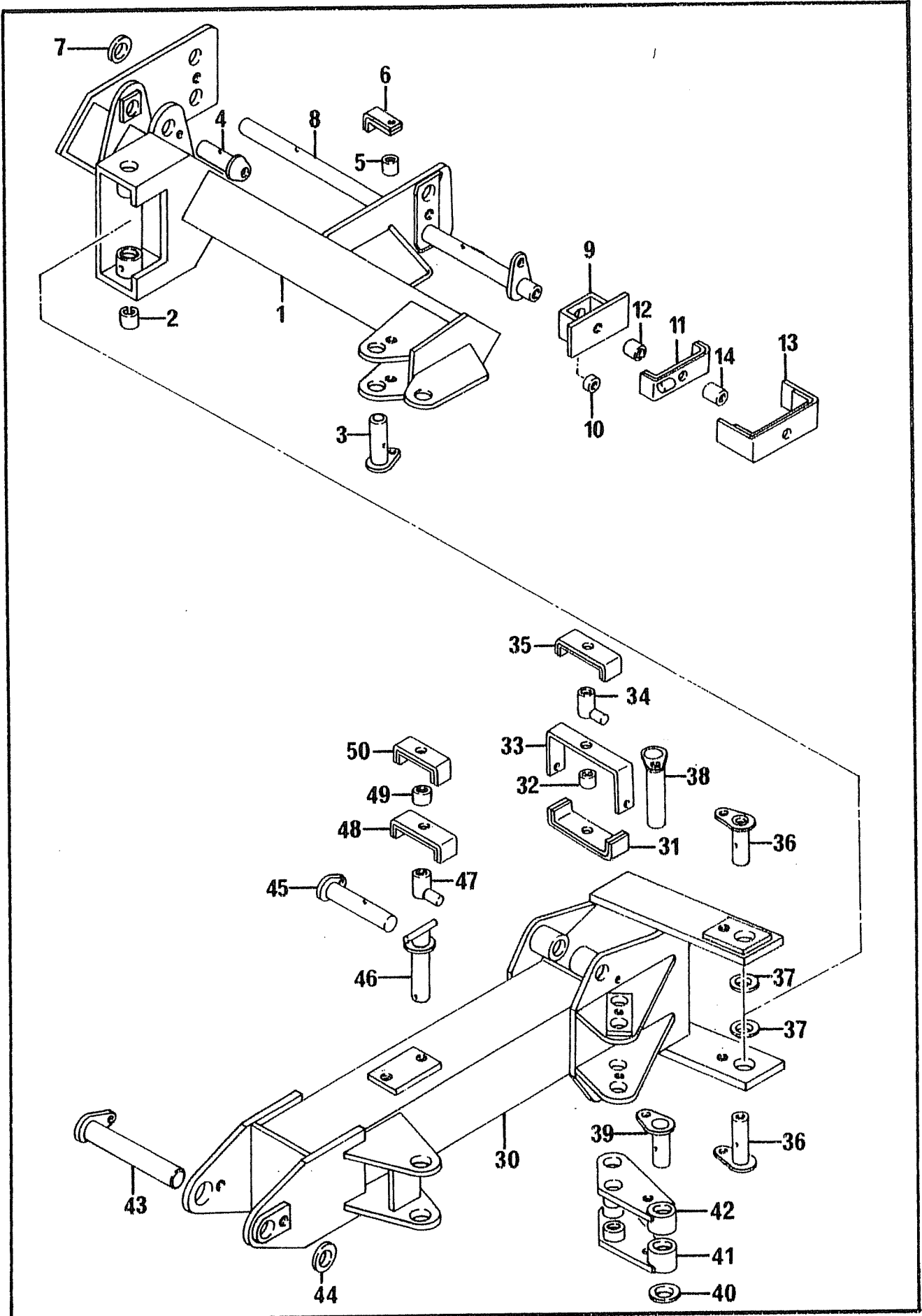


SECOND ARM AND INTERMEDIATE BEAM

REF	PART NO.	DESCRIPTION	QTY	SERIAL NO. FROM - TO
71.896.01		<u>SECOND ARM</u>		
*30	02.846.04	SECOND ARM	1	
*31	04.494.01	HOSE CLAMP	1	
*32	03.039.03	SPACER 3/4"O/D X 1/2" I/D X20.5	1	
*33	04.424.01	BRACKET-HOSE CLAMP	1	
33	05.264.22	SETSCREW M12 X 25MM PLATED	1	
33	05.282.03	SPRING WASHER 12MM PLATED	1	
*34	04.499.02	SPACER 3/4"O/D X 1/2" I/D X40MM	1	
*35	04.497.01	HOSE CLAMP	1	
35	05.281.03	FLAT WASHER 12MM PLATED	2	
35	05.282.03	SPRING WASHER 12MM PLATED	1	
35	05.286.03	NUT M12 PLATED	1	
35	05.292.23	BOLT M12 X 100MM PLATED	1	
*36	03.655.01	PIN 35 DIA X 94	2	
36	03.786.02	INSTRUCTION PLATE-GREASE M10	2	
36	04.174.01	STUD M12 X 38MM	2	
36	05.281.03	FLAT WASHER 12MM PLATED	2	
36	05.953.03	GREASE NIPPLE M10	2	
36	05.968.03	SELF LOCKING NUT M12 (FINE)	2	
*37	02.824.01	WASHER 50 O/DX13 I/DX5MM	2	
37	04.174.01	STUD M12 X 38MM	2	
37	05.281.03	FLAT WASHER 12MM PLATED	2	
37	05.968.03	SELF LOCKING NUT M12 (FINE)	2	
*38	02.854.01	PIN 35 DIA X 175MM	1	
38	03.786.02	INSTRUCTION PLATE-GREASE M10	1	
38	04.175.01	STUD M10 X 29MM	1	
38	05.281.03	FLAT WASHER 12MM PLATED	1	
38	05.953.03	GREASE NIPPLE M10	1	
38	05.968.03	SELF LOCKING NUT M12 (FINE)	1	
*39	02.838.02	PIN 30 DIA X 120MM	1	
39	03.786.02	INSTRUCTION PLATE-GREASE M10	1	
39	04.175.01	STUD M10 X 29MM	1	
39	05.281.02	FLAT WASHER 10MM PLATED	1	
39	05.953.03	GREASE NIPPLE M10	1	
39	05.968.02	SELF LOCKING NUT M10 (FINE)	1	
*40	02.824.01	WASHER 50 O/DX13 I/DX5MM	1	
40	05.264.22	SETSCREW M12 X 25MM PLATED	2	
40	05.282.03	SPRING WASHER 12MM PLATED	1	
41	02.771.05	TENSION BUSH 35 X 30 X 40	1	
41	02.771.06	TENSION BUSH 35 X 30 X 30	1	
*41	03.175.04	BRACKET AUTO-RAM	1	
42	02.771.05	TENSION BUSH 35 X 30 X 40	1	
42	02.771.06	TENSION BUSH 35 X 30 X 30	1	
*42	03.175.05	BRACKET AUTO-RAM	1	
*43	02.848.02	PIN 40 DIA X 212MM	1	
43	04.174.01	STUD M12 X 38MM	1	
43	05.281.03	FLAT WASHER 12MM PLATED	1	
43	05.968.03	SELF LOCKING NUT M12 (FINE)	1	
*44	02.824.01	WASHER 50 O/DX13 I/DX5MM	1	
44	05.264.22	SETSCREW M12 X 25MM PLATED	1	
44	05.282.03	SPRING WASHER 12MM PLATED	1	

* MAIN PART IN GROUP, RELATED PARTS HAVE SAME REFERENCE NUMBER

SECOND ARM AND INTERMEDIATE BEAM

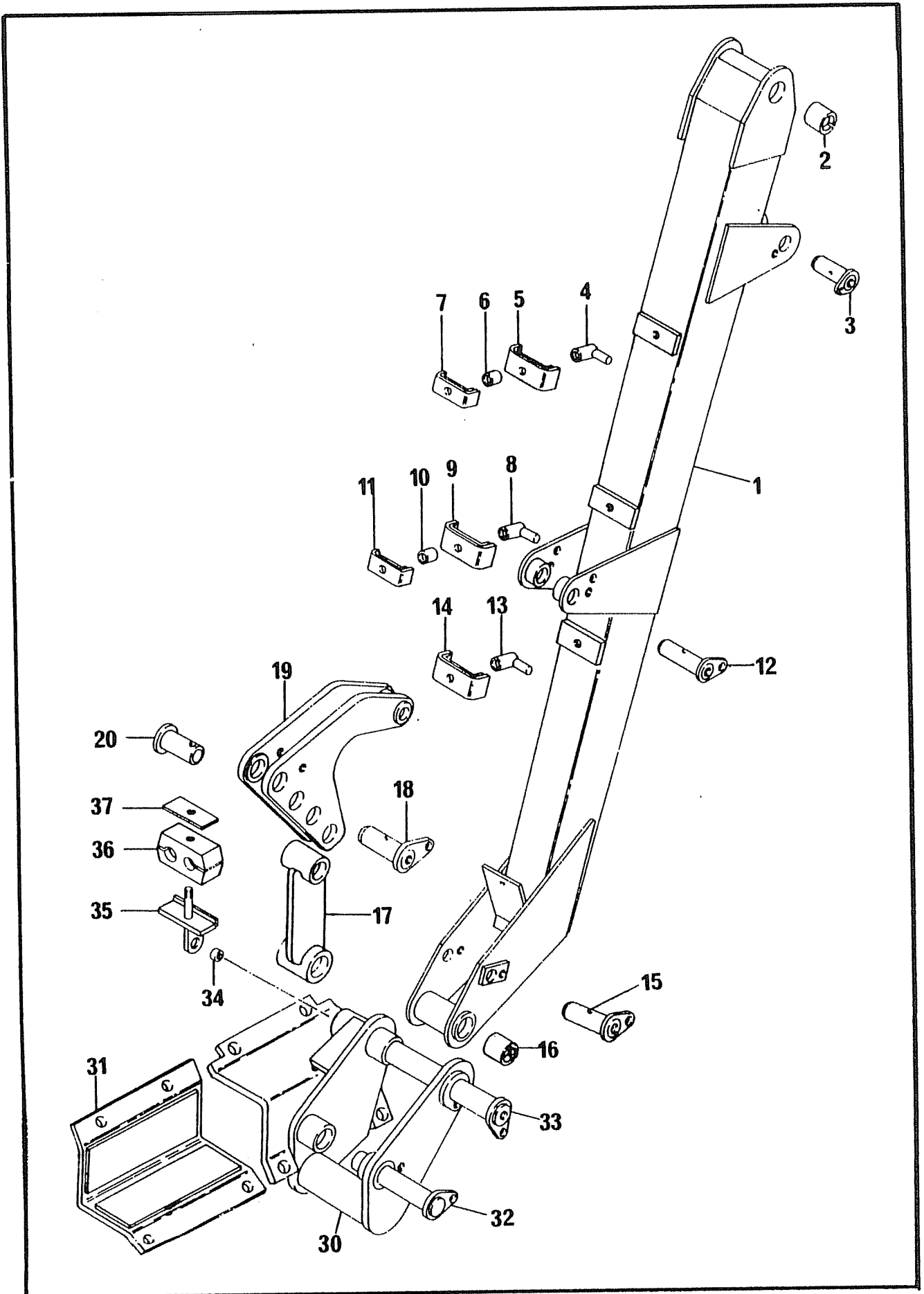


SECOND ARM AND INTERMEDIATE BEAM

REF	PART NO.	DESCRIPTION	QTY	SERIAL NO. FROM - TO
71.896.01		<u>SECOND ARM</u>		
*45	02.843.01	PIN 30 DIA X 175MM	1	
45	03.786.02	INSTRUCTION PLATE-GREASE M10	1	
45	04.174.01	STUD M12 X 38MM	1	
45	05.281.03	FLAT WASHER 12MM PLATED	1	
45	05.953.03	GREASE NIPPLE M10	1	
45	05.968.03	SELF LOCKING NUT M12 (FINE)	1	
*46	02.857.01	PIN 30 DIA X 210MM	1	
46	03.255.05	CHAIN-RING ASSY	2	
46	05.964.02	SPRING COTTER 5.6MM DIA	2	
*47	04.499.02	SPACER 3/4"O/D X 1/2" I/D X40MM	1	
47	05.282.02	SPRING WASHER 10MM PLATED	1	
47	05.292.11	BOLT M10 X 80MM PLATED	1	
*48	04.497.01	HOSE CLAMP	1	
*49	03.039.03	SPACER 3/4"O/D X 1/2" I/D X20.5	1	
*50	04.495.01	HOSE CLAMP	1	

* MAIN PART IN GROUP, RELATED PARTS HAVE SAME REFERENCE NUMBER

THIRD ARM AND COWL BRACKET - B728

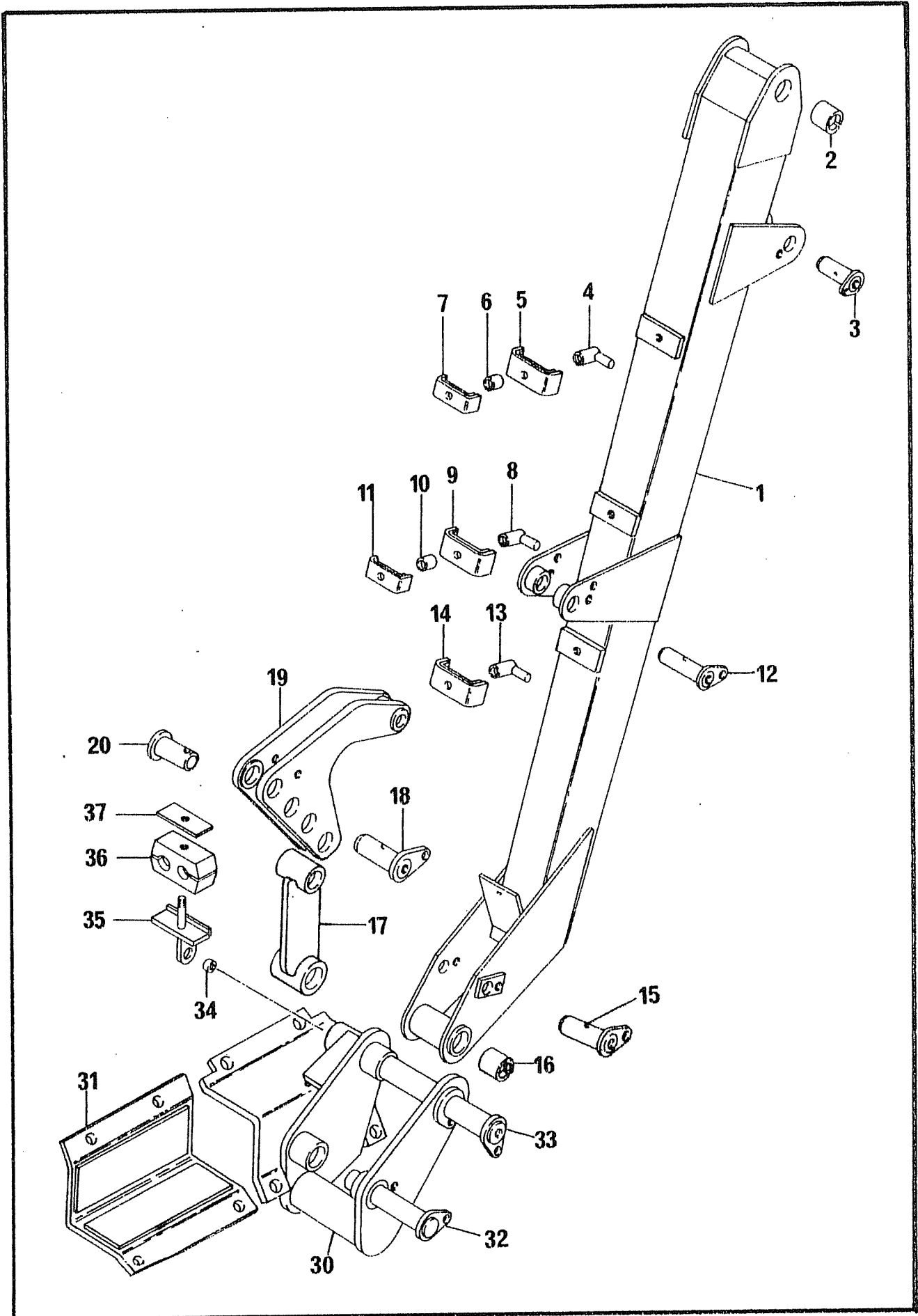


THIRD ARM AND COWL BRACKET - B728

REF	PART NO.	DESCRIPTION	QTY	SERIAL NO. FROM - TO
71.212.01		<u>THIRD ARM - B728</u>		
*01	02.847.05	THIRD ARM	1	
01	05.953.03	GREASE NIPPLE M10	2	
*02	02.771.03	TENSION BUSH 45 X 40 X 50	2	
*03	02.851.01	PIN 35 DIA X 135MM	1	
03	03.786.02	INSTRUCTION PLATE-GREASE M10	1	
03	04.174.01	STUD M12 X 38MM	1	
03	05.281.03	FLAT WASHER 12MM PLATED	1	
03	05.953.03	GREASE NIPPLE M10	1	
03	05.968.03	SELF LOCKING NUT M12 (FINE)	1	
04	04.282.14	STUD M12 X 100MM	1	
*04	04.499.02	SPACER 3/4"O/D X 1/2" I/D X40MM	1	
*05	04.497.01	HOSE CLAMP	1	
05	05.286.03	NUT M12 PLATED	1	
*06	03.039.03	SPACER 3/4"O/D X 1/2" I/D X20.5	1	
*07	04.495.01	HOSE CLAMP	1	
07	05.281.03	FLAT WASHER 12MM PLATED	1	
07	05.282.03	SPRING WASHER 12MM PLATED	1	
07	05.286.03	NUT M12 PLATED	1	
08	04.282.14	STUD M12 X 100MM	1	
*08	04.499.02	SPACER 3/4"O/D X 1/2" I/D X40MM	1	
*09	04.497.01	HOSE CLAMP	1	
09	05.286.03	NUT M12 PLATED	1	
*10	03.039.03	SPACER 3/4"O/D X 1/2" I/D X20.5	1	
*11	04.495.01	HOSE CLAMP	1	
11	05.281.03	FLAT WASHER 12MM PLATED	1	
11	05.282.03	SPRING WASHER 12MM PLATED	1	
11	05.286.03	NUT M12 PLATED	1	
*12	02.853.01	PIN 35 DIA X 127MM	1	
12	03.786.02	INSTRUCTION PLATE-GREASE M10	1	
12	04.174.01	STUD M12 X 38MM	1	
12	05.281.03	FLAT WASHER 12MM PLATED	1	
12	05.953.03	GREASE NIPPLE M10	1	
12	05.968.03	SELF LOCKING NUT M12 (FINE)	1	
13	04.282.13	STUD M12 X 65MM	1	
*13	04.499.02	SPACER 3/4"O/D X 1/2" I/D X40MM	1	
*14	04.497.01	HOSE CLAMP	1	
14	05.282.03	SPRING WASHER 12MM PLATED	1	
14	05.286.03	NUT M12 PLATED	1	
*15	03.098.01	PIN 30 X 115MM	1	
15	03.786.02	INSTRUCTION PLATE - GREASE M10	1	
15	04.175.01	STUD M10 X 35MM	1	
15	05.281.02	FLAT WASHER 10MM	1	
15	05.968.02	SELF LOCKING NUT M10 X 1.25 (fine)	1	
15	05.953.03	GREASE NIPPLE M10	1	
*16	02.771.03	TENSION BUSH 45 X 40 X 50MM	2	
*17	02.831.02	LINK-COWL	1	
17	05.953.01	GREASE NIPPLE M6	1	

* MAIN PART IN GROUP, RELATED PARTS HAVE SAME REFERENCE NUMBER.

THIRD ARM AND COWL BRACKET - B728

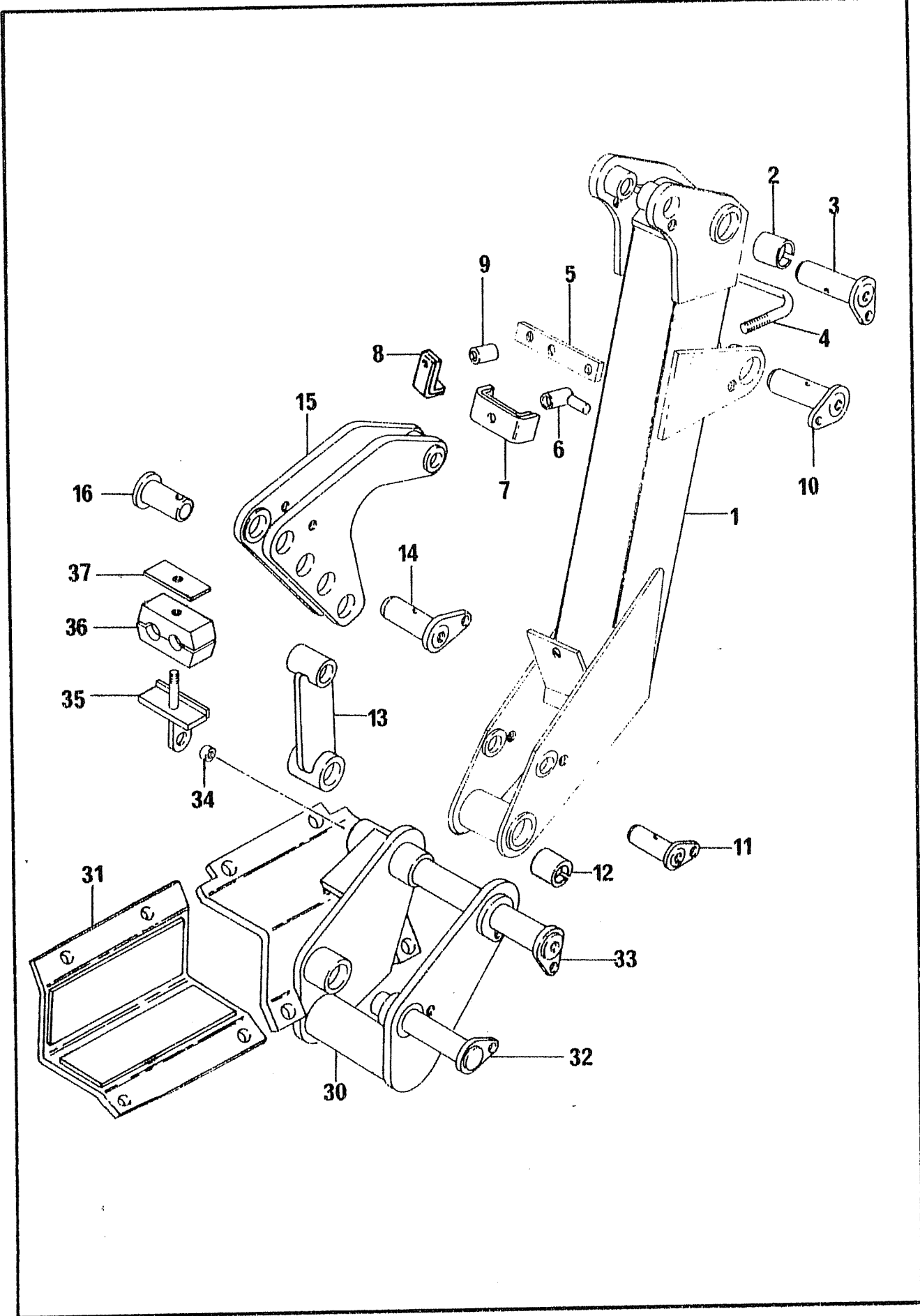


THIRD ARM AND COWL BRACKET - B728

REF	PART NO.	DESCRIPTION	QTY	SERIAL NO. FROM - TO
71.212.01		<u>THIRD ARM - B728</u>		
*18	02.864.01	PIN 35 DIA X 76MM	1	
18	03.786.02	INSTRUCTION PLATE-GREASE M10	1	
18	04.174.01	STUD M12 X 38MM	1	
18	05.281.03	FLAT WASHER 12MM PLATED	1	
18	05.953.03	GREASE NIPPLE M10	1	
18	05.968.03	SELF LOCKING NUT M12 (FINE)	1	
*19	04.068.01	LINK-RAM	1	
20	00.372.01	LINCH PIN	1	
*20	02.877.01	PIN 30 DIA X 99MM	1	
71.694.01, 71.695.01		<u>COWL BRACKET - B728</u>		
*30	04.067.05	BRACKET-COWL L.H.	1) -1000W
30	04.067.06	BRACKET-COWL R.H.	-)
*31	04.319.01	CLAMP-COWL BRACKET	1) 1001W-1669W
31	05.282.04	SPRING WASHER 16MM PLATED	4) CHECK WITH
31	05.286.04	NUT M16 PLATED	4) BOMFORD
31	05.292.32	BOLT M16 X 90MM PLATED	4) SERVICE
*30	06.968.01	BRACKET-COWL LH	1)
30	06.968.02	BRACKET-COWL RH	-)
*31	03.836.01	CLAMP-COWL BRACKET	1) 1670W-
31	05.282.03	SPRING WASHER 12MM PLATED	5)
31	05.286.03	NUT M12	5)
31	05.264.25	SETSCREW M12 X 40	5)
*32	02.855.01	PIN 30 DIA X 155MM	1	
32	03.786.01	INSTRUCTION PLATE-GREASE M6	1	
32	04.175.01	STUD M10 X 35MM	1	
32	05.281.02	FLAT WASHER 10MM PLATED	1	
32	05.953.01	GREASE NIPPLE M6	1	
32	05.968.02	SELF LOCKING NUT M10 (FINE)	1	
*33	03.656.12	PIN 40DIA X 241MM	1	
33	04.174.01	STUD M12 X 38MM	1	
33	04.490.01	WASHER 30 O/D X 13 I/D X 4MM	1	
33	05.264.25	SETSCREW M12 X 40MM PLATED	1	
33	05.281.03	FLAT WASHER 12MM PLATED	1	
33	05.282.03	SPRING WASHER 12MM PLATED	1	
33	05.968.03	SELF LOCKING NUT M12 (FINE)	1	
*34	04.489.01	SPACER 3/4" O/D X 1/2" I/D X 12MM	1	
35	05.281.01	FLAT WASHER 8MM PLATED	1	
35	05.282.01	SPRING WASHER 8MM PLATED	1	
35	05.286.01	NUT M8 PLATED	1	
*35	06.426.01	BRACKET - HOSE CLAMP	1	
*36	06.430.03	HOSE CLAMP	2	
*37	06.418.01	CLAMP PLATE 95 X 6	1	

* MAIN PART IN GROUP, RELATED PARTS HAVE SAME REFERENCE NUMBER.

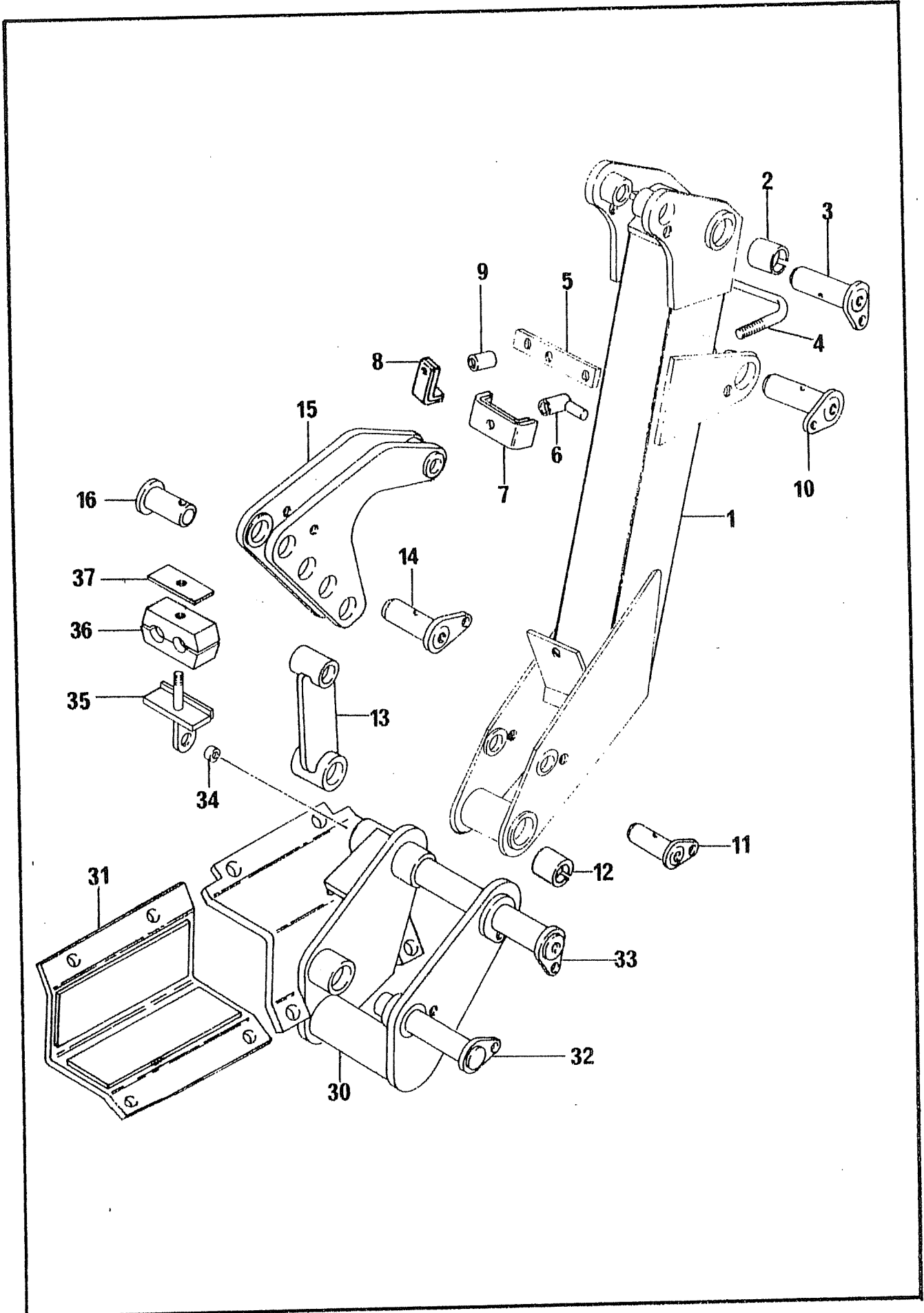
THIRD ARM AND COWL BRACKET - B588



REF	PART NO.	DESCRIPTION	QTY	SERIAL NO. FROM - TO
71.225.01		<u>THIRD ARM -- B588</u>		
01	05.953.03	GREASE NIPPLE M10	1	
*01	06.095.01	ARM-THIRD	1	
*02	02.771.03	TENSION BUSH 45 X 40 X 50	2	
03	02.875.01	PIN 35 DIA X 110MM	1	
03	03.786.02	INSTRUCTION PLATE-GREASE M10	1	
03	04.174.01	STUD M12 X 38MM	1	
03	05.281.03	FLAT WASHER 12MM PLATED	1	
03	05.953.03	GREASE NIPPLE M10	1	
03	05.968.03	SELF LOCKING NUT M12 (FINE)	1	
*04	03.084.01	"U"BOLT M10	1	
05	05.282.02	SPRING WASHER 10MM PLATED	2	
05	05.286.02	NUT M10 PLATED	2	
*05	06.116.01	BRACKET-HOSE CLAMP	1	
*06	04.499.02	SPACER 3/4"O/D X 1/2"I/D X40MM	1	
*07	04.497.01	HOSE CLAMP	1	
*08	04.491.01	HOSE CLAMP	1	
08	05.281.03	FLAT WASHER 12MM PLATED	1	
08	05.282.03	SPRING WASHER 12MM PLATED	1	
08	05.286.03	NUT M12 PLATED	1	
08	05.292.23	BOLT M12 X 100MM PLATED	1	
*09	03.039.03	SPACER 3/4"O/D X 1/2"I/D X20.5	1	
*10	02.875.01	PIN 35 DIA X 110MM	1	
10	03.786.02	INSTRUCTION PLATE-GREASE M10	1	
10	04.174.01	STUD M12 X 38MM	1	
10	05.281.03	FLAT WASHER 12MM PLATED	1	
10	05.953.03	GREASE NIPPLE M10	1	
10	05.968.03	SELF LOCKING NUT M12 (FINE)	1	
*11	03.098.01	PIN 30 DIA X 115	1	
11	03.786.02	INSTRUCTION PLATE-GREASE M10	1	
11	04.175.01	STUD M10 X 35MM	1	
11	05.281.02	FLAT WASHER 10MM PLATED	1	
11	05.953.03	GREASE NIPPLE M10	1	
11	05.968.02	SELF LOCKING NUT M10 (FINE)	1	
*12	02.771.03	TENSION BUSH 45 X 40 X 50	2	
*13	02.831.02	LINK-COWL	1	
13	05.953.01	GREASE NIPPLE M6	1	
*14	02.864.01	PIN 35 DIA X 76MM	1	
14	03.786.02	INSTRUCTION PLATE-GREASE M10	1	
14	04.174.01	STUD M12 X 38MM	1	
14	05.281.03	FLAT WASHER 12MM PLATED	1	
14	05.953.03	GREASE NIPPLE M10	1	
14	05.968.03	SELF LOCKING NUT M12 (FINE)	1	
*15	04.068.01	LINK-RAM	1	
16	00.372.01	LINCH PIN	1	
*16	02.877.01	PIN 30 DIA X 99MM	1	

* MAIN PART IN GROUP, RELATED PARTS HAVE SAME REFERENCE NUMBER.

THIRD ARM AND COWL BRACKET - B588

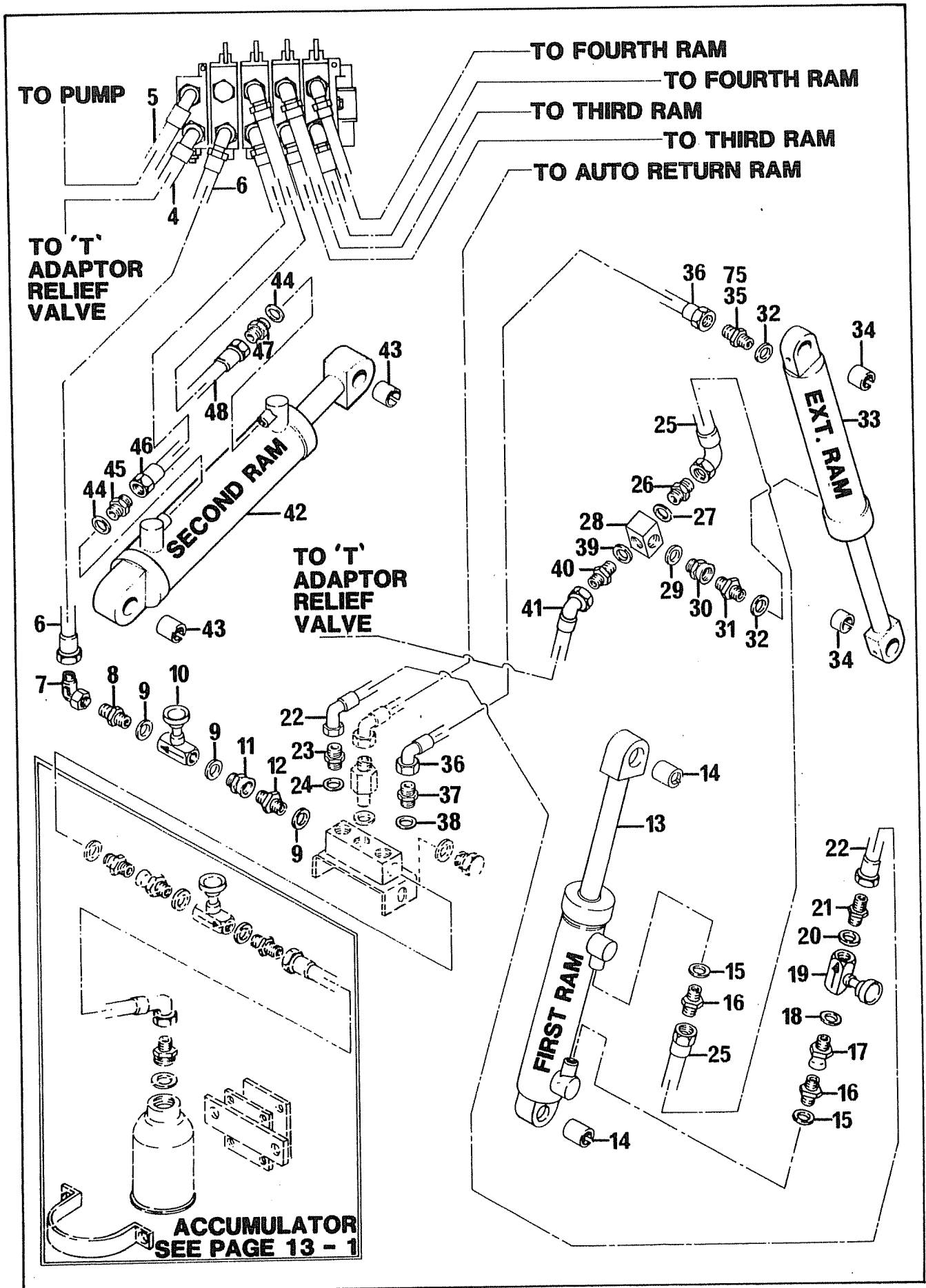


THIRD ARM AND COWL BRACKET - B588

REF	PART NO.	DESCRIPTION	QTY	SERIAL NO. FROM - TO
71.694.01, 71.695.01		<u>COWL BRACKET - B588</u>		
*30	04.067.05	BRACKET-COWL L.H.	1) -1000W
30	04.067.06	BRACKET-COWL R.H.	-)
*31	04.319.01	CLAMP-COWL BRACKET	1) 1001W-2015W
31	05.282.04	SPRING WASHER 16MM PLATED	4) CHECK WITH
31	05.286.04	NUT M16 PLATED	4) BOMFORD
31	05.292.32	BOLT M16 X 90MM PLATED	4) SERVICE
*30	06.968.01	BRACKET-COWL LH	1)
30	06.968.02	BRACKET-COWL RH	-)
*31	03.836.01	CLAMP-COWL BRACKET	1) 2016W-
31	05.282.03	SPRING WASHER 12MM PLATED	5)
31	05.286.03	NUT M12	5)
31	05.264.25	SETSCREW M12 X 40	5)
*32	02.855.01	PIN 30 DIA X 155MM	1	
32	03.786.01	INSTRUCTION PLATE-GREASE M6	1	
32	04.175.01	STUD M10 X 35MM	1	
32	05.281.02	FLAT WASHER 10MM PLATED	1	
32	05.953.01	GREASE NIPPLE M6	1	
32	05.968.02	SELF LOCKING NUT M10 (FINE)	1	
*33	03.656.12	PIN 40DIA X 241MM	1	
33	04.174.01	STUD M12 X 38MM	1	
33	04.490.01	WASHER 30 O/DX13 I/D X 4MM	1	
33	05.264.25	SETSCREW M12 X 40MM PLATED	1	
33	05.281.03	FLAT WASHER 12MM PLATED	1	
33	05.282.03	SPRING WASHER 12MM PLATED	1	
33	05.968.03	SELF LOCKING NUT M12 (FINE)	1	
*34	04.489.01	SPACER 3/4" O/D X 1/2" I/D X 12MM	1	
35	05.281.01	FLAT WASHER 8MM PLATED	1	
35	05.282.01	SPRING WASHER 8MM PLATED	1	
35	05.286.01	NUT M8 PLATED	1	
*35	06.426.01	BRACKET - HOSE CLAMP	1	
*36	06.430.03	HOSE CLAMP	2	
*37	06.418.01	CLAMP PLATE 95 X 6	1	

* MAIN PART IN GROUP, RELATED PARTS HAVE SAME REFERENCE NUMBER

HYDRAULIC RAM CIRCUIT (PART I)



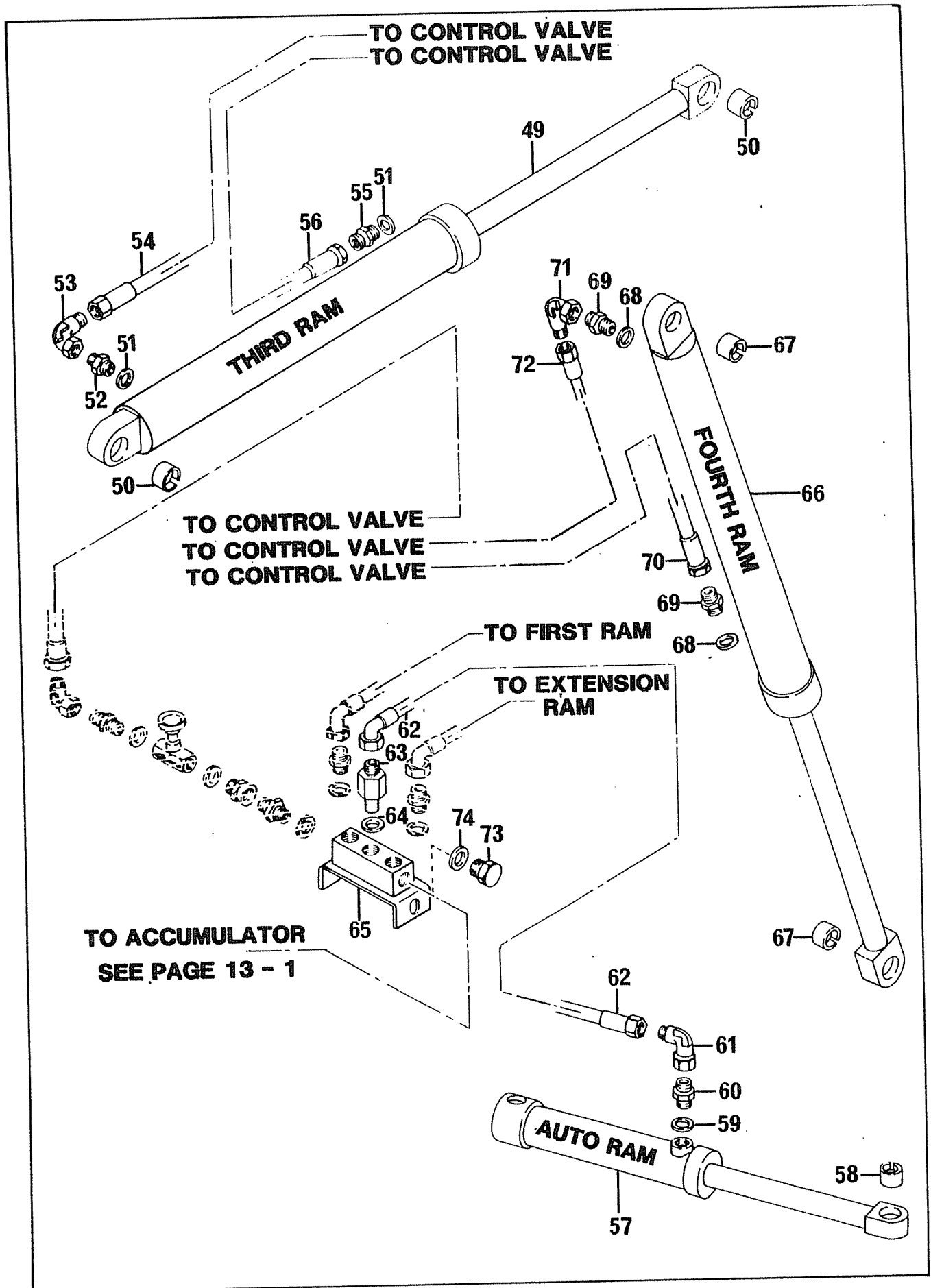
HYDRAULIC RAM CIRCUIT (PART I)

71.897.01, 71.898.01,
71.899.01

REF	PART NO.	DESCRIPTION	QTY	SERIAL NO. FROM - TO
*04	05.991.11	HOSE 3/8"BSP X 550MM 90XST	1	
*05	05.991.20	HOSE 3/8"BSP X 1000MM 90XST	1	
*06	05.991.14	HOSE 3/8"BSP X 700MM 90XST	1	
*07	05.835.01	ADAPTOR-SWIVEL 90 3/8"BSP M/F	1	
*08	05.124.01	ADAPTOR 3/8" BSP X 3/8" BSP	1	
*09	05.290.04	BONDED SEAL 3/8"BSP	3	
*10	05.176.01	ISOLATOR VALVE ASSY 3/8"BSP	1	
*11	02.714.01	ADAPTOR-SWIVEL ST 3/8BSP M/F	1	
*12	03.028.01	RESTRICTOR 3/8"BSP X 3/8"BSP	1	
13	02.900.19	SEAL KIT (FOR 02.900.14 RAM)	-	
*13	02.900.21	RAM ASSY D/A 100MM BORE X445MM	1	
13	05.388.03	SOCKET GRUBSCREW M6 X 6MM	-	
*14	02.771.03	TENSION BUSH 45 X 40 X 50	2	
*15	05.290.04	BONDED SEAL 3/8"BSP	2	
*16	05.124.01	ADAPTOR 3/8" BSP X 3/8" BSP	2	
*17	02.714.01	ADAPTOR-SWIVEL ST 3/8BSP M/F	1	
*18	05.290.04	BONDED SEAL 3/8"BSP	1	
*19	05.176.01	ISOLATOR VALVE ASSY 3/8"BSP	1	
*20	05.290.04	BONDED SEAL 3/8"BSP	1	
*21	05.124.01	ADAPTOR 3/8" BSP X 3/8" BSP	1	
*22	05.991.26	HOSE 3/8" BSP X 1600MM 90XST	1	
*23	05.124.01	ADAPTOR 3/8" BSP X 3/8" BSP	1	
*24	05.290.04	BONDED SEAL 3/8"BSP	1	
*25	05.991.20	HOSE 3/8"BSP X 1000MM 90XST	1	
*26	05.124.01	ADAPTOR 3/8" BSP X 3/8" BSP	1	
*27	05.290.04	BONDED SEAL 3/8"BSP	1	
*28	00.954.01	DIST-BLOCK - 3 PORT PLATED	1	
*29	05.290.04	BONDED SEAL 3/8"BSP	1	
*30	02.714.01	ADAPTOR-SWIVEL ST 3/8BSP M/F	1	
*31	05.124.01	ADAPTOR 3/8" BSP X 3/8" BSP	1	
*32	05.290.04	BONDED SEAL 3/8"BSP	2	
33	02.901.26	SEAL KIT (02.901 RAMS)	-	
*33	02.901.33	RAM ASSY D/A 90MM BORE X 150MM	1	
33	05.388.03	SOCKET GRUBSCREW M6 X 6MM	-	
*34	02.771.03	TENSION BUSH 45 X 40 X 50	2	
*35	05.124.01	ADAPTOR 3/8" BSP X 3/8" BSP	1	
*36	05.991.14	HOSE 3/8"BSP X 700MM 90XST	1	
*37	05.124.01	ADAPTOR 3/8" BSP X 3/8" BSP	1	
*38	05.290.04	BONDED SEAL 3/8"BSP	1	
*39	05.290.04	BONDED SEAL 3/8"BSP	1	
*40	03.028.01	RESTRICTOR 3/8BSP X 3/8BSP	1	
*41	05.991.23	HOSE 3/8"BSP X 1300MM 90XST	1	
42	02.901.26	SEAL KIT (02.901 RAMS)	-	
*42	02.901.34	RAM ASSY D/A 90MM BORE X 445MM	1	
42	05.388.03	SOCKET GRUBSCREW M6 X 6MM	-	
*43	02.771.03	TENSION BUSH 45 X 40 X 50	2	
*44	05.290.04	BONDED SEAL 3/8"BSP	2	
*45	03.028.01	RESTRICTOR 3/8BSP X 3/8BSP	1	
*46	05.991.41	HOSE 3/8" BSP X 3100MM 90XST	1	
*47	05.124.01	ADAPTOR 3/8" BSP X 3/8" BSP	1	
*48	05.991.41	HOSE 3/8" BSP X 3100MM 90XST	1	
*75	03.028.01	RESTRICTOR 3/8BSP X 3/8BSP	1	

* MAIN PART IN GROUP, RELATED PARTS HAVE SAME REFERENCE NUMBER

HYDRAULIC RAM CIRCUIT (PART II)



HYDRAULIC RAM CIRCUIT (PART II)

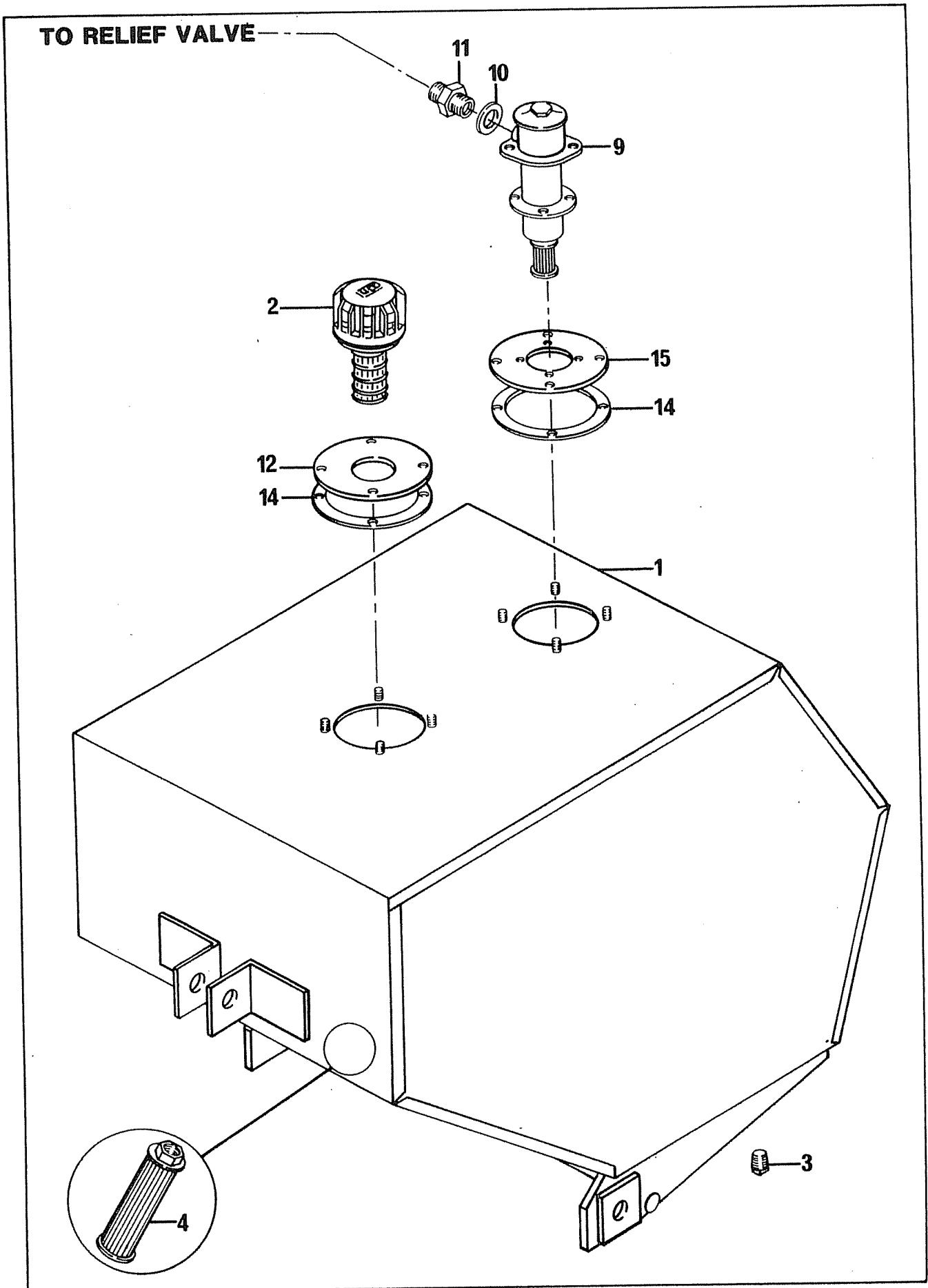
71.897.01, 71.898.01,
71.899.01

REF	PART NO.	DESCRIPTION	QTY	SERIAL NO. FROM - TO
49	02.902.08	SEAL KIT (02 902 D/A RAMS)	-	
*49	02.902.17	RAM ASSY D/A 70MM BORE X 430MM	1	
49	05.388.03	SOCKET GRUBSCREW M6 X 6MM	-	
*50	02.771.04	TENSION BUSH 40 X 35 X 40	2	
*51	05.290.04	BONDED SEAL 3/8"BSP	2	
*52	03.028.01	RESTRICTOR 3/8BSP X 3/8"BSP	1	
*53	05.835.01	ADAPTOR-SWIVEL 90 3/8"BSP M/F	1	
*54	05.991.63	HOSE 3/8" BSP X 5300MM 90XST	1	
*55	05.124.01	ADAPTOR 3/8" BSP X 3/8" BSP	1	
*56	05.991.63	HOSE 3/8" BSP X 5300MM 90XST	1	
*57	02.785.19	RAM ASSY AUTO/RET 70BORE X201	1	
57	02.785.20	SEAL KIT (02785 A/R RAM)	-	
57	05.388.03	SOCKET GRUBSCREW M6 X 6MM	-	
*58	02.771.05	TENSION BUSH 35 X 30 X 40	1	
*59	05.290.04	BONDED SEAL 3/8"BSP	1	
*60	05.124.01	ADAPTOR 3/8" BSP X 3/8" BSP	1	
*61	05.835.01	ADAPTOR-SWIVEL 90 3/8"BSP M/F	1	
*62	05.991.49	HOSE 3/8"BSP X 3900MM 90XST	1	
*63	03.077.01	ADAPTOR 1/2" X 3/8" BSP PLATED	1	
*64	05.290.05	BONDED SEAL 1/2"BSP	1	
*65	03.636.01	DIST-BLOCK-5 PORT PLATED	1	
65	05.282.02	SPRING WASHER 10MM PLATED	2	
65	05.286.02	NUT M10 PLATED	2	
65	05.291.13	BOLT M10 X 40MM PLATED	2	
66	02.902.08	SEAL KIT (02 902 D/A RAMS)	-	
*66	02.902.17	RAM ASSY D/A 70MM BORE X 430MM	1	
66	05.388.03	SOCKET GRUBSCREW M6 X 6MM	-	
*67	02.771.04	TENSION BUSH 40 X 35 X 40	2	
*68	05.290.04	BONDED SEAL 3/8"BSP	2	
*69	03.028.01	RESTRICTOR 3/8BSP X 3/8BSP	2	
*70+	05.991.82	HOSE 3/8"BSP X 7200MM 90 X ST	1	
*70/	05.991.72	HOSE 3/8"BSP X 6200MM 90 X ST	1	
*71/	05.835.01	ADAPTOR-SWIVEL 90 3/8"BSP M/F	1	
*72+	05.991.82	HOSE 3/8"BSP X 7200MM 90 X ST	1	
*72/	05.991.74	HOSE 3/8"BSP X 6400MM 90 X ST	1	
*73:	05.835.01	ADAPTOR-SWIVEL 90 3/8"BSP M/F	1	
*74:	05.433.01	PLUG 3/8"BSP PLATED	1	
74:	05.117.01	COPPER WASHER 3/8" BSP	1	

+ B728 MACHINES ONLY
/ B588 MACHINES ONLY
: B588 MACHINES WITHOUT ACCUMULATOR

* MAIN PART IN GROUP, RELATED PARTS HAVE SAME REFERENCE NUMBER

TANK

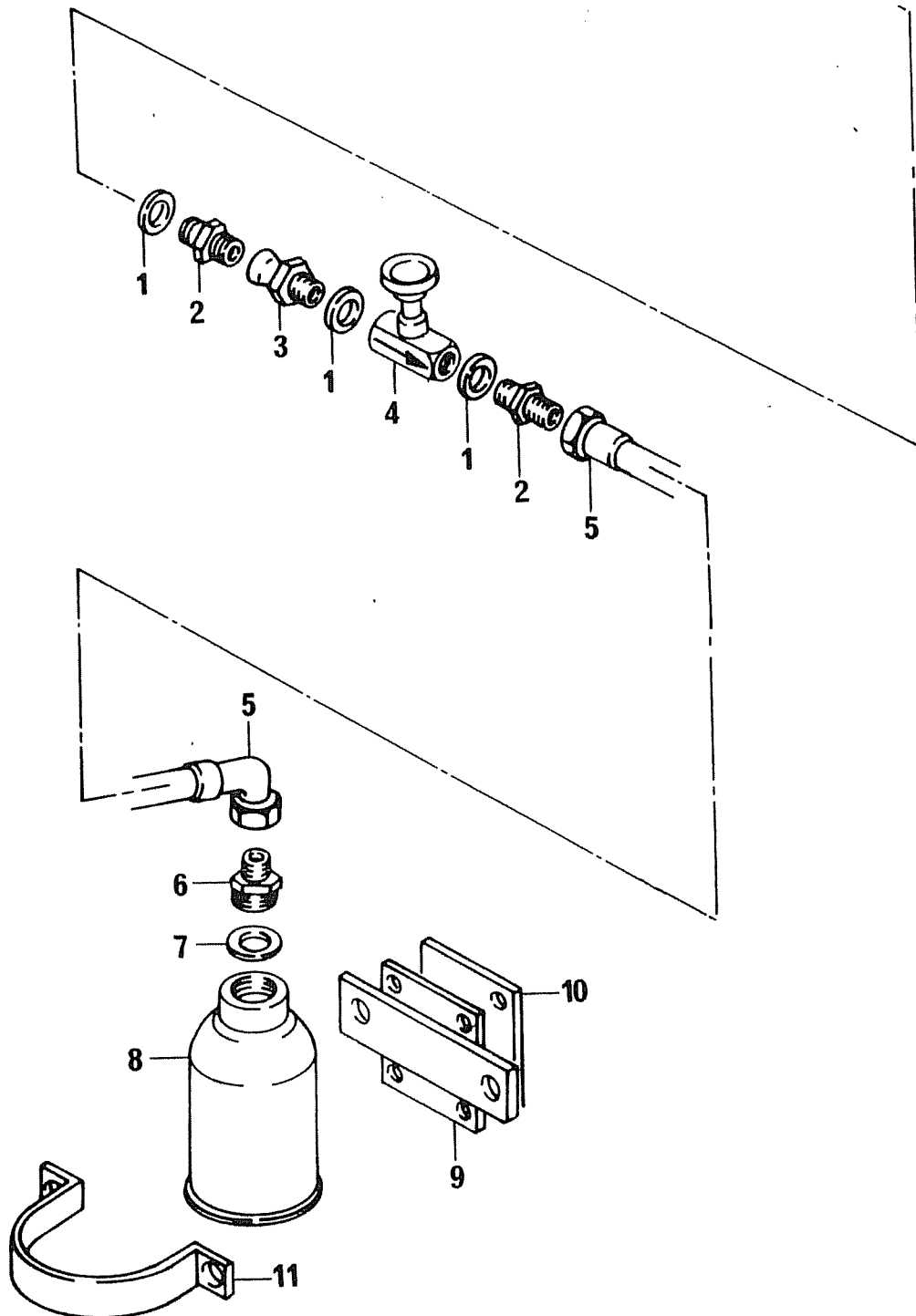


71.888.01

REF	PART NO.	DESCRIPTION	QTY	SERIAL NO. FROM - TO
01	00.372.01	LINCH PIN	2	
*01	03.642.02	TANK	1	
01	04.575.06	TANK PROD.ASSY	1	
01	05.282.06	SPRING WASHER 24MM	3	
01	05.285.04	BOLT M24 X 100MM PLATED	3	
01	05.286.06	NUT M24 PLATED	3	
*02	06.966.01	BREATHER CAP & STRAINER ASSY	1	
*03	05.495.01	PLUG 1/2"BSPT PLATED	1	
*04	05.367.02	FILTER - SUCTION	1	
09	05.282.07	SPRING WASHER 6MM PLATED	4	
09	05.625.09	SOCKET-CAPSCREW M6X25MM PLATED	4	
*09	06.516.01	FILTER ASSY	1	
09	06.516.03	FILTER ELEMENT C/W BY-PASS VALVE	1	
09	06.516.04	GASKET	1	
*10	05.290.07	BONDED SEAL 1"BSP	1	
*11	05.434.01	ADAPTOR 1"BSP X 1"BSP	1	
*12	06.967.01	PLATE - FILLER	1	
12	05.281.01	FLAT WASHER 8MM PLATED	4	
12	05.286.01	NUT M8 PLATED	4	
*14	03.823.01	GASKET	2	
*15	03.822.01	PLATE - FILTER MOUNTING	1	
15	05.281.01	FLAT WASHER 8MM PLATED	4	
15	05.286.01	NUT M8 PLATED	4	

* MAIN PART IN GROUP, RELATED PARTS HAVE SAME REFERENCE NUMBER.

TO FIVE PORT
DISTRIBUTION BLOCK



ACCUMULATOR

71.216.01

REF	PART NO.	DESCRIPTION	QTY	SERIAL NO. FROM - TO
*01	05.290.04	BONDED SEAL 3/8"BSP	3	
*02	05.124.01	ADAPTOR 3/8" BSP X 3/8" BSP	2	
*03	02.714.01	ADAPTOR-SWIVEL ST 3/8BSP M/F	1	
*04	05.176.01	ISOLATOR VALVE ASSY 3/8"BSP	1	
*05	05.991.14	HOSE 3/8"BSP X 700MM	1	
*06	03.590.01	ADAPTOR 1"BSP X 3/8"BSP	1	
*07	05.290.07	BONDED SEAL 1"BSP	1	
*08	03.589.01	HYDRA CUSHION 2 LITRE	1	
*09	03.637.01	BRACKET-HYDRA CUSHION	1	
*10	03.034.01	PLATE - CLAMPING	1	
10	05.282.03	SPRING WASHER 12MM PLATED	2	
10	05.286.03	NUT M12 PLATED	2	
10	05.292.24	BOLT M12 X 110MM PLATED	2	
*11	03.591.01	BRACKET - HYDRA CUSHION	1	
11	05.264.12	SETSCREW M10 X 25MM PLATED	2	
11	05.282.02	SPRING WASHER 10MM PLATED	2	
11	05.286.02	NUT M10 PLATED	2	

* MAIN PART IN GROUP, RELATED PARTS HAVE SAME REFERENCE NUMBER

BOMFORD

B588

2

BOMFORD

B728

B75411

B75411

**APPROVED OILS FOR USE IN ALL BOMFORD
HYDRAULIC MACHINES**

The following oils are approved for use in all Bomford Hydraulic Machines. Any oil not on this list will invalidate warranty claims. Hydraulic oil symbol

Hydraulic	Hyper AW 46 (not AWS 46)	H
	Hyper AW 68 (not AWS 68)	H
	Agricultural Hydraulic Oil	H
	Agricultural Multi Use (OW 10)	H
	Exxon only not 20 10	H
Hydraulic	Agri 1M (OW 10)	H
Hydraulic	Energol SHF 32 (ISO)	H
	Energol SHF 46 (ISO)	H
	Energol HLP 32 (ISO)	H
Hydraulic	Gamma LHC 10 Hydraulic Oil	H
	Farm Hydraulic Oil No. 4	H
	Fleetor Multigrade (OW 10)	H
	Univar N46	H
Hydraulic	Hydraulic Oil (OW 10)	H
	Guilflube Motor Oil RHD (OW 10)	H
	Guilflube Motor Oil 12AW	H
	Mobil (OW 10)	H
	Hydraulic Oil 10	H
Hydraulic	Alpha (OW 10)	H
	Hydraulic 66	H
Hydraulic	FVT 40 Fluid (Fire Resistant Hydraulic Oil)	H
	DTE 5	H
Hydraulic	Fina Delta Multigrade (OW 10)	H
	Fina Hydar 1	H
Hydraulic	Tellus 146	H
	Tellus 15	H
Hydraulic	Maxim Motor Oil SAE 10	H

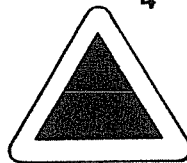
For UK operations it is strongly recommended that this should be used meeting identification H.
Any Lithium-based grease can be used for lubricating grease nipples.

**LIFT FROM POINTS
MARKED WITH**



**SUITABLE FOR PRE-ASSEMBLY
TRANSIT ONLY**

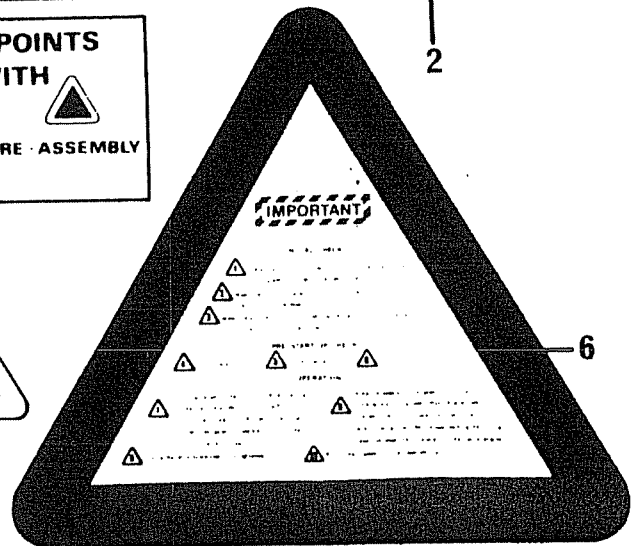
4



5

3

2



6

CRANE LIFTING CAPACITY

DRY WEIGHT OF THIS UNIT DOES NOT EXCEED

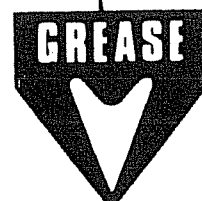
1500 Kg. (3300 lbs)

FOR OPERATIONAL WEIGHT ADD ATTACHMENTS, OIL, ETC.
If in doubt contact Bomford & Evershed Ltd.

06 007 06

8

7



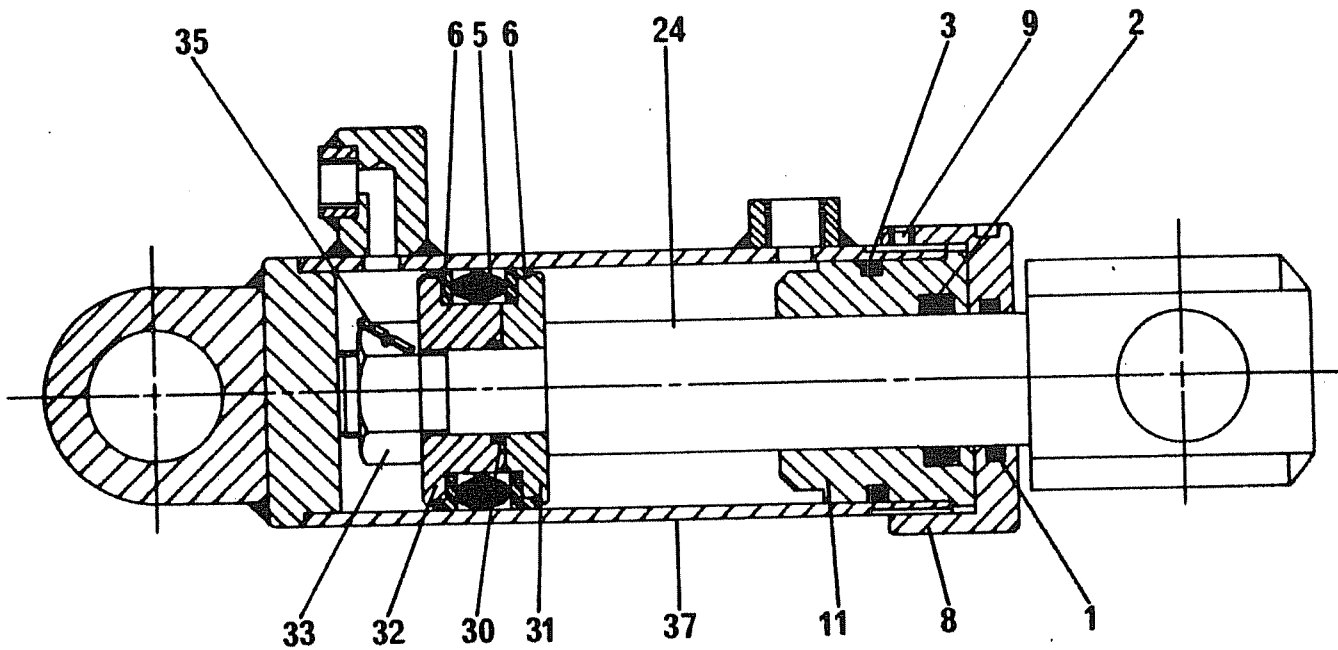
71.215.03, 71.226.03
71.933.01, 71.932.01

REF	PART NO.	DESCRIPTION	QTY	SERIAL NO. FROM - TO
*02/	07.524.01	DECAL - BOMFORD B588 LH	1	
02/	07.524.02	DECAL - BOMFORD B588 RH	1	
*02+	07.524.03	DECAL - BOMFORD B728 LH	1	
02+	07.524.04	DECAL - BOMFORD B728 RH	1	
*03	02.783.03	DECAL - APPROVED OILS	1	
*04	02.948.01	DECAL - LIFTING POINT INST.	1	
*05	02.950.01	DECAL - LIFTING POINT	1	
*06	02.737.06	DECAL - INSTRUCT.CHECK (ENGLISH)	1	
*07	03.785.01	DECAL - GREASE	7	
*08	06.007.06	DECAL - WEIGHT 1500KG	1	

+ B728 MACHINE ONLY
/ B588 MACHINE ONLY

* MAIN PART IN GROUP, RELATED PARTS HAVE SAME REFERENCE NUMBER

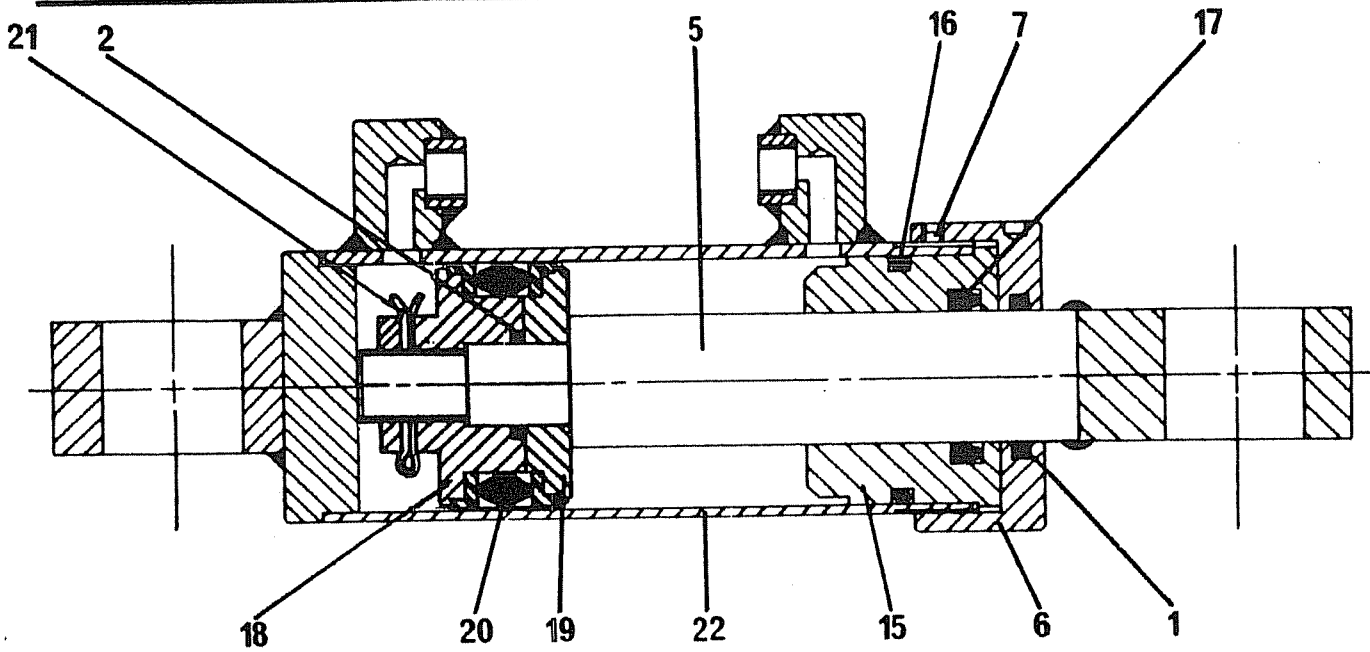
EXTENSION RAM 02.901.33
DOUBLE ACTING RAM 90mm BORE 150mm STROKE



REF	PART NO.	DESCRIPTION	QTY
00	02.901.26	SEAL KIT (02.901.33 RAM) COMPRISING ITEMS 1 - 6	-
*01	03.455.01	SEAL - WIPER 69 X 49 X 8	1
*02	03.454.01	SEAL - PRESSURE 66 X 48 X 10	1
*03	03.456.02	O-RING 78 I/D X 6	1
*05	03.452.02	SEAL - PRESSURE 90 X 70 X 23	1
*06	03.453.02	WEAR RING 90 X 70 X 10	2
08	02.901.02	CYLINDER CAP	1
09	05.388.03	SOCKET GRUBSCREW M6 X 6MM	1
11	02.901.03	FRONT INSERT	1
24	02.901.17	RAM ROD (ONE PIECE) 50MM DIA.	1
30	02.901.27	O-RING 35.5 X 3	1
31	02.901.28	SPECIAL WASHER	1
32	02.901.29	PISTON	1
33	05.286.08	NUT M36	1
35	05.284.19	SPLIT PIN 3/16" X 3"	1
37	02.901.32	CYLINDER (90DEG PORT)	1

* ITEMS NOT AVAILABLE SEPARATELY - SEE 02.901.26 SEAL KIT

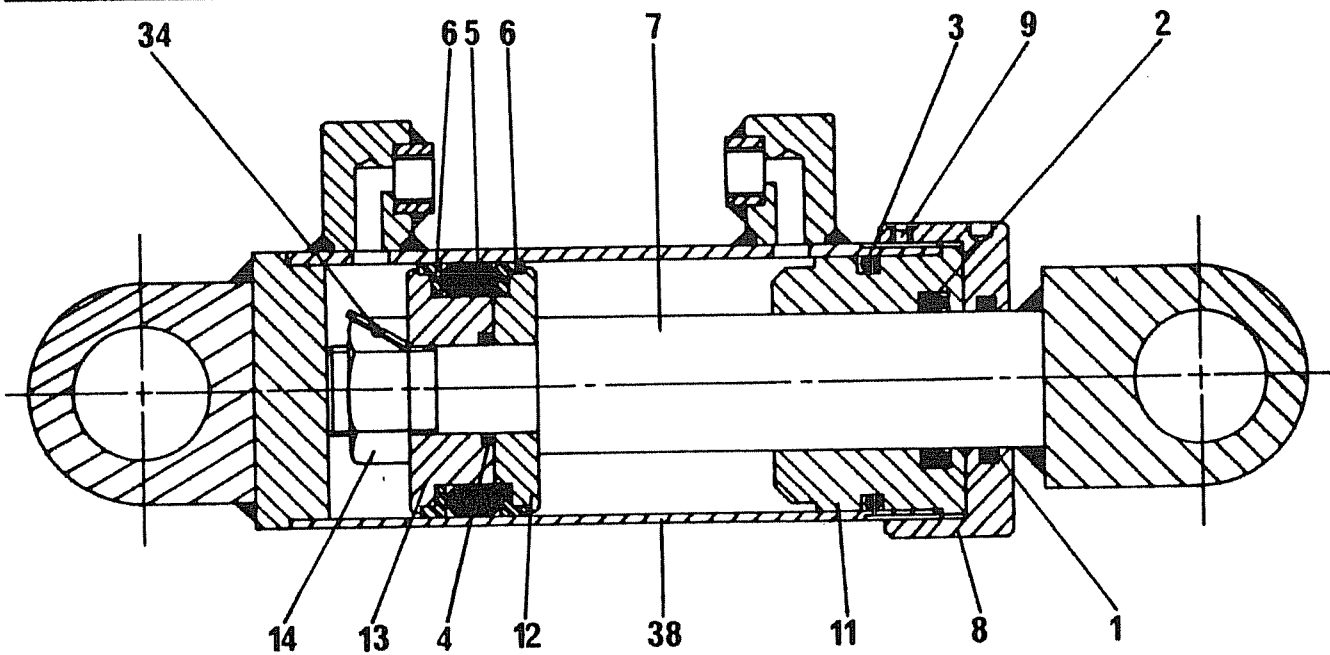
FIRST RAM 02.900.21
DOUBLE ACTING RAM 100mm BORE 445mm STROKE



REF	PART NO.	DESCRIPTION	QTY
00	02.900.19	SEAL KIT (FOR 02.900.14 RAM) COMPRISING ITEMS 1, 2, 16, 17 AND 20	-
*01	03.455.01	SEAL - WIPER 69 X 49 X 8	1
*02	03.456.01	O-RING 32 I/D X 3	1
05	02.900.01	RAM ROD 50MM DIA.	1
06	02.900.02	CYLINDER CAP	1
07	05.388.03	SOCKET GRUBSCREW M6 X 6MM	1
15	02.900.11	FRONT INSERT	1
*16	03.456.07	O-RING 88 I/D X 6	1
*17	03.454.01	SEAL - PRESSURE 66 X 48 X 10	1
18	02.900.15	PISTON	1
19	02.900.16	PISTON FLANGE	1
*20	02.900.17	SEAL - PRESSURE	1
21	05.284.99	SPLIT COTTER 5/32" X 2.1/2"	1
22	02.900.22	CYLINDER - 90DEG PORTS	1

*ITEMS NOT AVAILABLE SEPARATELY - SEE 02.900.19 SEAL KIT

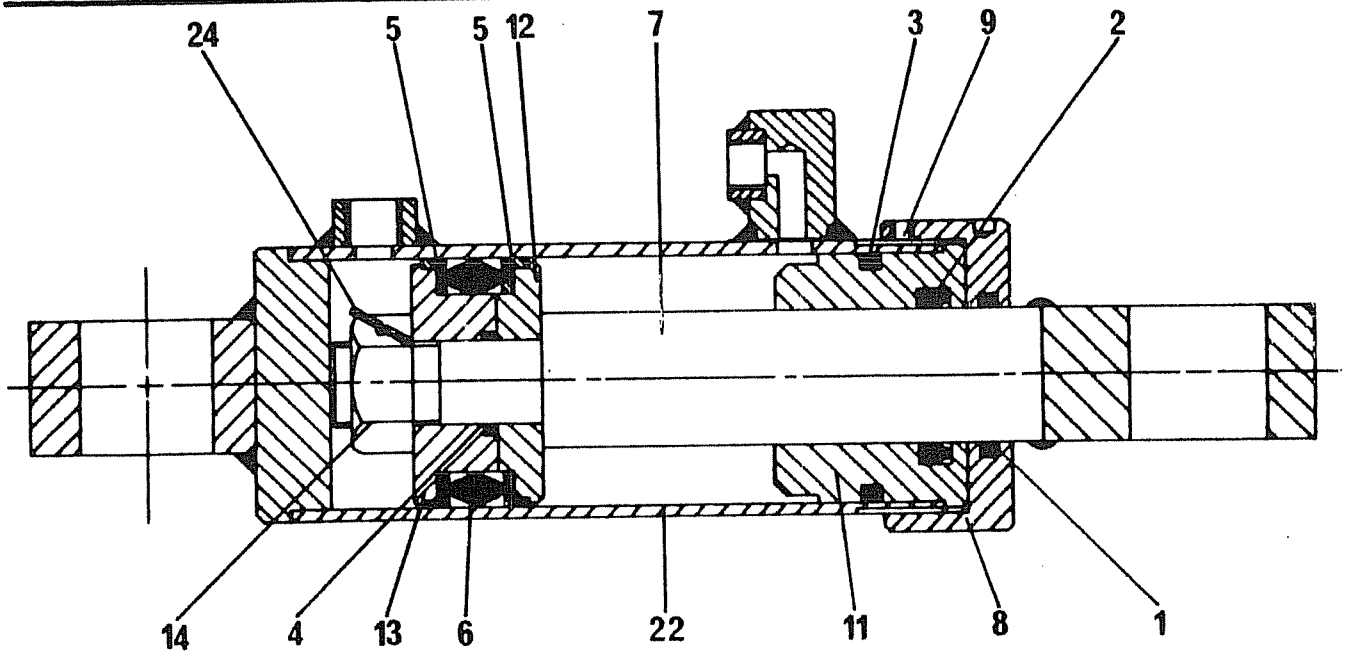
**SECOND RAM 02.901.34
DOUBLE ACTING RAM 90mm BORE 445mm STROKE**



REF	PART NO.	DESCRIPTION	QTY
00	02.901.26	SEAL KIT (02.901.34 RAM) COMPRISING ITEMS 1 - 6	-
*01	03.455.01	SEAL - WIPER 69 X 49 X 8	1
*02	03.454.01	SEAL - PRESSURE 66 X 48 X 10	1
*03	03.456.02	O-RING 78 I/D X 6	1
*04	03.456.01	O-RING 32 I/D X 3	1
*05	03.452.02	SEAL - PRESSURE 90 X 70 X 23	1
*06	03.453.02	WEAR RING 90 X 70 X 10	2
07	02.901.01	RAM ROD 50MM DIA.	1
08	02.901.02	CYLINDER CAP	1
09	05.388.03	SOCKET GRUBSCREW M6 X 6MM	1
11	02.901.03	FRONT INSERT	1
12	02.901.04	BACKING WASHER	1
13	02.901.05	PISTON	1
14	05.286.07	NUT M30	1
34	05.284.99	SPLIT COTTER 5/32" X 2.1/2"	1
38	02.901.37	CYLINDER (90DEG PORT)	1

* ITEMS NOT AVAILABLE SEPARATELY - SEE 02.901.26 SEAL KIT

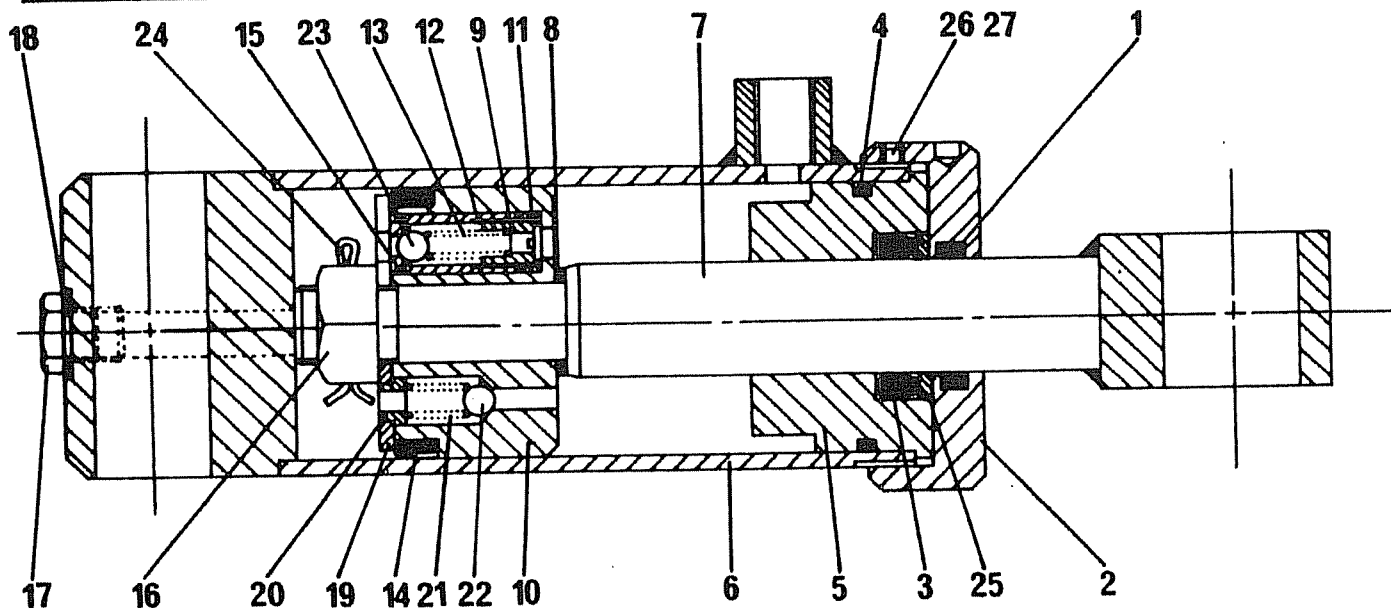
**THIRD AND FOURTH RAMS 02.902.17
DOUBLE ACTING RAM 70mm BORE 430mm STROKE**



REF	PART NO.	DESCRIPTION	QTY
00	02.902.08	SEAL KIT (02.902.17 RAM) COMPRISING ITEMS 1 - 6	-
*01	03.455.02	SEAL - WIPER 52 X 39 X 8	1
*02	03.454.02	SEAL - INSERT 50 X 39 X 10	1
*03	03.456.04	O-RING 58 I/D X 6	1
*04	03.456.03	O-RING 27 I/D X 3	1
*05	03.453.03	WEAR RING 70 X 50 X 10	2
*06	03.452.04	SEAL - PRESSURE 70 X 50 X 23	1
07	02.902.01	RAM ROD 40MM DIA.	1
08	02.902.02	CYLINDER CAP	1
09	05.388.03	SOCKET GRUBSCREW M6 X 6MM	1
11	02.902.03	FRONT INSERT	1
12	02.902.04	BACKING WASHER	1
13	02.902.05	PISTON	1
14	05.286.06	NUT M24	1
22	02.902.20	CYLINDER	1
24	05.284.98	SPLIT COTTER 5/32" X 2"	1

*ITEMS NOT AVAILABLE SEPARATELY - SEE 02.902.08 SEAL KIT

AUTO - RETURN RAM 02.785.19
70mm BORE 201.5mm STROKE



REF	PART NO.	DESCRIPTION	QTY
00	02.785.20	SEAL KIT (02.785.19 RAM) COMPRISING ITEMS 1, 3, 4, 14, 15 & 18	-
00	02.785.21	CARTRIDGE ASSY	1
*01	02.785.01	SEAL - WIPER	1
02	02.785.02	CYLINDER CAP	1
*03	02.785.03	SEAL - RAM ROD	1
*04	02.785.04	O-RING - INSERT	1
05	02.785.05	FRONT INSERT	1
06	02.785.06	CYLINDER	1
07	02.785.07	RAM ROD 30MM DIA.	1
*08	05.290.10	BONDED SEAL 20MM I/D	1
09	02.785.09	ADJUSTING SCREW	1
10	02.785.18	PISTON	1
11	02.785.08	LOCKING COLLAR	1
12	02.785.10	CARTRIDGE BODY	1
13	02.785.11	SPRING 8 DIA X 35	1
*14	02.785.17	SEAL-PRESSURE 70 DIA X 10	1
*15	02.785.12	O-RING - CARTRIDGE	1
16	05.286.05	NUT M20	1
17	02.785.13	PLUG 1/4" BSP	1
*18	05.290.02	BONDED SEAL 1/4" BSP	1
19	02.785.16	BACKING WASHER	1
20	02.785.15	SPIGOT 12 O/D X 6	1
21	00.869.02	SPRING-COMP. 5/16 DIA X 1"	1
22	00.869.03	BALL BEARING 5/16 DIA	1
23	00.869.03	BALL BEARING 5/16 DIA	1
24	05.284.97	SPLIT COTTER 5/32" X 1.3/4"	1
25	02.785.22	ANTI-EX. RING	1
26	05.388.03	SOCKET GRUBSCREW M6 X 6MM	1

*ITEMS NOT AVAILABLE SEPARATELY - SEE 02.785.20 SEAL KIT