

PM967

B58-58

ARM MOWER

PARTS MANUAL
ISSUE 1

IMPORTANT

NOTE HERE THE SERIAL NUMBER OF YOUR MACHINE AND ALWAYS QUOTE IT IN ANY COMMUNICATION WITH US OR YOUR DEALER. THIS IS PARTICULARLY IMPORTANT WHEN ORDERING SPARES. REMEMBER TO INCLUDE ALL NUMBERS AND LETTERS.

MACHINE SERIAL NUMBERS _____

THE INFORMATION GIVEN THROUGHOUT THIS MANUAL IS CORRECT AT THE TIME OF PUBLICATION. HOWEVER, IN THE COURSE OF CONSTANT DEVELOPMENT OF BOMFORD TURNER MACHINES, CHANGES IN SPECIFICATION ARE INEVITABLE. SHOULD YOU FIND THE INFORMATION GIVEN IN THIS BOOK TO BE AT VARIANCE WITH THE MACHINE IN YOUR POSSESSION, YOU ARE ADVISED TO CONTACT THE BOMFORD TURNER SERVICE DEPARTMENT WHERE UP-TO-DATE INFORMATION WILL BE PROVIDED.

THE MANUAL CAN CONTAIN STANDARD AND OPTIONAL FEATURES AND IS NOT TO BE USED AS A MACHINE SPECIFICATION.

THE MACHINE HAS BEEN TESTED AND IS CONSIDERED SAFE IF CAREFULLY USED. ENSURE YOUR OPERATOR IS PROPERLY TRAINED IN ITS USE AND MAINTENANCE.

IMPORTANT

NOTEZ ICI LES NUMEROS DE SERIE DE VOTRE MACHINE ET MENTIONNEZ LES DANS TOUTE COMMUNICATION AVEC NOS SERVICES OU VOTRE REVENDEUR. CE CI EST IMPORTANT POUR LA COMMANDE DE PIECES DETACHEES. PENSEZ A NOTER TOUS LES NUMEROS ET TOUTES LES LETTERS.

NUMEROS DE SERIE DE LA MACHINE _____

LES INFORMATIONS DONNEES DANS CE MANUEL SONT CORRECTES CEPENDANT, DU FAIT DE DEVELOPPEMENT CONSTANT DES MACHINES BOMFORD TURNER.

CHANGEMENTS DANS LES CARACTERISTIQUES SONT INEVITABLES.

SI VOUS TROUVEZ QUE LES INFORMATIONS DONNEES NE CORRESPONDENT PAS A VOTRE MACHINE VEUILLEZ CONTACTER LE SERVICE DES REPARATIONS OU DES INFORMATIONS PLUS RECENTES VOUS SERONT DONNEES. CE MANUEL PEUT MONTRER DES CARACTERISTIQUES OPTIONNELLES ET NE PEUT PAS ETRE CONSIDERE COMME SPECIFICATION DE LA MACHINE.

CETTE MACHINE A ETE TESTEE, ET ELLE EST CONSIDEREE COMME FIABLE A CONDITION D'UNE BONNE UTILISATION. ASSUREZ-VOUS QUE VOTRE OPERATEUR EST QUALIFIE EN CE QUI CONCERNE L'UTILISATION DE LA MACHINE AINSI QUE SON ENTRETIEN.

WICHTIG

TRAGEN SIE HIER DIE SERIENNUMMERN IHRER MASCHINE EIN UND GEBEN SIE DIESE IMMER AN, WENN SIE SICH AN UNS ODER IHREN HÄNDLER WENDEN. DAS IST BESONDERS BEI ERSATZTEILBESTELLUNGEN WICHTIG. VERGESSEN SIE NICHT, ALLE ZAHLEN UND BUCHSTABEN ZU NOTIEREN.

SERIENNUMMERN DER MASCHINE _____

DIE ANGABEN IN DIESEM HANDBUCH SIND BEI VERÖFFENTLICHUNG KORREKT. AUFGRUND DER KONSTANTEN WEITERENTWICKLUNG VON BOMFORD TURNER MASCHINEN SIND JEDOCHÄNDERUGDEN IN DER SPEZIFIKATION UNVERMEIDLICH. WENN DIE INFORMATION IN DIESEM HANDBUCH NICHT MIT IHRER MASCHINE ÜBEREINSTIMMEN, NEHMEN SIE BITTE KONTAKT MIT DER BOMFORD TURNER KUNDENDIENSTABTEILUNG AUF, DIE IHNEN GERNE DIE AKTUELLEN INFORMATION ZUKOMMEN LÄSST.

DAS HANDBUCH KANN SOWOHL BESCHREIBUNGEN FÜR DIE STANDARD AUSFÜHRUNG ALS AUCH FÜR ZUBEHÖR ENTHALTEN UND IST NICHT ALS MASCHINENSPEZIFIKATION ZU VERWENDET.

DIE MASCHINE IST GETESTET UND BEI SACHGEMÄSSEM BETRIEB ALS SICHER BEFUNDEN WORDEN. SORGEN SIE DAFÜR, DASS IHR BEDIENPERSONAL IN ANWENDUNG UND WARTUNG RICHTIG GESCHULT WIRD.

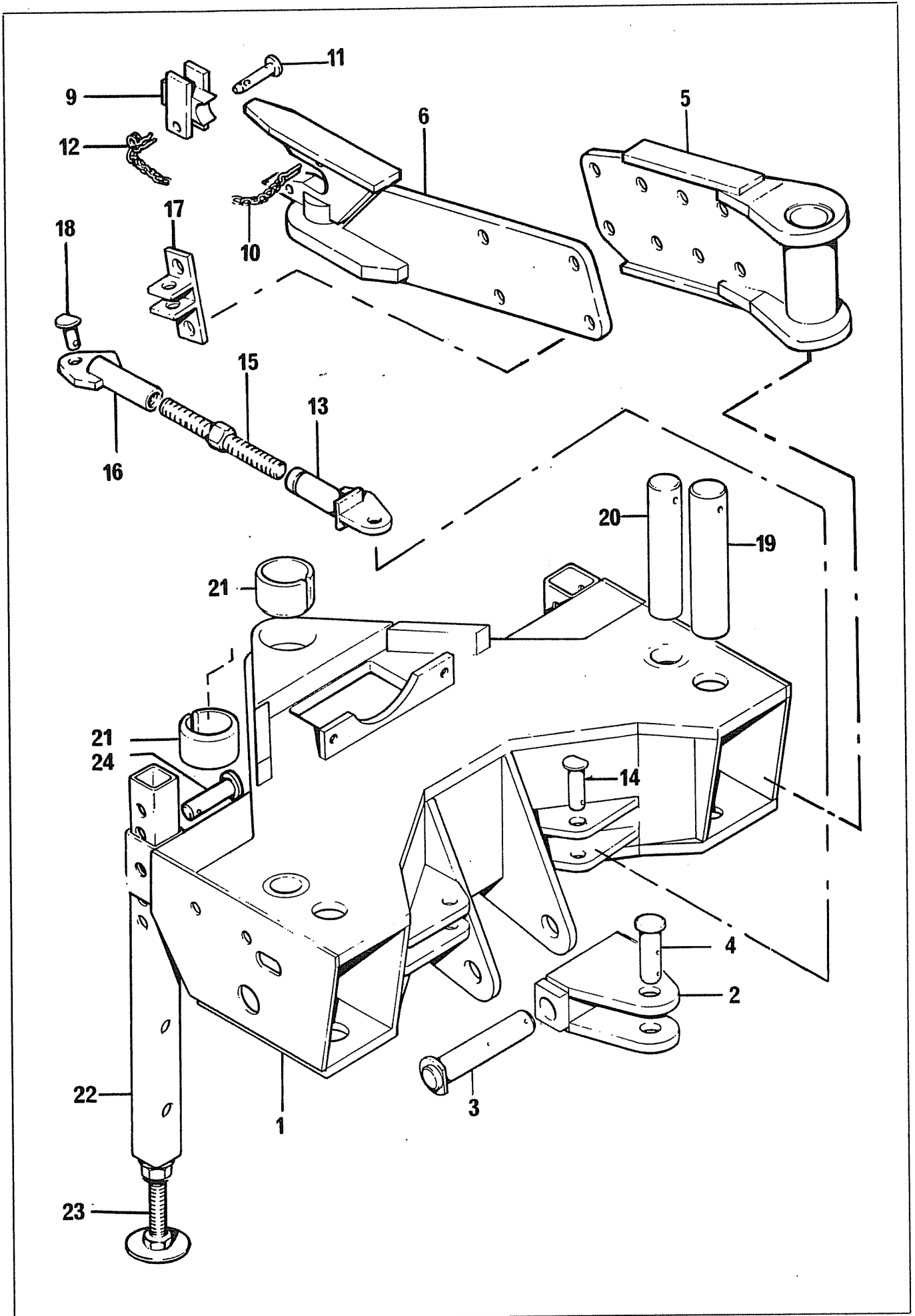
PAGE NO.	TITLE	SCHEDULE NO.
2-1 TO 2-2	MAINFRAME ASSEMBLY	70.795.01
3-1 TO 3-2	TANK ASSEMBLY	70.796.01
4-1 TO 4-4	KINGPOST ASSEMBLY	70.797.01
5-1 TO 5-2	PUMPS, GEARBOX & PTO ASSEMBLIES	70.824.01 70.799.01
6-1 TO 6-2	PUMPS CIRCUIT	70.812.01
7-1 TO 7-2	CONTROL VALVE ASSEMBLY	70.804.03
8-1 TO 8-2	REMOTE CONTROL ASSEMBLY	70.805.01
9-1 TO 9-3	RAM CIRCUIT: FIRST LEFT SLEW RAM	70.806.01
9-4 TO 9-5	RAM CIRCUIT: RIGHT SLEW TAM	70.807.01
9-6 TO 9-7	RAM CIRCUIT: COWL AND SECOND RAM	70.825.01 70.809.01
10-1 TO 10-2	FIRST ARM ASSEMBLY	70.818.01
11-1 TO 11-2	SECOND ARM ASSEMBLY	70.815.01
12-1 TO 12-2	TURNTABLE HEAD MOUNT AND COWL ANGLING ASSEMBLY	70.858.01 70.823.01
13-1 TO 13-2	DECALS - BASE B58-58	72.187.01
14-1 TO 14-2	ACCUMULATOR KIT	70.911.01

IMPORTANT

IT IS POTENTIALLY HAZARDOUS TO FIT OR USE
ANY PARTS OTHER THAN GENUINE BOMFORD TURNER PARTS.

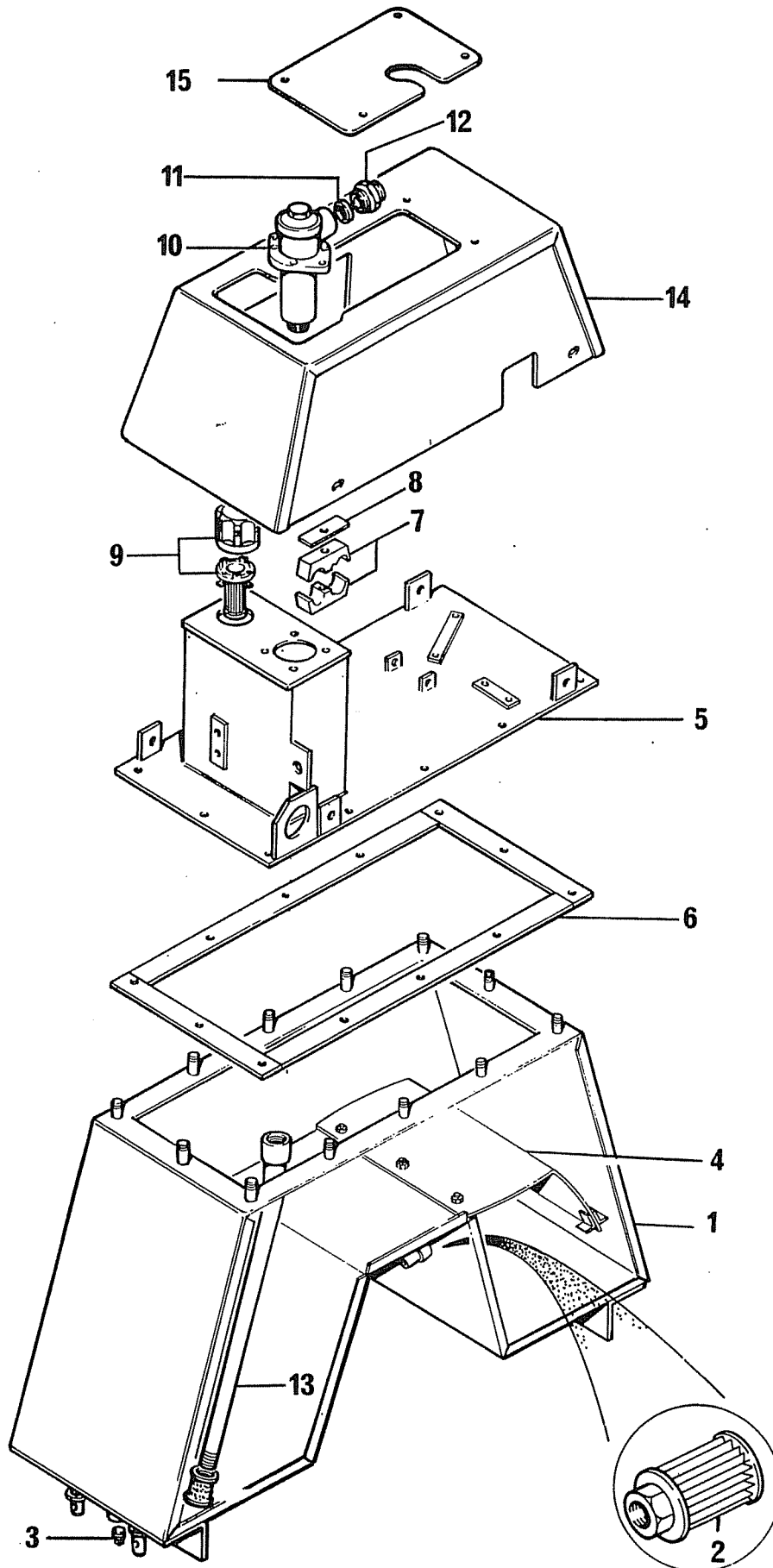
THE COMPANY DISCLAIMS ALL LIABILITY FOR THE
CONSEQUENCES OF SUCH USE, WHICH IN ADDITION
VOIDS THE MACHINE WARRANTY.

THIS MACHINE IS FOR VEGETATION CONTROL AND
MUST NOT BE USED FOR ANY OTHER PURPOSE.



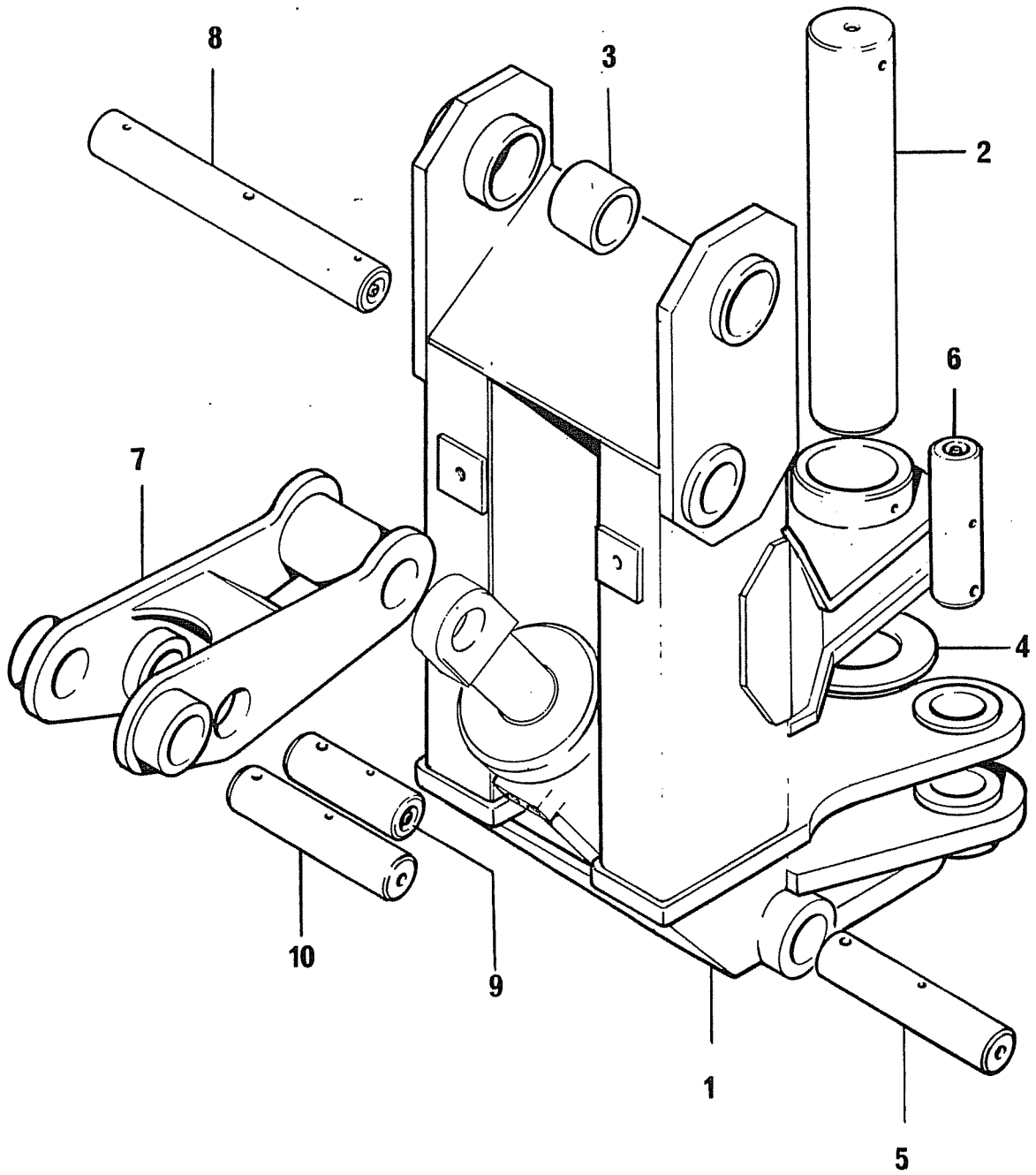
REF	PART NO.	DESCRIPTION	QTY	SERIAL NO. FROM - TO
70.795.01		MAINFRAME ASSEMBLY		
01	03.786.01	INSTRUCTION PLATE-GREASE M6	2	
01	05.227.01	HAMMER DRIVE SCREW NO.6 X 3/8"	2	
01	05.774.05	SERIAL No.PLATE BOMFORD TURNER	1	
01	05.953.01	GREASE NIPPLE M6	2	
*01	08.536.01	MAINFRAME	1	
*02	03.644.01	YOKE BRACKET	1	
*03	03.654.01	PIN 30 DIA X 198	1	
03	03.786.02	INSTRUCTION PLATE-GREASE M10	1	
03	05.284.14	SPLIT COTTER 5MM X 40MM	1	
03	05.953.03	GREASE NIPPLE M10	1	
*04	03.654.02	PIN 30 DIA X 94	1	
04	03.786.02	INSTRUCTION PLATE-GREASE M10	1	
04	05.284.16	SPLIT COTTER 5MM X 50MM	1	
04	05.953.03	GREASE NIPPLE M10	1	
05	03.786.01	INSTRUCTION PLATE-GREASE M6	2	
05	05.953.01	GREASE NIPPLE M6	2	
*05	08.543.01	PIVOT GATE	2	
*06	03.752.01	MOUNTING FORK	2	
06	05.282.05	SPRING WASHER 20MM PLATED	8	
06	05.286.05	NUT M20 PLATED	8	
06	05.292.41	BOLT M20 X 80MM PLATED	8	
*09	03.719.01	CATCH PLATE	2	
*10	03.255.05	CHAIN-RING ASSY	2	
*11	03.650.01	PIN 12 DIA X 68	2	
*12	05.964.01	SPRING COTTER 3.6MM DIA	2	
*13	03.805.01	BRACKET-TIE ROD L.H.	2	
*14	03.652.03	PIN 20 DIA X 79	2	
14	05.284.03	SPLIT COTTER 3.2MM X 36MM	2	
*15	03.804.01	TURNBUCKLE PLATED	2	
15	05.286.06	NUT M24 PLATED	2	
*16	03.806.01	BRACKET-TIE ROD R.H.	2	
*17	03.720.01	BRACKET-TIE ROD	2	
*18	03.652.02	PIN 20 DIA X 53	2	
18	05.284.03	SPLIT COTTER 3.2MM X 36MM	2	
*19	03.657.23	PIN - DIA 50 X 270	2	
19	05.282.03	SPRING WASHER 12MM PLATED	2	
19	05.286.03	NUT M12 PLATED	2	
19	05.292.22	BOLT M12 X 90MM PLATED	2	
*20	03.656.48	PIN - DIA 40 X 244	2	
20	05.282.02	SPRING WASHER 10MM PLATED	2	
20	05.286.02	NUT M10 PLATED	2	
20	05.292.11	BOLT M10 X 80MM PLATED	2	
*21	02.771.12	TENSION BUSH 85 X 70 X 50	2	
*22	08.651.01	STAND - PARKING	2	
*23	30.141.34	ADJUSTER FOOT	2	
24	00.372.01	LINCH PIN	4	
*24	03.652.01	PIN 20 DIA X 90	4	

*MAIN PART IN GROUP, RELATED PARTS HAVE SAME REFERENCE NUMBER.



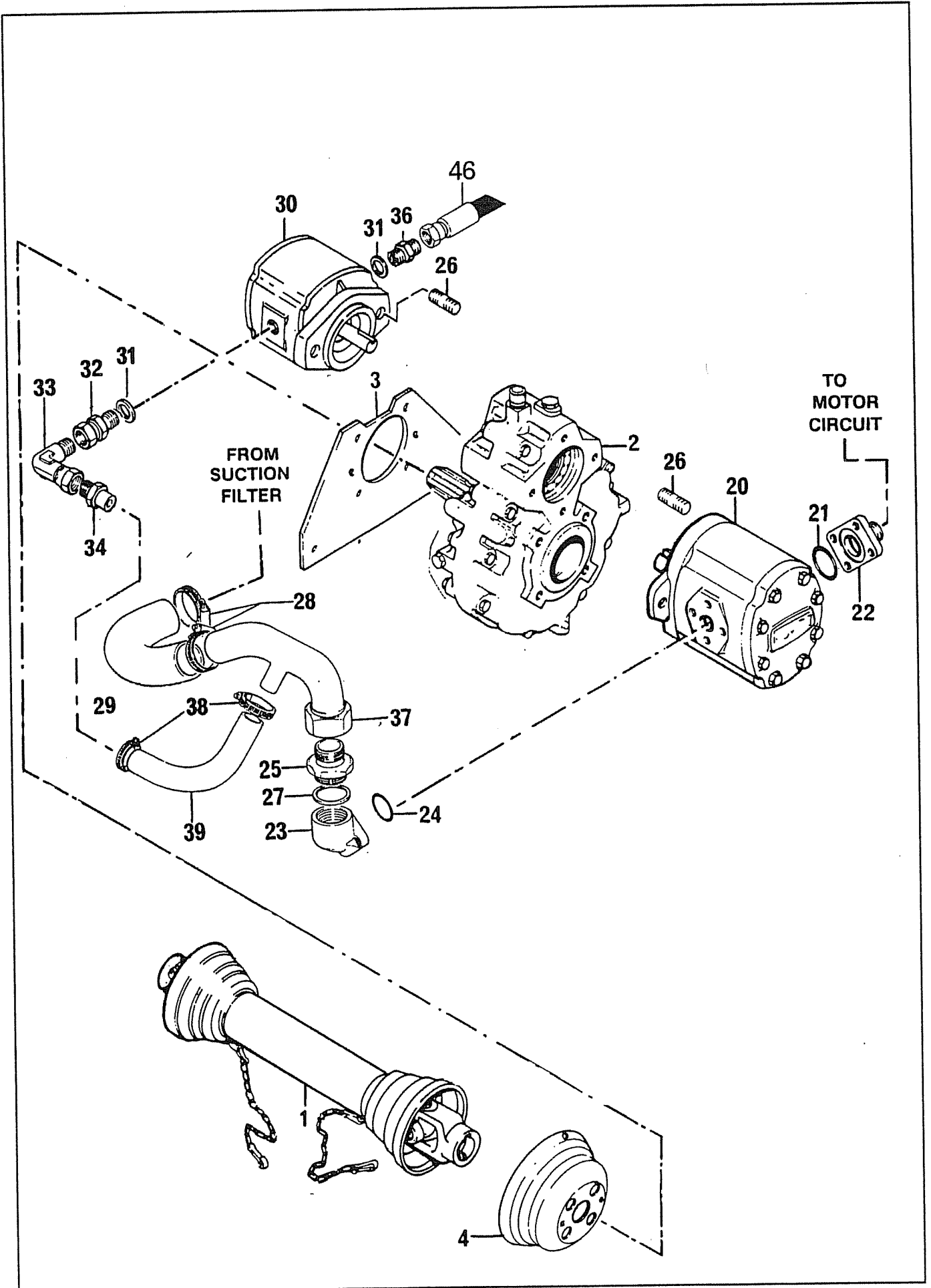
REF	PART NO.	DESCRIPTION	QTY	SERIAL NO. FROM - TO
70.796.01		TANK ASSEMBLY		
01	05.264.45	SETSCREW M20 X 40MM PLATED	2	
01	05.281.05	FLAT WASHER 20MM PLATED	2	
01	05.282.05	SPRING WASHER 20MM PLATED	2	
01	05.286.05	NUT M20 PLATED	2	
*01	08.539.01	TANK	1	
01	30.216.54	RIVNUT M8 FLAT HD 16.0 LG	3	
*02	05.367.02	FILTER - SUCTION	1	
*03	05.495.01	PLUG 1/2"BSPT PLATED	2	
04	05.281.01	FLAT WASHER 8MM PLATED	3	
04	05.282.01	SPRING WASHER 8MM PLATED	3	
*04	08.546.01	TANK BAFFLE	1	
04	08.621.01	THUMB SCREW - M8 X 25	3	
05	05.281.01	FLAT WASHER 8MM PLATED	12	
05	05.282.01	SPRING WASHER 8MM PLATED	12	
05	05.286.01	NUT M8 PLATED	12	
*05	08.540.01	TANK TOP	1	
*06	08.549.01	GASKET	1	
07	04.282.53	STUD M8 X 75	1	
07	05.281.01	FLAT WASHER 8MM PLATED	1	
07	05.282.01	SPRING WASHER 8MM PLATED	1	
07	05.286.01	NUT M8 PLATED	1	
*07	06.430.01	CLAMP HOSE 38 X 28	2	
*08	06.418.01	CLAMP PLATE 95 X 6	1	
*09	06.966.01	BREATHER CAP & STRAINER ASSY	1	
10	05.282.07	SPRING WASHER 6MM PLATED	4	
10	05.625.09	SOCKET-CAPSCREW M6 X 25MM PLATED	4	
10	06.516.04	GASKET	-	
10	06.516.22	FILTER ELEMENT	-	
*10	06.516.24	FILTER ASSEMBLY	1	
*11	05.290.07	BONDED SEAL 1"BSPT	1	
*12	05.434.01	ADAPTOR 1"BSPT X 1"BSPT	1	
*13	08.623.01	PIPE - FILTER EXTENSION	1	
*14	08.622.01	COVER-TANK TOP	1	
14	05.264.11	SETSCREW M10 X 20MM PLATED	4	
14	05.281.02	FLAT WASHER M10	4	
14	05.282.02	SPRING WASHER M10	4	
15	30.216.54	RIVNUT M8 FLAT HD 16.0 LG	5	
*15	08.791.01	COVER PLATE-PLATE	1	
15	05.264.02	SETSCREW M8 X 25MM PLATED	5	
15	05.281.01	FLAT WASHER M8 PLATED	5	
15	05.282.01	SPRING WASHER 8MM PLATED	5	

*MAIN PART IN GROUP, RELATED PARTS HAVE SAME REFERENCE NUMBER.



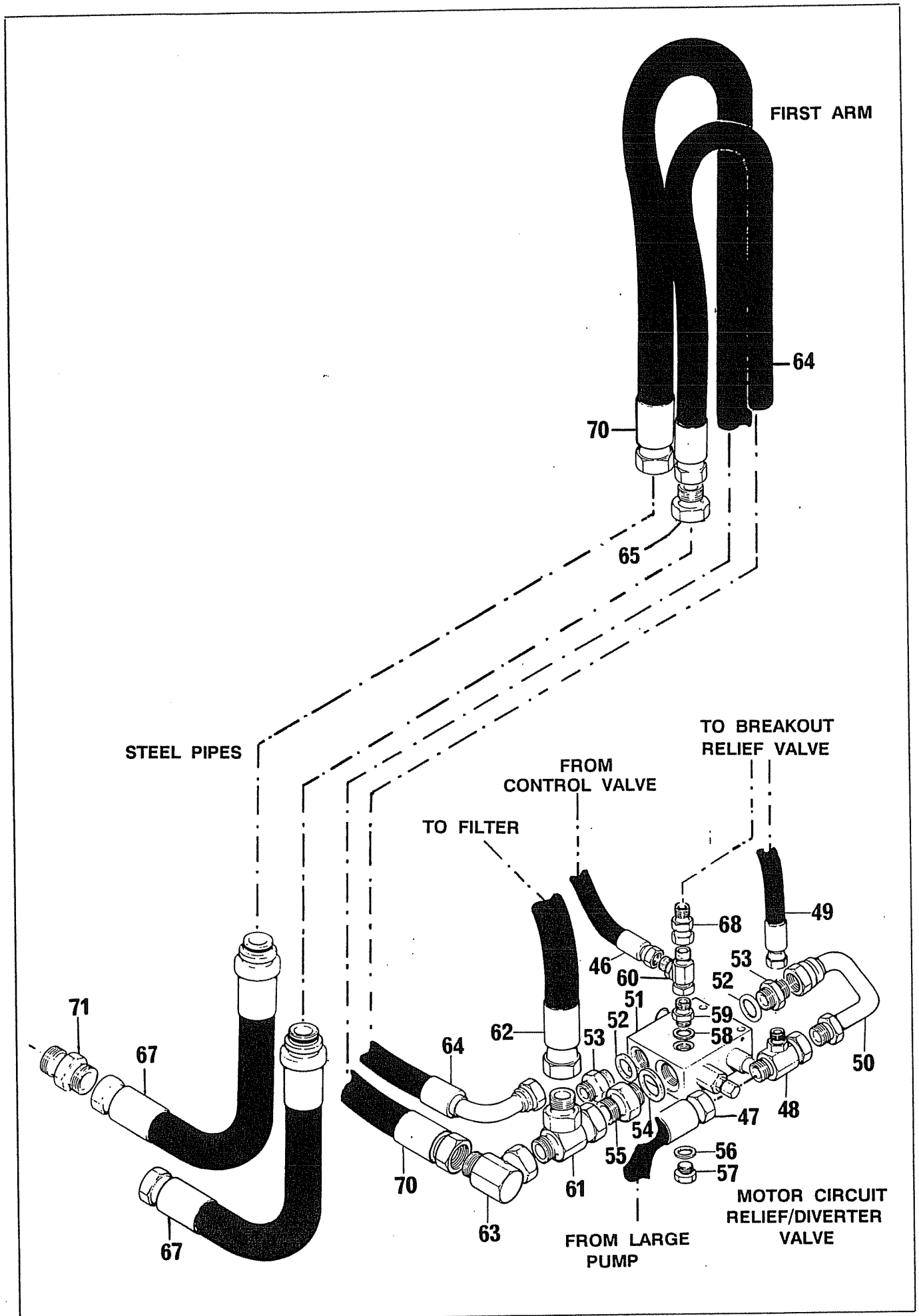
REF	PART NO.	DESCRIPTION	QTY	SERIAL NO. FROM - TO
70.797.01		KINGPOST ASSEMBLY		
*01	08.537.01	KINGPOST	1	
*02	03.658.04	PIN - DIA 70 X 426	1	
02	05.282.03	SPRING WASHER 12MM PLATED	1	
02	05.286.03	NUT M12 PLATED	1	
02	05.292.25	BOLT M12 X 120MM PLATED	1	
*03	08.297.01	BUSH - PLASTIC 60 X 50 X 50	2	
*04	08.541.01	THRUST WASHER	1	
*05	03.656.45	PIN - DIA 40 X 212	1	
05	03.786.01	INSTRUCTION PLATE-GREASE M6	1	
05	05.282.02	SPRING WASHER 10MM PLATED	1	
05	05.286.02	NUT M10 PLATED	1	
05	05.292.11	BOLT M10 X 80MM PLATED	1	
05	05.953.01	GREASE NIPPLE M6	1	
*06	03.656.47	PIN - DIA 40 X 148	2	
06	03.786.01	INSTRUCTION PLATE-GREASE M6	2	
06	05.282.02	SPRING WASHER 10MM PLATED	2	
06	05.286.02	NUT M10 PLATED	2	
06	05.292.11	BOLT M10 X 80MM PLATED	2	
06	05.953.01	GREASE NIPPLE M6	2	
*07	08.538.01	EXTENSION BRACKET	1	
*08	03.656.42	PIN - DIA 40 X 336	1	
08	03.786.01	INSTRUCTION PLATE-GREASE M6	2	
08	05.282.02	SPRING WASHER 10MM PLATED	1	
08	05.286.02	NUT M10 PLATED	1	
08	05.292.11	BOLT M10 X 80MM PLATED	1	
08	05.953.01	GREASE NIPPLE M6	2	
*09	03.656.43	PIN - DIA 40 X 127	1	
09	03.786.01	INSTRUCTION PLATE-GREASE M6	1	
09	05.282.02	SPRING WASHER 10MM PLATED	1	
09	05.286.02	NUT M10 PLATED	1	
09	05.292.11	BOLT M10 X 80MM PLATED	1	
09	05.953.01	GREASE NIPPLE M6	1	
*10	03.656.46	PIN - DIA 40 X 193	1	
10	03.786.01	INSTRUCTION PLATE-GREASE M6	1	
10	05.282.02	SPRING WASHER 10MM PLATED	1	
10	05.286.02	NUT M10 PLATED	1	
10	05.292.11	BOLT M10 X 80MM PLATED	1	
10	05.953.01	GREASE NIPPLE M6	1	

*MAIN PART IN GROUP, RELATED PARTS HAVE SAME REFERENCE NUMBER.



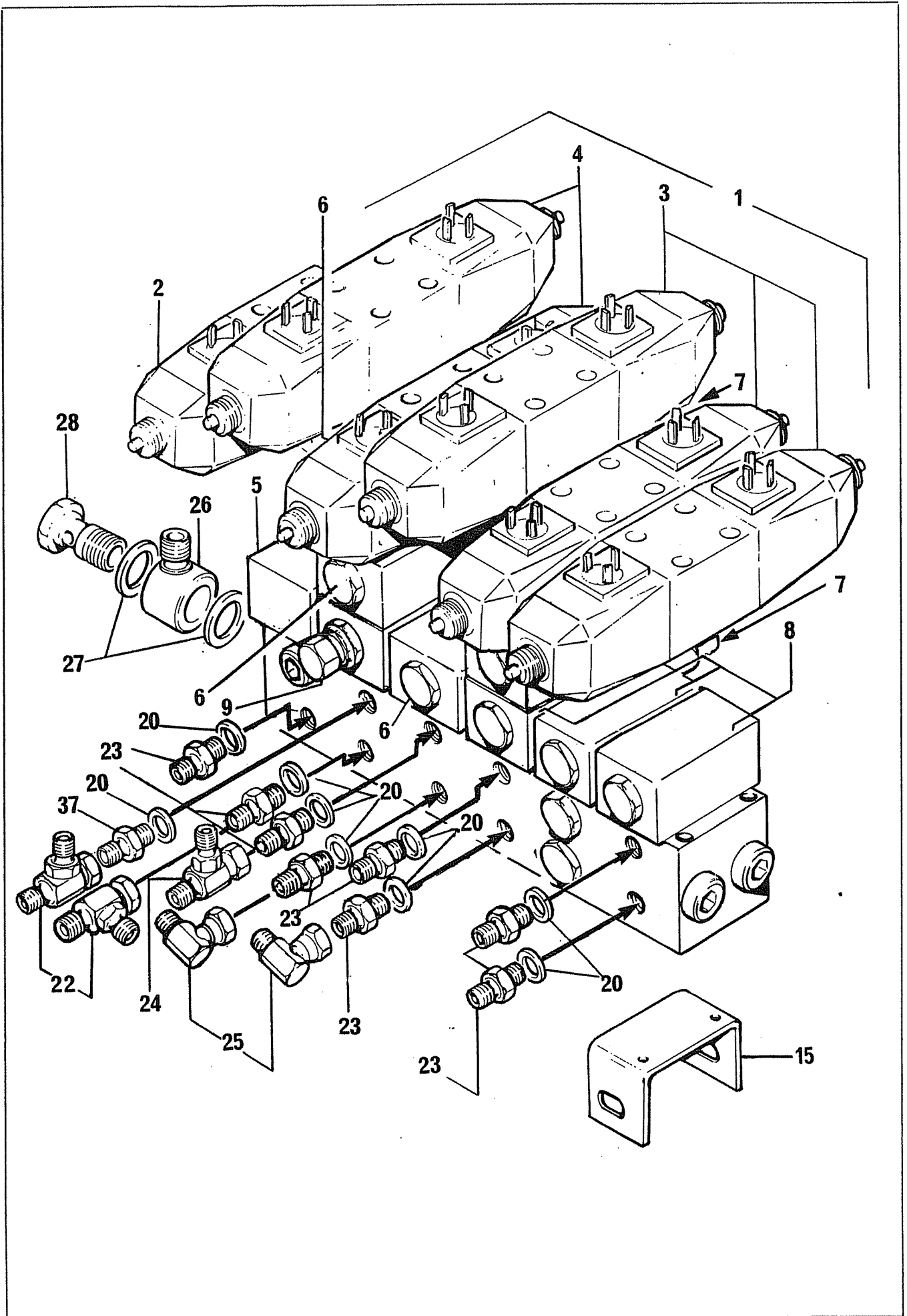
REF	PART NO.	DESCRIPTION	QTY	SERIAL NO. FROM - TO
70.824.01		GEARBOX & PTO ASSEMBLIES		
*01	04.402.01	PTO SHAFT ASSY 560MM C/C	1	
01	04.402.02	PTO GUARD ASSY 560MM C/C	1	
01	06.154.13	PTO JOURNAL BEARING KIT	1	
02	05.264.22	SETSCREW M12 X 25MM PLATED	4	
02	05.281.03	FLAT WASHER 12MM PLATED	4	
02	05.282.03	SPRING WASHER 12MM PLATED	4	
*02	07.727.01	GEARBOX ASSY - 100 LIT TWIN/P	1	
03	05.264.24	SETSCREW M12 X 35MM PLATED	2	
03	05.281.03	FLAT WASHER 12MM PLATED	2	
03	05.282.03	SPRING WASHER 12MM PLATED	2	
03	05.286.03	NUT M12 PLATED	2	
*03	07.728.01	PLATE - GEARBOX MOUNTING	1	
04	05.281.01	FLAT WASHER 8MM PLATED	2	
04	05.282.01	SPRING WASHER 8MM PLATED	2	
*04	08.548.01	GUARD - PLASTIC PTO CUP	1	
04	30.068.95	SCREW M8 X 12 8.8 GRADE Z/P	2	
70.799.01		PUMP ASSEMBLY		
20	01.071.13	KEY-SEP 1/4" X 1/4" X 1"	-	
20	05.642.02	SEAL KIT (05 650 PUMPS)	-	
*20	05.650.02	PUMP ASSY (207 BAR)	1	
*21	05.656.03	"O"RING 28 I/D X 2.5	1	
*22	03.864.01	ADAPTOR-FLANGED 3/4" BSP PLATED	1	
22	05.282.01	SPRING WASHER 8MM PLATED	4	
22	05.657.01	SCKT CAPSCRW 5/16" UNC X 7/8" PLT	4	
23	05.282.01	SPRING WASHER 8MM PLATED	2	
23	05.657.01	SCKT CAPSCRW 5/16" UNC X 7/8" PLT	2	
*23	30.210.83	CONNECTOR 2P E10 IN	1	
*24	30.210.84	'O' RING (FOR 2PE10 IN)	1	
*25	05.640.01	ADAPTOR 1.1/2" BSP X 1.1/4" BSP	1	
*26	03.100.01	STUD M10 X 34MM	4	
26	05.282.02	SPRING WASHER 10MM PLATED	4	
26	05.286.02	NUT M10 PLATED	4	
*27	05.290.08	BONDED SEAL 1.1/4" BSP	1	
*28	05.863.02	JUBILEE CLIP 2"DIA	2	
*29	06.288.07	HOSE 1.1/2" BORE X 520MM	1	
*30	06.415.01	PUMP-SPARE ALSO SUPPLY 0716701	1	
30	06.415.02	SEAL KIT (06415 PUMP)	-	
*31	05.290.05	BONDED SEAL 1/2" BSP	1	
*32	02.714.04	ADAPTOR - 1/2" BSP M-F SWIV. ST	1	
*33	05.835.05	ADAPTOR-SWIVEL 90 1/2" BSP M/F	1	
*34	04.244.01	ADAPTOR 1/2" BSP X 3/4" O/D	1	
*36	05.123.01	ADAPTOR 1/2" BSP X 3/8" BSP	1	
*37	08.565.01	HOSE - STEEL SUCTION	1	
*38	05.863.03	JUBILEE CLIP 25MM DIA	2	
*39	05.983.10	HOSE 3/4" BORE X 220MM	1	
*46	05.991.16	HOSE 3/8" BSP X 800MM ST X 90	1	

*MAIN PART IN GROUP, RELATED PARTS HAVE SAME REFERENCE NUMBER.



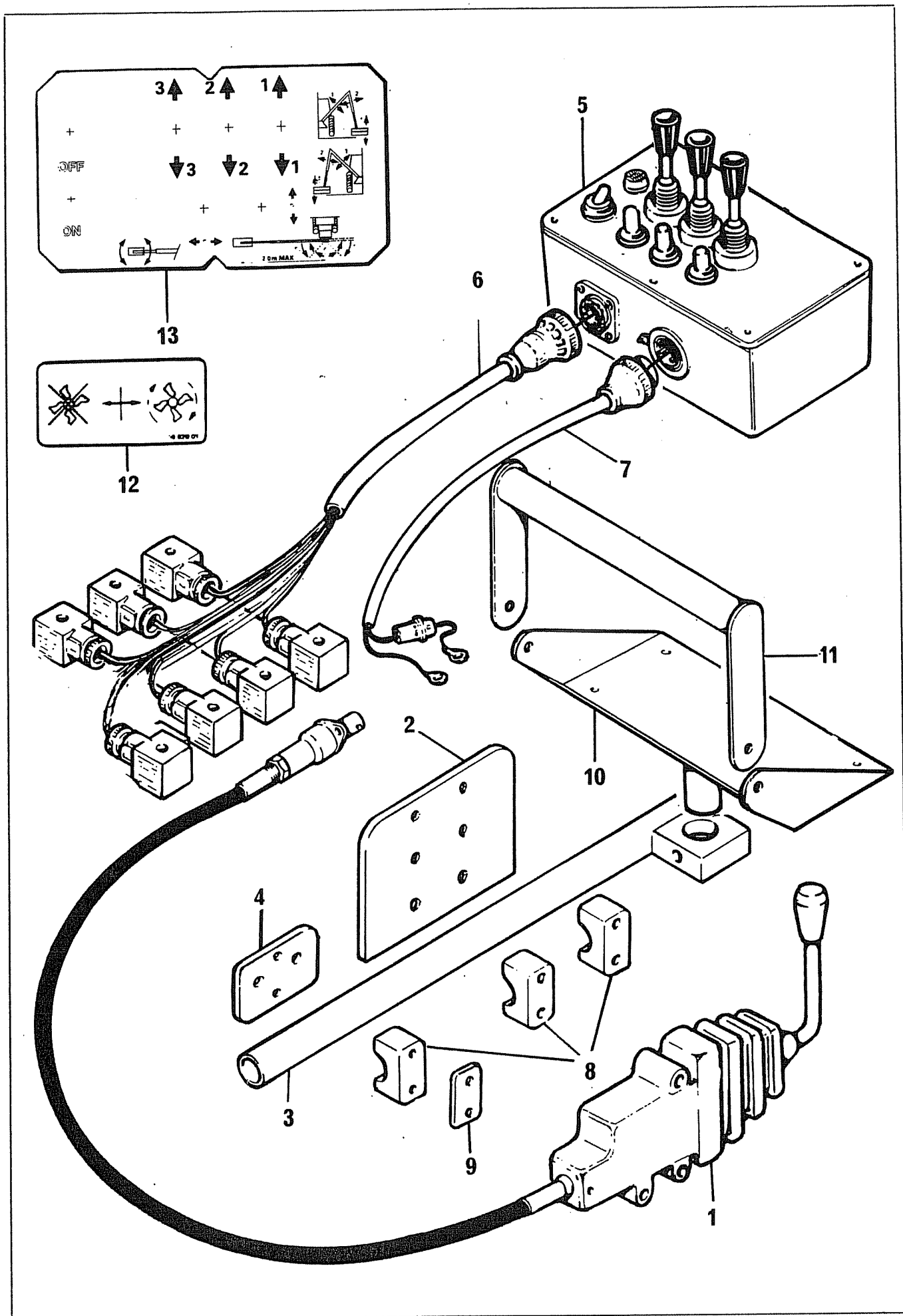
REF	PART NO.	DESCRIPTION	QTY	SERIAL NO. FROM - TO
70.812.01		PUMPS CIRCUIT		
*46	05.991.08	HOSE 3/8"BSP X 400MM 90 X ST	-	
*47	05.994.22	HOSE 3/4"BSP X 1100MM 90 X ST	-	
*48	04.056.17	ADAPTOR F/M/M 3/4X3/4X3/8 BSP	1	
*49	05.991.06	HOSE 3/8"BSP X 300MM 90 X ST	-	
*50	06.459.03	PIPE RIGID 3/4"BSP M/F	1	
51	05.281.01	FLAT WASHER 8MM PLATED	2	
51	05.282.01	SPRING WASHER 8MM PLATED	2	
51	05.291.07	BOLT M8 X 60MM PLATED	2	
51	05.657.01	SCKT CAPSCRW 5/16"UNCX7/8" PLT	2	
51	06.284.01	RELIEF VALVE/DIVERTER ASSY	-	
51	06.284.02	SEAL KIT FOR (06.284.01) VALVE	-	
*51	06.299.03	RELIEF VALVE CARTRIDGE 207 BAR	1	
*52	05.290.06	BONDED SEAL 3/4"BSP	2	
*53	05.377.01	ADAPTOR 3/4"BSP X 3/4"BSP	2	
*54	05.290.07	BONDED SEAL 1"BSP	1	
*55	05.434.01	ADAPTOR 1"BSP X 1"BSP	1	
*56	05.117.01	COPPER WASHER 3/8" BSP	1	
*57	05.433.01	PLUG 3/8"BSP PLATED	1	
*58	05.290.04	BONDED SEAL 3/8"BSP	1	
*59	05.124.01	ADAPTOR 3/8" BSP X 3/8" BSP	1	
*60	11.068.69	ADAPTOR-TEE 3/8F-3/8M+3/8M	1	
*61	04.056.02	ADAPTOR-SWIVEL TEE 1"BSP F/M/M	1	
*62	05.996.88	HOSE 1"BSP 400MM ST X ST	-	
*63	05.835.02	ADAPTOR-SWIVEL 90 1"BSP M/F	1	
*64	05.994.56	HOSE 3/4"BSP ST X 90 X 3600	-	
*65	02.714.05	AD.STR.SWIV 1"BSP X 3/4"BSP F/M	1	
*67	30.213.89	HOSE 1" X 88" STAP/STR	-	
*68	30.213.89	HOSE 1" X 88" STAP/STR	-	
*70	05.997.56	HOSE 1"BSP X 3600MM ST X ST	-	
*71	05.434.01	ADAPTOR 1"BSP X 1"BSP	1	

*MAIN PART IN GROUP, RELATED PARTS HAVE SAME REFERENCE NUMBER



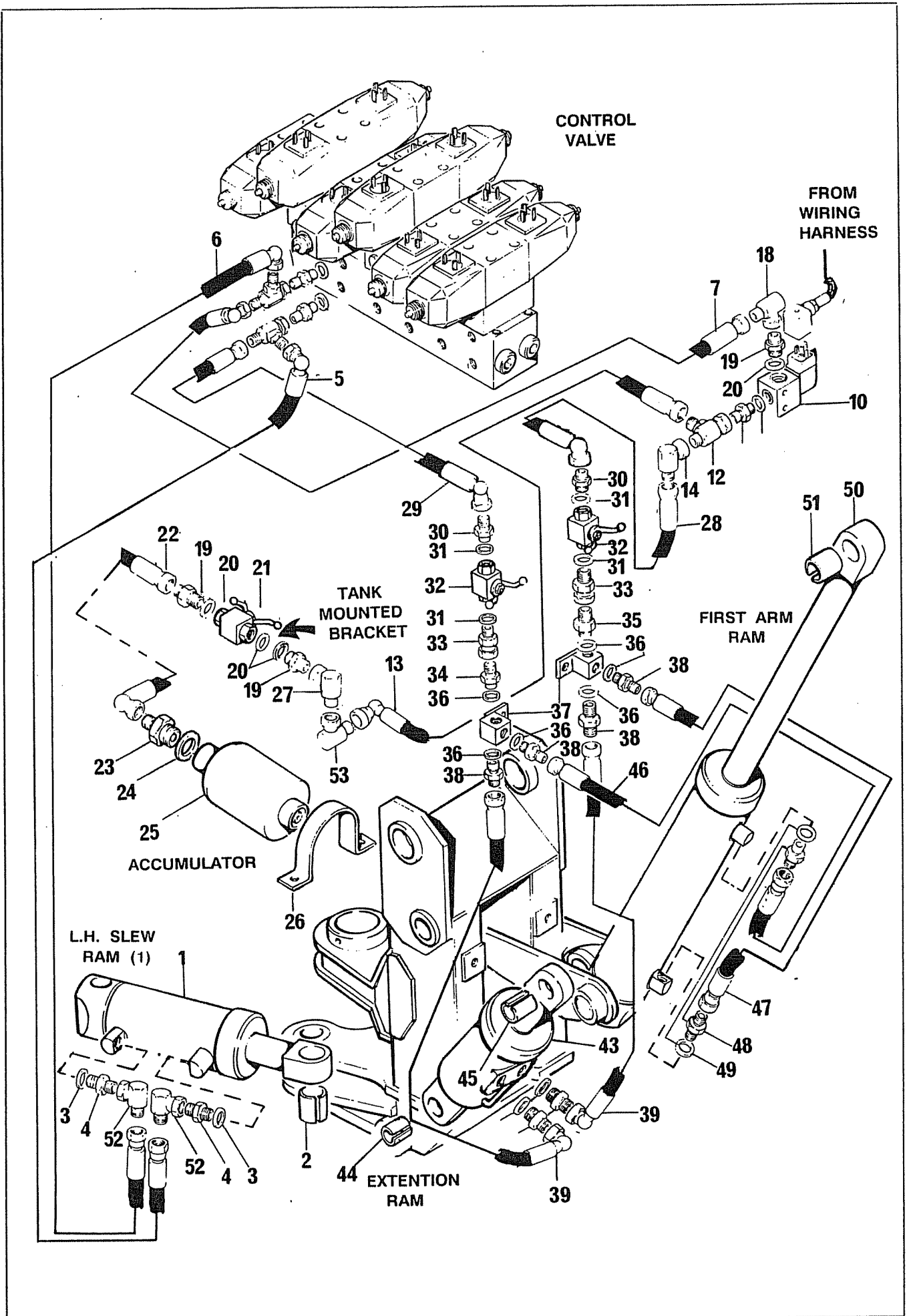
REF	PART NO.	DESCRIPTION	QTY	SERIAL NO. FROM - TO
70.804.03		CONTROL VALVE ASSEMBLY		
01	08.852.04	CETOP 3 INTERFACE SEAL - VITON	1	
*01	08.852.07	CONTROL VALVE ELECT 5 SERVICE	1	
*02	08.852.51	CETOP 3 VENT VALVE	1	
*03	08.852.52	CETOP 3 MOTOR SPOOL VALVE	1	
*04	08.852.56	CETOP 3 FLOAT SPOOL VALVE	1	
*05	07.635.96	CETOP 3 RELIEF VALVE 207 BAR	1	
*06	08.852.60	CETOP 3 SINGLE PO CHECK VALVE	1	
*07	07.635.85	SER LNE RELIEF CARTRIDGE 50BAR	1	
*08	08.852.53	CETOP 3 DUAL PO CHECK VALVE	1	
15	05.281.02	FLAT WASHER 10MM PLATED FORM C	2	
15	05.282.02	SPRING WASHER 10MM PLATED	2	
15	05.282.09	SPRING WASHER 5MM PLATED	4	
15	05.292.12	BOLT M10 X 90 PLATED	2	
*15	08.628.01	PLATE - VALVE MOUNTING	2	
15	30.073.93	SCREW M5 X 16MM 8.8 GRADE	4	
*20	05.290.04	BONDED SEAL 3/8"BSP	11	
*21	05.124.01	ADAPTOR 3/8" BSP X 3/8" BSP	2	
*22	04.056.16	ADAPTOR F/M/M 3/8X3/8X1/4 BSP	2	
*23	01.099.01	ADAPTOR 3/8BSP X1/4BSP	6	
*24	04.056.10	ADAPTOR - TEE 1/4"BSP F/M/M	1	
*25	05.835.04	ADAPTOR - SWIVEL 90 1/4"BSP MF	2	
*26	05.433.01	PLUG 3/8"BSP PLATED	2	
*27	05.116.02	BANJO BODY 1/2" X 3/8"BSP	1	
*28	05.463.01	BANJO BOLT 1/2"BSP	1	
*29	05.290.05	BONDED SEAL 1/2"BSP	2	
*36	08.746.01	ACCUMULATOR 0.16 LTR (70 BAR)	1	
*37	03.028.01	RESTRICTOR 3/8BSP X 3/8BSP	1	

*MAIN PART IN GROUP, RELATED PARTS HAVE SAME REFERENCE NUMBER.



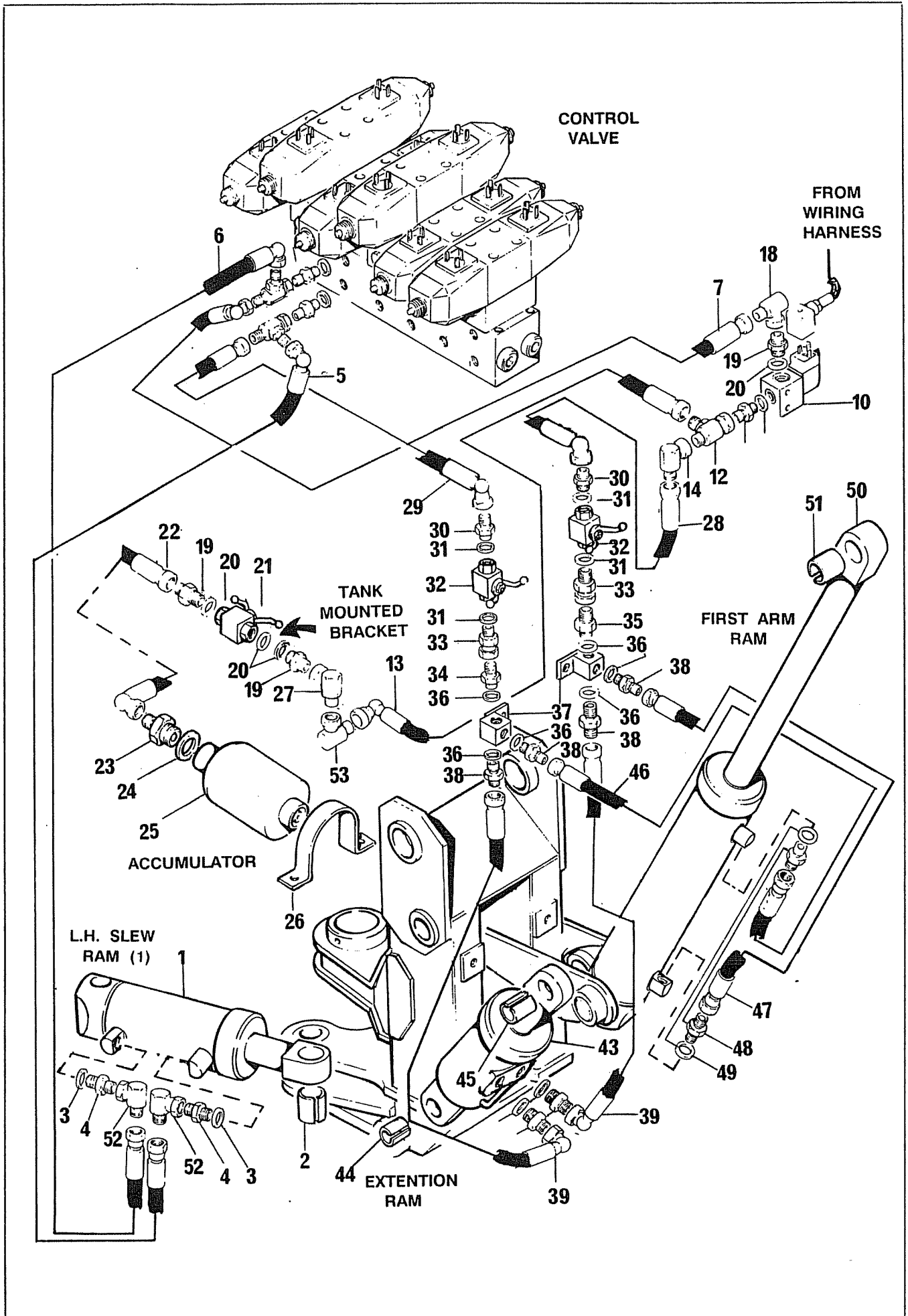
REF	PART NO.	DESCRIPTION	QTY	SERIAL NO. FROM - TO
70.805.01		REMOTE CONTROL ASSEMBLY		
01	04.265.08	LEVER ASSY	-	
01	04.265.11	BUSH	-	
01	04.265.19	SPRING COVER	-	
01	04.265.24	USE 04.265.38 LEVER	-	
01	04.265.28	PIN	-	
01	04.265.33	CABLE ASSY 2.5M	-	
*01	04.265.35	REMOTE CONTROL ASSY-1BANK 2.5M	1	
02	05.264.02	SETSCREW M8 X 25MM PLATED	2	
02	05.281.01	FLAT WASHER 8MM PLATED	2	
02	05.282.01	SPRING WASHER 8MM PLATED	2	
02	05.948.07	WING NUT M8 - PLATED	2	
*02	08.317.01	PLATE - CONTROL BOX	1	
03	05.264.12	SETSCREW M10 X 25MM PLATED	1	
*03	08.318.01	TUBE - CONTROL BOX MOUNTING	1	
04	05.281.01	FLAT WASHER 8MM PLATED	2	
04	05.282.01	SPRING WASHER 8MM PLATED	2	
04	05.291.07	BOLT M8 X 60MM PLATED	2	
04	05.948.07	WING NUT M8 - PLATED	2	
*04	08.321.01	PLATE - LEVER MOUNTING	1	
05	05.282.09	SPRING WASHER 5MM PLATED	4	
05	05.286.09	NUT M5 PLATED	4	
*05	08.620.02	CONTROL BOX - 3 JOYSTICK	1	
06	07.835.02	GASKET FOR HIRSCHMAN CONNECTOR	12	
06	07.835.03	SCREW FOR HIRSCHMANN CONNECTOR	12	
06	08.544.01	WIRING HARNESS	1	
07	06.616.02	FUSE - 15A IN-LINE	1	
*07	08.987.01	CABLE ASSY - 2 CORE X 5.5M HVY	1	
08	30.068.90	BOLT M6 X 55 MM 8.8 GRADE Z/P.	4	
08	30.070.64	NUT NYLOC M6.Z/P.	4	
*08	30.209.71	CLAMP SINGLE 1"	6	
09	30.068.88	BOLT M6 X 45 MM 8.8 GRADE Z/P.	2	
*09	30.209.73	COVER PLATE	3	
*10	08.319.01	PLATE-CONTROL BOX MOUNTING	1	
11	05.839.05	SETSCREW M6 X 16MM PLATED	2	
*11	08.320.01	ARM REST	1	
11	30.070.64	NUT NYLOC M6.Z/P.	2	
*12	06.820.01	DECAL-ROT.SHAFT CONTROL LEVER	1	
*13	08.616.02	DECAL-CONTROL BOX B58-58	1	

*MAIN PART IN GROUP, RELATED PARTS HAVE SAME REFERENCE NUMBER.



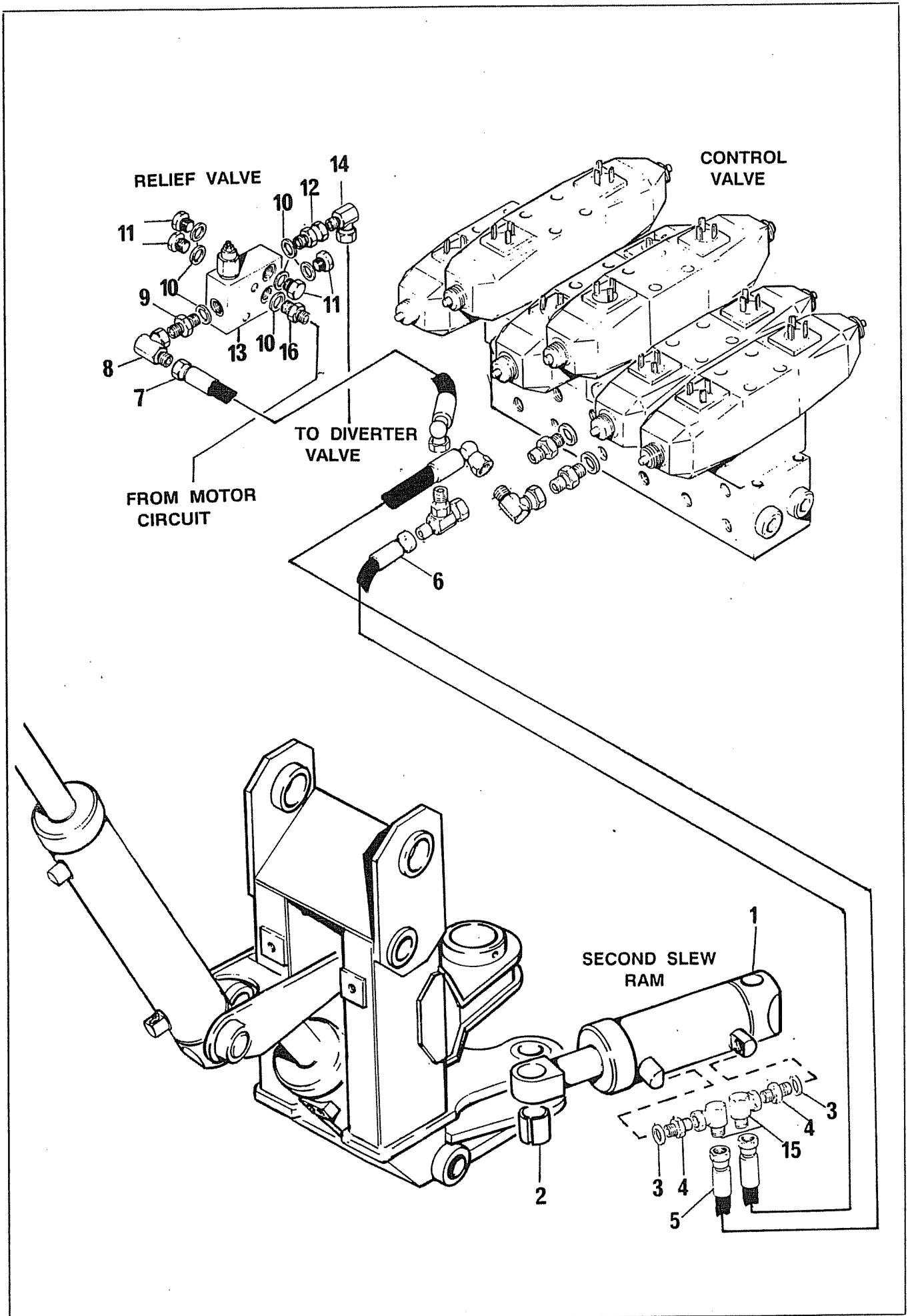
REF	PART NO.	DESCRIPTION	QTY	SERIAL NO. FROM - TO
70.806.01 FIRST RAM/LH SLEW RAM CIRCUIT				
01	03.786.01	INSTRUCTION PLATE-GREASE M6	1	
01	05.953.01	GREASE NIPPLE M6	1	
*01	08.556.01	HYDRAULIC RAM 90 BORE 214 STRK	1	
01	08.556.03	SEAL KIT - 90 BORE RAM	-	
*02	02.771.03	TENSION BUSH 45 X 40 X 50	1	
*03	05.290.04	BONDED SEAL 3/8"BSP	2	
*04	03.028.16	RESTRICTOR 3/8X1/4"BSP 1.00MM	2	
*05	05.990.23	HOSE 1/4"BSP X 1300MM 90 X ST	1	
*06	05.990.24	HOSE 1/4"BSP X 1400MM 90 X ST	1	
*07	05.991.14	HOSE 3/8"BSP X 700MM 90 X ST	1	
*08	05.124.01	ADAPTOR 3/8" BSP X 3/8" BSP	2	
09	05.290.04	BONDED SEAL 3/8"BSP	2	
*10	08.619.01	MODULAR SOLENOID VALVE ASSY	1	
10	05.282.07	SPRING WASHER 6MM PLATED	2	
10	30.068.90	BOLT M6 X 55 MM 8.8 GRADE Z/P.	2	
10	08.619.02	SEAL KIT-2 PORT MOD. VALVES	-	
10	08.619.20	SOLENOID	-	
10	08.619.23	NUT - SOLENOID RETAINING	-	
*12	11.068.69	ADAPTOR-TEE 3/8F-3/8M+3/8M	1	
*13	05.991.06	HOSE 3/8"BSP X 300MM 90 X ST	1	
*14	05.835.01	ADAPTOR-SWIVEL 90 3/8"BSP M/F	1	
18	05.835.01	ADAPTOR-SWIVEL 90 3/8"BSP M/F	1	
*19	05.124.01	ADAPTOR 3/8" BSP X 3/8" BSP	2	
*20	05.290.04	BONDED SEAL 3/8"BSP	3	
*21	08.200.01	VALVE - ISOLATING 3/8" BSP	1	
*22	05.991.14	HOSE 3/8"BSP X 700MM 90 X ST	1	
*23	05.128.01	ADAPTOR 3/4" BSP X 3/8" BSP	1	
*24	05.290.06	BONDED SEAL 3/4"BSP	1	
*25	30.065.76	ACC HC.100/1A CAP 1 LTR 650 PSI	1	
26	04.282.42	STUD M10 X 40MM PLATED	2	
26	05.281.02	FLAT WASHER 10MM PLATED FORM C	2	
26	05.282.02	SPRING WASHER 10MM PLATED	2	
26	05.286.02	NUT M10 PLATED	2	
*26	30.028.01	STRAP, ACCUMULATOR	1	
*27	05.835.01	ADAPTOR-SWIVEL 90 3/8"BSP M/F	1	
*28	05.991.18	HOSE 3/8" BSP X 900MM 90 X ST	1	
*29	05.991.18	HOSE 3/8" BSP X 900MM 90 X ST	1	
*30	05.124.01	ADAPTOR 3/8" BSP X 3/8" BSP	2	
*31	05.290.04	BONDED SEAL 3/8"BSP	4	
*32	08.200.01	VALVE - ISOLATING 3/8" BSP	2	
*33	02.714.01	ADAPTOR-SWIVEL ST 3/8BSP M/F	2	
*34	05.124.01	ADAPTOR 3/8" BSP X 3/8" BSP	1	
*35	05.124.01	ADAPTOR 3/8" BSP X 3/8" BSP	1	
*36	05.290.04	BONDED SEAL 3/8"BSP	6	
*37	07.636.02	BLOCK - DISTRIBUTION 3 PORT	2	
*38	05.124.01	ADAPTOR 3/8" BSP X 3/8" BSP	4	
*39	05.991.08	HOSE 3/8"BSP X 400MM 90 X ST	1	
*40	05.991.00	HOSE 3/8"BSP X 400MM 90 X ST	1	
*41	05.124.01	ADAPTOR 3/8"BSP X 3/8"BSP	2	

*MAIN PART IN GROUP, RELATED PARTS HAVE SAME REFERENCE NUMBER.



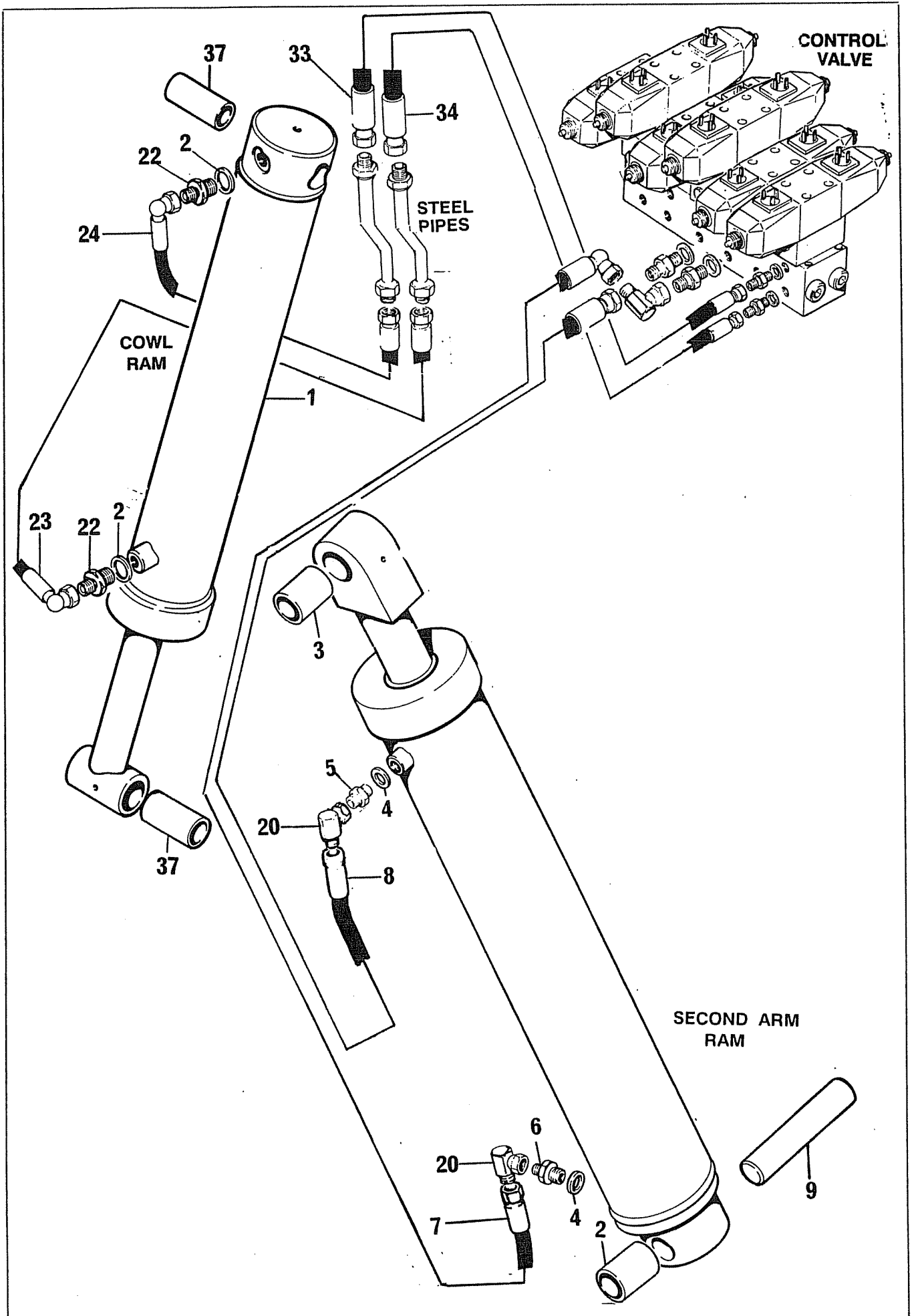
REF	PART NO.	DESCRIPTION	QTY	SERIAL NO. FROM - TO
*42	05.290.04	BONDED SEAL 3/8"BSP	2	
*43	08.557.01	HYDRAULIC RAM 100 BORE 175 STK	1	
43	08.557.02	SEAL KIT FOR 08.557.01	-	
*44	02.771.11	TENSION BUSH 45 X 40 X 40	1	
*45	02.771.03	TENSION BUSH 45 X 40 X 50	1	
*46	05.998.19	HOSE 3/8"BSP X 950MM ST X ST	1	
*47	05.998.11	HOSE 3/8"BSP X 550 ST X ST	1	
*48	05.124.01	ADAPTOR 3/8" BSP X 3/8" BSP	2	
*49	05.290.04	BONDED SEAL 3/8"BSP	2	
*50	08.556.02	HYDRAULIC RAM 90 BORE 703 STRK	1	
*51	02.771.03	TENSION BUSH 45 X 40 X 50	1	
*52	05.835.04	ADAPTOR - SWIVEL 90 1/4"BSP MF	2	
*53	05.835.04	ADAPTOR - SWIVEL 90 1/4"BSP MF	1	

*MAIN PART IN GROUP, RELATED PARTS HAVE SAME REFERENCE NUMBER.



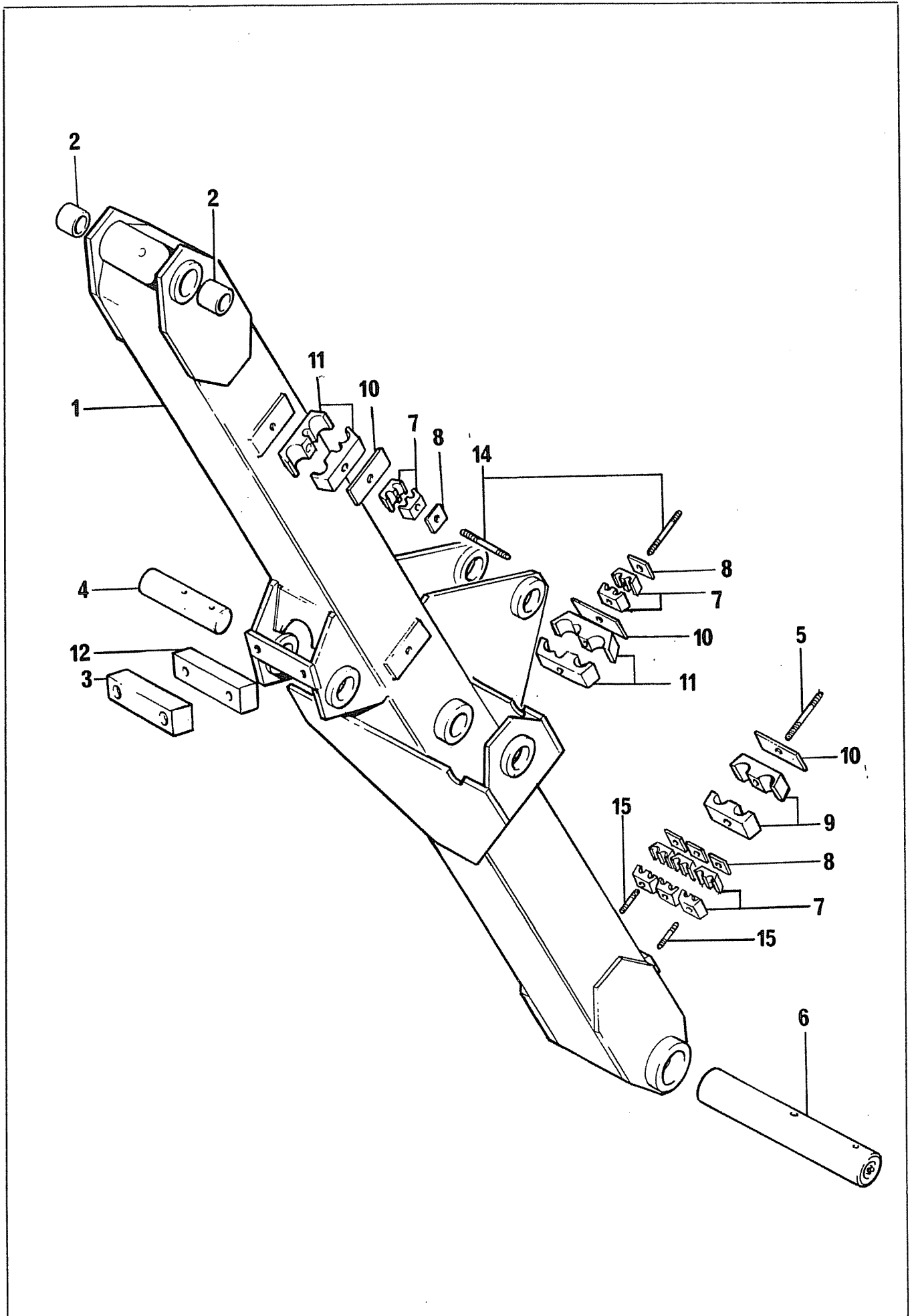
REF	PART NO.	DESCRIPTION	QTY	SERIAL NO. FROM - TO
70.807.01		RH SLEW RAM CIRCUIT		
01	03.786.01	INSTRUCTION PLATE-GREASE M6	1	
01	05.953.01	GREASE NIPPLE M6	1	
*01	08.556.01	HYDRAULIC RAM 90 BORE 214 STRK	1	
*02	02.771.03	TENSION BUSH 45 X 40 X 50	1	
*03	05.290.04	BONDED SEAL 3/8"BSP	2	
*04	03.028.16	RESTRICTOR 3/8X1/4"BSP 1.00MM	2	
*05	05.990.23	HOSE 1/4"BSP X 1300MM 90XST	1	
*06	05.999.24	HOSE 1/4"BSP X 1400MM ST X ST	1	
*07	05.990.08	HOSE 1/4"BSP X 400MM STR X 90	1	
*08	05.835.04	ADAPTOR - SWIVEL 90 1/4"BSP MF	1	
*09	01.099.01	ADAPTOR - 3/8"BSP X 1/4 BSP	1	
*10	05.290.04	BONDED SEAL 3/8"BSP	7	
*11	05.433.01	PLUG 3/8"BSP PLATED	4	
*12	02.714.01	ADAPTOR-SWIVEL ST 3/8BSP M/F	1	
*13	06.277.11	RELIEF VALVE ASSY (BREAKOUT) 210 BAR	1	
13	06.277.02	SEAL KIT FOR (06.277.01) VALVE	-	
13	06.277.20	RELIEF VALVE CARTRIDGE 210 BAR	-	
*14	05.835.01	ADAPTOR-SWIVEL 90 3/8"BSP M/F	1	
*15	05.835.04	ADAPTOR - SWIVEL 90 1/4"BSP MF	2	
*16	05.124.01	ADAPTOR - 3/8"BSP X 3/8"BSP	1	

*MAIN PART IN GROUP, RELATED PARTS HAVE SAME REFERENCE NUMBER.



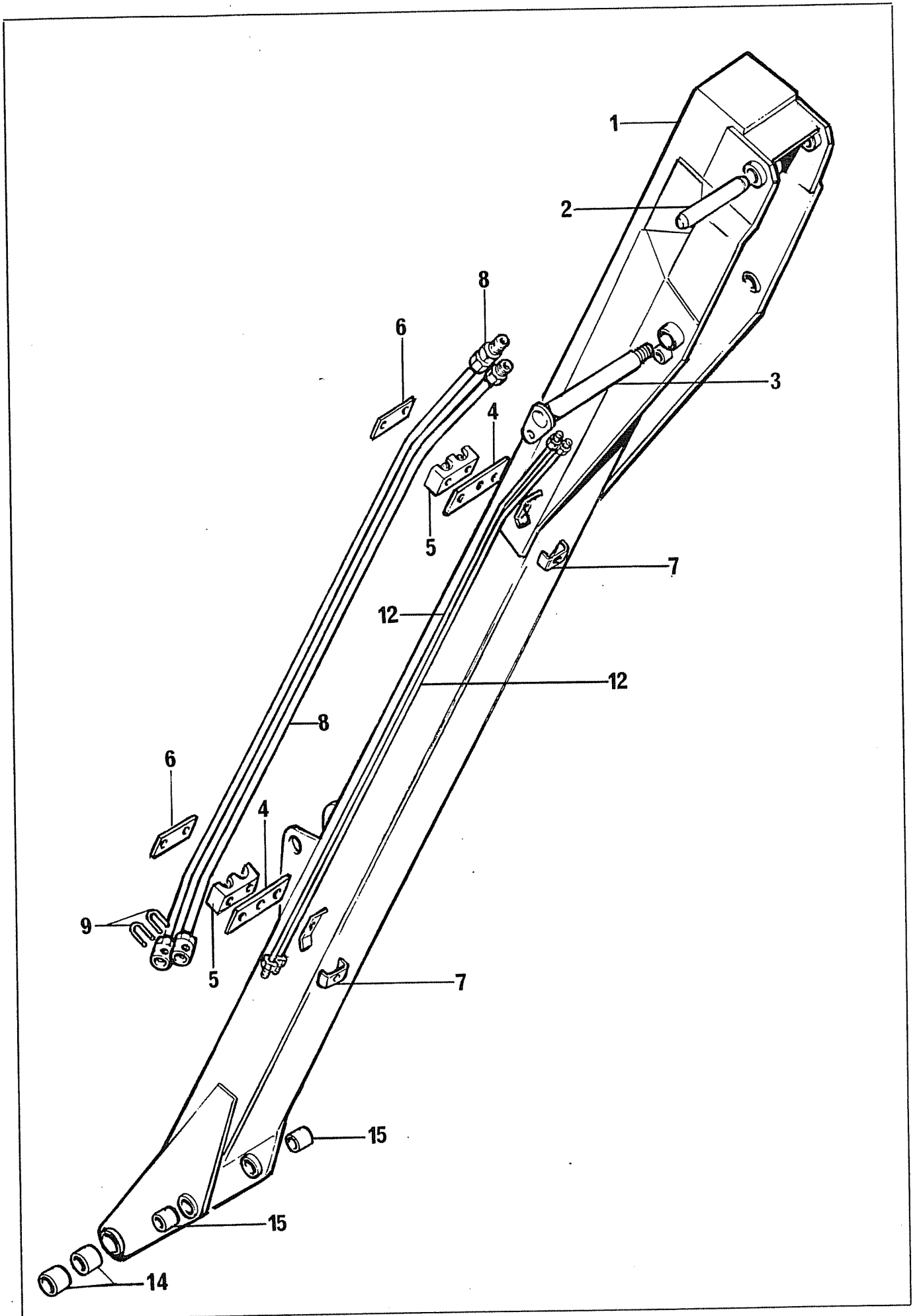
REF	PART NO.	DESCRIPTION	QTY	SERIAL NO. FROM - TO
70.825.01		COWL RAM CIRCUIT		
*01	07.672.03	RAM ASSY - 3.1/4" X 460 STROKE	1	
*02	05.290.04	BONDED SEAL 3/8"BSP	2	
*03	01.099.01	ADAPTOR 3/8 BSP X 1/4 BSP	2	
*04	07.672.93	ROD END BUSH	1	
*05	05.990.14	HOSE 1/4 BSP X 700 STR X 90	1	
*06	05.990.14	HOSE 1/4 BSP X 700 STR X 90	1	
*07	05.999.46	HOSE 1/4"BSP 3600 ST X ST	1	
*08	05.999.46	HOSE 1/4"BSP 3600 ST X ST	1	
70.809.01		SECOND RAM CIRCUIT		
*01	07.671.02	RAM ASSY 4" X 1.5" X 685 STROKE	1	
01	30.048.11	SEAL KIT 8TON	-	
01	30.054.09	GREASE NIPPLE 1/4" BSF	2	
*02	07.671.88	BUSH	1	
*03	07.671.88	BUSH	1	
*04	05.290.04	BONDED SEAL 3/8"BSP	2	
*05	03.028.08	RESTRICTOR 3/8BSP X 1/4BSP	1	

*MAIN PART IN GROUP, RELATED PARTS HAVE SAME REFERENCE NUMBER.



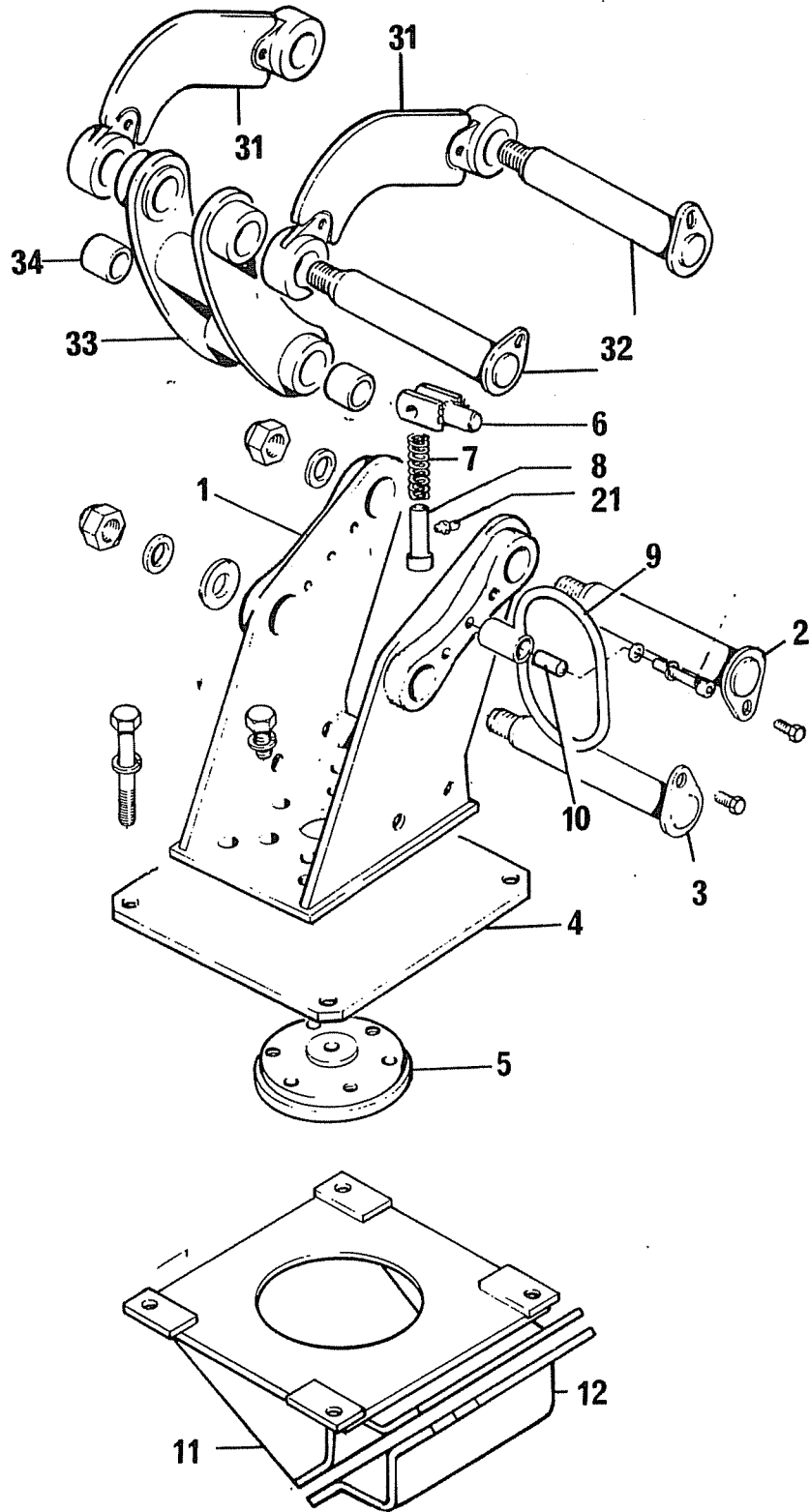
REF	PART NO.	DESCRIPTION	QTY	SERIAL NO. FROM - TO
70.818.01		FIRST ARM ASSEMBLY		
01	03.786.02	INSTRUCTION PLATE-GREASE M10	1	
01	05.953.04	GREASE NIPPLE M10 90 DEG	1	
*01	08.650.01	ARM - FIRST	1	
*02	08.297.02	BUSH - PLASTIC 47 X 40 X 40	2	
03	05.291.04	BOLT M8 X 45MM PLATED	2	
03	30.070.65	NUT,NYLOC M8 Z/P	2	
*03	30.104.19	BUFFER	1	
*04	03.656.44	PIN - DIA 40 X 166	1	
04	05.282.02	SPRING WASHER 10MM PLATED	1	
04	05.286.02	NUT M10 PLATED	1	
04	05.292.11	BOLT M10 X 80MM PLATED	1	
04	03.786.02	INSTRUCTION PLATE-GREASE M10	1	
04	05.953.04	GREASE NIPPLE M10 90 DEG	1	
*05	03.469.20	STUD M8 X 112	1	
05	05.281.01	FLAT WASHER 8MM PLATED	1	
05	05.282.01	SPRING WASHER 8MM PLATED	1	
05	05.286.01	NUT M8 PLATED	1	
*06	03.657.24	PIN - DIA 50 X 341	1	
06	05.282.02	SPRING WASHER 10MM PLATED	1	
06	05.286.02	NUT M10 PLATED	1	
06	05.292.11	BOLT M10 X 80MM PLATED	1	
06	03.786.02	INSTRUCTION PLATE-GREASE M10	1	
06	05.953.04	GREASE NIPPLE M10 90 DEG	1	
*07	06.430.02	CLAMP HOSE 14 X 14	12	
*08	06.418.02	CLAMP PLATE 30 X 6 PLATED	6	
*09	06.430.01	CLAMP HOSE 38 X 28	2	
*10	06.418.01	CLAMP PLATE 95 X 6	4	
*11	06.430.10	CLAMP HOSE 38 X 38	6	
*12	30.144.71	BRACKET STOP	1	
*14	04.282.33	STUD M8 X 110	3	
14	05.281.01	FLAT WASHER 8MM PLATED	3	
14	05.282.01	SPRING WASHER 8MM PLATED	3	
14	05.286.01	NUT M8 PLATED	3	
*15	04.282.32	STUD M8 X 52	2	
15	05.281.01	FLAT WASHER 8MM PLATED	2	
15	05.282.01	SPRING WASHER 8MM PLATED	2	
15	05.286.01	NUT M8 PLATED	2	

*MAIN PART IN GROUP, RELATED PARTS HAVE SAME REFERENCE NUMBER.



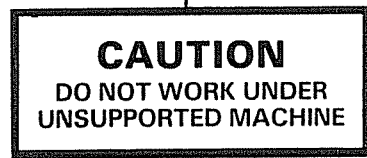
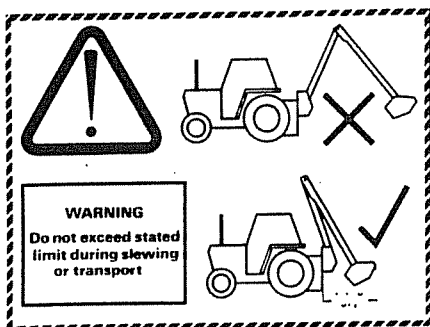
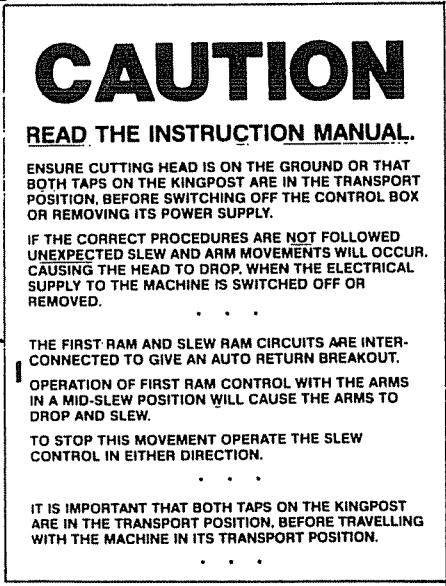
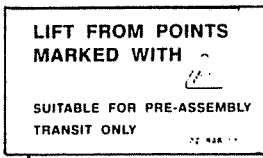
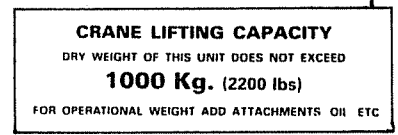
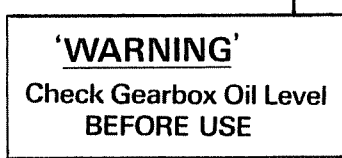
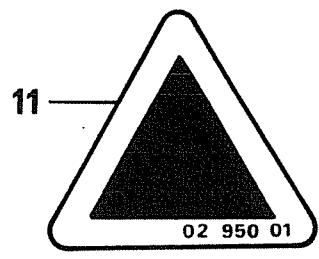
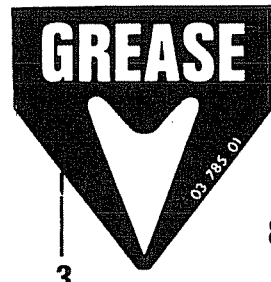
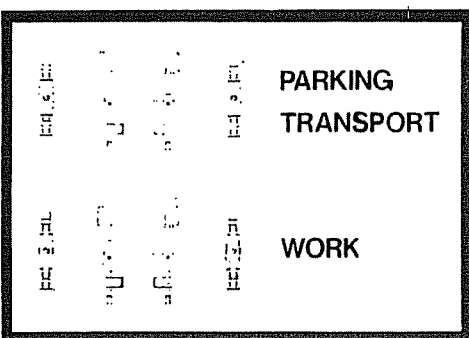
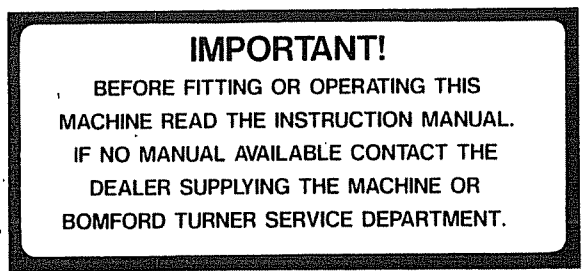
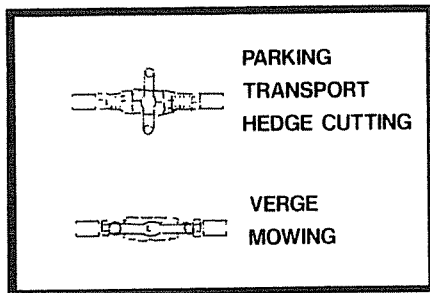
REF	PART NO.	DESCRIPTION	QTY	SERIAL NO. FROM - TO
70.818.01		SECOND ARM ASSEMBLY		
01	30.054.09	GREASE NIPPLE 1/4" BSF	1	
*01	30.138.23	2ND ARM	1	
02	05.287.01	SELF-LOCKING NUT M8 PLATED	1	
02	05.291.07	BOLT M8 X 60MM PLATED	1	
*02	30.133.48	PIN, PIVOT 35 MM	1	
03	05.281.06	FLAT WASHER 1" BSF HEAVY	1	
03	05.287.06	SELF-LOCKING NUT M24	1	
*03	30.124.16	PIN - DIA 40 X 295	1	
04	05.264.13	SETSCREW M10 X 30MM PLATED	2	
04	05.287.02	SELF-LOCKING NUT M10 PLATED	2	
*04	30.124.37	HOSE CLAMP MOUNT HM 'S' RM	2	
*05	30.207.26	CLAMP HOSE BLOCK HM 'S'	2	
06	05.281.01	FLAT WASHER 8MM PLATED	4	
06	05.282.01	SPRING WASHER 8MM PLATED	4	
06	05.291.06	BOLT M8 X 55MM PLATED	4	
*06	30.124.39	HOSE CLAMP COVER PLATE HM 'S'	2	
07	05.264.02	SETSCREW M8 X 25MM PLATED	2	
07	05.281.01	FLAT WASHER 8MM PLATED	2	
07	05.282.01	SPRING WASHER 8MM PLATED	2	
*07	30.124.38	HOSE CLAMP HM 'S' RM	2	
*08	30.138.24	HOSE-RIGID 1"BSP/1"STAP/1"TUBE	2	
*09	30.208.70	STAPLE FOR 1" STAPLOK	2	
*12	30.138.26	HOSE-RIGID 1/4BSP/1/4STP/1/2TB	2	
*14	30.207.68	BUSH, NYLON 47 X 40 X 40	2	
*15	07.672.93	ROD END BUSH	2	

*MAIN PART IN GROUP, RELATED PARTS HAVE SAME REFERENCE NUMBER.



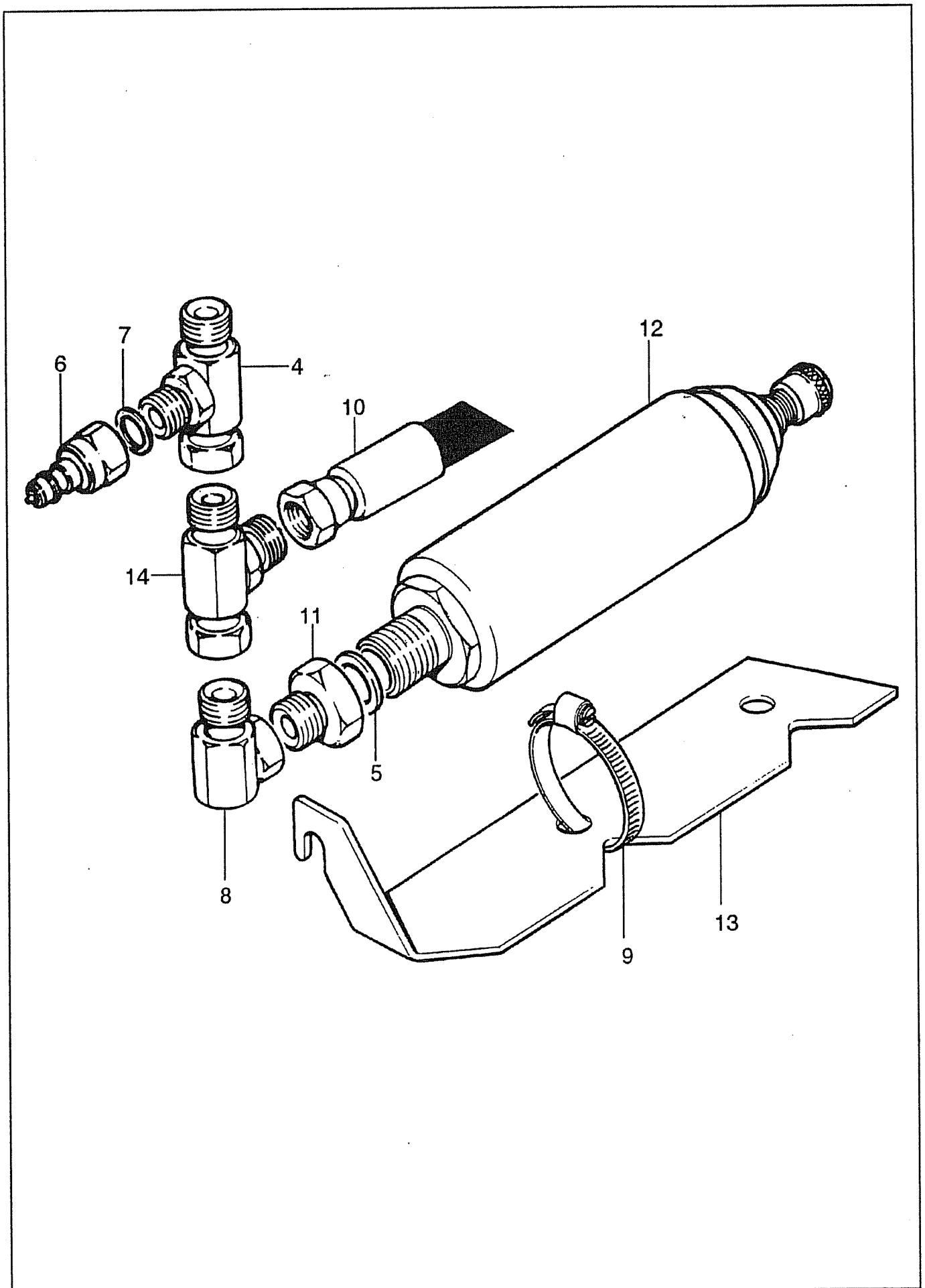
REF	PART NO.	DESCRIPTION	QTY	SERIAL NO. FROM - TO
70.858.01		TURNTABLE HEAD MOUNT		
01	03.786.01	INSTRUCTION PLATE-GREASE M6	1	
01	05.953.01	GREASE NIPPLE M6	1	
*01	30.134.89	HOOD MTG BRKT TOP MTD WITH T/T	1	
02	05.281.06	FLAT WASHER 1" BSF HEAVY	1	
02	05.287.06	SELF-LOCKING NUT M24	1	
*02	30.134.63	PIN HOOD PIVOT (40 DIA) HM SX	1	
02	30.213.91	DURLOK BOLT M10 X 20 PLATED	1	
03	05.281.06	FLAT WASHER 1" BSF HEAVY	1	
03	05.287.06	SELF-LOCKING NUT M24	1	
03	30.134.62	PIN HOOD ANGLING (35DIA) HM SX	1	
03	30.134.67	SPACING COLLAR HM SX	1	
03	30.213.91	DURLOK BOLT M10 X 20 PLATED	1	
*04	30.124.53	TURNTABLE MOUNTING HM 'S' RM	1	
05	05.287.04	SELF-LOCKING NUT M16 PLATED	6	
05	05.291.36	BOLT M16 X 55 PLATED	6	
*05	30.124.52	TURNTABLE SWIVEL DISC	1	
06	05.264.66	SETSCREW M6 X 40MM PLATED	1	
06	30.070.64	NUT NYLOC M6.Z/P.	1	
*06	30.124.56	LEVER, LOCKING PIN RELEASE 'S'	1	
*07	30.207.74	SPRING, COMPRESSION 2 1/2" LONG	1	
*08	30.124.54	PIN, TURNTABLE LOCKING HM 'S'	1	
*09	30.135.24	HOSE LOOP	1	
10	05.282.02	SPRING WASHER 10MM PLATED	1	
10	30.071.14	WASHER M10 PLATED FORM A	1	
*10	30.135.25	CLAMPING TUBE	1	
10	30.214.05	SCREW M10 X 60 SKT HD CAP(PLT)	1	
11	05.282.04	SPRING WASHER 16MM PLATED	4	
11	05.287.04	SELF-LOCKING NUT M16 PLATED	4	
11	05.291.36	BOLT M16 X 55 PLATED	4	
*11	08.735.01	BRACKET - COWL	1	
12	05.264.25	SETSCREW M12 X 40MM PLATED	6	
12	05.282.03	SPRING WASHER 12MM PLATED	6	
12	05.286.03	NUT M12 PLATED	6	
*12	07.947.01	CLAMP - COWL BRACKET	1	
70.823.01		COWL ANGLING ASSEMBLY		
*31	30.134.54	HOOD ANGLING 1ST LINK LH HM SX	2	
32	05.281.06	FLAT WASHER 1" BSF HEAVY	1	
32	05.287.06	SELF-LOCKING NUT M24	1	
*32	30.134.62	PIN HOOD ANGLING (35DIA) HM SX	2	
32	30.213.91	DURLOK BOLT M10 X 20 PLATED	2	
33	30.054.09	GREASE NIPPLE 1/4" BSF	3	
*33	30.134.56	HOOD ANGLING 2ND LINK HM SX	1	
*34	07.672.93	ROD END BUSH	2	
35	05.281.06	FLAT WASHER 1" BSF HEAVY	1	
35	30.054.09	GREASE NIPPLE 1/4" BSF	1	

*MAIN PART IN GROUP, RELATED PARTS HAVE SAME REFERENCE NUMBER



REF	PART NO.	DESCRIPTION	QTY	SERIAL NO. FROM - TO
72.188.01		DECALS		
*01	08.728.03	DECAL - BOMFORD B58-58 LH	1	
*02	08.728.04	DECAL - BOMFORD B58-58 RH	1	
*03	03.785.01	DECAL-GREASE	4	
*05	06.007.05	DECAL-WEIGHT 1000KG	1	
*06	07.767.05	DECAL - INST MANUAL LARGE (BT)	1	
*07	02.948.01	DECAL - LIFTING POINT INST	1	
*08	30.023.32	FILLER LABEL (GEARBOX) 1180	1	
*10	30.141.05	WARNING DECAL'S SLEWING POSITN	1	
*11	02.950.01	DECAL - LIFTING POINT	1	
*12	07.333.01	DECAL - CAUTION	2	
*13	08.632.01	DECAL - TRANSPORT	2	
*15	08.631.01	DECAL-HYDRACUSION INTSRUCTION	1	
*16	08.982.01	DECAL - CAUTION SLEW OPERAT'N	2	

*MAIN PART IN GROUP, RELATED PARTS HAVE SAME REFERENCE NUMBER



REF	PART NO.	DESCRIPTION	QTY	SERIAL NO. FROM - TO
70.911.01		ACCUMULATOR KIT (FAWCETT)		
*04	04.056.16	ADAPTOR F/M/M 3/8X3/8X1/4 BSP	1	
*05	05.117.01	COPPER WASHER 3/8" BSP	1	
*06	05.146.12	Q/R COUPLING 1/4" BSP MALE	1	
*07	05.290.02	BONDED SEAL 1/4"BSP	1	
*08	05.835.01	ADAPTOR-SWIVEL 90 3/8"BSP M/F	1	
*09	05.863.02	JUBILEE CLIP 2"DIA	2	
*10	05.991.08	HOSE 3/8"BSP X 400MM 90 X ST	1	
*11	08.128.11	ADAPTOR 3/4"F X 3/8"M	1	
*12	09.479.01	ACCUMULATOR 0.161 (FAWCETT)	1	
*13	09.480.01	BRACKET - ACCUMULATOR	1	
*14	11.068.69	ADAPTOR-TEE 3/8F-3/8M+3/8M	1	

*MAIN PART IN GROUP, RELATED PARTS HAVE SAME REFERENCE NUMBER