

PM944

B577

ARM MOWER

PARTS MANUAL

IMPORTANT

NOTE HERE THE SERIAL NUMBER OF YOUR MACHINE AND ALWAYS QUOTE IT IN ANY COMMUNICATION WITH US OR YOUR DEALER. THIS IS PARTICULARLY IMPORTANT WHEN ORDERING SPARES. REMEMBER TO INCLUDE ALL NUMBERS AND LETTERS.

MACHINE SERIAL NUMBERS _____

THE INFORMATION GIVEN THROUGHOUT THIS MANUAL IS CORRECT AT THE TIME OF PUBLICATION. HOWEVER, IN THE COURSE OF CONSTANT DEVELOPMENT OF BOMFORD TURNER MACHINES, CHANGES IN SPECIFICATION ARE INEVITABLE. SHOULD YOU FIND THE INFORMATION GIVEN IN THIS BOOK TO BE AT VARIANCE WITH THE MACHINE IN YOUR POSSESSION, YOU ARE ADVISED TO CONTACT THE BOMFORD TURNER SERVICE DEPARTMENT WHERE UP-TO-DATE INFORMATION WILL BE PROVIDED.

THE MANUAL CAN CONTAIN STANDARD AND OPTIONAL FEATURES AND IS NOT TO BE USED AS A MACHINE SPECIFICATION.

THE MACHINE HAS BEEN TESTED AND IS CONSIDERED SAFE IF CAREFULLY USED. ENSURE YOUR OPERATOR IS PROPERLY TRAINED IN ITS USE AND MAINTENANCE.

IMPORTANT

NOTEZ ICI LES NUMEROS DE SERIE DE VOTRE MACHINE ET MENTIONNEZ LES DANS TOUTE COMMUNICATION AVEC NOS SERVICES OU VOTRE REVENDEUR. CE CI EST IMPORTANT POUR LA COMMANDE DE PIECES DETACHEES. PENSEZ A NOTER TOUS LES NUMEROS ET TOUTES LES LETTERS.

NUMEROS DE SERIE DE LA MACHINE _____

LES INFORMATIONS DONNEES DANS CE MANUEL SONT CORRECTES CEPENDANT, DU FAIT DE DEVELOPPEMENT CONSTANT DES MACHINES BOMFORD TURNER.

CHANGEMENTS DANS LES CARACTERISTIQUES SONT INEVITABLES.

SI VOUS TROUVEZ QUE LES INFORMATIONS DONNEES NE CORRESPONDENT PAS A VOTRE MACHINE VEUILLEZ CONTACTER LE SERVICE DES REPARATIONS OU DES INFORMATIONS PLUS RECENTES VOUS SERONT DONNEES. CE MANUEL PEUT MONTRER DES CARACTERISTIQUES OPTIONNELLES ET NE PEUT PAS ETRE CONSIDERE COMME SPECIFICATION DE LA MACHINE.

CETTE MACHINE A ETE TESTEE, ET ELLE EST CONSIDEREE COMME FIABLE A CONDITION D'UNE BONNE UTILISATION. ASSUREZ-VOUS QUE VOTRE OPERATEUR EST QUALIFIE EN CE QUI CONCERNE L'UTILISATION DE LA MACHINE AINSI QUE SON ENTRETIEN.

WICHTIG

TRAGEN SIE HIER DIE SERIENNUMMERN IHRER MASCHINE EIN UND GEBEN SIE DIESE IMMER AN, WENN SIE SICH AN UNS ODER IHREN HÄNDLER WENDEN. DAS IST BESONDERS BEI ERSATZTEILBESTELLUNGEN WICHTIG. VERGESSEN SIE NICHT, ALLE ZAHLEN UND BUCHSTABEN ZU NOTIEREN.

SERIENNUMMERN DER MASCHINE _____

DIE ANGABEN IN DIESEM HANDBUCH SIND BEI VERÖFFENTLICHUNG KORREKT. AUFGRUND DER KONSTANTEN WEITERENTWICKLUNG VON BOMFORD TURNER MASCHINEN SIND JEDOCHÄNDERUGDEN IN DER SPEZIFIKATION UNVERMEIDLICH. WENN DIE INFORMATION IN DIESEM HANDBUCH NICHT MIT IHRER MASCHINE ÜBEREINSTIMMEN, NEHMEN SIE BITTE KONTAKT MIT DER BOMFORD TURNER KUNDENDIENSTABTEILUNG AUF, DIE IHNEN GERNE DIE AKTUELLEN INFORMATION ZUKOMMEN LÄSST.

DAS HANDBUCH KANN SOWOHL BESCHREIBUNGEN FÜR DIE STANDARD AUSFÜHRUNG ALS AUCH FÜR ZUBEHÖR ENTHALTEN UND IST NICHT ALS MASCHINENSPEZIFIKATION ZU VERWENDET.

DIE MASCHINE IST GETESTET UND BEI SACHGEMÄSSEM BETRIEB ALS SICHER BEFUNDEN WORDEN. SORGEN SIE DAFÜR, DASS IHR BEDIENPERSONAL IN ANWENDUNG UND WARTUNG RICHTIG GESCHULT WIRD.

PAGE NO.	TITLE	SCHEDULE NO.
2 - 1 TO 2 - 3	TRACTOR MOUNTINGS FILTER ASSEMBLY MAINFRAME LH MAINFRAME RH KINGPOST LH KINGPOST RH	72.085.01 72.090.01 72.043.02 72.044.02 72.083.01 72.084.01
3 - 1 TO 3 - 2	CONTROL VALVE ASSEMBLY - ELECTRIC	72.034.01
4 - 1 TO 4 - 2	REMOTE CONTROL ASSEMBLY-ELECTRIC	72.026.01
5 - 1 TO 5 - 2	CONTROL VALVE ASSEMBLY - CABLE	72.050.01
6 - 1 TO 6 - 2	REMOTE CONTROL ASSEMBLY-CABLE	71.005.02
7 - 1 TO 7 - 3	GEARBOX/PTO ASSEMBLY PUMPS ASSEMBLY PUMP CIRCUIT	72.036.02 72.908.01 72.046.01
8 - 1 TO 8 - 3	FIRST ARM SECOND ARM ARM LINKS COWL BRACKET LH COWL BRACKET RH	72.030.01 72.037.01 72.093.01 72.039.10 72.040.01
9 - 1 TO 9 - 2	BRACKET-BREAKOUT LH - MECHANICAL BRACKET-BREAKOUT RH - MECHANICAL	72.097.01 72.099.01
10- 1 TO 10- 2	RAM CIRCUIT-FIRST RAM - ELECTRIC CONTROL RAM CIRCUIT-SECOND RAM - ELECTRIC CONTROL RAM CIRCUIT-COWL RAM - ELECTRIC CONTROL	72.032.01 72.059.01 72.094.01
11- 1 TO 11- 2	RAM CIRCUIT-FIRST RAM - CABLE CONTROL RAM CIRCUIT-SECOND RAM - CABLE CONTROL RAM CIRCUIT-COWL RAM - CABLE CONTROL	72.032.01 72.059.01 72.094.01
12- 1 TO 12- 2	DECALS-BASE LH DECALS-BASE RH	72.052.01 72.053.01
13- 1 TO 13- 2	ACCUMULATOR KIT	72.035.01

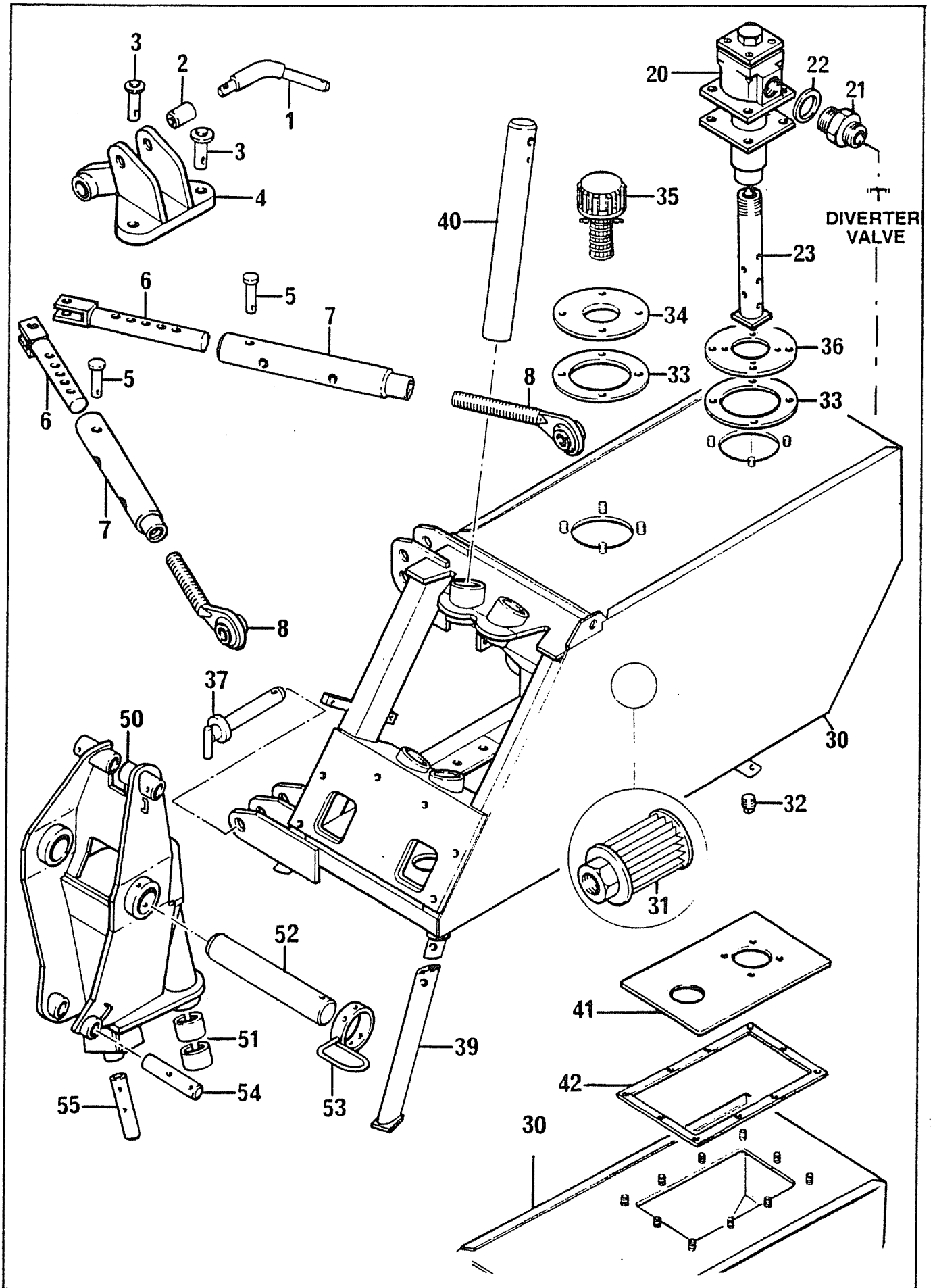
IMPORTANT

IT IS POTENTIALLY HAZARDOUS TO FIT OR USE
ANY PARTS OTHER THAN GENUINE BOMFORD TURNER PARTS.

THE COMPANY DISCLAIMS ALL LIABILITY FOR THE
CONSEQUENCES OF SUCH USE, WHICH IN ADDITION
VOIDS THE MACHINE WARRANTY.

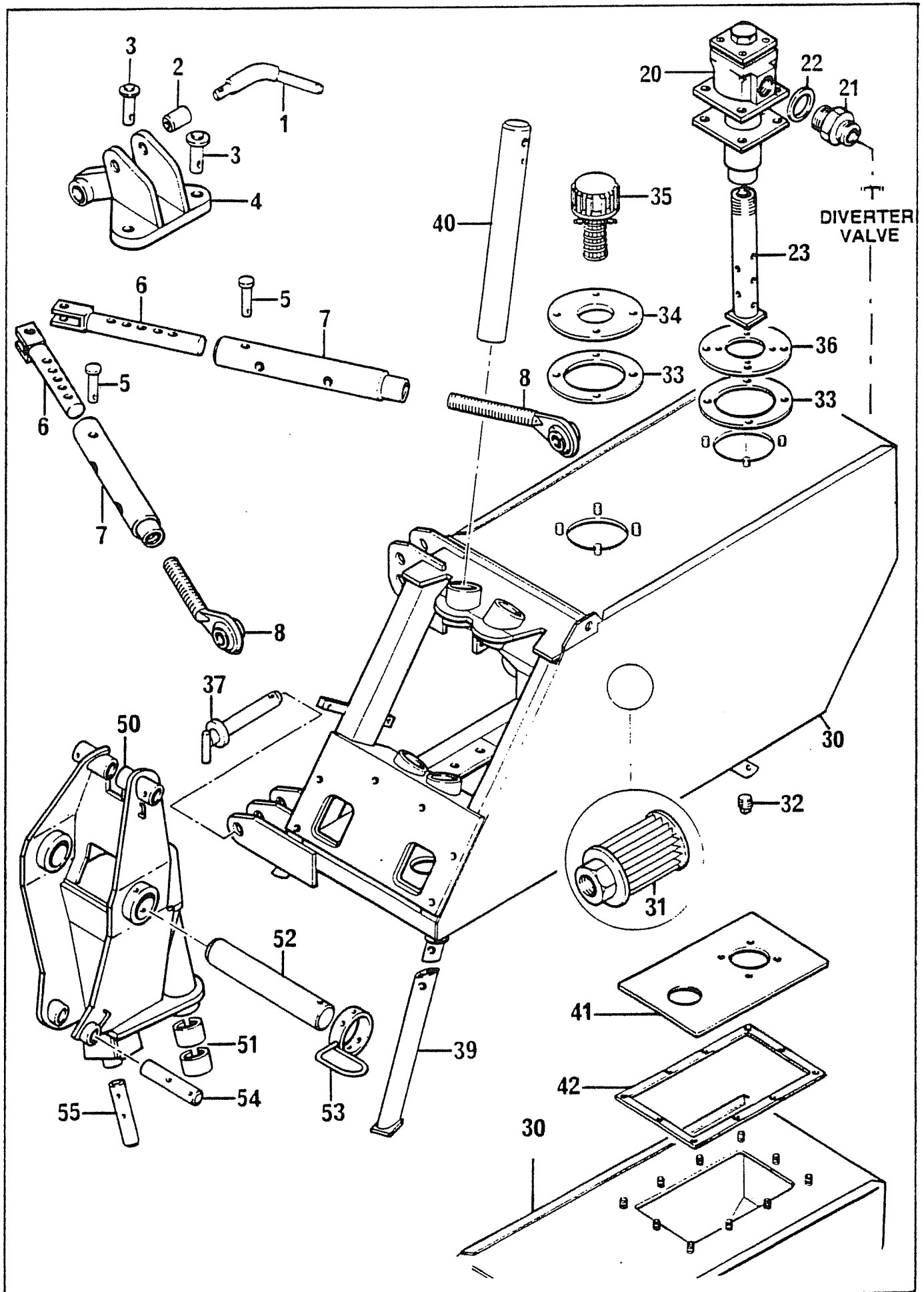
THIS MACHINE IS FOR VEGETATION CONTROL AND
MUST NOT BE USED FOR ANY OTHER PURPOSE

CHECK REAR OF MANUAL FOR UPDATES



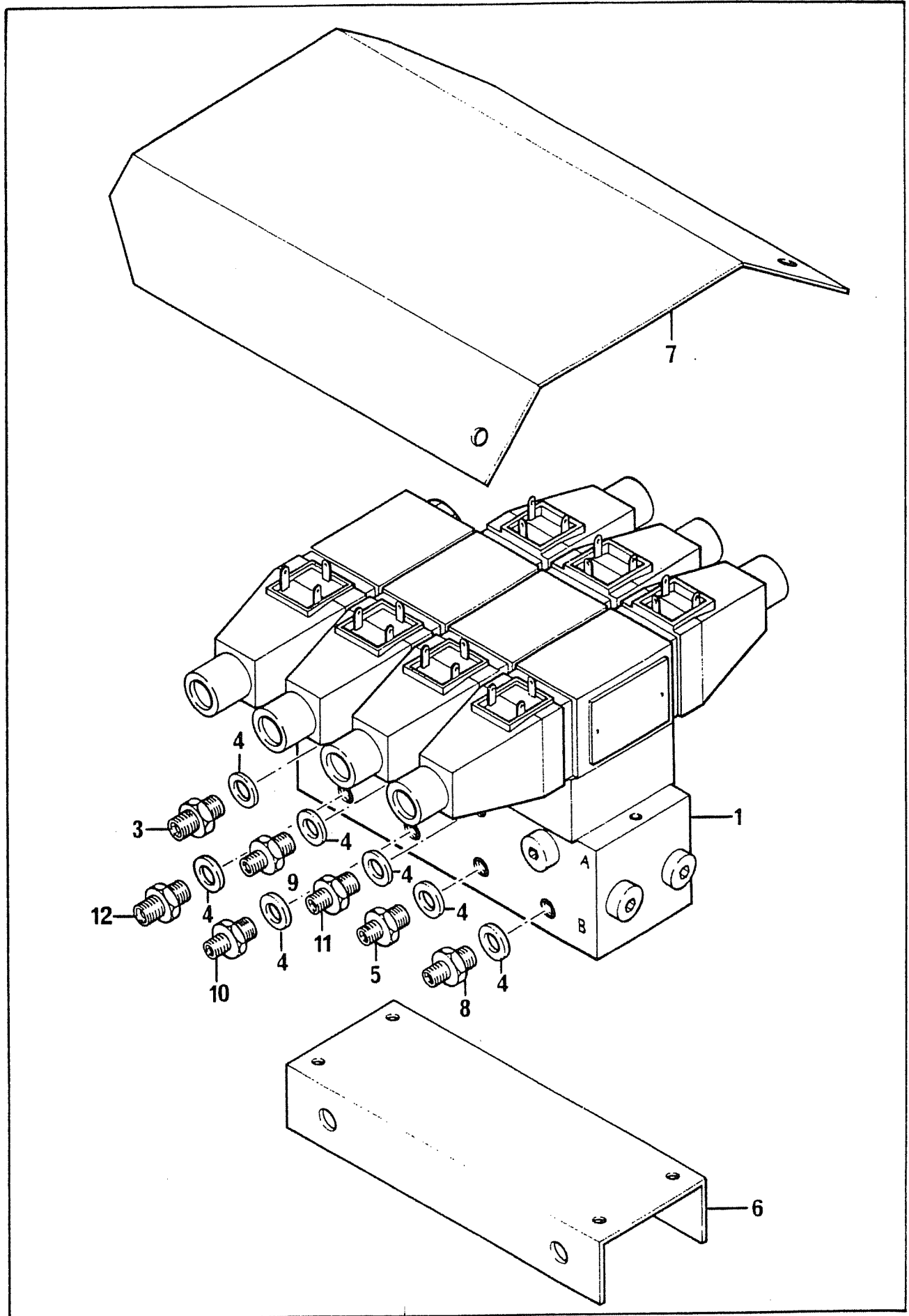
REF	PART NO.	DESCRIPTION	QTY	SERIAL NO. FROM - TO
72.085.01		TRACTOR MOUNTINGS		
01	00.372.01	LINCH PIN	1	
*01	02.068.01	PIN 3/4"DIA X1" X 248MM PLATED	1	
*02	03.872.02	SPACER 250/DX19.5I/DX50 PLATE	1	
*03	03.652.12	PIN DIA 20 X 65 LG	2	
03	05.201.11	TENSION PIN 5MM X 45MM	2	
03	05.281.05	FLAT WASHER 20MM PLATED	2	
*04	07.740.01	UPPER HITCH JOINT - A FRAME	1	
05	05.964.01	SPRING COTTER 3.6MM DIA	2	
*05	07.737.01	PIN - A FRAME ADJUSTMENT	2	
*06	07.739.01	INNER ROD - A FRAME	2	
*07	07.738.01	OUTER TUBE - A FRAME	2	
*08	07.731.01	BALL END - A FRAME	2	
72.089.01		FILTER ASSEMBLY		
*20	03.824.05	FILTER ASSY(110 LITRE)	1	
20	03.824.07	FILTER ELEMENT(110 LITRE)	-	
20	05.282.07	SPRING WASHER 6MM PLATED	4	
20	05.839.04	SETSCREW M6 X 30MM PLATED	4	
*21	05.290.07	BONDED SEAL 1"BSP	1	
*22	05.434.01	ADAPTOR 1"BSP X 1"BSP	1	
*23	03.825.01	PIPE - FILTER	1	
72.043.02, 72.044.02		MAINFRAME		
30	02.717.02	PLUG PLASTIC 50MM	1	
30	05.227.01	HAMMER DRIVE SCREW NO.6 X 3/8"	2	
30	05.264.32	SETSCREW M16 X 25MM PLATED	6	
30	05.281.01	FLAT WASHER 8MM PLATED	8	
30	05.281.04	FLAT WASHER 16MM PLATED	6	
30	05.282.03	SPRING WASHER 12MM PLATED	2	
30	05.282.04	SPRING WASHER 16MM PLATED	6	
30	05.286.01	NUT M8 PLATED	8	
30	05.286.03	NUT M12 PLATED	3	
30	05.292.23	BOLT M12 X 100MM PLATED	1	
30	05.292.25	BOLT M12 X 120MM PLATED	1	
30	05.774.04	SERIAL NO. PLATE (BOMFORD)	1	
*30	07.948.01	MAINFRAME LH	1	
*30	07.948.02	MAINFRAME RH	1	
*30	07.948.03	MAINFRAME LH	1	
*30	07.948.04	MAINFRAME RH	1	
*31	05.367.02	FILTER - SUCTION	1	
*32	05.495.01	PLUG 1/2"BSPT PLATED	1	
*33	03.823.01	GASKET	2	
*34	06.967.01	PLATE - FILLER	1	
*35	06.966.01	BREATHER CAP & STRAINER ASSY	1	
*36	03.822.01	PLATE-FILTER MOUNTING	1	

*MAIN PART IN GROUP, RELATED PARTS HAVE SAME REFERENCE NUMBER.



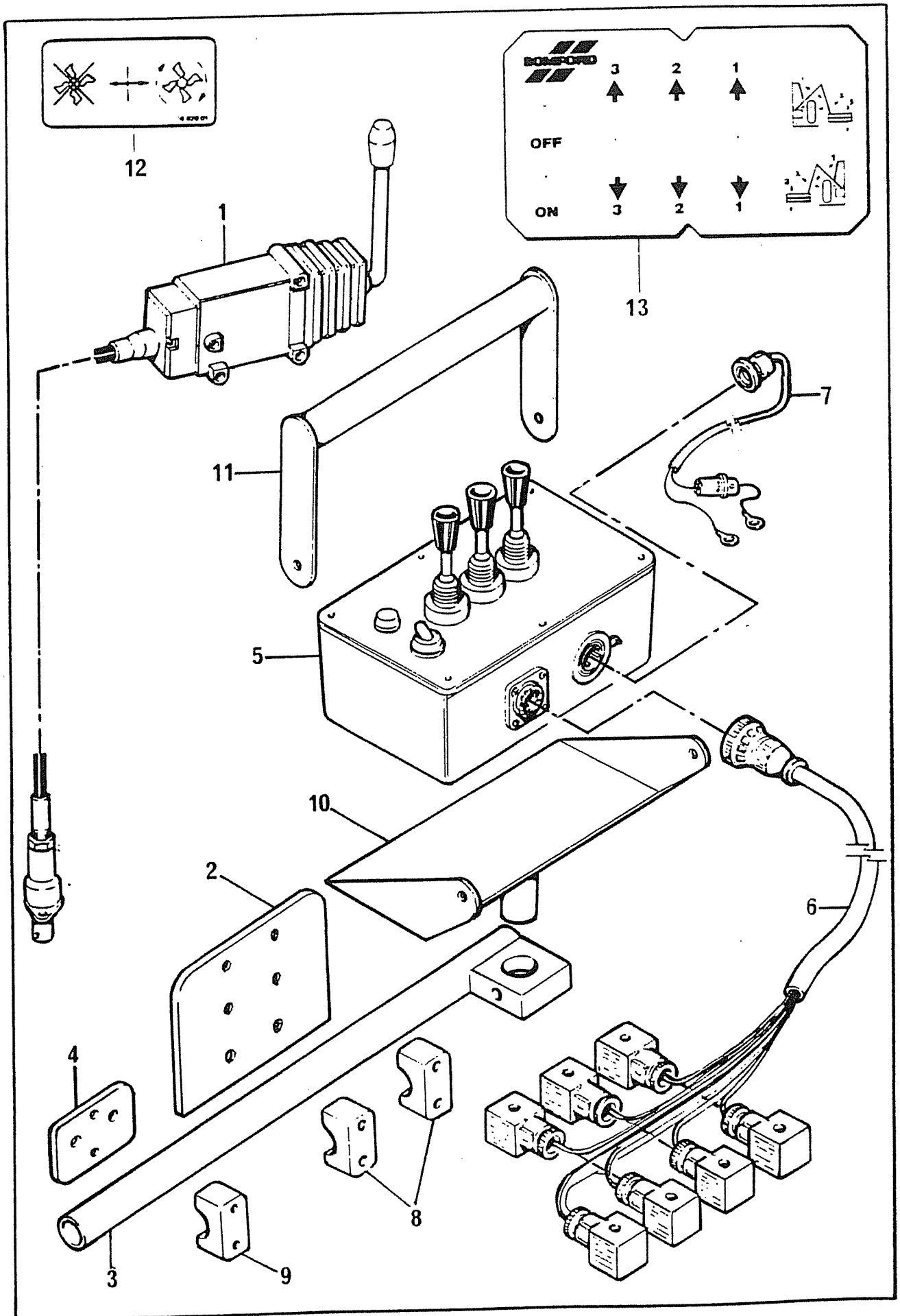
REF	PART NO.	DESCRIPTION	QTY	SERIAL NO. FROM - TO
37	00.372.01	LINCH PIN	2	
*37	07.574.01	PIN - 1.1/8" X 172MM	2	
*39	07.921.01	STAND	4	
39	11.192.91	PIN - LOCKING 3/8" DIA	4	
*40	03.657.22	PIN - 50 DIA X 555	1	
40	05.282.03	SPRING WASHER 12MM PLATED	1	
40	05.286.03	NUT M12 PLATED	1	
40	05.292.22	BOLT M12 X 90MM PLATED	1	
*41	08.604.01	PLATE-TANK TOP	1	
*42	08.605.01	GASKET	1	
72.083.01, 72.084.01		KINGPOST		
50	03.786.02	INSTRUCTION PLATE-GREASE M10	1	
50	05.953.04	GREASE NIPPLE M10 90 DEG	1	
*50	07.934.01	BRACKET - KINGPOST LH.	1	
50	07.934.02	BRACKET - KINGPOST RH.	1	
*51	02.771.02	TENSION BUSH 55 X 50 X 50	2	
*52	03.657.21	PIN 50 DIA X 340	1	
52	05.282.03	SPRING WASHER 12MM PLATED	1	
52	05.286.03	NUT M12 PLATED	1	
52	05.292.24	BOLT M12 X 110MM PLATED	1	
*53	07.943.01	BRACKET - HOSE GUIDE	1	
*54	03.654.44	PIN 30 DIA X 160	1	
54	03.786.01	INSTRUCTION PLATE-GREASE M6	1	
54	05.201.07	TENSION PIN 8MM X 45MM	1	
54	05.953.01	GREASE NIPPLE M6	1	
*55	03.653.41	PIN - 25 DIA X 146	1	
55	03.786.01	INSTRUCTION PLATE-GREASE M6	1	
55	05.201.07	TENSION PIN 8MM X 45MM	1	
55	05.953.01	GREASE NIPPLE M6	1	

*MAIN PART IN GROUP. RELATED PARTS HAVE SAME REFERENCE NUMBER.



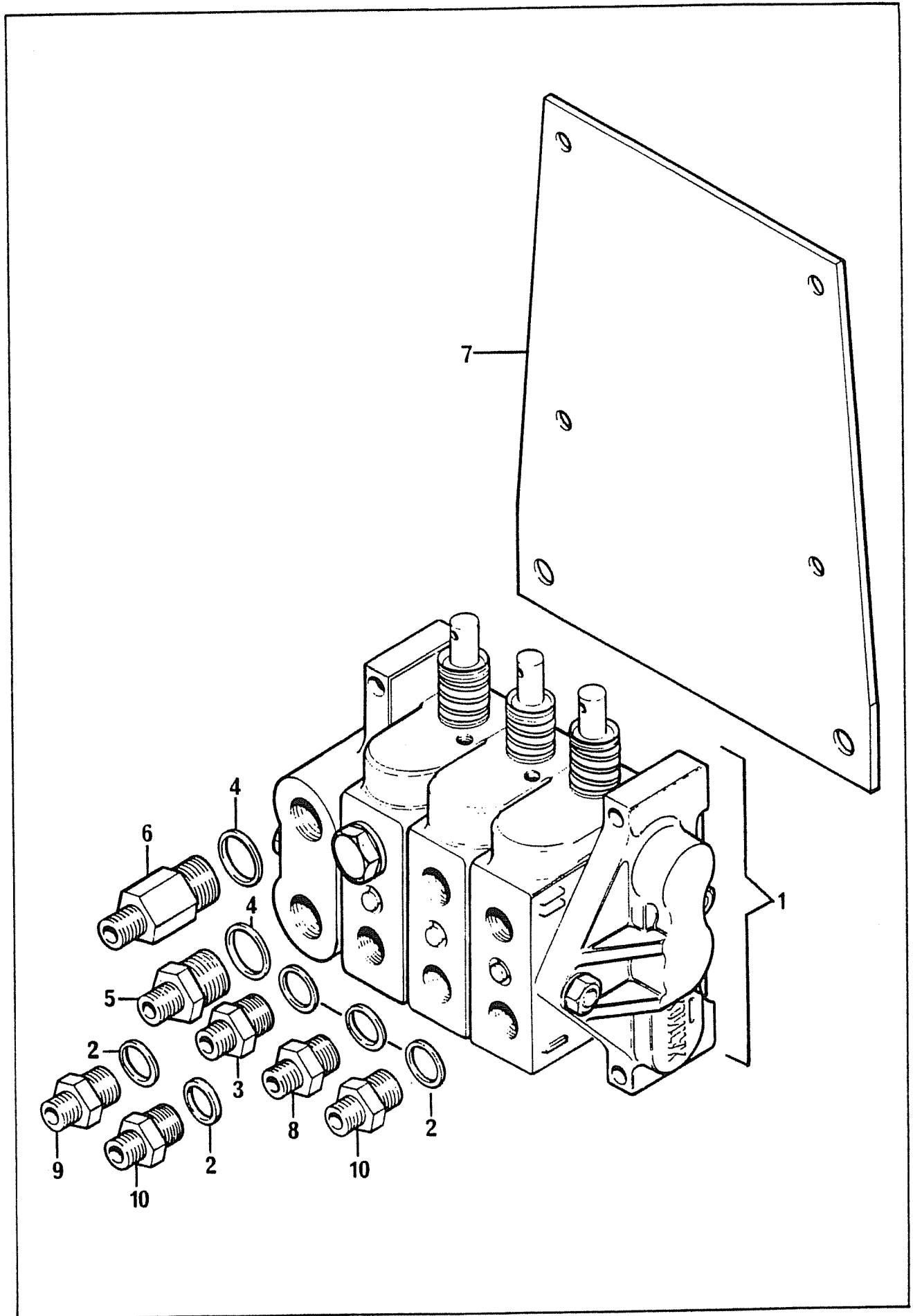
REF	PART NO.	DESCRIPTION	QTY	SERIAL NO. FROM - TO
72.034.01		CONTROL VALVE ASSEMBLY - ELECTRIC		
*01	07.635.05	CONTROL VALVE ASSEMBLY VICKERS	1	
01	07.635.06	SEAL KIT (07.635.05 VALVE)	-	
*03	05.124.01	ADAPTOR 3/8" BSP X 3/8" BSP	1	
*04	05.290.04	BONDED SEAL 3/8"BSP	7	
*05	03.028.08	RESTRICTOR 3/8BSP X 1/4BSP	1	
*06	07.920.01	PLATE - CONTROL VALVE VICKERS	1	
06	30.073.93	SCREW M5 X 16MM 8.8 GRADE	4	
06	05.282.09	SPRING WASHER 5MM PLATED	1	
07	05.264.01	SETSCREW M8 X 20MM PLATED	2	
07	05.281.01	FLAT WASHER 8MM PLATED	2	
07	05.282.01	SPRING WASHER 8MM PLATED	2	
*07	07.922.01	COVER - VALVE	1	
*08	03.028.12	RESTRICTOR 3/8BSP X 1/4BSP	1	
*09	03.028.16	RESTRICTOR 3/8X1/4"BSP 1.00MM	1	
*10	03.028.16	RESTRICTOR 3/8X1/4"BSP 1.00MM	1	
*11	03.028.16	RESTRICTOR 3/8X1/4"BSP 1.00MM	1	
*12	05.124.01	ADAPTOR 3/8" BSP X 3/8" BSP	1	

*MAIN PART IN GROUP. RELATED PARTS HAVE SAME REFERENCE NUMBER.



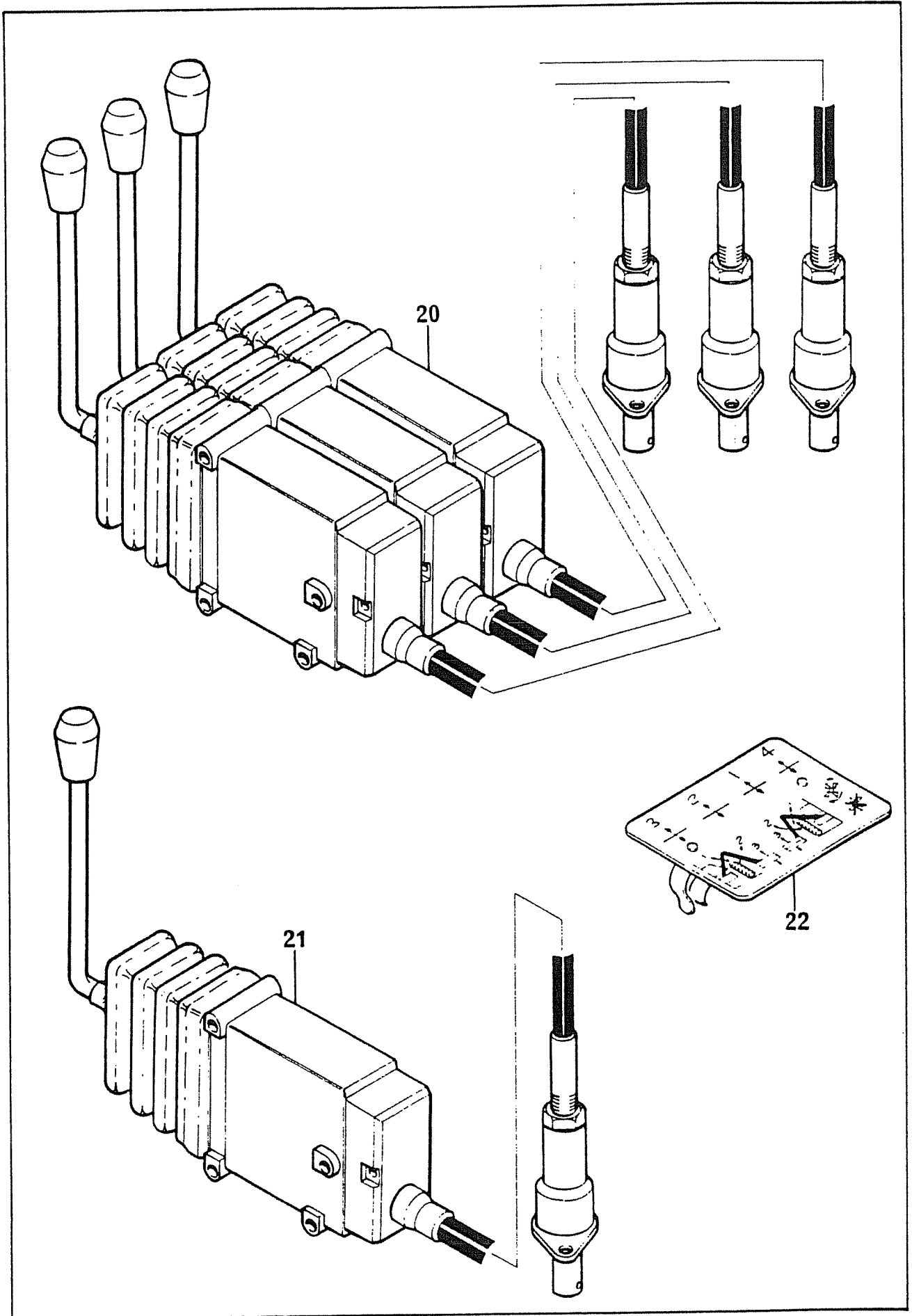
REF	PART NO.	DESCRIPTION	QTY	SERIAL NO. FROM - TO
72.026.02		REMOTE CONTROL ASSEMBLY - ELECTRIC		
01	04.265.08	LEVER ASSY	-	
01	04.265.11	BUSH	-	
01	04.265.19	SPRING COVER	-	
01	04.265.24	LEVER	-	
01	04.265.28	PIN	-	
01	04.265.33	CABLE ASSY 2.5M	-	
*01	04.265.35	REMOTE CONTROL ASSY-1BANK 2.5M	1	
02	05.264.02	SETSCREW M8 X 25MM PLATED	2	
02	05.281.01	FLAT WASHER 8MM PLATED	2	
02	05.282.01	SPRING WASHER 8MM PLATED	1	
02	05.948.07	WING NUT M8 - PLATED	3	
*02	06.317.01	PLATE-CONTROL BOX	1	
03	05.264.12	SETSCRW M10 X 25MM PLATED	1	
*03	08.318.01	TUBE - CONTROL BOX MOUNTING	1	
04	05.281.01	FLAT WASHER 8MM PLATED	3	
04	05.282.01	SPRING WASHER 8MM PLATED	3	
04	05.291.07	BOLT M8 X 60MM PLATED	3	
04	05.948.07	WING NUT M8 - PLATED	3	
*04	08.321.01	PLATE - LEVER MOUNTING	1	
05	05.282.09	SPRING WASHER 5MM PLATED	4	
05	05.286.09	NUT M5 PLATED	4	
*05	07.834.01	CONTROL BOX - 3 JOYSTICK	1	
*06	07.835.01	WIRING HARNESS	1	
06	07.835.02	GASKET FOR HIRSCHMAN CONNECTOR	-	
06	07.835.03	SCREW FOR HIRSCHMANN CONNECTOR	-	
*07	06.616.01	CABLE ASSY - 2 CORE X5.5M	1	
07	06.616.02	FUSE - 15A IN-LINE	-	
08	30.068.90	BOLT M6 X 55MM 8.8 GRADE Z/P	4	
08	30.070.64	NUT NYLOC M6 Z/P	4	
*08	30.209.71	CLAMP SINGLE 1"	4	
08	30.209.73	COVER PLATE	2	
09	30.068.88	BOLT M6 X 45MM 8.8 GRADE Z/P	2	
*09	30.209.71	CLAMP SINGLE 1"	2	
09	30.209.73	COVER PLATE	1	
*10	08.319.01	PLATE-CONTROL BOX MOUNTING	1	
11	05.839.05	SETSCRW M6X 16MM PLATED	2	
*11	08.320.01	ARM REST	1	
11	30.070.64	NUT NYLOC M6 Z/P	2	
*12	06.820.01	DECAL-ROT. SHAFT CONTROL LEVER	1	
*13	08.312.01	DECAL - 3 JOYSTICK	1	

*MAIN PART IN GROUP. RELATED PARTS HAVE SAME REFERENCE NUMBER.



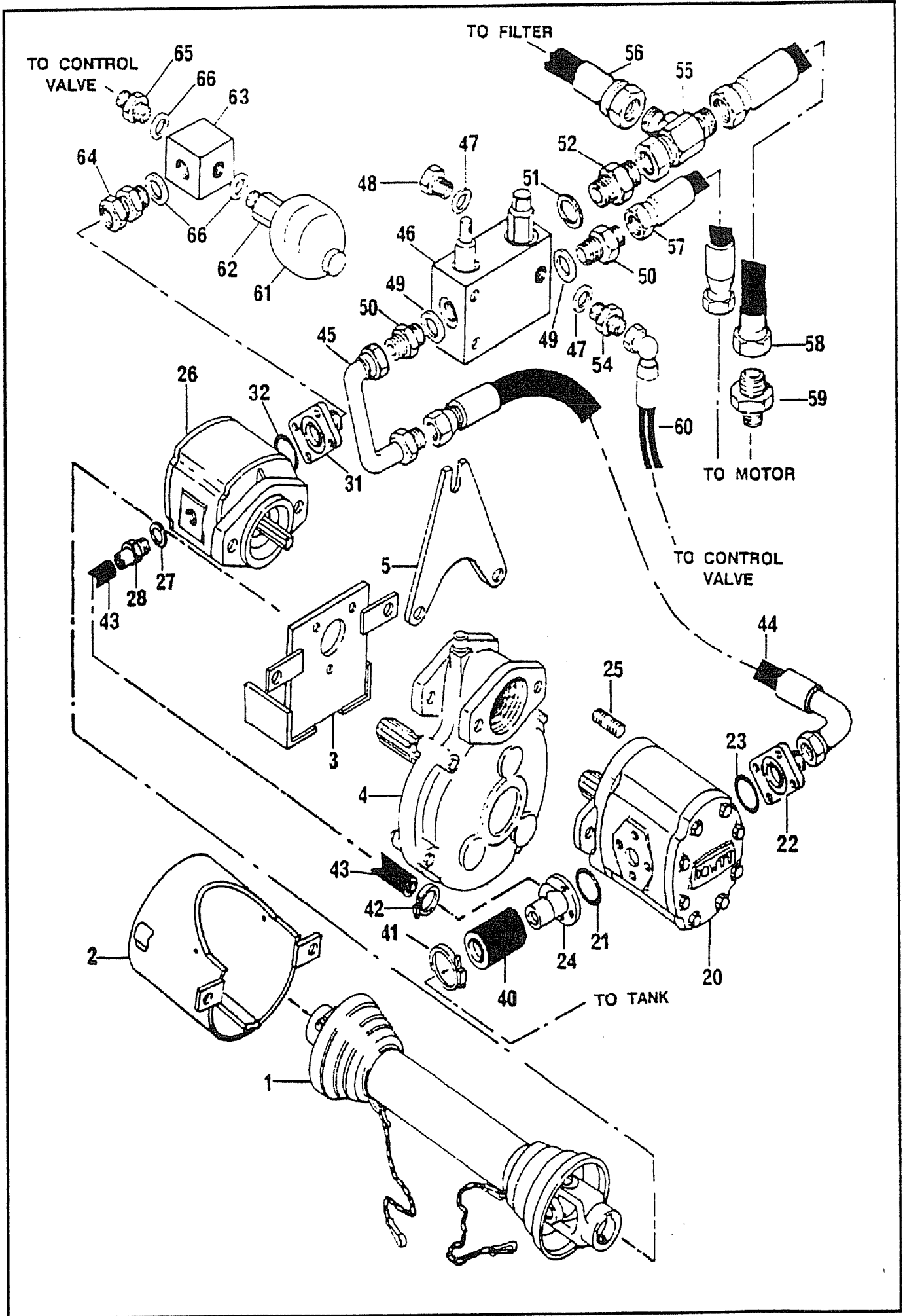
REF	PART NO.	DESCRIPTION	QTY	SERIAL NO. FROM - TO
72.116.01		CONTROL VALVE ASSEMBLY CABLE		
01	01.407.14	VALVE SLICE ASSY D/A	-	
01	01.407.15	END COVER C.C.	-	
01	01.407.20	END COVER O.C.	-	
01	01.407.21	INLET COVER ASSY C/W R/V	-	
01	01.407.26	VALVE SLICE ASSY S/A	-	
01	01.407.60	RELIEF VALVE 207 BAR (3000PSI)	-	
*01	01.407.61	VALVE ASSY-3 SPOOL O.C	1	
01	03.542.01	SPECIAL ADAPTOR-CABLE	-	
01	05.449.01	SEAL KIT (01407 VALVES)	-	
01	05.625.11	SKT CAPSCRW 1/4UNC X 5/8 PLATED	6	
*02	05.290.05	BONDED SEAL 1/2"BSP	5	
*03	01.099.03	ADAPTOR 1/2BSP X 1/4BSP	1	
*04	05.290.06	BONDED SEAL 3/4"BSP	2	
*05	05.128.01	ADAPTOR 3/4" BSP X 3/8" BSP	1	
*06	05.380.01	ADAPTOR 3/4"BSPX3/8"BSP(EXTND)	1	
07	05.282.02	SPRING WASHER 10MM PLATED	3	
07	05.286.02	NUT M10 PLATED	3	
07	05.291.17	BOLT M10 X 60MM PLATED	3	
*07	08.057.01	PLATE - CONTROL VALVE KONTAK	1	
*08	03.028.20	RESTRICTOR 1/2X1/4"BSP 1.27MM	1	
*09	03.028.19	RESTRICTOR 1/2X1/4"BSP 1.00MM	1	
*10	01.199.03	ADAPTOR 1/2 BSP X 1/4 BSP	2	

*MAIN PART IN GROUP. RELATED PARTS HAVE SAME REFERENCE NUMBER.



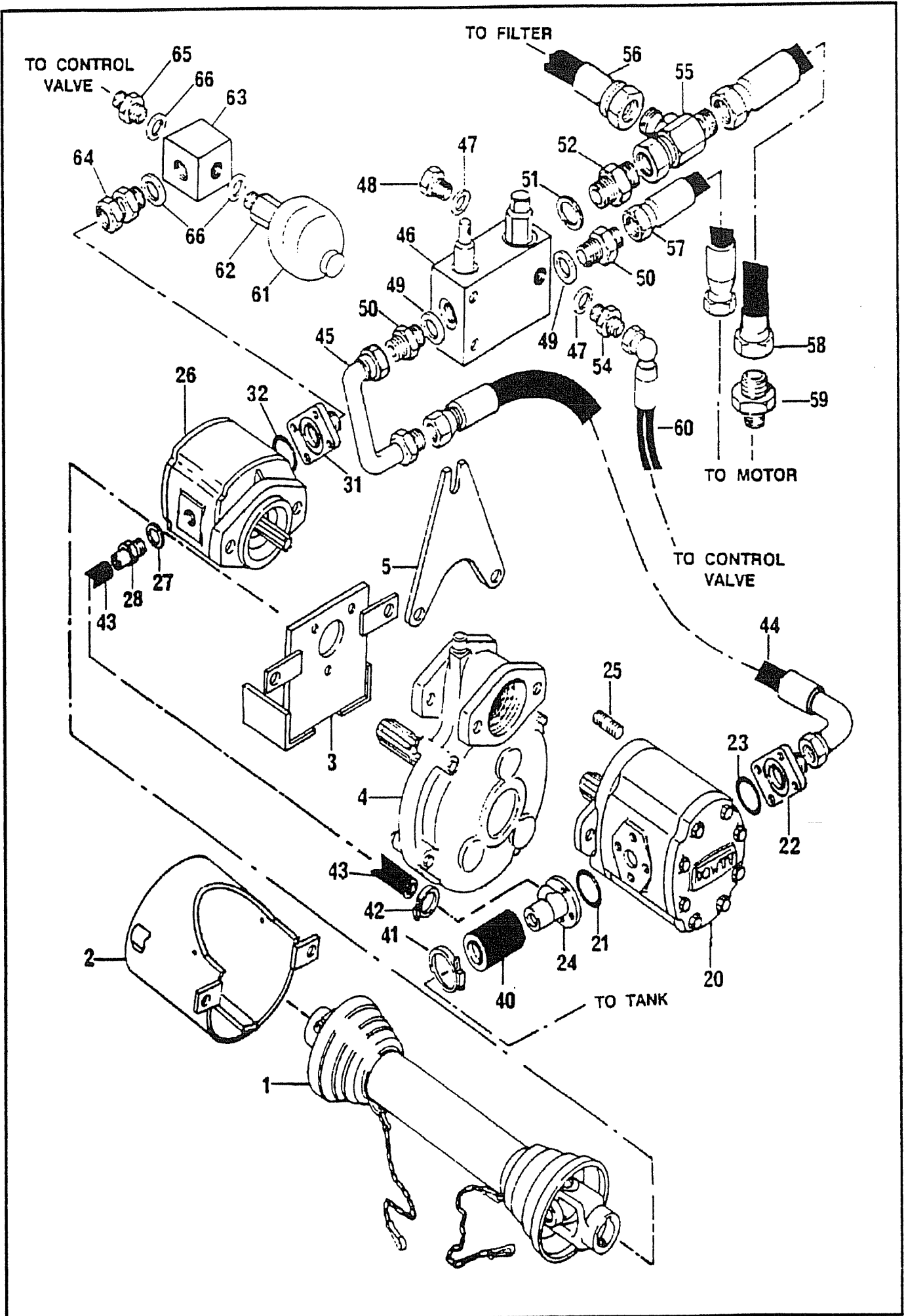
REF	PART NO.	DESCRIPTION	QTY	SERIAL NO. FROM - TO
71.005.02		REMOTE CONTROL ASSEMBLY - CABLE		
*20	04.265.05	REMOTE CONTROL ASSY-1 BANK 2.0M	3	
20	04.265.07	CABLE ASSY 2.0M	-	
20	04.265.08	LEVER ASSY	-	
20	04.265.11	BUSH	-	
20	04.265.19	SPRING COVER	-	
20	04.265.24	LEVER	-	
20	04.265.28	PIN	-	
20	05.281.01	FLAT WASHER 8MM PLATED	6	
20	05.948.07	WING NUT M8 - PLATED	2	
21	04.265.08	LEVER ASSY	-	
21	04.265.11	BUSH	-	
21	04.265.19	SPRING COVER	-	
21	04.265.28	PIN	-	
21	04.265.33	CABLE ASSY 2.5M	-	
*21	04.265.35	REMOTE CONTROL ASSY-1BANK 2.5M	1	
21	04.265.53	LEVER - SHORT	-	
21	04.282.01	STUD M8 X 196MM PLATED	3	
21	05.286.01	NUT M8 PLATED	3	
*22	03.541.09	INSTRUCTION PLATE - RAM OP.	1	

*MAIN PART IN GROUP, RELATED PARTS HAVE SAME REFERENCE NUMBER.



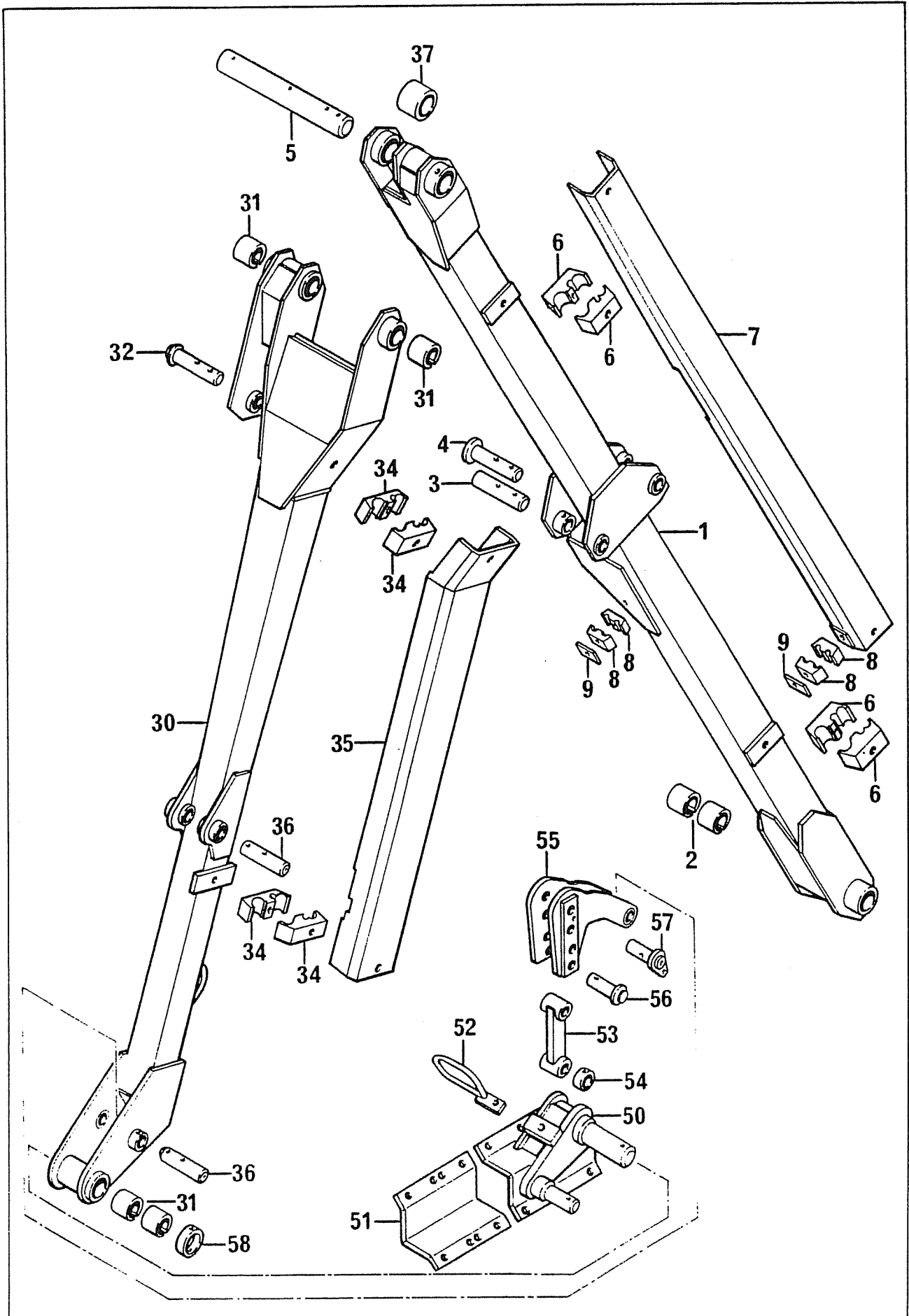
REF	PART NO.	DESCRIPTION	QTY	SERIAL NO. FROM - TO
72.036.02		PTO AND GEARBOX		
01	04.043.02	JOURNAL BEARING KIT	-	
01	04.043.03	PTO SHAFT GUARD ASSY	-	
*01	04.043.20	PTO SHAFT ASSY 610MM C/C	1	
02	05.264.02	SETSCREW M8 X 25MM PLATED	2	
02	05.282.01	SPRING WASHER 8MM PLATED	2	
02	05.286.01	NUT M8 PLATED	2	
*02	06.170.01	GUARD - PTO	1	
03	05.264.23	SETSCREW M12 X 30MM PLATED	3	
03	05.264.24	SETSCREW M12 X 35MM PLATED	2	
03	05.282.03	SPRING WASHER 12MM PLATED	5	
03	05.286.03	NUT M12 PLATED	2	
*03	07.931.01	BRACKET - GEARBOX	1]	
04	03.840.02	SEAL KIT (03840 GEARBOXES)	-)	UP TO 1093E
*04	03.840.37	GEARBOX ASSY - TW.PUMP	1]	
*03	09.889.01	BRACKET - GEARBOX	1]	
04	09.828.15	SEAL KIT (09828 GEARBOXES)	-]	FROM 1094E
*04	09.828.01	GEARBOX ASSY - TW.PUMP	1]	
05	05.264.24	SETSCREW M12 X 35MM PLATED	1	
05	05.281.03	FLAT WASHER 12MM PLATED	1	
05	05.282.02	SPRING WASHER 10MM PLATED	2	
05	05.286.02	NUT M10 PLATED	2	
05	05.287.03	SELF-LOCKING NUT M12 PLATED	1	
05	05.291.15	BOLT M10 X 50MM PLATED	2	
*05	06.157.03	STAY - GEARBOX	1	UP TO 1093E
72.033.01		PUMPS		
20	01.071.13	KEY-SEP 1/4"X1/4"X1"	-	UP TO 1093E
20	05.642.02	SEAL KIT (05 650 PUMPS)	-	
*20	05.650.02	PUMP ASSY (207 BAR)	1	UP TO 1093E
*20	05.650.03	PUMP ASSY (207 BAR)	1	FROM 1094E
*21	05.656.01	"O"RING 28 I/D X 2.5	1	
*22	03.864.01	ADAPTOR-FLANGED 3/4"BSP PLATED	1	
22	05.657.01	SCKT CAPSCRW 5/16"UNCX7/8" PLT	4	
*23	05.656.03	"O"RING 25 I/D X 3.53	1	
24	05.657.01	SCKT CAPSCRW 5/16"UNCX7/8" PLT	4	
*24	06.251.01	ADAPTOR-INLET PLATED	1	
*25	03.100.01	STUD M10 X 36MM	2	
25	05.282.02	SPRING WASHER 10MM PLATED	2	
25	05.286.02	NUT M10 PLATED	2	
26	04.002.02	SEAL KIT (FOR 04002 PUMPS)	-	
*26	04.002.17	PUMP ASSEMBLY	1	
*27	05.290.05	BONDED SEAL 1/2"BSP	1	
*28	04.244.01	ADAPTOR 1/2"BSP X 3/4"O/D	1	
*29	05.290.05	BONDED SEAL 1/2"BSP	1]	UP TO 1093E
*30	05.123.01	ADAPTOR 1/2" BSP X 3/8" BSP	1]	
*31	09.745.01	ADAPTOR-FLANGED 3/4"BSP	1]	
31	05.657.01	SCKT CAPSCRW 5/16"UNC X 7/8" PLT	4]	FROM 1094E
*32	30.210.92	"O"RING	1]	

*MAIN PART IN GROUP, RELATED PARTS HAVE SAME REFERENCE NUMBER.



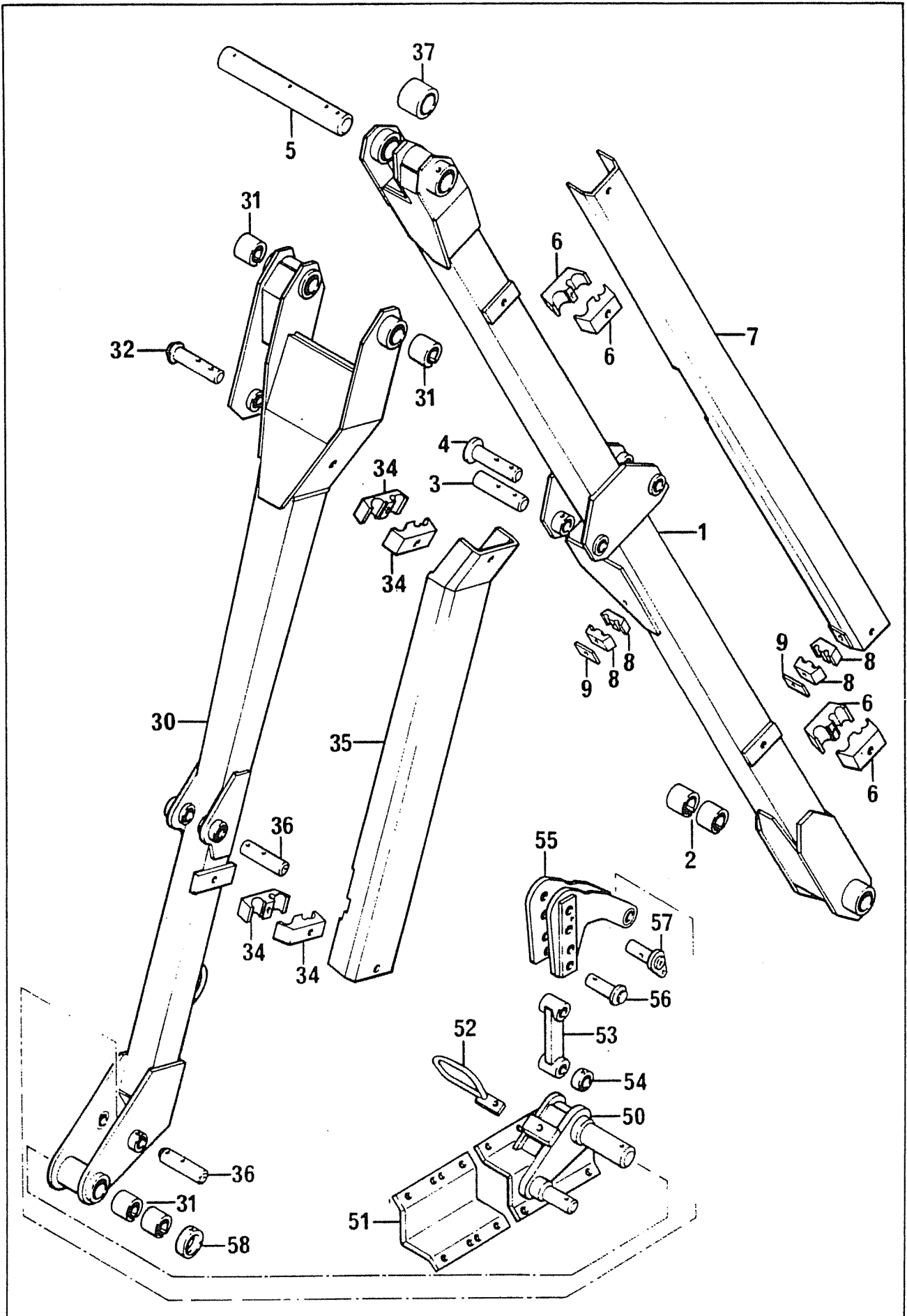
REF	PART NO.	DESCRIPTION	QTY	SERIAL NO. FROM - TO
72.046.01		PUMP CIRCUITS		
*40	06.288.01	HOSE 1.1/2" BORE X 120MM	1	
*41	05.863.02	JUBILEE CLIP 2"DIA	2	
*42	05.863.03	JUBILEE CLIP 25MM DIA	2	
*43	05.983.09	HOSE 3/4" BORE X 650MM PLAIN	1	
*44	05.994.24	HOSE 3/4"BSP X 1200MM 90 X ST	1	
*45	06.459.03	PIPE STEEL 3/4"BSP M/F	1	
46	05.281.01	FLAT WASHER 8MM PLATED	2	
46	05.282.01	SPRING WASHER 8MM PLATED	2	
46	05.291.07	BOLT M8 X 60MM PLATED	2	
46	05.657.01	SCKT CAPSCRW 5/16"UNCX7/8" PLT	2	
*46	06.284.11	RELIEF VALVE/DIVERTER ASSY	1	
46	06.284.02	SEAL KIT FOR (06.284.01) VALVE	-	
46	06.299.05	RELIEF VALVE CARTRIDGE 152 BAR	-	
*47	05.117.01	COPPER WASHER 3/8" BSP	1	
*48	05.433.01	PLUG 3/8"BSP PLATED	1	
*49	05.290.06	BONDED SEAL 3/4"BSP	2	
*50	05.377.01	ADAPTOR 3/4"BSP X 3/4"BSP	2	
*51	05.290.07	BONDED SEAL 1"BSP	1	
*52	05.434.01	ADAPTOR 1"BSP X 1"BSP	1	
*53	05.290.04	BONDED SEAL 3/8"BSP	1	
*54	05.124.01	ADAPTOR 3/8" BSP X 3/8" BSP	1	
*55	04.056.02	ADAPTOR-SWIVEL TEE 1"BSP F/M/M	1	
*56	05.996.01	HOSE 1"BSP X 500MM 90XST	1	
*57	05.995.91	HOSE 3/4"BSP X 8300MM ST X ST	1	
*58	05.997.91	HOSE 1"BSP X 8300MM ST X ST	1	
*59	05.373.01	ADAPTOR 3/4"BSP X 1"BSP	1	
*61	08.746.01	ACCUMULATOR 0.16 LTR (70 BAR)	1	
*62	08.128.09	ADAPTOR M18 FEMALE X 3/8" MALE	1	
*63	00.954.01	DIST-BLOCK 3 PORT PLATED	1	
*64	02.714.01	ADAPTOR-SWIVEL ST 3/8" BSP M/F	1	
*65	05.124.01	ADAPTOR 3/8" BSP X 3/8" BSP	1	
*66	05.290.04	BONDED SEAL 3/8" BSP	3	

*MAIN PART IN GROUP, RELATED PARTS HAVE SAME REFERENCE NUMBER.



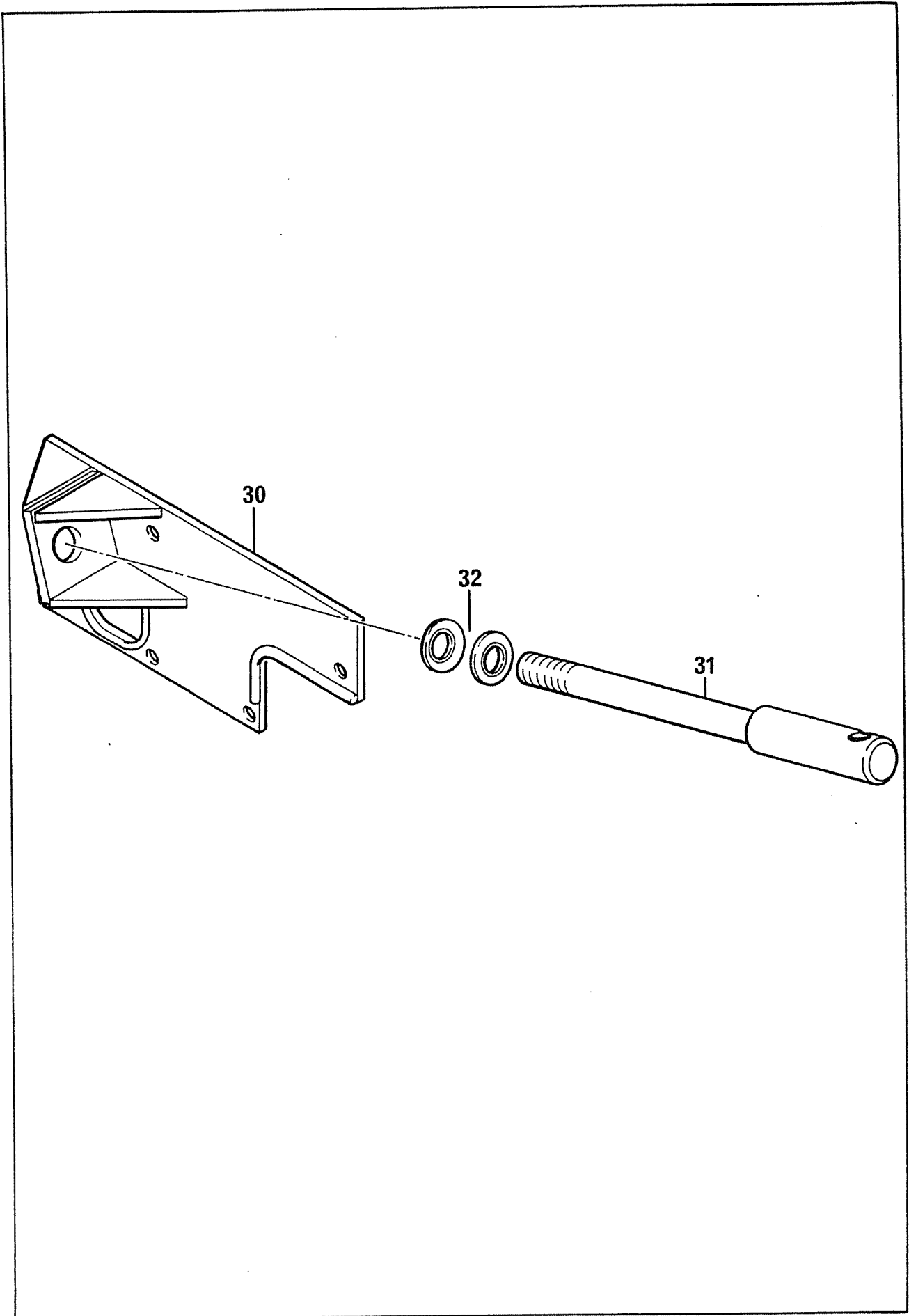
REF	PART NO.	DESCRIPTION	QTY	SERIAL NO. FROM - TO
72.031.02		FIRST ARM		
01	03.786.02	INSTRUCTION PLATE-GREASE M10	1	
01	05.953.04	GREASE NIPPLE M10 90 DEG	1	
*01	07.870.01	ARM - FIRST	1) UP TO 5496Z
*02	02.771.02	TENSION BUSH 55 X 50 X 50	2	
*01	08.582.01	ARM - FIRST	1] FROM 5497Z
*02	08.297.01	BUSH-PLASTIC	2	
*03	03.654.43	PIN 30 DIA X 140	1	
03	03.786.01	INSTRUCTION PLATE-GREASE M6	1	
03	05.201.07	TENSION PIN 8MM X 45MM	1	
03	05.953.01	GREASE NIPPLE M6	1	
*04	03.653.31	PIN 25 DIA X 120	1	
04	03.786.01	INSTRUCTION PLATE-GREASE M6	1	
04	05.201.07	TENSION PIN 8MM X 45MM	1	
04	05.953.01	GREASE NIPPLE M6	1	
05	03.068.01	SPECIAL SETSCREW M12 X 25	2	
*05	03.656.39	PIN - 40 DIA X 372	1	
05	03.786.01	INSTRUCTION PLATE-GREASE M6	2	
05	05.282.02	SPRING WASHER 10MM PLATED	1	
05	05.282.03	SPRING WASHER 12MM PLATED	2	
05	05.286.02	NUT M10 PLATED	1	
05	05.292.11	BOLT M10 X 80MM PLATED	1	
05	05.953.01	GREASE NIPPLE M6	2	
05	07.942.01	WASHER - M12 SPECIAL	2	
06	04.282.30	STUD M8 X 85 PLATED	2	
06	05.281.01	FLAT WASHER 8MM PLATED	2	
06	05.282.01	SPRING WASHER 8MM PLATED	2	
06	05.286.01	NUT M8 PLATED	2	
*06	06.430.10	CLAMP HOSE 38 X 28 X 14	4	
*07	07.876.01	COVER - FIRST ARM - 4.7M	1	
08	04.282.32	STUD M8 X 52	1	
08	05.281.01	FLAT WASHER 8MM PLATED	1	
08	05.282.01	SPRING WASHER 8MM PLATED	1	
08	05.286.01	NUT M8 PLATED	1	
*08	06.430.02	CLAMP HOSE 14 X 14	2	
*09	06.418.02	CLAMP PLATE 30 X 6 PLATED	1	
72.079.01, 72.080.01		SECOND ARM		
30	03.786.02	INSTRUCTION PLATE-GREASE M10	1	
30	05.953.01	GREASE NIPPLE M10	1	
*30	08.188.01	ARM-SECOND LH	1) UP TO 5496Z
30	08.188.02	ARM-SECOND RH	1	
*31	02.771.03	TENSION BUSH 45 X 40 X 50	4] FROM 5497Z
*30	08.601.01	ARM-SECOND LH	1	
30	08.601.02	ARM-SECOND RH	1	
*31	08.297.02	BUSH-PLASTIC	4	
*32	03.653.39	PIN 25 DIA X 128	1	
32	03.786.01	INSTRUCTION PLATE-GREASE M6	1	
32	05.201.07	TENSION PIN 8MM X 45MM	1	
32	05.953.01	GREASE NIPPLE M6	1	

*MAIN PART IN GROUP, RELATED PARTS HAVE SAME REFERENCE NUMBER.



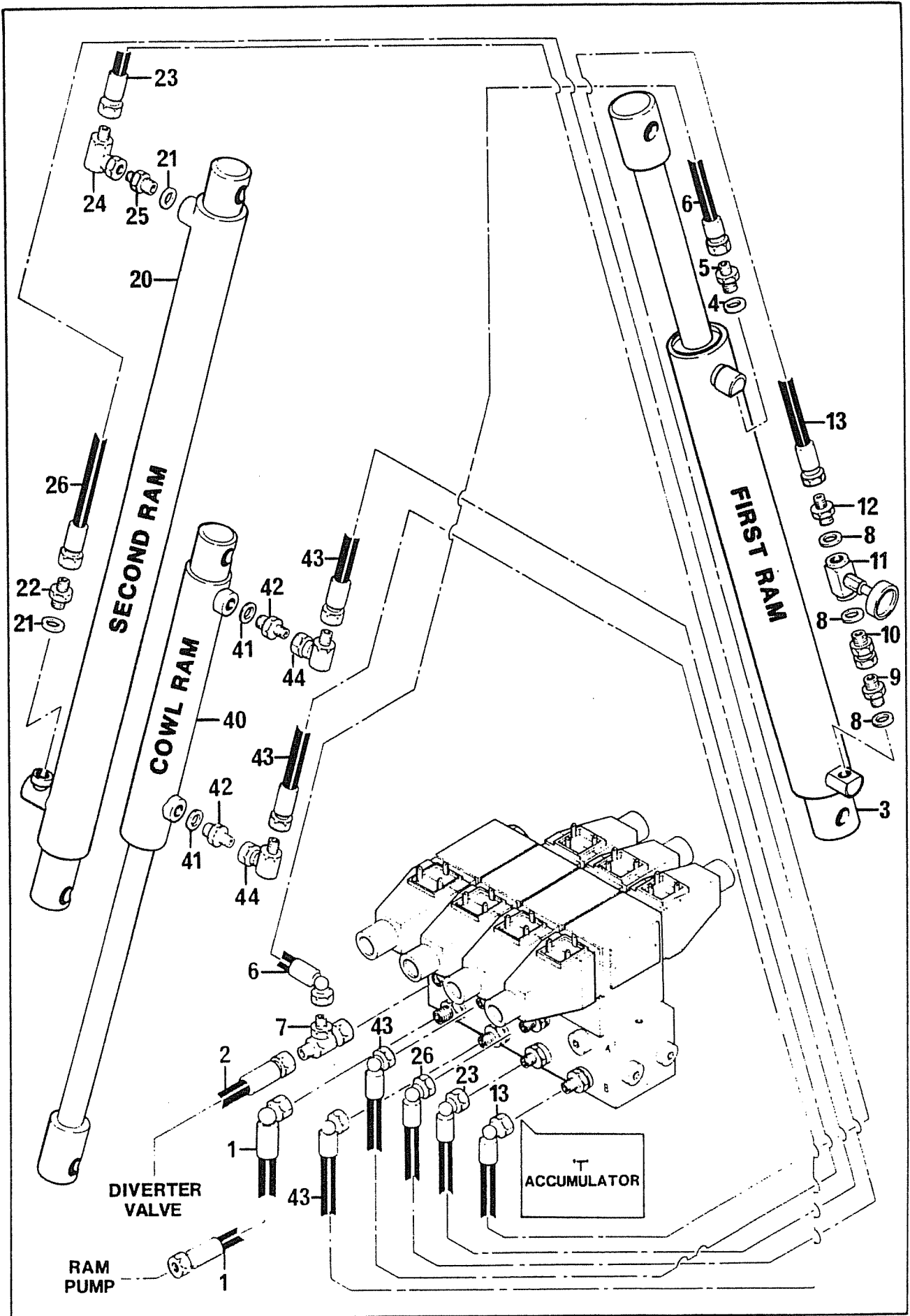
REF	PART NO.	DESCRIPTION	QTY	SERIAL NO. FROM - TO
34	04.282.30	STUD M8 X 85 PLATED	2	
34	05.281.01	FLAT WASHER 8MM PLATED	2	
34	05.282.01	SPRING WASHER 8MM PLATED	2	
34	05.286.01	NUT M8 PLATED	2	
*34	06.430.10	CLAMP HOSE 38 X 28 X 14	4	
*35	07.940.02	COVER - SECOND ARM	1	
*36	03.653.02	PIN 25 DIA X 117	2	
36	03.786.01	INSTRUCTION PLATE-GREASE M6	2	
36	05.201.11	TENSION PIN 5MM X 45MM	2	
36	05.953.01	GREASE NIPPLE M6	2	
*37	08.262.01	CDS 55 X 40.5 - 50	1	
72.078.01, 72.091.01		COWL BRACKET		
*50	03.835.02	COWL BRKT. LH	1	
50	03.835.02	COWL BRKT. RH	1	
*51	07.947.01	CLAMP-COWL BRKT	1	
51	05.264.25	SETSCREW M12 X 40MM PLATED	6	
51	05.282.03	SPRING WASHER 12MM PLATED	6	
51	05.286.03	NUT M12 PLATED	6	
*52	08.085.01	BRACKET-HOUSE GUIDE	1	
53	03.786.01	INSTRUCTION PLATE-GREASE M6	2	
*53	03.846.01	LINK-COLW	1	
53	05.953.01	GREASE NIPPLE M6	2	
*54	03.932.01	SPACER 45 O/D X 35 I/D X 16MM PLTD	1	
54	05.201.11	TENSION PIN 5MM X 45MM	1	
*55	03.931.01	LINK-RAM	1	
56	00.372.01	LINCH PIN	1	
*56	03.653.03	PIN 25 DIA X 106	1	
*57	03.653.04	PIN 25 DIA X 83	1	
57	03.786.01	INSTRUCTION PLATE-GREASE M6	1	
57	04.175.01	STUD M10 X 29MM	1	
57	05.281.02	FLAT WASHER 10MM PLATED	1	
57	05.953.01	GREASE NIPPLE M6	1	
57	05.968.02	SELF-LOCKING NUT M10 (FINE)	1	
*58	03.837.01	SPACER 50 X 40 X 20 PLATED	1	
58	05.201.10	TENSION PIN 10MM X 60MM	1	

*MAIN PART IN GROUP, RELATED PARTS HAVE SAME REFERENCE NUMBER.



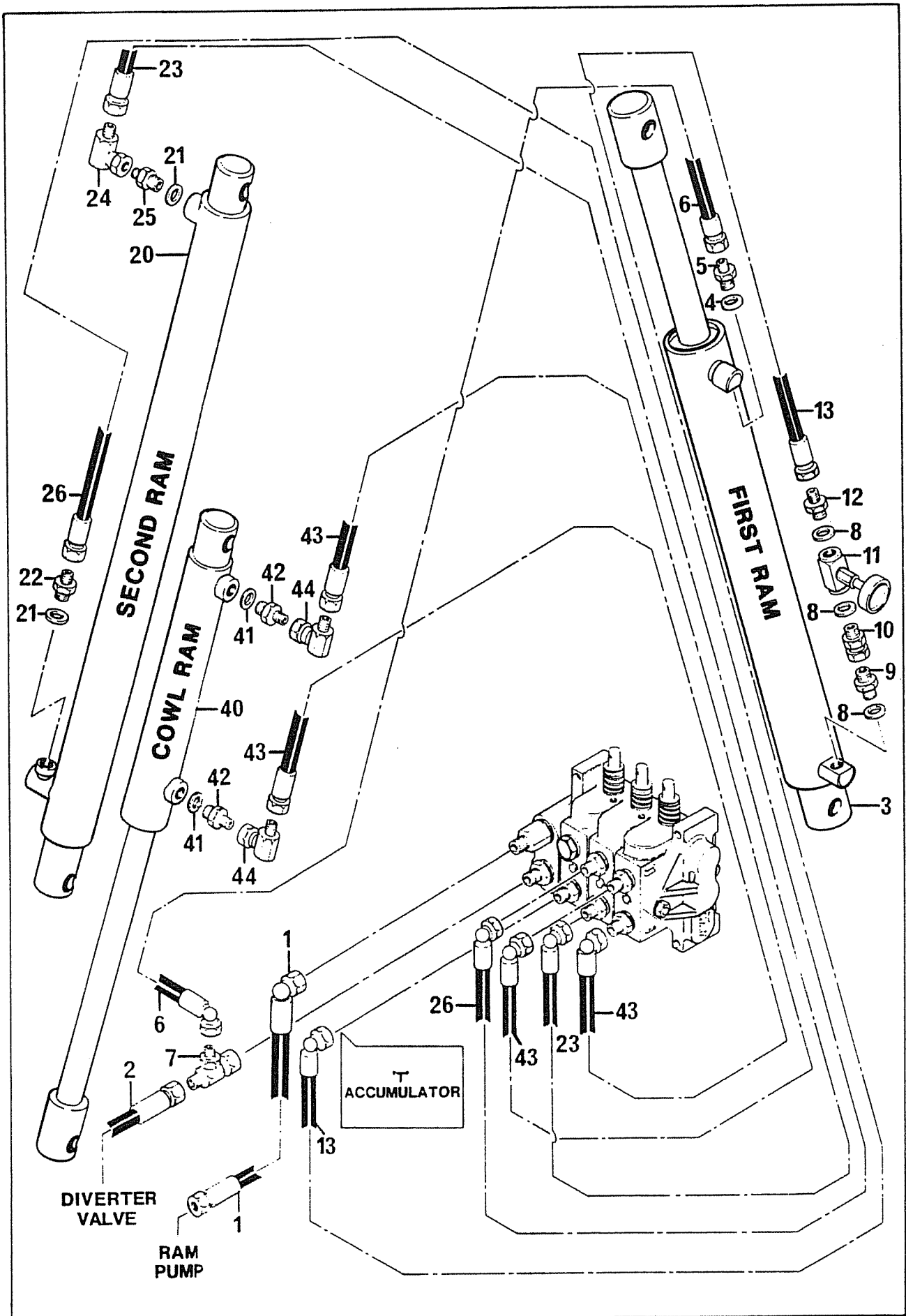
REF	PART NO.	DESCRIPTION	QTY	SERIAL NO. FROM - TO
72.098.01		BREAKOUT BRACKET - MECHANICAL		
*30	08.195.01	BRACKET-SPRING BREAKOUT LH	1	
30	08.195.02	BRACKET-SPRING BREAKOUT RH	1	
*31	08.196.01	ROD - SPRING BREAKOUT	1	
31	05.281.07	FLAT WASHER 30MM	1	
31	05.287.07	SELF-LOCKING NUT M30	1	
*32	30.214.47	DISC SPRING(60 X 30.5 X 3)	63	

*MAIN PART IN GROUP, RELATED PARTS HAVE SAME REFERENCE NUMBER.



REF	PART NO.	DESCRIPTION	QTY	SERIAL NO. FROM - TO
72.032.01		FIRST RAM		
*01	05.991.18	HOSE 3/8" BSP X 900MM 90 X ST	1	
*02	05.991.12	HOSE 3/8"BSP X 600MM 90 X ST	1	
*03	07.831.01	RAM ASS.Y 70 BORE X 615 STROKE	1	
03	07.831.02	SEAL KIT (FOR 07.831.01)	-	
*04	05.290.04	BONDED SEAL 3/8"BSP	1	
*05	01.099.01	ADAPTOR 3/8BSP X1/4BSP	1	
*06	05.990.32	HOSE 1/4"BSP X 2200MM 90 X ST	1	
*07	04.056.04	TEE ADAPTOR 3/8"X 1/4"X 3/8"	1	
*08	05.290.04	BONDED SEAL 3/8"BSP	3	
*09	03.028.15	RESTRICTOR 3/8 X 3/8BSP 1.7MM	1	
*10	02.714.01	ADAPTOR-SWIVEL ST 3/8BSP M/F	1	
*11	05.176.01	ISOLATOR VALVE ASSY 3/8"BSP	1	
*12	01.099.01	ADAPTOR 3/8BSP X1/4BSP	1	
*13	05.990.30	HOSE 1/4"BSP X 2000 MM STX90	1	
72.087.01		SECOND RAM		
20	04.156.13	SEAL KIT (04156 D/A RAMS)	-	
*20	04.156.22	RAM ASSY-D/A 60MM BORE X 645MM	1	
*21	05.290.04	BONDED SEAL 3/8"BSP	2	
*22	01.099.01	ADAPTOR 3/8BSP X1/4BSP	1	
*23	05.990.42	HOSE 1/4"BSP X 3200MM 90XST	1	
*24	05.835.04	ADAPTOR - SWIVEL 90 1/4"BSP MF	1	
*25	03.028.12	RESTRICTOR 3/8BSP X 1/4BSP	1	
*26	05.990.47	HOSE 1/4"BSP X 3700MM 90 X ST	1	
72.096.01		COWL RAM		
*40	03.842.15	RAM ASSY-D/A 50MM BORE X 430MM	1	
40	03.842.16	SEAL KIT (03842 D/A RAMS)	-	
40	05.201.11	TENSION PIN 5MM X 45MM	-	
*41	05.290.04	BONDED SEAL 3/8" BSP	2	
*42	03.028.08	RESTRICTOR 3/8" X 1/4" BSP	2	
*43	05.990.70	HOSE 1/4"BSP X 6000MM 90 X ST	2	
*44	05.835.04	ADAPTOR-SWIVEL 90 1/4" BSP MF	2	

*MAIN PART IN GROUP, RELATED PARTS HAVE SAME REFERENCE NUMBER.

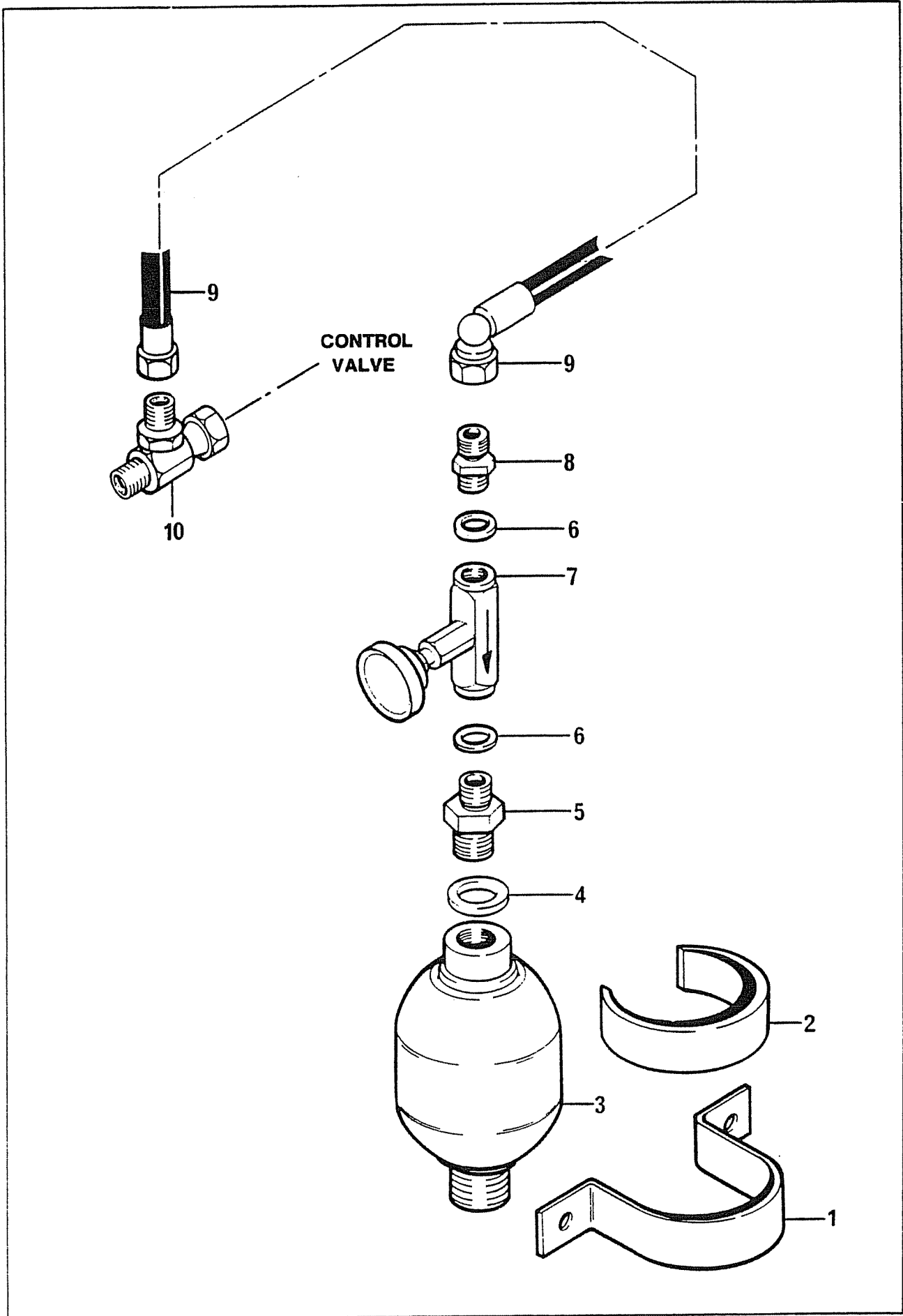


REF	PART NO.	DESCRIPTION	QTY	SERIAL NO. FROM - TO
72.032.01		FIRST RAM		
*01	05.991.18	HOSE 3/8" BSP X 900MM 90 X ST	1	
*02	05.991.12	HOSE 3/8"BSP X 600MM 90 X ST	1	
*03	07.831.01	RAM ASS.Y 70 BORE X 615 STROKE	1	
03	07.831.02	SEAL KIT (FOR 07.831.01)	-	
*04	05.290.04	BONDED SEAL 3/8"BSP	1	
*05	01.099.01	ADAPTOR 3/8BSP X1/4BSP	1	
*06	05.990.32	HOSE 1/4"BSP X 2200MM 90 X ST	1	
*07	04.056.04	TEE ADAPTOR 3/8"X 1/4"X 3/8"	1	
*08	05.290.04	BONDED SEAL 3/8"BSP	3	
*09	03.028.15	RESTRICTOR 3/8 X 3/8BSP 1.7MM	1	
*10	02.714.01	ADAPTOR-SWIVEL ST 3/8BSP M/F	1	
*11	05.176.01	ISOLATOR VALVE ASSY 3/8"BSP	1	
*12	01.099.01	ADAPTOR 3/8BSP X1/4BSP	1	
*13	05.990.30	HOSE 1/4"BSP X 2000 MM STX90	1	
72.087.01		SECOND RAM		
20	04.156.13	SEAL KIT (04156 D/A RAMS)	-	
*20	04.156.22	RAM ASSY-D/A 60MM BORE X 645MM	1	
*21	05.290.04	BONDED SEAL 3/8"BSP	2	
*22	01.099.01	ADAPTOR 3/8BSP X1/4BSP	1	
*23	05.990.42	HOSE 1/4"BSP X 3200MM 90XST	1	
*24	05.835.04	ADAPTOR - SWIVEL 90 1/4"BSP MF	1	
*25	03.028.12	RESTRICTOR 3/8BSP X 1/4BSP	1	
*26	05.990.47	HOSE 1/4"BSP X 3700MM 90 X ST	1	
72.096.01		COWL RAM		
*40	03.842.15	RAM ASSY-D/A 50 BORE X 430MM	1	
40	03.842.16	SEAL KIT (03842 D/A RAMS)	-	
40	05.201.11	TENSION PIN 5MM X 45MM	-	
*41	05.290.04	BONDED SEAL 3/8"BSP	2	
*42	03.028.08	RESTRICTOR 3/8BSP X 1/4BSP	2	
*43	05.990.70	HOSE 1/4"BSP X 6000MM 90XST	2	
*44	05.835.04	ADAPTOR - SWIVEL 90 1/4"BSP MF	2	

*MAIN PART IN GROUP. RELATED PARTS HAVE SAME REFERENCE NUMBER.

REF	PART NO.	DESCRIPTION	QTY	SERIAL NO. FROM - TO
72.081.01, 72.082.01		DECALS		
*01	08.043.03	DECAL - BOMFORD B577 LH	1	
01	08.043.04	DECAL - BOMFORD B577 RH	1	
*02	08.039.03	DECAL - STRIPE FIRST ARM LH	1	
02	08.039.04	DECAL - STRIPE FIRST ARM RH	1	
*03	08.044.03	DECAL - STRIPE SECOND ARM LH	1	
03	08.044.04	DECAL - STRIPE SECOND ARM RH	1	
*04	02.737.06	DECAL SET - ENGLISH (SMALL)	1	
*05	02.783.03	DECAL-APPROVED OILS	1	
*06	06.007.04	DECAL-WEIGHT 750KG	1	
*07	02.948.01	DECAL - LIFTING POINT INST	1	
*08	02.950.01	DECAL - LIFTING POINT	2	
*09	03.785.01	DECAL-GREASE	4	

*MAIN PART IN GROUP, RELATED PARTS HAVE SAME REFERENCE NUMBER.



REF	PART NO.	DESCRIPTION	QTY	SERIAL NO. FROM - TO
72.035.01		ACCUMULATOR KIT		
*01	00.858.01	CLAMP - HYDRA-CUSHION	1	
01	05.264.13	SETSCREW M10 X 30MM PLATED	2	
01	05.282.02	SPRING WASHER 10MM PLATED	2	
01	05.286.02	NUT M10 PLATED	2	
*02	06.862.01	PACKER-ACCUMULATOR	1	
*03	06.861.01	ACCUMULATOR 0.7 LTR (30 BAR)	1	
*04	05.290.05	BONDED SEAL 1/2"BSP	1	
*05	05.123.01	ADAPTOR 1/2" BSP X 3/8" BSP	1	
*06	05.290.04	BONDED SEAL 3/8"BSP	2	
*07	05.176.01	ISOLATOR VALVE ASSY 3/8"BSP	1	
*08	01.099.01	ADAPTOR 3/8BSP X1/4BSP	1	
*09	05.990.12	HOSE 1/4"BSP X 600MM 90XST	1	
*10	04.056.10	ADAPTOR - TEE 1/4"BSP F/M/M	1	

*MAIN PART IN GROUP, RELATED PARTS HAVE SAME REFERENCE NUMBER.