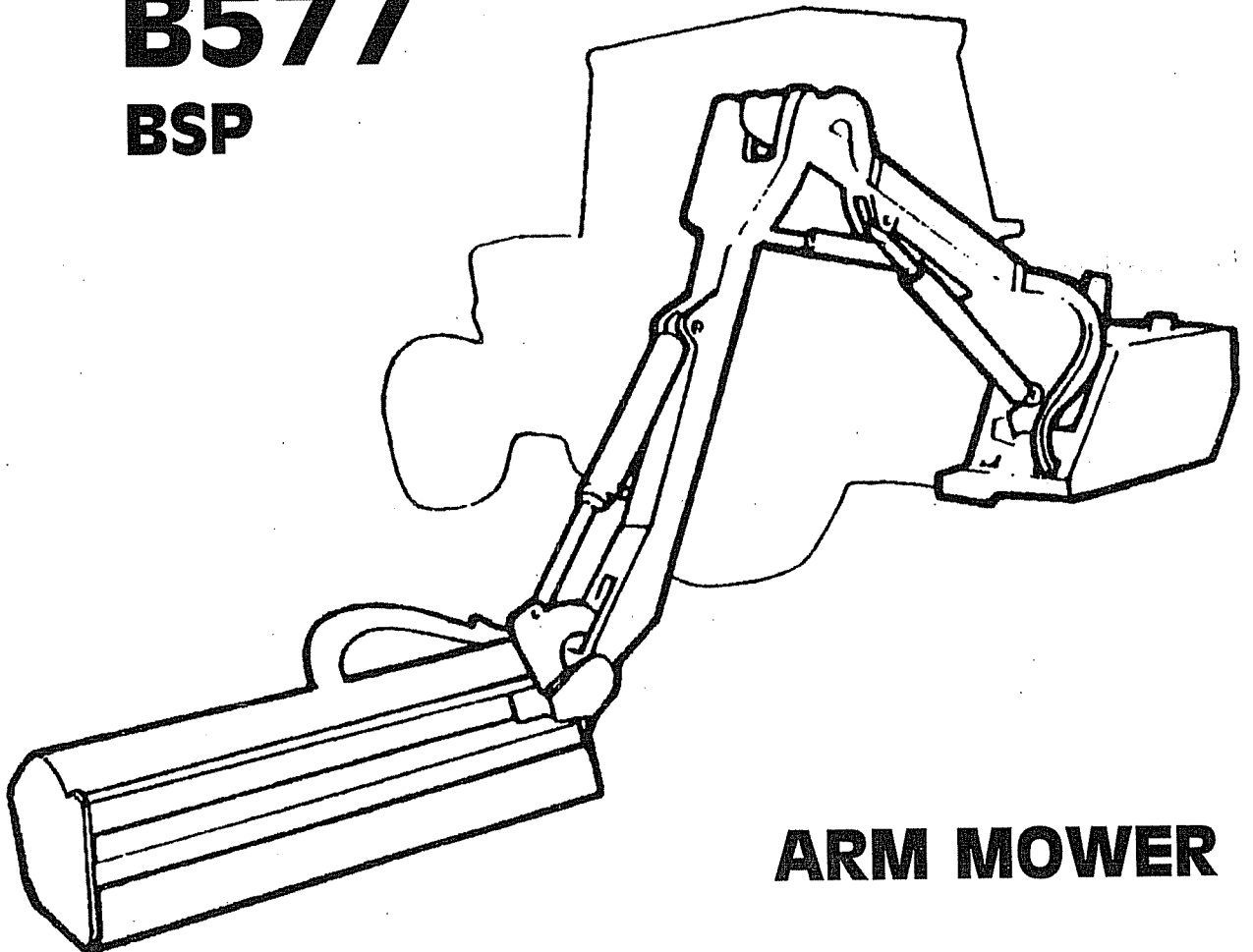


ISSUE 6

PUBLICATION NO. 1722

**B577**

**BSP**



**ARM MOWER**

**B577 BSP ARM MOWER**

NOTE: PAGE ILLUSTRATION NUMBERS SHOWN ARE USED ONLY FOR REFERENCE PURPOSES AND SHOULD NOT BE USED FOR ORDERING SPARE PARTS.

PLEASE ENSURE THE CORRECT PART NUMBER AND DESCRIPTION IS GIVEN WHEN ORDERING SPARE PARTS.

FOR MACHINES WITH SERIAL NUMBERS COMMENCING FROM: . . . . 3902F/95 . . .

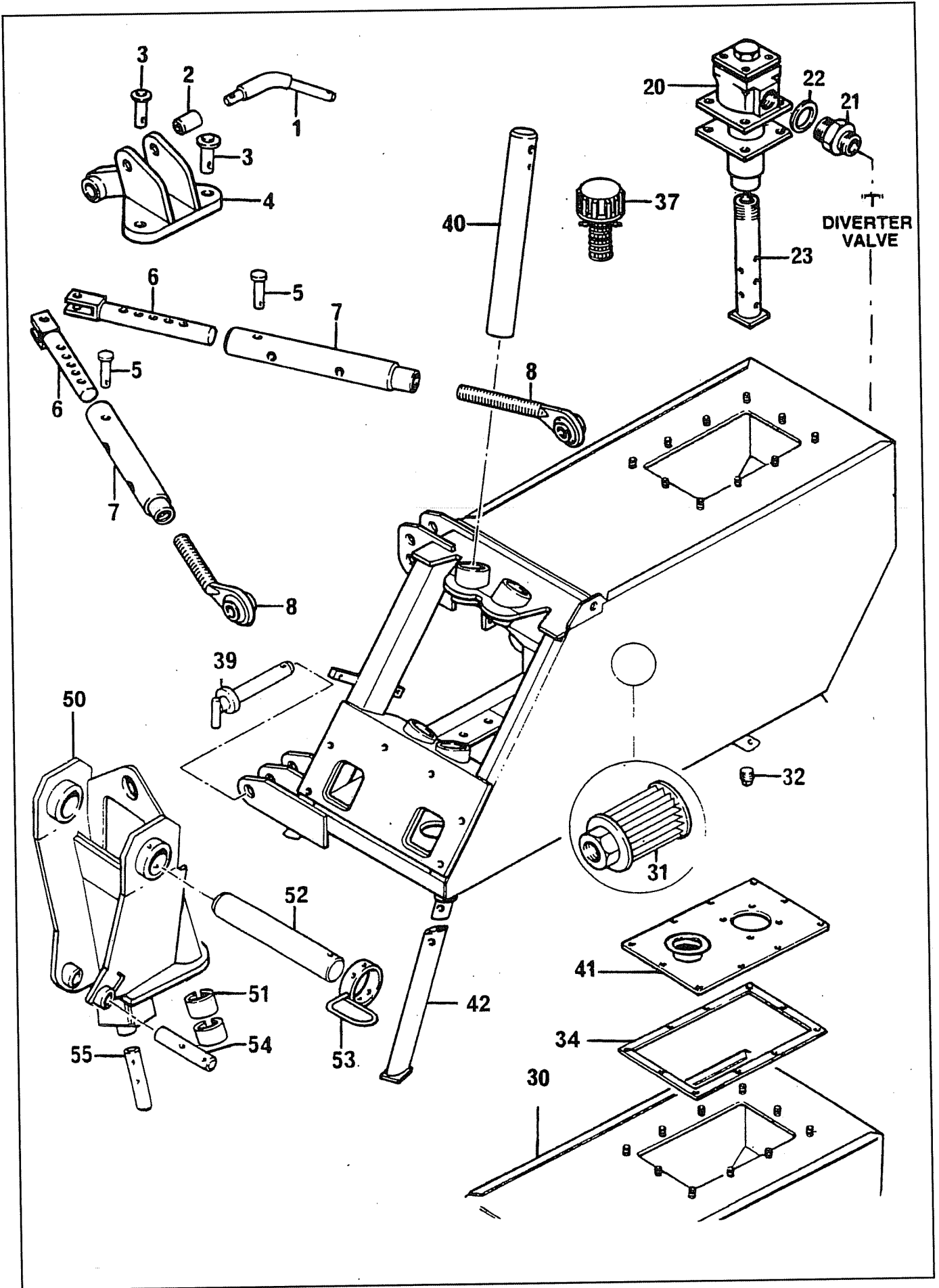
PAGE NO	TITLE
2-1 TO 2-3	3 POINT LINKAGE FILTER ASSEMBLY MAINFRAME KINGPOST
3-1 TO 3-3	FIRST ARM SECOND ARM COWL BRACKET
4-1 TO 4-2	DISC SPRING BREAKOUT
5-1 TO 5-3	PTO/GEARBOX ASSEMBLY PUMPS ASSEMBLY PUMP CIRCUITS
6-1 TO 6-2 6-3 TO 6-4	CONTROL VALVE ASSEMBLY - CABLE PROPORTIONAL CONTROL - 3 SERVICE
7-1 TO 7-2 7-3 TO 7-4	REMOTE CONTROL ASSEMBLY - CABLE REMOTE CONTROL PROPORTIONAL - 3 SERVICE
8-1 TO 8-2	RAM CIRCUIT - CABLE CONTROL
9-1 TO 9-2	ACCUMULATOR KIT
10-1 TO 10-6	DECALS

## IMPORTANT

THIS MACHINE IS FOR VEGETATION CONTROL AND  
MUST NOT BE USED FOR ANY OTHER PURPOSE

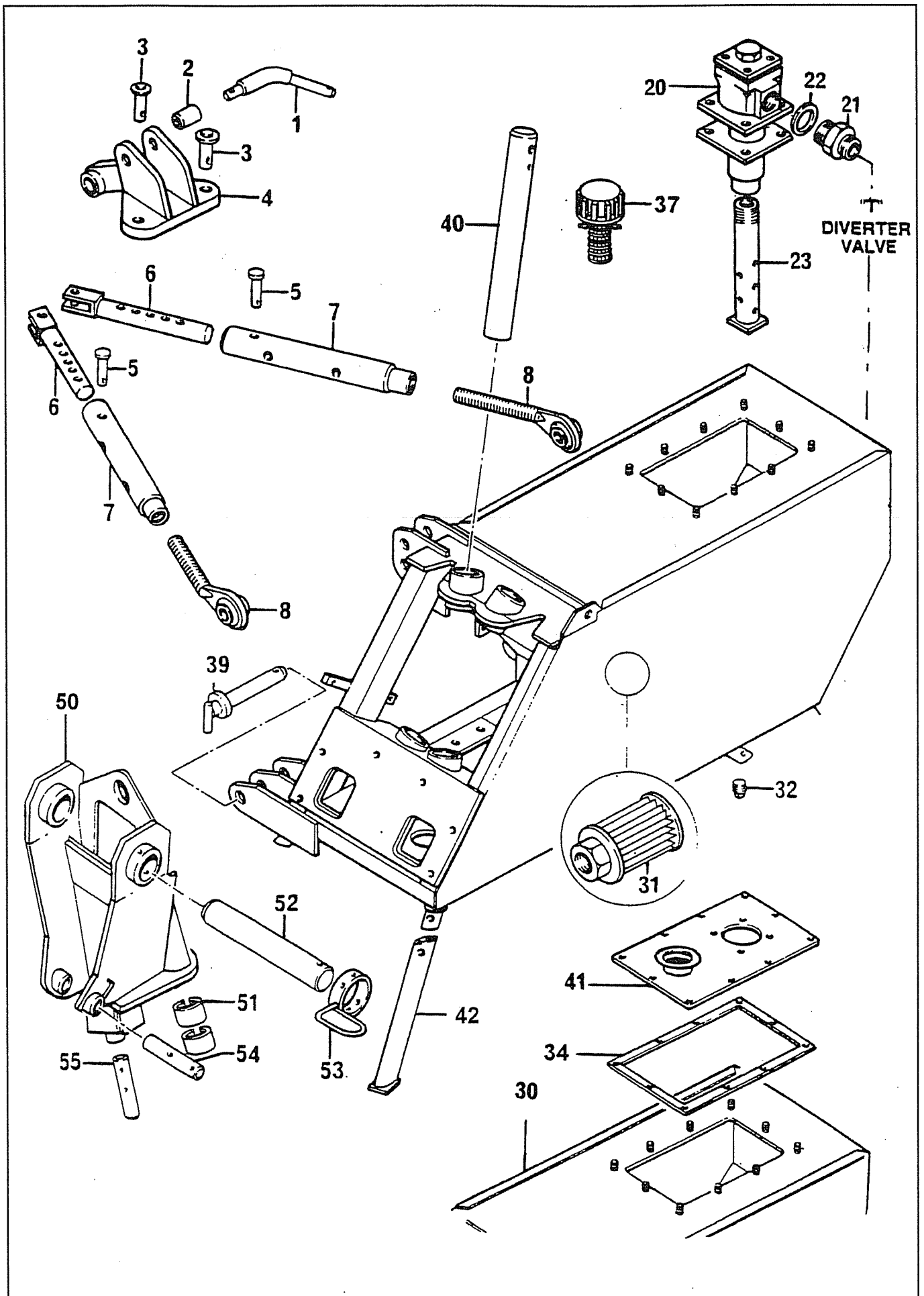
IT IS POTENTIALLY HAZARDOUS TO FIT OR USE  
ANY PARTS OTHER THAN GENUINE BOMFORD TURNER PARTS

THE COMPANY DISCLAIMS ALL LIABILITY FOR THE  
CONSEQUENCES OF SUCH USE, WHICH IN ADDITION  
VOIDS THE MACHINE WARRANTY



REF	PART NO.	DESCRIPTION	QTY
<b>72.085.01 3 PT LINKAGE KIT SCREW ADJ3304</b>			
01	00.372.01	LINCH PIN	1
*01	02.068.01	PIN 3/4"DIA X 1" X 248MM	1
*02	03.872.02	SPACER 25 O/D X 19.5 I/D X 50	1
*03	03.652.12	PIN DIA 20 X 65 LG	2
03	05.201.11	TENSION PIN 5MM X 45MM	2
03	05.281.05	FLAT WASHER 20MM	2
*04	07.740.01	UPPER HITCH JOINT - A-FRAME	1
05	05.964.01	SPRING COTTER 3.6MM DIA	2
*05	07.737.01	PIN - A-FRAME ADJUSTMENT	2
*06	07.739.01	INNER ROD - A-FRAME	2
*07	07.738.01	OUTER TUBE - A-FRAME	2
*08	07.731.01	BALL END - A-FRAME	2
09	07.584.01	TOP LINK - STANDARD DUTY	1
<b>72.089.01 FILTER ASSEMBLY</b>			
*20	03.824.05	FILTER ASSY (110 LITRE)	1
20	03.824.07	FILTER ELEMENT (110 LITRE)	0
20	05.282.07	SPRING WASHER 6MM PLATED	4
20	05.839.04	SETSCREW M6 X 30MM PLATED	4
*21	05.290.07	BONDED SEAL 1"BSP	1
*22	05.434.01	ADAPTOR 1"BSP X 1"	1
*23	03.825.01	PIPE - FILTER	1

\*MAIN PART IN GROUP, RELATED PARTS HAVE SAME REFERENCE NUMBER

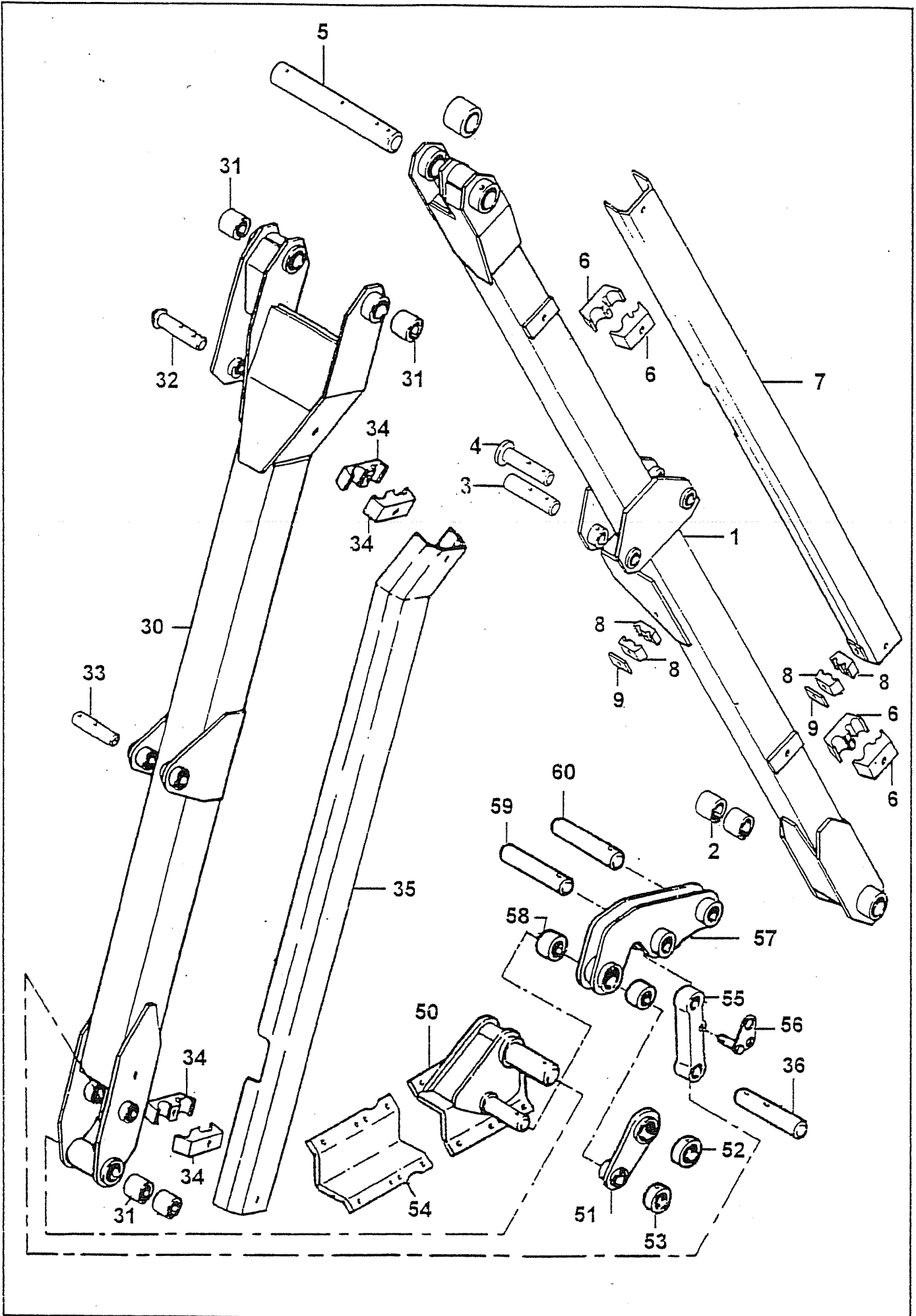


REF	PART NO.	DESCRIPTION	QTY
<b>72.044.03 MAINFRAME</b>			
*30	07.948.03	MAINFRAME LH	1
30	07.948.03	MAINFRAME RH	1
30	02.717.02	PLUG PLASTIC 50MM	2
30	05.227.01	HAMMER DRIVE SCREW NO.6 X 3/8"	2
30	05.264.32	SETSCREW M16 X 25MM PLATED	6
30	05.281.01	FLAT WASHER 8MM PLATED	10
30	05.281.04	FLAT WASHER 16MM PLATED	0
30	05.282.03	SPRING WASHER 12MM PLATED	2
30	05.282.04	SPRING WASHER 16MM PLATED	6
30	05.286.01	NUT M8 PLATED	10
30	05.286.03	NUT M12 PLATED	3
30	05.292.23	BOLT M12 X 100MM PLATED	1
30	05.292.25	BOLT M12 X 120MM PLATED	1
30	05.774.06	SERIAL NO.Plate BOMFORD TURNER	1
*31	05.367.02	FILTER - SUCTION	1
*32	05.495.01	PLUG 1/2"BSPT	0
*34	08.605.01	GASKET	1
*37	06.966.02	FILLER BREATHER CAP & STRAINER	2
*39	07.574.01	PIN - 1.1/8" X 172MM	4
39	00.372.01	LINCH PIN	2
*40	03.657.22	PIN - 50 DIA X 555	1
40	05.282.03	SPRING WASHER 12MM PLATED	1
40	05.286.03	NUT M12 PLATED	1
40	05.292.22	BOLT M12 X 90MM PLATED	1
*41	09.855.01	PLATE- TANK TOP	4
42	07.921.01	STAND	2
<b>72.084.02 BRACKET - KINGPOST</b>			
50	03.786.02	INSTRUCTION PLATE-GREASE M10	1
50	05.953.04	GREASE NIPPLE M10 90 DEG	1
*50	09.511.01	BRACKET - KINGPOST LH	1
50	09.511.02	BRACKET - KINGPOST RH	1
*51	02.771.02	TENSION BUSH 55 X 50 X 50	2
*52	03.657.21	PIN 50 DIA X 340	1
52	05.282.03	SPRING WASHER 12MM PLATED	1
52	05.286.03	NUT M12 PLATED	1
52	05.292.24	BOLT M12 X 110MM PLATED	1
*53	07.943.01	BRACKET - HOSE GUIDE	1
*54	03.654.44	PIN 30 DIA X 160	1
54	03.786.01	INSTRUCTION PLATE-GREASE M6	1
54	05.201.07	TENSION PIN 8MM X 45MM PLATED	1
54	05.953.01	GREASE NIPPLE M6	1
*55	03.653.41	PIN - 25 DIA X 154	1
55	03.786.01	INSTRUCTION PLATE-GREASE M6	1
55	05.201.07	TENSION PIN 8MM X 45MM PLATED	1
55	05.953.01	GREASE NIPPLE M6	1

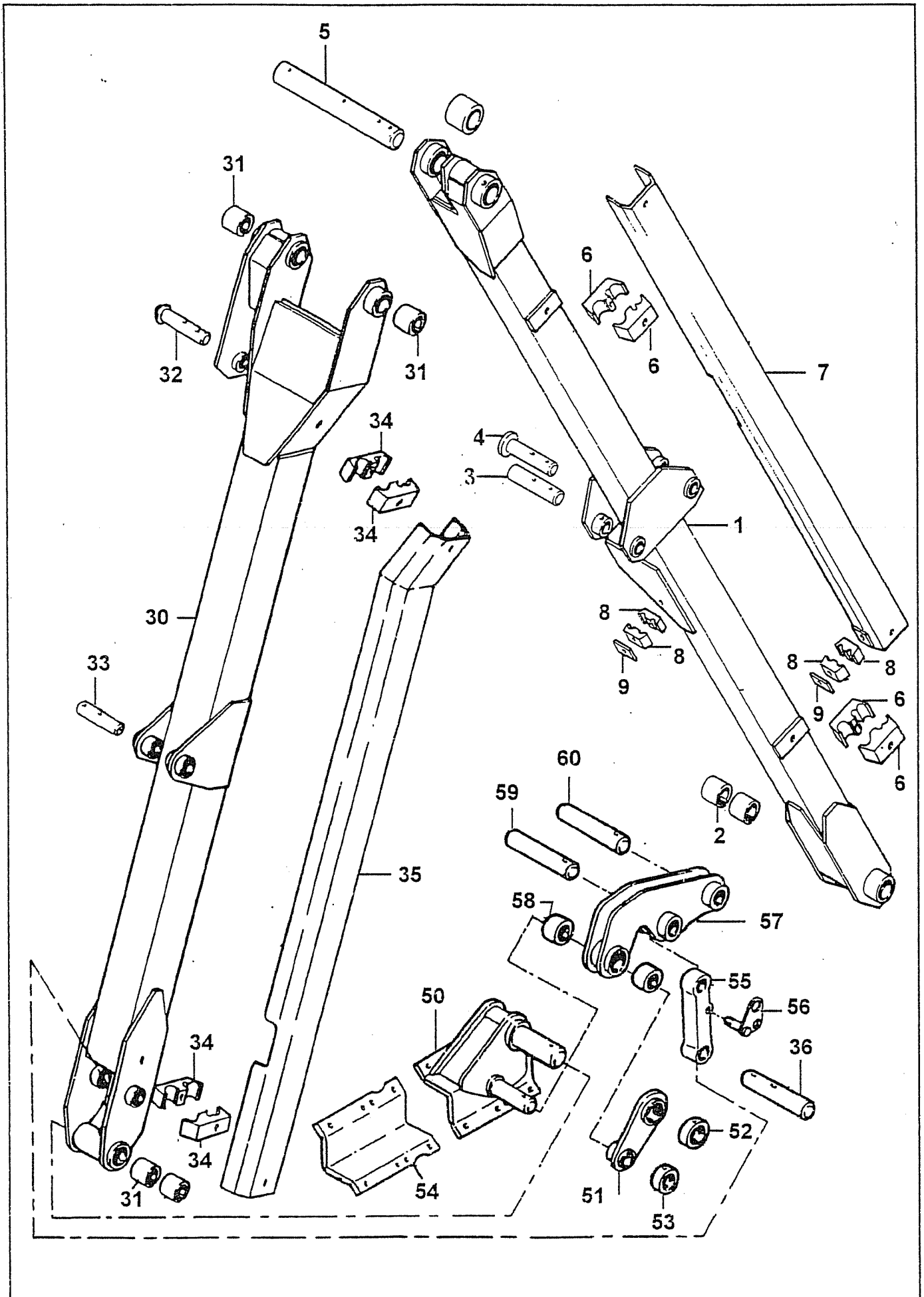
\*MAIN PART IN GROUP, RELATED PARTS HAVE SAME REFERENCE NUMBER

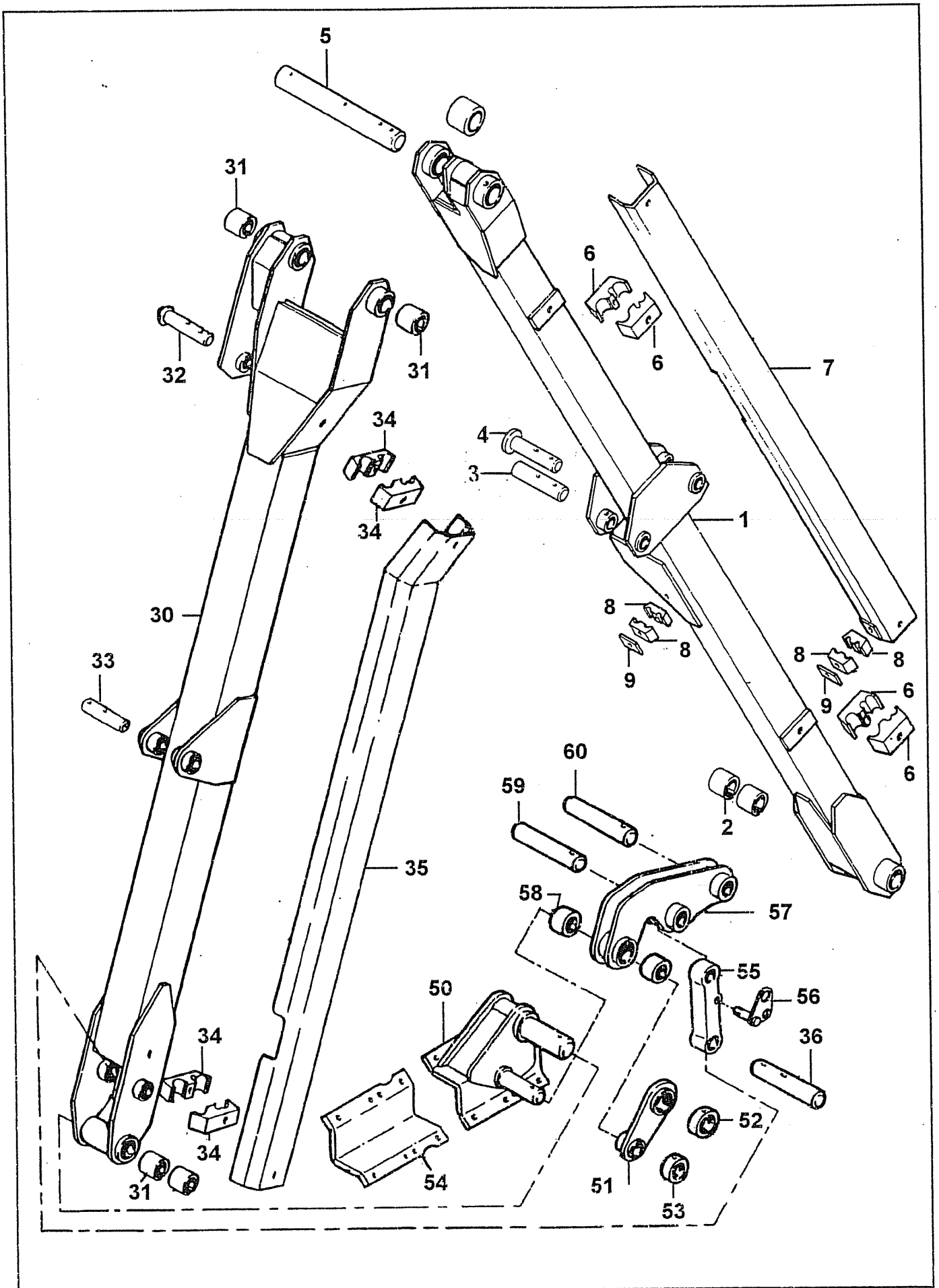
REF	PART NO.	DESCRIPTION	QTY
<b>72.031.03 ARM - FIRST</b>			
01	03.786.02	INSTRUCTION PLATE-GREASE M10	1
01	05.953.04	GREASE NIPPLE M10 90 DEG	1
*01	09.455.01	ARM - FIRST	1
*02	08.297.01	BUSH - PLASTIC 60 X 50 X 50	2
*03	03.654.43	PIN 30 DIA X 140	1
03	03.786.01	INSTRUCTION PLATE-GREASE M6	1
03	05.201.07	TENSION PIN 8MM X 45MM PLATED	1
03	05.953.01	GREASE NIPPLE M6	1
*04	03.653.31	PIN 25 DIA X 120	1
04	03.786.01	INSTRUCTION PLATE-GREASE M6	1
04	05.201.07	TENSION PIN 8MM X 45MM PLATED	1
04	05.953.01	GREASE NIPPLE M6	1
05	03.068.01	SPECIAL SETSCREW M12 X 25	2
*05	03.656.39	PIN - 40 DIA X 374	1
05	03.786.01	INSTRUCTION PLATE-GREASE M6	2
05	05.282.02	SPRING WASHER 10MM PLATED	1
05	05.282.03	SPRING WASHER 12MM PLATED	2
05	05.286.02	NUT M10 PLATED	1
05	05.292.11	BOLT M10 X 80MM PLATED	1
05	05.953.01	GREASE NIPPLE M6	2
05	07.942.01	WASHER - M12 SPECIAL	2
06	04.282.09	STUD M10 X 85MM	2
06	05.281.02	FLAT WASHER 10MM PLATED FORM C	2
06	05.282.02	SPRING WASHER 10MM PLATED	2
06	05.286.02	NUT M10 PLATED	2
*06	06.430.10	CLAMP HOSE	4
*07	41770.01	COVER - FIRST ARM - 5.6M	1
08	04.282.66	STUD - M10 X 56	2
08	05.281.02	FLAT WASHER 10MM PLATED FORM C	2
08	05.282.02	SPRING WASHER 10MM PLATED	2
08	05.286.02	NUT M10 PLATED	2
*08	06.430.02	CLAMP HOSE 14 X 14	4
*09	06.418.06	CLAMP PLATE 48 X 6	1
10	04.282.32	STUD M8 X 52	1
10	05.281.01	FLAT WASHER 8MM PLATED	1
10	05.282.01	SPRING WASHER 8MM PLATED	1
10	05.286.01	NUT M8 PLATED	1
*11	06.418.02	CLAMP PLATE 30 X 6 PLATED	1

\*MAIN PART IN GROUP, RELATED PARTS HAVE SAME REFERENCE NUMBER







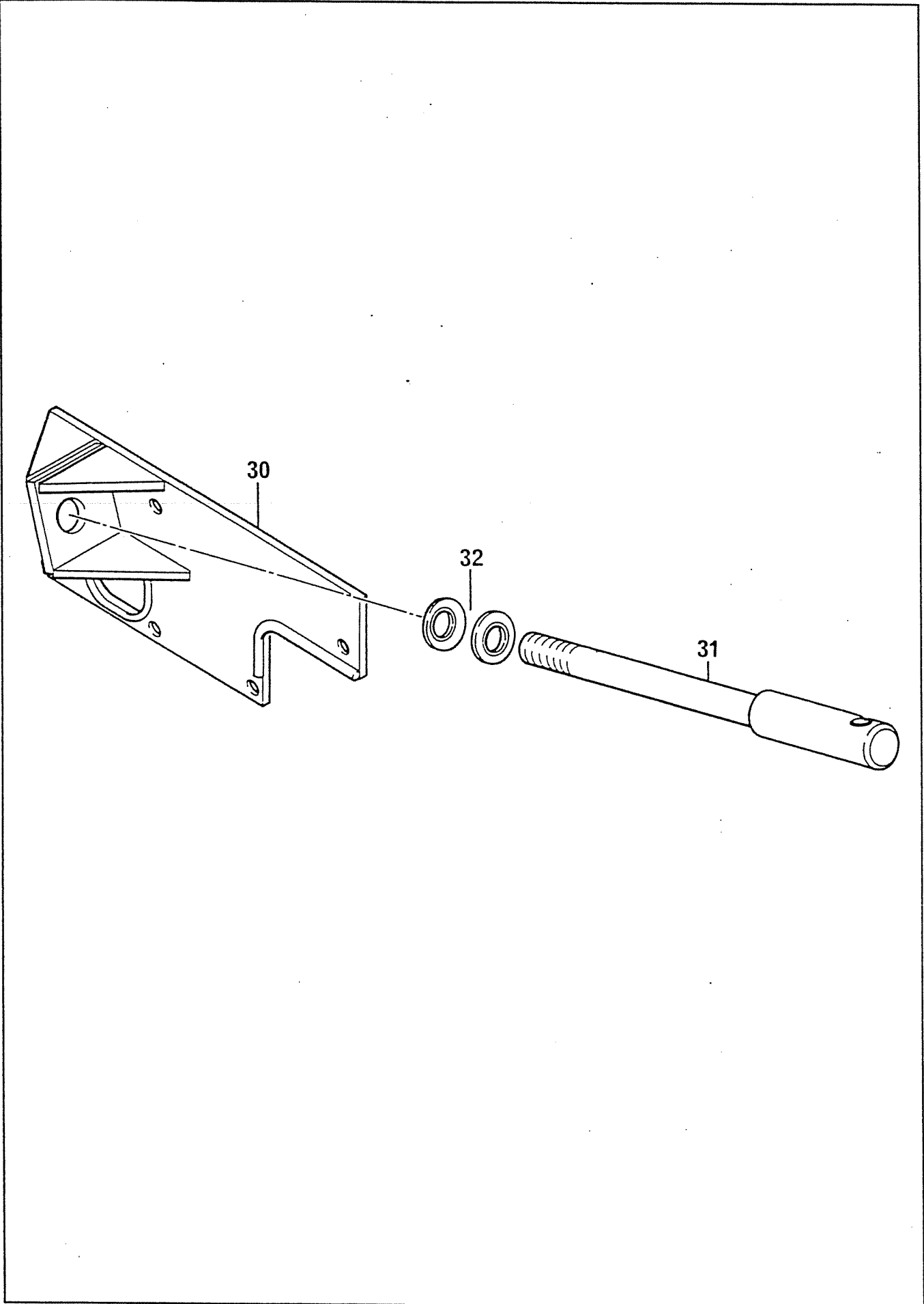


REF	PART NO.	DESCRIPTION	QTY
<b>76.136.01 ARM - SECOND</b>			
30	03.786.02	INSTRUCTION PLATE-GREASE M10	1
30	05.953.04	GREASE NIPPLE M10 90 DEG	1
*30	41462.01	ARM - SECOND LH	1
30	41462.02	ARM - SECOND RH	1
*31	08.297.02	BUSH - PLASTIC 47 X 40 X 40	5
*32	03.653.39	PIN 25 DIA X 128	1
32	03.786.01	INSTRUCTION PLATE-GREASE M6	1
32	05.201.07	TENSION PIN 8MM X 45MM PLATED	1
32	05.953.01	GREASE NIPPLE M6	1
33	03.653.58	PIN - DIA 25 X 138	1
33	05.201.07	TENSION PIN 8MM X 45MM PLATED	1
34	04.282.09	STUD M10 X 85MM	2
34	05.281.02	FLAT WASHER 10MM PLATED FORM C	2
34	05.282.02	SPRING WASHER 10MM PLATED	2
34	05.286.02	NUT M10 PLATED	2
*34	06.430.10	CLAMP HOSE	4
*35	41465.01	GUARD - HOSE SECOND ARM	1
36	03.654.60	PIN - DIA 30 X 164	1
36	05.201.07	TENSION PIN 8MM X 45MM PLATED	1

\*MAIN PART IN GROUP, RELATED PARTS HAVE SAME REFERENCE NUMBER

REF	PART NO.	DESCRIPTION	QTY
<b>72.823.01 COWL BRKT AND LINKAGE</b>			
*50	09.784.01	BRACKET - COWL LH	1
50	09.784.02	BRACKET - COWL RH	1
*51	09.783.01	BRACKET - SUPPORT	1
*52	03.837.01	SPACER 55 X 40.5 X 20 PLATED	1
52	05.282.02	SPRING WASHER 10MM PLATED	1
52	05.287.02	SELF-LOCKING NUT M10 PLATED	1
52	05.291.19	BOLT M10 X 70MM PLATED	1
53	05.287.02	SELF-LOCKING NUT M10 PLATED	1
53	05.291.18	BOLT M10 X 65 PLATED	1
*53	09.795.01	COLLAR - 35 X 20 (ZINC PLATED)	1
54	05.264.25	SETSCREW M12 X 40MM PLATED	6
54	05.282.03	SPRING WASHER 12MM PLATED	6
54	05.286.03	NUT M12 PLATED	6
*54	07.947.01	CLAMP - COWL BRACKET	1
55	03.786.01	INSTRUCTION PLATE-GREASE M6	2
55	05.953.01	GREASE NIPPLE M6	1
55	05.953.05	GREASE NIPPLE M6 X 90DEG	1
*55	09.786.01	LINK	1
56	05.282.04	SPRING WASHER 16MM PLATED	1
56	05.286.04	NUT M16 PLATED	1
*56	09.794.01	BRACKET - HOSE LH	1
56	09.794.02	BRACKET - HOSE RH	1
57	03.786.02	INSTRUCTION PLATE-GREASE M10	1
57	05.953.03	GREASE NIPPLE M10	1
*57	09.785.01	BRACKET - COWL LINK	1
*58	08.297.05	PLASTIC BUSH - 42 X 35 - 30	2
*59	03.654.59	PIN - DIA 30 X 128	1
59	05.201.07	TENSION PIN 8MM X 45MM PLATED	1
60	03.653.59	PIN - DIA 25 X 128	1
*60	05.201.07	TENSION PIN 8MM X 45MM PLATED	1

\*MAIN PART IN GROUP, RELATED PARTS HAVE SAME REFERENCE NUMBER

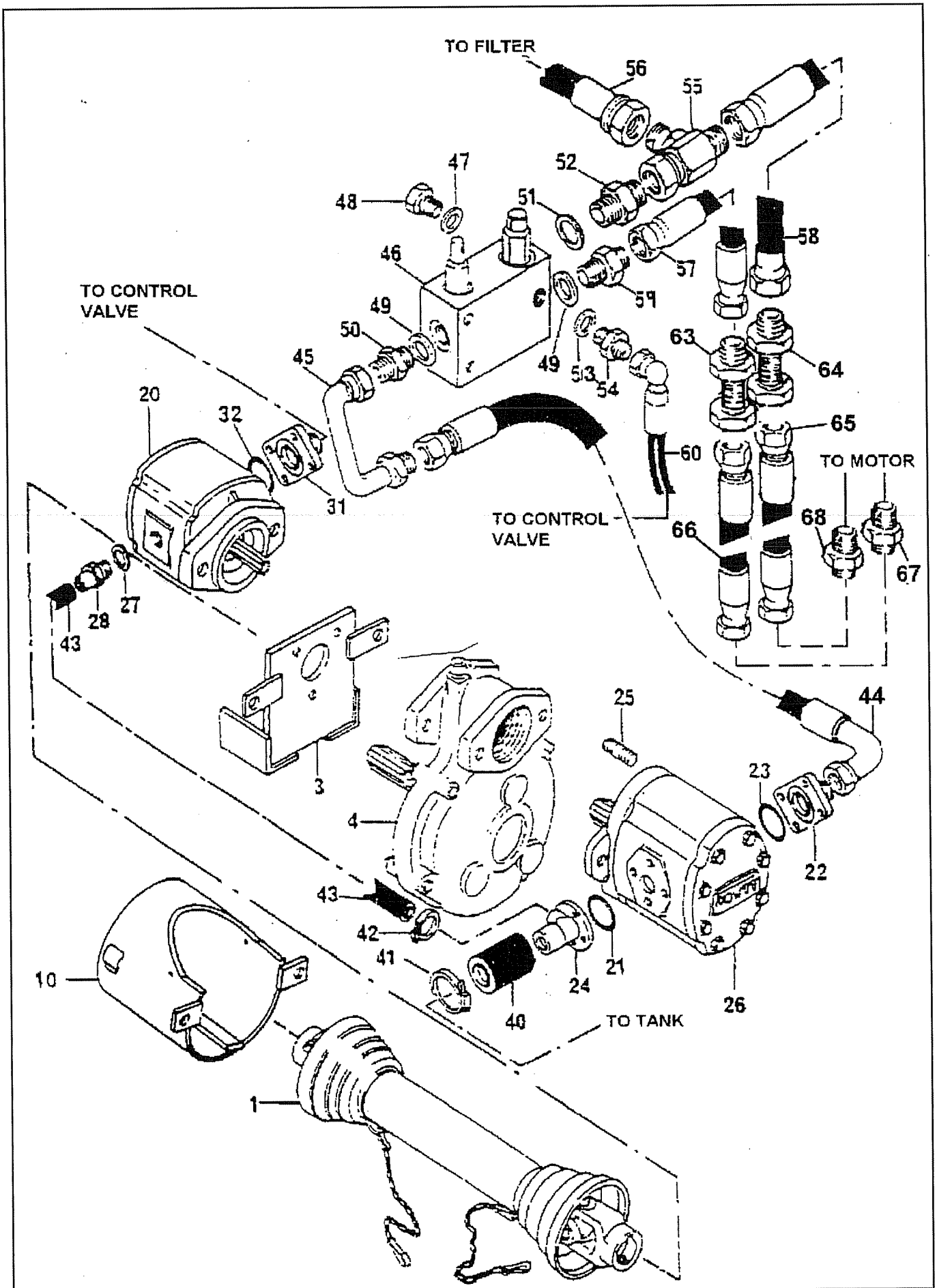


---

REF	PART NO.	DESCRIPTION	QTY
<b>72.100.01 BREAKOUT - DISC SPRING</b>			
*30	08.195.01	BRACKET-SPRING BREAKOUT LH	1
30	08.195.02	BRACKET-SPRING BREAKOUT RH	1
*31	08.196.01	ROD - SPRING BREAKOUT	1
*32	30.214.47	DISC SPRING(60 X 30.5 X 3)	63
33	05.281.18	FLAT WASHER 30MM - PLATED	1
34	05.287.07	SELF-LOCKING NUT M30	1

\*MAIN PART IN GROUP, RELATED PARTS HAVE SAME REFERENCE NUMBER

# GEARBOX, PUMP

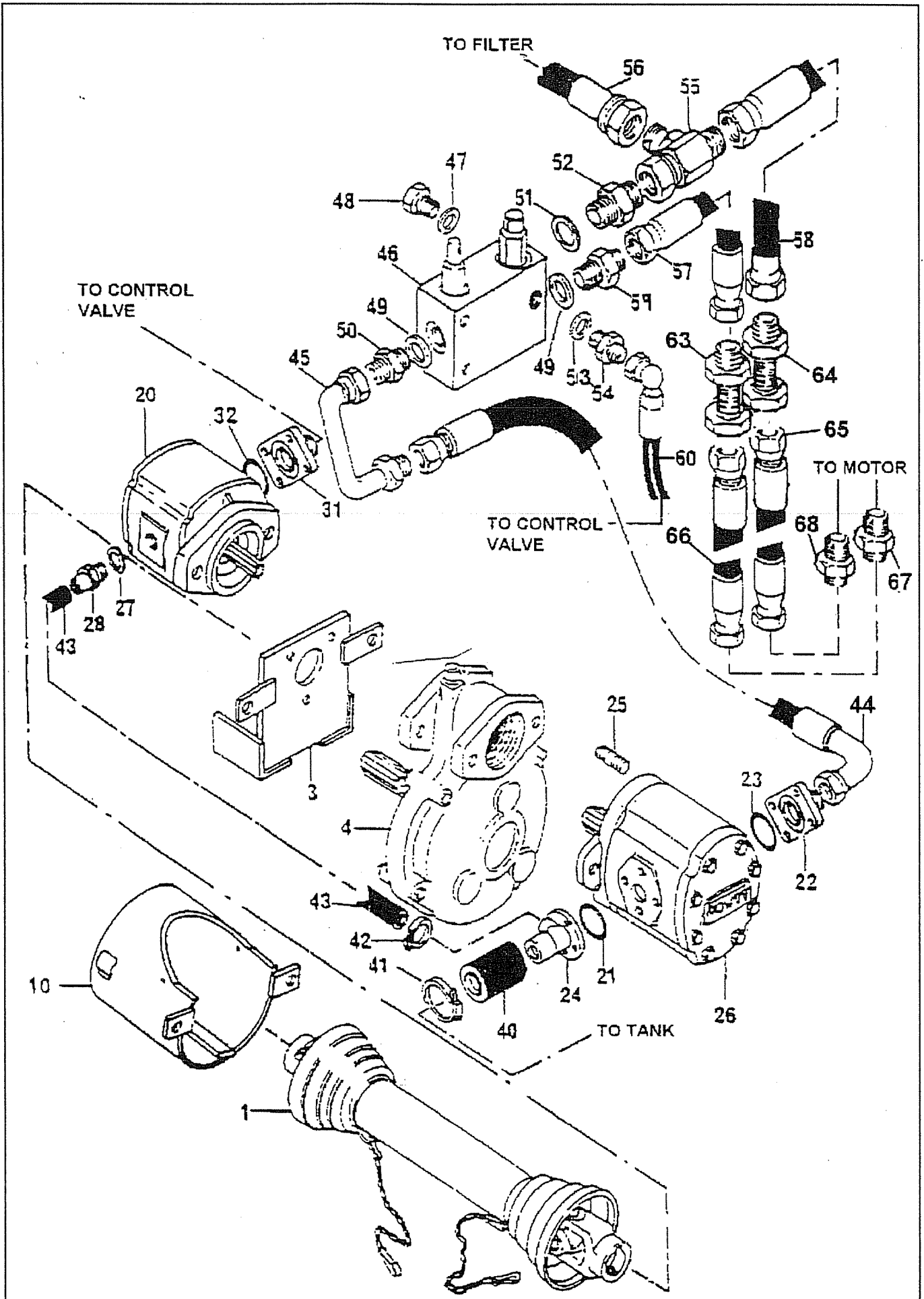


REF	PART NO.	DESCRIPTION	QTY
<b>72.908.01 PUMP/GEARBOX</b>			
*01	41623.02	PTO SHAFT ASSY 610 C/C	1
01	41623.31	JOURNAL KIT	-
01	41623.33	PTO GUARD ASSY	-
*03	09.889.01	BRACKET GEARBOX	1
03	05.264.24	BOLT M12 X 55MM	4
03	05.287.03	NUT M12 S/LOCK	4
04	04.174.01	STUD M12 X 38MM	3
04	05.968.03	NUT M12 FINE	3
*04	09.828.01	GEARBOX ASSY - ESII	1
10	05.264.02	SETSCREW M8 X 25MM PLATED	2
10	05.282.01	SPRING WASHER 8MM PLATED	2
10	05.286.01	NUT M8 PLATED	2
*10	06.170.01	GUARD - PTO	1
23	05.656.03	"O"RING 25 I/D X 3.53	1
*20	09.537.01	GEAR PUMP - ULTRA 1PX070	1
21	05.656.01	"O"RING 28 I/D X 2.5	1
22	03.864.01	ADAPTOR-FLANGED 3/4"BSP PLATED	1
24	05.657.01	SCKT CAPSCRW 5/16"UNCX7/8" PLT	12
*24	06.251.01	ADAPTOR-INLET PLATED	1
*25	03.100.01	STUD M10 X 34MM	4
25	05.282.02	SPRING WASHER 10MM PLATED	2
25	05.286.02	M10 NUT	4
26	05.650.03	PUMP2PL146 SPLINE SHAFT	1
27	05.290.05	BONDED SEAL 1/2"BSP	1
28	04.244.01	ADAPTOR 1/2"BSP X 3/4"O/D	1
31	09.745.01	ADAPTOR-FLANGE 3/8"BSP PLATED	1
32	30.210.92	O RING 200-121-4490	1

\*MAIN PART IN GROUP, RELATED PARTS HAVE SAME REFERENCE NUMBER

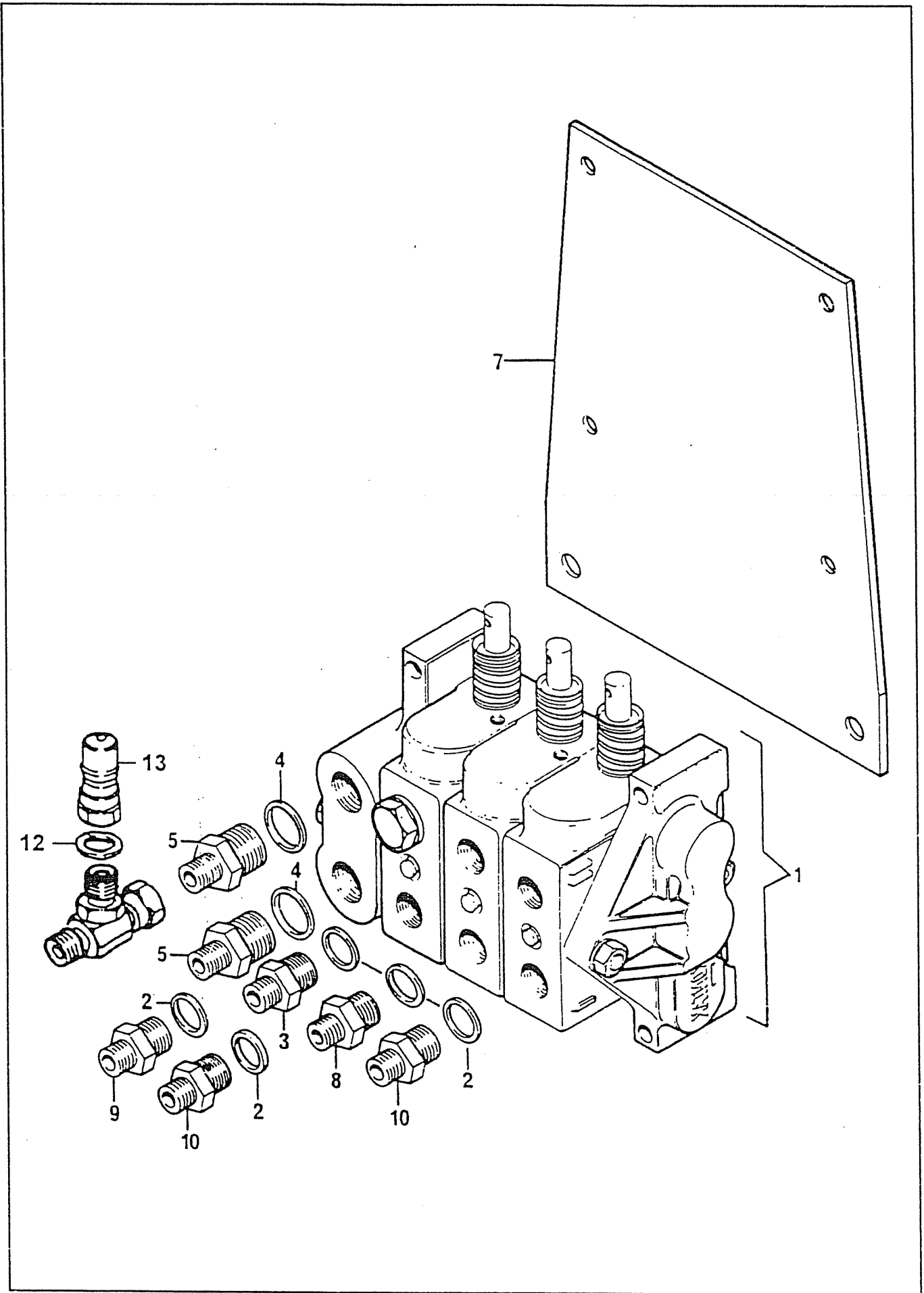


# GEARBOX, PUMP



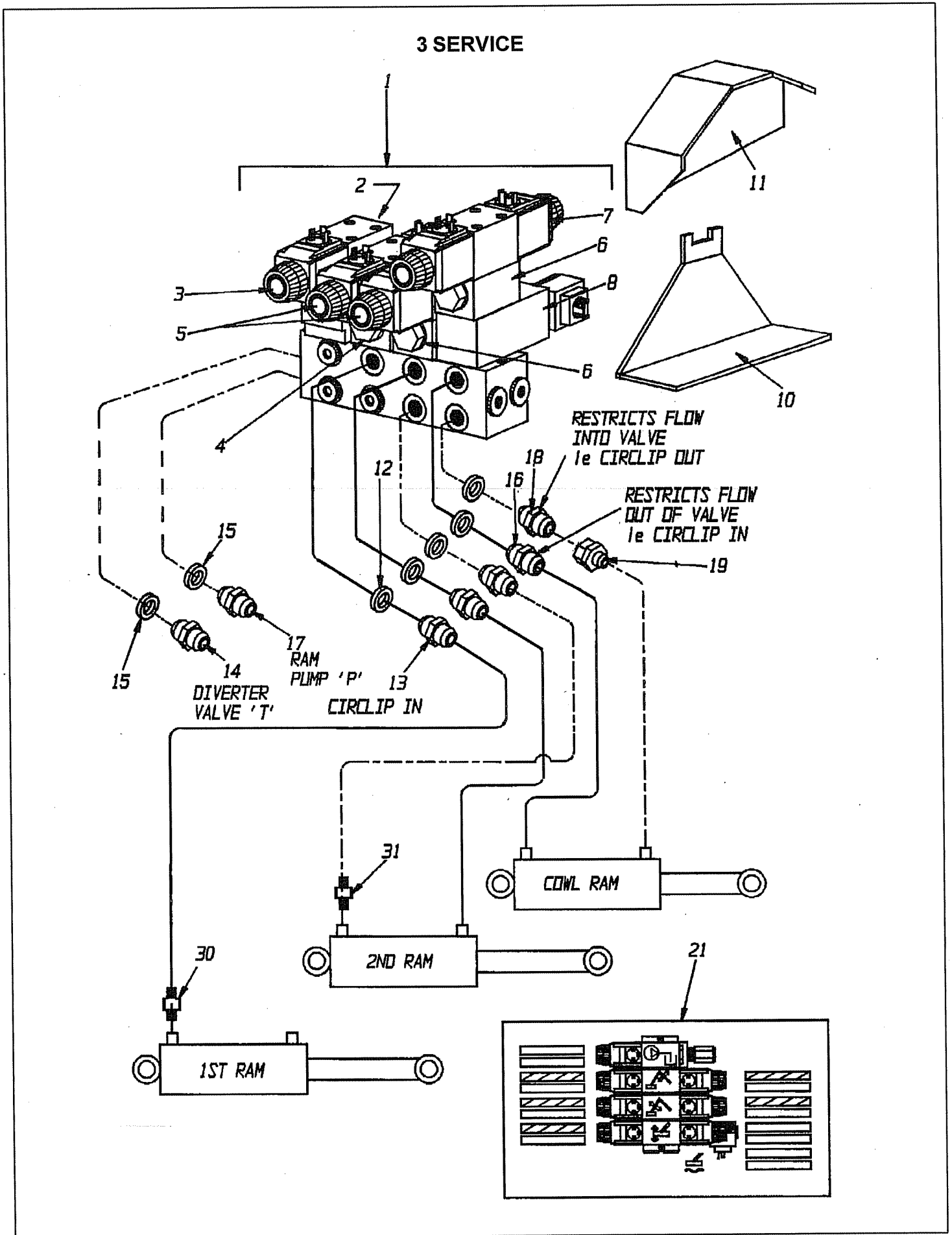
REF	PART NO.	DESCRIPTION	QTY
<b>76.249.01 PUMP CIRCUIT</b>			
40	06.288.01	HOSE 1.1/2" BORE X 120MM	1
41	05.863.02	JUBILEE CLIP 2"DIA	2
42	05.863.03	JUBILEE CLIP 20-32 DIA	2
43	05.983.09	HOSE 3/4" BORE X 650MM PLAIN	1
44	10.010.22	HOSE 3/4"BSP ST X 90 S.SEAL 1200	1
45	06.459.03	PIPE RIGID 3/4"BSP M/F	1
46	05.281.01	FLAT WASHER 8MM PLATED	2
46	05.625.11	SKT CAPSCRW 1/4UNC X 5/8 PLATED	2
46	05.282.01	SPRING WASHER 8MM PLATED	2
46	05.291.07	BOLT M8 X 60MM PLATED	2
46	06.284.02	SEAL KIT FOR (06.284.01) VALVE	-
46	06.284.18	RELIEF CARTRIDGE - 180 BAR	-
*46	06.284.19	DIVERTER/RELIEF VALVE - 180 BAR	1
47	05.117.01	COPPER WASHER 3/8" BSP	1
48	05.433.01	PLUG 3/8"BSP PLATED	1
49	05.290.06	BONDED SEAL 3/4"BSP	2
50	05.377.01	ADAPTOR 3/4"BSP X 3/4"BSP	2
51	05.290.07	BONDED SEAL 1"BSP	1
52	05.434.01	ADAPTOR 1"BSP X 1"BSP	1
53	05.290.04	BONDED SEAL 3/8"BSP	1
54	05.124.01	ADAPTOR 3/8" BSP X 3/8" BSP	1
55	04.056.02	ADAPTOR-SWIVEL TEE 1"BSP F/M/M	1
56	10.012.10	HOSE 1"BSP ST X 90 S.SEAL 500	1
57	10.010.79	HOSE 3/4"BSP ST/90 S.SEAL 6900	1
58	10.012.81	HOSE 1"BSP ST/90 S.SEAL 7100	1
59	05.373.01	ADAPTOR 3/4"BSP X 1"BSP	1
60	10.004.14	HOSE 3/8"BSP ST X 90 S.SEAL 700	1
*61	04.282.09	STUD M10 X 85MM	1
61	05.281.02	FLAT WASHER 10MM PLATED FORM C	1
61	05.282.02	SPRING WASHER 10MM PLATED	1
61	05.286.02	NUT M10 PLATED	1
61	06.430.10	CLAMP HOSE	2
62	06.418.05	CLAMP PLATE 95 X 6	1
63	08.128.08	ADPR BULKHD 3/4"BSP C/W LNUT	1
64	08.128.03	ADAPTR 1"BSP BULKHEAD C/W LNUT	1
65	10.011.33	HOSE 1"BSP ST X ST S.SEAL 2300	1
66	10.009.33	HOSE 3/4"BSP ST/ST S.SEAL 2300	1
67	05.373.01	ADAPTOR 3/4" BSP X 1" BSP	1
68	05.434.01	ADAPTRO 1" BSP X 1" BSP	1

\*MAIN PART IN GROUP, RELATED PARTS HAVE SAME REFERENCE NUMBER



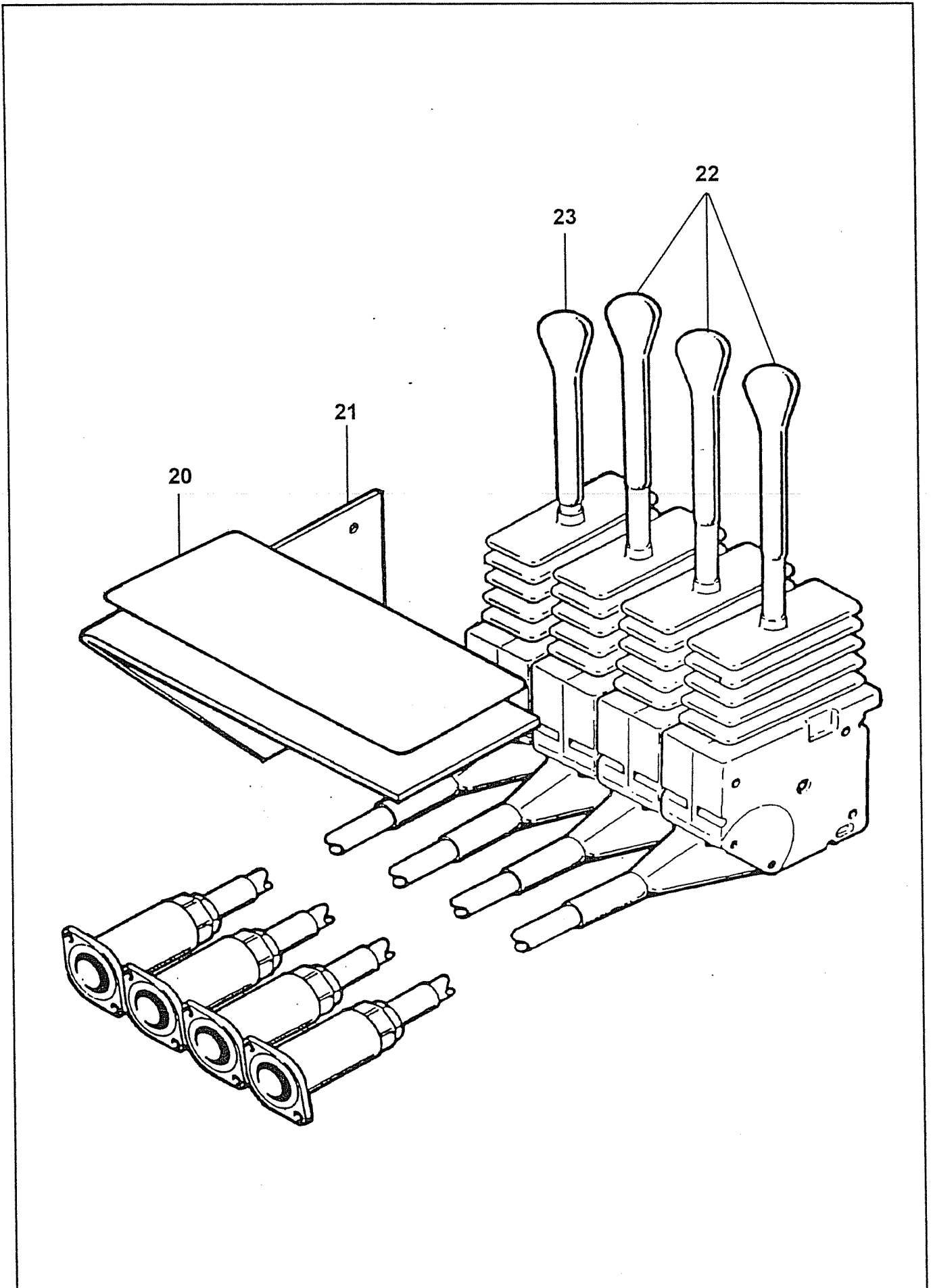
REF	PART NO.	DESCRIPTION	QTY
<b>74.918.01 CONTROL VALVE ASSY-CABLE</b>			
01	0342061	SKT CAPSCREW 1/4"UNCx3/4" BZP	6
*01	41335.01	VALVE ASSY-3 SPOOL	1
02	05.290.05	BONDED SEAL 1/2"BSP	5
03	04.056.16	ADAPTOR F/M/M 3/8X3/8X1/4 BSP	1
04	05.290.06	BONDED SEAL 3/4"BSP	2
05	05.128.01	ADAPTOR 3/4" BSP X 3/8" BSP	2
07	05.282.02	SPRING WASHER 10MM PLATED	1
07	05.286.02	NUT M10 PLATED	3
07	05.291.18	BOLT M10 X 65 PLATED	3
*07	08.057.01	PLATE - CONTROL VALVE KONTAK	1
10	01.099.03	ADAPTOR 1/2BSP X 1/4BSP	3
12	05.290.02	BONDED SEAL 1/4"BSP	1
13	05.146.12	Q/R COUPLING 1/4" BSP MALE	1
14	03.028.19	RESTRICTOR 1/2X1/4"BSP 1.00MM	1
15	03.028.20	RESTRICTOR 1/2X1/4"BSP 1.27MM	1

\*MAIN PART IN GROUP, RELATED PARTS HAVE SAME REFERENCE NUMBER



REF	PART NO.	DESCRIPTION	QTY
<b>76.271.04 CONTROL VALVE ASSY 3 SERV</b>			
01	30.073.93	SCREW M5 X 16MM 8.8 GRADE	4
*01	41784.01	CONTROL VALVE PROP 3 SERVICE	1
02	08.852.69	RELIEF VALVE CART.	1
03	08.852.51	CETOP 3 VENT VALVE	1
04	08.852.55	CETOP 3 SINGLE PO CHECK VALVE	1
05	41784.31	SPOOL VALVE PROPORTIONAL	2
06	08.852.53	CETOP 3 DUAL PO CHECK VALVE	2
07	08.852.52	CETOP 3 MOTOR SPOOL VALVE	1
08	41784.33	VALVE CARTRIDGE - HEAD FLOAT	1
*10	41.050.01	PLATE - VALVE MOUNTING	1
11	05.264.01	SETSCREW M8 X 20MM PLATED	4
11	05.281.01	FLAT WASHER 8MM PLATED	4
11	05.282.01	SPRING WASHER 8MM PLATED	4
*11	09.750.01	VALVE COVER LH	1
12	05.290.04	BONDED SEAL 3/8"BSP	5
13	01.099.01	ADAPTOR 3/8BSP X 1/4BSP	3
14	05.122.01	ADAPTOR 1/2" BSP X 1/2" BSP	1
15	05.290.05	BONDED SEAL 1/2"BSP	2
16	03.028.14	RESTRICTOR 3/8" X 1/4"BSP 0.75	1
17	05.123.01	ADAPTOR 1/2" BSP X 3/8" BSP	1
18	03.028.22	RESTRICTOR 3/8 X 3/8BSP 0.75MM	1
19	02.714.10	ADAPTOR SWIV BSP 3/8"F X 1/4"M	1
21	41814.01	DECAL - 3 SERVICE	1
30	03.028.12	RESTRICTOR 3/8" X 1/4"	1
31	03.028.12	RESTRICTOR 3/8" X 1/4"	1

\*MAIN PART IN GROUP, RELATED PARTS HAVE SAME REFERENCE NUMBER



REF	PART NO.	DESCRIPTION	QTY
<b>74.923.01 CABLE ASSY TMC-RH</b>			
20	09.916.04	DECAL - LEVER OP. 4 LEVER RH	1
20	09.916.03	DECAL - LEVER OP. 4 LEVER LH	1
*21	09.970.02	BRACKET-4 LEVER MOUNTING RH	1
21	05.286.10	NUT M6 PLATED	6
21	05.839.03	SETSCREW M8 X 16MM PLATED	2
22	05.948.07	WING NUT M8 - PLATED	2
22	04.282.70	STUD - M6 X 191 PLATED	3
22	05.281.10	FLAT WASHER 6MM PLATED	3
22	05.282.07	SPRING WASHER 6MM PLATED	3
*22	09.968.01	CABLE ASSY TMC - 2.5M BLACK LG	3
23	09.968.07	CABLE ASSY TMC - 2.5M RED SHRT	1

\*MAIN PART IN GROUP, RELATED PARTS HAVE SAME REFERENCE NUMBER



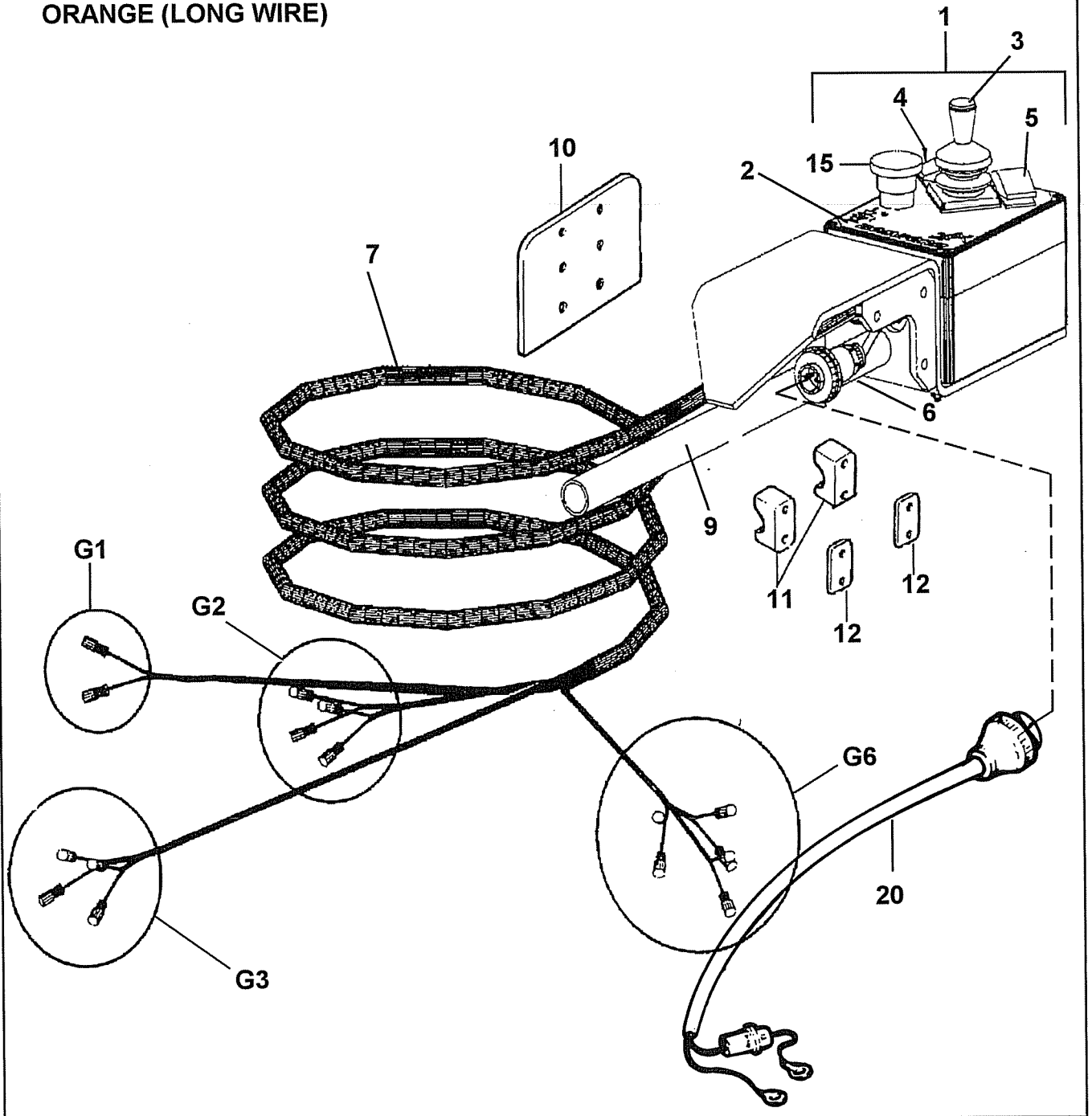
SERIES 3

GROUP 1 - DUMP  
BLACK  
PINK

GROUP 2 - 1ST RAM (PROP)  
BLACK (X2)  
RED/BLACK  
RED/BLUE

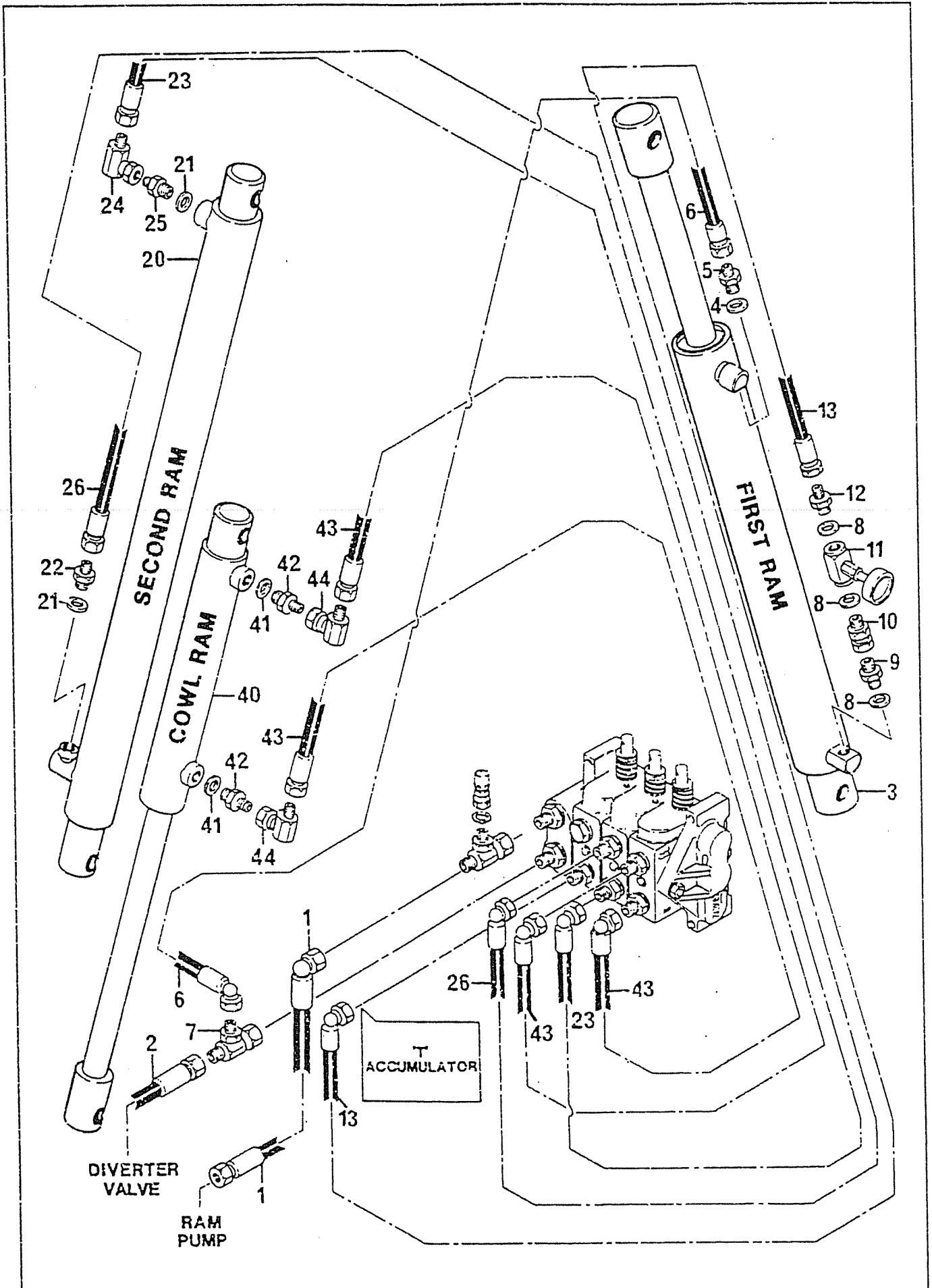
GROUP 3 - 2ND RAM (PROP)  
BLACK (X2)  
RED/BROWN  
RED/WHITE

GROUP 6 - COWL & HEAD FLOAT (B/B)  
BLACK (X3 - 2STD, 1 LONG)  
GREEN  
GREEN/RED  
ORANGE (LONG WIRE)



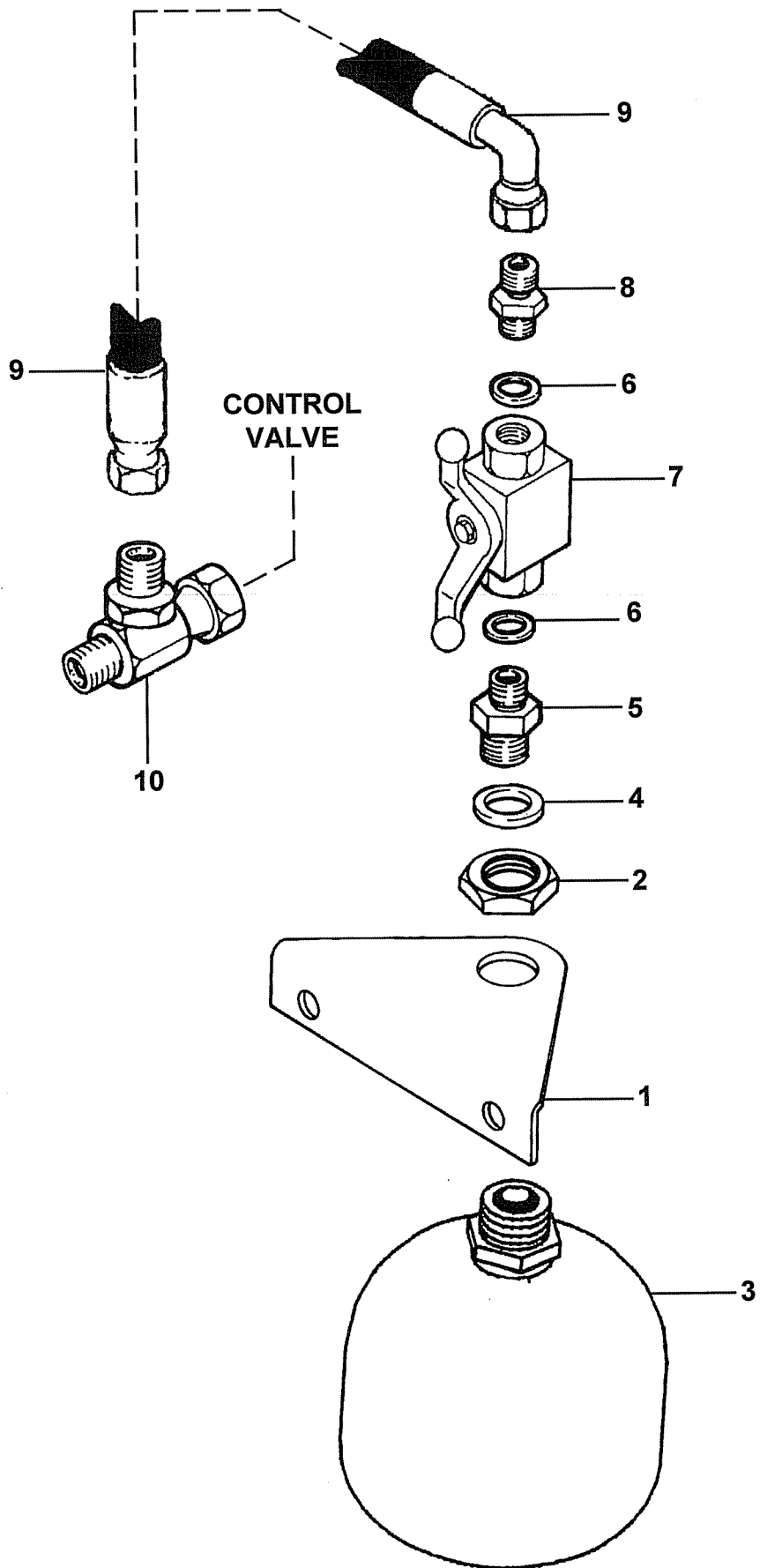
REF	PART NO.	DESCRIPTION	QTY
<b>76.271.01 REMOTE CONTROL ASSY 3 SERV</b>			
01	41786.01	CONTROL BOX 3 (2+1) SERVICE	1
02	41786.32	DECAL LH	1
03	41786.34	JOYSTICK ASSY	1
04	41786.35	SWITCH ASSY COWL	1
05	41786.38	SWITCH ASSY HEAD FLOAT	1
06	41786.41	WIRE LOOM POWER	1
07	41786.44	WIRE LOOM 3 SERV	1
08	41786.47	PCB ASSY 3 SERVICE	1
09	41757.01	BRACKET - CONTROL BOX MOUNT	1
10	05.264.02	SETSCREW M8 X 25MM PLATED	2
10	05.281.01	FLAT WASHER 8MM PLATED	2
10	05.282.01	SPRING WASHER 8MM PLATED	2
10	05.948.07	WING NUT M8 - PLATED	2
*10	08.317.01	PLATE - CONTROL BOX	1
10	30.068.90	BOLT M6 X 55 MM 8.8 GRADE Z/P.	4
10	30.070.64	NUT NYLOC M6.Z/P.	4
11	30.209.71	CLAMP SINGLE 1"	4
12	30.209.73	COVER PLATE	2
15	41786.33	STOP SWITCH	1
20	08.987.01	CABLE ASSY - 2 CORE X 5.5M HVY	1

\*MAIN PART IN GROUP, RELATED PARTS HAVE SAME REFERENCE NUMBER



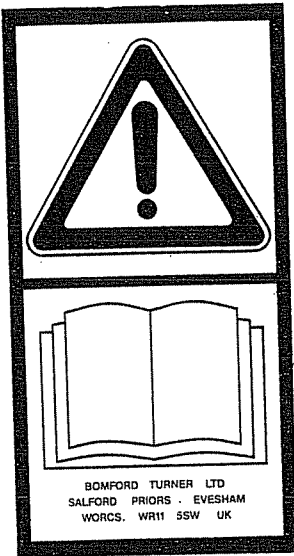
REF	PART NO.	DESCRIPTION	QTY
<b>72.032.01 RAM CIRCUIT- FIRST RAM</b>			
01	10.004.18	HOSE 3/8"BSP ST X 90 S.SEAL 900	1
02	10.004.12	HOSE 3/8"BSP ST X 90 S.SEAL 600	1
*03	07.831.01	RAM ASSY. 70 BORE X 615 STROKE	1
03	07.831.02	SEAL KIT (FOR 07.831.01)	-
04	05.290.04	BONDED SEAL 3/8"BSP	1
05	01.099.01	ADAPTOR 3/8BSP X 1/4BSP	1
06	10.002.34	HOSE 1/4"BSP ST X 90 S.SEAL 2400	1
07	04.056.04	TEE ADAPTOR 3/8"X 1/4"X 3/8"	1
08	05.290.04	BONDED SEAL 3/8"BSP	3
09	03.028.15	RESTRICTOR 3/8 X 3/8BSP 1.7MM	1
10	02.714.01	ADAPTOR-SWIVEL ST 3/8BSP M/F	1
11	08.200.01	VALVE - ISOLATING 3/8" BSP	1
12	01.099.01	ADAPTOR 3/8"BSP X 1/4"BSP	1
13	10.002.32	HOSE 1/4"BSP ST X 90 S.SEAL 2200	1
<b>72.087.01 RAM CIRCUIT - SECOND RAM</b>			
20	04.156.13	SEAL KIT (04156 D/A RAMS)	-
*20	04.156.22	RAM ASSY-D/A 60MM BORE X 645MM	1
21	05.290.04	BONDED SEAL 3/8"BSP	2
22	01.099.01	ADAPTOR 3/8BSP X1/4BSP	1
23	10.002.42	HOSE 1/4"BSP ST X 90 S.SEAL 3200	1
24	05.835.04	ADAPTOR - SWIVEL 90 1/4"BSP MF	1
25	03.028.12	RESTRICTOR 3/8" X 1/4BSP 1.70	1
26	10.002.47	HOSE 1/4"BSP ST X 90 S.SEAL 3700	1
<b>76.248.01 RAM CIRCUIT - COWL RAM</b>			
40	04.156.13	SEAL KIT (04156 D/A RAMS)	-
*40	04.156.24	RAM ASSY-D/A 60MM BORE X 430MM	1
40	05.953.01	GREASE NIPPLE M6	2
41	05.290.04	BONDED SEAL 3/8"BSP	2
42	03.028.08	RESTRICTOR 3/8" X 1/4"BSP 1.27	2
43	10.002.70	HOSE 1/4"BSP ST X 90 S.SEAL 6000	2
44	05.835.04	ADAPTOR SWIVEL 90 1/4 X 9/16 BSP	1

\*MAIN PART IN GROUP, RELATED PARTS HAVE SAME REFERENCE NUMBER



REF	PART NO	DESCRIPTION	QTY
<b>72.035.01 ACCUMULATOR KIT</b>			
00	09.852.01	DECAL - ARM FLOAT	1
*01	43239.01	BRACKET	1
01	05.264.13	SETSCREW M10 X 30MM PLATED	2
01	05.282.02	SPRING WASHER 10MM PLATED	2
01	05.286.02	NUT M10 PLATED	2
02	8126035	M33 NUT - BULKHEAD	1
*03	41451.02	ACCUMULATOR	1
*04	05.290.05	BONDED SEAL 1/2"BSP	1
*05	05.123.01	ADAPTOR 1/2" BSP X 3/8" BSP	1
*06	05.290.04	BONDED SEAL 3/8"BSP	2
*07	08.200.01	VALVE - ISOLATING 3/8" BSP	1
*08	01.099.01	ADAPTOR 3/8" BSP X 1/4" BSP	1
*09	10.002.12	HOSE 1/4" BSP ST X 90 S.SEAL 600	1
*10	04.056.10	ADAPTOR-TEE 1/4" BSP FMM	1

**\*MAIN PART IN GROUP, RELATED PARTS HAVE SAME REFERENCE NUMBER**



09.821.01



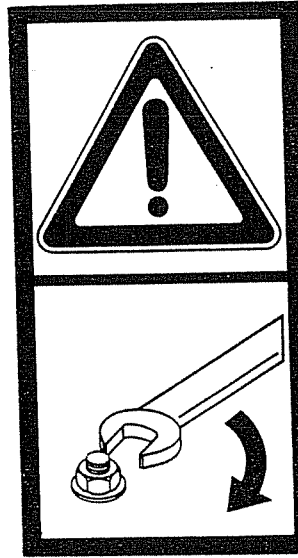
09.821.03



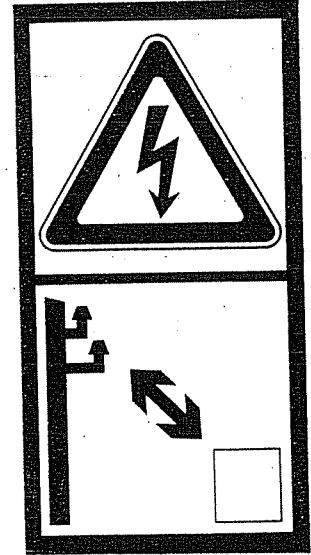
09.821.09



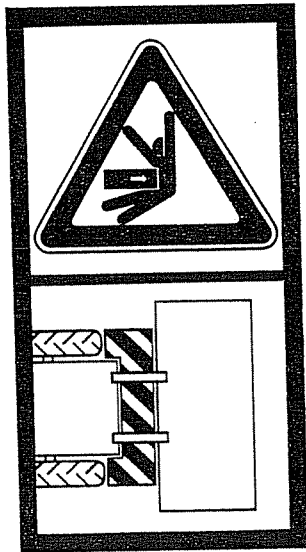
09.821.07



09.821.10



09.821.02



09.821.16



09.821.20

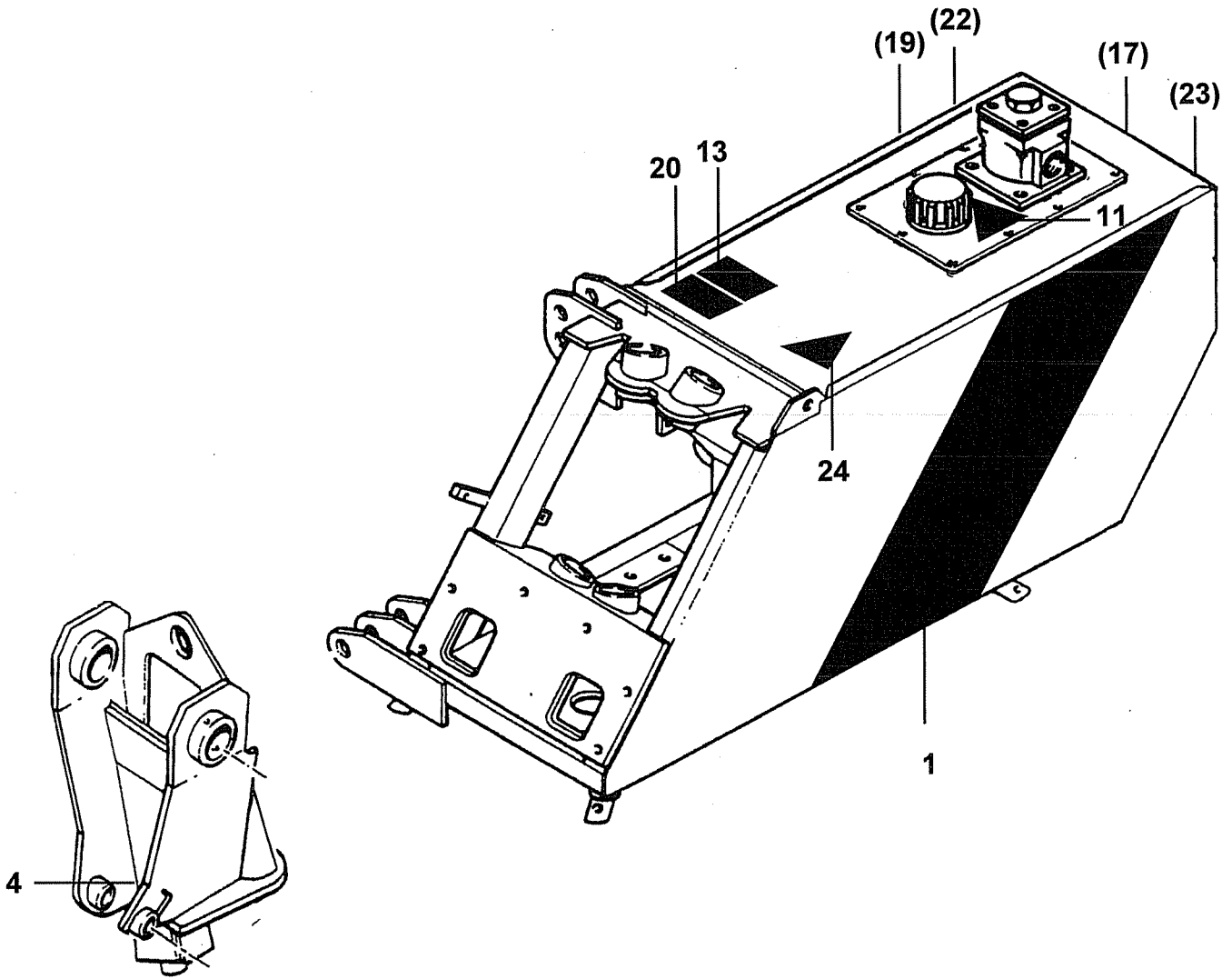


09.821.23

REF	PART NO.	DESCRIPTION	QTY
<b>74.912.01 ENGINEERING DECALS</b>			
10	08.632.01	DECAL - TRANSPORT	1
11	09.030.01	DECAL - OIL FILTER	1
12	09.811.01	DECAL - MAX PTO SPEED 540	1
13	09.821.01	DECAL - READ INSTRUCTION BOOK	1
14	09.821.02	DECAL - STAY CLEAR O'HD CABLES	1
15	09.821.03	DECAL - DON'T STAND UNDER ARMS	1
16	09.821.07	DECAL - RESIDUAL PRESSURE	1
17	09.821.09	DECAL - HOT SURFACE	1
18	09.821.10	DECAL - KEEP NUTS TIGHT	1
19	09.821.16	DECAL - KEEP OUT ZONE	1
20	09.821.20	DECAL - SHAFT ENTANGLEMENT	1
21	09.821.23	DECAL - PINCH POINT	1
22	09.845.01	DECAL - APPROVED OILS	1
23	09.846.01	DECAL - OIL FILTER CHANGE	1
24	09.570.01	DECAL - TANK FULL OF OIL	1
<b>72.082.01 DECALS - BASE</b>			
01	08.043.03	DECAL - BOMFORD B577 LH	1
01	08.043.04	DECAL - BOMFORD B577 RH	1
02	09.837.01	DECAL - BOMFORD	2
03	09.843.04	DECAL - LIFT POINT 750 KG	2
04	09.810.01	DECAL-GREASE (8 HOURS)	10

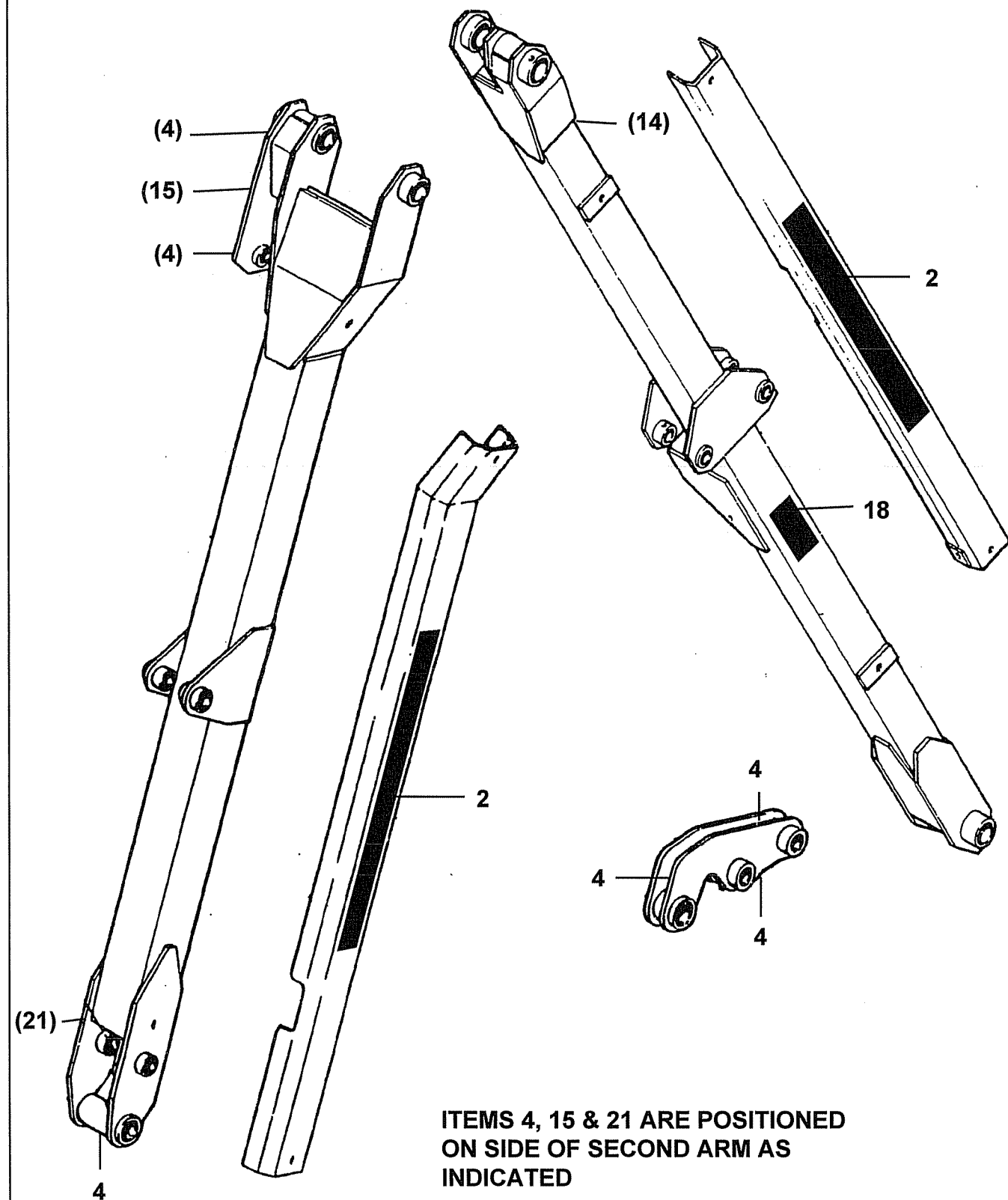


ITEMS 19, 22, 17 & 23 ARE POSITIONED  
ON THE TOP EDGE ON THE SIDES OF  
THE TANK AS INDICATED



REF	PART NO.	DESCRIPTION	QTY
<b>74.912.01 ENGINEERING DECALS</b>			
10	08.632.01	DECAL - TRANSPORT	1
11	09.030.01	DECAL - OIL FILTER	1
12	09.811.01	DECAL - MAX PTO SPEED 540	1
13	09.821.01	DECAL - READ INSTRUCTION BOOK	1
14	09.821.02	DECAL - STAY CLEAR O'HD CABLES	1
15	09.821.03	DECAL - DON'T STAND UNDER ARMS	1
16	09.821.07	DECAL - RESIDUAL PRESSURE	1
17	09.821.09	DECAL - HOT SURFACE	1
18	09.821.10	DECAL - KEEP NUTS TIGHT	1
19	09.821.16	DECAL - KEEP OUT ZONE	1
20	09.821.20	DECAL - SHAFT ENTANGLEMENT	1
21	09.821.23	DECAL - PINCH POINT	1
22	09.845.01	DECAL - APPROVED OILS	1
23	09.846.01	DECAL - OIL FILTER CHANGE	1
24	09.570.01	DECAL - TANK FULL OF OIL	1
<b>72.082.01 DECALS - BASE</b>			
01	08.043.03	DECAL - BOMFORD B577 LH	1
01	08.043.04	DECAL - BOMFORD B577 RH	1
02	09.837.01	DECAL - BOMFORD	2
03	09.843.04	DECAL - LIFT POINT 750 KG	2
04	09.810.01	DECAL-GREASE (8 HOURS)	10

ITEM 14 POSITIONED ON TOP  
OF FIRST ARM AS INDICATED



REF	PART NO.	DESCRIPTION	QTY
<b>74.912.01 ENGINEERING DECALS</b>			
10	08.632.01	DECAL - TRANSPORT	1
11	09.030.01	DECAL - OIL FILTER	1
12	09.811.01	DECAL - MAX PTO SPEED 540	1
13	09.821.01	DECAL - READ INSTRUCTION BOOK	1
14	09.821.02	DECAL - STAY CLEAR O'HD CABLES	1
15	09.821.03	DECAL - DON'T STAND UNDER ARMS	1
16	09.821.07	DECAL - RESIDUAL PRESSURE	1
17	09.821.09	DECAL - HOT SURFACE	1
18	09.821.10	DECAL - KEEP NUTS TIGHT	1
19	09.821.16	DECAL - KEEP OUT ZONE	1
20	09.821.20	DECAL - SHAFT ENTANGLEMENT	1
21	09.821.23	DECAL - PINCH POINT	1
22	09.845.01	DECAL - APPROVED OILS	1
23	09.846.01	DECAL - OIL FILTER CHANGE	1
24	09.570.01	DECAL - TANK FULL OF OIL	1
<b>72.082.01 DECALS - BASE</b>			
01	08.043.03	DECAL - BOMFORD B577 LH	1
01	08.043.04	DECAL - BOMFORD B577 RH	1
02	09.837.01	DECAL - BOMFORD	2
03	09.843.04	DECAL - LIFT POINT 750 KG	2
04	09.810.01	DECAL-GREASE (8 HOURS)	10