

PM1765

B54MP
ARM MOWER

PARTS MANUAL

ISSUE 10

B54MP ARM MOWER

*PAGE AND ILLUSTRATION NUMBERS ARE USED ONLY FOR REFERENCE PURPOSES
AND SHOULD NOT BE USED FOR ORDERING SPARE PARTS.
PLEASE ENSURE THE CORRECT PART NUMBER AND DESCRIPTION IS
GIVEN WHEN ORDERING SPARE PARTS.*

For machines commencing with serial number ... 2091H ...

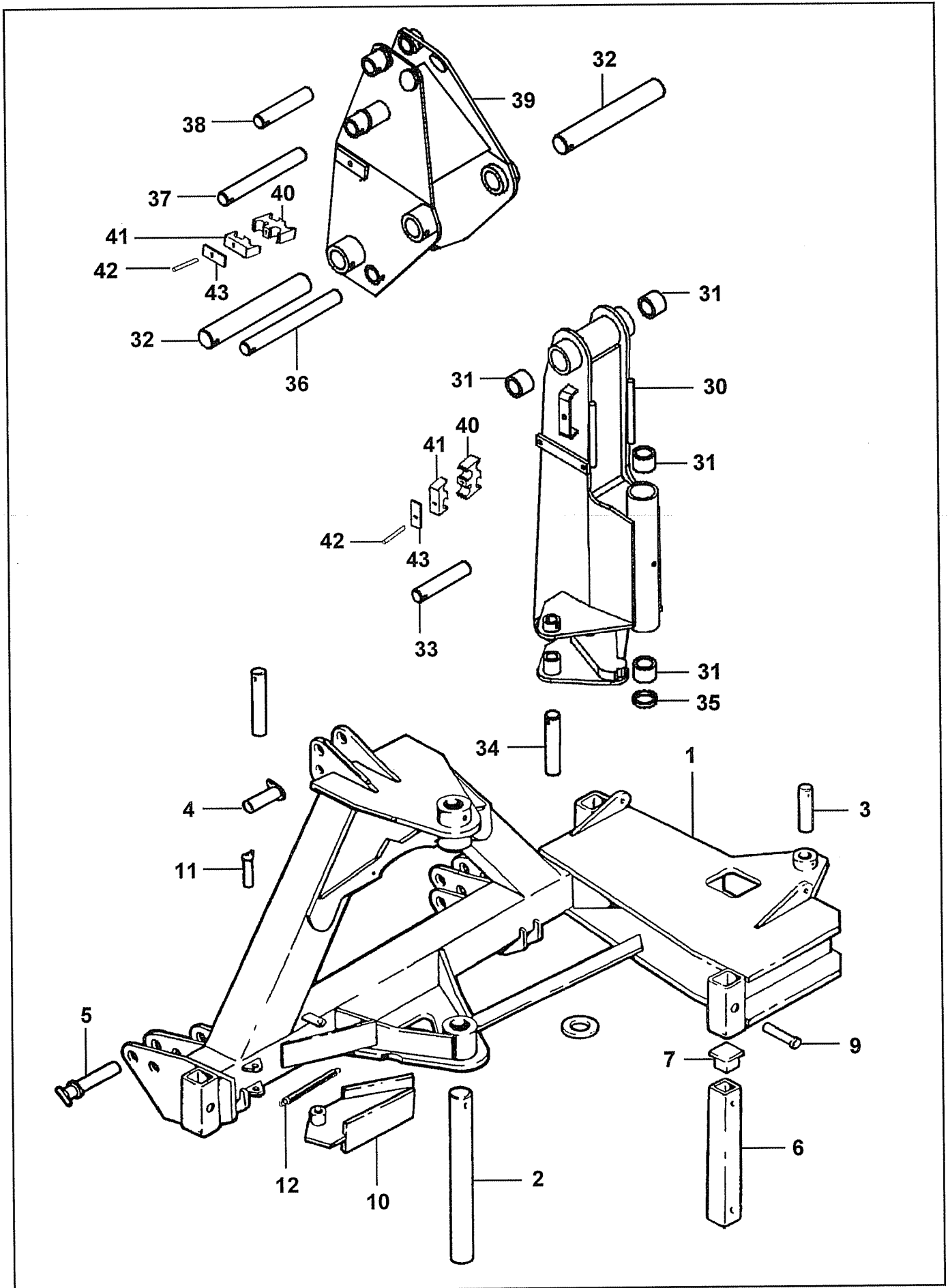
| PAGE NO. | DESCRIPTION |
|-----------------|---|
| 2 - 1 TO 2 - 3 | MAINFRAME ASSEMBLY KINGPOST/ROCKER ASSEMBLY |
| 3 - 1 TO 3 - 2 | MOUNTING KITS |
| 4 - 1 TO 4 - 2 | TANK ASSEMBLY |
| 5 - 1 TO 5 - 3 | FIRST ARM/LINK ASSEMBLY SECOND ARM ASSEMBLY COWL BRACKET AND LINKAGE |
| 6 - 1 TO 6 - 3 | PTO, GEARBOX AND TWIN PUMP CIRCUIT |
| 7 - 1 TO 7 - 3 | PTO, GEARBOX AND TWIN PUMP CIRCUIT DSR |
| 8 - 1 TO 8 - 2 | CABLE CONTROL VALVE ASSEMBLY - 4 SERVICE |
| 9 - 1 TO 9 - 2 | EPP CONTROL VALVE ASSEMBLY - 4 SERVICE |
| 10-1 TO 10-2 | CABLE REMOTE CONTROL ASSEMBLY |
| 11-1 TO 11-6 | EPP REMOTE CONTROL ASSEMBLY EPP REMOTE CONTROL ASSEMBLY CAB SIDE MOUNTING EPP REMOTE CONTROL ASSEMBLY CAB SEAT MOUNTING |
| 12-1 TO 12-2 | RAM CIRCUITS - 1ST, 2ND AND COWL RAMS |
| 13-1 TO 13-2 | RAM CIRCUIT - SLEW |
| 14-1 TO 14-2 | ACCUMULATOR KIT |
| 15-1 TO 15-4 | DECALS |

IMPORTANT

**THIS MACHINE IS FOR VEGETATION CONTROL AND
MUST NOT BE USED FOR ANY OTHER PURPOSE**

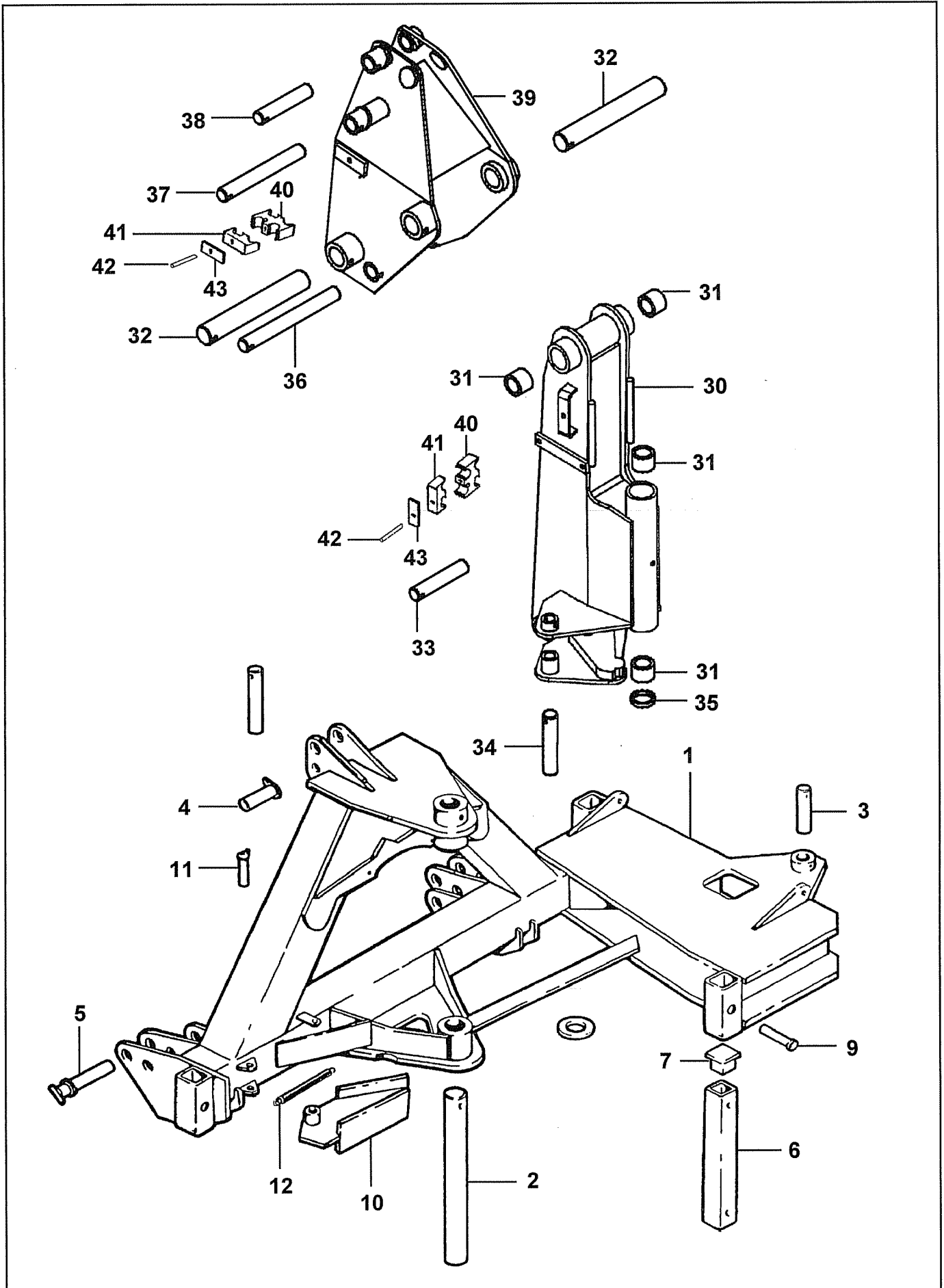
**IT IS POTENTIALLY HAZARDOUS TO FIT OR USE
ANY PARTS OTHER THAN GENUINE BOMFORD TURNER PARTS**

**THE COMPANY DISCLAIMS ALL LIABILITY FOR THE
CONSEQUENCES OF SUCH USE, WHICH IN ADDITION
VOIDS THE MACHINE WARRANTY**



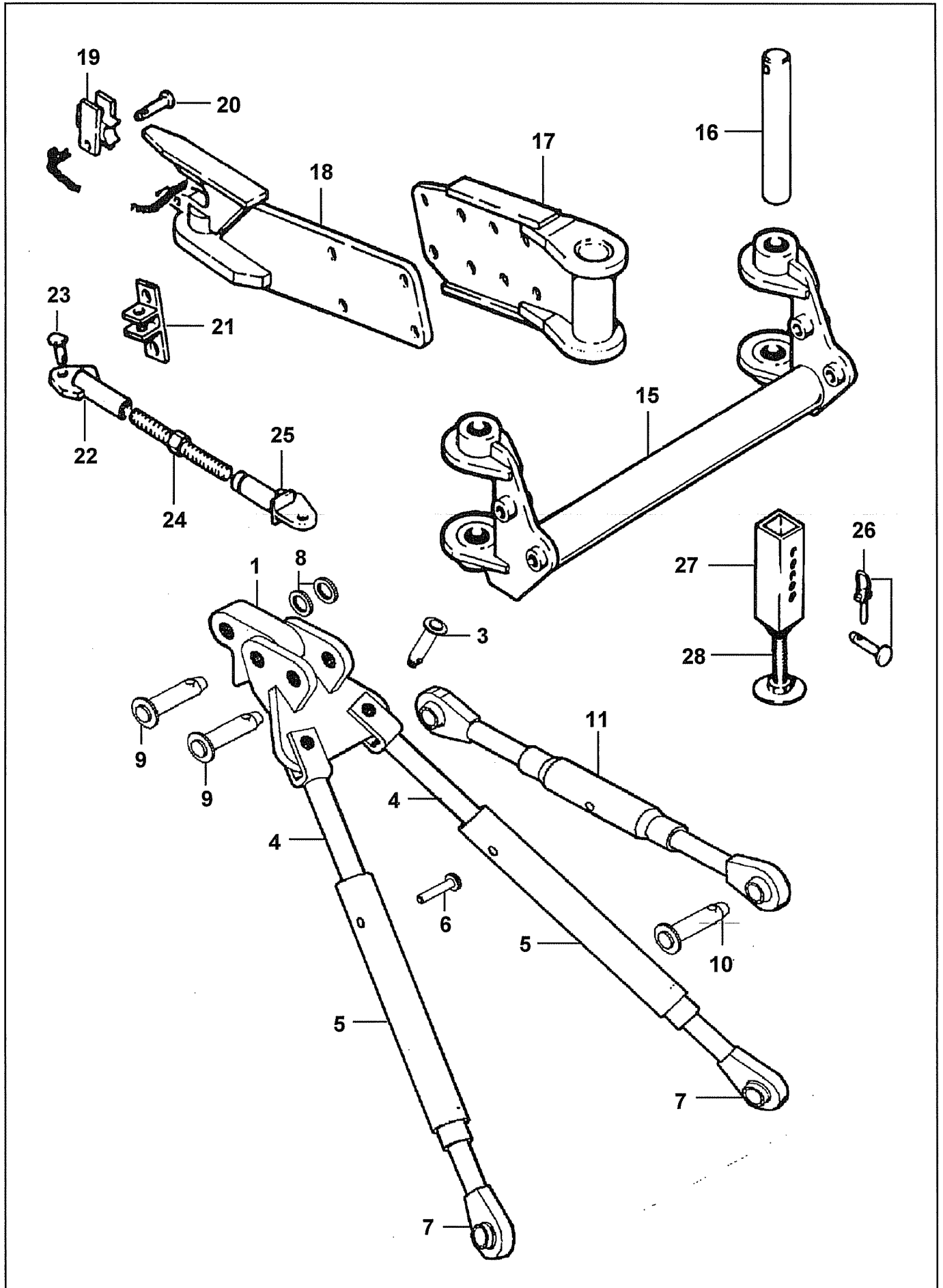
| REF | PART NO | DESCRIPTION | QTY |
|------------------------------------|-----------|--------------------------------|-----|
| 74.648.01 MAINFRAME ASSY LH | | | |
| *01 | 09.943.01 | MAINFRAME LH. | 1 |
| 01 | 05.227.01 | HAMMER DRIVE SCREW NO.6 X 3/8" | 2 |
| 01 | 05.774.06 | SERIAL NO.PLATE BOMFORD TURNER | 1 |
| *02 | 03.657.28 | PIN - DIA 50 X 570 | 1 |
| 02 | 05.287.03 | SELF-LOCKING NUT M12 PLATED | 1 |
| 02 | 05.292.22 | BOLT M12 X 90MM PLATED | 1 |
| *03 | 03.653.57 | PIN 25 DIA X 170MM | 1 |
| 03 | 05.287.01 | SELF-LOCKING NUT M8 PLATED | 1 |
| 03 | 05.625.29 | SOCKET CAPSCREW M8 X 50 PLATED | 1 |
| 04 | 05.264.12 | SETSCREW M10 X 25MM PLATED | 2 |
| 04 | 05.281.02 | FLT WASHER 10MM PLATED FORM C | 2 |
| 04 | 05.282.02 | SPRING WASHER 10MM PLATED | 2 |
| 04 | 09.931.01 | PIN - LOWER LINK | 2 |
| *05 | 06.318.01 | PIN-1.1/8" DIA X 103 | 2 |
| 05 | 00.372.01 | LINCH PIN | 2 |
| 06 | 41.026.01 | PARKING LEG | 3 |
| 07 | 07.262.03 | PLUG-PLASTIC 50 X 50:3.2-5.0W | 3 |
| *09 | 03.652.01 | PIN 20 DIA X 90 | 3 |
| 09 | 00.372.01 | LINCH PIN | 3 |
| *10 | 09.925.01 | BRACKET - KINGPOST STOP | 1 |
| 10 | 30.071.98 | SOCKET CAPSCREW M6 X 16 Z/P | 1 |
| 11 | 03.652.21 | PIN - DIA 20 X 105 | 1 |
| 12 | 09.917.01 | SPRING - TENSION | 1 |

*MAIN PART IN GROUP, RELATED PARTS HAVE SAME REFERENCE NUMBER



| REF | PART NO | DESCRIPTION | QTY |
|--|-----------|---|-----|
| 76.322.01 KINGPOST/ROCKER ASSY LH | | | |
| *30 | 42017.01 | KINGPOST - LH (Up to Serial No. 3596H/97) | 1 |
| *30 | 42607.03 | KINGPOST - LH (From Serial No. 3597H/97) | 1 |
| 30 | 05.953.03 | GREASE NIPPLE M10 | 2 |
| 31 | 08.297.01 | BUSH - PLASTIC 60 X 50 X 50 | 4 |
| 32 | 03.657.21 | PIN 50 DIA X 340 | 2 |
| 32 | 05.287.03 | SELF-LOCKING NUT M12 PLATED | 2 |
| 32 | 05.292.22 | BOLT M12 X 90MM PLATED | 2 |
| *33 | 03.655.33 | PIN 35 DIA X 172 | 1 |
| 33 | 05.287.02 | SELF-LOCKING NUT M10 PLATED | 1 |
| 33 | 05.291.18 | BOLT M10 X 65 PLATED | 1 |
| *34 | 03.653.57 | PIN 25 DIA X 170MM | 1 |
| 34 | 05.287.01 | SELF-LOCKING NUT M8 PLATED | 1 |
| 34 | 05.625.29 | SOCKET CAPSCREW M8 X 50 PLATED | 1 |
| 35 | 09.918.01 | THRUST WASHER - PLASTIC | 1 |
| *36 | 03.655.40 | PIN DIA 35 X 318 | 1 |
| 36 | 05.287.02 | SELF-LOCKING NUT M10 PLATED | 1 |
| 36 | 05.291.18 | BOLT M10 X 65 PLATED | 1 |
| *37 | 03.655.43 | PIN - DIA 35 X 272 | 1 |
| 37 | 05.287.02 | SELF-LOCKING NUT M10 PLATED | 1 |
| 37 | 05.291.18 | BOLT M10 X 65 PLATED | 1 |
| *38 | 03.655.33 | PIN 35DIA X 172 | 1 |
| 38 | 05.287.02 | SELF-LOCKING NUT M10 PLATED | 1 |
| 38 | 05.291.18 | BOLT M10 X 65 PLATED | 1 |
| 39 | 42016.02 | ROCKER BRACKET | 1 |
| *40 | 04.282.82 | STUD - M10 X 105 | 2 |
| 40 | 05.281.02 | FLT WASHER 10MM PLATED FORM C | 2 |
| 40 | 05.282.02 | SPRING WASHER 10MM PLATED | 2 |
| 40 | 05.286.02 | NUT M10 PLATED | 2 |
| 41 | 42024.02 | HOSE CLAMP-LOWER | 2 |
| 42 | 42024.03 | HOSE CLAMP - UPPER | 2 |
| 43 | 43002.02 | CLAMP PLATE 40 X 6 | 2 |

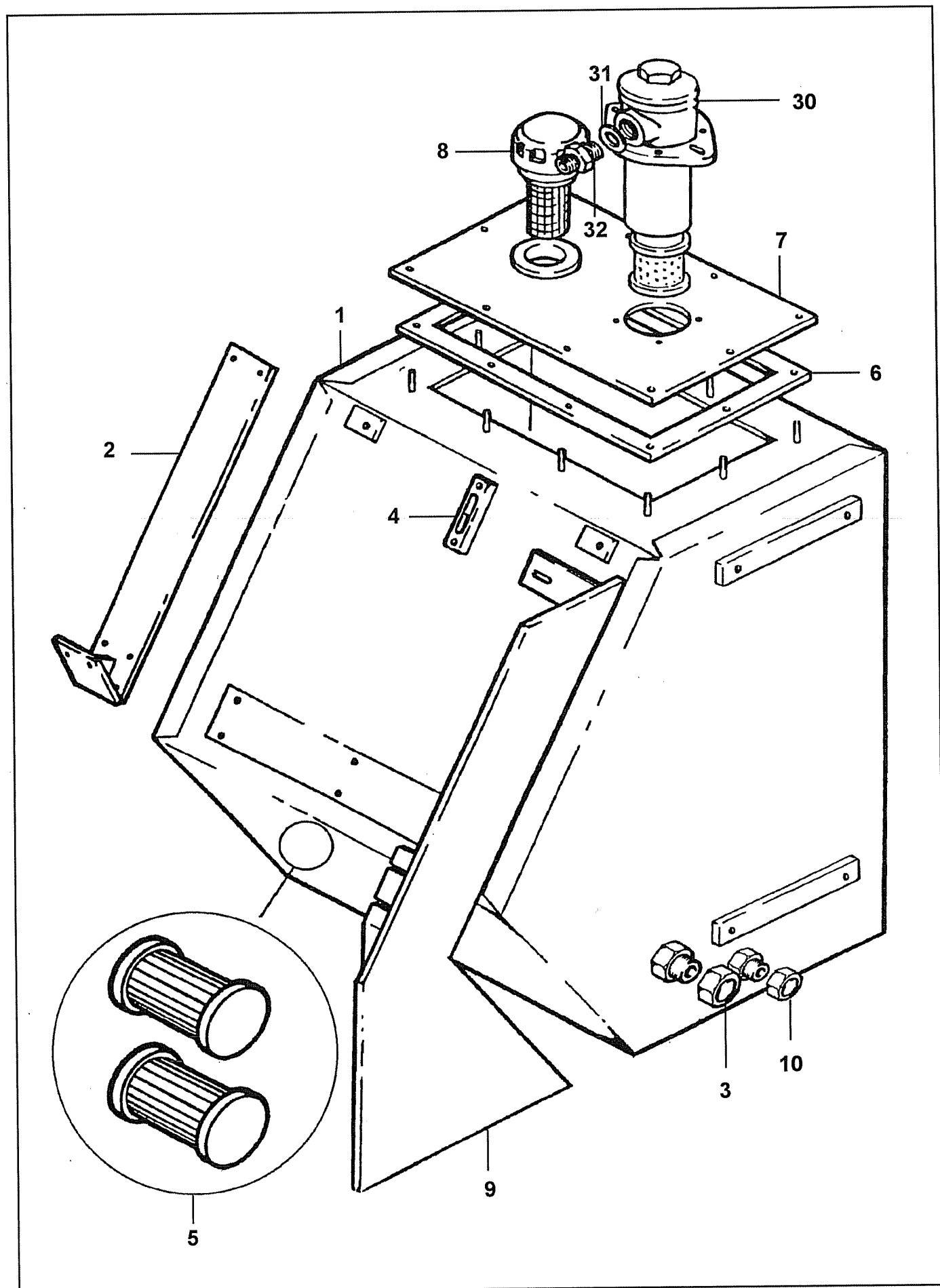
*MAIN PART IN GROUP, RELATED PARTS HAVE SAME REFERENCE NUMBER



| REF | PART NO | DESCRIPTION | QTY |
|------------------------------------|-----------|-------------------------------|-----|
| 74.668.01 AXLE MOUNTING KIT | | | |
| 15 | 09.919.01 | BRACKET-AXLE MOUNTING | 1 |
| *16 | 03.657.18 | PIN 50 DIA X 291MM | 2 |
| 16 | 05.282.03 | SPRING WASHER 12MM PLATED | 2 |
| 16 | 05.286.03 | NUT M12 PLATED | 2 |
| 16 | 05.292.22 | BOLT M12 X 90MM PLATED | 2 |
| 17 | 08.543.01 | PIVOT GATE | 2 |
| *18 | 03.752.01 | MOUNTING FORK | 2 |
| 18 | 05.282.05 | SPRING WASHER 20MM PLATED | 8 |
| 18 | 05.286.05 | NUT M20 PLATED | 8 |
| 18 | 05.292.41 | BOLT M20 X 80MM PLATED | 8 |
| 19 | 03.719.01 | CATCH PLATE | 2 |
| *20 | 03.650.01 | PIN 12 DIA X 68 | 2 |
| 20 | 03.255.05 | CHAIN-RING ASSY | 2 |
| 20 | 05.964.01 | SPRING COTTER 3.6MM DIA | 2 |
| 21 | 03.720.01 | BRACKET-TIE ROD | 2 |
| 22 | 03.806.01 | BRACKET-TIE ROD R.H. | 2 |
| *23 | 03.652.02 | PIN 20 DIA X 53 | 2 |
| 23 | 05.284.03 | SPLIT COTTER 3.2MM X 36MM | 2 |
| *24 | 03.804.02 | TURNBUCKLE (PLATED) | 2 |
| 24 | 05.286.06 | NUT M24 PLATED | 2 |
| *25 | 03.805.01 | BRACKET-TIE ROD L.H. | 2 |
| 25 | 05.264.47 | SETSCREW M20 X 50MM PLATED | 2 |
| 25 | 05.287.05 | SELF-LOCKING NUT M20 PLATED | 2 |
| *26 | 03.652.01 | PIN 20 DIA X 90 | 3 |
| 26 | 00.372.01 | LINCH PIN | 3 |
| 27 | 08.397.01 | STAND - BOTTOM | 3 |
| 28 | 30.141.34 | ADJUSTER FOOT | 3 |
| 76.458.01 3 PT LINKAGE KIT | | | |
| *01 | 42411.01 | PLATE 40 - 138 X 119 | 1 |
| +01 | 42280.01 | PLATE 40 - 138 X 119 | 1 |
| +01 | 42441.01 | PLATE 40 - 158 X 118 | 1 |
| 02 | 42276.01 | BRACKET | 1 |
| 03 | 03.652.12 | PIN DIA 20 X 65 LG | 2 |
| 03 | 05.201.11 | TENSION PIN 5MM X 45MM PLATED | 2 |
| 03 | 05.281.05 | FLAT WASHER 20MM PLATED | 2 |
| 04 | 42317.01 | ROD INNER | 2 |
| 05 | 42316.01 | TUBE OUTER | 2 |
| 06 | 05.964.01 | SPRING COTTER 3.6MM DIA | 2 |
| 06 | 42315.01 | BRT RND 12 DIA X 68 | 2 |
| 07 | 07.731.01 | BALL END - A-FRAME | 2 |
| 08 | 42452.01 | CDS 1 1/2 X 1 1/32 - 5PLATED | 2 |
| 09 | 00.372.01 | LINCH PIN | 2 |
| 09 | 03.873.01 | PIN 1"DIA X 140MM | 2 |
| 10 | 00.372.01 | LINCH PIN | 1 |
| 10 | 42250.01 | PIN - CATII TOP LINK | 1 |
| 11 | 07.584.02 | TOP LINK - HEAVY DUTY | 1 |

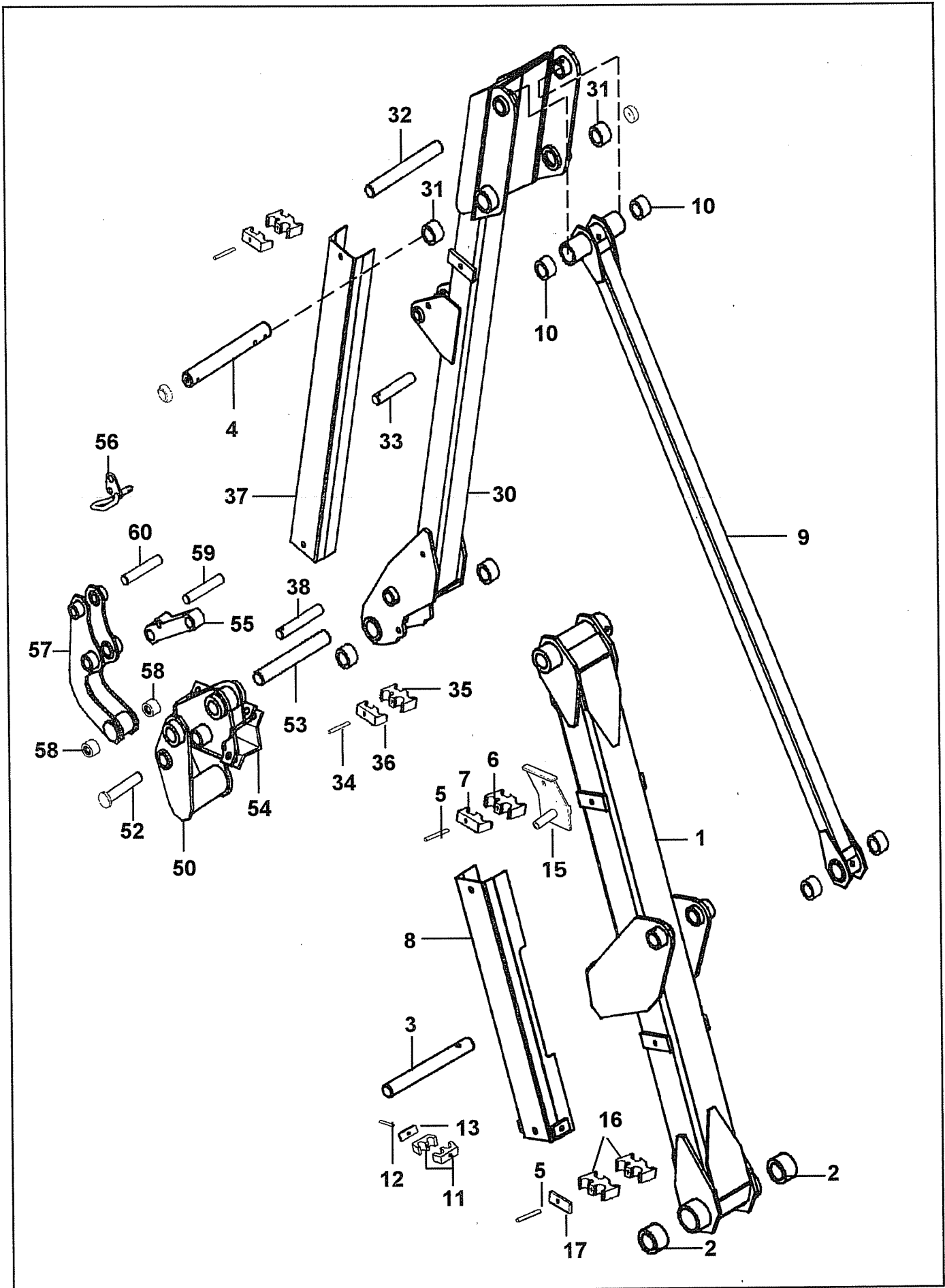
+ *Dependent on tractor make/model*

***MAIN PART IN GROUP, RELATED PARTS HAVE SAME REFERENCE NUMBER**



| REF | PART NO | DESCRIPTION | QTY |
|--------------------------------------|-----------|--------------------------------|-----|
| 76.086.01 TANK ASSY - LH 4905 | | | |
| *01 | 42601.01 | TANK - OIL LH | 1 |
| 01 | 42601.02 | TANK - OIL RH | 1 |
| 01 | 05.264.37 | SETSCREW M16 X 50MM PLATED | 2 |
| 01 | 05.282.04 | SPRING WASHER 16MM PLATED | 2 |
| 01 | 05.287.04 | SELF-LOCKING NUT M16 PLATED | 2 |
| *02 | 09.949.01 | BRACKET - TANK MOUNTING | 1 |
| 02 | 05.264.22 | SETSCREW M12 X 25MM PLATED | 5 |
| 02 | 05.281.03 | FLAT WASHER 12MM PLATED | 6 |
| 02 | 05.282.03 | SPRING WASHER 12MM PLATED | 6 |
| 03 | 05.433.09 | BLANKING CAP 1.1/2"BSP FEMALE | 1 |
| 04 | 08.921.01 | FLUID LEVEL GAUGE | 1 |
| 05 | 8401047 | UC-SE-1324 SUCTION | 2 |
| 06 | 08.605.01 | GASKET | 1 |
| *07 | 41.255.01 | PLATE - FILLER/FILTER | 1 |
| 07 | 05.281.01 | FLAT WASHER 8MM PLATED | 10 |
| 07 | 05.286.01 | NUT M8 PLATED | 10 |
| 08 | 06.966.02 | FILLER BREATHER CAP & STRAINER | 1 |
| 09 | 05.264.21 | SETSCREW M12 X 20MM PLATED | 1 |
| 09 | 09.974.01 | COVER - REAR LH | 1 |
| 10 | 05.433.08 | BLANKING CAP 1" BSP FEMALE | 1 |
| 74.803.01 FILTER ASSEMBLY | | | |
| *30 | 41.041.01 | FILTER UCC REF 3301.346 | 1 |
| 30 | 05.264.01 | SETSCREW M8 X 20MM PLATED | 4 |
| 30 | 05.282.01 | SPRING WASHER 8MM PLATED | 4 |
| 30 | 41.041.02 | ELEMENT UCC REF MFR 3300 | - |
| 31 | 05.290.08 | BONDED SEAL 1.1/4"BSP | 1 |
| 32 | 05.131.01 | ADAPTOR 1" X 1.1/4" BSP | 1 |

*MAIN PART IN GROUP, RELATED PARTS HAVE SAME REFERENCE NUMBER

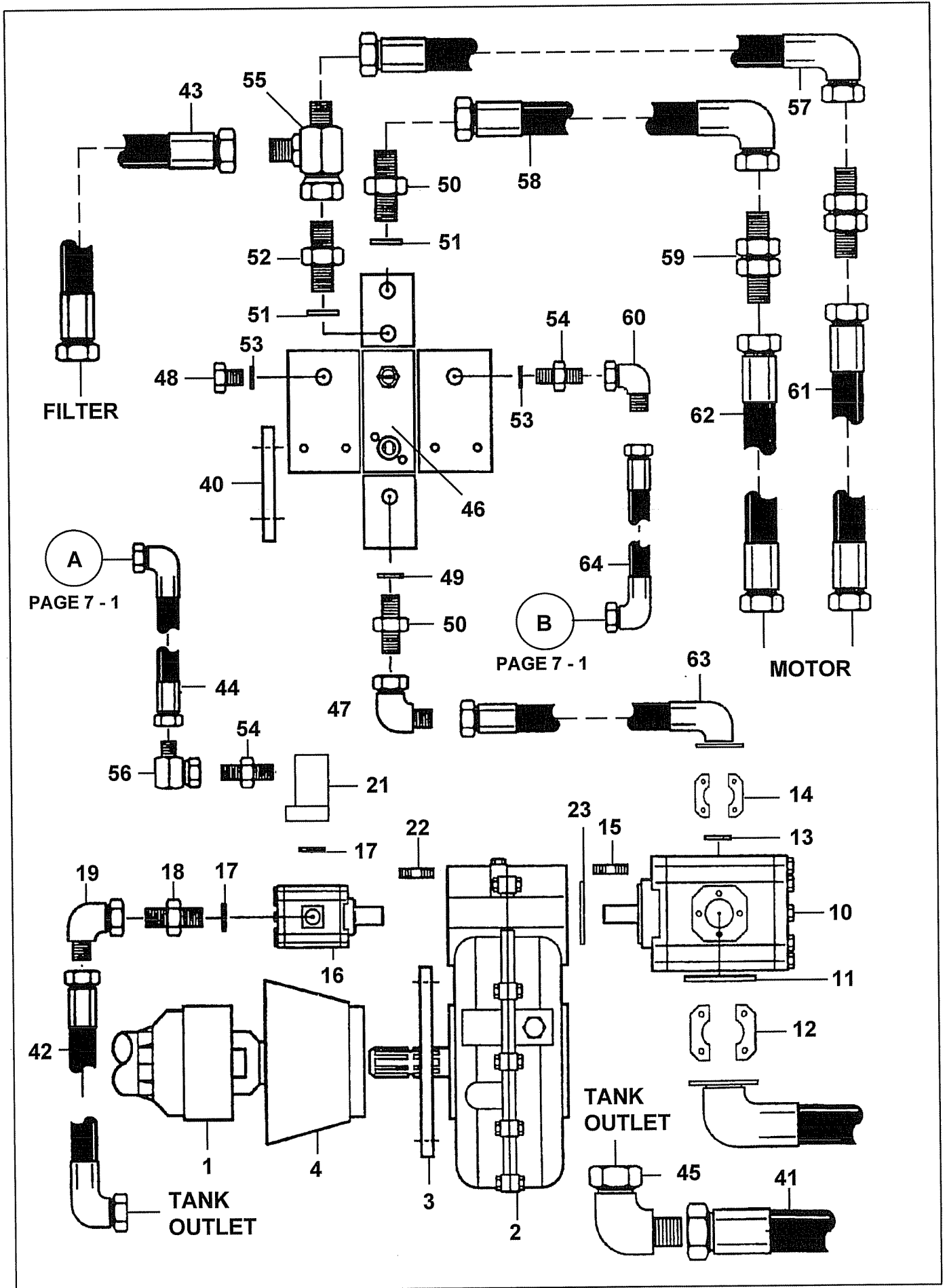


| REF | PART NO | DESCRIPTION | QTY |
|--|-----------|-------------------------------|-----|
| 76.324.02 1ST ARM/LINK ASSEMBLY | | | |
| *01 | 42338.01 | ARM - FIRST | 1 |
| 01 | 05.953.03 | GREASE NIPPLE M10 | 1 |
| 02 | 08.297.01 | BUSH - PLASTIC 60 X 50 X 50 | 2 |
| *03 | 03.655.16 | PIN - DIA 35 X 200 | 1 |
| 03 | 05.287.02 | SELF-LOCKING NUT M10 PLATED | 1 |
| 03 | 05.291.18 | BOLT M10 X 65 PLATED | 1 |
| *04 | 03.656.85 | PIN DIA 40 X 324 | 1 |
| 04 | 03.068.01 | SPECIAL SETSCREW M12 X 25 | 2 |
| 04 | 05.282.03 | SPRING WASHER 12MM PLATED | 2 |
| 04 | 05.287.02 | SELF-LOCKING NUT M10 PLATED | 1 |
| 04 | 05.292.11 | BOLT M10 X 80MM PLATED | 1 |
| 04 | 07.942.01 | WASHER - M12 SPECIAL | 2 |
| *05 | 04.282.69 | STUD - M10 X 105 | 3 |
| 05 | 05.281.02 | FLT WASHER 10MM PLATED FORM C | 3 |
| 05 | 05.282.02 | SPRING WASHER 10MM PLATED | 3 |
| 05 | 05.286.02 | NUT M10 PLATED | 3 |
| 06 | 06.430.18 | HOSE CLAMP-LOWER | 1 |
| 07 | 06.430.17 | HOSE CLAMP - UPPER | 1 |
| 08 | 42050.04 | HOSE GUARD - FIRST ARM | 1 |
| *09 | 42339.01 | LINK | 1 |
| 09 | 05.953.03 | GREASE NIPPLE M10 | 2 |
| 10 | 08.297.05 | PLASTIC BUSH - 42 X 35 - 30 | 4 |
| 11 | 06.430.02 | CLAMP HOSE 14 X 14 | 2 |
| *12 | 04.282.66 | STUD - M10 X 56 | 1 |
| 12 | 05.281.02 | FLT WASHER 10MM PLATED FORM C | 1 |
| 12 | 05.282.02 | SPRING WASHER 10MM PLATED | 1 |
| 12 | 05.286.02 | NUT M10 PLATED | 1 |
| 13 | 06.418.06 | CLAMP PLATE 48 X 6 | 1 |
| 15 | 43421.01 | BRACKET - HOSE CLAMP | 1 |
| 16 | 06.430.19 | HOSE CLAMP - LOWER HP HOSE | 2 |
| 17 | 04.418.05 | CLAMP PLATE 95 X 6 | 1 |

*MAIN PART IN GROUP, RELATED PARTS HAVE SAME REFERENCE NUMBER

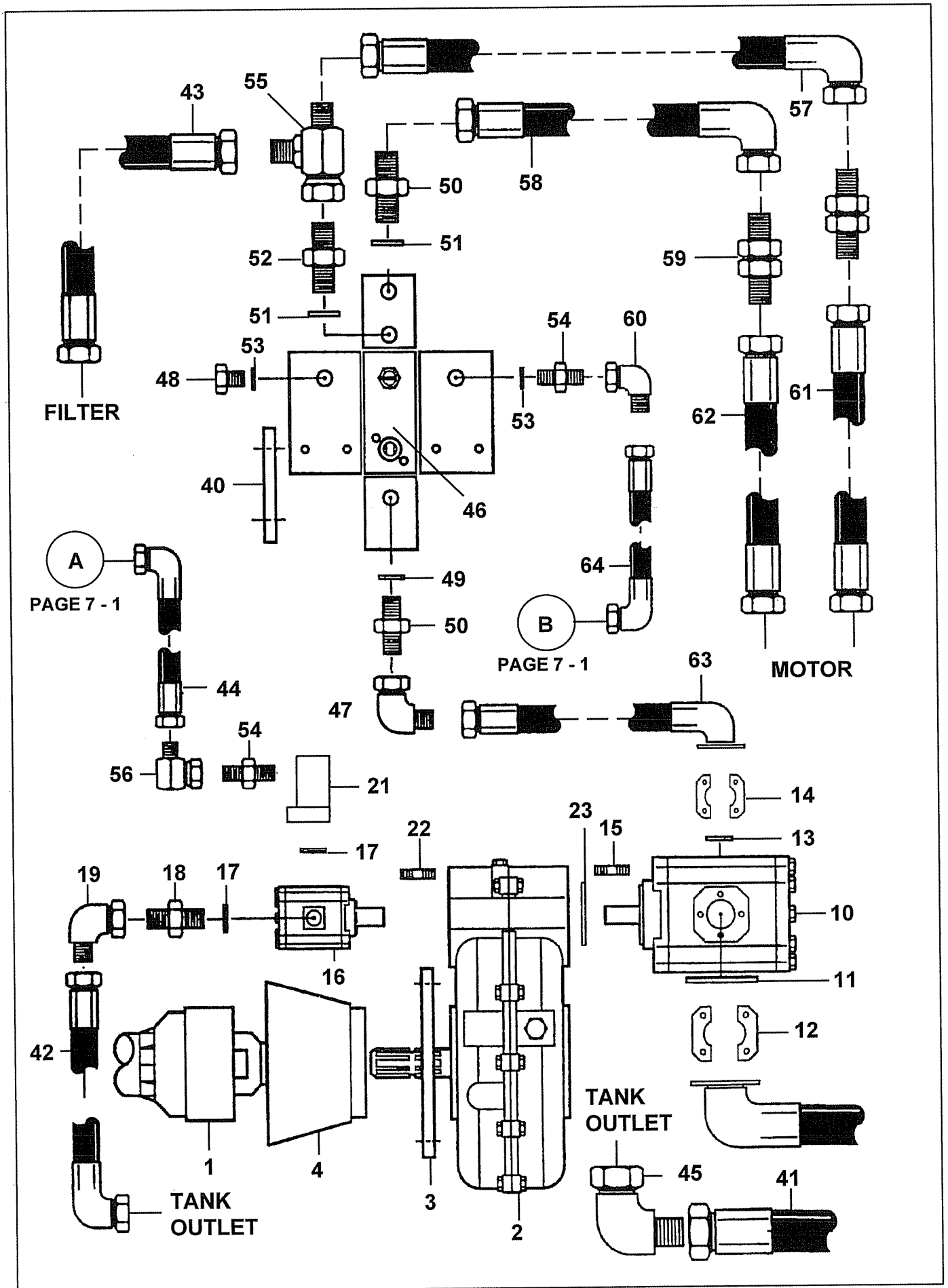
| REF | PART NO | DESCRIPTION | QTY |
|--|-----------|--------------------------------|-----|
| 76.326.02 2ND ARM ASSY - LH | | | |
| *30 | 42340.01 | ARM - SECOND LH | 1 |
| 30 | 05.953.04 | GREASE NIPPLE M10 90 DEG | 1 |
| 31 | 08.297.02 | BUSH - PLASTIC 47 X 40 X 40 | 4 |
| *32 | 03.655.39 | PIN DIA 35 X 292 | 1 |
| 32 | 05.287.02 | SELF-LOCKING NUT M10 PLATED | 1 |
| 32 | 05.291.18 | BOLT M10 X 65 PLATED | 1 |
| *33 | 03.653.58 | PIN - DIA 25 X 138 | 1 |
| 33 | 05.287.01 | SELF-LOCKING NUT M8 PLATED | 1 |
| 33 | 05.291.05 | BOLT M8 X 50MM PLATED | 1 |
| *34 | 04.282.69 | STUD - M10 X 105 | 2 |
| 34 | 05.281.02 | FLT WASHER 10MM PLATED FORM C | 2 |
| 34 | 05.282.02 | SPRING WASHER 10MM PLATED | 2 |
| 34 | 05.286.02 | NUT M10 PLATED | 2 |
| 35 | 06.430.18 | HOSE CLAMP-LOWER | 2 |
| 36 | 06.430.17 | HOSE CLAMP - UPPER | 2 |
| 37 | 42051.04 | HOSE GUARD - SECOND ARM | 1 |
| *38 | 03.654.60 | PIN - DIA 30 X 164 | 1 |
| 38 | 05.287.01 | SELF-LOCKING NUT M8 PLATED | 1 |
| 38 | 05.291.06 | BOLT M8 X 55MM PLATED | 1 |
| 76.676.01 COWL BRACKET & LINKAGE LH | | | |
| For machines up to serial number 1310L/00 | | | |
| 50 | 09.662.01 | BRACKET - COWL LH | 1 |
| *52 | 03.655.27 | PIN - DIA 35 X 184 | 1 |
| For machines from serial number 1311L/00 | | | |
| 50 | 43290.01 | BRACKET - COWL LH | 1 |
| 52 | 43292.01 | PIN 40 DIA X 252 | 1 |
| 52 | 05.282.02 | SPRING WASHER 10MM PLATED | 1 |
| 52 | 05.287.02 | SELF-LOCKING NUT M10 PLATED | 1 |
| 52 | 05.291.18 | BOLT M10 X 65 PLATED | 1 |
| *53 | 03.656.41 | PIN 40 DIA X 278 | 1 |
| 53 | 05.282.02 | SPRING WASHER 10MM PLATED | 1 |
| 53 | 05.286.02 | NUT M10 PLATED | 1 |
| 53 | 05.292.11 | BOLT M10 X 80MM PLATED | 1 |
| *54 | 09.664.01 | PLATE - COWL CLAMP | 1 |
| 54 | 05.264.37 | SETSCREW M16 X 50MM PLATED | 5 |
| 54 | 05.282.04 | SPRING WASHER 16MM PLATED | 5 |
| 54 | 05.286.04 | NUT M16 PLATED | 5 |
| *55 | 09.786.01 | LINK | 1 |
| 55 | 05.953.01 | GREASE NIPPLE M6 | 1 |
| 55 | 05.953.05 | GREASE NIPPLE M6 X 90DEG | 1 |
| *56 | 05.286.04 | NUT M16 PLATED | 1 |
| 56 | 05.282.04 | SPRING WASHER 16MM PLATED | 1 |
| 56 | 41.040.01 | BRACKET HOSE LH | 1 |
| *57 | 09.785.01 | BRACKET - COWL LINK | 1 |
| 57 | 05.953.03 | GREASE NIPPLE M10 | 1 |
| 58 | 08.297.05 | PLASTIC BUSH - 42 X 35 - 30 | 2 |
| *59 | 03.654.59 | PIN - DIA 30 X 128 | 1 |
| 59 | 05.287.01 | SELF-LOCKING NUT M8 PLATED | 1 |
| 59 | 05.625.30 | SOCKET CAPSCREW M8 X 55 PLATED | 1 |
| *60 | 03.653.59 | PIN - DIA 25 X 128 | 1 |
| 60 | 05.287.01 | SELF-LOCKING NUT M8 PLATED | 1 |
| 60 | 05.625.29 | SOCKET CAPSCREW M8 X 50 PLATED | 1 |

*MAIN PART IN GROUP, RELATED PARTS HAVE SAME REFERENCE NUMBER



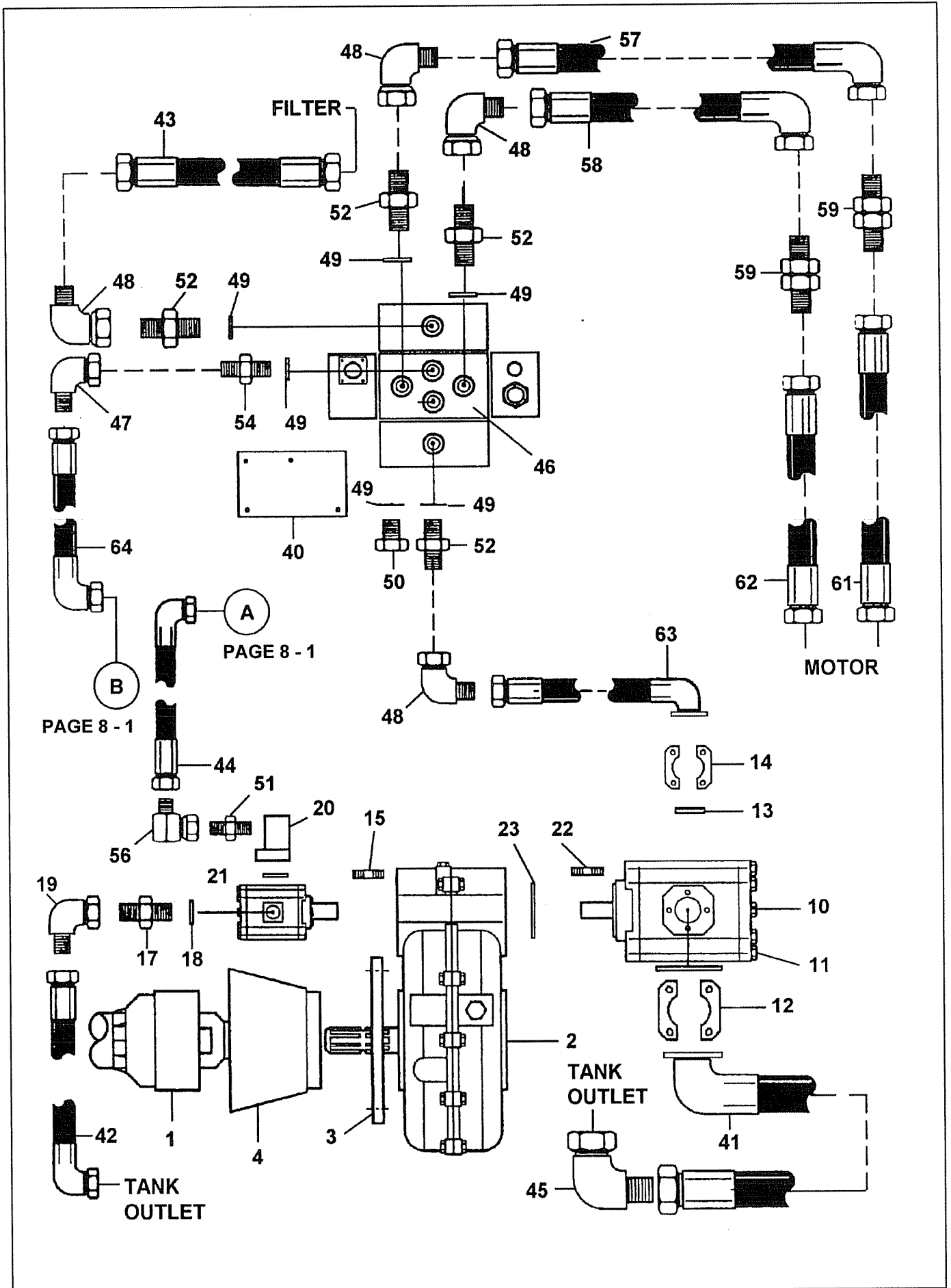
| REF | PART NO | DESCRIPTION | QTY |
|--|-----------|---------------------------------|-----|
| 76.290.01 PTO & GEARBOX ASSEMBLY | | | |
| *01 | 41624.01 | PTO SHAFT ASSY 560 MM C/C | 1 |
| 01 | 04.402.02 | P.T.O GUARD ASSY 560MM C/C | - |
| 01 | 06.154.13 | PTO JOURNAL BEARING KIT | - |
| 01 | 41624.31 | CROSS JOURNAL SET | - |
| 01 | 41624.32 | COMPLETE SHIELD | - |
| *02 | 07.727.02 | GEAR BOX HITON LS 3:1 SAE B/A | 1 |
| 02 | 05.264.23 | SETSCREW M12 X 30MM PLATED | 4 |
| 02 | 07.727.56 | 'O' RING | 1 |
| 03 | 05.264.25 | SETSCREW M12 X 40MM PLATED | 2 |
| *03 | 09.920.01 | PLATE - GEARBOX | 1 |
| 03 | 05.282.03 | SPRING WASHER 12MM PLATED | 6 |
| 03 | 05.286.03 | NUT M12 PLATED | 2 |
| *04 | 08.548.01 | GUARD - PLASTIC PTO CUP | 1 |
| 04 | 05.281.01 | FLAT WASHER 8MM PLATED | 2 |
| 04 | 05.282.01 | SPRING WASHER 8MM PLATED | 2 |
| 04 | 05.839.03 | SETSCREW M8 X 16MM PLATED | 2 |
| 76.415.01 PUMP ASSEMBLY-125L B49/54 TWIN PUMP | | | |
| 10 | 42233.01 | GEAR PUMP - 125L COMMERCIAL | 1 |
| 11 | 8600303 | O RING 200-225-4490 | 1 |
| *12 | 41.294.01 | SPLIT FLANGE 1.1/2"SAE 3000PSI | 1 |
| 12 | 0342104 | CAPSCREW 1/2"UNC 1.1/4"LGBZP | 4 |
| 13 | 8600124 | O RING 200-219-4490 | 1 |
| *14 | 01.697.03 | SPLIT FLANGE 1"SAE3000PSI | 1 |
| 14 | 0342103 | CAPCREW 3/8"UNC 1.1/4"LGBZP | 4 |
| *15 | 03.100.01 | STUD M10 X 34MM | 2 |
| 15 | 05.287.02 | SELF-LOCKING NUT M10 PLATED | 2 |
| 16 | 41904.02 | GEAR PUMP 10cc | 1 |
| 17 | 05.290.05 | BONDED SEAL 1/2"BSP | 2 |
| 18 | 30.059.84 | ADAPTOR 1/2 BSPM / 1 BSPM | 1 |
| 19 | 05.835.02 | ADAPTOR-SWIVEL 90 1"BSP M/F | 1 |
| 20 | 05.625.25 | SCKT CAPSCREW 5/16"UNC X 2.1/4 | 2 |
| *21 | 30.210.91 | CONNECTOR 1P E4Z OUT - PLATED | 1 |
| 21 | 30.210.92 | O RING 200-121-4490 | 1 |
| *22 | 04.282.74 | STUD - M12 X 46 | 2 |
| 22 | 05.281.03 | FLAT WASHER 12MM PLATED | 2 |
| 22 | 05.286.03 | NUT M12 PLATED | 2 |
| 23 | 7550316 | GASKET 100 OD X 55 ID X 1 THICK | 1 |

*MAIN PART IN GROUP, RELATED PARTS HAVE SAME REFERENCE NUMBER



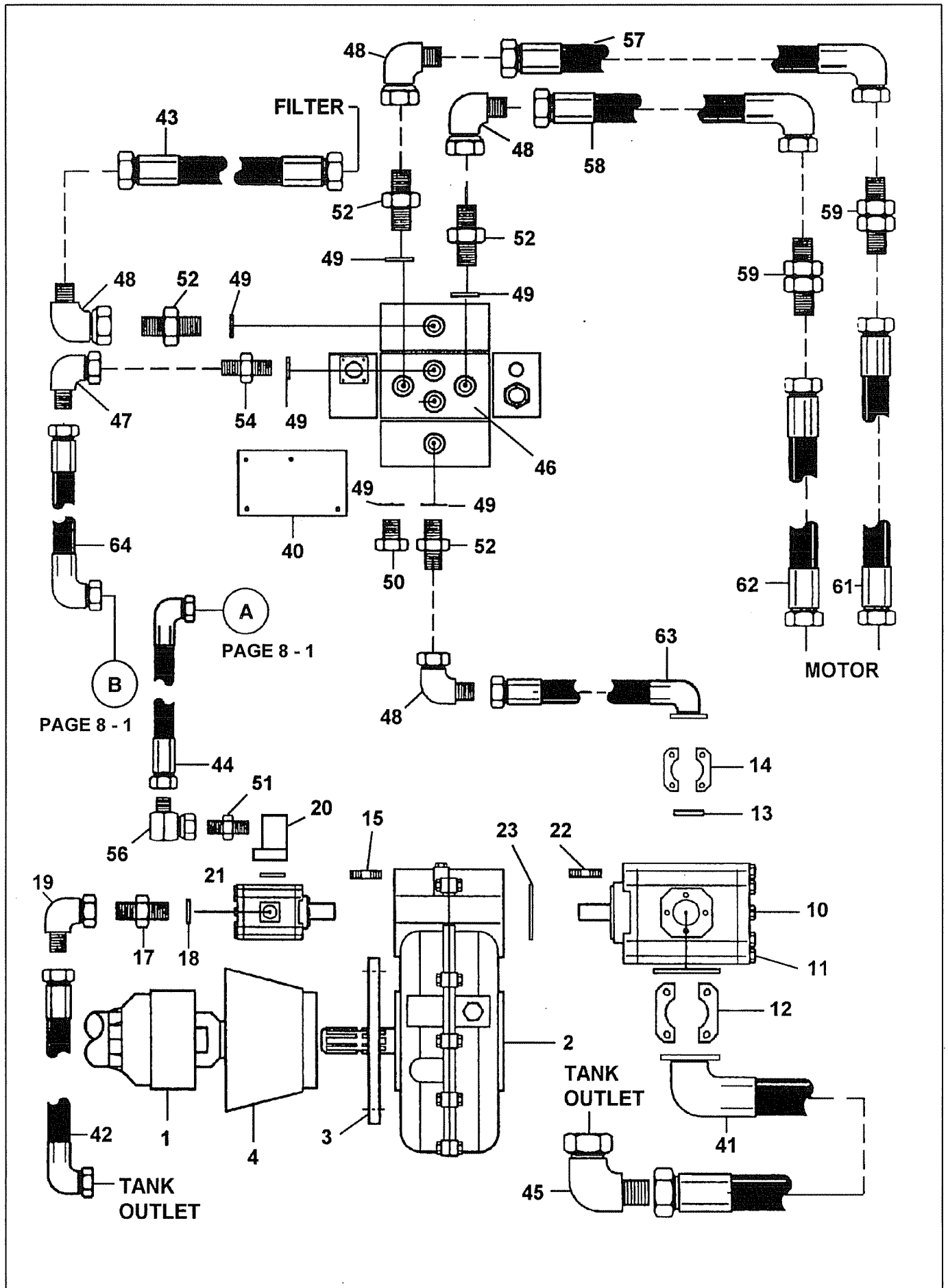
| REF | PART NO | DESCRIPTION | QTY |
|--|-----------|---|-----|
| 76.373.02 PUMP CIRCUIT B54MP TWP LH | | | |
| *40 | 09.921.01 | PLATE - DIVERTER VALVE | 1 |
| 40 | 05.264.24 | SETSCREW M12 X 35MM PLATED | 2 |
| 40 | 05.282.03 | SPRING WASHER 12MM PLATED | 2 |
| 41 | 10.024.10 | HOSE 1.5"BSP ST X 90 FLANGE 1100 | 1 |
| 42 | 10.012.13 | HOSE 1"BSP ST X 90 S.SEAL | 1 |
| 43 | 10.011.12 | HOSE 1" BSP ST/ST S.SEAL | 1 |
| 44 | 10.004.17 | HOSE 3/8"BSP ST X 90 S.SEAL | 1 |
| 45 | 05.835.10 | ADAPTOR 90 SWIVEL 1.1/2"BSP MF | 1 |
| *46 | 06.284.16 | CARTRIDGE | 1 |
| 46 | 05.281.01 | FLAT WASHER 8MM PLATED | 2 |
| 46 | 05.282.01 | SPRING WASHER 8MM PLATED | 2 |
| 46 | 05.291.07 | BOLT M8 X 60MM PLATED | 2 |
| 46 | 06.284.02 | SEAL KIT FOR (06.284.01) VALVE | - |
| 46 | 06.299.03 | RELIEF VALVE CARTRIDGE 207BAR | - |
| 47 | 05.835.02 | ADAPTOR-SWIVEL 90 1"BSP M/F | 1 |
| 48 | 05.433.01 | PLUG 3/8"BSP PLATED | 1 |
| 49 | 05.290.06 | BONDED SEAL 3/4"BSP | 2 |
| 50 | 05.373.01 | ADAPTOR 3/4"BSP X 1"BSP | 2 |
| 51 | 05.290.07 | BONDED SEAL 1"BSP | 1 |
| 52 | 05.434.01 | ADAPTOR 1"BSP X 1"BSP | 1 |
| 53 | 05.290.04 | BONDED SEAL 3/8"BSP | 2 |
| 54 | 05.123.01 | ADAPTOR 1/2" BSP X 3/8" BSP | 2 |
| 55 | 04.056.02 | ADAPTOR-SWIVEL TEE 1"BSP F/M/M | 1 |
| 56 | 05.835.01 | ADAPTOR-SWIVEL 90 3/8"BSP M/F | 1 |
| 57 | 10.012.93 | HOSE 1"BSP ST X 90 S.SEAL 8300 | 1 |
| 58 | 10.012.92 | HOSE 1"BSP ST X 90 S.SEAL 8200 | 1 |
| 59 | 08.128.03 | ADAPTR 1"BSP BULKHEAD C/W LNUT | 2 |
| 60 | 05.835.05 | ADAPTOR-SWIVEL 90 1/2"BSP M/F | 1 |
| 61 | 10.011.26 | HOSE 1"BSP ST X ST S.SEAL | 1 |
| 62 | 10.011.26 | HOSE 1"BSP ST X ST S.SEAL | 1 |
| 63 | 10.022.28 | HOSE 1"BSP ST X 90 FLANGE | 1 |
| 64 | 10.006.10 | HOSE 1/2"BSP ST X 90 S.SEAL | 1 |
| | 41.277.08 | HOSE SLEEVE 1ST/2ND ARM PIVOT (NOT ILLUSTRATED) | |
| | 41.277.03 | HOSE SLEEVE COWL PIVOT (NOT ILLUSTRATED) | |

*MAIN PART IN GROUP, RELATED PARTS HAVE SAME REFERENCE NUMBER



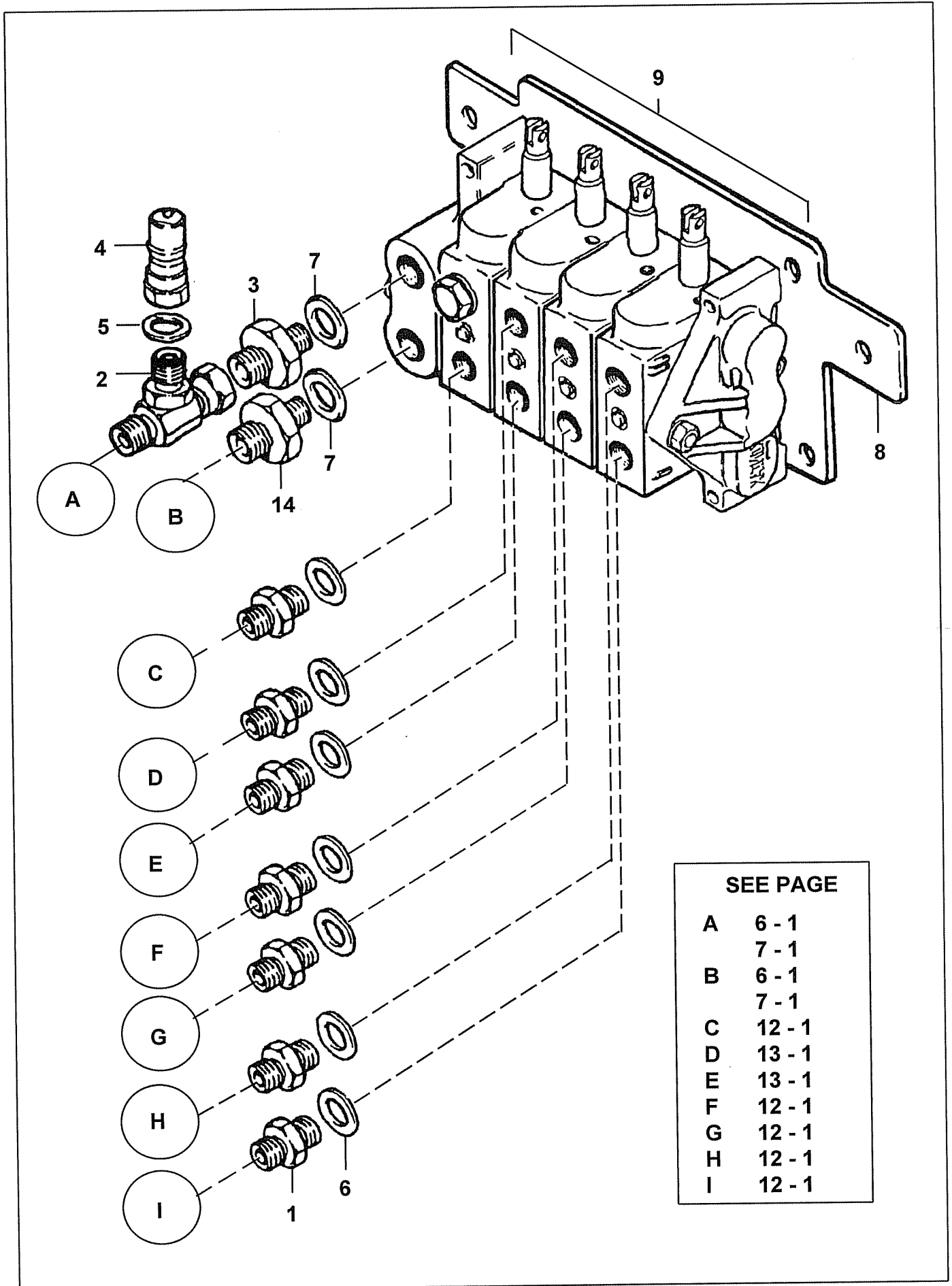
| REF | PART NO | DESCRIPTION | QTY |
|--|-----------|---------------------------------|-----|
| 76.290.01 PTO & GEARBOX ASSEMBLY | | | |
| *01 | 41624.01 | PTO SHAFT ASSY 560 MM C/C | 1 |
| 01 | 04.402.02 | P.T.O GUARD ASSY 560MM C/C | - |
| 01 | 06.154.13 | PTO JOURNAL BEARING KIT | - |
| 01 | 41624.31 | CROSS JOURNAL SET | - |
| 01 | 41624.32 | COMPLETE SHIELD | - |
| *02 | 07.727.02 | GEAR BOX HITON LS 3:1 SAE B/A | 1 |
| 02 | 05.264.23 | SETSCREW M12 X 30MM PLATED | 4 |
| 02 | 07.727.56 | 'O' RING | 1 |
| 03 | 05.264.25 | SETSCREW M12 X 40MM PLATED | 2 |
| *03 | 09.920.01 | PLATE - GEARBOX | 1 |
| 03 | 05.282.03 | SPRING WASHER 12MM PLATED | 6 |
| 03 | 05.286.03 | NUT M12 PLATED | 2 |
| *04 | 08.548.01 | GUARD - PLASTIC PTO CUP | 1 |
| 04 | 05.281.01 | FLAT WASHER 8MM PLATED | 2 |
| 04 | 05.282.01 | SPRING WASHER 8MM PLATED | 2 |
| 04 | 05.839.03 | SETSCREW M8 X 16MM PLATED | 2 |
| 76.415.01 PUMP ASSEMBLY-125L B49/54 TWIN PUMP | | | |
| 10 | 42233.01 | GEAR PUMP - 125L COMMERCIAL | 1 |
| 11 | 8600303 | O RING 200-225-4490 | 1 |
| *12 | 41.294.01 | SPLIT FLANGE 1.1/2"SAE 3000PSI | 1 |
| 12 | 0342104 | CAPSCREW 1/2"UNC 1.1/4"LGBZP | 4 |
| 13 | 8600124 | O RING 200-219-4490 | 1 |
| *14 | 01.697.03 | SPLIT FLANGE 1"SAE3000PSI | 1 |
| 14 | 0342103 | CAPCREW 3/8"UNC 1.1/4"LGBZP | 4 |
| *15 | 03.100.01 | STUD M10 X 34MM | 2 |
| 15 | 05.287.02 | SELF-LOCKING NUT M10 PLATED | 2 |
| 16 | 41904.02 | GEAR PUMP 10cc | 1 |
| 17 | 05.290.05 | BONDED SEAL 1/2"BSP | 2 |
| 18 | 30.059.84 | ADAPTOR 1/2 BSPM / 1 BSPM | 1 |
| 19 | 05.835.02 | ADAPTOR-SWIVEL 90 1"BSP M/F | 1 |
| 20 | 05.625.25 | SCKT CAPSCREW 5/16"UNC X 2.1/4 | 2 |
| *21 | 30.210.91 | CONNECTOR 1P E4Z OUT - PLATED | 1 |
| 21 | 30.210.92 | O RING 200-121-4490 | 1 |
| *22 | 04.282.74 | STUD - M12 X 46 | 2 |
| 22 | 05.281.03 | FLAT WASHER 12MM PLATED | 2 |
| 22 | 05.286.03 | NUT M12 PLATED | 2 |
| 23 | 7550316 | GASKET 100 OD X 55 ID X 1 THICK | 1 |

*MAIN PART IN GROUP, RELATED PARTS HAVE SAME REFERENCE NUMBER



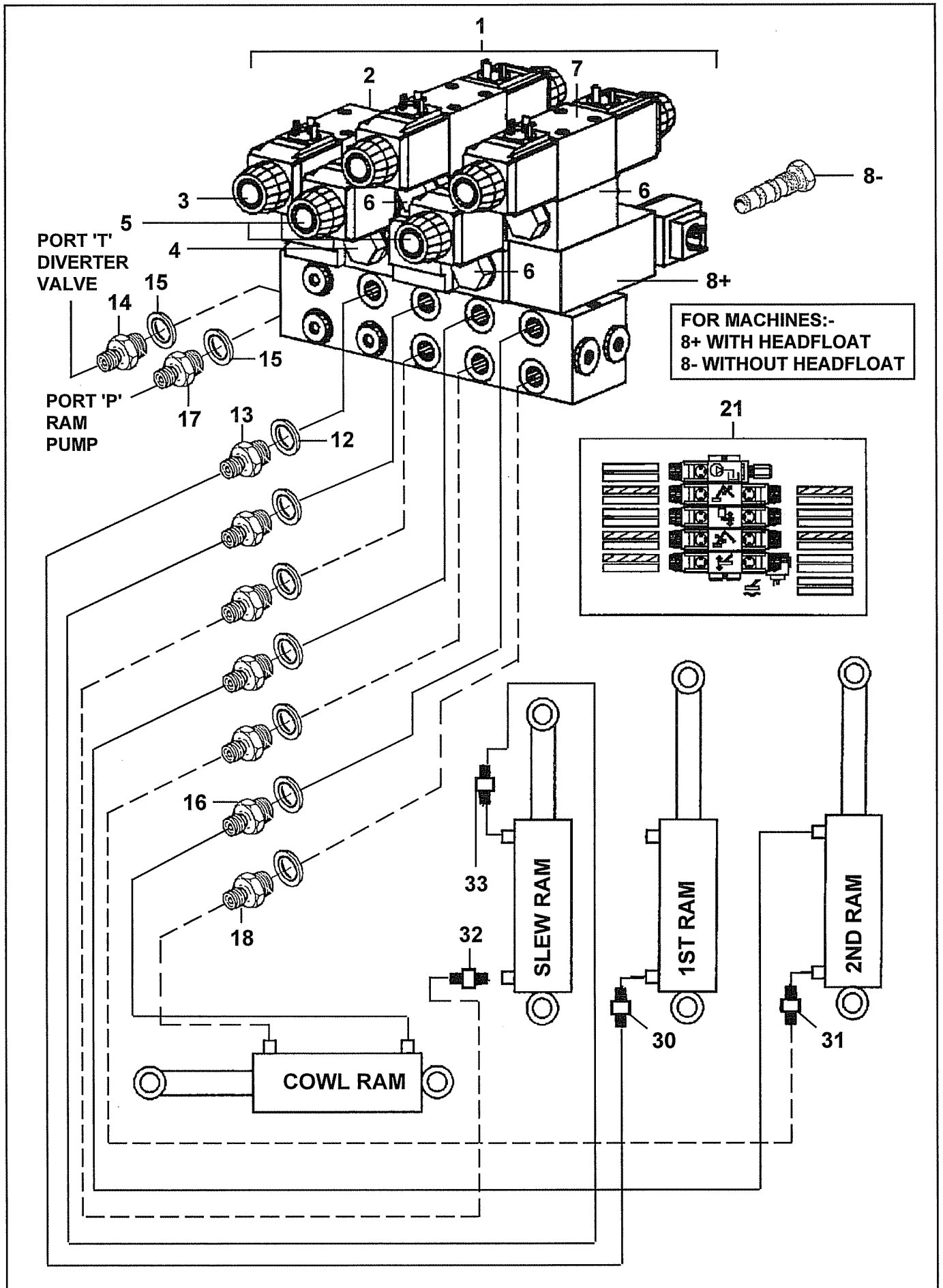
| REF | PART NO. | DESCRIPTION | QTY |
|-----------------------------------|--------------------|---|-----|
| 76.373.06 PUMP CIRCUIT B54 | | | |
| 40 | 05.264.21 | SETSCREW M12 X 20MM PLATED | 2 |
| 40 | 05.282.03 | SPRING WASHER 12MM PLATED | 2 |
| *40 | 09.922.03 | PLATE - DSR VALVE | 1 |
| 41 | 10.024.04] RH M/Cs | HOSE 1.5"BSP ST/90 FLANGE 600 | 1 |
| 42 | 10.012.15] | HOSE 1"BSP ST X 90 S.SEAL 750 | 1 |
| 41 | 10.024.10) LH M/Cs | HOSE 1.5"BSP ST/90 FLANGE 1100 | 1 |
| 42 | 10.012.13) | HOSE 1"BSP ST X 90 S.SEAL 650 | 1 |
| 43 | 10.011.12 | HOSE 1"BSP ST/ST S.SEAL 600 | 1 |
| 44 | 10.004.17 | HOSE 3/8" ST X 90 S.SEAL 850 | 1 |
| *45 | 05.835.10 | ADAPTOR 90 SWIVEL 1.1/2"BSP MF | 1 |
| 46 | 05.281.02 | FLAT WASHER PLATED 10MM | 2 |
| 46 | 05.282.02 | SPRING WASHER PLATED 10MM | 2 |
| 46 | 05.264.13 | BOLT PLATED M10 X 30MM | 2 |
| *46 | 8125355 | ROTOR CONTROL VALVE LH | 1 |
| 46 | 8125385 | ROTOR CONTROL VALVE RH | 1 |
| 46 | 8125107 | RELIEF VALVE CARTRIDGE 210 BAR | 1 |
| 46 | 9343033 | CAPSCREW - SOCKET HEADED | 2 |
| 47 | 05.835.05 | ADAPTOR - SWIVEL 90 1/2"BSP M/F | 1 |
| 48 | 30.052.66 | ADAPTOR SWIVEL 1"BSP M/F SWEPT | 4 |
| 49 | 05.290.06 | BONDED SEAL 3/4"BSP | 6 |
| 50 | 05.313.01 | BLANKING PLUG 3/4" BSP | 1 |
| 51 | 05.123.01 | ADAPTOR 1/2" BSP X 3/8" BSP | 1 |
| 52 | 05.373.01 | ADAPTOR 3/4"BSP X 1"BSP | 4 |
| 54 | 05.376.01 | ADAPTOR 1/2"BSP X 3/4"BSP | 1 |
| 56 | 05.835.01 | ADAPTOR - SWIVEL 90 3/8"BSP M/F | 1 |
| 57 | 10.012.85 | HOSE 1"BSP ST X 90 S.SEAL 7500 | 1 |
| 58 | 10.012.84 | HOSE 1"BSP ST/90 S.SEAL 7400 | 1 |
| 59 | 08.128.03 | ADAPTOR 1"BSP BULKHEAD C/W LNUT | 2 |
| 61 | 10.011.26) LH M/Cs | HOSE 1"BSP ST X ST S.SEAL 1600 | 1 |
| 62 | 10.011.26) | HOSE 1"BSP ST X ST S.SEAL 1600 | 1 |
| 61 | 10.011.22] RH M/Cs | HOSE 1"BSP ST X ST S.SEAL 1200 | 1 |
| 61 | 10.011.22] | HOSE 1"BSP ST X ST S.SEAL 1200 | 1 |
| 63 | 10.022.29] | HOSE 1"BSP ST X 90 FLANGE 420 | 1 |
| 63 | 10.022.28 LH M/Cs | HOSE 1"BSP ST X 90 FLANGE 550 | 1 |
| 64 | 10.006.10 | HOSE 1/2"BSP ST X 90 S.SEAL 500 | 1 |
| | 41.277.08 | HOSE SLEEVE 1ST/2ND ARM PIVOT (NOT ILLUSTRATED) | |
| | 41.277.03 | HOSE SLEEVE COWL PIVOT (NOT ILLUSTRATED) | |

***MAIN PART IN GROUP, RELATED PARTS HAVE SAME REFERENCE NUMBER**



| REF | PART NO | DESCRIPTION | QTY |
|---|-----------|-----------------------------------|-----|
| 76.031.01 CONTROL VALVE ASSY-CABLE | | | |
| 01 | 01.099.03 | ADAPTOR 1/2BSP X 1/4BSP | 7 |
| 02 | 04.056.16 | ADAPTOR F/M/M 3/8 X 3/8 X 1/4 BSP | 1 |
| 03 | 05.128.01 | ADAPTOR 3/4" BSP X 3/8" BSP | 1 |
| 04 | 05.146.12 | Q/R COUPLING 1/4" BSP MALE | 1 |
| 05 | 05.290.02 | BONDED SEAL 1/4"BSP | 1 |
| 06 | 05.290.05 | BONDED SEAL 1/2"BSP | 7 |
| 07 | 05.290.06 | BONDED SEAL 3/4"BSP | 2 |
| *08 | 09.680.01 | PLATE - VALVE MOUNTING | 1 |
| 08 | 05.264.23 | SETSCREW M12 X 30MM PLATED | 2 |
| 08 | 05.282.03 | SPRING WASHER 12MM PLATED | 2 |
| *09 | 41335.02 | VALVE ASSY-4 SPOOL | 1 |
| 09 | 05.286.02 | NUT M10 PLATED | 3 |
| 09 | 0342061 | SKT CAPSCREW 1/4"UNC X 3/4" BZP | 8 |
| 09 | 05.282.02 | SPRING WASHER 10MM PLATED | 3 |
| 09 | 05.291.18 | BOLT M10 X 65 PLATED | 3 |
| 14 | 05.376.01 | ADAPTOR 3/4"BSP X 1/2"BSP | 1 |

*MAIN PART IN GROUP, RELATED PARTS HAVE SAME REFERENCE NUMBER



| REF | PART NO | DESCRIPTION | QTY |
|--|-----------|----------------------------------|-----|
| 76.427.03/76.427.10 EPPII 4SV - HF VALVE ASSEMBLY | | | |
| *01 | 41784.05 | CONTROL VALVE 4 SERVICE | 1 |
| 01 | 05.282.09 | SPRING WASHER 5MM PLATED | 4 |
| 01 | 30.073.93 | SCREW M5 X 16MM 8.8 GRADE | 4 |
| 02 | 41784.37 | RELIEF VALVE CARTRIDGE 207 BAR | - |
| 03 | 08.852.51 | CETOP 3 VENT VALVE | - |
| 04 | 08.852.55 | CETOP 3 SINGLE PO CHECK VALVE | - |
| 05 | 41784.31 | SPOOL VALVE PROPORTIONAL | - |
| 06 | 08.852.53 | CETOP 3 DUAL PO CHECK VALVE | - |
| 07 | 08.852.52 | CETOP 3 MOTOR SPOOL VALVE | - |
| -08 | 41784.38 | BLANKING PLUG | - |
| 09 | 41784.39 | RELIEF VALVE CARTRIDGE 136BAR | - |
| 12 | 05.290.04 | BONDED SEAL 3/8"BSP | 7 |
| 13 | 01.099.01 | ADAPTOR 3/8BSP X1/4BSP | 5 |
| 14 | 05.122.01 | ADAPTOR 1/2" BSP X 1/2" BSP | 1 |
| 15 | 05.290.05 | BONDED SEAL 1/2"BSP | 2 |
| 16 | 07.605.01 | RESTRICTOR 3/8" X 1/4"BSP 1.00MM | 1 |
| 17 | 05.123.01 | ADAPTOR 1/2" BSP X 3/8" BSP | 1 |
| 18 | 07.605.01 | RESTRICTOR 3/8 X 3/8BSP 1.00MM | 1 |
| 20 | 08.852.54 | CETOP 3 HALF MOTOR SPOOL VALVE | - |
| 21 | 41814.02 | DECAL - 4 SERVICE | 1 |
| 30 | 03.028.12 | RESTRICTOR 3/8" X 1/4" | 1 |
| 31 | 03.028.12 | RESTRICTOR 3/8" X 1/4" | 1 |
| 32 | 03.028.08 | RESTRICTOR 3/8" X 1/4" BSP 1.27 | 1 |
| 33 | 03.028.14 | RESTRICTOR 3/8" X 1/4" BSP 0.75 | 1 |

FOR MACHINES WITH HEAD FLOAT

| | | | |
|-----|----------|--------------------------------------|---|
| 01 | 41784.02 | CONTROL VALVE PROPORTIONAL 4 SERVICE | 1 |
| +08 | 41784.33 | VALVE CARTRIDGE - HEAD FLOAT | - |

- **For machines without head float**

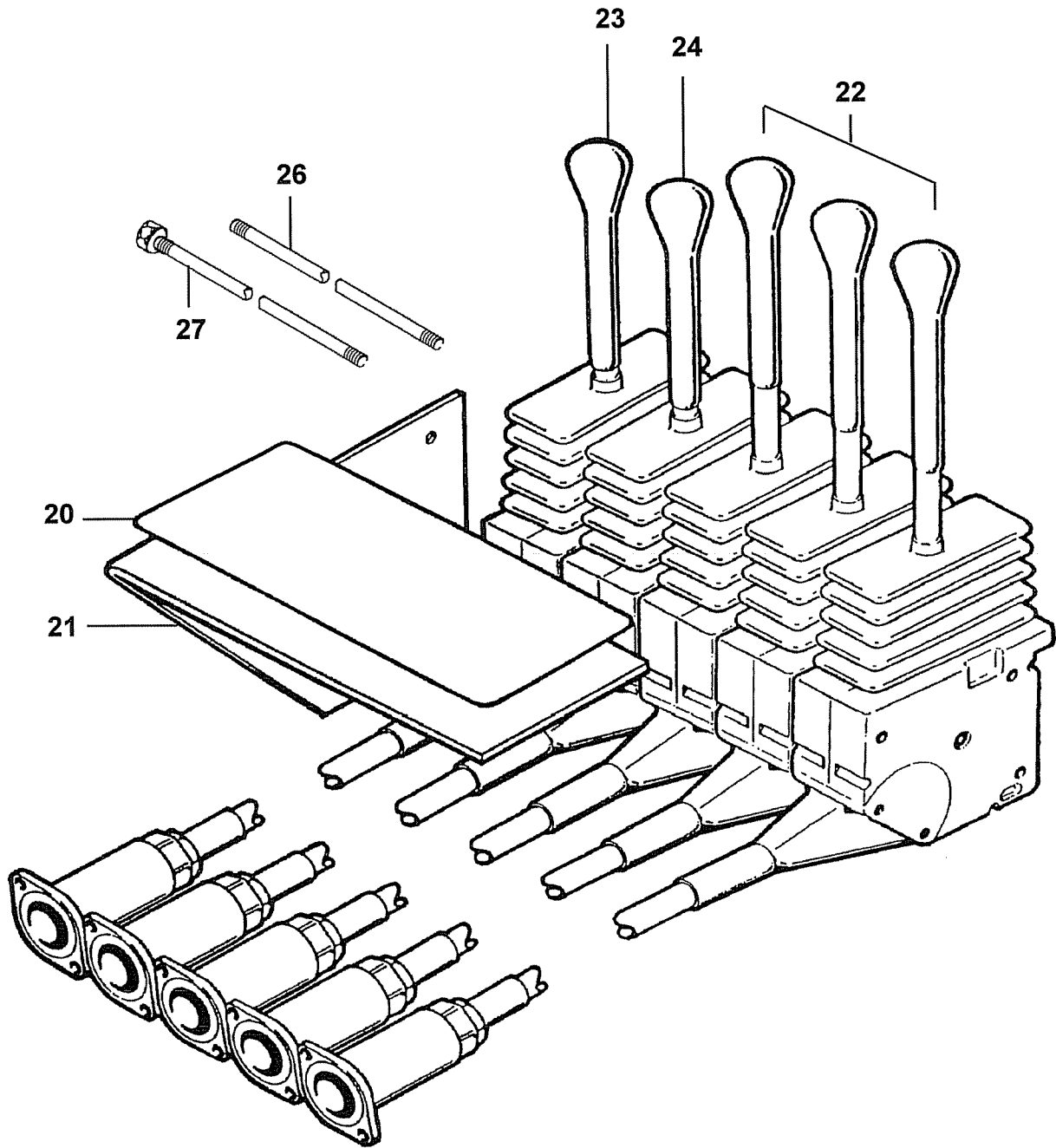
+ **For machines with head float**

76.427.10 EPPII B49/54/58T CONTROL VALVE INSTALLATION ASSY LH/RH

| | | | | |
|-----|-----------|---------------------------|----|---|
| 10 | 41.050.01 | PLATE - VALVE MOUNTING | NI | 1 |
| *11 | 09.750.01 | VALVE COVER LH | NI | 1 |
| 11 | 09.750.02 | VALVE COVER RH | NI | 1 |
| 11 | 05.264.01 | SETSCREW M8 X 20MM PLATED | | 4 |
| 11 | 05.281.01 | FLAT WASHER 8MM PLATED | | 4 |
| 11 | 05.282.01 | SPRING WASHER 8MM PLATED | | 4 |

NI = Not illustrated

***MAIN PART IN GROUP, RELATED PARTS HAVE SAME REFERENCE NUMBER**

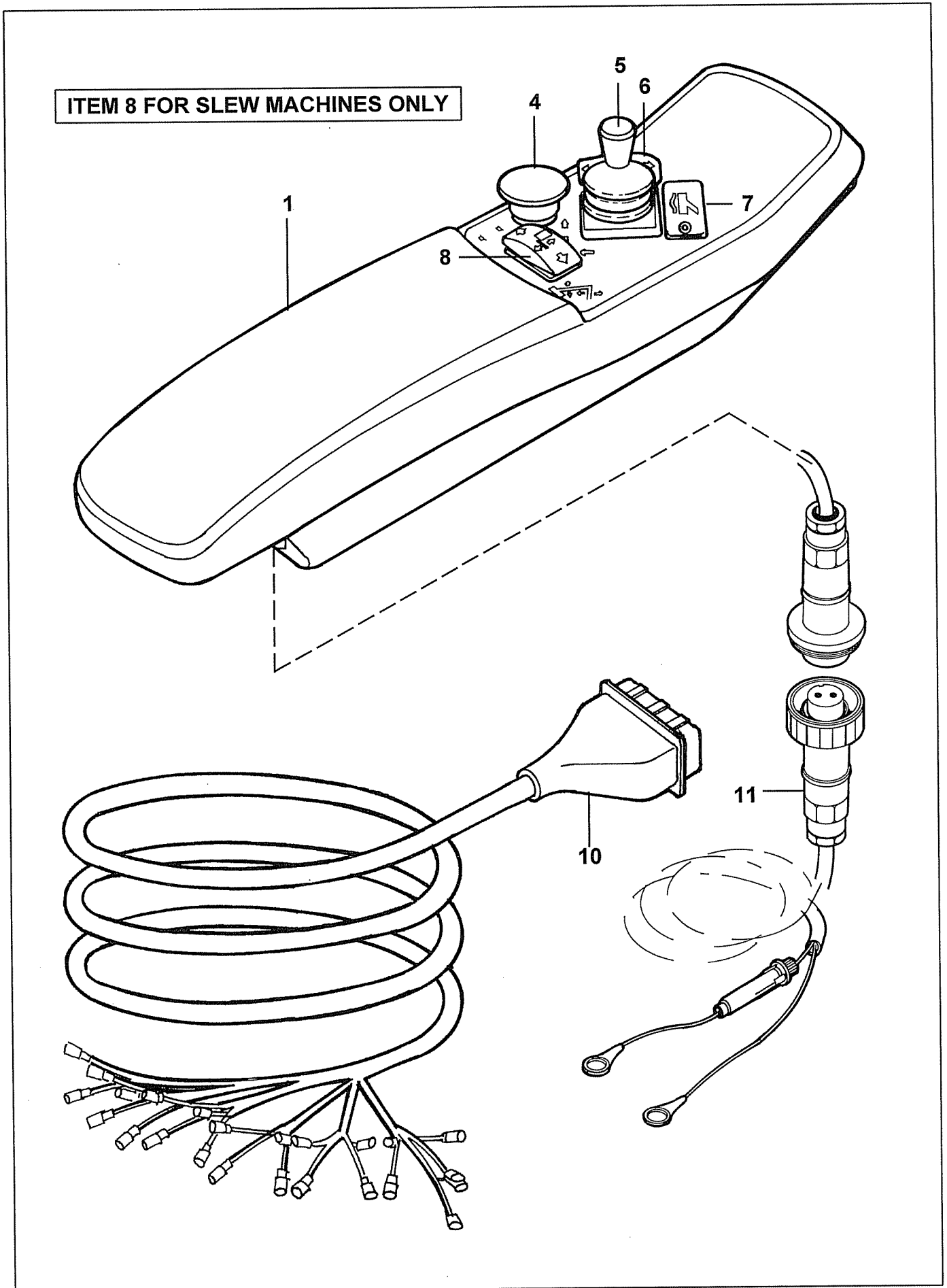


ITEM 24 FOR SLEW MACHINES ONLY

| REF | PART NO | DESCRIPTION | QTY |
|---|-----------|--------------------------------|-----|
| 76.375.02 CABLE ASSY-TMC LH SLEW | | | |
| 20 | 09.916.23 | DECAL - LEVER OP. 5 LEVER LH | 1 |
| 20 | 09.916.24 | DECAL - LEVER OP. 5 LEVER rH | 1 |
| *21 | 09.969.01 | BRACKET-5 LEVER MOUNTING LH | 1 |
| 21 | 09.969.02 | BRACKET-5 LEVER MOUNTING RH | 1 |
| 21 | 05.948.07 | WING NUT M8 - PLATED | 2 |
| 22 | 09.968.01 | CABLE ASSY TMC-2.5M BLK LF | 3 |
| 23 | 09.968.03 | CABLE ASSY TMC - 3.0M RED SHRT | 1 |
| +23 | 09.968.05 | CABLE ASSY TMC - 3.0M RED SHRT | 1 |
| 24 | 09.968.02 | CABLE ASSY TMC - 2.5M BLK LF | 1 |
| *26 | 04.282.71 | STUD - M6 X 233 PLATED | 3 |
| 26 | 05.281.10 | FLAT WASHER 6MM PLATED | 3 |
| 26 | 05.282.07 | SPRING WASHER 6MM PLATED | 3 |
| 26 | 05.286.10 | NUT M6 PLATED | 6 |
| +27 | 30.068.90 | BOLT M6 X 55MM 8.8 GRADE Z/P | 2 |
| +27 | 05.282.07 | SPRING WASHER 6MM PLATED | 2 |
| +27 | 05.286.10 | NUT M6 PLATED | 2 |

+ DSR Machines only

***MAIN PART IN GROUP, RELATED PARTS HAVE SAME REFERENCE NUMBER**

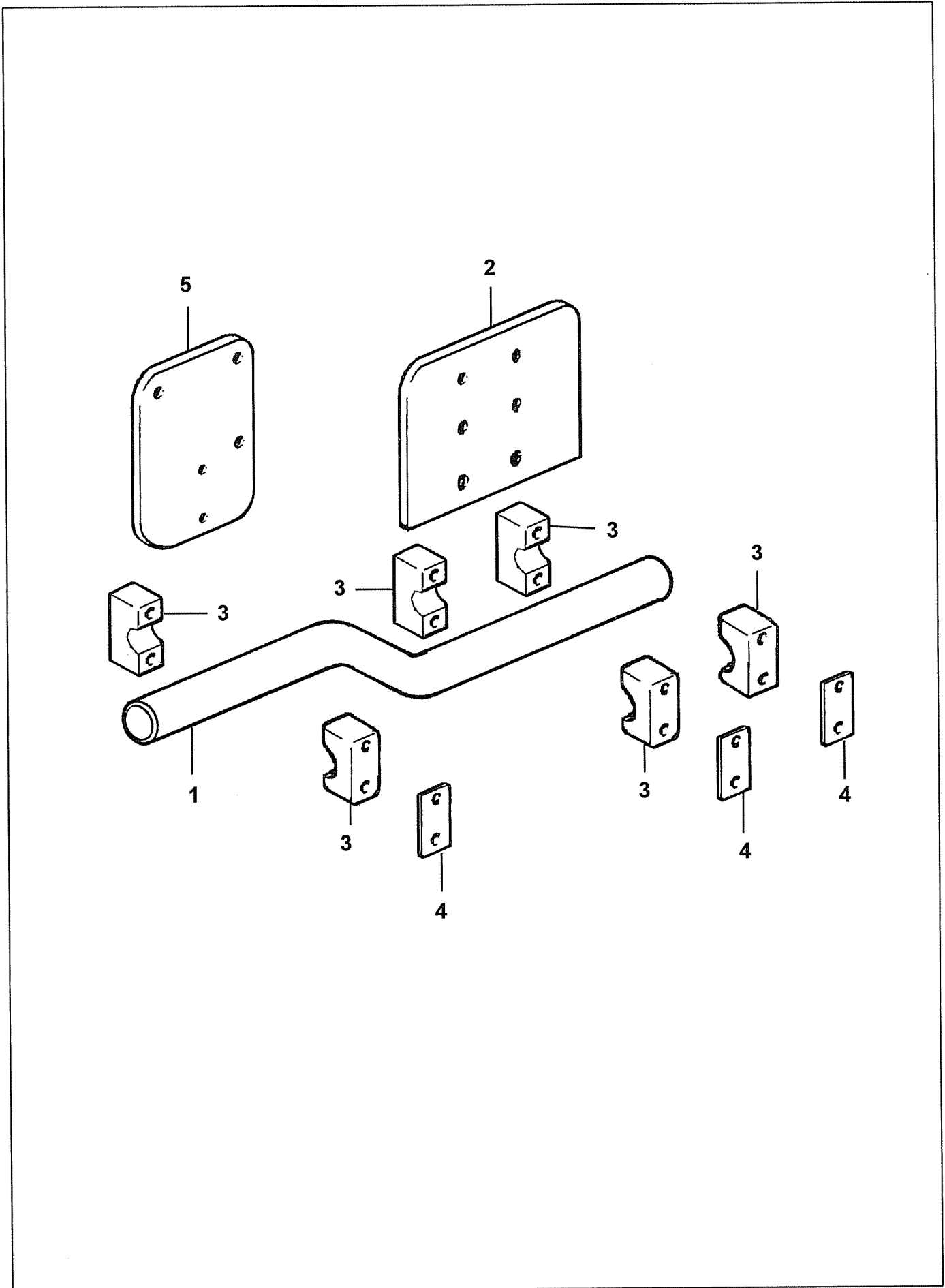


| REF | PART NO | DESCRIPTION | QTY |
|---|-----------|----------------------------|-----|
| 76.426.01 EPP II REMOTE CONTROL ASSY LH/RH - 3 SERVICE/4 SERVICE | | | |
| *01 | 42226.01 | CONTROL BOX 3 SERVICE LH | 1 |
| 01 | 42226.02 | CONTROL BOX 3 SERVICE RH | 1 |
| ⊗01 | 42226.03 | CONTROL BOX 4 SERVICE LH | 1 |
| ⊗01 | 42226.04 | CONTROL BOX 4 SERVICE RH | 1 |
| *02 | 42226.96 | DECAL SET EPPII LH | NI |
| 02 | 42226.95 | DECAL SET EPPII RH | NI |
| 03 | 42226.94 | MAIN PCB ASSY EPPII | NI |
| 04 | 41786.33 | STOP SWITCH | - |
| 05 | 41786.34 | JOYSTICK ASSY | - |
| 06 | 41786.35 | SWITCH ASSY COWL | - |
| ⊗08 | 41786.36 | SWITCH ASSY SLEW | - |
| 10 | 42197.11 | WIRE LOOM | 1 |
| 11 | 08.987.01 | CABLE ASSY - 2 CORE X 5.5M | 1 |
| FOR MACHINES WITH HEAD FLOAT | | | |
| *01 | 42226.11 | CONTROL BOX 3 SERVICE LH | 1 |
| 01 | 42226.12 | CONTROL BOX 3 SERVICE RH | 1 |
| 01 | 42226.13 | CONTROL BOX 4 SERVICE LH | 1 |
| 01 | 42226.14 | CONTROL BOX 4 SERVICE RH | 1 |
| 07 | 41786.38 | SWITCH ASSY HEAD FLOAT | - |

⊗ = *For slew machines only*

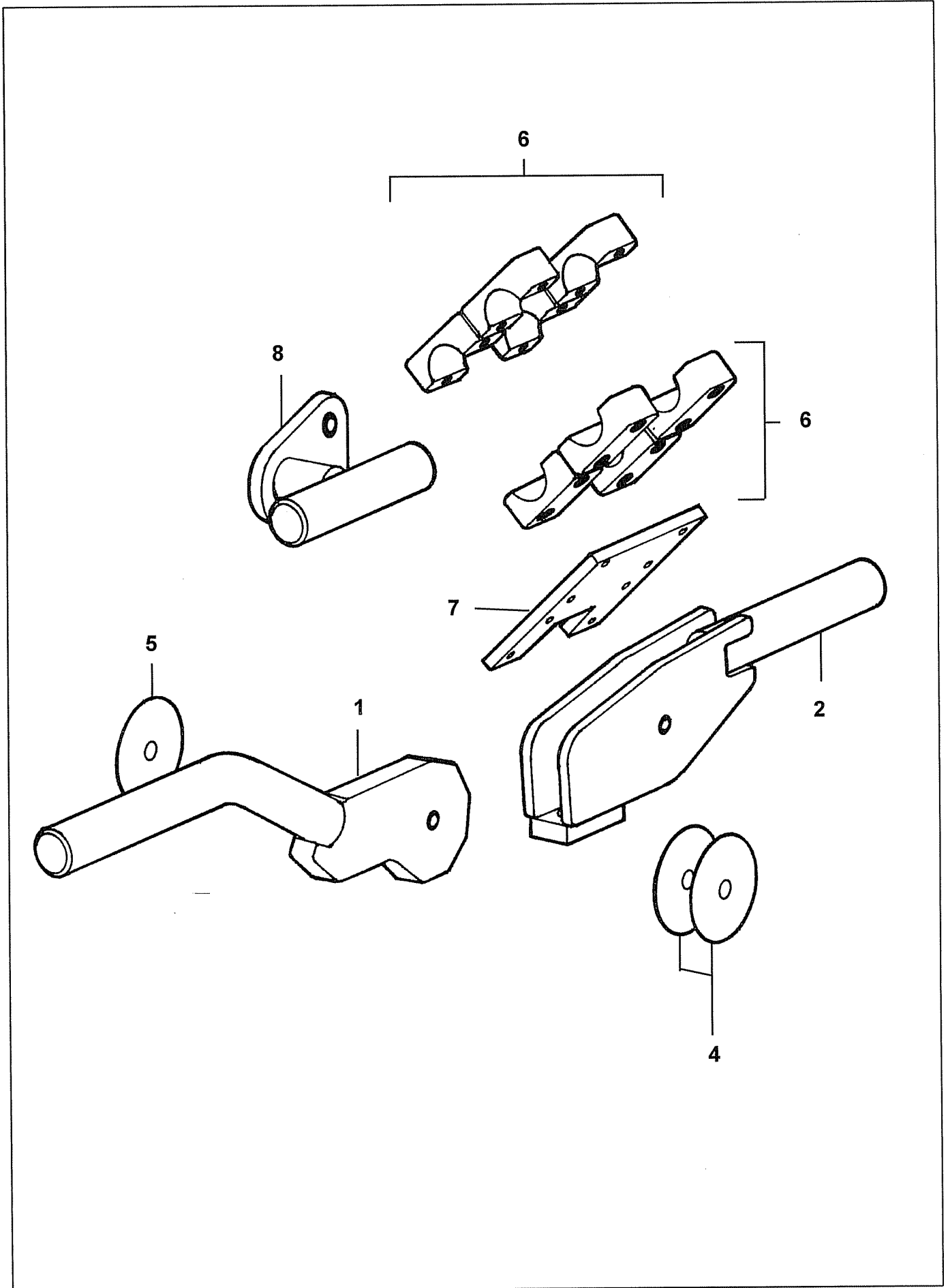
NI = *Not illustrated*

*MAIN PART IN GROUP, RELATED PARTS HAVE SAME REFERENCE NUMBER



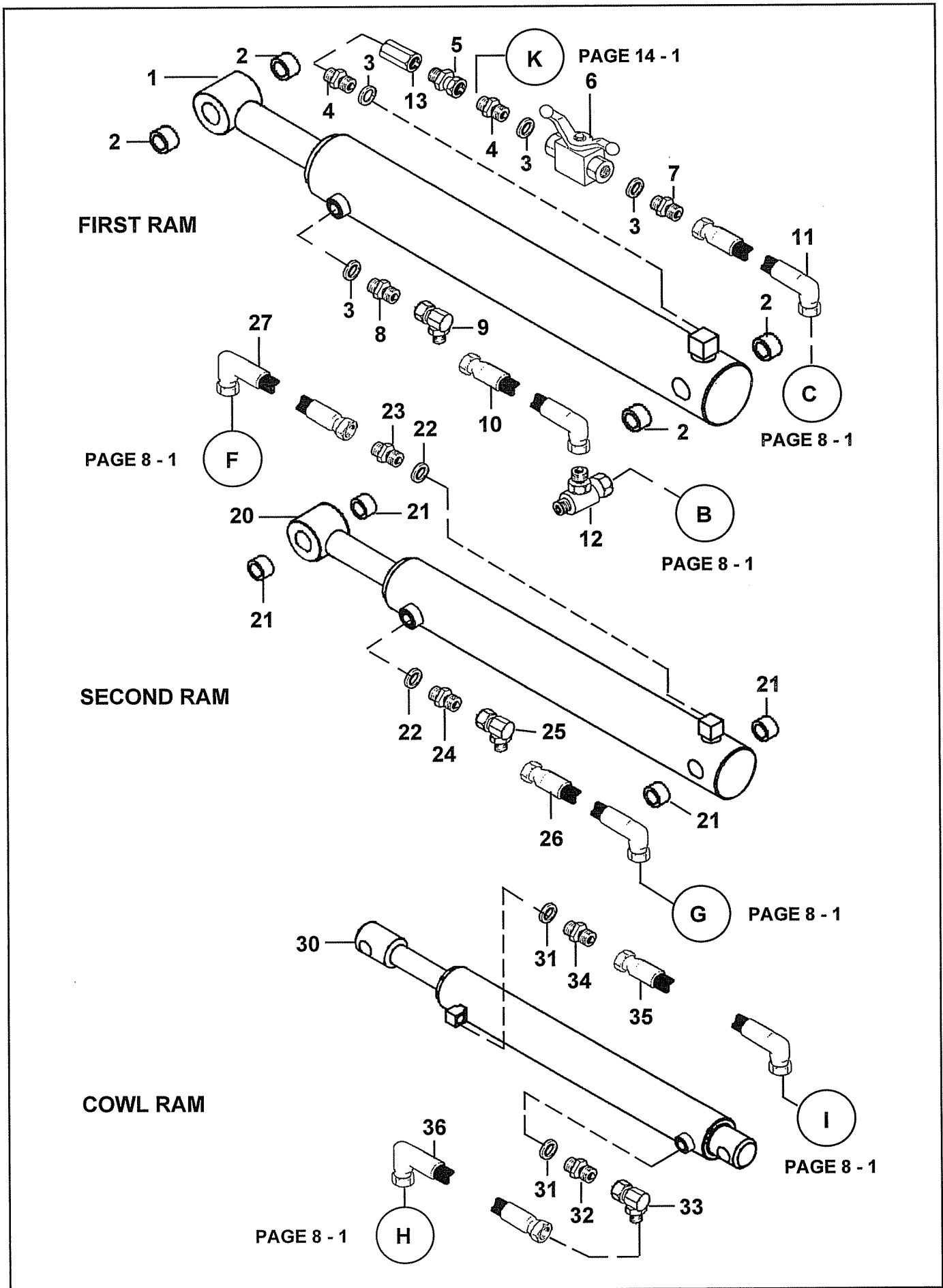
| REF | PART NO | DESCRIPTION | QTY |
|---|-----------|--------------------------------|-----|
| 76.426.23 EPPII REMOTE CONTROL ASSEMBLY CAB SIDE MOUNT | | | |
| 01 | 42312.01 | BRACKET - CAB MOUNTING | 1 |
| *02 | 08.317.01 | PLATE - CONTROL BOX | 1 |
| 02 | 05.264.02 | SETSCREW M8 X 25MM PLATED | 2 |
| 02 | 05.281.01 | FLAT WASHER 8MM PLATED | 2 |
| 02 | 05.282.01 | SPRING WASHER 8MM PLATED | 2 |
| 02 | 05.948.07 | WING NUT M8 - PLATED | 2 |
| *03 | 30.209.71 | CLAMP SINGLE 1" | 6 |
| 03 | 30.068.90 | BOLT M6 X 55 MM 8.8 GRADE Z/P. | 4 |
| 03 | 30.070.64 | NUT NYLOC M6.Z/P. | 6 |
| 04 | 30.209.73 | COVER PLATE | 3 |
| *05 | 41.046.01 | PLATE - LEVER MOUNTING | 1 |
| 05 | 05.282.07 | SPRING WASHER 6MM PLATED | 3 |
| 05 | 05.948.37 | WINGNUT - M6 X 1.0 | 3 |
| 05 | 30.068.88 | BOLT M6 X 45 MM 8.8 GRADE Z/P. | 2 |
| 05 | 30.068.90 | BOLT M6 X 55 MM 8.8 GRADE Z/P. | 3 |

*MAIN PART IN GROUP, RELATED PARTS HAVE SAME REFERENCE NUMBER



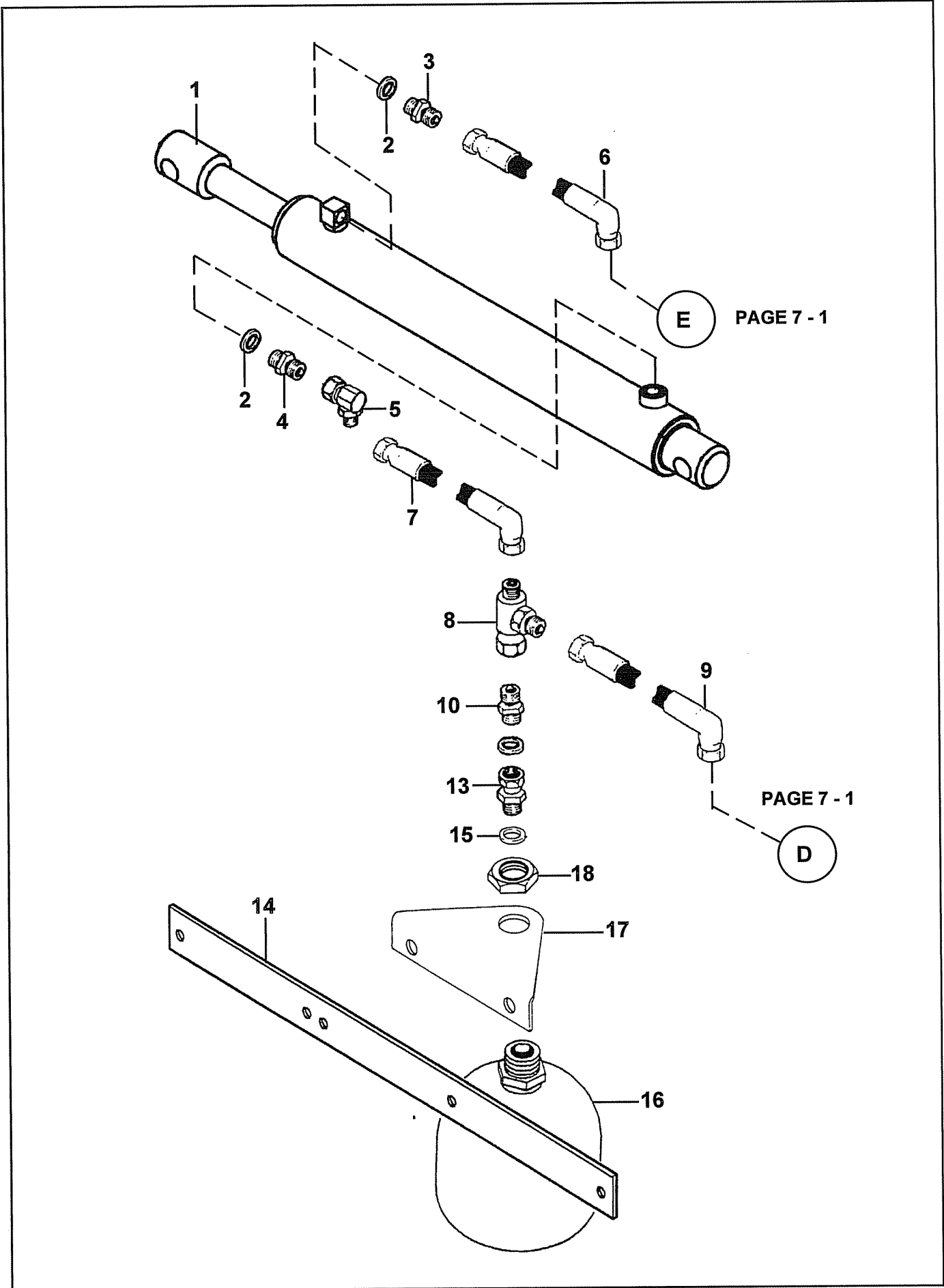
| REF | PART NO | DESCRIPTION | QTY |
|--|-----------|---------------------------------|-----|
| 76.426.22 EPPII REMOTE CONTROL ASSY CAB SEAT MOUNTING | | | |
| 01 | 42310.01 | BRACKET - SEAT INNER HINGE | 1 |
| *02 | 42311.01 | BRACKET - SEAT HINGE OUTER | 1 |
| 02 | 05.281.01 | FLAT WASHER 8MM PLATED | 2 |
| 02 | 05.282.01 | SPRING WASHER 8MM PLATED | 1 |
| 02 | 05.286.01 | NUT M8 PLATED | 1 |
| 02 | 05.291.04 | BOLT M8 X 45MM PLATED | 1 |
| *03 | 05.264.51 | SETSCREW M10 X 65MM PLATED | 1 |
| 03 | 05.286.02 | NUT M10 PLATED | 2 |
| 04 | 09.996.01 | SHIM 0.5 | 2 |
| 05 | 09.996.02 | SHIM 1.0 | 1 |
| *06 | 30.209.71 | CLAMP SINGLE 1" | 8 |
| 06 | 05.625.16 | SOCKET CAP SCREW M6 X 35 COARSE | 8 |
| 07 | 42264.01 | PLATE - UNIVERSAL SEAT MTG | 1 |
| 08 | 42307.01 | BRACKET - KAB SEAT | 1 |

***MAIN PART IN GROUP, RELATED PARTS HAVE SAME REFERENCE NUMBER**



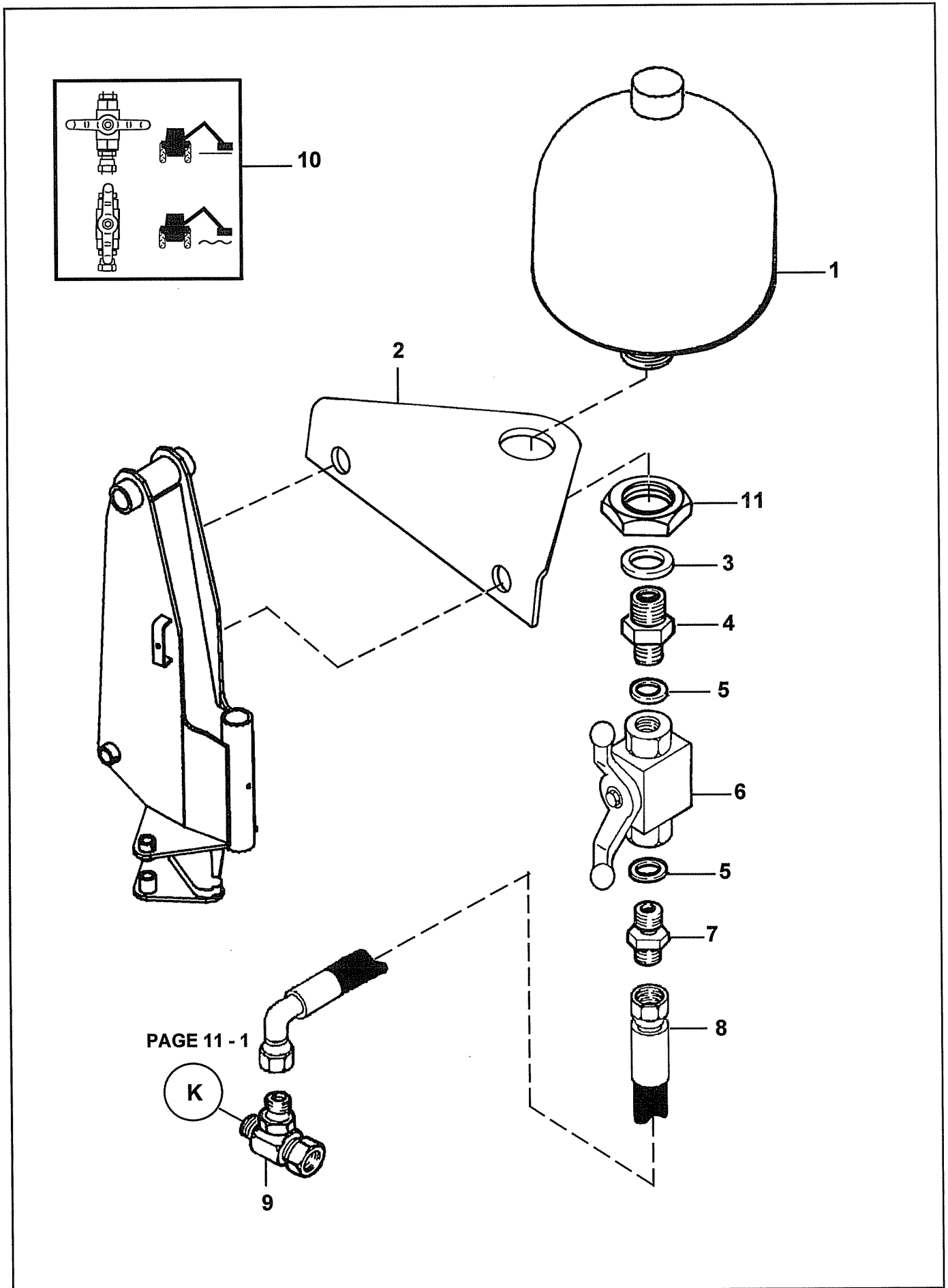
| REF | PART NO | DESCRIPTION | QTY |
|---|-----------|----------------------------------|-----|
| 76.325.01/02 - RAM CIRCUIT - 1ST | | | |
| *01 | 09.993.07 | RAM ASSY-D/A 80 BORE X 410 STRK | 1 |
| 01 | 05.953.03 | GREASE NIPPLE M10 | 2 |
| 01 | 09.993.01 | SEAL KIT FOR 09.993.XX RAMS | - |
| 02 | 08.297.05 | PLASTIC BUSH - 42 X 35 - 30 | 4 |
| 03 | 05.290.04 | BONDED SEAL 3/8"BSP | 4 |
| 04 | 05.124.01 | ADAPTOR 3/8" BSP X 3/8" BSP | 2 |
| 05 | 02.714.01 | ADAPTOR-SWIVEL ST 3/8BSP M/F | 1 |
| 06 | 08.200.01 | VALVE - ISOLATING 3/8" BSP | 1 |
| 07 | 01.099.01 | ADAPTOR 3/8BSP X1/4BSP | 1 |
| 07 | 03.028.12 | RESTRICTOR 3/8" X 1/4" BSP 1.7 | 1 |
| 08 | 01.099.01 | ADAPTOR 3/8BSP X1/4BSP | 1 |
| 09 | 05.835.04 | ADAPTOR - SWIVEL 90 1/4"BSP MF | 1 |
| 10 | 10.002.41 | HOSE 1/4"BSP ST X 90 S.SEAL 3100 | 1 |
| 11 | 10.002.40 | HOSE 1/4"BSP 90 X ST S.SEAL 3000 | 1 |
| 12 | 04.056.25 | ADAPTOR T FMM 1/2" X 1/2" X 1/4" | 1 |
| 13 | 08.128.17 | ADAPTOR - EXT FEMALE 3/8" X 3/8" | 1 |
| 76.321.01 RAM CIRCUIT - 2ND | | | |
| *20 | 09.993.07 | RAM ASSY-D/A 80 BORE X 410 STRK | 1 |
| 20 | 05.953.03 | GREASE NIPPLE M10 | 2 |
| 20 | 09.993.01 | SEAL KIT FOR 09.993.XX RAMS | - |
| 21 | 08.297.05 | PLASTIC BUSH - 42 X 35 - 30 | 4 |
| 22 | 05.290.04 | BONDED SEAL 3/8"BSP | 2 |
| 23 | 03.028.08 | RESTRICTOR 3/8" X 1/4"BSP 1.27 | 1 |
| 24 | 03.028.12 | RESTRICTOR 3/8" X 1/4BSP 1.70 | 1 |
| 25 | 05.835.04 | ADAPTOR - SWIVEL 90 1/4"BSP MF | 1 |
| 26 | 10.002.57 | HOSE 1/4"BSP ST X 90 S.SEAL 4700 | 1 |
| 27 | 10.002.56 | HOSE 1/4"BSP ST X 90 S.SEAL 4600 | 1 |
| 76.371.02 RAM CIRCUIT - COWL | | | |
| *30 | 09.982.06 | RAM ASSY - D/A 60 BORE X 430 STK | 1 |
| 30 | 09.982.01 | SEAL KIT FOR 09.982.XX RAMS | - |
| 31 | 05.290.04 | BONDED SEAL 3/8"BSP | 2 |
| 32 | 03.028.08 | RESTRICTOR 3/8" X 1/4"BSP 1.27 | 1 |
| 33 | 05.835.04 | ADAPTOR - SWIVEL 90 1/4"BSP MF | 1 |
| 34 | 03.028.08 | RESTRICTOR 3/8" X 1/4"BSP 1.27 | 1 |
| 35 | 10.002.84 | HOSE 1/4"BSP ST X 90 S.SEAL 7400 | 1 |
| 36 | 10.002.84 | HOSE 1/4"BSP ST X 90 S.SEAL 7400 | 1 |

*MAIN PART IN GROUP, RELATED PARTS HAVE SAME REFERENCE NUMBER



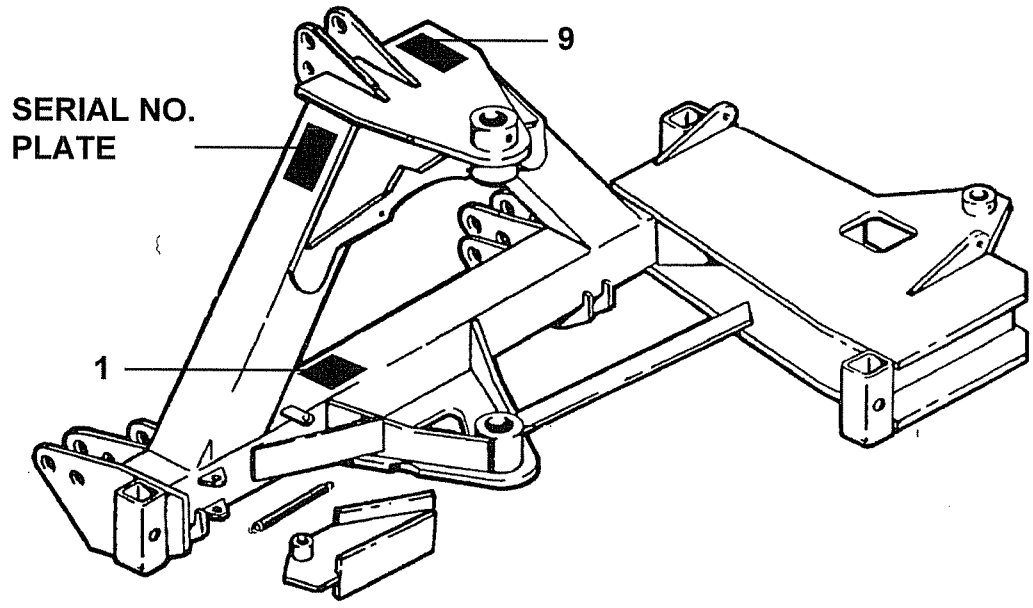
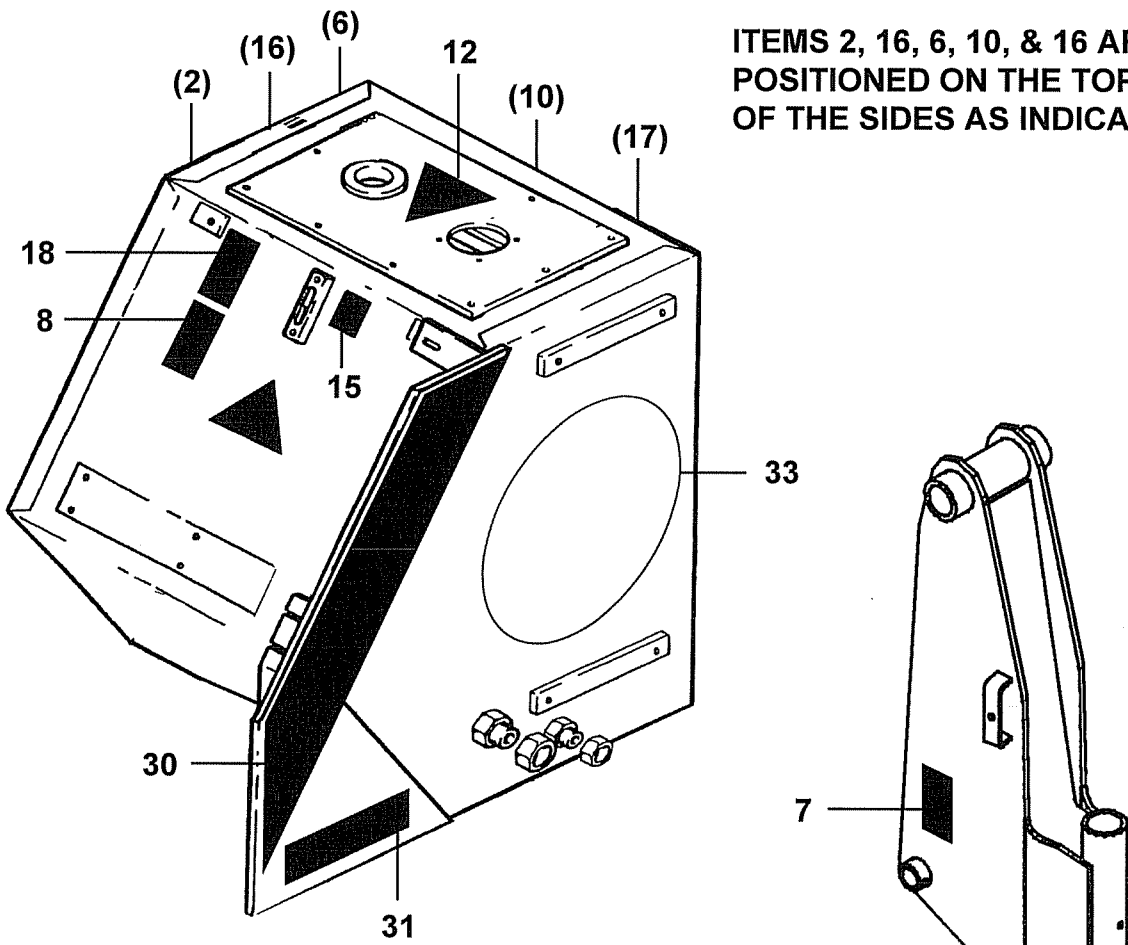
| REF | PART NO | DESCRIPTION | QTY |
|-------------------------------------|-----------|----------------------------------|-----|
| 74.662.01 RAM CIRCUIT - SLEW | | | |
| *01 | 09.982.02 | RAM ASSY - D/A 60 BORE X 430ST | 1 |
| 01 | 05.953.01 | GREASE NIPPLE M6 | 2 |
| 01 | 09.982.01 | SEAL KIT FOR 09.982.XX RAMS | - |
| 02 | 05.290.04 | BONDED SEAL 3/8"BSP | 3 |
| 03 | 03.028.16 | RESTRICTOR 3/8" X 1/4"BSP 1.00MM | 1 |
| 04 | 03.028.12 | RESTRICTOR 3/8" X 1/4"BSP 1.70MM | 1 |
| 05 | 10.002.24 | HOSE 1/4"BSP ST X 90 S.SEAL 1400 | 1 |
| 06 | 10.002.22 | HOSE 1/4"BSP ST X 90 S.SEAL 1200 | 1 |
| 07 | 10.002.10 | HOSE 1/4"BSP ST X 90 S.SEAL 500 | 1 |
| 08 | 04.056.10 | ADAPTOR - TEE 1/4"BSP F/M/M | 1 |
| 10 | 03.028.08 | RESTRICTOR 3/8" X 1/4"BSP 1.27 | 1 |
| 13 | 8581284 | ADAPTOR M22 X 3/8"BSP MF | 1 |
| *14 | 09.961.01 | HYDRA CUSHION MOUNTING BRACKET | 1 |
| 14 | 05.264.21 | SETSCREW M12 X 20MM PLATED | 2 |
| 14 | 05.282.03 | SPRING WASHER 12MM PLATED | 2 |
| 15 | 8650322 | M22 BONDED SEAL | 1 |
| 16 | 8126043 | ACCUMULATOR 1.4LT - 90 BAR | 1 |
| *17 | 43237.01 | BRACKET - HYDRA CUSHION | 1 |
| 17 | 05.264.14 | SETSCREW M10 X 35MM PLATED | 2 |
| 17 | 05.287.02 | SELF-LOCKING NUT M10 PLATED | 2 |
| 18 | 8126035 | NUT, M33 BULKHEAD | 1 |

*MAIN PART IN GROUP, RELATED PARTS HAVE SAME REFERENCE NUMBER

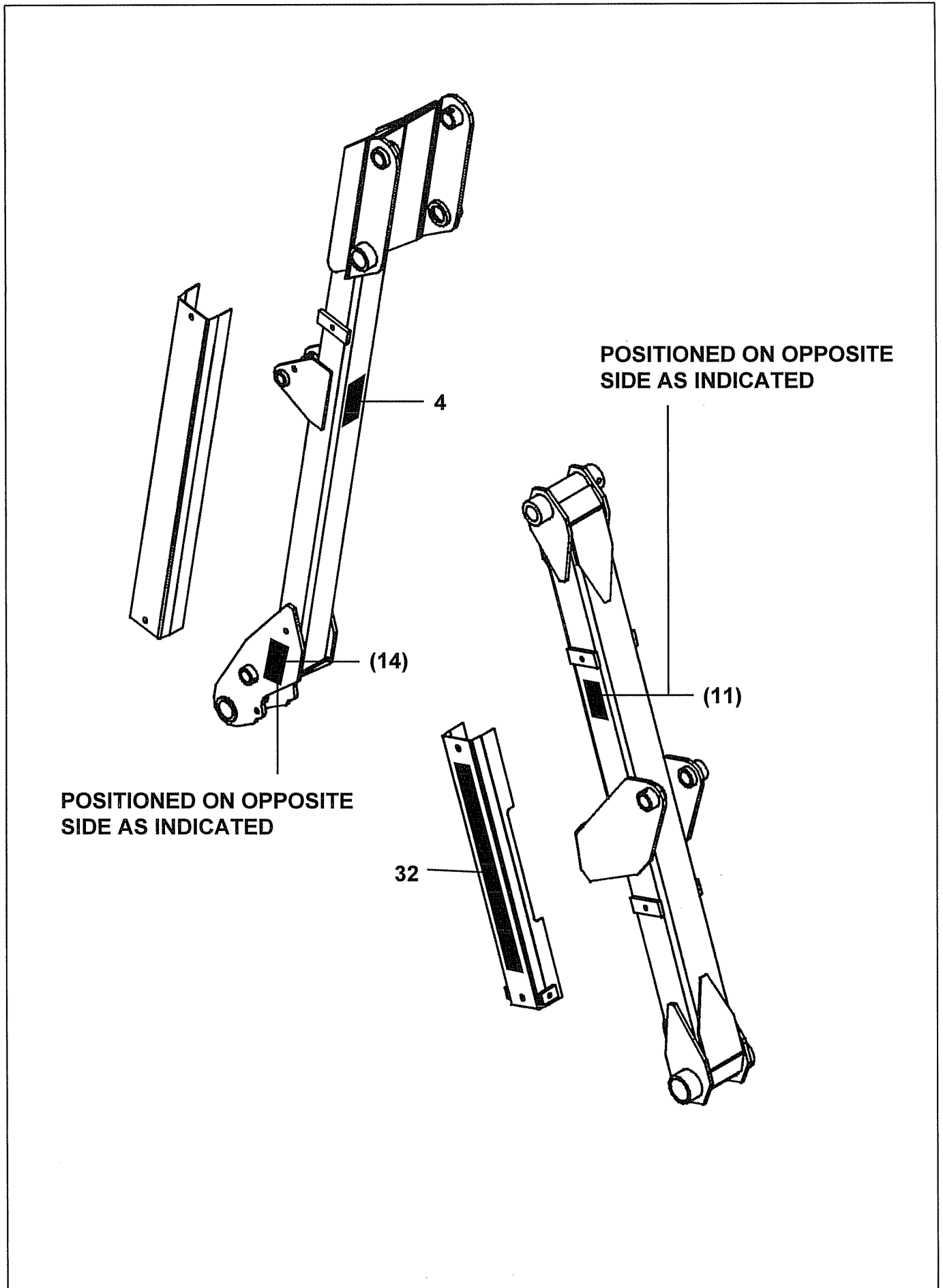


| REF | PART NO | DESCRIPTION | QTY |
|---------------------------------|-----------|---------------------------------|-----|
| 76.377.01 ACCUMLATOR KIT | | | |
| 01 | 41451.02 | ACCUMULATOR 0.7 LTR (30 BAR) | 1 |
| *02 | 43239.01 | BRACKET | 1 |
| 02 | 04.282.68 | STUD M10 X 33MM | 2 |
| 02 | 05.281.02 | FLAT WASHER 10MM PLATED FORM C | 2 |
| 02 | 05.282.02 | SPRING WASHER 10MM PLATED | 2 |
| 02 | 05.286.02 | NUT M10 PLATED | 2 |
| 03 | 05.290.05 | BONDED SEAL 1/2"BSP | 1 |
| 04 | 05.123.01 | ADAPTOR 1/2" BSP X 3/8" BSP | 1 |
| 05 | 05.290.04 | BONDED SEAL 3/8"BSP | 2 |
| 06 | 08.200.01 | VALVE - ISOLATING 3/8" BSP | 1 |
| 07 | 05.124.01 | ADAPTOR 3/8" BSP X 3/8" BSP | 1 |
| 08 | 10.004.09 | HOSE 3/8"BSP ST X 90 S.SEAL 450 | 1 |
| 09 | 11.068.69 | ADAPTOR-TEE 3/8F-3/8M+3/8M | 1 |
| 10 | 09.852.01 | DECAL - ARM FLOAT | 1 |
| 11 | 0126038 | NUT, M33 BULKHEAD | 1 |

***MAIN PART IN GROUP, RELATED PARTS HAVE SAME REFERENCE NUMBER**



| REF | PART NO | DESCRIPTION | QTY |
|---------------------------------|-----------|--------------------------------|-----|
| 74.651.01 DECALS - ENG | | | |
| 01 | 09.811.04 | DECAL - MAX PTO SPEED 540 ACW | 1 |
| 02 | 09.821.01 | DECAL - READ INSTRUCTION BOOK | 1 |
| 03 | 09.821.02 | DECAL - STAY CLEAR O'HD CABLES | 1 |
| 04 | 09.821.03 | DECAL - DON'T STAND UNDER ARMS | 1 |
| 05 | 08.632.01 | DECAL - TRANSPORT | 1 |
| 06 | 09.821.16 | DECAL - KEEP OUT ZONE | 1 |
| 07 | 09.821.06 | DECAL - SLEW DANGER | 1 |
| 08 | 09.821.07 | DECAL - RESIDUAL PRESSURE | 1 |
| 09 | 09.821.20 | DECAL - SHAFT ENTANGLEMENT | 1 |
| 10 | 09.821.09 | DECAL - HOT SURFACE | 1 |
| 11 | 09.821.12 | DECAL - ARMS HIT CAB (REAR) | 1 |
| 12 | 09.030.01 | DECAL - OIL FILTER | 1 |
| 13 | 09.810.01 | DECAL - GREASE (8 HOURS) | 14 |
| 14 | 09.821.23 | DECAL - PINCH POINT | 1 |
| 15 | 09.844.01 | DECAL - OIL LEVEL | 1 |
| 16 | 09.845.01 | DECAL - APPROVED OILS | 1 |
| 17 | 09.846.01 | DECAL - OIL FILTER CHANGE | 1 |
| 18 | 09.821.10 | DECAL - KEEP NUTS TIGHT | 1 |
| 19 | 09.843.06 | DECAL - LIFT POINT 1500 KG | 1 |
| 76.327.02 DECALS - B54MP | | | |
| 30 | 09.979.01 | DECAL - BOMFORD LH | 1 |
| 31 | 09.980.26 | DECAL - B54MP | 1 |
| 32 | 41582.01 | DECAL - POWER PLUS | 1 |
| 33 | 09.681.02 | DECAL - DIRECTION ARROW RH | 1 |



| REF | PART NO | DESCRIPTION | QTY |
|---------------------------------|-----------|--------------------------------|-----|
| 74.651.01 DECALS - ENG | | | |
| 01 | 09.811.04 | DECAL - MAX PTO SPEED 540 ACW | 1 |
| 02 | 09.821.01 | DECAL - READ INSTRUCTION BOOK | 1 |
| 03 | 09.821.02 | DECAL - STAY CLEAR O'HD CABLES | 1 |
| 04 | 09.821.03 | DECAL - DON'T STAND UNDER ARMS | 1 |
| 05 | 08.632.01 | DECAL - TRANSPORT | 1 |
| 06 | 09.821.16 | DECAL - KEEP OUT ZONE | 1 |
| 07 | 09.821.06 | DECAL - SLEW DANGER | 1 |
| 08 | 09.821.07 | DECAL - RESIDUAL PRESSURE | 1 |
| 09 | 09.821.20 | DECAL - SHAFT ENTANGLEMENT | 1 |
| 10 | 09.821.09 | DECAL - HOT SURFACE | 1 |
| 11 | 09.821.12 | DECAL - ARMS HIT CAB (REAR) | 1 |
| 12 | 09.030.01 | DECAL - OIL FILTER | 1 |
| 13 | 09.810.01 | DECAL - GREASE (8 HOURS) | 14 |
| 14 | 09.821.23 | DECAL - PINCH POINT | 1 |
| 15 | 09.844.01 | DECAL - OIL LEVEL | 1 |
| 16 | 09.845.01 | DECAL - APPROVED OILS | 1 |
| 17 | 09.846.01 | DECAL - OIL FILTER CHANGE | 1 |
| 18 | 09.821.10 | DECAL - KEEP NUTS TIGHT | 1 |
| 19 | 09.843.06 | DECAL - LIFT POINT 1500 KG | 1 |
| 76.327.02 DECALS - B54MP | | | |
| 30 | 09.979.01 | DECAL - BOMFORD LH | 1 |
| 31 | 09.980.26 | DECAL - B54MP | 1 |
| 32 | 41582.01 | DECAL - POWER PLUS | 1 |
| 33 | 09.681.02 | DECAL - DIRECTION ARROW RH | 1 |