

PM1776

B54
ARM MOWER

PARTS MANUAL

ISSUE 10

NOTE HERE THE SERIAL NUMBER OF YOUR MACHINE AND ALWAYS QUOTE IT IN ANY COMMUNICATION WITH US OR YOUR DEALER. THIS IS PARTICULARLY IMPORTANT WHEN ORDERING SPARES. REMEMBER TO INCLUDE ALL NUMBERS AND LETTERS.

_____ MACHINE SERIAL NUMBERS

THE INFORMATION GIVEN THROUGHOUT THIS MANUAL IS CORRECT AT THE TIME OF PUBLICATION. HOWEVER, IN THE COURSE OF CONSTANT DEVELOPMENT OF BOMFORD TURNER MACHINES, CHANGES IN SPECIFICATION ARE INEVITABLE. SHOULD YOU FIND THE INFORMATION GIVEN IN THIS BOOK TO BE AT VARIANCE WITH THE MACHINE IN YOUR POSSESSION, YOU ARE ADVISED TO CONTACT THE BOMFORD TURNER SERVICE DEPARTMENT WHERE UP-TO-DATE INFORMATION WILL BE PROVIDED. THE MANUAL CAN CONTAIN STANDARD AND OPTIONAL FEATURES AND IS NOT TO BE USED AS A MACHINE SPECIFICATION. THE MACHINE HAS BEEN TESTED AND IS CONSIDERED SAFE IF CAREFULLY USED. ENSURE YOUR OPERATOR IS PROPERLY TRAINED IN ITS USE AND MAINTENANCE.

IMPORTANT

NOTEZ ICI LES NUMEROS DE SERIE DE VOTRE MACHINE ET MENTIONNEZ LES DANS TOUTE COMMUNICATION AVEC NOS SERVICES OU VOTRE REVENDEUR. CE CI EST IMPORTANT POUR LA COMMANDE DE PIECES DETACHEES. PENSEZ A NOTER TOUS LES NUMEROS ET TOUTES LES LETTRES.

_____ NUMEROS DE SERIE DE LA MACHINE

LES INFORMATIONS DONNEES DANS CE MANUEL SONT CORRECTES CEPENDANT, DU FAIT DE DEVELOPPEMENT CONSTANT DES MACHINES BOMFORD TURNER, CHANGEMENTS DANS LES CARACTERISTIQUES SONT INEVITABLES. SI VOUS TROUVEZ QUE LES INFORMATIONS DONNEES NE CORRESPONDENT PAS A VOTRE MACHINE VEUILLEZ CONTACTER LE SERVICE DES REPARATIONS OU DES INFORMATIONS PLUS RECENTES VOUS SERONT DONNEES. CE MANUEL PEUT MONTRER DES CARACTERISTIQUES OPTIONNELLES ET NE PEUT PAS ETRE CONSIDERE COMME SPECIFICATION DE LA MACHINE. CETTE MACHINE A ETE TESTEE, ET ELLE EST CONSIDEREE COMME FIABLE A CONDITION D'UNE BONNE UTILISATION. ASSUREZ-VOUS QUE VOTRE OPERATEUR EST QUALIFIE EN CE QUI CONCERNE L'UTILISATION DE LA MACHINE AINSI QUE SON ENTRETIEN.

WICHTIG

TRAGEN SIE HIER DIE SERIENNUMMERN IHRER MASCHINE EIN UND GEBEN SIE DIESE IMMER AN, WENN SIE SICH AN UNS ODER IHREN HÄNDLER WENDEN. DAS IST BESONDERS BEI ERSATZTEILBESTELLUNGEN WICHTIG. VERGESSEN SIE NICHT, ALLE ZAHLEN UND BUCHSTABEN ZU NOTIEREN.

_____ SERIENNUMMERN DER MASCHINE

DIE ANGABEN IN DIESEM HANDBUCH SIND BEI VERÖFFENTLICHUNG KORREKT. AUFGRUND DER KONSTANTEN WEITERENTWICKLUNG VON BOMFORD TURNER MASCHINEN SIND JEDOCH ÄNDERUNGEN IN DER SPEZIFIKATION UNVERMEIDLICH. WENN DIE INFORMATION IN DIESEM HANDBUCH NICHT MIT IHRER MASCHINE ÜBEREINSTIMMT, NEHMEN SIE BITTE KONTAKT MIT DER BOMFORD TURNER KUNDENDIENSTABTEILUNG AUF, DIE IHNEN GERNE DIE AKTUELLEN INFORMATION ZUKOMMEN LÄSST. DAS HANDBUCH KANN SOWOHL BESCHREIBUNGEN FÜR DIE STANDARD AUSFÜHRUNG ALS AUCH FÜR ZUBEHÖR ENTHALTEN UND IST NICHT ALS MASCHINENSPEZIFIKATION ZU VERWENDET. DIE MASCHINE IST GETESTET UND BEI SACHGEMÄSSEM BETRIEB ALS SICHER BEFUNDEN WORDEN. SORGEN SIE DAFÜR, DASS IHR BEDIENTERSONAL IN ANWENDUNG UND WARTUNG RICHTIG GESCHULT WIRD.

B54 MOWER

PAGE AND ILLUSTRATION NUMBERS ARE USED ONLY FOR REFERENCE PURPOSES AND SHOULD NOT BE USED FOR ORDERING SPARE PARTS. PLEASE ENSURE THE CORRECT PART NUMBER AND DESCRIPTION IS GIVEN WHEN ORDERING SPARE PARTS.

FOR MACHINES WITH SERIAL NUMBERS COMMENCING FROM1322H/96.....

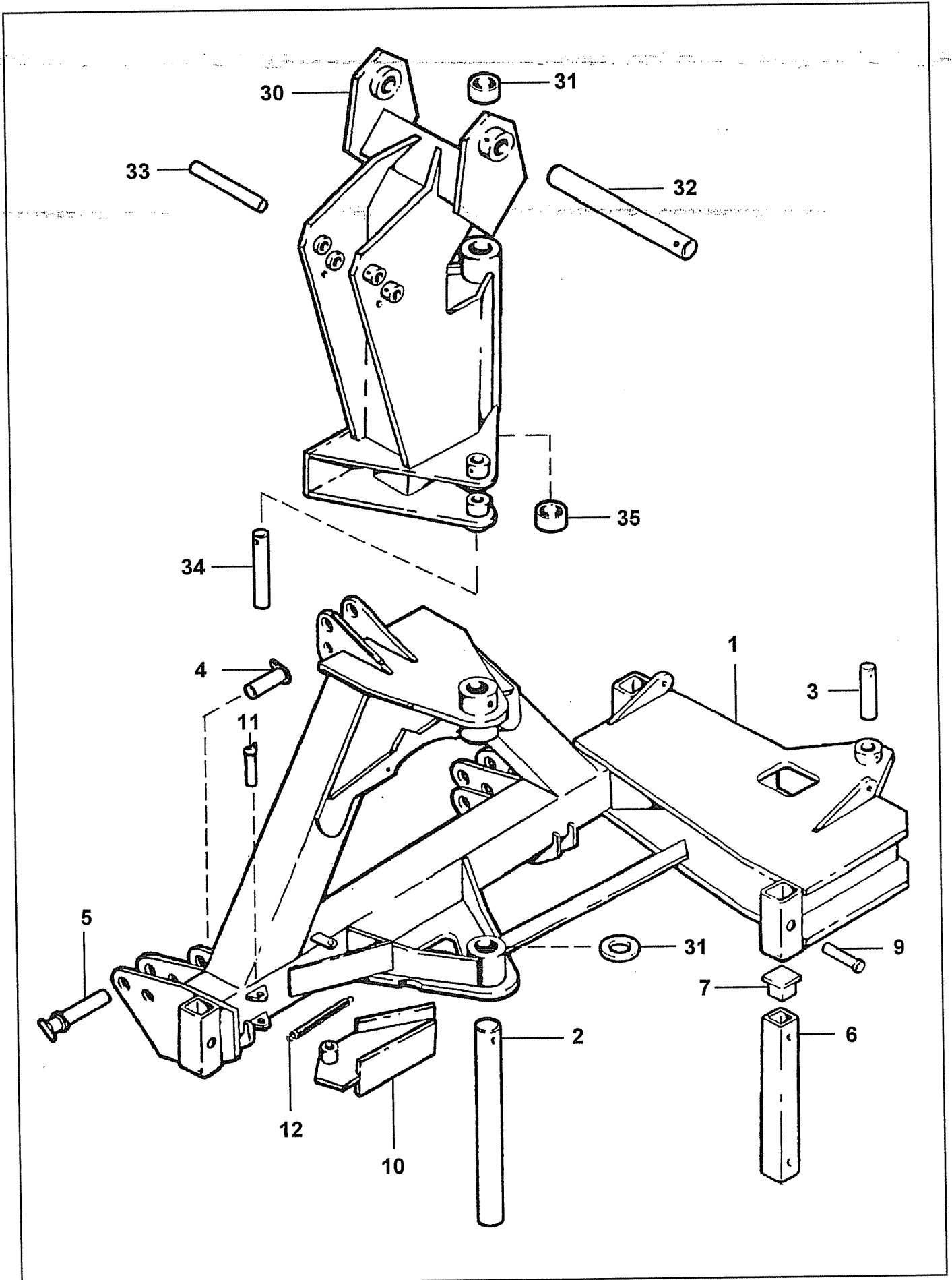
PAGE NO.	SECTION
2 - 1 TO 2 - 2	MAINFRAME - KINGPOST
3 - 1 TO 3 - 2	MOUNTING KITS
4 - 1 TO 4 - 2	TANK ASSEMBLY
5 - 1 TO 5 - 4	ARMS AND COWL BRACKET ASSEMBLIES
6 - 1 TO 6 - 2	CRANKED SECOND ARM/COWL BRACKET
7 - 1 TO 7 - 4	PTO, GEARBOX AND PUMP CIRCUIT (LH MACHINES)
8 - 1 TO 8 - 4	PTO, GEARBOX AND PUMP CIRCUIT (RH MACHINES)
9 - 1 TO 9 - 4	PTO, GEARBOX AND PUMP CIRCUIT (DSR MACHINES)
10 - 1 TO 10 - 2	CONTROL VALVE - 3 SERVICE
11 - 2 TO 11 - 2	CONTROL VALVE - 4 SERVICE
12 - 1 TO 12 - 2	EPP II CONTROL VALVE - 3 SERVICE
13 - 1 TO 13 - 2	EPP II CONTROL VALVE - 4 SERVICE
14 - 1 TO 14 - 2	REMOTE CONTROL ASSEMBLIES - CABLE
15 - 1 TO 15 - 2	EPP II REMOTE CONTROL ASSEMBLIES
16 - 1 TO 16 - 2	EPP II REMOTE CONTROL CAB SIDE MOUNTING
17 - 1 TO 17 - 2	EPP II REMOTE CONTROL CAB SEAT MOUNTING
18 - 1 TO 18 - 2	RAM CIRCUITS - ARMS
19 - 1 TO 19 - 2	RAM CIRCUITS - BREAKOUT AND SLEW
20 - 1 TO 20 - 2	ACCUMULATOR KIT
21 - 1 TO 20 - 4	DECALS

IMPORTANT

**THIS MACHINE IS FOR VEGETATION CONTROL AND
MUST NOT BE USED FOR ANY OTHER PURPOSE**

**IT IS POTENTIALLY HAZARDOUS TO FIT OR USE
ANY PARTS OTHER THAN GENUINE BOMFORD TURNER PARTS**

**THE COMPANY DISCLAIMS ALL LIABILITY FOR THE
CONSEQUENCES OF SUCH USE, WHICH IN ADDITION
VOIDS THE MACHINE WARRANTY**

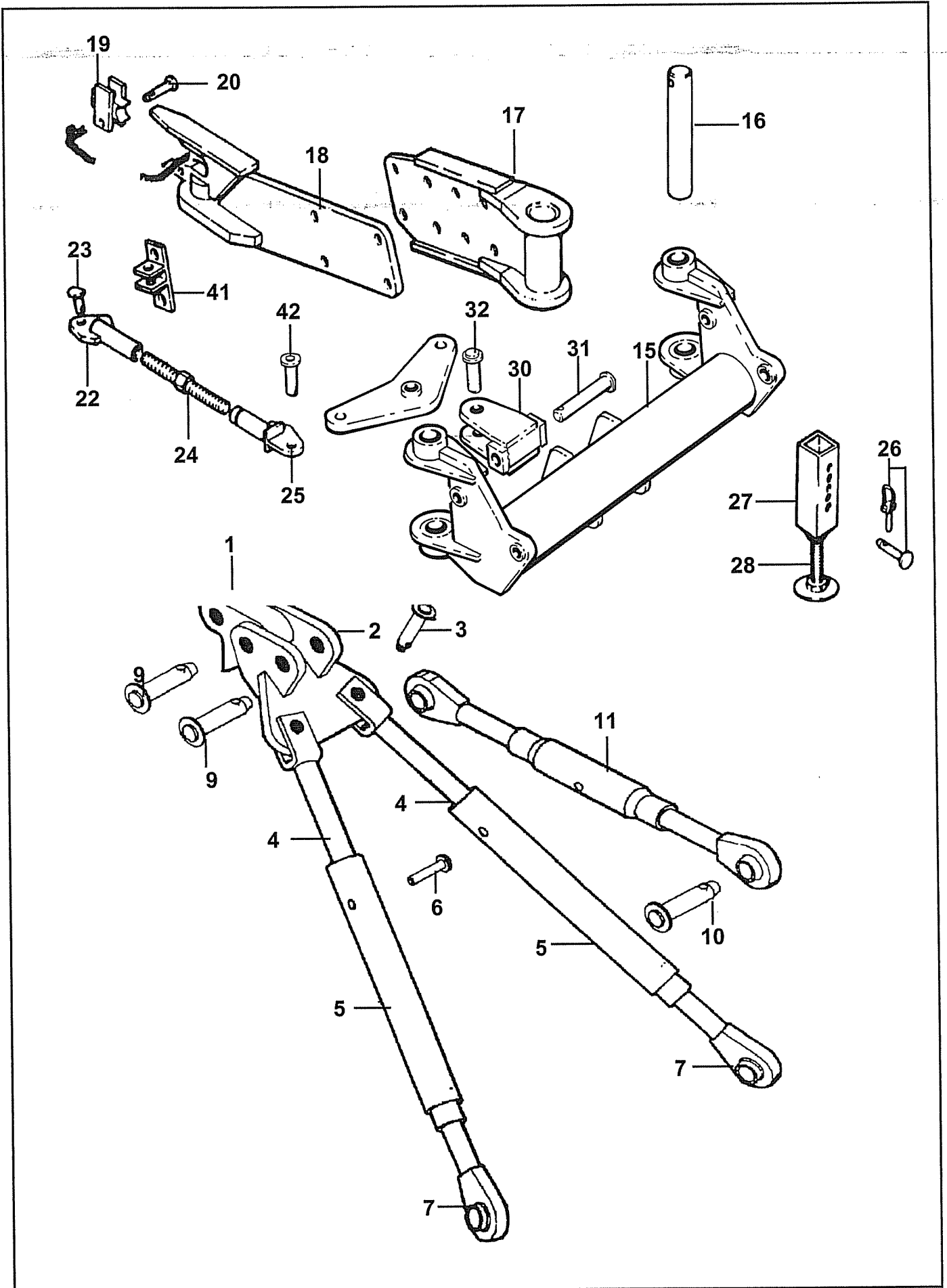


REF	PART NO	DESCRIPTION	QTY
74.648.01/74.729.01 MAINFRAME ASSY LH/RH			
*01	09.943.01	MAINFRAME LH	1
01	09.943.02	MAINFRAME RH	1
01	9343033	M6 X 16 SOCKET HEAD CAP	1
01	05.227.01	HAMMER DRIVE SCREW NO.6 X 3/8"	2
01	05.774.06	SERIAL NO.PLATE BOMFORD TURNER	1
*02	03.657.28	PIN - DIA 50 X 570	1
02	05.287.03	SELF-LOCKING NUT M12 PLATED	1
02	05.292.22	BOLT M12 X 90MM PLATED	1
*03	03.653.57	PIN 25 DIA X 170MM	1
03	05.287.01	SELF-LOCKING NUT M8 PLATED	1
03	05.625.29	SOCKET CAPSCREW M8 X 50 PLATED	1
04	05.264.12	SETSCREW M10 X 25MM PLATED	2
04	05.281.02	FLT WASHER 10MM PLATED FORM C	2
04	05.282.02	SPRING WASHER 10MM PLATED	2
*04	09.931.01	PIN - LOWER LINK	2
05	00.372.01	LINCH PIN	2
*05	06.318.01	PIN-1.1/8" DIA X 103	2
06	41.026.01	PARKING LEG	3
07	07.262.03	PLUG-PLASTIC 50 X 50:3.2-5.0W	3
09	00.372.01	LINCH PIN	3
*09	03.652.01	PIN 20 DIA X 90	3
10	09.925.01	BRACKET - KINGPOST STOP	1
11	03.652.21	PIN - DIA 20 X 105	1
12	09.917.01	SPRING - TENSION	1

74.650.01/74.730.01 KINGPOST ASSY LH/RH

30	05.953.04	GREASE NIPPLE M10 90 DEG	1
*30	42035.01	KINGPOST - LH	1
30	42035.02	KINGPOST - RH	1
31	09.918.01	THRUST WASHER - PLASTIC	1
*32	03.657.21	PIN 50 DIA X 340	1
32	05.287.03	SELF-LOCKING NUT M12 PLATED	1
32	05.292.22	BOLT M12 X 90MM PLATED	1
*33	03.655.37	PIN DIA 35 X 186	1
33	05.287.02	SELF-LOCKING NUT M10 PLATED	1
33	05.291.18	BOLT M10 X 65 PLATED	1
*34	03.653.57	PIN 25 DIA X 170MM	1
34	05.287.01	SELF-LOCKING NUT M8 PLATED	1
34	05.625.29	SOCKET CAPSCREW M8 X 50 PLATED	1
35	08.297.01	BUSH - PLASTIC 60 X 50 X 50	2

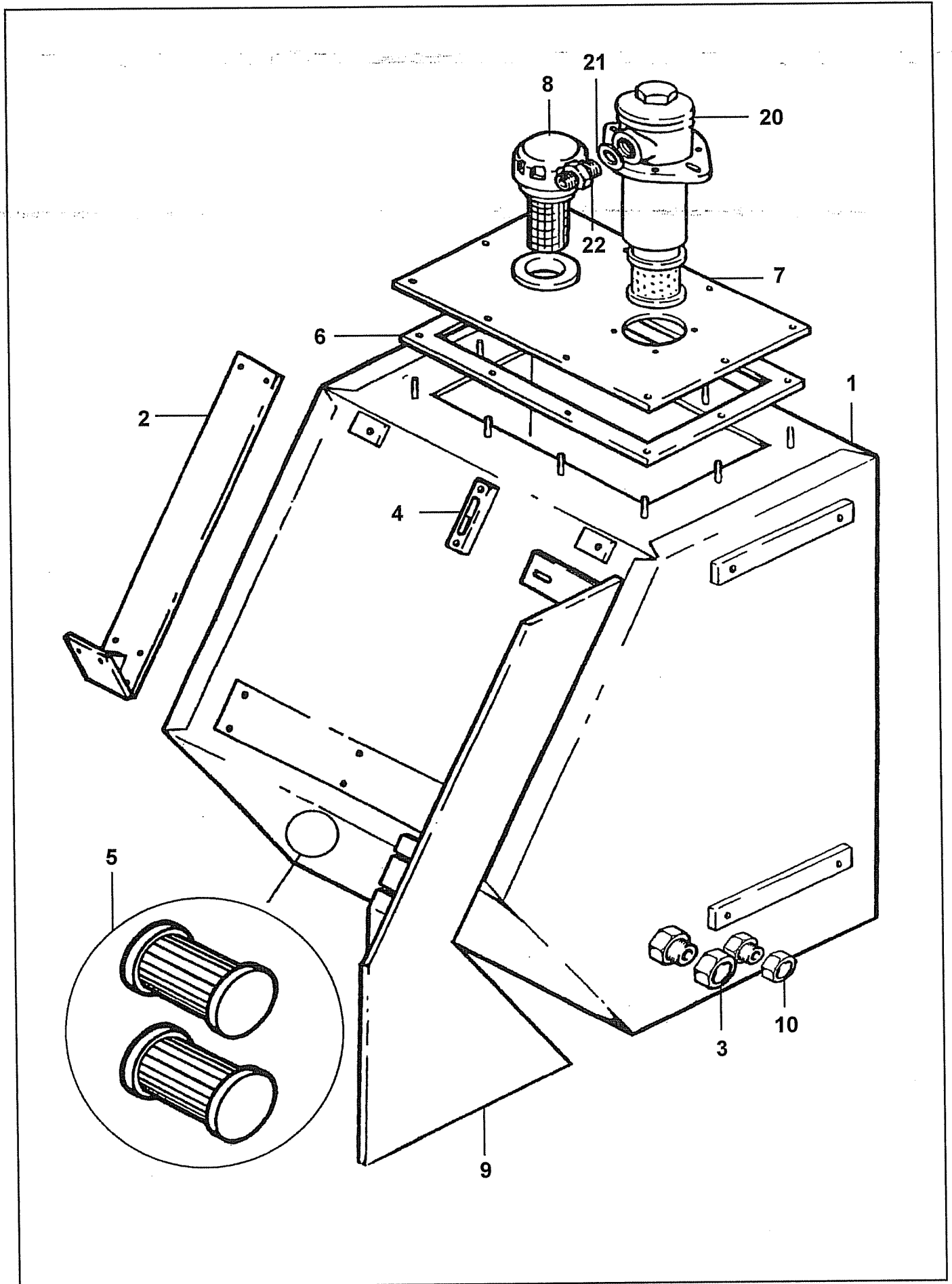
*MAIN PART IN GROUP, RELATED PARTS HAVE SAME REFERENCE NUMBER



REF	PART NO	DESCRIPTION	QTY
74.668.01 AXLE MOUNT KIT 4600			
	43084.01	BRACKET AXLE MOUNTING	1
16	03.657.18	PIN 50 DIA X 291MM	2
16	05.282.03	SPRING WASHER 12MM PLATED*	2
16	05.286.03	NUT M12 PLATED*	2
16	05.292.22	BOLT M12 X 90MM PLATED*	2
17	08.543.01	PIVOT GATE	2
18	03.752.01	MOUNTING FORK	2
18	05.282.05	SPRING WASHER 20MM PLATED*	8
18	05.286.05	NUT M20 PLATED	8
18	05.292.41	BOLT M20 X 80MM PLATED	8
19	03.719.01	CATCH PLATE	2
20	03.255.05	CHAIN-RING ASSY	2
20	03.650.01	PIN 12 DIA X 68 *P*	2
20	05.964.01	SPRING COTTER 3.6MM DIA	2
22	03.806.01	BRACKET-TIE ROD R.H.	2
23	03.652.02	PIN 20 DIA X 53 *P*	2
23	05.284.03	SPLIT COTTER 3.2MM X 36MM	2
24	03.804.01	TURNBUCKLE PLATED	2
24	05.286.06	NUT M24 PLATED	2
25	03.805.01	BRACKET-TIE ROD L.H.	2
26	00.372.01	LINCH PIN	3
26	03.652.01	PIN 20 DIA X 90 *P*	3
27	42802.01	STAND	3
28	30.141.34	ADJUSTER FOOT *P*	3
30	03.644.01	YOKE BRACKET	1
31	03.654.01	PIN 30 DIA X 198 *P*	1
31	05.284.14	SPLIT COTTER 5MM X 40MM	1
31	05.953.03	GREASE NIPPLE M10*	1
32	03.654.02	PIN 30 DIA X 96 *P*	1
32	05.284.16	SPLIT COTTER 5MM X 50MM	1
32	05.953.03	GREASE NIPPLE M10*	1
40	43502.01	BRACKET LH	1
41	43502.02	BRACKET RH	1
42	03.652.03	PIN 20 DIA X 79 *P*	1
76.458.02 3 PT LINKAGE KIT			
+01	42975.01	PLATE CAT 2	1
+01	42976.01	PLATE 40 TOP LINK 28.5 DIA	1
02	42276.01	BRACKET	1
*03	03.652.12	PIN DIA 20 X 65 LG	2
03	05.201.11	TENSION PIN 5MM X 45MM PLATED	2
03	05.281.05	FLAT WASHER 20MM PLATED	2
04	42317.01	ROD INNER	2
05	42316.01	TUBE OUTER	2
06	05.964.01	SPRING COTTER 3.6MM DIA	2
06	42315.01	BRT RND 12 DIA X 68	2
07	07.731.01	BALL END - A-FRAME	2
08	42452.01	CDS 1 1/2 X 1 1/32 - 5PLATED	2
09	00.372.01	LINCH PIN	2
09	03.873.01	PIN 1"DIA X 140MM	2
10	00.372.01	LINCH PIN	1
*10	42250.01	PIN - CATII TOP LINK	1
11	07.584.02	TOP LINK - HEAVY DUTY	1

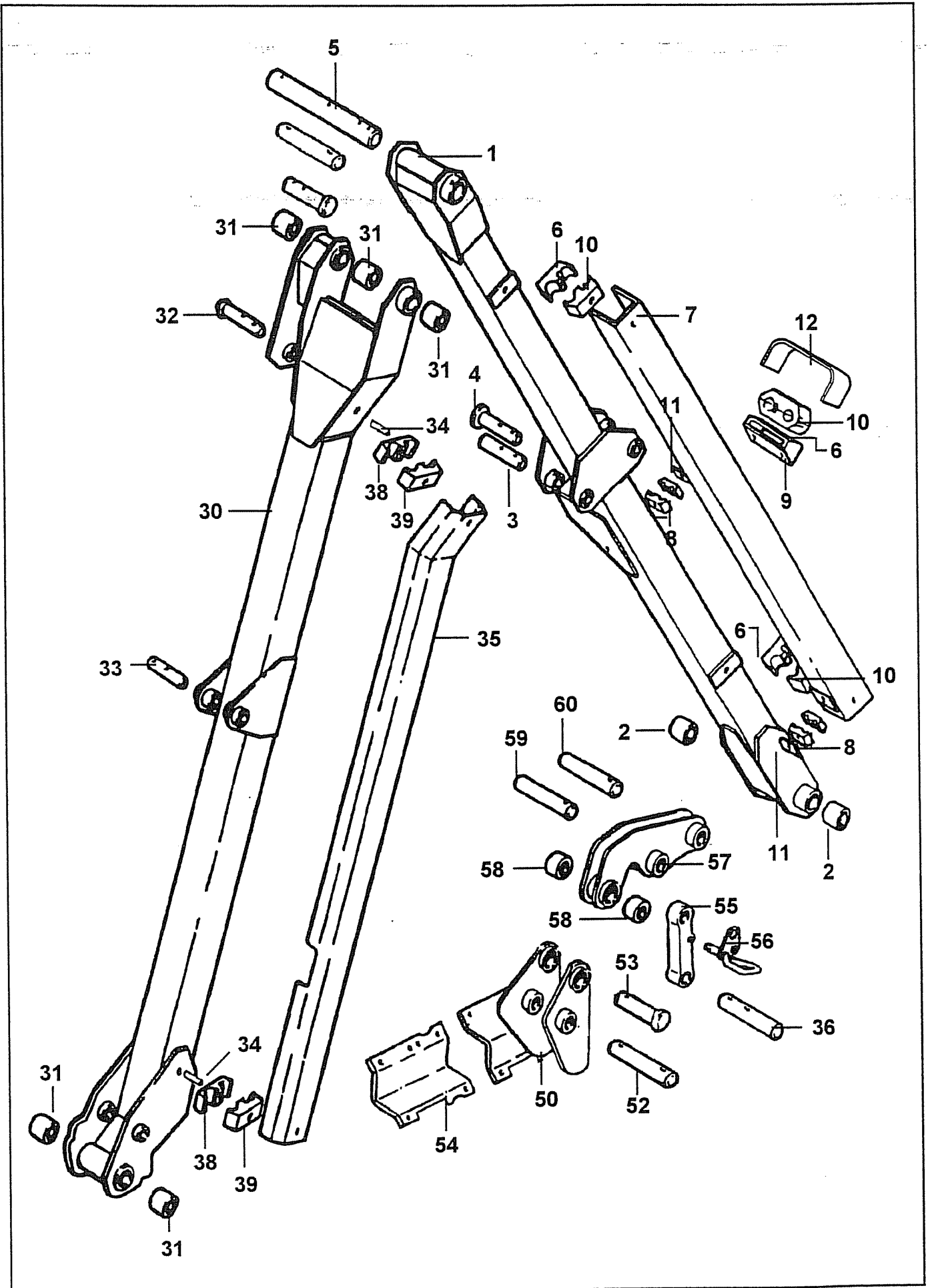
+ Dependent on tractor make/model

*MAIN PART IN GROUP, RELATED PARTS HAVE SAME REFERENCE NUMBER



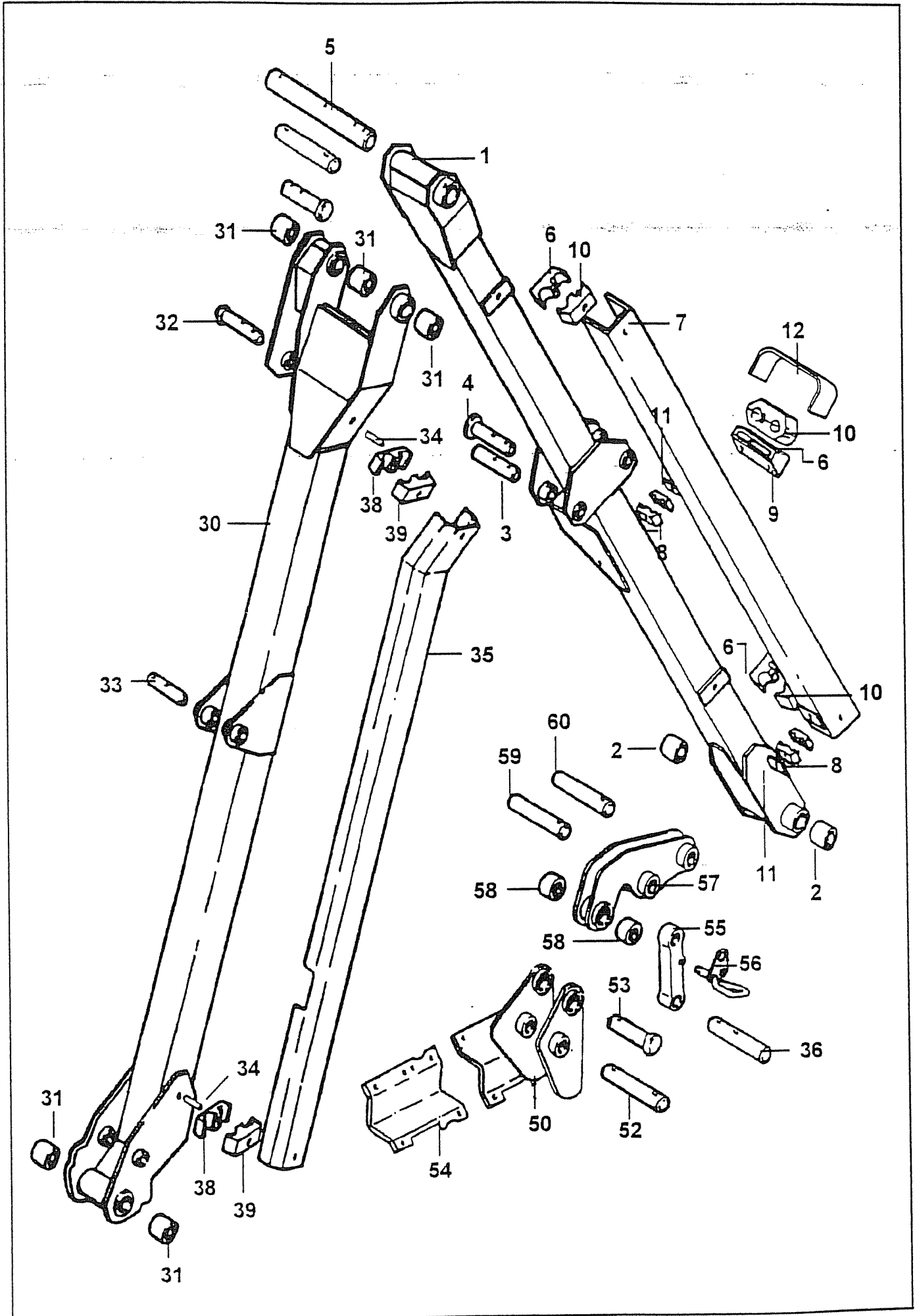
REF	PART NO	DESCRIPTION	QTY
76.086.01/74.988.01 TANK ASSY - LH/RH			
01	05.264.37	SETSCREW M16 X 50MM PLATED	2
01	05.282.04	SPRING WASHER 16MM PLATED	2
01	05.287.04	SELF-LOCKING NUT M16 PLATED	2
*01	42601.01	TANK - OIL LH	1
01	42601.02	TANK - OIL RH	1
02	05.264.22	SETSCREW M12 X 25MM PLATED	5
02	05.281.03	FLAT WASHER 12MM PLATED	6
02	05.282.03	SPRING WASHER 12MM PLATED	6
*02	09.949.01	BRACKET - TANK MOUNTING	1
03	05.433.09	BLANKING CAP 1.1/2"BSP FEMALE	1
04	08.921.01	FLUID LEVEL GAUGE	1
05	8401047	UC-SE-1324 SUCTION	2
06	08.605.01	GASKET	1
07	05.281.01	FLAT WASHER 8MM PLATED	10
07	05.286.01	NUT M8 PLATED	10
*07	41.255.01	PLATE - FILLER/FILTER	1
08	06.966.02	FILLER BREATHER CAP & STRAINER	1
09	05.264.21	SETSCREW M12 X 20MM PLATED	1
*09	09.974.01	COVER - REAR LH	1
09	09.974.02	COVER - REAR RH	1
10	05.433.08	BLANKING CAP 1" BSP FEMALE	1
74.803.01 FILTER ASSEMBLY			
30	05.264.01	SETSCREW M8 X 20MM PLATED	4
30	05.282.01	SPRING WASHER 8MM PLATED	4
*30	41.041.01	FILTER UCC REF 3301.346	1
30	41.041.02	ELEMENT UCC REF MFR 3300	-
31	05.290.08	BONDED SEAL 1.1/4"BSP	1
32	05.131.01	ADAPTOR 1" X 1.1/4" BSP	1

*MAIN PART IN GROUP, RELATED PARTS HAVE SAME REFERENCE NUMBER



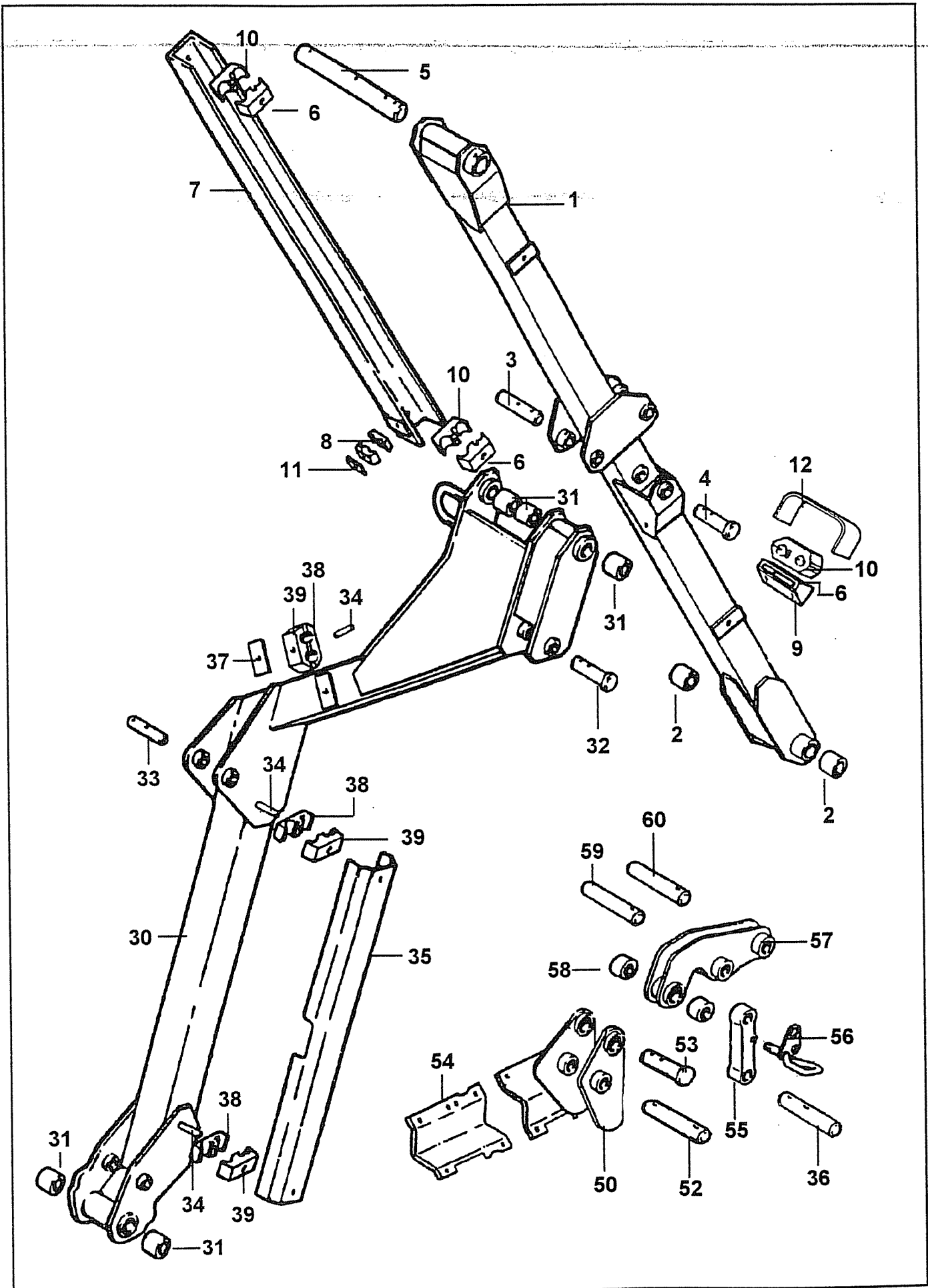
REF	PART NO	DESCRIPTION	QTY
76.064.01 ARM ASSY - 1ST			
01	05.953.04	GREASE NIPPLE M10 90 DEG	1
*01	42048.01	ARM – FIRST (Use 42048.02 and Pin 03.656.99)	1
01	42048.02	ARM – FIRST (<i>From Serial No. 1001N/02</i>)	1
02	08.297.01	BUSH - PLASTIC 60 X 50 X 50	2
*03	03.655.38	PIN - DIA 35 X 168	1
03	05.287.02	SELF-LOCKING NUT M10 PLATED	1
03	05.291.18	BOLT M10 X 65 PLATED	1
*04	03.653.60	PIN - DIA 25 X 120	1
04	05.287.01	SELF-LOCKING NUT M8 PLATED	2
04	05.625.29	SOCKET CAPSCREW M8 X 50 PLATED	1
05	03.068.01	SPECIAL SETSCREW M12 X 25	2
*05	03.656.67	PIN (<i>Up to Serial No. 3420M/01</i>)	1
05	03.656.99	PIN (<i>From Serial No. 1001N/02</i>)	1
05	05.282.03	SPRING WASHER 12MM PLATED	2
05	05.292.11	BOLT M10 X 80MM PLATED	1
05	05.953.01	GREASE NIPPLE M6	2
05	07.942.01	WASHER - M12 SPECIAL	2
06	04.282.69	STUD - M10 X 105	3
*06	06.430.18	HOSE CLAMP-LOWER	3
07	41762.02	HOSE GUARD - FIRST ARM	1
08	04.282.66	STUD - M10 X 56	3
08	05.281.02	FLT WASHER 10MM PLATED FORM C	6
08	05.282.02	SPRING WASHER 10MM PLATED	6
08	05.286.02	NUT M10 PLATED	10
*08	06.430.02	CLAMP HOSE 14 X 14	6
09	05.282.01	SPRING WASHER 8MM PLATED	2
09	05.839.03	SETSCREW M8 X 16MM PLATED	2
*09	09.924.01	BRACKET - HOSE MOUNTING	1
10	06.430.17	HOSE CLAMP - UPPER	3
11	06.418.06	CLAMP PLATE 48 X 6	3
12	43243.01	BRACKET - HOSE CLAMP	1

*MAIN PART IN GROUP, RELATED PARTS HAVE SAME REFERENCE NUMBER



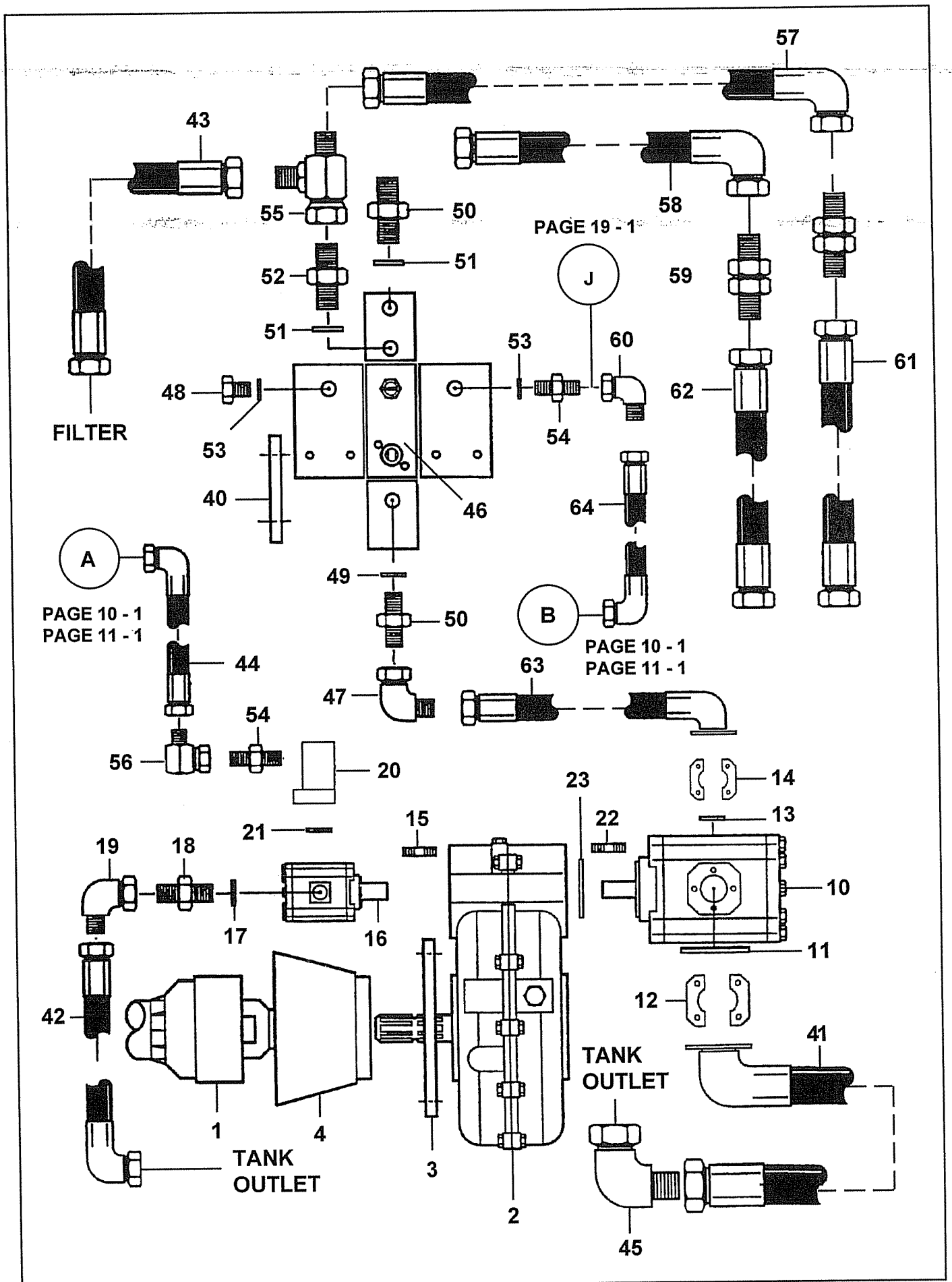
REF	PART NO	DESCRIPTION	QTY
76.063.01/76.175.01 STRAIGHT ARM ASSY - 2ND LH/RH			
30	05.953.04	GREASE NIPPLE M10 90 DEG	1
*30	09.932.01	ARM - SECOND LH	1
30	09.932.02	ARM - SECOND RH	1
31	08.297.02	BUSH - PLASTIC 47 X 40 X 40	5
32	03.653.61	PIN - DIA 25 X 128	1
*33	03.653.58	PIN - DIA 25 X 138	1
33	05.625.29	SOCKET CAPSCREW M8 X 50 PLATED	2
*34	04.282.69	STUD - M10 X 105	2
34	05.281.02	FLT WASHER 10MM PLATED FORM C	2
34	05.282.02	SPRING WASHER 10MM PLATED	2
34	05.286.02	NUT M10 PLATED	4
35	41763.02	HOSE GUARD - SECOND ARM	1
*36	03.654.60	PIN - DIA 30 X 164	1
36	05.287.01	SELF-LOCKING NUT M8 PLATED	3
36	05.625.30	SOCKET CAPSCREW M8 X 55 PLATED	1
38	06.430.18	HOSE CLAMP-LOWER	2
39	06.430.17	HOSE CLAMP - UPPER	2
76.676.01/02 COWL BRACKET & LINKAGE LH/RH			
For machines up to serial number 1310L/00			
*50	09.662.01	BRACKET - COWL LH	1
50	09.662.02	BRACKET - COWL RH	1
*52	03.655.27	PIN - DIA 35 X 184	1
For machines from serial number 1311L/00			
50	43290.01	BRACKET - COWL LH	1
50	43290.02	BRACKET - COWL RH	1
*52	03.655.27	PIN 35 DIA X 184 P	1
52	05.282.02	SPRING WASHER 10MM PLATED	1
52	05.287.02	SELF-LOCKING NUT M10 PLATED	1
52	05.291.18	BOLT M10 X 65 PLATED	1
53	03.997.02	WASHER 60 O/D X 17 I/D X 6MM	1
53	05.282.02	SPRING WASHER 10MM PLATED	1
53	43292.01	PIN 40 DIA X 252.0 P	1
54	05.264.37	SETSCREW M16 X 50MM PLATED	5
54	05.282.04	SPRING WASHER 16MM PLATED	5
54	05.286.04	NUT M16 PLATED	5
*54	09.664.01	PLATE - COWL CLAMP	1
55	05.953.01	GREASE NIPPLE M6	1
55	05.953.05	GREASE NIPPLE M6 X 90DEG	1
*55	09.786.01	LINK	1
56	05.282.04	SPRING WASHER 16MM PLATED	1
56	05.286.04	NUT M16 PLATED	1
*56	41.040.01	BRACKET HOSE LH	1
56	41.040.02	BRACKET HOSE RH	1
57	05.953.03	GREASE NIPPLE M10	1
*57	09.785.01	BRACKET - COWL LINK	1
58	08.297.05	PLASTIC BUSH - 42 X 35 - 30	2
*59	03.654.59	PIN - DIA 30 X 128	1
59	05.287.01	SELF-LOCKING NUT M8 PLATED	1
59	05.625.30	SOCKET CAPSCREW M8 X 55 PLATED	1
*60	03.653.59	PIN - DIA 25 X 128	1
60	05.287.01	SELF-LOCKING NUT M8 PLATED	1
60	05.625.29	SOCKET CAPSCREW M8 X 50 PLATED	1

*MAIN PART IN GROUP, RELATED PARTS HAVE SAME REFERENCE NUMBER



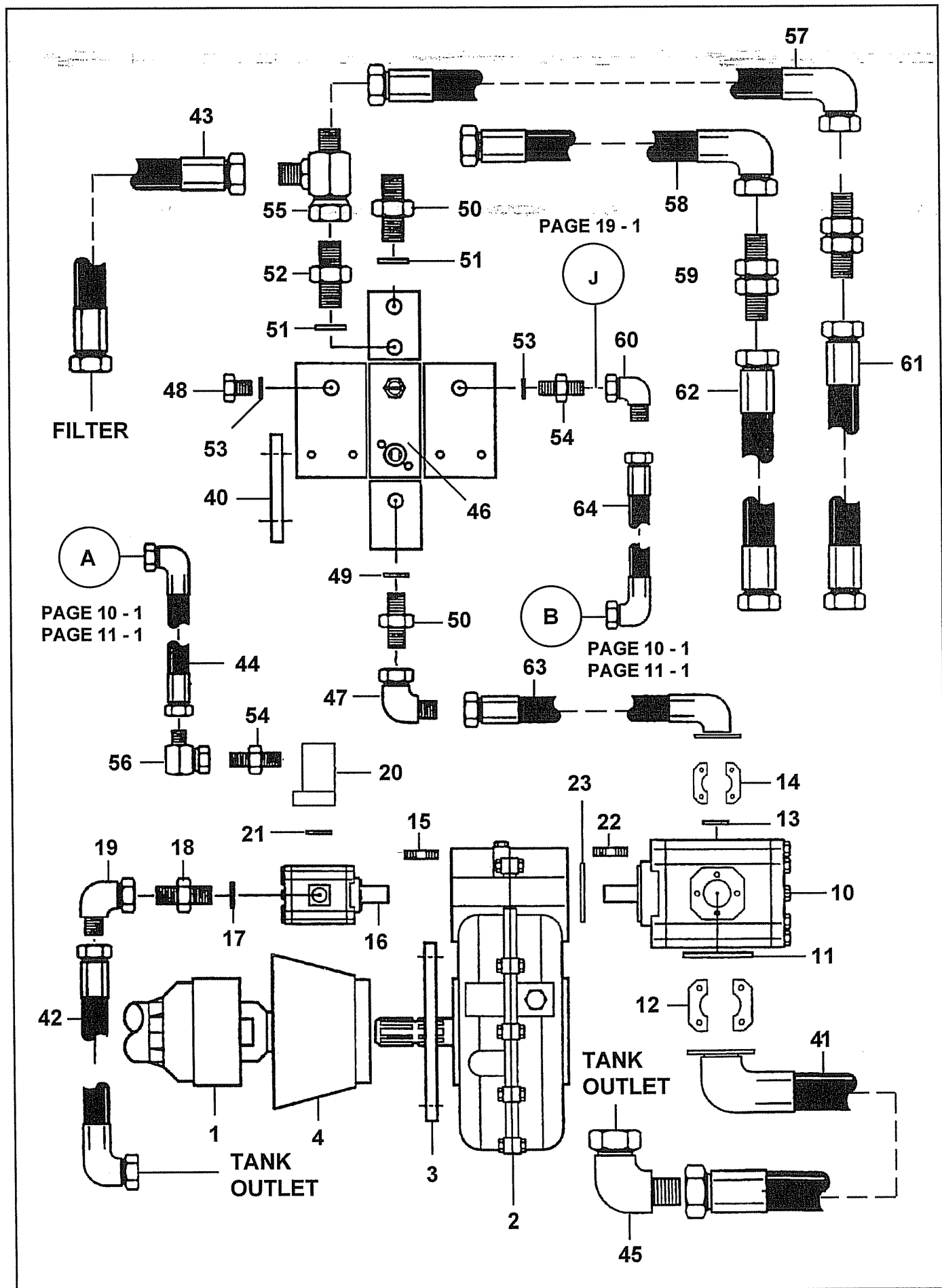
REF	PART NO	DESCRIPTION	QTY
76.179.01/76.149.01 CRANKED ARM ASSY - 2ND LH/RH			
*30	09.935.01	ARM - SECOND LH	1
30	09.935.02	ARM - SECOND RH	1
30	05.953.04	GREASE NIPPLE M10 90 DEG	1
31	08.297.02	BUSH - PLASTIC 47 X 40 X 40	5
*32	03.653.61	PIN - DIA 25 X 128	1
32	05.625.30	SOCKET CAPSCREW M8 X 55 PLATED	1
32	05.625.01	SELF-LOCKING NUT M8 PLATED	1
*33	03.653.58	PIN - DIA 25 X 138	1
33	05.625.29	SOCKET CAPSCREW M8 X 50 PLATED	1
33	05.287.01	SELF-LOCKING NUT M8 PLATED PLATED	1
*34	04.282.69	STUD - M10 X 105	3
34	05.281.02	FLAT WASHER 10MM PLATED FORM C	2
34	05.282.02	SPRING WASHER 10MM PLATED	3
34	05.286.02	NUT M10 PLATED	6
35	41761.02	HOSE GUARD - SECOND ARM	1
*36	03.654.60	PIN - DIA 30 X 164	1
36	05.287.01	SELF-LOCKING NUT M8 PLATED	1
37	06.418.05	CLAMP PLATE 95 X 6	1
38	06.430.18	HOSE CLAMP-LOWER	3
39	06.430.17	HOSE CLAMP - UPPER	3

*MAIN PART IN GROUP, RELATED PARTS HAVE SAME REFERENCE NUMBER



REF	PART NO	DESCRIPTION	QTY
76.290.01 PTO & GEARBOX ASSY - LH MACHINES			
*01	41624.01	PTO SHAFT ASSY 560 MM C/C	1
01	41624.31	CROSS JOURNAL SET	-
01	41624.32	COMPLETE SHIELD	-
02	05.264.23	SETSCREW M12 X 30MM PLATED	4
*02	07.727.02	GEAR BOX HITON LS 3:1 SAE B/A	1
02	07.727.56	'O' RING	1
03	05.264.25	SETSCREW M12 X 35MM PLATED	2
03	05.282.03	SPRING WASHER 12MM PLATED	6
03	05.286.03	NUT M12 PLATED	2
*03	09.920.01	PLATE - GEARBOX	1
04	05.281.01	FLAT WASHER 8MM PLATED	2
04	05.282.01	SPRING WASHER 8MM PLATED	2
04	05.839.03	SETSCREW M8 X 16MM PLATED	2
*04	08.548.01	GUARD - PLASTIC PTO CUP	1
76.415.01 PUMP ASSY-125L B49/54 TWP - LH MACHINES			
10	42233.01	GEAR PUMP - 125L COMMERCIAL	1
11	8600303	O RING 200-225-4490	1
12	0342104	CAPSCREW 1/2"UNC 1.1/4"LGBZP	4
*12	41.294.01	SPLIT FLANGE 1.1/2"SAE 3000PSI	1
13	8600124	O RING 200-219-4490	1
*14	01.697.03	SPLIT FLANGE 1"SAE3000PSI	1
14	0342103	CAPCREW 3/8"UNC 1.1/4"LGBZP	4
*15	03.100.01	STUD M10 X 34MM	2
15	05.287.02	SELF-LOCKING NUT M10 PLATED	2
16	41904.02	GEAR PUMP 10cc	1
17	05.290.05	BONDED SEAL 1/2"BSP	2
18	30.059.84	ADAPTOR 1/2 BSPM / 1 BSPM	1
19	05.835.02	ADAPTOR-SWIVEL 90 1"BSP M/F	1
20	05.625.25	SCKT CAPSCREW 5/16"UNC X 2.1/4	2
*21	30.210.91	CONNECTOR 1P E4Z OUT - PLATED	1
21	30.210.92	O RING 200-121-4490	1
*22	04.282.74	STUD - M12 X 46	2
22	05.281.03	FLAT WASHER 12MM PLATED	2
22	05.286.03	NUT M12 PLATED	2
23	7550316	GASKET 100 OD X 55 ID X 1 THICK	1

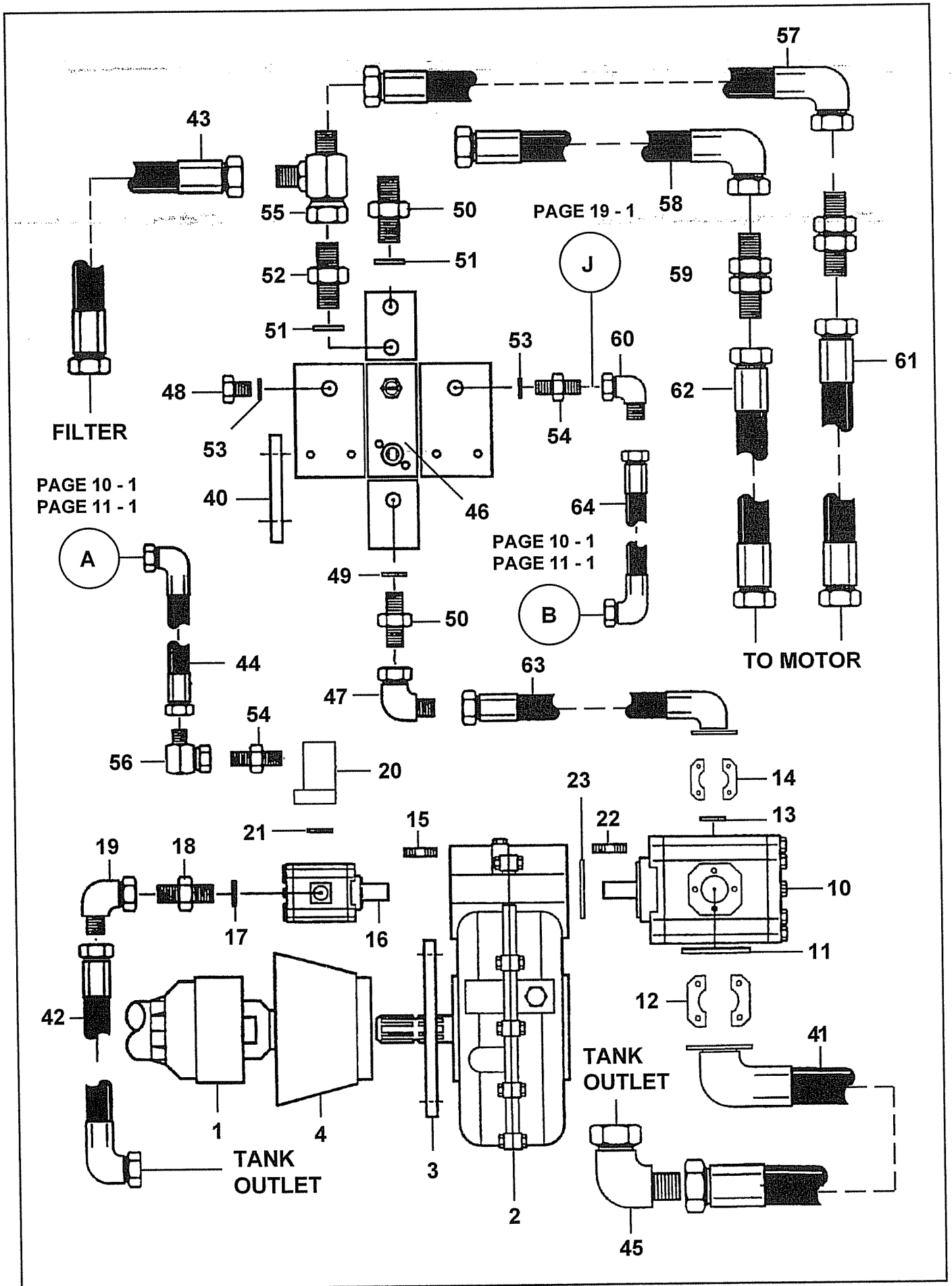
*MAIN PART IN GROUP, RELATED PARTS HAVE SAME REFERENCE NUMBER



REF	PART NO	DESCRIPTION	QTY
76.172.01 PUMP CIRC - B54 LH			
*40	09.921.01	PLATE - DIVERTER VALVE	1
40	05.264.24	SETSCREW M12 X 35MM PLATED	2
40	05.282.03	SPRING WASHER 12MM PLATED	2
41	10.024.10	HOSE 1.5"BSP ST X 90 FLANGE 1100	1
42	10.012.13	HOSE 1"BSP ST X 90 S.SEAL 650	1
43	10.011.12	HOSE 1" BSP ST/ST S.SEAL 600	1
44	10.004.17	HOSE 3/8"BSP ST X 90 S.SEAL 850	1
45	05.835.05	ADAPTOR-SWIVEL 90 1/2"BSP M/F	1
*46	06.284.16	DIVERTER/RELIEF ASSY - 207 BAR	1
46	05.281.01	FLAT WASHER 8MM PLATED	2
46	05.282.01	SPRING WASHER 8MM PLATED	2
46	05.291.07	BOLT M8 X 60MM PLATED	2
46	05.835.10	ADAPTOR 90 SWIVEL 1.1/2"BSP MF	1
46	06.284.02	SEAL KIT FOR (06.284.01) VALVE	-
47	05.835.01	ADAPTOR-SWIVEL 90 3/8"BSP M/F	1
48	05.433.01	PLUG 3/8"BSP PLATED	1
49	05.290.06	BONDED SEAL 3/4"BSP	2
50	05.373.01	ADAPTOR 3/4"BSP X 1"BSP	2
51	05.290.07	BONDED SEAL 1"BSP	1
52	05.434.01	ADAPTOR 1"BSP X 1"BSP	1
53	05.290.04	BONDED SEAL 3/8"BSP	2
54	05.123.01	ADAPTOR 1/2" BSP X 3/8" BSP	1
54	05.123.01	ADAPTOR 1/2" BSP X 3/8" BSP	1
55	04.056.02	ADAPTOR-SWIVEL TEE 1"BSP F/M/M	1
57	10.012.87	HOSE 1" BSP ST/90 S.SEAL 7700	1
58	10.012.86	HOSE 1"BSP ST X 90 S.SEAL 7600	1
59	08.128.03	ADAPTR 1"BSP BULKHEAD C/W LNUT	2
60	05.835.02	ADAPTOR-SWIVEL 90 1"BSP M/F	1
61	10.011.26	HOSE 1"BSP ST X ST S.SEAL 1600	1
62	10.011.26	HOSE 1"BSP ST X ST S.SEAL 1600	1
63	10.022.28	HOSE 1"BSP ST X 90 FLANGE 550	1
64	10.006.10	HOSE 1/2"BSP ST X 90 S.SEAL 500	1

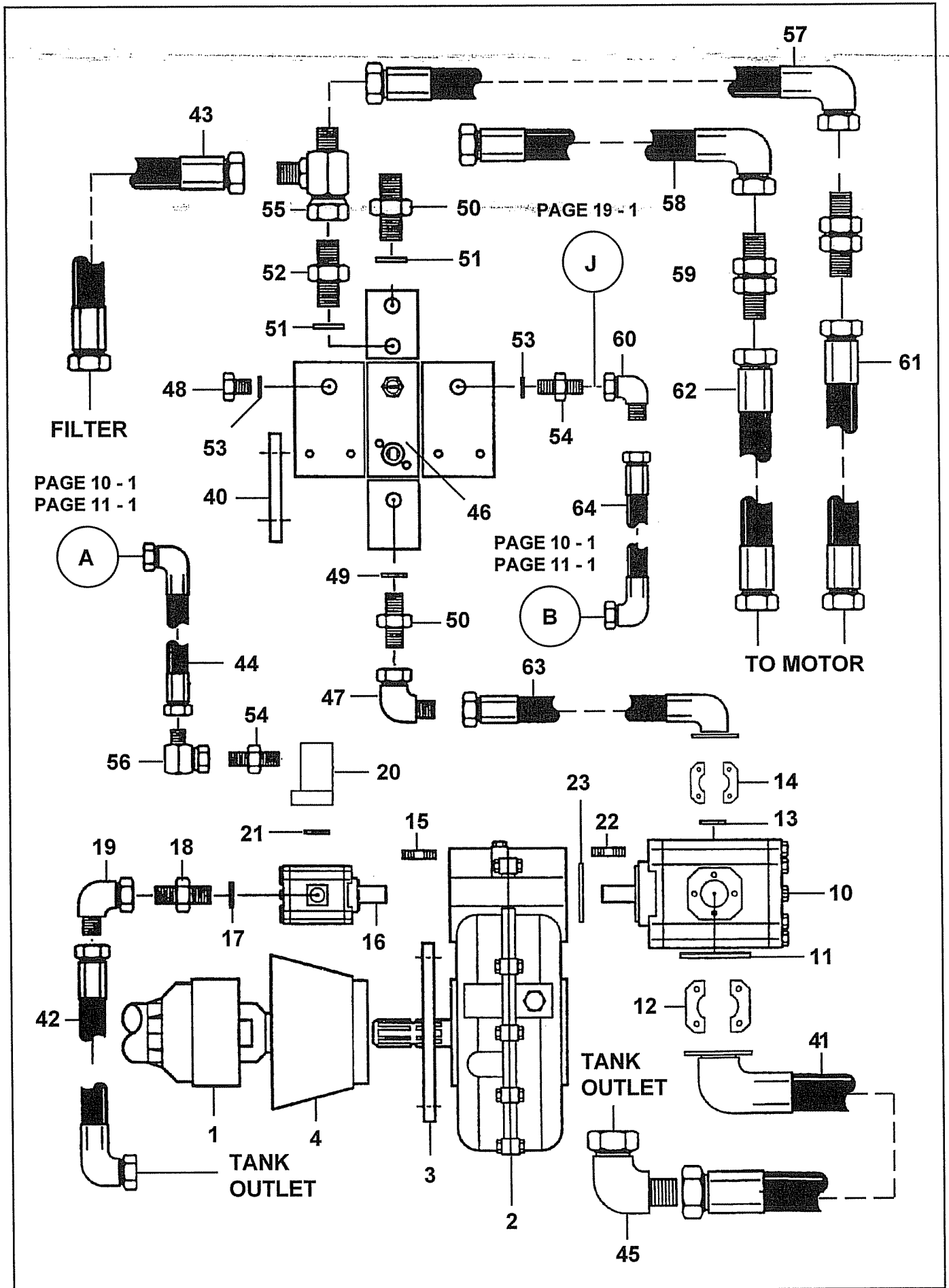
For hose sleeves see page 9 - 3

*MAIN PART IN GROUP, RELATED PARTS HAVE SAME REFERENCE NUMBER



REF	PART NO	DESCRIPTION	QTY
74.989.01 PTO & GEARBOX ASSY			
*01	41624.01	PTO SHAFT ASSY 560 MM C/C	1
01	41624.31	CROSS JOURNAL SET	-
01	41624.32	COMPLETE SHIELD	-
02	05.264.23	SETSCREW M12 X 30MM PLATED	4
*02	07.727.02	GEAR BOX HITON LS 3:1 SAE B/A	1
02	07.727.56	'O' RING	1
03	05.264.25	SETSCREW M12 X 40MM PLATED	2
03	05.282.03	SPRING WASHER 12MM PLATED	6
03	05.286.03	NUT M12 PLATED	2
*03	09.920.01	PLATE - GEARBOX	1
04	05.281.01	FLAT WASHER 8MM PLATED	2
04	05.282.01	SPRING WASHER 8MM PLATED	2
04	05.839.03	SETSCREW M8 X 16MM PLATED	2
*04	08.548.01	GUARD - PLASTIC PTO CUP	1
74.997.01 PUMP ASSY-125L B49/54/58 TWP RH MACHINES			
10	09.536.01	GEAR PUMP - ULTRA 3PL	1
11	8600303	O RING 200-225-4490	1
12	0342104	CAPSCREW 1/2"UNC 1.1/4"LGBZP	4
*12	41.294.01	SPLIT FLANGE 1.1/2"SAE 3000PSI	1
13	8600124	O RING 200-219-4490	1
*14	01.697.03	SPLIT FLANGE 1"SAE 3000PSI	1
14	0342103	CAPCREW 3/8"UNC 1.1/4"LGBZP	4
*15	03.100.01	STUD M10 X 34MM	2
15	05.287.02	SELF-LOCKING NUT M10 PLATED	2
16	09.537.02	GEAR PUMP - ULTRA 1P X 100	1
17	05.290.05	BONDED SEAL 1/2"BSP	2
18	30.059.84	ADAPTOR 1/2 BSPM / 1 BSPM	1
19	05.835.02	ADAPTOR-SWIVEL 90 1"BSP M/F	1
20	05.625.25	SCKT CAPSCREW 5/16"UNC X 2.1/4	2
*21	30.210.91	CONNECTOR 1P E4Z OUT - PLATED	1
21	30.210.92	O RING 200-121-4490	1
*22	04.282.74	STUD - M12 X 46	2
22	05.281.03	FLAT WASHER 12MM PLATED	2
22	05.286.03	NUT M12 PLATED	2
23	41421.01	GASKET - PUMP FACE	1

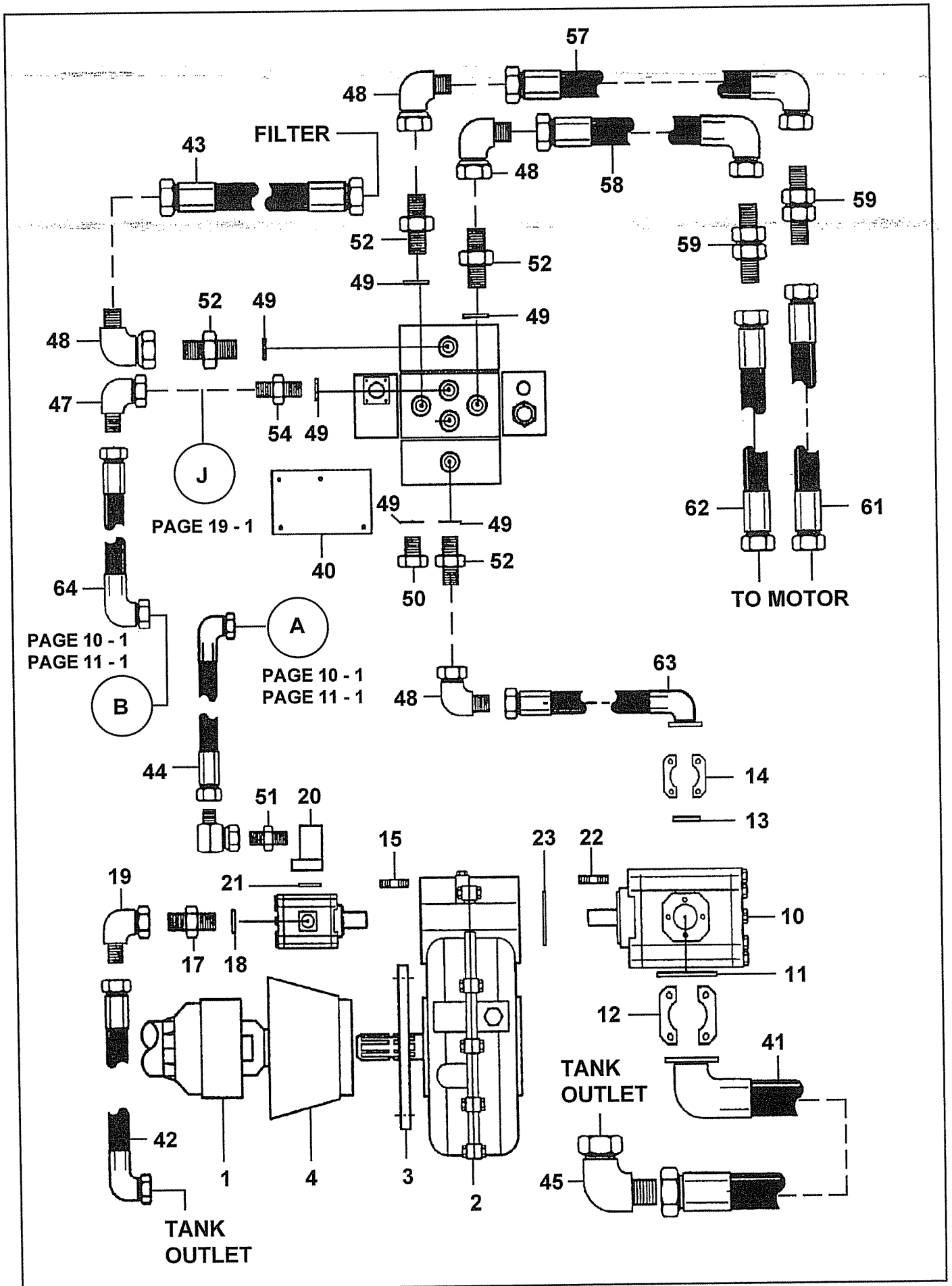
*MAIN PART IN GROUP, RELATED PARTS HAVE SAME REFERENCE NUMBER



REF	PART NO	DESCRIPTION	QTY
76.060.01 PUMP CIRC - B54 RH 125LT			
*40	09.921.01	PLATE - DIVERTER VALVE	1
40	05.264.24	SETSCREW M12 X 35MM PLATED	2
40	05.282.03	SPRING WASHER 12MM PLATED	2
41	10.024.04	HOSE 1.5"BSP F/S X 90 FLANGE 600	1
42	10.012.11	HOSE 1"BSP STX90 S.SEAL 550	1
43	10.011.12	HOSE 1" BSP ST/ST S.SEAL 600	1
44	10.004.17	HOSE 3/8"BSP ST X 90 S.SEAL 850	1
45	05.291.07	BOLT M8 X 60MM PLATED	2
45	05.835.10	ADAPTOR 90 SWIVEL 1.1/2"BSP MF	1
46	06.284.02	SEAL KIT FOR (06.284.01) VALVE	-
*46	06.284.16	DIVERTER/RELIEF ASSY - 207 BAR	1
46	06.299.03	RELIEF VALVE CARTRIDGE 207BAR	-
46	05.281.01	FLAT WASHER 8MM PLATED	2
46	05.282.01	SPRING WASHER 8MM PLATED	2
47	05.835.02	ADAPTOR-SWIVEL 90 1"BSP M/F	1
48	05.433.01	PLUG 3/8"BSP PLATED	1
49	05.290.06	BONDED SEAL 3/4"BSP	2
50	05.373.01	ADAPTOR 3/4"BSP X 1"BSP	2
51	05.290.07	BONDED SEAL 1"BSP	1
52	05.434.01	ADAPTOR 1"BSP X 1"BSP	1
53	05.290.04	BONDED SEAL 3/8"BSP	2
54	05.123.01	ADAPTOR 1/2" BSP X 3/8" BSP	2
55	04.056.02	ADAPTOR-SWIVEL TEE 1"BSP F/M/M	1
56	05.835.01	ADAPTOR-SWIVEL 90 3/8"BSP M/F	1
57	10.012.87	HOSE 1" BSP ST/90 S.SEAL 7700	1
58	10.012.86	HOSE 1"BSP ST X 90 S.SEAL 7600	1
59	08.128.03	ADAPTR 1"BSP BULKHEAD C/W LNUT	2
60	05.835.05	ADAPTOR-SWIVEL 90 1/2"BSP M/F	1
61	10.011.22	HOSE 1"BSP ST X ST S.SEAL 1200	1
62	10.011.22	HOSE 1"BSP ST X ST S.SEAL 1200	1
63	10.022.29	HOSE 1"ST(BSP) X 90 FLANGE 420	1
64	10.006.10	HOSE 1/2"BSP ST X 90 S.SEAL 500	1

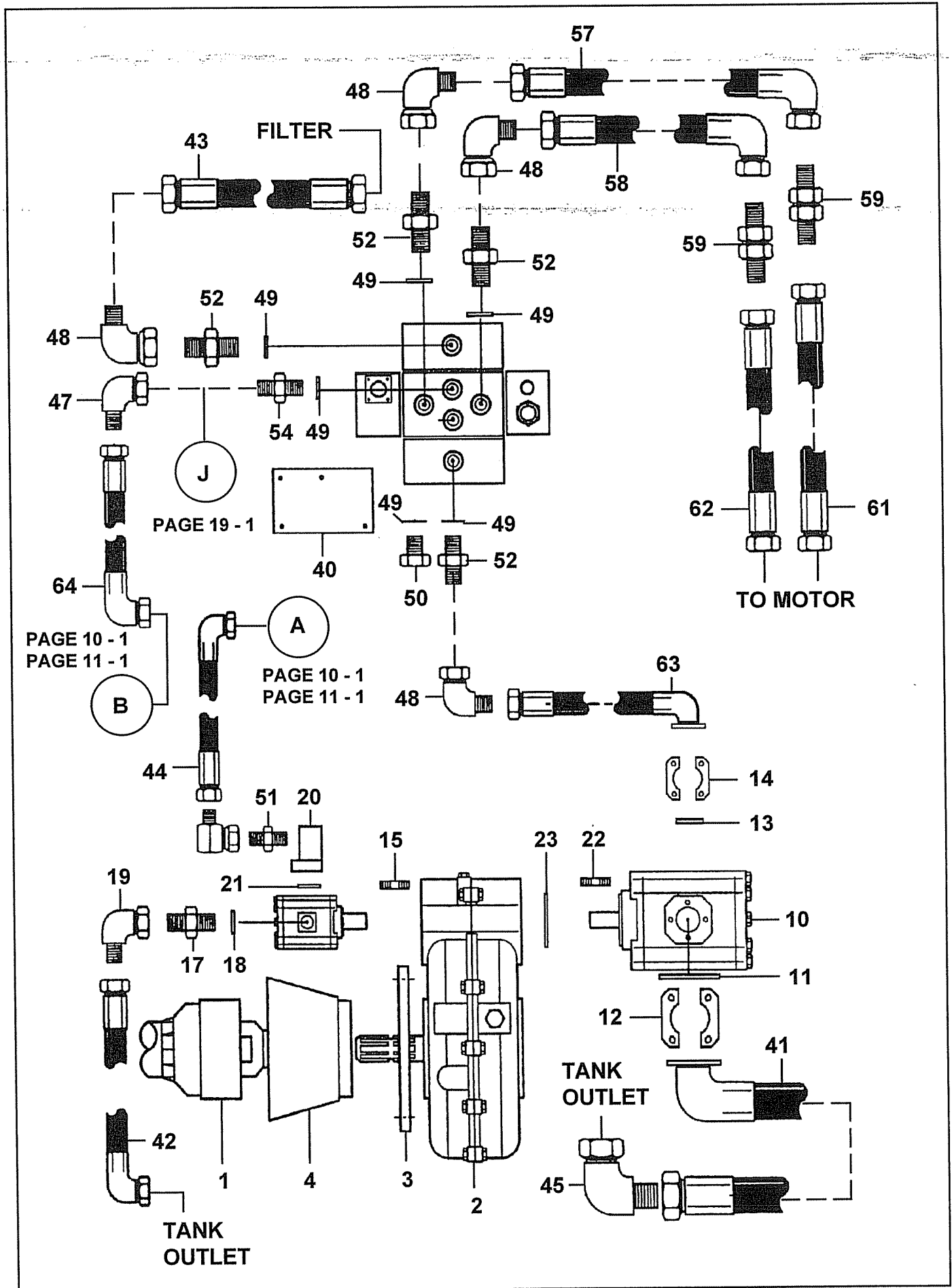
For hose sleeves see page 9 - 3

*MAIN PART IN GROUP, RELATED PARTS HAVE SAME REFERENCE NUMBER



REF	PART NO	DESCRIPTION	QTY
74.989.01 PTO & GEARBOX ASSY			
*01	41624.01	PTO SHAFT ASSY 560 MM C/C	1
01	41624.31	CROSS JOURNAL SET	-
01	41624.32	COMPLETE SHIELD	-
02	05.264.23	SETSCREW M12 X 30MM PLATED	4
*02	07.727.02	GEAR BOX HITON LS 3:1 SAE B/A	1
02	07.727.56	'O' RING	1
03	05.264.25	SETSCREW M12 X 35MM PLATED	2
03	05.282.03	SPRING WASHER 12MM PLATED	6
03	05.286.03	NUT M12 PLATED	2
*03	09.920.01	PLATE - GEARBOX	1
04	05.281.01	FLAT WASHER 8MM PLATED	2
04	05.282.01	SPRING WASHER 8MM PLATED	2
04	05.839.03	SETSCREW M8 X 16MM PLATED	2
*04	08.548.01	GUARD - PLASTIC PTO CUP	1
74.997.01 PUMP ASSY-125L B49/54/58 TWP			
10	09.536.01	GEAR PUMP - ULTRA 3PL	1
11	8600303	O RING 200-225-4490	1
12	0342104	CAPSCREW 1/2"UNC 1.1/4"LGBZP	4
*12	41.294.01	SPLIT FLANGE 1.1/2"SAE 3000PSI	1
13	8600124	O RING 200-219-4490	1
*14	01.697.03	SPLIT FLANGE 1"SAE3000PSI	1
14	0342103	CAPCREW 3/8"UNC 1.1/4"LGBZP	4
*15	03.100.01	STUD M10 X 34MM	2
15	05.287.02	SELF-LOCKING NUT M10 PLATED	2
16	09.537.02	GEAR PUMP - ULTRA 1PX100	1
17	05.290.05	BONDED SEAL 1/2"BSP	2
18	30.059.84	ADAPTOR 1/2 BSPM / 1 BSPM	1
19	05.835.02	ADAPTOR-SWIVEL 90 1"BSP M/F	1
20	05.625.25	SCKT CAPSCREW 5/16"UNC X 2.1/4	2
*21	30.210.91	CONNECTOR 1P E4Z OUT - PLATED	1
21	30.210.92	O RING 200-121-4490	1
*22	04.282.74	STUD - M12 X 46	2
22	05.281.03	FLAT WASHER 12MM PLATED	2
22	05.286.03	NUT M12 PLATED	2
23	41421.01	GASKET - PUMP FACE	1

*MAIN PART IN GROUP, RELATED PARTS HAVE SAME REFERENCE NUMBER



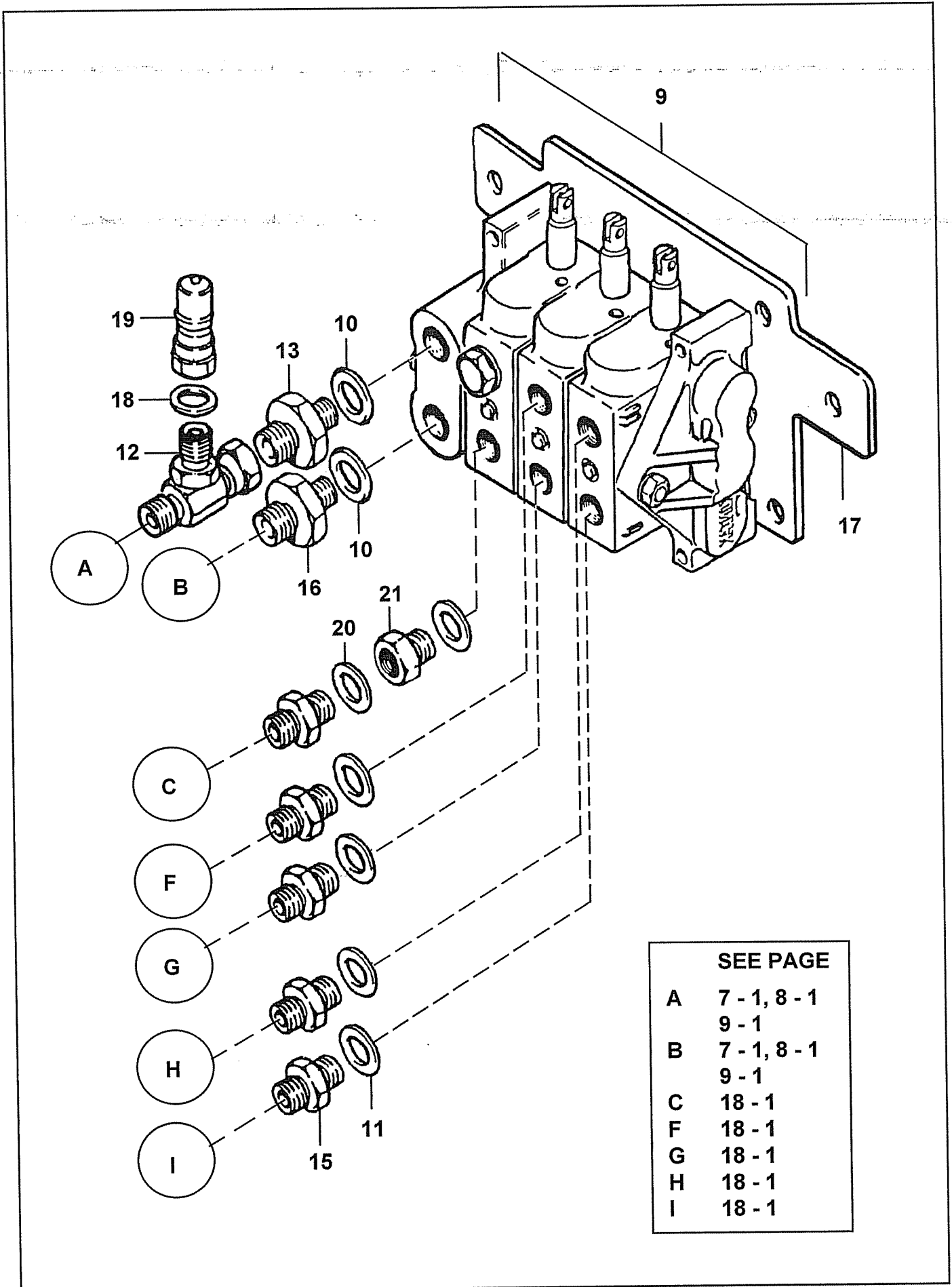
REF	PART NO	DESCRIPTION	QTY
76.067.01 PUMP CIRCUIT - GT54 RH			
*40	09.922.01	PLATE - DSR MOUNTING	1
40	05.264.21	SETSCREW M12 X 20MM PLATED	2
40	05.282.03	SPRING WASHER 12MM PLATED	2
41	10.024.04	HOSE 1.5"BSP F/S X 90 FLANGE 600	1
42	10.012.15	HOSE 1"BSP ST X 90 S.SEAL 750	1
43	10.011.12	HOSE 1" BSP ST/ST S.SEAL 600	1
44	10.004.17	HOSE 3/8"BSP ST X 90 S.SEAL 850	1
45	05.835.10	ADAPTOR 90 SWIVEL 1.1/2"BSP MF	1
46	8125095	CARTRIDGE VM10/1.Z3	-
*46	8125355	ROTOR CONTROL VALVE - LH	1
46	8125385	ROTOR CONTROL VALVE - RH	1
46	9343033	M6 X 16 SOCKET HEAD CAP	2
46	05.264.13	SETSCREW M10 X 30MM PLATED	2
46	05.281.02	FLT WASHER 10MM PLATED FORM C	2
46	05.282.02	SPRING WASHER 10MM PLATED	2
47	05.835.05	ADAPTOR-SWIVEL 90 1/2"BSP M/F	1
48	30.052.66	1" BSP M/F SWEEP ELBOWS	4
49	05.290.06	BONDED SEAL 3/4"BSP	6
50	05.313.01	BLANKING PLUG - 3/4" BSP	1
52	05.373.01	ADAPTOR 3/4"BSP X 1"BSP	4
54	05.376.01	ADAPTOR 3/4"BSP X 1/2"BSP	1
56	05.835.01	ADAPTOR-SWIVEL 90 3/8"BSP M/F	1
57	10.012.85 +	HOSE 1"BSP ST/90 S.SEAL 7500	1
57	10.012.87 ~	HOSE 1"BSP ST/90 S.SEAL 7700	1
58	10.012.84 +	HOSE 1"BSP STX90 S.SEAL 7400	1
58	10.012.86 ~	HOSE 1"BSP ST/90 S.SEAL 7600	1
59	08.128.03	ADAPTOR 1"BSP BULKHEAD C/W LNUT	2
61	10.011.22	HOSE 1"BSP ST X ST S.SEAL 1200	1
63	10.022.29	HOSE 1"ST(BSP) X 90 FLANGE 420	1
64	10.006.10	HOSE 1/2"BSP ST X 90 S.SEAL 500	1

+ = Straight Second Arm

~ = Cranked Second Arm

41.277.03 + HOSE SLEEVE 1ST/2ND ARM PIVOT (NOT ILLUSTRATED)
 41.277.01 ~ HOSE SLEEVE 1ST/2ND ARM PIVOT (NOT ILLUSTRATED)
 41.277.03 HOSE SLEEVE COWL PIVOT (NOT ILLUSTRATED)

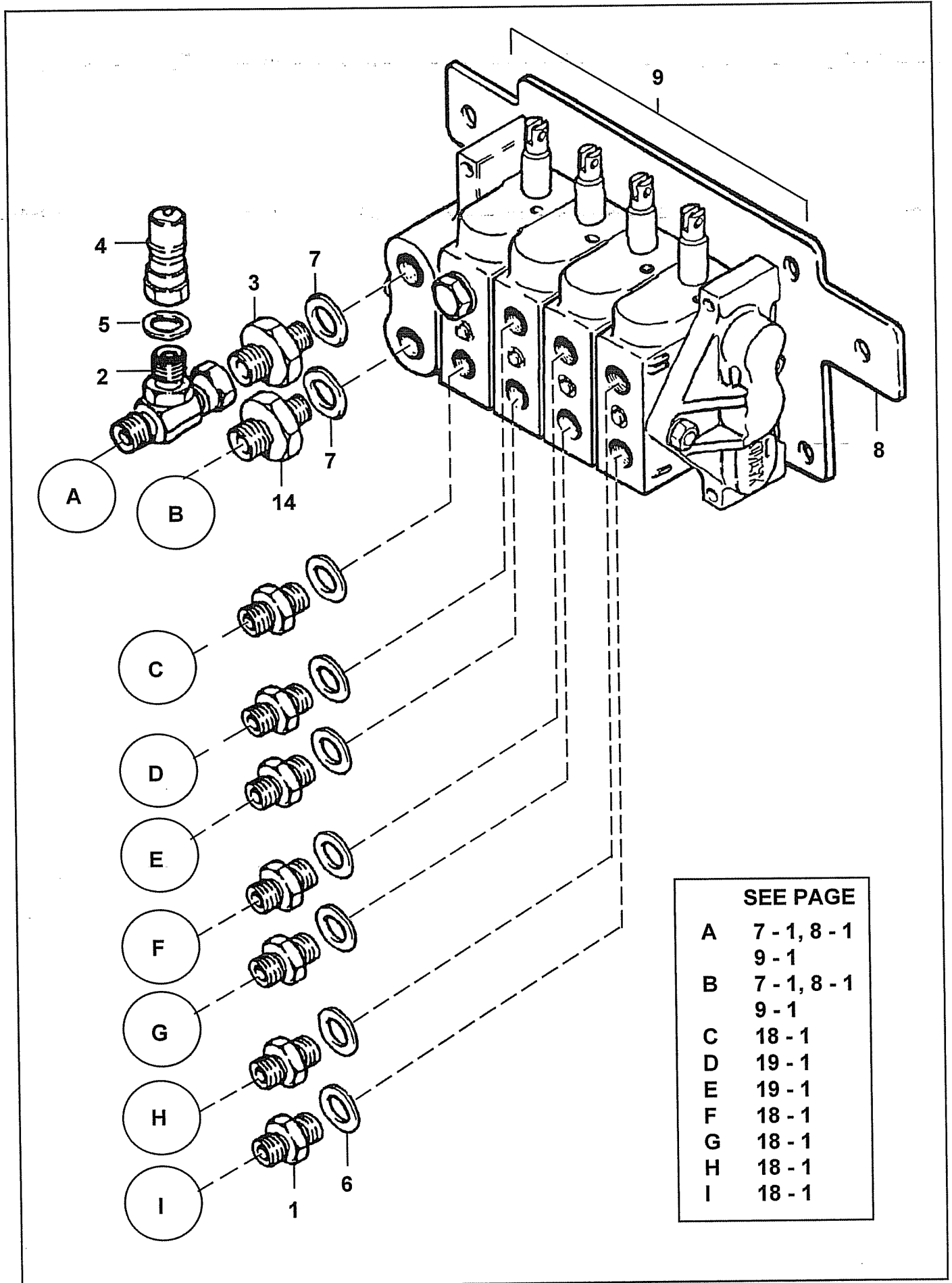
*MAIN PART IN GROUP, RELATED PARTS HAVE SAME REFERENCE NUMBER



SEE PAGE	
A	7 - 1, 8 - 1 9 - 1
B	7 - 1, 8 - 1 9 - 1
C	18 - 1
F	18 - 1
G	18 - 1
H	18 - 1
I	18 - 1

REF	PART NO	DESCRIPTION	QTY
76.082.01 CONTROL VALVE ASSY-CABLE			
*01	41335.01	VALVE ASSY-3 SPOOL	1
01	0342061	SKT CAPSCREW 1/4"UNC X 3/4" BZP	6
01	05.282.02	SPRING WASHER 10MM PLATED	3
01	05.286.02	NUT M10 PLATED	3
01	05.291.18	BOLT M10 X 65 PLATED	3
10	05.290.06	BONDED SEAL 3/4"BSP	2
11	05.290.05	BONDED SEAL 1/2"BSP	5
12	04.056.16	ADAPTOR F/M/M 3/8 X 3/8 X 1/4 BSP	1
13	05.128.01	ADAPTOR 3/4" BSP X 3/8" BSP	1
14	03.028.15	RESTRICTOR 3/8 X 3/8" BSP 1.7MM	1
15	01.099.03	ADAPTOR 1/2BSP X 1/4BSP	4
16	05.376.01	ADAPTOR 3/4"BSP X 1/2"BSP	1
17	05.264.23	SETSCREW M12 X 30MM PLATED	2
17	05.282.03	SPRING WASHER 12MM PLATED	2
17	05.286.03	NUT M12 PLATED	2
17	09.680.01	PLATE - VALVE MOUNTING	1
18	05.290.02	BONDED SEAL 1/4"BSP	1
19	05.146.12	Q/R COUPLING 1/4" BSP MALE	1
20	05.290.04	BONDED SEAL 3/8"BSP	1
21	05.225.01	ADAPTOR-RDCG.1/2"BSP X 3/8"BSP	1

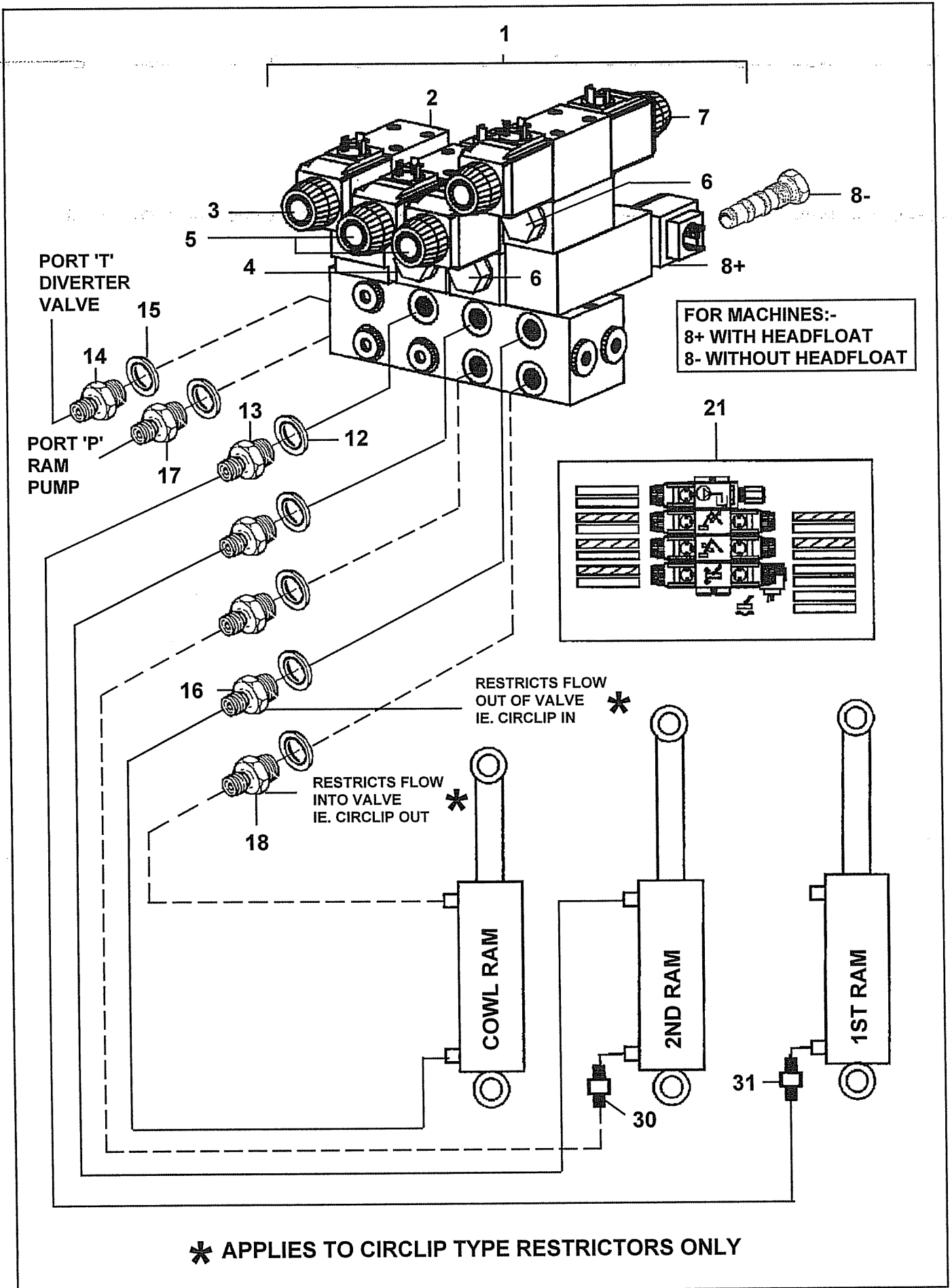
*MAIN PART IN GROUP, RELATED PARTS HAVE SAME REFERENCE NUMBER



SEE PAGE	
A	7 - 1, 8 - 1 9 - 1
B	7 - 1, 8 - 1 9 - 1
C	18 - 1
D	19 - 1
E	19 - 1
F	18 - 1
G	18 - 1
H	18 - 1
I	18 - 1

REF	PART NO	DESCRIPTION	QTY
76.031.01 CONTROL VALVE ASSY-CABLE			
*01	41335.02	VALVE ASSY-4 SPOOL	1
01	0342061	SKT CAPSCREW 1/4"UNC X 3/4" BZP	8
01	05.282.02	SPRING WASHER 10MM PLATED	3
01	05.286.02	NUT M10 PLATED	3
01	05.291.18	BOLT M10 X 65 PLATED	3
10	05.290.06	BONDED SEAL 3/4"BSP	2
11	05.290.05	BONDED SEAL 1/2"BSP	7
12	04.056.16	ADAPTOR F/M/M 3/8 X 3/8 X 1/4 BSP	1
13	05.128.01	ADAPTOR 3/4" BSP X 3/8" BSP	1
14	05.376.01	ADAPTOR 3/4"BSP X 1/2"BSP	1
15	01.099.03	ADAPTOR 1/2"BSP X 1/4"BSP	7
17	05.264.23	SETSCREW M12 X 30MM PLATED	2
17	05.282.03	SPRING WASHER 12MM PLATED	2
17	05.286.03	NUT M12 PLATED	2
*17	09.680.01	PLATE - VALVE MOUNTING	1
18	05.290.02	BONDED SEAL 1/4"BSP	1

*MAIN PART IN GROUP, RELATED PARTS HAVE SAME REFERENCE NUMBER



REF	PART NO	DESCRIPTION	QTY
76.427.01/76.427.02/76.427.10 EPP II 3 SV - HF VALVE ASSEMBLY			
*01	41784.04	CONTROL VALVE 3 SERVICE	1
01	05.282.09	SPRING WASHER 5MM PLATED	4
01	30.073.93	SCREW M5 X 16MM 8.8 GRADE	4
02	41784.37	RELIEF VALVE CARTRIDGE 207 BAR	-
03	08.852.51	CETOP 3 VENT VALVE	-
04	08.852.55	CETOP 3 SINGLE PO CHECK VALVE	-
05	41784.31	SPOOL VALVE PROPORTIONAL	-
06	08.852.53	CETOP 3 DUAL PO CHECK VALVE	-
07	08.852.52	CETOP 3 MOTOR SPOOL VALVE	-
-08	41784.38	BLANKING PLUG	-
12	05.290.04	BONDED SEAL 3/8"BSP	5
13	01.099.01	ADAPTOR 3/8BSP X1/4BSP	3
14	05.122.01	ADAPTOR 1/2" BSP X 1/2" BSP	1
15	05.290.05	BONDED SEAL 1/2"BSP	2
16	07.605.01	RESTRICTOR 3/8" X 1/4"BSP 1.00	1
17	05.123.01	ADAPTOR 1/2" BSP X 3/8" BSP	1
18	07.605.01	RESTRICTOR 3/8 X 1/4"BSP 1.00MM	1
21	41814.01	DECAL - 3 SERVICE	1
30	03.028.12	RESTRICTOR 3/8" X 1/4"	1
31	03.028.12	RESTRICTOR 3/8" X 1/4"	1

FOR MACHINES WITH HEAD FLOAT

01	41784.01	CONTROL VALVE PROPORTIONAL 3 SERVICE	1
+08	47184.33	VALVE CARTRIDGE - HEAD FLOAT	-

- **For machines without head float**

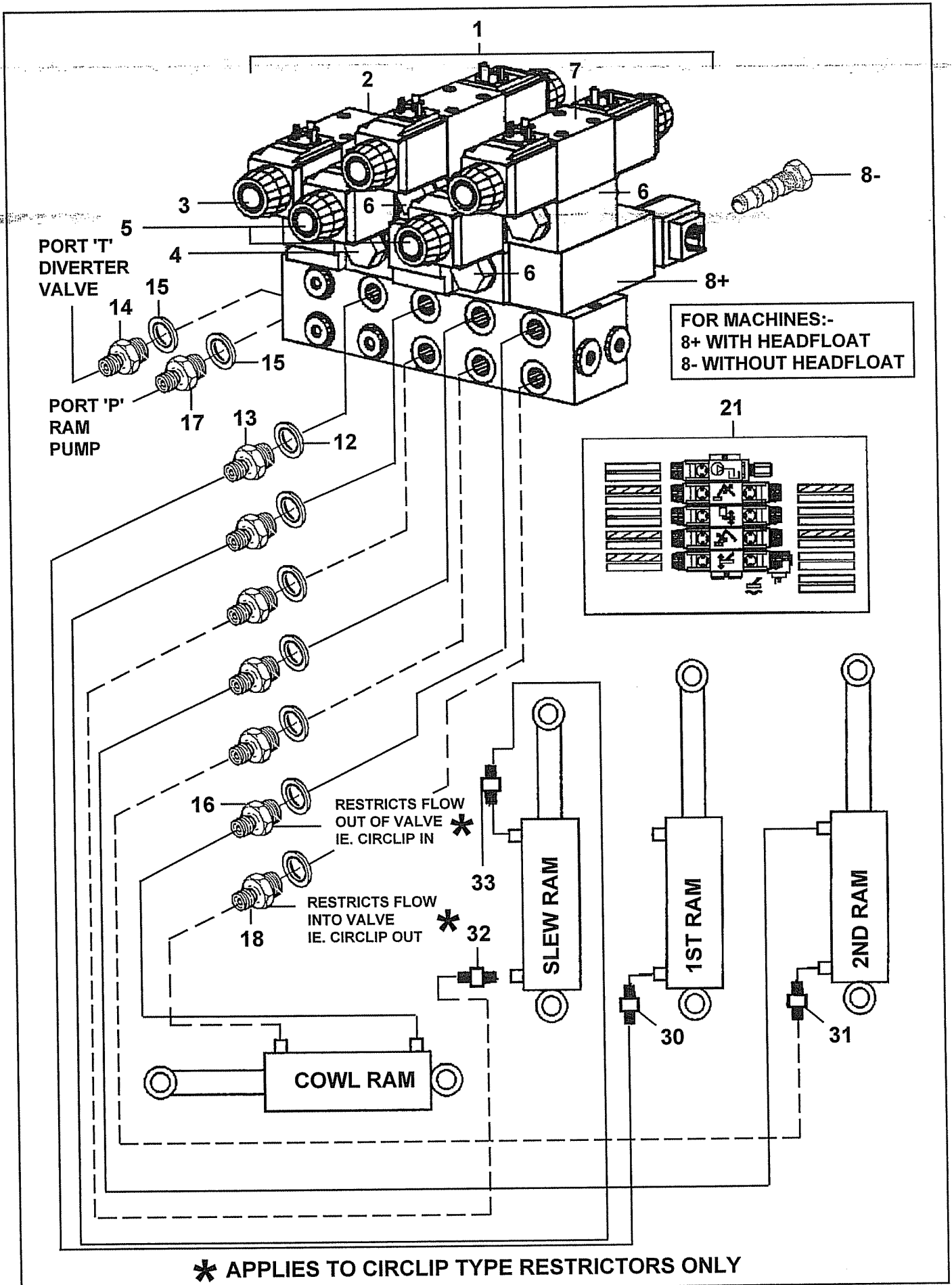
+ **For machines with head float**

76.427.10 EPPII B49/54/58T CONTROL VALVE INSTALLATION ASSY LH/RH

10	41.050.01	PLATE - VALVE MOUNTING	NI	1
*11	09.750.01	VALVE COVER LH	NI	1
11	09.750.02	VALVE COVER RH	NI	1
11	05.264.01	SETSCREW M8 X 20MM PLATED		4
11	05.281.01	FLAT WASHER 8MM PLATED		4
11	05.282.01	SPRING WASHER 8MM PLATED		4

NI = Not illustrated

***MAIN PART IN GROUP, RELATED PARTS HAVE SAME REFERENCE NUMBER**



REF	PART NO	DESCRIPTION	QTY
76.427.03/76.427.10 EPP II 4SV -HF VALVE ASSEMBLY			
*01	41784.05	CONTROL VALVE 4 SERVICE	1
01	05.282.09	SPRING WASHER 5MM PLATED	4
01	30.073.93	SCREW M5 X 16MM 8.8 GRADE	4
02	41784.37	RELIEF VALVE CARTRIDGE 207 BAR	-
03	08.852.51	CETOP 3 VENT VALVE	-
04	08.852.55	CETOP 3 SINGLE PO CHECK VALVE	-
05	41784.31	SPOOL VALVE PROPORTIONAL	-
06	08.852.53	CETOP 3 DUAL PO CHECK VALVE	-
07	08.852.52	CETOP 3 MOTOR SPOOL VALVE	-
-08	41784.38	BLANKING PLUG	-
09	41784.39	RELIEF VALVE CARTRIDGE 136BAR	-
12	05.290.04	BONDED SEAL 3/8"BSP	7
13	01.099.01	ADAPTOR 3/8BSP X1/4BSP	5
14	05.122.01	ADAPTOR 1/2" BSP X 1/2" BSP	1
15	05.290.05	BONDED SEAL 1/2"BSP	2
16	07.605.01	RESTRICTOR 3/8" X 1/4"BSP 1.00	1
17	05.123.01	ADAPTOR 1/2" BSP X 3/8" BSP	1
18	07.605.01	RESTRICTOR 3/8 X 3/8"BSP 1.00MM	1
21	41814.02	DECAL - 4 SERVICE	1
30	03.028.12	RESTRICTOR 3/8" X 1/4"	1
31	03.028.12	RESTRICTOR 3/8" X 1/4"	1
32	03.028.12	RESTRICTOR 3/8" X 1/4"	1
33	03.028.16	RESTRICTOR 3/8" X 1/4"	1

FOR MACHINES WITH HEAD FLOAT

01	41784.02	CONTROL VALVE PROPORTIONAL 4 SERVICE	1
+08	41784.33	VALVE CARTRIDGE - HEAD FLOAT	-

- **For machines without head float**

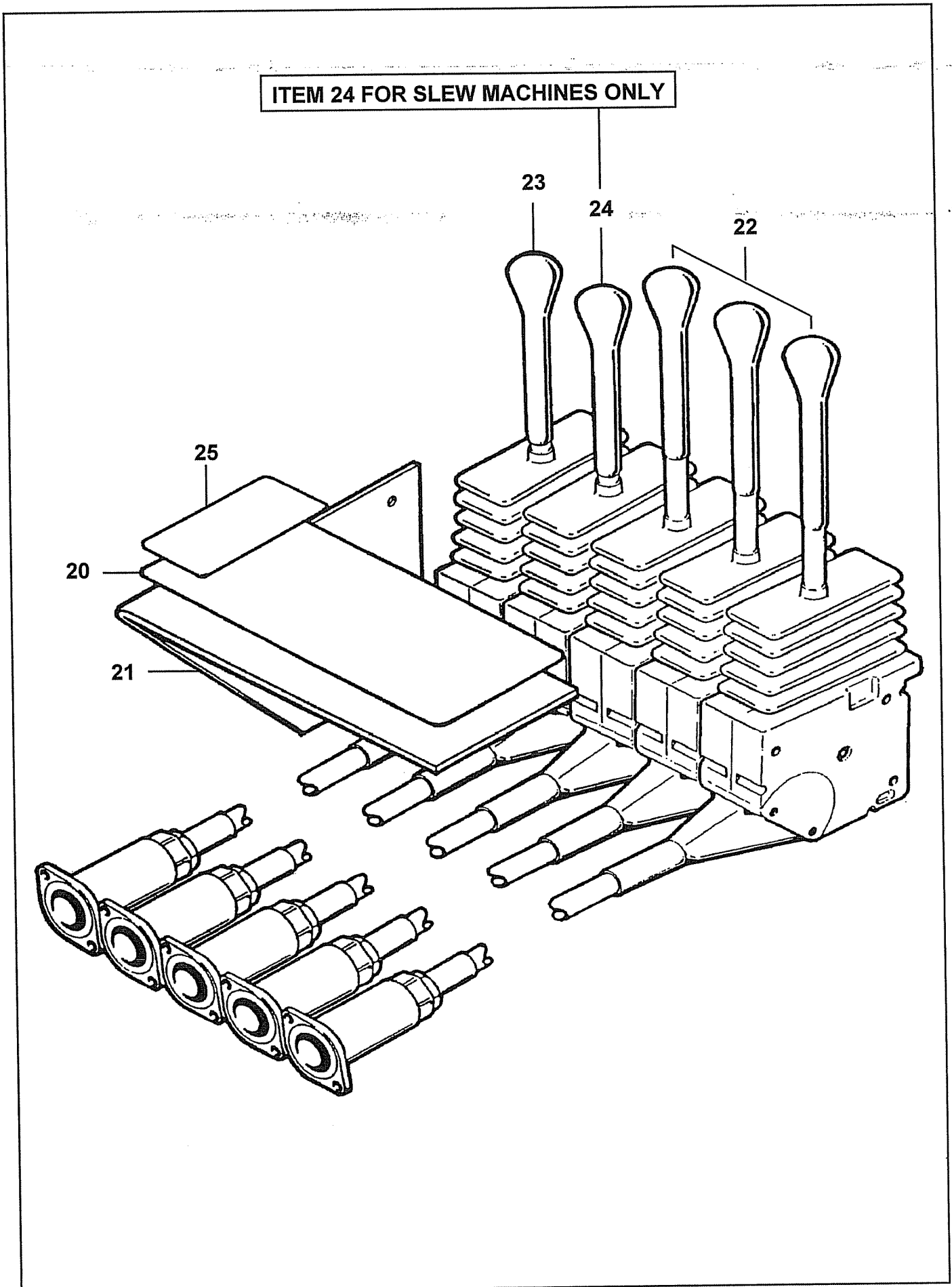
+ **For machines with head float**

76.427.10 EPP II B49/54/58T CONTROL VALVE INSTALLATION ASSY LH/RH

10	41.050.01	PLATE - VALVE MOUNTING	NI	1
*11	09.750.01	VALVE COVER LH	NI	1
11	09.750.02	VALVE COVER RH	NI	1
11	05.264.01	SETSCREW M8 X 20MM PLATED		4
11	05.281.01	FLAT WASHER 8MM PLATED		4
11	05.282.01	SPRING WASHER 8MM PLATED		4

NI = Not illustrated

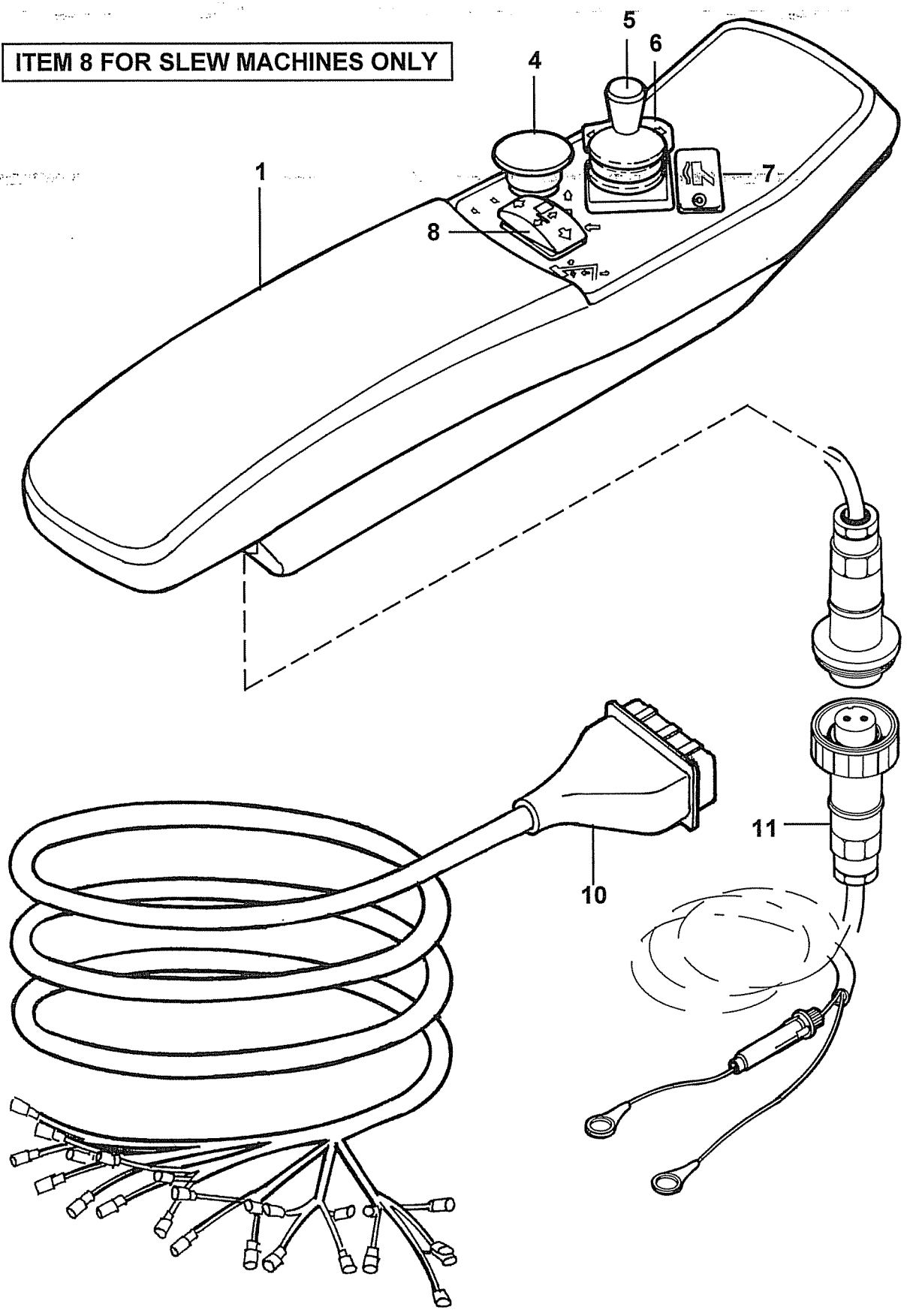
***MAIN PART IN GROUP, RELATED PARTS HAVE SAME REFERENCE NUMBER**



REF	PART NO	DESCRIPTION	QTY
74.664.01/74.766.01 REMOTE CONTROL - CABLE SLEW LH/RH			
20	09.916.01	DECAL - LEVER OP. 5 LEVER LH	1
21	05.839.03	SETSCREW M8 X 16MM PLATED	2
21	05.948.07	WING NUT M8 - PLATED	2
*21	09.969.01	BRACKET-5 LEVER MOUNTING LH	1
21	09.969.02	BRACKET-5 LEVER MOUNTING RH	1
22	09.968.01	CABLE ASSY TMC-2.5M BLK LF	3
23	04.282.71	STUD - M6 X 233 PLATED	3
23	05.281.10	FLAT WASHER 6MM PLATED	3
23	05.282.07	SPRING WASHER 6MM PLATED	3
23	05.286.10	NUT M6 PLATED	6
*23	09.968.03	CABLE ASSY TMC - 3.0M RED SHRT	1
24	09.968.02	CABLE ASSY TMC - 2.5M BLK LF	1
74.733.01 REMOTE CONTROL - CABLE NON SLEW RH			
20	09.916.04	DECAL - LEVER OP. 4 LEVER RH	1
*21	09.970.02	BRACKET-4 LEVER MOUNTING RH	1
21	05.839.03	SETSCREW M8 X 16MM PLATED	2
21	05.948.07	WING NUT M8 - PLATED	2
22	09.968.01	CABLE ASSY TMC-2.5M BLK LF	3
*23	09.968.03	CABLE ASSY TMC - 3.0M RED SHRT	1
23	04.282.70	STUD - M6 X 191 PLATED	3
23	05.281.10	FLAT WASHER 6MM PLATED	3
23	05.282.07	SPRING WASHER 6MM PLATED	3
23	05.286.10	NUT M6 PLATED	6
74.825.01 REMOTE CONTROL-CABLE SLEW DSR RH			
20	09.916.02	DECAL - LEVER OP. 5 LEVER RH	1
*21	09.969.02	BRACKET-5 LEVER MOUNTING RH	1
21	05.839.03	SETSCREW M8 X 16MM PLATED	2
21	05.948.07	WING NUT M8 - PLATED	2
22	09.968.01	CABLE ASSY TMC-2.5M BLK LF	3
*22	09.968.02	CABLE ASSY TMC - 2.5M BLK LF	1
*23	09.968.04	CABLE ASSY TMC - 3.0M RED SHRT	1
23	04.282.71	STUD - M6 X 233 PLATED	3
23	05.281.10	FLAT WASHER 6MM PLATED	3
23	05.282.07	SPRING WASHER 6MM PLATED	3
23	05.286.10	NUT M6 PLATED	6
25	41.083.01	DECAL - ROTOR REVERSING	1

*MAIN PART IN GROUP, RELATED PARTS HAVE SAME REFERENCE NUMBER

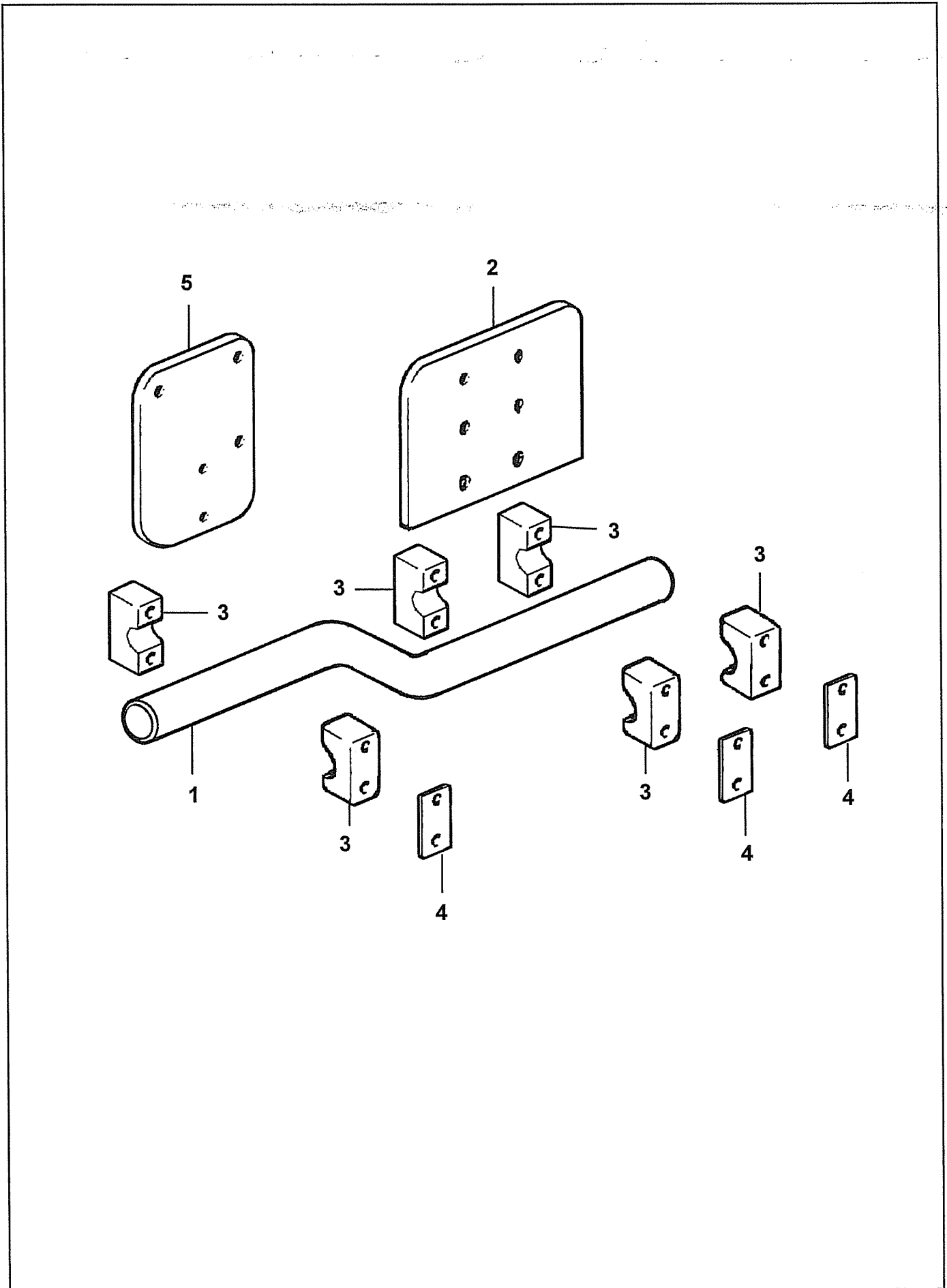
ITEM 8 FOR SLEW MACHINES ONLY



REF	PART NO	DESCRIPTION	QTY
76.426.01 EPP II REMOTE CONTROL ASSY LH/RH - 3 SERVICE			
*01	42226.01	CONTROL BOX 3 SERVICE LH	1
01	42226.02	CONTROL BOX 3 SERVICE RH	1
*02	42226.96	DECAL SET EPPII LH	NI
02	42226.95	DECAL SET EPPII RH	NI
03	42226.94	MAIN PCB ASSY EPPII	NI
04	41786.33	STOP SWITCH	-
05	41786.34	JOYSTICK ASSY	-
06	41786.35	SWITCH ASSY COWL	-
10	42197.11	WIRE LOOM	1
11	08.987.01	CABLE ASSY - 2 CORE X 5.5M	1
FOR MACHINES WITH HEAD FLOAT			
*01	42226.11	CONTROL BOX 3 SERVICE LH	1
01	42226.12	CONTROL BOX 3 SERVICE RH	1
07	41786.38	SWITCH ASSY HEAD FLOAT	-
76.426.05 EPP REMOTE CONTROL ASSEMBLY LH/RH - 4 SERVICE			
*01	42226.03	CONTROL BOX 4 SERVICE LH	1
01	42226.04	CONTROL BOX 4 SERVICE RH	1
*02	42226.96	DECAL SET EPPII LH	NI
02	42226.95	DECAL SET EPPII RH	NI
03	42226.94	MAIN PCB ASSY EPPII	NI
04	41786.33	STOP SWITCH	-
05	41786.34	JOYSTICK ASSY	-
06	41786.35	SWITCH ASSY COWL	-
08	41786.36	SWITCH ASSY SLEW	-
10	42197.12	WIRE LOOM	1
11	08.987.01	CABLE ASSY - 2 CORE X 5.5M HEAVY	1
FOR MACHINES WITH HEAD FLOAT			
*01	42226.13	CONTROL BOX 4 SERVICE LH	1
01	42226.14	CONTROL BOX 4 SERVICE RH	1
07	41786.38	SWITCH ASSY HEAD FLOAT	-

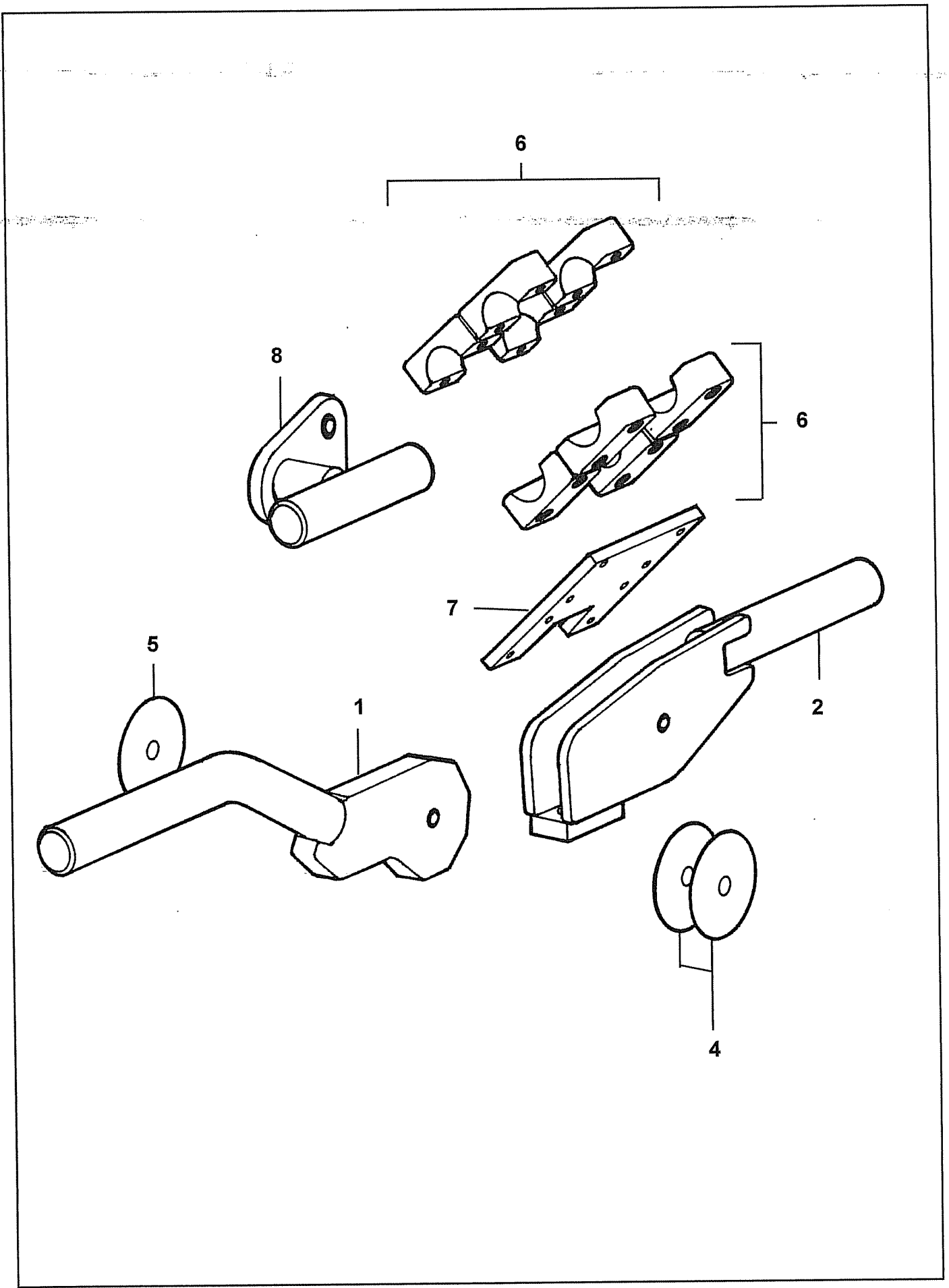
NI = Not illustrated

***MAIN PART IN GROUP, RELATED PARTS HAVE SAME REFERENCE NUMBER**



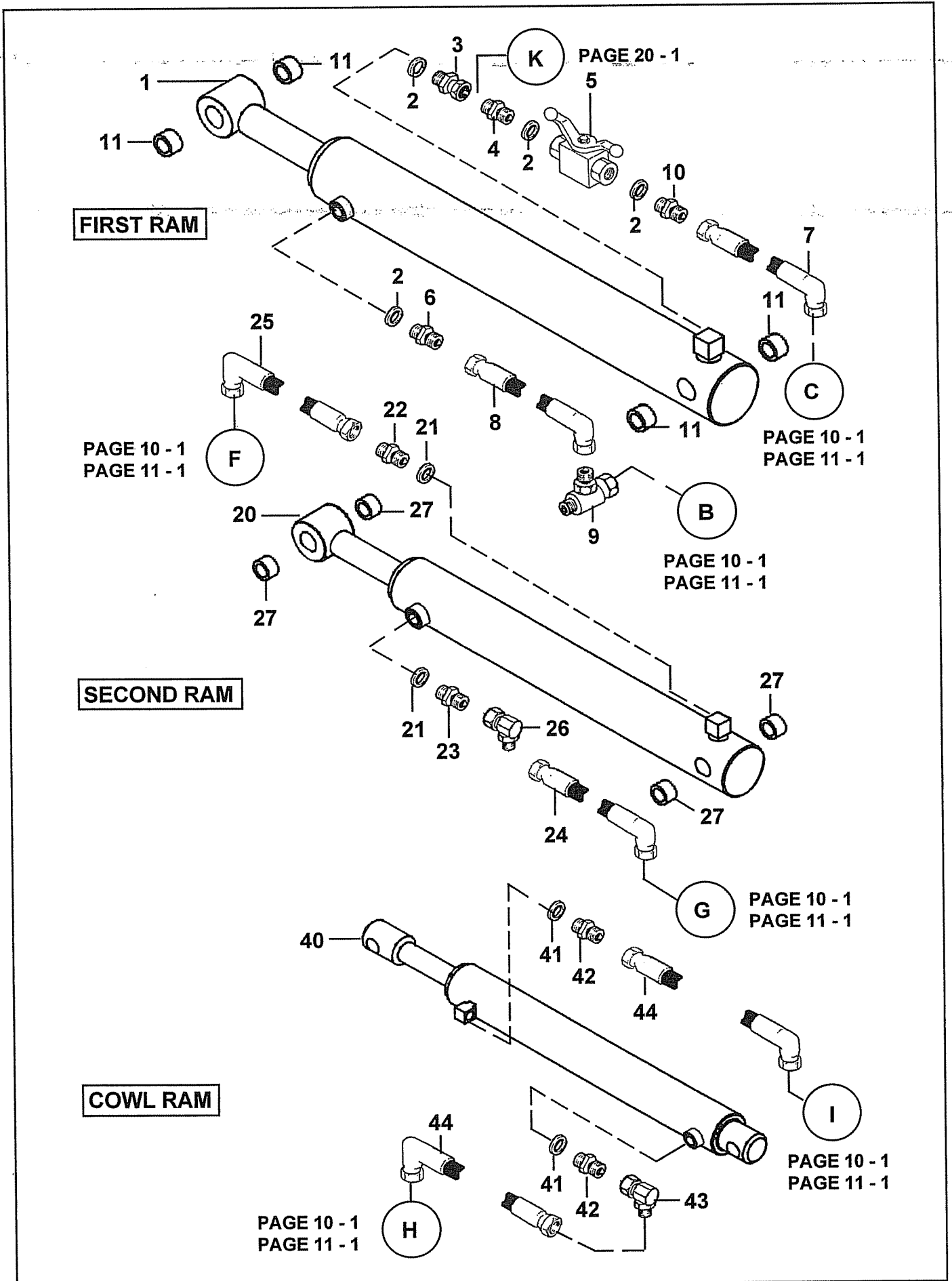
REF	PART NO	DESCRIPTION	QTY
76.426.23 EPP II REMOTE CONTROL ASSEMBLY CAB SIDE MOUNT			
01	42312.01	BRACKET - CAB MOUNTING	1
*02	08.317.01	PLATE - CONTROL BOX	1
02	05.264.02	SETSCREW M8 X 25MM PLATED	2
02	05.281.01	FLAT WASHER 8MM PLATED	2
02	05.282.01	SPRING WASHER 8MM PLATED	2
02	05.948.07	WING NUT M8 - PLATED	2
*03	30.209.71	CLAMP SINGLE 1"	6
03	30.068.90	BOLT M6 X 55 MM 8.8 GRADE Z/P.	4
03	30.070.64	NUT NYLOC M6.Z/P.	6
04	30.209.73	COVER PLATE	3
*05	41.046.01	PLATE - LEVER MOUNTING	1
05	05.282.07	SPRING WASHER 6MM PLATED	3
05	05.948.37	WINGNUT - M6 X 1.0	3
05	30.068.88	BOLT M6 X 45 MM 8.8 GRADE Z/P.	2
05	30.068.90	BOLT M6 X 55 MM 8.8 GRADE Z/P.	3

*MAIN PART IN GROUP, RELATED PARTS HAVE SAME REFERENCE NUMBER



REF	PART NO	DESCRIPTION	QTY
76.426.22 EPPII REMOTE CONTROL ASSY CAB SEAT MOUNTING			
01	42310.01	BRACKET - SEAT INNER HINGE	1
*02	42311.01	BRACKET - SEAT HINGE OUTER	1
02	05.281.01	FLAT WASHER 8MM PLATED	2
02	05.282.01	SPRING WASHER 8MM PLATED	1
02	05.286.01	NUT M8 PLATED	1
02	05.291.04	BOLT M8 X 45MM PLATED	1
*03	05.264.51	SETSCREW M10 X 65MM PLATED	1
03	05.286.02	NUT M10 PLATED	2
04	09.996.01	SHIM 0.5	2
05	09.996.02	SHIM 1.0	1
*06	30.209.71	CLAMP SINGLE 1"	8
06	05.625.16	SOCKET CAP SCREW M6 X 35 COARSE	8
07	42264.01	PLATE - UNIVERSAL SEAT MTG	1
08	42307.01	BRACKET - KAB SEAT	1

*MAIN PART IN GROUP, RELATED PARTS HAVE SAME REFERENCE NUMBER



REF	PART NO	DESCRIPTION	QTY
76.018.01 RAM CIRCUIT - 1ST			
01	05.953.01	GREASE NIPPLE M6	2
01	09.993.01	SEAL KIT FOR 09.993.XX RAMS	-
*01	09.993.06	RAM ASSY-D/A 80 BORE X 615 STK	1
02	05.290.04	BONDED SEAL 3/8"BSP	4
03	02.714.01	ADAPTOR-SWIVEL ST 3/8BSP M/F	1
04	05.124.01	ADAPTOR 3/8" BSP X 3/8" BSP	1
05	08.200.01	VALVE - ISOLATING 3/8" BSP	1
06	01.099.01	ADAPTOR 3/8BSP X1/4BSP	1
07	10.002.46	HOSE 1/4"BSP ST X 90 S.SEAL 3600	1
08	10.002.46	HOSE 1/4"BSP ST X 90 S.SEAL 3600	1
09	04.056.25	ADAPTOR T FMM 1/2" X 1/2" X 1/4"	1
+10	03.028.12	RESTRICTOR 3/8" X 1/4" BSP 1.70	1
-10	01.099.01	ADAPTOR 3/8BSP X1/4BSP	1
11	08.297.08	PLASTIC BUSH - 42 X 35 - 60	2

+ SLEW machines

- NON SLEW machines

74.643.01 RAM CIRCUIT - 2ND

20	05.953.01	GREASE NIPPLE M6	2
20	09.982.01	SEAL KIT FOR 09.982.XX RAMS	-
*20	09.982.09	RAM ASSY-D/A 60BORE X 605 STK	1
21	05.290.04	BONDED SEAL 3/8"BSP	2
22	01.099.01	ADAPTOR 3/8"BSP X1/4" BSP	1
23	03.028.12	RESTRICTOR 3/8" X 1/4" BSP 1.70	1
24	10.002.46	HOSE 1/4"BSP ST X 90 S.SEAL 3600	1
25	10.002.52	HOSE 1/4"BSP ST X 90 S.SEAL 4200	1
26	05.835.04	ADAPTOR - SWIVEL 90 1/4"BSP MF	1
27	08.297.09	PLASTIC BUSH - 32 X 25 - 50	2

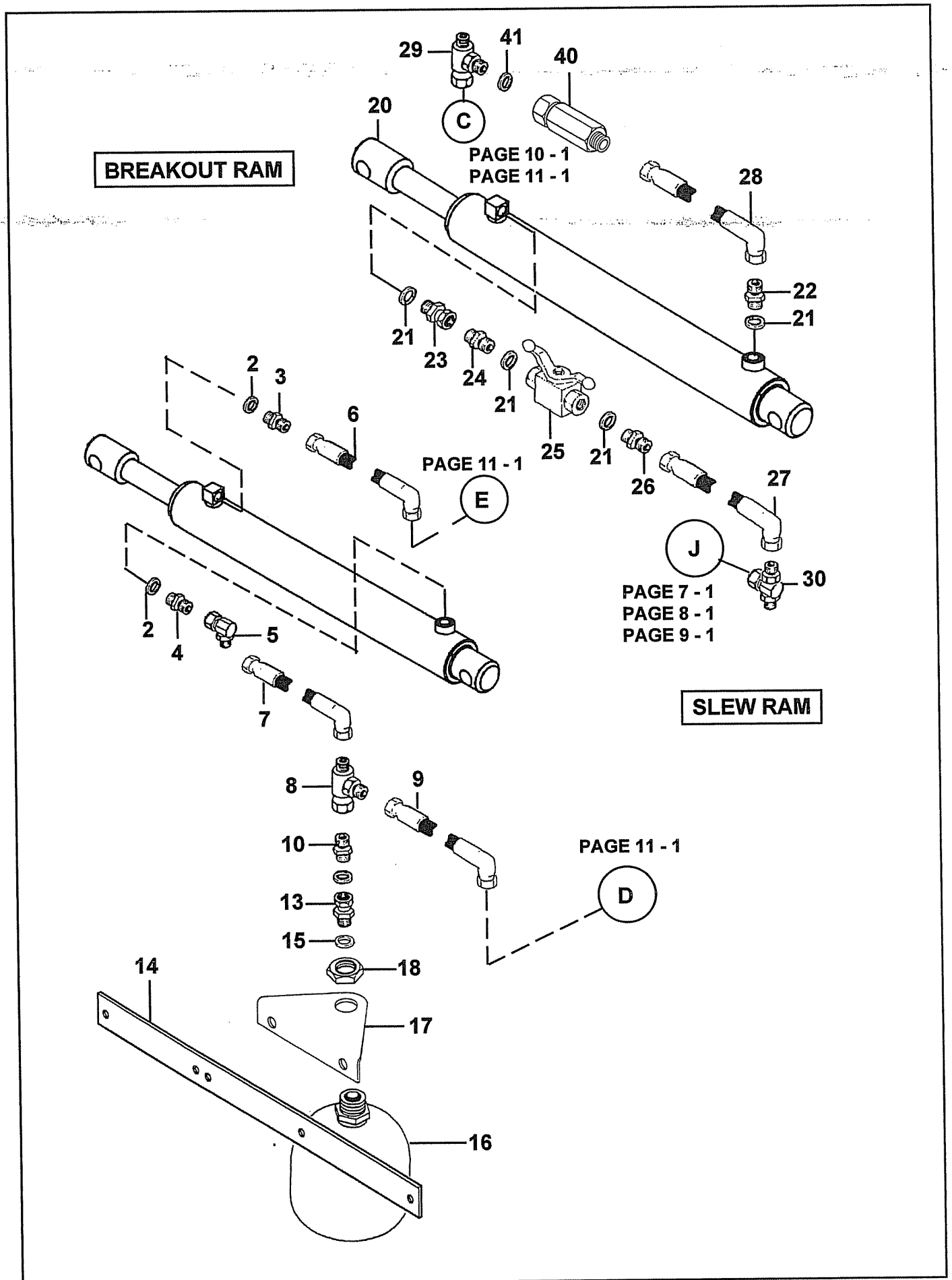
74.723.01 RAM CIRCUIT - COWL

*40	09.982.06	RAM ASSY - D/A 60 BORE X 430STK	1
40	05.953.01	GREASE NIPPLE M6	2
40	09.982.01	SEAL KIT FOR 09.982.XX RAMS	-
41	05.290.04	BONDED SEAL 3/8"BSP	2
42	◆ 03.028.08	RESTRICTOR 3/8" X 1/4"BSP 1.27	2
42	* 01.099.01	ADAPTOR 3/8" X 1/4"BSP	2
43	05.835.04	ADAPTOR - SWIVEL 90 1/4"BSP MF	1
44	10.002.77	HOSE 1/4"BSP ST/90 S.SEAL 6700	1

◆ = DSR and other machines

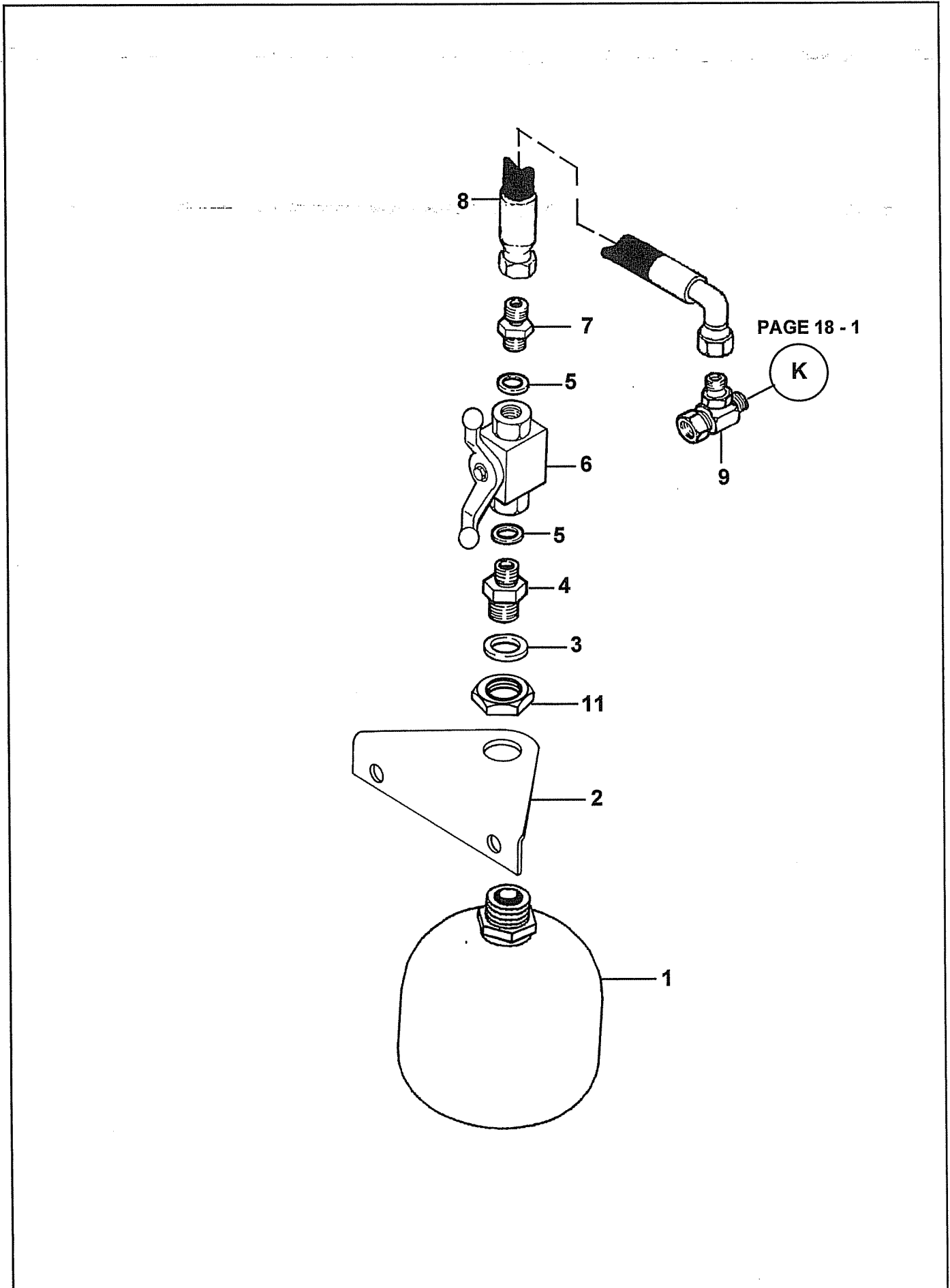
* = GT machines only

*MAIN PART IN GROUP, RELATED PARTS HAVE SAME REFERENCE NUMBER



REF	PART NO	DESCRIPTION	QTY
74.662.02 RAM CIRCUIT - SLEW			
01	05.953.01	GREASE NIPPLE M6	2
01	09.982.01	SEAL KIT FOR 09.982.XX RAMS	-
*01	09.982.02	RAM ASSY - D/A 60 BORE X 430ST	1
02	05.290.04	BONDED SEAL 3/8"BSP	3
03	03.028.14	RESTRICTOR 3/8 X 1/4"BSP 0.75MM	1
04	03.028.08	RESTRICTOR 3/8" X 1/4BSP 1.27	1
05	10.002.24	HOSE 1/4"BSP ST X 90 S.SEAL 1400	1
06	10.002.22	HOSE 1/4"BSP ST X 90 S.SEAL 1200	1
07	10.002.10	HOSE 1/4"BSP ST X 90 S.SEAL 500	1
08	04.056.10	ADAPTOR - TEE 1/4"BSP F/M/M	1
10	03.028.08	RESTRICTOR 3/8" X 1/4"BSP 1.27	1
13	8581284	ADAPTOR M22 X 3/8"BSP MF	1
14	05.264.21	SETSCREW M12 X 20MM PLATED	2
14	05.282.03	SPRING WASHER 12MM PLATED	2
*14	09.961.01	HYDRA CUSHION MOUNTING BRACKET	1
15	8650322	M22 BONDED SEAL	1
16	8126043	ACCUMULATOR 1.4LT - 90 BAR	1
*17	43237.01	BRACKET - HYDRA CUSHION	1
17	05.264.14	SETSCREW M10 X 35MM PLATED	2
17	05.287.02	SELF-LOCKING NUT M10 PLATED	2
18	8126035	NUT, M33 BULKHEAD	1
76.079.01 RAM CIRCUIT - BREAKOUT			
20	05.953.01	GREASE NIPPLE M6	2
20	09.982.01	SEAL KIT FOR 09.982.XX RAMS	-
*20	09.982.02	RAM ASSY - D/A 60 BORE X 430ST	1
21	05.290.04	BONDED SEAL 3/8"BSP	4
22	03.028.08	RESTRICTOR 3/8" X 1/4"BSP 1.27	1
23	02.714.01	ADAPTOR-SWIVEL ST 3/8BSP M/F	1
24	05.124.01	ADAPTOR 3/8" BSP X 3/8" BSP	1
25	08.200.01	VALVE - ISOLATING 3/8" BSP	1
26	01.099.01	ADAPTOR 3/8" BSP X 1/4"BSP	1
27	10.002.18	HOSE 1/4"BSP STX90 S.SEAL 900	1
28	10.002.24	HOSE 1/4"BSP ST X 90 S.SEAL 1400	1
29	04.056.29	ADAPTOR - TEE 3/8 X 1/4 X 1/4 FMM	1
30	04.056.25	ADAPTOR T FMM 1/2" X 1/2" X 1/4"	1
40	41.033.03	RELIEF VALVE ASSEMBLY	1
41	05.290.02	BONDED SEAL 1/4" BSP	1

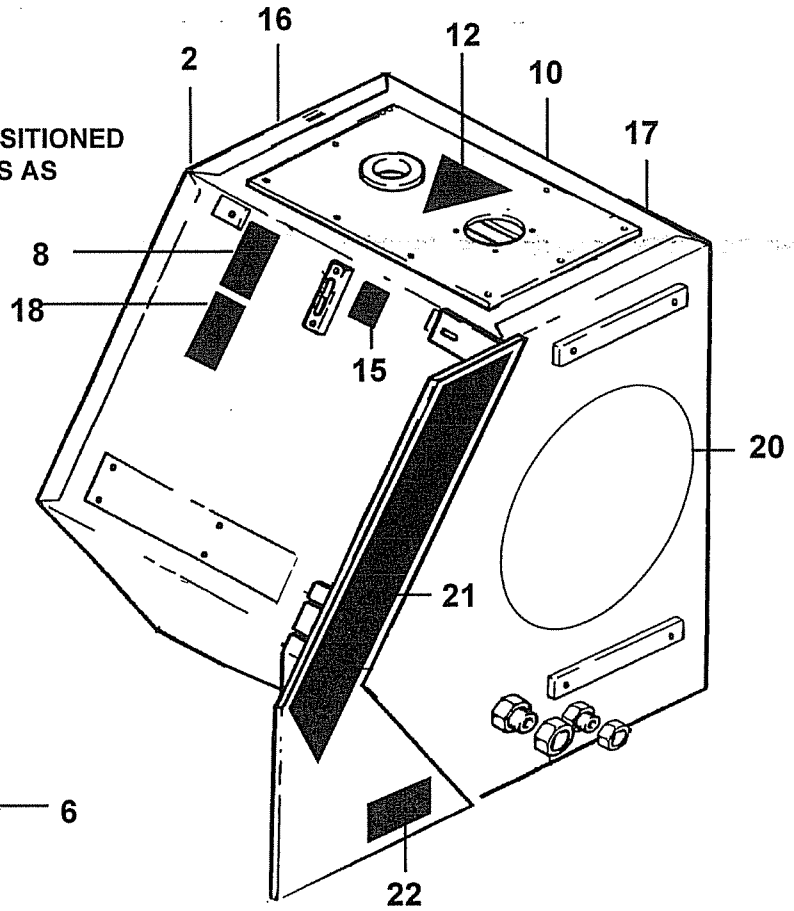
*MAIN PART IN GROUP, RELATED PARTS HAVE SAME REFERENCE NUMBER



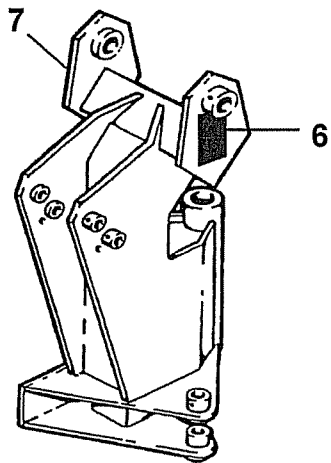
REF	PART NO	DESCRIPTION	QTY
76.377.01 ACCUMULATOR KIT			
01	41451.02	ACCUMULATOR 0.7 LTR (30 BAR)	1
*02	43239.01	BRACKET	1
02	04.282.24	STUD M10 X 29 PLATED	2
02	05.281.02	FLT WASHER 10MM PLATED FORM C	2
02	05.282.02	SPRING WASHER 10MM PLATED	2
02	05.286.02	NUT M10 PLATED	2
03	05.290.05	BONDED SEAL 1/2"BSP	1
04	05.123.01	ADAPTOR 1/2" BSP X 3/8" BSP	1
05	05.290.04	BONDED SEAL 3/8"BSP	2
06	08.200.01	VALVE - ISOLATING 3/8" BSP	1
07	05.124.01	ADAPTOR 3/8" BSP X 3/8" BSP	1
08	10.004.09	HOSE 3/8"BSP ST X 90 S.SEAL 450	1
09	11.068.69	ADAPTOR-TEE 3/8F-3/8M+3/8M	1
10	09.852.01	DECAL - ARM FLOAT	1
11	0126038	NUT, M33 BULKHEAD	1

*MAIN PART IN GROUP, RELATED PARTS HAVE SAME REFERENCE NUMBER

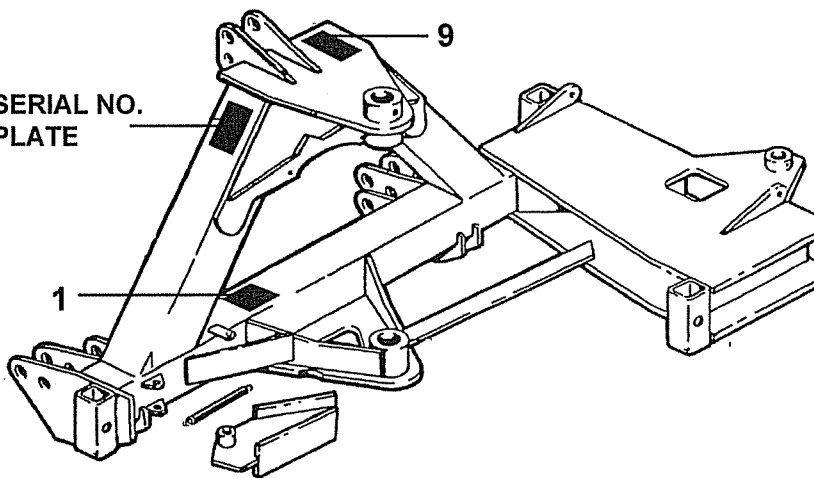
ITEMS 2, 16, 10 & 17 ARE ALL POSITIONED ON THE TOP EDGE OF THE SIDES AS INDICATED



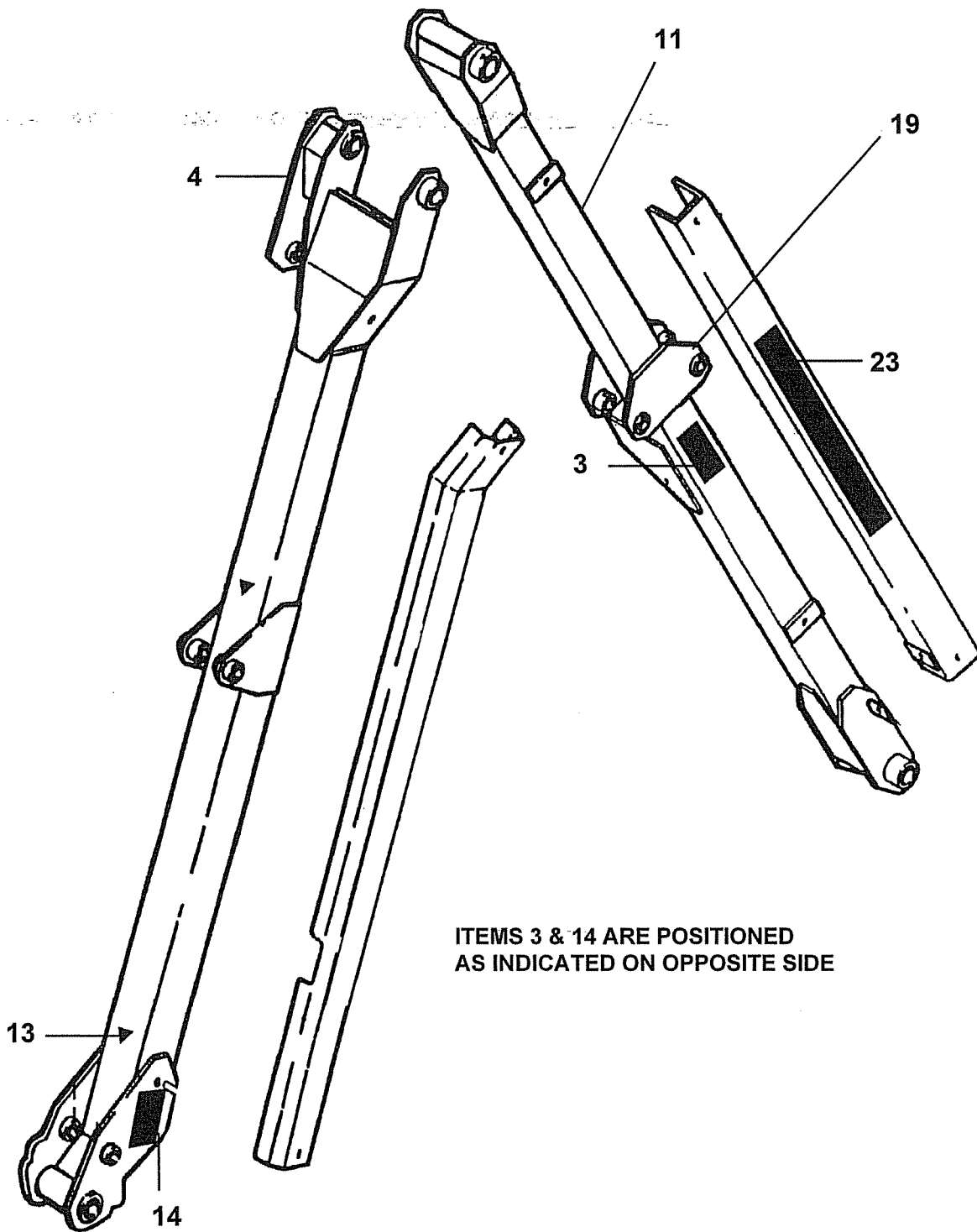
ITEM 7 POSITIONED ON OPPOSITE SIDE AS INDICATED



SERIAL NO. PLATE



REF	PART NO	DESCRIPTION	QTY
74.651.01 DECALS - ENG 4600			
01	09.811.04	DECAL - MAX PTO SPEED 540 ACW	1
02	09.821.01	DECAL - READ INSTRUCTION BOOK	1
03	09.821.02	DECAL - STAY CLEAR O'HD CABLES	1
04	09.821.03	DECAL - DON'T STAND UNDER ARMS	1
05	08.632.01	DECAL - TRANSPORT	1
06	09.821.16	DECAL - KEEP OUT ZONE	1
07	09.821.06	DECAL - SLEW DANGER	1
08	09.821.07	DECAL - RESIDUAL PRESSURE	1
09	09.821.20	DECAL - SHAFT ENTANGLEMENT	1
10	09.821.09	DECAL - HOT SURFACE	1
11	09.821.12	DECAL - ARMS HIT CAB (REAR)	1
12	09.030.01	DECAL - OIL FILTER	1
13	09.810.01	DECAL - GREASE (8 HOURS)	14
14	09.821.23	DECAL - PINCH POINT	1
15	09.844.01	DECAL - OIL LEVEL	1
16	09.845.01	DECAL - APPROVED OILS	1
17	09.846.01	DECAL - OIL FILTER CHANGE	1
18	09.821.10	DECAL - KEEP NUTS TIGHT	1
19	09.843.06	DECAL - LIFT POINT 1500 KG	1
20	09.681.02	DECAL - DIRECTION ARROW RH	1
21	09.979.01	DECAL - BOMFORD LH	1
22	09.980.11	DECAL - B54	1
22	09.980.13	DECAL - GT54	1
23	41582.01	DECAL - POWER PLUS	1



REF	PART NO	DESCRIPTION	QTY
74.651.01 DECALS - ENG 4600			
01	09.811.04	DECAL - MAX PTO SPEED 540 ACW	1
02	09.821.01	DECAL - READ INSTRUCTION BOOK	1
03	09.821.02	DECAL - STAY CLEAR O'HD CABLES	1
04	09.821.03	DECAL - DON'T STAND UNDER ARMS	1
05	08.632.01	DECAL - TRANSPORT	1
06	09.821.16	DECAL - KEEP OUT ZONE	1
07	09.821.06	DECAL - SLEW DANGER	1
08	09.821.07	DECAL - RESIDUAL PRESSURE	1
09	09.821.20	DECAL - SHAFT ENTANGLEMENT	1
10	09.821.09	DECAL - HOT SURFACE	1
11	09.821.12	DECAL - ARMS HIT CAB (REAR)	1
12	09.030.01	DECAL - OIL FILTER	1
13	09.810.01	DECAL - GREASE (8 HOURS)	14
14	09.821.23	DECAL - PINCH POINT	1
15	09.844.01	DECAL - OIL LEVEL	1
16	09.845.01	DECAL - APPROVED OILS	1
17	09.846.01	DECAL - OIL FILTER CHANGE	1
18	09.821.10	DECAL - KEEP NUTS TIGHT	1
19	09.843.06	DECAL - LIFT POINT 1500 KG	1
20	09.681.02	DECAL - DIRECTION ARROW RH	1
21	09.979.01	DECAL - BOMFORD LH	1
22	09.980.11	DECAL - B54	1
22	09.980.13	DECAL - GT54	1
23	41582.01	DECAL - POWER PLUS	1