

PM 922

B498

ARM MOWER

PARTS MANUAL

IMPORTANT

NOTE HERE THE SERIAL NUMBER OF YOUR MACHINE AND ALWAYS QUOTE IT IN ANY COMMUNICATION WITH US OR YOUR DEALER. THIS IS PARTICULARLY IMPORTANT WHEN ORDERING SPARES. REMEMBER TO INCLUDE ALL NUMBERS AND LETTERS.

MACHINE SERIAL NUMBERS _____

THE INFORMATION GIVEN THROUGHOUT THIS MANUAL IS CORRECT AT THE TIME OF PUBLICATION. HOWEVER, IN THE COURSE OF CONSTANT DEVELOPMENT OF BOMFORD TURNER MACHINES, CHANGES IN SPECIFICATION ARE INEVITABLE. SHOULD YOU FIND THE INFORMATION GIVEN IN THIS BOOK TO BE AT VARIANCE WITH THE MACHINE IN YOUR POSSESSION, YOU ARE ADVISED TO CONTACT THE BOMFORD TURNER SERVICE DEPARTMENT WHERE UP-TO-DATE INFORMATION WILL BE PROVIDED.

THE MANUAL CAN CONTAIN STANDARD AND OPTIONAL FEATURES AND IS NOT TO BE USED AS A MACHINE SPECIFICATION.

THE MACHINE HAS BEEN TESTED AND IS CONSIDERED SAFE IF CAREFULLY USED. ENSURE YOUR OPERATOR IS PROPERLY TRAINED IN ITS USE AND MAINTENANCE.

IMPORTANT

NOTEZ ICI LES NUMEROS DE SERIE DE VOTRE MACHINE ET MENTIONNEZ LES DANS TOUTE COMMUNICATION AVEC NOS SERVICES OU VOTRE REVENDEUR. CECI EST IMPORTANT POUR LA COMMANDE DE PIECES DETACHEES. PENSEZ A NOTER TOUS LES NUMEROS ET TOUTES LES LETTERS.

NUMEROS DE SERIE DE LA MACHINE _____

LES INFORMATIONS DONNEES DANS CE MANUEL SONT CORRECTES CEPENDANT, DU FAIT DE DEVELOPPEMENT CONSTANT DES MACHINES BOMFORD TURNER.

CHANGEMENTS DANS LES CARACTERISTIQUES SONT INEVITABLES.

SI VOUS TROUVEZ QUE LES INFORMATIONS DONNEES NE CORRESPONDENT PAS A VOTRE MACHINE VEUILLEZ CONTACTER LE SERVICE DES REPARATIONS OU DES INFORMATIONS PLUS RECENTES VOUS SERONT DONNEES. CE MANUEL PEUT MONTRER DES CARACTERISTIQUES OPTIONNELLES ET NE PEUT PAS ETRE CONSIDERE COMME SPECIFICATION DE LA MACHINE.

CETTE MACHINE A ETE TESTEE, ET ELLE EST CONSIDEREE COMME FIABLE A CONDITION D'UNE BONNE UTILISATION. ASSUREZ-VOUS QUE VOTRE OPERATEUR EST QUALIFIE EN CE QUI CONCERNE L'UTILISATION DE LA MACHINE AINSI QUE SON ENTRETIEN.

WICHTIG

TRAGEN SIE HIER DIE SERIENNUMMERN IHRER MASCHINE EIN UND GEBEN SIE DIESE IMMER AN, WENN SIE SICH AN UNS ODER IHREN HÄNDLER WENDEN. DAS IST BESONDERS BEI ERSATZTEILBESTELLUNGEN WICHTIG. VERGESSEN SIE NICHT, ALLE ZAHLEN UND BUCHSTABEN ZU NOTIEREN.

SERIENNUMMERN DER MASCHINE _____

DIE ANGABEN IN DIESEM HANDBUCH SIND BEI VERÖFFENTLICHUNG KORREKT. AUFGRUND DER KONSTANTEN WEITERENTWICKLUNG VON BOMFORD TURNER MASCHINEN SIND JEDOCHÄNDERUGDEN IN DER SPEZIFIKATION UNVERMEIDLICH. WENN DIE INFORMATION IN DIESEM HANDBUCH NICHT MIT IHRER MASCHINE ÜBEREINSTIMMEN, NEHMEN SIE BITTE KONTAKT MIT DER BOMFORD TURNER KUNDENDIENSTABTEILUNG AUF, DIE IHNEN GERNE DIE AKTUELLEN INFORMATION ZUKOMMEN LÄSST.

DAS HANDBUCH KANN SOWOHL BESCHREIBUNGEN FÜR DIE STANDARD AUSFÜHRUNG ALS AUCH FÜR ZUBEHÖR ENTHALTEN UND IST NICHT ALS MASCHINENSPEZIFIKATION ZU VERWENDET.

DIE MASCHINE IST GETESTET UND BEI SACHGEMÄSSEM BETRIEB ALS SICHER BEFUNDEN WORDEN. SORGEN SIE DAFÜR, DASS IHR BEDIENPERSONAL IN ANWENDUNG UND WARTUNG RICHTIG GESCHULT WIRD.

INDEX

NOTE: PAGE & ILLUSTRATION NUMBERS SHOWN ARE USED ONLY FOR REFERENCE PURPOSES AND SHOULD NOT BE USED FOR ORDERING SPARE PARTS. PLEASE GIVE FULL PART NUMBER AND DESCRIPTION WHEN ORDERING SPARE PARTS.

FOR MACHINE WITH SERIAL NUMBERS COMMENCING FROM:

MAINFRAME **1466 W**

<u>PAGE NO.</u>	<u>DESCRIPTION</u>	<u>SCHEDULE NO.</u>
2 - 1 TO 2 - 2	MAINFRAME	71.686.02
3 - 1 TO 3 - 2	CONTROL VALVE ASSEMBLY	71.734.01
4 - 1 TO 4 - 2	REMOTE CONTROL ASSEMBLY	71.735.01
*5 - 1 TO 5 - 3	GEARBOX/PTO	71.687.01
	PUMP ASSEMBLIES	71.287.01
		71.688.01
	PUMP CIRCUIT	71.689.01
		71.698.01
6 - 1 TO 6 - 2	RAMS AND HOSES	71.690.01
		71.736.01
*7 - 1 TO 7 - 4	FIRST RAM BRACKET	71.691.01
	FIRST ARM	71.692.01
	INTERMEDIATE BEAM	71.082.01
*8 - 1 TO 8 - 3	SECOND ARM	71.693.01
	COWL BRACKET L.H.	71.694.01
	COWL BRACKET R.H.	71.695.01
9 - 1 TO 9 - 2	TANK	71.696.01
10 - 1 TO 10 - 2	ACCUMULATOR KIT	71.715.01
11 - 1 TO 11 - 2	DECALS	71.697.02
12 - 1 TO 12 - 2	REMOTE CONTROL	71.823.01
	CONTROL VALVE	71.822.01

HYDRAULIC RAM DETAILS

13 - 1	FIRST RAM 02.901.16
14 - 1	SECOND RAM 02.902.18
15 - 1	THIRD RAM 02.902.17
16 - 1	AUTO - RETURN RAM 02.785.19

IMPORTANT

IT IS POTENTIALLY HAZARDOUS TO FIT OR USE ANY PARTS OTHER THAN GENUINE BOMFORD TURNER PARTS.

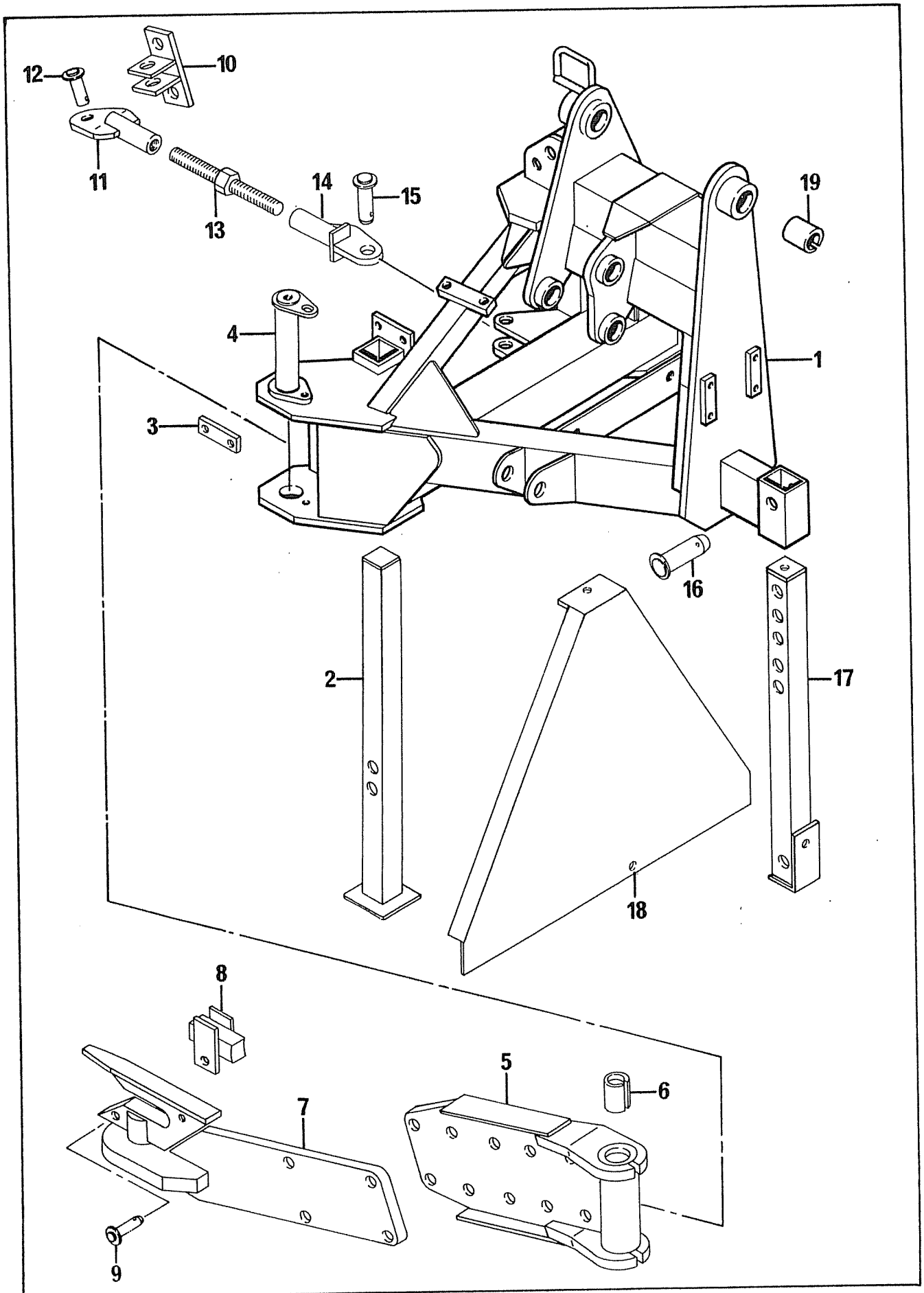
THE COMPANY DISCLAIMS ALL LIABILITY FOR THE CONSEQUENCES OF SUCH USE, WHICH IN ADDITION VOIDS THE MACHINE WARRANTY.

THIS MACHINE IS FOR VEGETATION CONTROL AND MUST NOT BE USED FOR ANY OTHER PURPOSE.

* Where a parts list has necessitated two and three pages of text the corresponding illustration has been repeated on the facing page purely for convenient referencing.

THE ILLUSTRATION AND TEXT COMBINE STANDARD, ALTERNATIVE AND OPTIONAL PARTS AND MUST NOT BE USED AS A PRODUCT SPECIFICATION.

CHECK REAR OF MANUAL FOR UPDATES

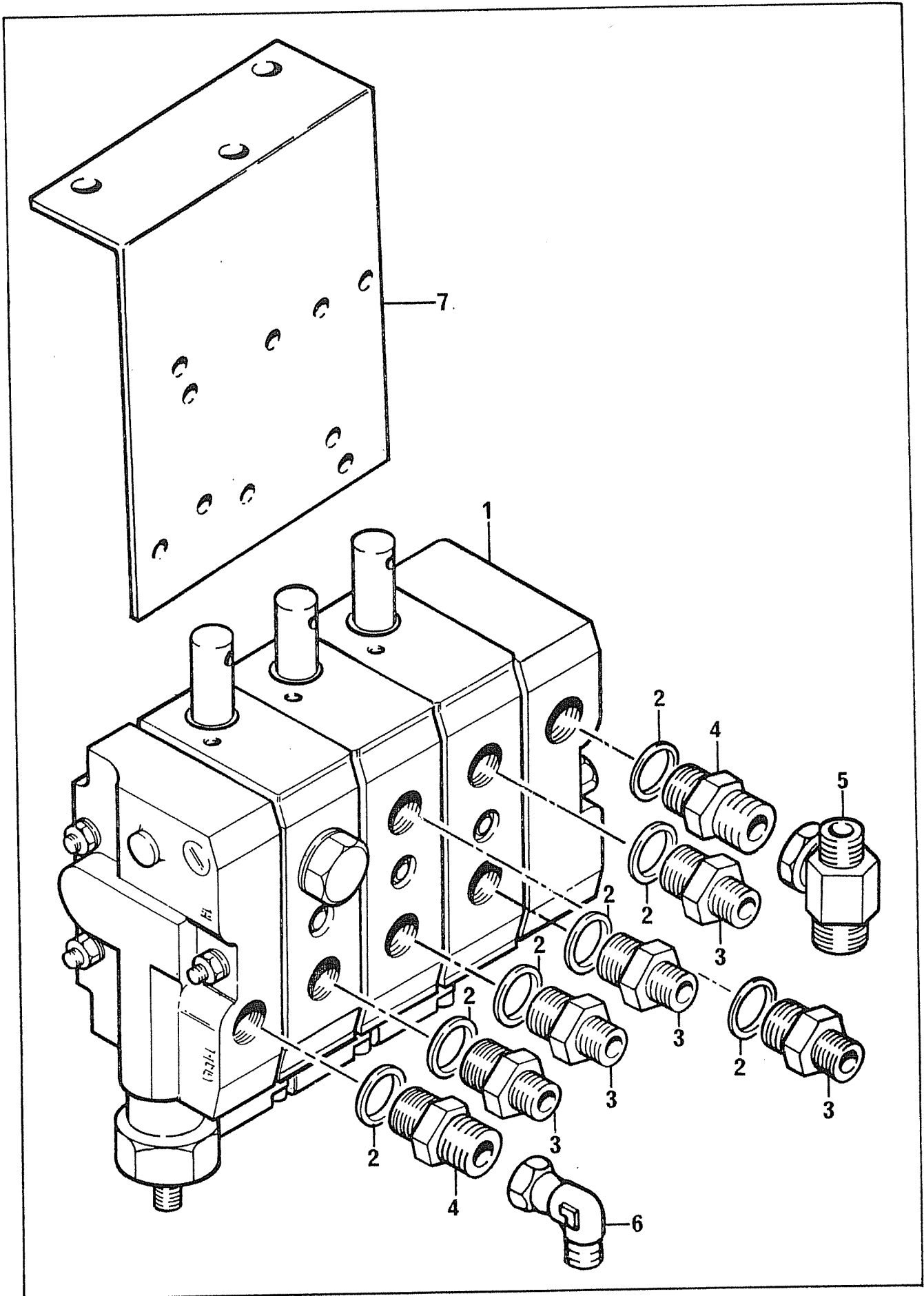


71.686.02

REF	PART NO.	DESCRIPTION	QTY	SERIAL NO. TO - FROM
*01	07.000.01	MAINFRAME	1	
01	05.227.01	HAMMER DRIVE SCREW NO.6 X 3/8"	2	
01	05.774.02	SERIAL NUMBER PLATE	1	
*02	00.856.01	STAND - FRONT	2	
02	05.282.02	SPRING WASHER 10MM PLATED	2	
02	05.286.02	NUT M10 PLATED	2	
02	05.291.17	BOLT M10 X 60MM PLATED	2	
*03	03.811.01	PLATE - CLAMP	2	
03	05.282.02	SPRING WASHER 10MM PLATED	4	
03	05.286.02	NUT M10 PLATED	4	
03	05.292.12	BOLT M10 X 90 PLATED	4	
*04	03.661.01	PIN 50 DIA X 267	2	
04	03.786.01	INSTRUCTION PLATE-GREASE M6	2	
04	04.174.01	STUD M12 X 38MM	2	
04	05.281.03	FLAT WASHER 12MM PLATED	2	
04	05.953.03	GREASE NIPPLE M10	2	
04	05.968.03	SELF LOCKING NUT M12 (FINE)	2	
*05	03.660.01	PIVOT GATE	2	
*06	02.771.02	TENSION BUSH 55 X 50 X 50	4	
*07	03.752.01	MOUNTING FORK	2	
07	05.282.05	SPRING WASHER 20MM	8	
07	05.286.05	NUT M20	8	
07	05.292.41	BOLT M20 X 80MM	8	
*08	03.719.01	CATCH PLATE	2	
09	03.255.05	CHAIN-RING ASSY	2	
*09	03.650.01	PIN 12 DIA X 63	2	
09	05.964.01	SPRING COTTER 3.6MM DIA	2	
*10	03.720.01	BRACKET-TIE ROD	2	
*11	03.806.01	BRACKET-TIE ROD R.H.	2	
*12	03.652.02	PIN 20 DIA X 53	2	
12	05.284.03	SPLIT COTTER 3.2MM X 36MM	2	
*13	03.804.01	TURNBUCKLE	2	
13	05.286.06	NUT M24	2	
*14	03.805.01	BRACKET-TIE ROD L.H.	2	
*15	03.652.03	PIN 20 DIA X 79	2	
15	05.284.03	SPLIT COTTER 3.2MM X 36MM	2	
16	00.372.01	LINCH PIN	1	
*16	03.652.01	PIN 20 DIA X 90	1	
17	05.264.11	SETSCREW M10 X 20MM PLATED	2	
17	05.281.02	FLAT WASHER 10MM PLATED	2	
17	05.282.02	SPRING WASHER 10MM PLATED	2	
*17	06.388.02	STAND - REAR	1	
*18	06.427.02	GUARD - PUMP	1	
*19	02.771.02	TENSION BUSH 55 X 50 X 50	2	

*MAIN PART IN GROUP, RELATED PARTS HAVE SAME REFERENCE NUMBER.

CONTROL VALVE ASSEMBLY



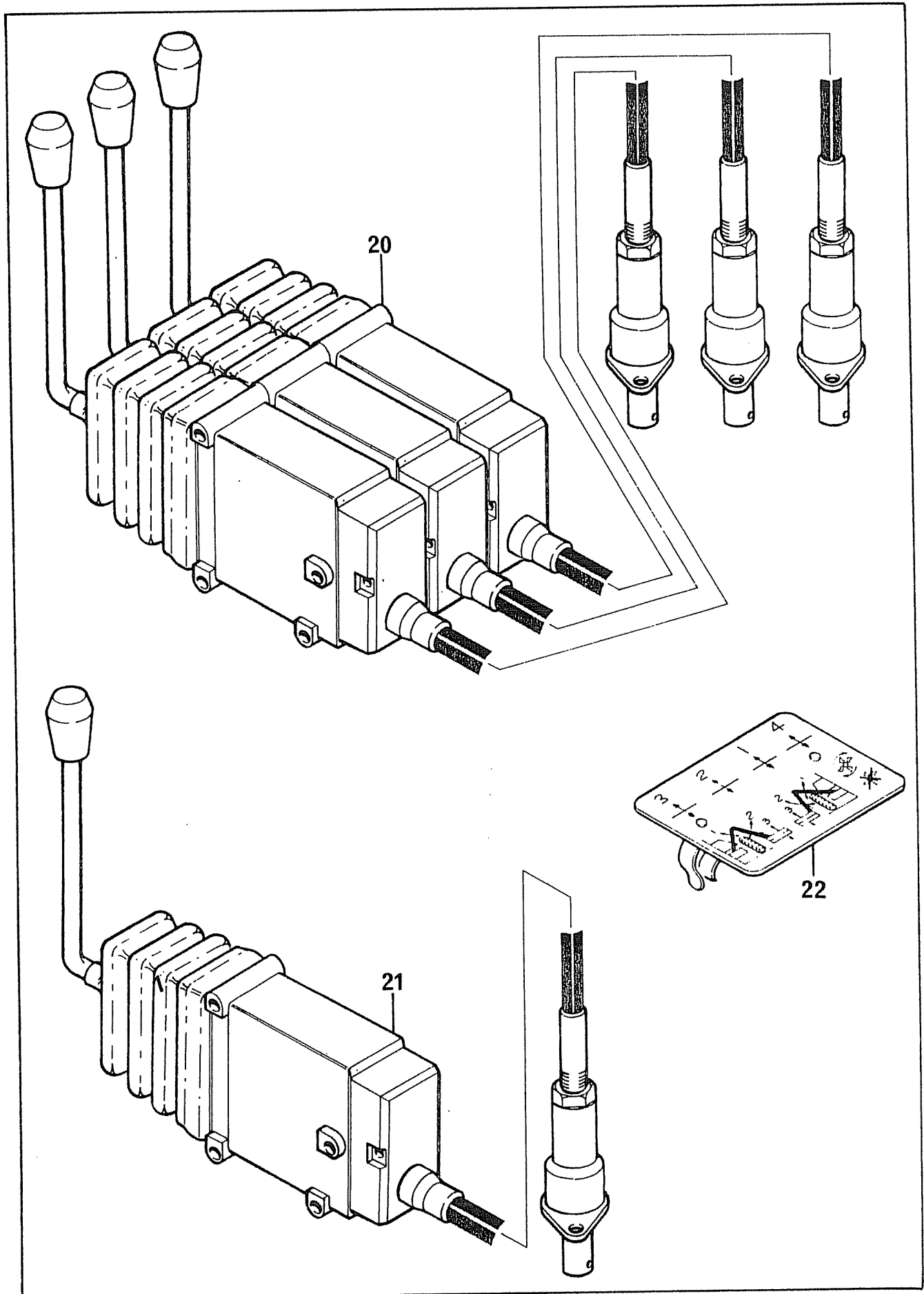
CONTROL VALVE ASSEMBLY

71.734.01

REF	PART NO.	DESCRIPTION	QTY	SERIAL NO. TO - FROM
01	05.282.07	SPRING WASHER 6MM PLATED	4	
01	05.839.05	SETSCREW M6 X 16MM	4	
*01	07.100.01	CONTROL VALVE ASSY 3 SPOOL	1	
01	07.100.02	SEAL KIT FOR 07.100.01 VALVE	-	
01	07.100.03	VALVE SLICE ASSY S/A	-	
01	07.100.04	VALVE SLICE ASSY D/A	-	
01	07.100.05	OUTLET COVER	-	
01	07.100.06	INLET COVER ASSY C/W R/V	-	
01	07.100.07	RELIEF VALVE CARTRIDGE	-	
*02	05.290.04	BONDED SEAL 3/8"BSP	7	
*03	01.099.01	ADAPTOR 3/8BSP X1/4BSP	5	
*04	05.124.01	ADAPTOR 3/8" BSP X 3/8" BSP	2	
*05	04.056.04	TEE ADAPTOR 3/8"X 1/4"X 3/8"	1	
*06	05.835.01	ADAPTOR-SWIVEL 90 3/8"BSP M/F	1	
07	05.264.11	SETSCREW M10 X 20MM PLATED	3	
07	05.282.02	SPRING WASHER 10MM PLATED	3	
*07	06.969.01	PLATE - VALVE MOUNTING	1	

*MAIN PART IN GROUP, RELATED PARTS HAVE SAME REFERENCE NUMBER.

REMOTE CONTROL ASSEMBLY

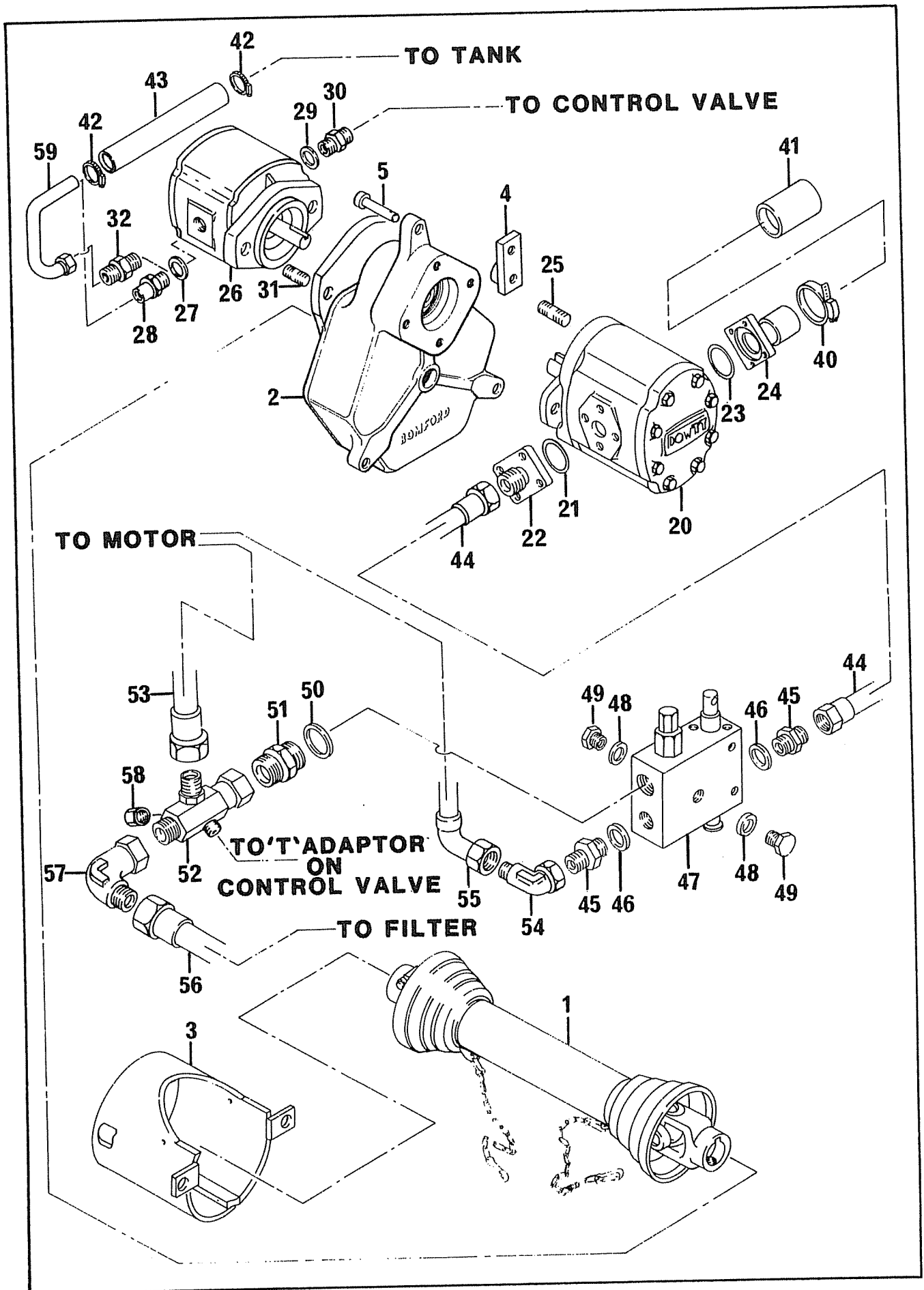


71.735.01

REF	PART NO.	DESCRIPTION	QTY	SERIAL NO. TO - FROM
20	04.265.08	LEVER ASSY	-	
20	04.265.11	BUSH	-	
20	04.265.24	LEVER	-	
20	07.074.08	CABLE 2.0M	-	
*20	07.074.01	R.C.A. 1 BANK, 2.0M. BOWDEN	3	
20	07.074.02	SHROUD - BOWDEN CABLE	-	
20	07.074.05	PIN - ATTACHMENT BOWDEN CABLE	-	
21	04.265.11	BUSH	-	
21	04.265.19	SPRING COVER	-	
21	04.265.28	PIN	-	
*21	04.265.44	REMOTE CONTROL ASSY-1BANK 3.0M	1	
21	04.265.45	CABLE ASSY 3.0M	-	
21	04.265.53	LEVER - SHORT	-	
21	04.282.01	STUD M8 X 196MM PLATED	3	
21	05.281.01	FLAT WASHER 8MM PLATED	6	
21	05.286.01	NUT M8 PLATED	4	
21	05.948.07	WING NUT M 8	2	
*22	03.541.09	INSTRUCTION PLATE - RAM OP.	1	

*MAIN PART IN GROUP, RELATED PARTS HAVE SAME REFERENCE NUMBER.

GEARBOX/PTO, PUMP ASSEMBLIES AND PUMP CIRCUIT



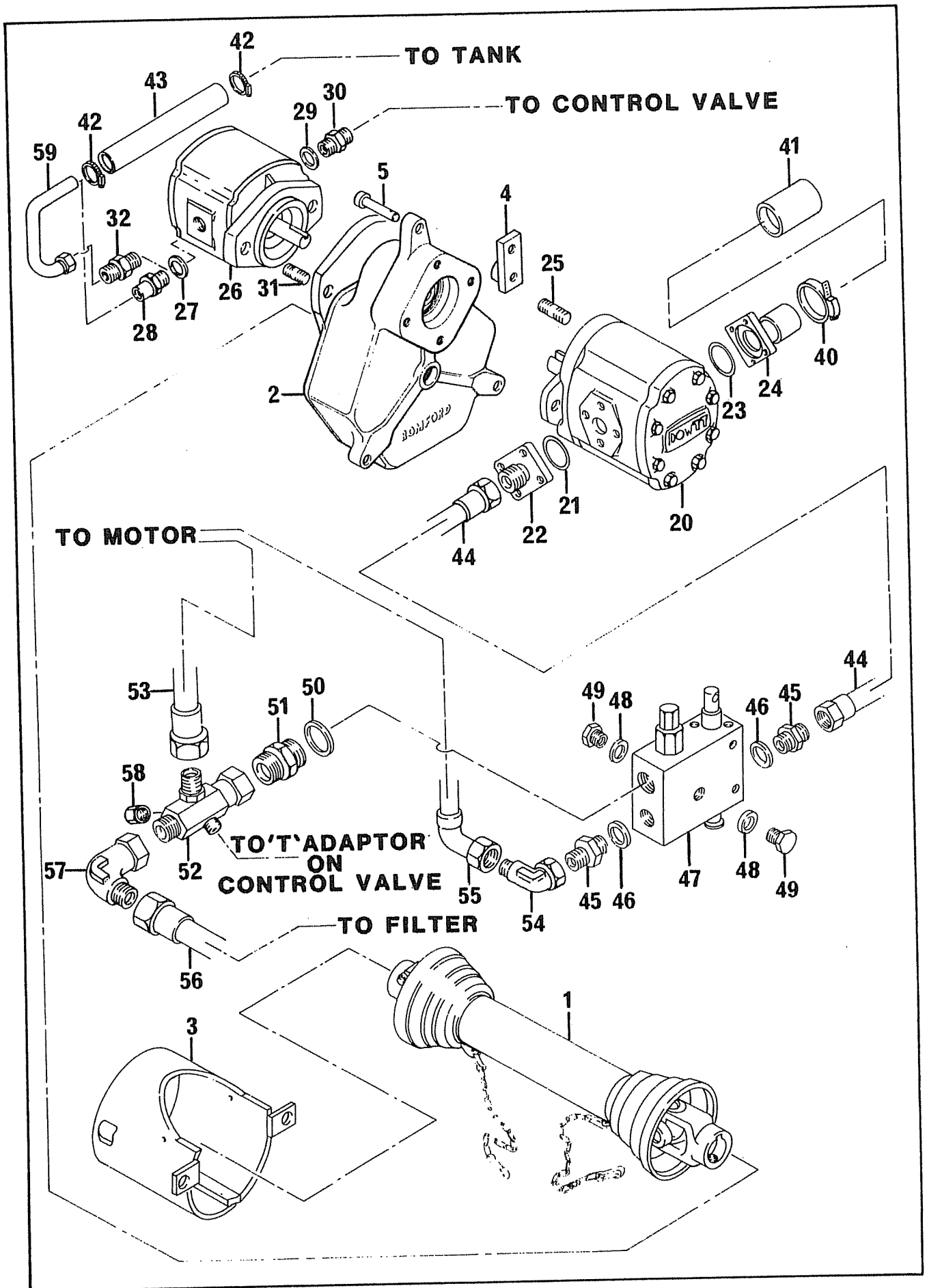
GEARBOX/PTO, PUMP ASSEMBLIES AND PUMP CIRCUIT

REF	PART NO.	DESCRIPTION	QTY	SERIAL NO. TO - FROM
<u>71.687.01</u>		<u>GEARBOX/PTO</u>		
01	04.402.19	PTO GUARD ASSY 460CC	-	
*01	04.402.26	PTO SHAFT ASSY 460CC	1	
01	06.154.13	PTO JOURNAL BEARING KIT	-	
*02	02.866.24	GEARBOX ASSY (TWIN PUMP)	1	
02	04.282.06	STUD M12 X 55MM	2	
02	05.282.03	SPRING WASHER 12MM PLATED	2	
02	05.986.03	NUT M12 PLATED	2	
03	05.264.03	SETSCREW M8 X 30MM PLATED	2	
03	05.282.01	SPRING WASHER 8MM PLATED	2	
*03	06.170.01	GUARD - PTO	1	
*04	02.898.01	STAY - GEARBOX TOP	1	
04	05.282.03	SPRING WASHER 12MM PLATED	1	
04	05.286.03	NUT M12 PLATED	1	
04	05.291.25	BOLT M12 X 50MM PLATED	1	
*05	02.899.01	PIN 12 DIA X 48MM	1	
05	05.964.01	SPRING COTTER 3.6MM DIA	1	
<u>71.287.01, 71.688.01</u>		<u>PUMP ASSEMBLIES</u>		
20	01.071.13	KEY-SEP 1/4" X 1/4" X 1"	-	
20	05.642.02	SEAL KIT (05 650 PUMPS)	-	
*20	05.650.02	PUMP ASSY (207 BAR)	1	
*21	05.656.01	"O"RING 28 I/D X 2.5	1	
*22	03.864.01	ADAPTOR-FLANGED 3/4" BSP	1	
22	05.657.01	SOCKET CAPSCREW 5/16" UNC X 7/8"	4	
*23	05.656.03	"O"RING 25 I/D X 3.5	1	
*24	03.050.01	ADAPTOR-FLANGED 1.1/2"OD	1	
24	05.657.01	SOCKET CAPSCREW 5/16" UNC X 7/8"	4	
*25	03.100.01	STUD M10 X 36MM	2	
25	05.282.02	SPRING WASHER 10MM PLATED	2	
25	05.286.02	NUT M10 PLATED	2	
*26	06.415.01	PUMP ASSY (DOWTY 1P)	1	
26	06.415.02	SEAL KIT (06415 PUMP)	-	
*27	05.290.05	BONDED SEAL 1/2"BSP	1	
*28+	04.244.01	ADAPTOR 1/2"BSP X 3/4"O/D	1	
*29	05.290.05	BONDED SEAL 1/2"BSP	1	
*30	05.123.01	ADAPTOR 1/2" BSP X 3/8" BSP	1	
*31	03.100.01	STUD M10 X 36MM	2	
31	05.282.02	SPRING WASHER 10MM PLATED	2	
31	05.286.02	NUT M10 PLATED	2	
*32/	05.376.01	ADAPTOR 3/4" BSP X 1/2" BSP	1	

/ LEFT HAND MACHINE ONLY
+ RIGHT HAND MACHINE ONLY

*MAIN PART IN GROUP, RELATED PARTS HAVE SAME REFERENCE NUMBER.

GEARBOX/PTO, PUMP ASSEMBLIES AND PUMP CIRCUIT



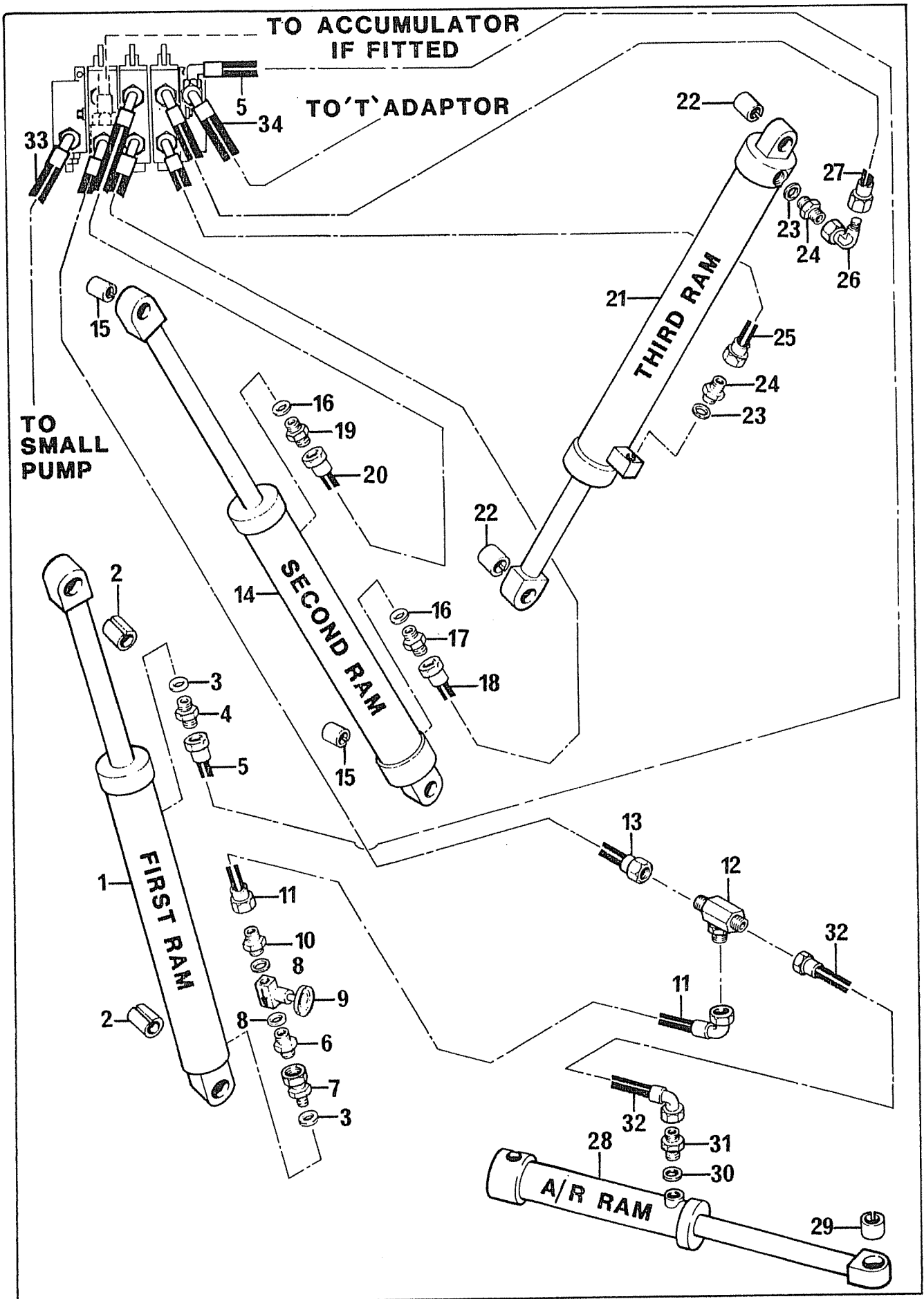
GEARBOX/PTO, PUMP ASSEMBLIES AND PUMP CIRCUIT

REF	PART NO.	DESCRIPTION	QTY	SERIAL NO. TO - FROM
	<u>71.689.01, 71.698.01</u>	<u>PUMP CIRCUIT</u>		
*40	05.863.02	JUBILEE CLIP 2"DIA	2	
*41	06.288.02	HOSE 1.1/2" BORE X 260MM	1	
*42	05.863.03	JUBILEE CLIP 25MM DIA	2	
*43+	05.983.11	HOSE 3/4" BORE X 400MM	1	
*43	05.983.13	HOSE 3/4" BORE X 280MM	1	
*44	05.995.01	HOSE 3/4"BSP X 525MM STXST	1	
*45	05.377.01	ADAPTOR 3/4"BSP X 3/4"BSP	2	
*46	05.290.06	BONDED SEAL 3/4"BSP	2	
47	05.657.01	SOCKET CAPSCREW 5/16"UNC X 7/8"	2	
*47	06.284.01	RELIEF VALVE/DIVERTER ASSY	1	
47	06.284.02	SEAL KIT FOR (06.284.01) VALVE	-	
47	06.299.03	RELIEF VALVE CARTRIDGE 207 BAR	-	
*48	05.117.01	COPPER WASHER 3/8" BSP	2	
*49	05.433.01	PLUG 3/8"BSP	2	
*50	05.290.07	BONDED SEAL 1"BSP	1	
*51	05.434.01	ADAPTOR 1"BSP X 1"BSP	1	
*52	04.056.06	ADAPTOR SWIVEL TEE 1"BSP X 3/8"BSP	1	
*53	05.997.92	HOSE 1"BSP X 600MM ST X ST	1	
*54	05.835.03	ADAPTOR-SWIVEL 90 3/4"BSP M/F	1	
*55	05.994.96	HOSE 3/4"BSP X 610MM 90 X ST	1	
*56	05.996.19	HOSE 1"BSP X 975MM 90XST	1	
*57	05.835.02	ADAPTOR SWIVEL 90° 1"BSP M/F	1	
*58	07.082.01	PLUG - BLANKING CAP 3/8"BSP	1	
*59+	06.501.01	PIPE STEEL 3/4"BSP X 3/4"DIA	1	

+ LEFT HAND MACHINE ONLY

*MAIN PART IN GROUP, RELATED PARTS HAVE SAME REFERENCE NUMBER.

RAMS AND HOSES



RAMS AND HOSES

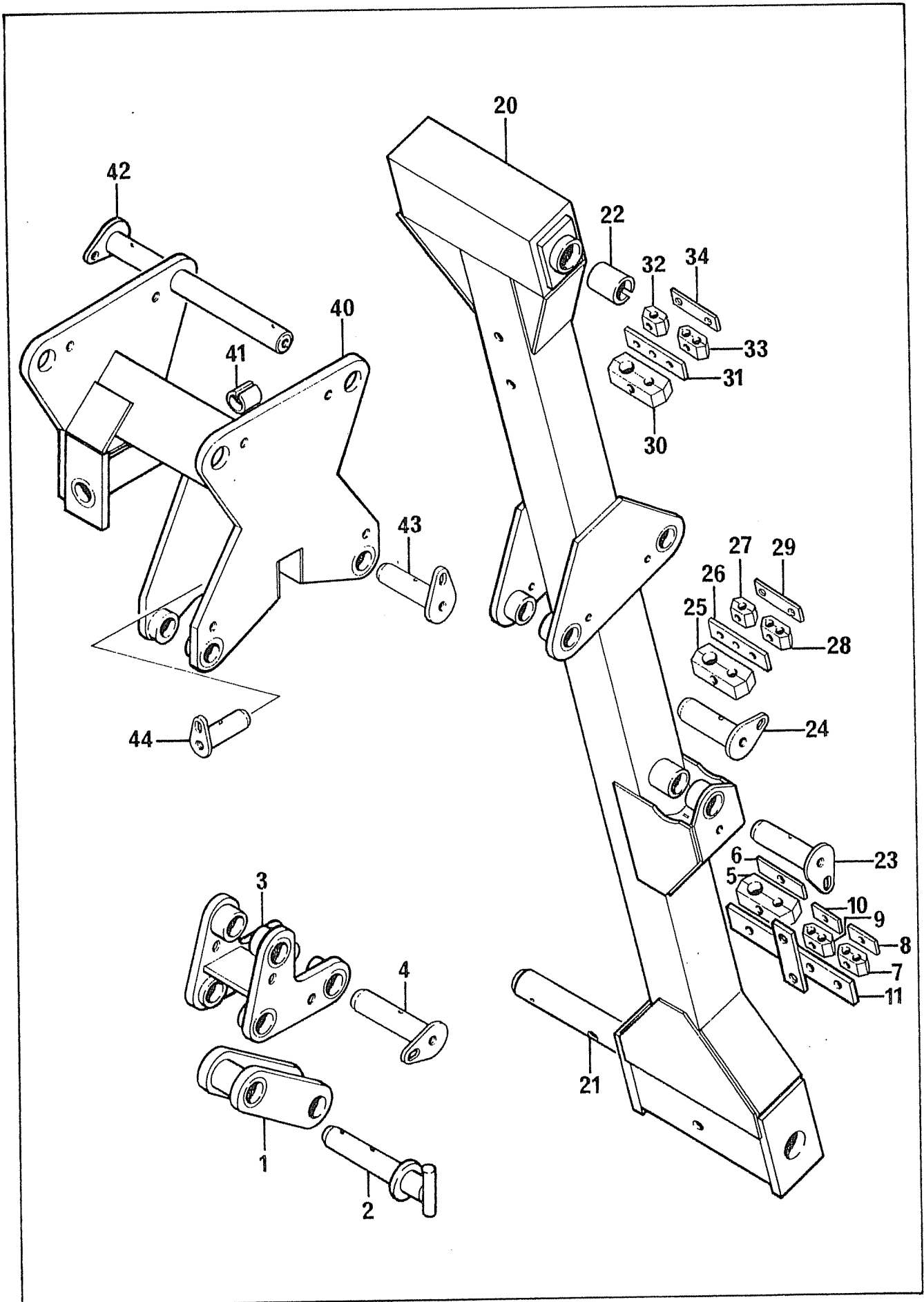
71.690.01, 71.736.01

REF	PART NO.	DESCRIPTION	QTY	SERIAL NO. TO - FROM
*01	02.901.36	RAM ASSY D/A 90MM BORE X 445MM	1	
01	02.901.38	SEAL KIT (02.901.36 RAM)	-	
*02	02.771.03	TENSION BUSH 45 X 40 X 50	2	
*03	05.290.04	BONDED SEAL 3/8"BSP	2	
*04	03.028.08	RESTRICTOR 3/8" BSP X 1/4" BSP	1	
*05	05.990.31	HOSE 1/4"BSP X 2100MM 90 X ST	1	
06+	03.028.01	RESTRICTOR 3/8" BSP X 3/8" BSP	1	
*06	05.124.01	ADAPTOR 3/8" BSP X 3/8" BSP	1	
*07	02.714.01	ADAPTOR-SWIVEL ST 3/8BSP M/F	1	
*08	05.290.04	BONDED SEAL 3/8"BSP	2	
*09	05.176.01	ISOLATOR VALVE ASSY 3/8"BSP	1	
*10	01.099.01	ADAPTOR 3/8BSP X1/4BSP	1	
*11	05.990.16	HOSE 1/4"BSP X 800MM 90 X ST	1	
*12	04.056.07	ADAPTOR TEE 1/4"BSP M/M/M	1	
*13	05.990.22	HOSE 1/4"BSP X 1200MM 90 X ST	1	
14	02.902.08	SEAL KIT (02 902 D/A RAMS)	-	
*14	02.902.18	RAM ASSY D/A 70MM BORE X 615MM	1	
*15	02.771.04	TENSION BUSH 40 X 35 X 40	2	
*16	05.290.04	BONDED SEAL 3/8"BSP	2	
*17	03.028.08	RESTRICTOR 3/8" BSP X 1/4" BSP	1	
*18	05.990.29	HOSE 1/4" BSP X 1900MM 90 X ST	1	
*19	01.099.01	ADAPTOR 3/8" BSP X 1/4" BSP	1	
*20	05.990.36	HOSE 1/4"BSP X 2600MM 90 X ST	1	
21	02.902.08	SEAL KIT (02 902 D/A RAMS)	-	
*21	02.902.17	RAM ASSY D/A 70MM BORE X 430MM	1	
*22	02.771.04	TENSION BUSH 40 X 35 X 40	2	
*23	05.290.04	BONDED SEAL 3/8"BSP	2	
*24	03.028.08	RESTRICTOR 3/8BSP X 1/4BSP	2	
*25	05.990.58	HOSE 1/4"BSP X 4800MM 90 X ST	1	
*26	05.835.04	ADAPTOR - SWIVEL 90 1/4"BSP MF	1	
*27	05.990.53	HOSE 1/4"BSP X 4300MM 90 X ST	1	
*28	02.785.19	RAM ASSY AUTO/RET 70 BORE X 201	1	
28	02.785.20	SEAL KIT (02785 A/R RAM)	-	
*29	02.771.05	TENSION BUSH 35 X 30 X 40	1	
*30	05.290.04	BONDED SEAL 3/8"BSP	1	
*31	01.099.01	ADAPTOR 3/8BSP X1/4BSP	1	
*32	05.990.46	HOSE 1/4" BSP X 3600MM 90 X ST	1	
*33	05.991.18	HOSE 3/8" BSP X 900MM 90 X ST	1	
*34	05.991.23	HOSE 3/8" BSP X 1300MM 90 X ST	1	

+ MACHINES WITHOUT ACCUMULATOR FITTED

*MAIN PART IN GROUP, RELATED PARTS HAVE SAME REFERENCE NUMBER.

FIRST RAM BRACKET, FIRST ARM AND INTERMEDIATE BEAM



FIRST RAM BRACKET, FIRST ARM AND INTERMEDIATE BEAM

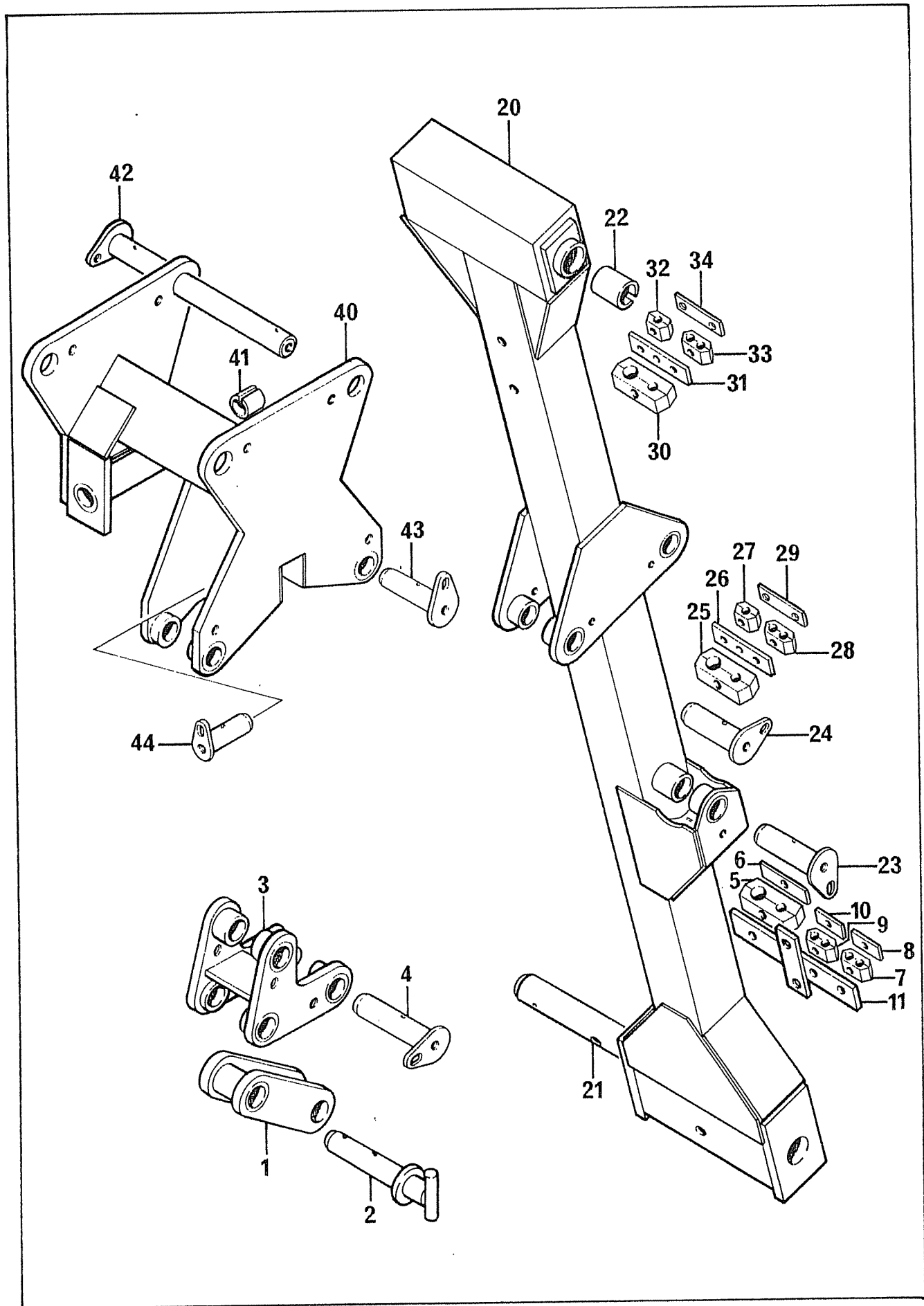
REF	PART NO.	DESCRIPTION	QTY	SERIAL NO. TO - FROM
<u>71.691.01</u>		<u>BRACKET-FIRST ARM</u>		
*01	02.882.02	LINK - FIRST ARM	1	
*02	02.818.01	PIN 40 DIA X 155MM	2	
02	03.255.05	CHAIN-RING ASSY	2	
02	05.964.02	SPRING COTTER 5.6MM DIA	2	
*03	02.881.01	BRACKET - FIRST RAM	1	
03+	04.367.01	BRACKET - FIRST RAM	-	
*04	02.844.01	PIN 40 DIA X 128MM	2	
04	03.786.02	INSTRUCTION PLATE-GREASE M10	2	
04	04.174.01	STUD M12 X 38MM	2	
04	05.281.03	FLAT WASHER 12MM PLATED	2	
04	05.953.03	GREASE NIPPLE M10	2	
04	05.968.03	SELF LOCKING NUT M12 (FINE)	2	
05	04.282.30	STUD M8 X 85	1	
05	05.282.01	SPRING WASHER 8MM PLATED	1	
05	05.286.01	NUT M8 PLATED	1	
*05	06.430.05	HOSE CLAMP 38 X 28	2	
*06	06.418.01	CLAMP PLATE 95 X 6	1	
07	04.282.32	STUD M8 X 52	1	
07	05.282.01	SPRING WASHER 8MM PLATED	1	
07	05.286.01	NUT M8 PLATED	1	
*07	06.430.02	HOSE CLAMP 14 X 14	2	
*08	06.418.02	CLAMP PLATE 30 X 6 PLATED	1	
09	04.282.30	STUD M8 X 85	1	
09	05.282.01	SPRING WASHER 8MM PLATED	1	
09	05.286.01	NUT M8 PLATED	1	
*09	06.430.02	HOSE CLAMP 14 X 14	4	
*10	06.418.02	CLAMP PLATE 30 X 6 PLATED	1	
11	05.264.11	SETSCREW M10 X 20MM PLATED	2	
11	05.282.02	SPRING WASHER 10MM PLATED	2	
*11	07.001.01	BRACKET - HOSE CLAMP	1	

+OPTIONAL EXTRA

<u>71.692.01</u>		<u>FIRST ARM</u>		
*20	06.961.01	ARM - FIRST	1	
*21	02.869.03	PIN 50 DIA X 406	1	
21	03.786.02	INSTRUCTION PLATE-GREASE M10	2	
21	05.282.03	SPRING WASHER 12MM PLATED	1	
21	05.286.03	NUT M12 PLATED	1	
21	05.292.25	BOLT M12 X 120MM PLATED	1	
21	05.953.03	GREASE NIPPLE M10	2	
*22	02.771.03	TENSION BUSH 45 X 40 X 50	2	
*23	02.852.01	PIN 35 DIA X 105MM	1	
23	03.786.02	INSTRUCTION PLATE-GREASE M10	1	
23	04.174.01	STUD M12 X 38MM	1	
23	05.281.03	FLAT WASHER 12MM PLATED	1	
23	05.953.03	GREASE NIPPLE M10	1	
23	05.968.03	SELF LOCKING NUT M12 (FINE)	1	

*MAIN PART IN GROUP, RELATED PARTS HAVE SAME REFERENCE NUMBER.

FIRST RAM BRACKET, FIRST ARM AND INTERMEDIATE BEAM

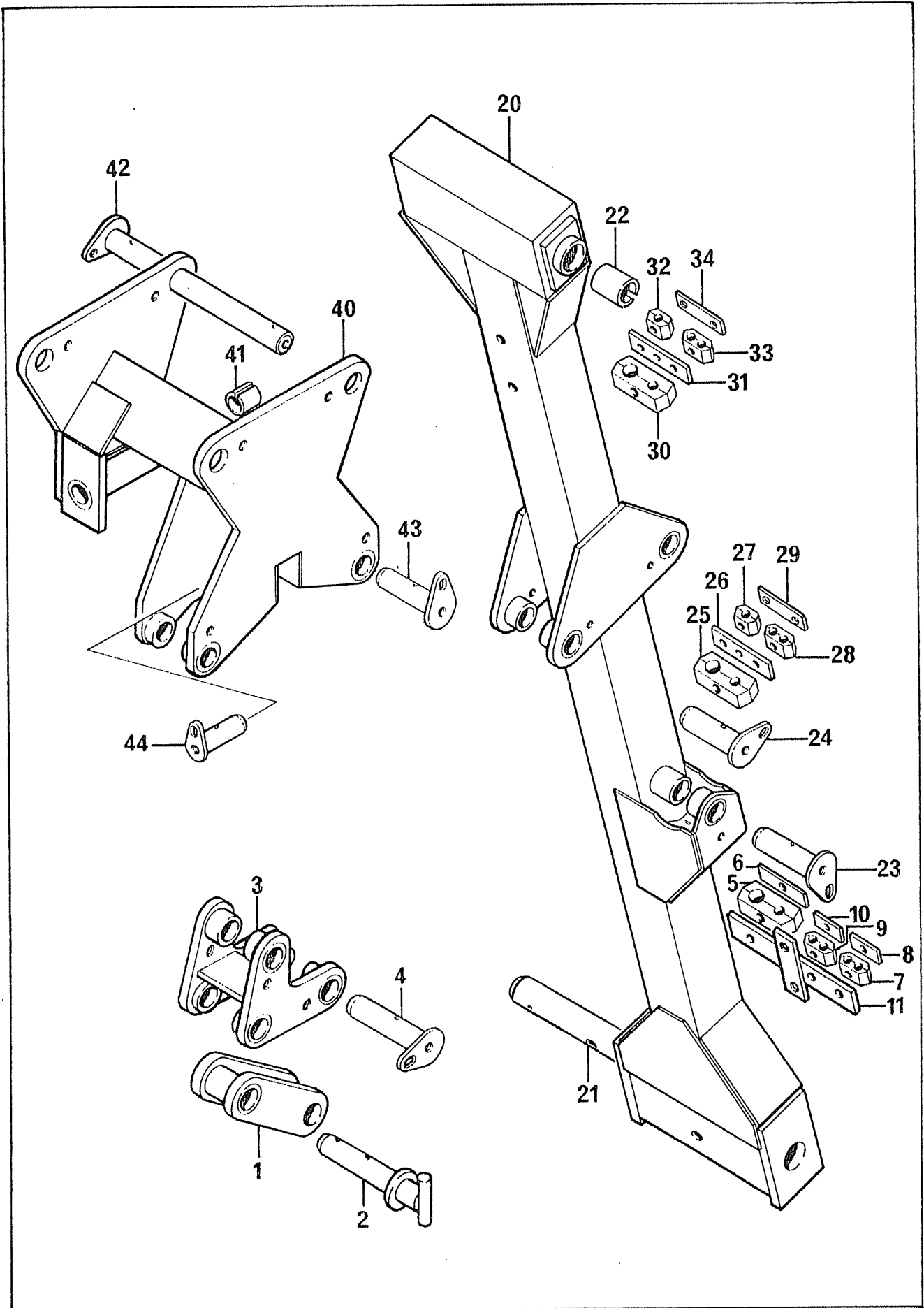


FIRST RAM BRACKET, FIRST ARM AND INTERMEDIATE BEAM

REF	PART NO.	DESCRIPTION	QTY	SERIAL NO. TO - FROM
*24	03.143.01	PIN 40 DIA X 120	1	
24	04.174.01	STUD M12 X 38MM	1	
24	05.281.03	FLAT WASHER 12MM PLATED	1	
24	05.953.03	GREASE NIPPLE M10	1	
24	05.968.03	SELF LOCKING NUT M12 (FINE)	1	
25	04.282.09	STUD M10 X 85MM	1	
25	05.282.02	SPRING WASHER 10MM PLATED	1	
25	05.286.02	NUT M10 PLATED	1	
*25	06.430.05	HOSE CLAMP 38 X 28	2	
26	04.282.32	STUD M8 X 52	2	
26	05.282.01	SPRING WASHER 8MM PLATED	2	
26	05.286.01	NUT M8 PLATED	2	
*26	06.463.01	PLATE HOSE CLAMP	1	
26	07.045.01	SPACER - HOSE CLAMP	1	
*27	06.466.02	HOSE CLAMP	2	
*28	06.430.02	HOSE CLAMP 14 X 14	2	
*29	06.464.01	PLATE HOSE CLAMP	1	
30	04.282.09	STUD M10 X 85MM	1	
30	05.282.02	SPRING WASHER 10MM PLATED	1	
30	05.286.02	NUT M10 PLATED	1	
*30	06.430.05	HOSE CLAMP 38 X 28	2	
31	04.282.32	STUD M8 X 52	2	
31	05.282.01	SPRING WASHER 8MM PLATED	2	
31	05.286.01	NUT M8 PLATED	2	
*31	06.463.01	PLATE HOSE CLAMP	1	
31	07.045.01	SPACER - HOSE CLAMP	1	
*32	06.466.02	HOSE CLAMP	2	
*33	06.430.02	HOSE CLAMP 14 X 14	2	
*34	06.464.01	PLATE HOSE CLAMP	1	
<u>71.082.01</u>		<u>INTERMEDIATE BEAM</u>		
*40	02.880.02	INTERMEDIATE BEAM	1	
*41	02.771.04	TENSION BUSH 40 X 35 X 40	2	
*42	02.871.01	PIN 40 DIA X 382MM	1	
42	03.068.01	SPECIAL SETSCREW M12 X 25	1	
42	03.156.01	WASHER 50 O/D X 13 I/D X 9MM	1	
42	03.786.01	INSTRUCTION PLATE-GREASE M6	1	
42	03.786.02	INSTRUCTION PLATE-GREASE M10	1	
42	04.174.01	STUD M12 X 38MM	1	
42	05.281.03	FLAT WASHER 12MM PLATED	1	
42	05.282.03	SPRING WASHER 12MM PLATED	1	
42	05.953.01	GREASE NIPPLE M6	1	
42	05.953.03	GREASE NIPPLE M10	1	
42	05.968.03	SELF LOCKING NUT M12 (FINE)	1	

*MAIN PART IN GROUP, RELATED PARTS HAVE SAME REFERENCE NUMBER.

FIRST RAM BRACKET, FIRST ARM AND INTERMEDIATE BEAM

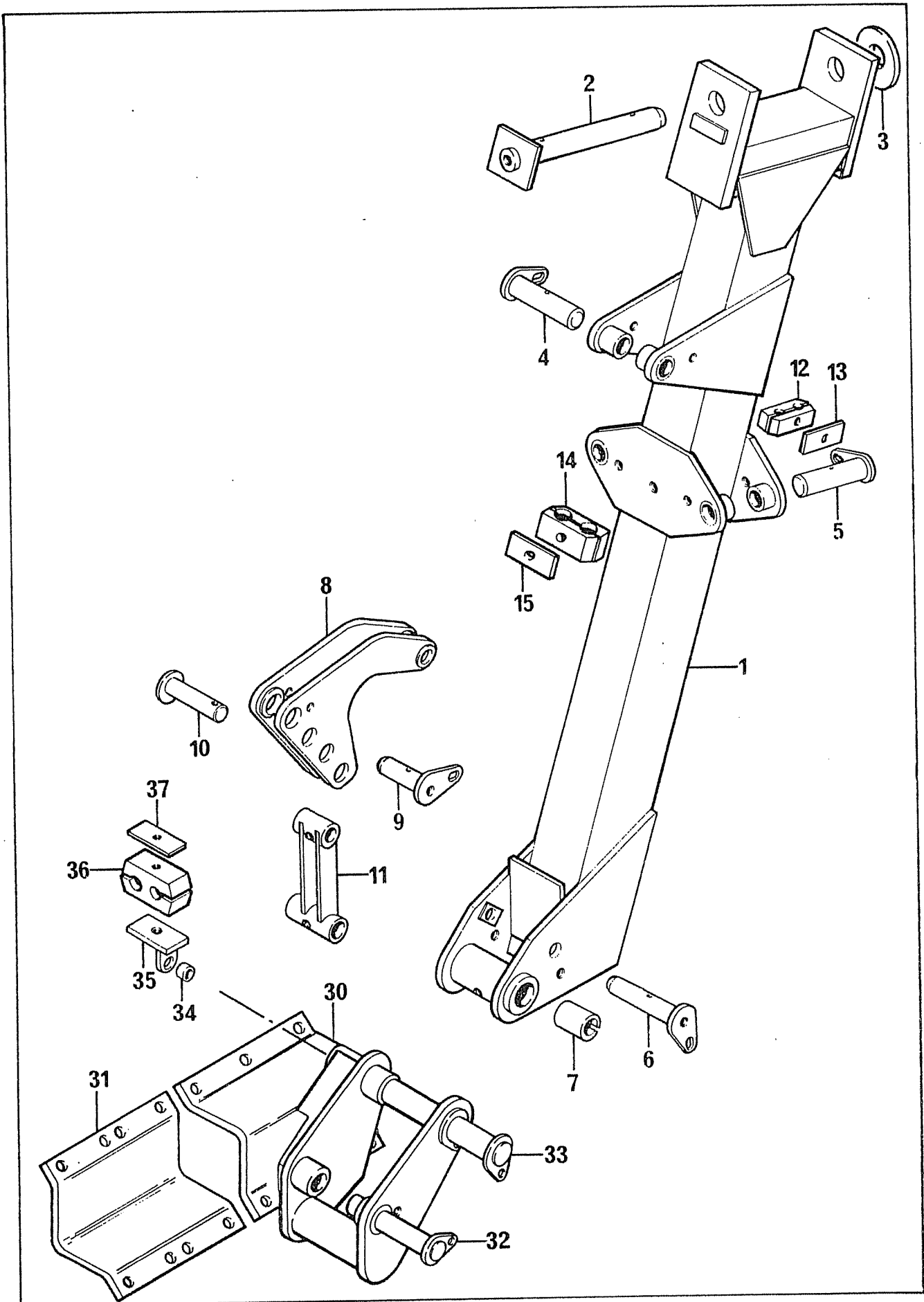


FIRST RAM BRACKET, FIRST ARM AND INTERMEDIATE BEAM

REF	PART NO.	DESCRIPTION	QTY	SERIAL NO. TO - FROM
*43	02.852.01	PIN 35 DIA X 105MM	1	
43	03.786.02	INSTRUCTION PLATE-GREASE M10	1	
43	04.174.01	STUD M12 X 38MM	1	
43	05.281.03	FLAT WASHER 12MM PLATED	1	
43	05.953.03	GREASE NIPPLE M10	1	
43	05.968.03	SELF LOCKING NUT M12 (FINE)	1	
*44	02.839.01	PIN 30 DIA X 76MM	1	
44	03.786.02	INSTRUCTION PLATE-GREASE M10	1	
44	04.175.01	STUD M10 X 35MM	1	
44	05.281.02	FLAT WASHER 10MM PLATED	1	
44	05.953.03	GREASE NIPPLE M10	1	
44	05.968.02	SELF LOCKING NUT M10 (FINE)	1	

*MAIN PART IN GROUP, RELATED PARTS HAVE SAME REFERENCE NUMBER.

SECOND ARM AND COWL BRACKET

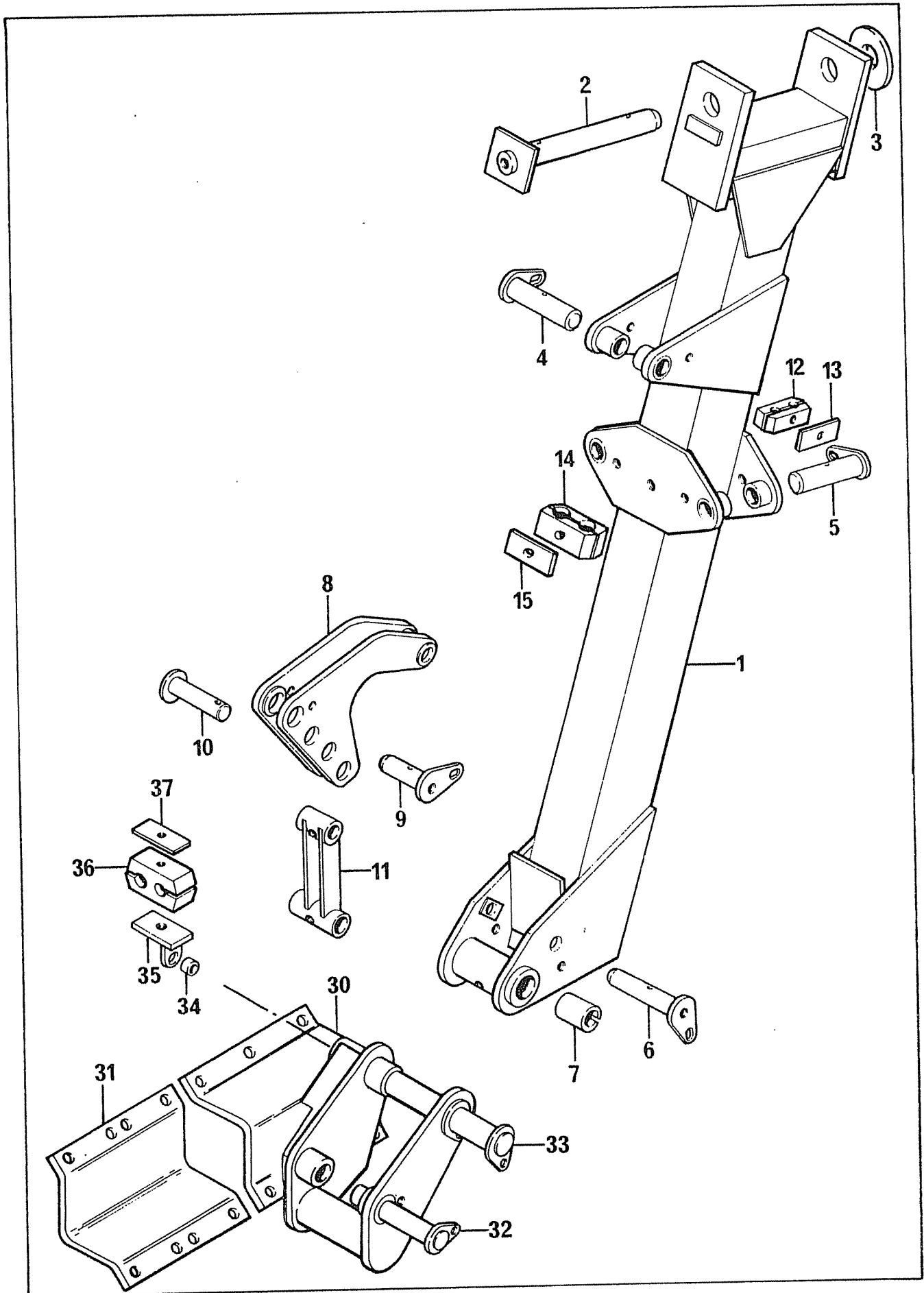


SECOND ARM AND COWL BRACKET

REF	PART NO.	DESCRIPTION	QTY	SERIAL NO. TO - FROM
<u>71.693.01</u>		<u>SECOND ARM</u>		
01	05.953.03	GREASE NIPPLE M10	1	
*01	06.962.01	ARM - SECOND	1	
*02	02.870.01	PIN 35 DIA X 248MM	1	
02	03.068.01	SPECIAL SETSCREW M12 X 25	1	
02	03.786.01	INSTRUCTION PLATE-GREASE M6	1	
02	03.786.02	INSTRUCTION PLATE-GREASE M10	1	
02	05.953.01	GREASE NIPPLE M6	1	
02	05.953.03	GREASE NIPPLE M10	1	
*03	03.156.01	WASHER 50 O/D X 13 I/D X 9MM	1	
*04	02.875.01	PIN 35 DIA X 110MM	1	
04	03.786.02	INSTRUCTION PLATE-GREASE M10	1	
04	04.174.01	STUD M12 X 38MM	1	
04	05.281.03	FLAT WASHER 12MM PLATED	1	
04	05.953.03	GREASE NIPPLE M10	1	
04	05.968.03	SELF LOCKING NUT M12 (FINE)	1	
*05	03.098.01	PIN 30 DIA X 115	1	
05	03.786.02	INSTRUCTION PLATE-GREASE M10	1	
05	04.175.01	STUD M10 X 35MM	1	
05	05.281.02	FLAT WASHER 10MM PLATED	1	
05	05.953.03	GREASE NIPPLE M10	1	
05	05.968.02	SELF LOCKING NUT M10 (FINE)	1	
*06	03.098.01	PIN 30 DIA X 115	1	
06	03.786.02	INSTRUCTION PLATE-GREASE M10	1	
06	04.175.01	STUD M10 X 35MM	1	
06	05.281.02	FLAT WASHER 10MM PLATED	1	
06	05.953.03	GREASE NIPPLE M10	1	
06	05.968.02	SELF LOCKING NUT M10 (FINE)	1	
*07	02.771.03	TENSION BUSH 45 X 40 X 50	2	
*08	04.068.01	LINK-RAM	1	
*09	02.864.01	PIN 35 DIA X 76MM	1	
09	03.786.02	INSTRUCTION PLATE-GREASE M10	1	
09	04.174.01	STUD M12 X 38MM	1	
09	05.281.03	FLAT WASHER 12MM PLATED	1	
09	05.953.03	GREASE NIPPLE M10	1	
09	05.968.03	SELF LOCKING NUT M12 (FINE)	1	
10	00.372.01	LINCH PIN	1	
*10	02.877.01	PIN 30 DIA X 99MM	1	
*11	02.831.02	LINK-COWL	1	
11	05.953.01	GREASE NIPPLE M6	1	
12	05.281.01	FLAT WASHER 8MM PLATED	1	
12	05.282.01	SPRING WASHER 8MM PLATED	1	
12	05.286.01	NUT M8 PLATED	1	
12	05.291.07	BOLT M8 X 60MM PLATED	1	
*12	06.430.02	HOSE CLAMP 14 X 14	2	
13	05.286.01	NUT M8 PLATED	1	
*13	06.418.02	CLAMP PLATE 30 X 6 PLATED	1	
14	04.282.30	STUD M8 X 85	1	
14	05.281.01	FLAT WASHER 8MM PLATED	1	
14	05.282.01	SPRING WASHER 8MM PLATED	1	
*14	06.430.01	HOSE CLAMP 38 X 28	2	
*15	06.418.01	CLAMP PLATE 95 X 6	1	

*MAIN PART IN GROUP, RELATED PARTS HAVE SAME REFERENCE NUMBER

SECOND ARM AND COWL BRACKET

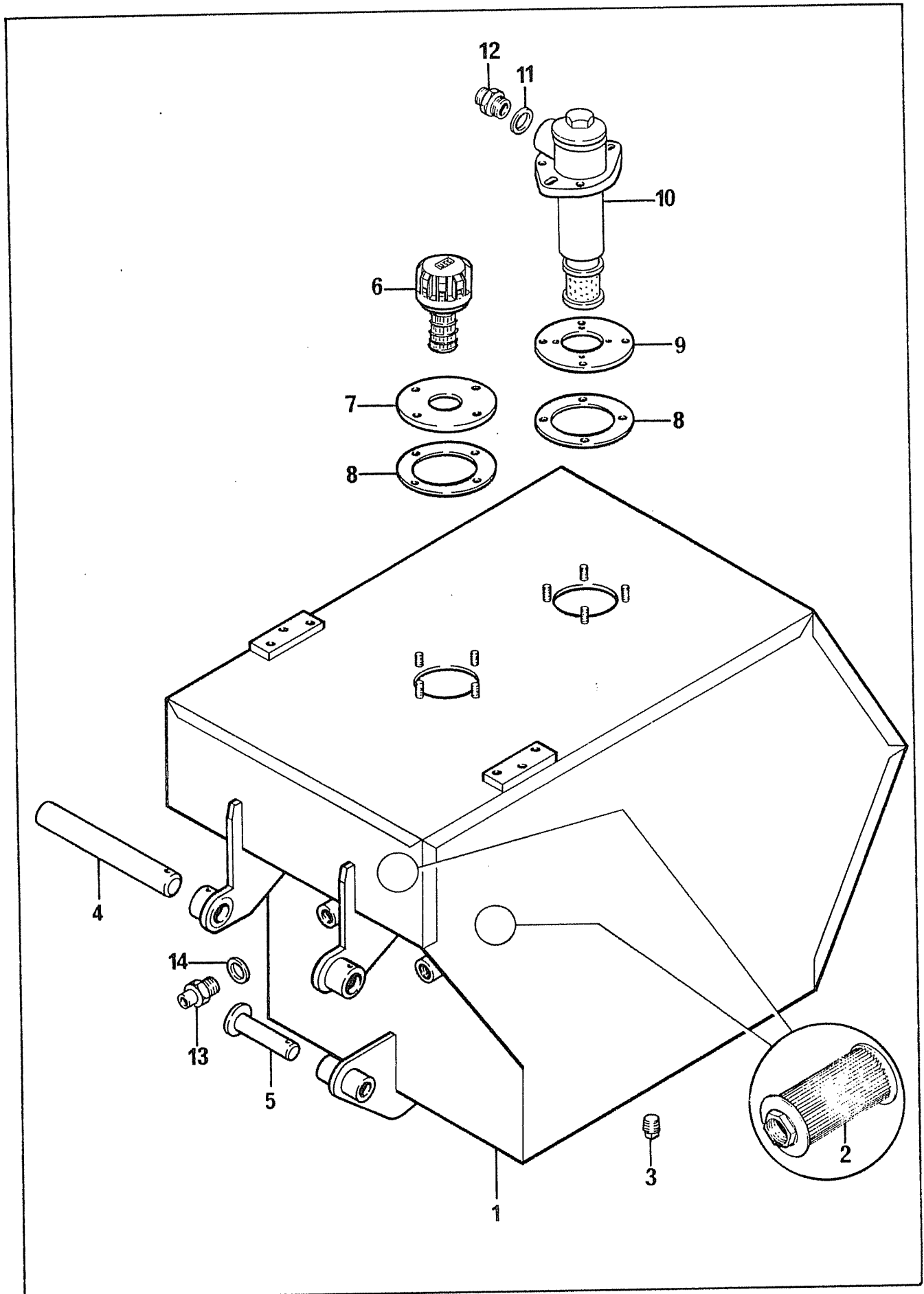


SECOND ARM AND COWL BRACKET

REF	PART NO.	DESCRIPTION	QTY	SERIAL NO. TO - FROM
<u>71.694.01, 71.695.01</u>		<u>COWL BRACKETS LH & RH</u>		
*30	06.968.01	BRACKET - COWL LH	1	
30+	06.968.02	BRACKET - COWL RH	1	
*31	03.836.01	CLAMP-COWL BRKT	5	
31	05.264.25	SETSCREW M12 X 40MM PLATED	5	
31	05.282.03	SPRING WASHER 12MM PLATED	5	
31	05.286.03	NUT M12 PLATED	1	
*32	02.855.01	PIN 30 DIA X 155MM	1	
32	03.786.01	INSTRUCTION PLATE-GREASE M6	1	
32	04.175.01	STUD M10 X 35MM	1	
32	05.281.02	FLAT WASHER 10MM PLATED	1	
32	05.953.01	GREASE NIPPLE M6	1	
32	05.968.02	SELF LOCKING NUT M10 (FINE)	1	
*33	03.656.12	PIN 40 DIA X 241MM	1	
33	04.174.01	STUD M12 X 38MM	1	
33	04.490.01	WASHER 30 O/DX13 I/D X 4MM	1	
33	05.264.25	SETSCREW M12 X 40MM PLATED	1	
33	05.281.03	FLAT WASHER 12MM PLATED	1	
33	05.282.03	SPRING WASHER 12MM PLATED	1	
33	05.968.03	SELF LOCKING NUT M12 (FINE)	1	
*34	04.489.01	SPACER 3/4" O/D X 1/2" I/D X 12MM	1	
35	05.281.01	FLAT WASHER 8MM PLATED	1	
35	05.282.01	SPRING WASHER 8MM PLATED	1	
35	05.286.01	NUT M8 PLATED	1	
*35	06.426.01	BRACKET - HOSE CLAMP	2	
*36	06.430.03	HOSE CLAMP 42 X 32	1	
*37	06.418.01	CLAMP PLATE 95 X 6	1	

+RIGHT HAND MACHINE ONLY

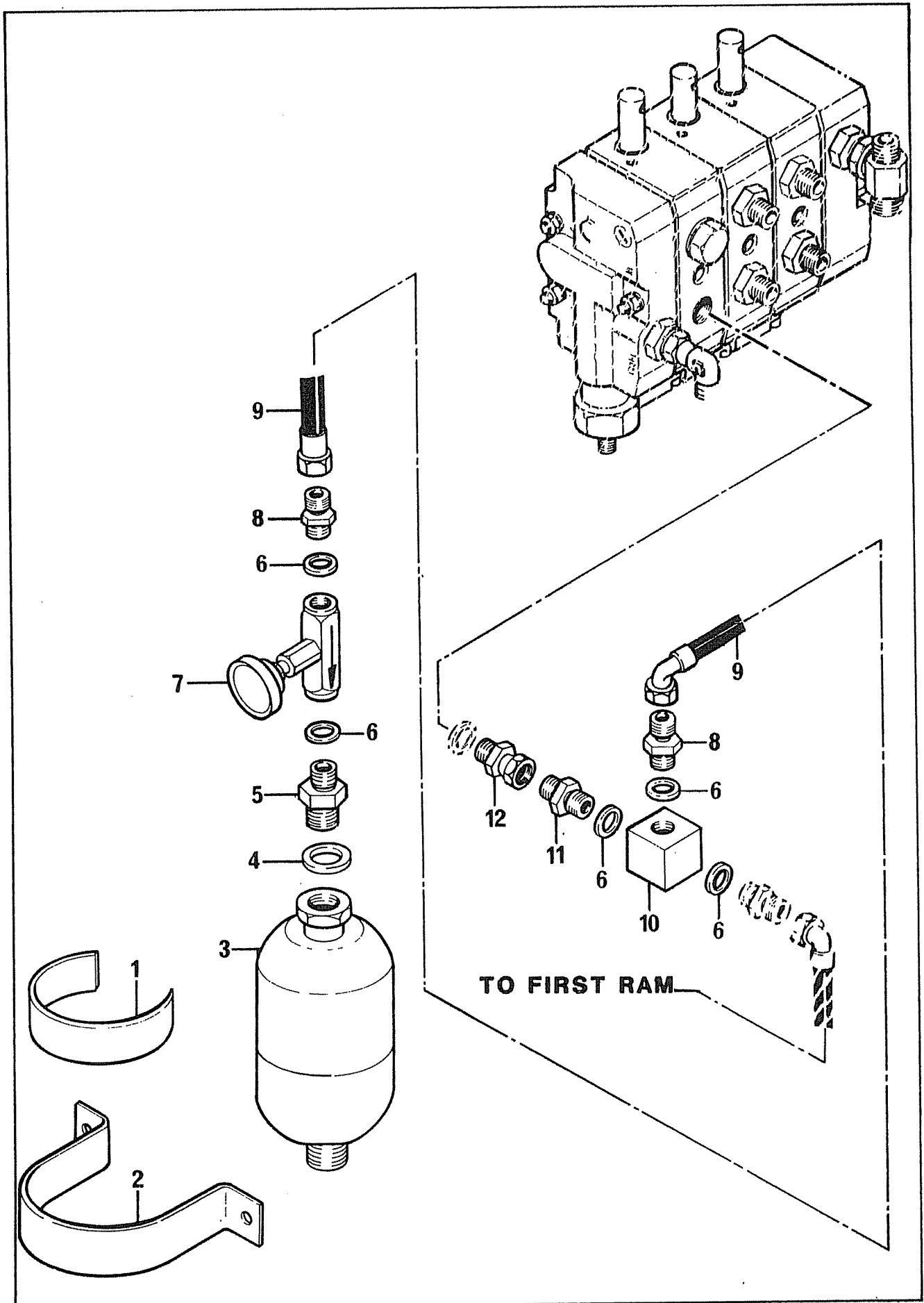
*MAIN PART IN GROUP, RELATED PARTS HAVE SAME REFERENCE NUMBER.



71.696.01

REF	PART NO.	DESCRIPTION	QTY	SERIAL NO. TO - FROM
01	05.281.01	FLAT WASHER 8MM PLATED	8	
01	05.286.01	NUT M8 PLATED	8	
*01	06.963.01	TANK	1	
01	07.003.01	TANK PROD ASSY	-	
*02	05.367.02	FILTER - SUCTION	2	
*03	05.495.01	PLUG 1/2"BSPT	1	
*04	02.896.01	PIN 40 DIA X 276MM	1	
04	05.282.02	SPRING WASHER 10MM PLATED	1	
04	05.286.02	NUT M10 PLATED	1	
04	05.291.19	BOLT M10 X 70MM PLATED	1	
*05	02.884.01	PIN 30 DIA X 110MM	1	
05	05.284.26	SPLIT COTTER 6.3MM X 50MM	1	
*06	06.966.01	BREATHER CAP AND STRAINER ASSY	1	
*07	06.967.01	PLATE - FILLER	1	
*08	03.823.01	GASKET	2	
*09	03.822.01	PLATE-FILTER MOUNTING	1	
10	05.282.07	SPRING WASHER 6MM PLATED	4	
10	05.625.09	SOCKET-CAPSCREW M6 X 25MM PLATED	4	
*10	06.516.01	FILTER ASSY	1	
10	06.516.03	FILTER ELEMENT	-	
10	06.576.04	GASKET	-	
*11	05.290.07	BONDED SEAL 1"BSP	1	
*12	05.434.01	ADAPTOR 1"BSP X 1"BSP	1	
*13	06.404.01	ADAPTOR 1"BSP X 3/4" DIA	1	
*14	05.290.07	BONDED SEAL 1" BSP	1	

*MAIN PART IN GROUP, RELATED PARTS HAVE SAME REFERENCE NUMBER



ACCUMULATOR KIT

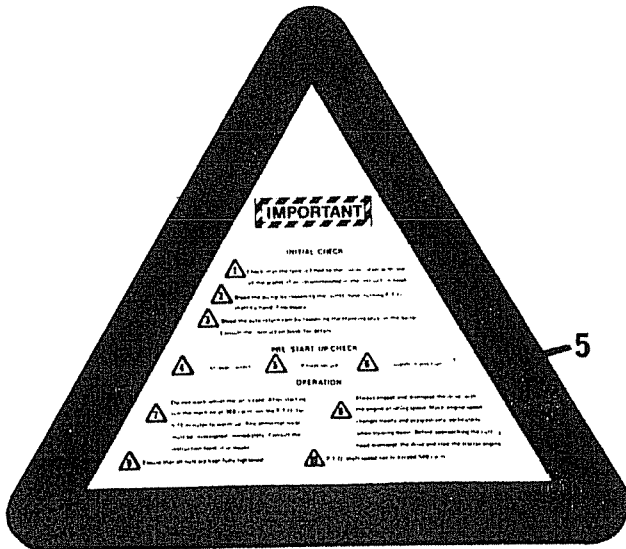
71.715.01

REF	PART NO.	DESCRIPTION	QTY	SERIAL NO. TO - FROM
*01	06.862.01	PACKER-ACCUMULATOR	1	
*02	00.858.01	CLAMP - ACCUMULATOR	1	
02	05.264.12	SETSCREW M10 X 25MM PLATED	2	
02	05.282.02	SPRING WASHER 10MM PLATED	2	
02	05.286.02	NUT M10 PLATED	2	
*03	06.861.02	ACCUMULATOR 0.7 LTR (40 BAR)	1	
*04	05.290.05	BONDED SEAL 1/2"BSP	1	
*05	05.123.01	ADAPTOR 1/2" BSP X 3/8" BSP	1	
*06	05.290.04	BONDED SEAL 3/8"BSP	5	
*07	05.176.01	ISOLATOR VALVE ASSY 3/8"BSP	1	
*08	01.099.01	ADAPTOR 3/8BSP X 1/4BSP	2	
*09	05.990.16	HOSE 1/4"BSP X 800MM 90 X ST	1	
*10	00.954.01	DISTRIBUTION BLOCK - 3 PORT	1	
*11	03.028.01	RESTRICTOR 3/8BSP X 3/8BSP	1	
*12	02.714.01	ADAPTOR-SWIVEL ST 3/8BSP M/F	1	


*MAIN PART IN GROUP, RELATED PARTS HAVE SAME REFERENCE NUMBER

BOMFORD

B498



CRANE LIFTING CAPACITY
 DRY WEIGHT OF THIS UNIT DOES NOT EXCEED
1000 Kg. (2200 lbs)
 FOR OPERATIONAL WEIGHT ADD ATTACHMENTS, OIL, ETC.
 If in doubt contact Bomford & Evershed Ltd. 04 007 05

**LIFT FROM POINTS
 MARKED WITH** 
**SUITABLE FOR PRE-ASSEMBLY
 TRANSIT ONLY**

APPROVED OILS FOR USE IN BOMFORD HYDRAULIC MACHINES

The following oils are approved for use in any Bomford hydraulic machine. Any variation from this list will invalidate warranty on the hydraulic equipment.

Amstar	Agria FM 10W 30	E
BP	Energol SHF 32 (ISO)	H
	Energol SHF 46 (ISO)	H
	Energol HLP 12 (ISO)	H
Caltex	Rando 100 68	H
	Free Star Motor Oil 10W	E
	RPM Deba 200 10W	H
Castrol	Hyspan AW 11 68 (incl AWS 68)	H
	Hyspan AW 11 88 (incl AWS 88)	H
	Agricultural Multi Use 10W 30 (not 20 30)	E
	Agricultural Hydraulic Oil	H
Century Oils	Nerva 10	H
Comesa Oil	Comesa LHC 10 Hydraulic Oil	H
Dialon	Silcolene Grade 319	H
Dackhams	Flewell Mulberry 10W 30	E
	Farm Hydraulic Oil No 4	H
	Zaxxon Oil	H
Elf	Multipurpose 28 10W 30	E
	Olia 68	H
	Hydrol 32	H
	Hydrol 68	H
Esso	Unirea RM	H
Extrase	Hydraulic Oil 10W 30	H
Gulf	Gulfube Moco Oil SHD 10W 30	E
	Oil Hydraulic 32	H
	Moco C2 10W 30	E
	Hydro 68	H
Ino-Balkan	Alpha CF 10W 30	E
Lorco	TUT 44 Fourfold Treated Hydraulic Oil	H
Mobil	DTE 15	H
Petrobra	Fina Deba Multi-grade 10W 30	E
	Fina Hydram 32	H
	Fina Hydram 68	H
Shell	Telbar T 68	H
	Telbar T 22	H
Tetaco	Rando AZ 32	H
	Rando CZ 68	H
	H Anti-wear Hydraulic oil	E
	APISE engine oil	E

For UK operators it is strongly recommended that oils should be used meeting classification H. Any lubricant based grease can be used for lubricating grease nipples.

02 783 03

**BOMFORD
 IMPORTANT**

NEW MACHINE. Check that the tank is filled to the correct level with one of the grades of oil recommended in the instruction book. Bleed the pump by loosening the outlet hose, turning P.T.O. shaft by hand if necessary.

BEFORE STARTING. Check: 1) Oil level correct
 2) Knives secure
 3) Guards in position

COLD START. Do not work whilst the oil is cold. After starting run the machine at 360r.p.m. on the P.T.O. for 5-10 minutes to warm up. Any abnormal noise must be investigated immediately. Consult the instruction book if in doubt.

OPERATION. Always engage and disengage the drive with the engine at idling speed. Make engine speed changes slowly and progressively, particularly when slowing down. Before approaching the cutting head disengage the drive and stop the tractor engine.

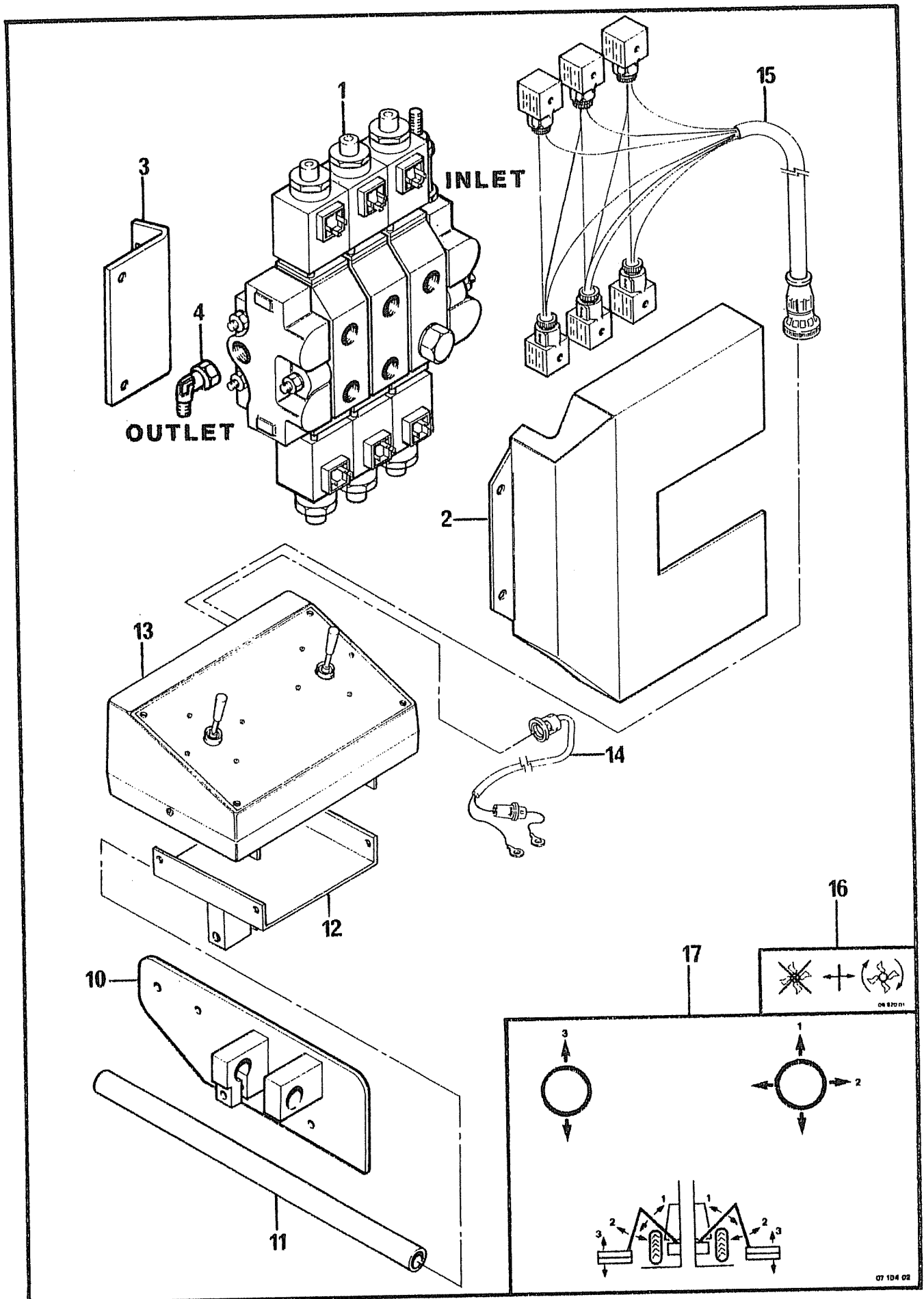


71.697.02

REF	PART NO.	DESCRIPTION	QTY	SERIAL NO. TO - FROM
*02	07.523.03	DECAL - BOMFORD B498 LH	1	
02	07.523.04	DECAL - BOMFORD B498 RH	1	
*03	02.783.03	DECAL - APPROVED OILS	1	
*05	02.737.03	DECAL SET - ENGLISH	1	
*06	06.007.05	DECAL - WEIGHT 1000KG	1	
*07	03.785.01	DECAL - GREASE	4	
*08	02.948.01	DECAL - LIFTING POINT INST	1	
*09	02.950.01	DECAL - LIFTING POINT	2	

*MAIN PART IN GROUP, RELATED PARTS HAVE SAME REFERENCE NUMBER.

CONTROL VALVE AND REMOTE CONTROL



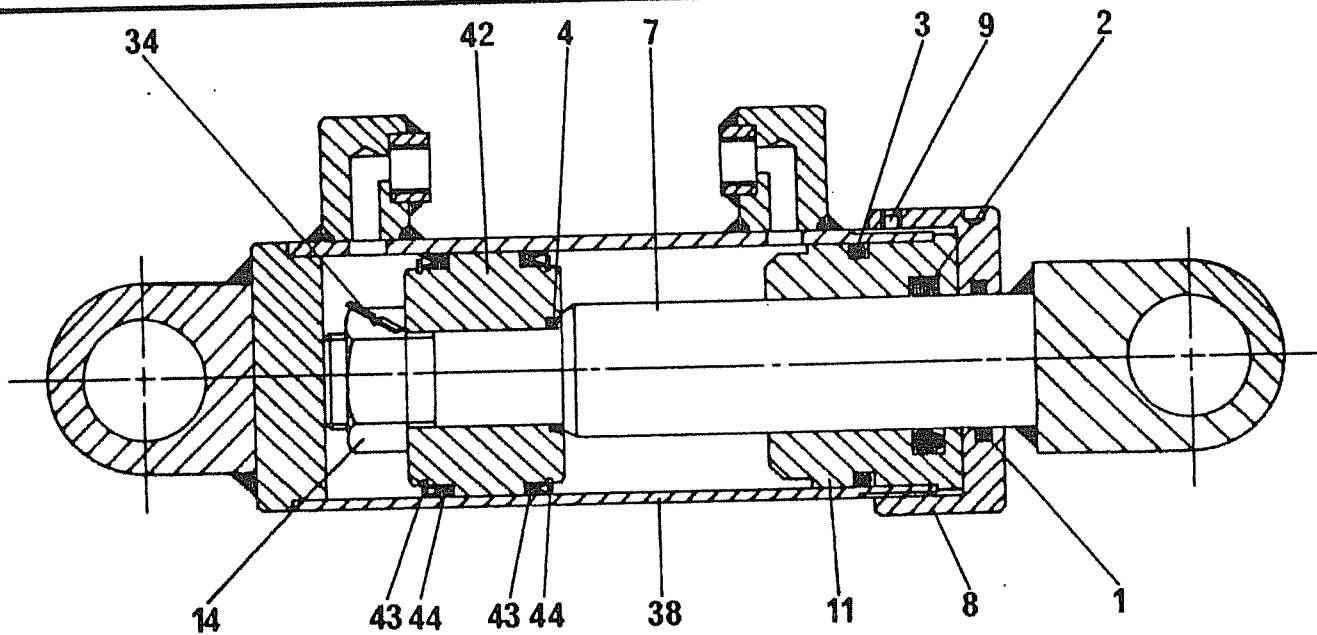
CONTROL VALVE AND REMOTE CONTROL

REF	PART NO.	DESCRIPTION	QTY	SERIAL NO. TO - FROM
<u>71.822.01</u>		<u>CONTROL VALVE</u>		
*01	07.263.01	SOLENOID OPER.CONT.VALVE ASSY	1	
01	07.100.02	SEAL KIT FOR 07.263.01 VALVE	-	
02	05.264.12	SETSCREW M10 X 25MM PLATED	3	
*02	07.388.01	GUARD - VALVE COVER	1	
03	05.264.12	SETSCREW M10 X 25MM PLATED	2	
03	05.282.02	SPRING WASHER 10MM PLATED	2	
03	05.286.02	NUT M10 PLATED	2	
*03	07.389.01	PLATE - COVER MOUNT	1	
*04	05.835.04	ADAPTOR - SWIVEL 90° 1/4" BSP M/F	1	
<u>71.823.01</u>		<u>REMOTE CONTROL</u>		
10	05.264.02	SETSCREW M8 X 25MM PLATED	2	
10	05.281.01	FLAT WASHER 8MM PLATED	5	
10	05.291.07	BOLT M8 X 60MM PLATED	3	
10	05.948.07	WING NUT M 8	5	
*10	06.663.01	BRACKET-JOYSTICK MOUNTING	1	
*11	07.101.01	ROD - CONTROL BOX MOUNTING	1	
12	05.281.01	FLAT WASHER 8MM PLATED	1	
12	05.282.01	SPRING WASHER 8MM PLATED	1	
12	05.291.07	BOLT M8 X 60MM PLATED	1	
12	05.948.07	WING NUT M 8	1	
*12	07.076.01	BRACKET - CONTROL BOX MOUNTING	1	
13	05.293.01	SPRING WASHER 1/4" PLATED	4	
13	05.839.05	SETSCREW M6 X 16MM	4	
13	05.948.24	NUT M6 X 1	4	
*13	07.264.01	JOYSTICK CONTROL BOX	1	
*14	06.616.01	CABLE ASSY - 2 CORE X5.5M	1	
14	06.616.02	FUSE - 15A IN-LINE	-	
*15	07.265.01	WIRING HARNESS	1	
*16	06.820.01	DECAL-ROT.SHAFT CONTROL LEVER	1	
*17	07.104.02	DECAL - JOYSTICK OPERATION	1	

*MAIN PART IN GROUP, RELATED PARTS HAVE SAME REFERENCE NUMBER.

FIRST RAM 02.901.36

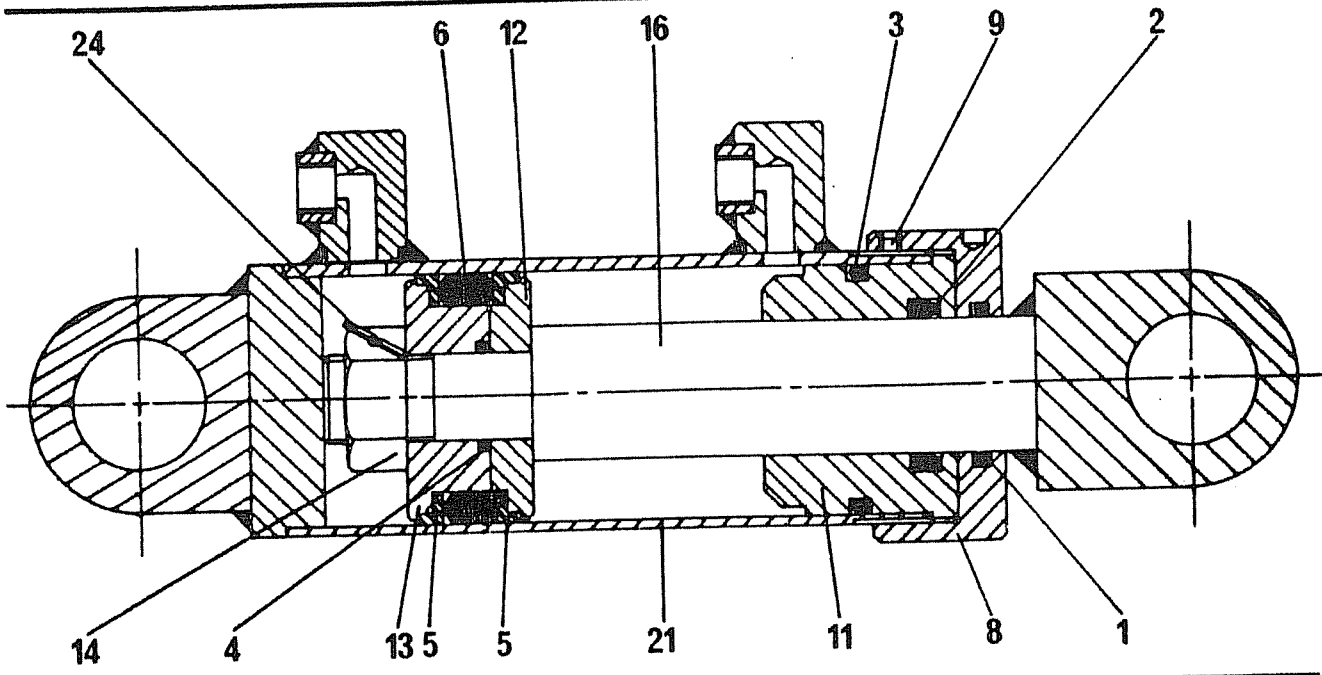
DOUBLE ACTING RAM 90mm BORE 445mm STROKE



REF	PART NO.	DESCRIPTION	QTY
00	02.901.38	SEAL KIT (02.901.36 RAM) COMPRISING ITEMS 1 - 4 & 44	-
*01	03.455.01	SEAL - WIPER 69 X 49 X 8	1
*02	03.454.01	SEAL - PRESSURE 66 X 48 X 10	1
*03	03.456.02	O-RING 78 I/D X 6	1
*04	03.456.01	O-RING 32 I/D X 3	1
07	02.901.01	RAM ROD 50MM DIA.	1
08	02.901.02	CYLINDER CAP	1
09	05.388.03	SOCKET GRUBSCREW M6 X 6MM	1
11	02.901.03	FRONT INSERT	1
14	05.286.07	NUT M30	1
34	05.284.99	SPLIT COTTER 5/32" X 2.1/2"	1
38	02.901.37	CYLINDER (90 DEG PORT)	1
42	02.901.45	PISTON (CAST)	2
43	02.901.46	RETAINING RING	2
*44	02.901.47	SEAL - PRESSURE	2

* ITEMS NOT AVAILABLE SEPARATELY - SEE 02.901.38 SEAL KIT

SECOND RAM 02.902.18
DOUBLE ACTING RAM 70mm BORE 615mm STROKE

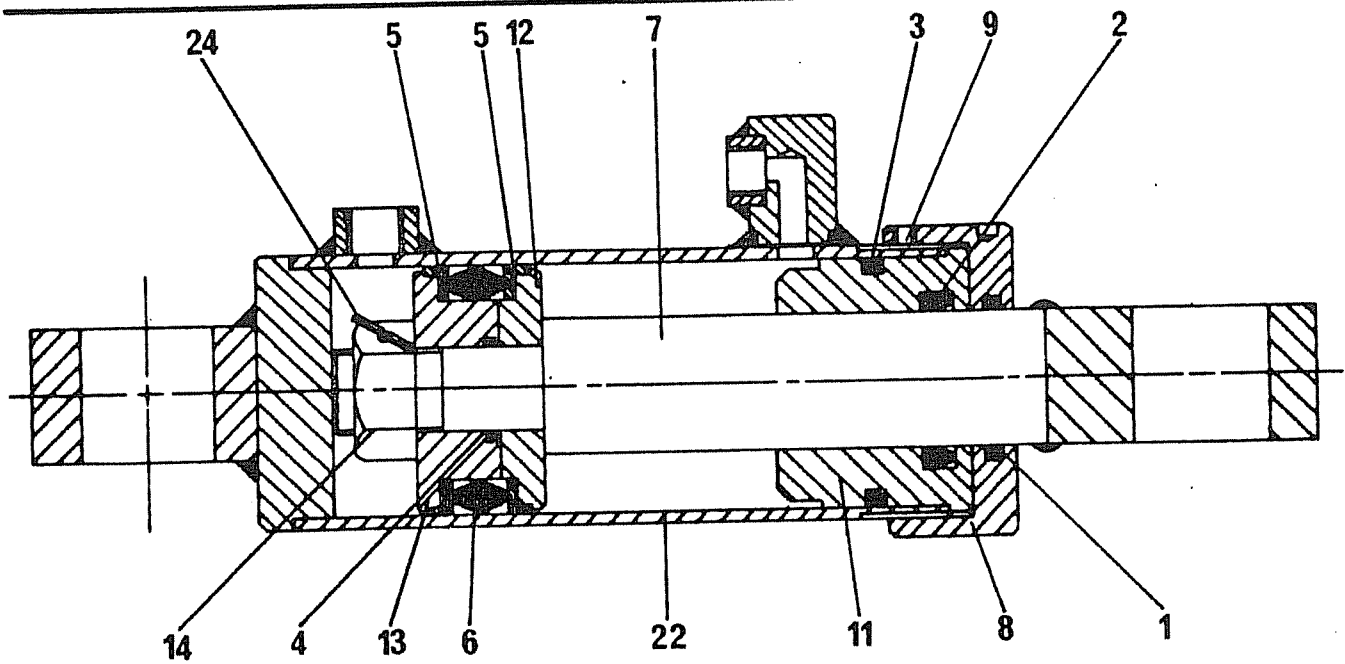


REF	PART NO.	DESCRIPTION	QTY
00	02.902.08	SEAL KIT (02.902.18 RAM) COMPRISING ITEMS 1 - 6	-
*01	03.455.02	SEAL - WIPER 52 X 39 X 8	1
*02	03.454.02	SEAL - INSERT 50 X 39 X 10	1
*03	03.456.04	O-RING 58 I/D X 6	1
*04	03.456.03	O-RING 27 I/D X 3	1
*05	03.453.03	WEAR RING 70 X 50 X 10	2
*06	03.452.04	SEAL - PRESSURE 70 X 50 X 23	1
08	02.902.02	CYLINDER CAP	1
09	05.388.03	SOCKET GRUBSCREW M6 X 6MM	1
11	02.902.03	FRONT INSERT	1
12	02.902.04	BACKING WASHER	1
13	02.902.05	PISTON	1
14	05.286.06	NUT M24	1
16	02.902.09	RAM ROD 40MM DIA.	1
21	02.902.19	CYLINDER	1
24	05.284.98	SPLIT COTTER 5/32" X 2"	1

*ITEMS NOT AVAILABLE SEPARATELY - SEE 02.902.08 SEAL KIT

THIRD RAM 02.902.17

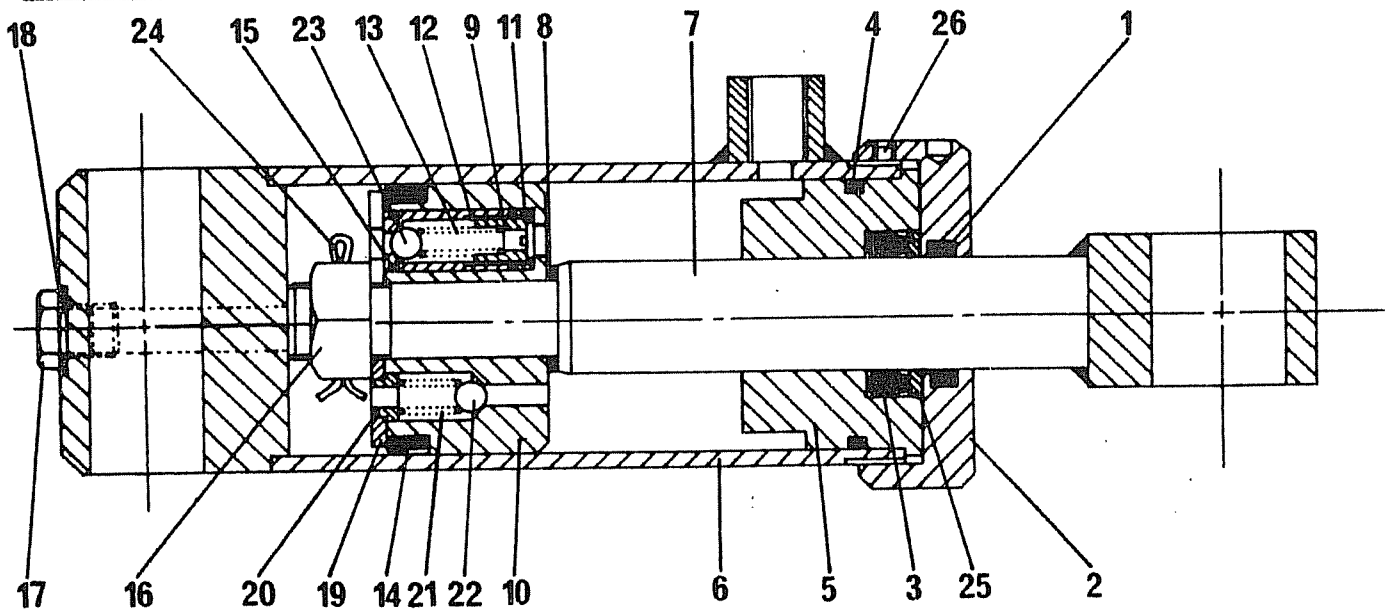
DOUBLE ACTING RAM 70mm BORE 430mm STROKE



REF	PART NO.	DESCRIPTION	QTY
00	02.902.08	SEAL KIT (02.902.17 RAM) COMPRISING ITEMS 1 - 6	-
*01	03.455.02	SEAL - WIPER 52 X 39 X 8	1
*02	03.454.02	SEAL - INSERT 50 X 39 X 10	1
*03	03.456.04	O-RING 58 I/D X 6	1
*04	03.456.03	O-RING 27 I/D X 3	1
*05	03.453.03	WEAR RING 70 X 50 X 10	2
*06	03.452.04	SEAL - PRESSURE 70 X 50 X 23	1
07	02.902.01	RAM ROD 40MM DIA.	1
08	02.902.02	CYLINDER CAP	1
09	05.388.03	SOCKET GRUBSCREW M6 X 6MM	1
11	02.902.03	FRONT INSERT	1
12	02.902.04	BACKING WASHER	1
13	02.902.05	PISTON	1
14	05.286.06	NUT M24	1
22	02.902.20	CYLINDER	1
24	05.284.98	SPLIT COTTER 5/32" X 2"	1

*ITEMS NOT AVAILABLE SEPARATELY - SEE 02.902.08 SEAL KIT

AUTO - RETURN RAM 02.785.19
70mm BORE 201.5mm STROKE



REF	PART NO.	DESCRIPTION	QTY
00	02.785.20	SEAL KIT (02.785.19 RAM) COMPRISING ITEMS 1, 3, 4, 14, 15 & 18	-
00	02.785.21	CARTRIDGE ASSY	1
*01	02.785.01	SEAL - WIPER	1
02	02.785.02	CYLINDER CAP	1
*03	02.785.03	SEAL - RAM ROD	1
*04	02.785.04	O-RING - INSERT	1
05	02.785.05	FRONT INSERT	1
06	02.785.06	CYLINDER	1
07	02.785.07	RAM ROD 30MM DIA.	1
*08	05.290.10	BONDED SEAL 20MM I/D	1
09	02.785.09	ADJUSTING SCREW	1
10	02.785.18	PISTON	1
11	02.785.08	LOCKING COLLAR	1
12	02.785.10	CARTRIDGE BODY	1
13	02.785.11	SPRING 8 DIA X 35	1
*14	02.785.17	SEAL-PRESSURE 70 DIA X 10	1
*15	02.785.12	O-RING - CARTRIDGE	1
16	05.286.05	NUT M20	1
17	02.785.13	PLUG 1/4" BSP	1
*18	05.290.02	BONDED SEAL 1/4" BSP	1
19	02.785.16	BACKING WASHER	1
20	02.785.15	SPIGOT 12 O/D X 6	1
21	00.869.02	SPRING-COMP. 5/16 DIA X 1"	1
22	00.869.03	BALL BEARING 5/16 DIA	1
23	00.869.03	BALL BEARING 5/16 DIA	1
24	05.284.97	SPLIT COTTER 5/32" X 1.3/4"	1
25	02.785.22	ANTI-EX. RING	1
26	05.388.03	SOCKET GRUBSCREW M6 X 6MM	1

*ITEMS NOT AVAILABLE SEPARATELY - SEE 02.785.20 SEAL KIT